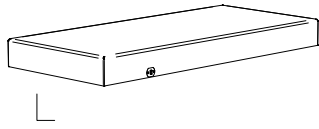
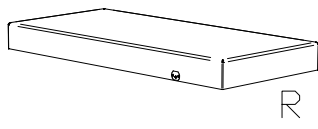


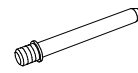
F x1



G x1



H x1



631.016

J x4



793.305

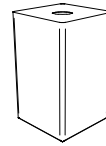
N x2



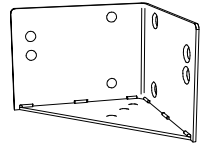
P x2



Q x4



R x4



630.101

S x20



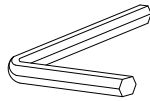
631.872

T x4

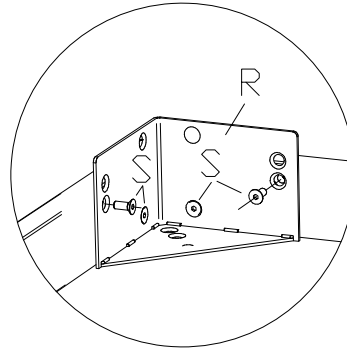


630.778

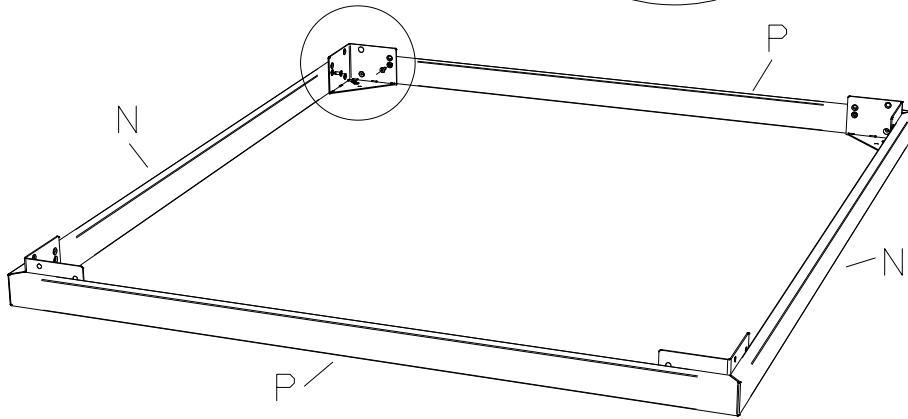
Z x1



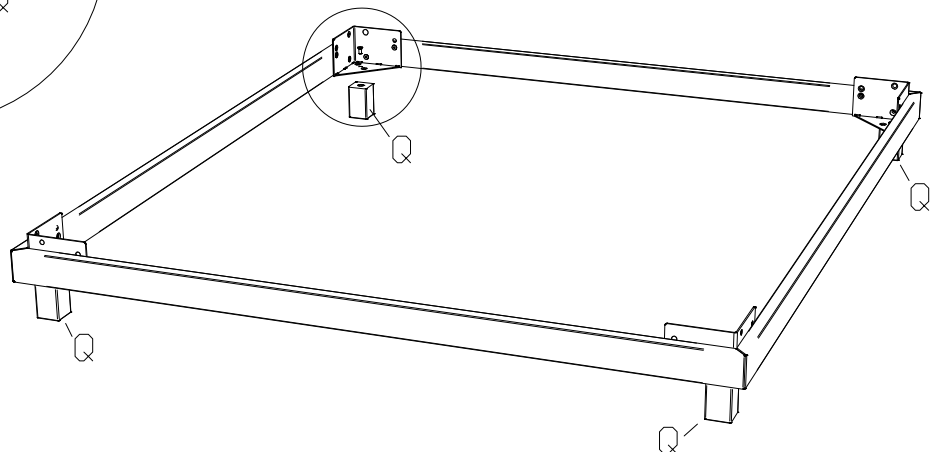
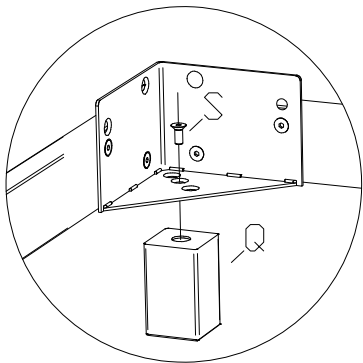
631.100



1.

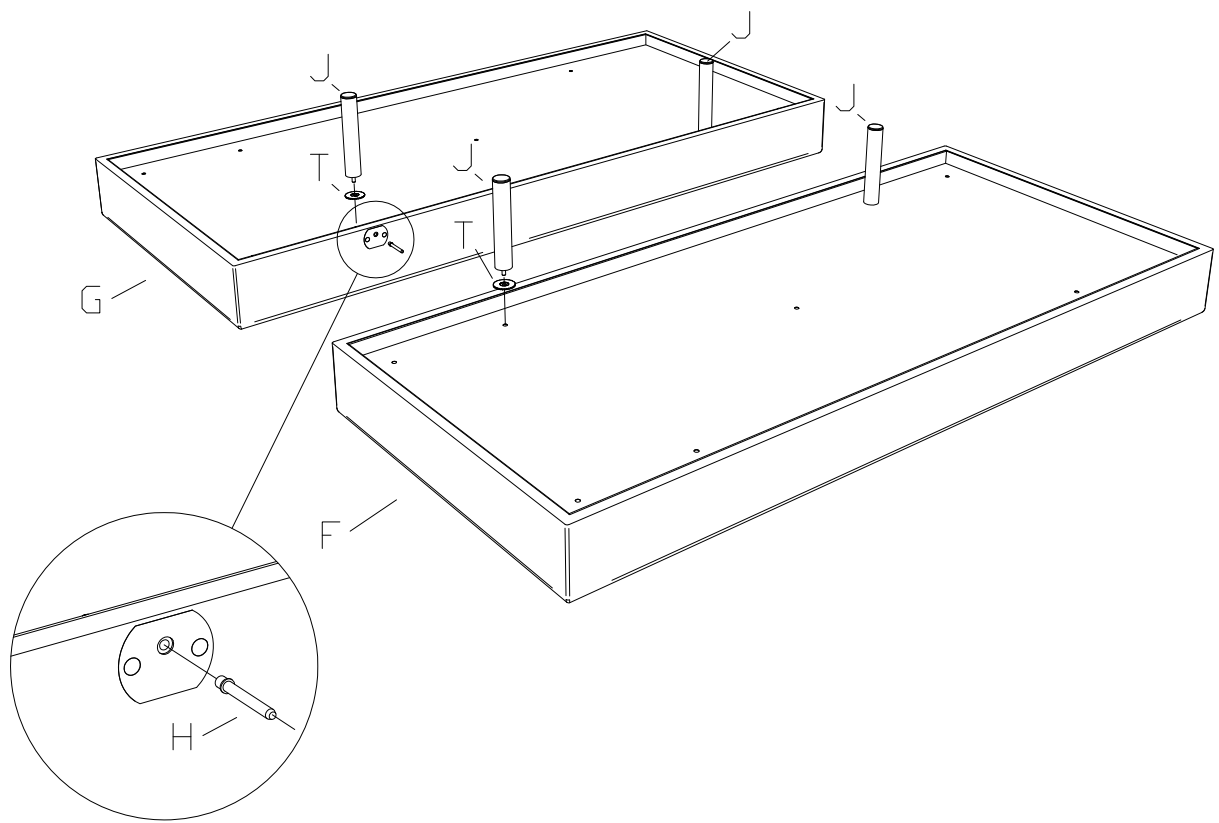


2.



660.00784

3.



4.

