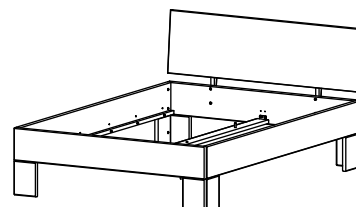
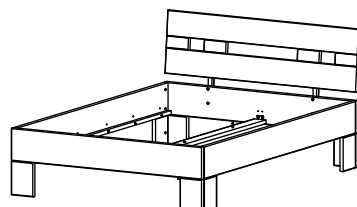
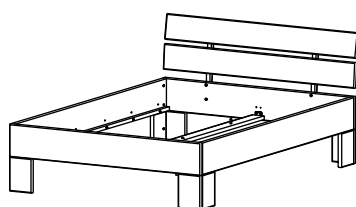
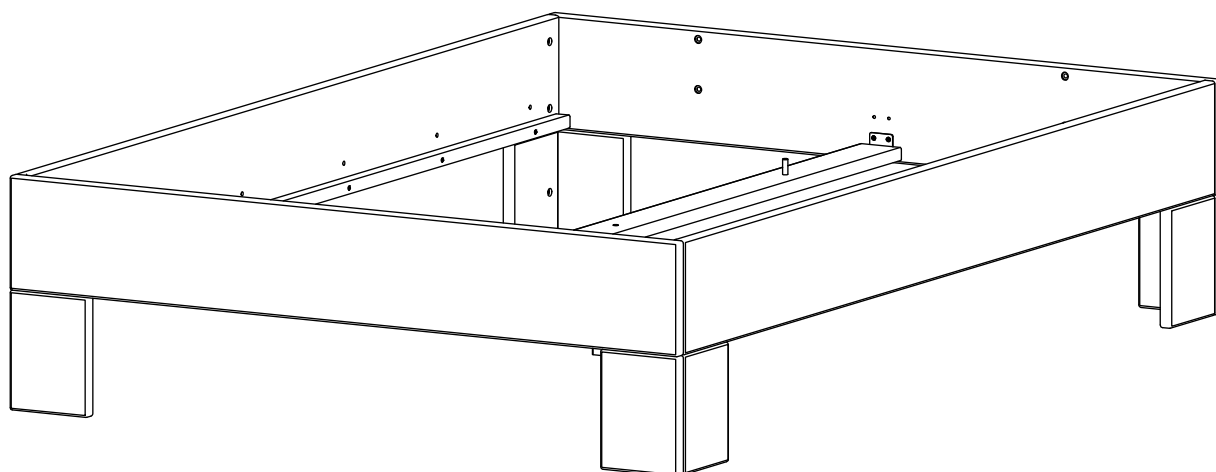
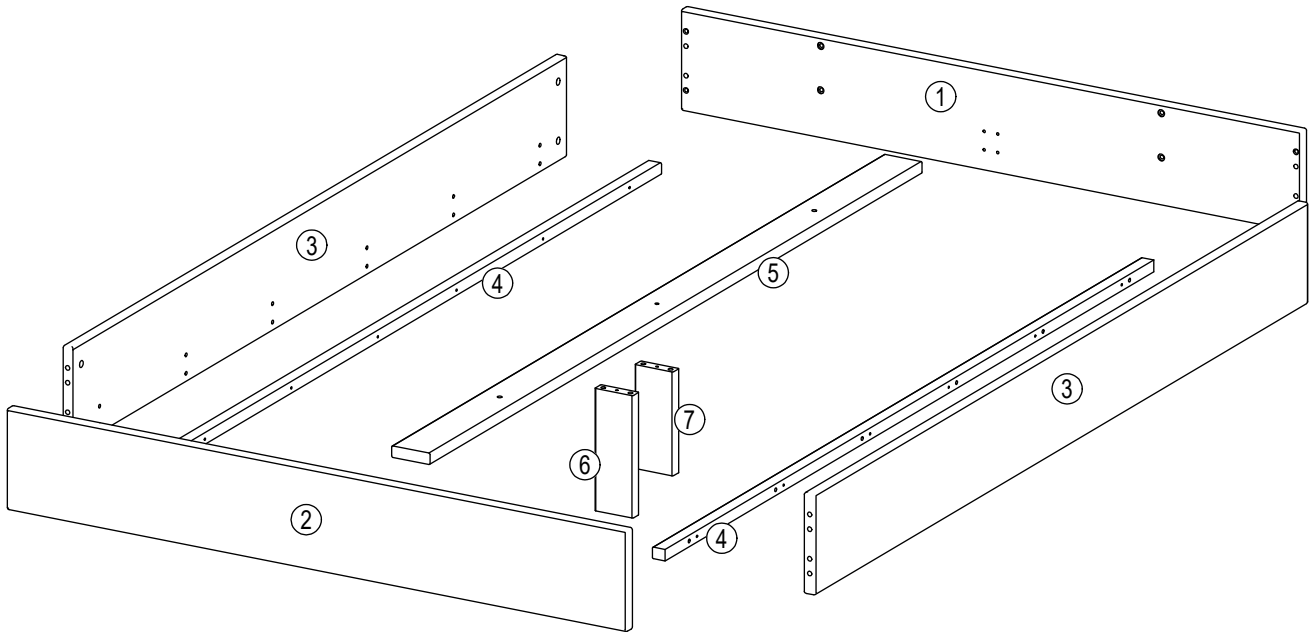

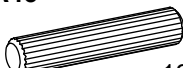

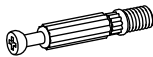


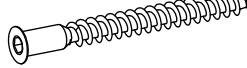

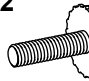
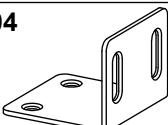



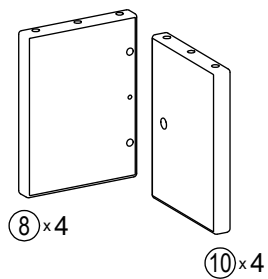
140 x 200 / 220cm  
160 x 200 / 220cm  
180 x 200 / 220cm  
200 x 200 / 220cm





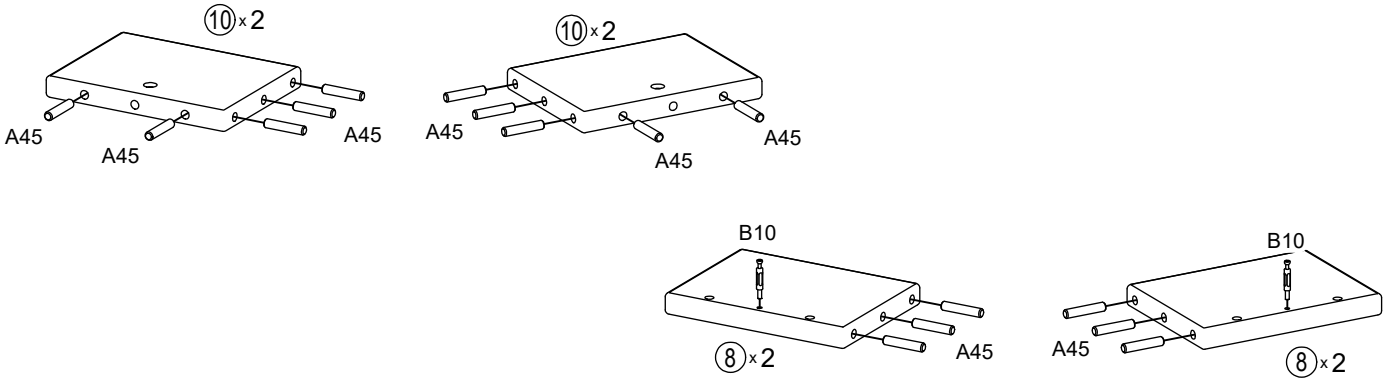
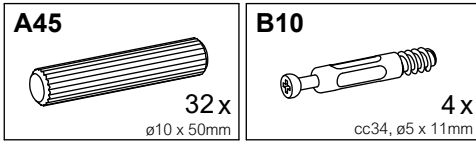
<b>A24</b>  12 x ø8 x 30mm	<b>A45</b>  12 x ø10 x 50mm	<b>B01</b>  8 x ø15 x 12,5mm	<b>B14</b>  8 x cc34, M6 x 7,8mm	
<b>D37</b>  12 x ø4 x 45mm	<b>F66</b>  8 x ø6,2 x 20mm	<b>K11</b>  1 x ø7 x 70mm	<b>M21</b>  1 x M6, ø8,8 x 13,5, ø14mm	<b>Q52</b>  1 x M6 x 22, ø19 x 6mm
<b>V04</b>  2 x 50 x 50 x 40 x 2mm	<b>Z04</b>  1 x 4mm			

901 121

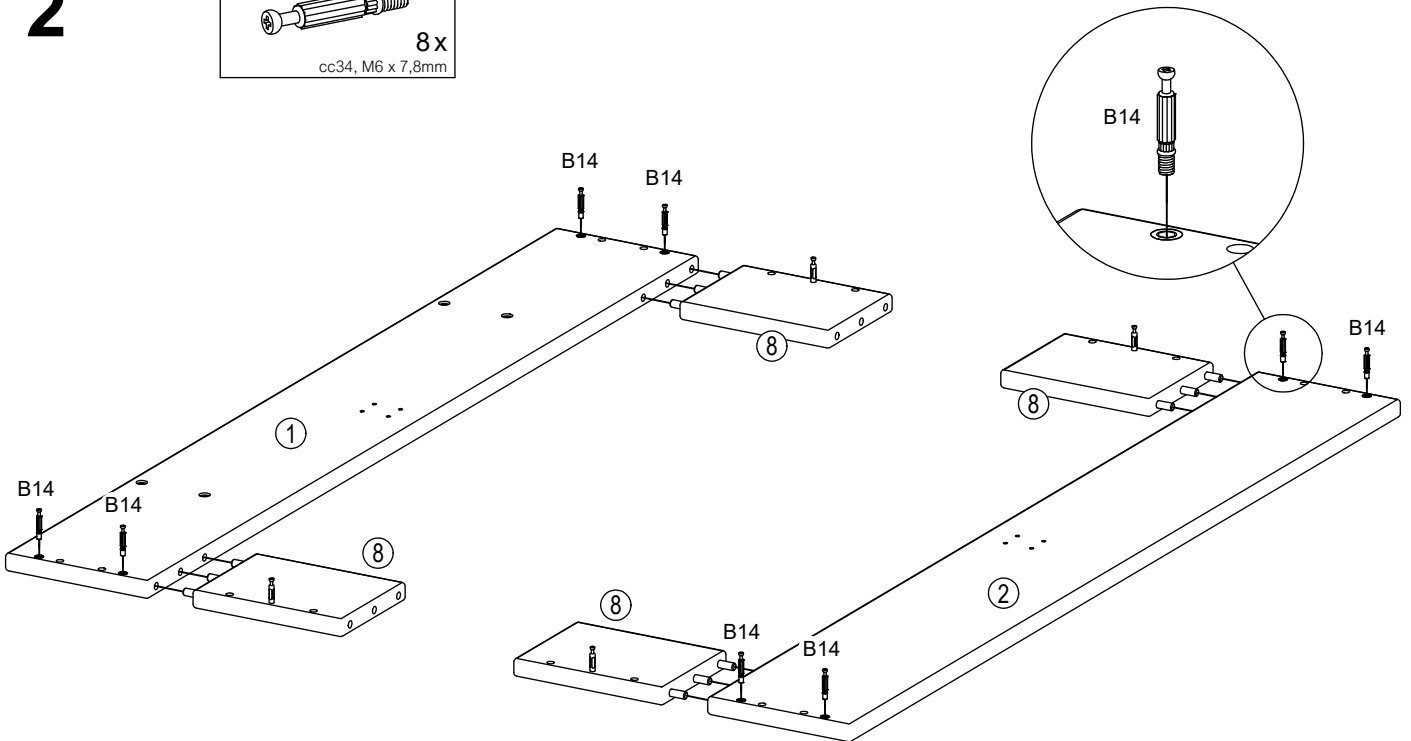
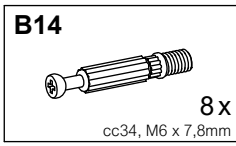


<b>A45</b>  32 x ø10 x 50mm	<b>B01</b>  4 x ø15 x 12,5mm	<b>B10</b>  4 x cc34, ø5 x 11mm
--	--	---

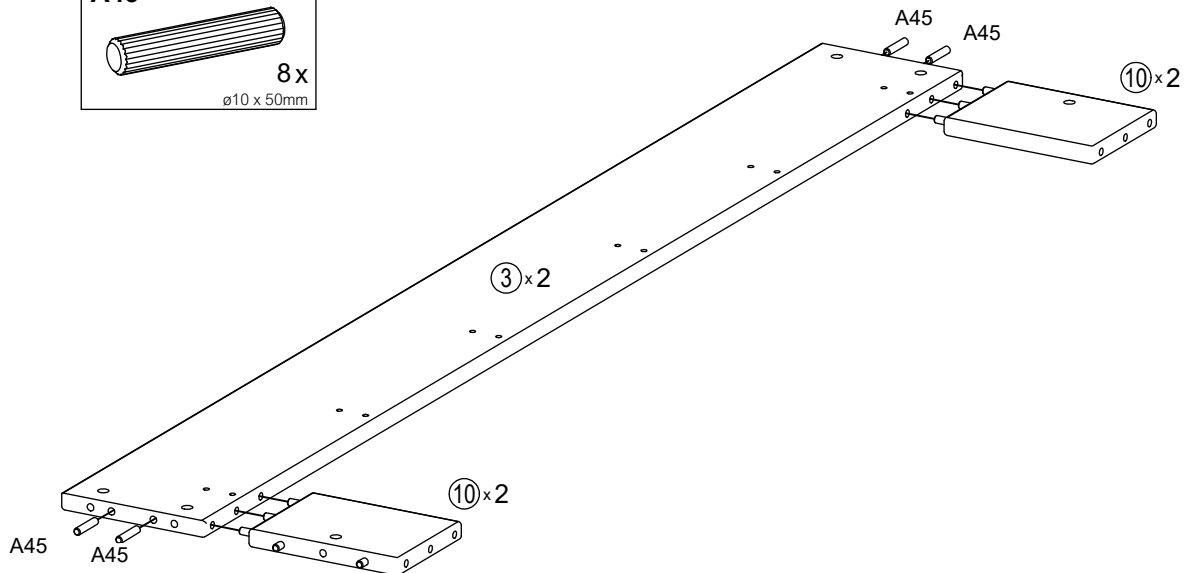
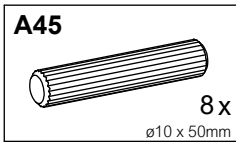
# 1



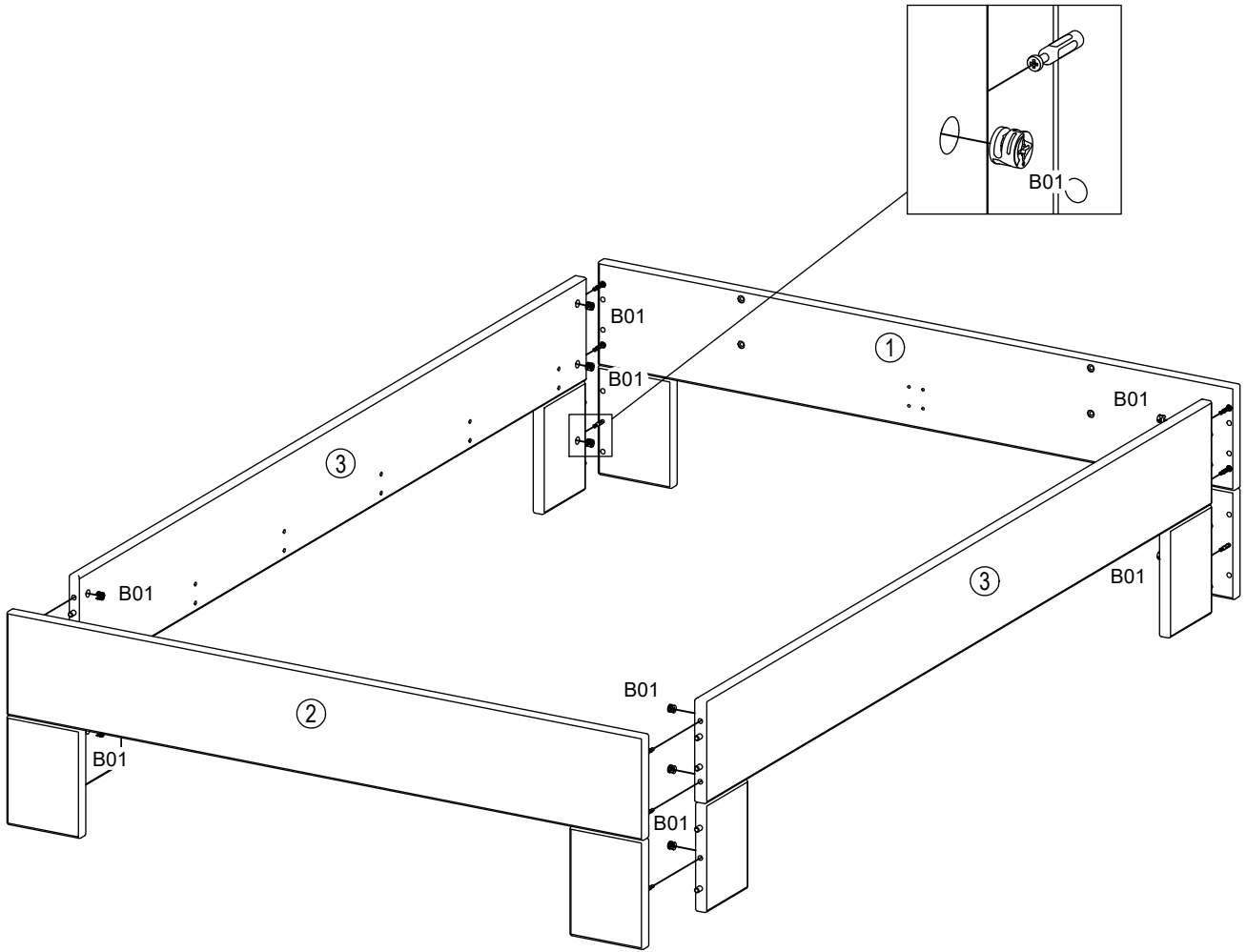
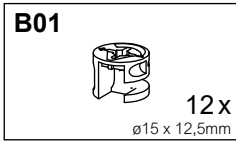
# 2



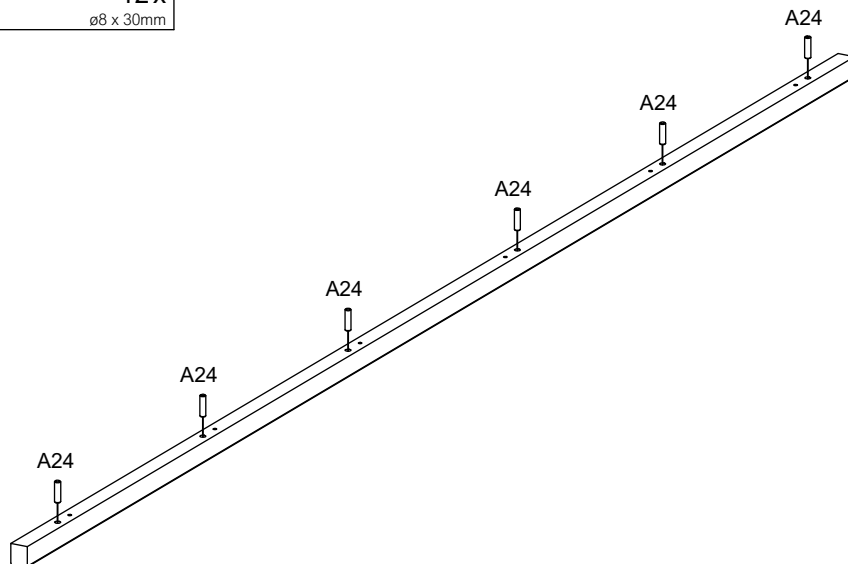
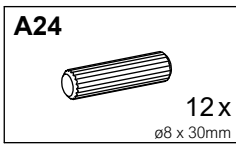
# 3



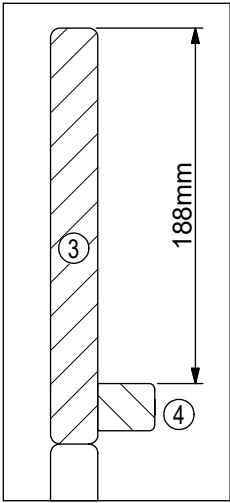
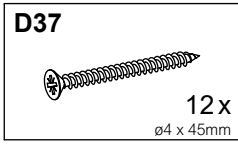
4



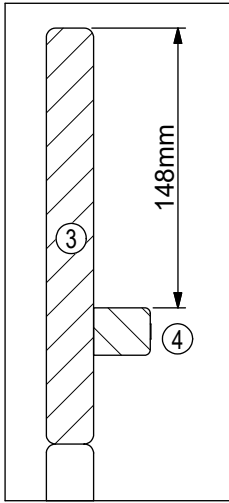
5



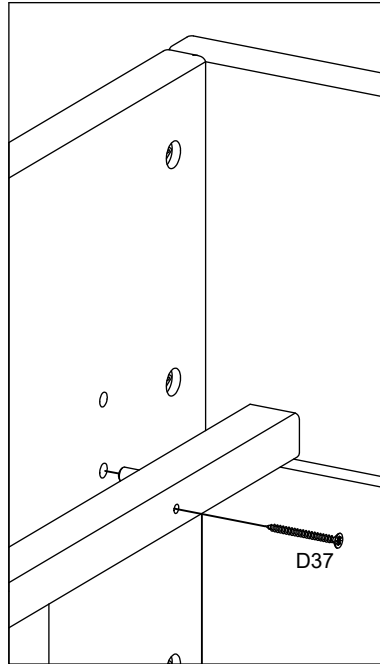
6



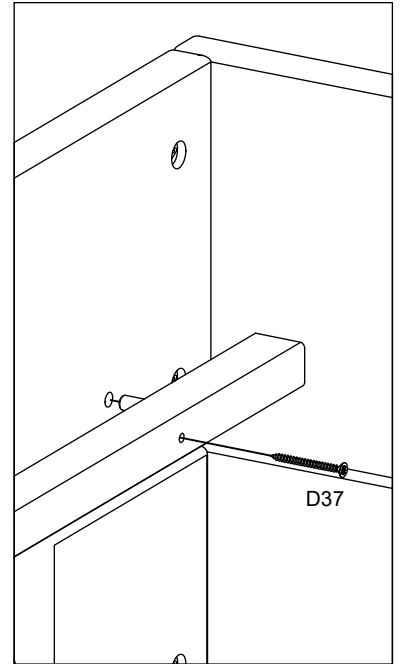
6A



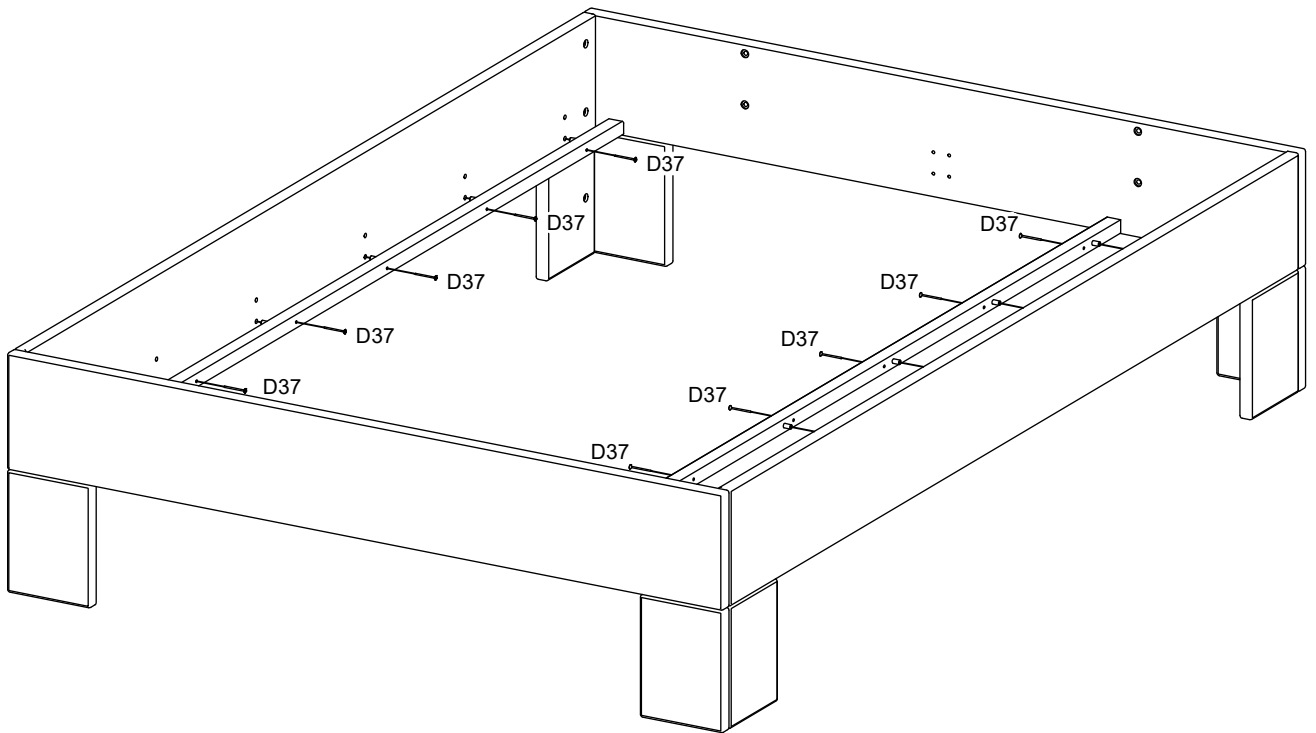
6B



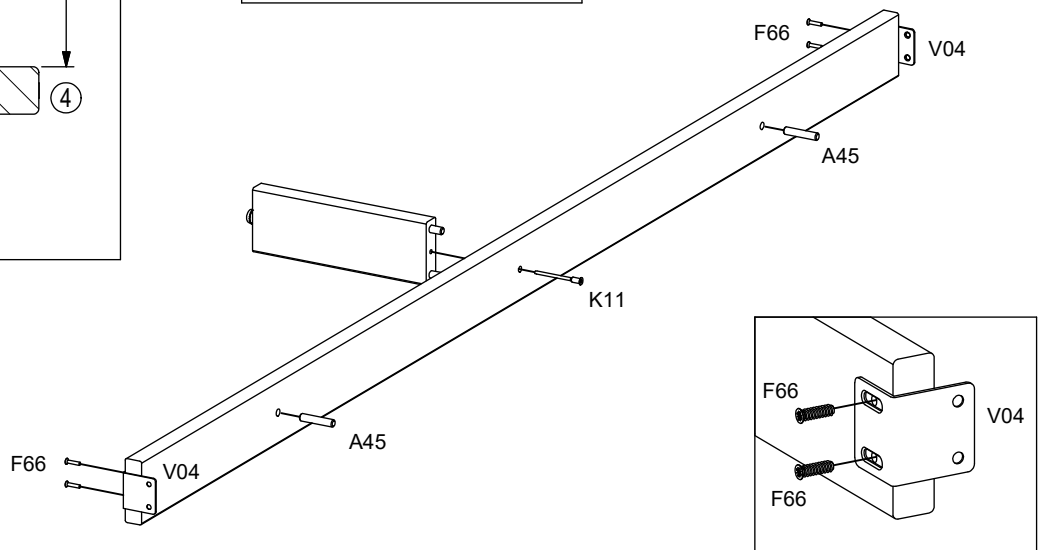
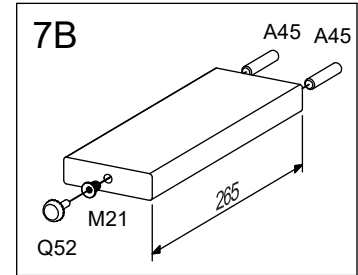
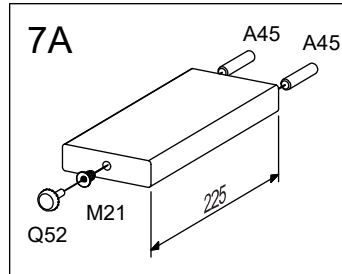
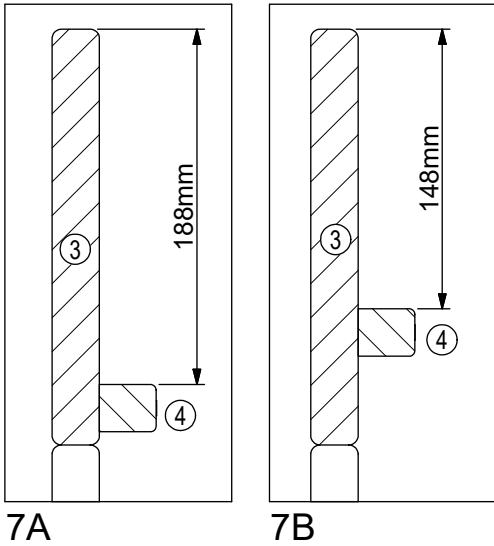
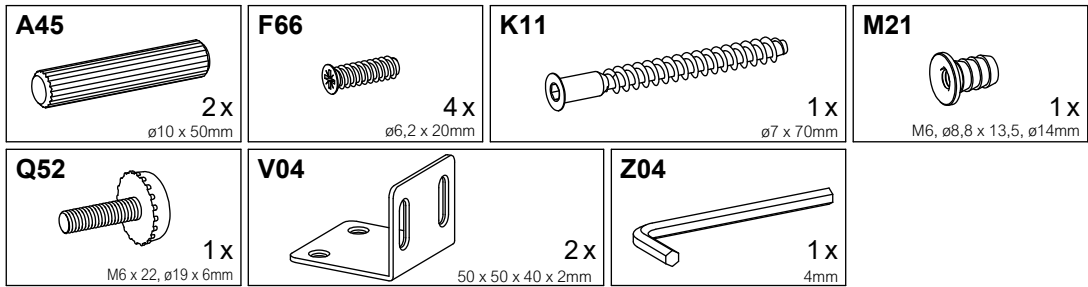
6A



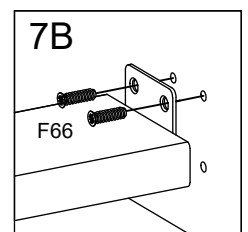
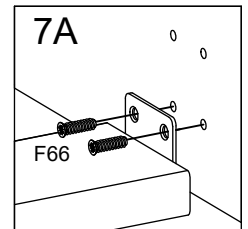
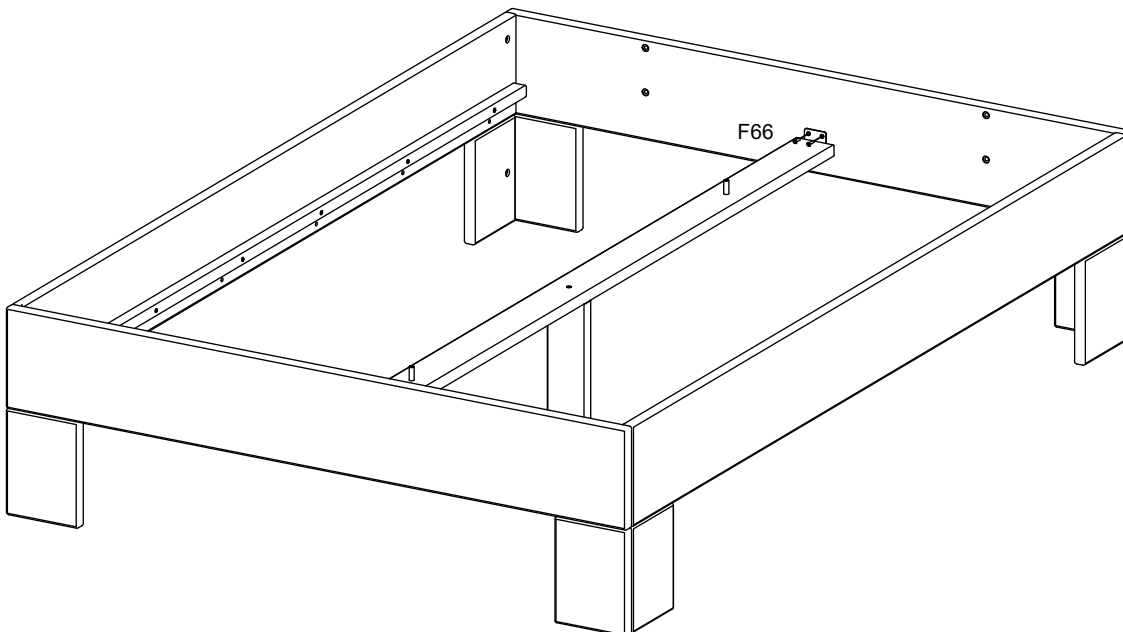
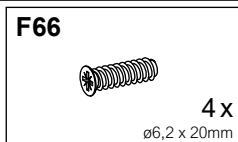
6B

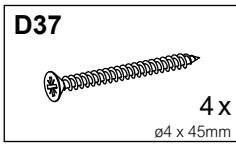
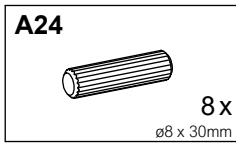


# 7

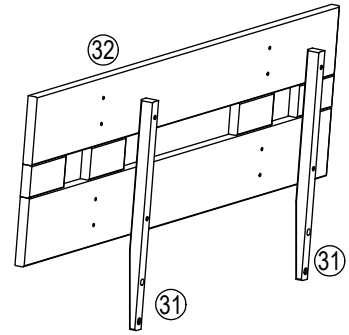
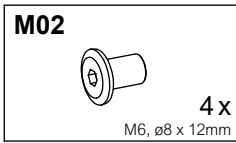
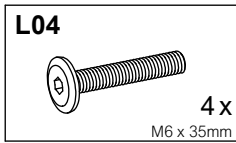


# 8

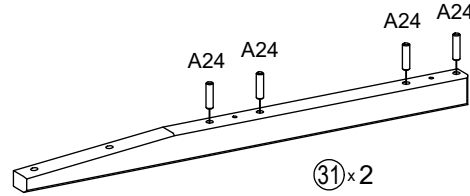
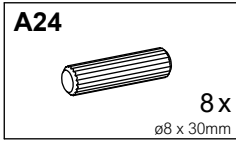




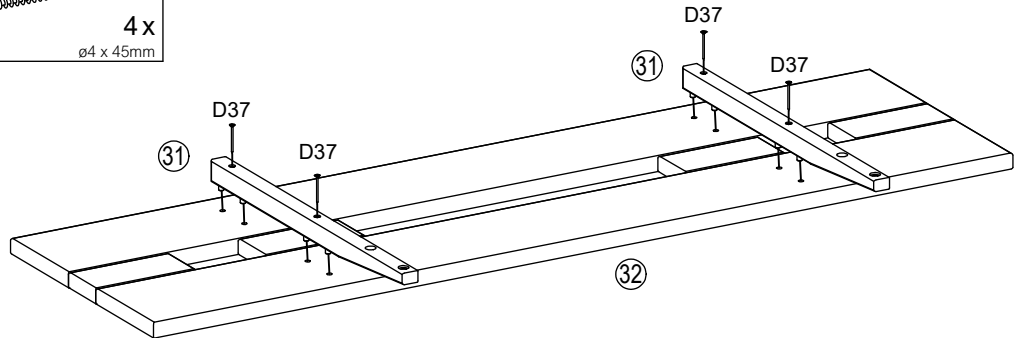
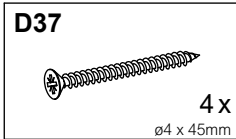
90cm  
140cm  
160cm  
180cm  
200cm



**1**



**2**



**3**

