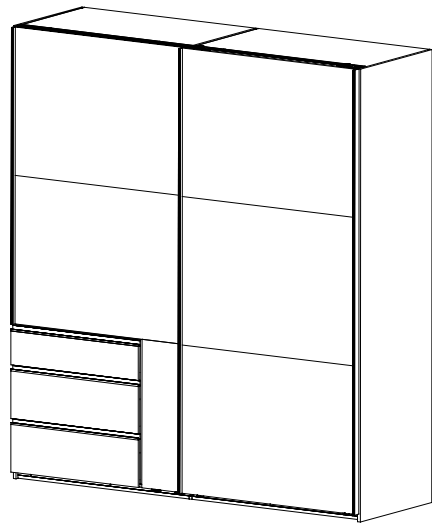
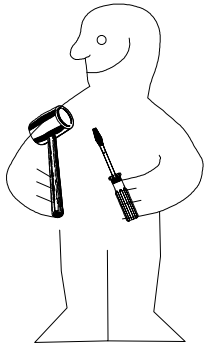
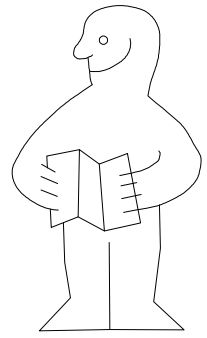
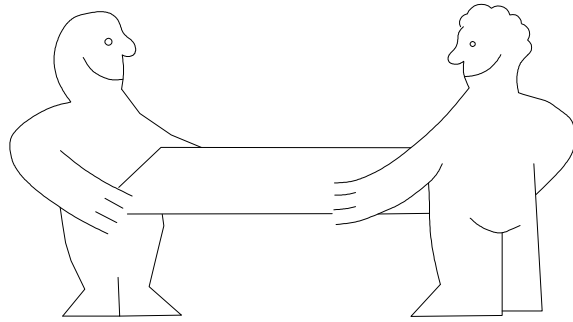
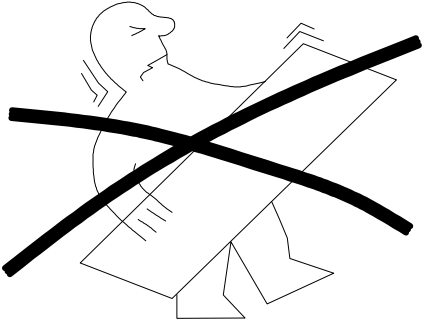




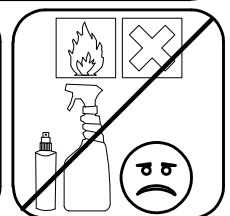
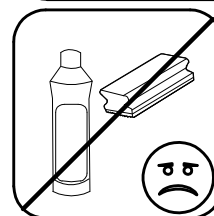
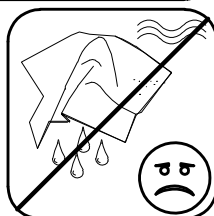
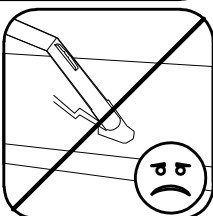
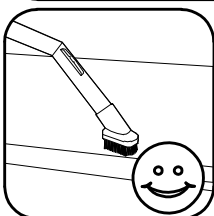
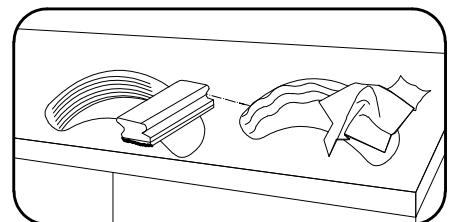
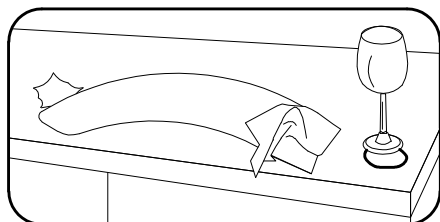
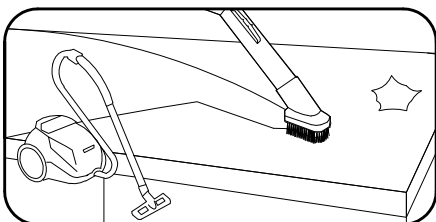
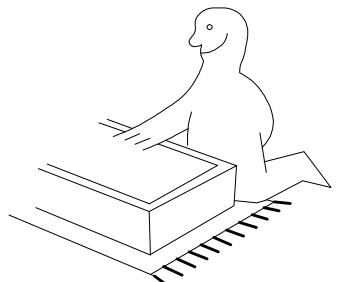
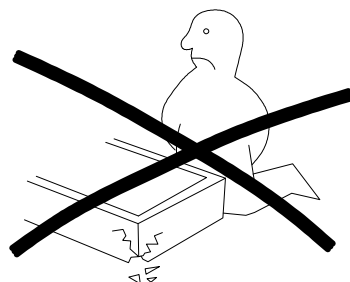
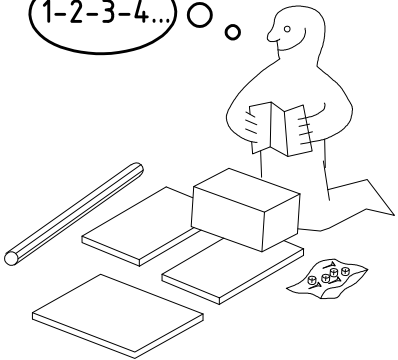
980710



HSP 200 ASK






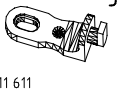
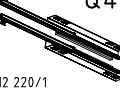
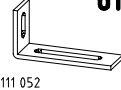
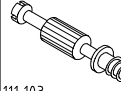


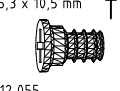
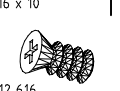

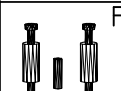
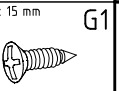
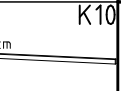

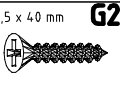
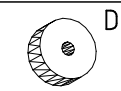
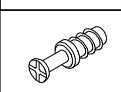

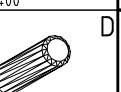

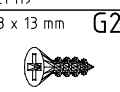
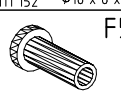

1-2-3-4... ○



980710



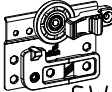
06.06.17 / -

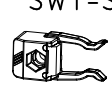

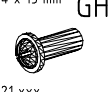
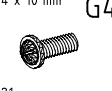

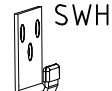


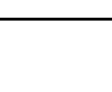
06 17 | 1/22

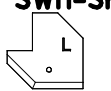
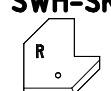



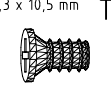
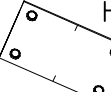

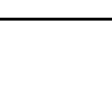
 A1 111 xxx	16x	 S0 111 300	10x	 K2 117 002	4x	 J2 111 611	6x	 Q45 112 220/1	3x	 o10 111 052	1x
 C 111 103	8x	 V12 111 xxx φ12 3,5 x 15 mm	10x	 SBV	22x	 T1 112 055	20x	 T3 M6 x 10	6x	 SP13 121 122	3x
 F3	4x	 G1 121 370	28x	 K10 100cm	2x	 L8 111 607	12x	 G25 3,5 x 40 mm	7x	 D8 111 152	6x
 F 111 229	4x	 VB23 111 252	4x	 D 353 018	2x	 Z 163 007	2x	 G21 3 x 13 mm	12x	 F5 111 xxx	6x
										 MS 14 121 010	6x

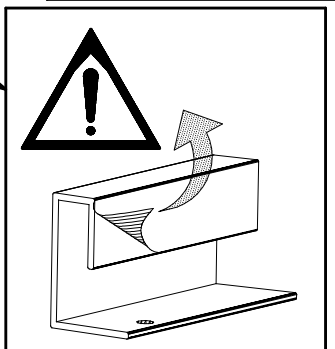
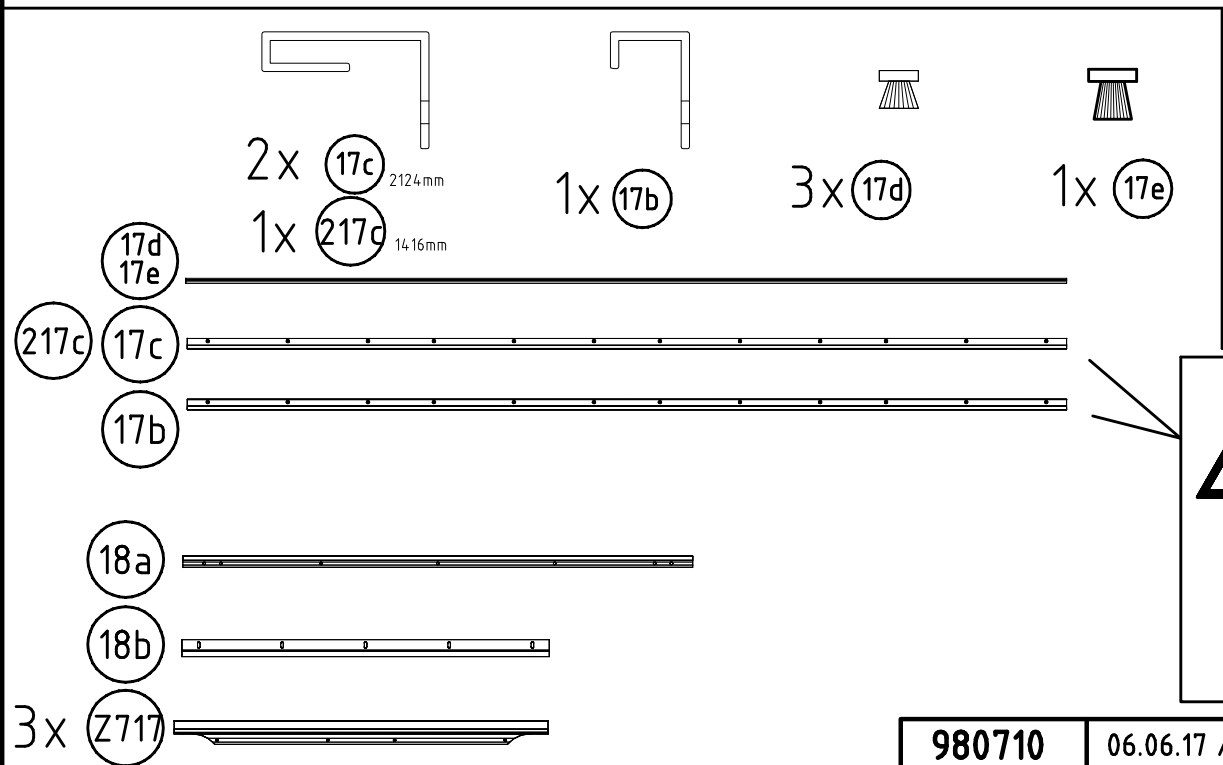
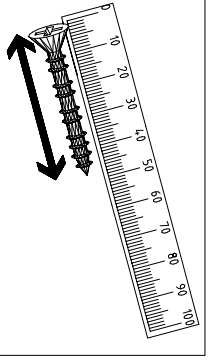
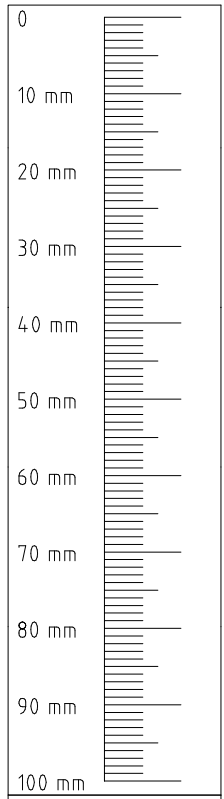
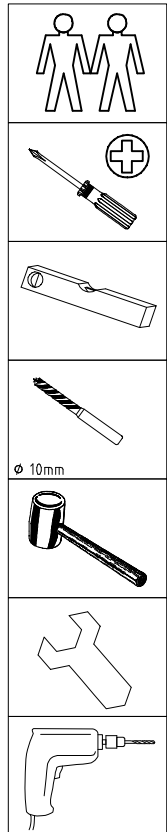
1x **FPK**
1453/1940/2430/2920/3408

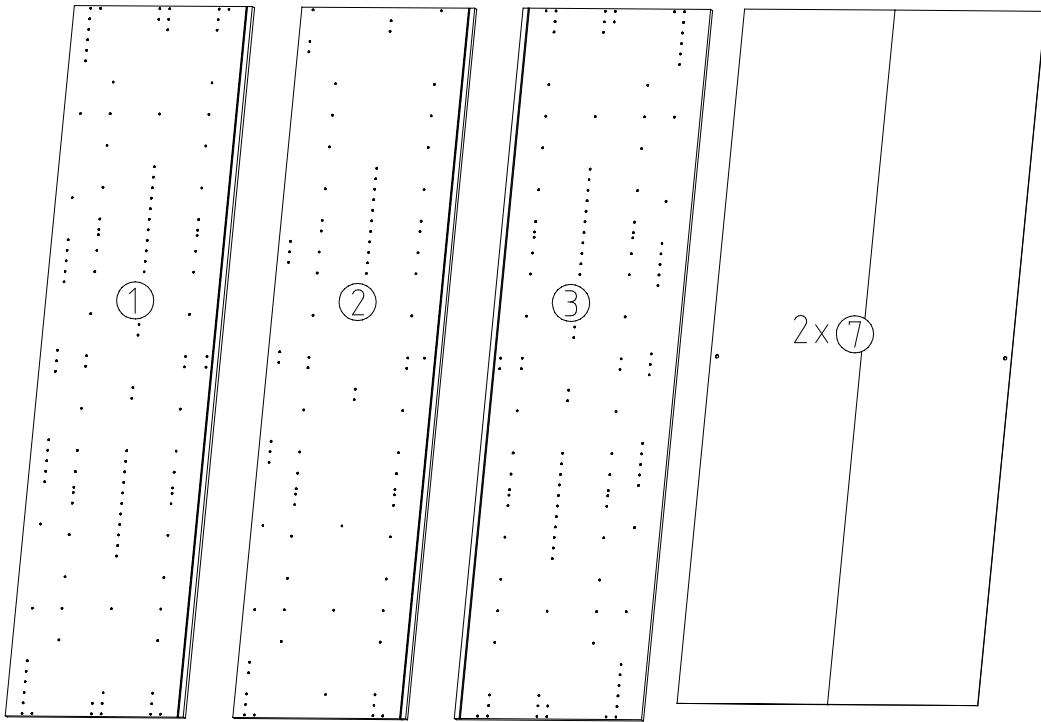
1x **SWT-LP**
1453/1940/2430/2920 /3410 SY

 SWT 1	2x
 SWT 2	1x
 SWT 8	1x

 SWT-ST	2x
 SWT-SM5 M4 x 13 mm	2x
 GH13 121 xxx	4x
 G43 M4 x 10 mm	4x
 121 xxx	4x
 SWH 6	2x
 SWH 7	2x
 G1 3,5 x 15 mm	1x
 121 370	1x

 SWH-SKL L	1x
 SWH-SKR R	1x
 G24 3,5 x 22 mm	7x
 G14 121 004	2x
 121 375	2x
 SP13 4 X 13mm	73x
 T2 121 122	24x
 H5 111 030	5x
 114 183	



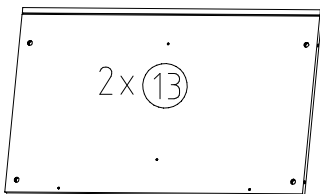


2160x577x15

2160x560x15

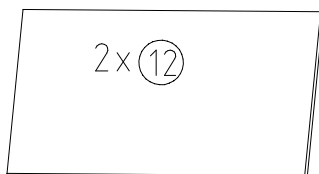
2160x607x15

2111x973x2,5



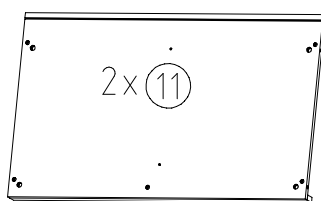
2x 13

964x560x15



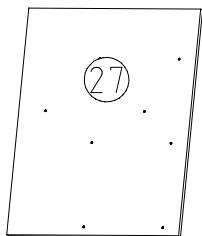
2x 12

964x500x18



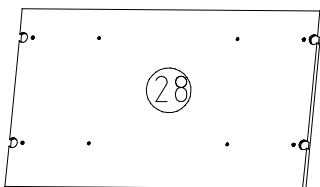
2x 11

964x560x47



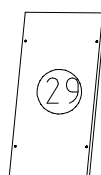
27

689x557x15



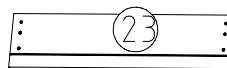
28

964x540x22



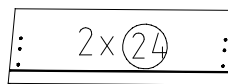
29

250x500x18



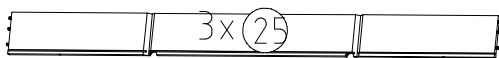
23

717x163x15



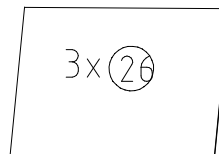
2x 24

717x227x15



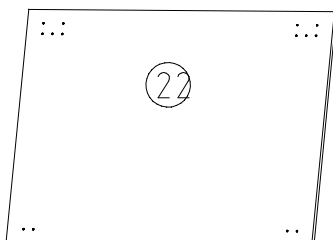
3x 25

450/675/450x126x12



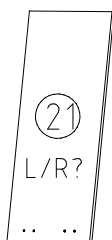
3x 26

661x449x2,5



22

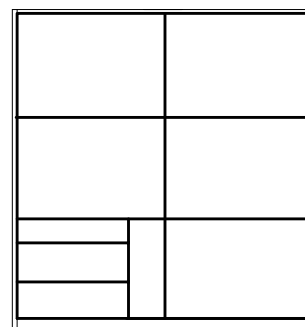
5x 990x708x15



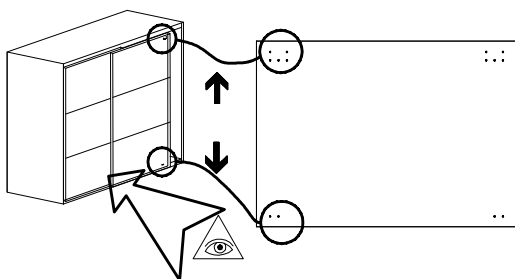
21

L/R?

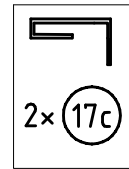
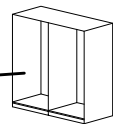
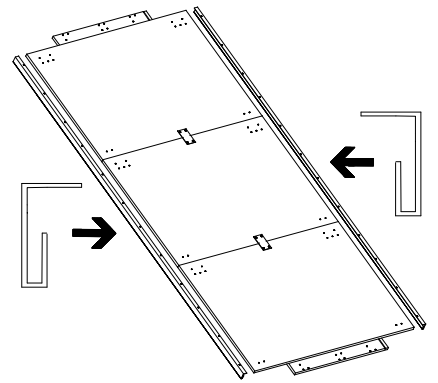
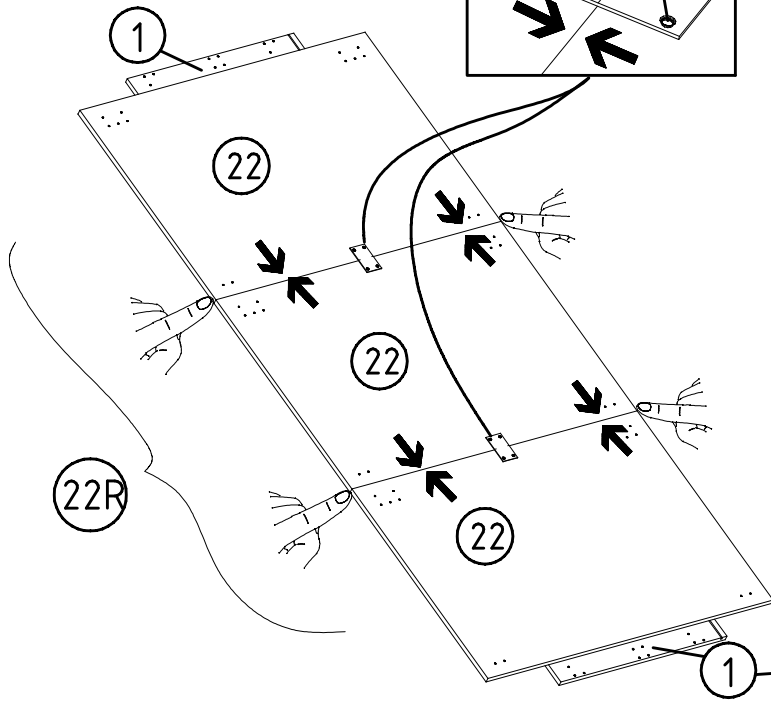
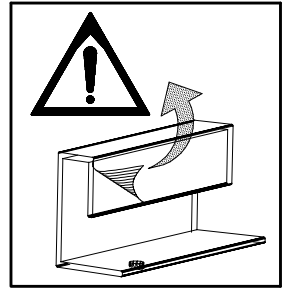
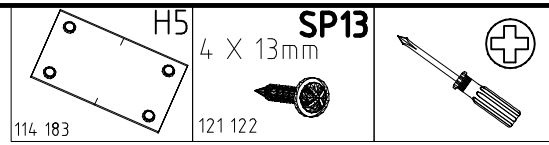
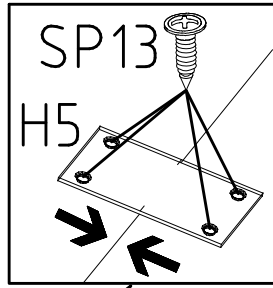
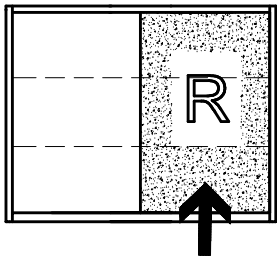
268x708x15



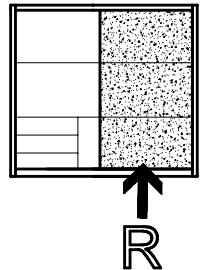
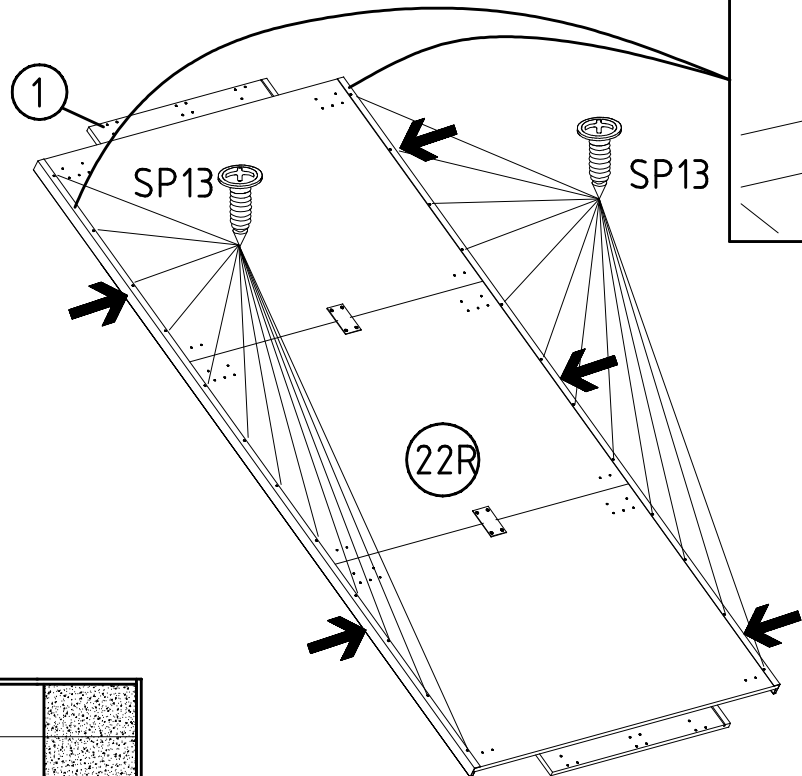
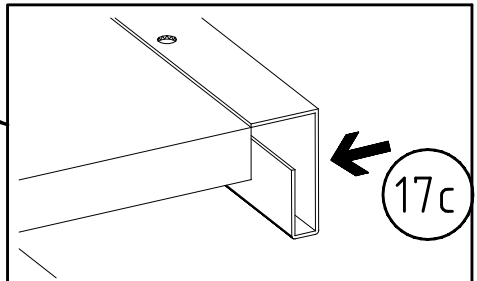
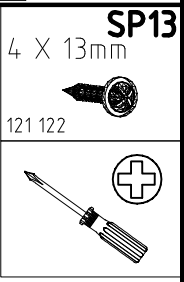
L R



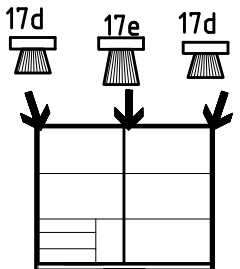
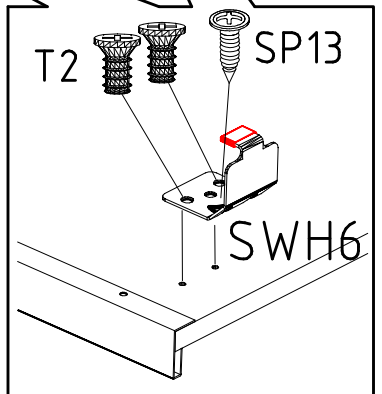
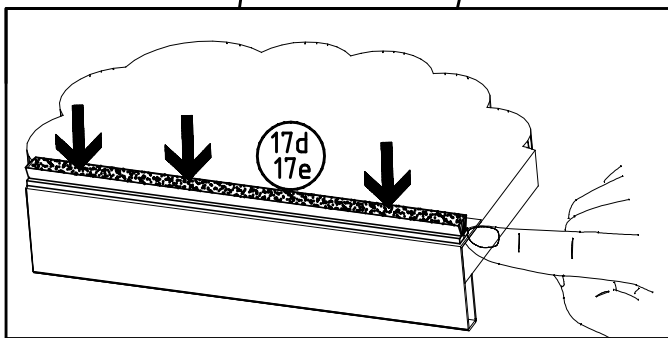
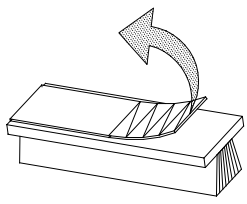
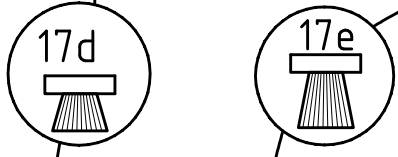
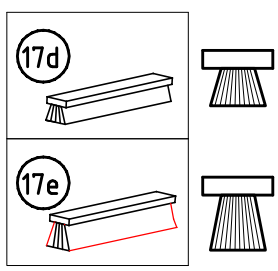
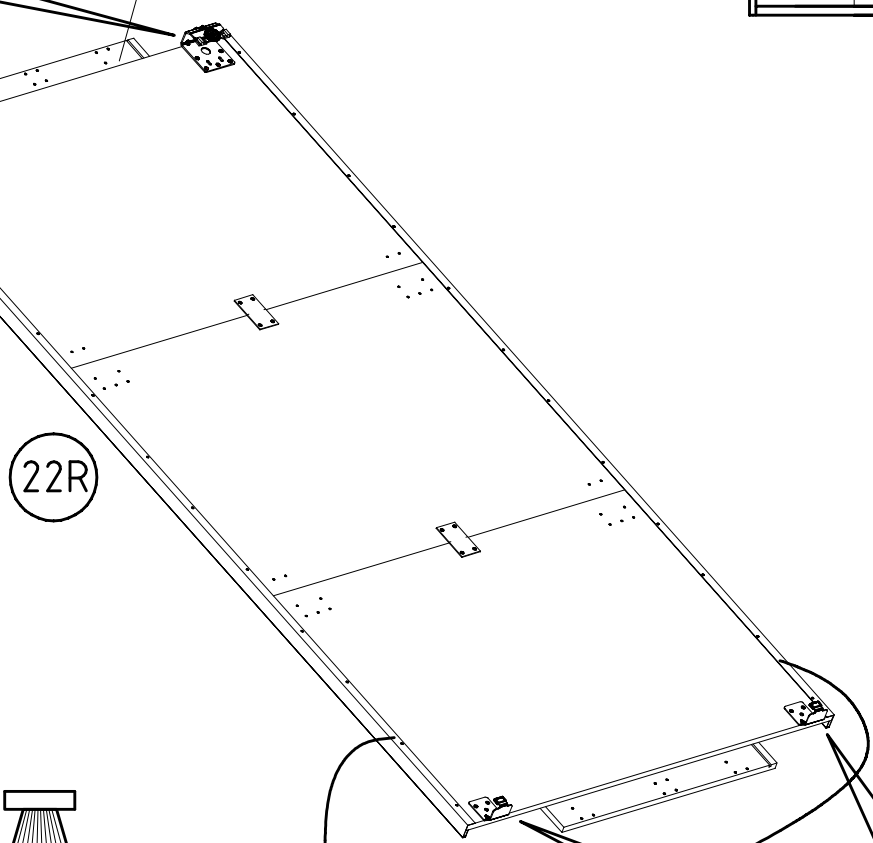
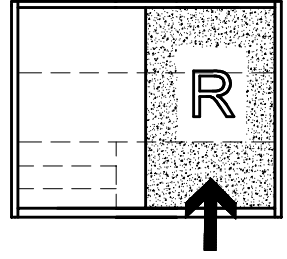
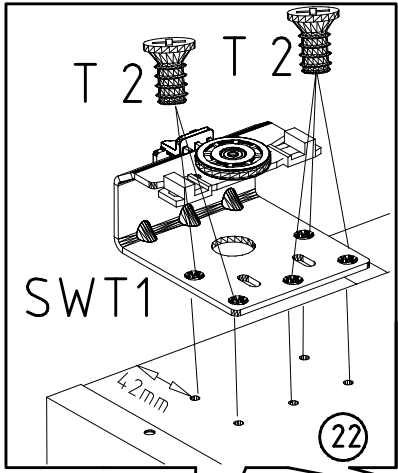
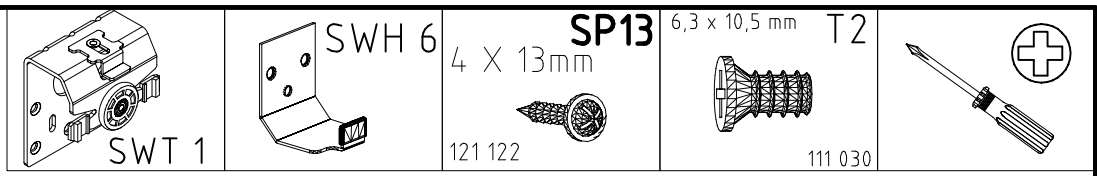
1



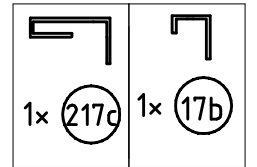
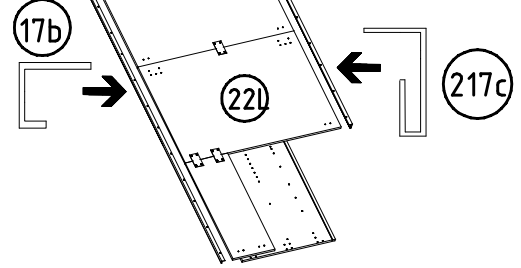
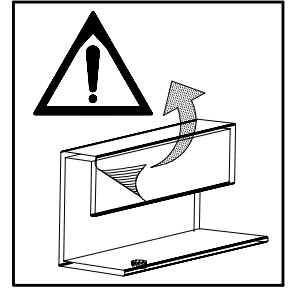
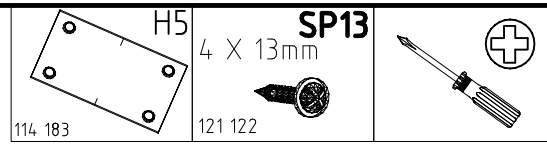
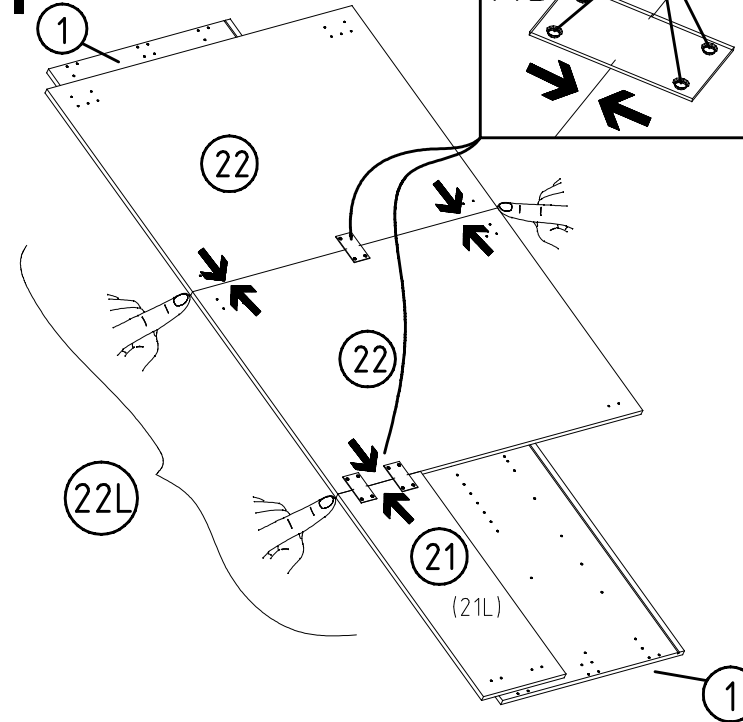
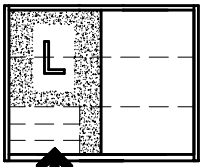
2



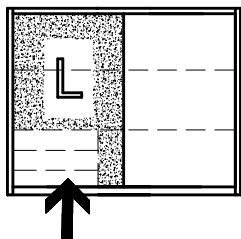
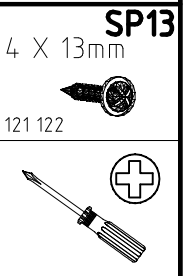
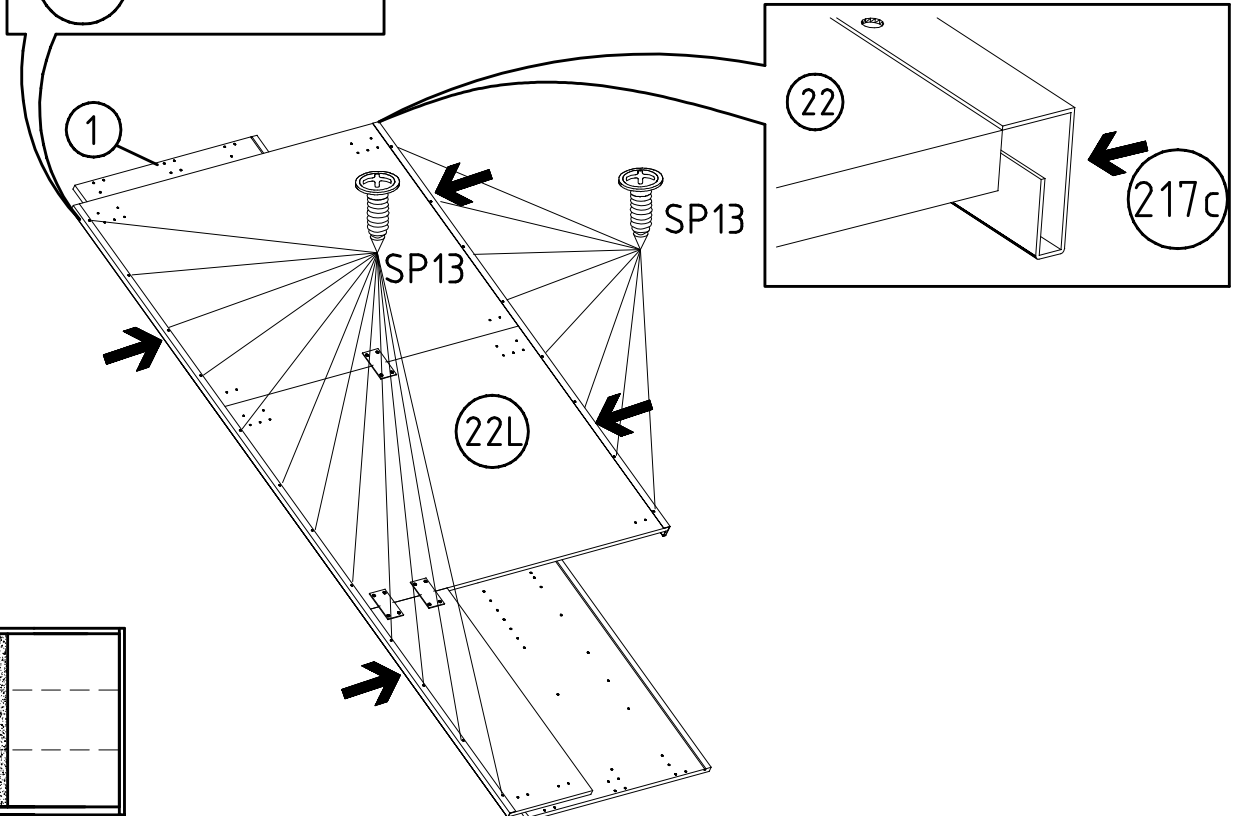
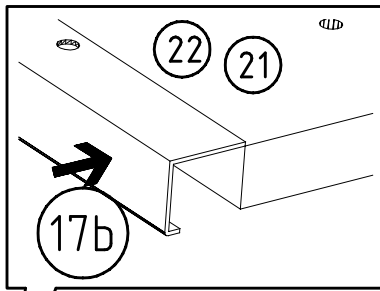
3



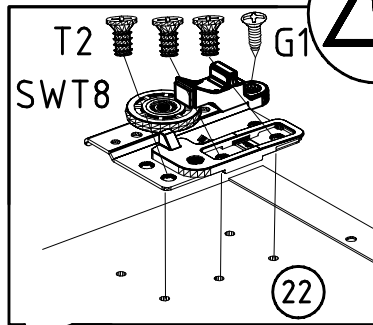
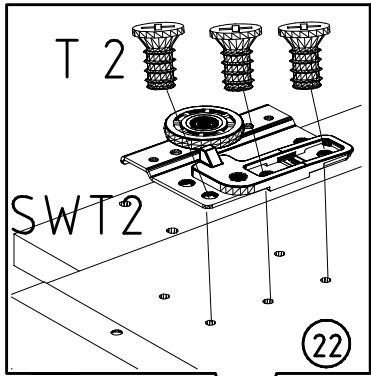
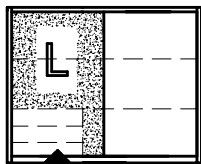
4



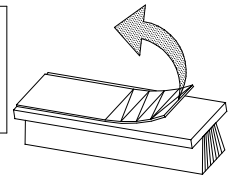
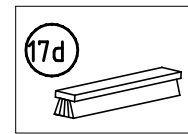
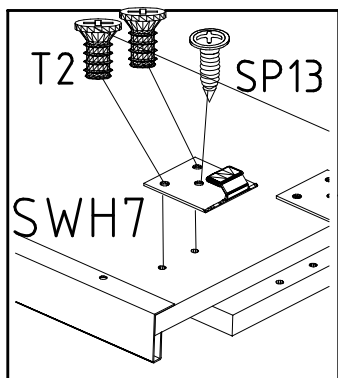
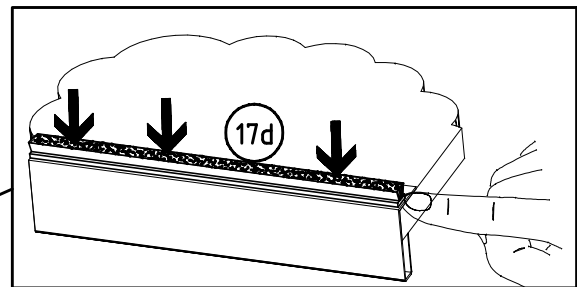
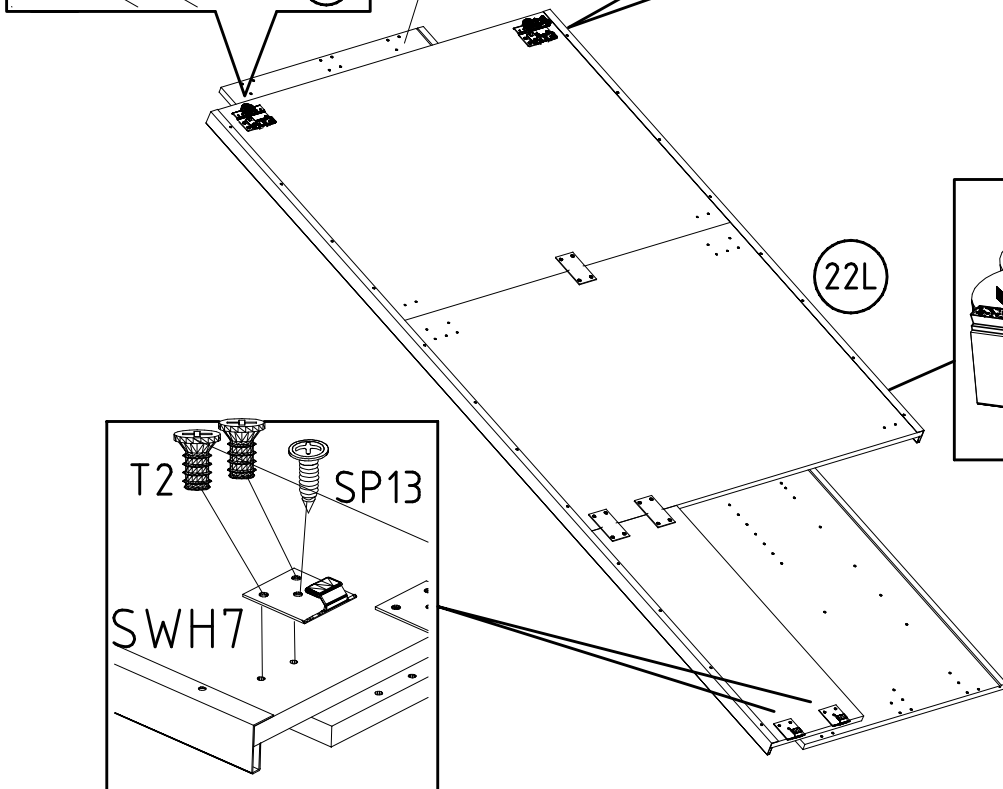
5



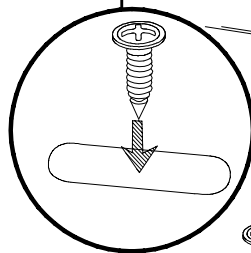
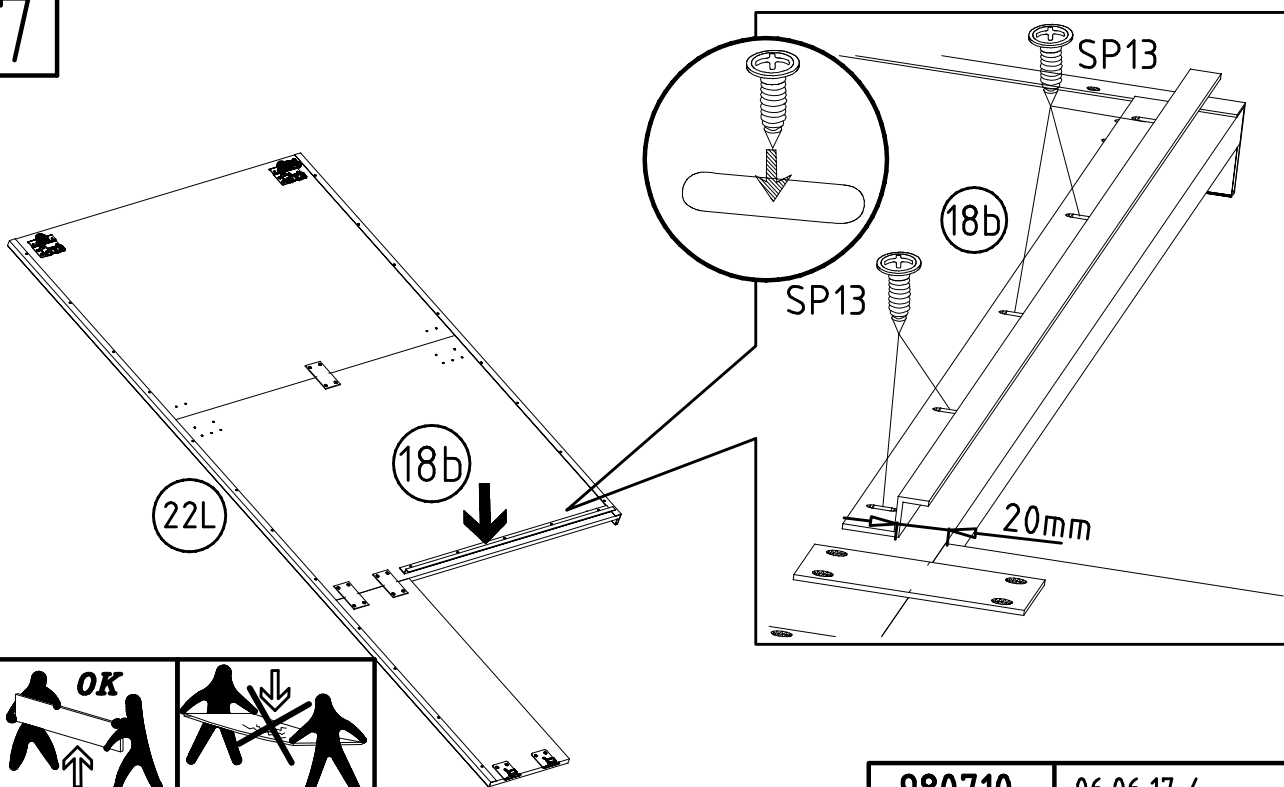
6



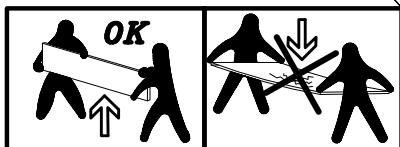
SWT2	SWT8
6,3 x 10,5 mm T2	SWH 7
111 030	
3,5 x 15 mm G1	SP13
	4 X 13mm
121 370	
	121 122



7



SP13
4 X 13mm
121 122



980710

06.06.17 / -

06 17 / 7/22

8

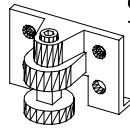
3,5 x 15 mm

G1



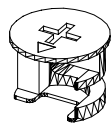
121 370

S0



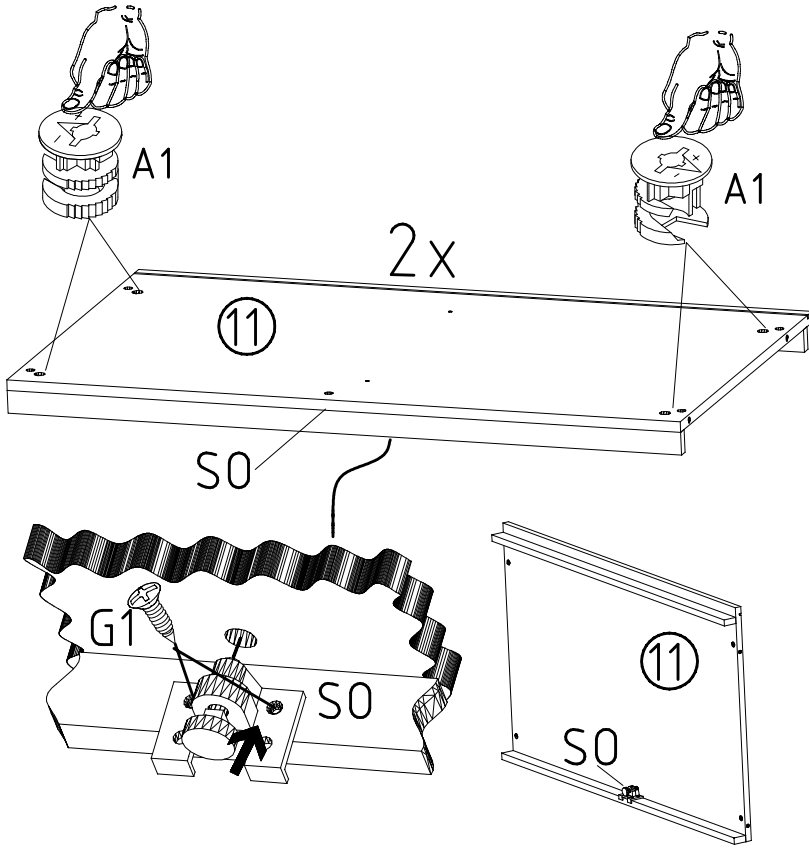
111 300

A1



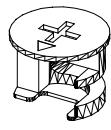
111 xxx

10

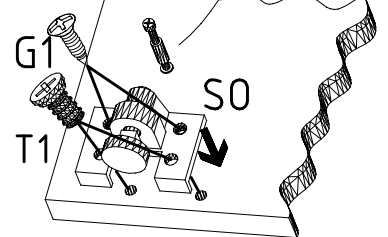
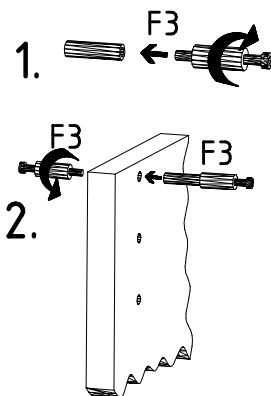
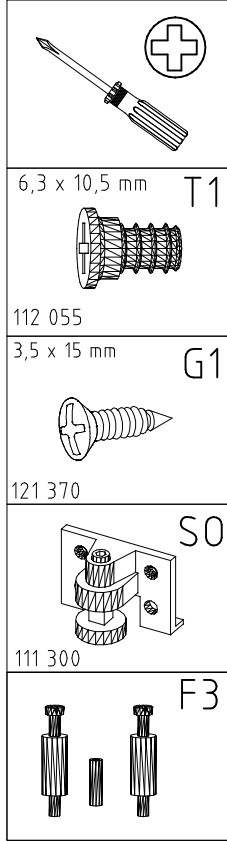
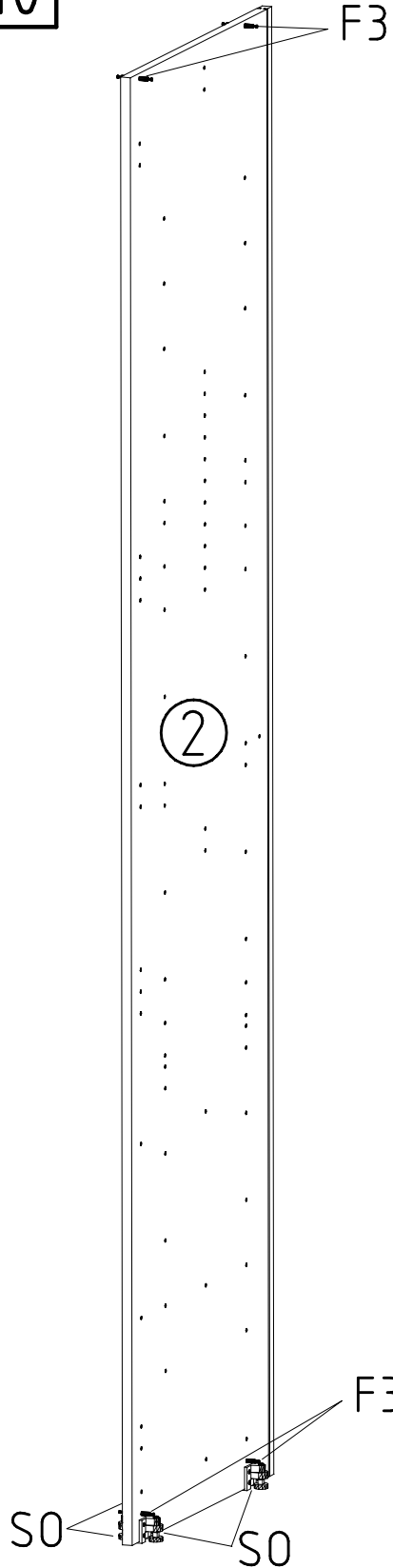
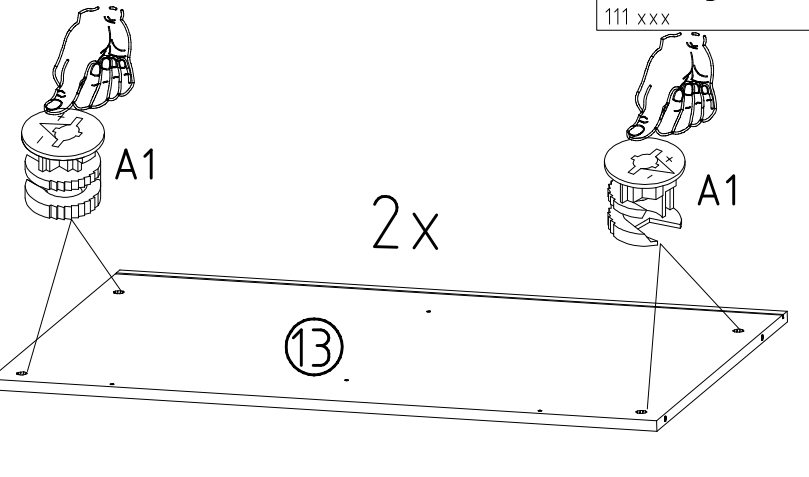


9

A1

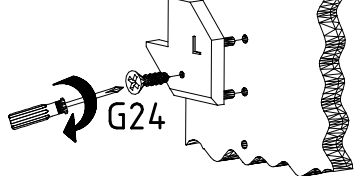


111 xxx

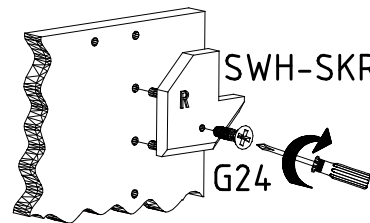


11

SWH-SKL



SWH-SKR

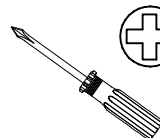


577

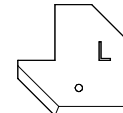
607

SWH-SKL + G24

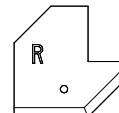
SWH-SKR + G24



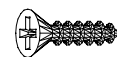
SWH-SKL



SWH-SKR

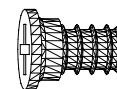


3,5 x 22 mm G24



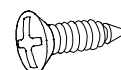
121 004

6,3 x 10,5 mm T1

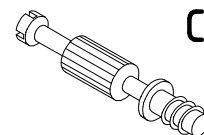


112 055

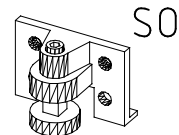
3,5 x 15 mm G1



121 370



111 103

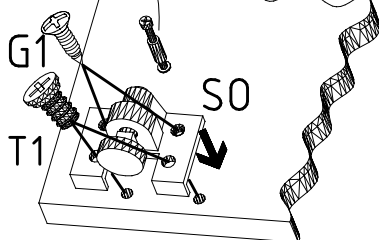


111 300

1

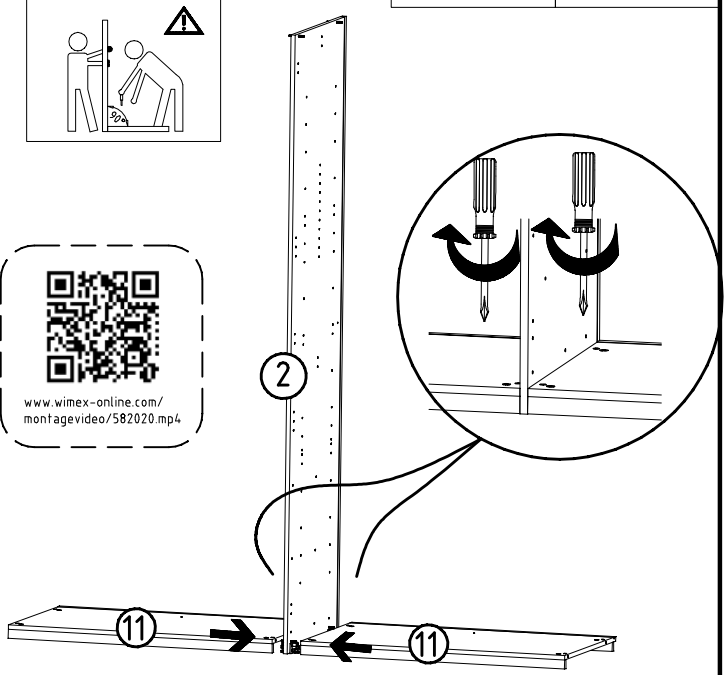
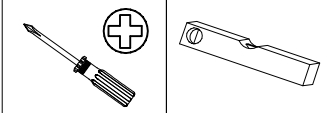
3

SO

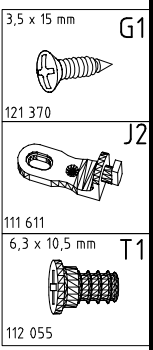
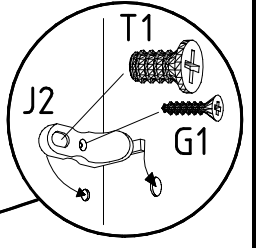
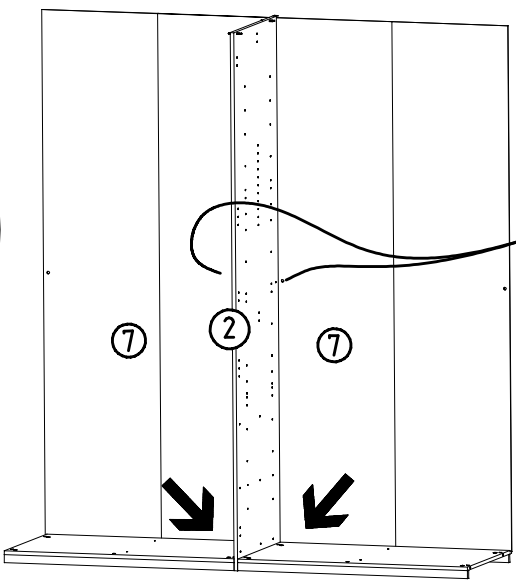
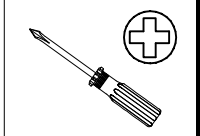


SO

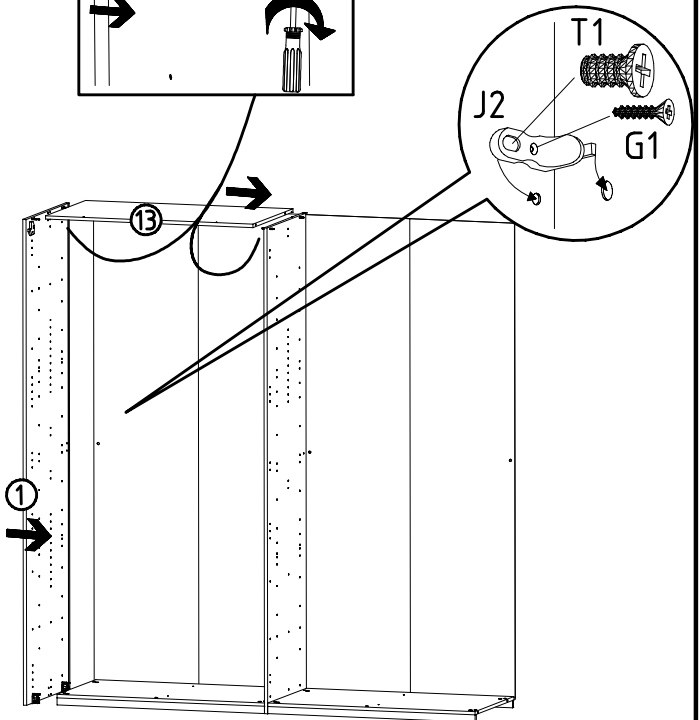
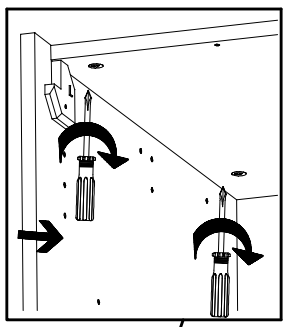
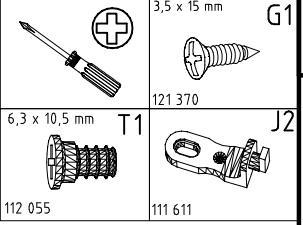
12



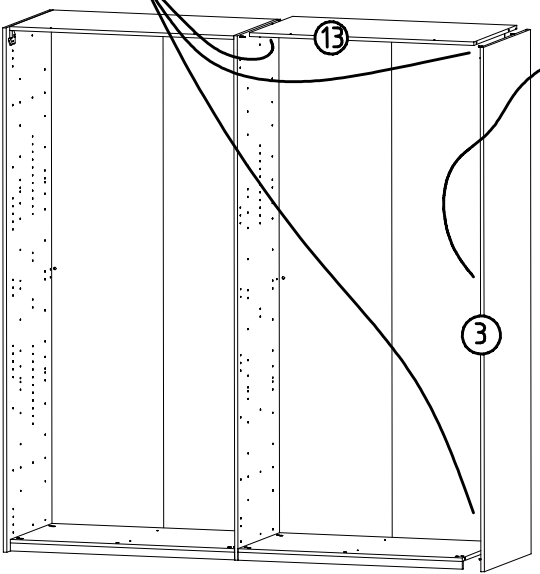
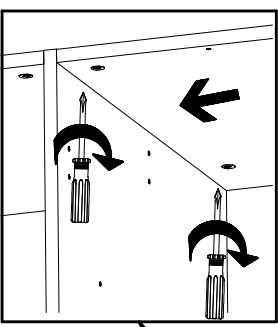
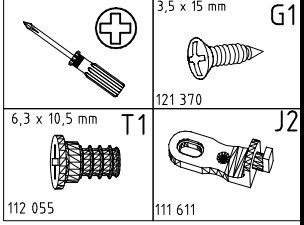
13

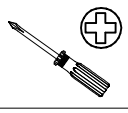
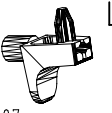
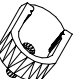
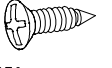


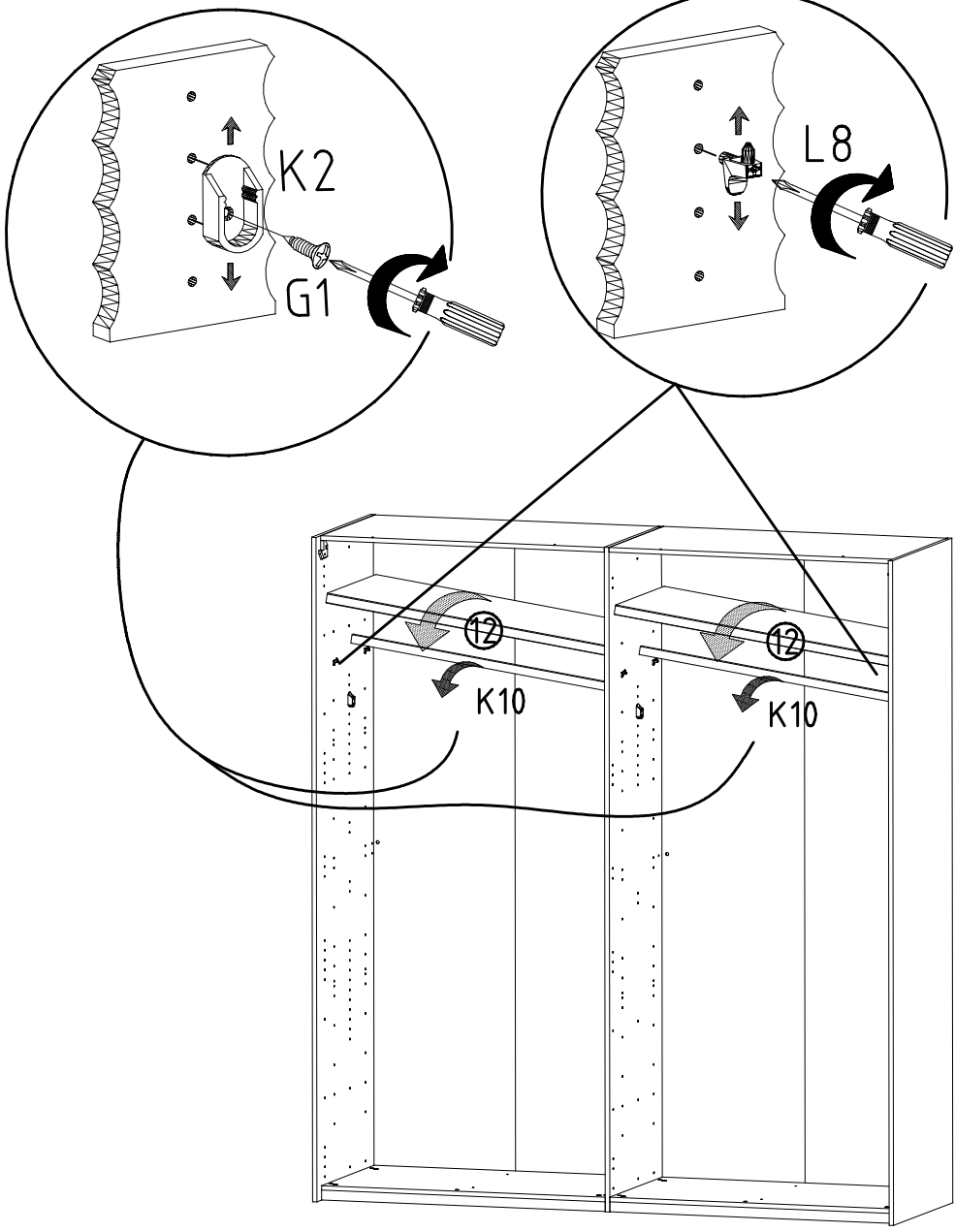
14



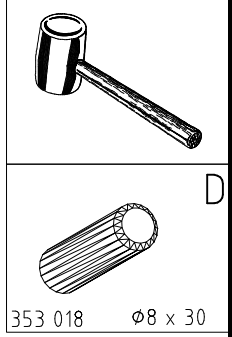
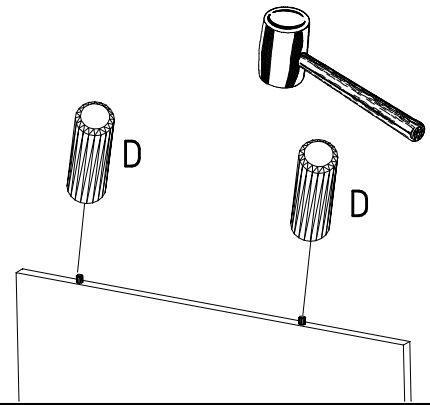
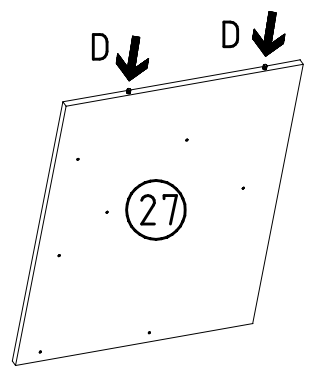
15



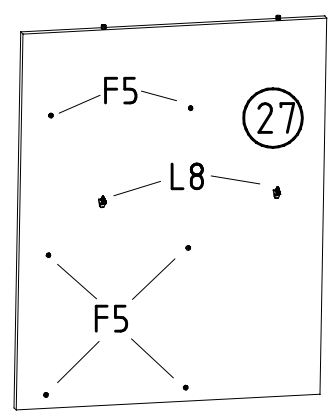
		L8
	111 607	
		K2
	117 002	
	3,5 x 15 mm	G1
		
	121 370	K10
	100cm	
	112 400	



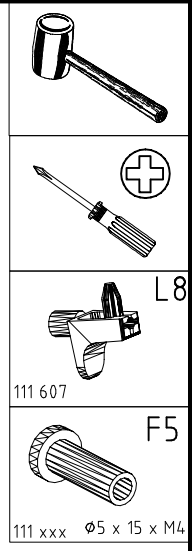
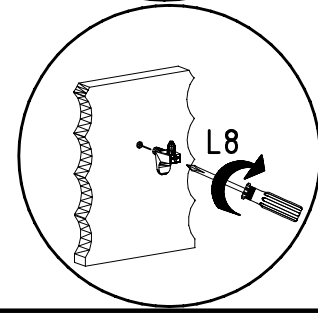
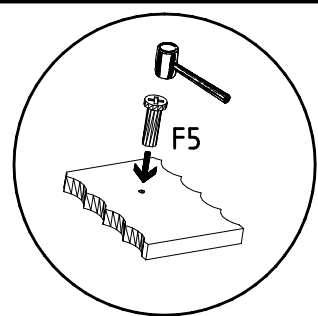
17



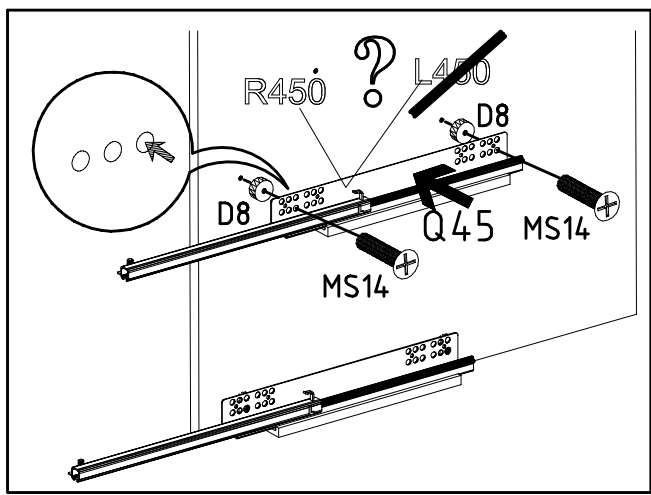
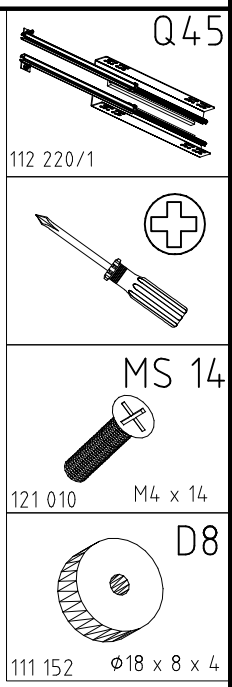
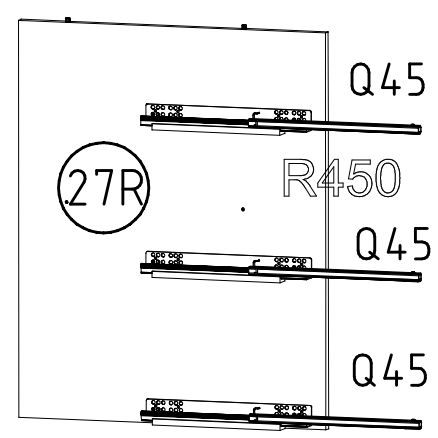
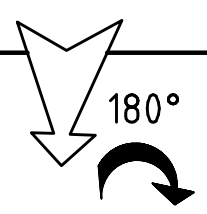
18



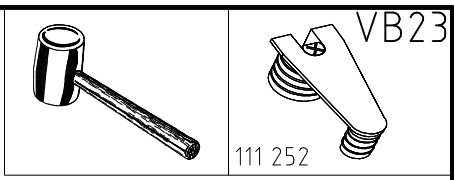
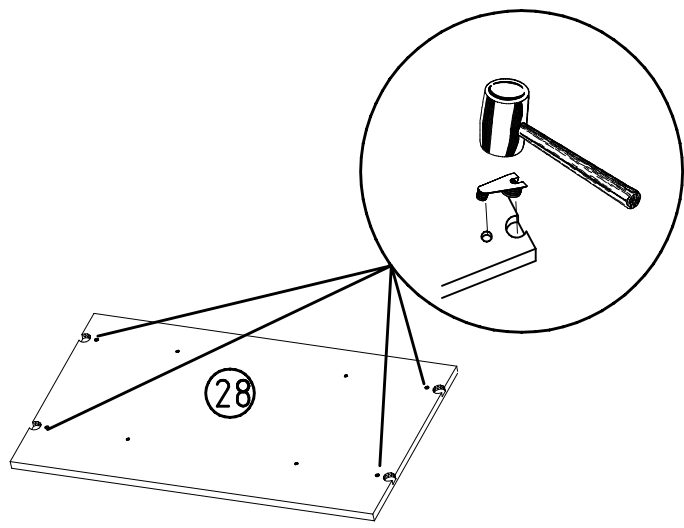
=27R



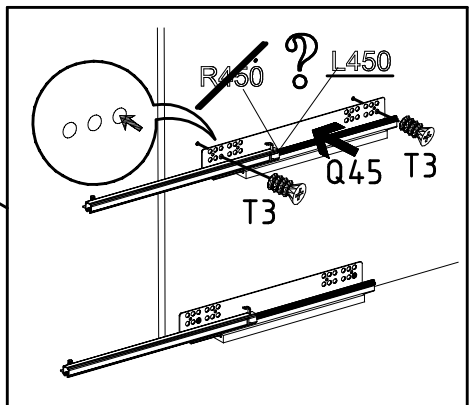
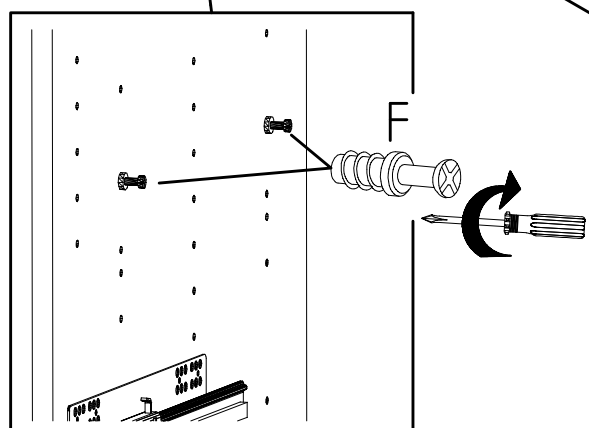
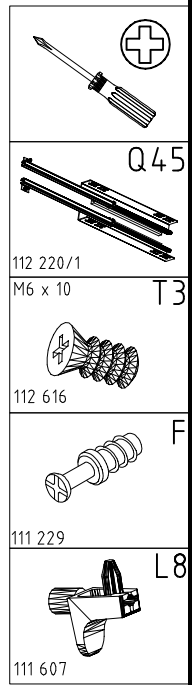
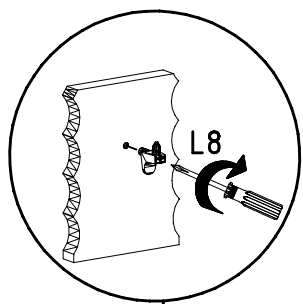
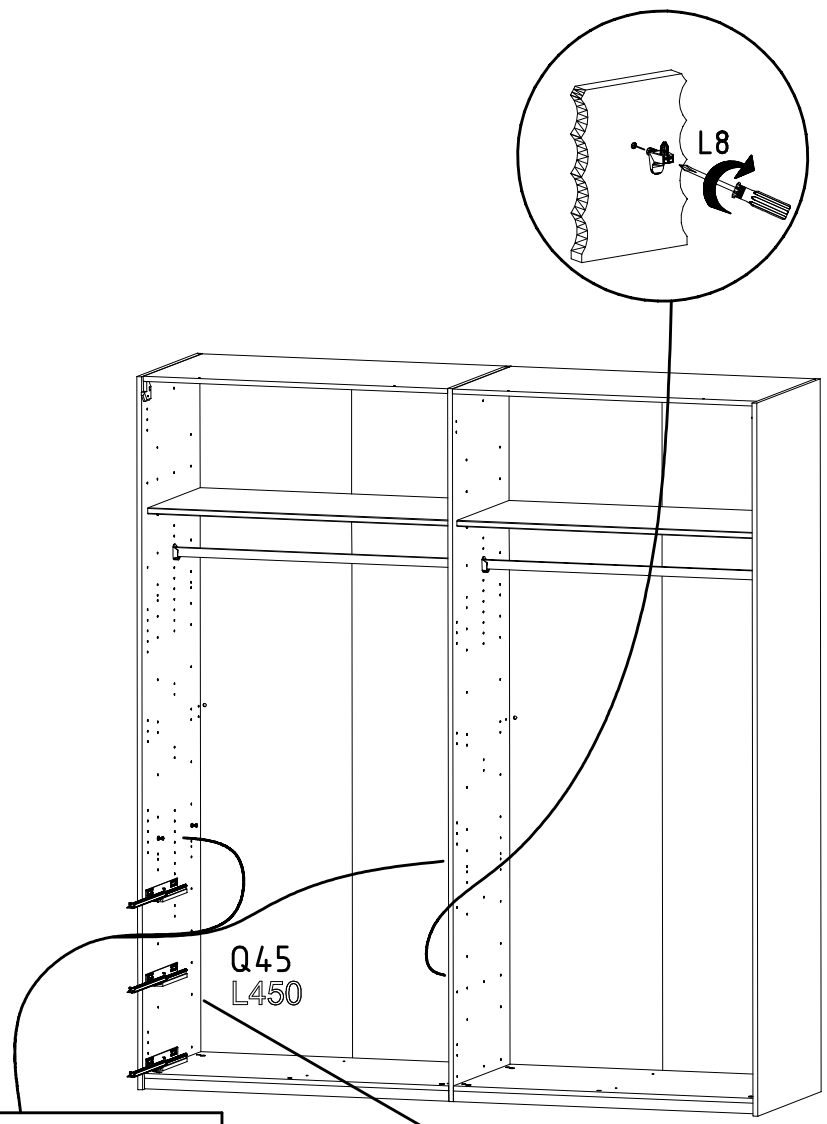
19



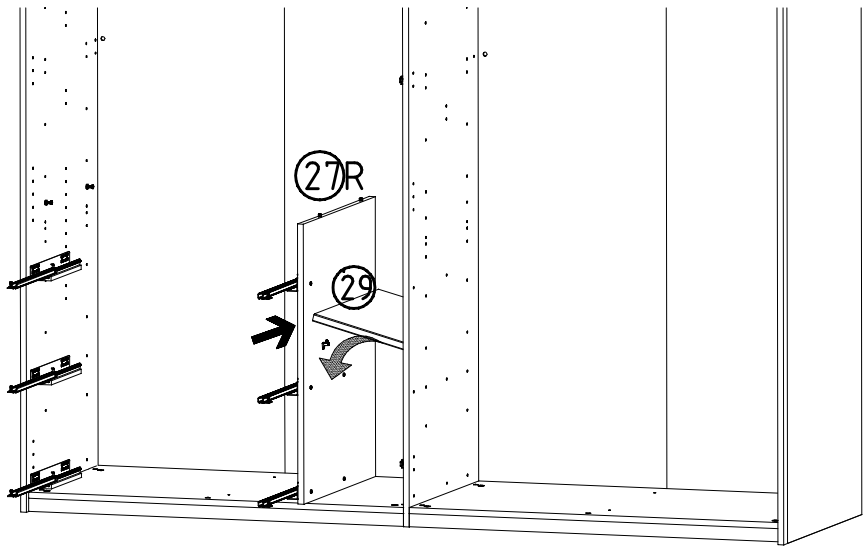
20



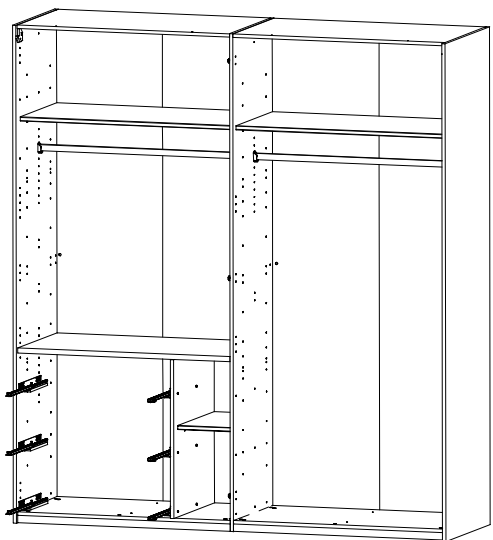
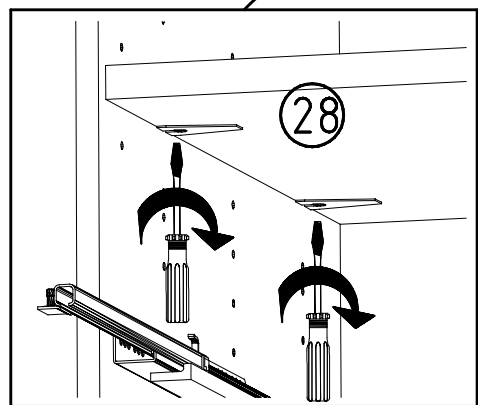
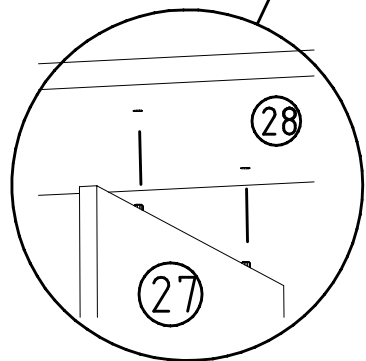
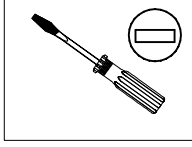
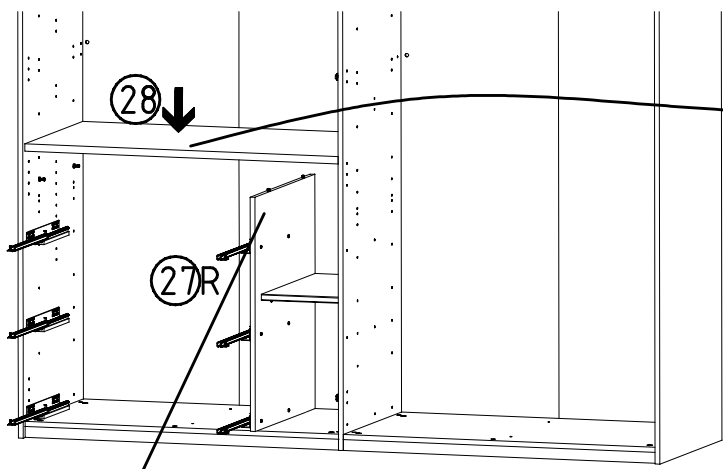
21



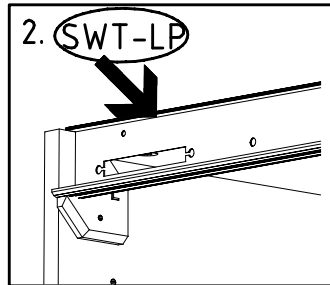
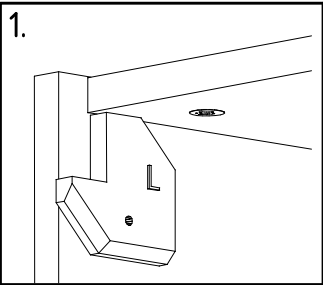
22



23

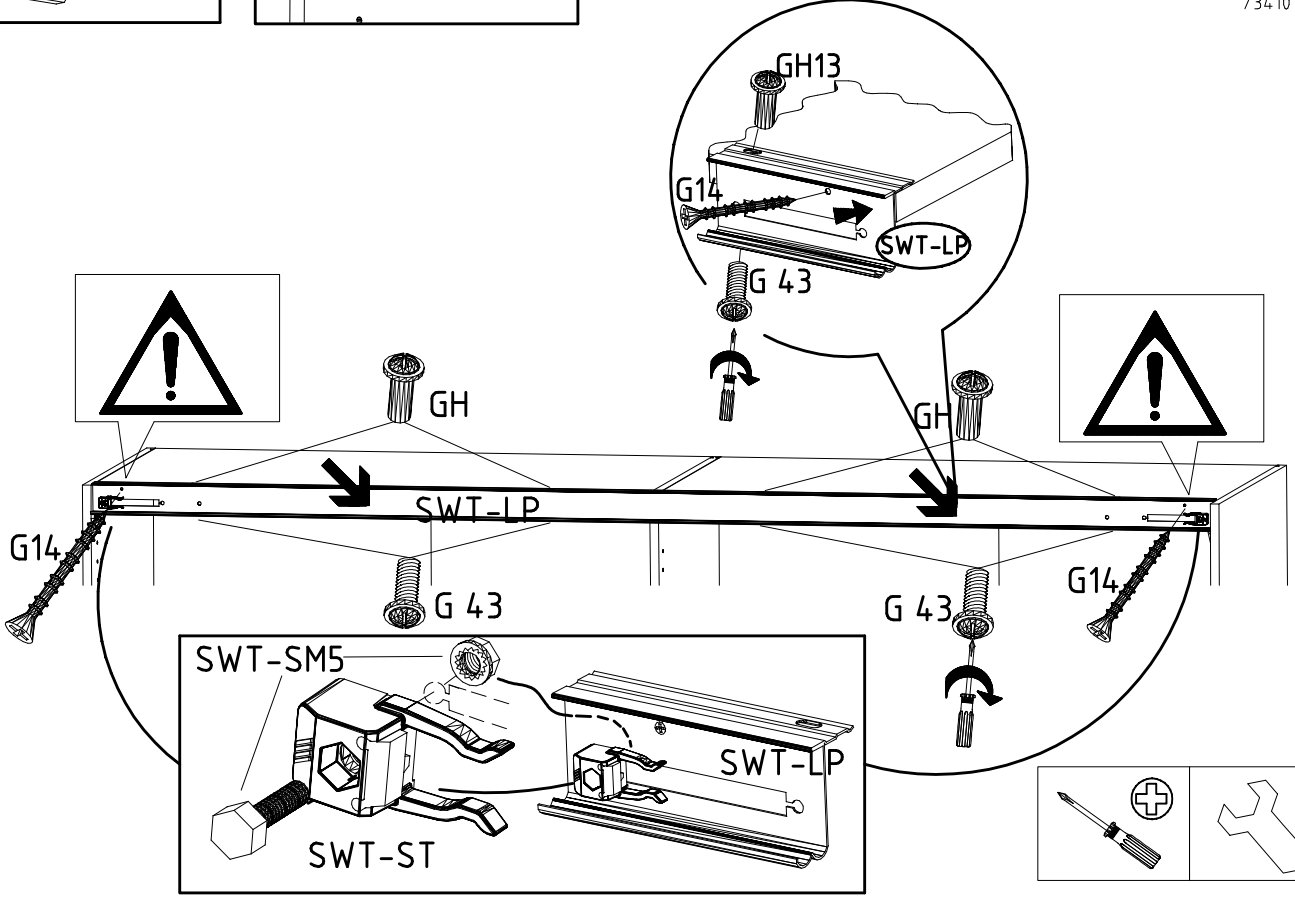


24

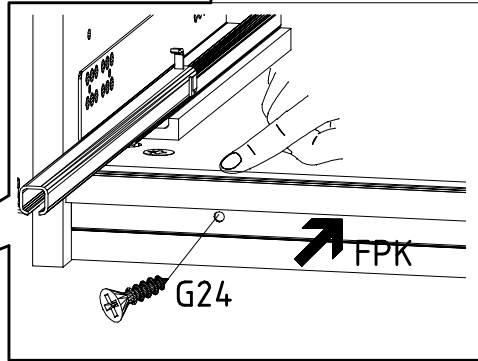
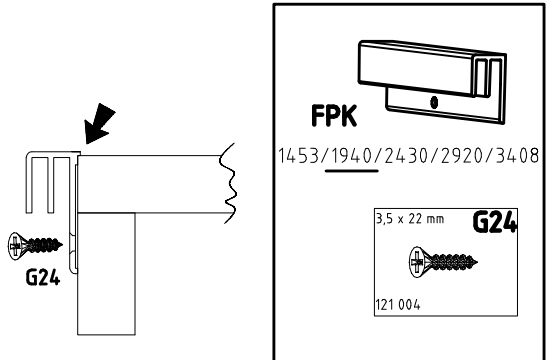
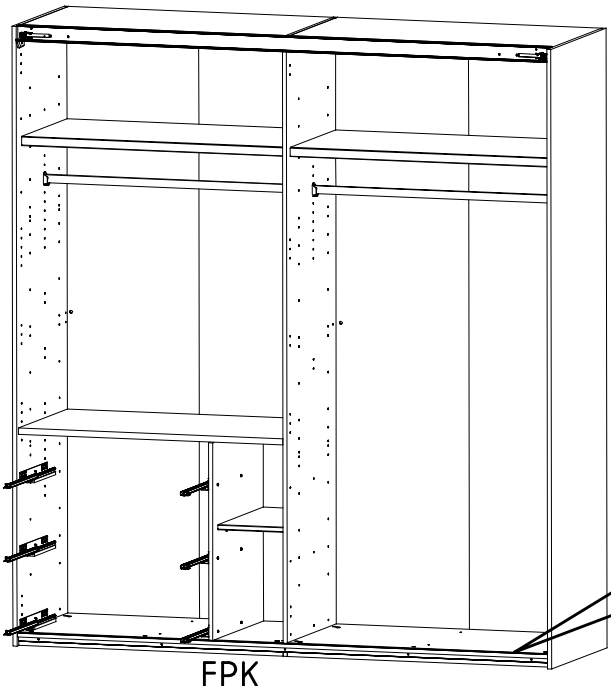


M4 x 10 mm G43 121 xxx	M4 x 13 mm GH13 121 xxx	3,5 x 35 mm G14 121 375	SWT-ST 	SWT-SM5
------------------------------	-------------------------------	-------------------------------	------------	-------------

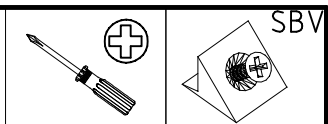
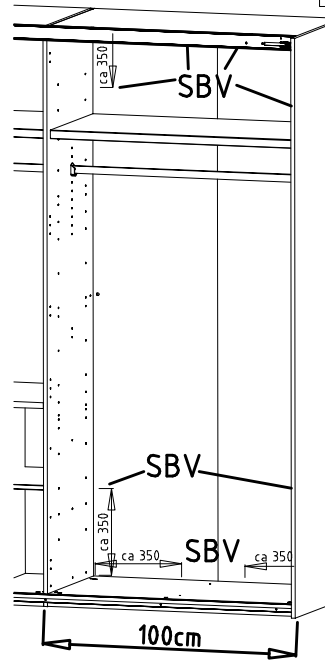
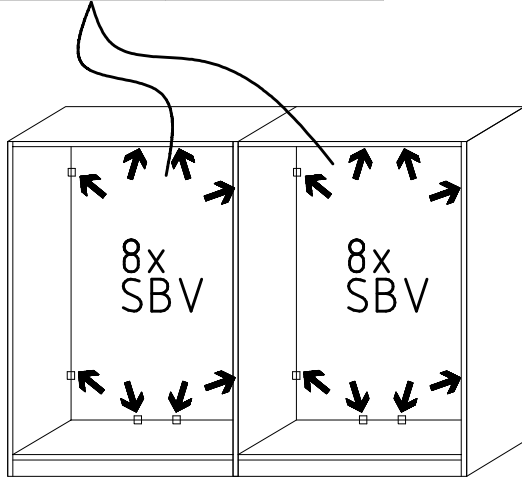
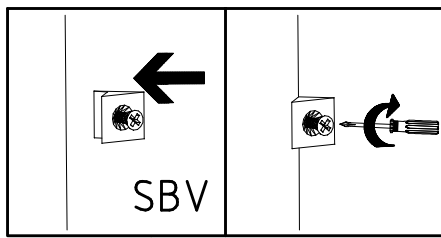
SWT-LP
1453/1940/2430/2920
/3410 SY



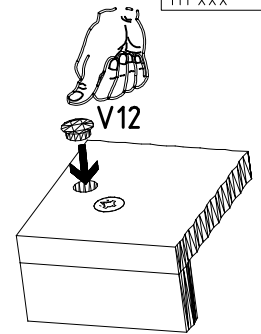
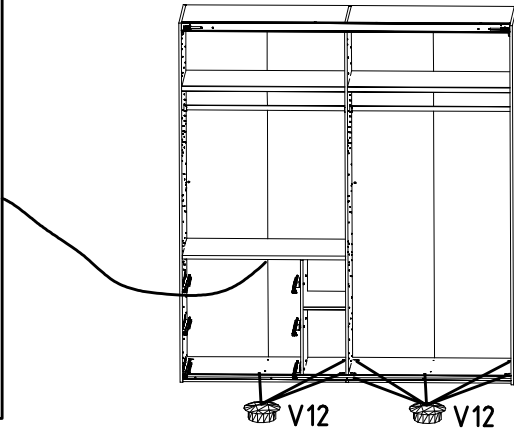
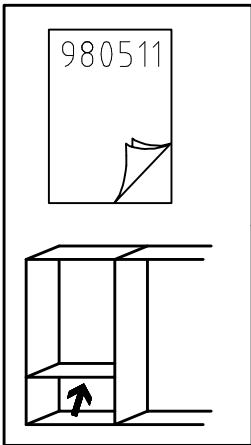
25



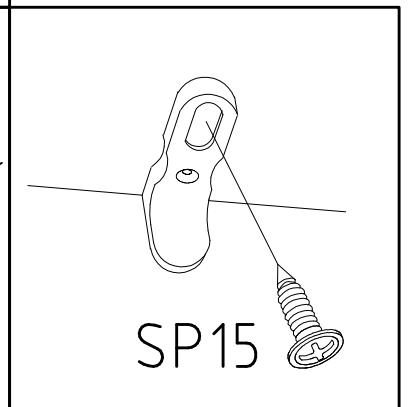
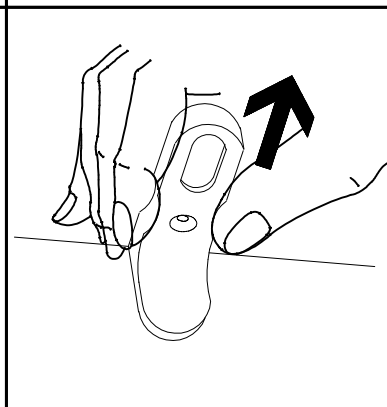
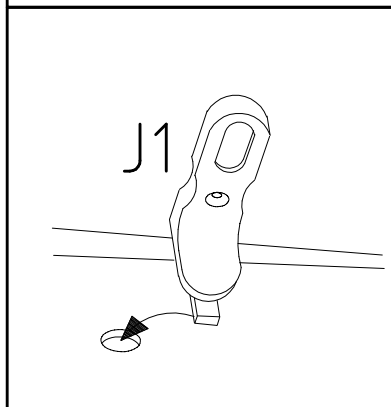
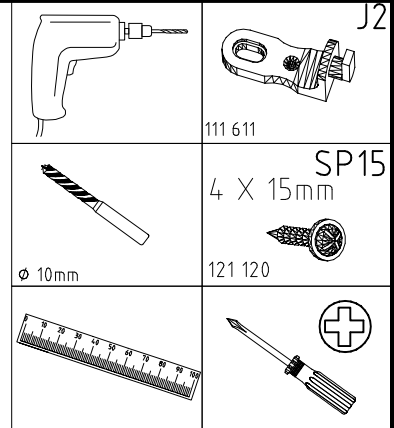
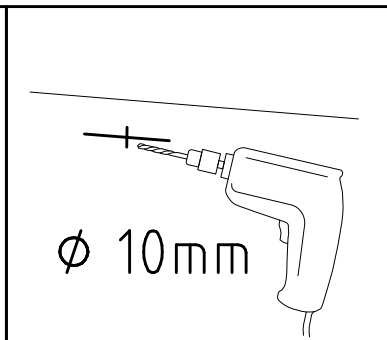
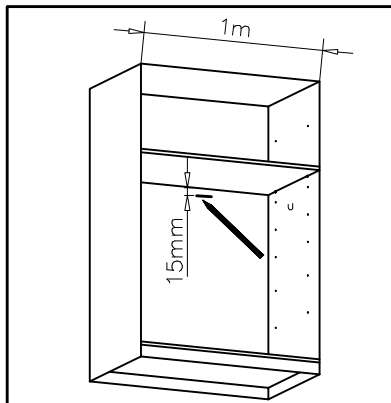
26



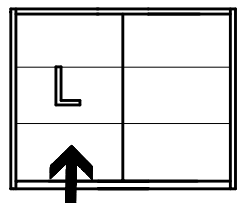
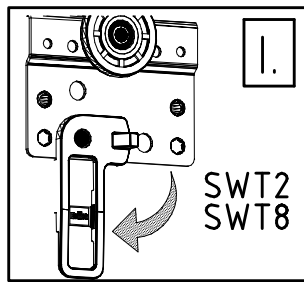
27



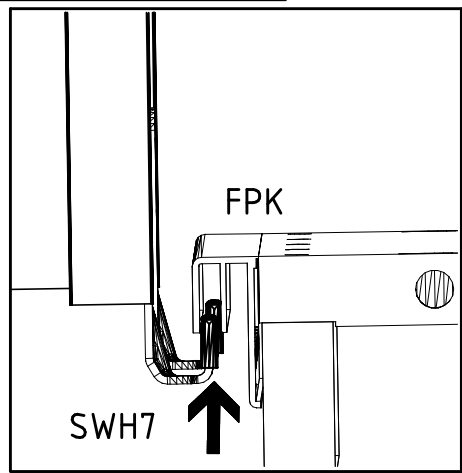
28



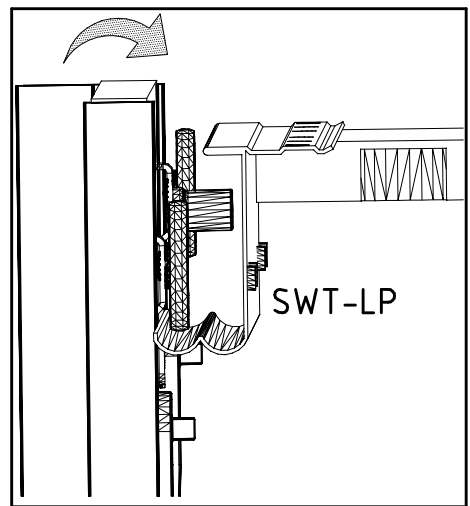
29



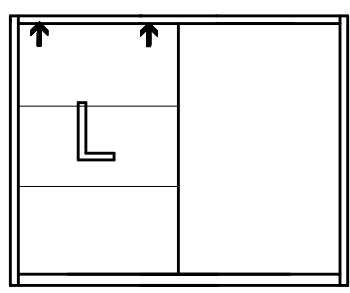
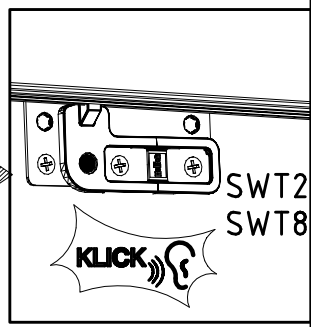
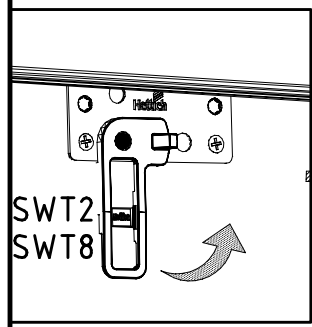
I.



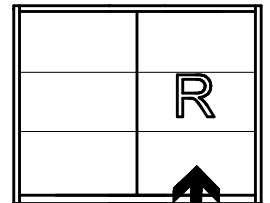
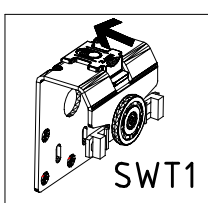
III.



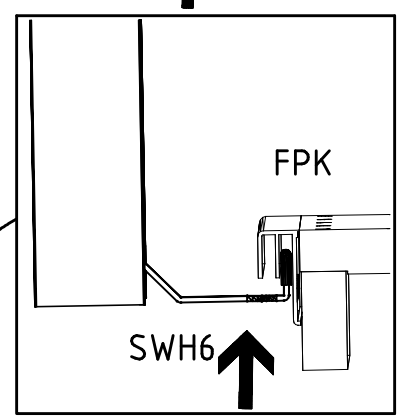
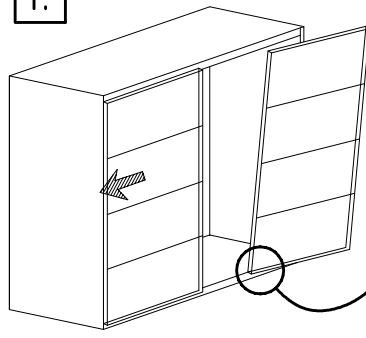
IV.



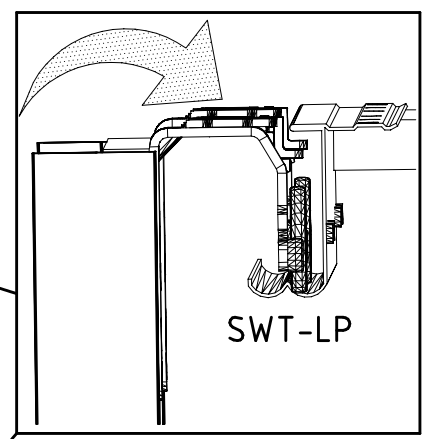
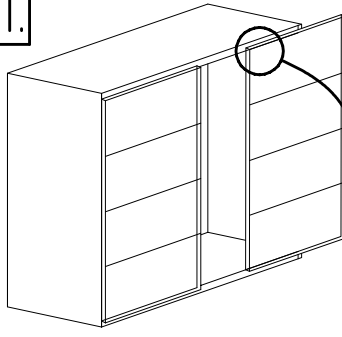
30



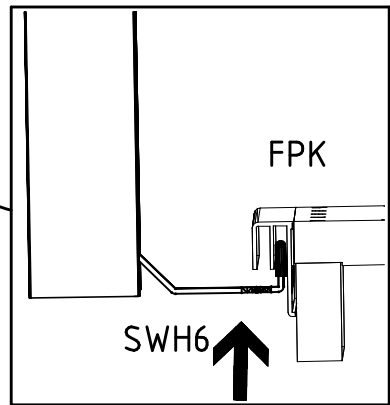
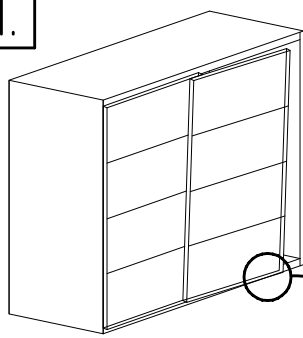
I.



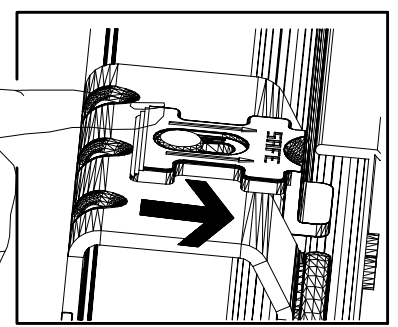
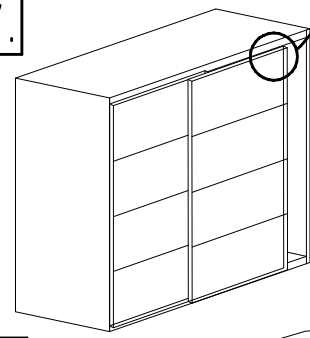
II.



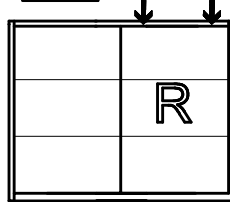
III.



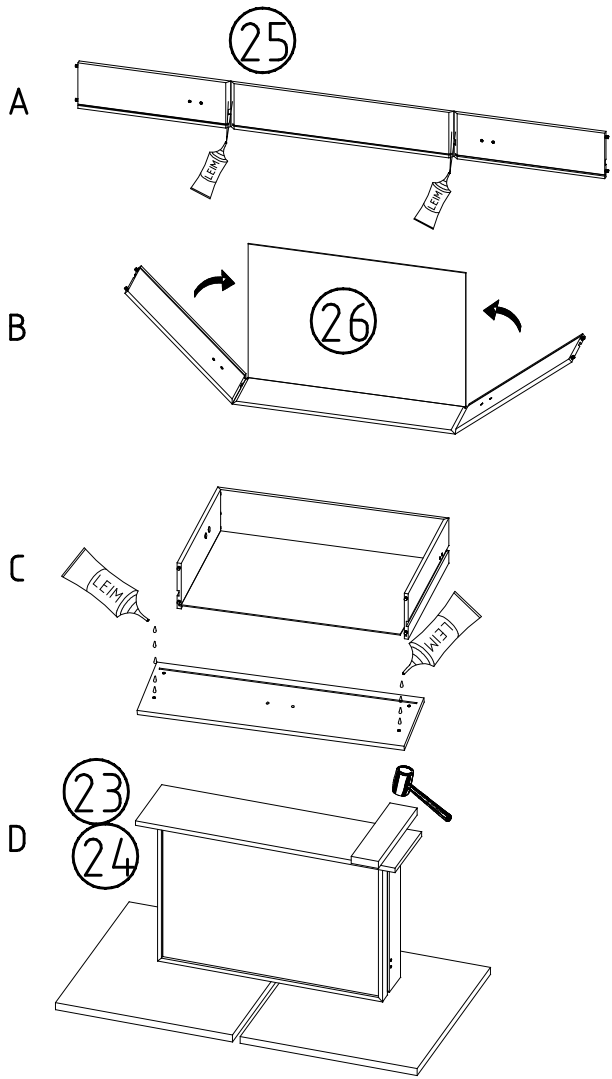
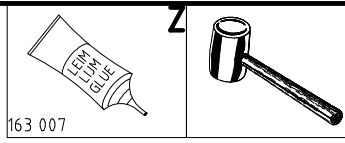
IV.



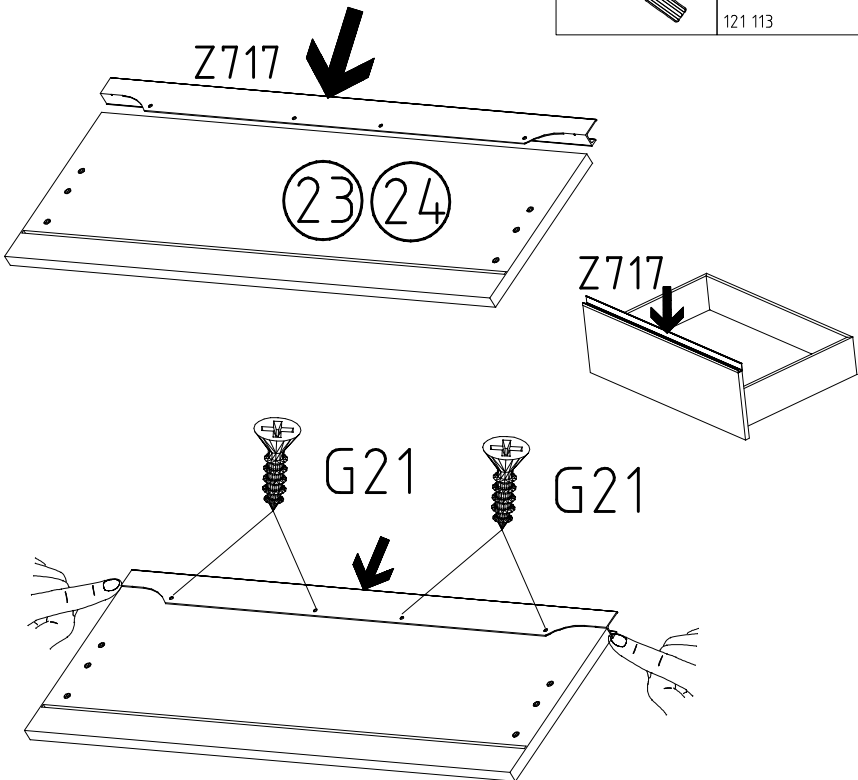
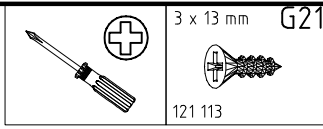
V.



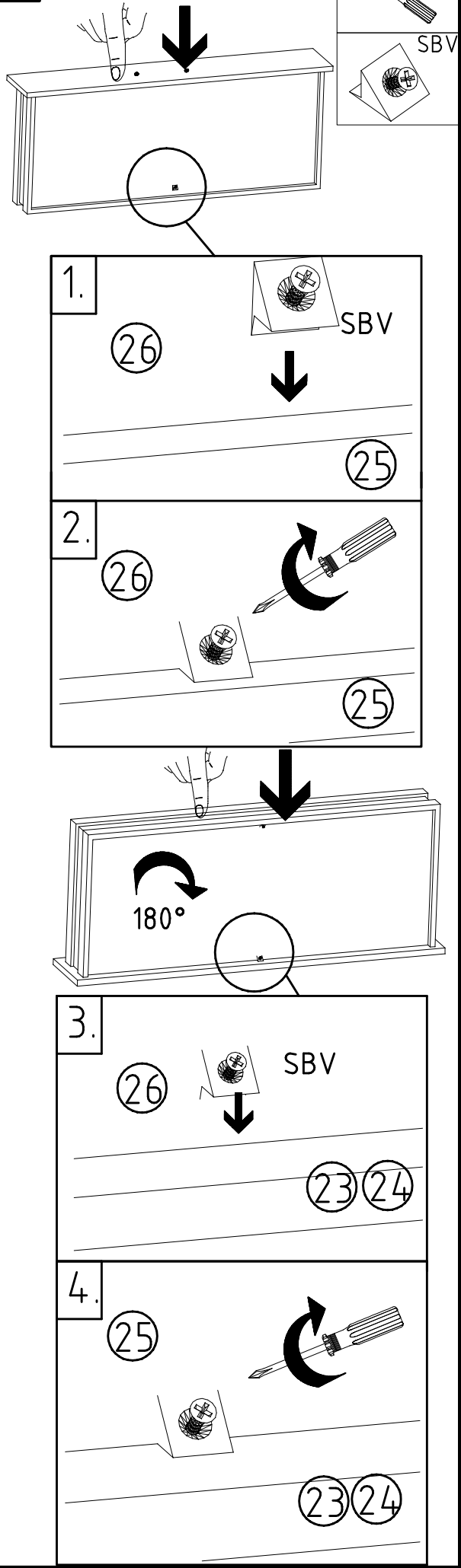
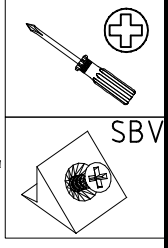
31



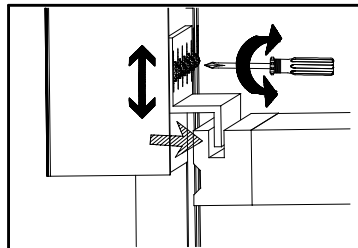
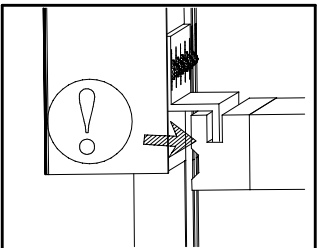
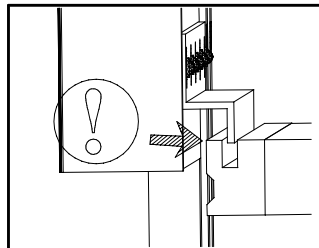
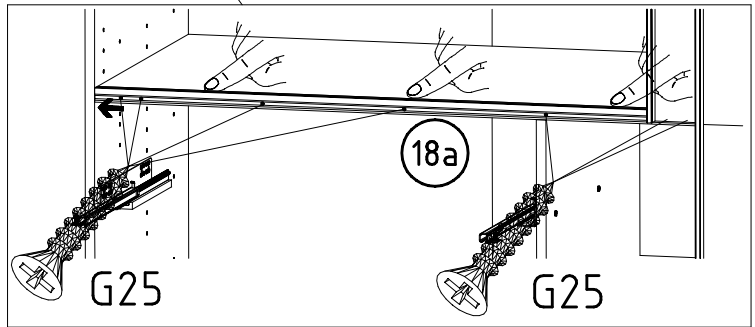
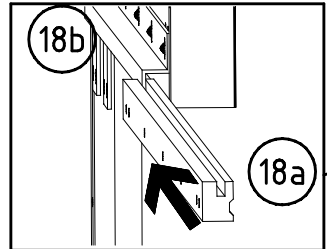
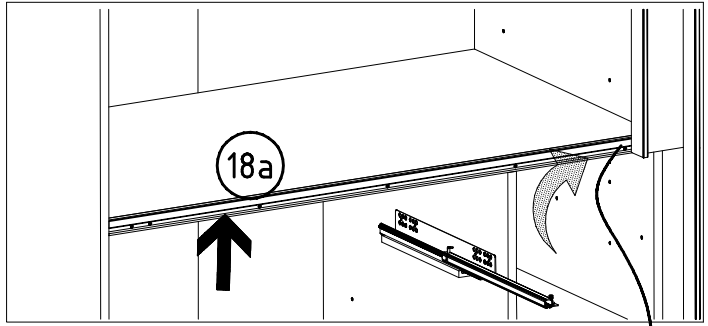
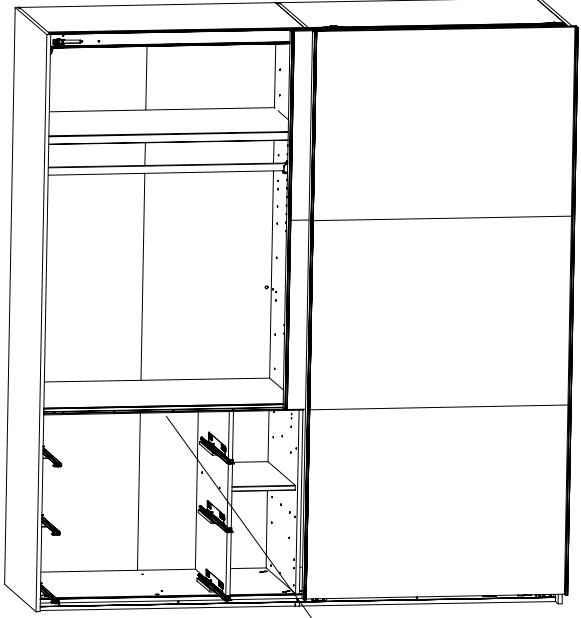
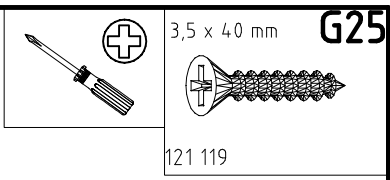
32



33



34



35

