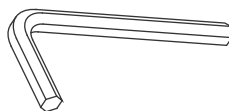
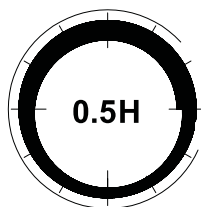
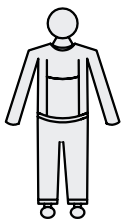
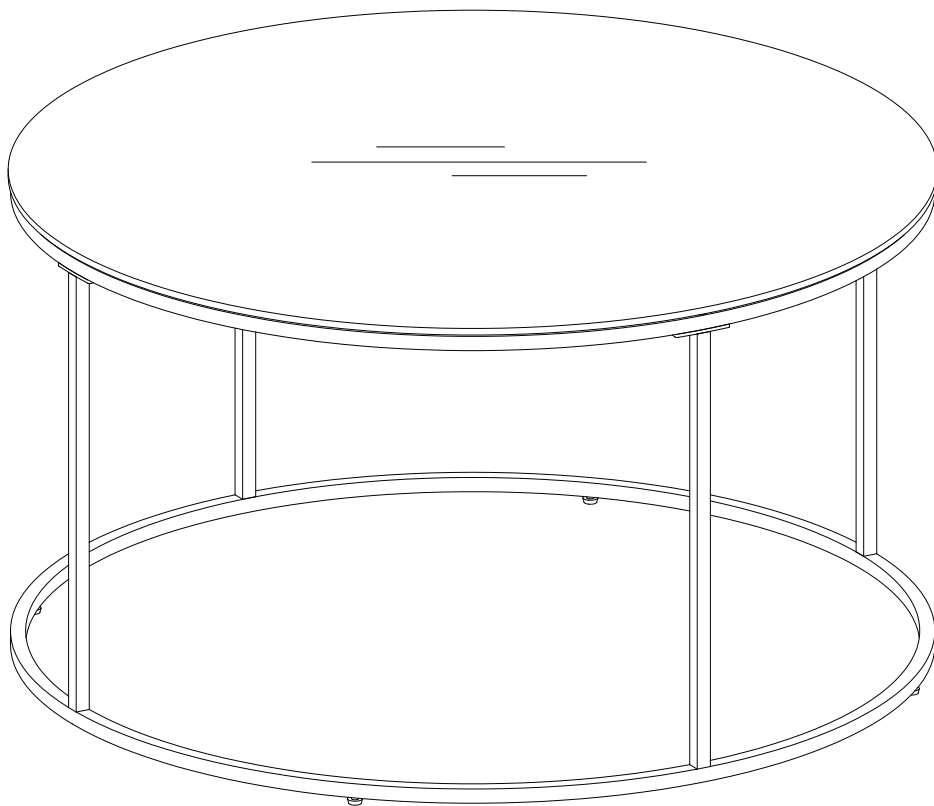
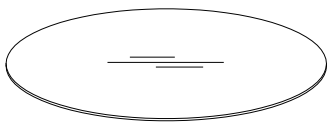
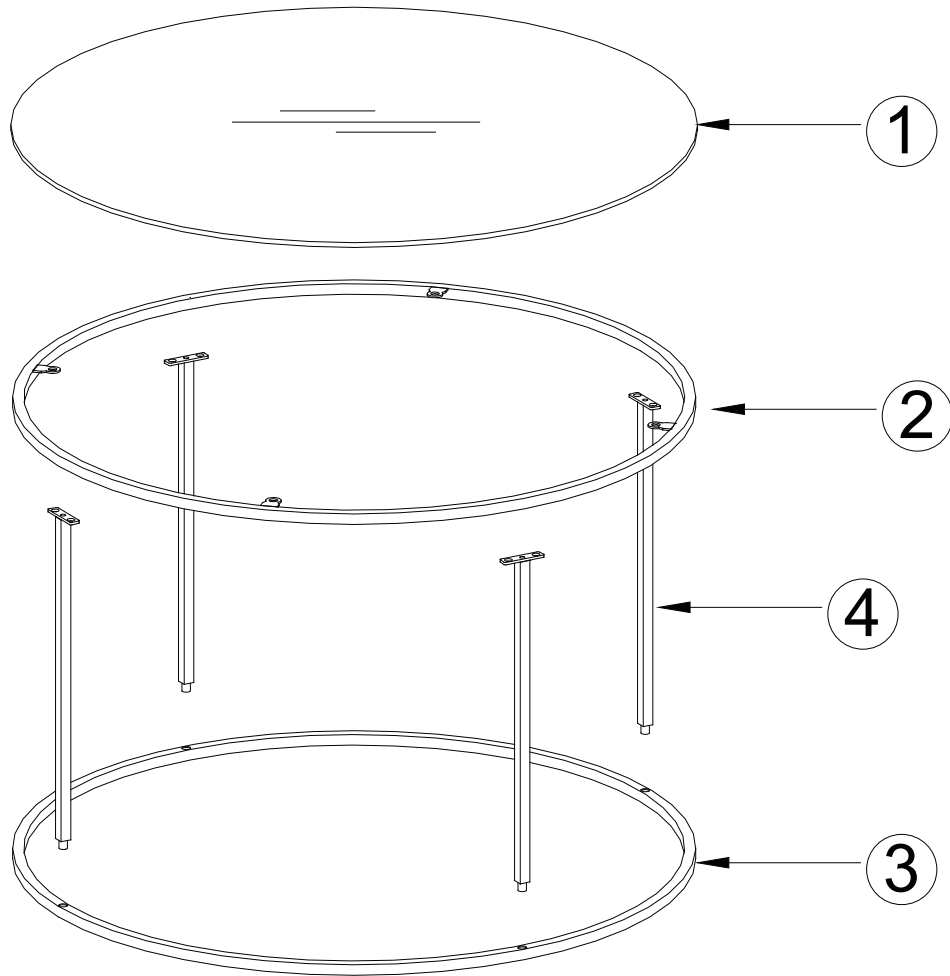


---

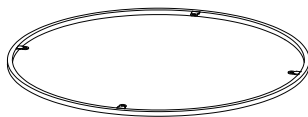
# Bolton-coffee table



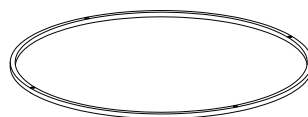
# Bolton-coffee table



1(x1)



2(x1)



3(x1)



4(x4)

M6x10mm  
Ax12



Ø30  
Bx4



4mm  
Cx4

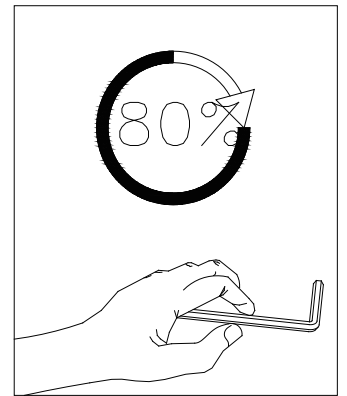
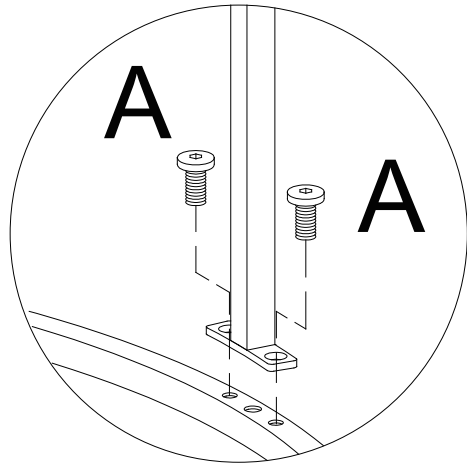
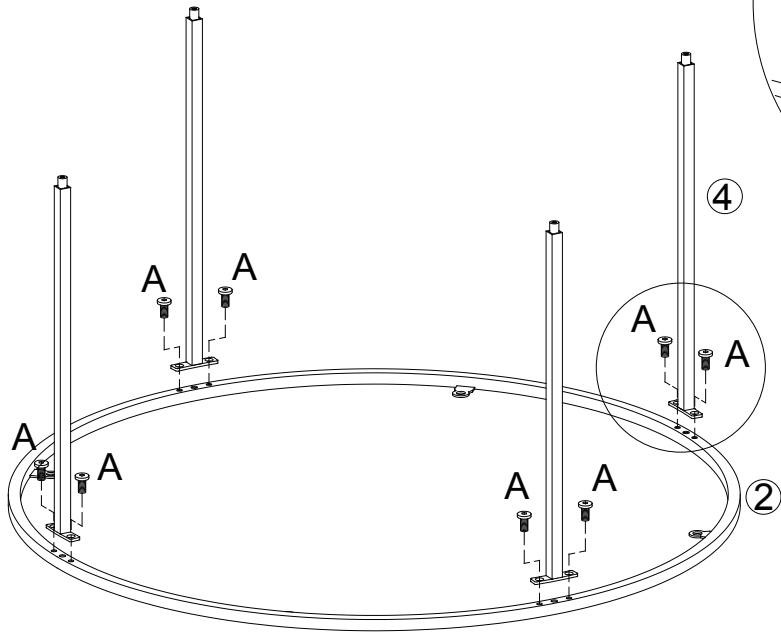


Ø13  
Dx4

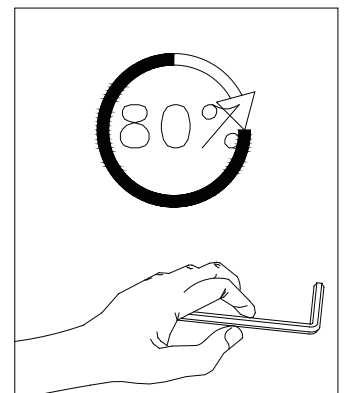
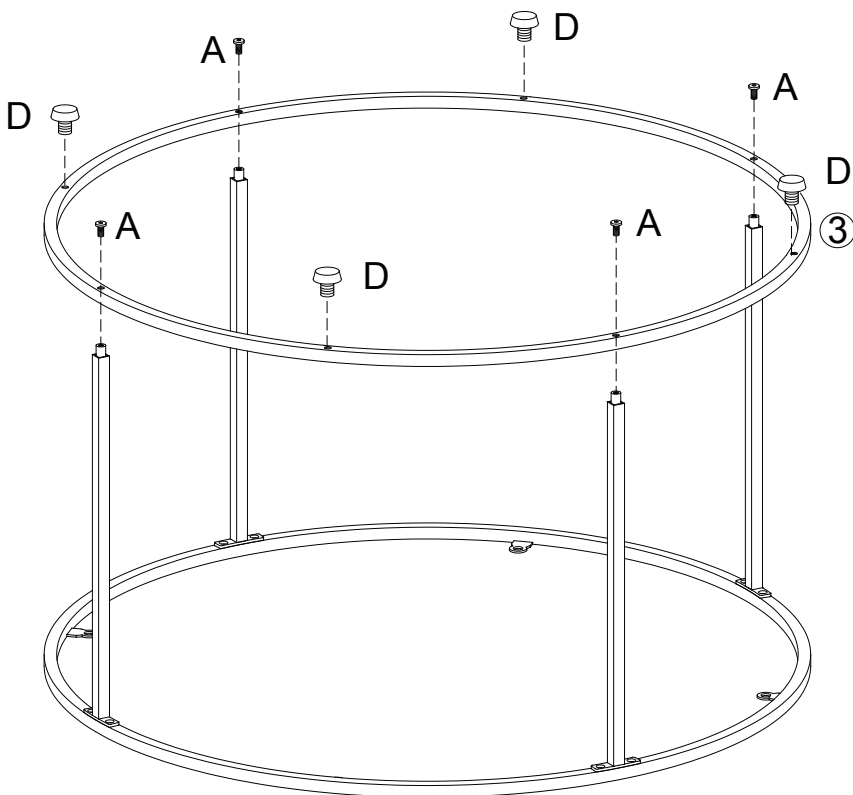


# Bolton-coffee table

1



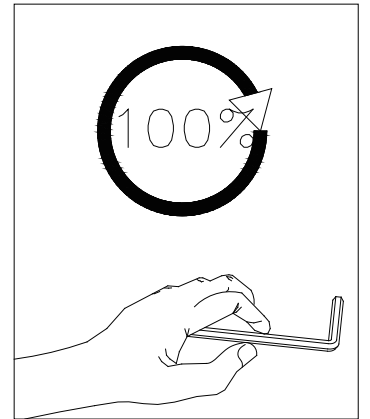
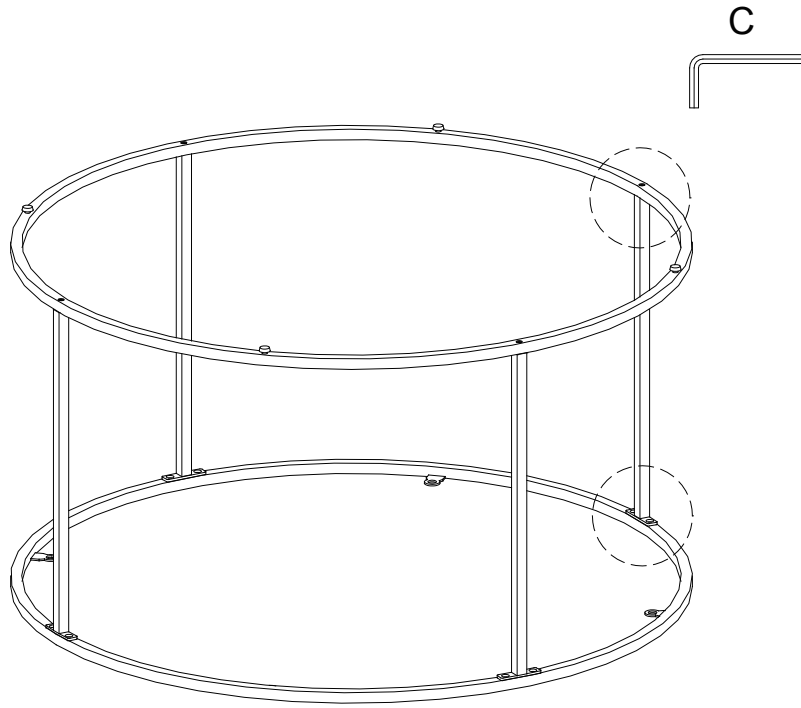
2



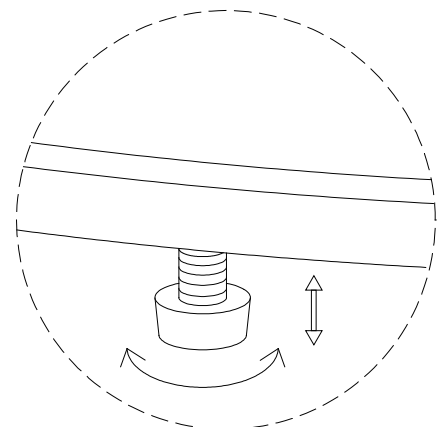
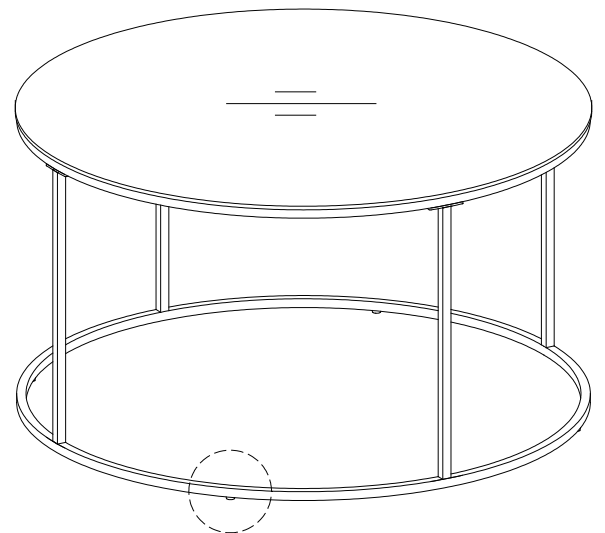
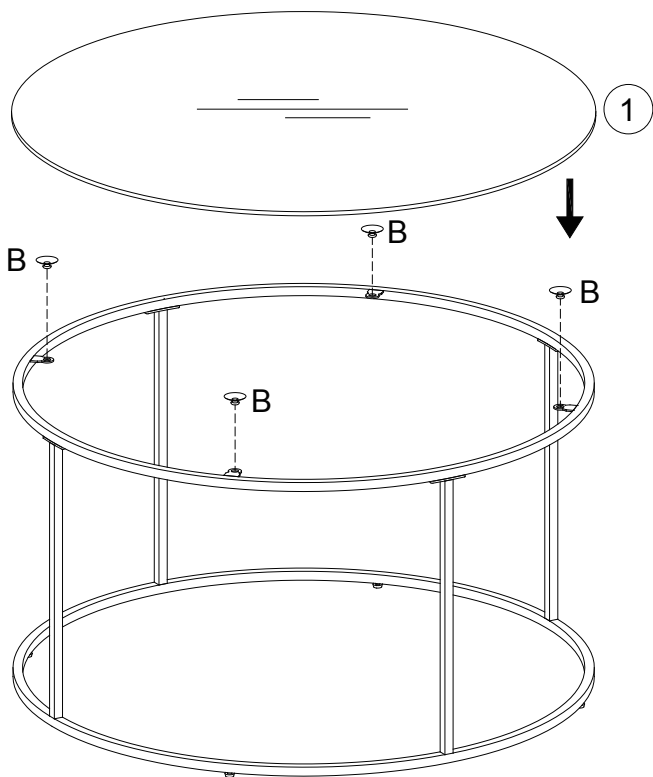
3-4

# Bolton-coffee table

3



4



4-4