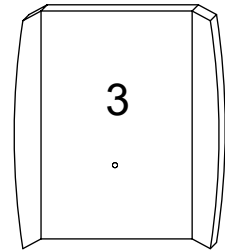
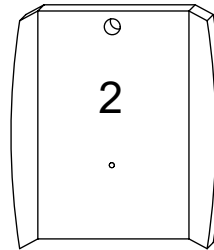
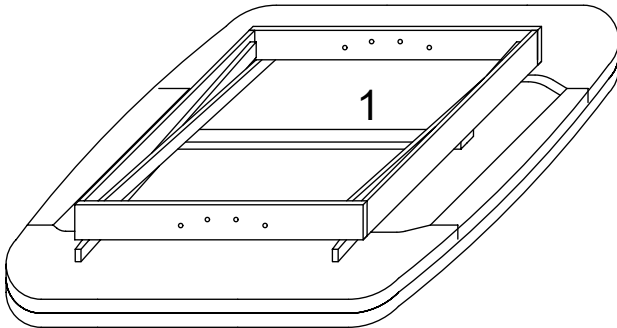
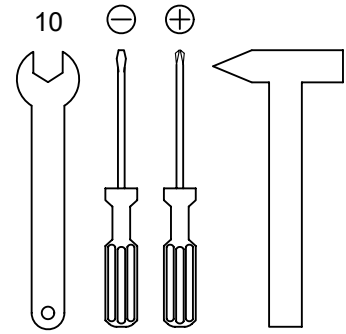
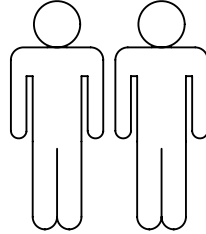
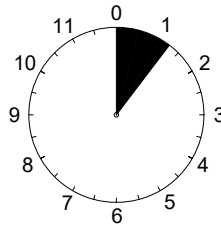
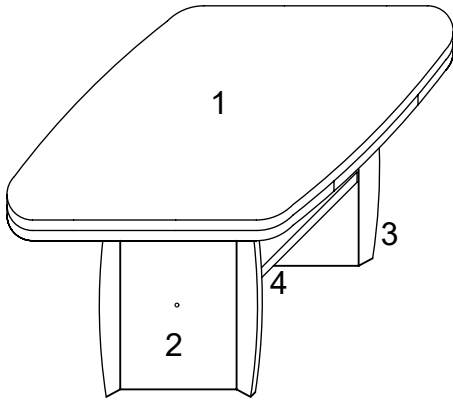
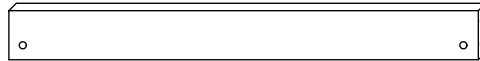


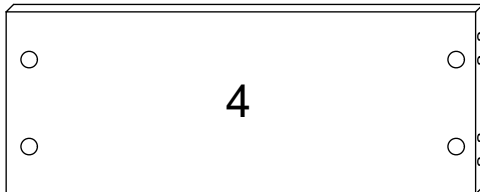
"Michael III"



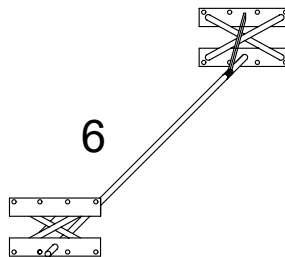
5



4



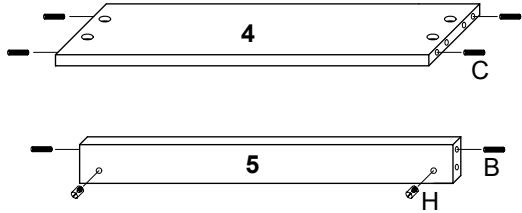
6



| | |
|---|----|
| 1 | 1x |
| 2 | 1x |
| 3 | 1x |
| 4 | 1x |
| 5 | 1x |
| 6 | 1x |

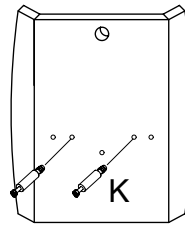
| | | | | | | | | | | | |
|---|------------|---|-------------|---|------------|---|------------|---|------------|---|----------|
| A | 6x70 2x | B | 10x30 2x | C | 8x30 4x | D | 6x35 1x | E | 6x35 8x | F | 8x 8x |
| G | 4x20 8x | H | 2x | K | 4x | L | 4x | M | 1x | N | 4x |

1.



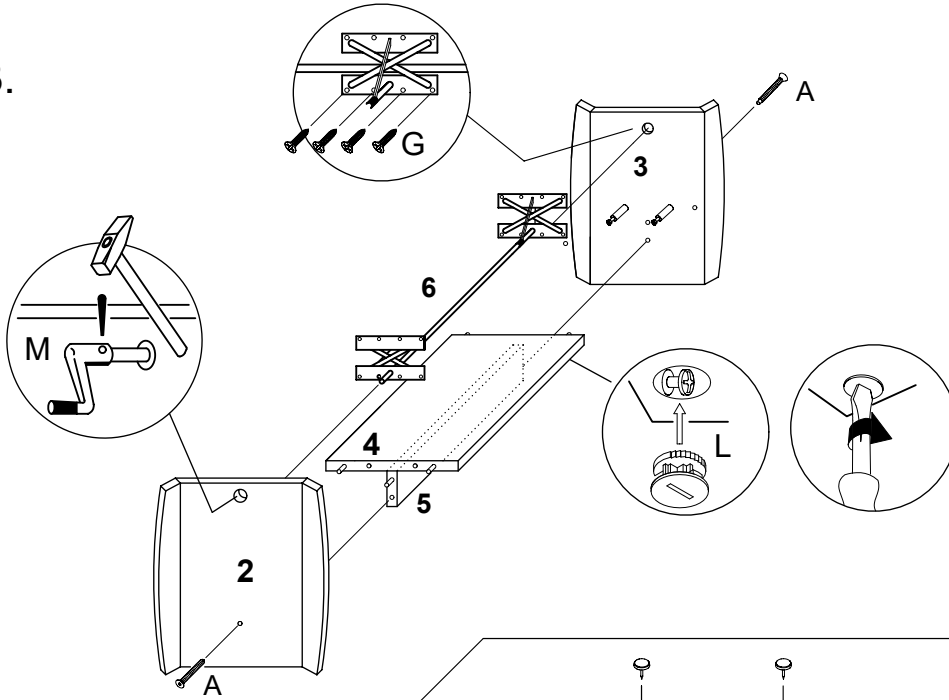
- B 10x30 2x
- C 8x30 4x
- H 2x

2.



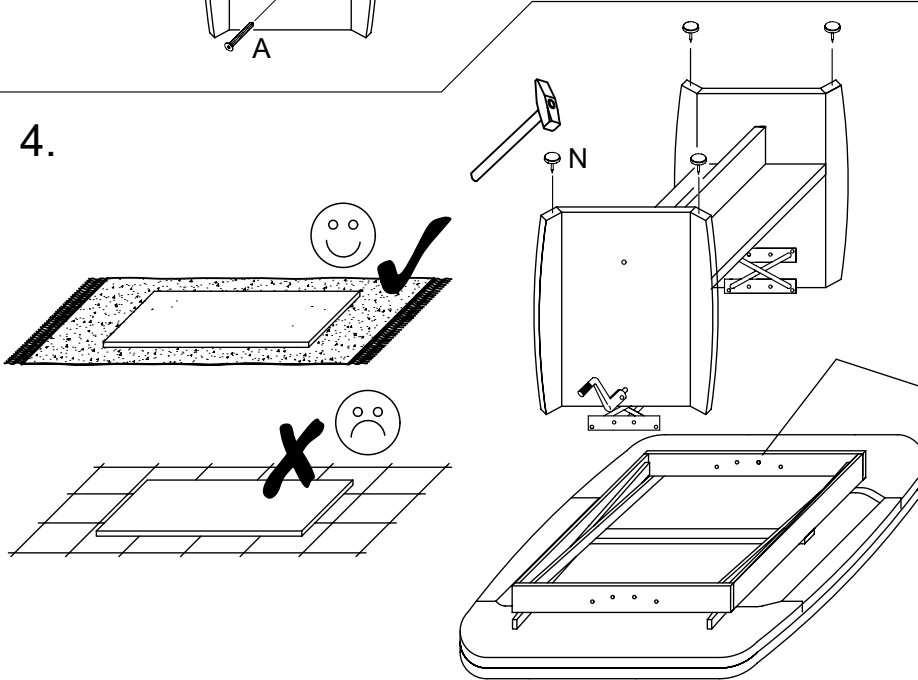
- K 4x
- 2+3

3.

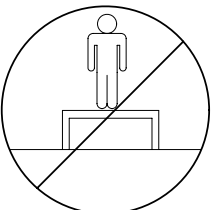
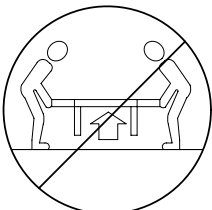
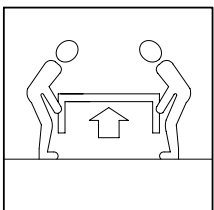


- A 6x70 2x
- G 4x20 8x
- M 1x
- L 4x

4.



- E 6x35 8x
- F 8x
- N 4x



LE TRI + FACILE



Séparez les éléments avant de trier