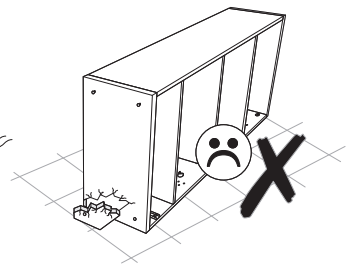
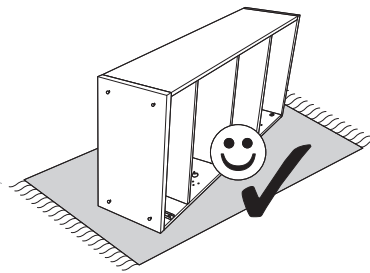
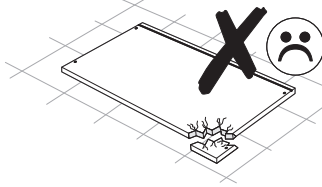
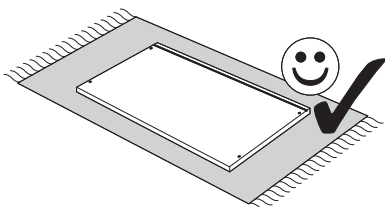
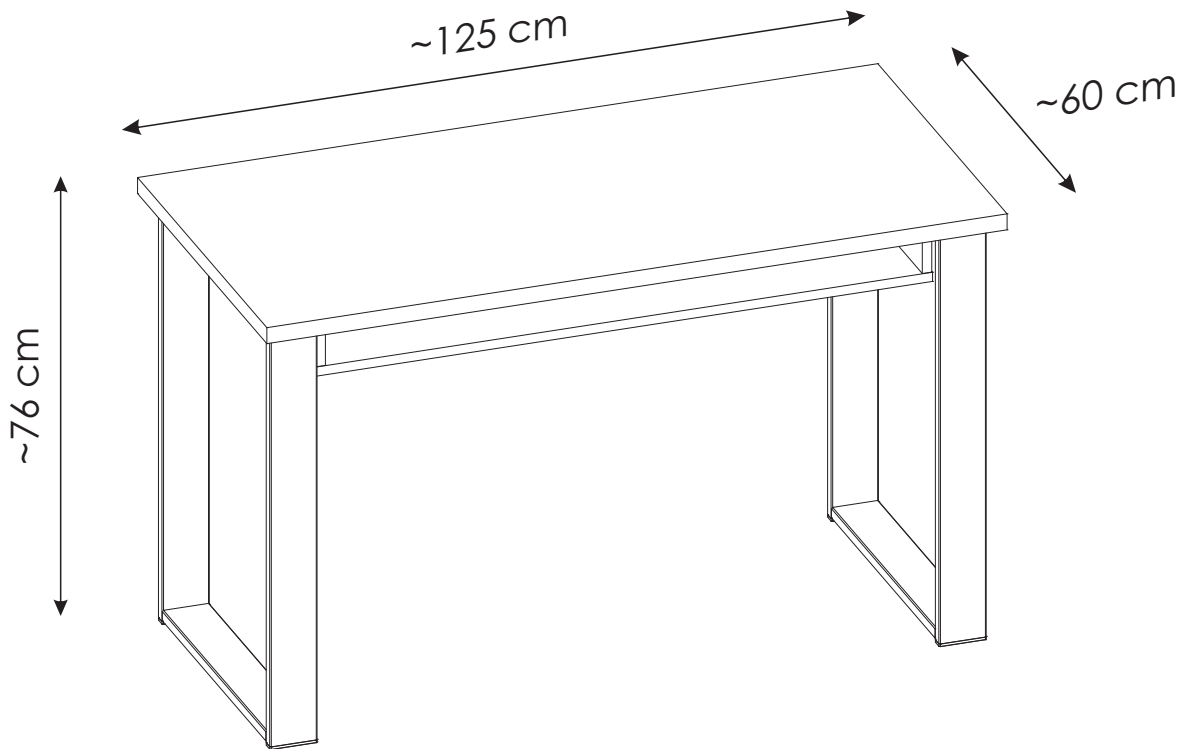
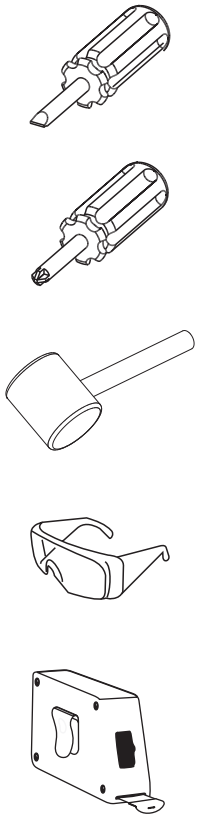
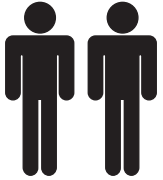
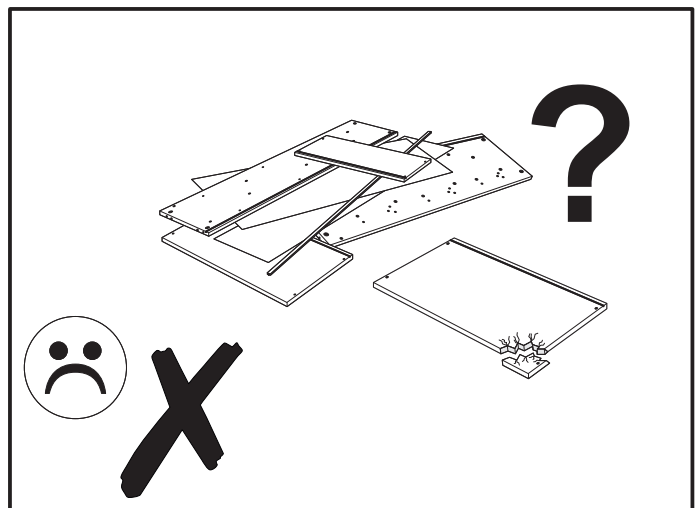
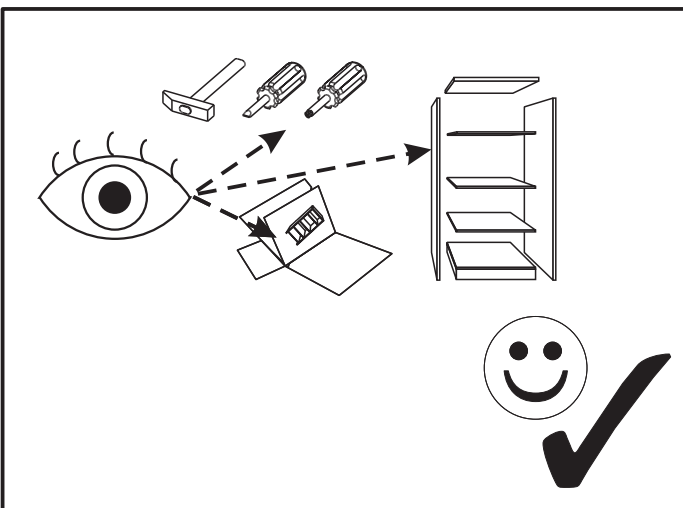
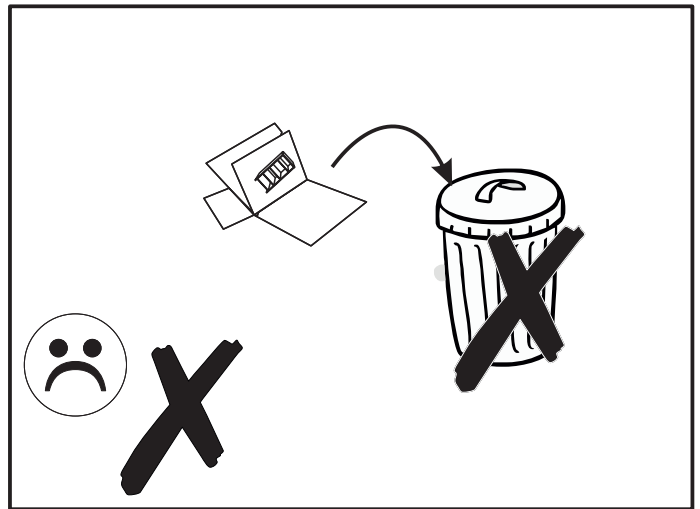
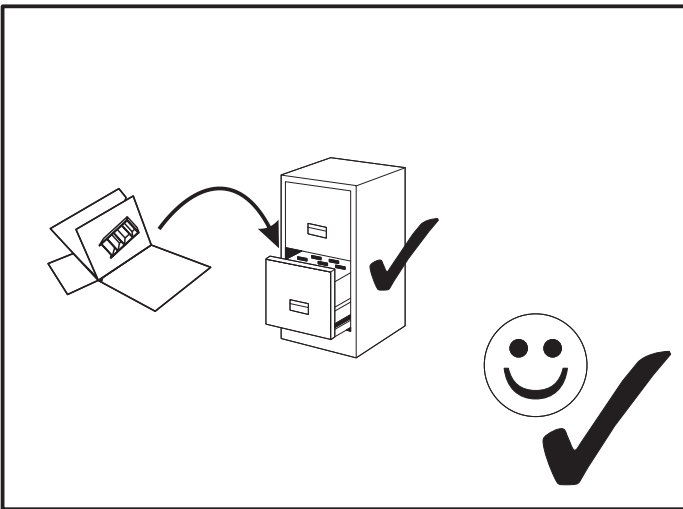
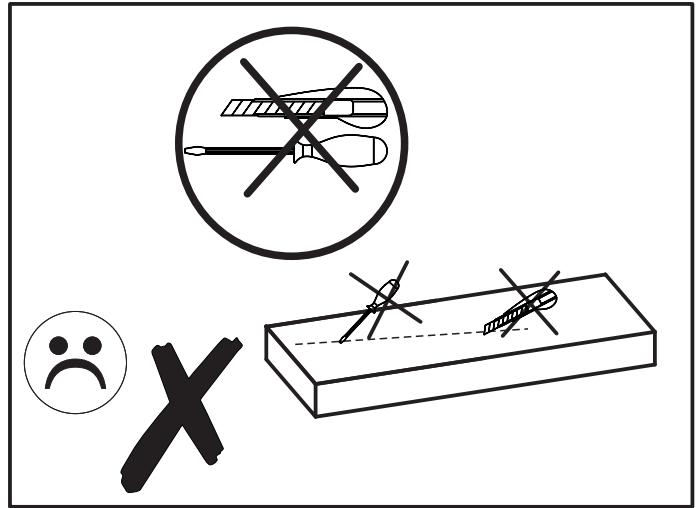
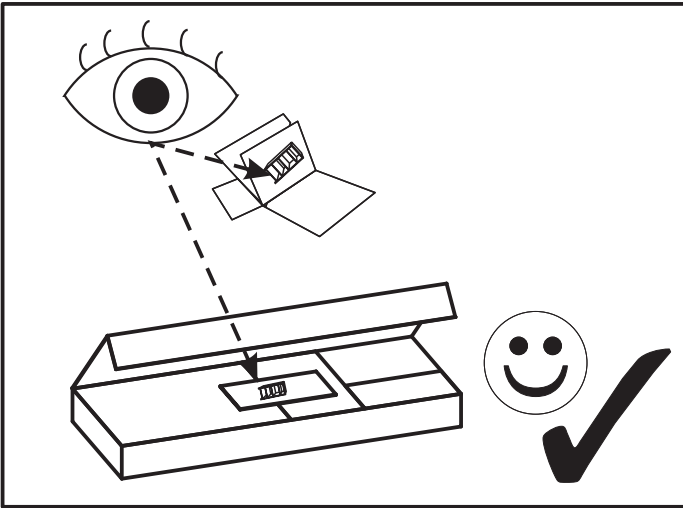


1YYASC06/1PPASC06

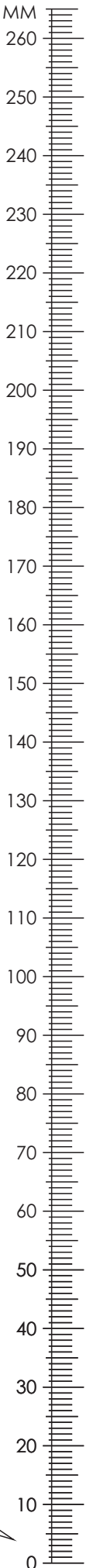





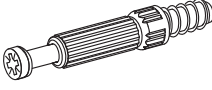


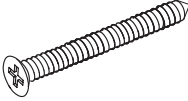
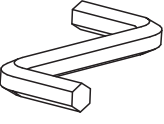
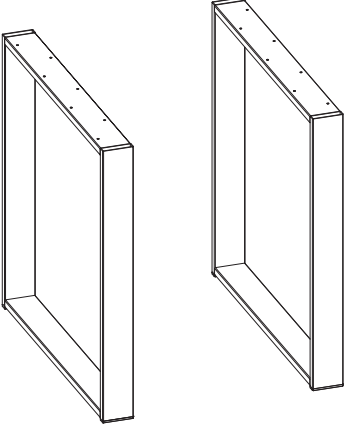
50 MIN

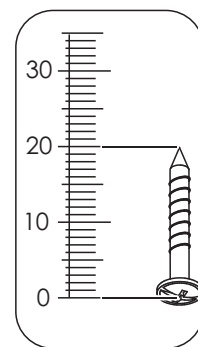




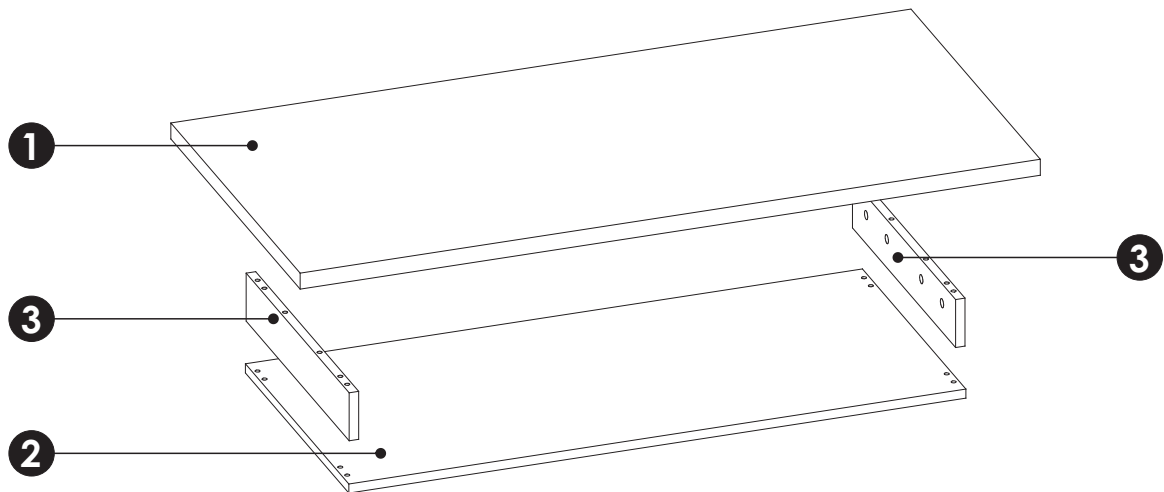
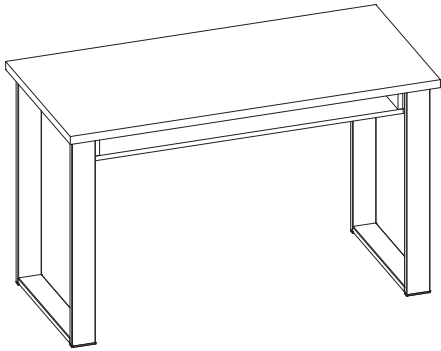
1YYASC06/1PPASC06



A1 8 x 35 mm x8 	E0 Ø16 x8 	E1 15 x 12 mm x8 
F1 6 x 34 mm x8 	G0 x4 	G1 7 x 50 mm x4 
J14 4 x 45 mm x14 	M x1 	
H1 x1 		



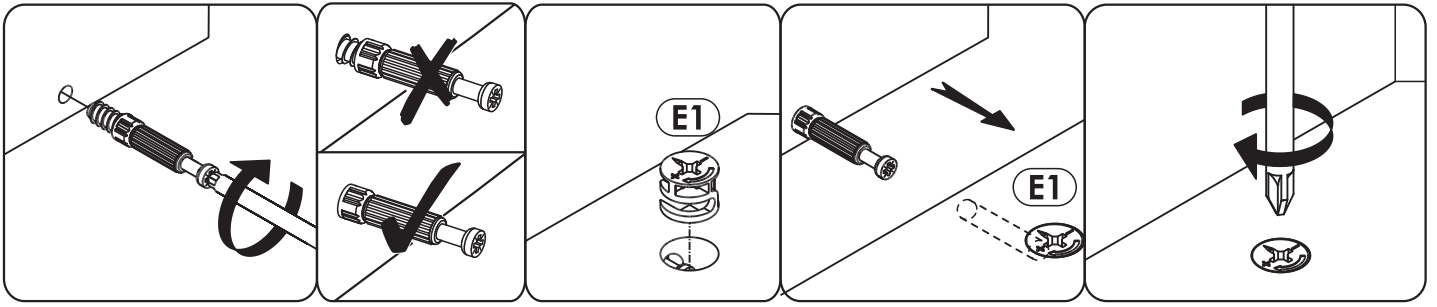
1YYASC06/1PPASC06



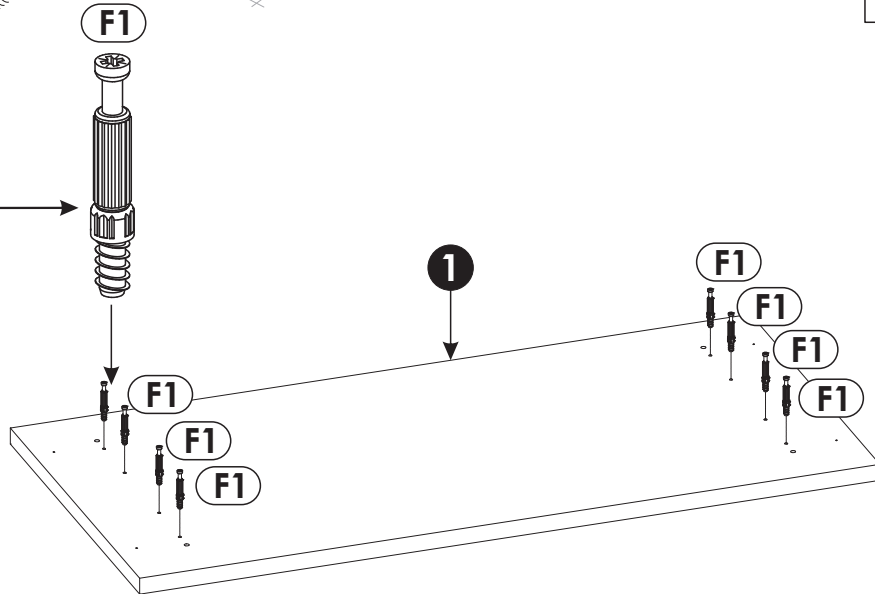
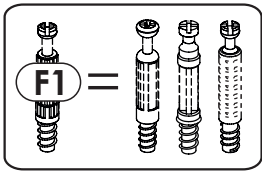
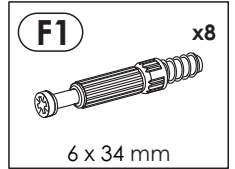
1	1250	600	28	x1	1/2
----------	------	-----	----	----	-----

2	1042	480	16	x1	1/2
----------	------	-----	----	----	-----

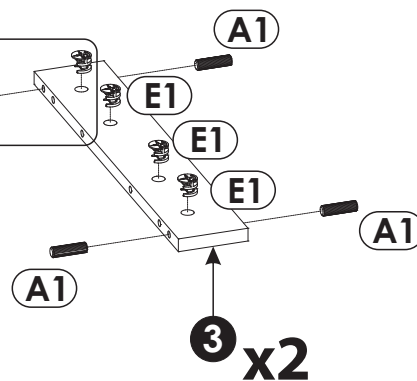
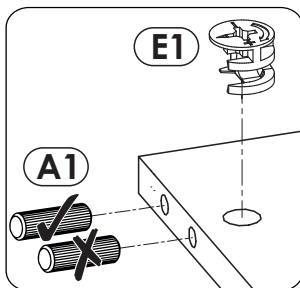
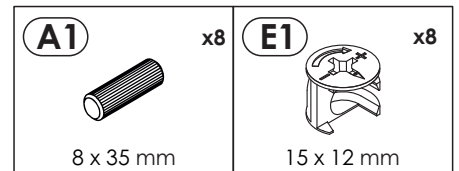
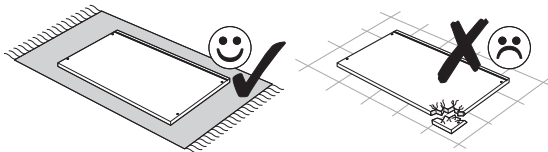
3	84	478	16	x2	1/2
----------	----	-----	----	----	-----



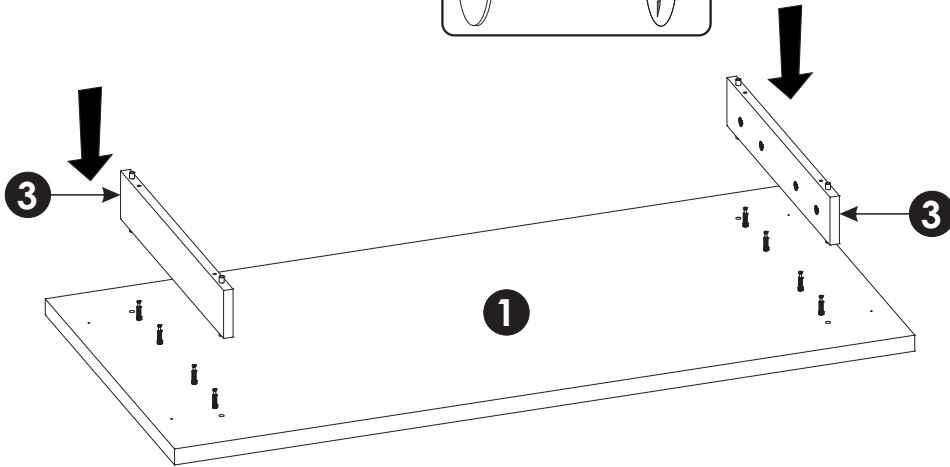
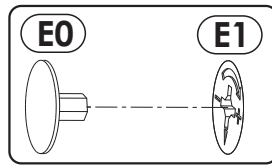
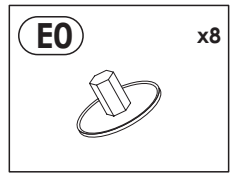
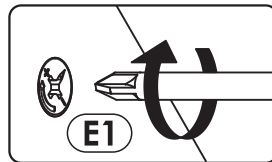
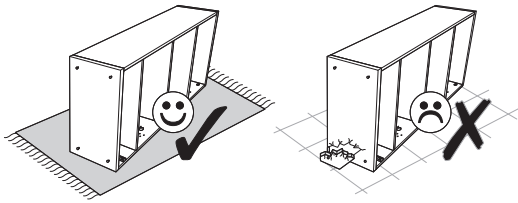
1 ▶



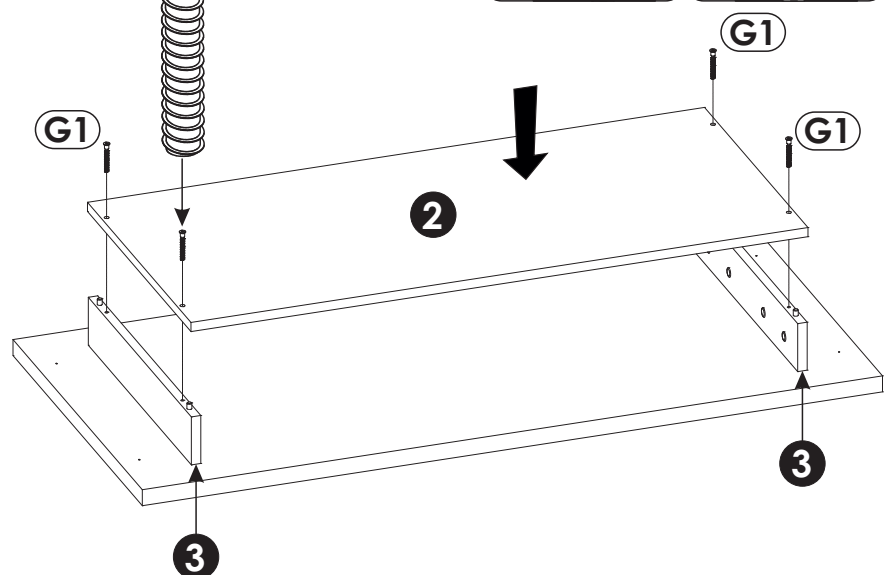
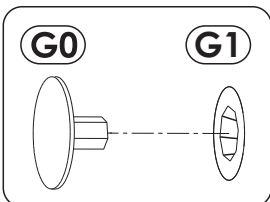
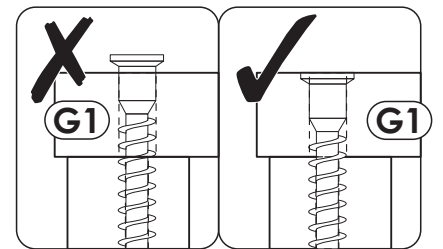
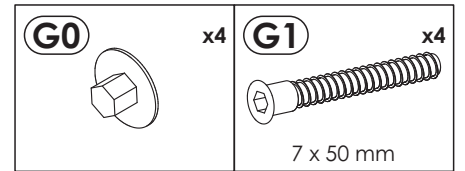
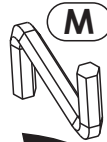
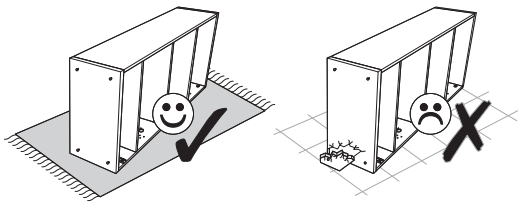
2 ▶



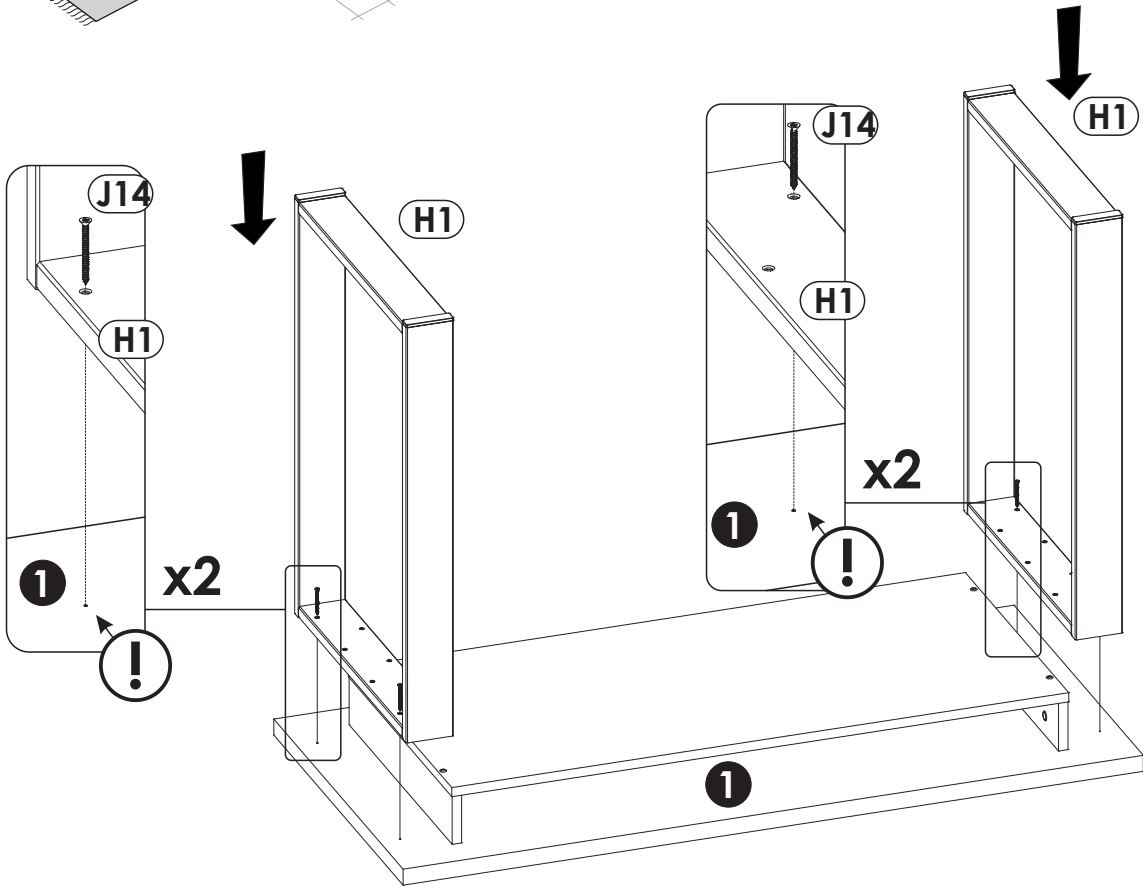
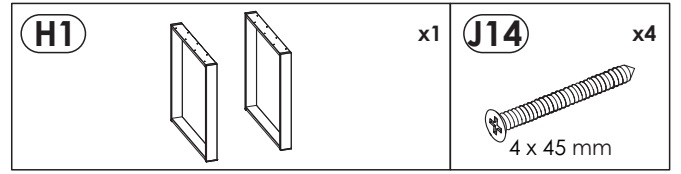
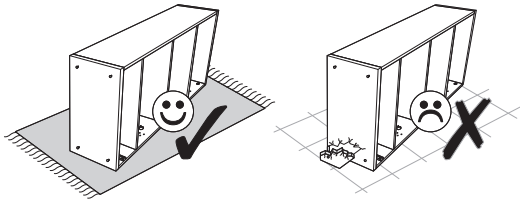
3 ▶



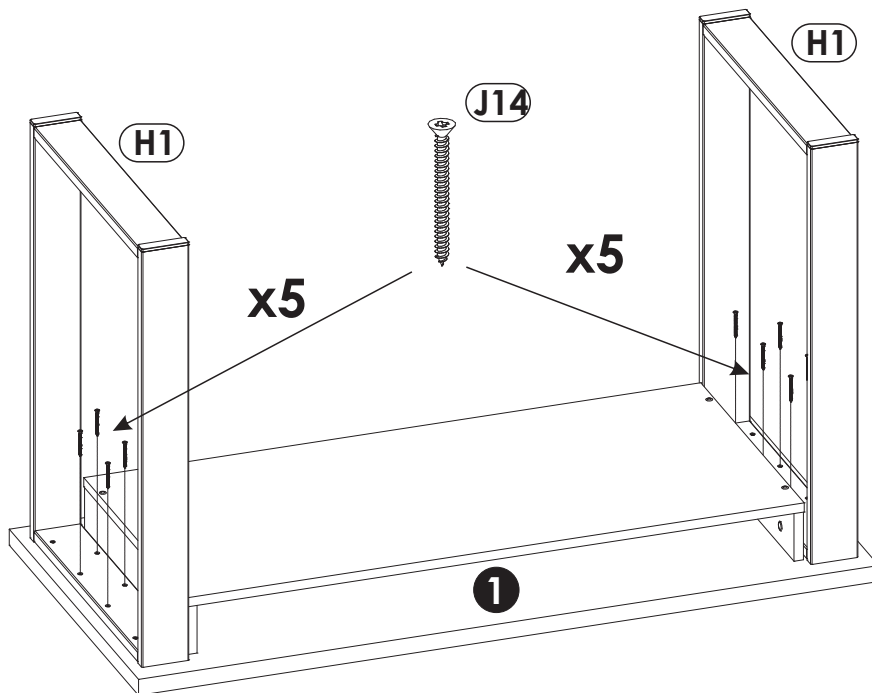
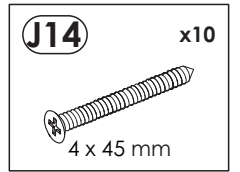
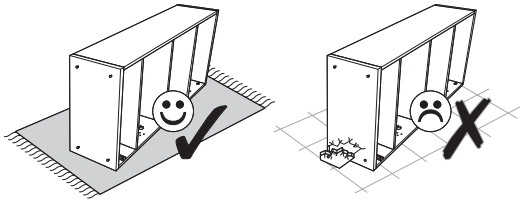
4 ▶



5 ▶



6 ▶



7 ▶

