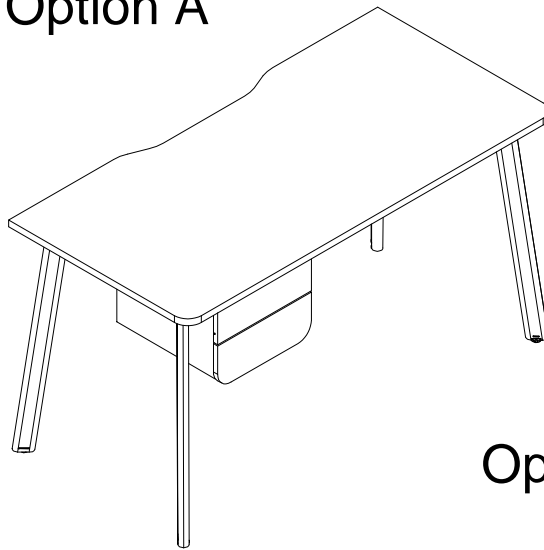


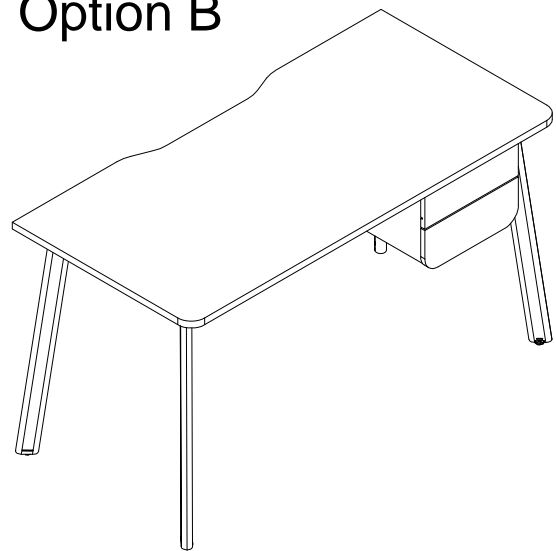
Art. Nr. 8547 7121, 6281 4401

LKZ 41164

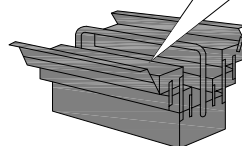
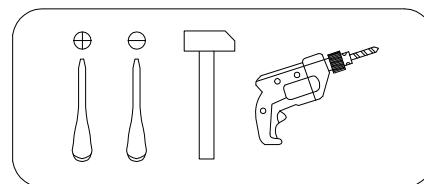
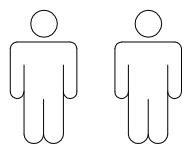
Option A

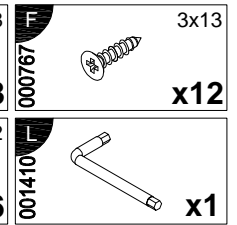
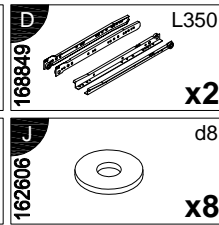
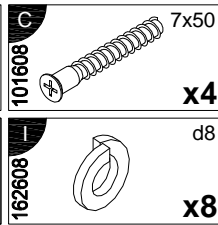
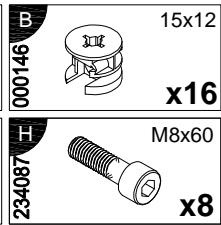
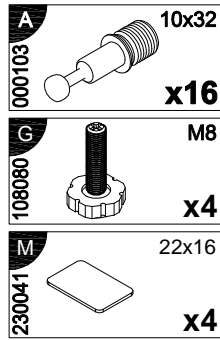


Option B



- | | |
|---|-------------------------------------|
| (D) Montageanleitung | (GB) Assembly instructions |
| (FR) Notice de montage | (IT) Istruzioni di montaggio |
| (NL) Handleiding voor de montage | (PL) Instrukcja montazu |
| (CZ) Montážní návod | (SK) Návod na montáž |
| (HU) Szerelési útmutató | (RO) Instrukțiuni de montaj |
| (TR) Montaj talimati | (RU) Инструкция по монтажу |





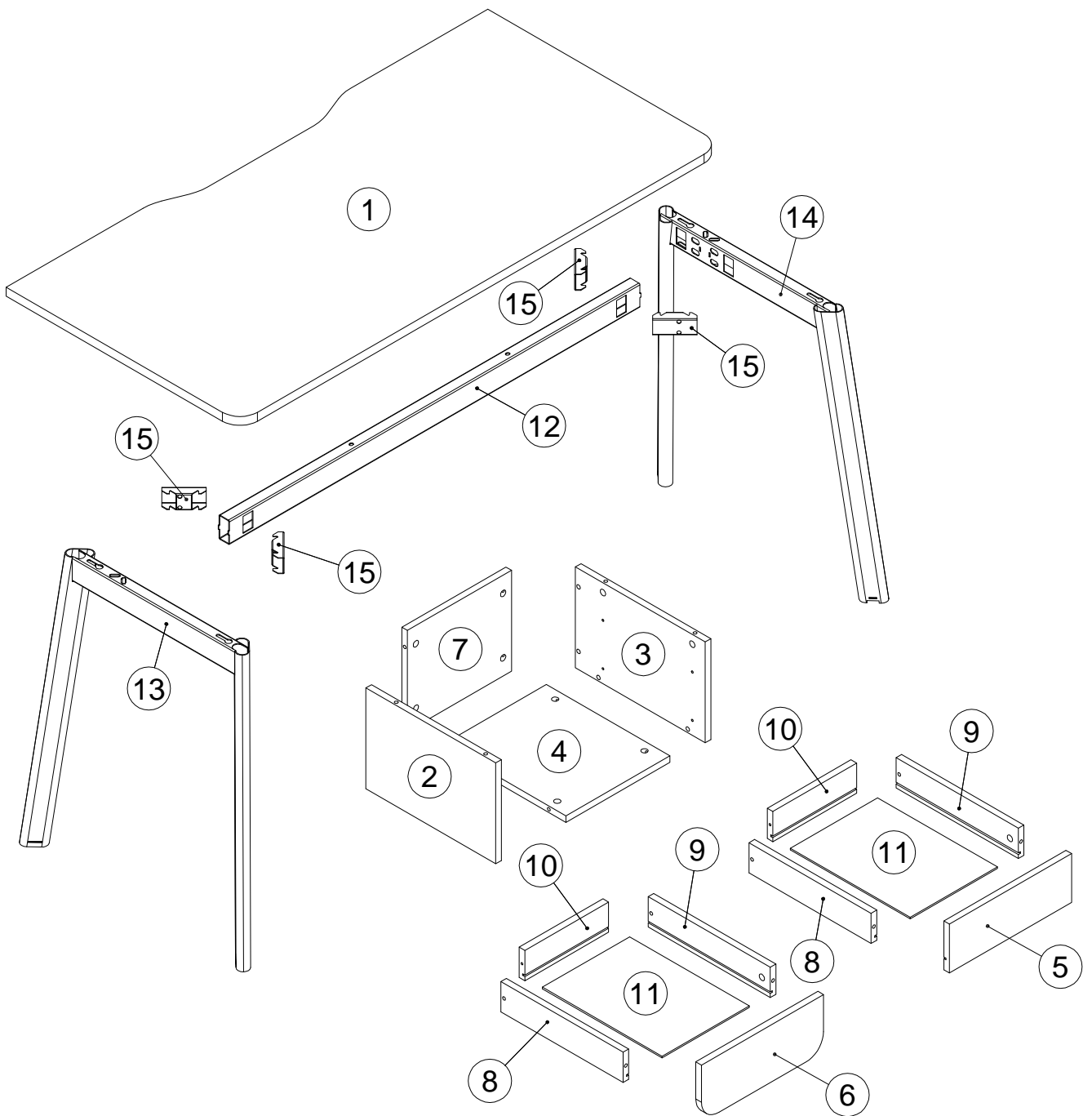
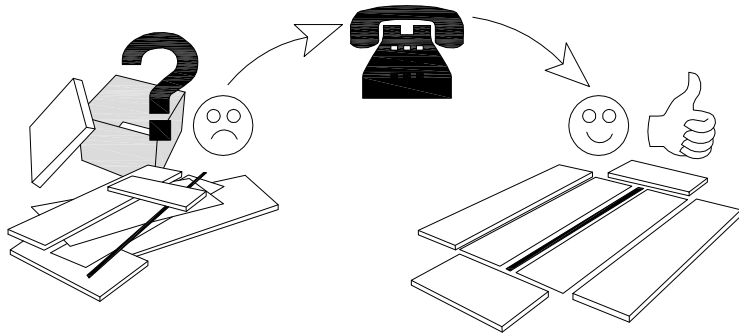
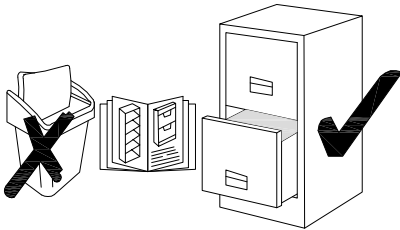
N	Size/MaB (mm)	Qty	✓	N	Size/MaB (mm)	Qty	✓
1	1580x670x22	1		8	350x75x16	2	
2	250x372x16	1		9	350x75x16	2	
3	250x372x16	1		10	240x75x16	2	
4	298x354x16	1		11	343x250x3	2	
5	350x121x16	1		12	1381x60x30	1	
6	350x142x16	1		13	720x650x105	1	
7	250x298x16	1		14	720x650x105	1	
				15	90x40x25	4	

Service - Dienstverlening - Serwis - Servis - Сервисная служба

Name - Naam - Nazwa - Isim - Название

Nr. - No. - Номер

Typ - Type - Тип - Тип



1

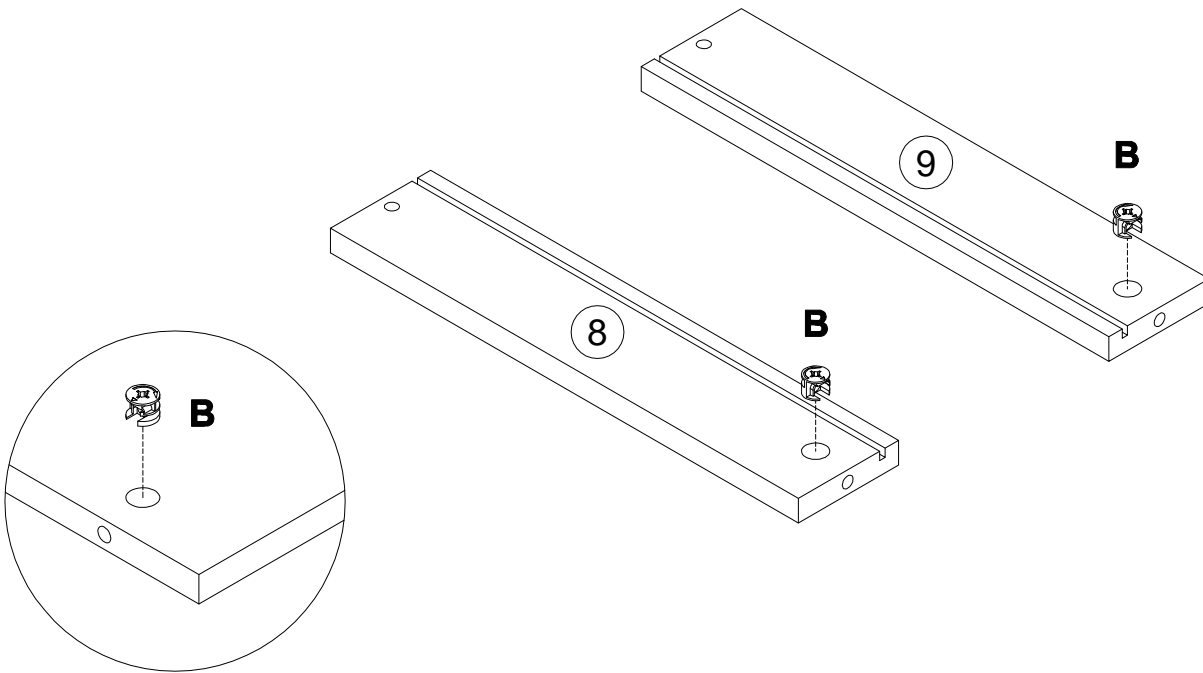
000146 B

15x12



x4

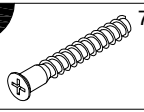
x2



2

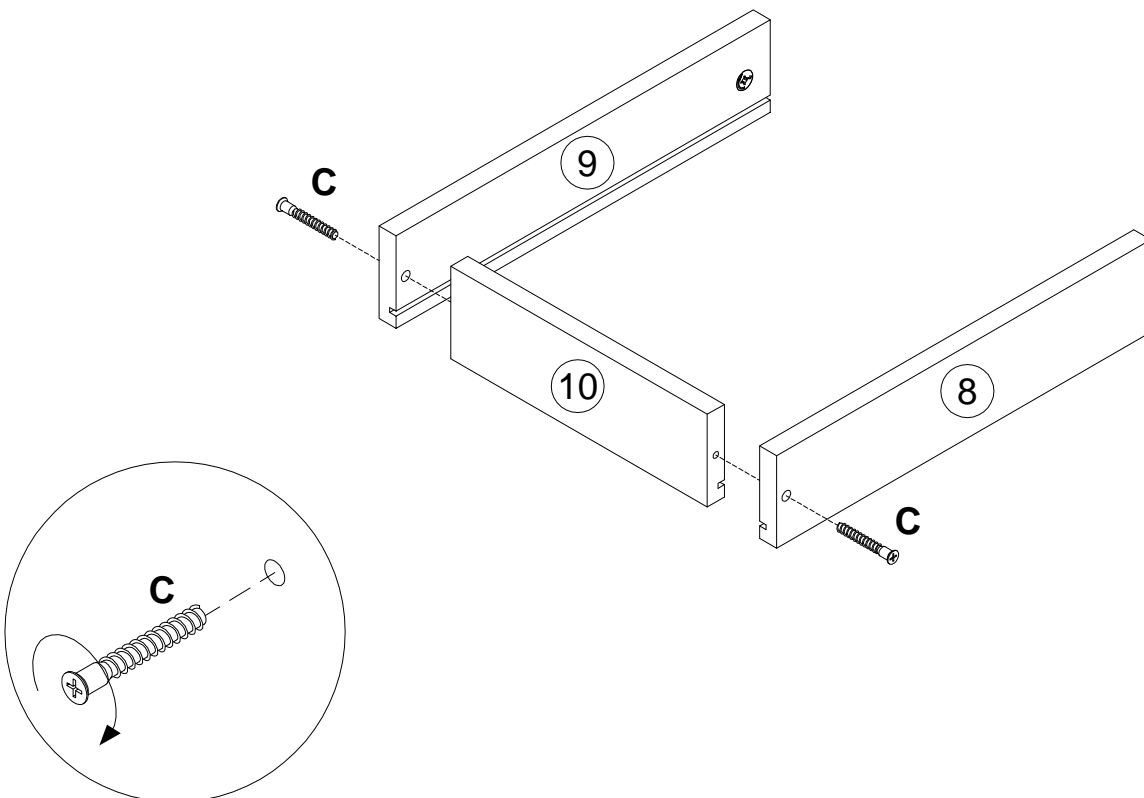
101608 C

7x50



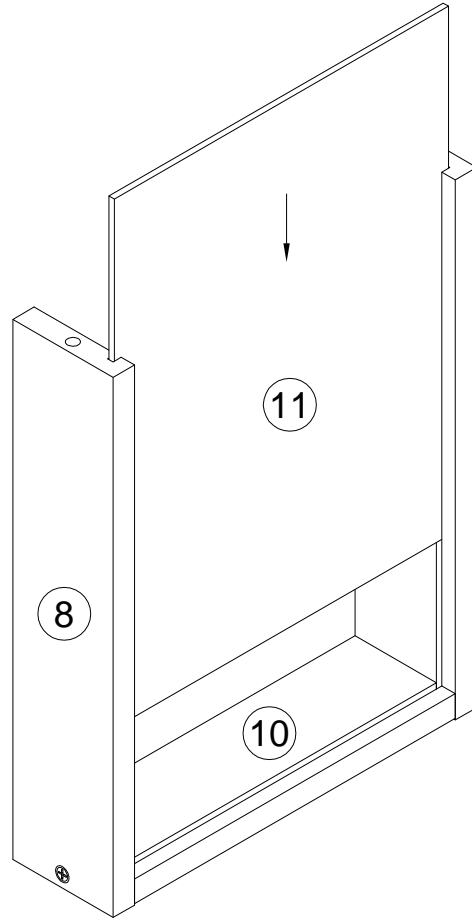
x4

x2

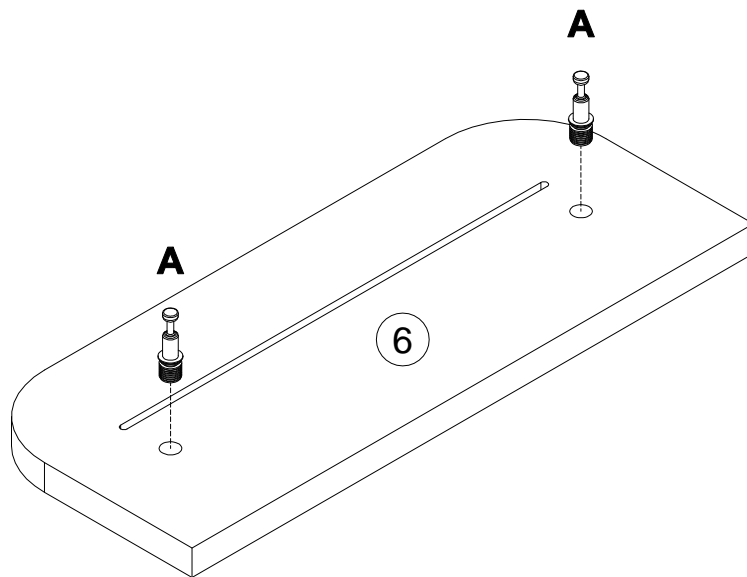
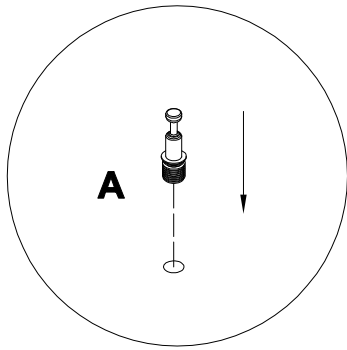
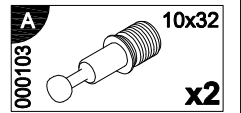


3

x2

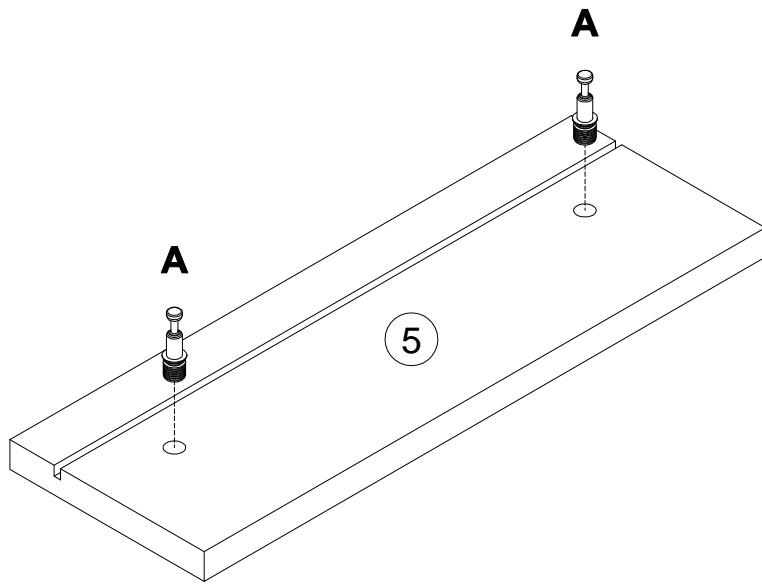
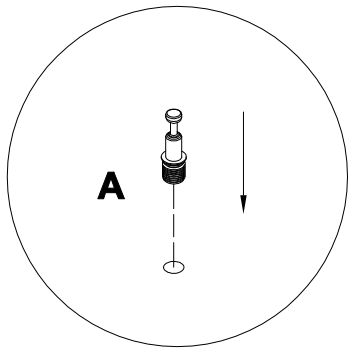
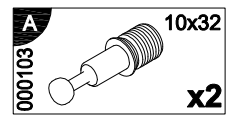


4

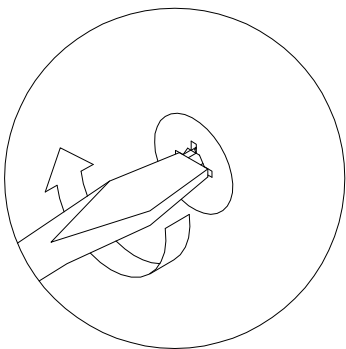
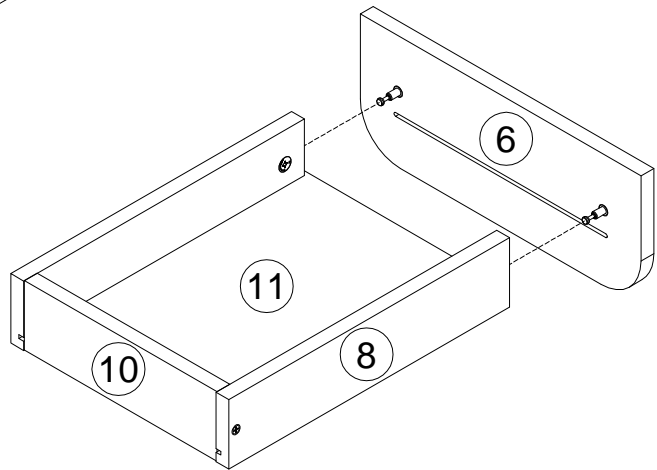
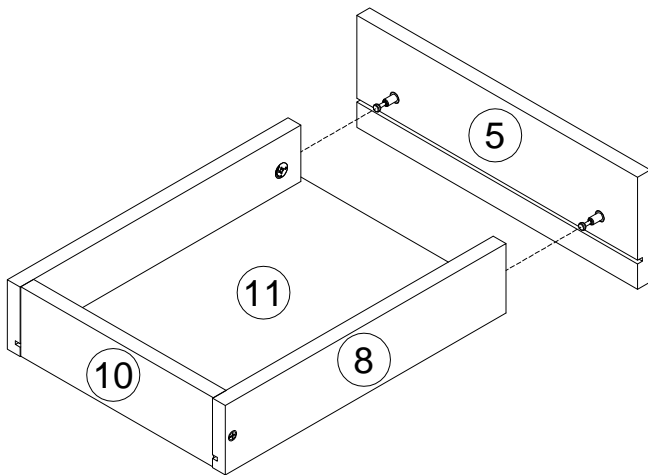


5

5


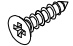


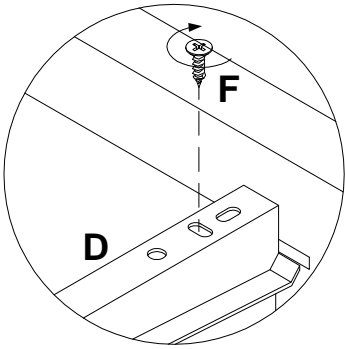
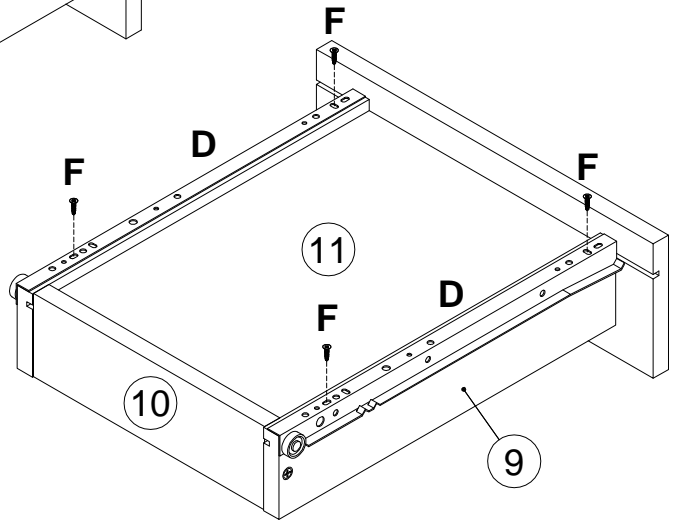
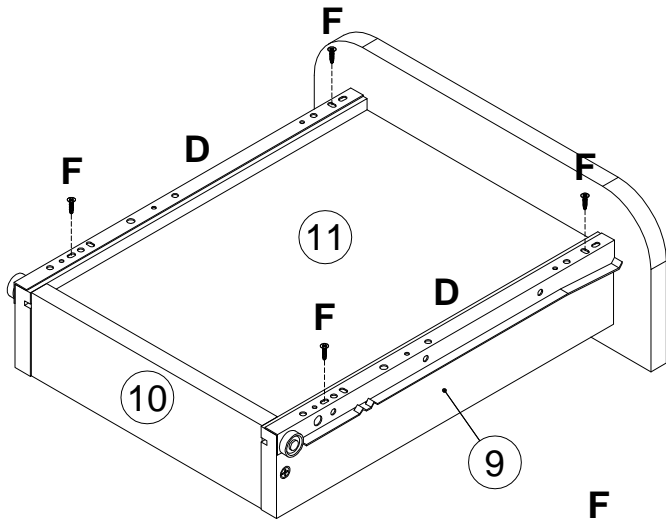
6



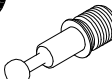
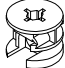
6

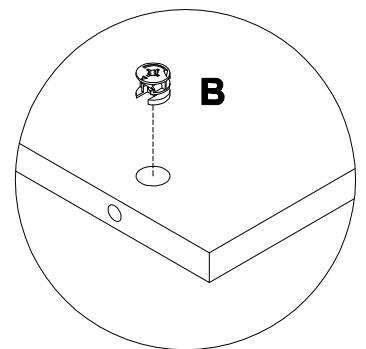
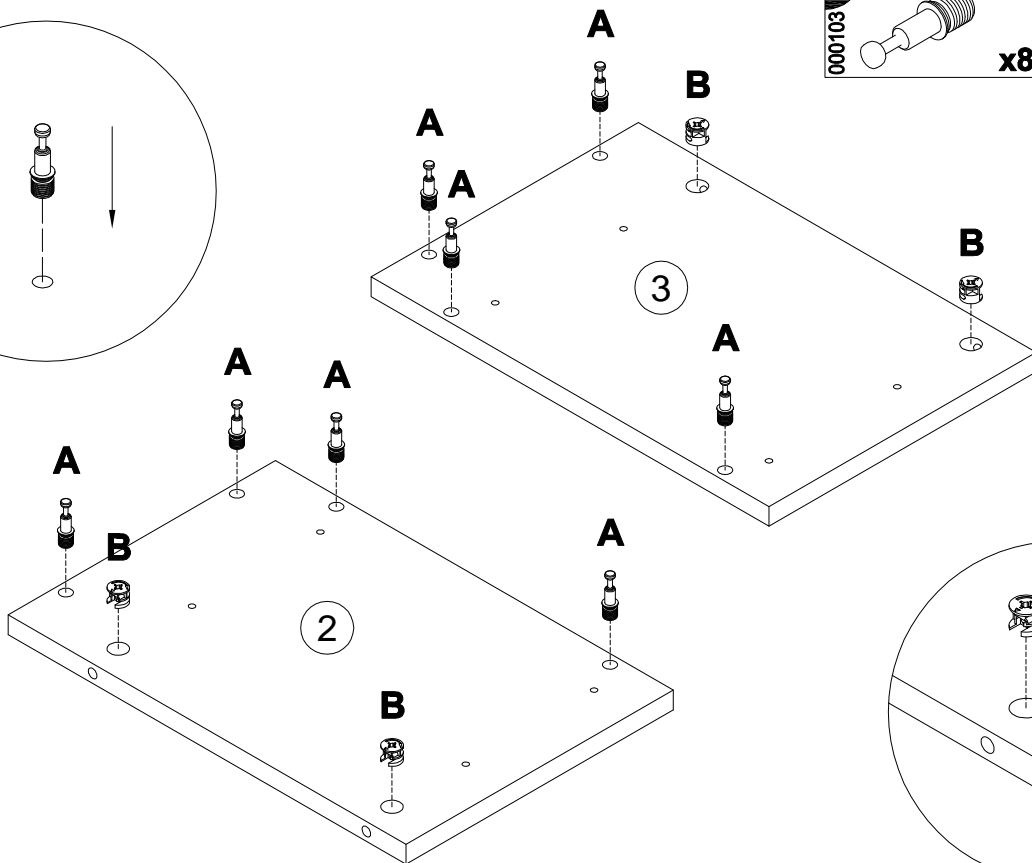
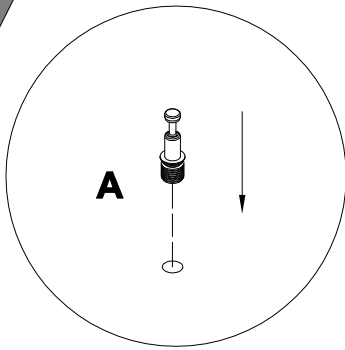
7

D		L350	F		3x13
168849		x2	000767		x8



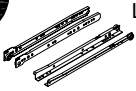

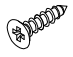
8

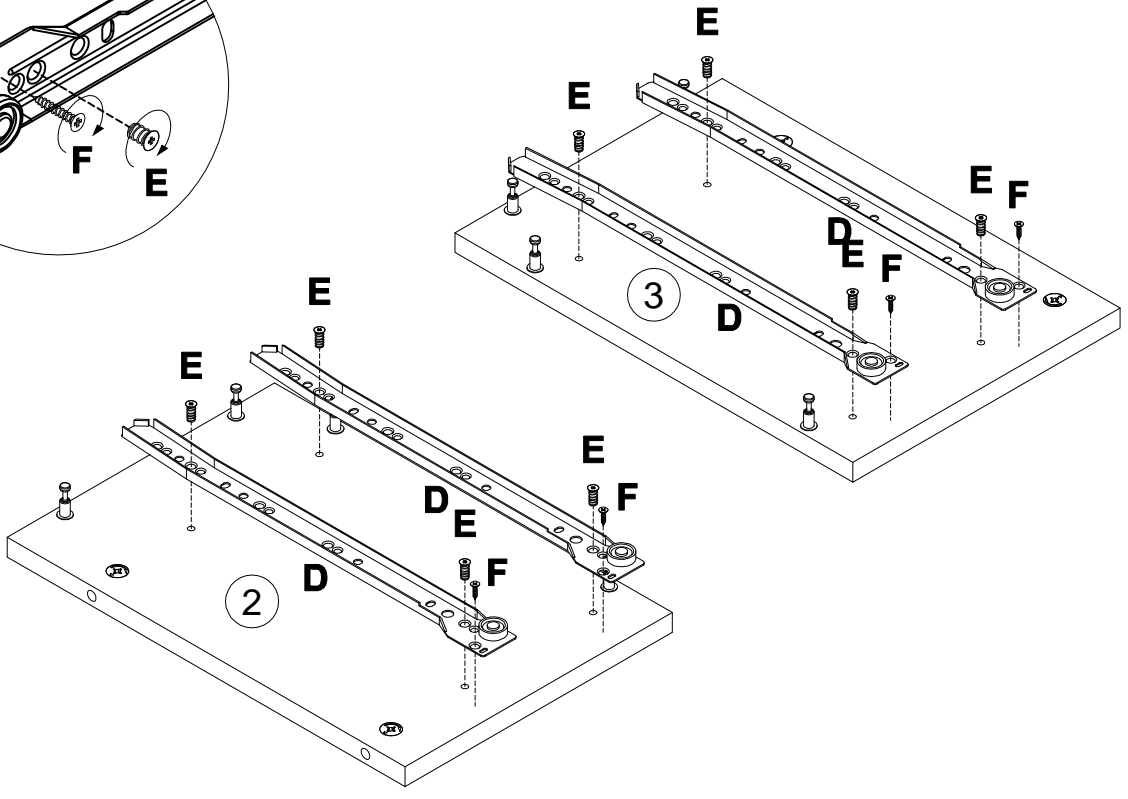
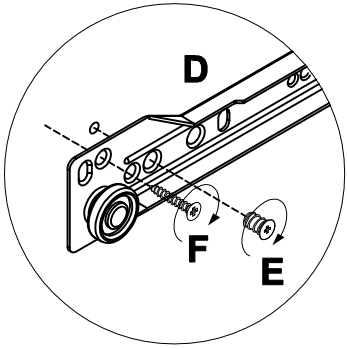
A		10x32	B		15x12
000103		x8	000146		x4



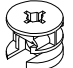
7

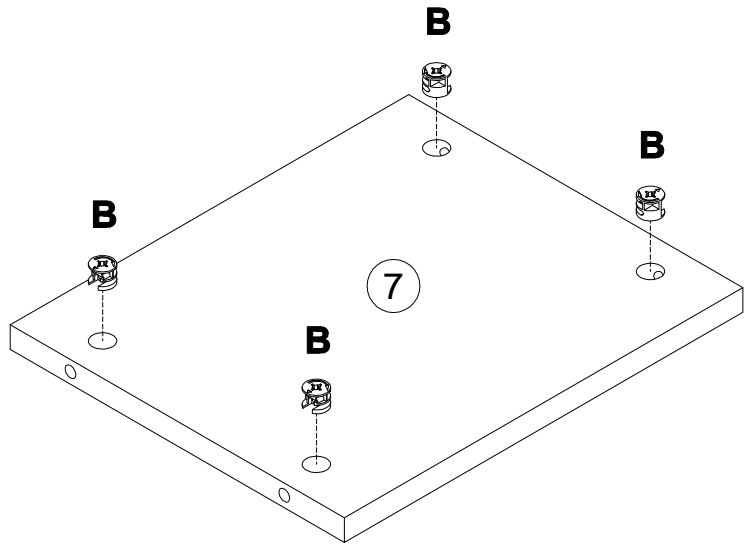
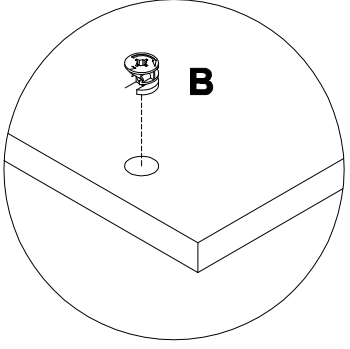
9

D 168849	 L350 x2	E 235593	 6x8 x8	F 000767	 3x13 x4
--------------------	--	--------------------	--	--------------------	---



10

B 000146	 15x12 x4
--------------------	--



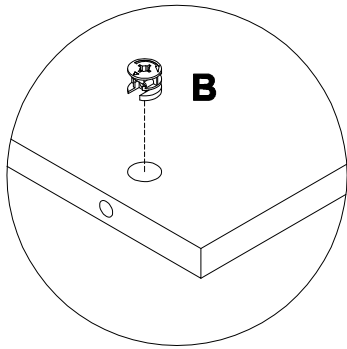
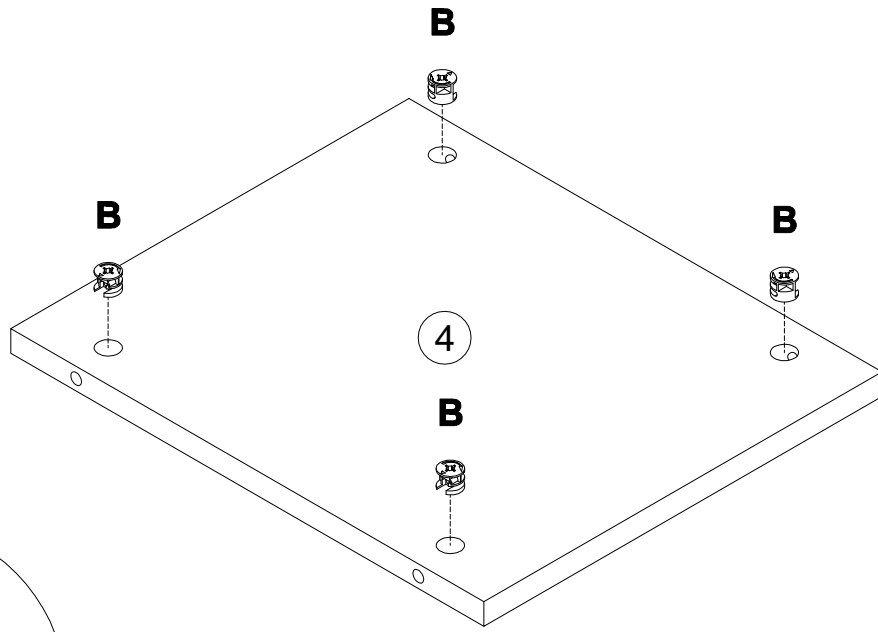
11

000146 B

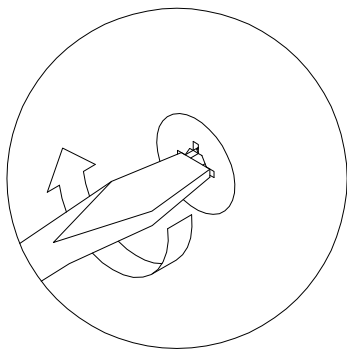
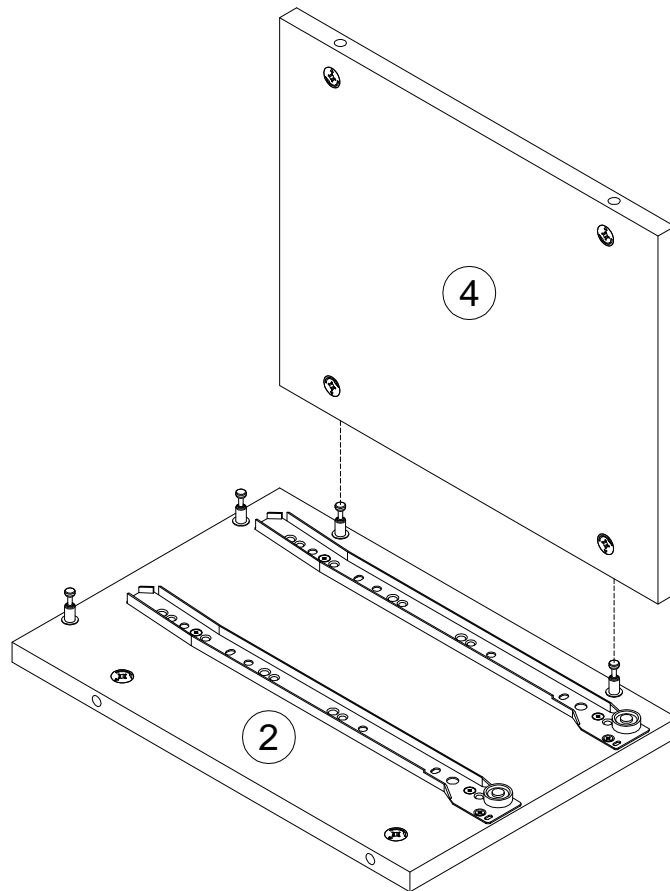
15x12



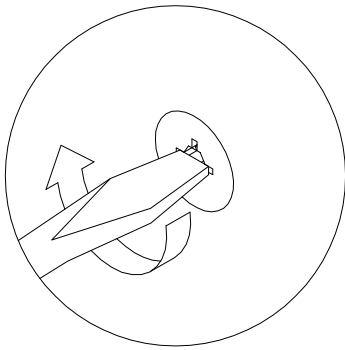
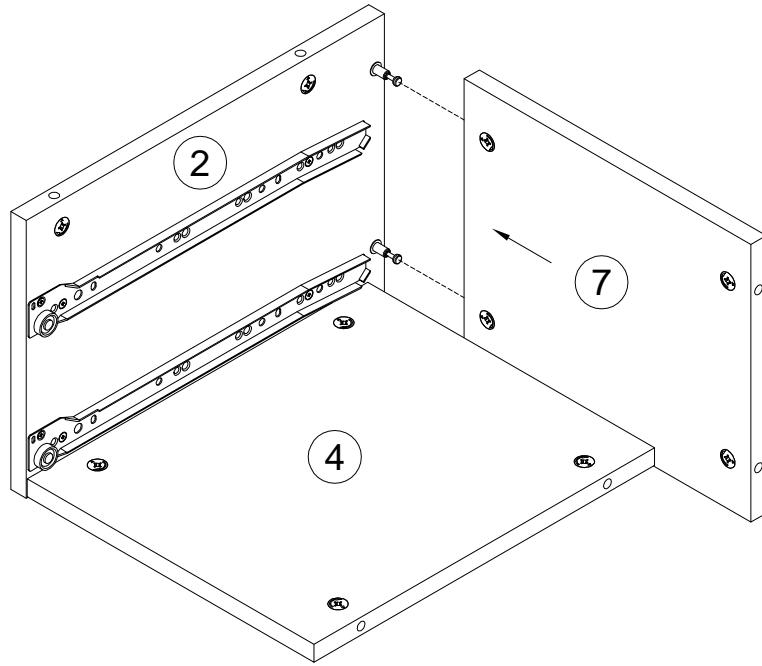
x4



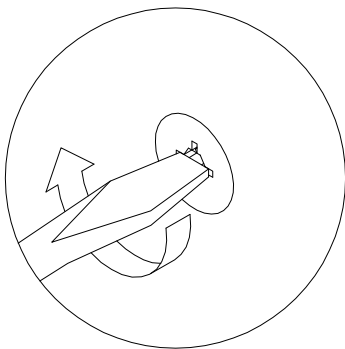
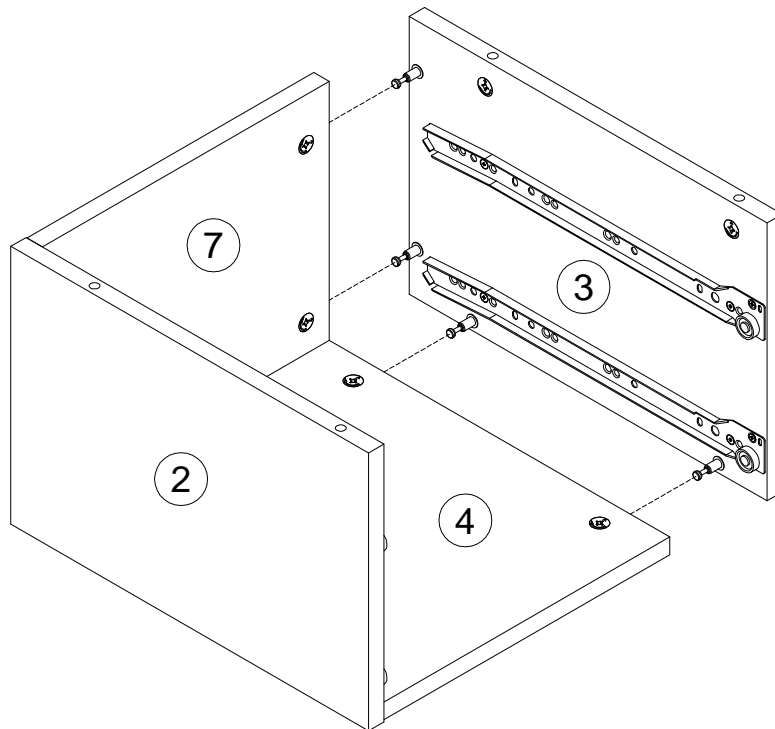
12



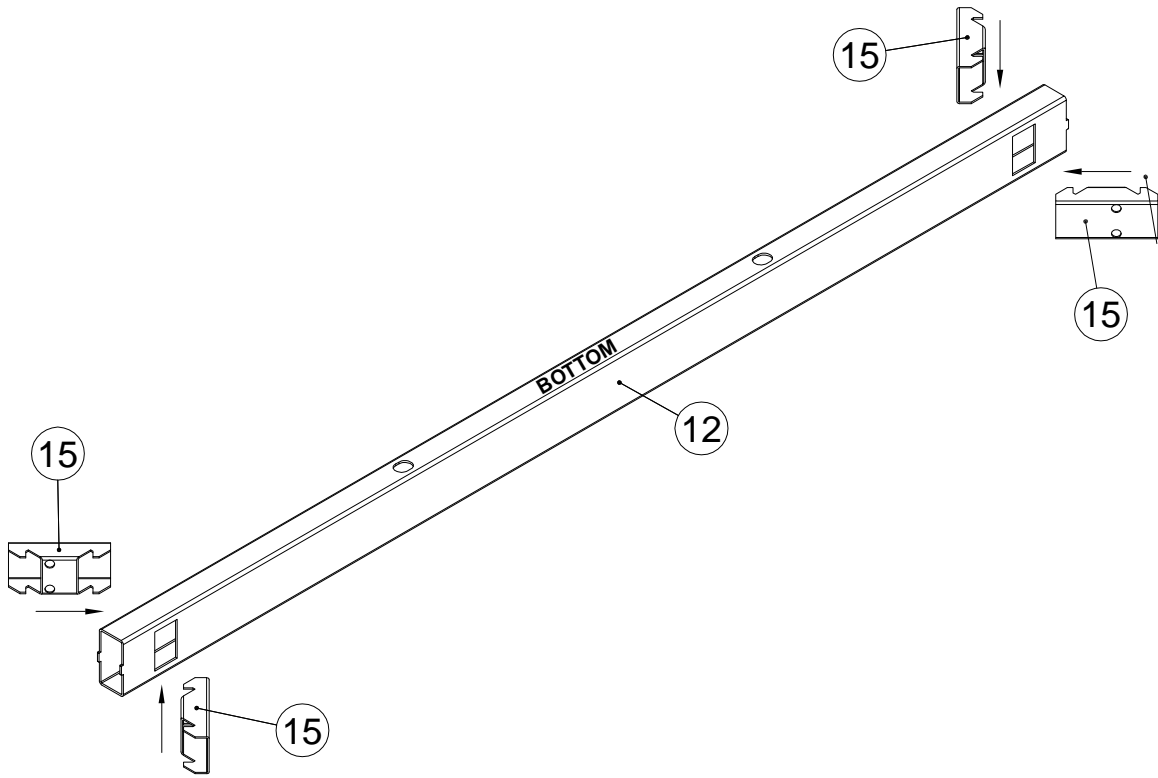
13



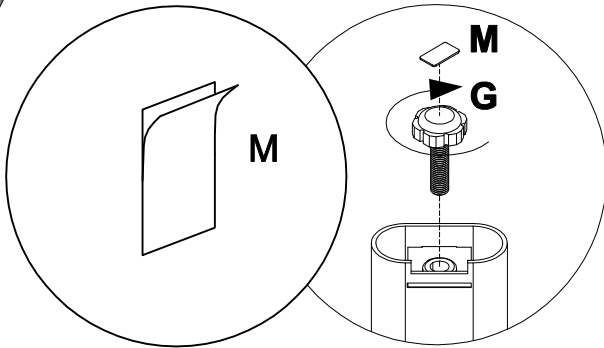
14

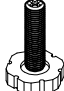



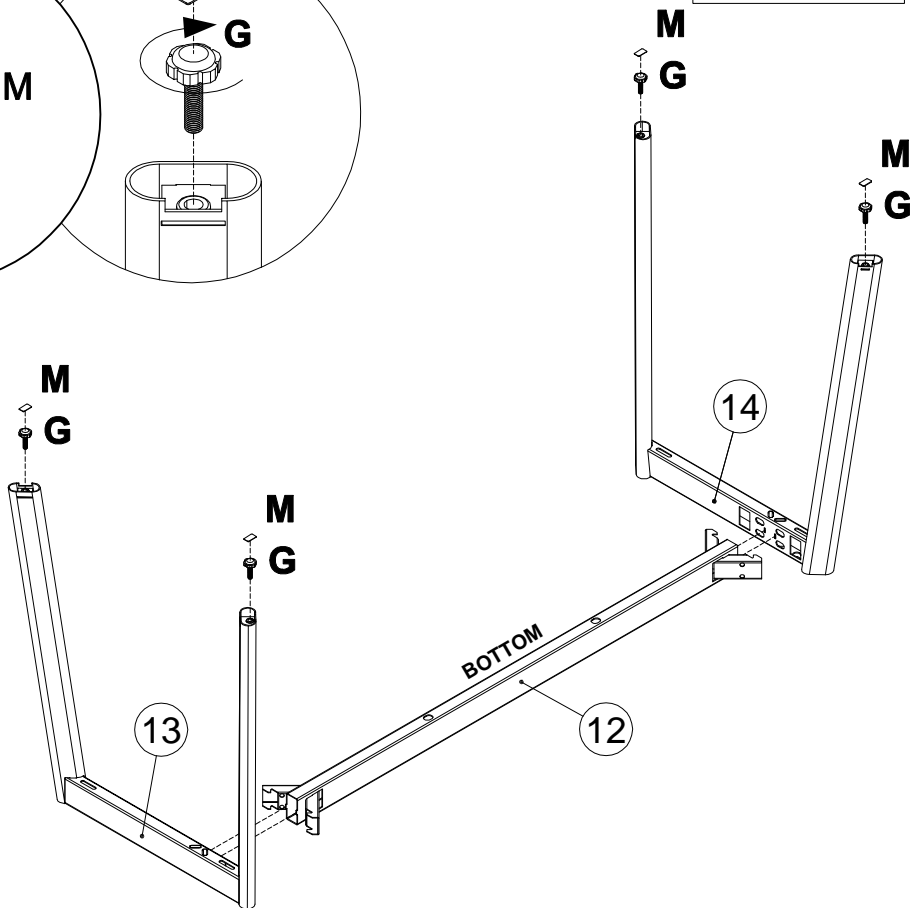
15

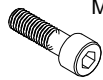


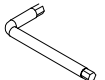


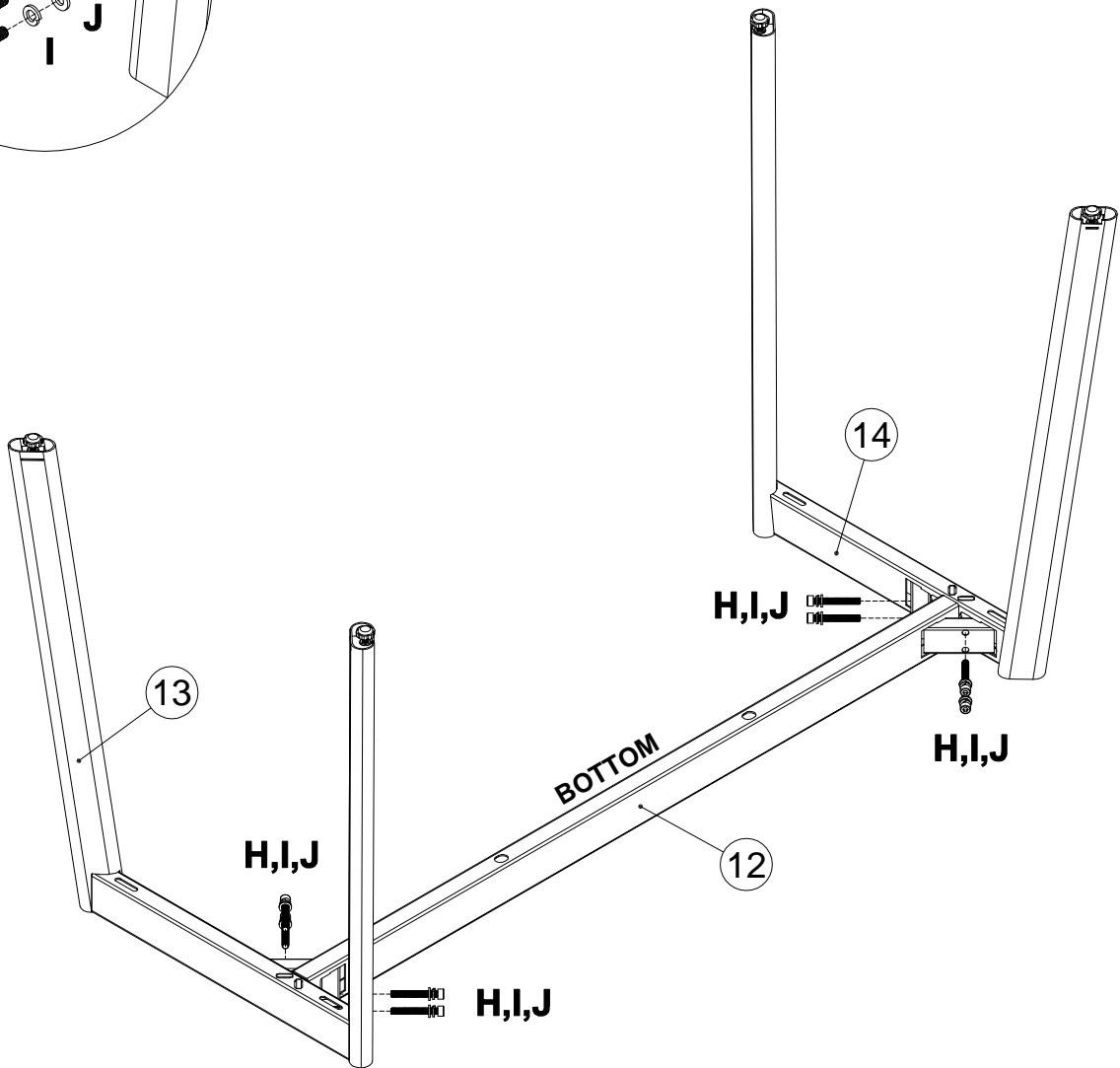
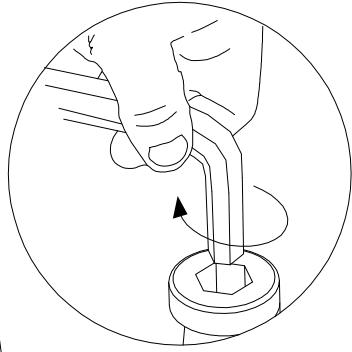
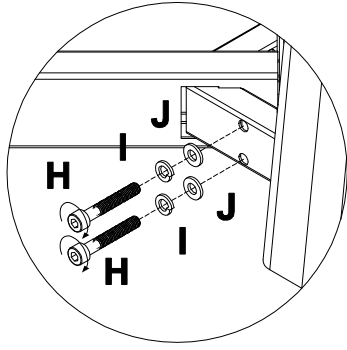
16

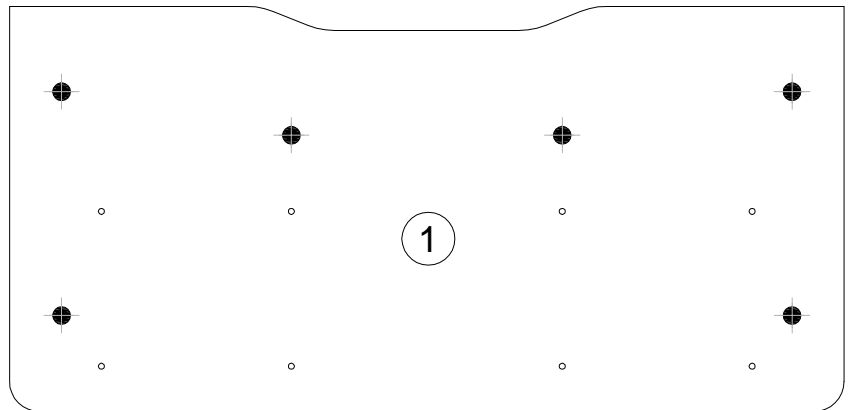
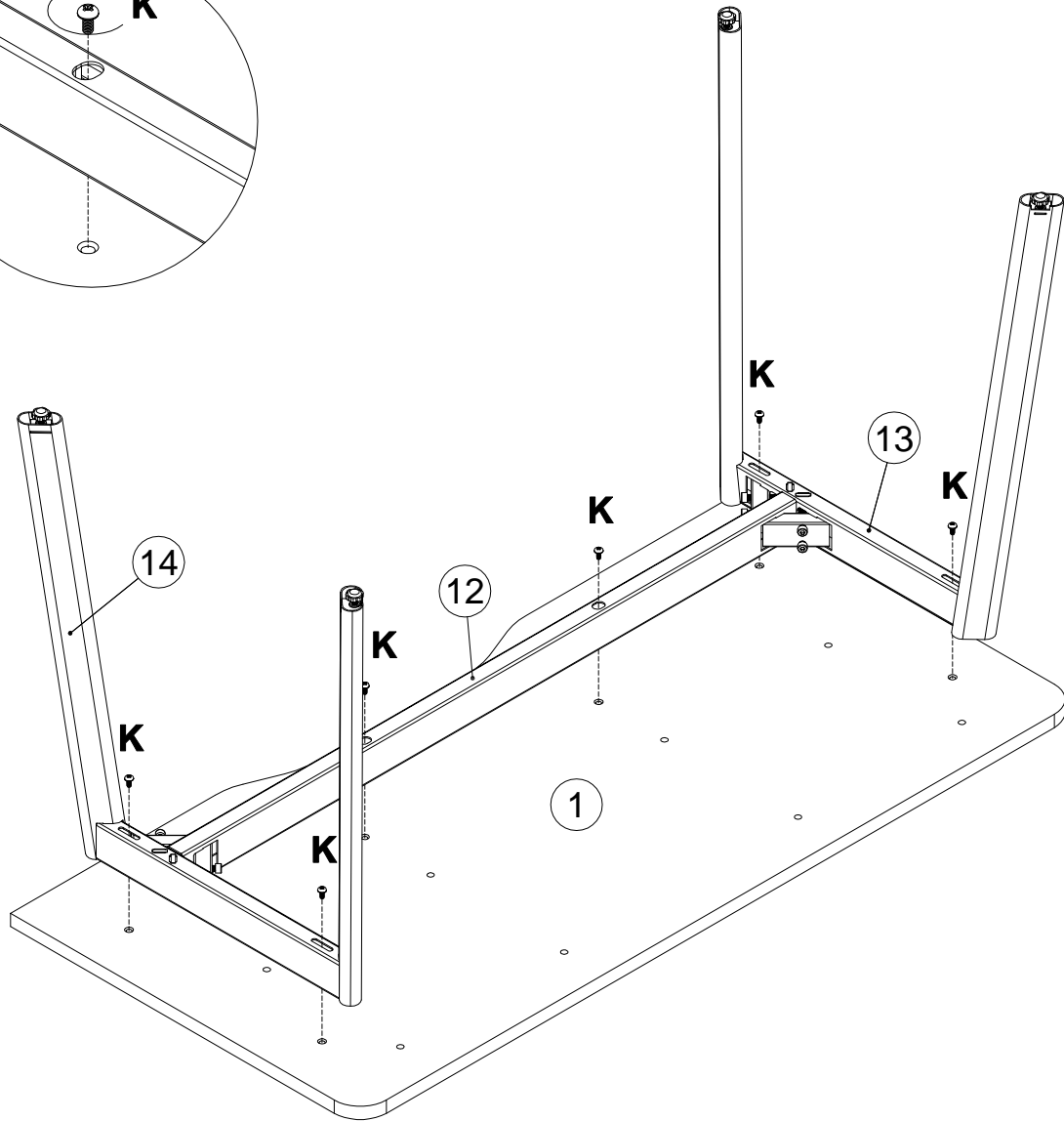
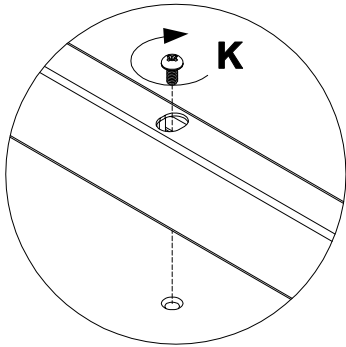


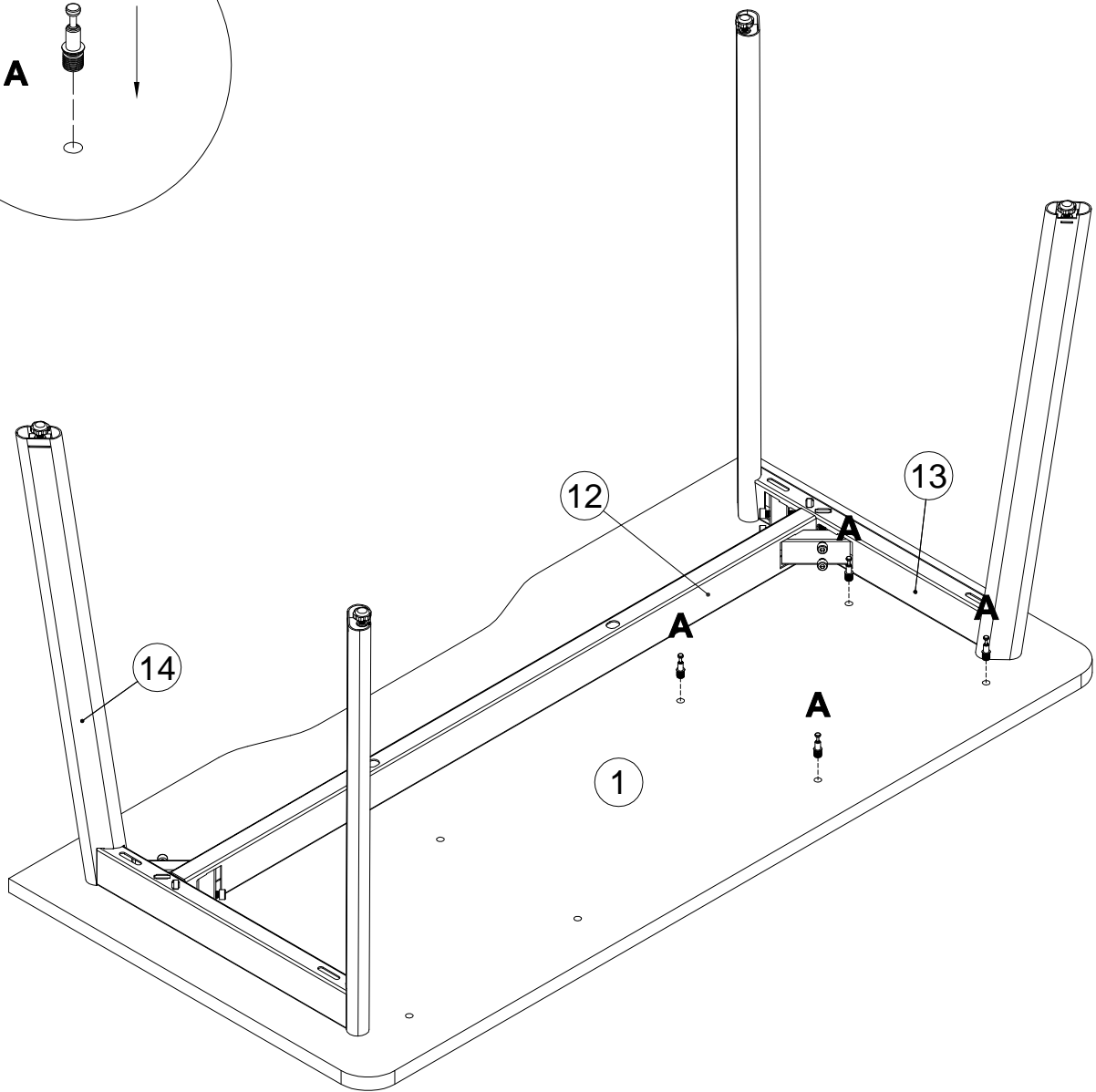
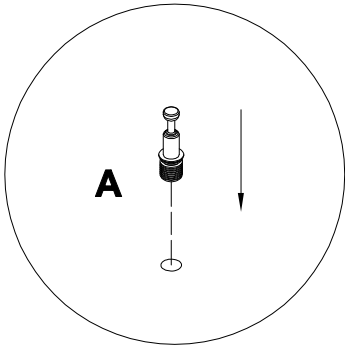
G 108080		M8 x4	M 230041		22x16 x4
--------------------	---	------------------------	--------------------	---	---------------------------



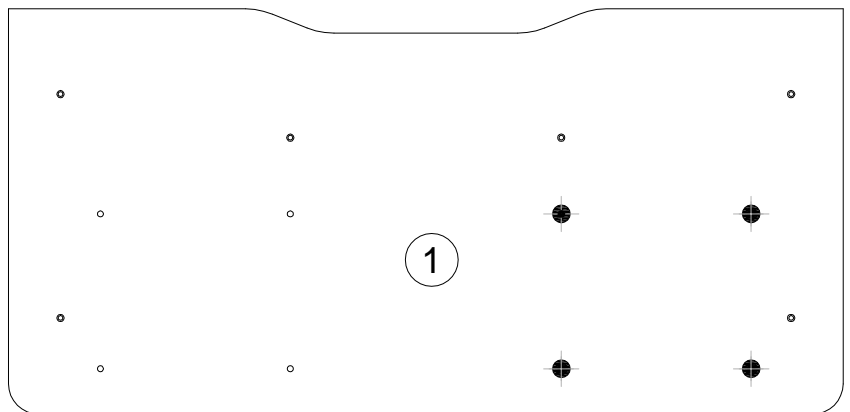
H	M8x60	I	d8	J	d8	L	
	x8		x8		x8		x1
		162608	162606	162606	001410		

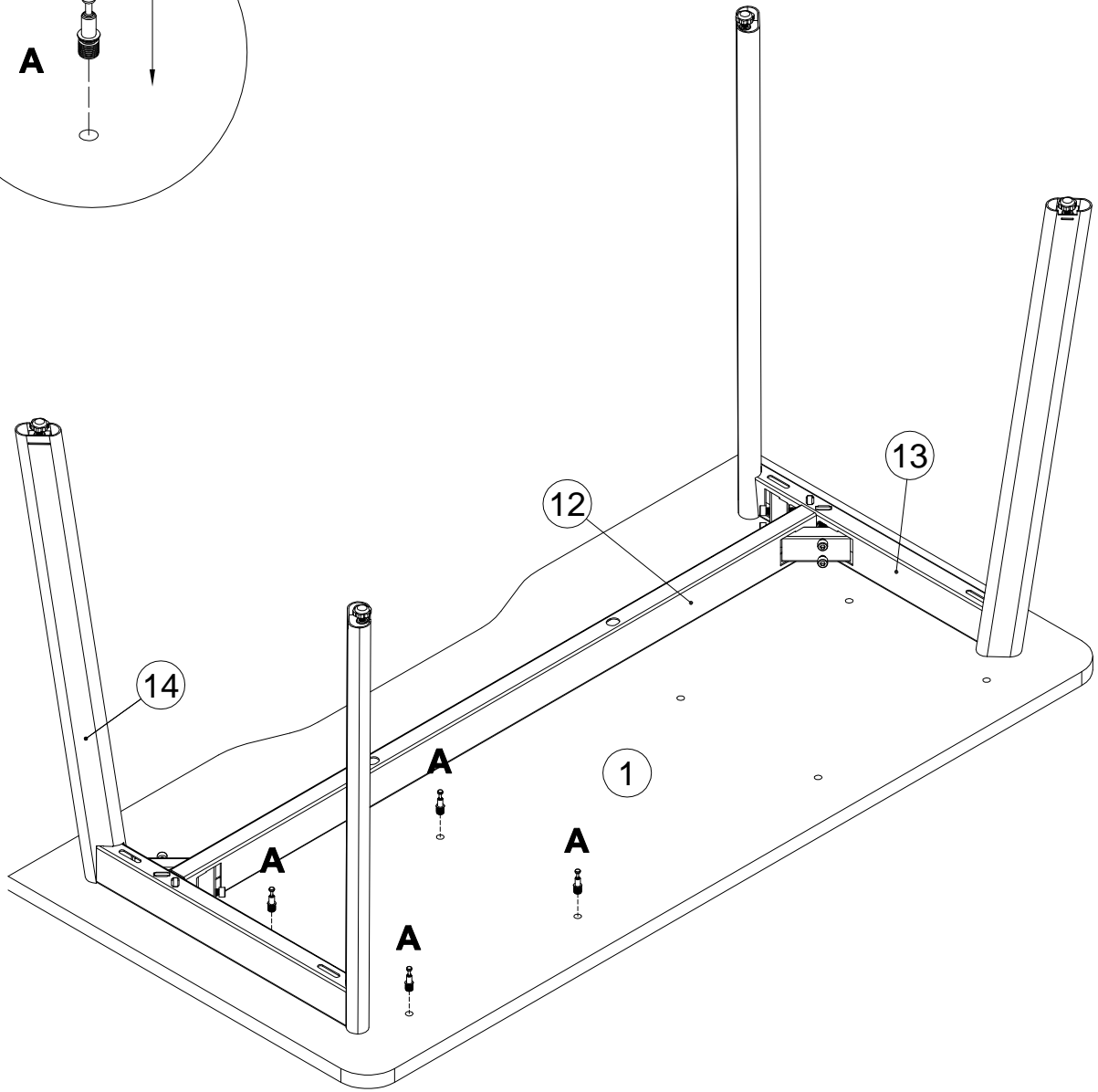
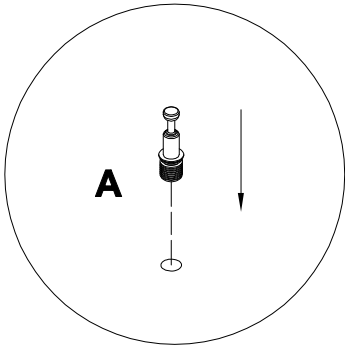




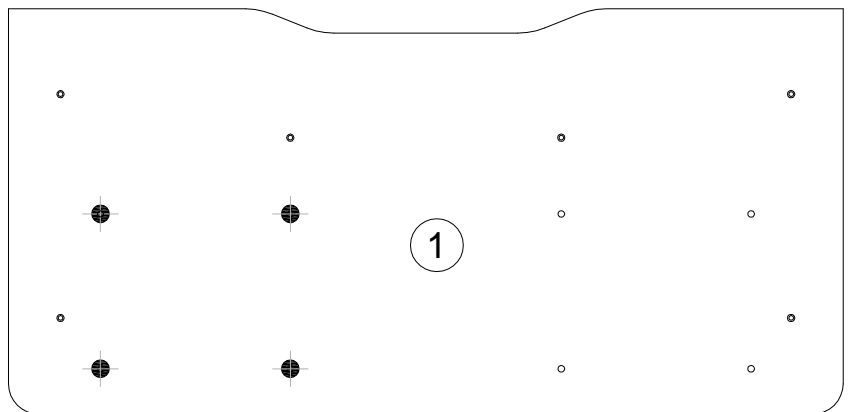


Option A

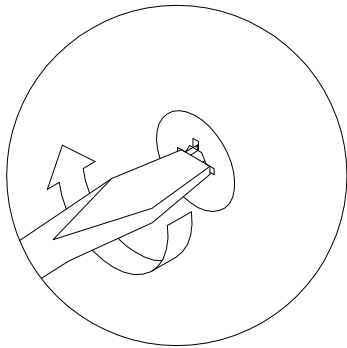
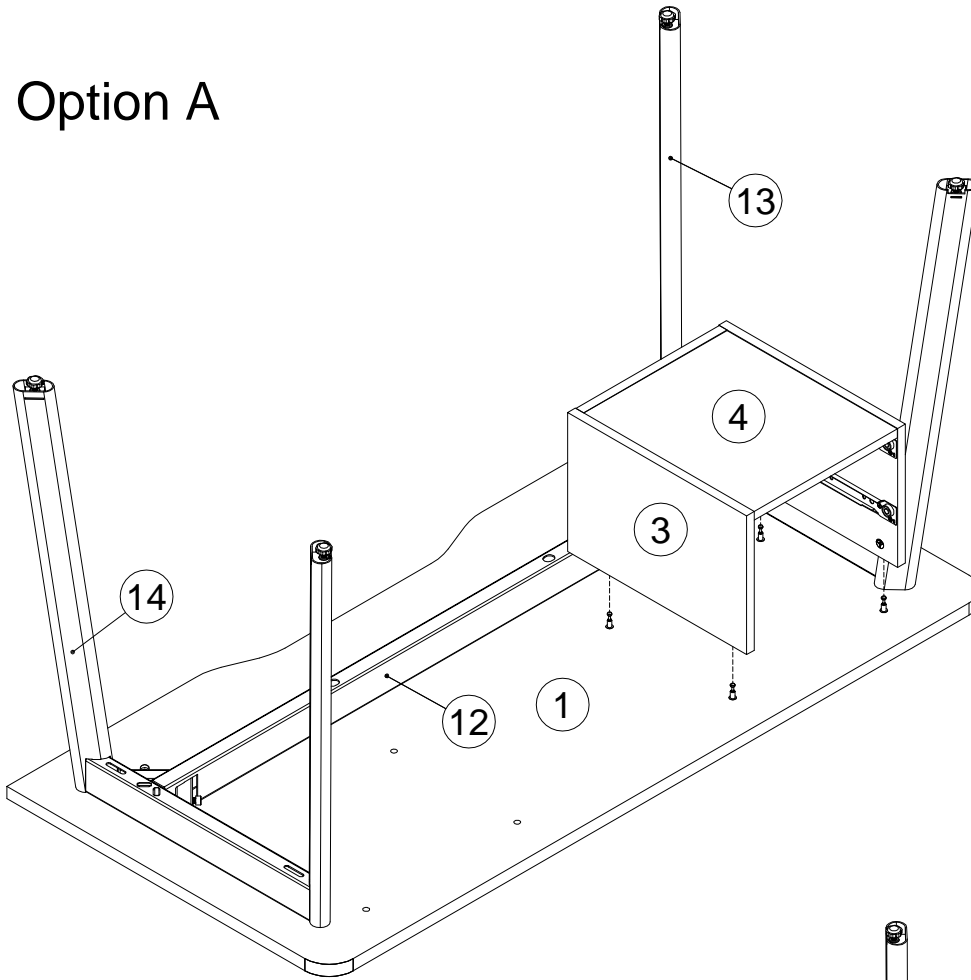




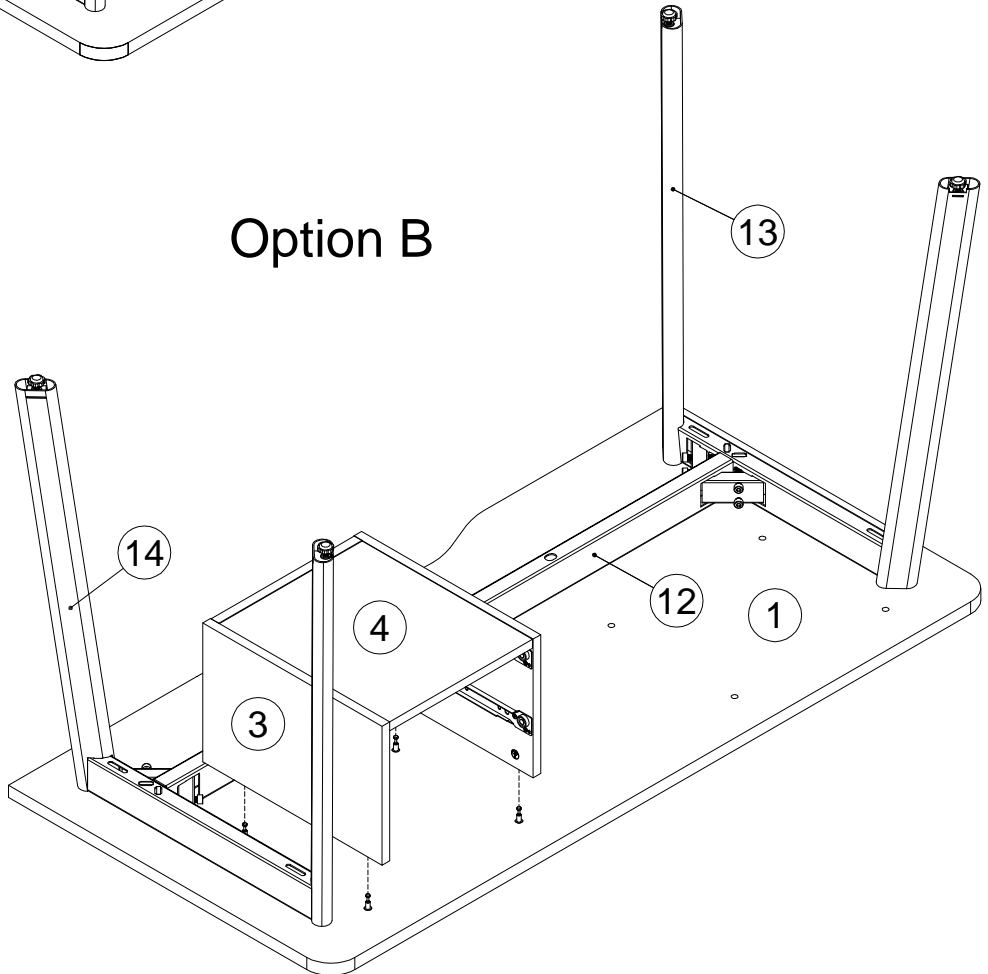
Option B



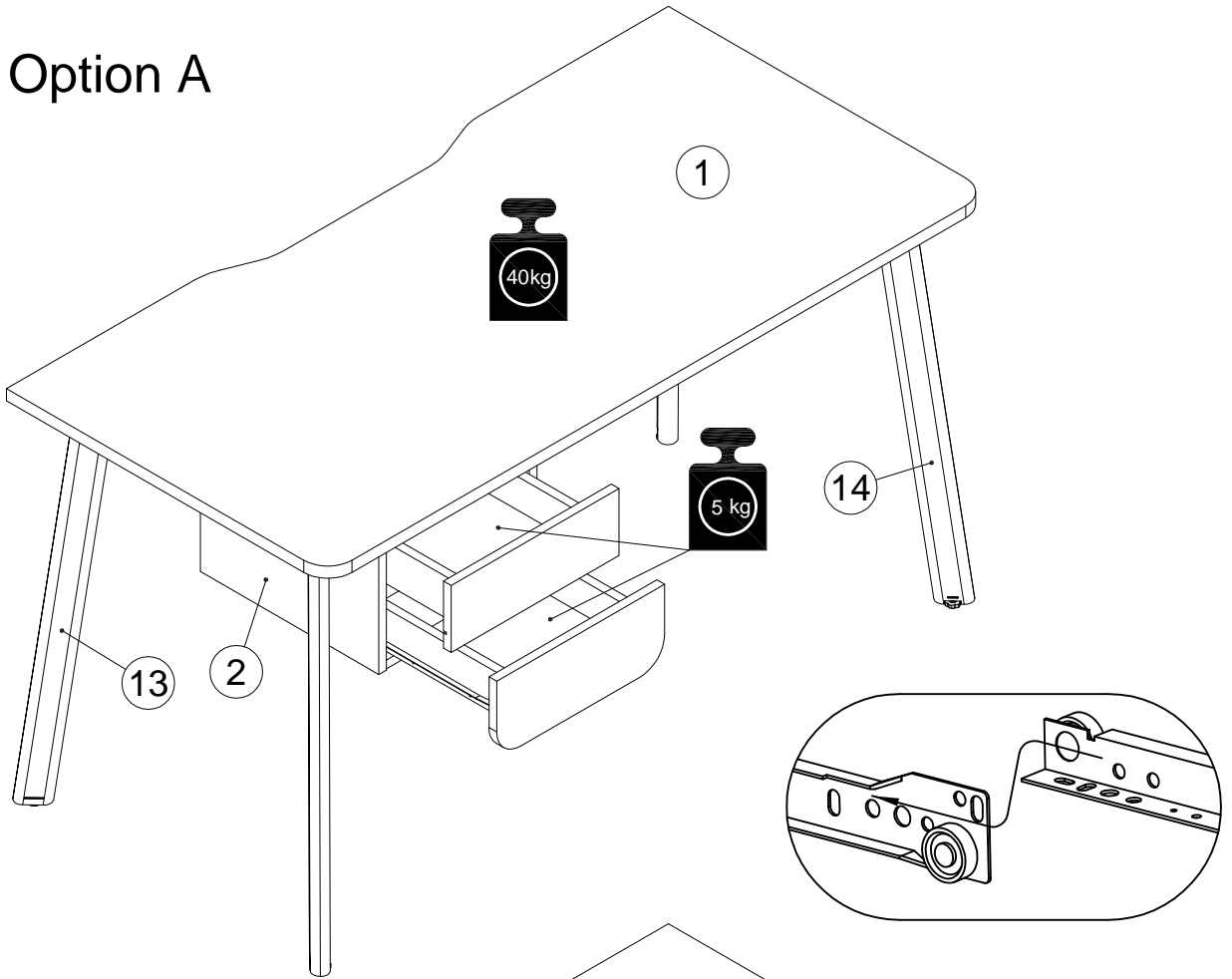
Option A



Option B



Option A



Option B

