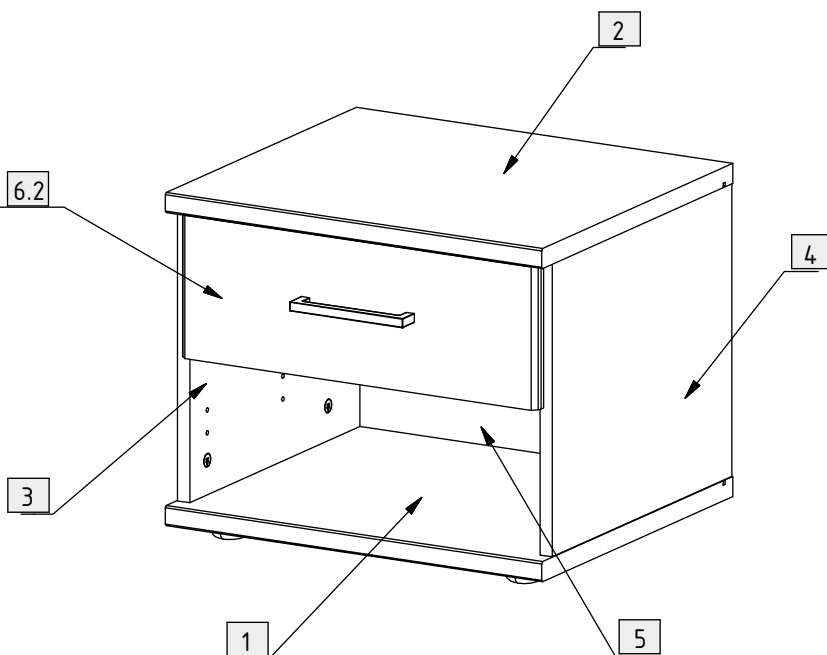
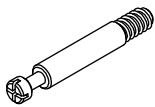



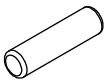

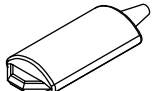
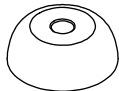
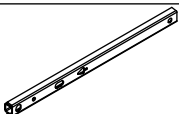
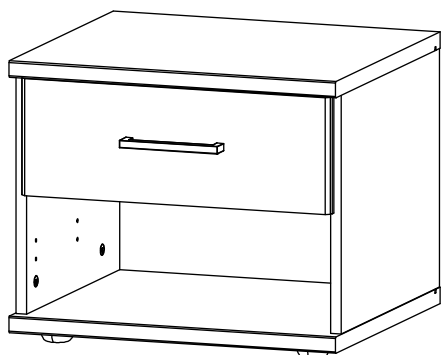


6 + 6.1 + 6.2

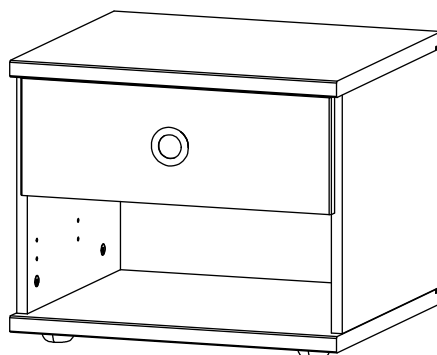


111	8		305	4	 6 x 9 mm
120	8		352	4	 4 x 20 mm
190	4	 $\varnothing 8 \times 30 \text{ mm}$	408	2	 M4 x 9 mm
204	1		737	4	
215	2				

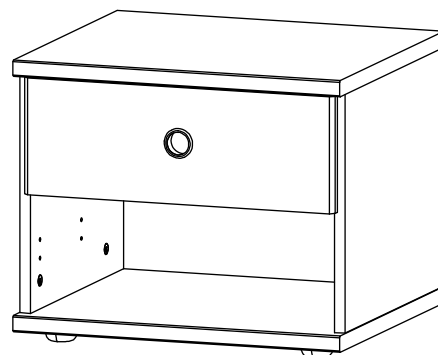
Variante A

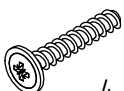
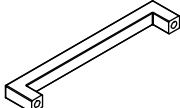


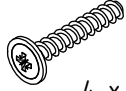

Variante B




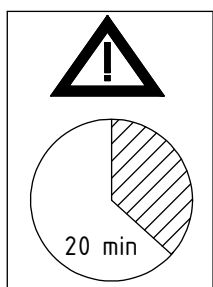
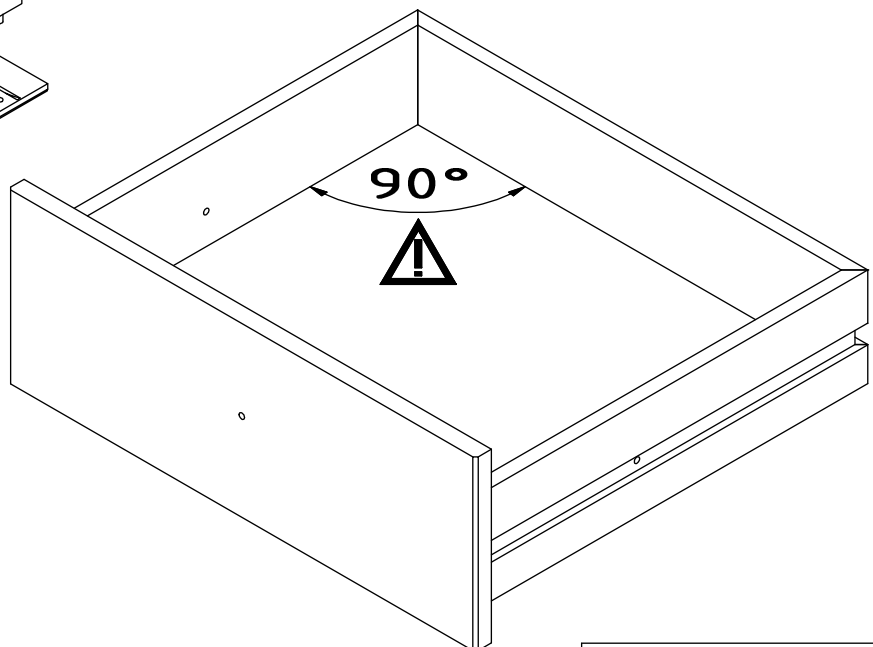
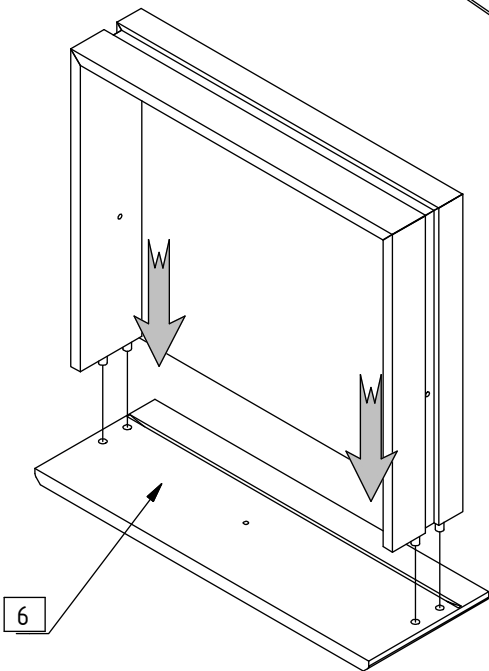
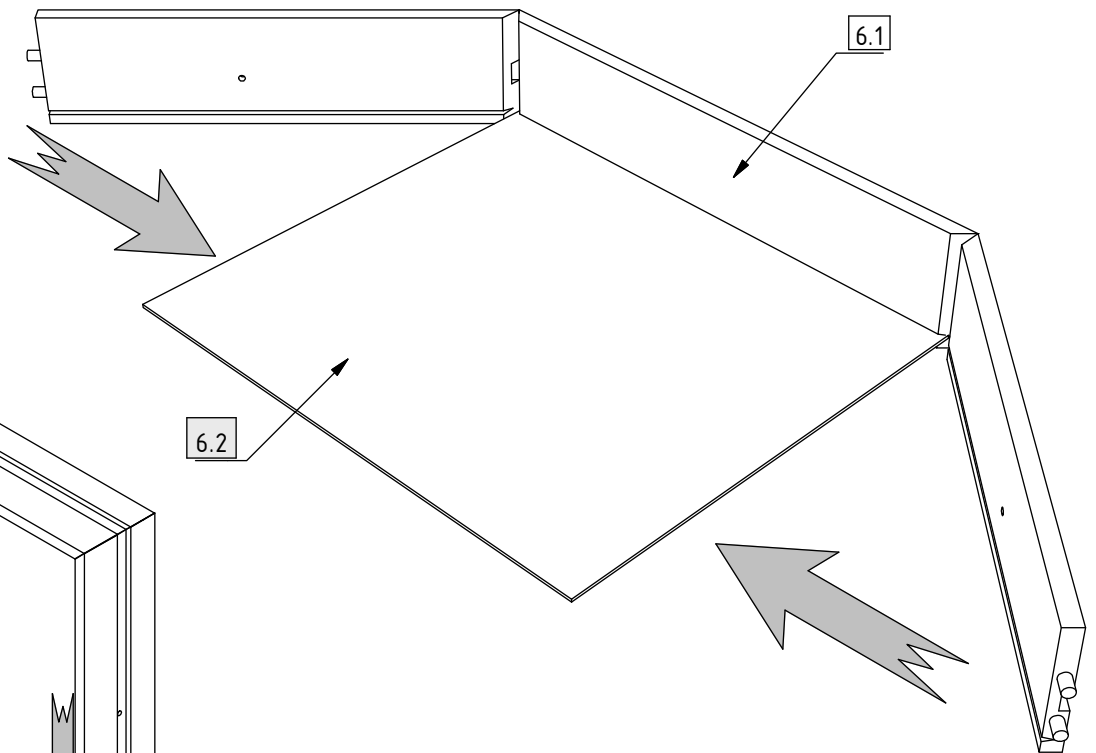
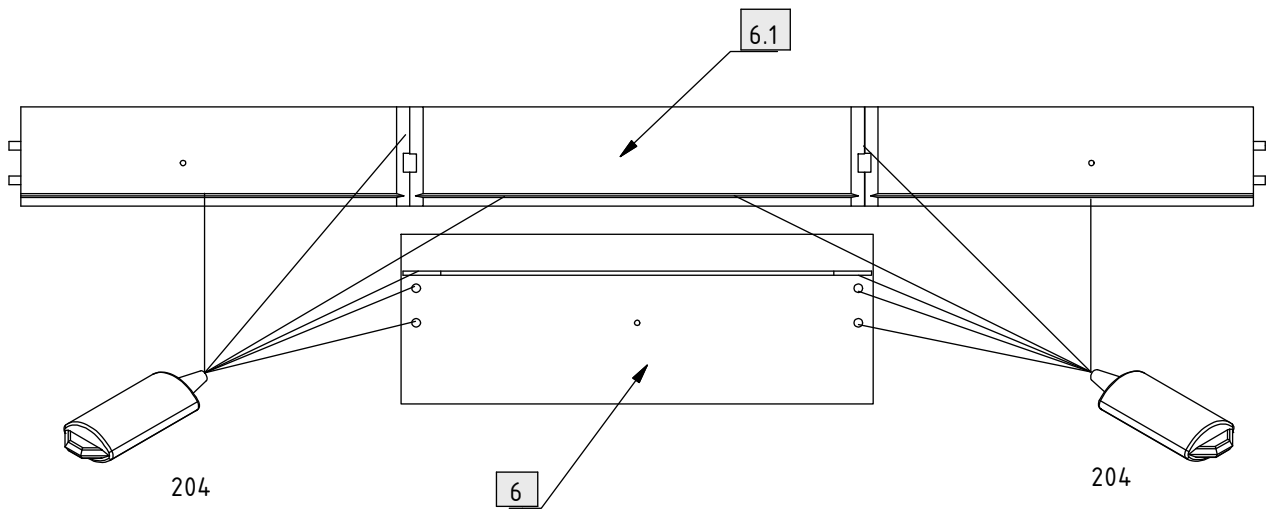
Variante C



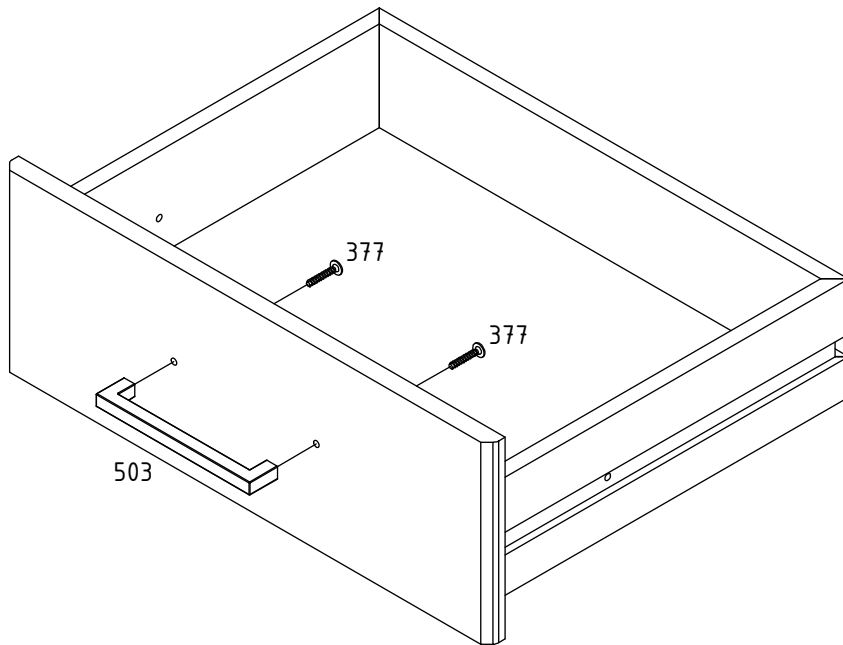
377	2	 4 x 25 mm
503	1	

377	1	 4 x 25 mm
509	1	

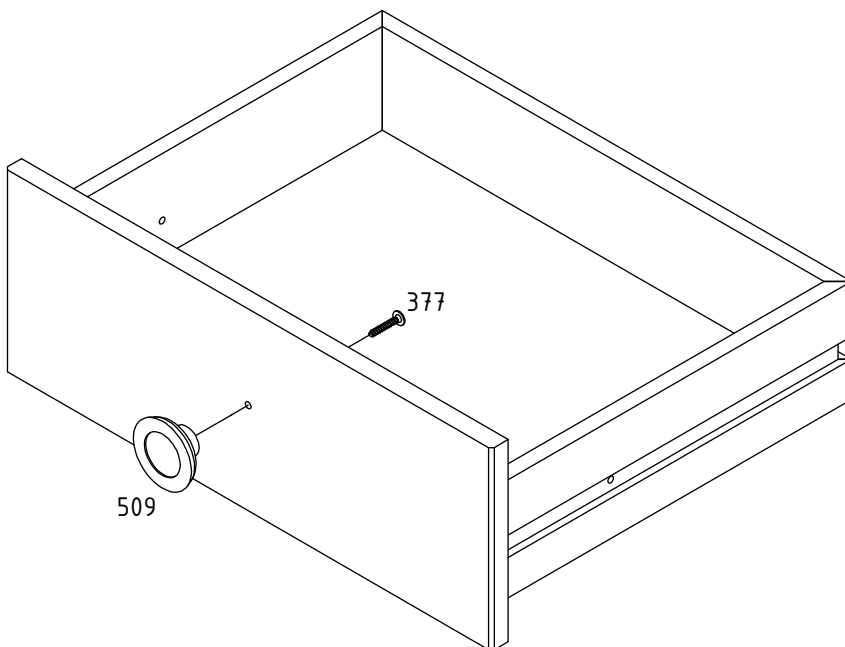
511	1	
-----	---	---



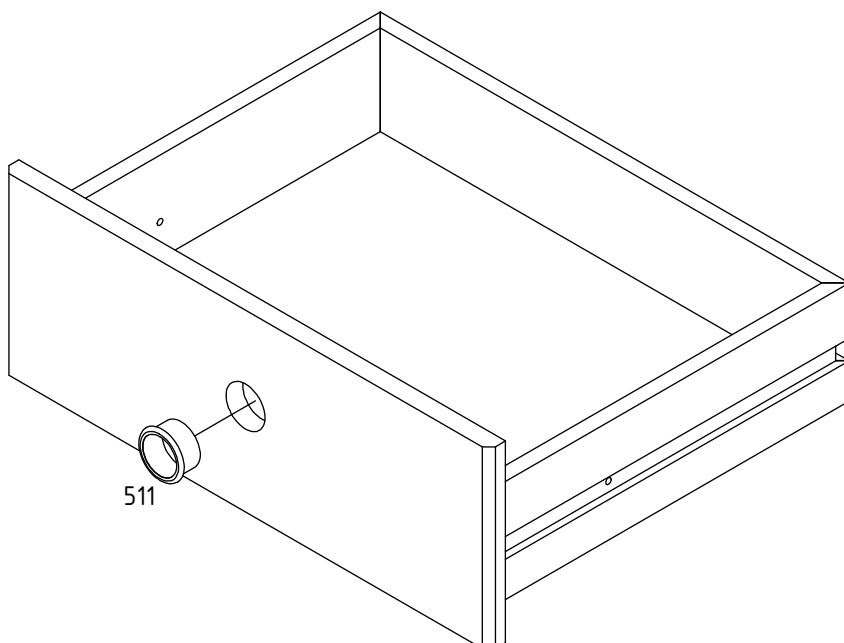
Variante A

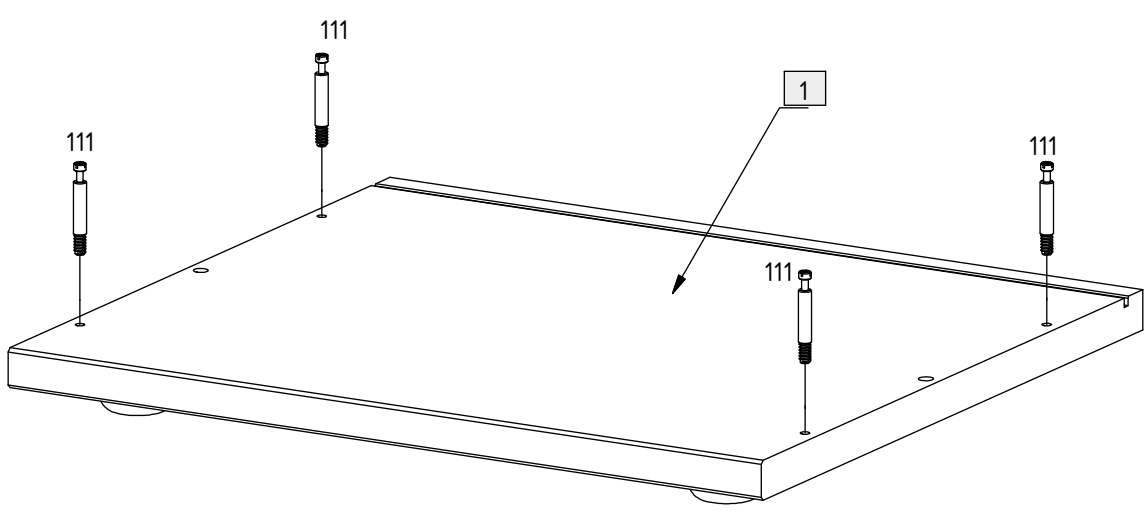
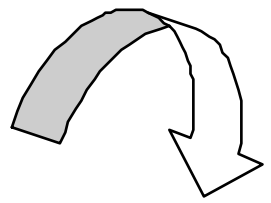
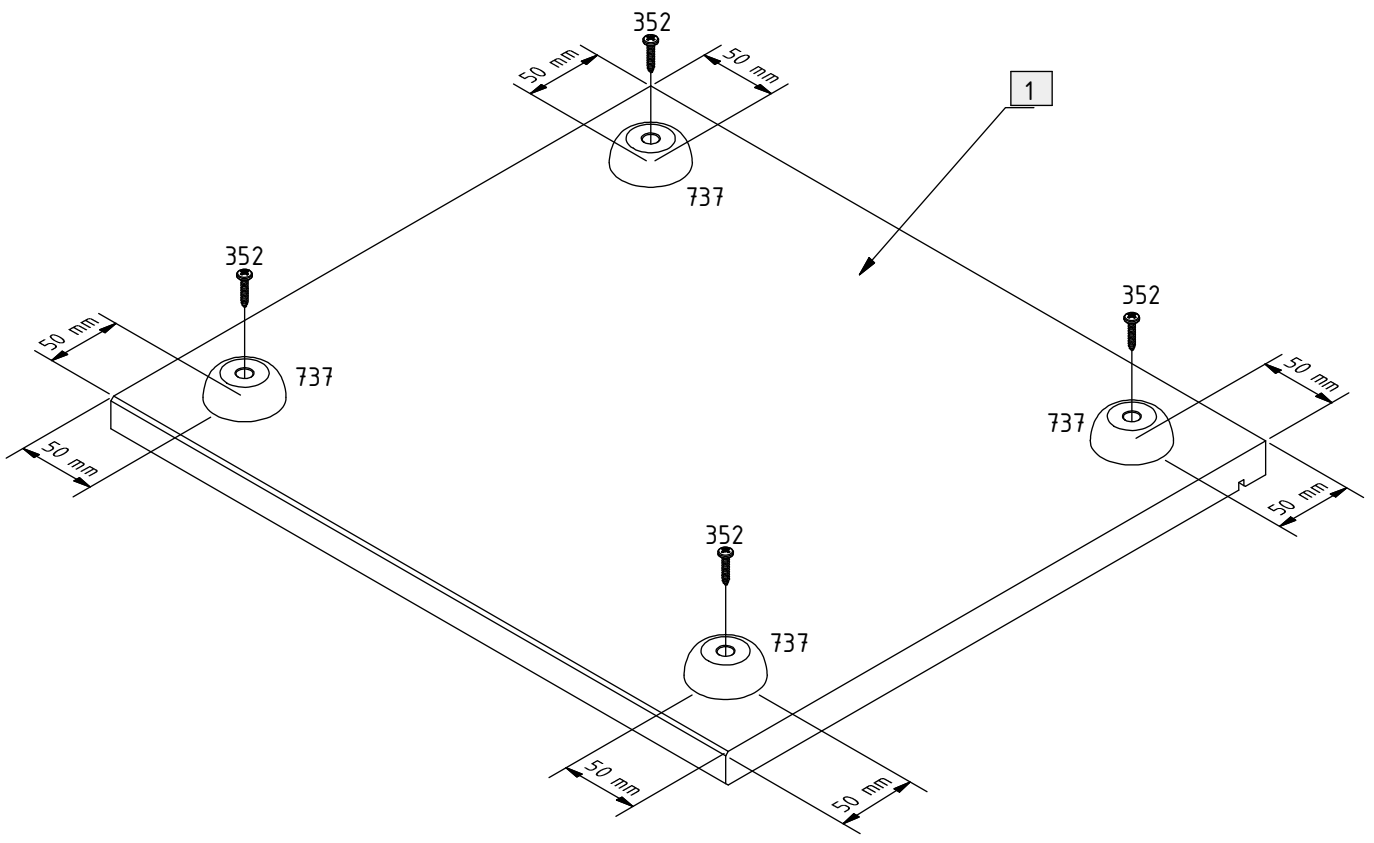


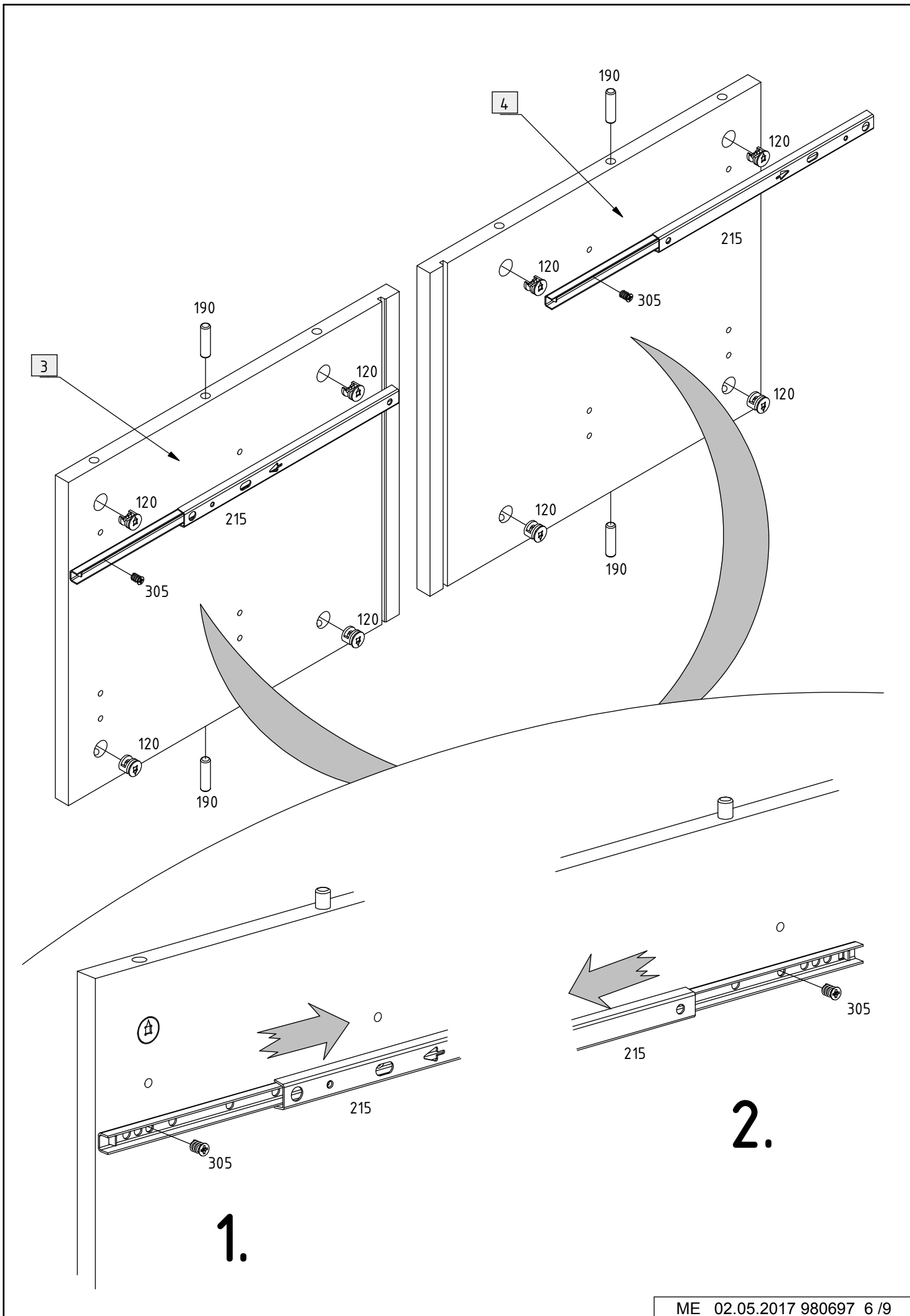
Variante B

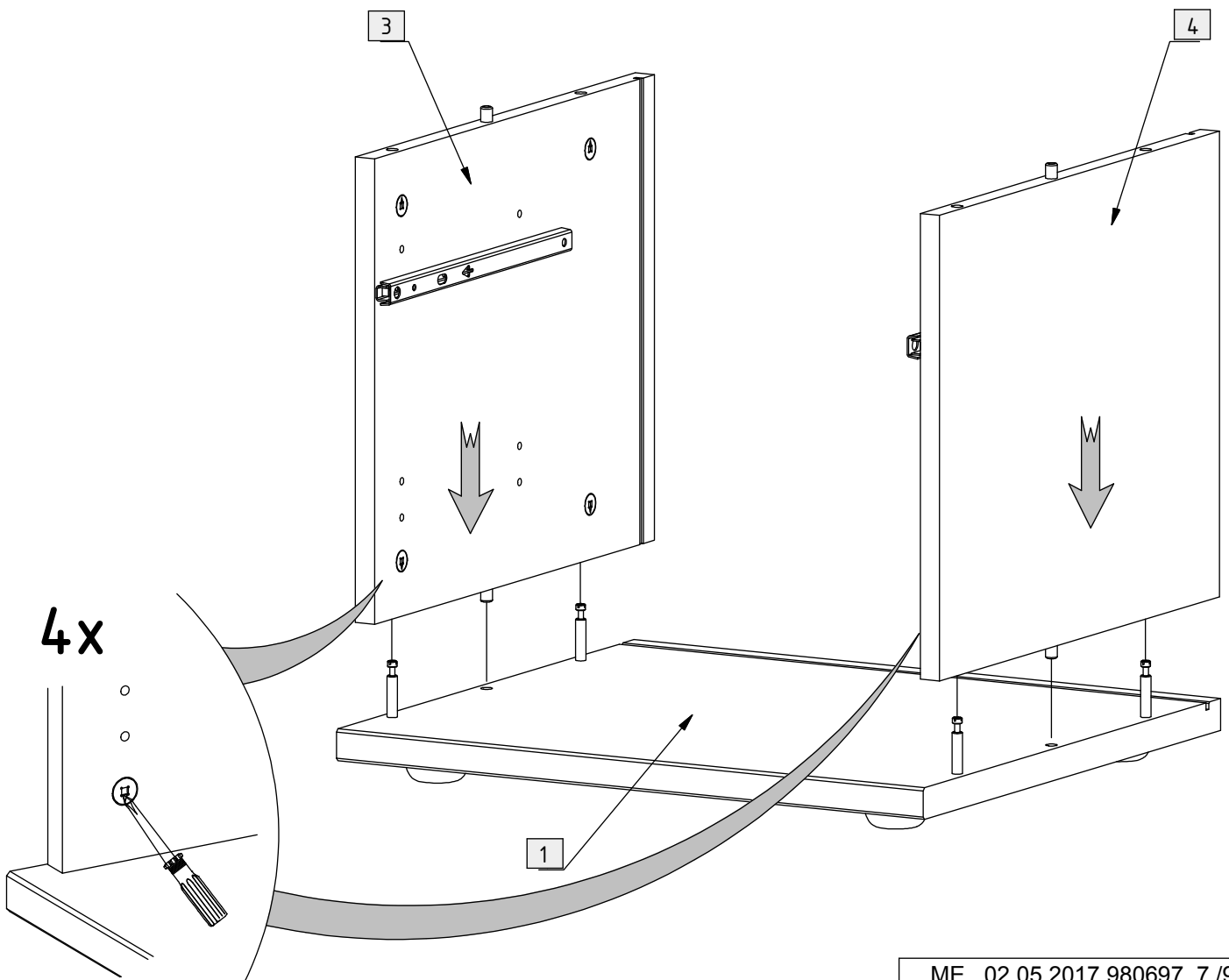
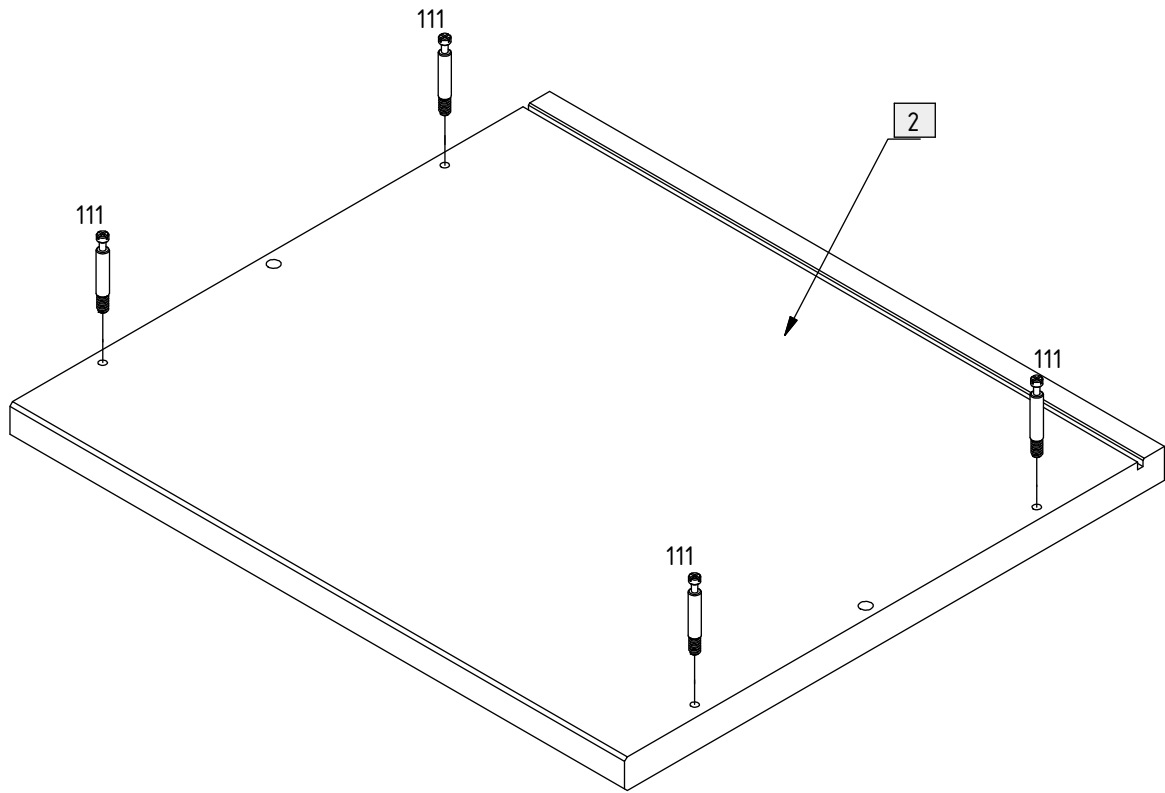


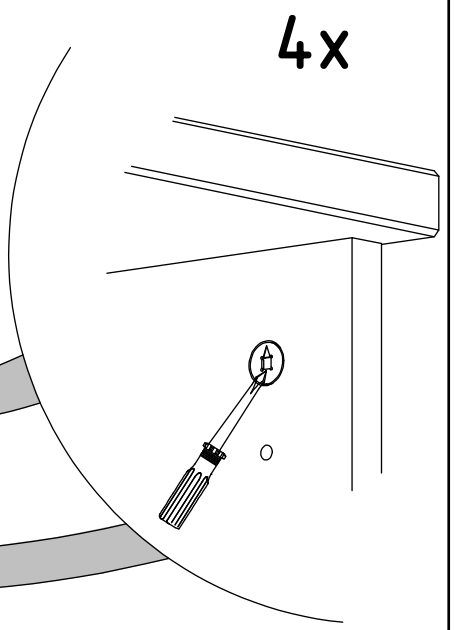
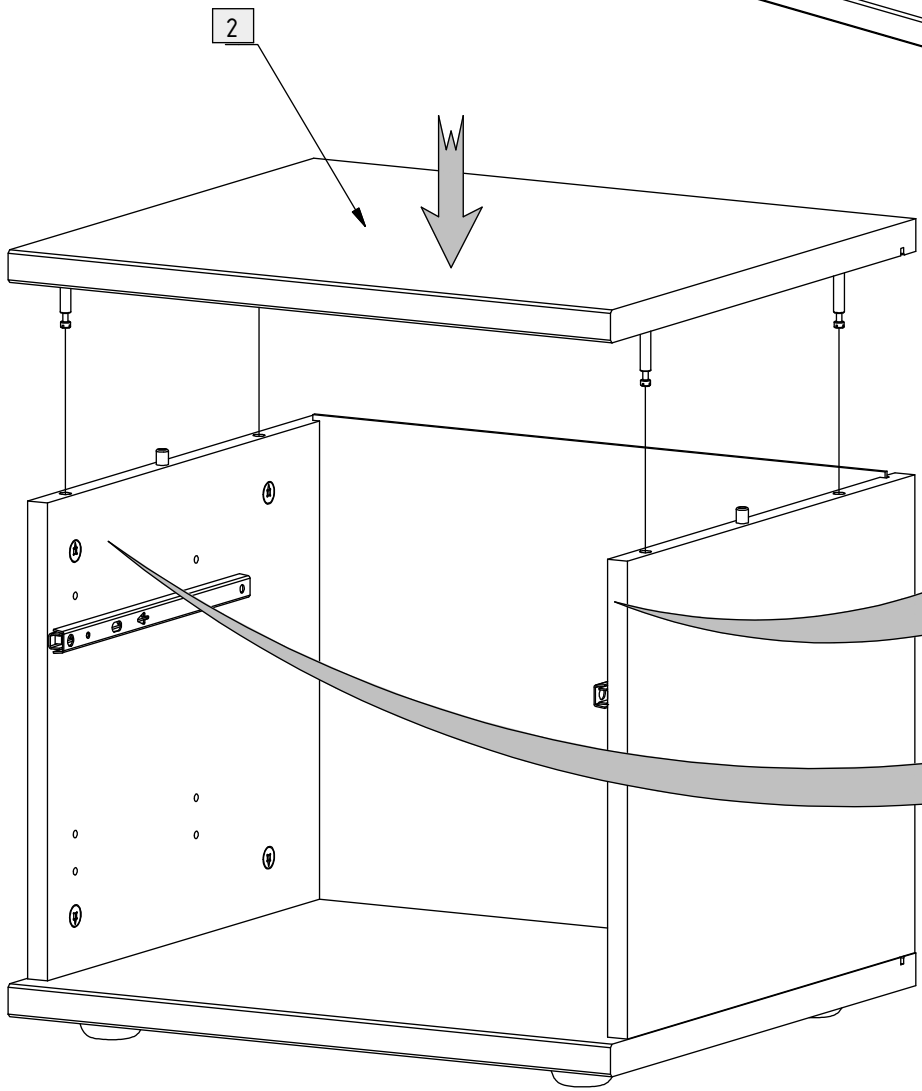
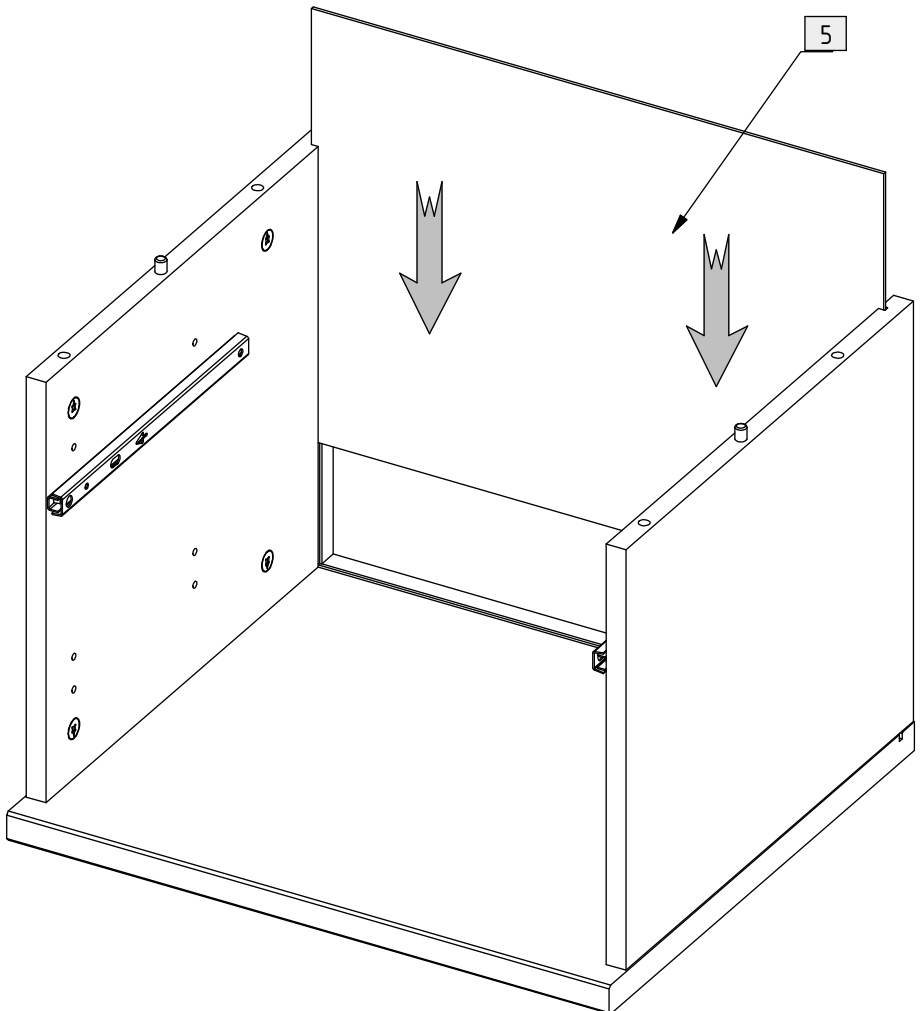
Variante C



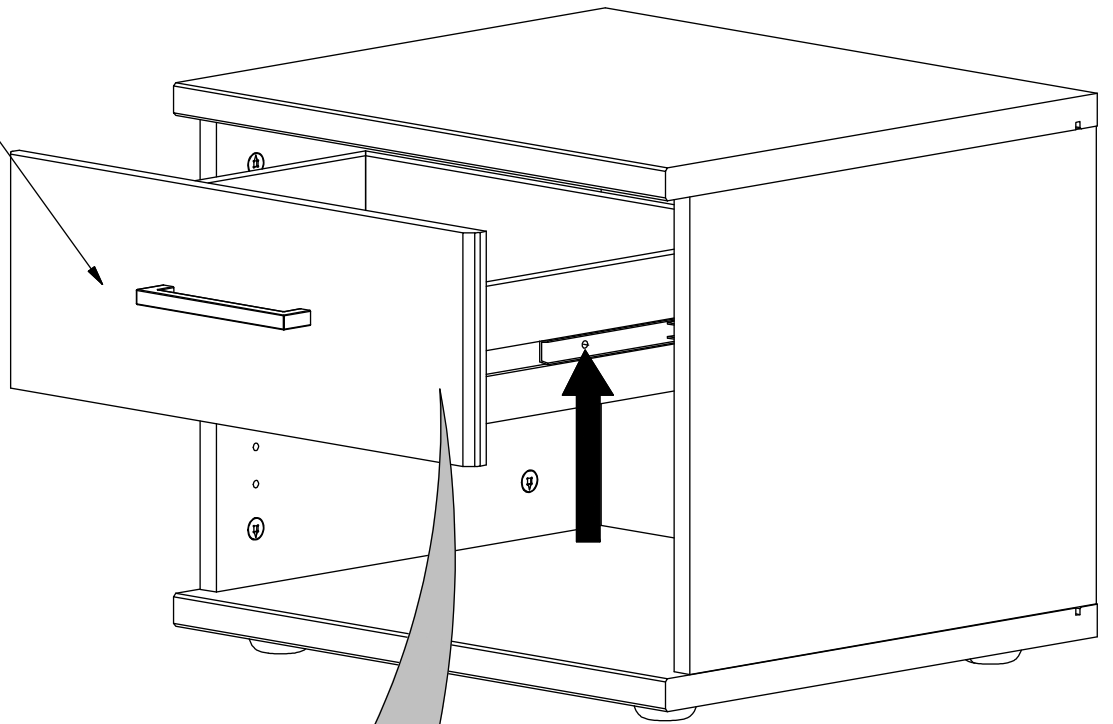








6



2x

