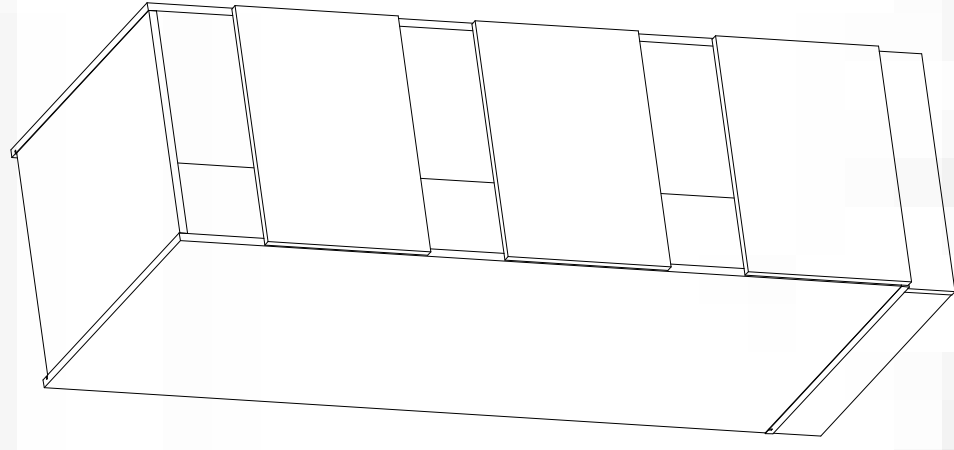
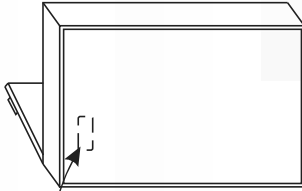
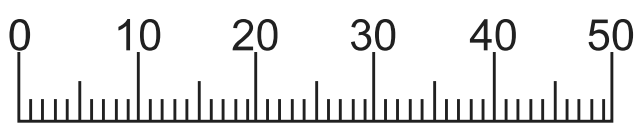
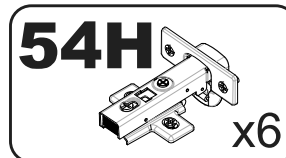
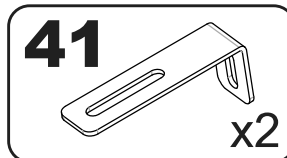
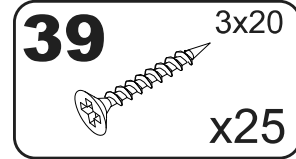
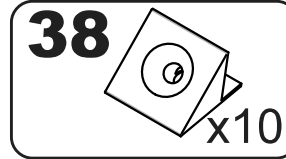
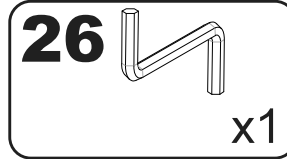
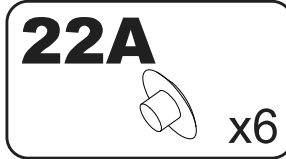
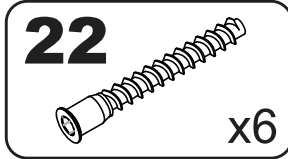
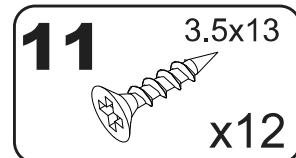
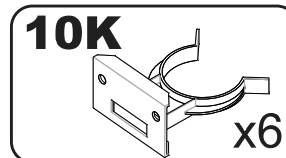
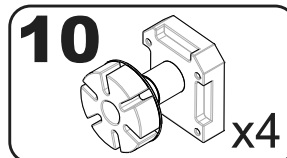
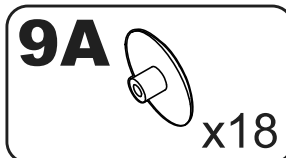
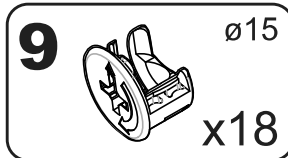
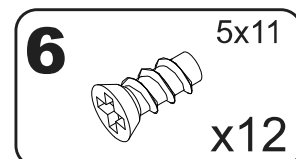
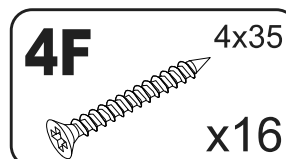
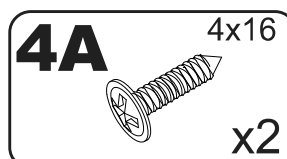
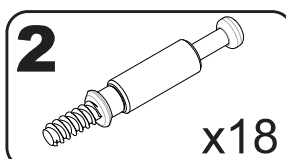
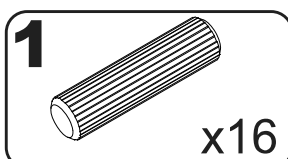
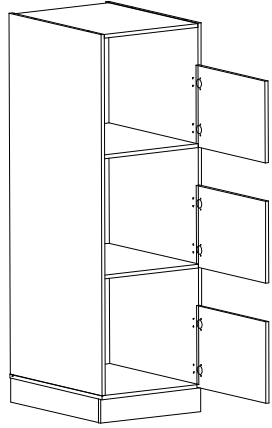
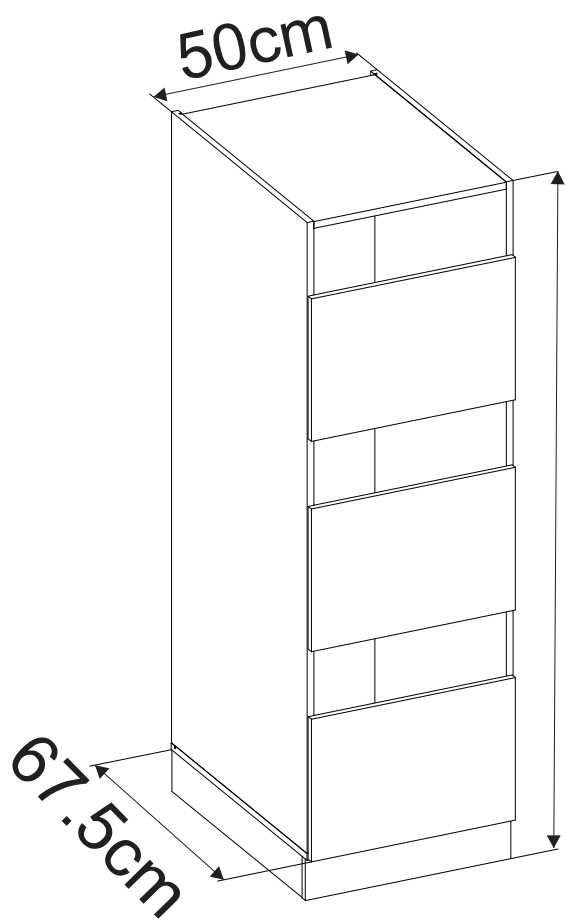
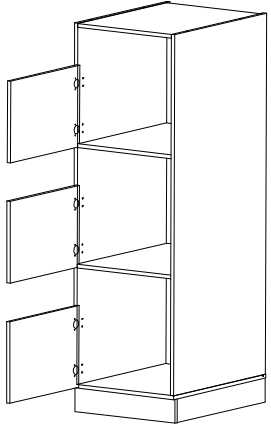
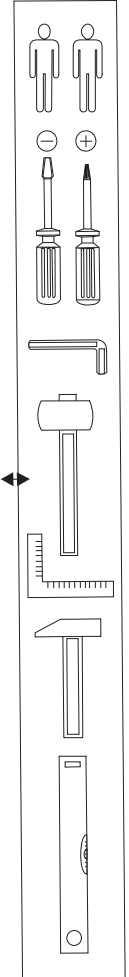
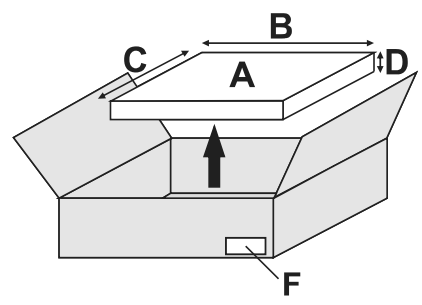
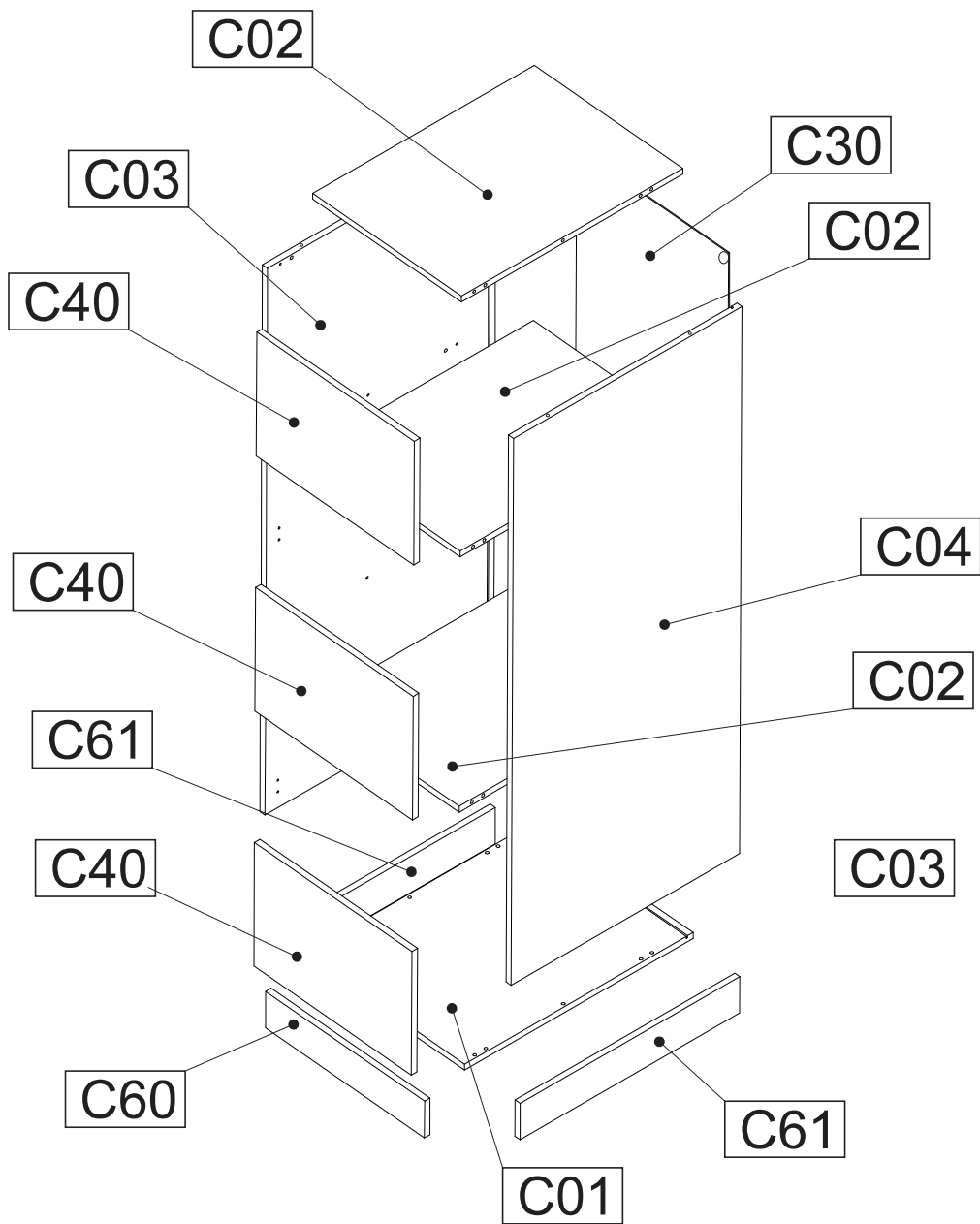


.....
XXXXXXXXXXXX serie: xxx
.....
Hergestellt für:
.....
.....



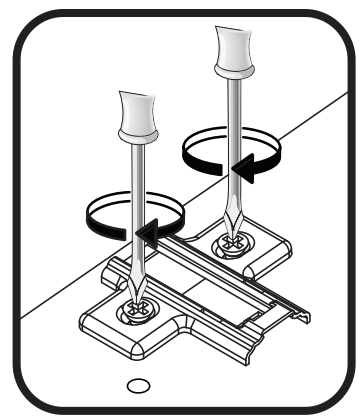
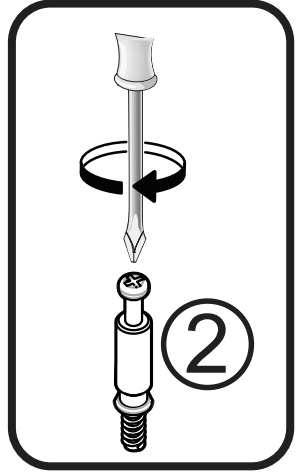
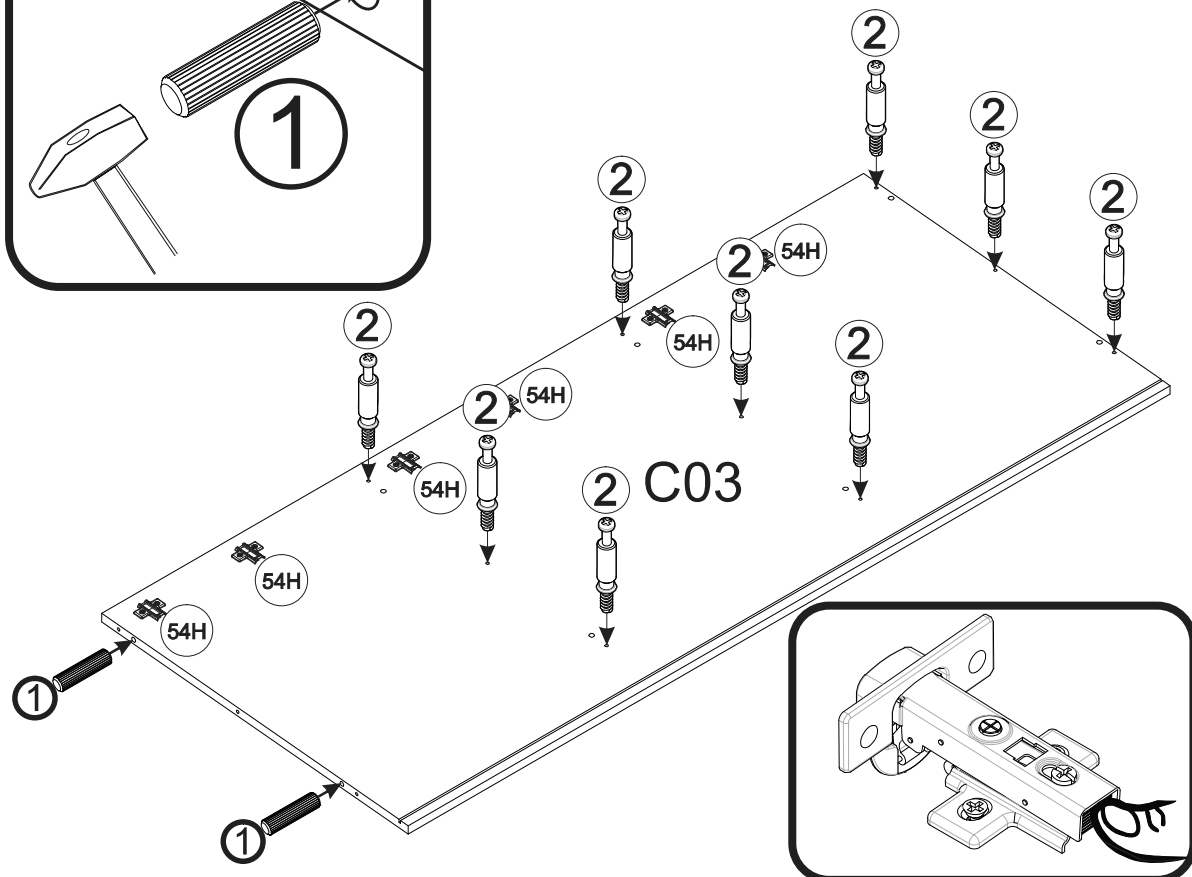
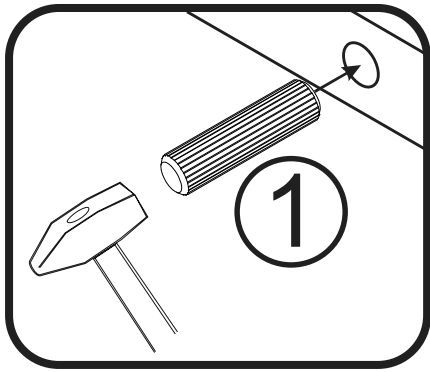
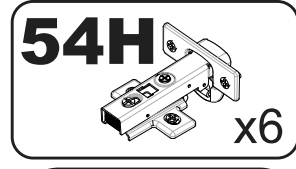
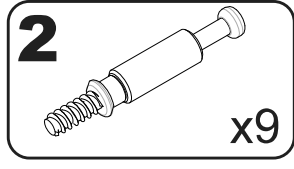
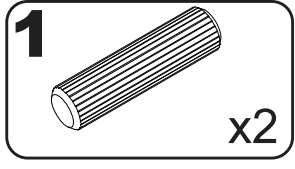
120 min



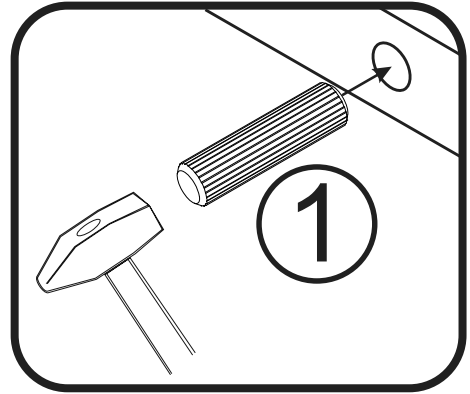
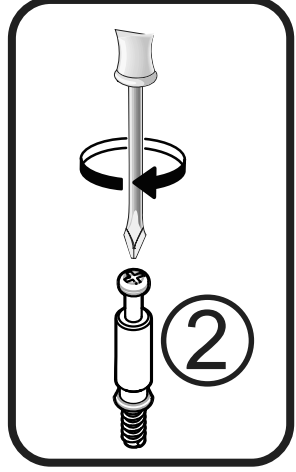
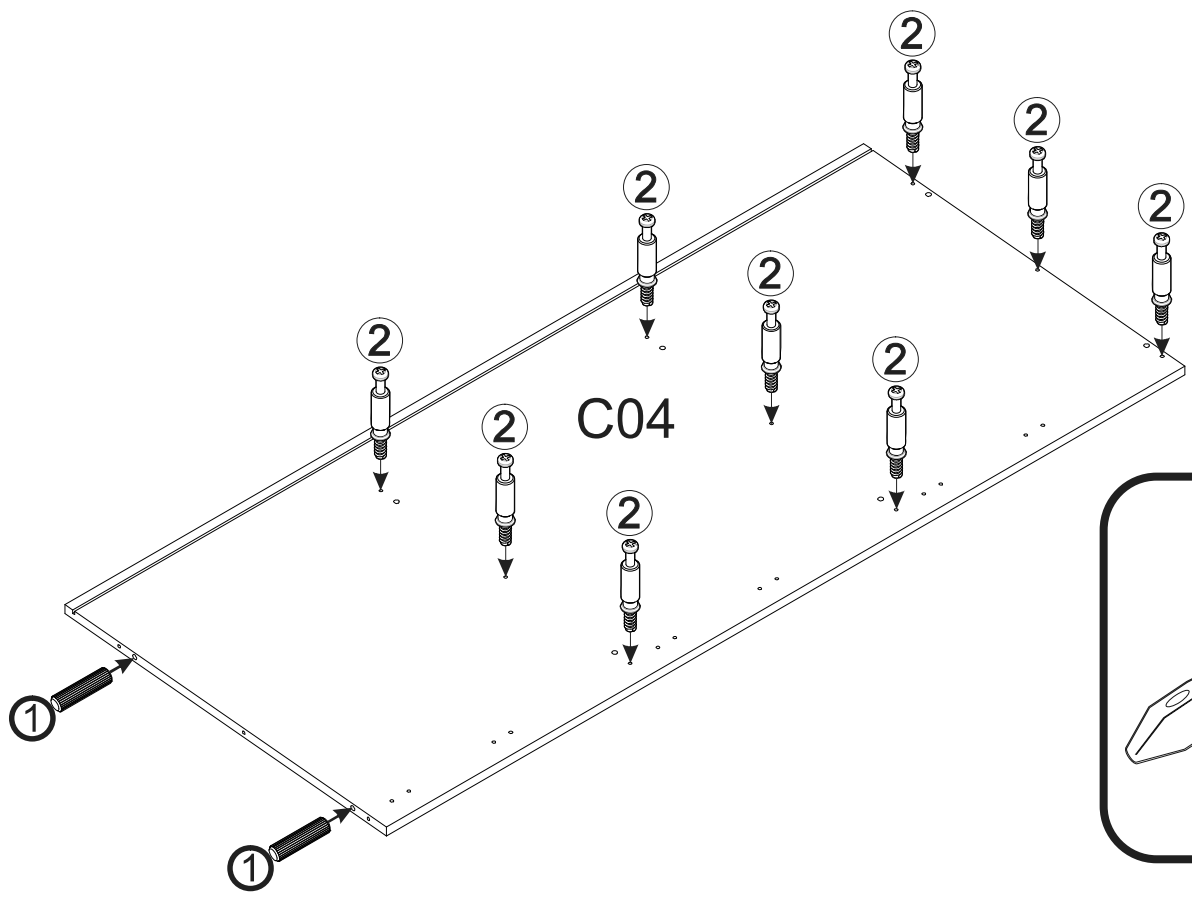
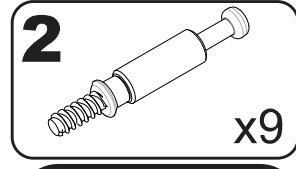
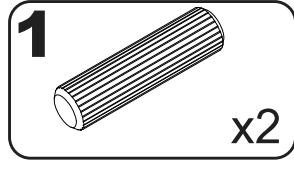


| A | B (mm) | C (mm) | D (mm) | E | F |
|-----|--------|--------|--------|---|-----|
| C01 | 502 | 660 | 16 | 1 | 112 |
| C02 | 468 | 640 | 16 | 3 | 112 |
| C03 | 1504 | 660 | 16 | 1 | 212 |
| C04 | 1504 | 660 | 16 | 1 | 212 |
| C30 | 1506 | 478 | 3 | 1 | 212 |
| C40 | 340 | 496 | 16 | 3 | 112 |
| C60 | 500 | 100 | 16 | 1 | 112 |
| C61 | 634 | 100 | 16 | 2 | 112 |

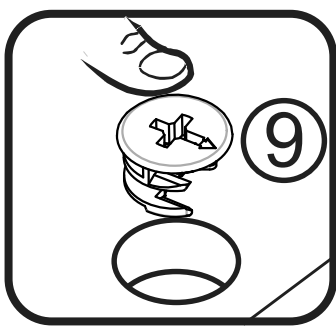
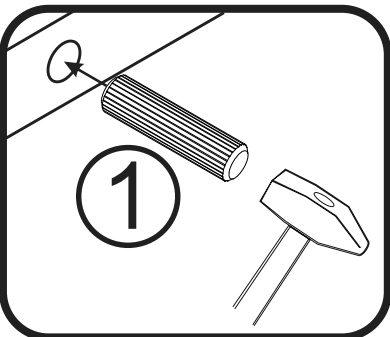
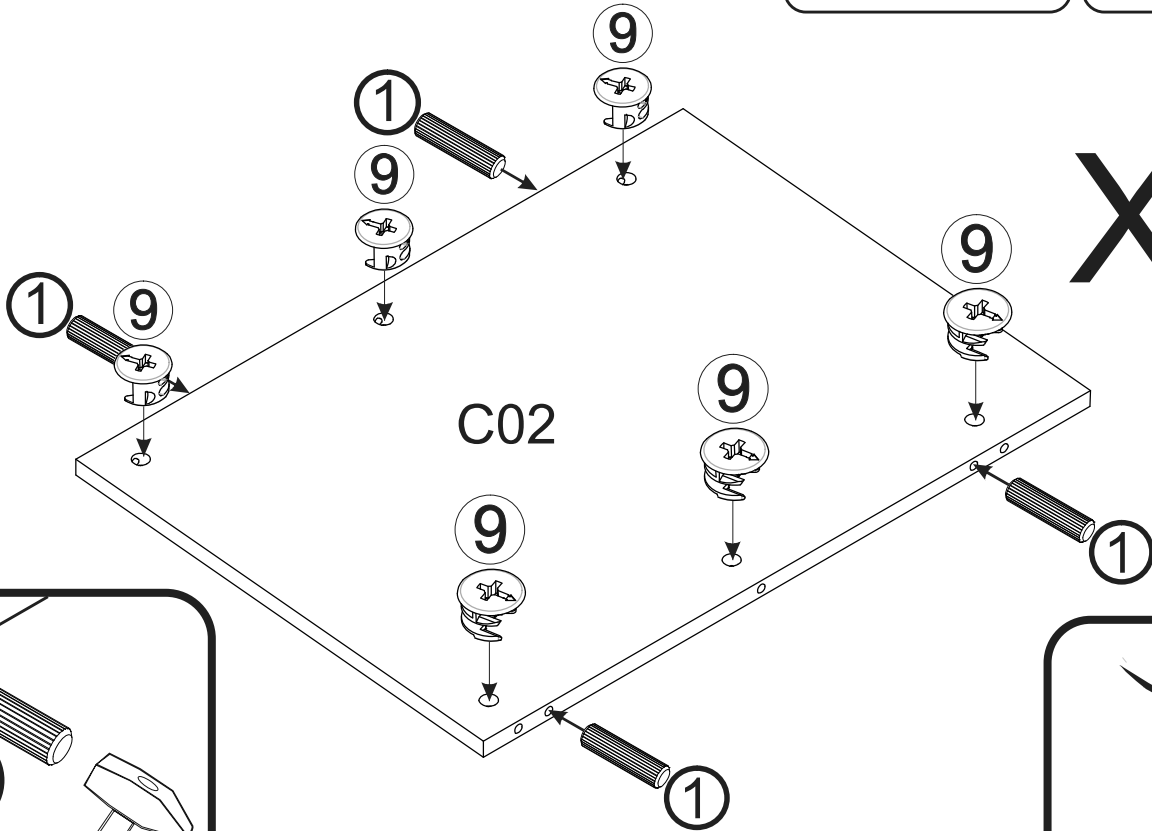
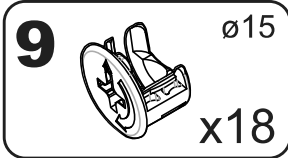
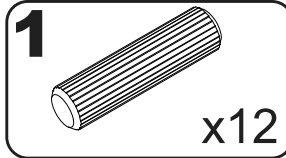
1



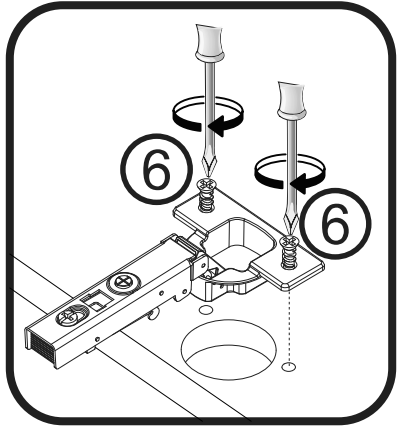
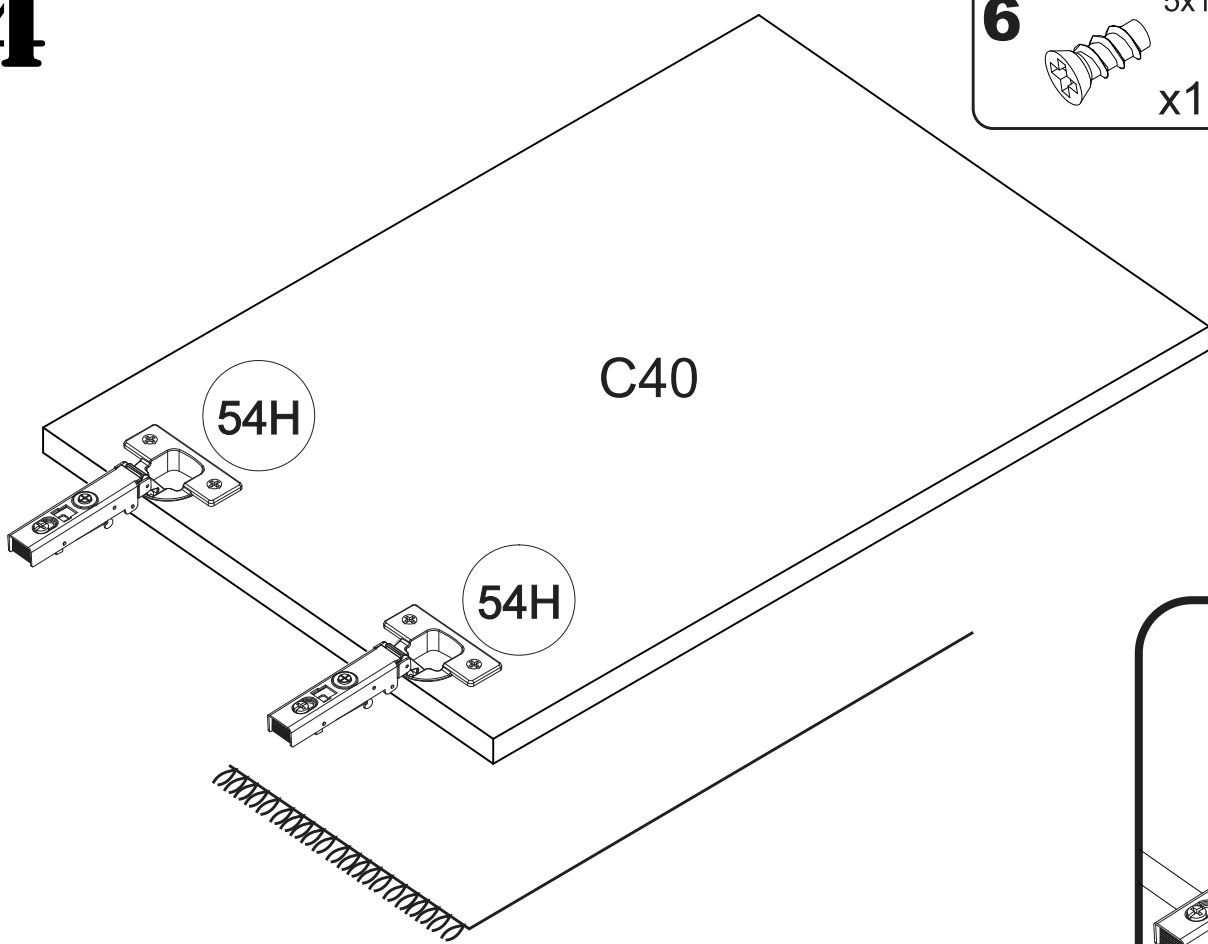
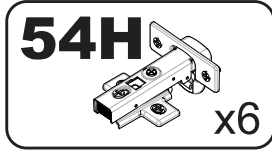
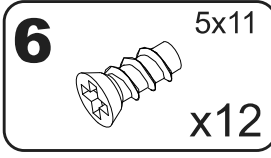
2



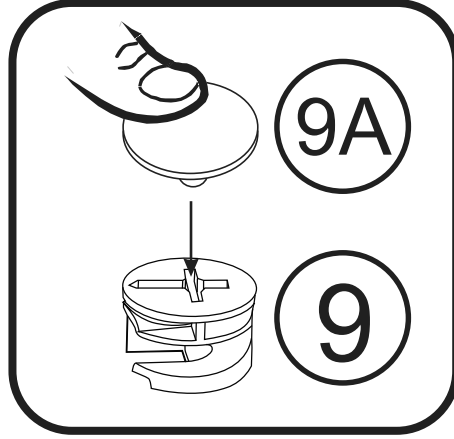
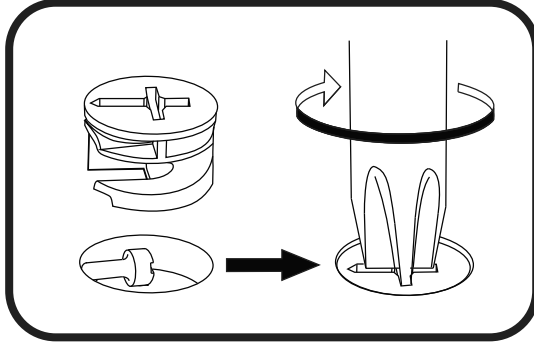
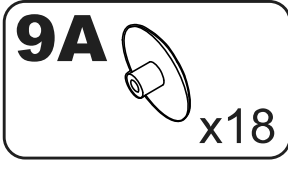
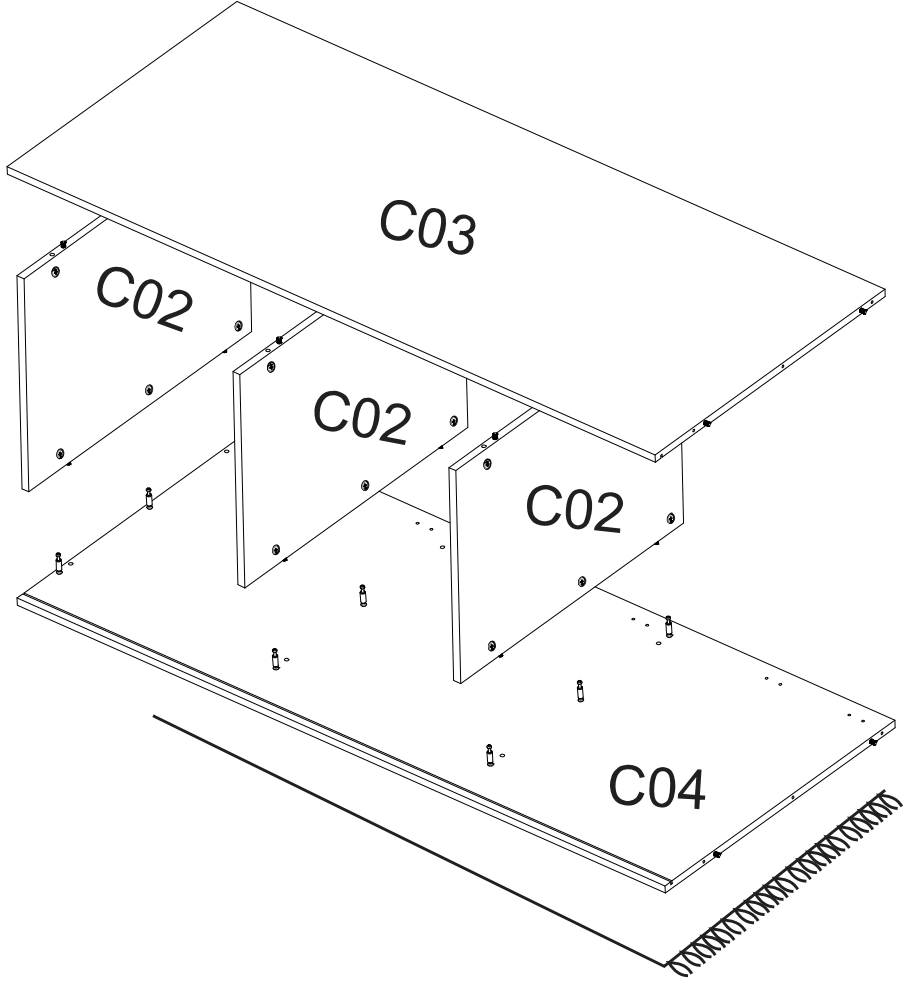
3



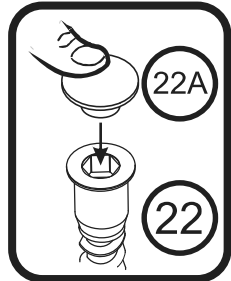
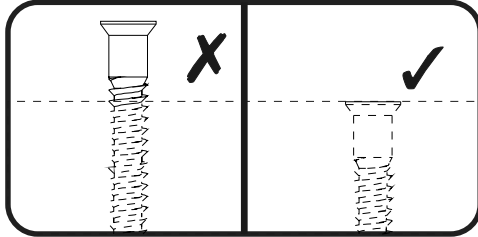
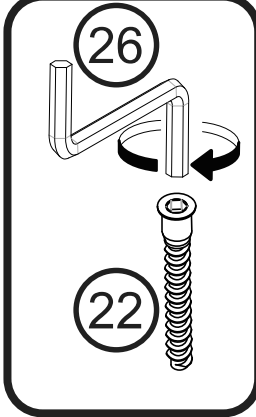
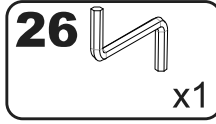
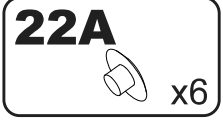
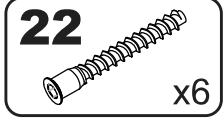
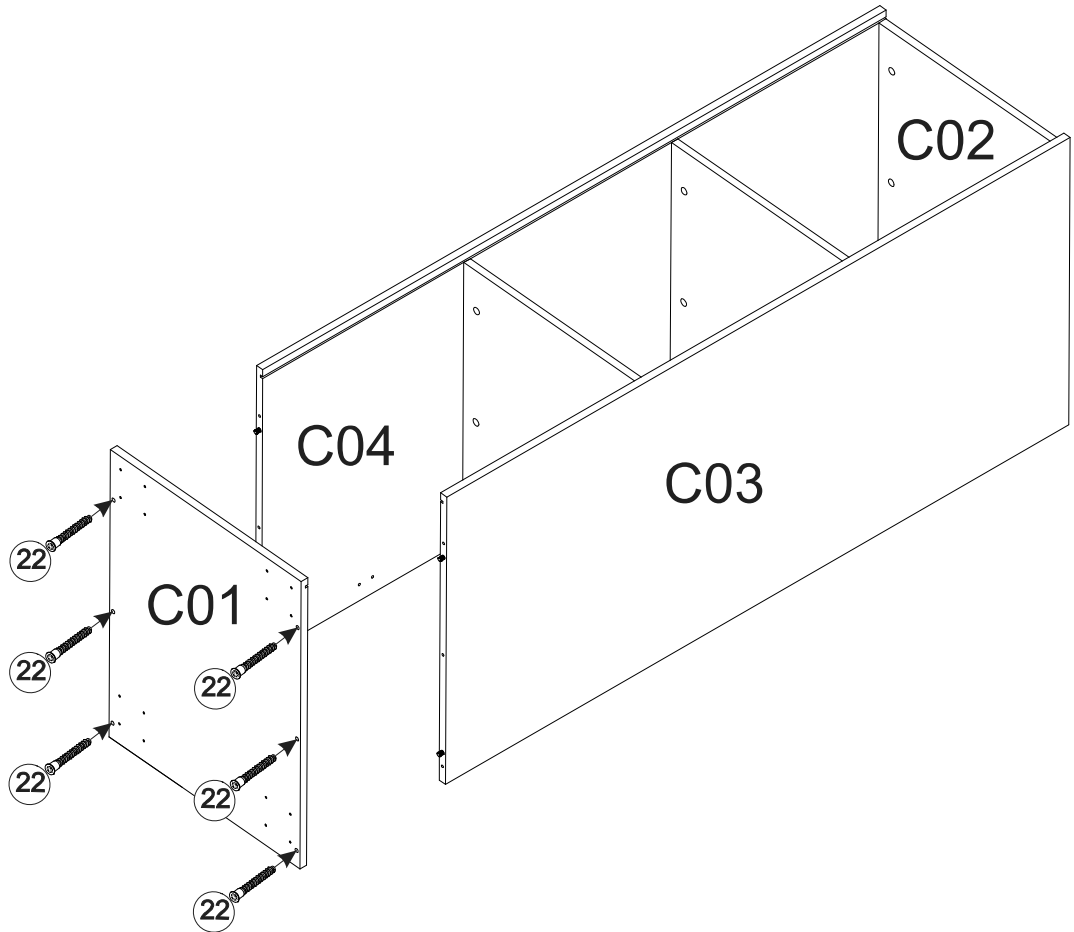
4

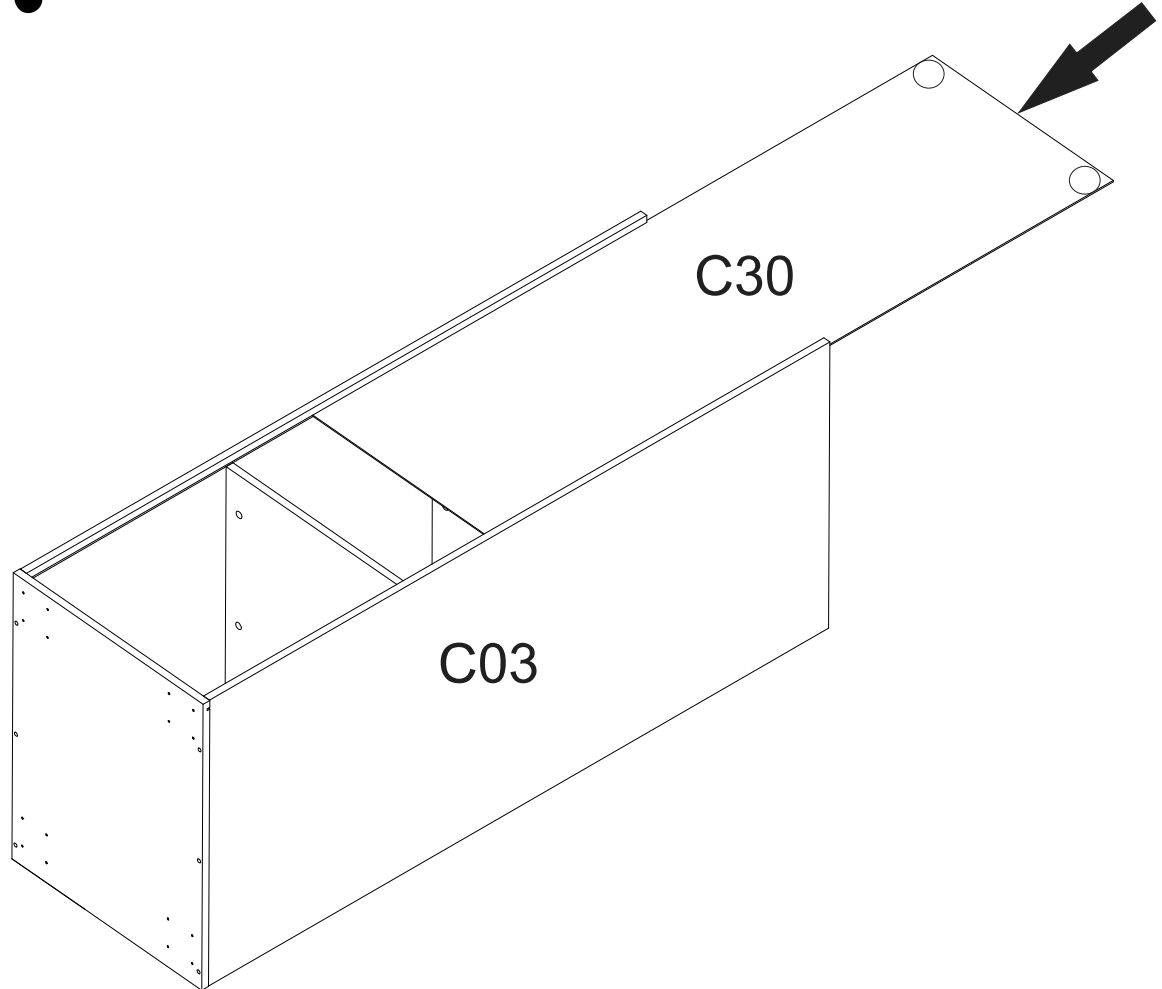


5

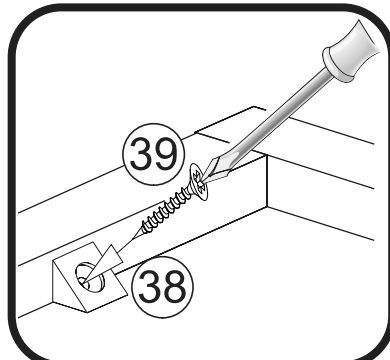
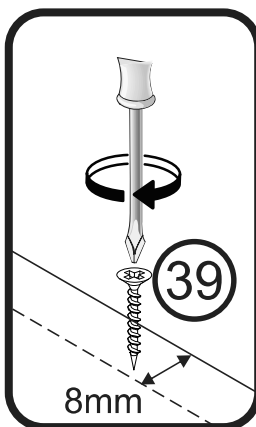
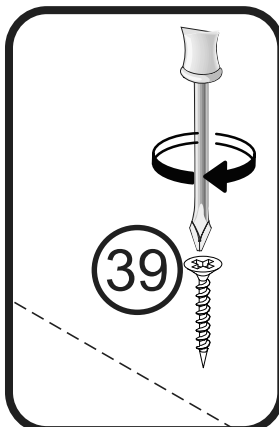
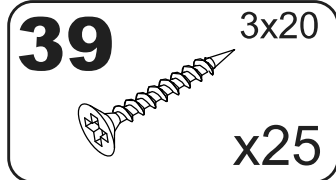
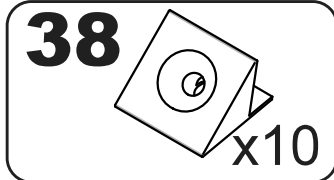
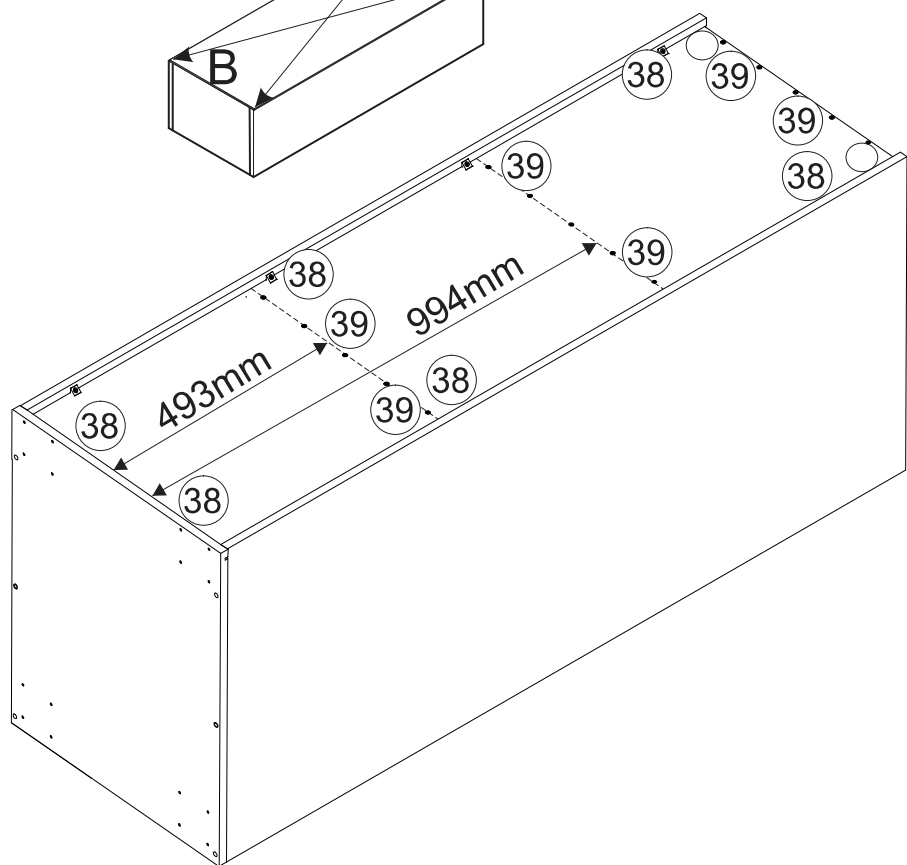
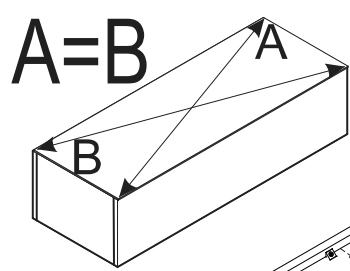


6



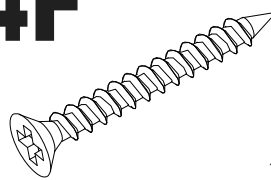


8

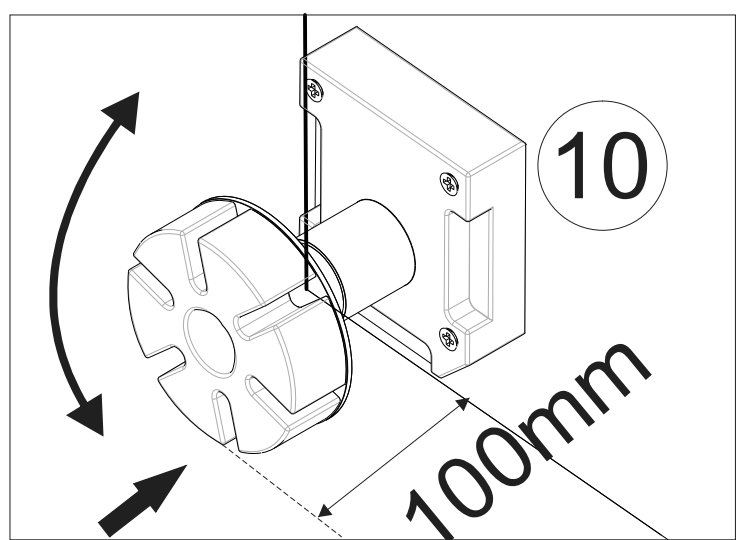
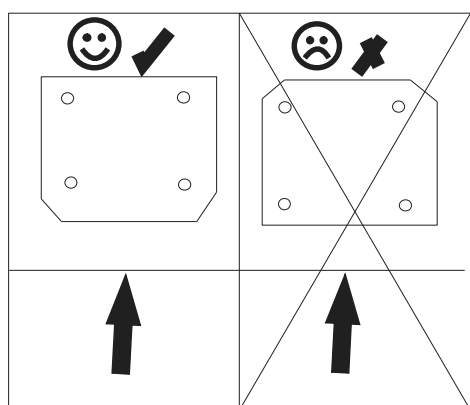
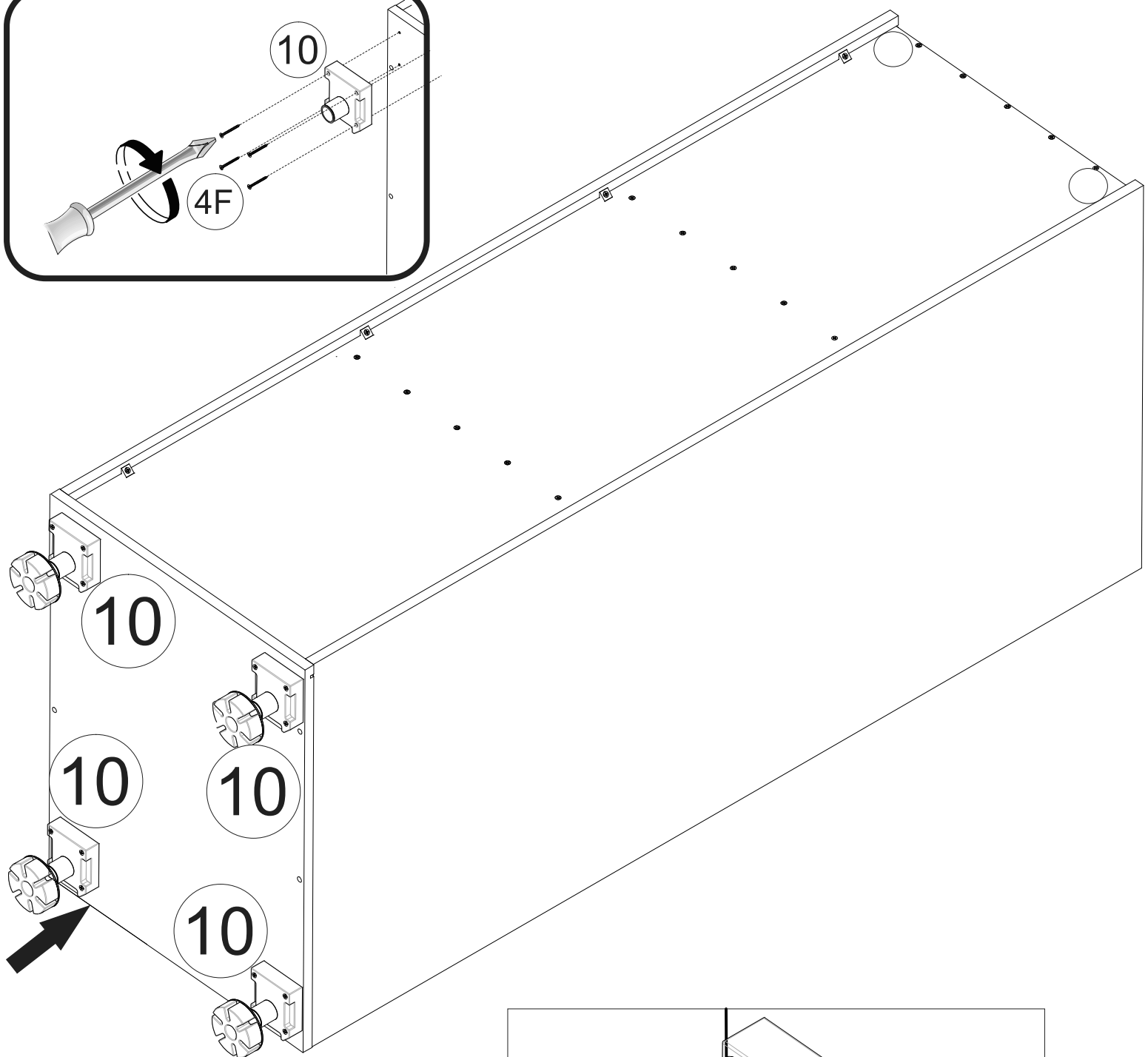
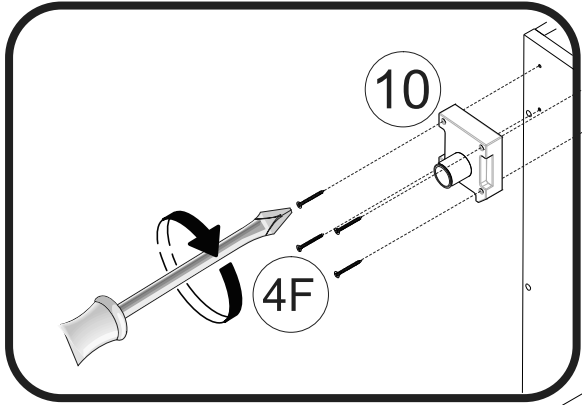
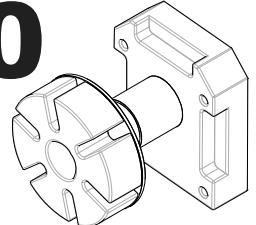


9

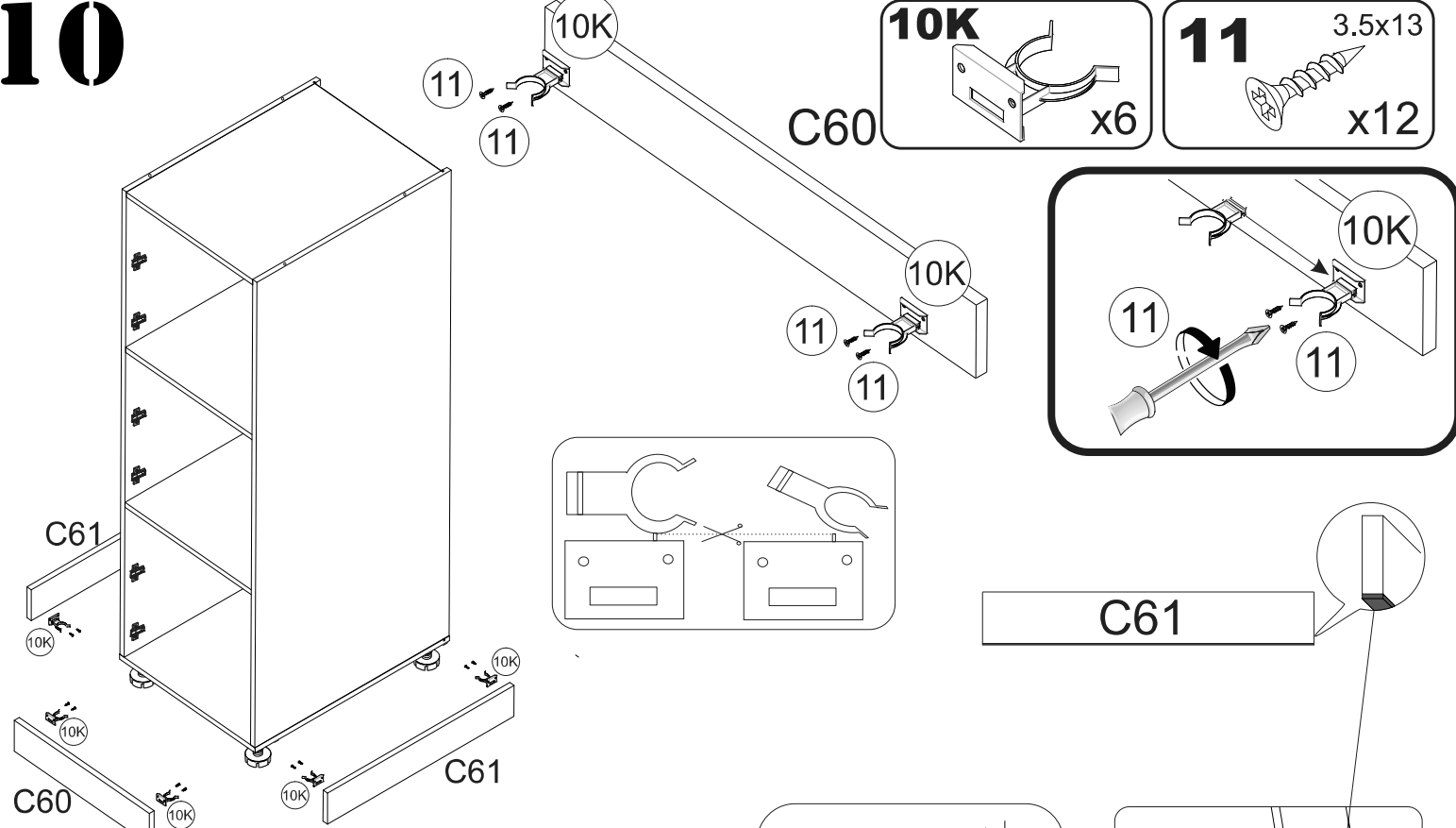
4F 4x35
x16



10 x4

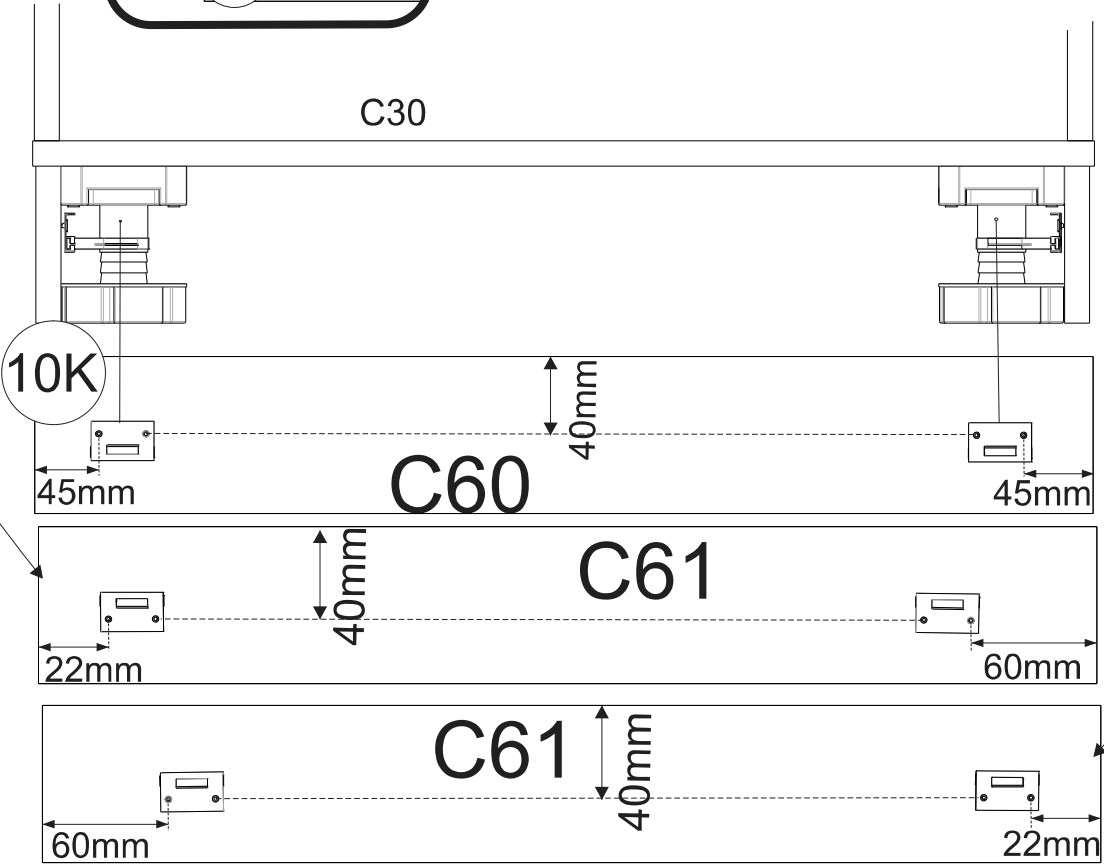
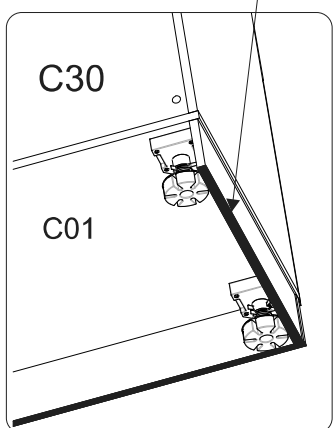
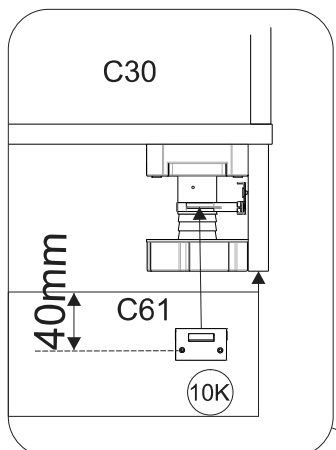
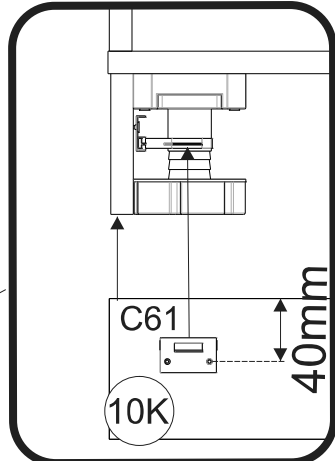
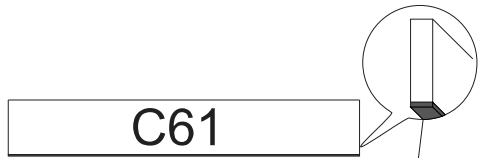
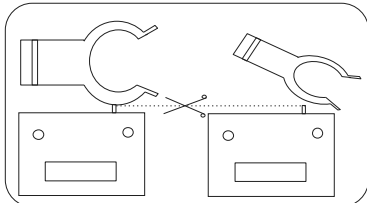


10

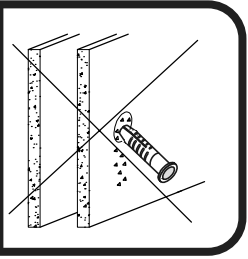
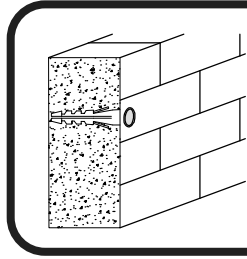
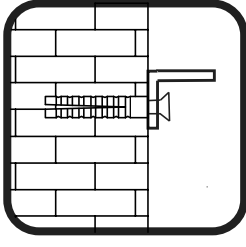
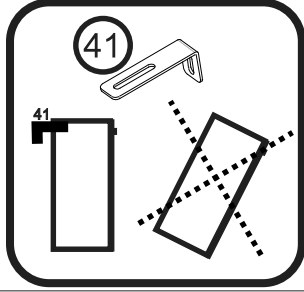
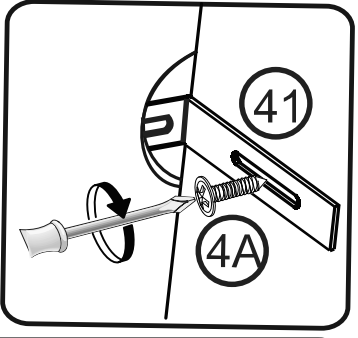
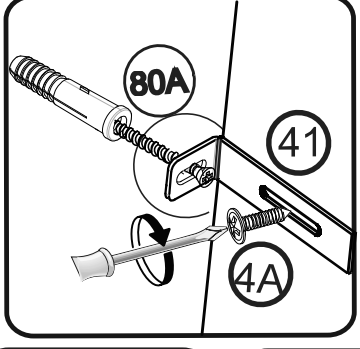
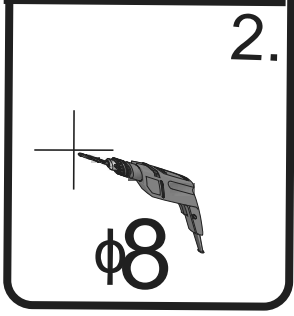
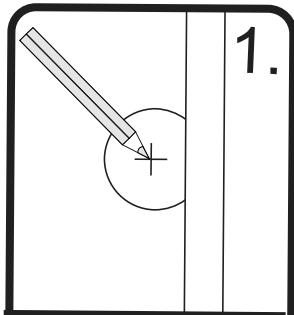
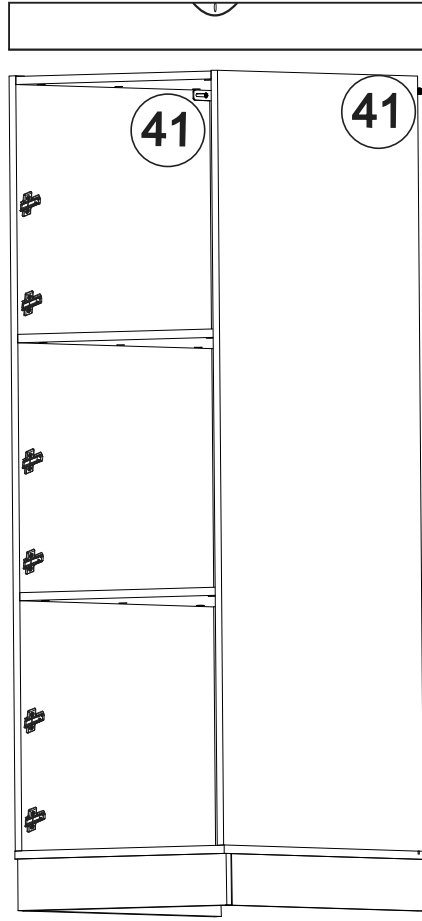
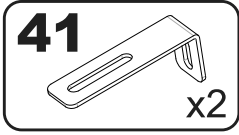


10K
x6

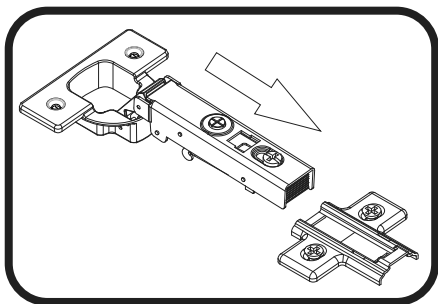
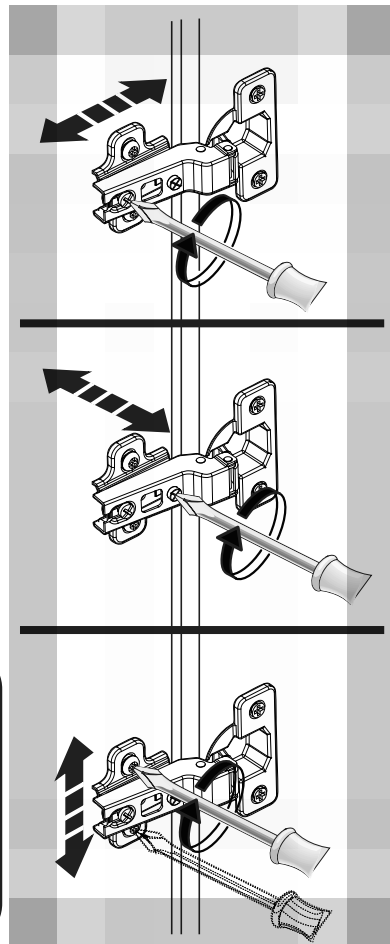
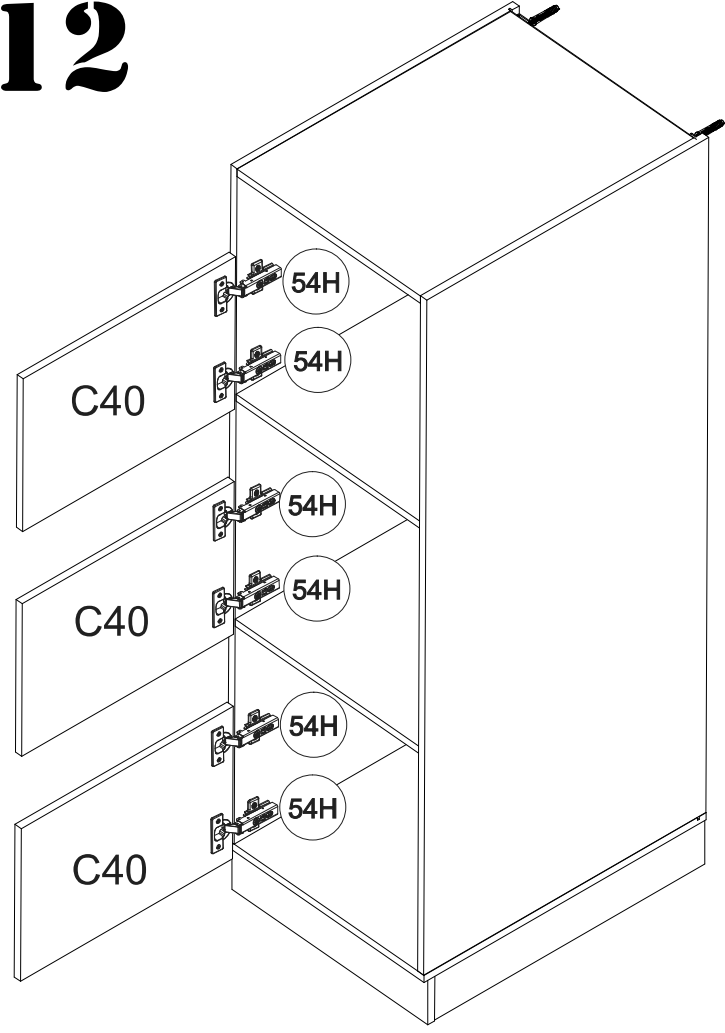
11 3.5x13
x12



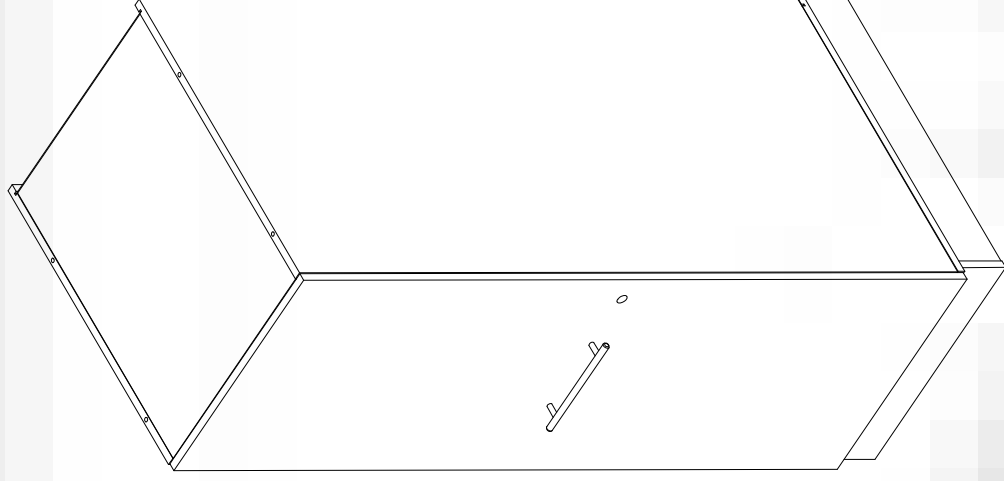
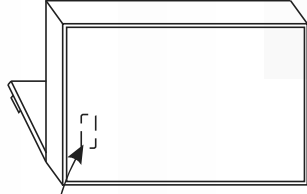
11



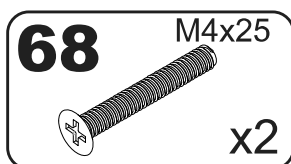
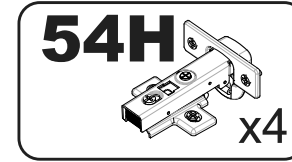
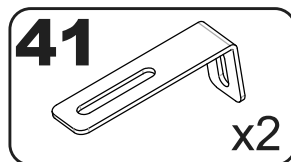
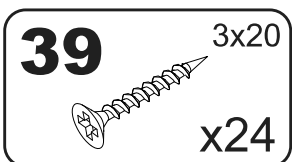
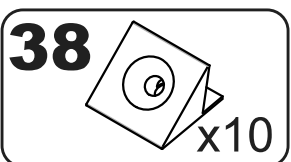
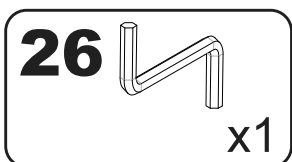
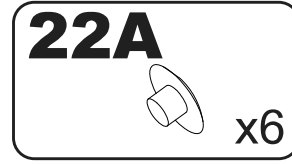
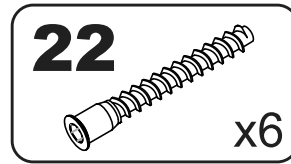
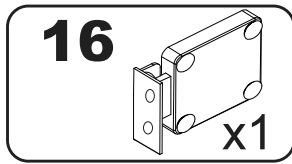
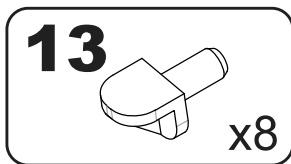
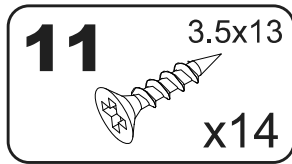
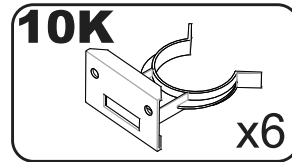
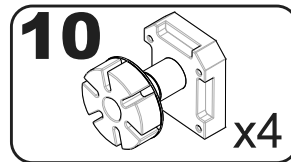
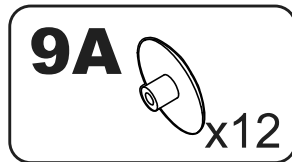
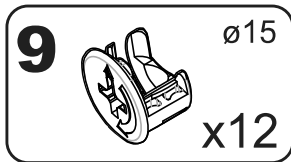
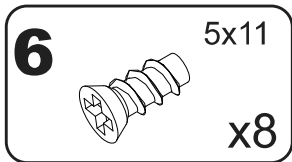
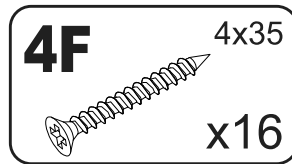
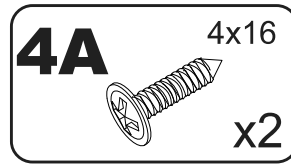
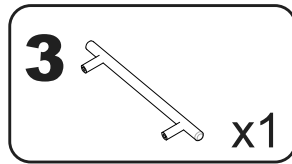
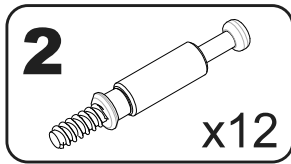
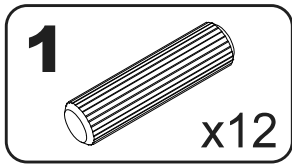
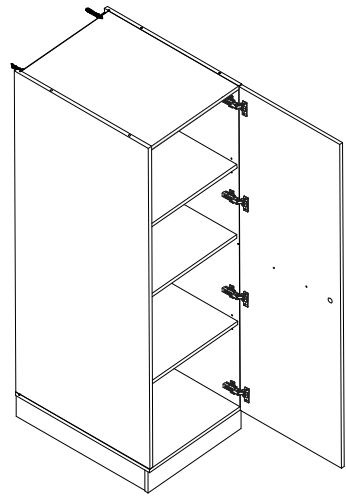
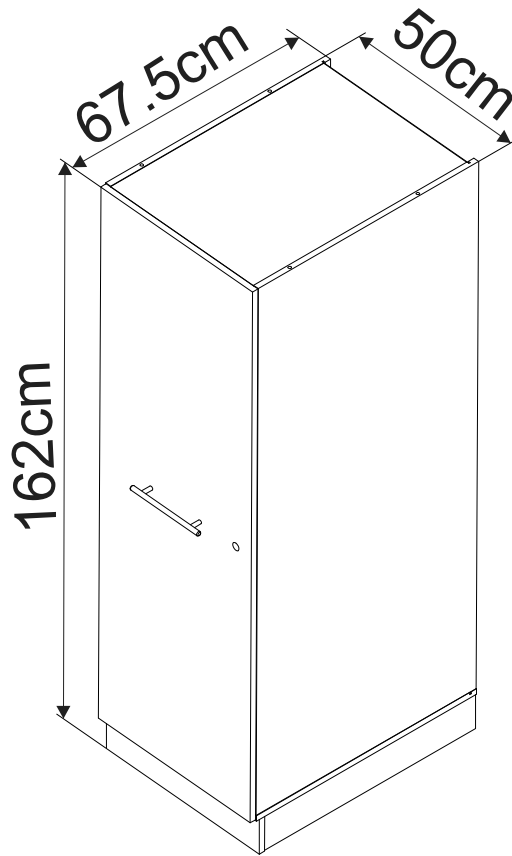
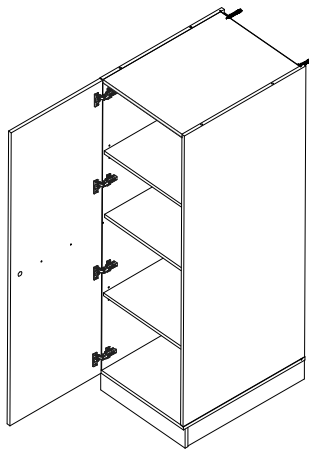
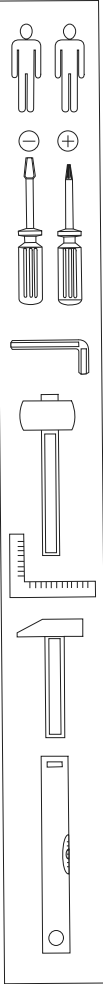
12

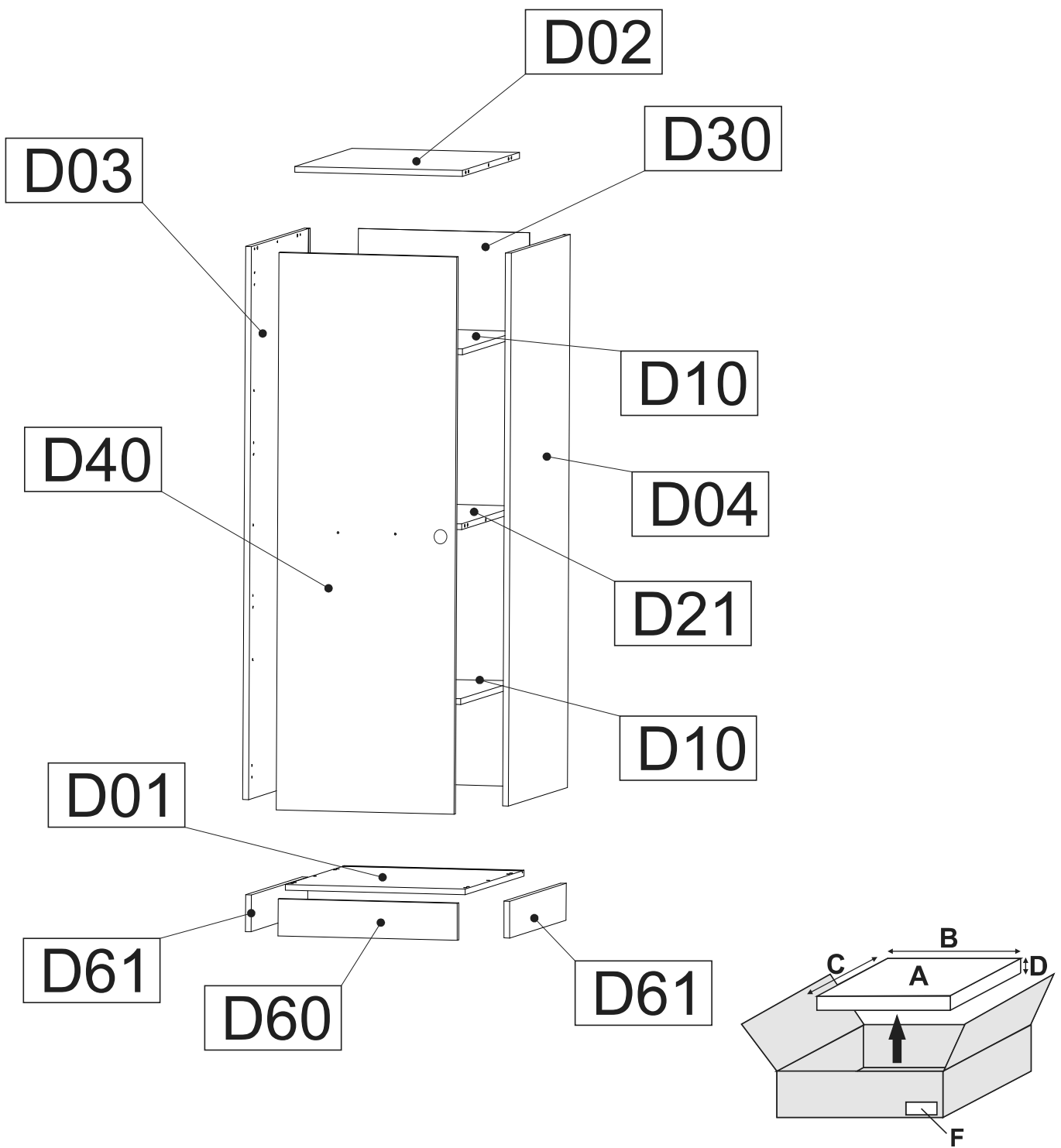


.....
XXXXXXXXXXXX serie: xxx
.....
Hergestellt für:
.....
.....



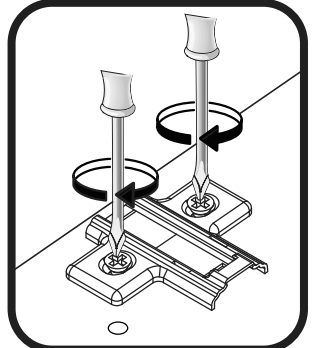
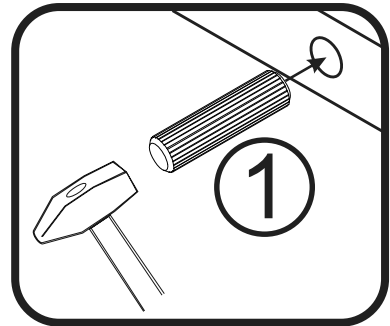
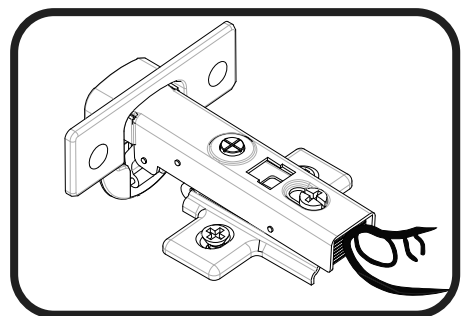
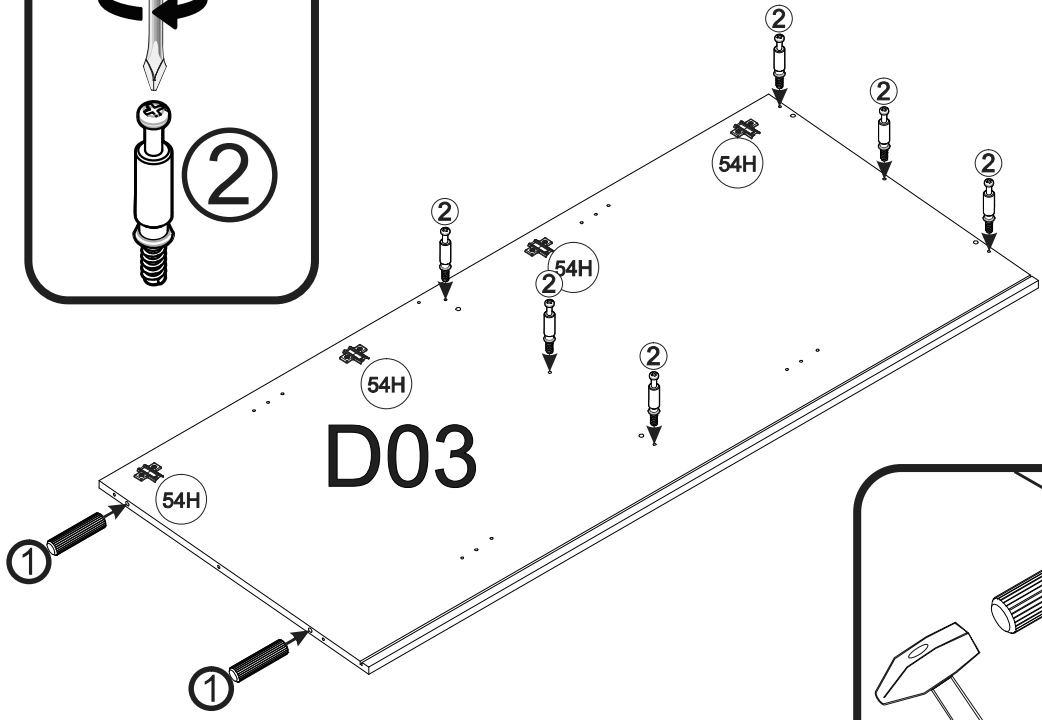
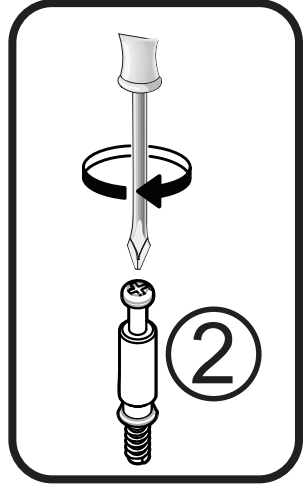
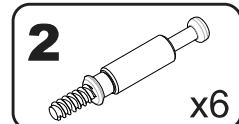
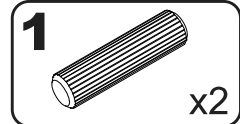
120 min



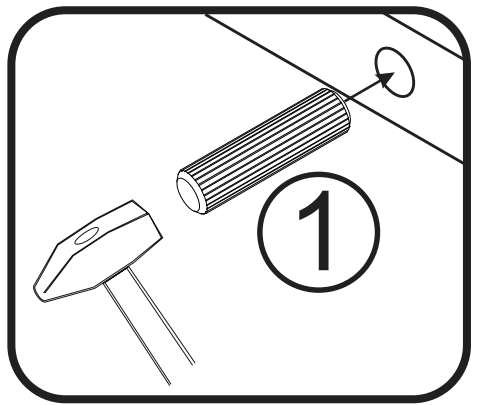
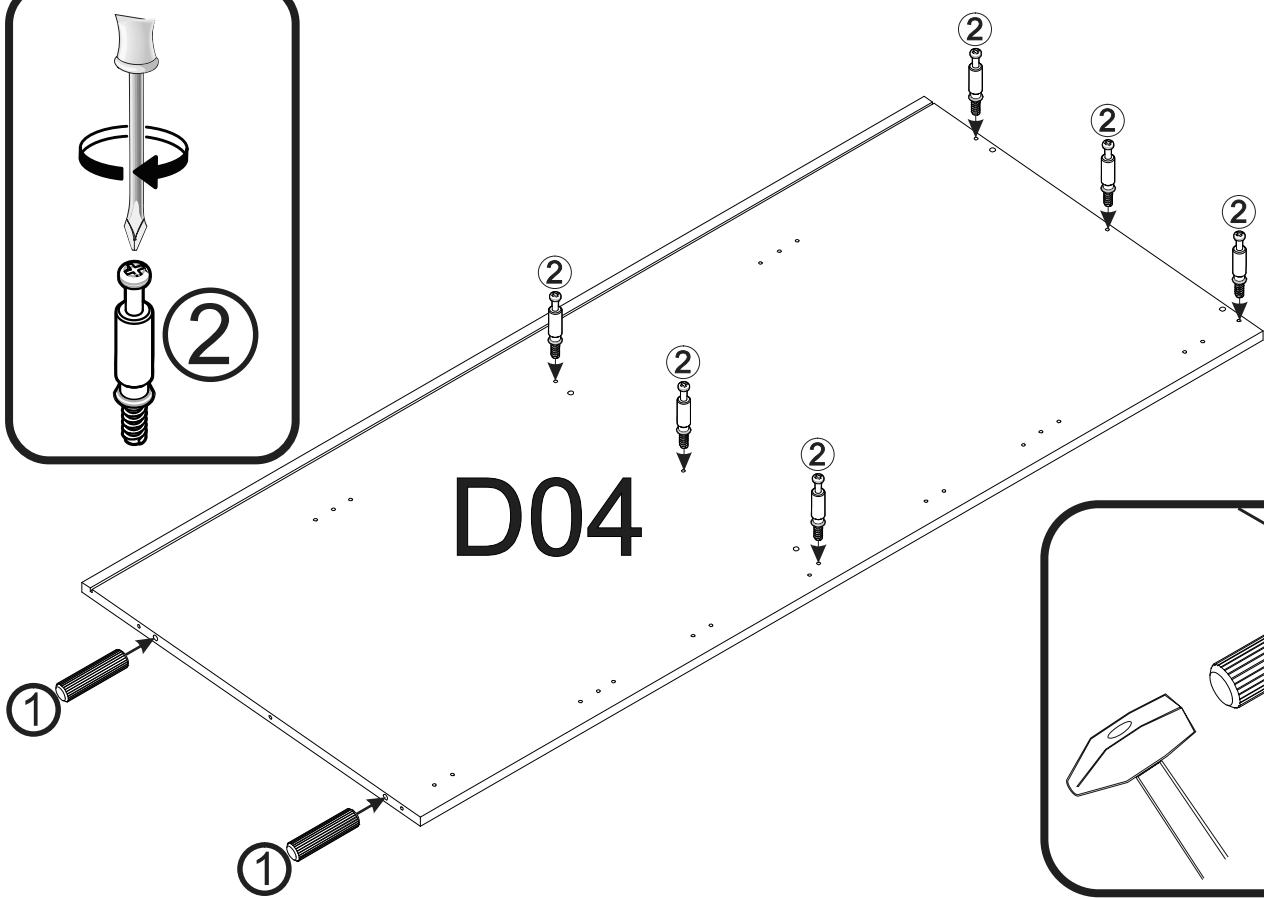
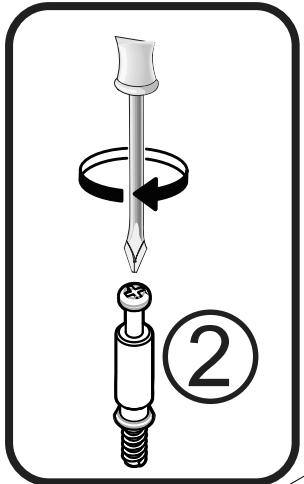
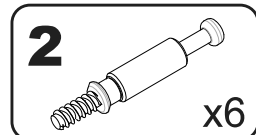
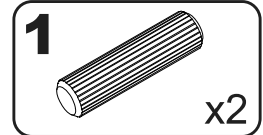


| A | B (mm) | C (mm) | D (mm) | E | F |
|-----|--------|--------|--------|---|-----|
| D01 | 502 | 660 | 16 | 1 | 112 |
| D02 | 468 | 640 | 16 | 1 | 112 |
| D03 | 1504 | 660 | 16 | 1 | 212 |
| D04 | 1504 | 660 | 16 | 1 | 212 |
| D10 | 468 | 628 | 16 | 2 | 112 |
| D21 | 468 | 628 | 16 | 1 | 112 |
| D30 | 1506 | 478 | 3 | 1 | 212 |
| D40 | 1516 | 496 | 16 | 1 | 212 |
| D60 | 500 | 100 | 16 | 1 | 112 |
| D61 | 634 | 100 | 16 | 2 | 112 |

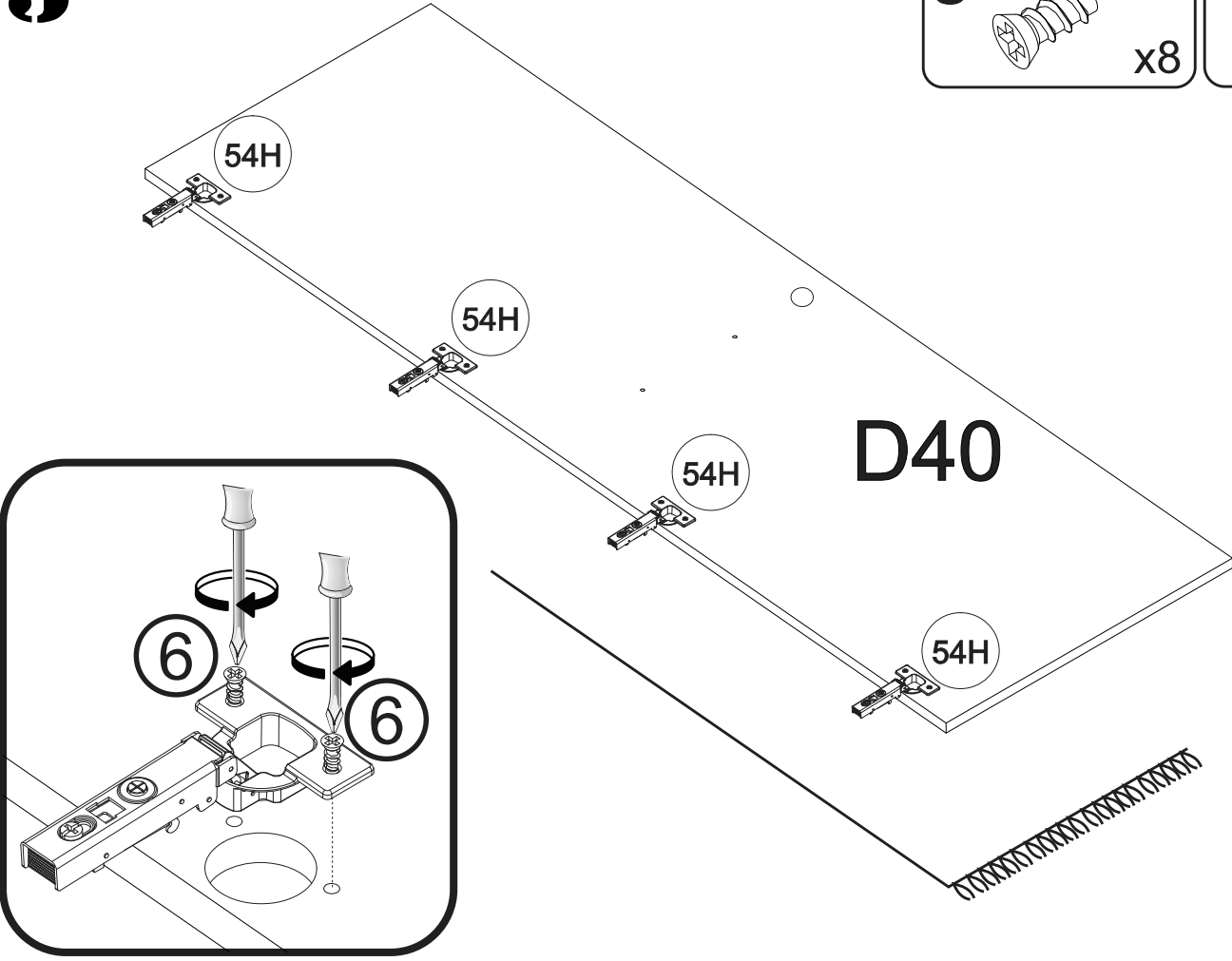
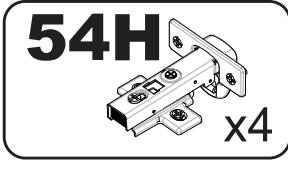
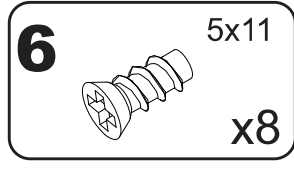
1



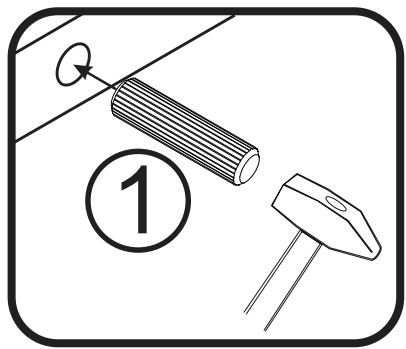
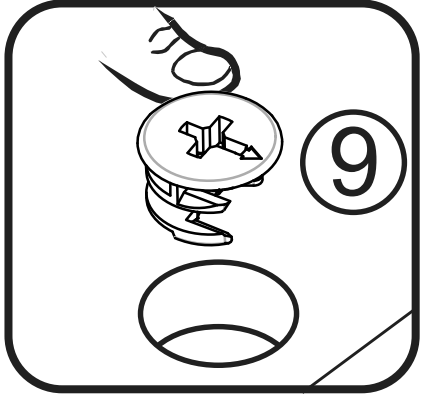
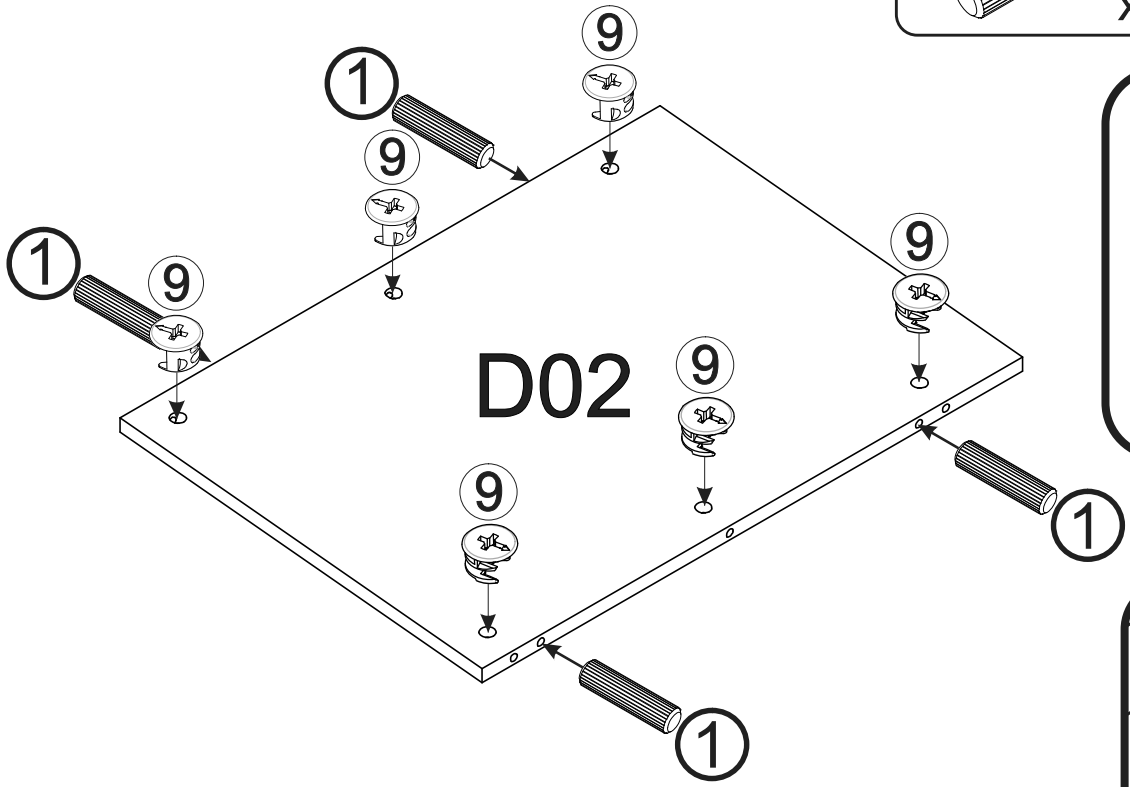
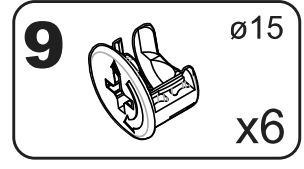
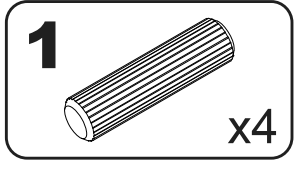
2



3

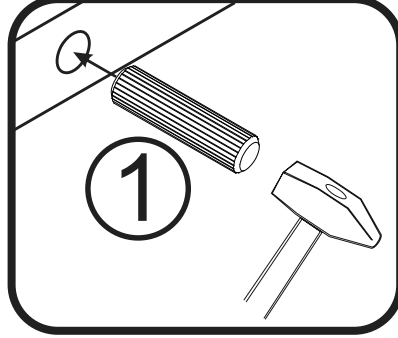
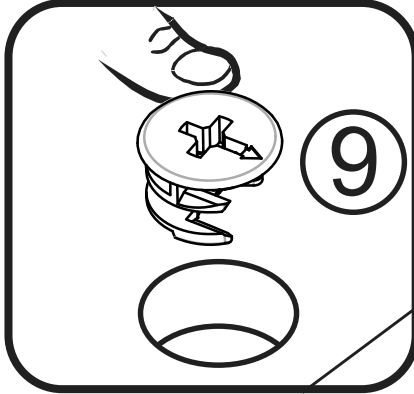
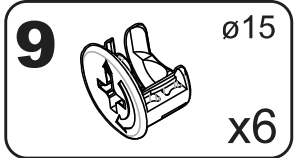
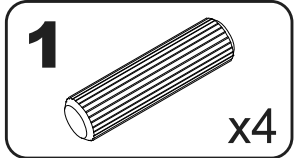
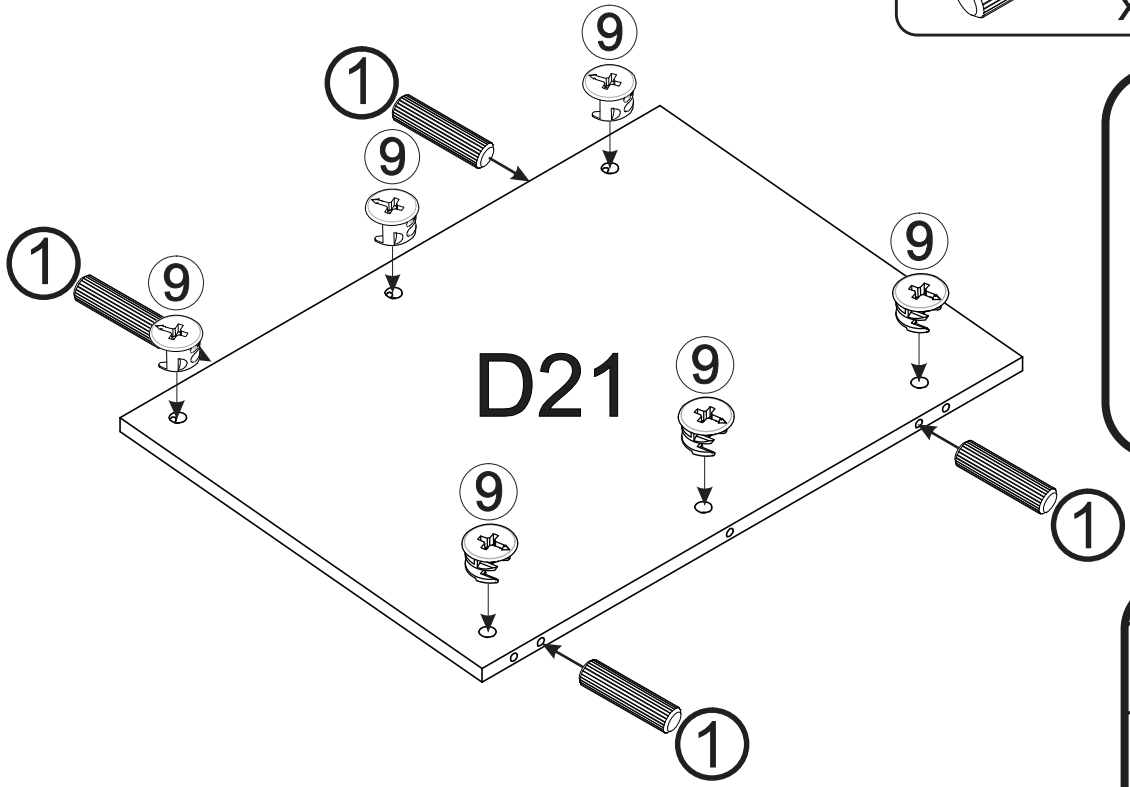


4

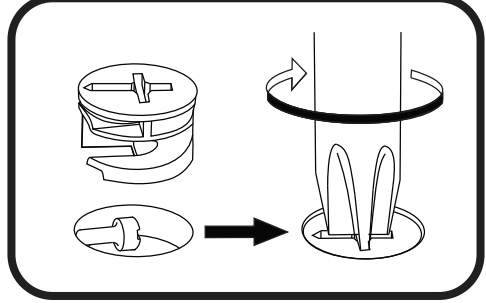
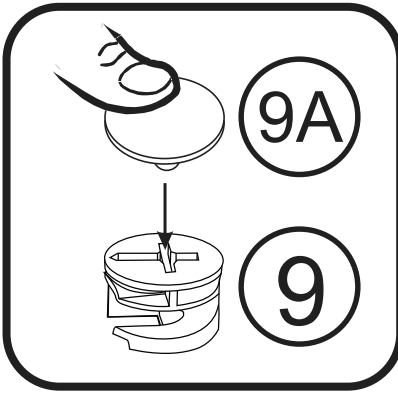
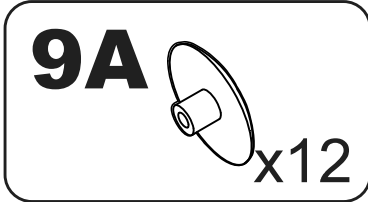
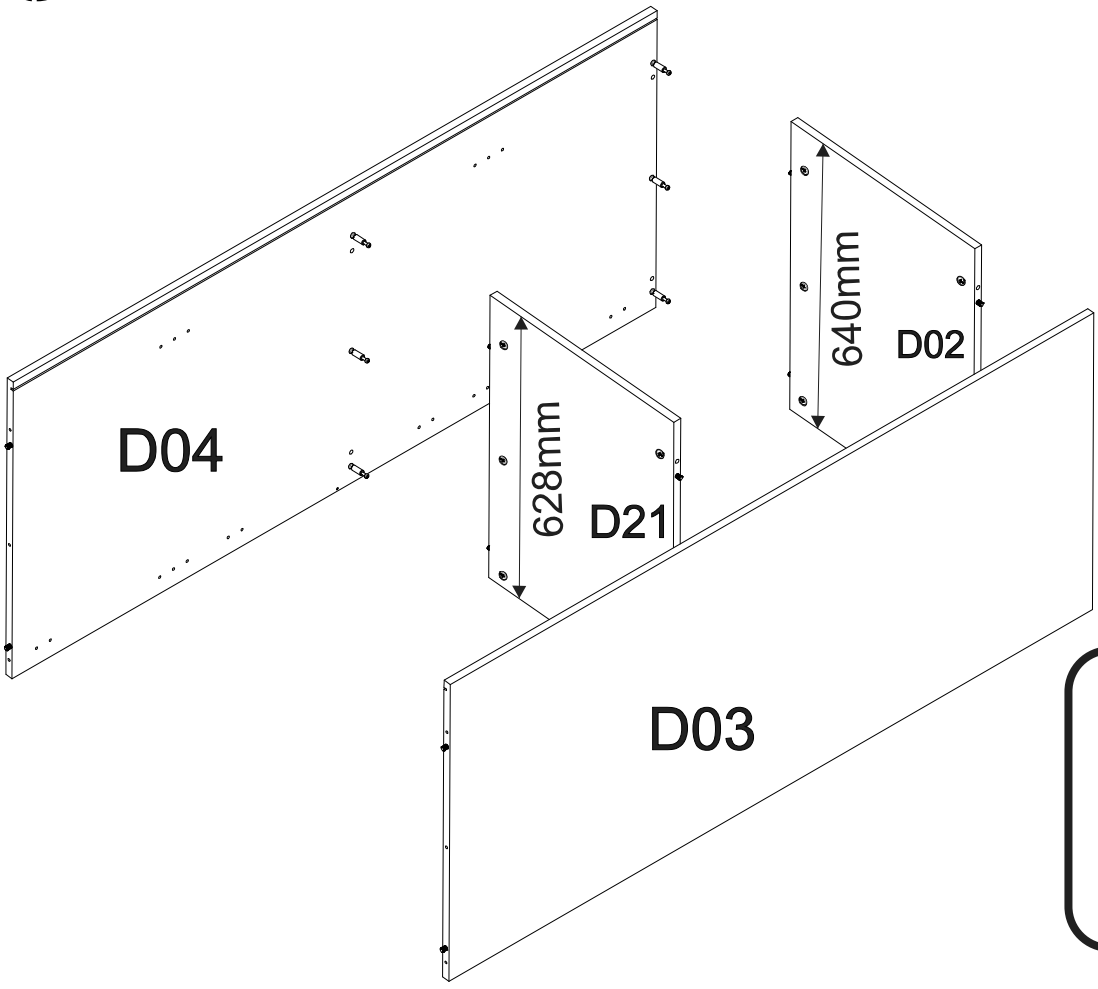


5

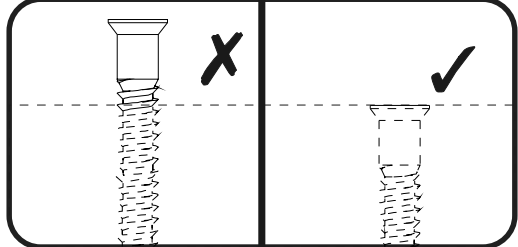
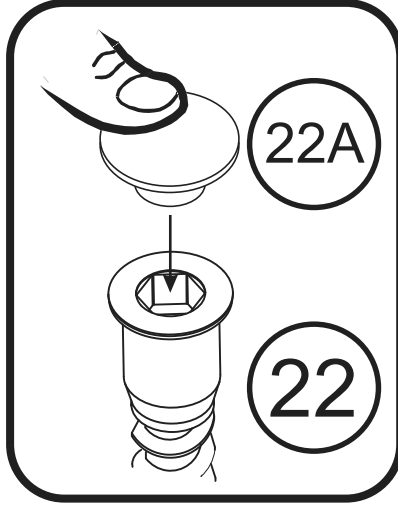
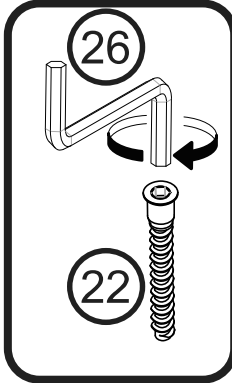
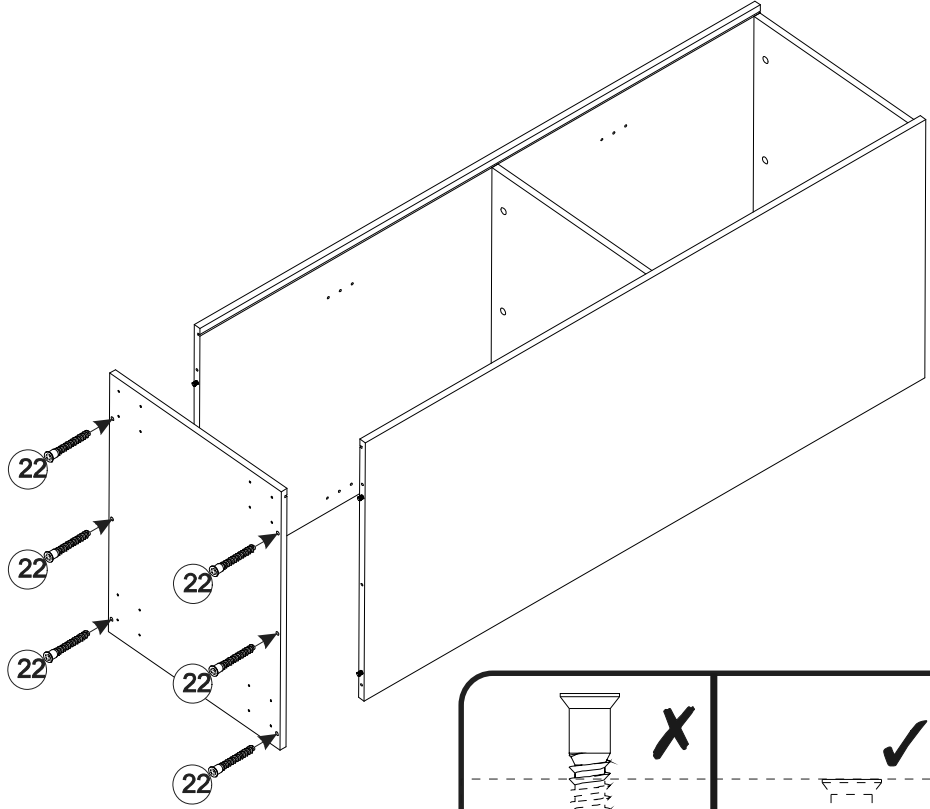
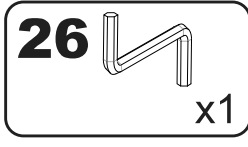
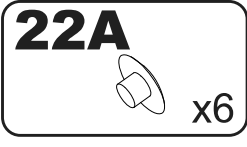
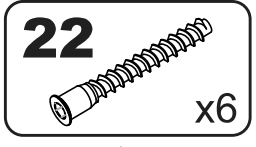
5



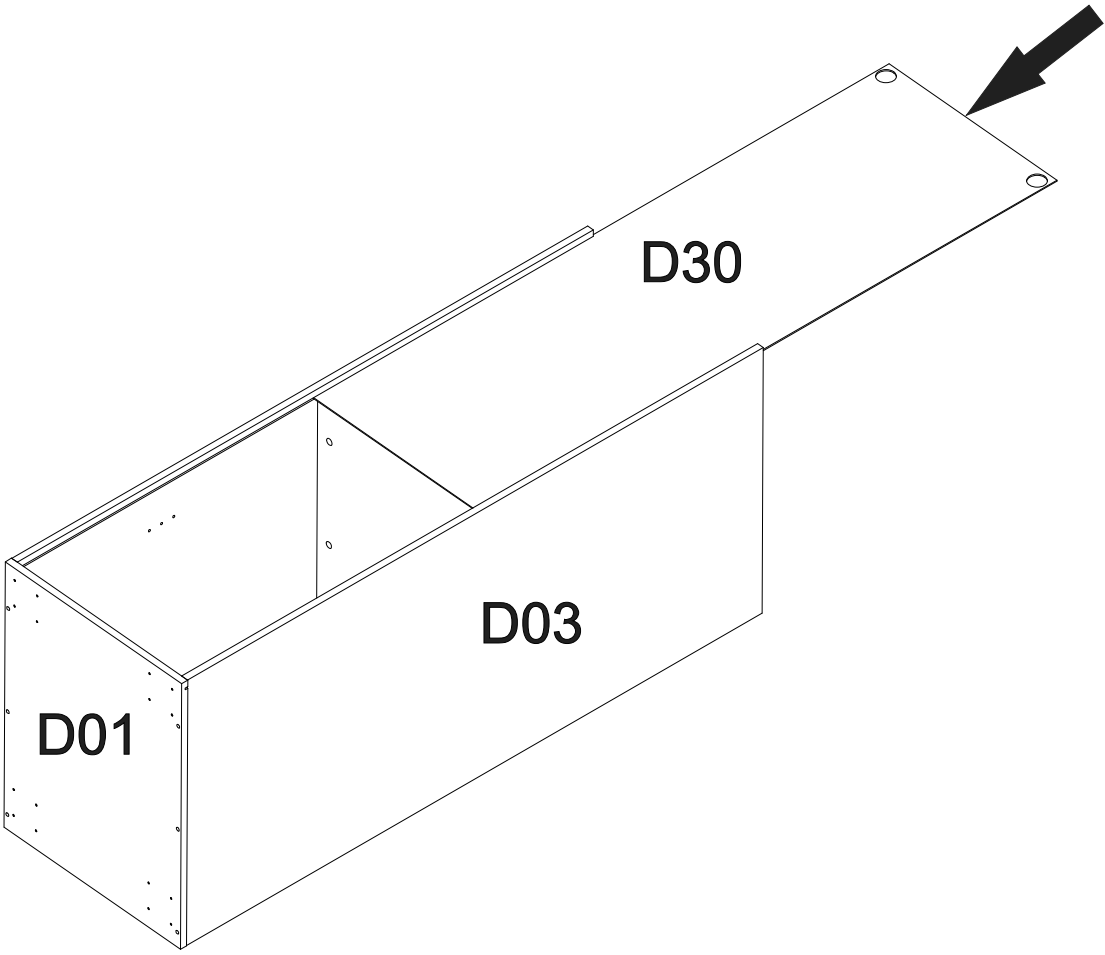
6



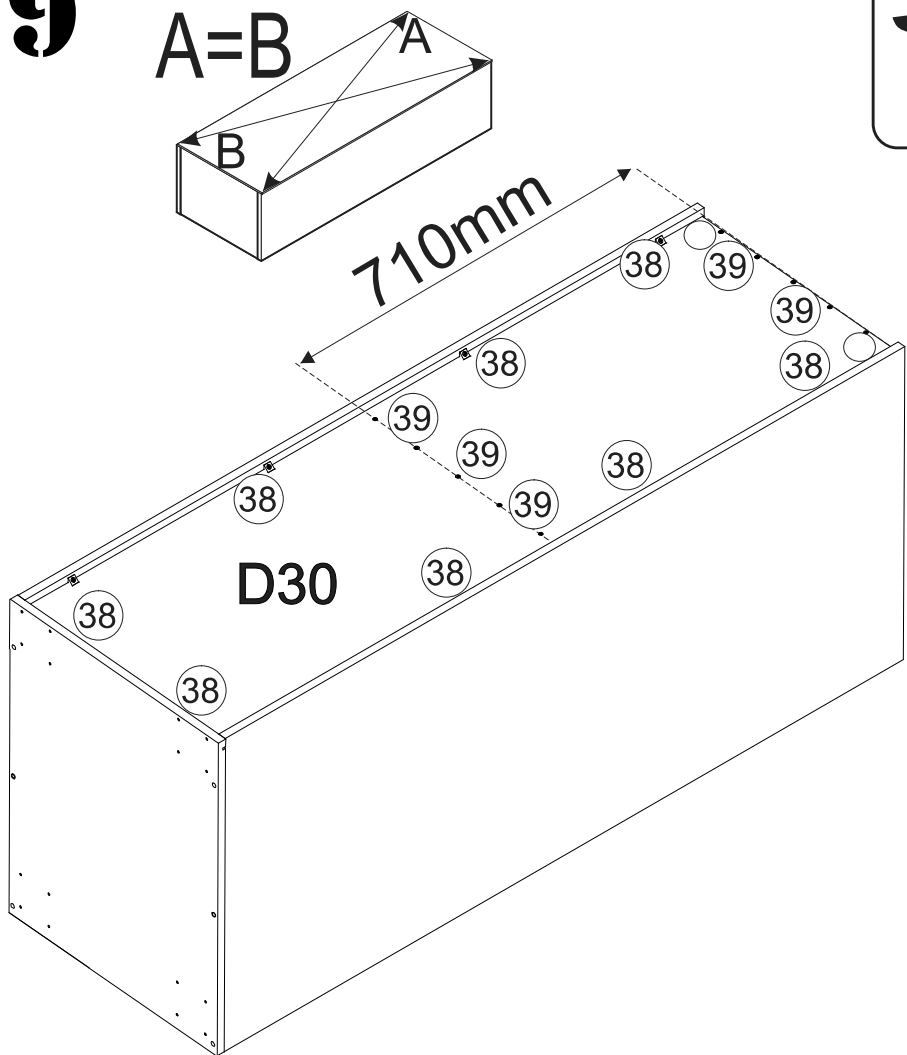
7

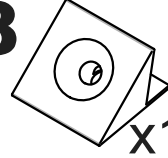


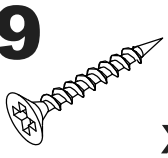
8

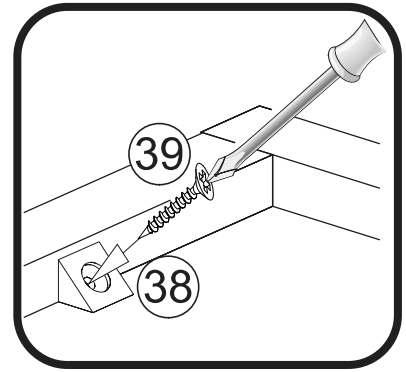
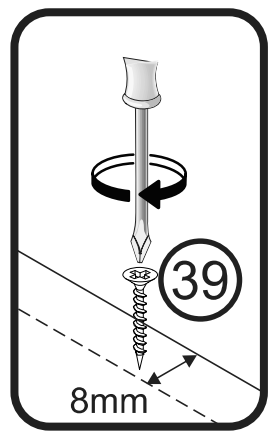
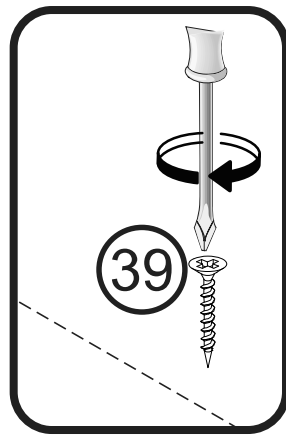


9

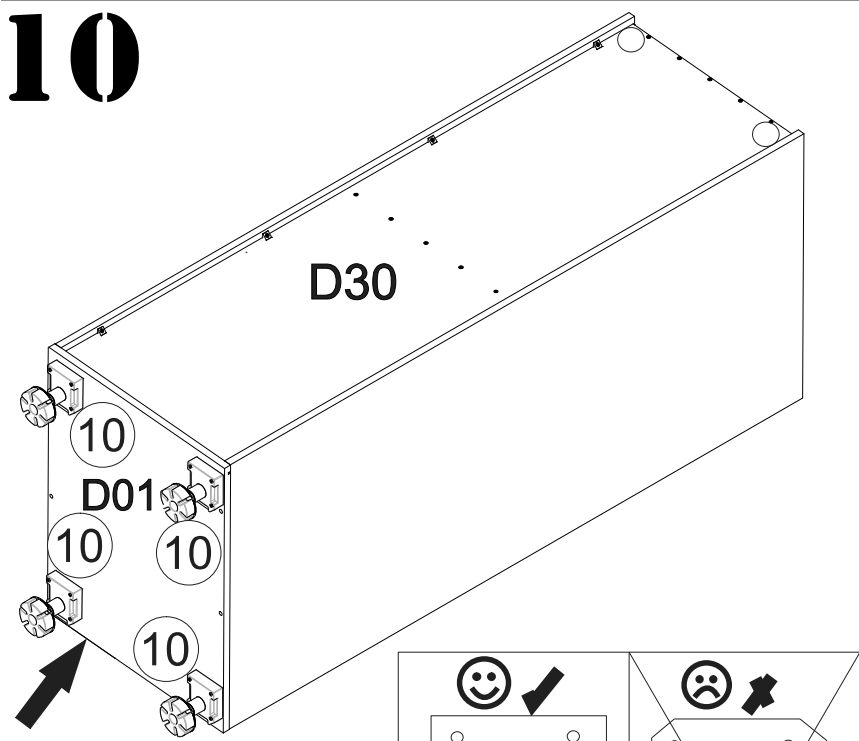


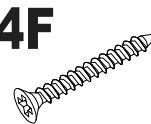
38  x10

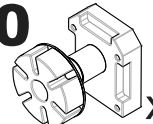
39  3x20
x20

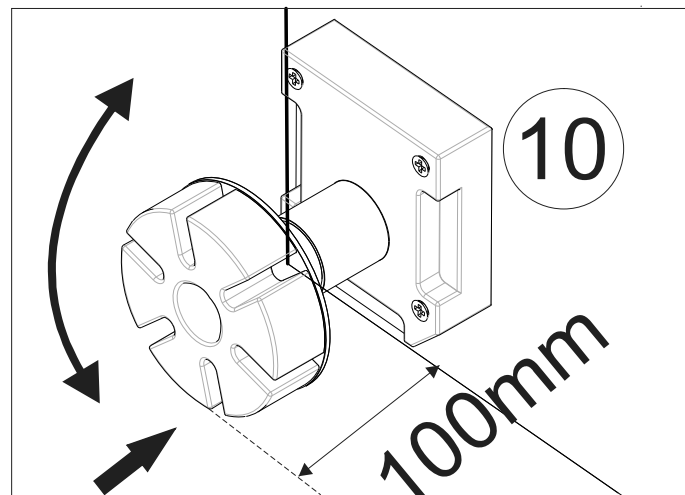
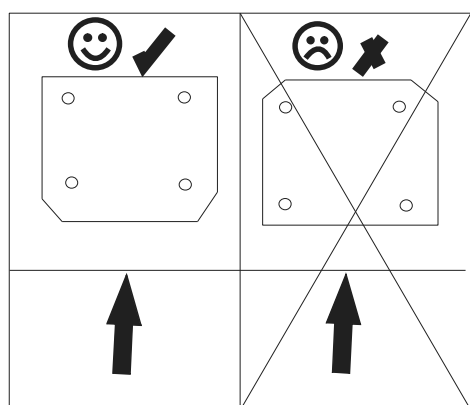
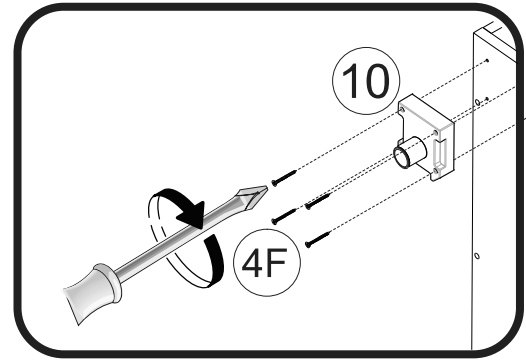


10

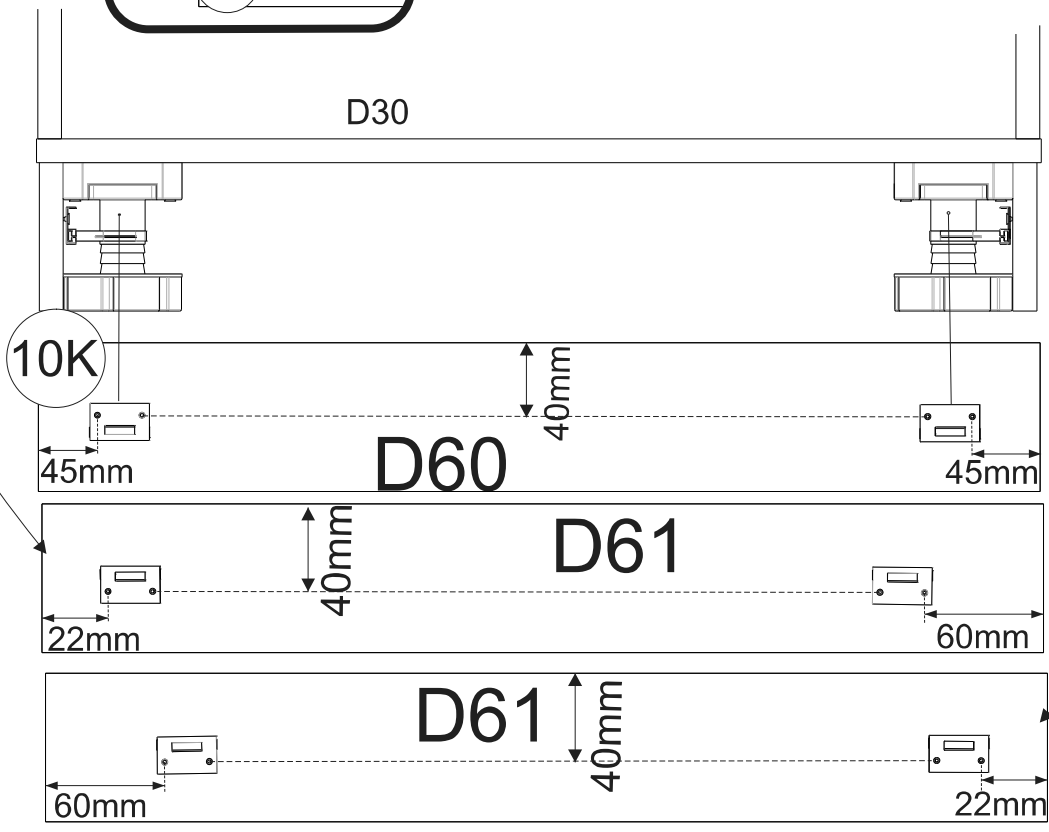
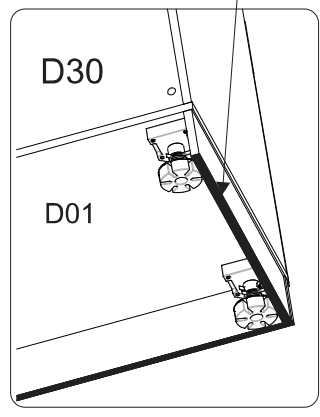
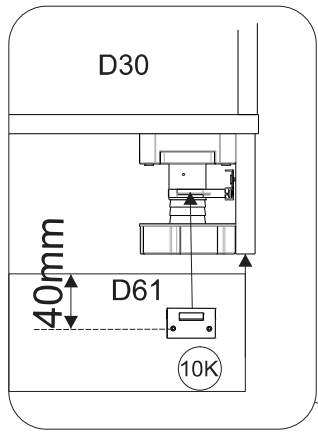
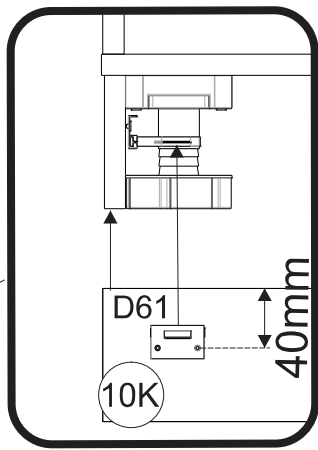
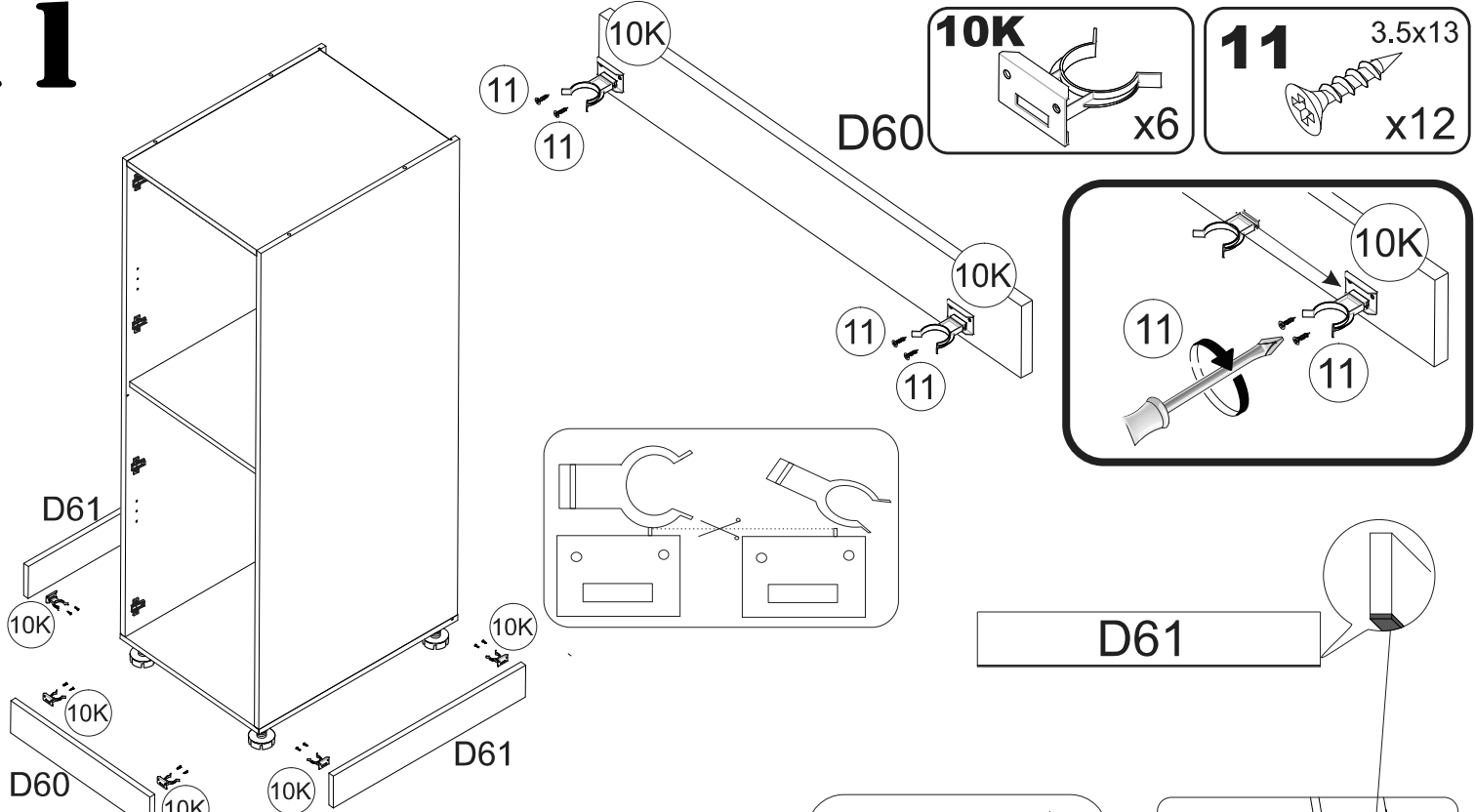


4F  4x35
x16

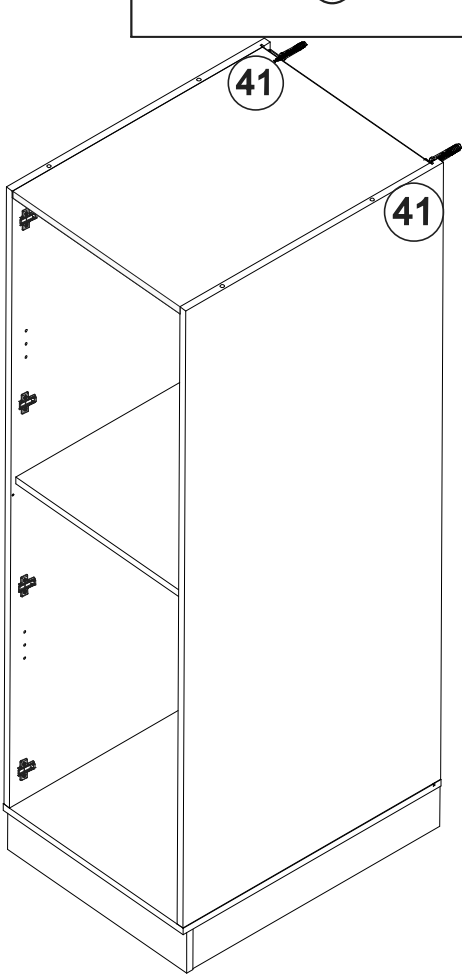
10  x4



11



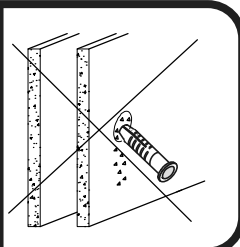
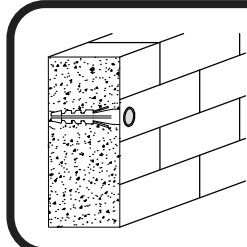
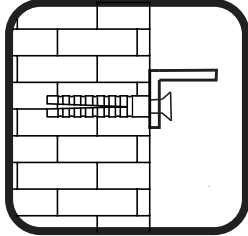
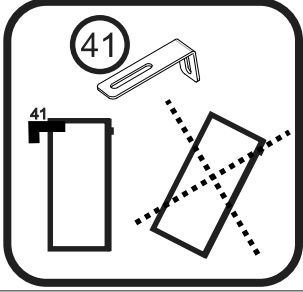
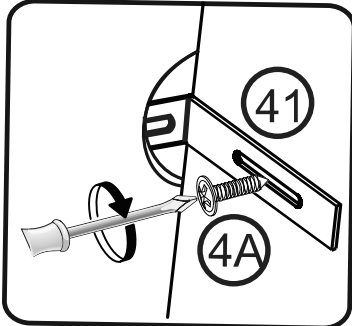
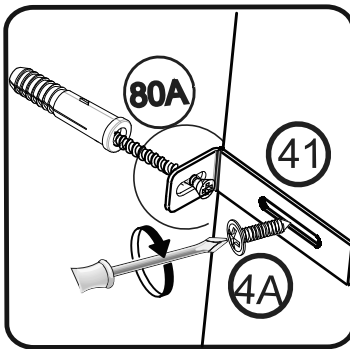
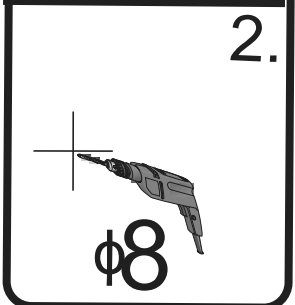
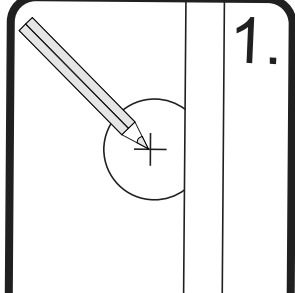
12



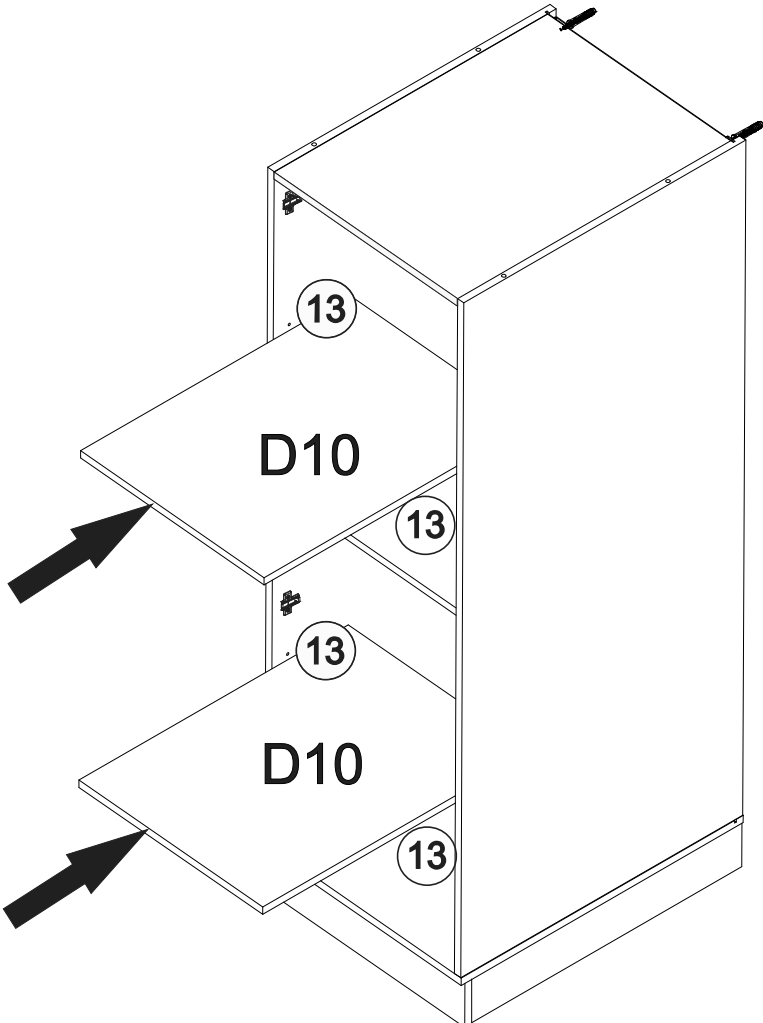
4A 4x16
x2

41
x2

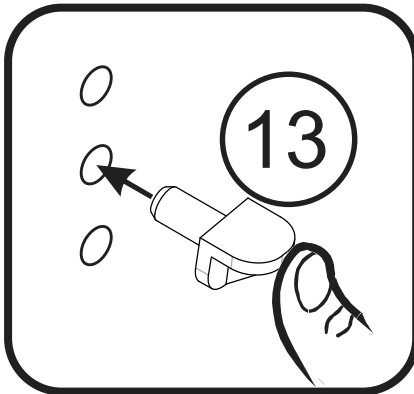
80A
x2



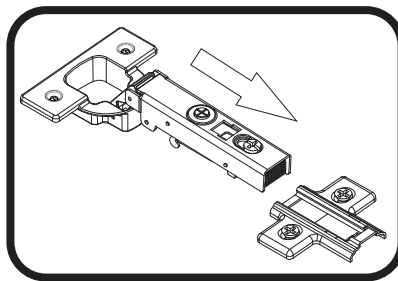
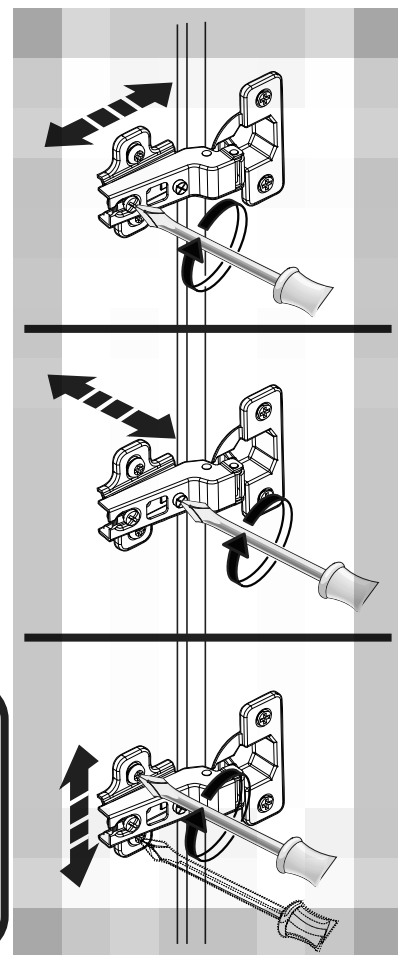
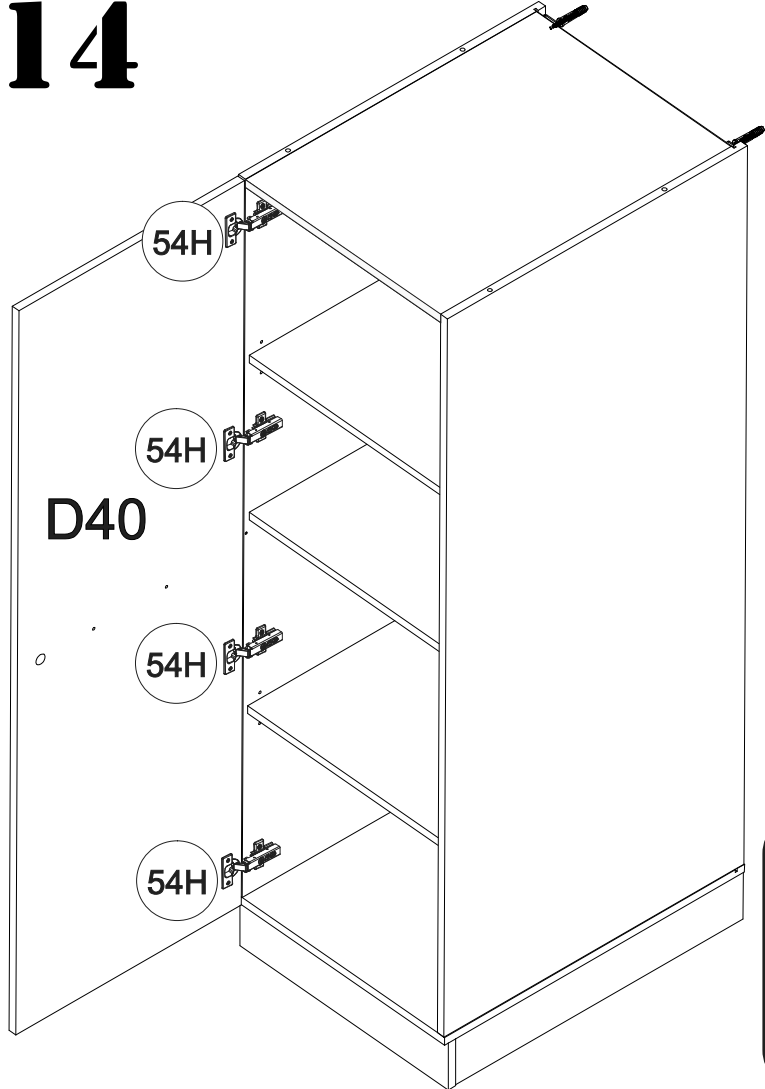
13



13
x8

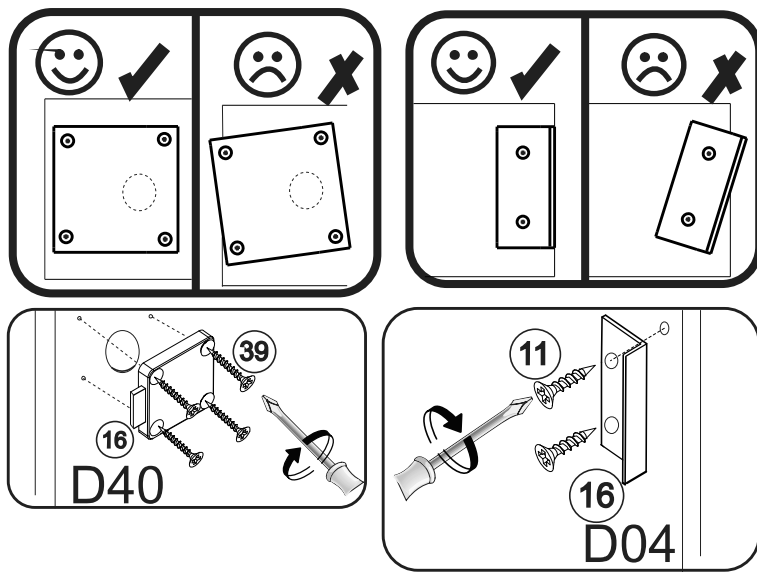
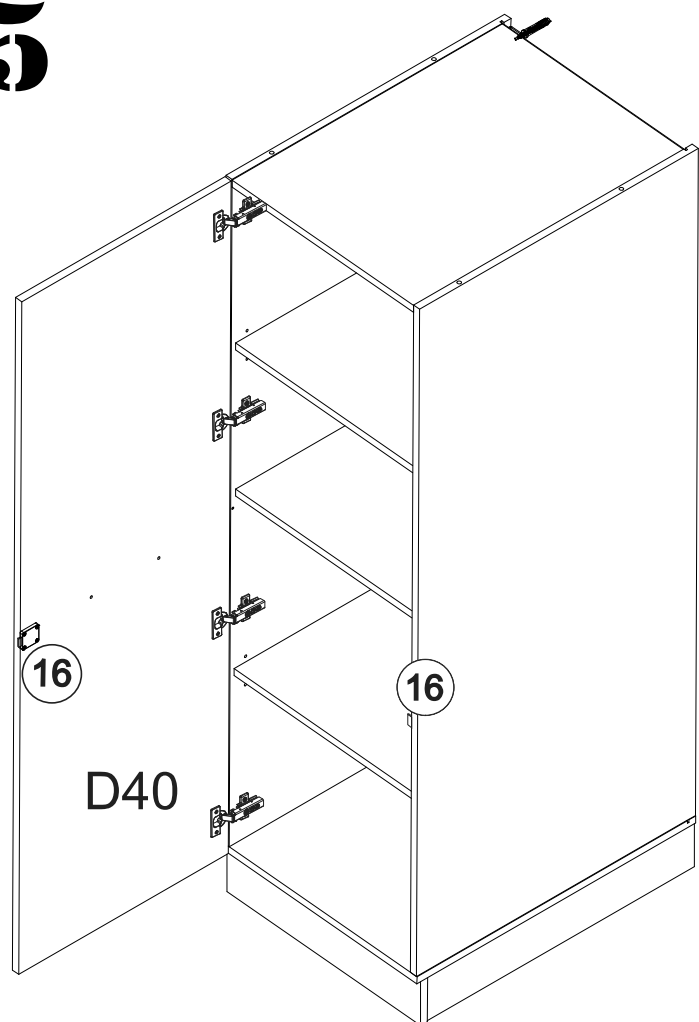


14

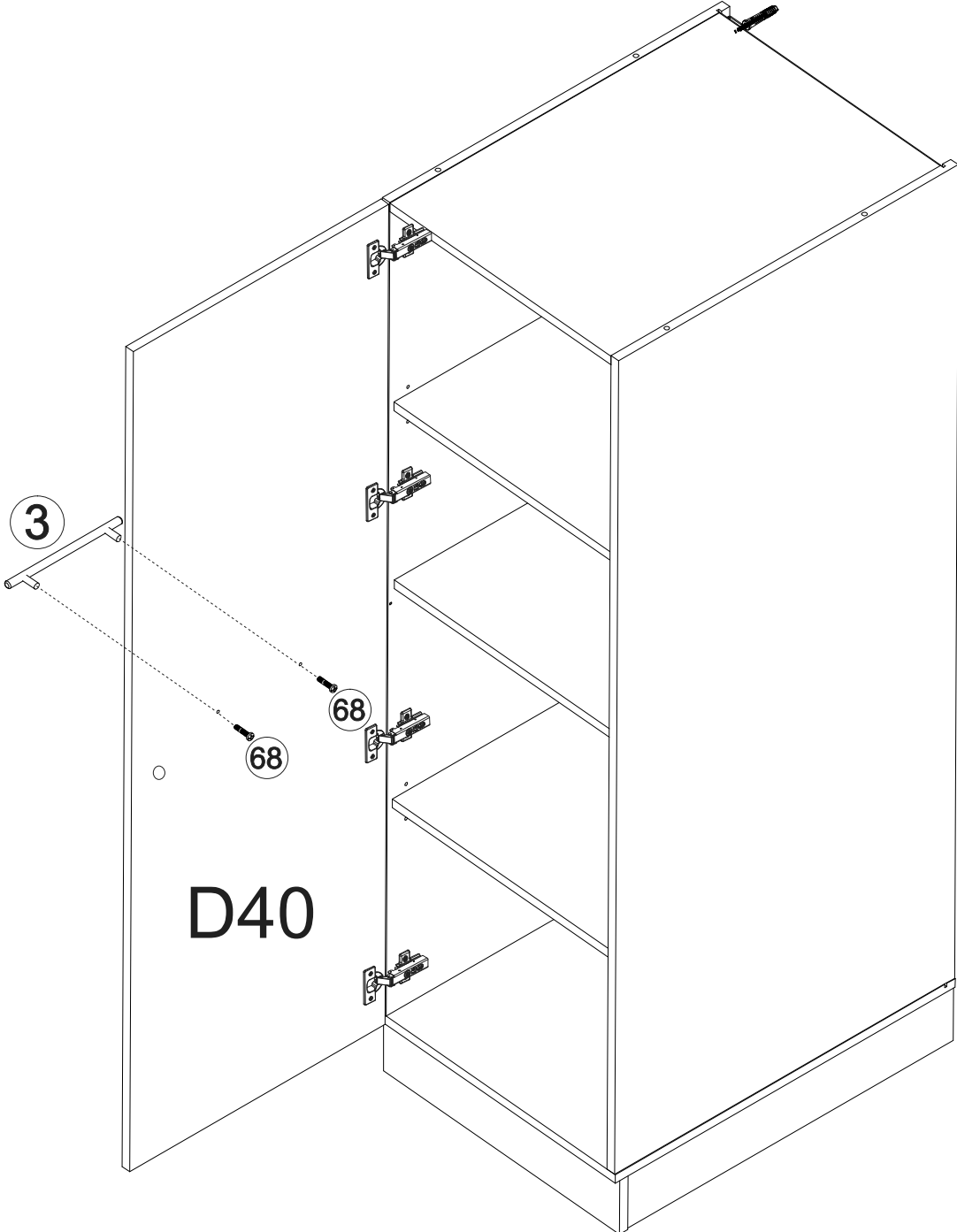
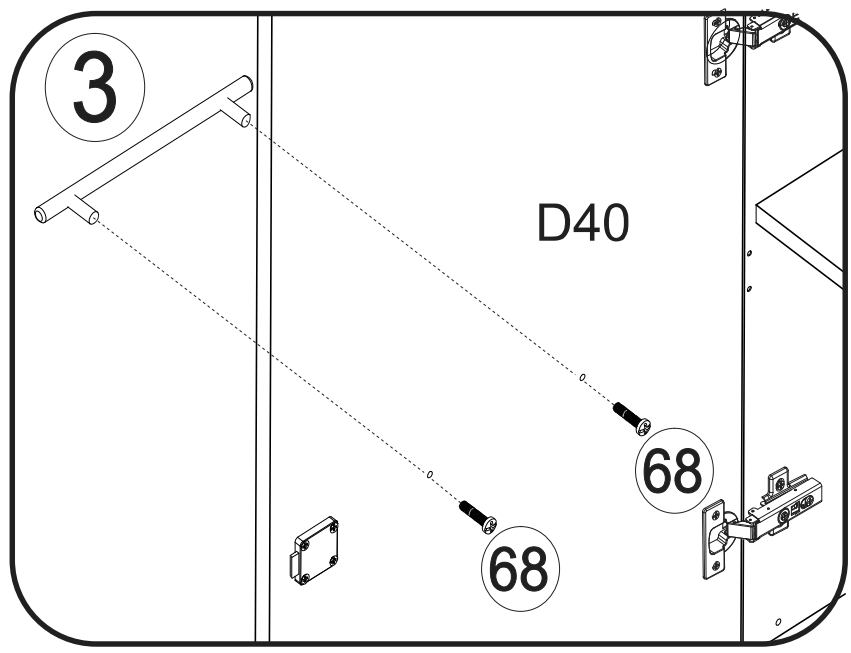
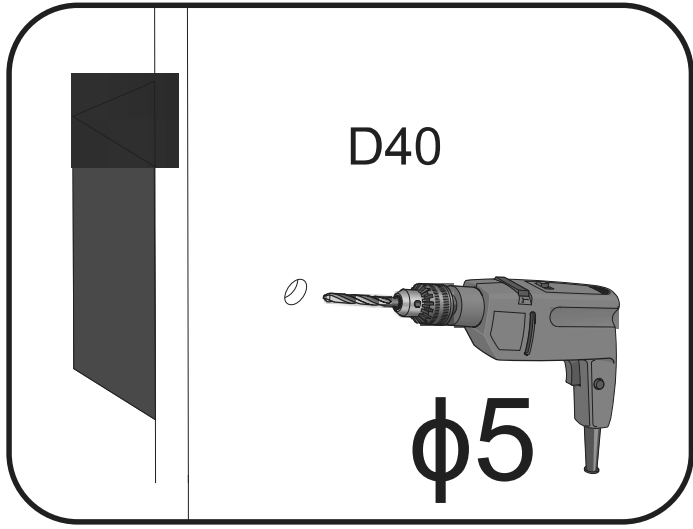
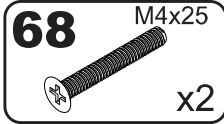
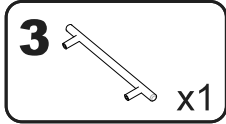


15

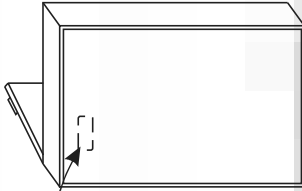
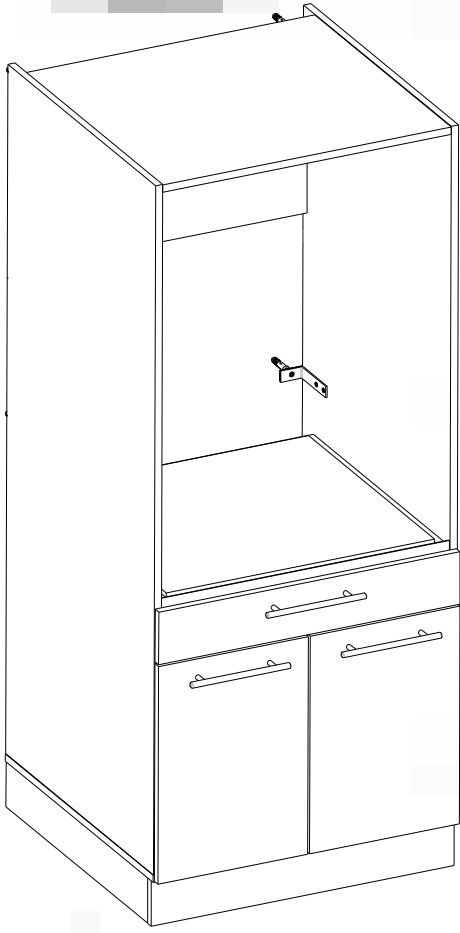
- 11
3.5x13
x2
- 16
x1
- 39
3x20
x4



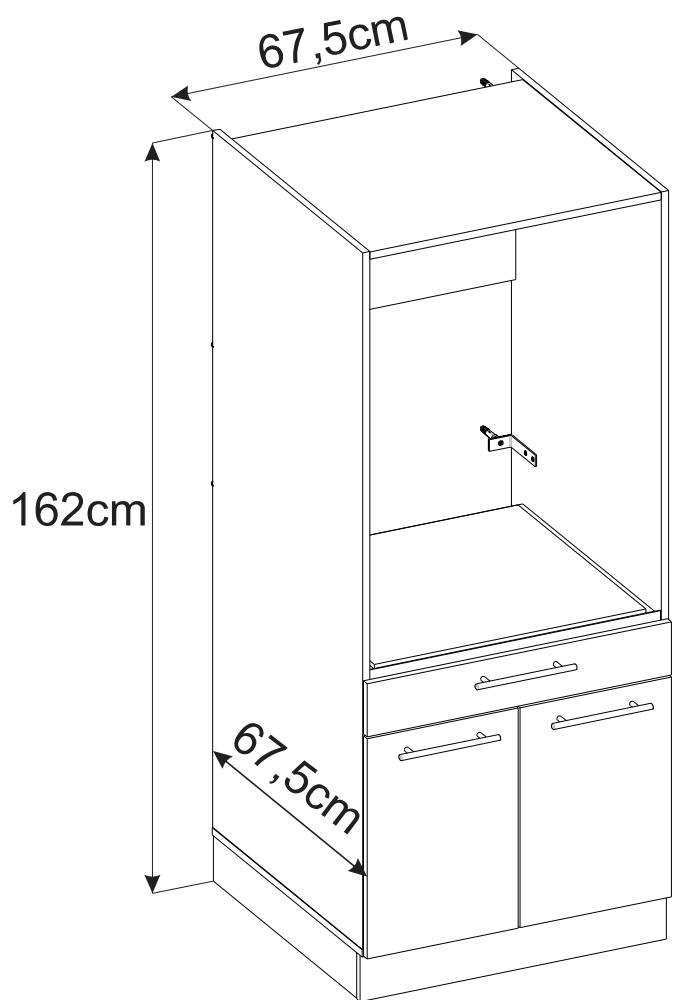
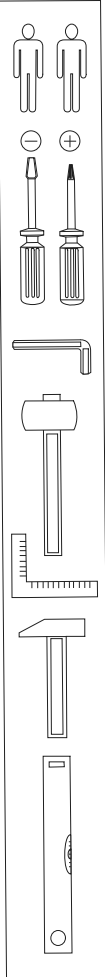
16

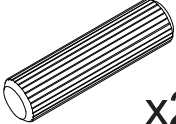
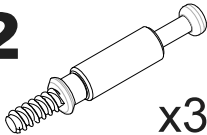
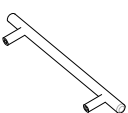
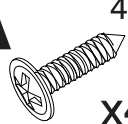

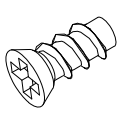

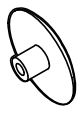
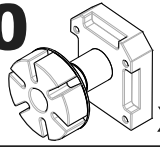
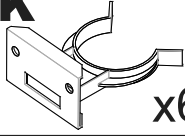


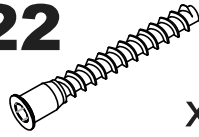

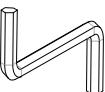
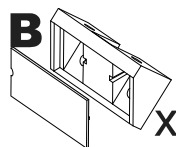
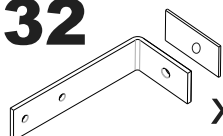
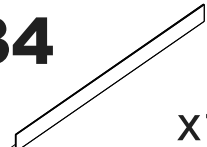
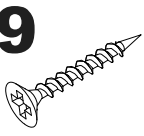
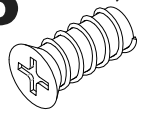
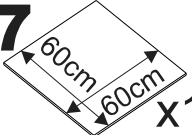
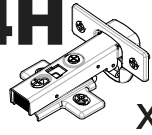
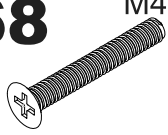

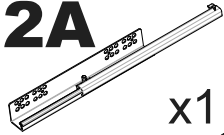
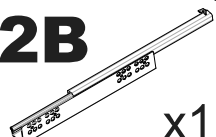


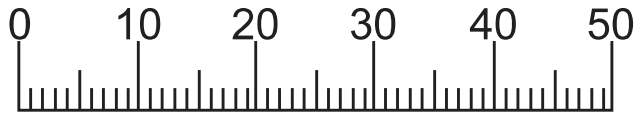
150 min

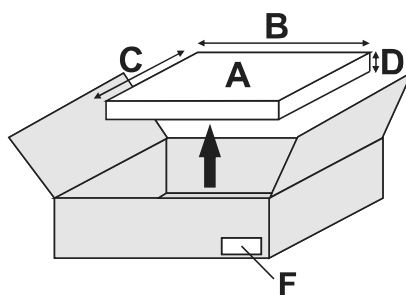
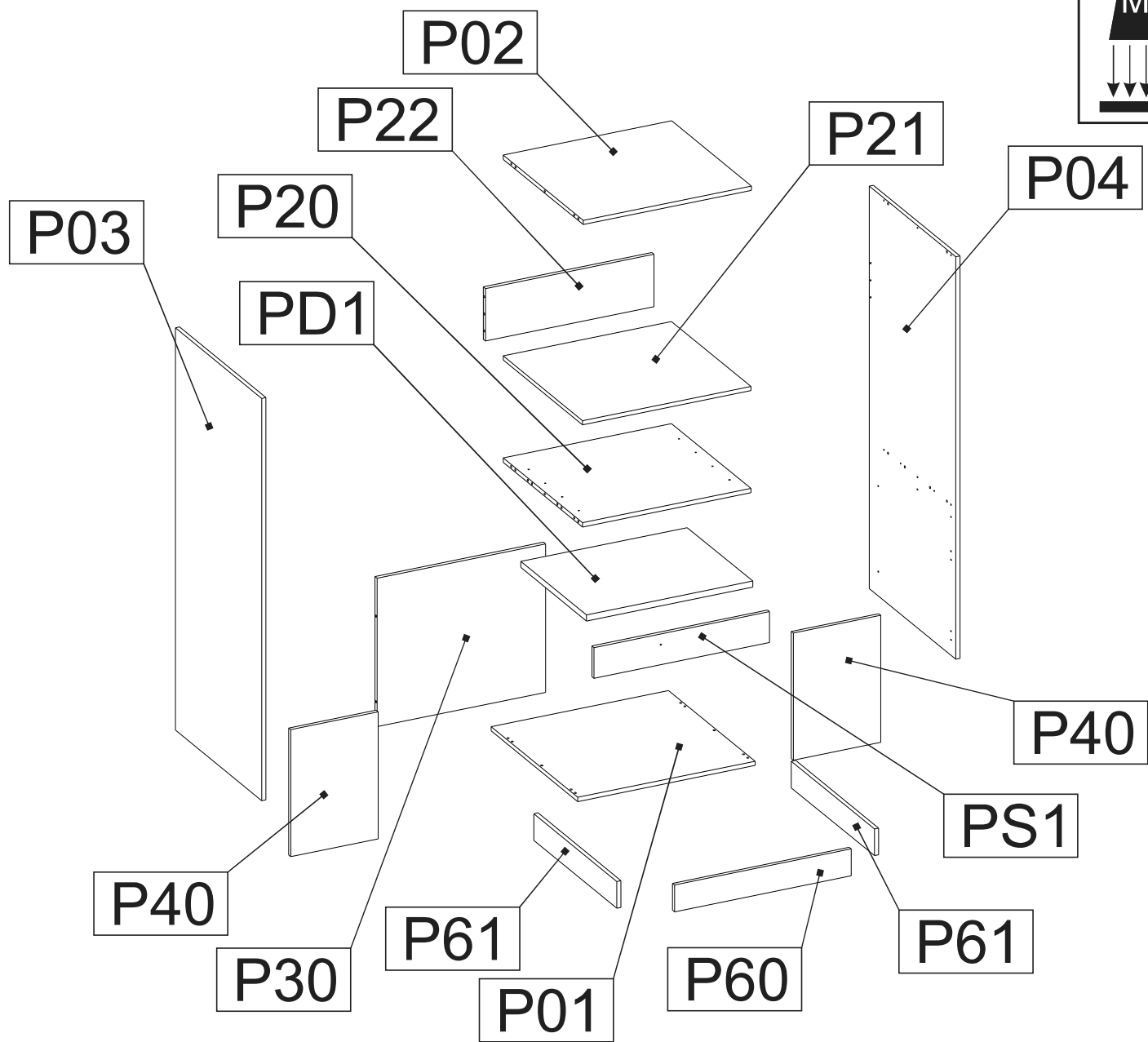
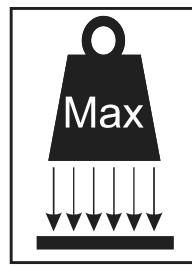


XXXXXXXXXX serie: xxx
.....
Hergestellt für:
.....
.....



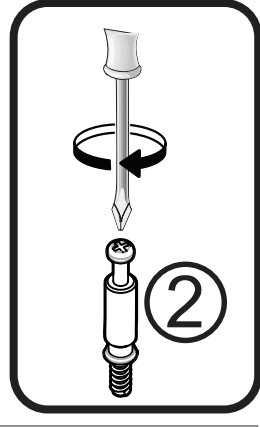
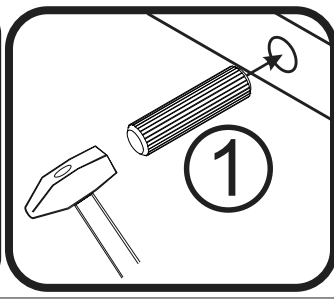
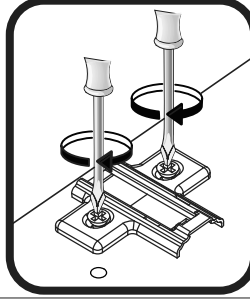
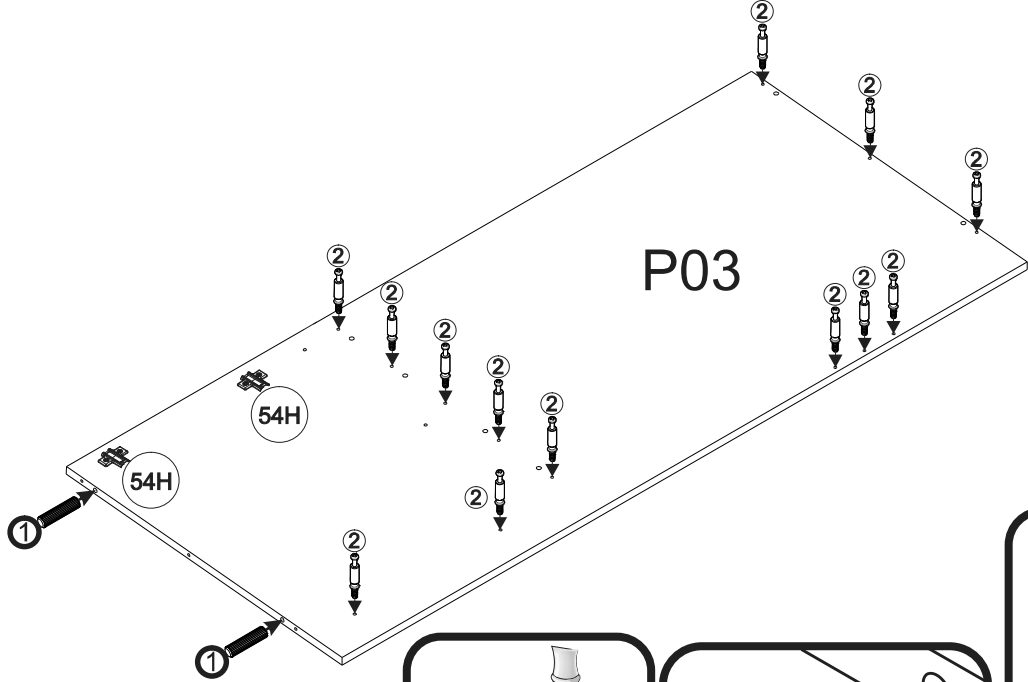
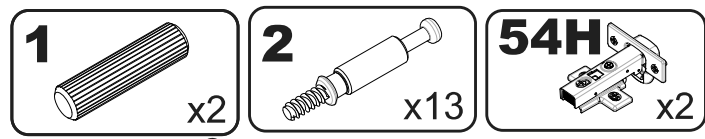
- | | | | | |
|---|---|---|--|--|
| 1  x20 | 2  x31 | 3  x3 | 4A  4x16 x40 | 4F  4x35 x16 |
| 6  5x11 x8 | 9  ø15 x31 | 9A  x31 | 10  x4 | 10K  x6 |
| 11  3.5x13 x16 | 21  4x30 x16 | 22  x6 | 22A  x6 | 26  x1 |
| 31B  x8 | 32  x4 | 34  x1 | 39  3x20 x4 | 45  6,3x13 x4 |
| 47  60cm 60cm x1 | 54H  x4 | 68  M4x25 x6 | 80C  10x80 x4 | 92A  x1 |
| | | | | 92B  x1 |



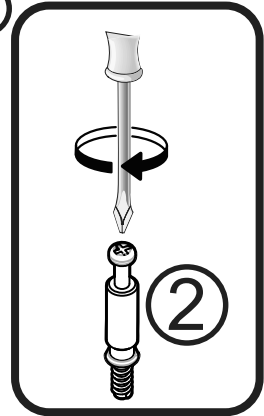
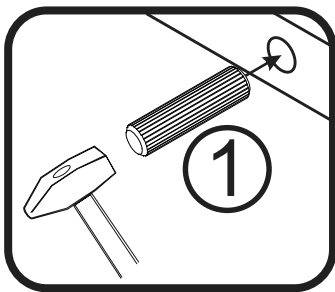
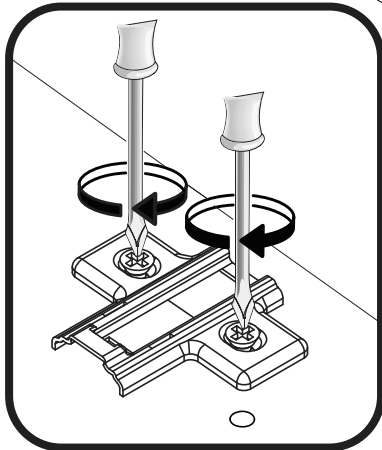
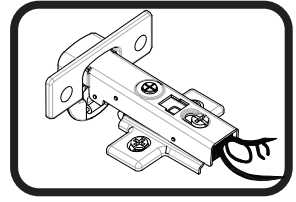
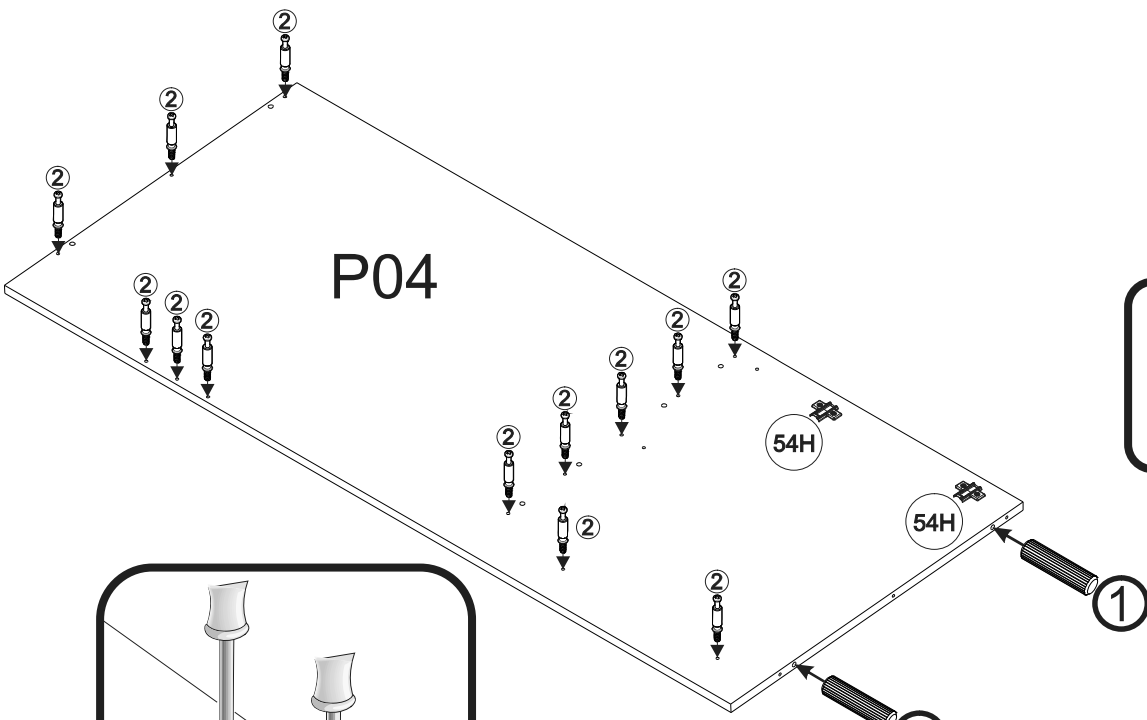
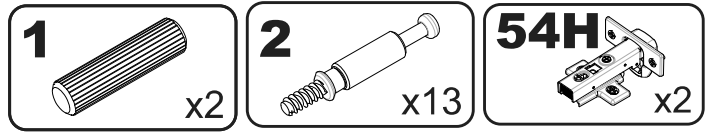


| A | B (mm) | C (mm) | D (mm) | E | F |
|-----|--------|--------|--------|---|-----|
| P01 | 676 | 660 | 16 | 1 | 212 |
| P02 | 642 | 610 | 16 | 1 | 112 |
| P03 | 1504 | 660 | 16 | 1 | 212 |
| P04 | 1504 | 660 | 16 | 1 | 212 |
| P20 | 642 | 586 | 16 | 1 | 112 |
| P21 | 642 | 586 | 16 | 1 | 112 |
| P22 | 642 | 196 | 16 | 1 | 112 |
| P30 | 642 | 555 | 16 | 1 | 112 |
| P40 | 475 | 333 | 16 | 2 | 212 |
| P60 | 674 | 100 | 16 | 1 | 212 |
| P61 | 634 | 100 | 16 | 2 | 112 |
| PD1 | 634 | 500 | 22 | 1 | 112 |
| PS1 | 670 | 115 | 16 | 1 | 212 |

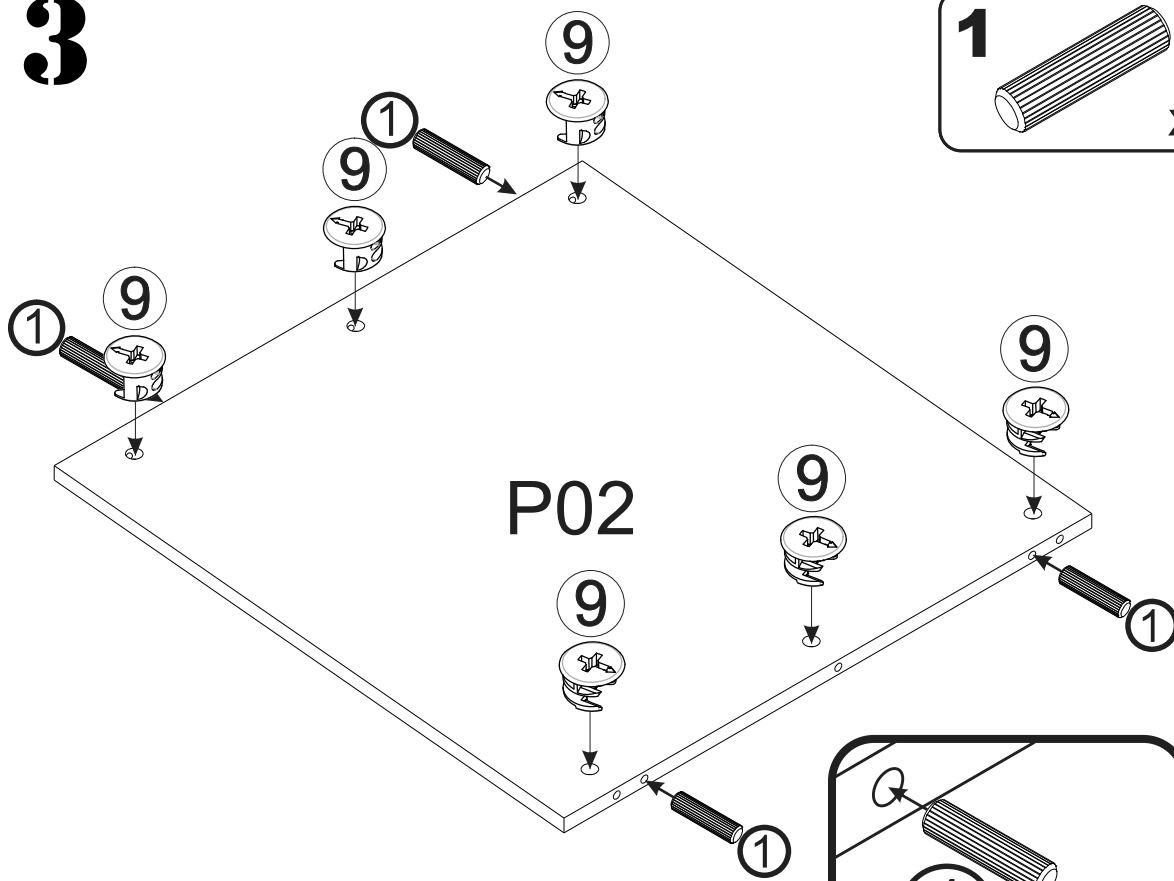
1

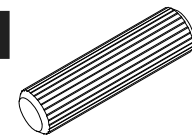


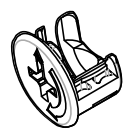
2

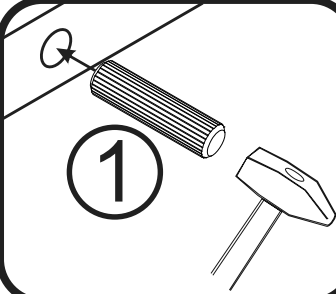


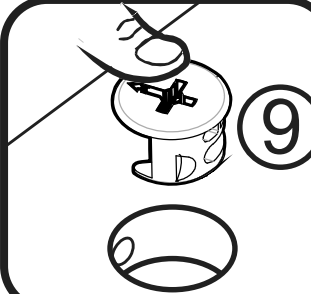
3



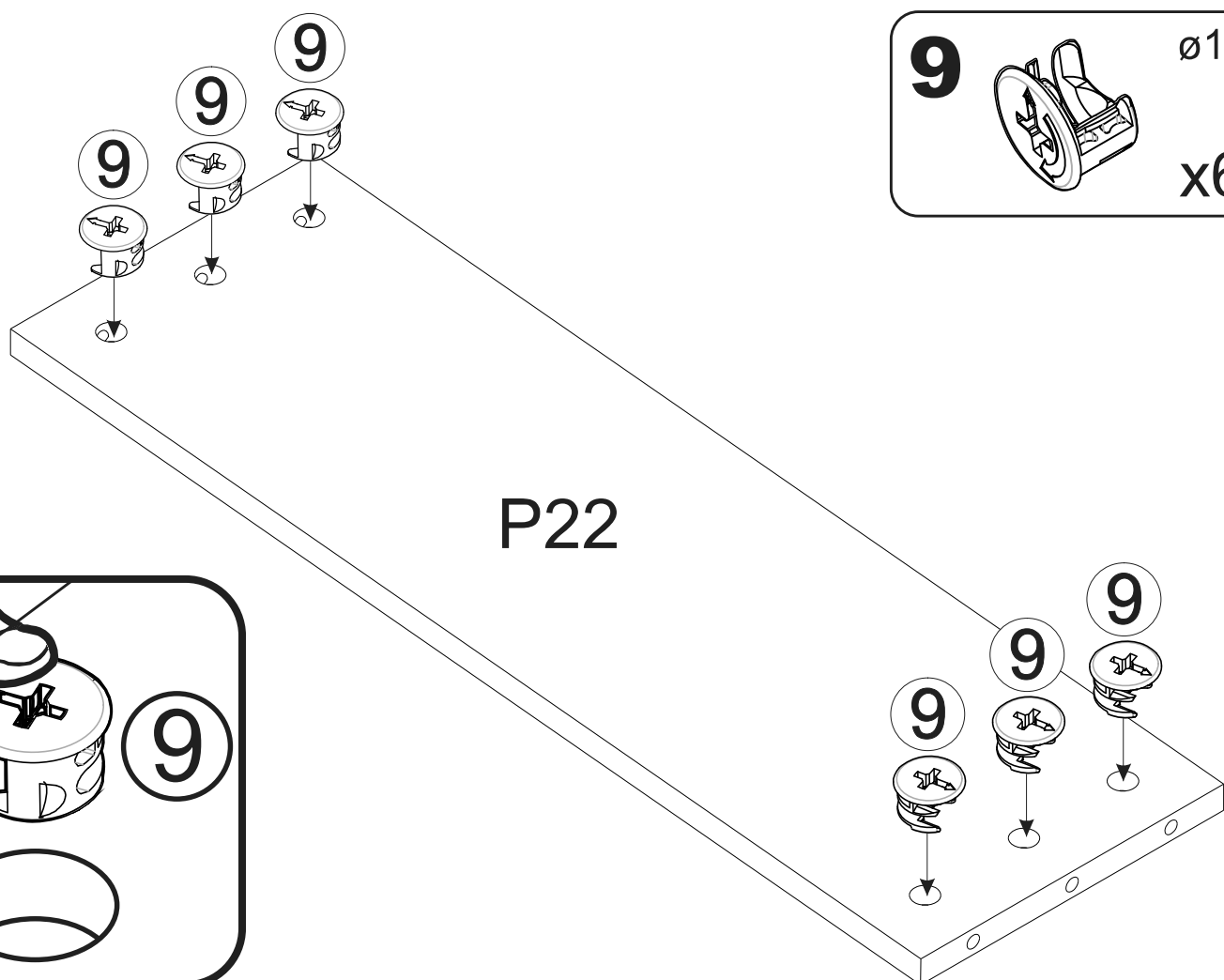
1  x4


9  ø15
x6

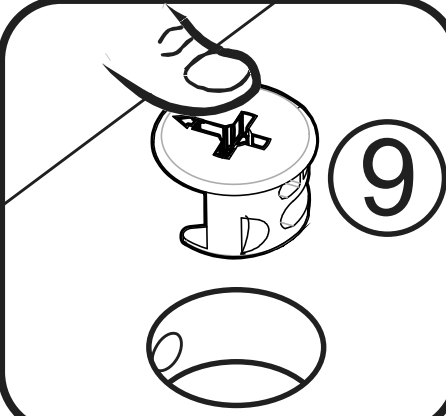
1 

9 

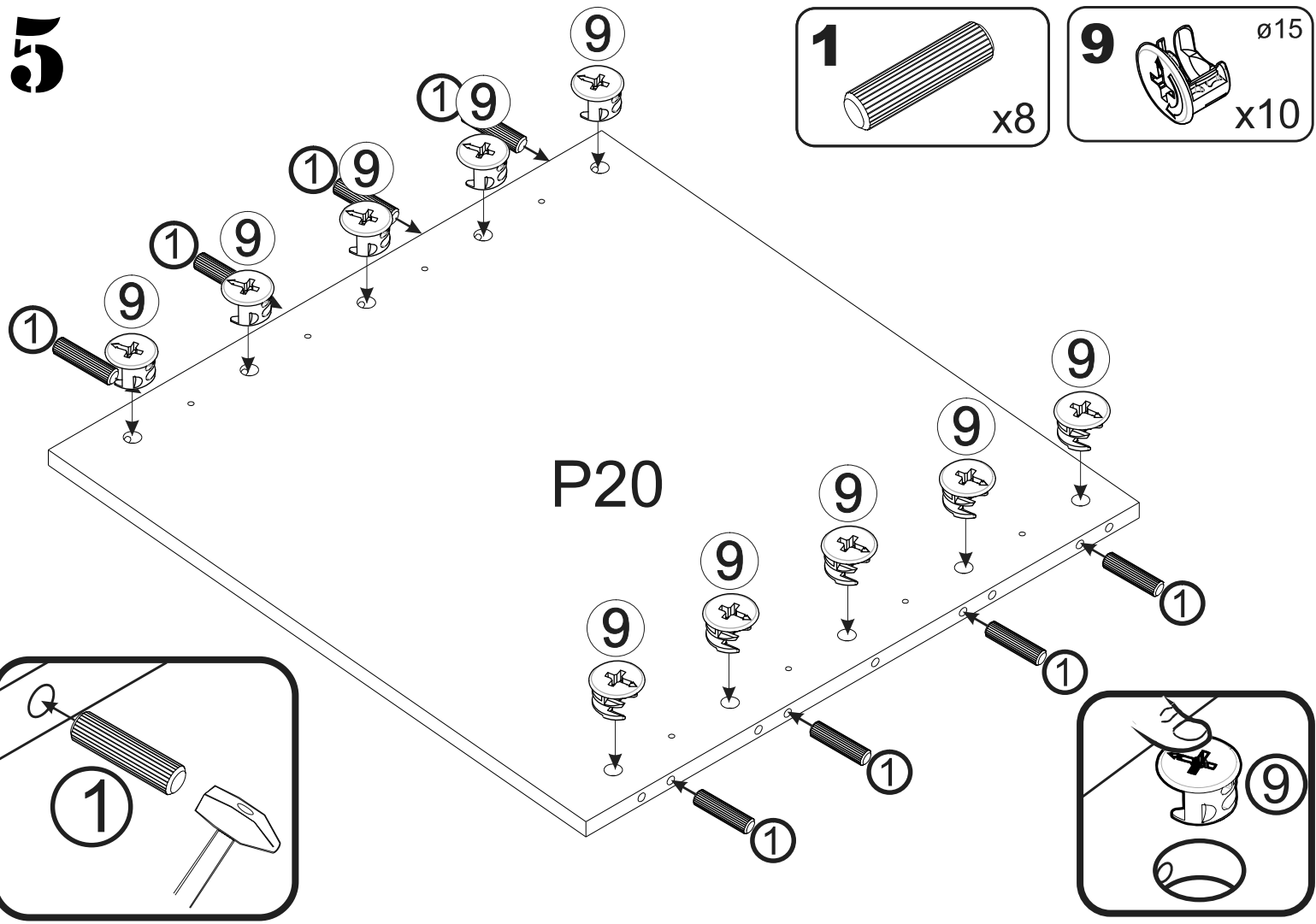
4



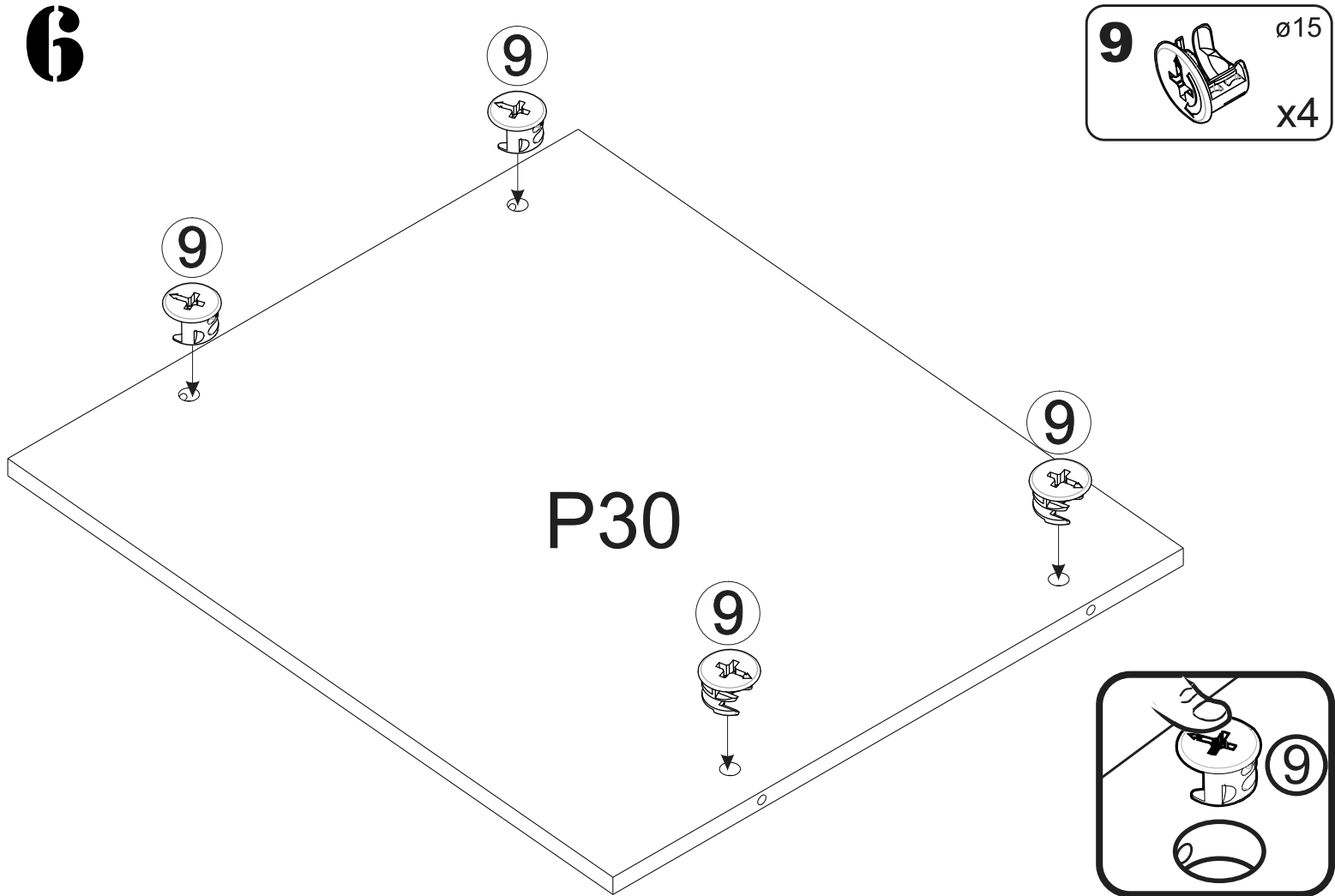
9  ø15
x6

9 

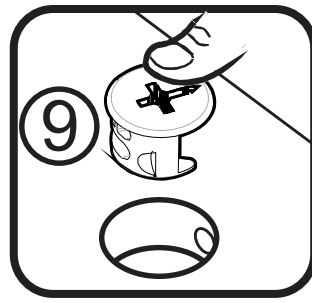
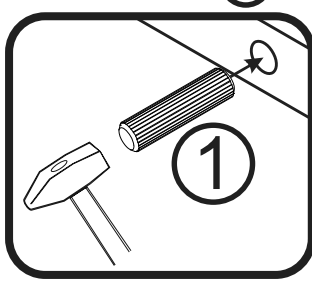
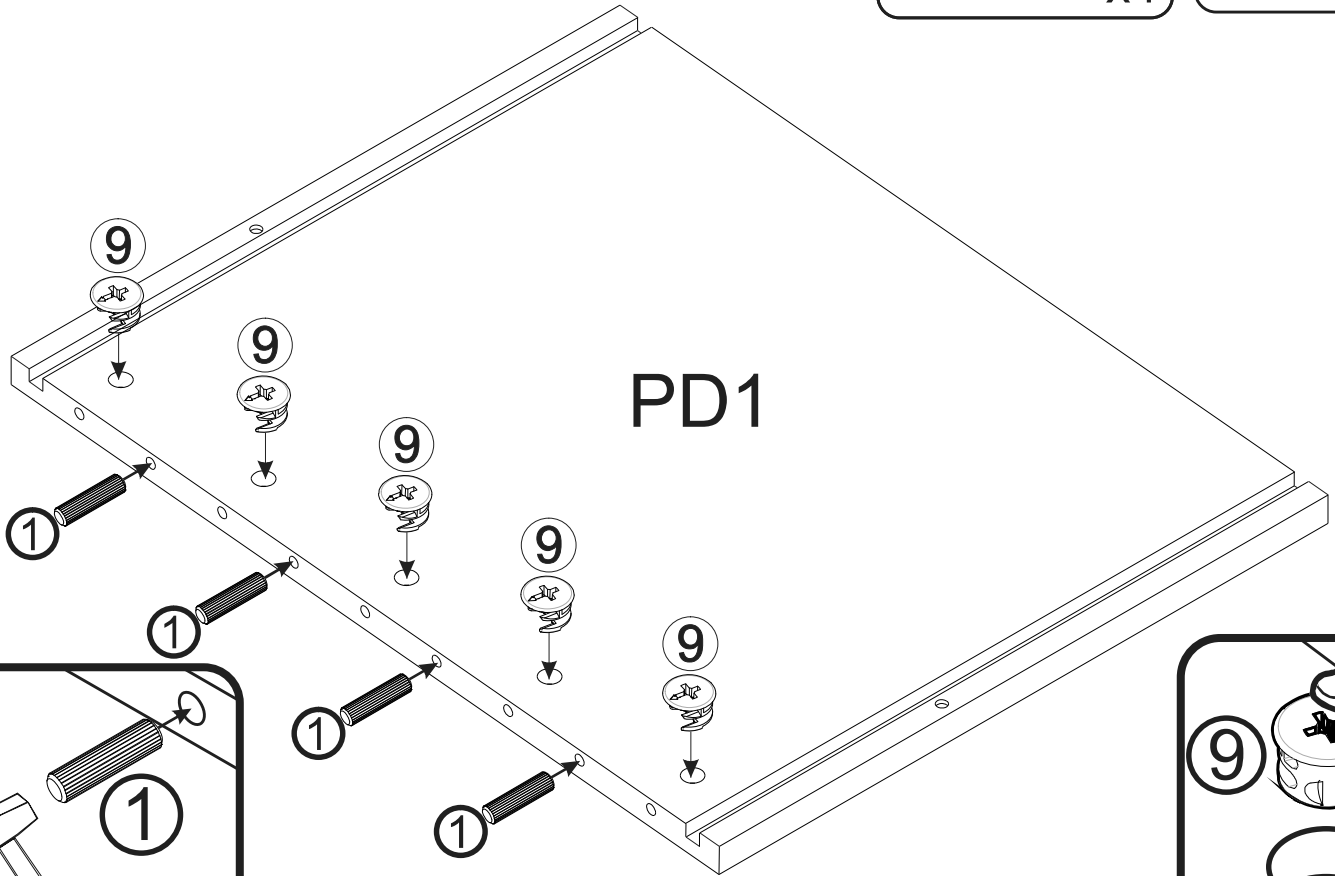
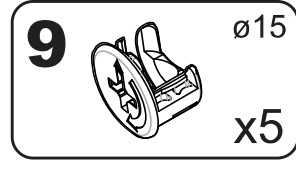
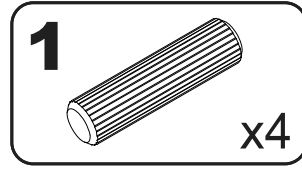
5



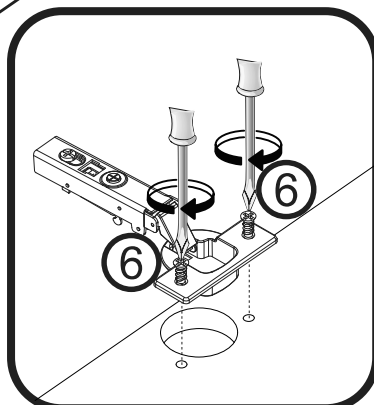
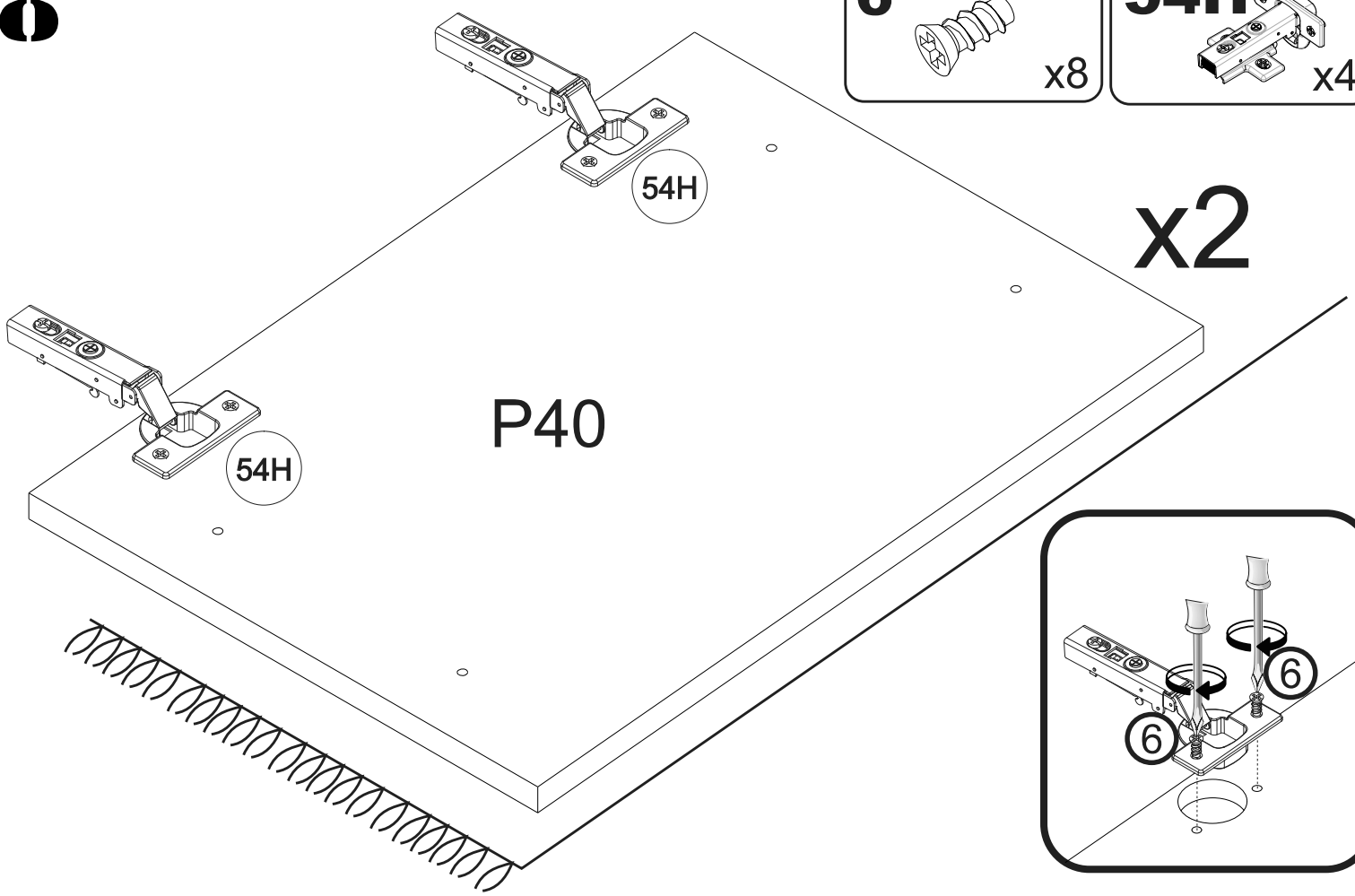
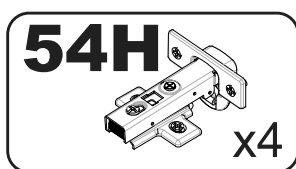
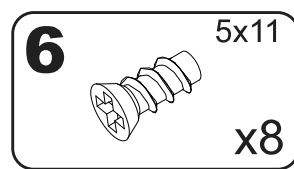
6



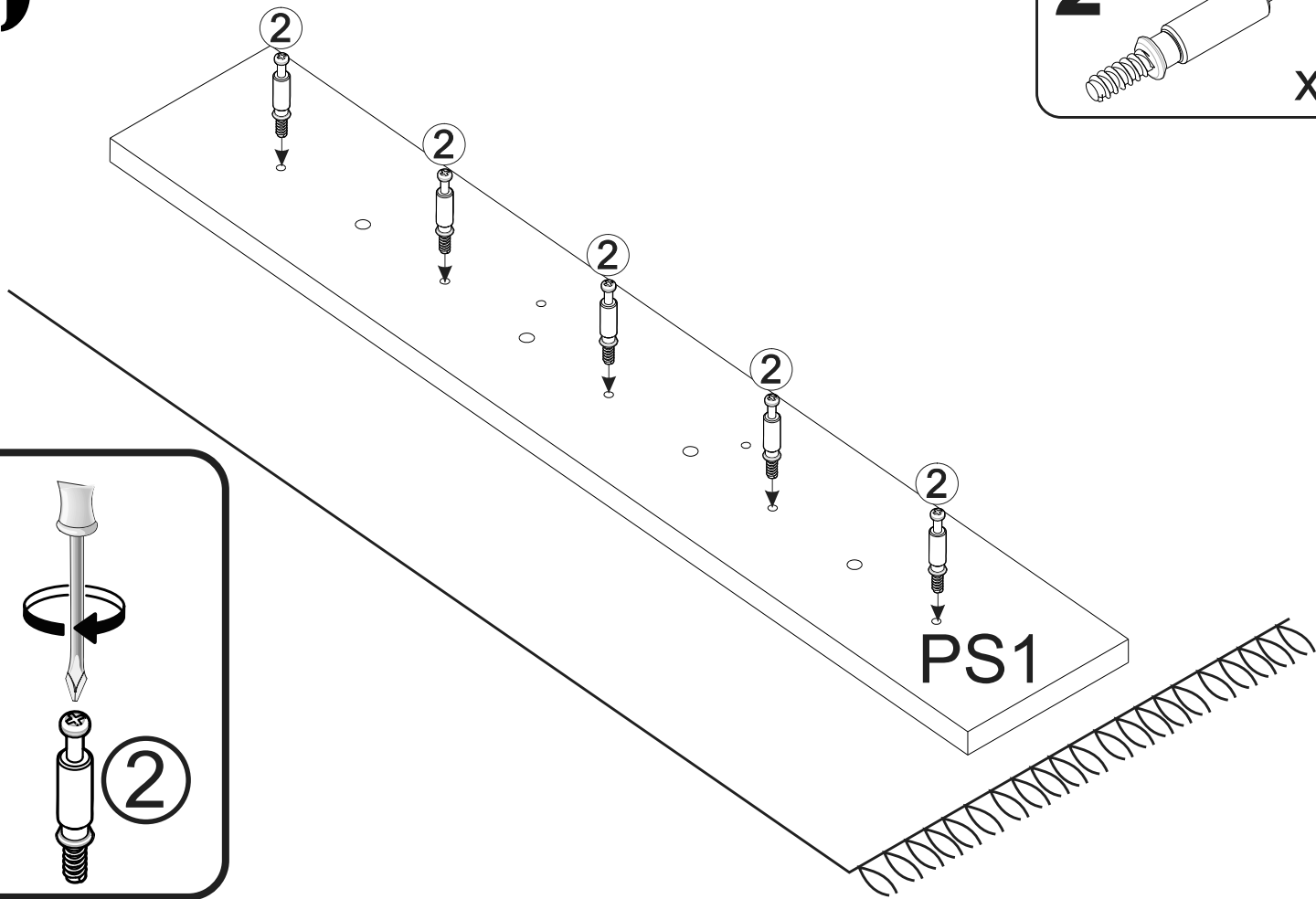
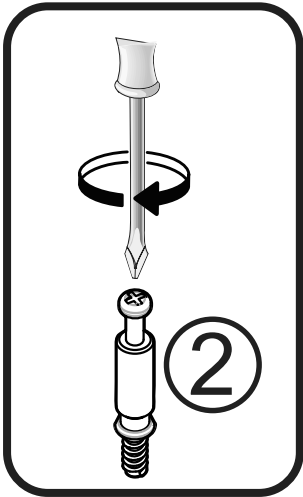
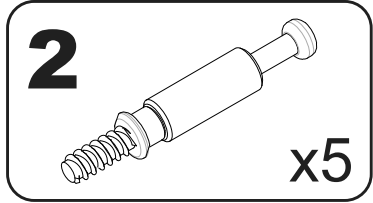
7



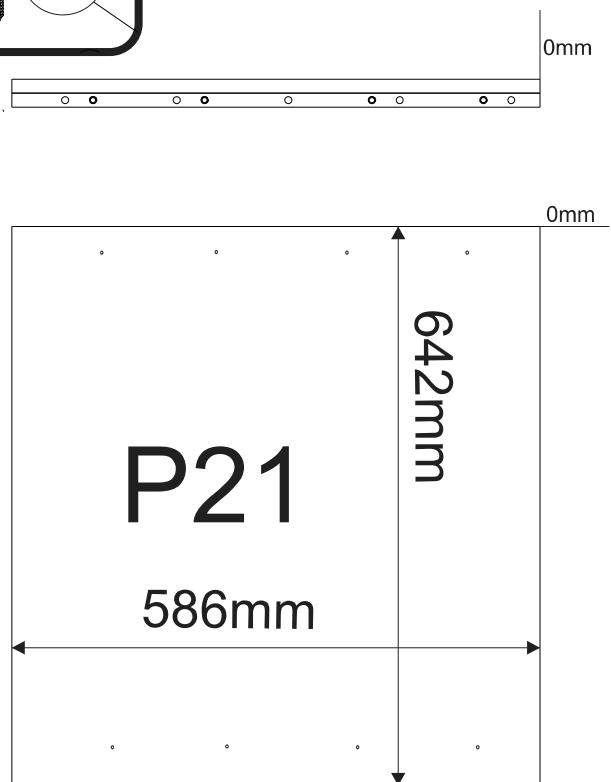
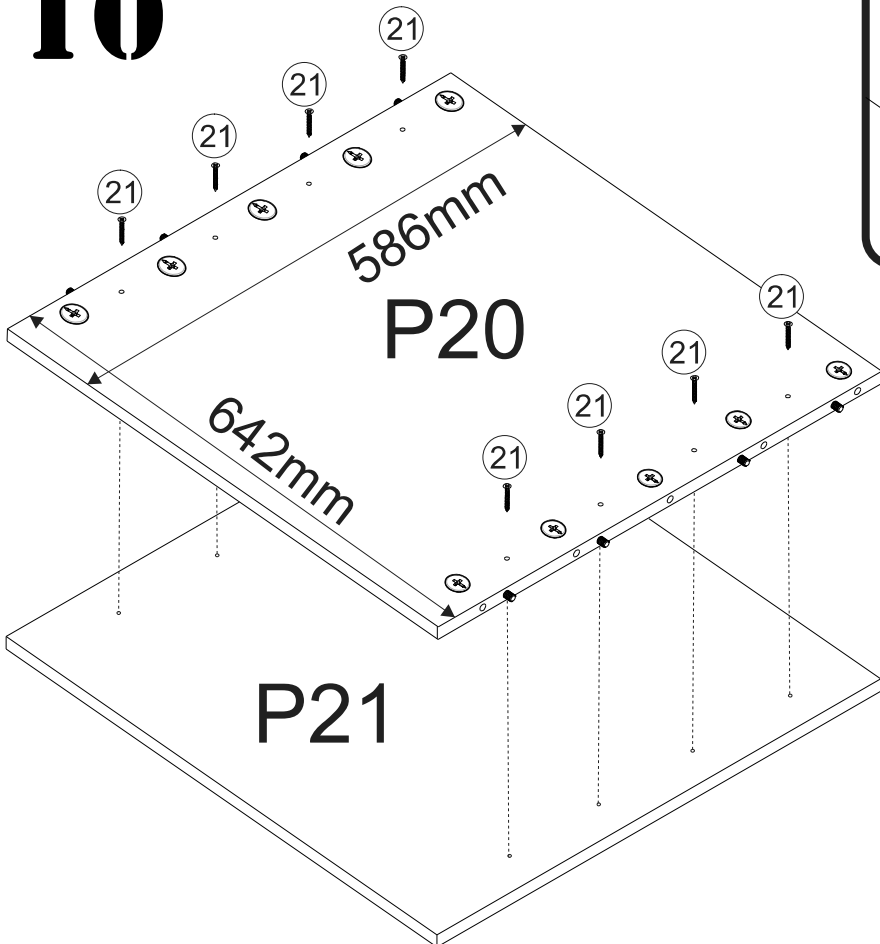
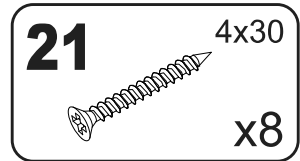
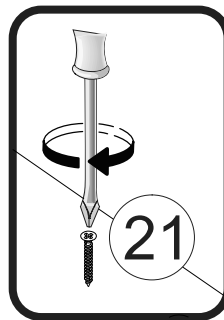
8



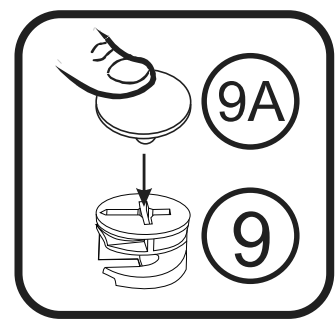
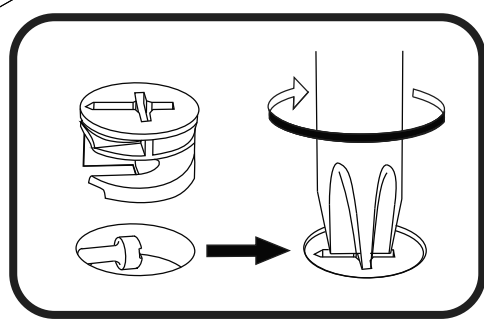
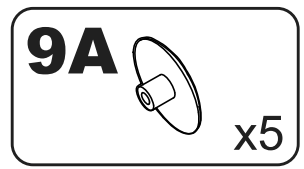
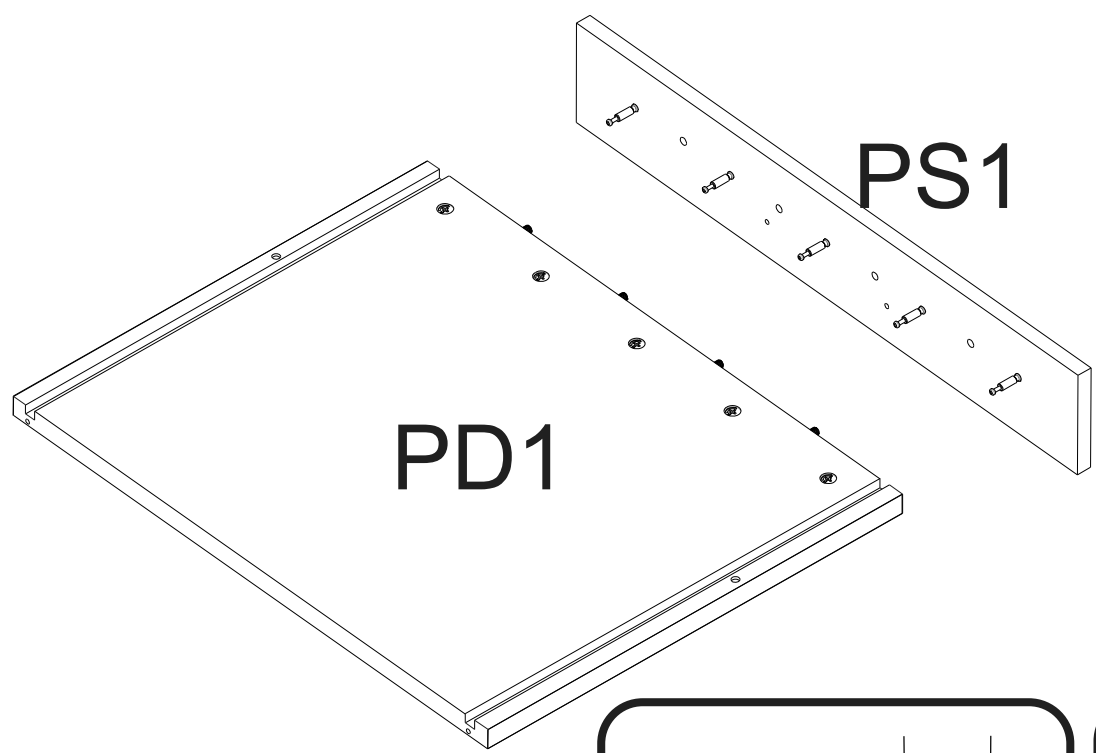
9



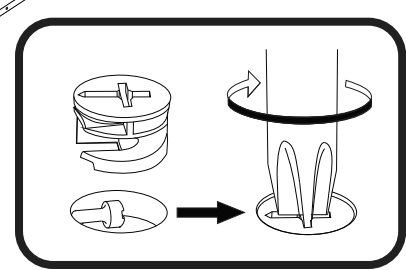
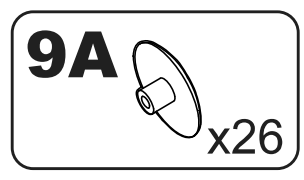
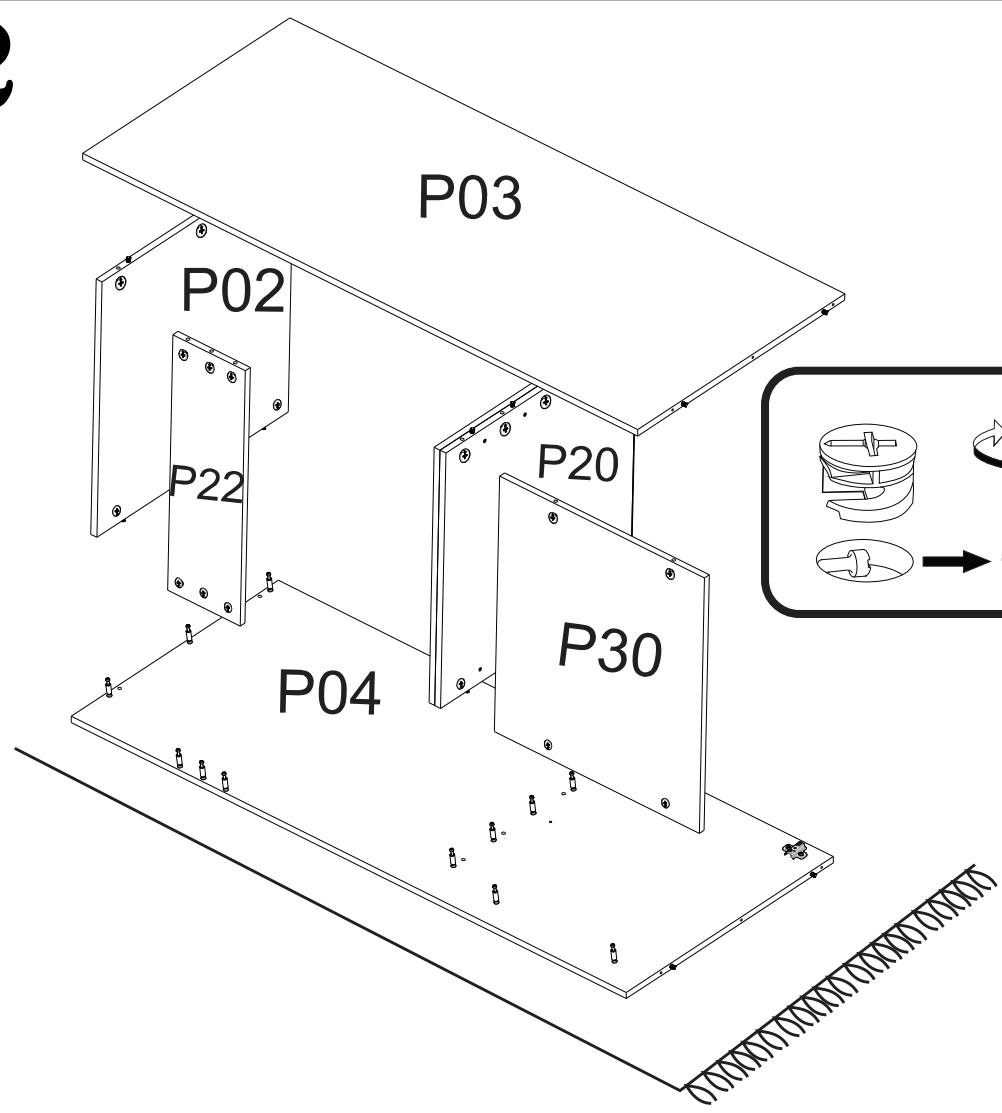
10



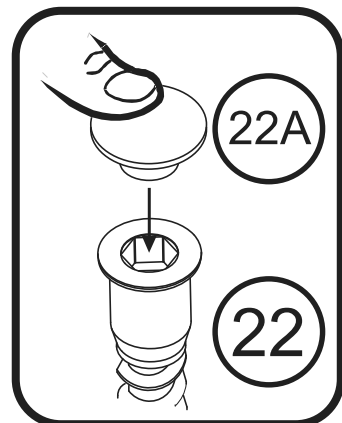
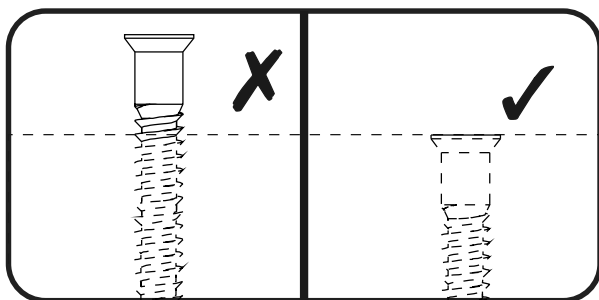
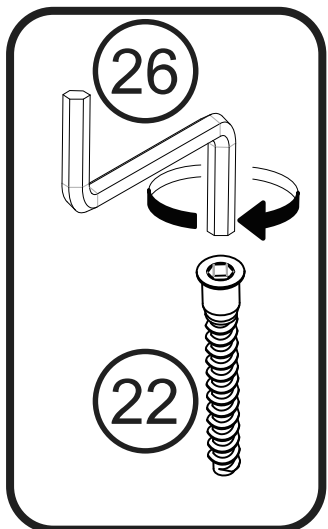
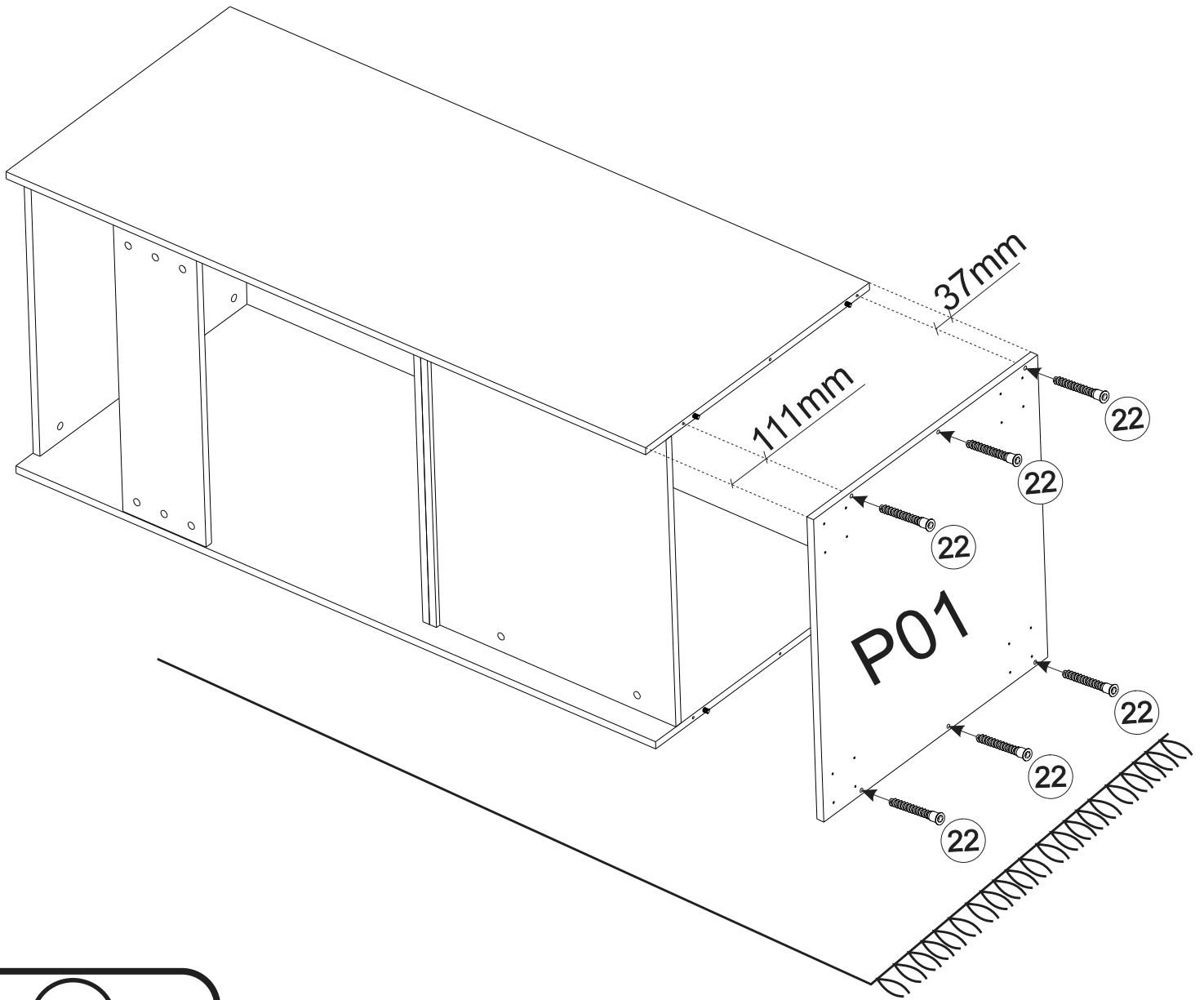
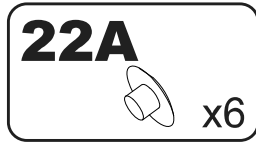
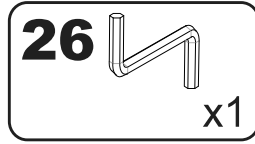
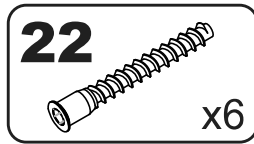
11



12



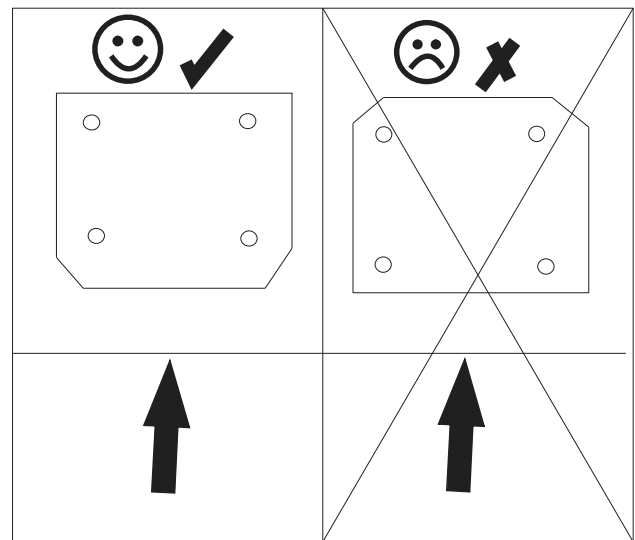
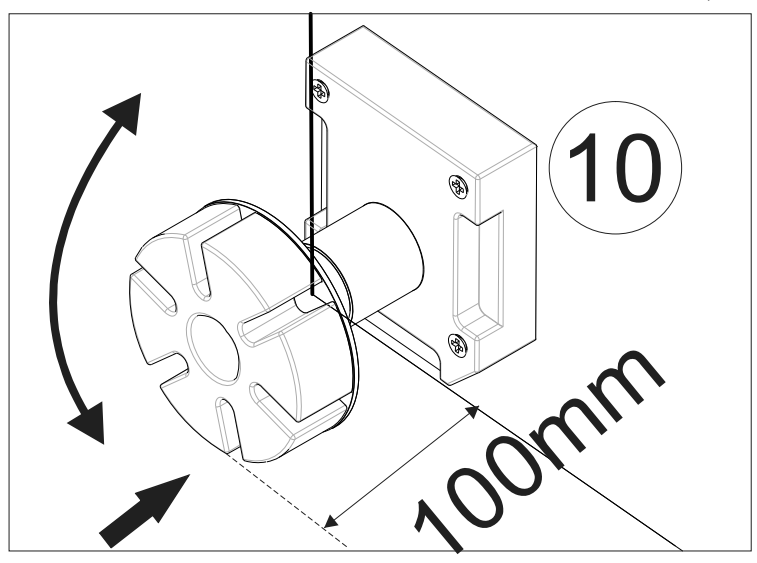
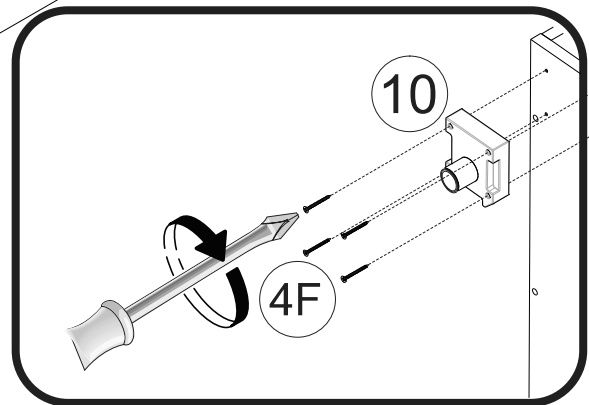
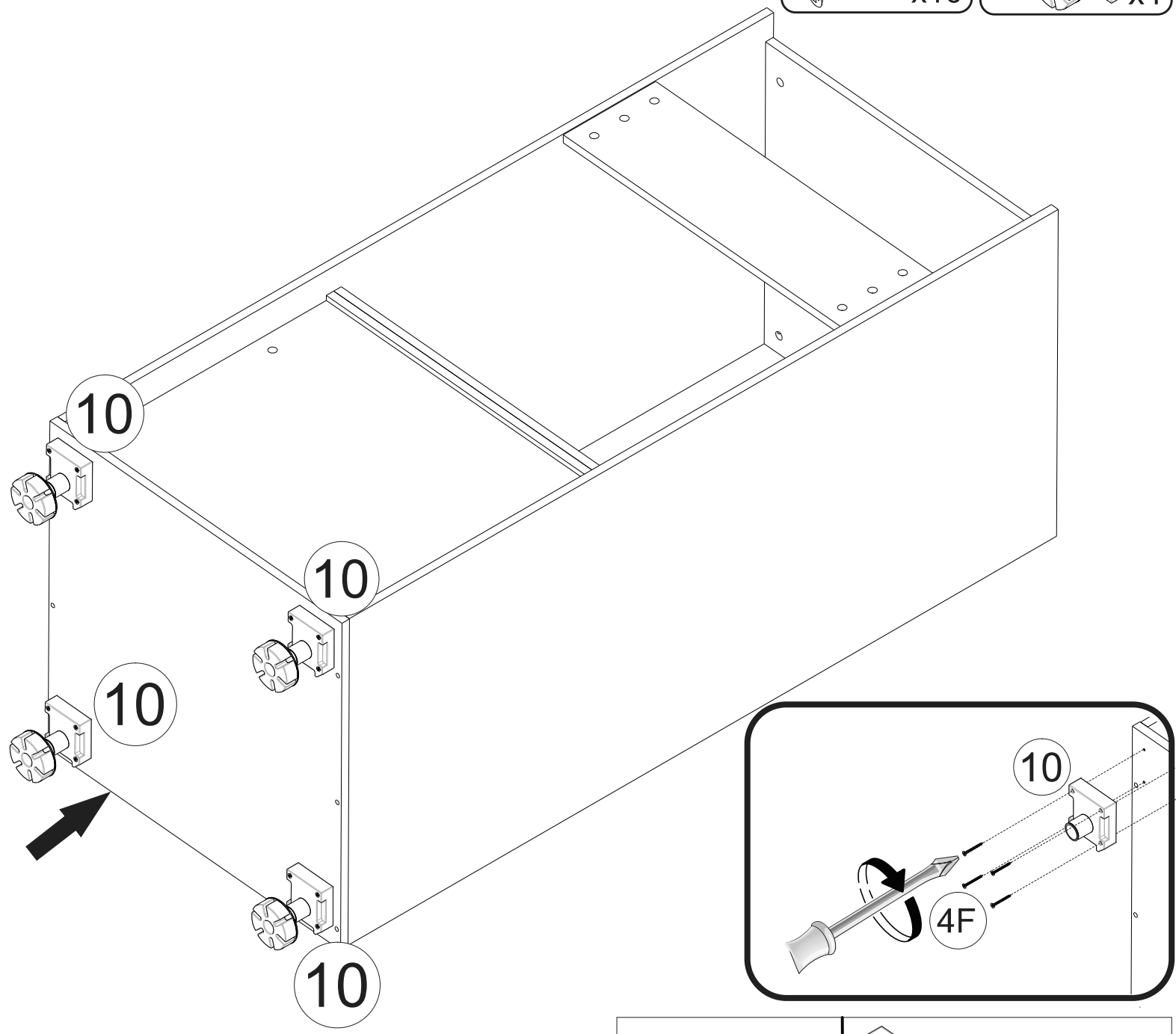
13

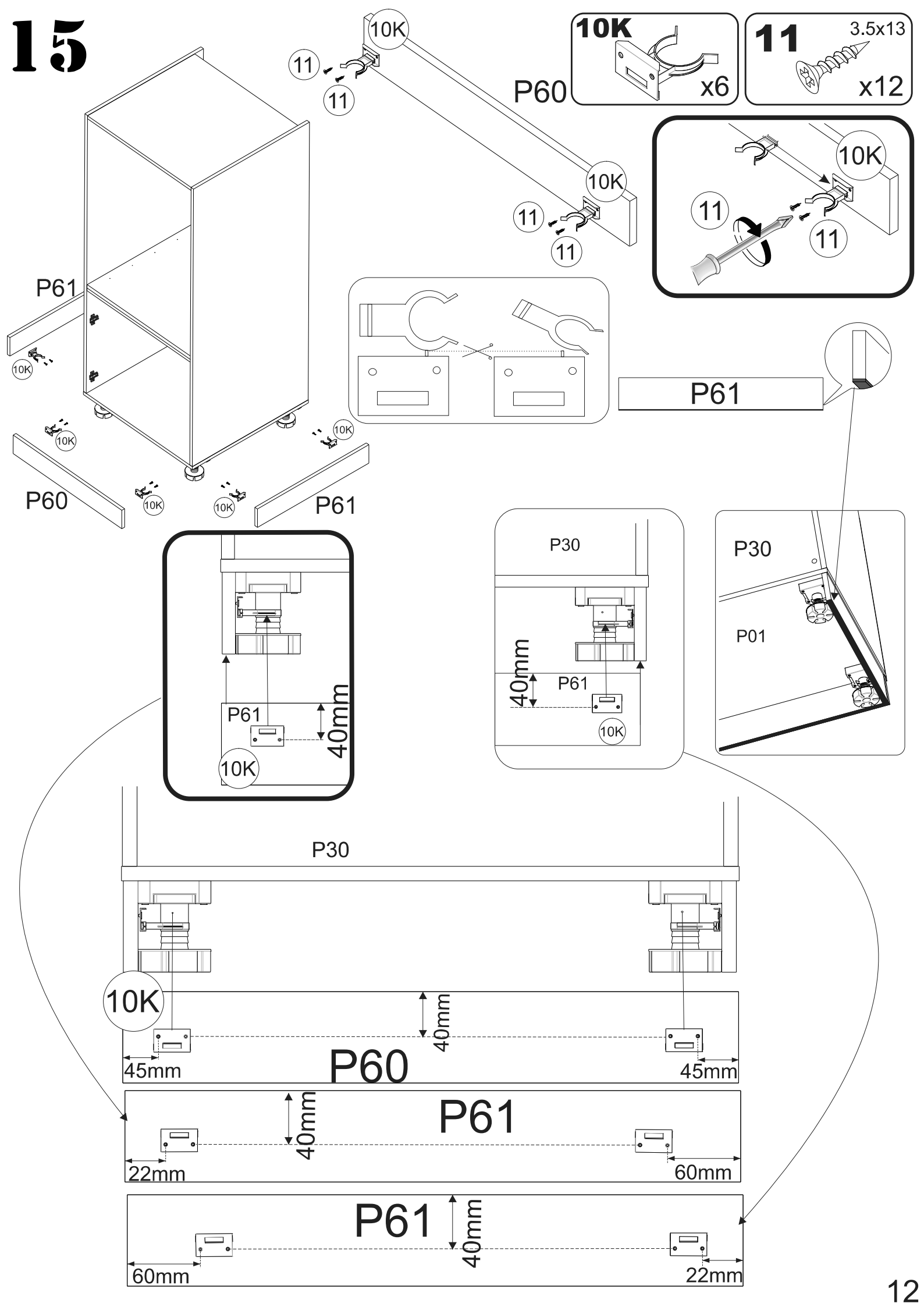


14

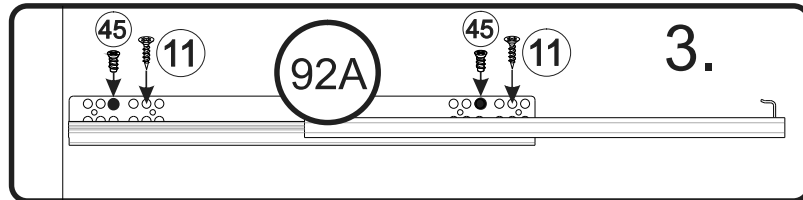
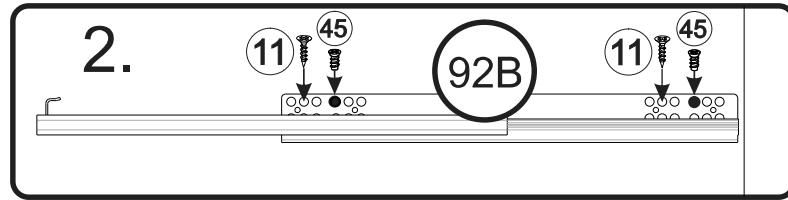
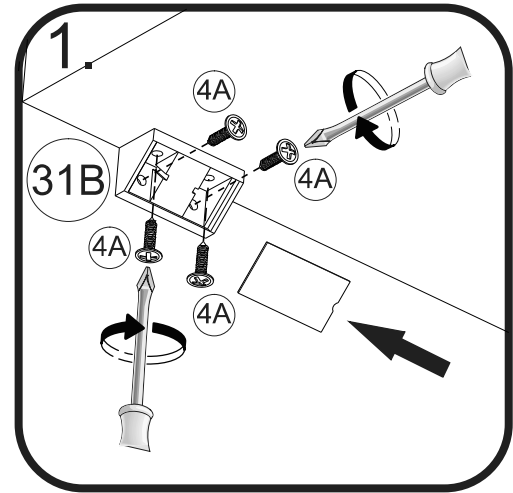
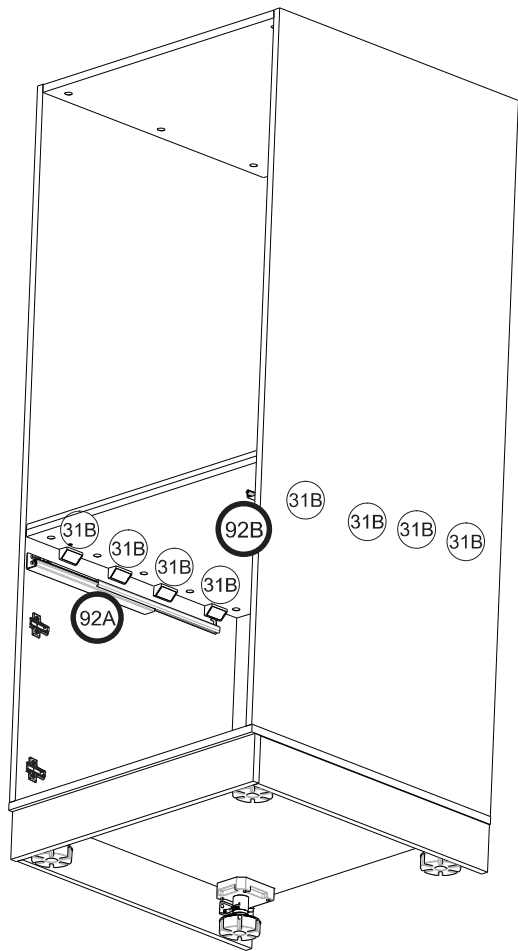
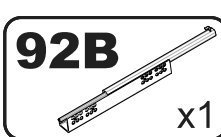
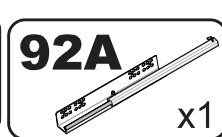
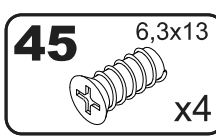
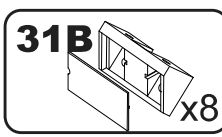
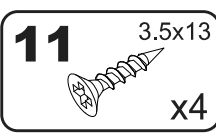
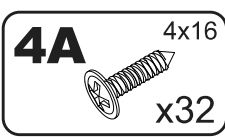
4F 4x35
x16

10 x4

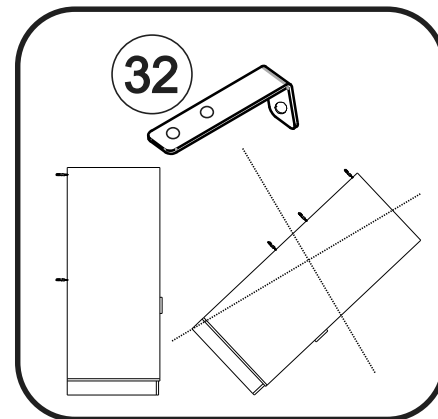
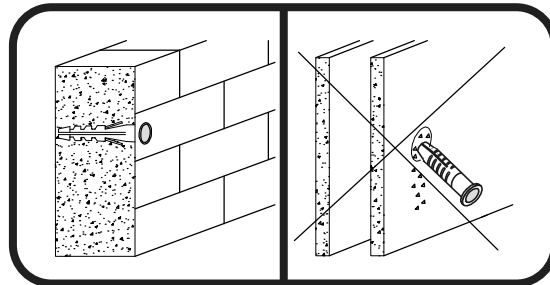
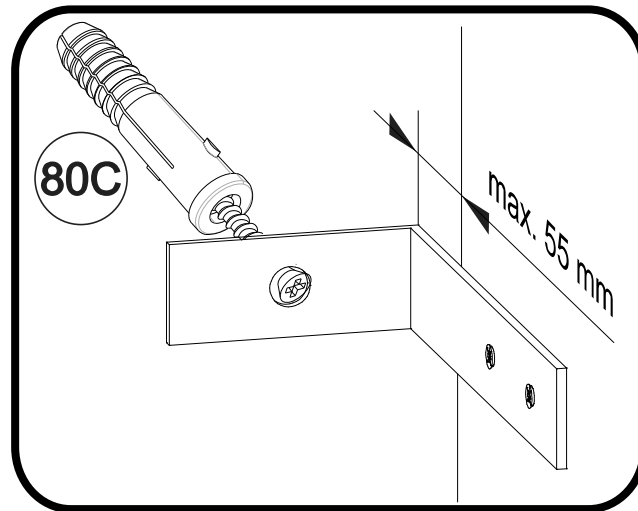
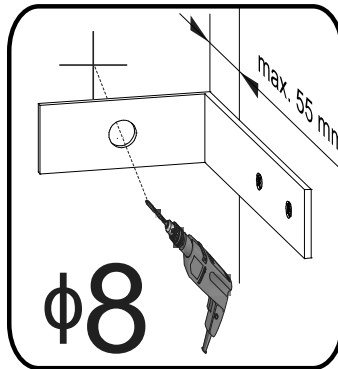
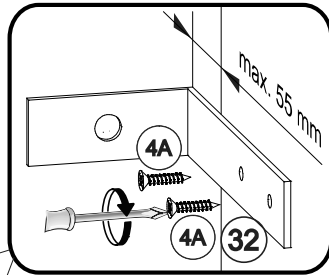
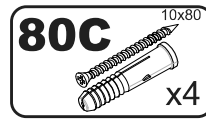
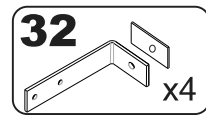
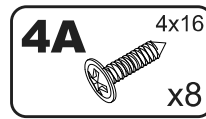




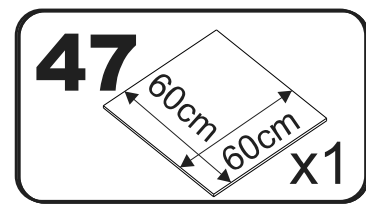
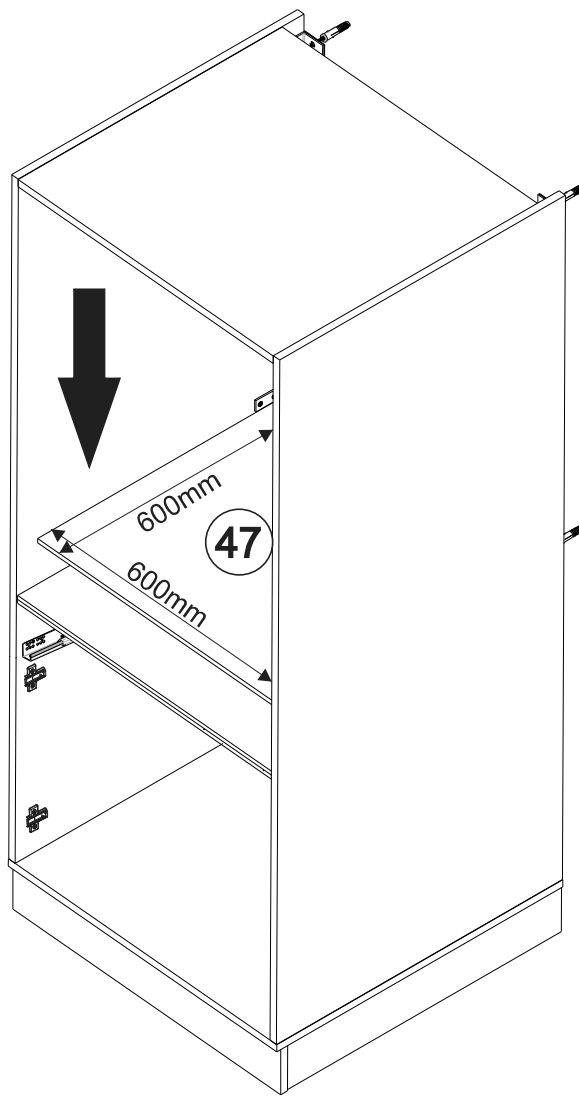
16



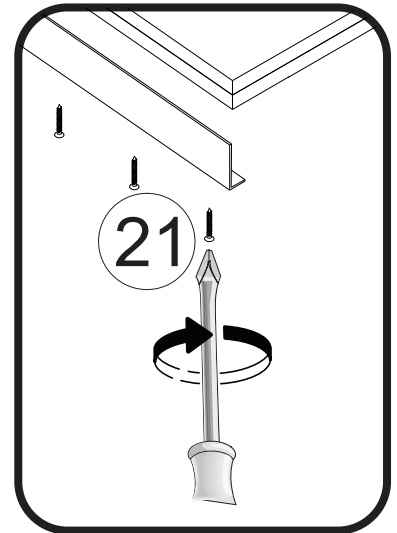
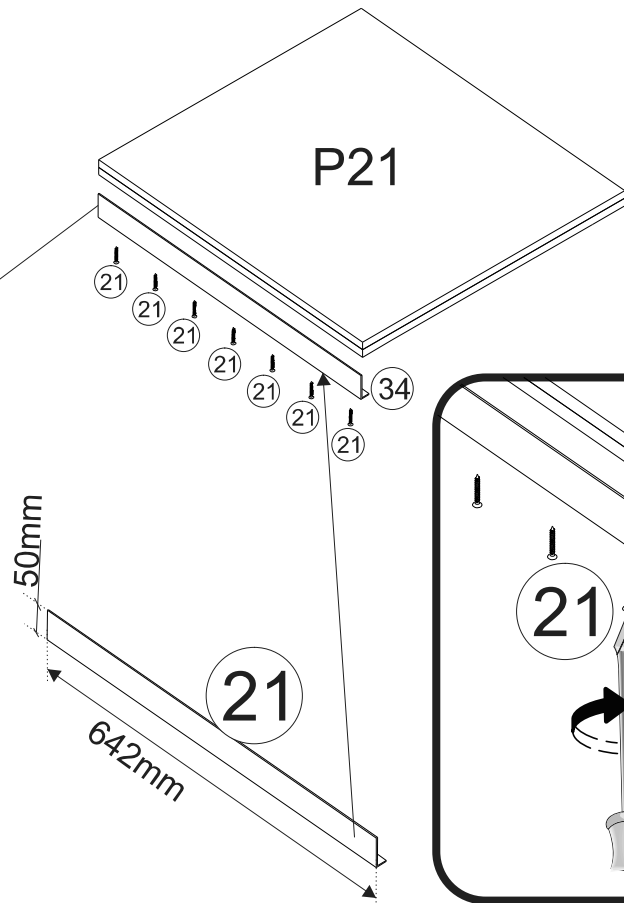
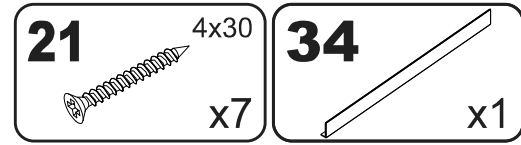
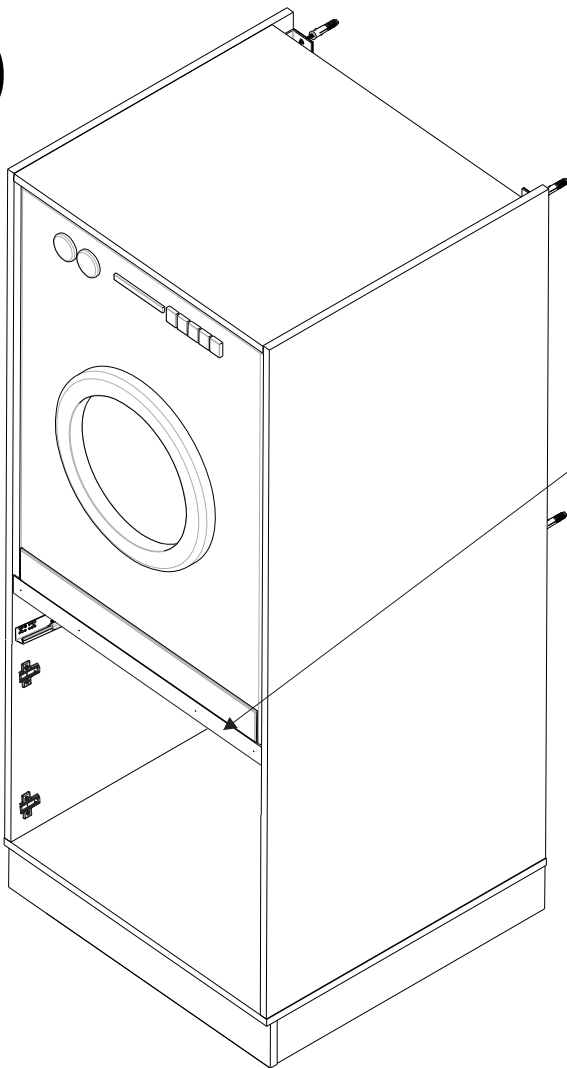
17



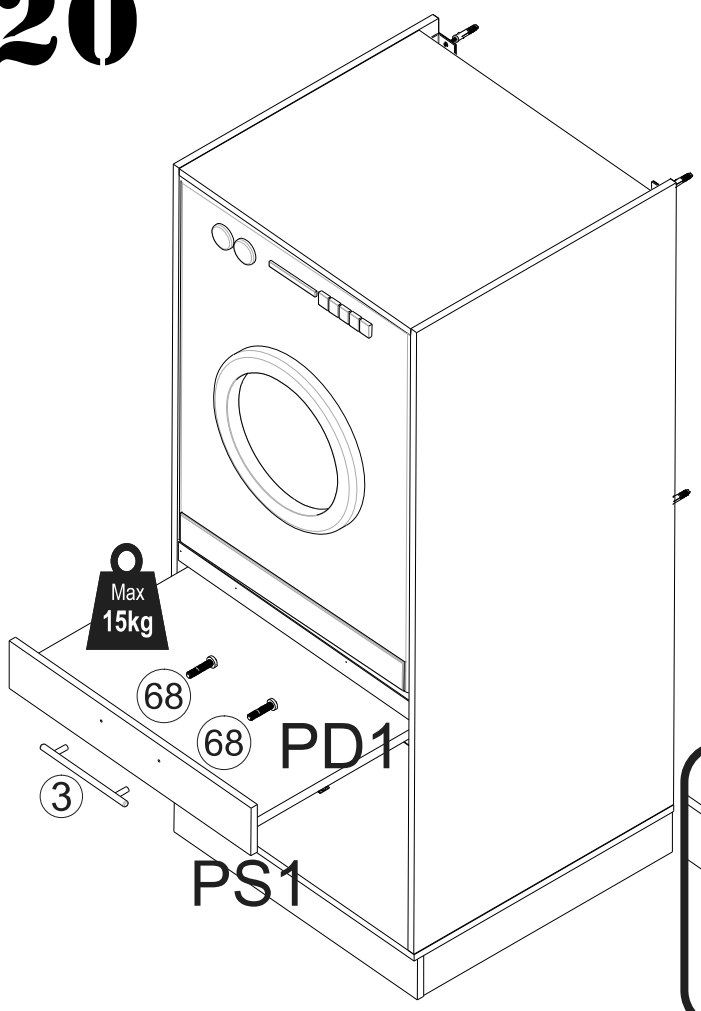
18



19



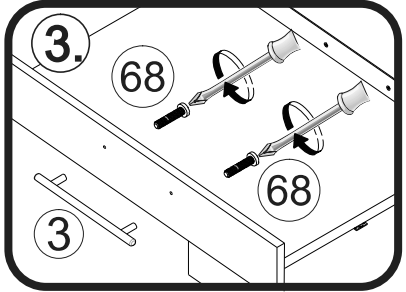
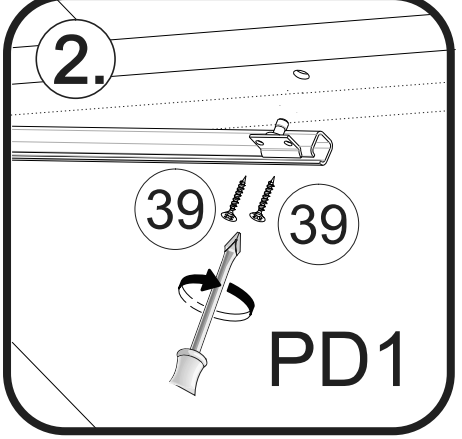
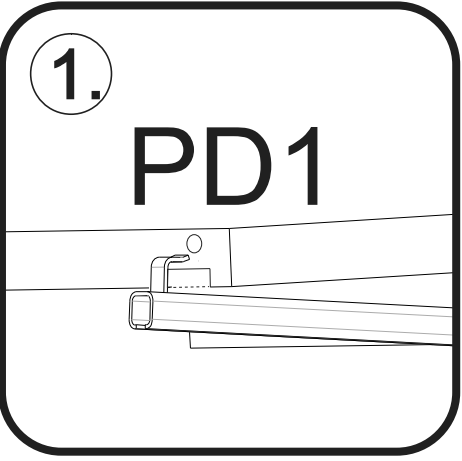
20



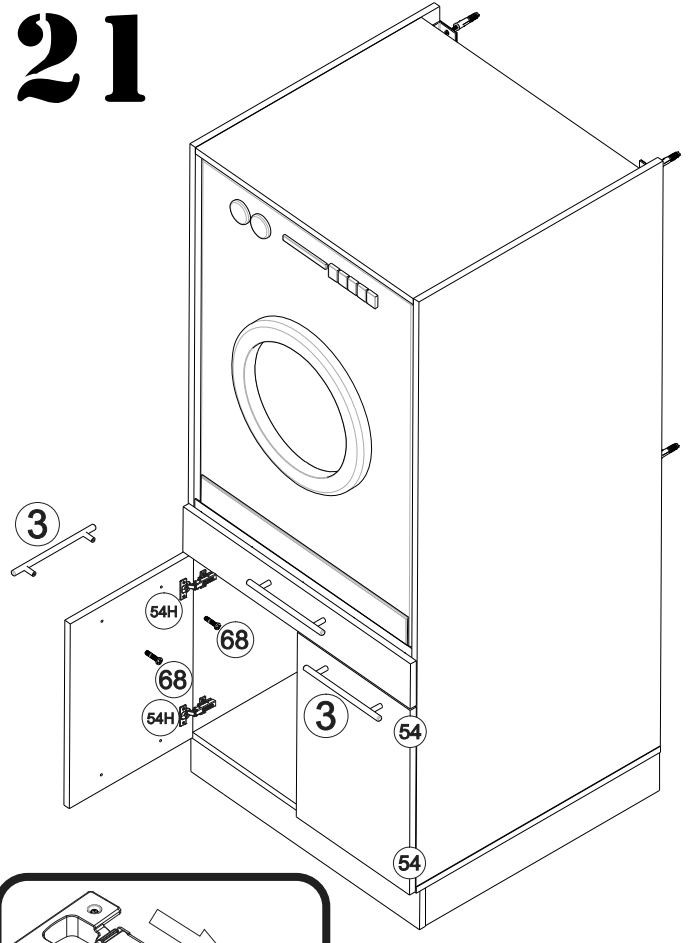
3 x1

39 3x20 x4

68 M4x25 x2

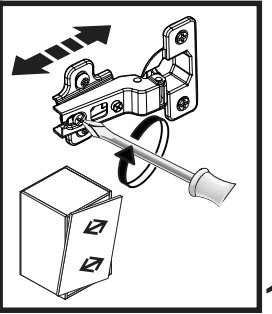
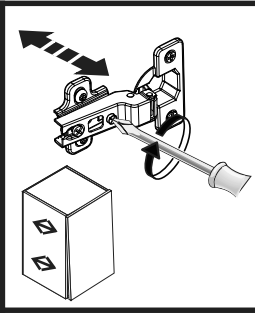
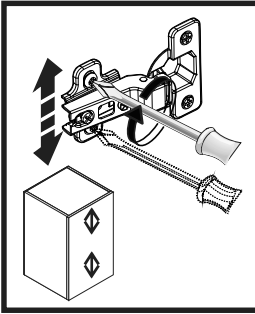
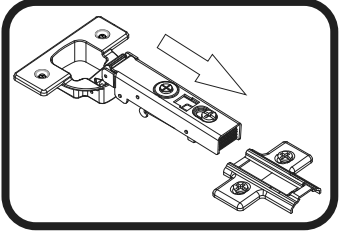
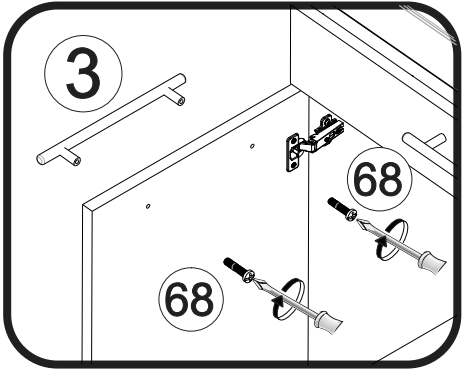
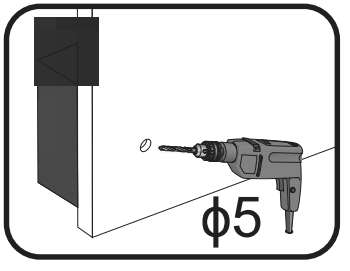


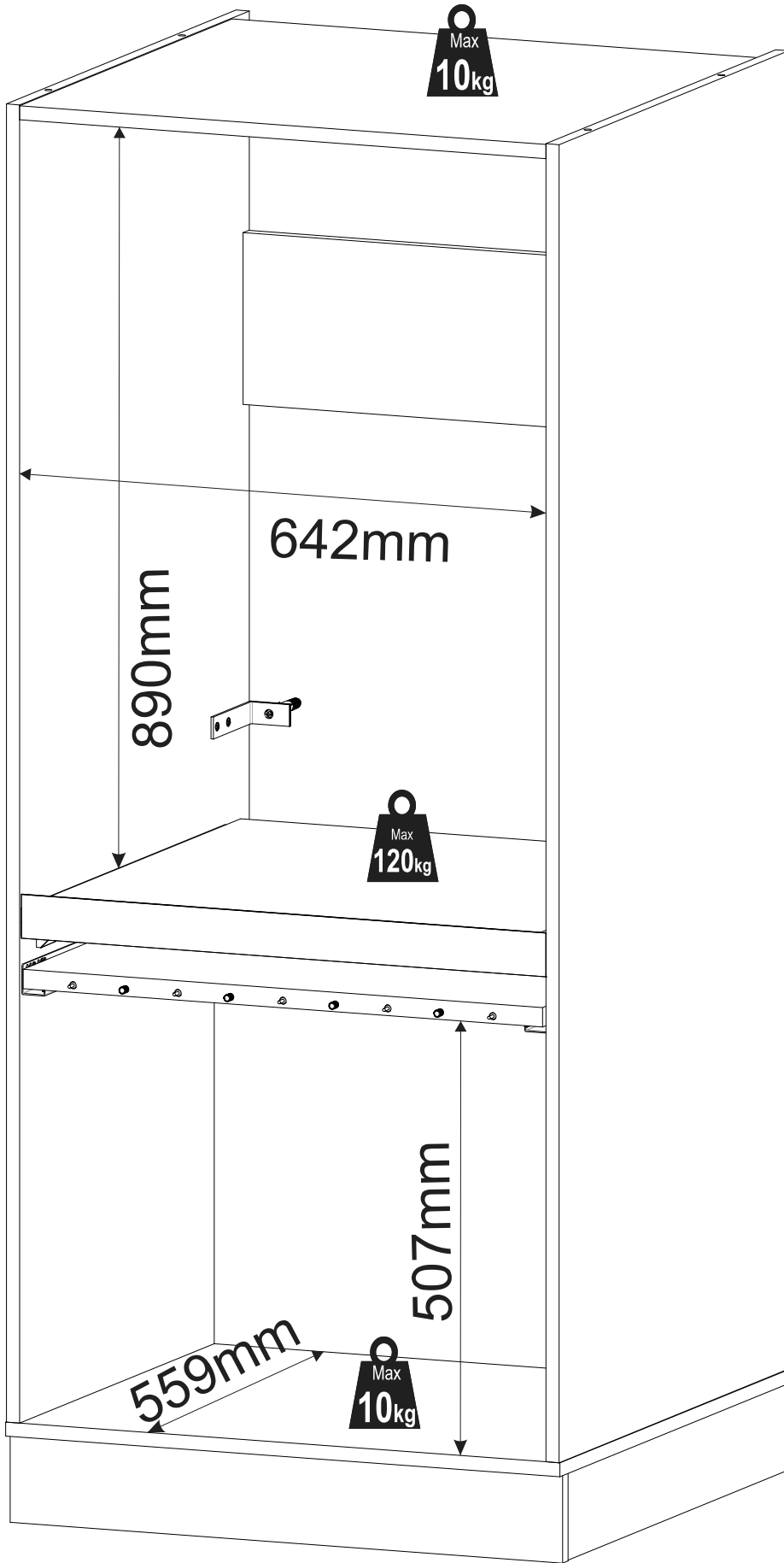
21



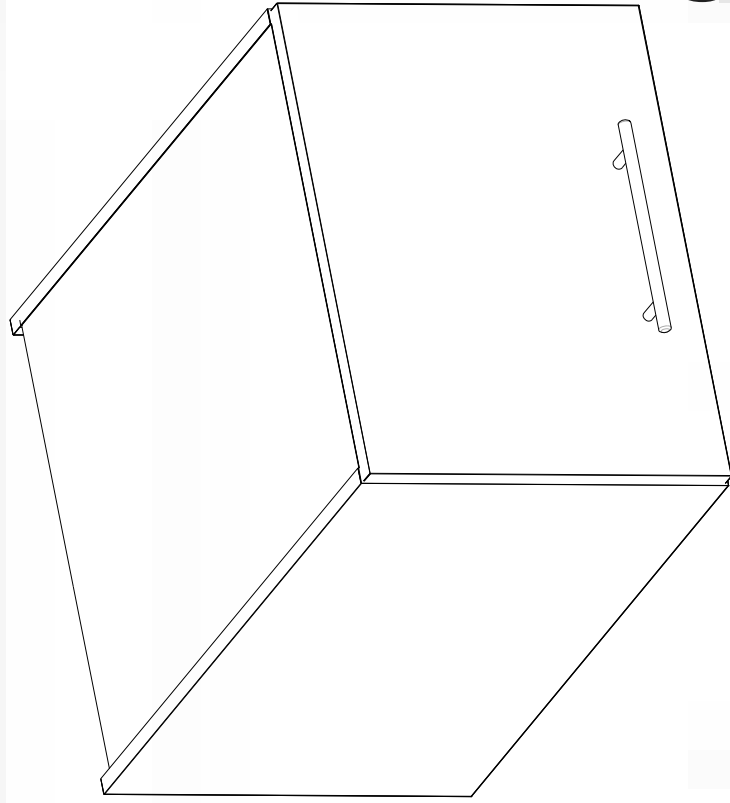
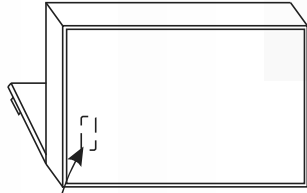
3 x2

68 M4x25 x4

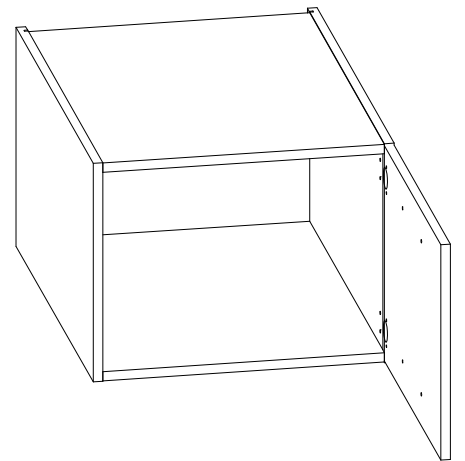
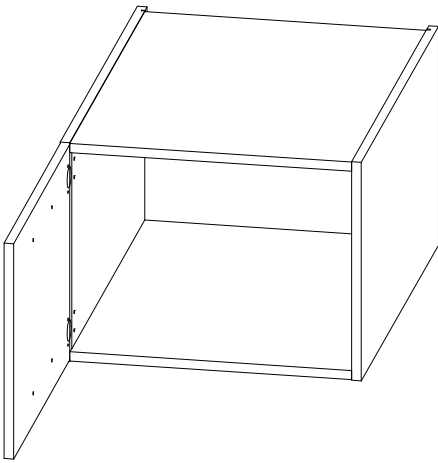
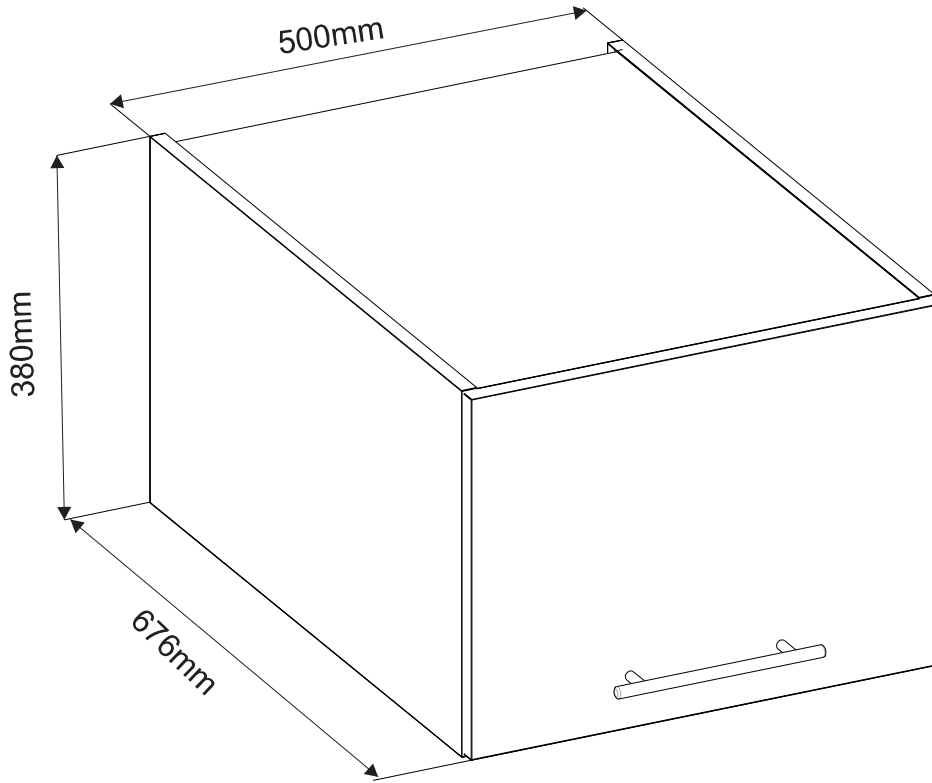
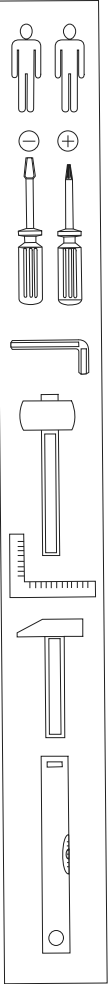


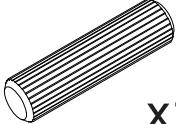
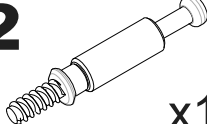
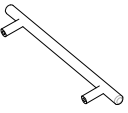
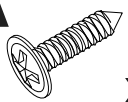
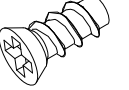


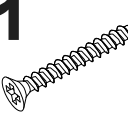


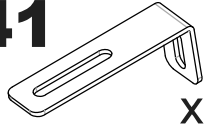
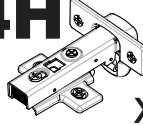

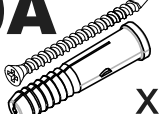


.....
XXXXXXXXXXXX
serie: xxx
.....
Hergestellt für:
.....
.....

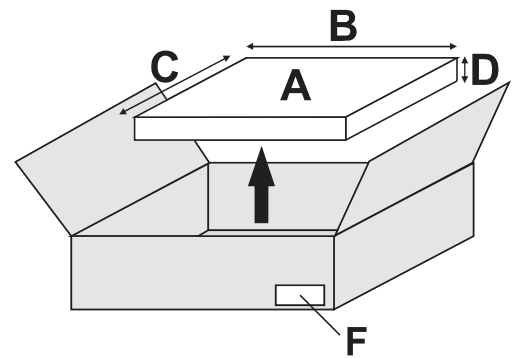
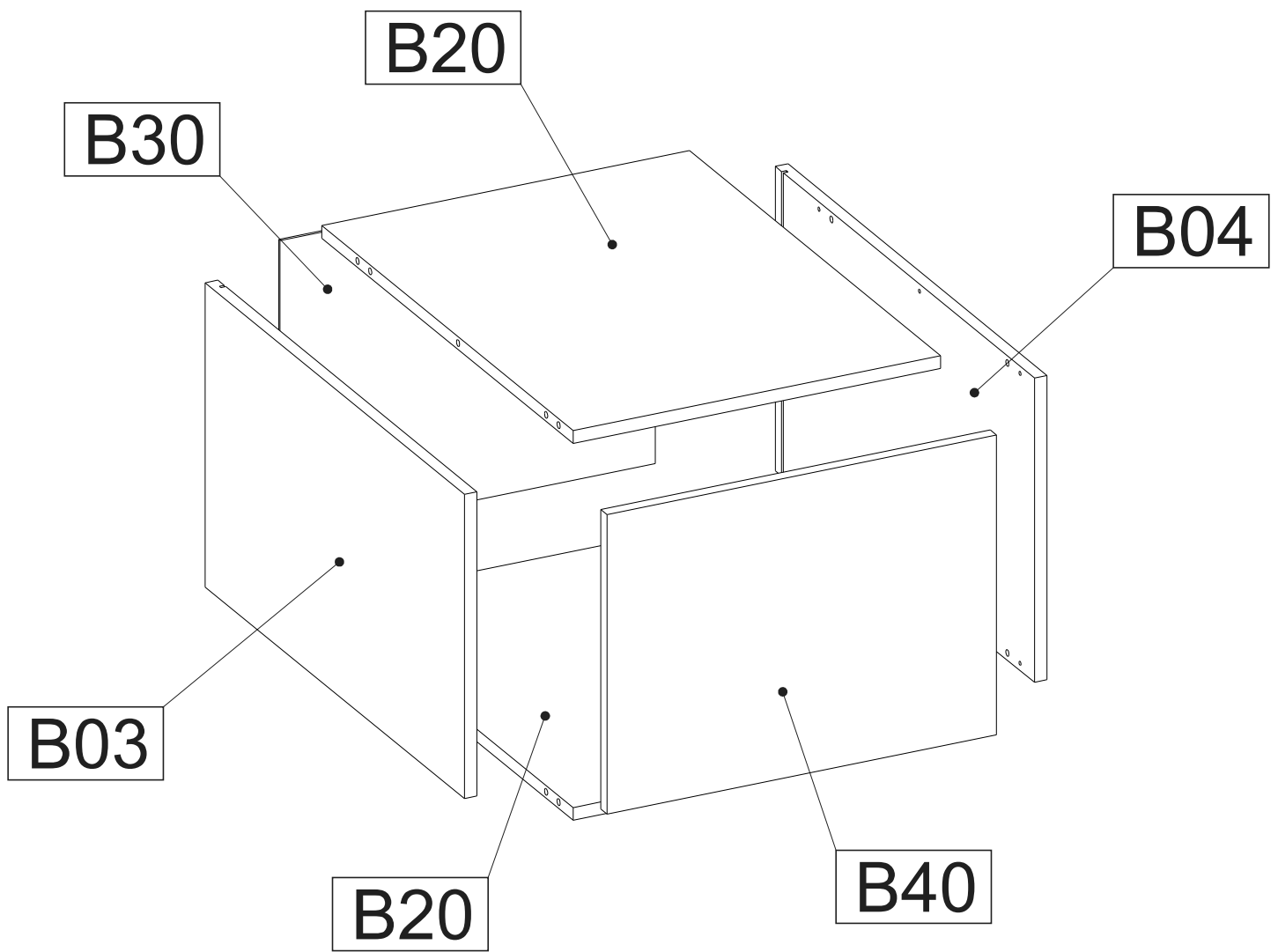


60 min



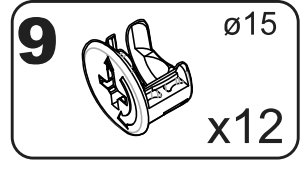
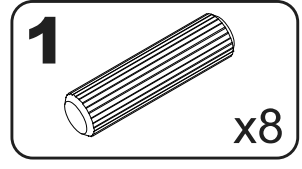
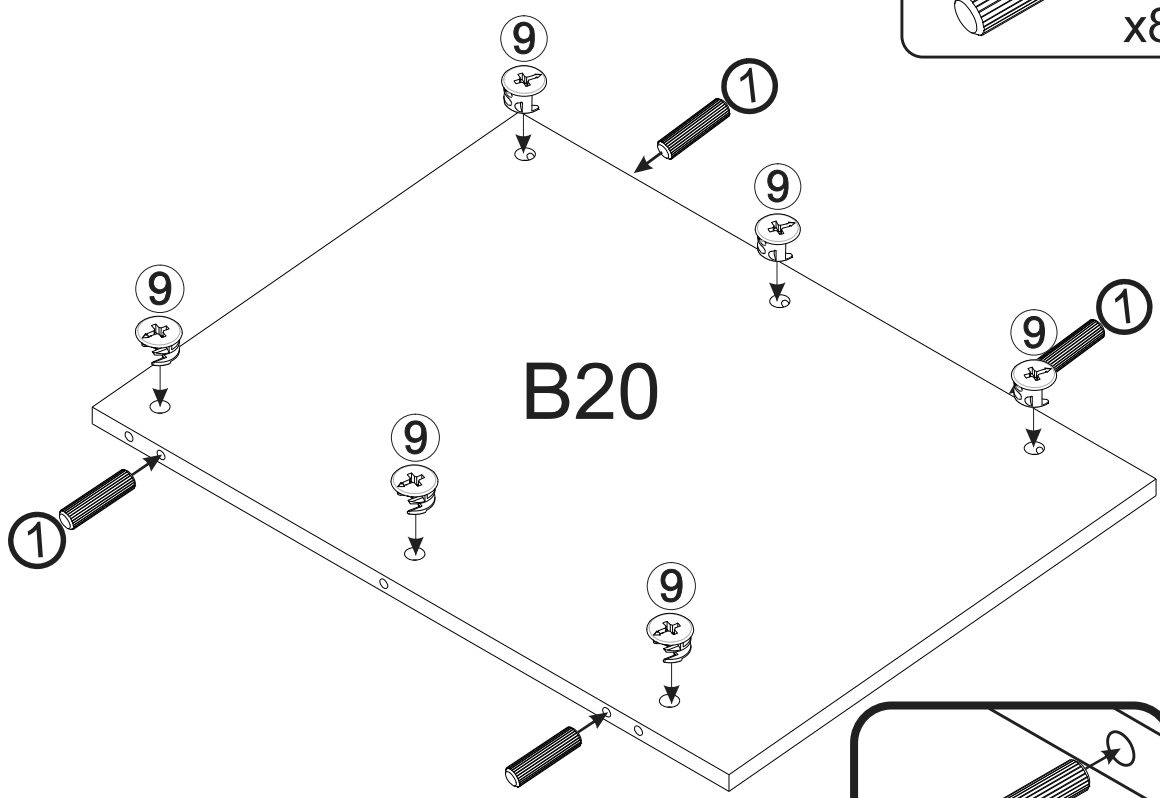
- | | | | | |
|--|---|--|--|---|
| 1  x12 | 2  x12 | 3  x1 | 4A  4x16 x1 | 6  5x11 x4 |
| 9  ø15 x12 | 9A  x12 | 21  4x30 x6 | 38  x4 | 39  3x20 x14 |
| 41  x1 | 54H  x2 | 68  M4x25 x2 | 80A  x1 | |



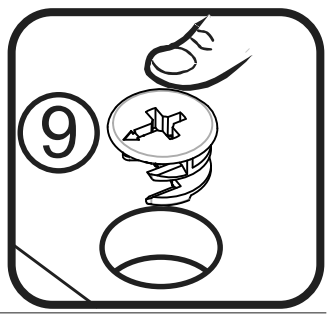
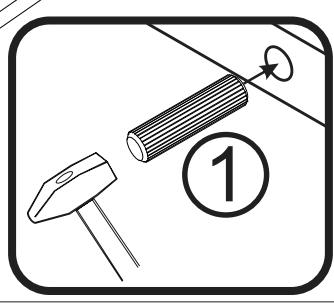


| A | B (mm) | C (mm) | D (mm) | E | F |
|-----|--------|--------|--------|---|-----|
| B03 | 660 | 380 | 16 | 1 | 1 1 |
| B04 | 660 | 380 | 16 | 1 | 1 1 |
| B20 | 468 | 640 | 16 | 2 | 1 1 |
| B30 | 478 | 374 | 3 | 1 | 1 1 |
| B40 | 496 | 374 | 16 | 1 | 1 1 |

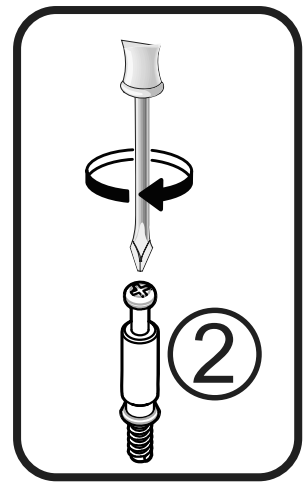
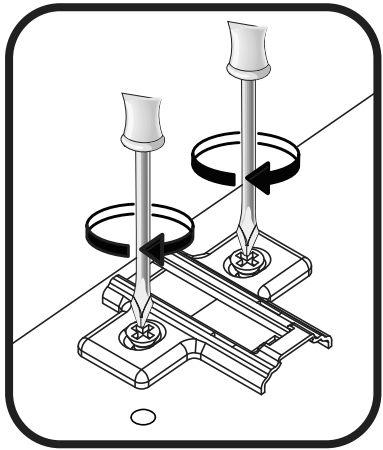
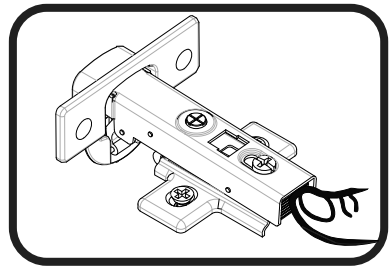
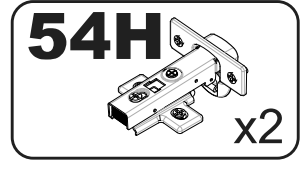
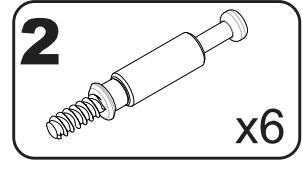
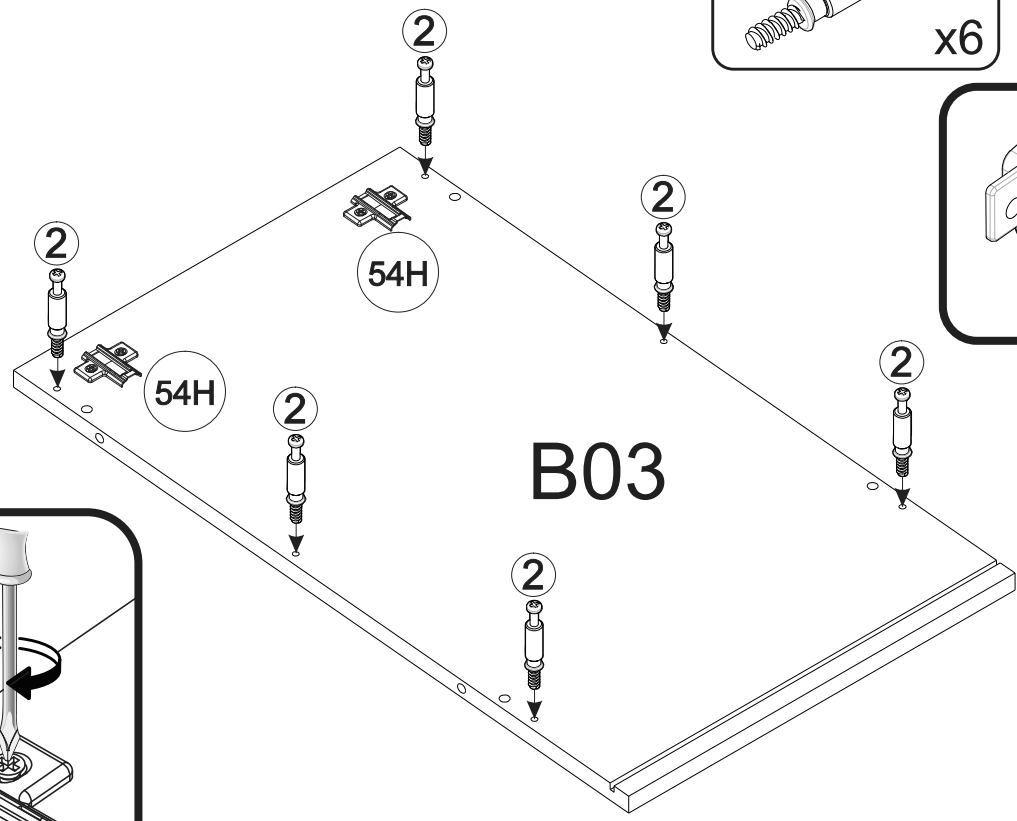
1



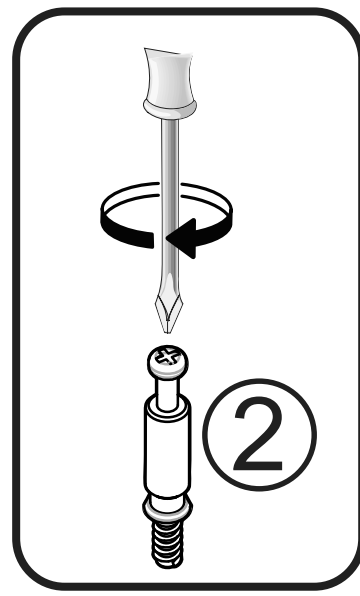
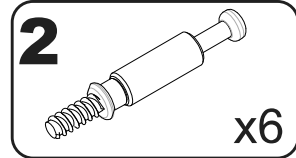
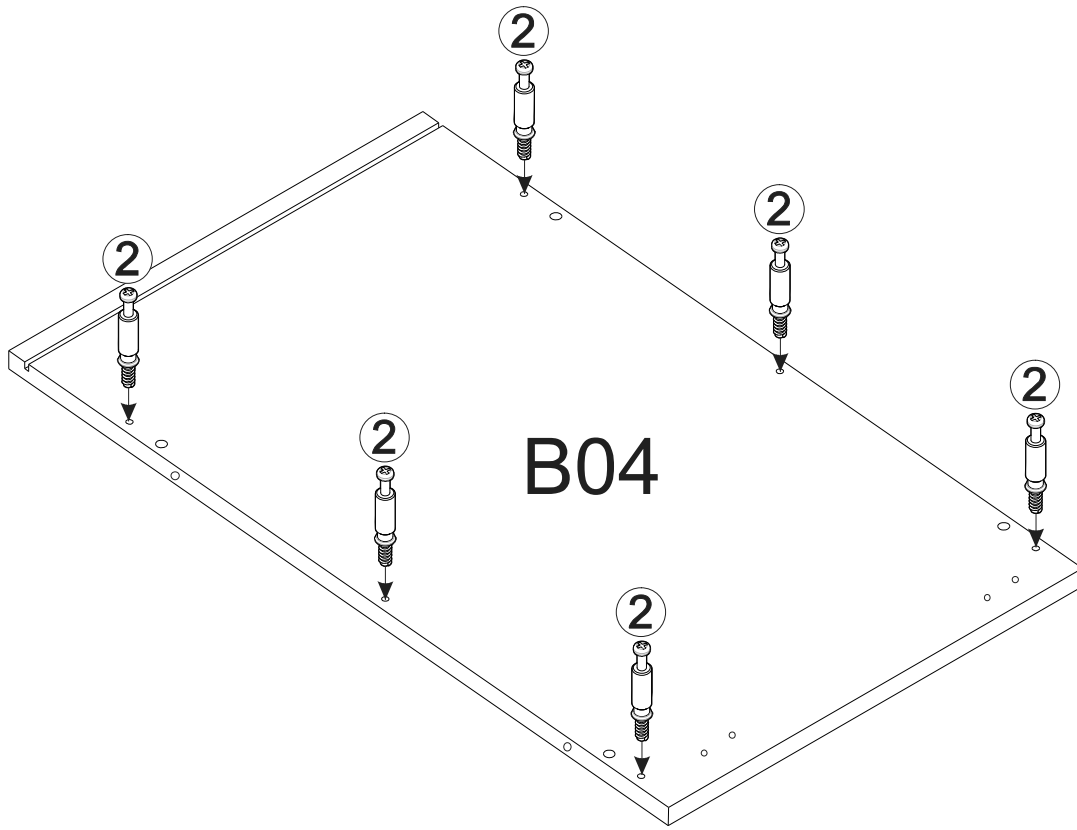
X2



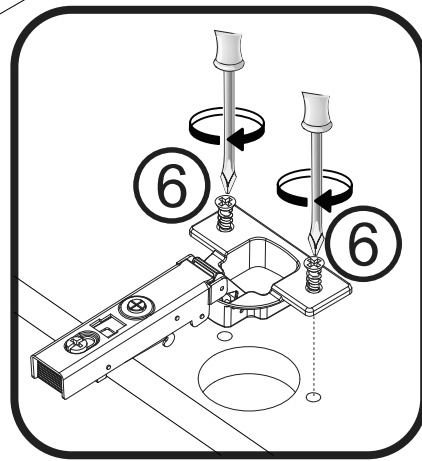
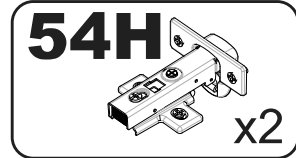
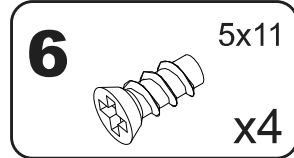
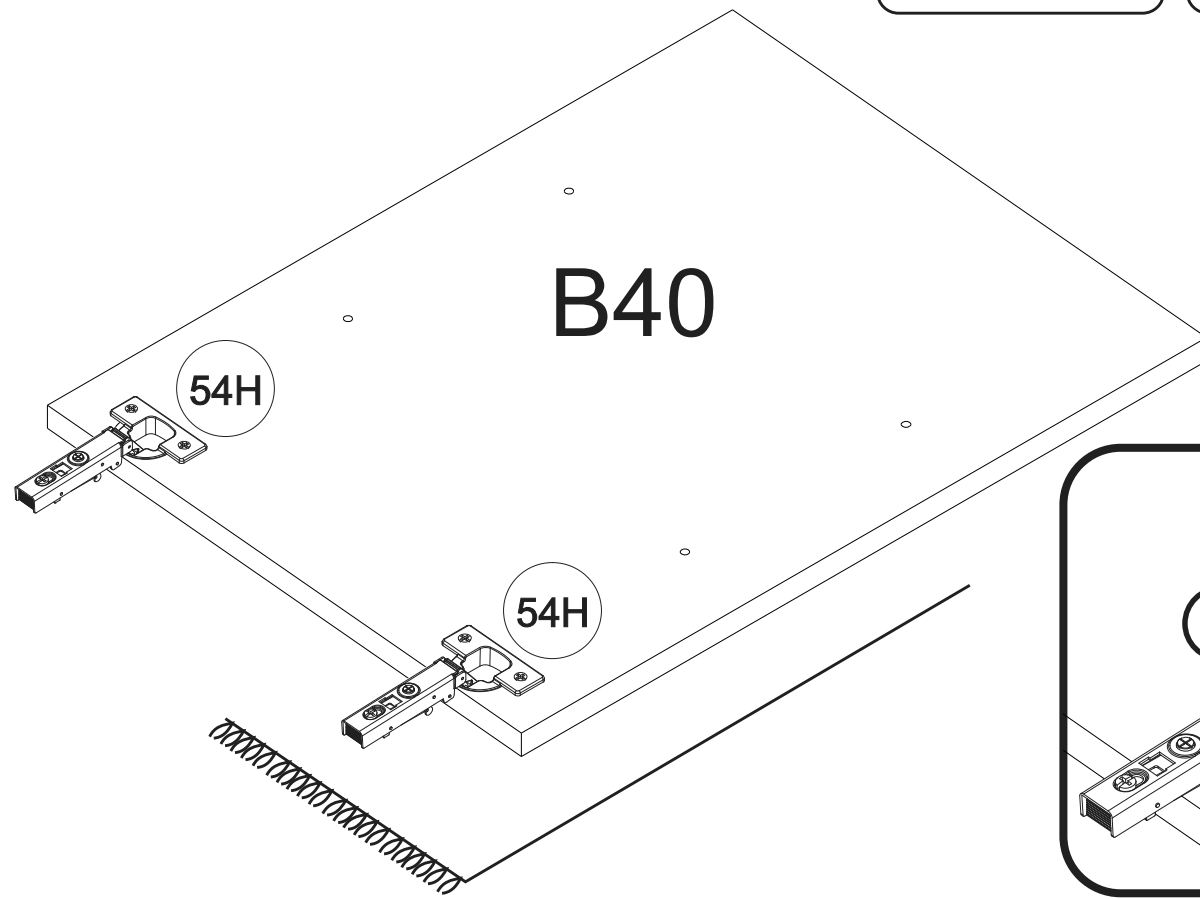
2



3




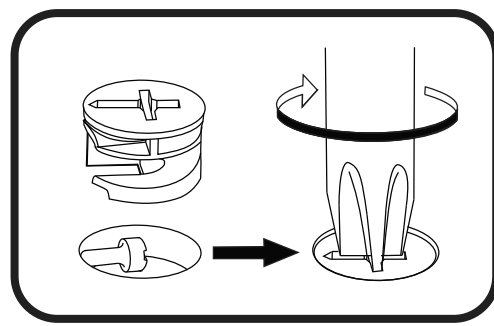
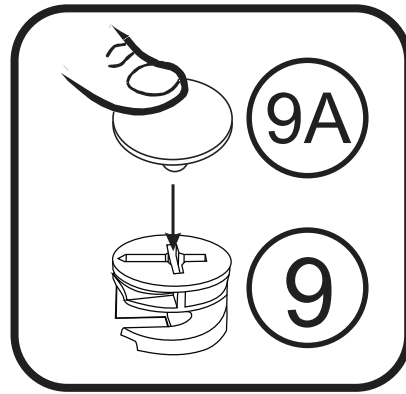
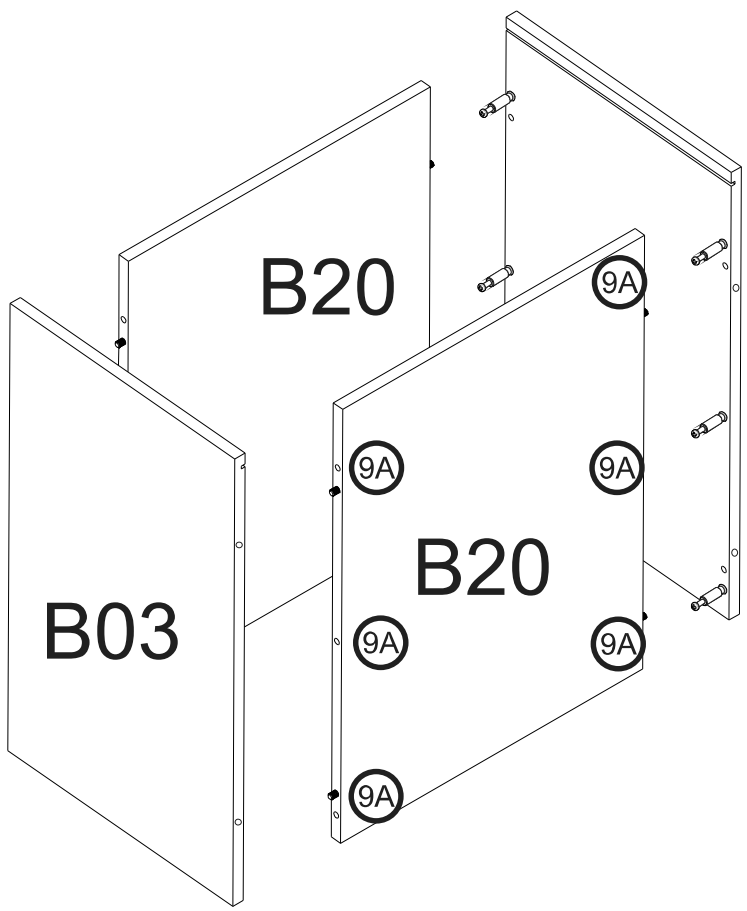
4



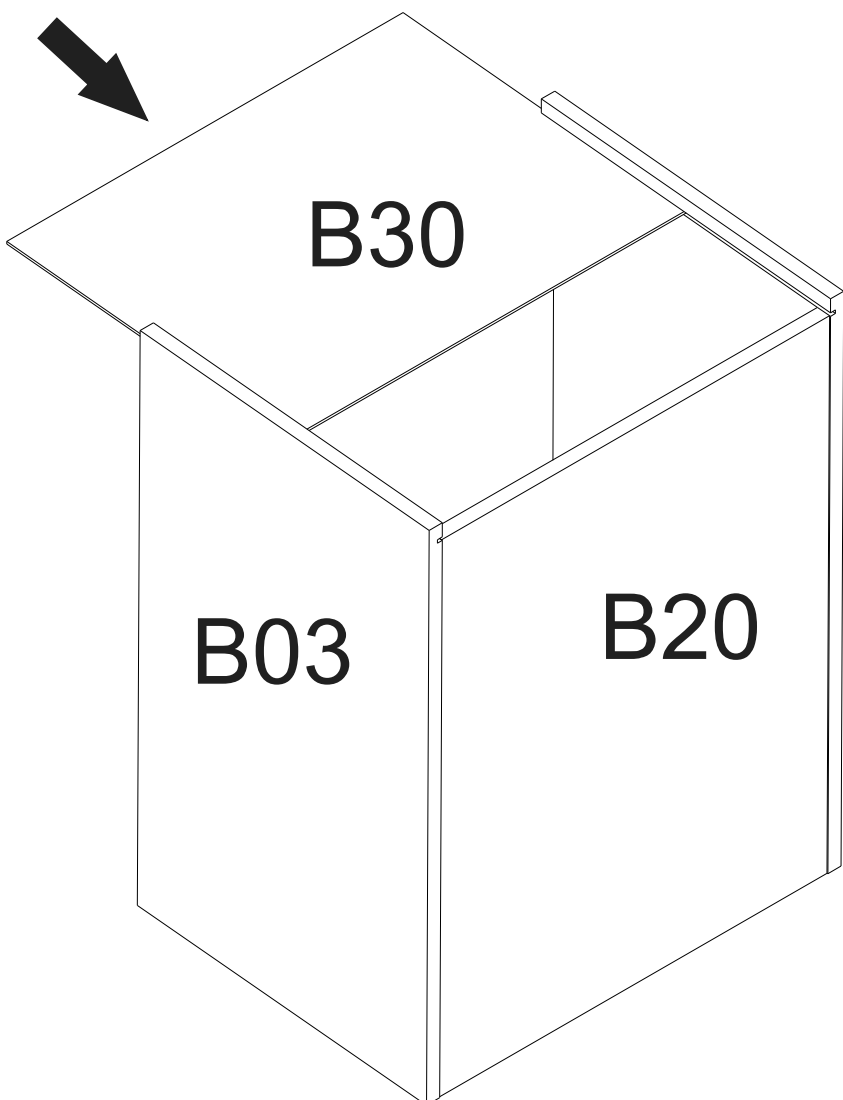
5

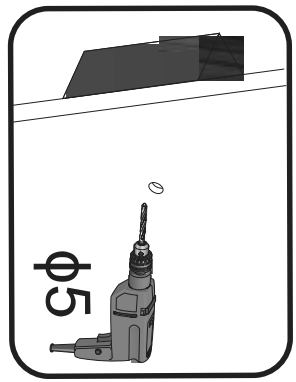
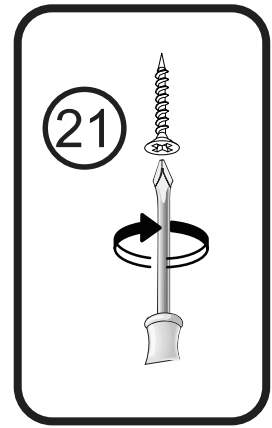
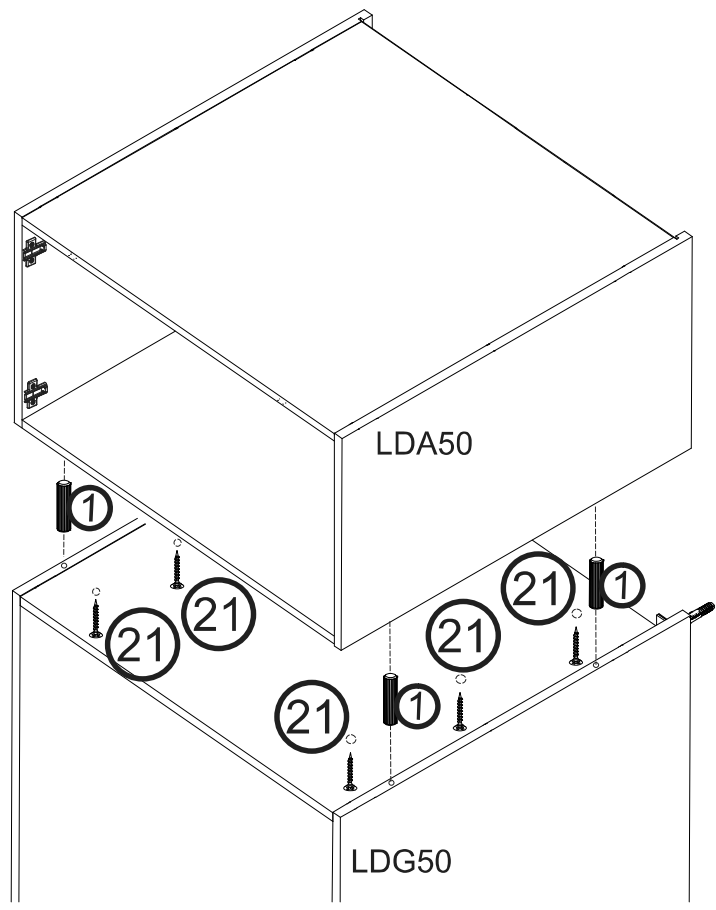
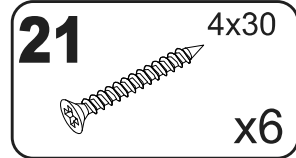
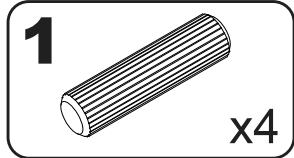
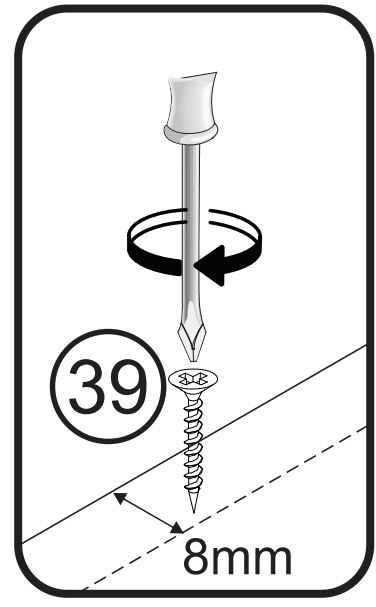
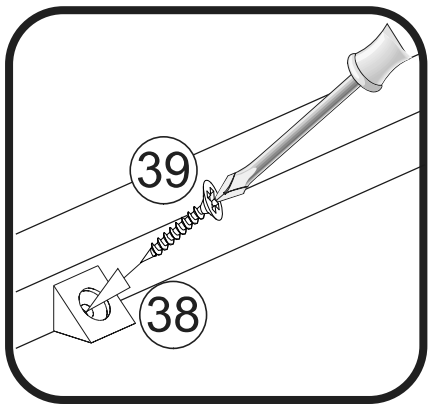
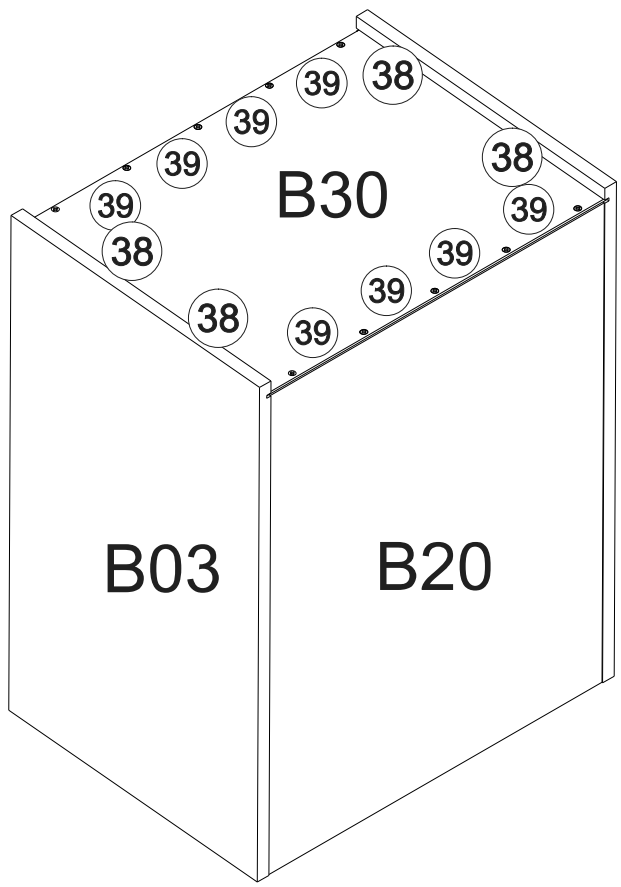
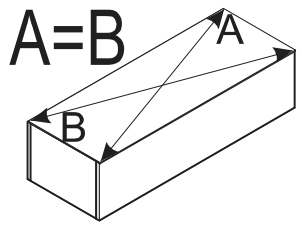
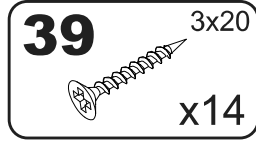
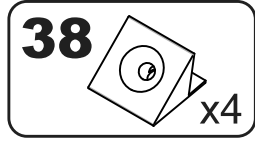
5

9A  x6

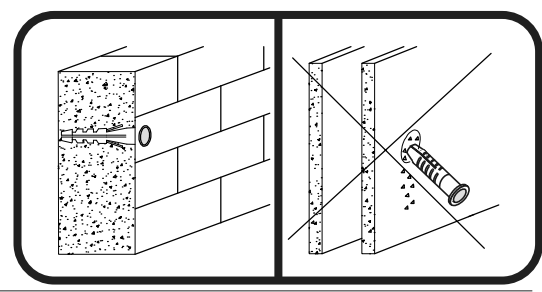
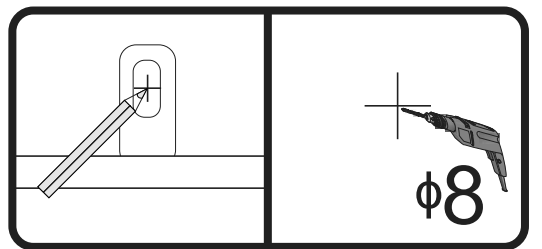
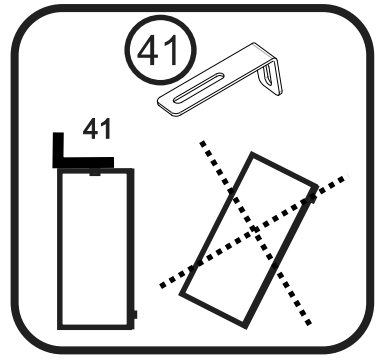
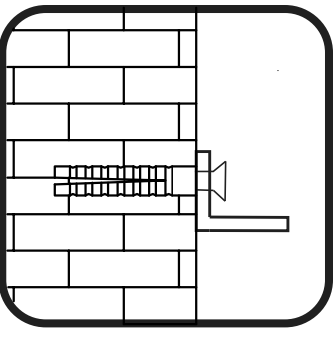
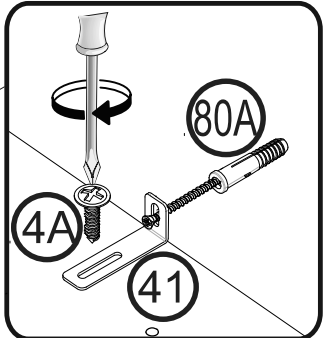
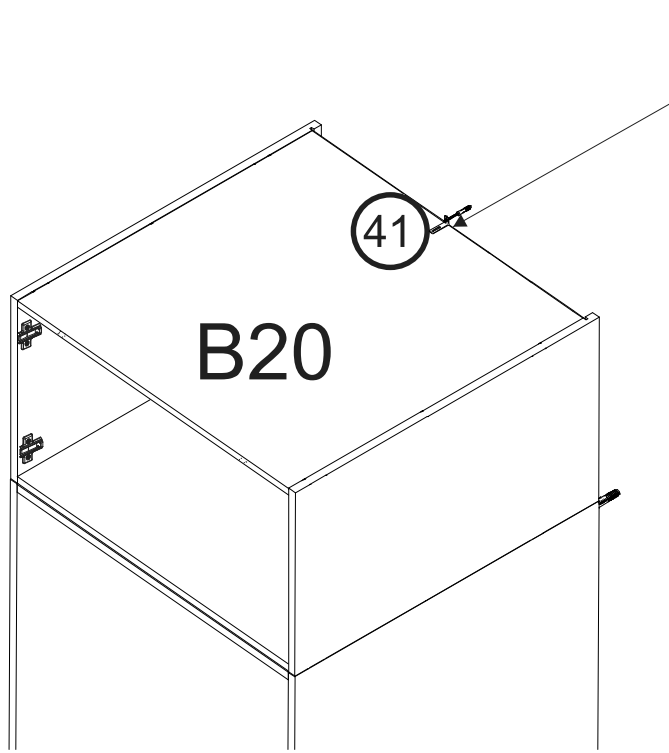
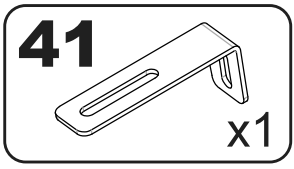
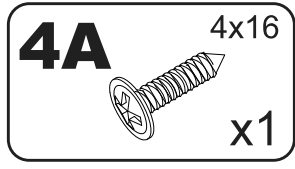


6

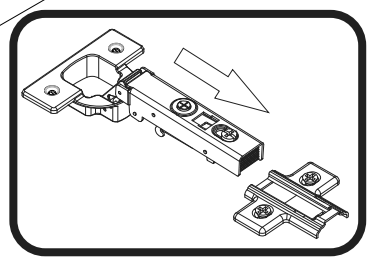
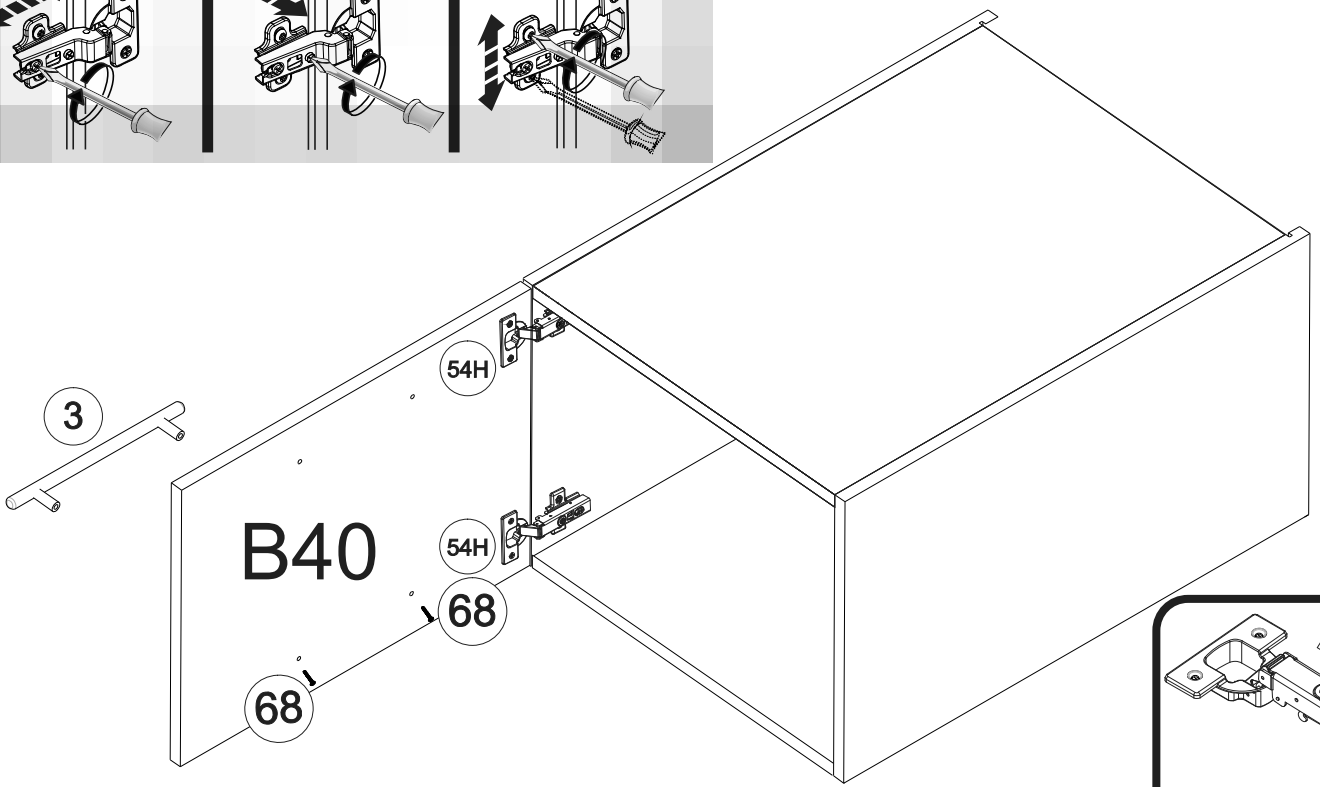
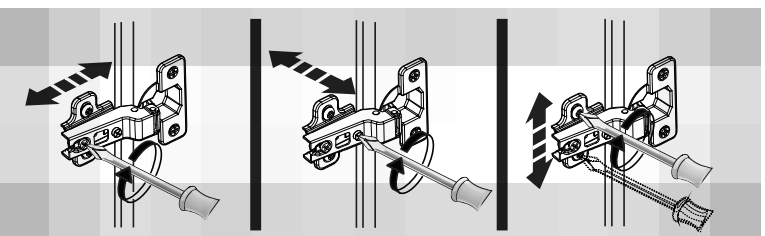
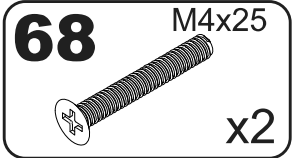
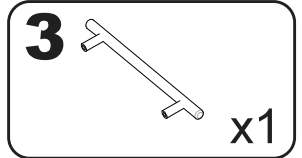




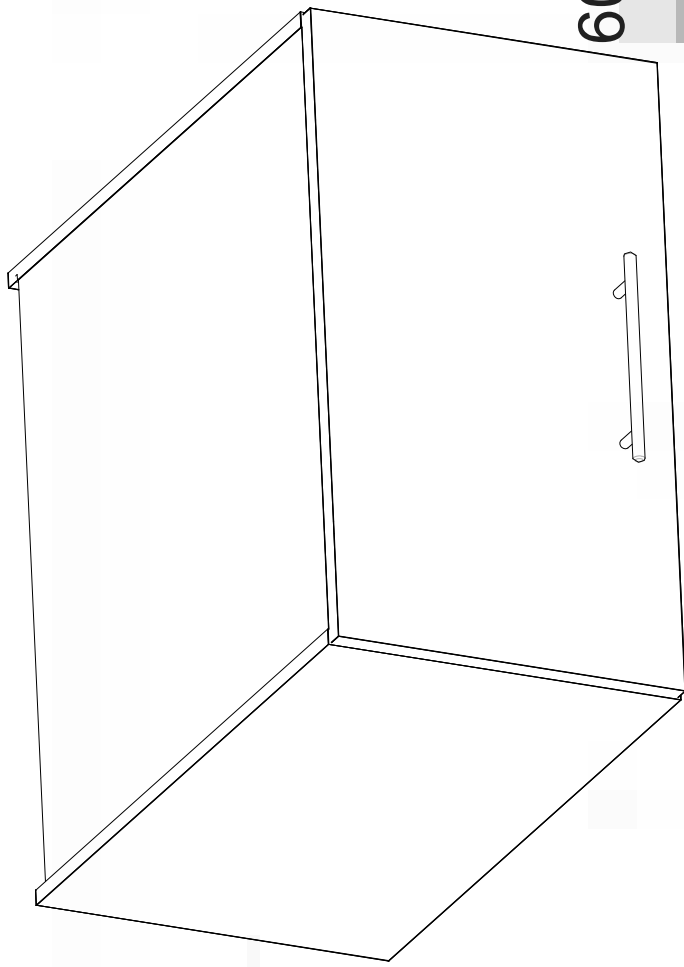
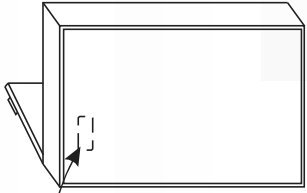
9



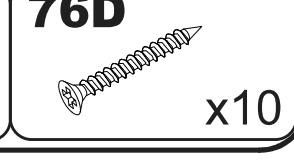
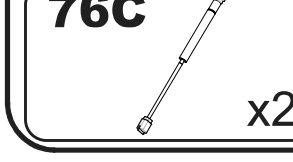
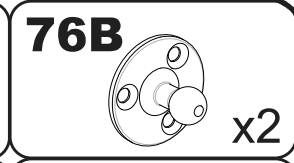
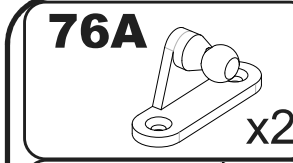
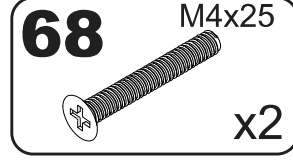
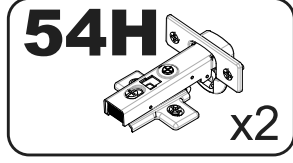
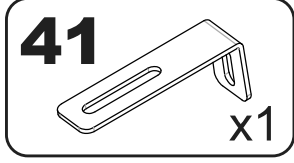
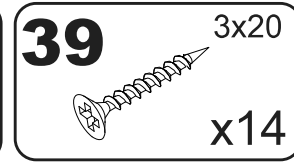
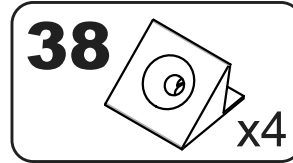
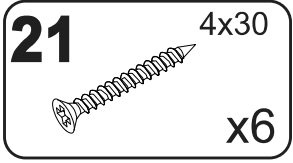
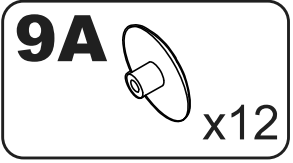
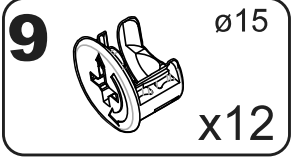
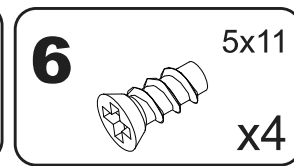
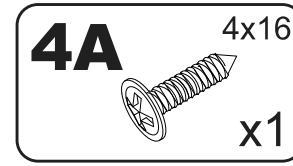
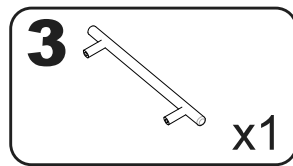
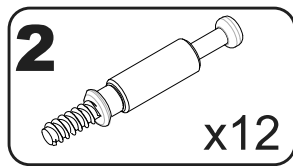
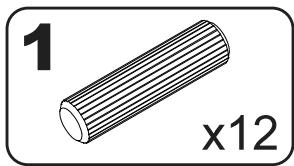
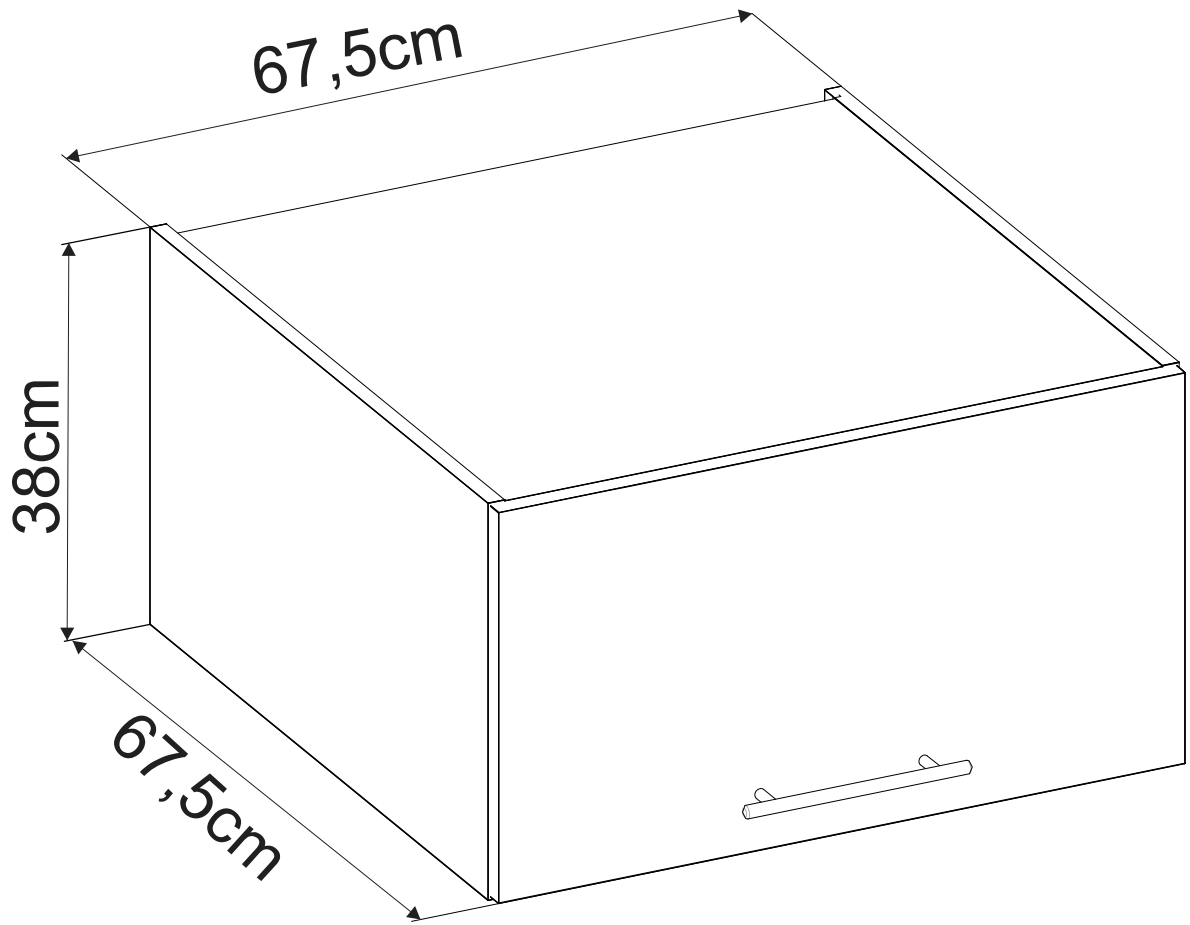
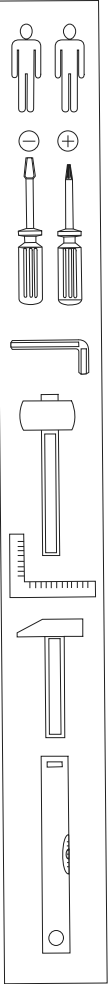
10

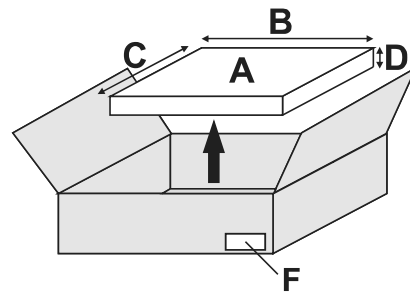
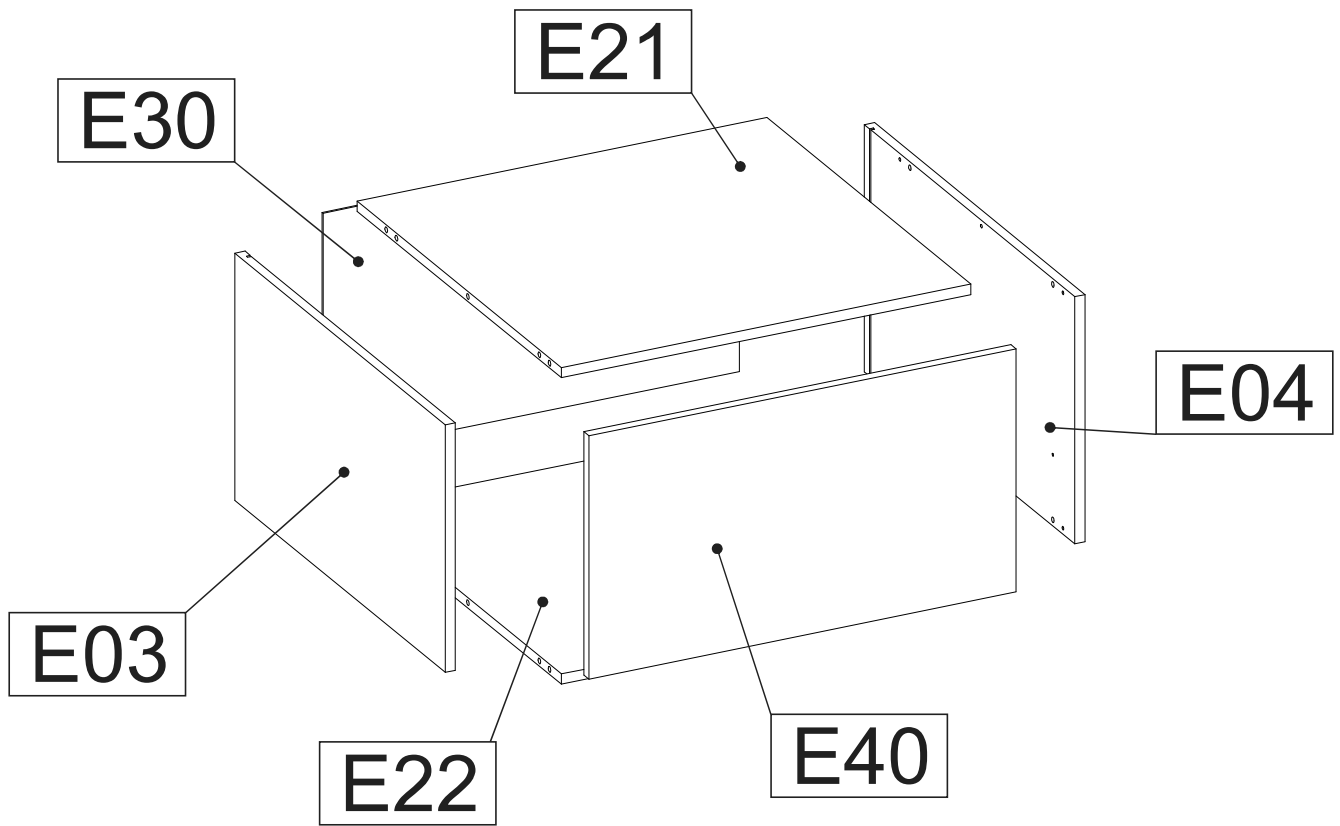


.....
XXXXXXXXXXXX serie: xxx
.....
Hergestellt für:
.....
.....



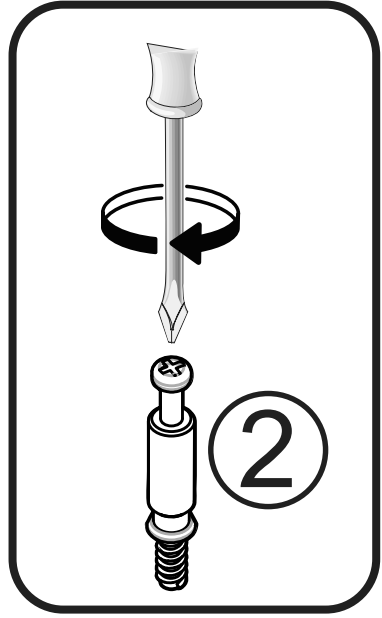
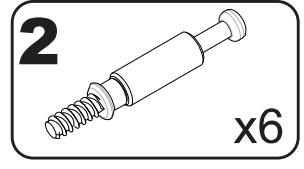
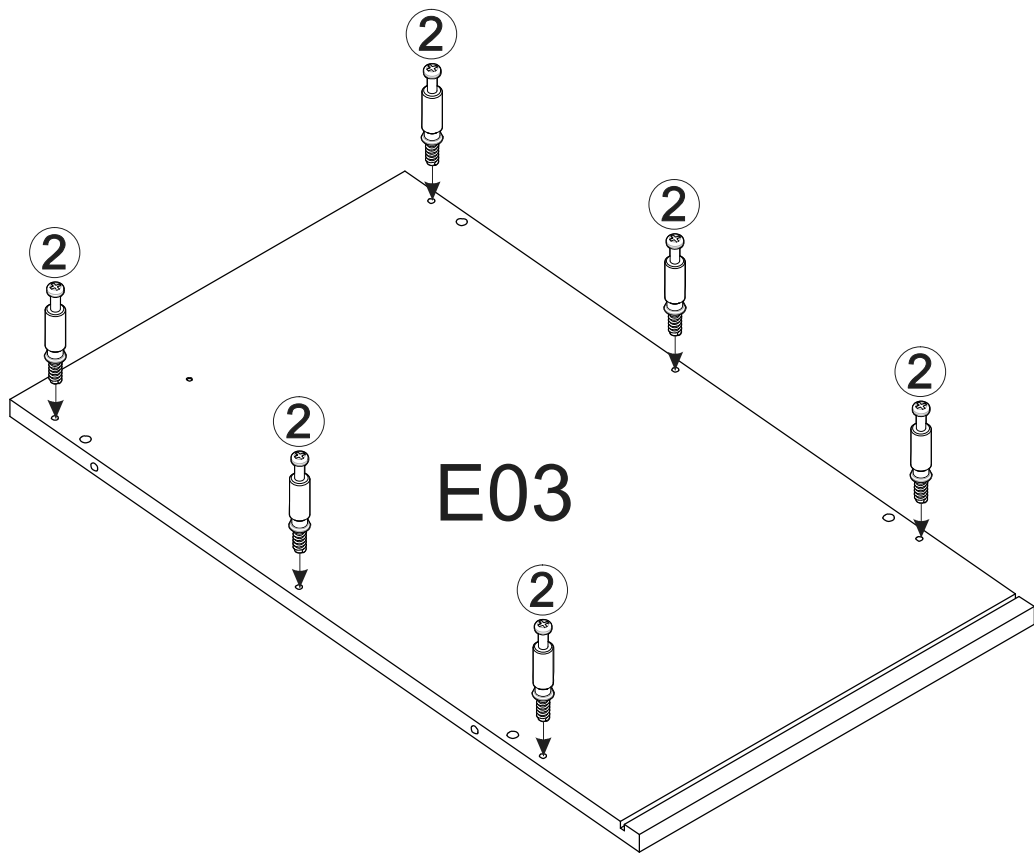
60 min



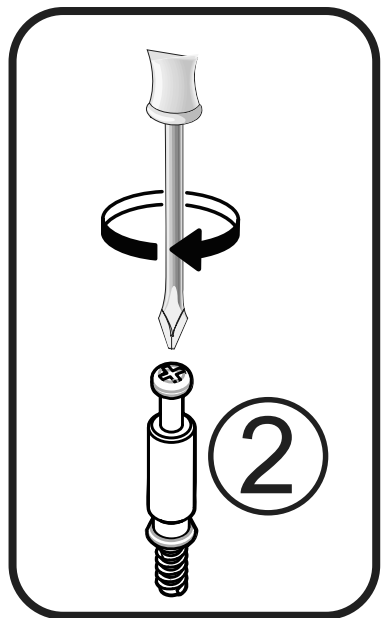
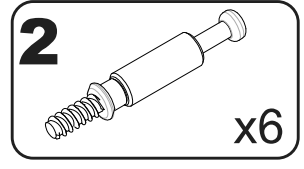
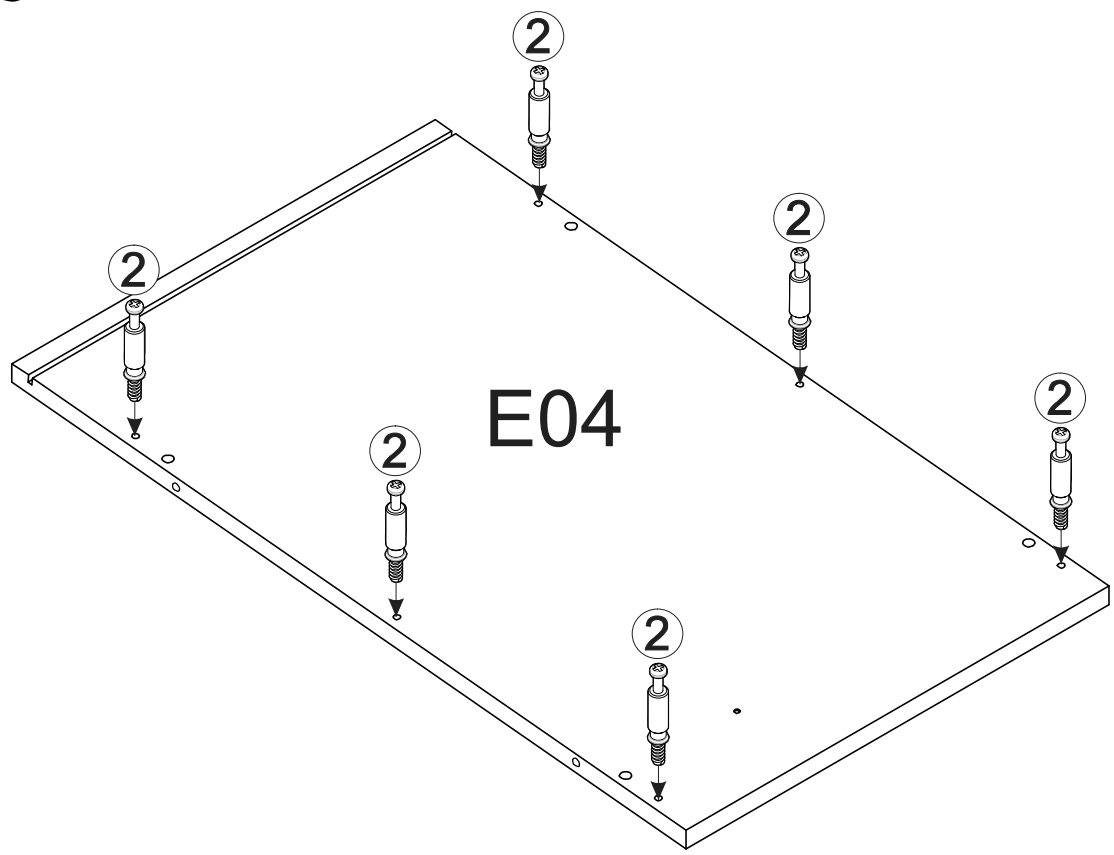


| A | B (mm) | C (mm) | D (mm) | E | F |
|-----|--------|--------|--------|---|-----|
| E03 | 660 | 380 | 16 | 1 | 111 |
| E04 | 660 | 380 | 16 | 1 | 111 |
| E21 | 642 | 640 | 16 | 1 | 111 |
| E22 | 642 | 640 | 16 | 1 | 111 |
| E30 | 652 | 374 | 3 | 1 | 111 |
| E40 | 670 | 374 | 16 | 1 | 111 |

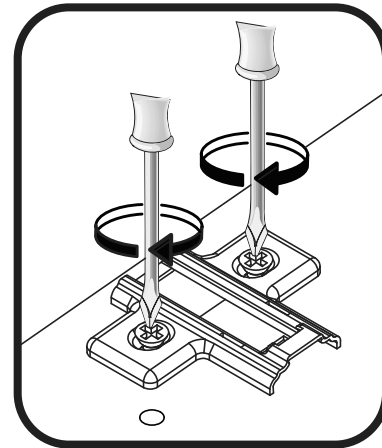
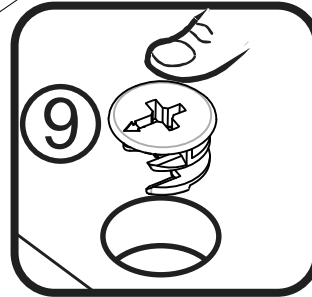
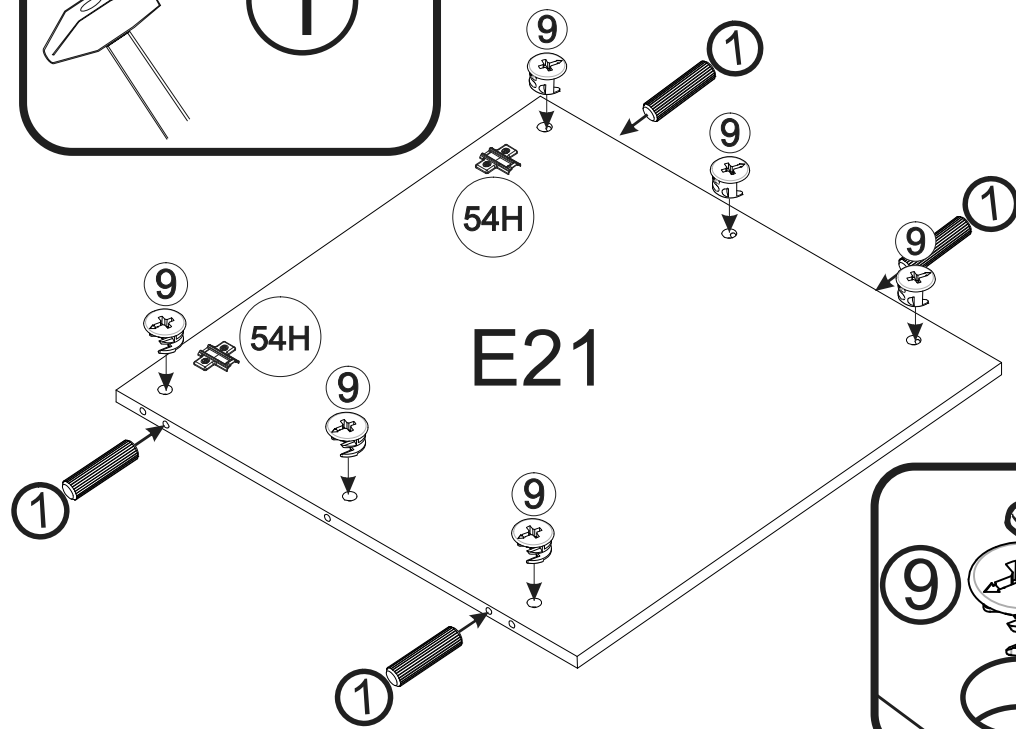
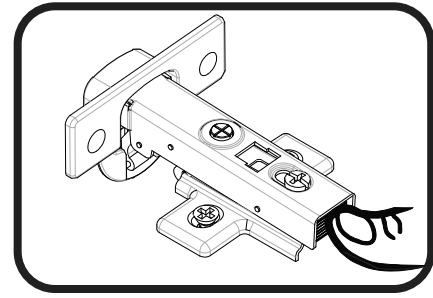
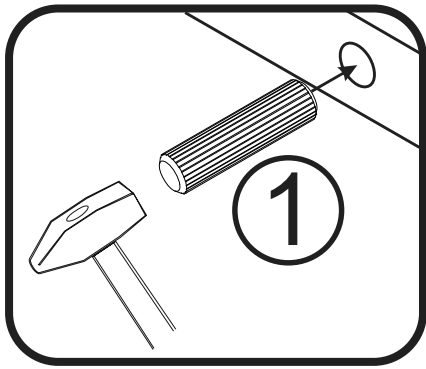
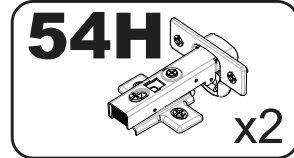
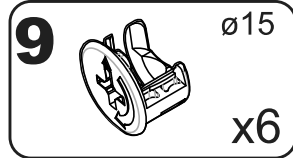
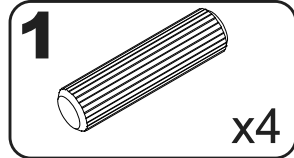
1



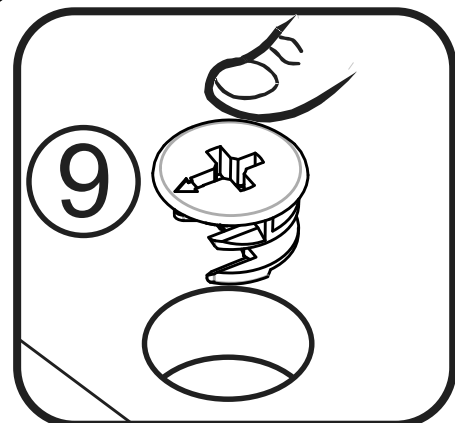
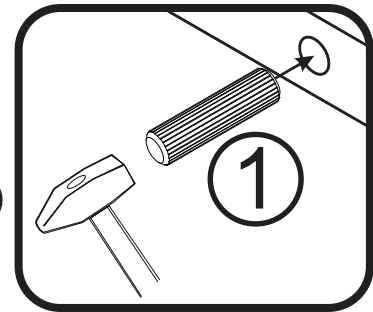
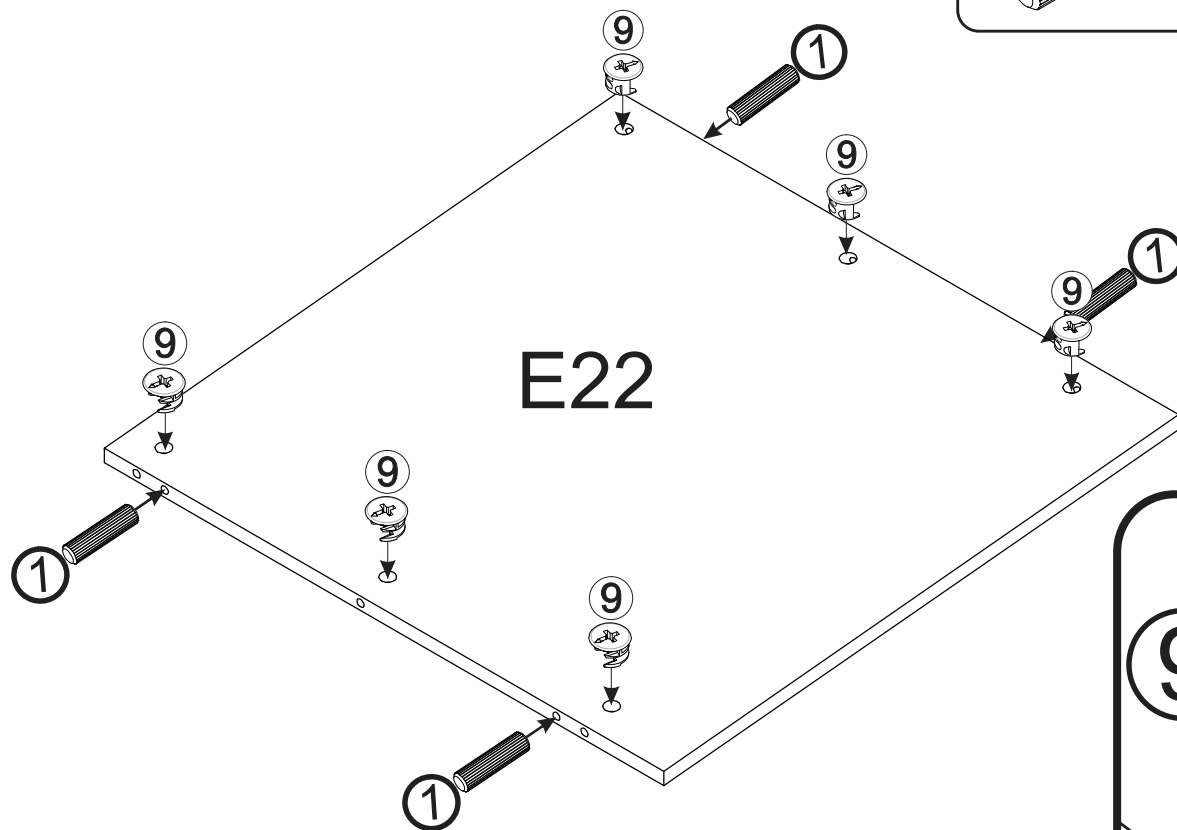
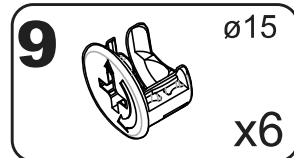
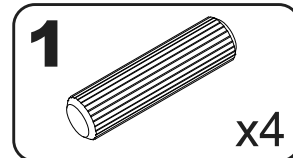
2



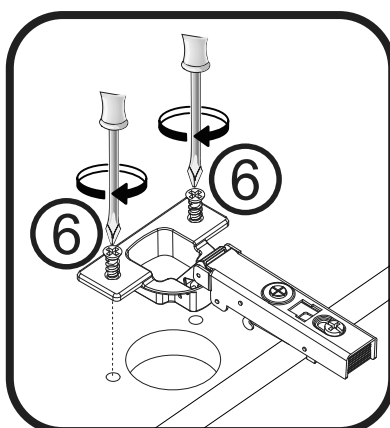
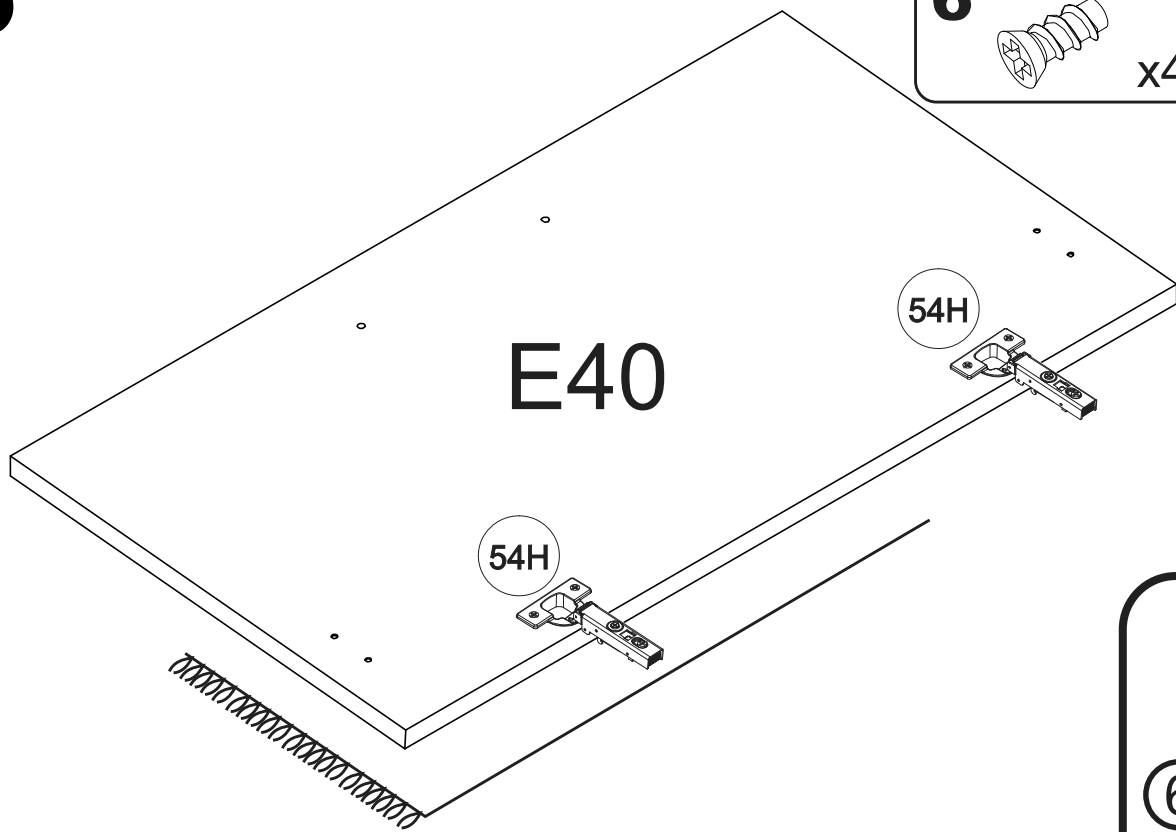
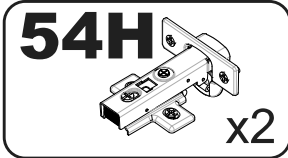
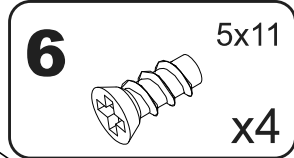
3



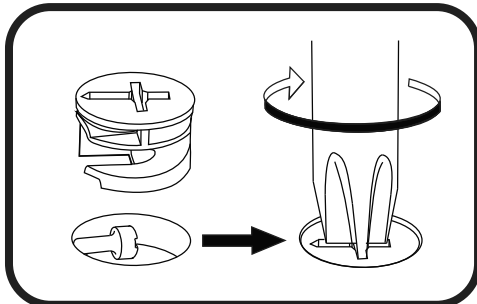
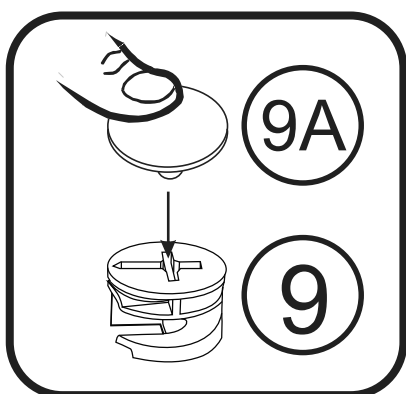
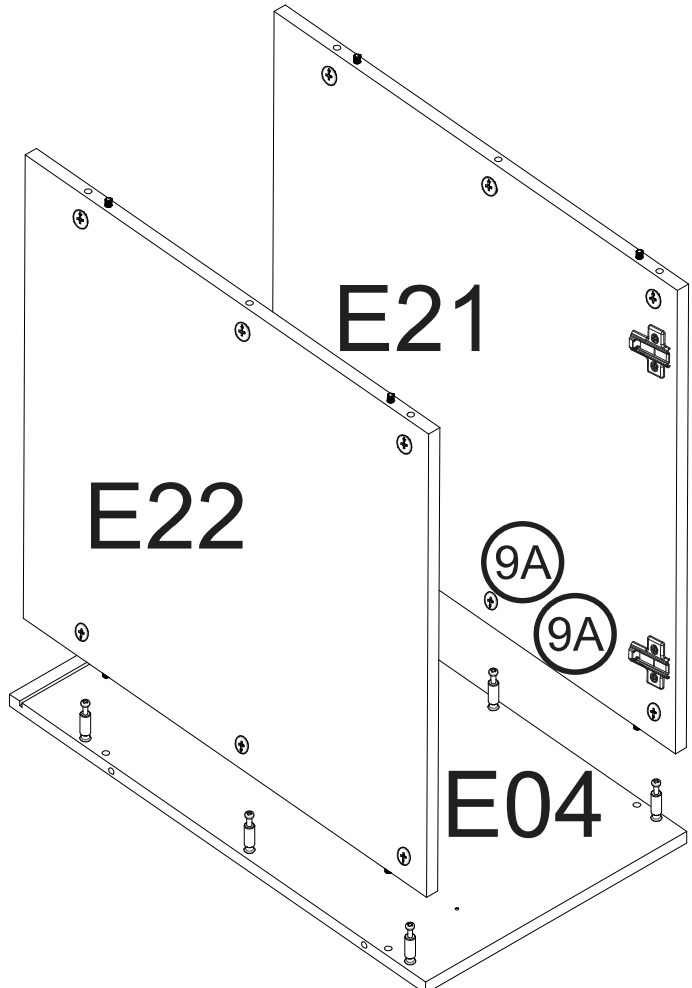
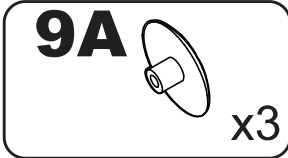
4



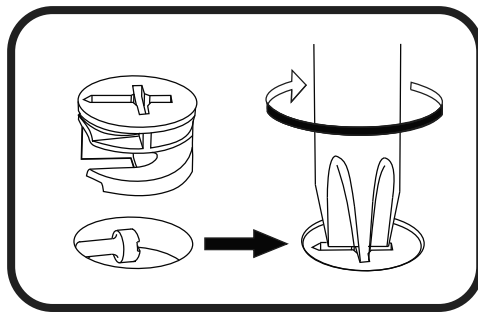
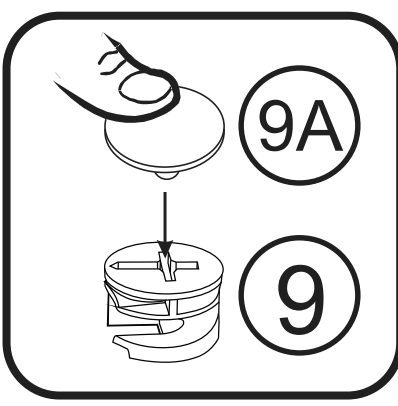
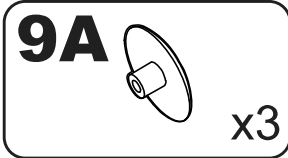
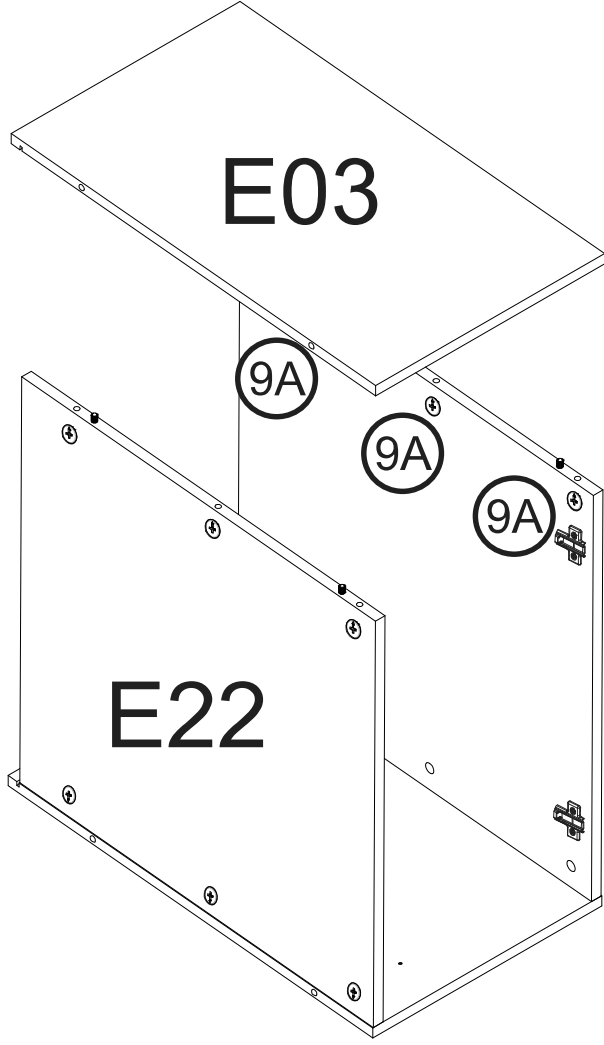
5



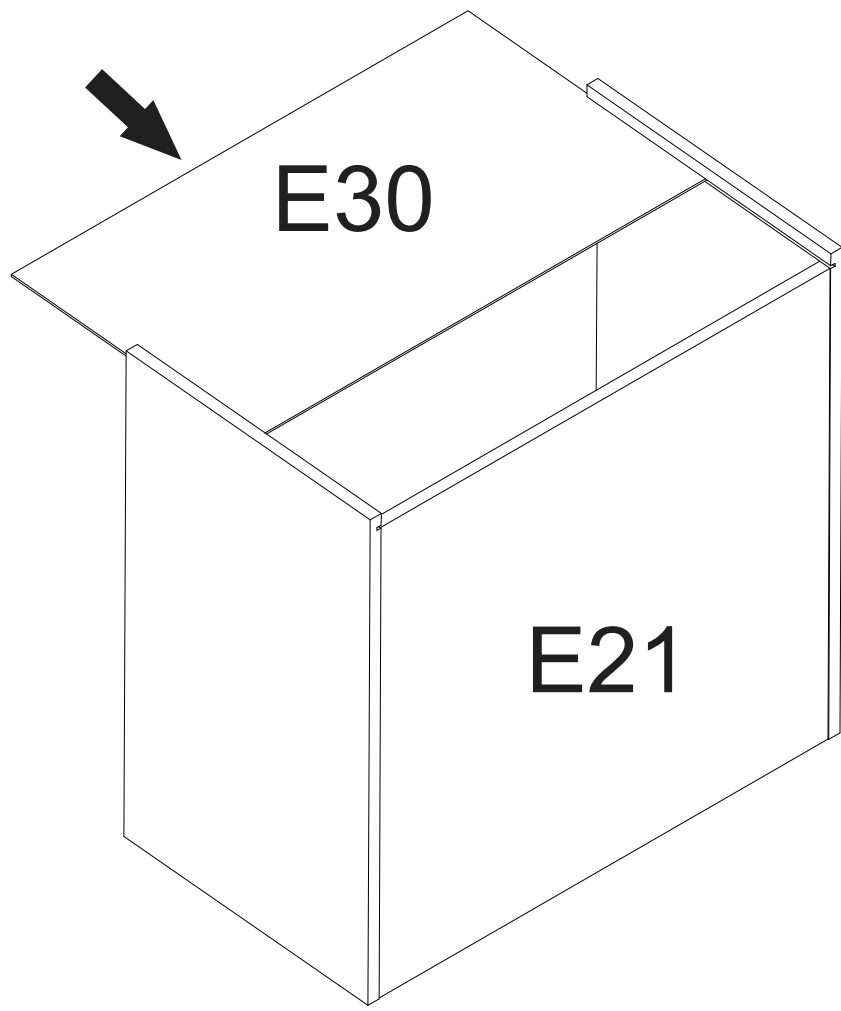
6



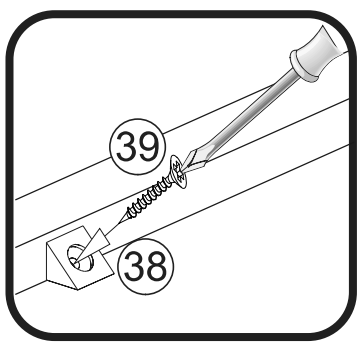
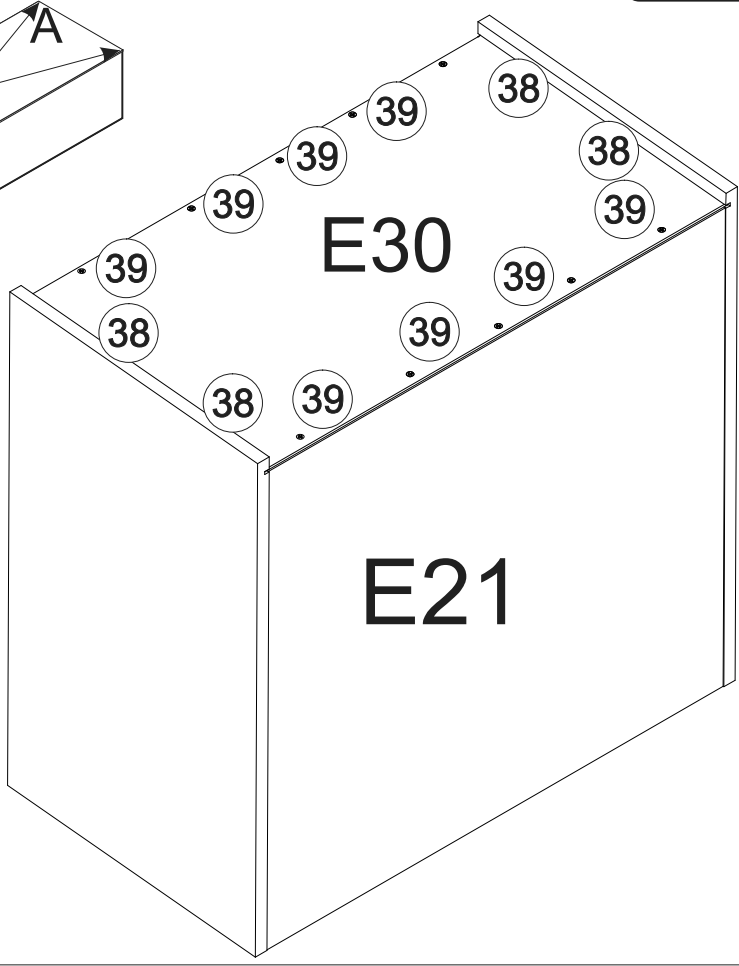
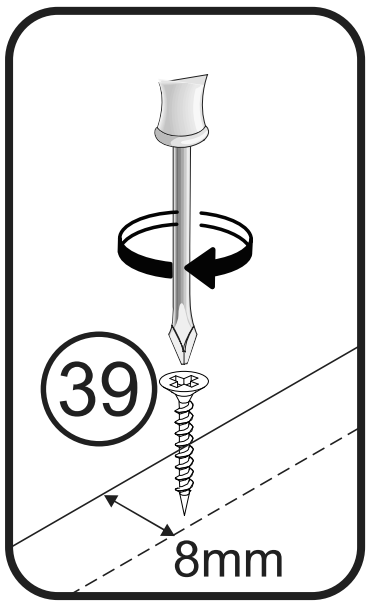
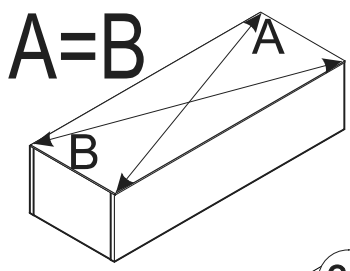
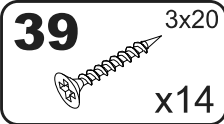
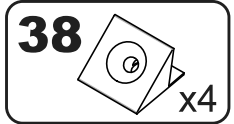
7



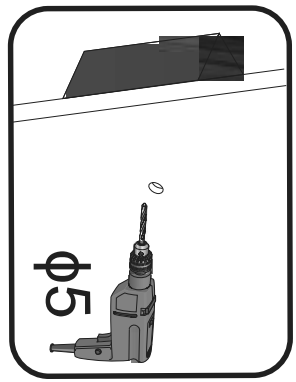
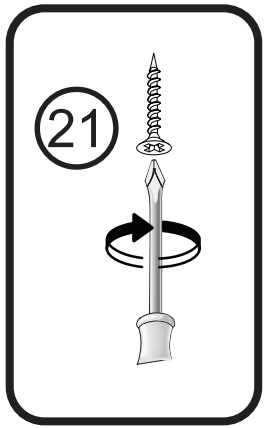
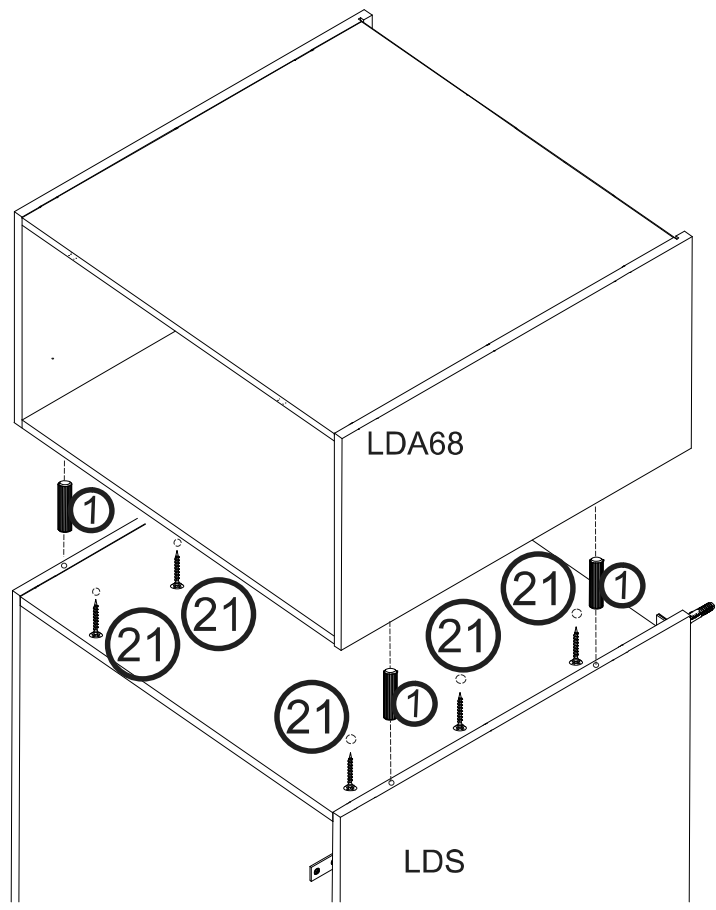
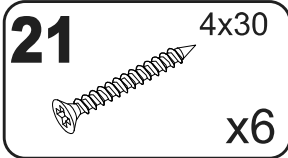
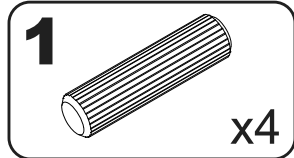
8



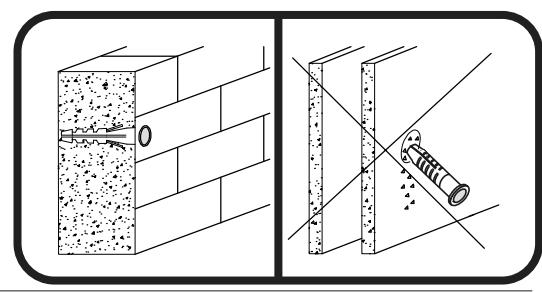
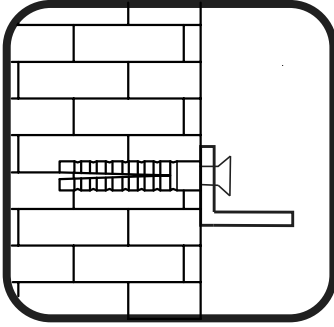
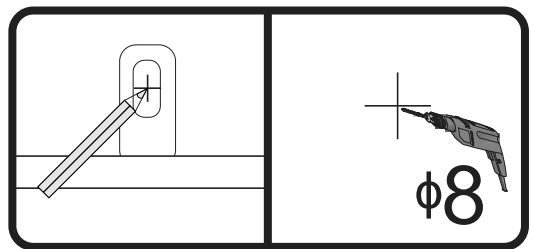
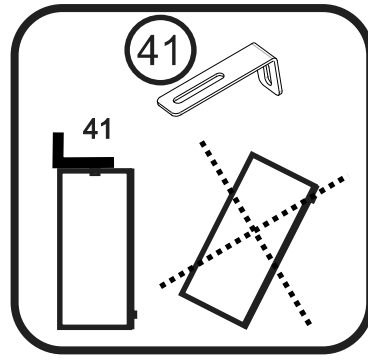
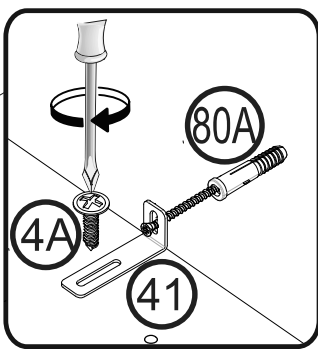
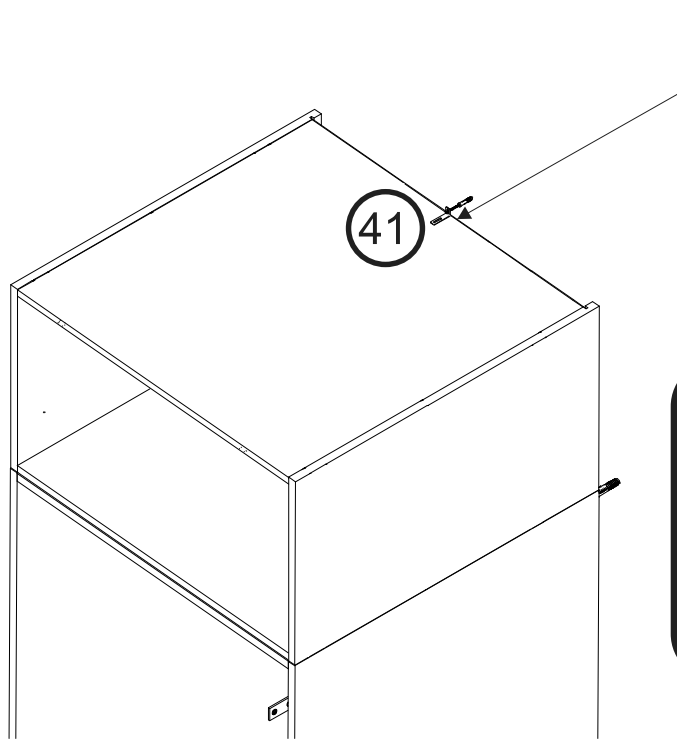
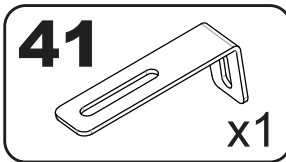
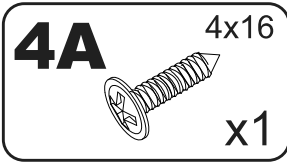
9



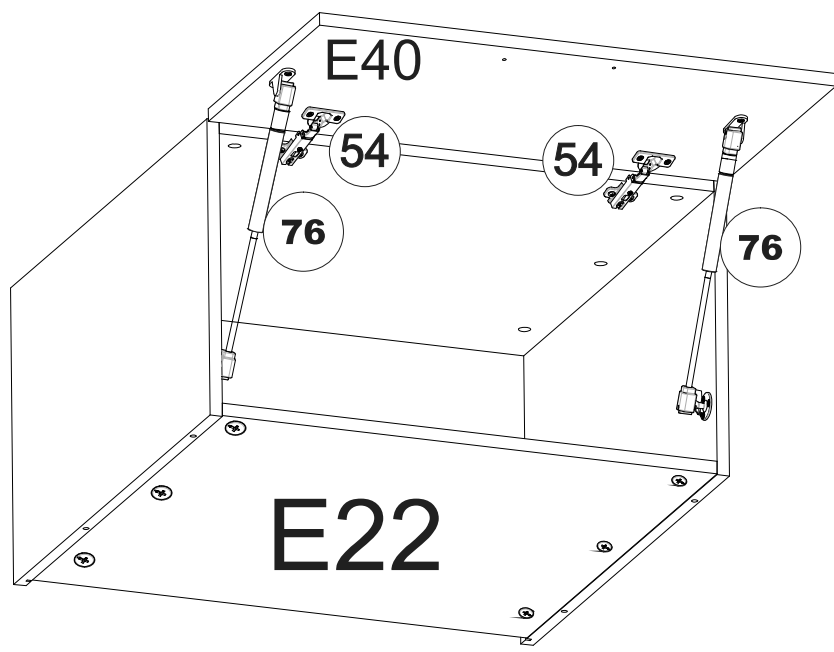
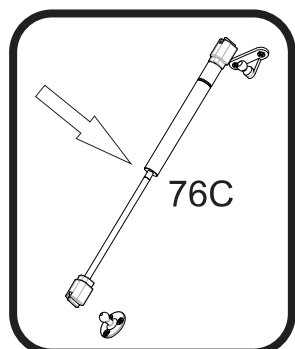
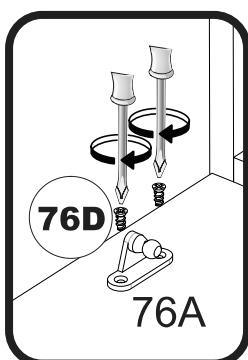
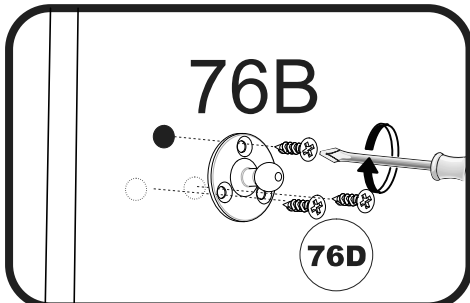
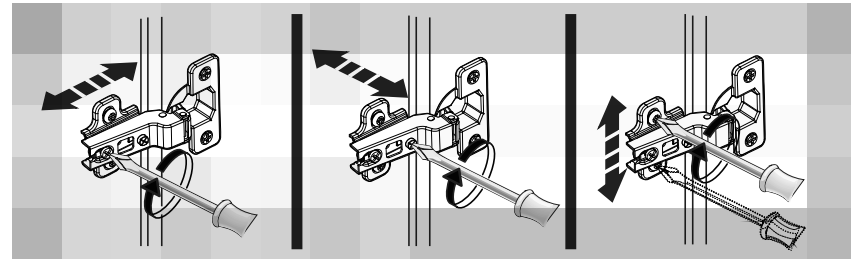
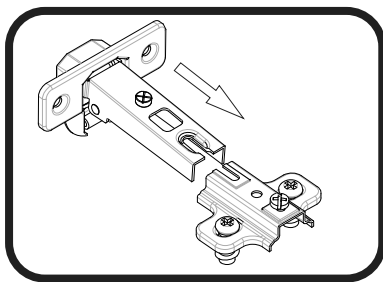
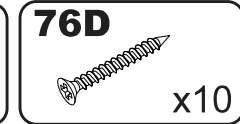
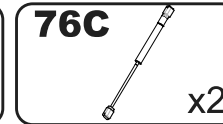
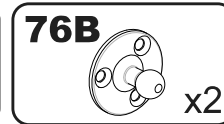
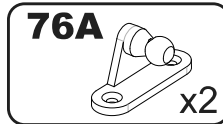
10



11



12



13

3  x1

68  M4x25 x2

