
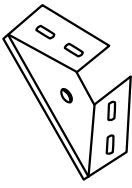
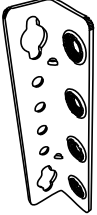


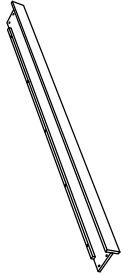
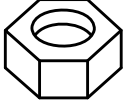

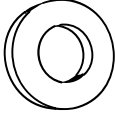
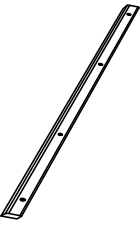
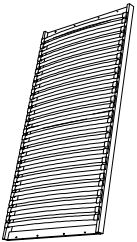
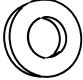





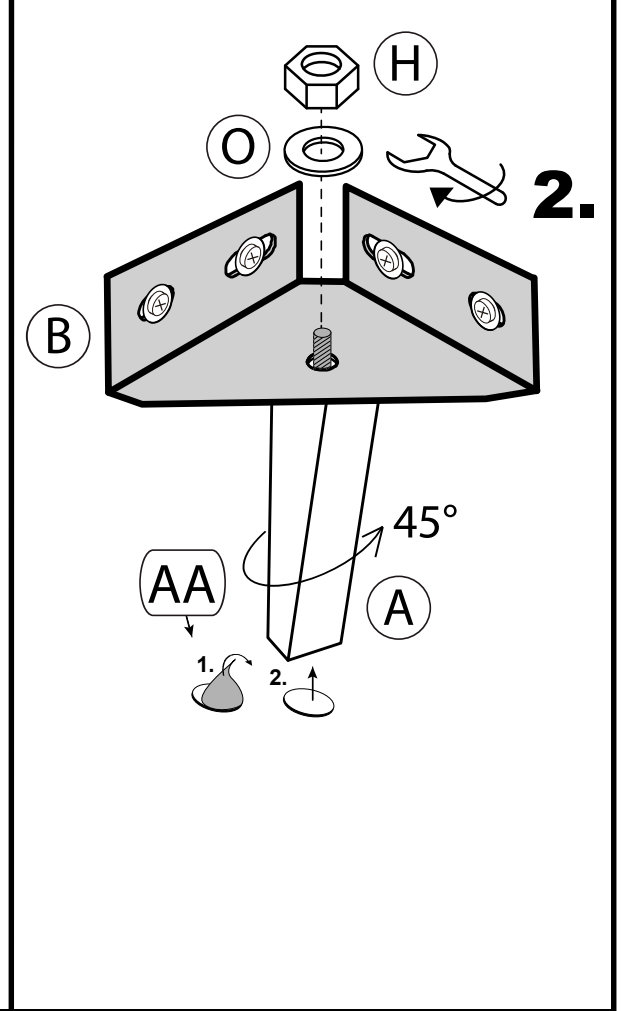
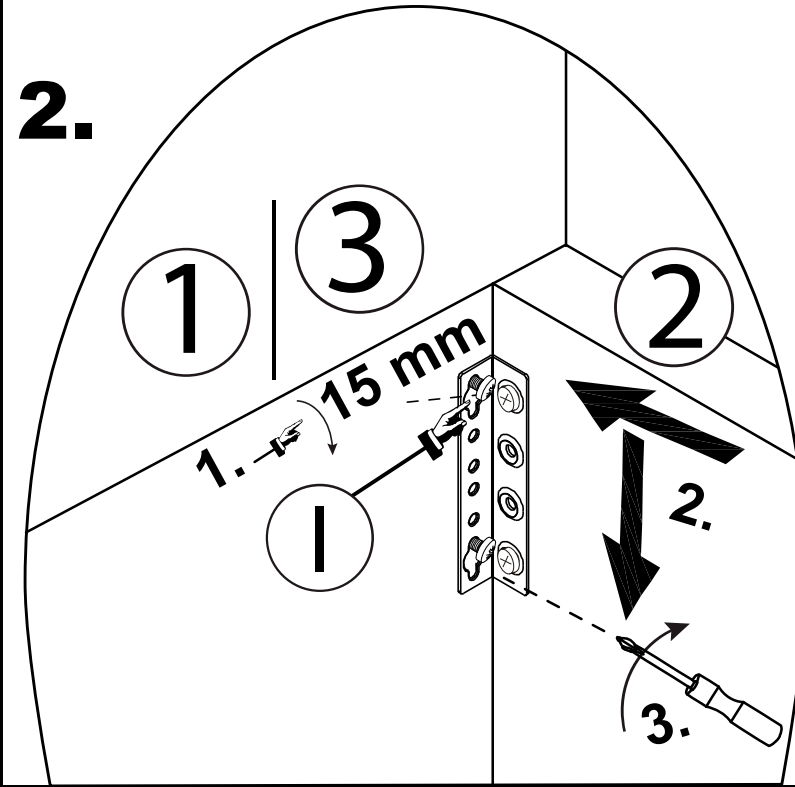
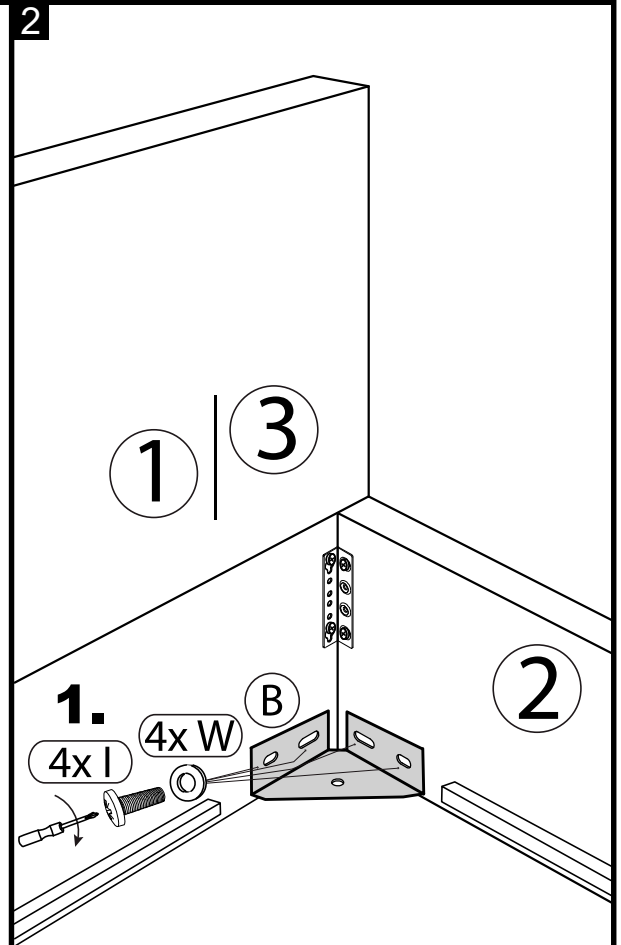
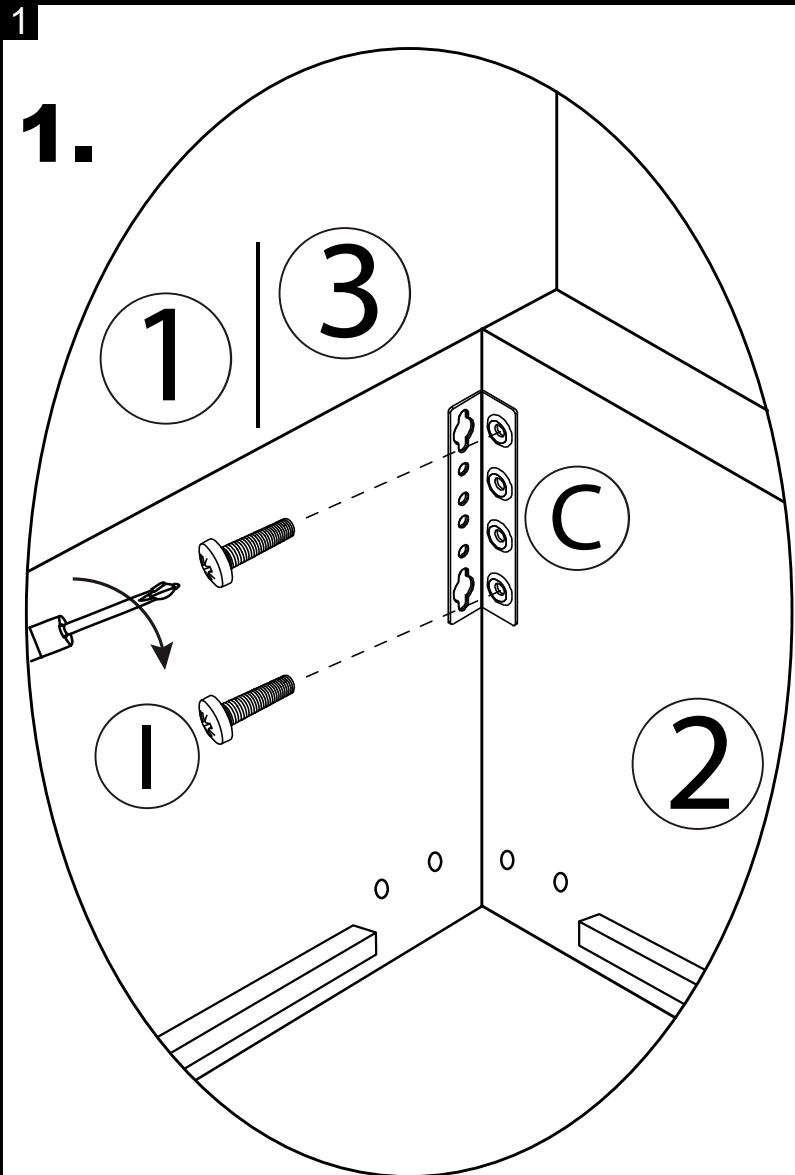
PRIMAVERA by meise

160 cm
 180 cm
 200 cm

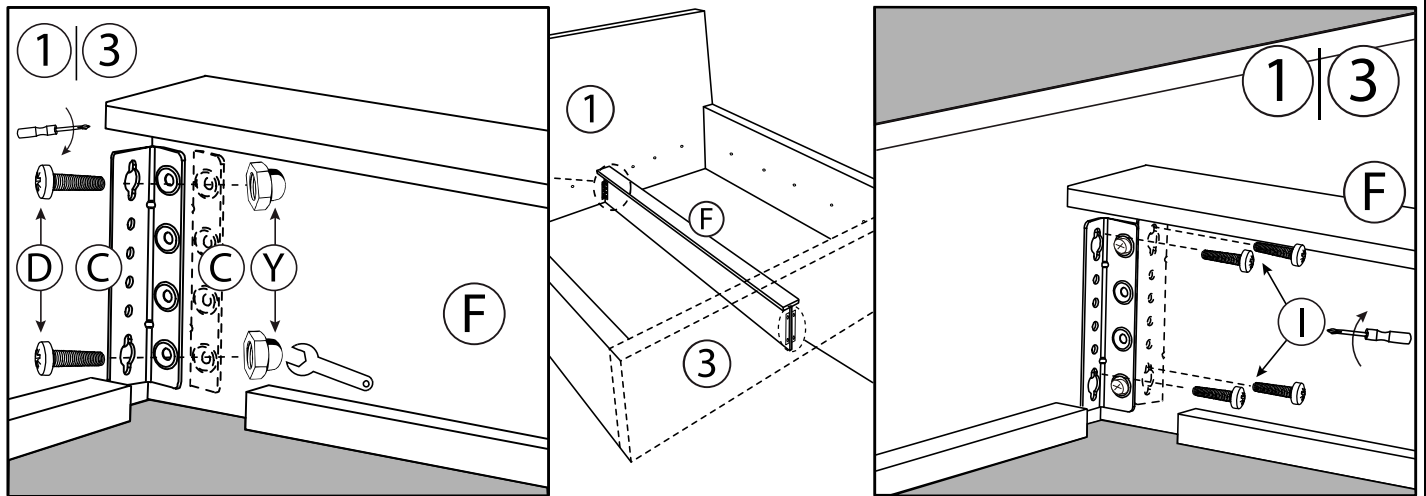
| A-21 | B-21 | C-21 | D-21 | E-21 | F-21 | G-21 | H-21 | I-21 |
|------------------------------------------------------------------------------------|-----------------------------------------------------------------------------------|-------------------------------------------------------------------------------------|-------------------------------------------------------------------------------------|-----------------------------------------------------------------------------------|--------------------------------------------------------------------------------------|------|---------------------------------------------------------------------------------------|---------------------------------------------------------------------------------------|
| 4 | 4 | 8 | 4 | 8 | 1 | - | 4 | 40 |
|  |  |  |  |  |  | - |  |  |
| H 195 | | | M6*30 | M6*45 | 2000*145*70 | | M8 | M6*20 |
| J-21 | K-21 | LL/LR-21 | M-21 | N-21 | O-21 | P-21 | Q-21 | R-21 |
| - | - | - | - | - | 4 | - | - | - |
| - | - | - | - | - |  | - | - | - |
| | | | | | M8 | | | |
| S-21 | T-21 | U-21 | W-21 | X-21 | Y-21 | Z-21 | AA-21 | AB-21 |
| 2 | - | 2 | 16 | - | 4 | - | 4 | 1 Set |
|  | - |  |  | - |  | - |  |  |
| 1800*40*30 | | 160/180/200: 79/89/99*195cm | M6 | | M6 | | | |



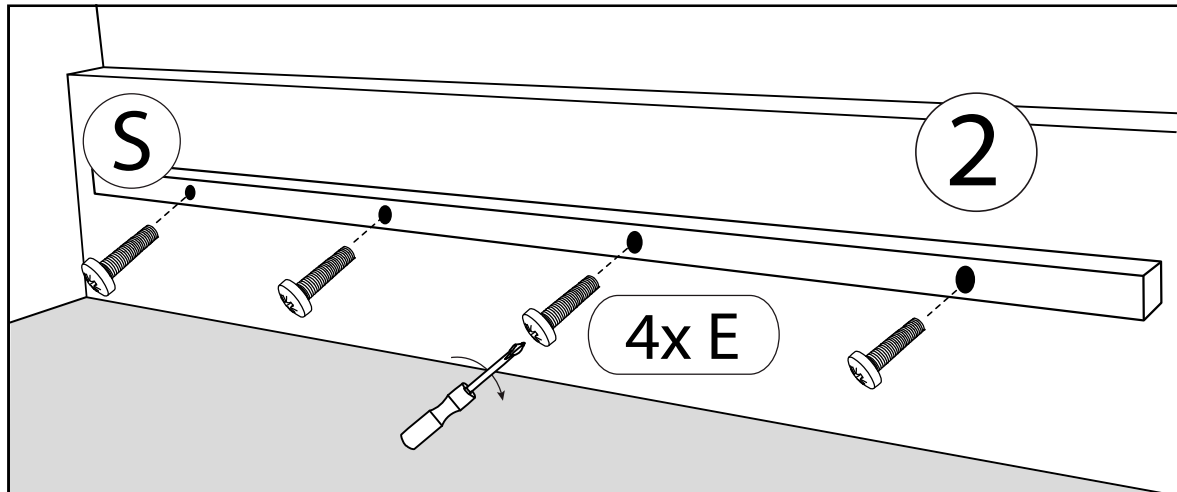
| | | | | | | | | | |
|-------------------------------------------------------------------------------------|-------------------------------------------------------------------------------------|-----------------------------------------------------------------------------------------------|-------------------------------------------------------------------------------------------|-------------------------------------------------------------------------------------|----------------------------------------------------------------------------------------------------------|--------------------------------------------------------------------------------------|---------------------------------------------------------------------------------------|--|--|
|  |  |  45 min |  10/13 |  |  < 120 KG < 120 KG |  |  | | |
|-------------------------------------------------------------------------------------|-------------------------------------------------------------------------------------|-----------------------------------------------------------------------------------------------|-------------------------------------------------------------------------------------------|-------------------------------------------------------------------------------------|----------------------------------------------------------------------------------------------------------|--------------------------------------------------------------------------------------|---------------------------------------------------------------------------------------|--|--|



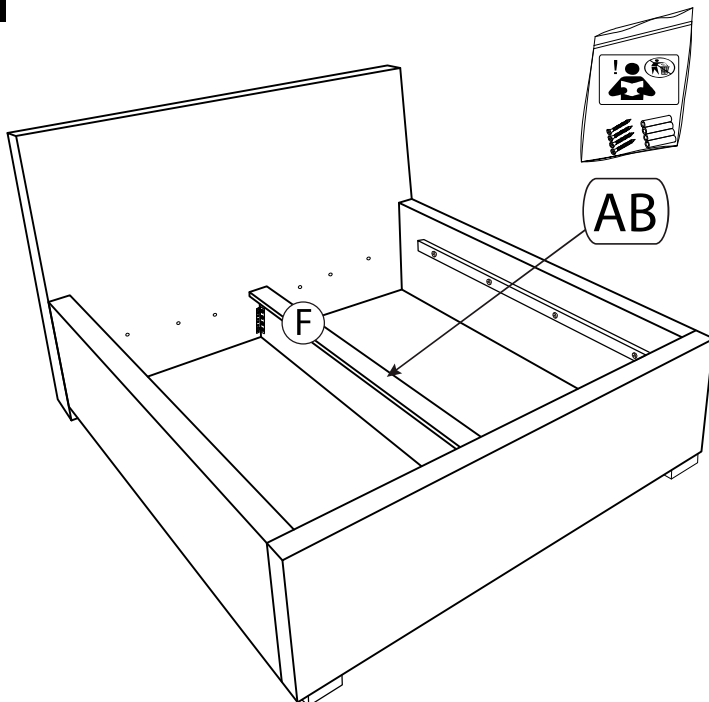
3



4



5



6



Freestyle

