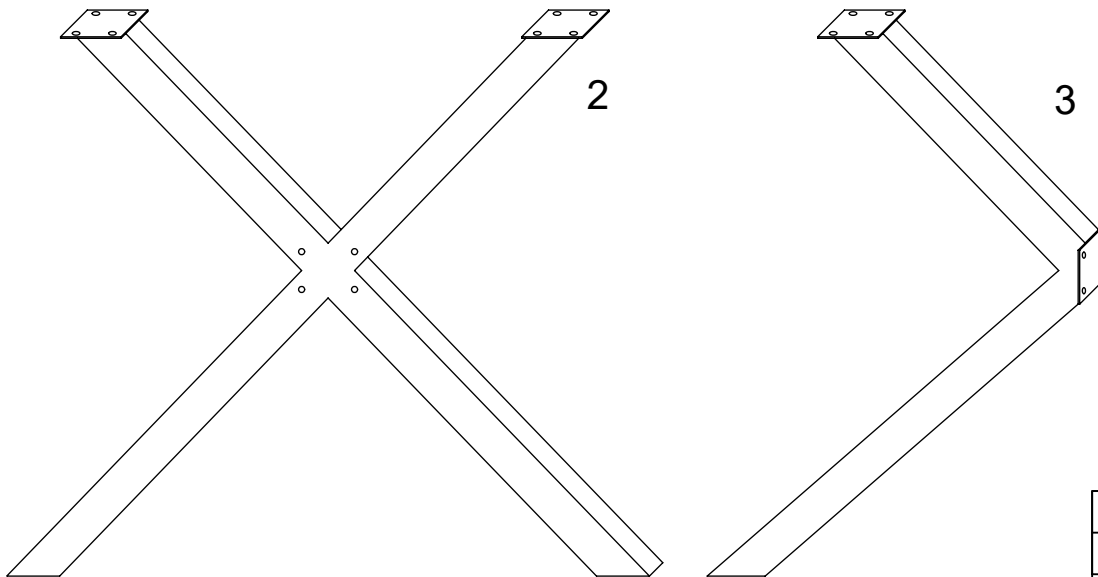
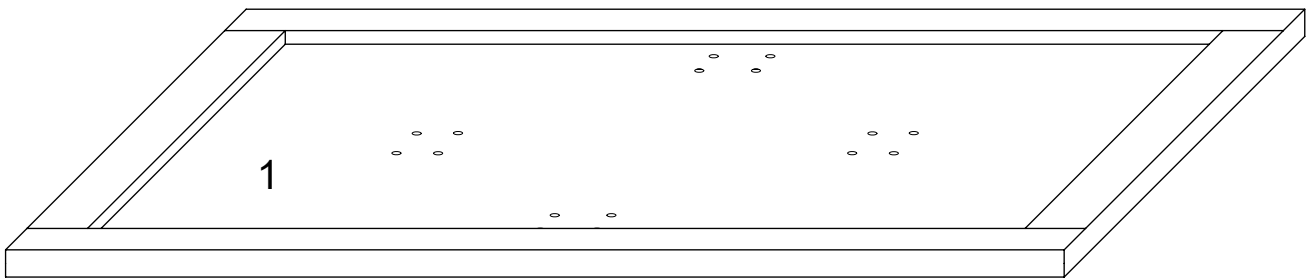
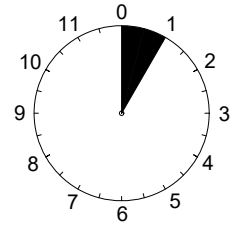
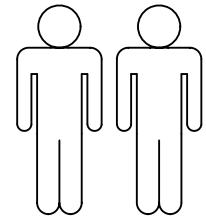
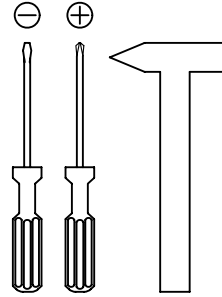
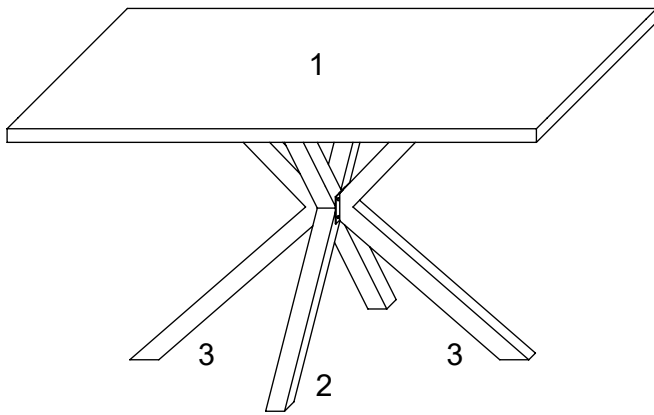


"Cleo"

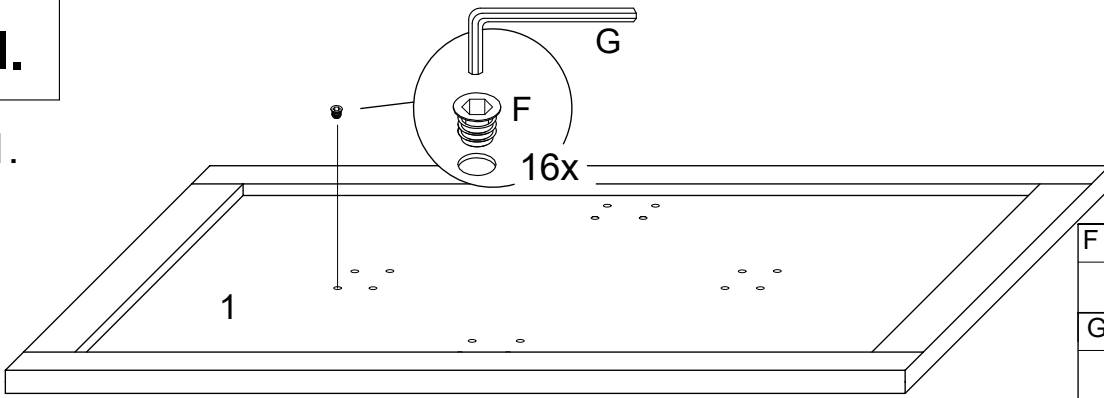







1	1x	1/2
2	1x	2/2
3	2x	2/2

A	M6x16 24x	B	D13*D6.5*1.5mm 8x	C	 4x	D	SW 4 1x	E	D18*D6.5*1.5mm 16x	F	M6 12x13 16x
G	SW 6 1x										

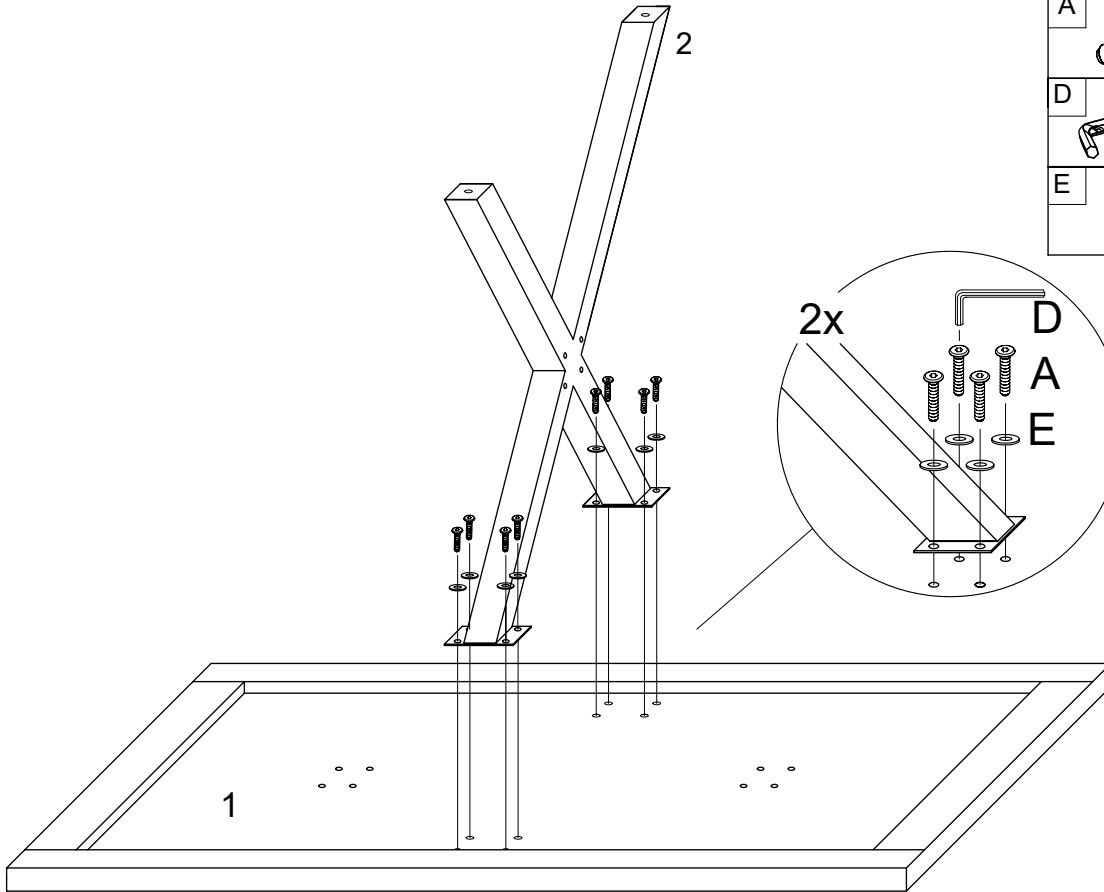
I.

1.

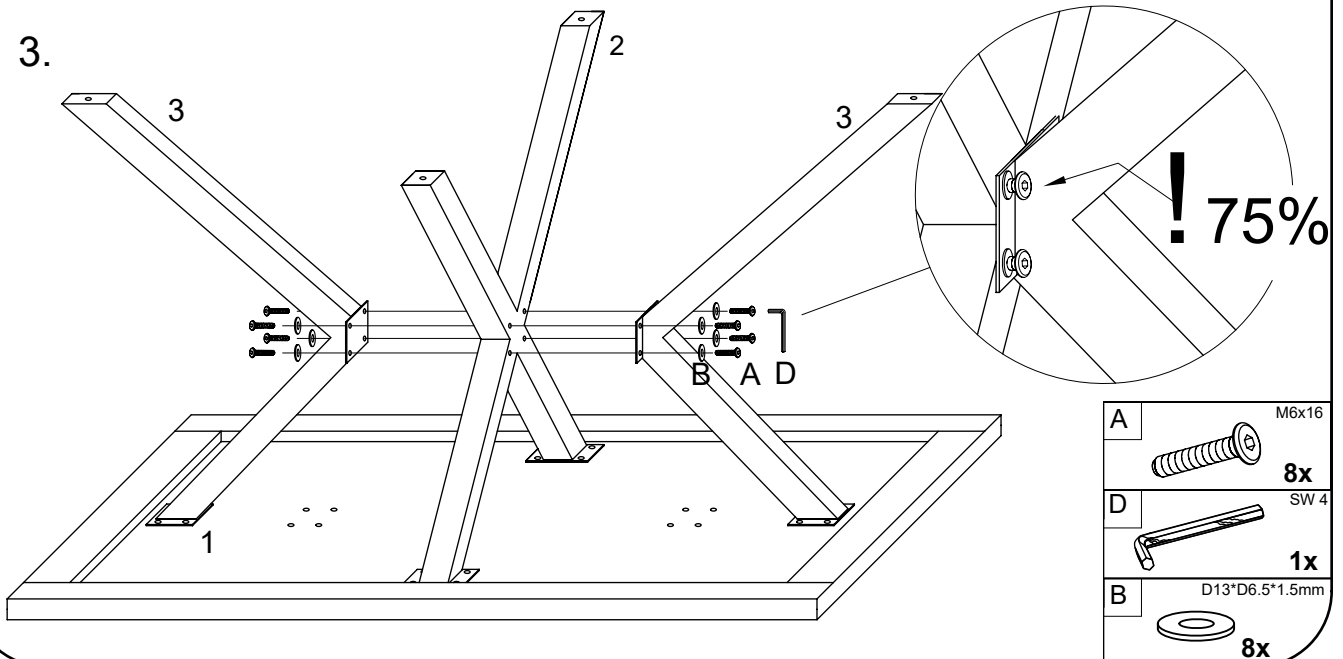


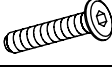


F	M6 12x13		16x
G	SW 6		1x
A	M6x16		8x
D	SW 4		1x
E	D18*D6.5*1.5mm		8x

2.

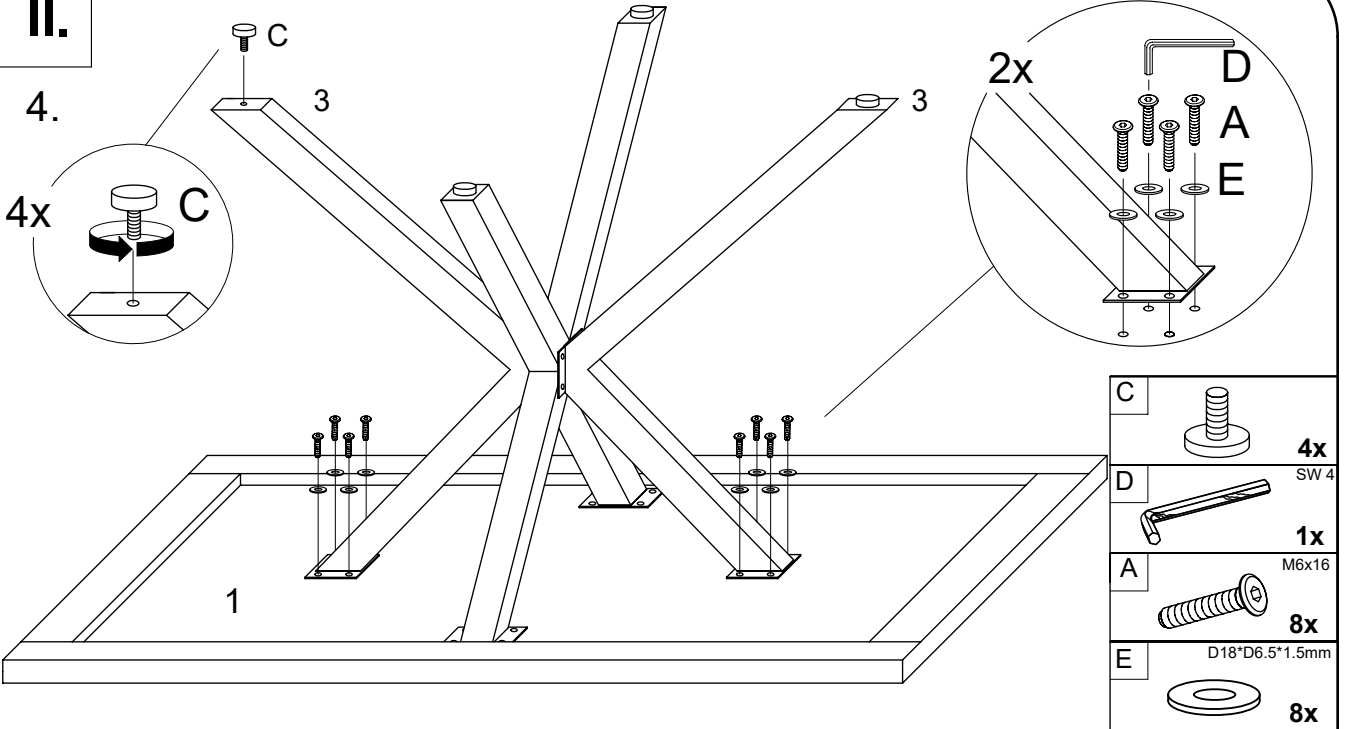


3.



A	M6x16		8x
D	SW 4		1x
B	D13*D6.5*1.5mm		8x

II.



5.

