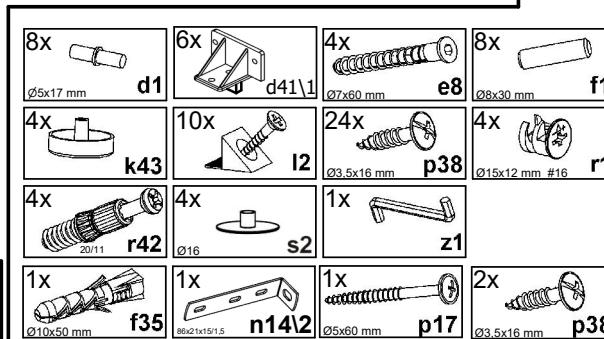
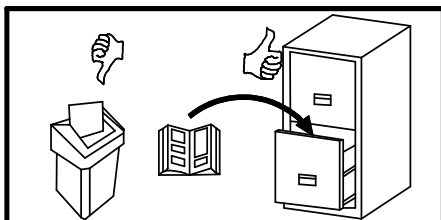
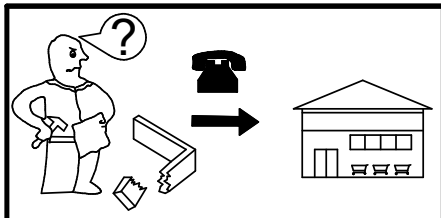
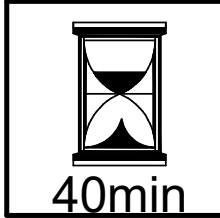
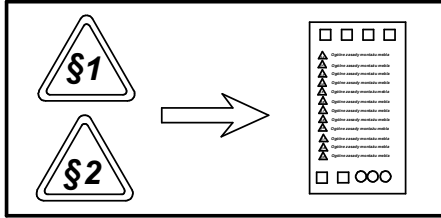
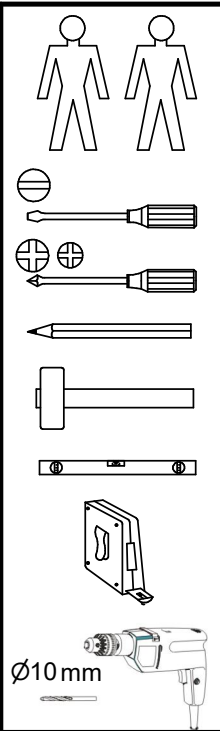
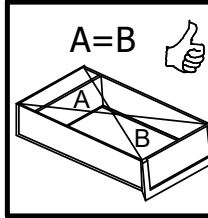
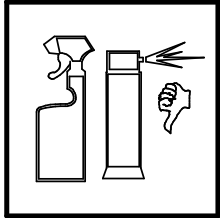
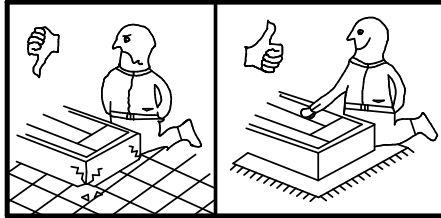
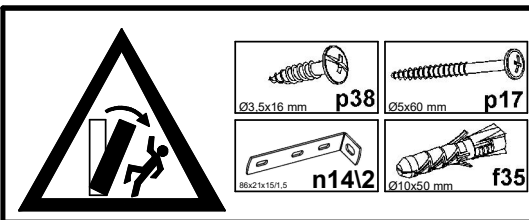
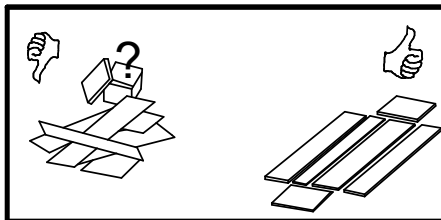
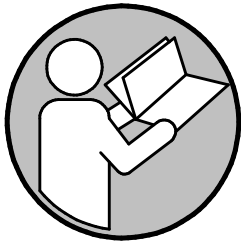


**A**

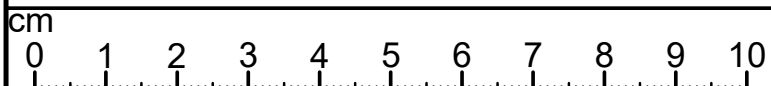
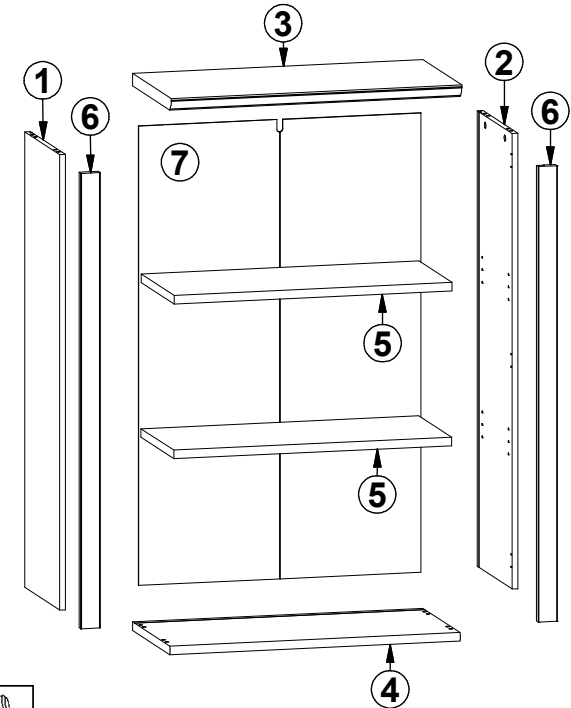
**S516-REG/12/8**

**011-D4**

1 / 5



| A | B         | C1   | C2  | C3  | D   |
|---|-----------|------|-----|-----|-----|
| 1 | S516-1001 | 1166 | 342 | 15  | 1/1 |
| 2 | S516-1002 | 1166 | 342 | 15  | 1/1 |
| 3 | S516-2001 | 760  | 380 | 32  | 1/1 |
| 4 | S516-2002 | 760  | 365 | 22  | 1/1 |
| 5 | S516-3001 | 727  | 322 | 22  | 1/1 |
| 6 | S516-5001 | 1166 | 50  | 19  | 1/1 |
| 7 | S516-9301 | 1176 | 739 | 2.5 | 1/1 |

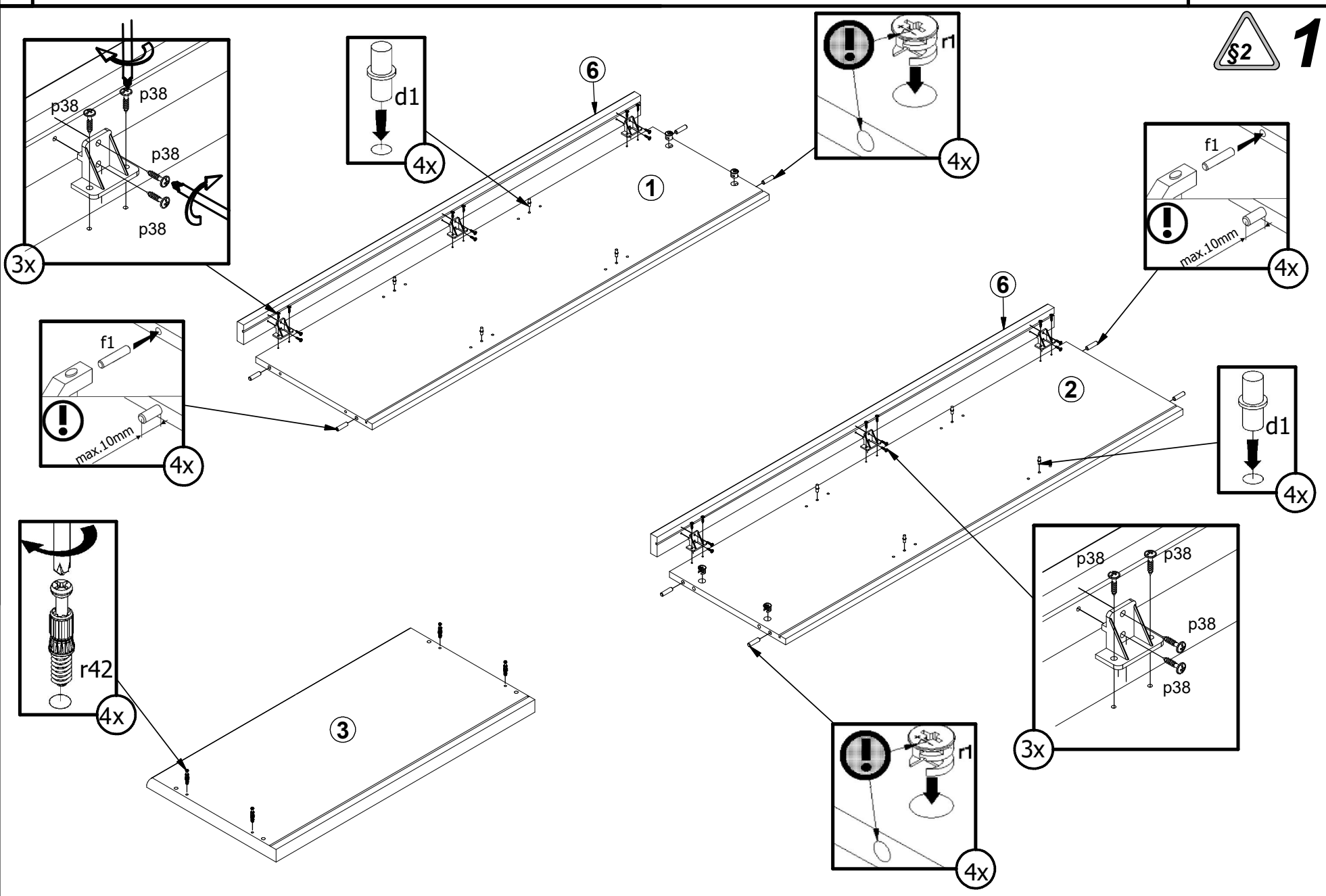


A

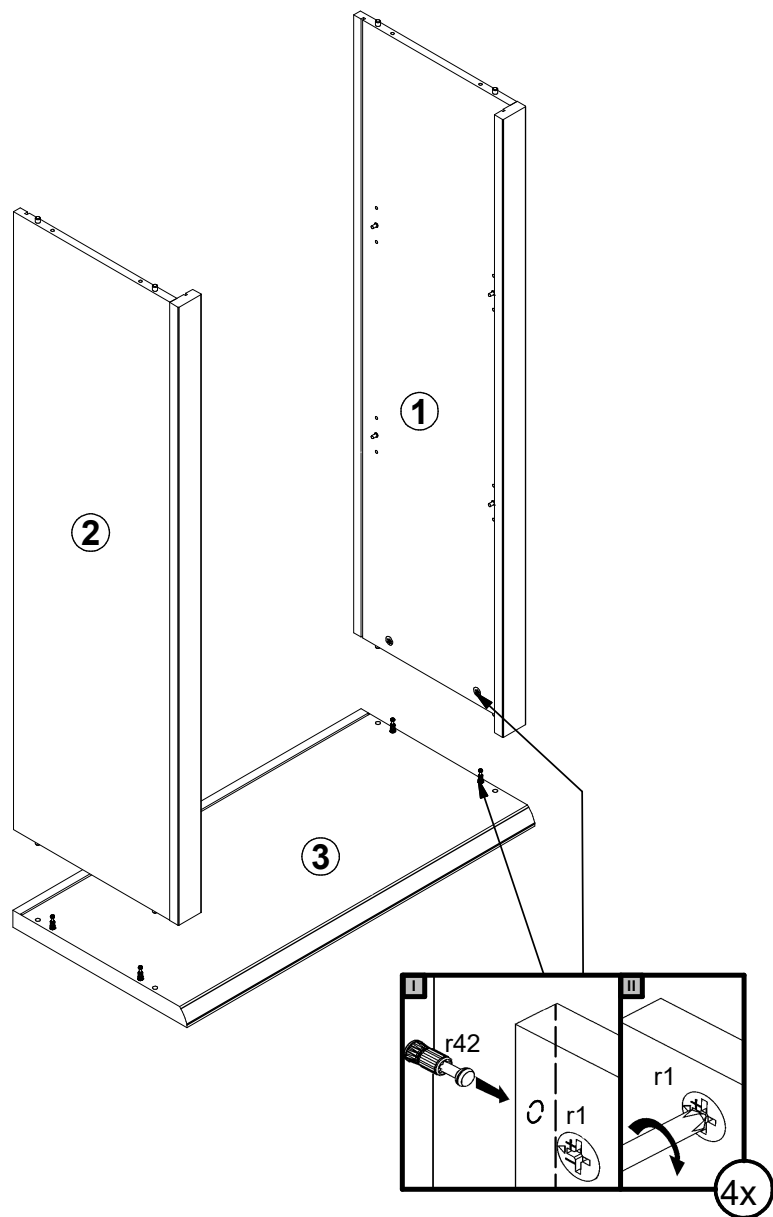
S516-REG/12/8

011-D4

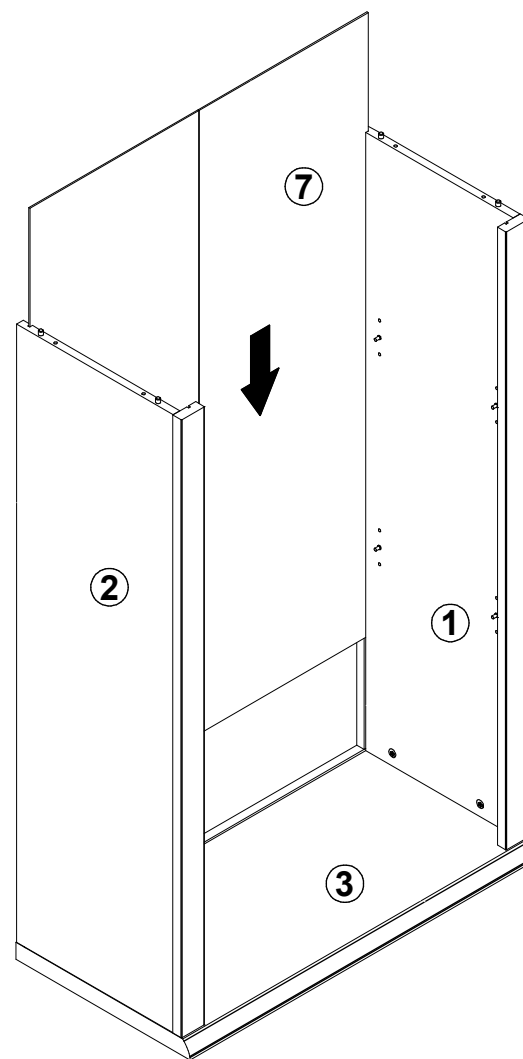
2 / 5



2



3



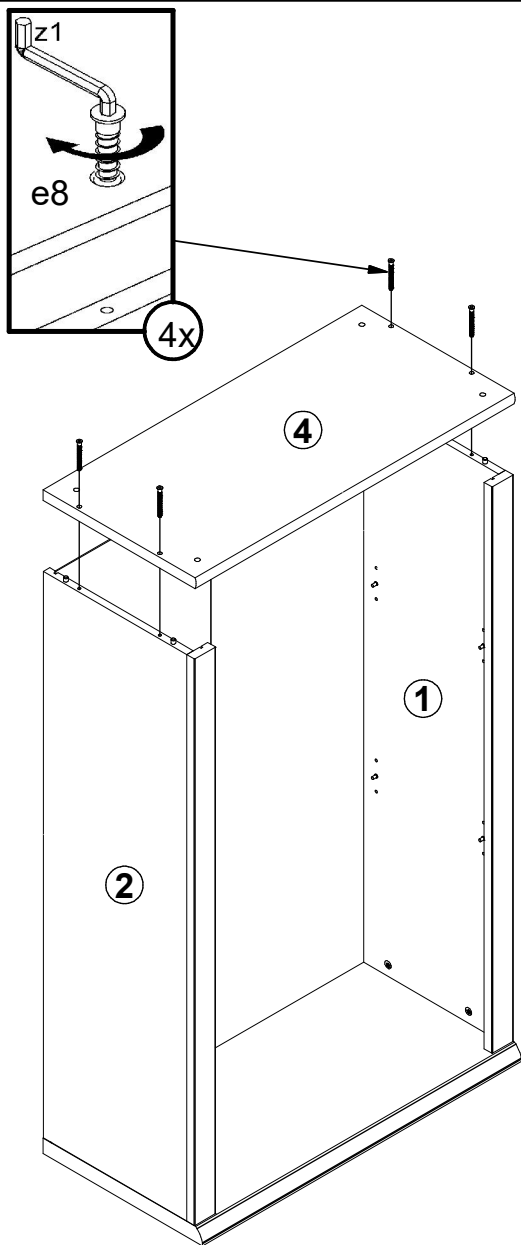
A

S516-REG/12/8

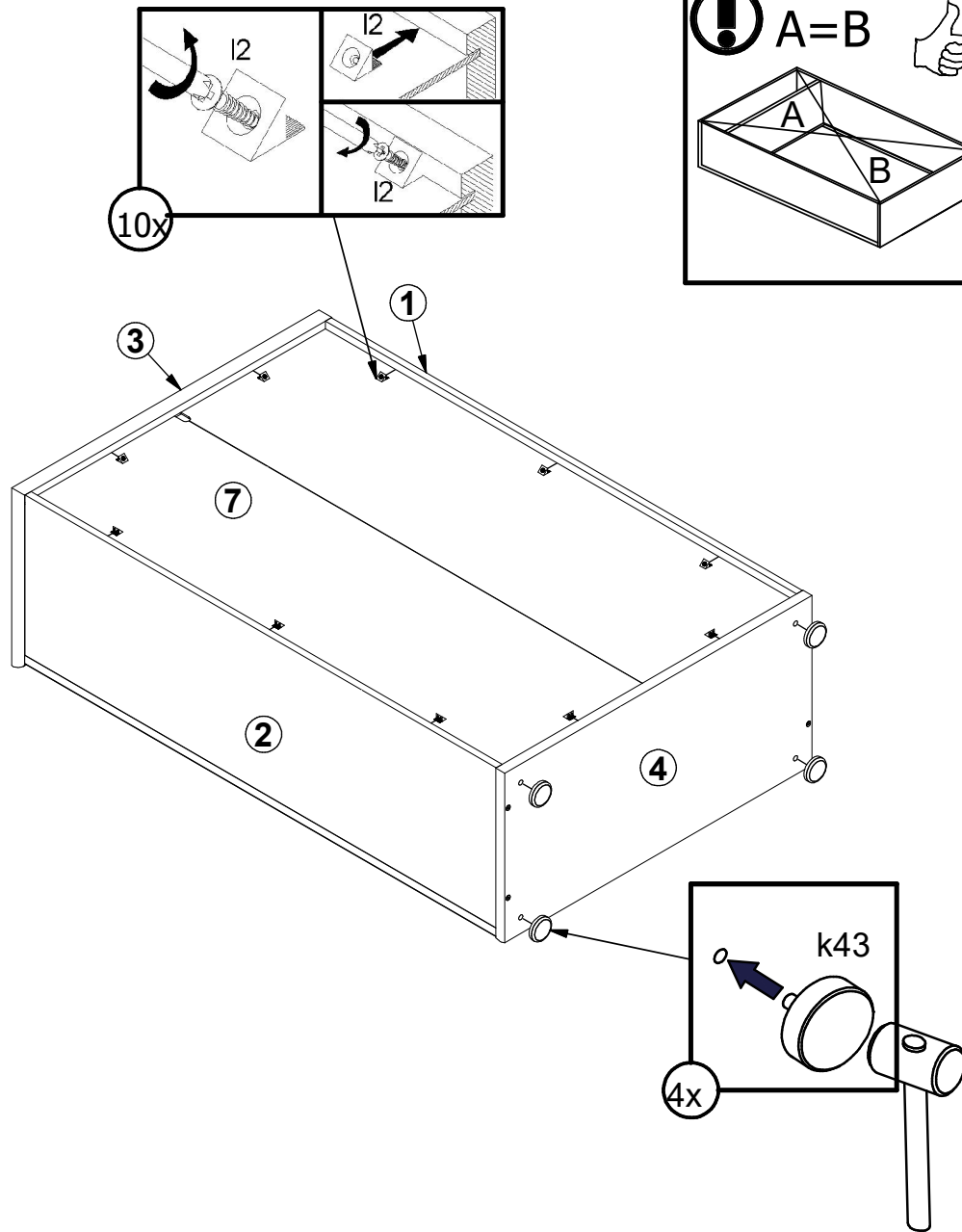
011-D4

4 / 5

4



5



# 6

