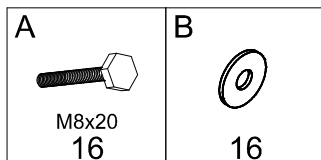
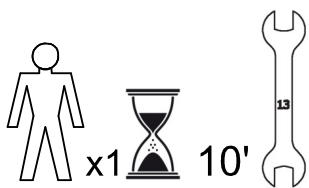
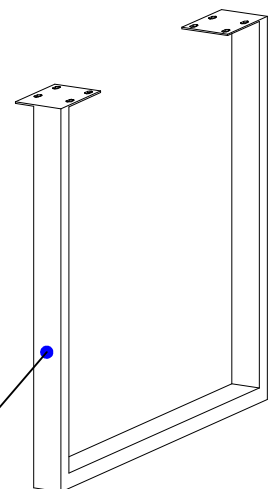
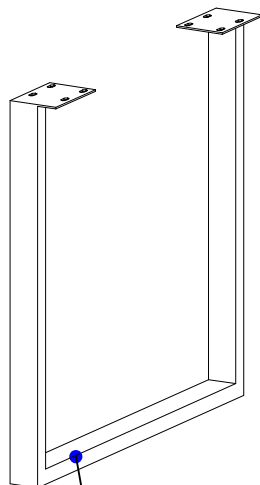
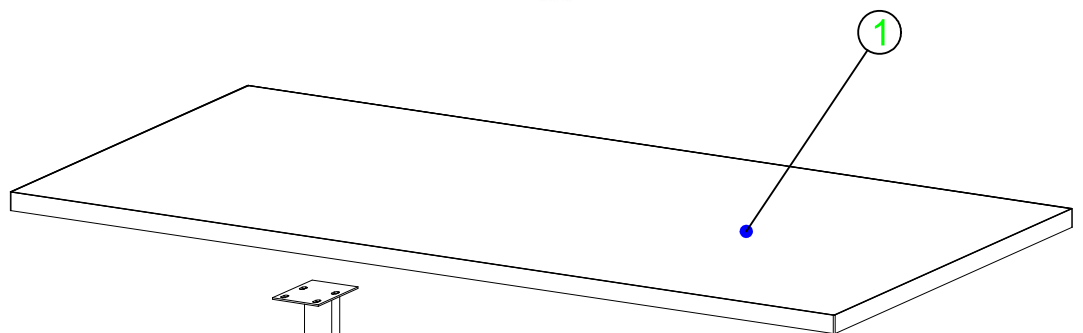
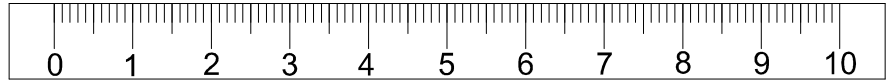
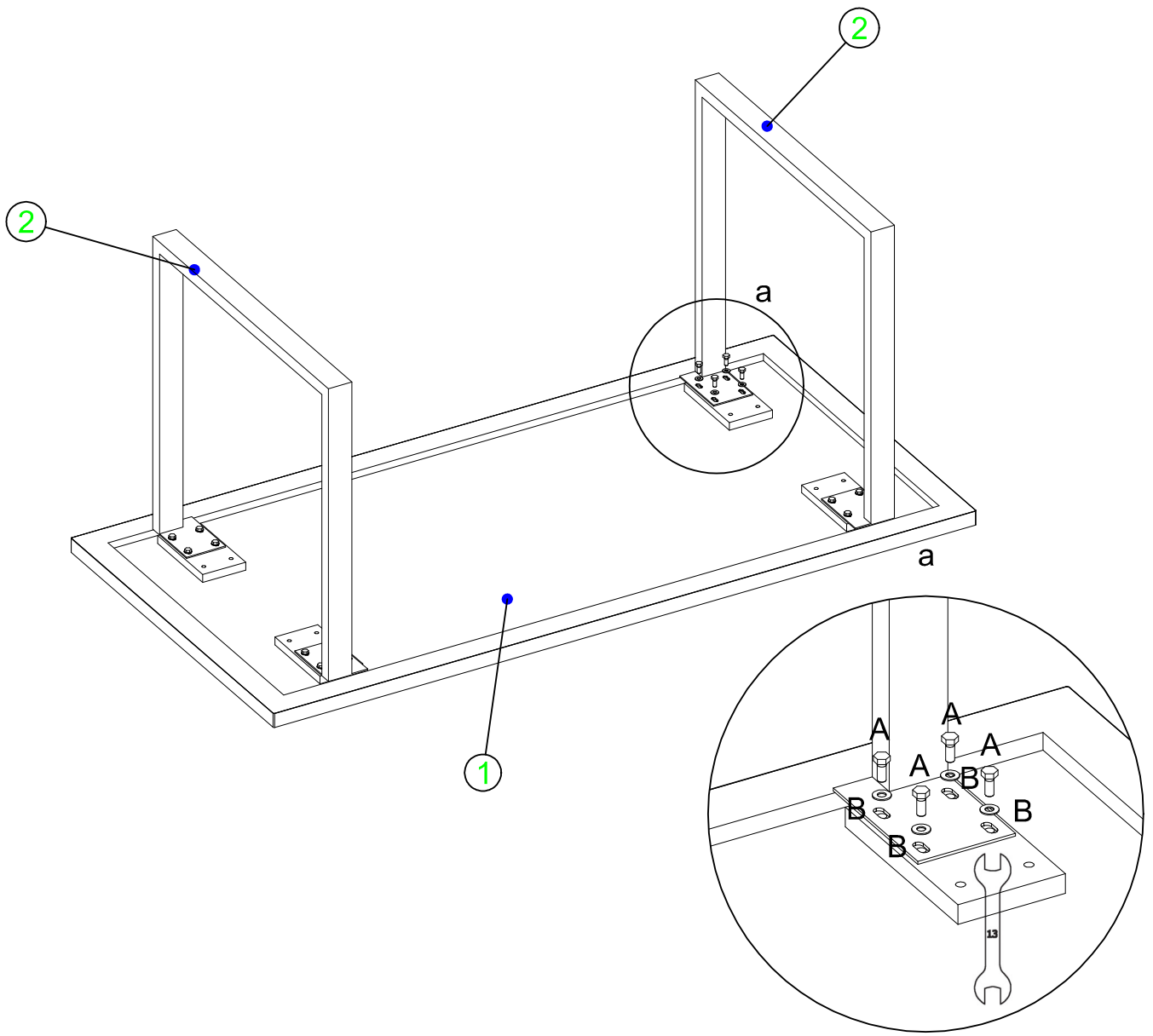


MONTAGEANLEITUNG ASSEMBLY INSTRUCTION





ESSTISCH MONTANA





I

<p>A</p> 	<p>B</p> 
<p>M8x20 16</p>	<p>16</p>