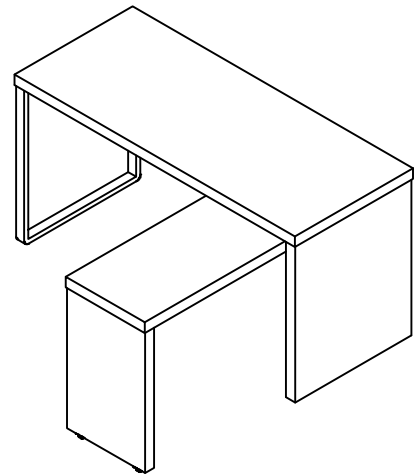
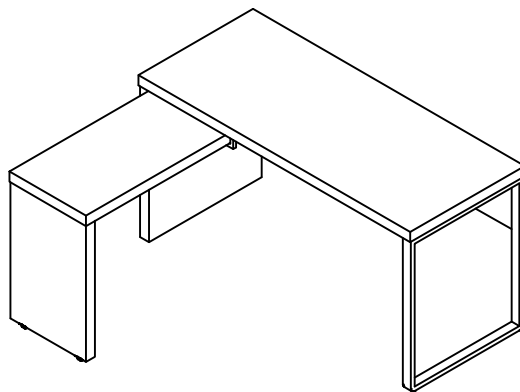


Art. Nr. 7453 6958

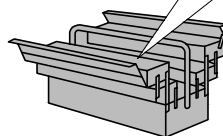
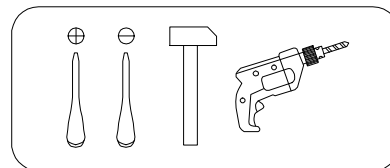
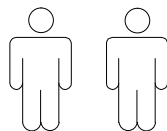
HNO-013




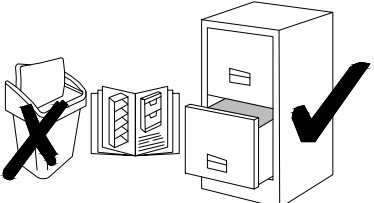
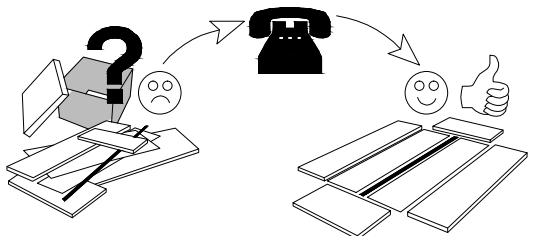
- (D) Montageanleitung
- (FR) Notice de montage
- (NL) Handleiding voor de montage
- (CZ) Montážní návod
- (HU) Szerelési útmutató
- (TR) Montaj talimati

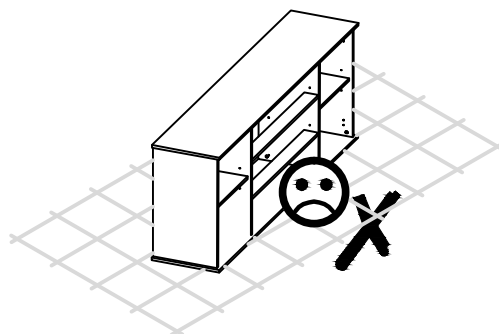
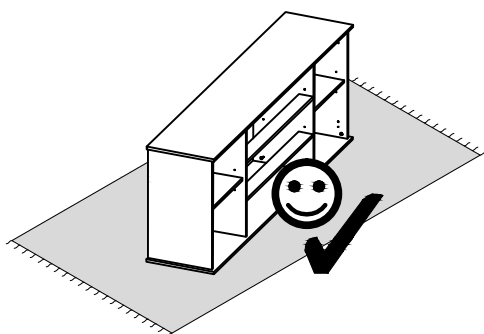
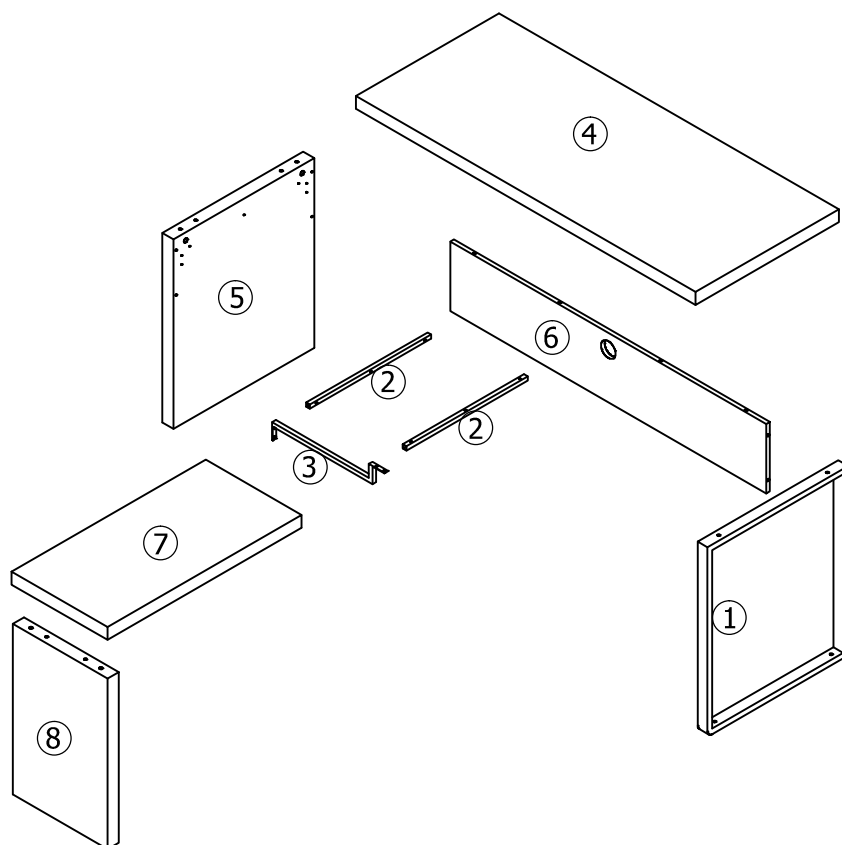
- (GB) Assembly instructions
- (IT) Istruzioni di montaggio
- (PL) Instrukcja montazu
- (SK) Návod na montáž
- (RO) Instruktiuni de montaj
- (RU) Инструкция по монтажу

Ausgabe:20230909









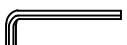














# Service - Dienstverlening - Serwis - Servis - Сервисная служба

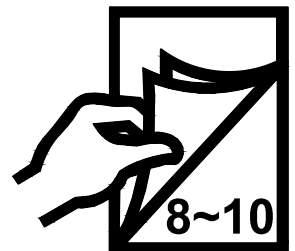
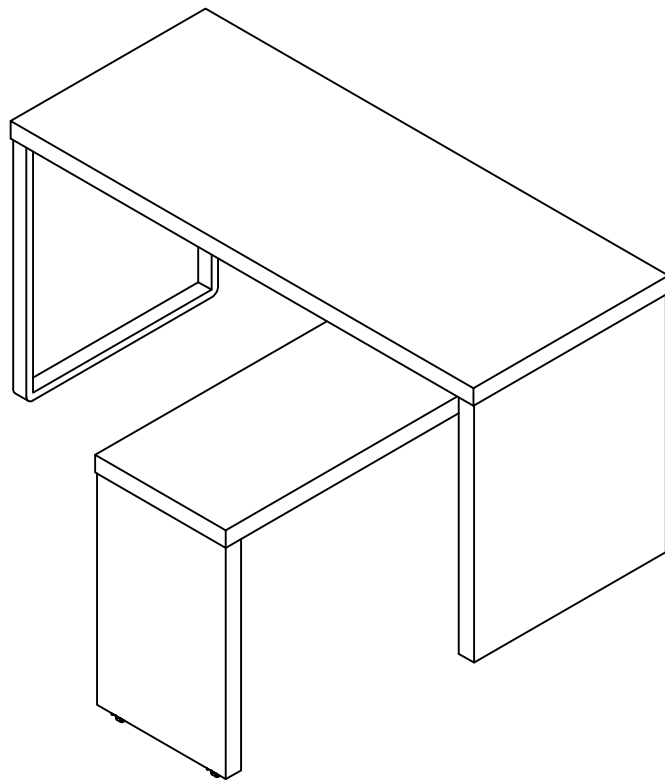
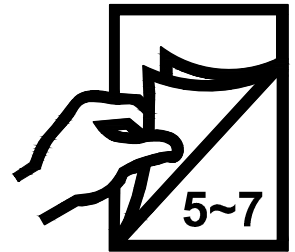
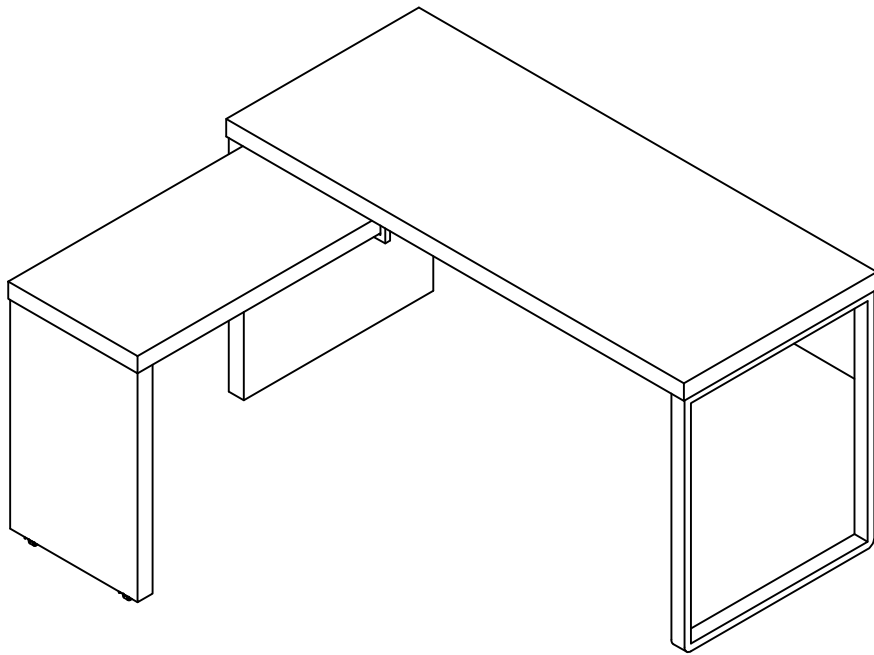
Name • Nom • Nome • Naam Nazwa • Jméno • Názov • Név NDenumire • Isim • Название	Maniago
Nr. • No. • N° • Номер • Č • Sz	7453 6958
Typ • Type • Tip • Тип	
	
	



0  
10  
20  
30  
40  
50  
60  
70  
80  
90  
100  
110  
120  
130  
140  
150  
160  
170  
180  
190  
200

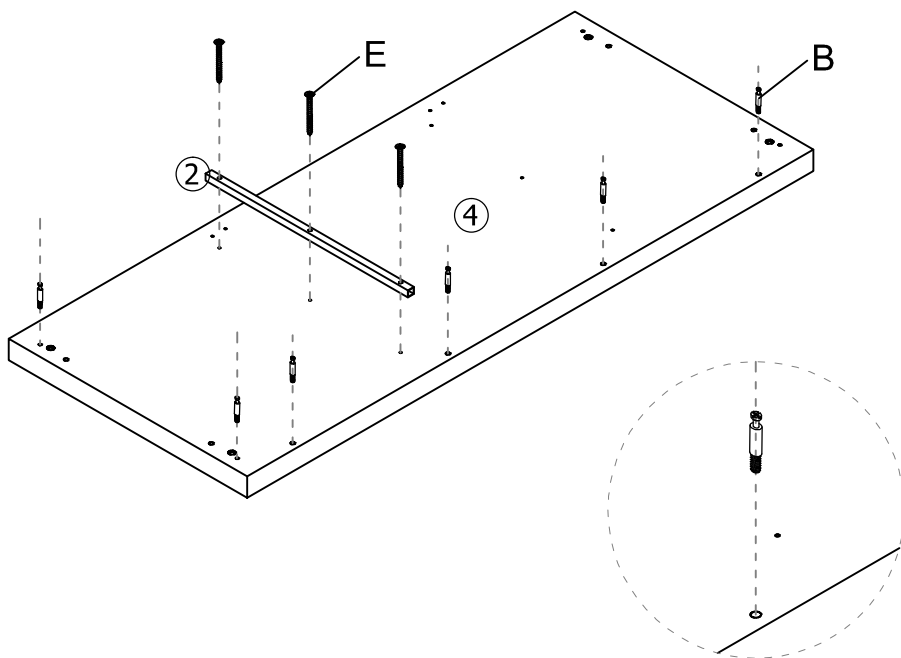
A  Ø15*12 x10	B  Ø7.8*35 x8	C  Ø8*40 x4	D  7x32 x2	E  Ø4*35 x6	F  Ø20 x12
G  Ø60 x1	H  M6X35 x2	I  4mm x1	J  x6	K  Ø3.5X14 x18	L  398X15X2 x1
M  M8*75 x2	N  M8 x2	O  x2	P  x1	Q  x2	R  200*50*50 x1
S  Ø40 x2	T  105*45*2 x2	U  Places of Style x1			

N	Size/MaB (mm)	Qty	✓	N	Size/MaB (mm)	Qty	✓
1	580x40x684	1		5	677x580x46	1	
2	500x15x15	2		6	1302x248x15	1	
3	463x115x15	1		7	800x395x46	1	
4	1400x590x46	1		8	609x390x46	1	



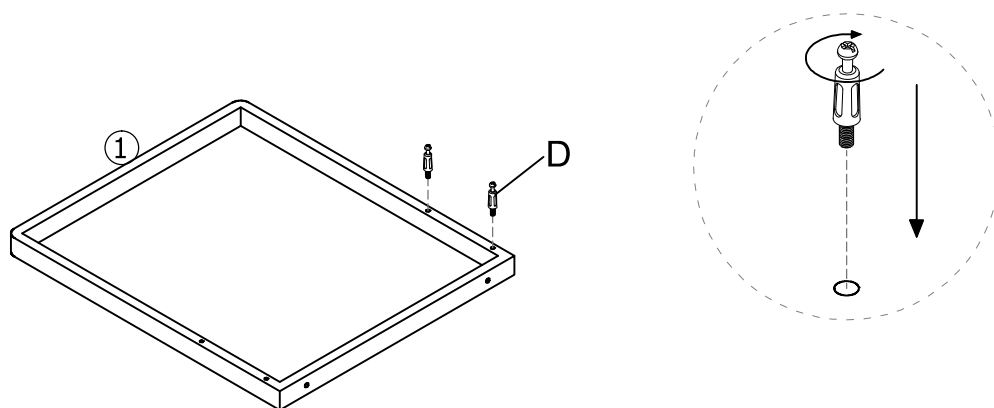
1

- B  $\text{Ø}7.8 \times 35$   
x6
- E  $\text{Ø}4 \times 35$   
x3

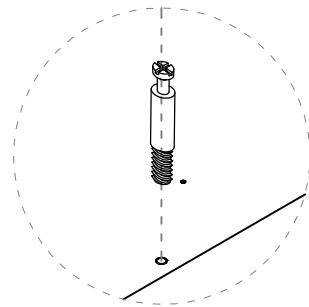
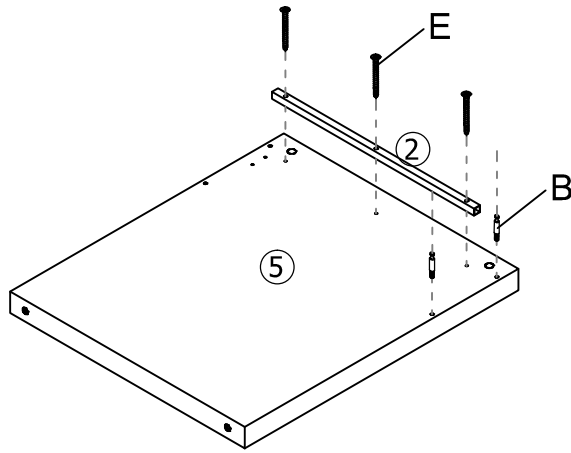
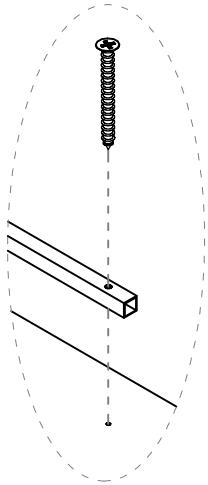


2

- D 7x32  
x2



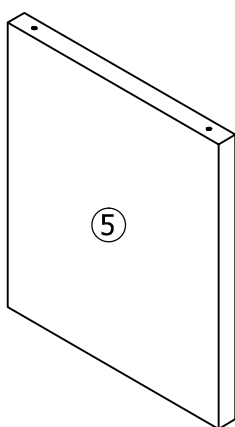
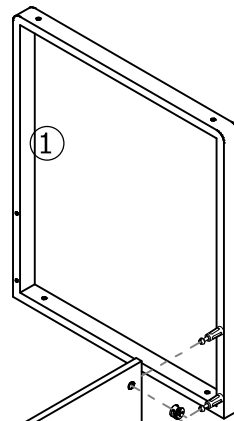
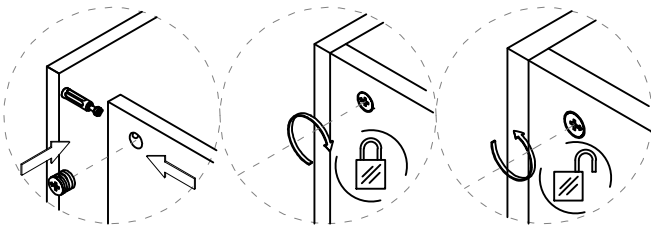
3



B  $\varnothing 7.8 \times 35$   
x2

E  $\varnothing 4 \times 35$   
x3

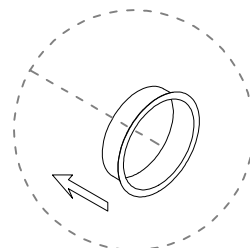
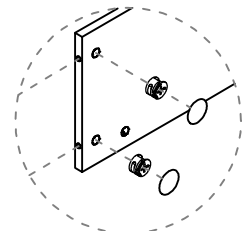
4



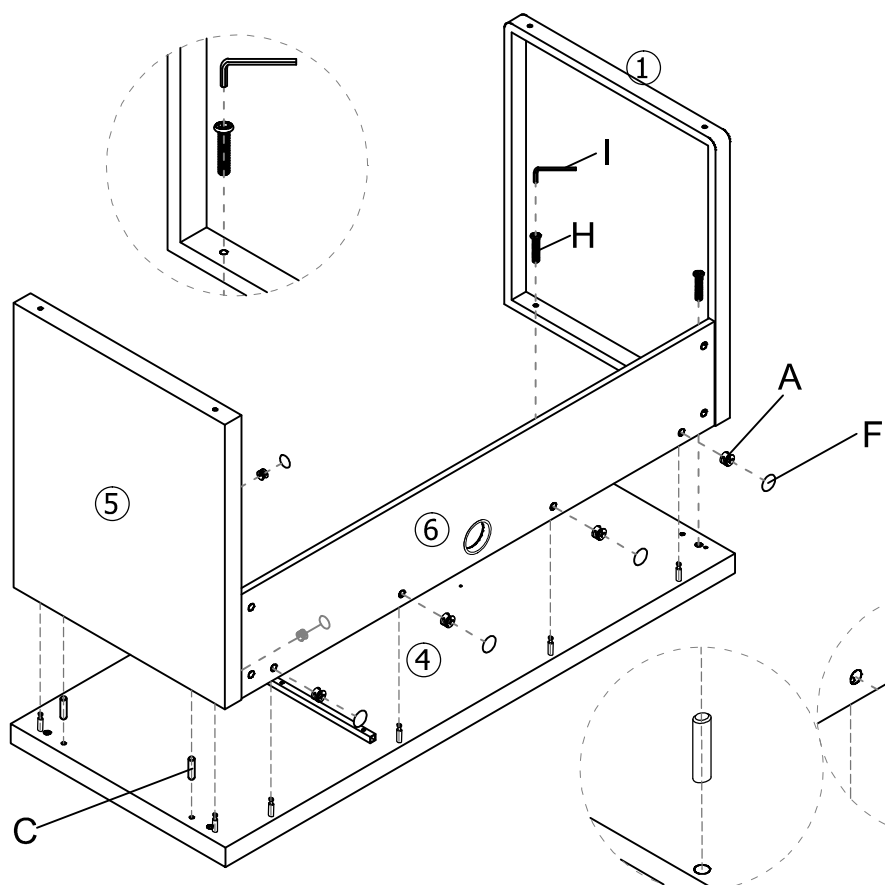
A  $\varnothing 15 \times 12$   
x4






F  $\varnothing 20$   
x4

G  $\varnothing 60$   
x1

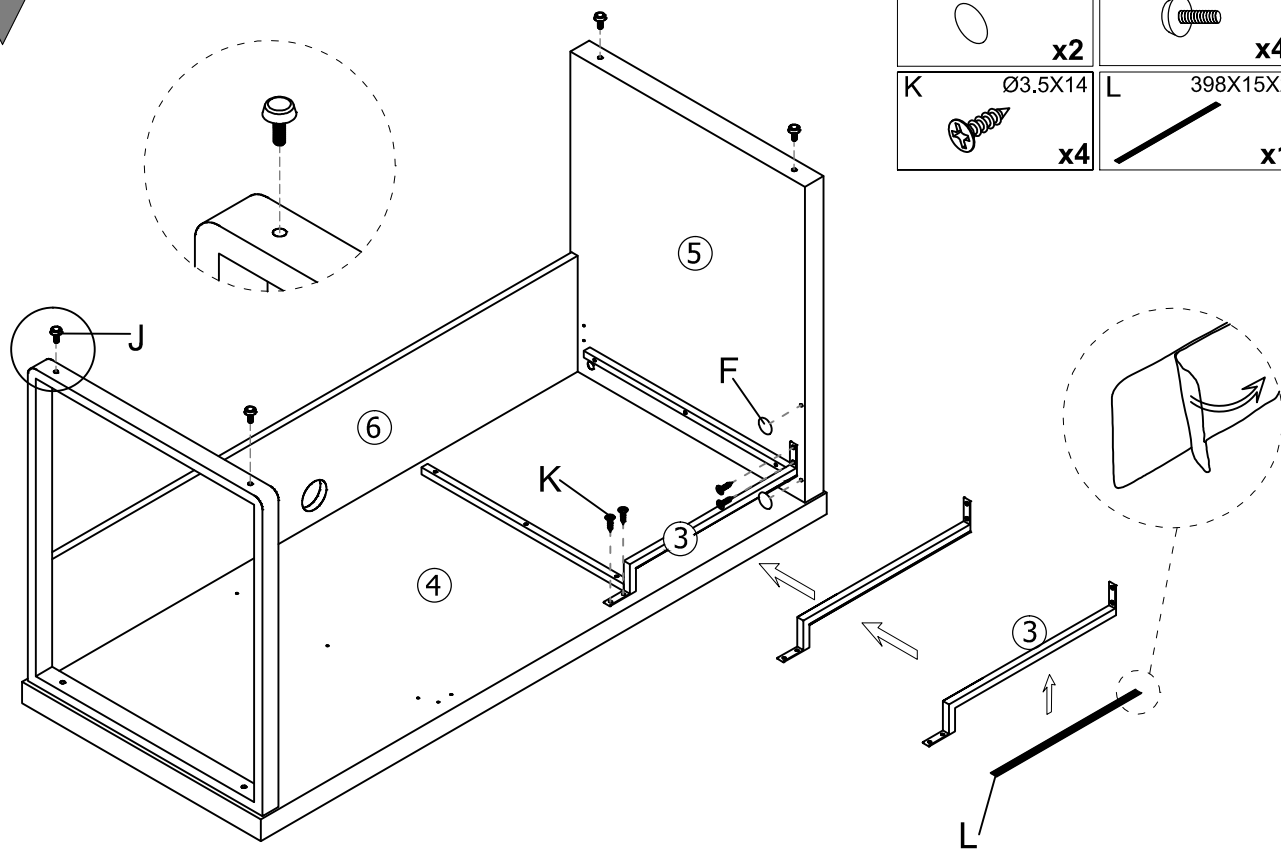






5



A	Ø15*12		x6
C	Ø8*40		x2
F	Ø20		x6
H	M6X35		x2
I	4mm		x1

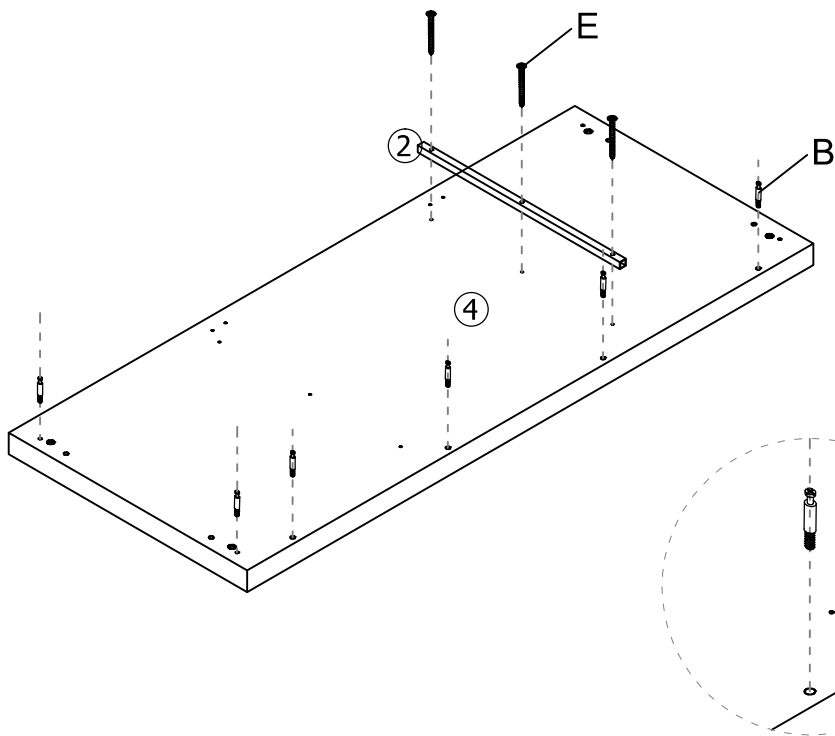
6



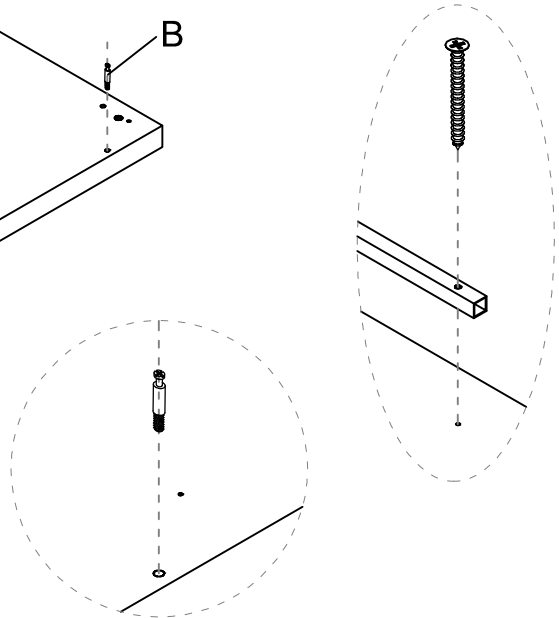
F	Ø20		x2
J			x4
K	Ø3.5X14		x4
L	398X15X2		x1

7

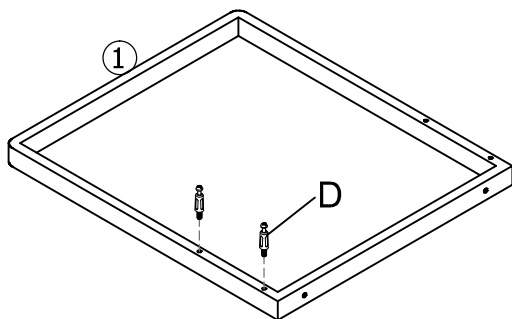
1



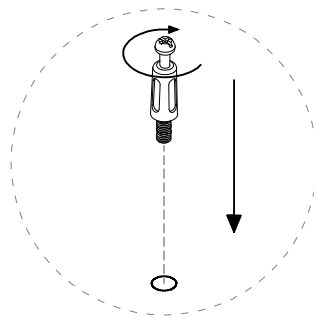
- B  $\text{Ø}7.8 \times 35$   
x6
- E  $\text{Ø}4 \times 35$   
x3



2



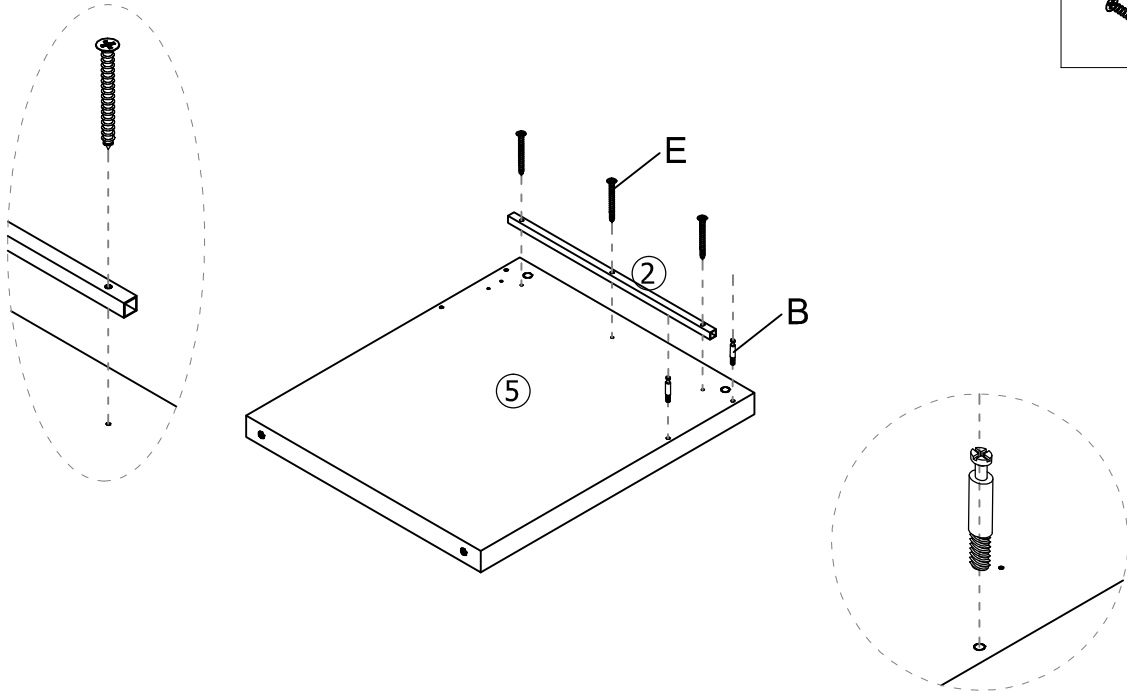
- D 7x32  
x2





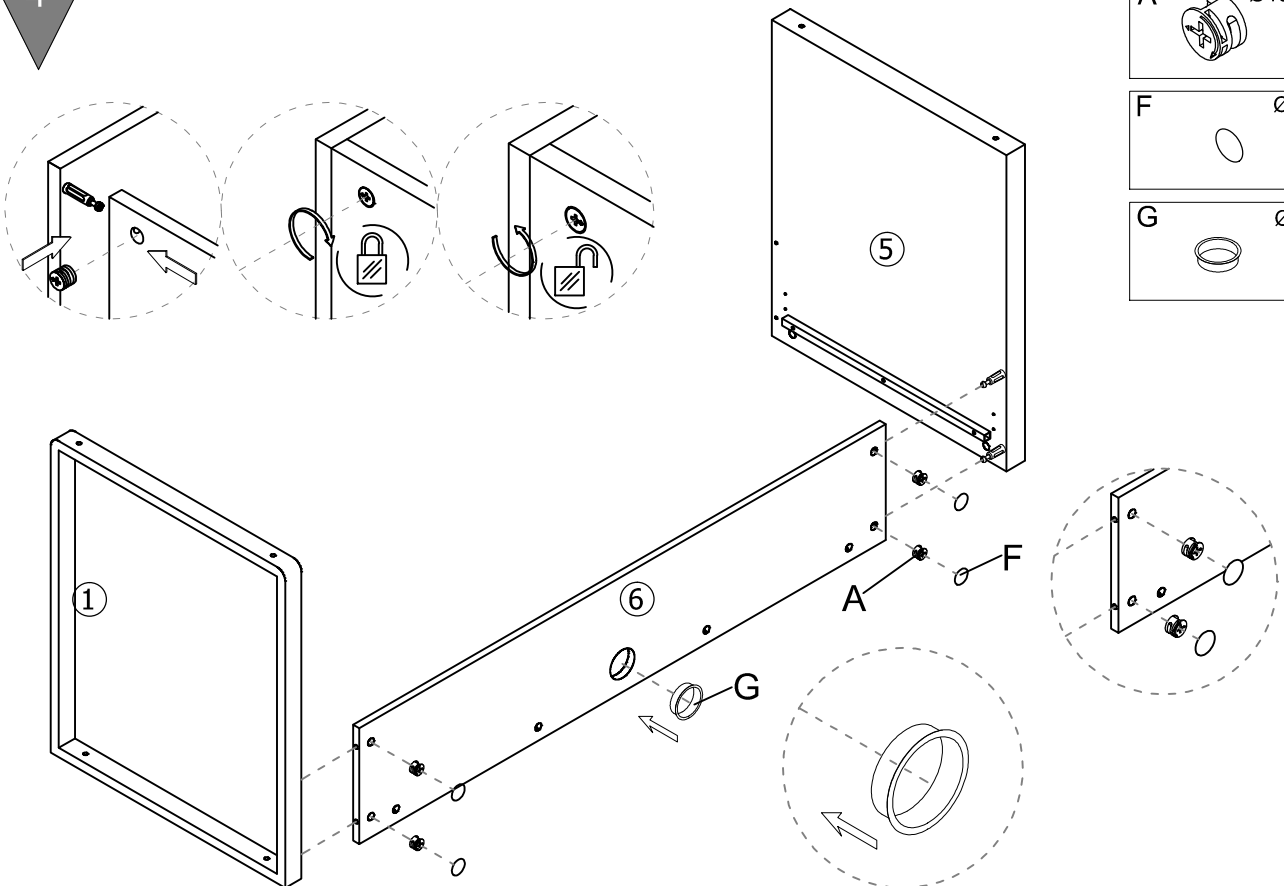
3

- B  $\varnothing 7.8 \times 35$   
x2
- E  $\varnothing 4 \times 35$   
x3

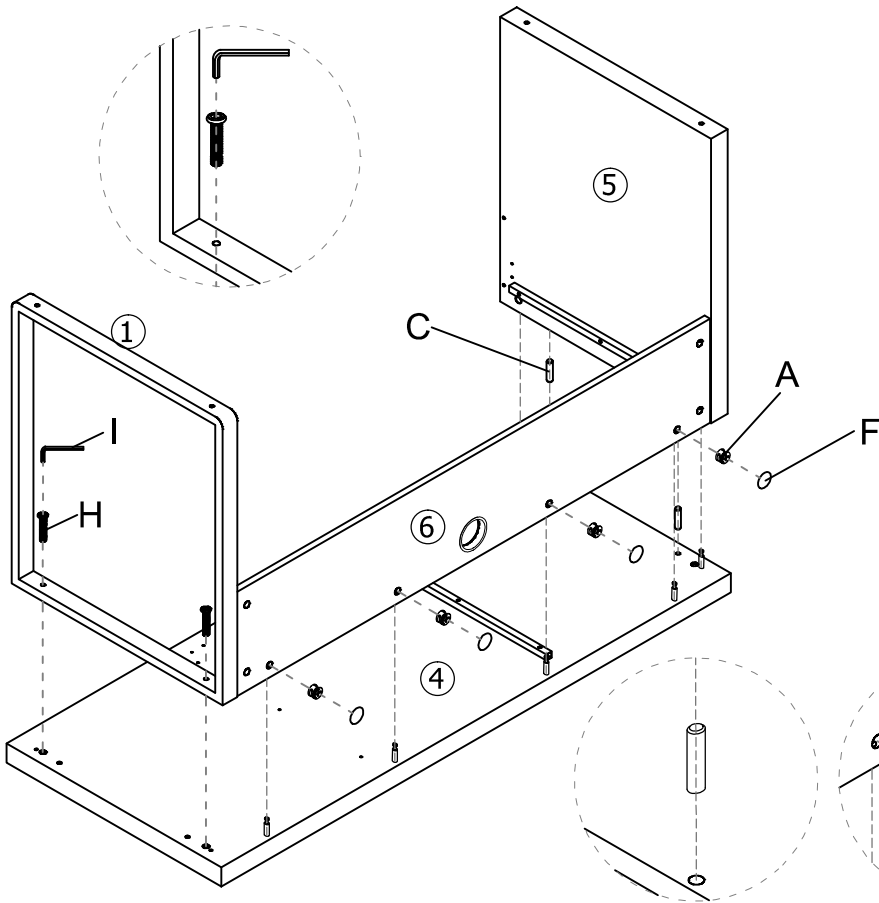


4

- A  $\varnothing 15 \times 12$   
x4
- F  $\varnothing 20$   
x4
- G  $\varnothing 60$   
x1

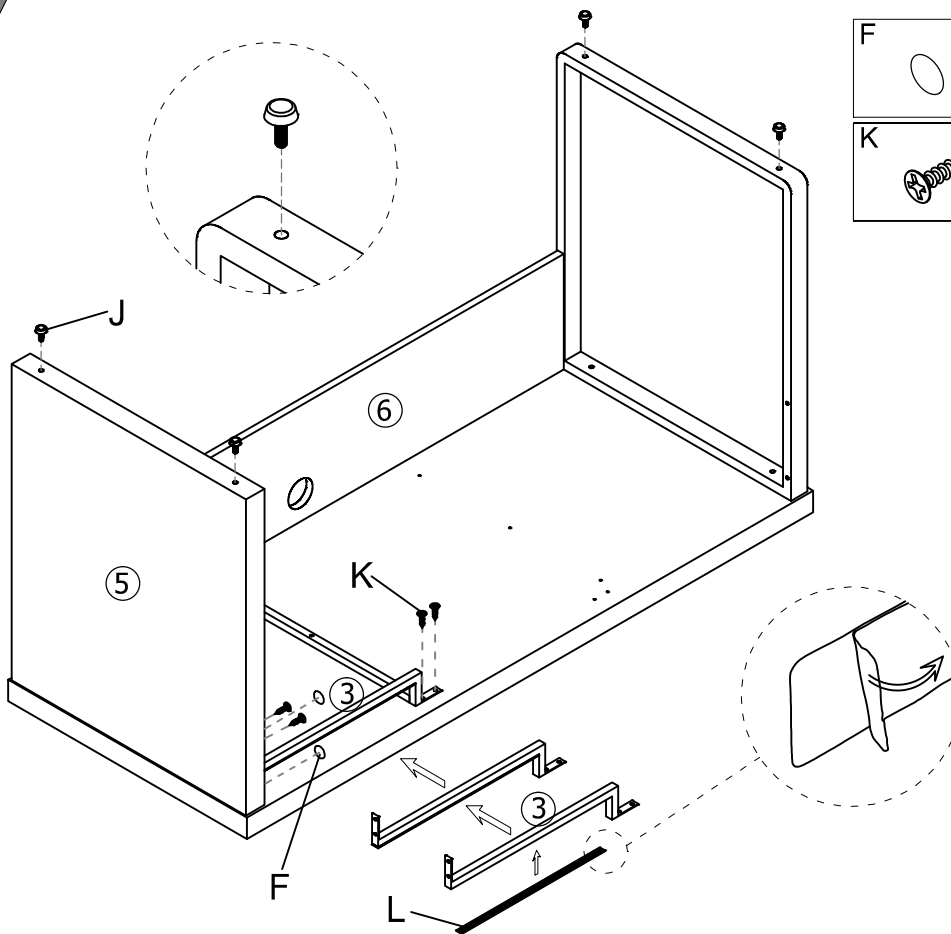


5



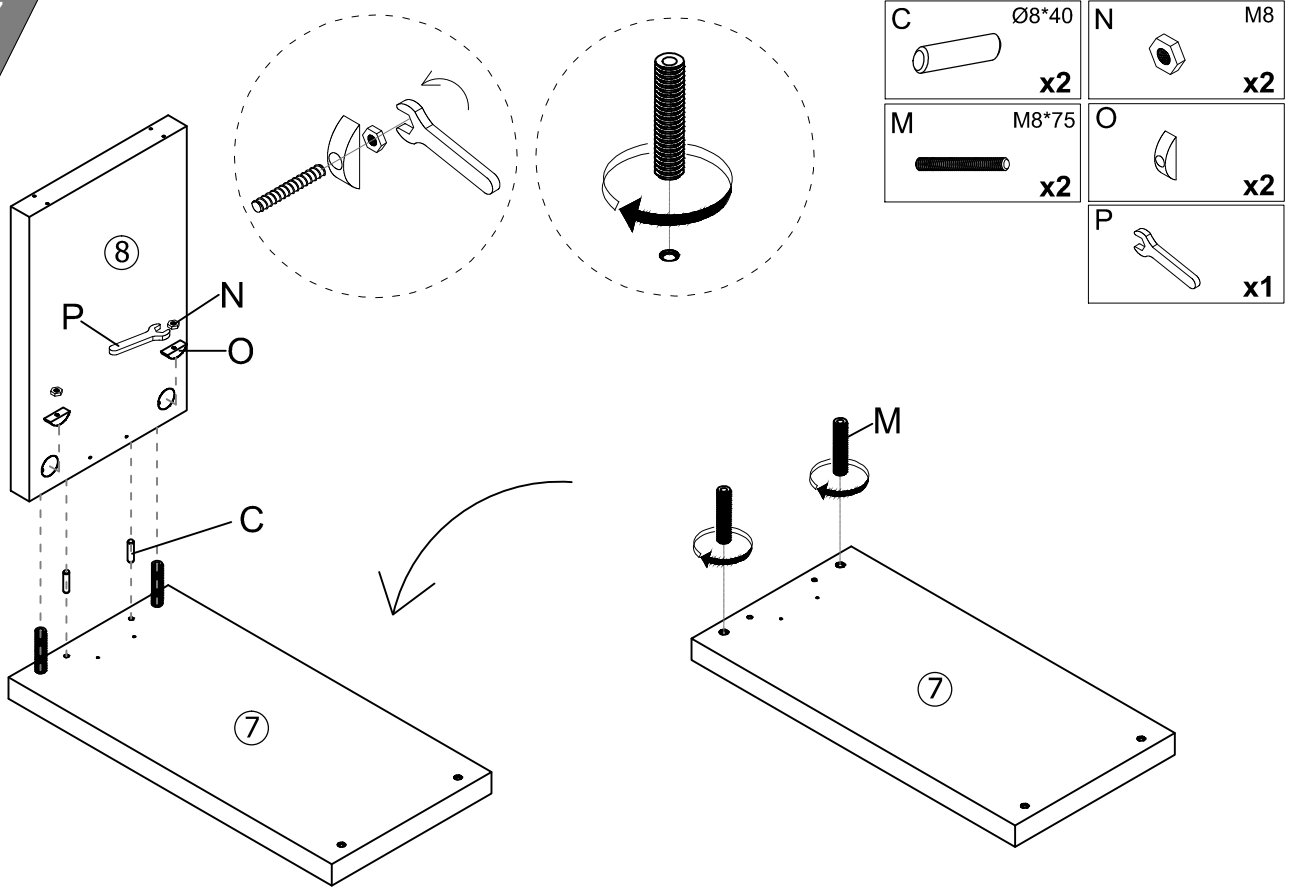
- |   |           |
|---|-----------|
| A | Ø15*12    |
|   | <b>x6</b> |
| C | Ø8*40     |
|   | <b>x2</b> |
| F | Ø20       |
|   | <b>x6</b> |
| H | M6X35     |
|   | <b>x2</b> |
| I | 4mm       |
|   | <b>x1</b> |

6

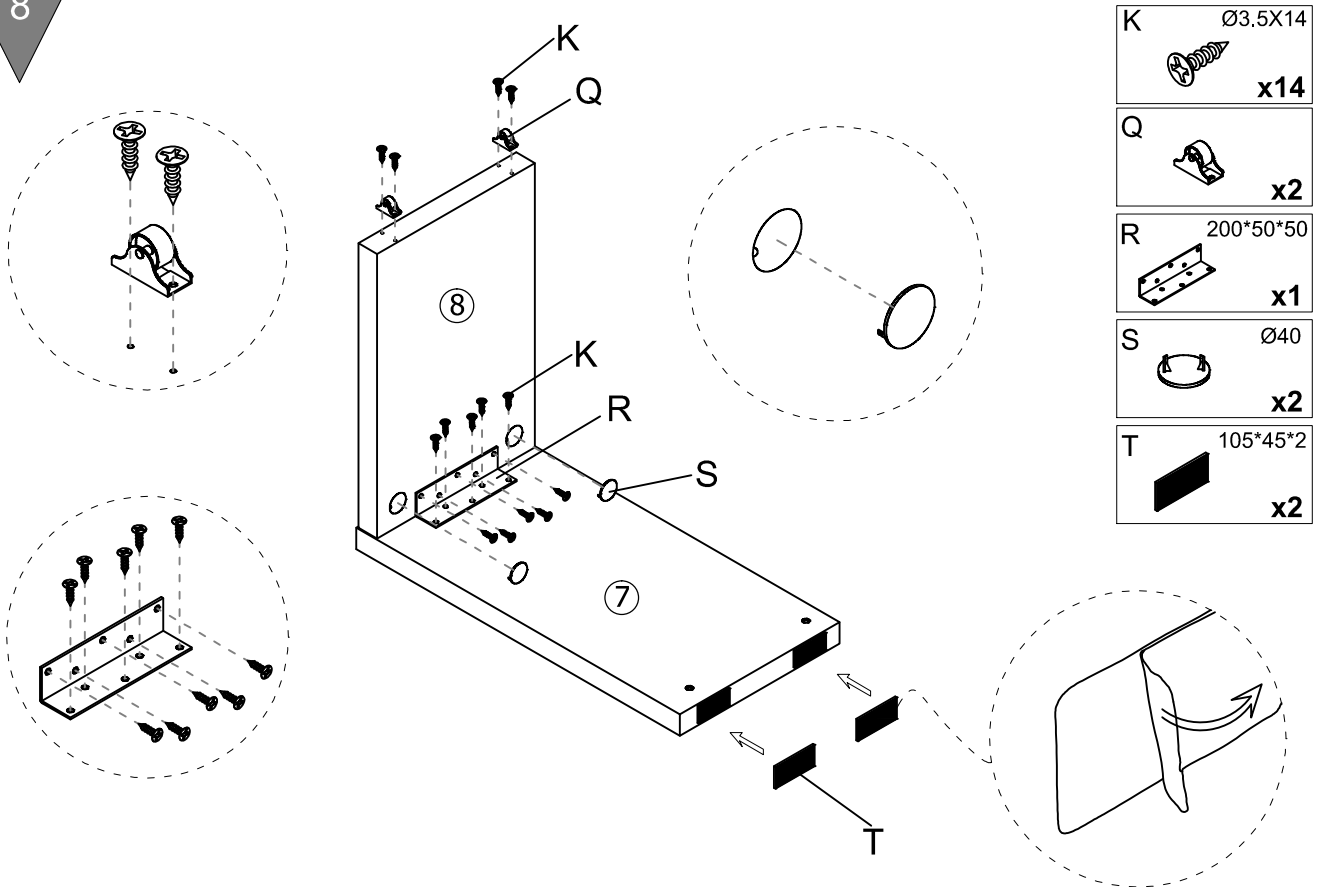


- |   |           |
|---|-----------|
| F | Ø20       |
|   | <b>x2</b> |
| J |           |
|   | <b>x4</b> |
| K | Ø3.5X14   |
|   | <b>x4</b> |
| L | 398X15X2  |
|   | <b>x1</b> |

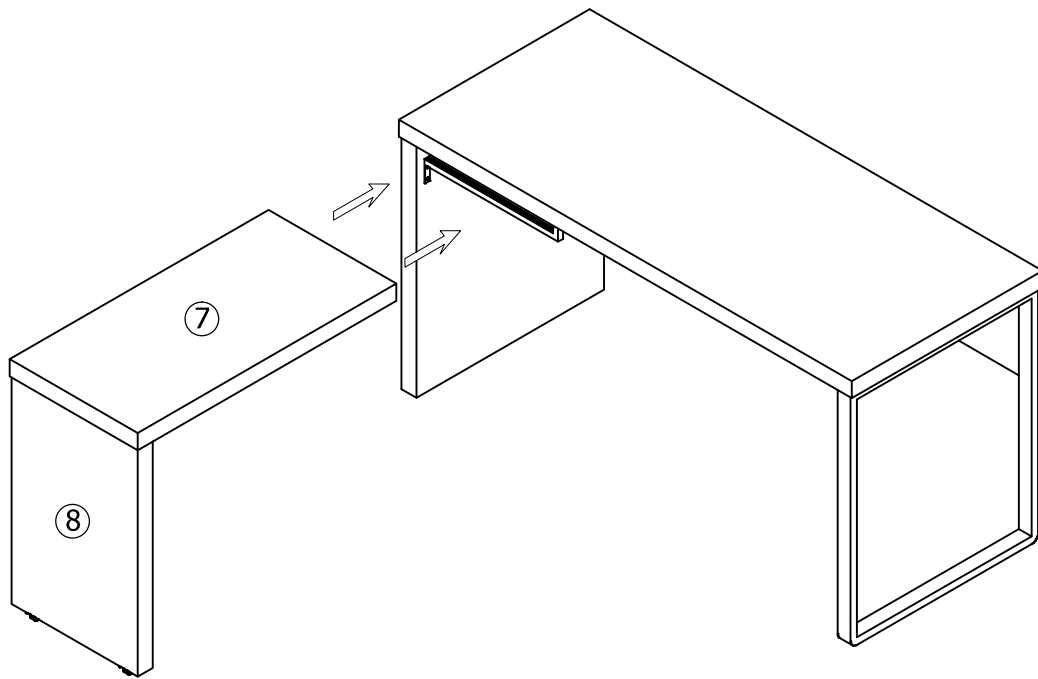
7



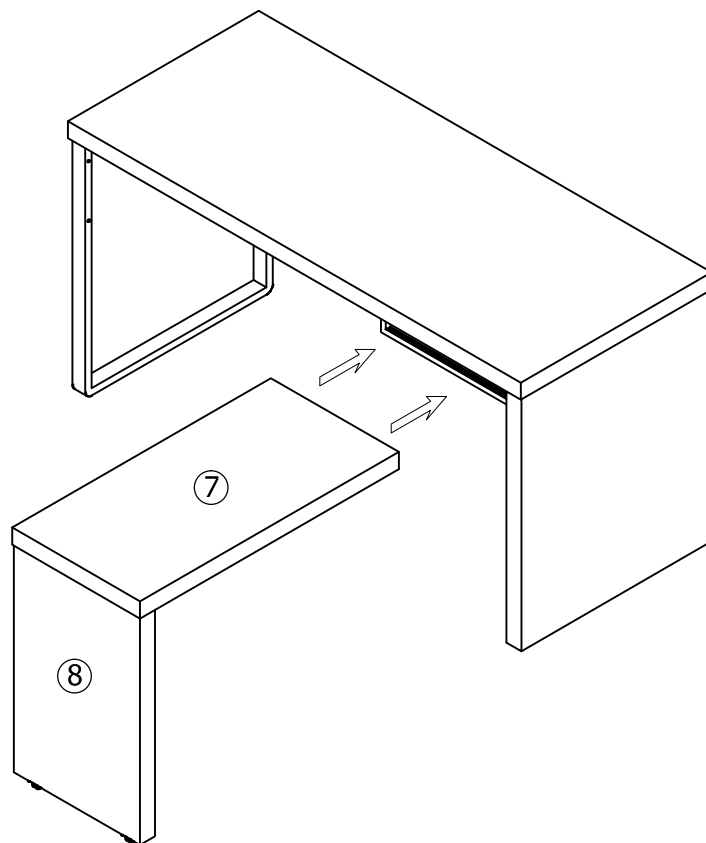
8



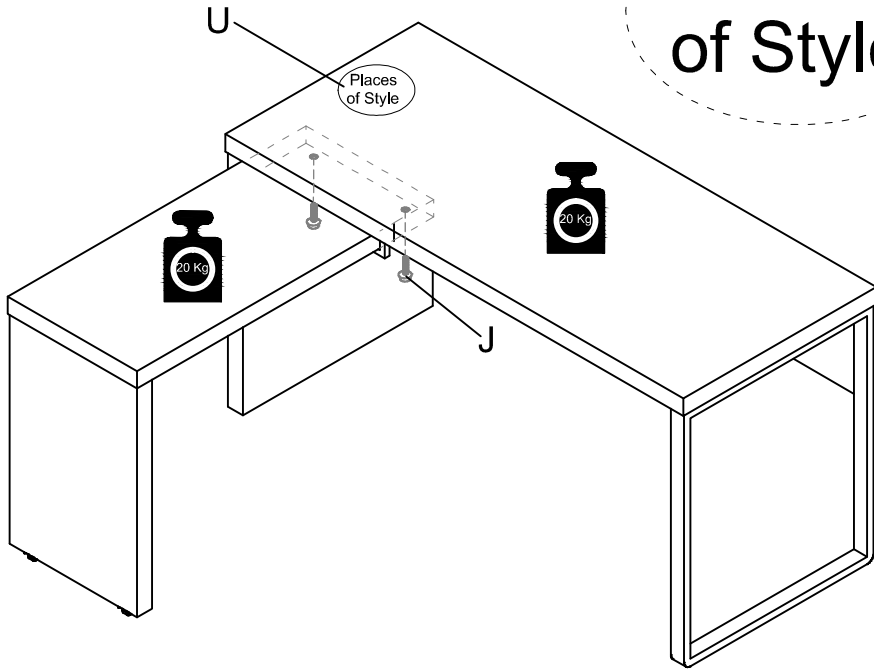
9



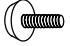

10

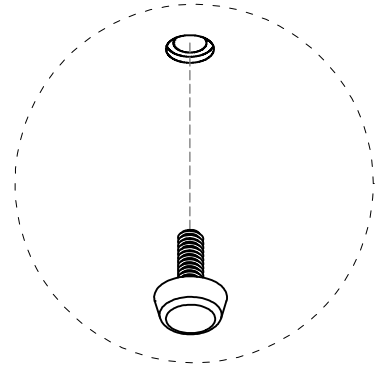


11

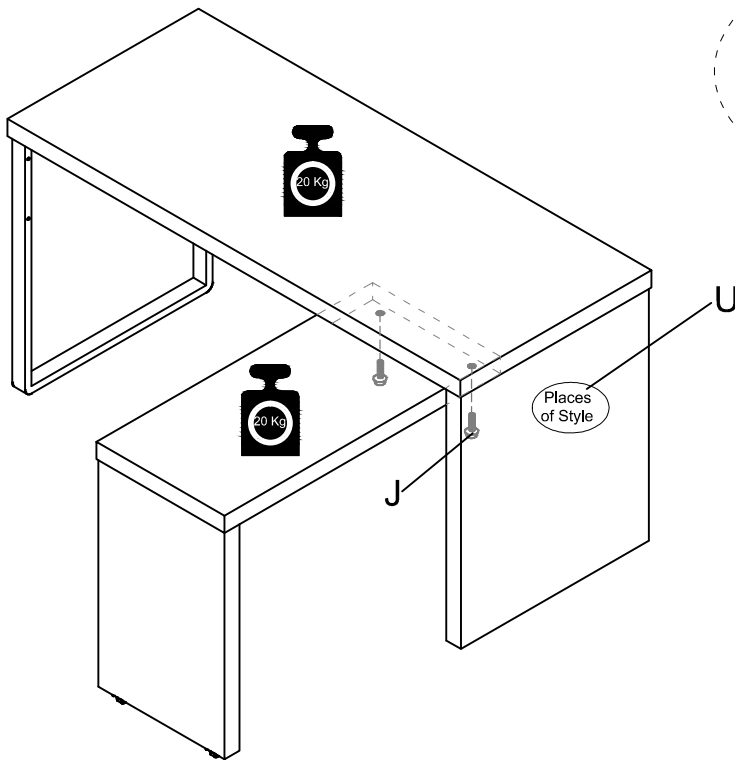


Places of Style

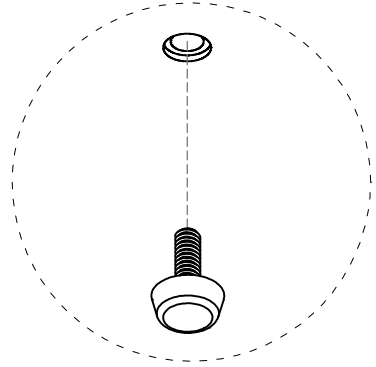
- J  x2
- U  x1



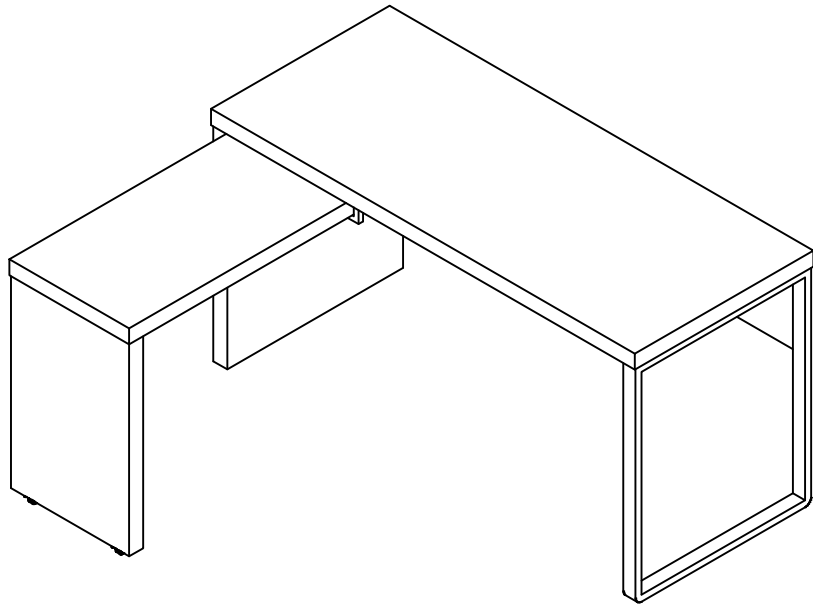
12



Places of Style



13



14

