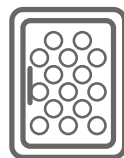


Amica

OPERATING INSTRUCTIONS
GEBRAUCHSANWEISUNG
NOTICE D'UTILISATION
INSTRUKCJA OBSŁUGI
MANUAL DE INSTRUCCIONES
NAVODILA ZA UPORABO
GEBRUIKSAANWIJZING
NÁVOD K OBSLUZE
NÁVOD NA OBSLUHU

EN
DE
FR
PL
ES
SL
NL
CS
SK

**Wine cooler / Weinklimaschrank / Cave à vin /
Chłodziarka do wina / Vinoteca / Hladilnik za vino /
Wijnkoeler / Vinotéka / Vinotéka**



**WCB2K60B36.1 / WK 341 220 S /
WK 348 100 S / WK 341 212 S**



IO-RFW-0058/2
(12.2022)

EN- Table of contents

GUIDELINES CONCERNING THE SAFETY OF USE	13
INSTALLATION AND OPERATING CONDITIONS OF THE APPLIANCE	15
CLIMATE RANGE	16
PRACTICAL EVERYDAY TIPS	17
UNPACKING	18
DISPOSAL OF OLD APPLIANCE	19
CONTROLS	20
APPLIANCE CONTROLS- SINGLE AND DUAL ZONE	20
TO SWITCH THE POWER ON/OFF	20
TO CHANGE THE TEMPERATURE	20
OPTIMAL TEMPERATURE SELECTION	21
TO USE THE INTERNAL LIGHT	21
INTERNAL HUMIDITY	21
TEMPERATURE DISPLAY	21
SILENT MODE	21
DYNAMIC COOLING MODE	21
WEEKEND MODE	22
TEMPERATURE ALARM	22
CARE AND CLEANING	23
REMOVING THE SHELVES	23
CLEANING	23
TROUBLESHOOTING	23
IF THE APPLIANCE IS NOT WORKING, CHECK	23
THE APPLIANCE IS WORKING, BUT NOT VERY WELL, CHECK	24
THE APPLIANCE IS NOISY, CHECK	24
THE LIGHT DOES NOT WORK, CHECK	24
THE DOOR WILL NOT CLOSE PROPERLY, CHECK	24
THE DISPLAY SHOWS "E1" OR "E2"	24
EPREL	24
FITTING THE PLINTH	25
WARRANTY AND AFTER SALES SERVICE	26
WARRANTY	26

DE- Inhaltsverzeichnis

SICHERHEITSHINWEISE	28
INBETRIEBNAHME UND BETRIEBSBEDINGUNGEN DES GERÄTES	31
KLIMAKLASSE	32
PRAKTISCHE RATSCHLÄGE	32
AUSPACKEN	34
ENTSORGUNG VON ALTGERÄTEN	35
STEUERUNGSKOMPONENTEN	36
STEUERUNGSKOMPONENTEN- EIN UND ZWEI ZONEN	36
STROM EINSCHALTEN / AUSSCHALTEN	36
ÄNDERUNG DER TEMPERATUR	36
WAHL DER OPTIMALEN TEMPERATUR	37
INNENBELEUCHTUNG	37
LUFTFEUCHTIGKEIT IM KÜHLSCHRANK	37
TEMPERATURANZEIGE	37
LEISER BETRIEB	37
DYNAMISCHE KÜHLUNG	37
WOCHENENDMODUS	38
TEMPERATUR-ALARM	38
REINIGUNG UND WARTUNG	39
HERAUSNEHMEN DER REGALE	39
REINIGUNG	39
PROBLEMLÖSUNG	39
WENN DAS GERÄT NICHT FUNKTIONIERT, PRÜFEN SIE:	39
WENN DAS GERÄT ZWAR FUNKTIONIERT, ABER NICHT GUT, PRÜFEN SIE:	40
WENN DAS GERÄT LÄRM MACHT, PRÜFEN SIE:	40
WENN DIE BELEUCHTUNG NICHT FUNKTIONIERT, PRÜFEN SIE:	40
WENN DIE TÜR NICHT RICHTIG SCHLIESST, PRÜFEN SIE:	40
WENN IN DER ANZEIGE „E1“ ODER „E2“ ERSCHEINT:	40
EPREL	40
MONTAGE DES SOCKELS	41
GARANTIE, NACHVERKAUF-SERVICE	42
GARANTIE	42

FR- Table des matières

CONSIGNES DE SECURITÉ D'UTILISATION	44
INSTALLATION ET CONDITIONS DE FONCTIONNEMENT DE L'APPAREIL	47
CLASSE CLIMATIQUE	48
CONSEILS PRATIQUES	48
DÉBALLAGE	50
ÉLIMINATION DES APPAREILS USAGÉS	51
ÉLÉMENTS DE COMMANDE	52
ÉLÉMENTS DE COMMANDE – UNE ET DEUX ZONES	52
ALLUMER / ÉTEINDRE L'ALIMENTATION	52
MODIFICATION DE LA TEMPÉRATURE	52
CHOIX DE LA TEMPÉRATURE OPTIMALE	53
ECLAIRAGE INTÉRIEUR	53
HUMIDITÉ INTÉRIEURE	53
AFFICHAGE DE LA TEMPÉRATURE	53
MODE SILENCIEUX	53
MODE DE REFROIDISSEMENT DYNAMIQUE	53
MODE WEEK-END	54
ALARME DE LA TEMPÉRATURE	54
NETTOYAGE ET ENTRETIEN	55
RETRAIT DES CLAYETTES	55
NETTOYAGE	55
RÉSOLUTION DES PROBLÈMES	55
SI L'APPAREIL NE FONCTIONNE PAS, VÉRIFIER	55
SI L'APPAREIL FONCTIONNE, MAIS D'UNE MANIÈRE PAS TOUT À FAIT EFFICACE, VÉRIFIER	56
SI L'APPAREIL FAIT DU BRUIT, VÉRIFIER	56
SI L'ÉCLAIRAGE NE FONCTIONNE PAS, VÉRIFIER	56
SI LA PORTE N'EST PAS FERMÉE CORRECTEMENT, VÉRIFIER	56
SI L'AFFICHEUR AFFICHE « E1 » OU « E2 »	56
EPREL	56
MONTAGE DU SOCLE	57
GARANTIE, SERVICE APRÈS-VENTE	58
GARANTIE	58

PL- Spis treści

WSKAZÓWKI DOTYCZĄCE BEZPIECZEŃSTWA	60
INSTALACJA I WARUNKI PRACY URZĄDZENIA	63
KLASA KLIMATYCZNA	64
PRAKTYCZNE PORADY	64
ROZPAKOWANIE	66
USUWANIE ZUŻYTYCH URZĄDZEŃ	67
ELEMENTY STEROWANIA	68
ELEMENTY STEROWANIA- JEDNA I DWIE STREFY	68
WŁĄCZENIE / WYŁĄCZENIE ZASILANIA	68
ZMIANA TEMPERATURY	68
WYBÓR OPTYMALNEJ TEMPERATURY	69
OŚWIETLENIE WEWNĄTRZ	69
WILGOTNOŚĆ WEWNĄTRZ	69
WYŚWIETLACZ TEMPERATURY	69
SILENT MODE (TRYB CICHY)	69
TRYB DYNAMICZNEGO CHŁODZENIA	69
TRYB WEEKENDOWY	70
ALARM TEMPERATURY	70
CZYSZCZENIE I KONSERWACJA	71
WYJMOWANIE PÓŁEK	71
CZYSZCZENIE	71
ROZWIĄZYWANIE PROBLEMÓW	71
JEŚLI URZĄDZENIE NIE DZIAŁA, NALEŻY SPRAWDZIĆ	71
JEŚLI URZĄDZENIE DZIAŁA, ALE NIEZBYT DOBRZE, NALEŻY SPRAWDZIĆ	72
JEŚLI URZĄDZENIE HAŁASUJE, NALEŻY SPRAWDZIĆ	72
JEŚLI NIE DZIAŁA OŚWIETLENIE, NALEŻY SPRAWDZIĆ	72
JEŚLI DRZWI NIE SĄ ZAMKNIĘTE PRAWIDŁOWO, NALEŻY SPRAWDZIĆ	72
JEŚLI NA WYŚWIETLACZU ŚWIECI SIĘ "E1" LUB "E2"	72
EPREL	72
MONTAŻ COKOŁU	73
GWARANCJA, OBSŁUGA POSPRZEDAŻOWA	74
GWARANCJA	74

ES- Tabla de contenidos

IMPORTANTES INSTRUCCIONES DE SEGURIDAD	76
INSTALACIÓN Y CONDICIONES DE TRABAJO DEL APARATO	79
CLASE CLIMÁTICA	80
CONSEJOS PRÁCTICOS	80
DESEMBALAJE	82
ELIMINACIÓN DE APARATOS USADOS	83
ELEMENTOS DE CONTROL	84
ELEMENTOS DE CONTROL - UNA Y DOS ZONAS	84
ACTIVACIÓN / DESACTIVACIÓN DE ALIMENTACIÓN	84
CAMBIO DE TEMPERATURA	84
SELECCIÓN DE TEMPERATURA ÓPTIMA	85
ILUMINACIÓN DEL INTERIOR	85
HUMEDAD EN EL INTERIOR	85
VISUALIZADOR DE TEMPERATURA	85
MODO DE INSONORIZACIÓN	85
MODO DE REFRIGERACIÓN DINÁMICA	85
MODO FIN DE SEMANA	86
ALARMA DE TEMPERATURA	86
LIMPIEZA Y CONSERVACIÓN	87
RETIRADA DE ESTANTES	87
LIMPIEZA	87
LOS PROBLEMAS	87
SI EL APARATO NO FUNCIONA, DEBE COMPROBAR	87
SI EL APARATO FUNCIONA PERO NO FUNCIONA LO SUFICIENTE BIEN SE DEBE COMPROBAR	88
SI EL APARATO HACE RUIDO, SE DEBE COMPROBAR	88
SI LA ILUMINACIÓN NO FUNCIONA, SE DEBE COMPROBAR	88
SI LA PUERTA NO ESTÁ CERRADA CORRECTAMENTE, SE DEBE COMPROBAR	88
SI EN EL VISUALIZADOR ILUMINA "E1" O "E2"	88
EPREL	88
MONTAJE DEL PEDESTAL	89
GARANTÍA, ATENCIÓN DE POST VENTA	90
GARANTÍA	90

SL- Kazalo

NAVODILA ZA ZAGOTAVLJANJE VARNOSTI UPORABE	92
MONTAŽA IN POGOJI DELOVANJA NAPRAVE	94
KLIMATSKI RAZRED	95
PRAKTICNI NASVETI	96
RAZPAKIRANJE	97
ODSTRANJEVANJE IZRABLJENIH NAPRAV	98
ELEMENTI UPRAVLJANJA	99
ELEMENTI UPRAVLJANJA – ENO IN DVE OBMOČJI	99
VKLOP / IZKLOP NAPAJANJA	99
SPREMEMBA TEMPERATURE	99
IZBOR OPTIMALNE TEMPERATURE	100
NOTRANJA OSVETLITEV	100
VLAGA V NOTRANJOSTI	100
EKRAN ZA TEMPERATURO	100
SILENT MODE (TIHI NAČIN)	100
NAČIN DINAMIČNEGA HLAJENJA	100
VIKEND NAČIN	101
TEMPERATURNI ALARM	101
ČIŠČENJE IN VZDRŽEVANJE	102
ODSTRANJEVANJE POLIC	102
ČIŠČENJE	102
REŠEVANJE PROBLEMOV	102
ČE NAPRAVA NE DELUJE, JE POTREBNO PREVERITI	102
ČE NAPRAVA DELUJE, Vendar NE NAJBOLJŠE, PREVERITE	103
ČE JE NAPRAVA GLASNA, JE TREBA PREVERITI	103
ČE NE DELUJE OSVETLITEV, JE TREBA PREVERITI	103
ČE VRATA NISO PRAVILNO ZAPRTA, JE POTREBNO PREVERITI	103
ALI NA EKRANU SVETI "E1" ALI "E2"	103
EPREL	103
MONTAŽA PODSTAVKA	104
GARANCIJA, POPRODAJNE STORITVE	105
GARANCIJA	105

NL- Inhoudsopgave

AANWIJZINGEN VOOR VEILIG GEBRUIK	107
INSTALLATIE EN WERKINGSVOORWAARDEN VAN HET APPARAAT	109
KLIMAATKLASSE	110
PRAKTISCHE TIPS	111
UITPAKKEN	112
VERWIJDERING VAN GEBRUIKTE APPARATUUR	113
BEDIENINGSELEMENTEN	114
BEDIENINGSELEMENTEN - ÉÉN EN TWEE ZONES	114
INSCHAKELLEN/UITSCHAKELLEN VOEDING	114
TEMPERATUURWIJZIGING	114
DE OPTIMALE TEMPERATUUR KIEZEN	115
BINNENVERLICHTING	115
INTERNE LUCHTVOCHTIGHEID	115
TEMPERATUURDISPLAY	115
SILENT MODE (STILLE MODUS)	115
MODUS DYNAMISCHE KOELING	115
WEEKENDMODUS	116
TEMPERATUURALARM	116
REINIGING EN ONDERHOUD	117
UITNEMEN VAN DE SCHAPPEN	117
REINIGING	117
HET OPLOSSEN VAN PROBLEMEN	117
ALS HET APPARAAT NIET WERKT, CONTROLEERT U HET VOLGENDE:	117
ALS HET APPARAAT NIET GOED WERKT, CONTROLEERT U HET VOLGENDE:	118
ALS HET APPARAAT HERRIE MAAKT, CONTROLEERT U HET VOLGENDE:	118
ALS DE VERLICHTING NIET WERKT, CONTROLEERT U HET VOLGENDE:	118
ALS DE DEUR NIET GOED SLUIT, CONTROLEERT U HET VOLGENDE:	118
ALS OP DE DISPLAY "E1" OF "E2" BRANDT	118
EPREL	118
MONTAGE VAN DE SOKKEL	119
GARANTIE, SERVICE	120
GARANTIE	120

CS- Obsah

POKYNY TÝKAJÍCÍ SE BEZPEČNOSTI POUŽÍVÁNÍ	122
INSTALACE A PROVOZNÍ PODMÍNKY SPOTŘEBICE	124
KLIMATICKÁ TRÍDA	125
PRAKTICKÉ RADY	126
VYBALENÍ	127
LIKVIDACE OPOTŘEBOVANÝCH ZAŘÍZENÍ	128
OVLÁDACÍ PRVKY	129
OVLÁDACÍ PRVKY – JEDNA A DVĚ ZÓNY	129
ZAPNUTÍ/VYPNUTÍ NAPÁJENÍ	129
ZMĚNA TEPLoty	129
VÝBĚR OPTIMÁLNÍ TEPLoty	130
VNITŘNÍ OSVĚTLENÍ	130
VNITŘNÍ VLHKOST	130
DISPLEJ TEPLoty	130
TICHÝ REŽIM	130
REŽIM DYNAMICKÉHO CHLAZENÍ	130
VÍKENDOVÝ REŽIM	131
TEPLotNÍ ALARM	131
ČISTĚNÍ A UDRŽBA	132
VYTAHOVÁNÍ POLIC	132
ČISTĚNÍ	132
ŘEŠENÍ PROBLÉMŮ	132
POKUD ZAŘÍZENÍ NEFUNGUJE, ZKONTROLUJTE	132
POKUD ZAŘÍZENÍ NEFUNGUJE DOBŘE, ZKONTROLUJTE	133
POKUD JE ZAŘÍZENÍ HLUČNÉ, ZKONTROLUJTE	133
POKUD NEFUNGUJE OSVĚTLENÍ, ZKONTROLUJTE	133
POKUD DVÍŘKA NEJSOU DOBŘE ZAVŘENÁ, ZKONTROLUJTE	133
POKUD NA DISPLEJI SVÍTÍ "E1" NEBO "E2"	133
EPREL	133
MONTÁŽ PODSTAVCE	134
ZÁRUKA, POPRODEJNÍ SERVIS	135
ZÁRUKA	135

SK- Obsah

DÔLEŽITÉ BEZPEČNOSTNÉ POKYNY	137
INŠTALÁCIA A PŘEVÁZKOVÉ PODMIENKY SPOTREBIČA	140
KLIMATICKÁ TRIEDA	141
PRAKTICKÉ RADY	141
ROZBALENIE	143
LIKVIDÁCIA ZARIADENÍ	144
OVLÁDACIE PRVKY	145
OVLÁDACIE PRVKY – JEDNA A DVE ZÓNY	145
ZAPNUTIE / VYPNUTIE NAPÁJANIA	145
ZMENA TEPLoty	145
VOĽBA OPTIMÁLNEJ TEPLoty	146
OSVETLENIE VNÚTRA	146
VLHKOSŤ VO VNÚTRI	146
DISPLEJ TEPLoty	146
TICHÝ REŽIM	146
REŽIM DYNAMICKÉHO CHLADENIA	146
VÍKENDOVÝ REŽIM	147
ALARM TEPLoty	147
ČISTENIE A ÚDRŽBA	148
VYBERANIE POLÍC	148
ČISTENIE	148
RIEŠENIE PROBLÉMOV	148
AK ZARIADENIE NEFUNGUJE	148
AK ZARIADENIE SÍCE FUNGUJE, ALE NEFUNGUJE PRÍLIŠ DOBRE, SKONTROLUJTE	149
AK JE ZARIADENIE PRÍLIŠ HLUČNÉ	149
AK NEFUNGUJE OSVETLENIE	149
AK DVERE NIE SÚ ZATVORENÉ SPRÁVNE, SKONTROLUJTE	149
AK NA DISPLEJI SVIETI "E1" ALEBO "E2"	149
EPREL	149
MONTÁŽ SOKLA	150
ZÁRUKA, POPREDAJNÝ SERVIS	151
ZÁRUKA	151

Dear customer,

From now on, your daily housework will be easier than ever before. Your appliance **Amica** is exceptionally easy to use and extremely efficient. After reading these Operating Instructions, operating the appliance will be easy.

Before being packaged and leaving the manufacturer, the appliance was thoroughly checked with regard to safety and functionality.

Before using the appliance, please carefully read these Operating Instructions. By following these instructions carefully you will be able to avoid any problems in using the appliance. It is important to keep these Operating Instructions and store them in a safe place so that they can be consulted at any time.

Follow these instructions carefully in order to avoid possible accidents.

Sincerely,

Amica

GUIDELINES CONCERNING THE SAFETY OF USE

- The appliance is intended for household use only.
- The manufacturer reserves the right to introduce changes which do not affect the operation of the appliance.
- The Manufacturer shall not be held liable for damage arising from the failure to observe the instructions contained in this manual.
- Keep this manual for future reference, or to pass it over to the next user.
- This appliance is not intended for use by persons (including children) with limited physical or mental capabilities and persons who lack experience or familiarity with the appliance.
- Do not allow children to use the appliance. Do not allow them to play with the appliance. They must not climb inside the drawers and swing on the doors.
- The appliance operates properly at the ambient temperature (see product fiche). Do not use it in the cellar, unheated summer cottage during autumn and winter.
- When placing, moving, lifting the appliance, do not hold the door handles, do not pull the condenser at the rear part of the refrigerator and do not touch the compressor unit.
- Pull the plug out from the mains socket before each maintenance activity. Do not pull on the cord, but hold the body of the plug instead.
- The “cracking” sound, which the appliance may emit is caused by the expansion and contraction of parts as a result of temperature variations.
- For safety reasons do not repair the appliance yourself. Repairs carried out by persons who do not have the required qualifications may result in serious danger for the user of the appliance.

- Make sure you do not damage the cooling system, by puncturing the refrigerant pipes in the evaporator or breaking the pipes. The refrigerant is flammable. If the refrigerant makes contact with the eyes, rinse them with clean water and call for medical assistance immediately.
- Important! If the power cord is damaged, it should be replaced by the manufacturer or specialist repair centre or a qualified person in order to avoid danger.
- When performing activities, such as cleaning, maintenance or moving, the appliance must be completely disconnected from power supply (by pulling the plug out from the socket)
- This appliance can be used by children aged 8 years and older or by persons with physical, mental or sensory handicaps, or by those who are inexperienced or unfamiliar with the appliance, provided they are supervised or have been instructed how to safely use the appliance and are familiar with risks associated with the use of the appliance. Ensure that children do not play with the appliance. Cleaning and maintenance of the appliance should not be performed by children unless they are 8 years or older and are supervised by a competent person.
- Do not clean the appliance with steam
- Keep the appliance and its power cord away from children under 8 years old.
- Do not immerse the power cord or plug in water.
- Keep cord away from heated surfaces.
- Do not allow the connection cord hanging over the edge of a table or counter.
- Do not use any electrical appliances inside the chamber
- Do not use any tools to speed up the defrosting process
- Regularly clean the ventilation openings (in case of built-in appliances or those installed under the worktop)

- This appliance is not designed to be controlled by electronic timers or other devices that cut off power directly or remotely.
- In case of accidental spillage of liquids on electrical components, immediately unplug your appliance from the power supply.
- Make sure that the power cord is not crushed or damaged during installation.
- Disable the appliance before disposing of it. Unplug the appliance from the power supply and cut off the power cord. To prevent children or animals from being trapped in the appliance, remove the doors, hinges and locks.
- Note: If the appliance does not have a freezer compartment (❄️❄️❄️), it is not suitable for freezing foodstuffs.
- Pursuant to Commission Regulation (EU) 2019/2019, the minimum availability period for spare parts necessary to repair the appliance is 7 or 10 years depending on the type and purpose of the spare part.
- The list of spare parts and the ordering procedure are available on the websites of the manufacturer, importer or an authorized representative.

INSTALLATION AND OPERATING CONDITIONS OF THE APPLIANCE

- Connect the appliance to the power supply 24 hours after unpacking and setting in the final location.
- Take the product out of the package, remove the scotch tape protecting the door and the equipment. Any remaining adhesive stains may be removed with a mild washing agent.
- Clean the interior surface of the cooler and the elements of the equipment with a washing agent dissolved in lukewarm water, then wipe it dry.
- Place the cooler on an even, flat and stable surface, in dry, aired and shaded room, far from the heat sources such as: oven, hob, central heating radiators, central heating pipes, hot water installation, etc.
- On the exterior surface of the product may be a protective foil, this foils should be removed.
- Make sure the appliance is placed in a horizontal position by screwing in the 2 adjustable front legs (fig. 1)

- Keep free space on the sides and rear of the appliance (see installation drawing)
- When you install your wine cooler inside a furniture cabinet, make sure that the ventilation grille located in the bottom of the appliance is not blocked.
- Odours may be released when you first start your appliance. It will dissipate when the interior of the appliance cools down
- When you first start your wine cooler, the compressor will run continuously until the desired temperature is reached inside the chamber
- When you unplug your appliance from the power supply, it is recommended to wait 5 minutes before you plug it back in. This will reduce the risk of damage to the compressor.
- On selected models, the correct temperature will be shown on the display only a few hours after the wine cooler has been put into operation
- This appliance should be connected to AC 220-240V 50Hz supply socket. The socket must be fitted properly, and must be supplied with an earthing conduit and a 10A fuse.
- It is a legal requirement that the appliance is properly earthed. The manufacturer will not be held liable for any damage or injury which may result from the failure to fulfil this requirement.
- Do not use adapters, multiple sockets and two-wire extension leads. If it is necessary to use the extension lead, it must be equipped with a protection ring and a single socket and must have a VDE/GS safety certificate.
- If an extension lead is used (with a protection ring and safety certificate), its socket must be located at a safe distance, away from the sinks, and must not be in a place where it could be flooded by water or waste water.
- Make sure the appliance can be easily disconnected from the mains, either by pulling the plug out of the mains socket, or by switching the two-pole switch off.

Climate range

The information about the climate range of the appliance is provided on the rated plate. It indicates at which ambient temperature (that is, room temperature, in which the appliance is working) the operation of the appliance is optimal (proper).

Climate class		Allowable ambient temperature
SN	Extended Temperate	This refrigeration appliance is intended for use at an ambient temperature ranging between 10°C and 32°C
N	Temperate	This refrigeration appliance is intended for use at an ambient temperature ranging between 16 °C and 32°C
ST	Subtropical	This refrigeration appliance is intended for use at an ambient temperature ranging between 16 °C and 38 °C
T	Tropical	This refrigeration appliance is intended for use at an ambient temperature ranging between 16 °C and 43 °C

PRACTICAL EVERYDAY TIPS

- If the light inside the appliance remains turned on, keep in mind that the temperature inside the appliance will be higher
- Temperature inside the appliance depends on the amount and type of stored wine bottles
- To ensure user safety and high quality of stored wine, do not install the appliance in damp rooms
- Store wine bottles in designated spaces
- Your wine cooler has a limited capacity. Do not place more bottles in your wine cooler than recommended in specification
- Do not open the wine cooler door if it is not necessary
- Do not cover the shelves with aluminium foil or other material. This blocks the air circulation inside the appliance
- To avoid damage to the door seal, make sure that the door is completely open before pulling out the shelf. The shelves should be inserted as far as possible, otherwise the shelf may deform and damage the door seal.
- Do not extend the loaded shelves beyond the extension limit (about 1/3 of the shelf length)
- This appliance is designed for storing bottles of wine. Do not use it for any other purpose.
- Temperature stability is very important when storing wine.
- Exposing your wine cooler to sunlight, significant temperature fluctuations, high humidity and vibrations may cause the wine to go bad.
- In periods of high humidity, condensed water vapour may appear on the outer surfaces of the glass door. To prevent this, install the appliance in a dry, adequately ventilated room.
- Selected models have an external handle. You need to install it on your own. Do not use electric tools for this purpose (fig. 3*). To do this, pull the door seal slightly to the side and place the screws on the inside of the door. Align the handle with the holes on the outside of the door and tighten the screws with a screwdriver. Reinstall the door seal.
- The maximum capacity of the appliance is given in the product sheet enclosed with the wine cooler. This capacity applies to standard 0.75 litre bottles of Bordeaux.
- Selected models have an Anti-tip kit. Install it according to the enclosed diagram (fig. 6*).
- This refrigeration appliance is intended for use as a built-in appliance.
- To achieve the most effective food preservation for the longest possible time and to avoid wasting any food, position the products as shown in Figure 12. In addition, this figure illustrates the layout of drawers, baskets and shelves, which allows the most efficient use of energy.
- Optimal temperature and storage conditions will extend product shelf life and optimize electricity consumption. Optimal storage temperature range should be stated on the food product packaging.

*According to the model

UNPACKING



During transportation, protective packaging was used to protect the appliance against any damage. After unpacking, please dispose of all elements of packaging in a way that will not cause damage to the environment.

All materials used for packaging the appliance are environmentally friendly; they are 100% recyclable and are marked with the appropriate symbol.

Important! Packaging materials (bags, polyethylene, polystyrene, etc.) should be kept away from children during unpacking.

DISPOSAL OF OLD APPLIANCE



In accordance with European Directive 2012/19/EU and local legislation regarding used electrical and electronic goods, this appliance is marked with the symbol of the crossed-out waste container. This marking indicates that the appliance must not be disposed of together with other household waste after it has been used.

The user is obliged to hand it over to waste collection centre collecting used electrical and electronic goods. The collectors, including local collection points, shops and local authority departments provide recycling schemes.

Proper handling of used electrical and electronic goods helps avoid environmental and health hazards resulting from the presence of dangerous components and the inappropriate storage and processing of such goods.

CONTROLS

Appliance controls- single and dual zone





The control panel is shown in figure 4. For reference it is also shown below:

Single zone



Dual zone



-  – Power button
-  – Light button
-  – “+” button
-  – “-” button

To switch the power on/off

Press and hold the power button for one second to switch the wine cooler on.

Press and hold the power button for five seconds to switch the wine cooler off.

To change the temperature

- Press the “+” or “-” buttons until the required temperature is shown on the display.
- The Preset temperature is 12°C / 54° F.
- To change the temperature display from Fahrenheit to Celsius, or Celsius to Fahrenheit, press and hold the light button for five seconds.
- To view the set temperature, touch the “+” or “-” button at any time and the set temperature will flash in the LED display for five seconds.
- The display shows the current internal temperature when the wine cooler is on.

Note: The temperature in the lower zone must be set either the same as or higher than the temperature in the upper zone. The difference in temperatures in both chambers cannot exceed 4 °C.

Optimal temperature selection

Whilst wine is best stored at temperatures between 13 and 15° C, your wine can also be stored at drinking temperature. For red wine this is between 15 and 17° C, and for white wine between 12 and 13° C.

To use the internal light

Press the light button to switch the light on or off.

Internal Humidity

According to the model wine coolers are equipped with a humidity system to maintain optimal humidity within the wine cooler. Fill the humidity reservoir approximately 3/4 full with water. Place the reservoir on the runners on the top shelf as shown in fig. 2. Ensure it is located correctly to prevent water spillage. Check the water level regularly and refill if required.

Temperature display

The temperature display will show the current internal temperature.

The display flashes:

- When a different temperature is being set
 - If the internal temperature is +/- 5° away from the set temperature.
- This serves as a warning to prevent damage to the contents of the appliance should the temperature be too high.

Silent mode

Once the required temperature is reached, the appliance will run without the fan. The wine cooler is factory set to silent mode. To change to dynamic cooling mode, touch and hold the "-" button for approximately five seconds (left hand "-" button on 2-Zone coolers). The wine cooler will beep five times to confirm dynamic cooling is on.

Dynamic cooling mode

The fan cycles on and off to circulate the air even after the required temperature is reached. This ensures consistent humidity and temperature distribution in the wine cooler, creating perfect conditions for long term storage.

Using the dynamic mode increases the level of noise in operation.

To change to silent mode, touch and hold the "+" button for approximately five seconds (left hand "+" button on 2-Zone coolers). The wine cooler will beep three times to confirm silent mode is on.

Weekend mode

This will switch off the displays, interior light and audible alarms. The cooling process will continue.

To switch the Weekend mode on, touch and hold the power and light keys simultaneously for five seconds. The indicator light will flash four times and confirm the mode is on. Mode will switch off automatically after 48 hours, but to switch the mode off at any time, touch and hold the power and light keys simultaneously for five seconds.

Temperature alarm

If the temperature rises or falls outside the set temperature range, an alarm will sound and the display will flash. This may be because:

- The wine cooler has not yet reached the set temperature (when first switched on).
- There has been a power failure.
- The wine cooler has been overloaded.
- The door is not closed properly.

CARE AND CLEANING

Always disconnect the appliance from the mains electrical supply before any cleaning or maintenance.

Removing the shelves

- To remove a shelf from the wine cooler, first remove all bottles from the shelf, then pull the shelf forwards until the groove on either side of the shelf is level with the plastic peg on either side of the cabinet (as shown in fig 5). Then lift the shelf up and pull forwards.
- To replace the shelves, follow the steps above in reverse order.

Cleaning

- Do not use abrasive products or detergents. After washing, rinse and dry thoroughly.
- The exterior of the appliance and the door seal should be cleaned using mild soapy water and dried thoroughly.
- The interior cabinet should be cleaned using a solution of bicarbonate of soda and lukewarm water.
- Clean the shelves separately by hand using soap and water. Do not put them in the dishwasher.
- Ensure that the cloth is only moist when cleaning the control panel and electrical parts, and that all water is thoroughly dried off before reconnecting the power.
- Once cleaning is complete, reconnect the mains electrical supply.
- If the appliance is not to be used for prolonged periods of time, unplug and clean the appliance thoroughly. The door should be left slightly ajar to prevent the formation of odours or condensation

TROUBLESHOOTING

If you have any problems with your appliance, you should check the troubleshooting guide prior to calling Call Center to prevent unnecessary service calls and potential cost.

If the appliance is not working, check

- There is power to the appliance
- The house fuses or circuit breakers are intact and the fuse in the plug has not blown.
- The plug socket is functioning correctly. To check this, plug another electrical appliance in to see if the socket is working.
- The ambient temperature is between 16°C to 32°C.

The appliance is working, but not very well, check

- The appliance is not overloaded.
- The thermostat is set to an appropriate temperature.
- The door is closing properly.
- The door gasket is sealing properly
- There is enough ventilation at the side and rear walls.
- The ambient temperature is between 16°C to 32°C.

The appliance is noisy, check

- The appliance is level and stable.
- The cooling gas will make some noise, even when the compressor is not running.
- During operation, it is normal for the fan to run, even when the compressor is not running.

The light does not work, check

- There is power to the appliance.
- The house fuses or circuit breakers are intact and the fuse in the plug has not blown.
- The light button is not set to off.

Please note:

The LED lighting cannot be replaced without a service call

The door will not close properly, check

- The appliance is level and stable.
- If the door has been removed, it may not have been correctly refitted.
- The door seal is dirty.
- The shelves are not positioned correctly.

The display shows "E1" or "E2"

- The temperature sensor has failed. Please contact Call Center

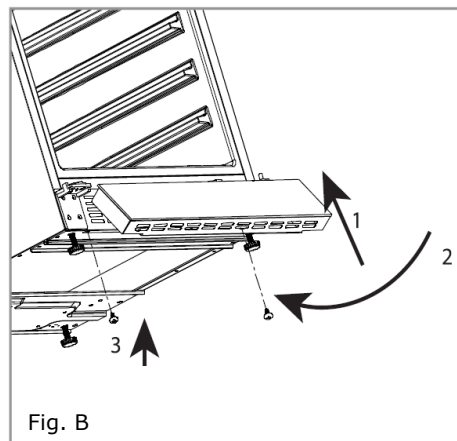
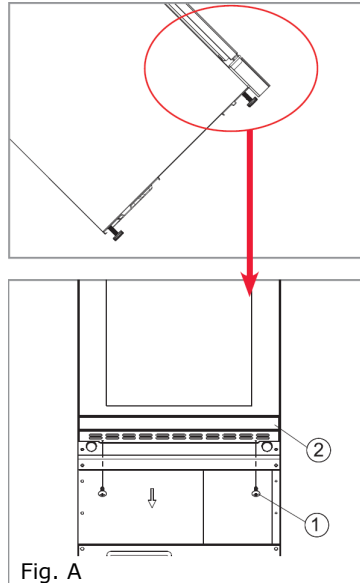
EPREL

For more information about the product, please refer to the EU EPREL Product Database at <https://eprel.ec.europa.eu>. For more information, please use your mobile device to scan the QR code on the energy label or enter the product model listed on the energy label in the EPREL search engine <https://eprel.ec.europa.eu/>

FITTING THE PLINTH

We recommend the help of at least one other individual throughout this process. Protect the area beneath the door and plinth with several clean towels or similar protective means. Do not tilt the appliance further than 45° during this process. Allow the cooler to settle for at least 8 hours before switching on after tilting.

1. Unscrew and remove the two screws that are used to fix the plinth and bottom bracket (Fig. A).
2. Insert the tabs on the glass fronted plinth section into the top slots of the metal plinth, as per part 1 of Fig. 14. Manoeuvre the plinth so that the holes in the inner lip of the glass fronted plinth section are level with the holes in the metal plinth (2 in Fig. B).



WARRANTY AND AFTER SALES SERVICE

Warranty

The manufacturer shall not be held liable for any damage caused by improper use of the product.

Service

- The manufacturer recommends that all repairs and adjustments be carried out by the Factory Service Technician or the Manufacturer's Authorized Service Point. For safety reasons, repairs should be referred to professionals.
- Repairs carried out by unqualified persons may seriously endanger the appliance user.
- The minimum warranty period for the appliance offered by the manufacturer, importer or authorized representative is given in the warranty card.
- The warranty shall be void if you make any independent adaptations or alterations, tamper with seals or other appliance safety devices or its parts or interfere with the appliance contrary to operating instructions.

In the event of appliance malfunction, request assistance or repair.

If your appliance needs repair, please contact the service centre. Please see website for address and contact details of our service centre. Before contacting us, please have ready the appliance serial number, which can be found on the identification sticker: For your convenience, please write it down below:

--	--	--	--	--	--	--	--	--	--	--	--	--	--	--

Certificate of compliance CE and UKCA

The Manufacturer hereby declares that this product complies with the general requirements pursuant to the following European Directives and analogous UK requirements:

- The Low Voltage Directive 2014/35/EC / Electrical Equipment (Safety) Regulations 2016.
- Electromagnetic Compatibility Directive 2014/30/EC / Electromagnetic Compatibility Regulations 2016.
- ErP Directive 2009/125/EC / The Ecodesign for Energy-related Products Regulations 2010 (as amended) for the applicable implementing measures which apply in Great Britain and Northern Ireland, respectively.

and therefore the product has been marked with **CE** and **UKCA** symbols and the Declaration of Conformity, the Manufacturer has drawn up the declaration and is available to the competent authorities regulating the market.

Sehr geehrter Kunde,

Von heute an werden Ihre alltäglichen Pflichten einfacher denn je. Dieses Gerät **Amica** ist eine Verbindung einer außergewöhnlich leichten Bedienung und einer perfekten Effizienz. Nachdem Sie diese Bedienungsanleitung gelesen haben, ist die Bedienung des Gerätes kein Problem mehr.

Bevor das Gerät das Herstellerwerk verlassen konnte, wurde er vor dem Verpacken gründlich auf deren Sicherheit und Funktionalitäten an Prüfständen überprüft.

Bevor das Gerät in Betrieb genommen wird, lesen Sie bitte die Bedienungsanleitung aufmerksam durch. Befolgen Sie die darin stehenden Hinweise, vermeiden Sie verschiedene Bedienfehler. Diese Bedienungsanleitung ist zu erhalten und so aufzubewahren, dass sie jederzeit bei der Hand ist.

Zur Vermeidung möglicher Unfälle befolgen Sie die in der Bedienungsanleitung stehenden Hinweise genau.


Mit freundlichen Grüßen

Amica

SICHERHEITSHINWEISE

- Das Gerät ist ausschließlich für den Einsatz im Haushalt bestimmt.
- Der Hersteller behält sich das Recht vor, Änderungen vorzunehmen, die Gerätefunktion nicht beeinträchtigen.
- Der Hersteller haftet nicht für die Schäden, die Folge der Nichteinhaltung inder vorliegenden Gebrauchsanweisung angeführten Prinzipien sind.
- Bewahren Sie diese Gebrauchsanweisung auf, um sie in Zukunft auszunutzenoder einem eventuellen Nachbesitzer übergeben zu können.
- Das Gerät darf nicht durch Personen (darunter auch Kinder) mit eingeschränkten körperlichen, sinnlichen oder psychischen Fähigkeiten sowie durch unerfahrene sowie solche Personen, die das Gerät nicht kennen, bedient werden, es sei denn, es geschieht unter Aufsicht oder gemäß der Anweisungen der für ihre Sicherheit verantwortlichen Personen.
- Erlauben Sie nicht den Kindern das Gerät ohne Aufsicht zu bedienen. Erlauben Sie den Kinder nicht mit dem Gerät zu spielen. Lassen Sie die Kinder nicht sich auf die aufschiebbaren Bestandteile des Kühlschranks zu setzen oder auf der Kühlschranktür zu hängen.
- Das Gerät arbeitet ordnungsgemäß bei einer Raumtemperatur, die in der Tabelle mit der technischen Spezifikation angegeben ist. Das Gerät ist nur für den Gebrauch in Innenräumen geeignet, allerdings nicht in unbeheizten Kellerräumen, Hausfluren oder Sommerhäusern.
- Zum Aufstellen und Verschieben des Gerätes dürfen nie die Türgriffe, die Kondensatorröhrchen oder die Kompressoreinheit benutzt werden.
- Vor jeder Wartungsarbeit ist der Netzstecker aus der Steckdose zu entfernen. (Nicht am Kabel, sondern immer am Netzstecker ziehen).

- Knackende Geräusche sind eine Folge der Materialausdehnung bzw. -zusammenziehung einzelner Bauelemente, die durch Temperaturschwankungen des Kühlmittels hervorgerufen werden.
- Aus Sicherheitsgründen ist das Gerät niemals selbständig zu reparieren, sondern nur durch Mitarbeiter einer autorisierten Fachwerkstatt. Nur so bleibt die vom Hersteller gewährte Garantie erhalten.
- Das Kühlsystem niemals beschädigen. Das Kältemittel ist leicht entflammbar. Bei Kontakt mit den Augen sofort gründlich mit Wasser spülen und einen Arzt konsultieren.
- Hinweis! Sollte das nicht trennbare Netzanschlusskabel beschädigt werden, sollte dieses beim Hersteller oder in einer Fachwerkstatt durch eine qualifizierte Person zur Vermeidung der Gefahr neu besorgt werden.
- Das Gerät ist für die Dauer solcher Handlungen wie Reinigung, Wartung oder Änderung des Aufstellungsstandortes von der Stromversorgung ganz (durch Ziehen des Netzsteckers aus der Steckdose) zu trennen.
- Das Gerät kann von Kindern ab 8 Jahren und Personen mit eingeschränkten physischen, sensorischen oder geistigen Fähigkeiten oder mit mangelnder Erfahrung und Unkenntnis verwendet werden, wenn sie in die sichere Verwendung des Geräts eingewiesen wurden und sie die mit ihm verbundenen Gefahren verstanden haben. Kinder dürfen nicht mit dem Gerät spielen. Die Reinigung und Wartung des Gerätes dürfen von Kindern nicht erfolgen, es sei denn, dass sie das 8. Lebensjahr vollendet haben und von einer zuständigen Person beaufsichtigt wurden.
- Reinigen Sie das Gerät nicht mit Dampf.
- Halten Sie das Gerät und das Netzkabel von Kindern unter acht Jahren fern.
- Vermeiden Sie Situationen, in denen das Netzkabel oder der Stecker mit Wasser in Berührung kommen.

- Vermeiden Sie den Kontakt des Netzkabels mit Wärmequellen.
- Vermeiden Sie, dass das Netzkabel am Tisch oder Arbeitsblatt herunterhängt.
- Benutzen Sie keine elektrischen Geräte im Inneren des Schrankes.
- Benutzen Sie kein Werkzeug, um das Abtauen zu beschleunigen.
- Reinigen Sie regelmäßig die Lüftungsöffnungen des Geräts (bei Einbau- oder Unterbaugeräten).
- Das Gerät ist nicht für die Steuerung mit elektronischen Zeitschaltuhren oder anderen Geräten für die Direkt- oder Fernabschaltung der Stromversorgung konzipiert.
- Im Fall des versehentlichen Verschüttens von Flüssigkeiten auf die elektrischen Teile, das Gerät sofort von der Stromversorgung trennen.
- Vergewissern Sie sich, dass das Netzkabel bei der Montage nicht geknickt oder beschädigt wurde.
- Bevor das Gerät entsorgt wird, muss es unbrauchbar gemacht werden. Dazu muss es von der Stromversorgung getrennt und das Netzkabel abgeschnitten werden. Damit keine Kinder oder Tiere im Gerät eingeschlossen werden können, nehmen Sie Tür, Scharniere und Schlösser ab.
- Hinweis: Wenn das Gerät kein Gefrierfach  besitzt, bedeutet das, dass der Kühlschrank nicht zum Einfrieren von Lebensmitteln geeignet ist.
- Der Mindestzeitraum, für den zur Reparatur des Geräts erforderlichen Ersatzteile erhältlich sind, beträgt je nach Art und Zweck des Ersatzteils 7 oder 10 Jahre und entspricht der Verordnung (EU) 2019/2019 der Kommission.
- Die Ersatzteilliste und das Bestellverfahren finden Sie auf den Websites des Herstellers, des Einführers und des Vertragshändlers.

INBETRIEBNAHME UND BETRIEBSBEDINGUNGEN DES GERÄTES

- Schließen Sie das Gerät erst 24 Stunden nachdem Sie es ausgepackt und an seinem Standort aufgestellt haben, an den Netzstrom an.
- Das Gerät auspacken. Klebebänder entfernen. Eventuell verbliebene Kleberreste können mit einem milden Reinigungsmittel beseitigt werden.
- Das Innere des Gerätes und seine Ausstattungselemente mit lauwarmem Wasser unter Zusatz eines Geschirrspülmittels abwaschen und trocknen lassen.
- Das Gerät auf einem ebenen, horizontalen und stabilen Grund in einem trockenen und belüftbaren Raum aufstellen. Nicht direkter Sonnenbestrahlung aussetzen. Nicht in der Nähe von Wärmequellen wie Herde Heizkörper, Zentralheizung oder Heisswasser-Anlagen aufstellen.
- Entfernen Sie vor Inbetriebnahme des Geräts die Schutzfolie.
- Das Gerät sollte möglichst eben aufgestellt werden – Unterschiede können dank der höhenverstellbaren Füße ausgeglichen werden (Abb. 1).
- Sorgen Sie für Freiraum neben und hinter dem Gerät (siehe Montagezeichnung).
- Vergewissern Sie sich, dass durch den Einbau des Geräts nicht die Lüftungsgitter unten am Kühlschrank blockiert werden.
- Nach der ersten Inbetriebnahme des Geräts kann ein spezifischer Geruch entstehen. Der Geruch verschwindet, wenn das Innere des Geräts gekühlt wird.
- Bei der ersten Inbetriebnahme läuft der Kompressor zunächst ununterbrochen, bis die gewünschte Temperatur im Kühlschrank erreicht ist.
- Falls Sie die Stromversorgung des Geräts trennen, warten Sie mind. 5 Minuten, bevor Sie es wieder anschließen. Dadurch vermeiden Sie eine Beschädigung des Kompressors.
- Bei bestimmten Modellen wird die richtige Temperatur erst mehrere Stunden nach der Inbetriebnahme des Kühlschranks angezeigt.
- Das Gerät ist an eine 230V / 50 Hz Wechselstromleitung über eine vorschriftsmäßig installierte, geerdete und durch eine 10A –Sicherung geschützte Steckdose anzuschließen.
- Das Gerät erfüllt die VDE – Norm. Der Hersteller lehnt jede Haftung für eventuell entstandene Schäden ab, deren Ursachen auf das Nichtbefolgen dieser Vorschrift zurückzuführen sind.
- Keine Adapter, Mehrfachstecker oder zweiadrige Verlängerungskabel ohne Nullleiter verwenden. Sollte ein Verlängerungskabel nötig sein, muss es der VDE/GS – Norm entsprechen.
- Verlängerungsschnur verwendet wird, muss sich die Steckdose in einem sicheren Abstand zu Amaturen mit fließendem Wasser befinden.
- Das Gerät muss problemlos vom Stromnetz zu trennen sein, indem man den Stecker herauszieht oder den zweipoligen Schalter betätigt.

KLIMAKLASSE

Die Information über die Klimaklasse des Gerätes befindet sich auf dem Typenschild. Sie zeigt, in welcher Umgebungstemperatur (d.h. Temperatur des Raumes, in dem das Gerät betrieben wird) das Gerät optimal funktioniert.

Klimaklasse		Zulässige Umgebungstemperatur
SN	subnormal	Das Kühlgerät ist für Umgebungstemperaturen von 10 °C bis 32 °C geeignet.
N	normal	Das Kühlgerät ist für Umgebungstemperaturen von 16 °C bis 32 °C geeignet.
ST	subtropisch	Das Kühlgerät ist für Umgebungstemperaturen von 16 °C bis 38 °C geeignet.
T	tropisch	Das Kühlgerät ist für Umgebungstemperaturen von 16 °C bis 43 °C geeignet.

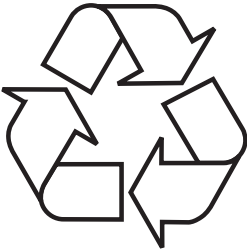
PRAKTISCHE RATSCHLÄGE

- Wenn das Licht im Gerät eingeschaltet bleibt, denken Sie daran, dass die Temperatur im Gerät dadurch ansteigt.
- Die Temperatur im Kühlschrank ist von der Menge und der Art der gelagerten Weinflaschen abhängig.
- Um die Gebrauchssicherheit und eine hohe Qualität des gelagerten Weins zu gewährleisten, stellen Sie das Gerät nicht in feuchten Räumen auf.
- Lagern Sie die Weinflaschen an den dafür vorgesehenen Stellen.
- Der Kühlschrank hat eine begrenzte Kapazität, lagern Sie nicht mehr Flaschen als angegeben (siehe Produktdatenblatt).
- Öffnen Sie die Tür des Kühlschranks nicht unnötig.
- Decken Sie die Regale nicht mit Alufolie oder einem anderen Material ab. Dadurch würde die Luftzirkulation im Gerät blockiert.
- Damit die Türdichtung nicht beschädigt wird, vergewissern Sie sich, dass die Tür vollständig geöffnet ist, bevor Sie ein Regal herausziehen. Die Regale müssen bis zum Anschlag in den Kühlschrank geschoben werden, da sie sonst die Dichtung verformen und dadurch vollkommen beschädigen können.
- Ziehen Sie die beladenen Regale nicht weiter als bis zu Ausziehgrenze heraus (etwa 1/3 der Regallänge).
- Das Gerät ist für die Lagerung von Weinflaschen bestimmt, verwenden Sie es nicht für andere Zwecke.
- Die Temperaturbeständigkeit ist sehr wichtig bei der Weinlagerung.
- Wird das Gerät Sonneneinstrahlung, starken Temperaturschwankungen, hoher Feuchtigkeit oder Vibrationen ausgesetzt, kann das dazu führen, dass der Wein nicht mehr genießbar ist.
- Bei hoher Luftfeuchtigkeit kann sich auf den Außenflächen der Glasstür Kondensationswasser bilden. Um das zu verhindern, sollte das Gerät in einem trockenen, ausreichend gelüfteten Raum aufgestellt werden.

- Bestimmte Modelle haben einen Außengriff, diesen müssen Sie selber anschrauben. Benutzen Sie dazu kein Elektrowerkzeug (Abb. 3). Ziehen Sie dafür die Türdichtung etwas zur Seite und setzen Sie die Schrauben innen an die Tür. Richten Sie den Griff an den Löchern außen an der Tür aus und ziehen Sie die Schrauben mit einem Kreuzschlitzschraubenzieher fest. Befestigen Sie die Türdichtung wieder.
- Die maximale Kapazität des Geräts ist im beiliegenden Produktdatenblatt angegeben. Diese Kapazität bezieht sich auf Standardflaschen vom Typ Bordeaux 0,75 l.
- Bestimmte Modelle verfügen über einen Kippschutz. Bringen Sie den Kippschutz gemäß dem Diagramm an (Abb. 6*).
- Dieser Kühlgerät ist für den Einbau bestimmt.
- Damit sich die Lebensmittel so gut und so lange wie möglich halten und nicht verderben, sollten sie wie in Abb. 12 gezeigt im Kühlschrank untergebracht werden. Die Abbildung zeigt außerdem die beste Anordnung der Schubladen, Körbe und Fachböden im Hinblick auf einen möglichst effektiven Energieverbrauch des Geräts.
- Durch die Aufbewahrung der Lebensmittel bei geeigneten Bedingungen und Temperaturen halten sich die Lebensmittel länger, und der Stromverbrauch wird optimiert. Auf den Verpackungen oder Etiketten der Lebensmittel ist normalerweise angegeben, bei welchen Temperaturen sie aufbewahrt werden sollten.

* Modell abhängig

AUSPACKEN



Das Gerät wird gegen Transportschäden geschützt. Nach dem Auspacken sind die Verpackungsmaterialien so zu entsorgen, dass dadurch kein Risiko für die Umwelt entsteht. Alle Materialien, die zur Verpackung verwendet werden, sind umweltverträglich, können hundertprozentig wiederverwertet werden und sind mit entsprechendem Symbol gekennzeichnet.

Hinweis! Die Verpackungsmaterialien (Polyethylenbeutel, Styroporstücke usw.) sind beim Auspacken außer Kinderreichweite zu halten.

ENTSORGUNG VON ALTGERÄTEN



Dieses Gerät wurde gemäß der Europäischen Richtlinie 2012/19/EG. Eine solche Kennzeichnung informiert darüber, dass dieses Gerät nach dem Ablauf des Nutzungszeitraumes nicht zusammen mit anderen Hausabfällen gelagert werden darf.

Der Benutzer ist verpflichtet, das Gerät an einem Sammelpunkt für verschlissene elektrische und elektronische Geräte abzugeben. Die die Sammlung durchführenden Einheiten, darunter lokale Sammelpunkte, Geschäfte und gemeindeeigene Einheiten, bilden ein entsprechendes System, welches die Abgabe dieses Gerätes ermöglicht.

Die richtige Vorgehensweise mit Elektro- und Elektronikschrott trägt zur Verhinderung schädlicher Folgen für die menschliche Gesundheit und die natürliche Umwelt bei, die aus der Anwesenheit von Schadstoffen sowie einer falschen Lagerung und Weiterverarbeitung solcher Materialien folgen.

STEUERUNGSKOMPONENTEN

Steuerungskomponenten- ein und zwei Zonen

Abbildung 4 zeigt Bedienfeld. Ebenfalls gezeigt werden:

Eine Zone



Zwei Zonen



- Netztaaste
- Lichttaaste
- „+“-Taste
- „-“-Taste

Strom einschalten / ausschalten

Um den Weinkühlschrank einzuschalten, müssen Sie die Netztaaste 1 Sekunde lang drücken.

Um den Weinkühlschrank auszuschalten, müssen Sie die Netztaaste 5 Sekunden lang drücken.

Änderung der Temperatur

- Drücken Sie die „+“- oder die „-“-Taste, um die angemessene Temperatur im Display anzuzeigen.
- Die Temperatur ist auf 12 °C / 54 °F voreingestellt.
- Um die Temperatureinheit von Fahrenheit zu Celsius oder umgekehrt umzustellen, müssen Sie die Lichttaaste 5 Sekunden lang drücken.
- Um die eingestellte Temperatur zu überprüfen, können Sie jederzeit die „+“- oder die „-“-Taste drücken und die eingestellte Temperatur blinkt 5 Sekunden lang in der LED-Anzeige.
- Wenn der Weinkühlschrank eingeschaltet ist, gibt die Anzeige die aktuelle Innentemperatur an.

Hinweis: Die Temperatur in der unteren Zone muss entweder dieselbe sein, wie in der oberen Zone, oder höher. Eine optimale Funktion wird gewährleistet, wenn zwischen den beiden Zonen ein Temperaturunterschied von mindestens 4 °C besteht.

Wahl der optimalen Temperatur

Wein lagert man am besten bei 13-15 °C, kann aber auch bei Servier-temperatur gelagert werden. Für Rotwein ist das 15-17 °C und für Weißwein 12-13 °C.

Innenbeleuchtung

Mit der Lichttaste können Sie das Licht ein- und ausschalten.

Luftfeuchtigkeit im Kühlschrank

Bestimmte Modelle von Weinkühlschränken verfügen über ein System zur Aufrechterhaltung der optimalen Luftfeuchtigkeit im Kühlschrank. Füllen Sie den Behälter des Feuchtigkeitssystems bis zu 3/4 mit Wasser. Stellen Sie den Behälter auf die Schienen des oberen Fachs, wie in Abb. 2 gezeigt. Sorgen Sie dafür, dass der Behälter sicher steht, damit kein Wasser auslaufen kann. Prüfen Sie den Wasserstand regelmäßig und füllen Sie, falls nötig, Wasser nach.

Temperaturanzeige

Die Temperaturanzeige zeigt die aktuelle Temperatur im Schrank.

Die Anzeige blinkt:

- während der Einstellung einer anderen Temperatur
- wenn die Innentemperatur um +/- 5° von der eingestellten Temperatur abweicht.

Dies dient zur Warnung vor einer möglichen Schädigung des Kühlschrankinhalts, wenn die Temperatur übermäßig ansteigt.

Leiser Betrieb

Wenn die erforderliche Temperatur erreicht ist, funktioniert das Gerät ohne Ventilator.

Der Weinkühlschrank ist auf leisen Betrieb voreingestellt. Um diese Einstellung auf dynamische Kühlung umzuschalten, müssen Sie die „-“-Taste 5 Sekunden lang drücken (in Weinkühlschränken mit zwei Zonen die „-“-Taste auf der linken Seite). Daraufhin ertönt fünfmal ein Lautsignal, um anzuzeigen, dass die dynamische Kühlung eingeschaltet wurde.

Dynamische Kühlung

Der Ventilator schaltet sich abwechselnd ein und aus, um die Luftzirkulation auch dann zu gewährleisten, wenn die erforderliche Temperatur erreicht ist. Dadurch wird für eine beständige und gleichmäßige Luftfeuchtigkeit und Temperatur im Kühlschrank sowie für ideale Bedingungen für langfristige Lagerung gesorgt.

Durch die dynamische Kühlung erhöht sich die Geräuschemission des Geräts.

Um auf leisen Betrieb umzuschalten, müssen Sie die „+“-Taste 5 Sekunden lang drücken (in Weinkühlschränken mit zwei Zonen die „+“-Taste auf der linken Seite). Daraufhin ertönt dreimal ein Lautsignal, um anzuzeigen, dass der leise Betrieb eingeschaltet wurde.

Wochenendmodus

In diesem Betriebsmodus sind die Anzeige, die Schrankbeleuchtung und die Lautsignale ausgeschaltet. Die Kühlfunktion bleibt jedoch erhalten. Um den Wochenendmodus einzuschalten, drücken Sie gleichzeitig 5 Sekunden lang die Netz- und die Lichttaste. Daraufhin blinkt die Anzeige viermal, um anzuzeigen, dass der Wochenendmodus eingeschaltet wurde. Der Wochenendmodus schaltet sich nach 48 Stunden automatisch ab. Sie können in auch jederzeit abschalten, indem Sie die Netz- und die Lichttaste gleichzeitig 5 Sekunden lang drücken.

Temperatur-Alarm

Wenn die Temperatur ansteigt oder unter einen bestimmten Grenzwert fällt, ertönt ein Lautsignal und die Anzeige beginnt zu blinken. Mögliche Ursachen:

- Der Kühlschrank hat die eingestellte Temperatur noch nicht erreicht (nach dem ersten Einschalten).
- Es hat einen Stromausfall gegeben.
- Der Weinkühlschrank ist überladen.
- Die Tür ist nicht richtig geschlossen.

REINIGUNG UND WARTUNG

Trennen Sie das Gerät immer vom Netzstrom, bevor Sie es reinigen oder warten.

Herausnehmen der Regale

- Um die Regale aus dem Weinkühlschrank zu nehmen, müssen Sie zunächst alle Weinflaschen herausnehmen und dann das Regal nach vorne ziehen, bis die Einkerbungen auf beiden Seiten des Regals mit den Plastikeinsätzen an den Innenseiten des Schrankes auf einer Höhe sind (siehe Abb. 5). Heben Sie dann das Regal an und ziehen es heraus.
- Um das Regal wieder einzulegen, gehen Sie in umgekehrter Reihenfolge vor.

Reinigung

- Benutzen Sie keine scheuernden Materialien oder Reinigungsmittel. Abgewaschene Regale müssen abgespült und sorgfältig abgetrocknet werden.
- Das Gehäuse und die Türdichtungen mit Wasser und sanften Reinigungsmitteln säubern und dann sorgfältig abtrocknen.
- Innen können Sie den Schrank mit einer Sodalösung in warmem Wasser reinigen.
- Die Regale einzeln mit Reinigungsmittel abwaschen. Die Regale nicht in der Spülmaschine reinigen.
- Das Bedienfeld und die elektrischen Teile mit einem feuchten Tuch abwischen und gut abtrocknen, bevor Sie das Gerät wieder an den Strom anschließen.
- Nach der Reinigung das Gerät wieder an den Strom anschließen.
- Sollte das Gerät für längere Zeit nicht genutzt werden, trennen Sie es vom Netzstrom und reinigen Sie es gründlich. Lassen Sie die Tür leicht geöffnet, damit kein Geruch und kein Kondenswasser entsteht.

PROBLEMLÖSUNG

Bei Problemen sollten Sie, bevor Sie den Kundendienst rufen, versuchen, die Probleme anhand der Hinweise selbst zu lösen, um unnötige Servicebesuche und Kosten zu vermeiden.

Wenn das Gerät nicht funktioniert, prüfen Sie:

- Ob das Gerät an den Netzstrom angeschlossen ist.
- Die Sicherungen und Schutzschalter im Haus sind intakt und die Sicherung im Stecker wurde nicht ausgelöst.
- Ob die Steckdose intakt ist. Schließen Sie ein anderes Elektrogerät an, um sich zu vergewissern, dass die Steckdose intakt ist.
- Die Umgebungstemperatur muss zwischen 16°C und 32°C liegen.

Wenn das Gerät zwar funktioniert, aber nicht gut, prüfen Sie:

- Ob das Gerät nicht überladen ist.
- Ob das Thermostat auf die richtige Temperatur eingestellt ist.
- Ob die Tür richtig geschlossen ist.
- Ob die Türdichtung korrekt anliegt.
- Ob die Lüftung neben und hinter dem Gerät ausreichend ist.
- Die Umgebungstemperatur muss zwischen 16°C und 32°C liegen.

Wenn das Gerät Lärm macht, prüfen Sie:

- Ob das Gerät waagrecht und stabil steht.
- Das Kühlgas verursacht Lärm, auch wenn der Kompressor nicht läuft.
- Wenn das Gerät eingeschaltet ist, kann der Ventilator angehen, auch wenn der Kompressor nicht in Betrieb ist.

Wenn die Beleuchtung nicht funktioniert, prüfen Sie:

- Ob das Gerät an den Netzstrom angeschlossen ist.
- Die Sicherungen und Schutzschalter im Haus sind intakt und die Sicherung im Stecker wurde nicht ausgelöst.
- Die Lichttaste steht nicht in der Aus-Position.

Achtung:

Die LED-Lampen müssen von einem Servicetechniker ausgewechselt werden.

Wenn die Tür nicht richtig schließt, prüfen Sie:

- Ob das Gerät waagrecht und stabil steht.
- Wenn die Tür abgenommen wurde, ist sie möglicherweise nicht wieder richtig montiert worden.
- Die Türdichtung ist verschmutzt.
- Die Regale sind nicht richtig eingelegt.

Wenn in der Anzeige „E1“ oder „E2“ erscheint:

- Beschädigung des Temperatursensors. Nehmen Sie mit dem Kundendienst Kontakt auf.

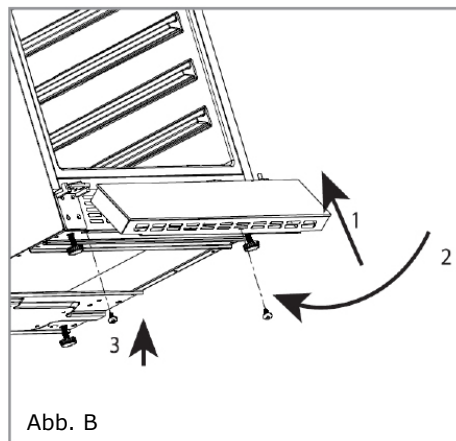
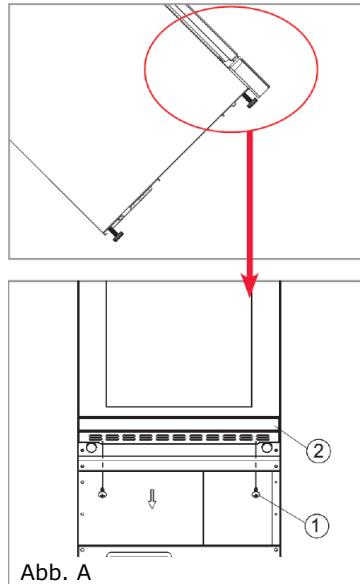
EPREL

Weitere Informationen über das Produkt bietet die EU-Produktdatenbank EPREL auf der Website <https://eprel.ec.europa.eu>. Sie finden die Informationen, indem Sie den QR-Code auf dem Energieetikett scannen oder das auf dem Energieetikett angegebene Produktmodell in die EPREL-Suchmaschine auf der Website <https://eprel.ec.europa.eu/> eingeben.

MONTAGE DES SOCKELS

Die Installation sollte von mindestens zwei qualifizierten Personen durchgeführt werden. Sichern Sie die Fläche unter der Tür während der Installation mit einem Handtuch oder Karton. Neigen Sie das Gerät während der Installation nicht um mehr als 45°. Warten Sie, nachdem das Gerät geneigt wurde, mindestens 8 Stunden, bevor Sie es einschalten.

1. Entfernen Sie die Schrauben, mit denen der Sockel und die untere Stützleiste befestigt sind (Abb. A).
2. Stecken Sie die Haken im Glassteil des Sockels in die Löcher im oberen Teil des Metallsockels. Positionieren Sie den Sockel so, dass die Löcher in der Innenkante der Glasfront des Sockels mit den Löchern im Metallsockel auf gleicher Höhe sind. Setzen Sie die Schrauben (2) wieder ein (Abb. B).



GARANTIE, NACHVERKAUF-SERVICE

Garantie

Garantieleistungen laut Garantieschein. Der Hersteller übernimmt keine Haftung für Schäden, die durch den unsachgemäßen Betrieb des Produkts entstanden sind.

Wartung

- Der Hersteller empfiehlt, jegliche Reparaturen und Einstellarbeiten von einem Werksservice oder vom Hersteller autorisierten Kundendienst durchführen zu lassen. Aus Sicherheitsgründen sollten Sie das Gerät nicht selbst reparieren.
- Von Personen ohne die erforderlichen Qualifikationen durchgeführte Reparaturen können für den Gerätebenutzer eine ernste Gefahr verursachen.
- Die vom Hersteller, Einführer oder Vertragshändler gewährte Mindestgarantiezeit für das Gerät ist im Garantieschein angegeben.
- Im Fall unbefugter Anpassungen, Änderungen, der Verletzung von Plomben oder anderer Sicherheitsvorrichtungen des Geräts oder Teilen davon, sowie im Fall sonstiger unbefugter Manipulationen am Gerät, die nicht der Bedienungsanleitung entsprechen, verfällt die Garantie für das Gerät.

Reparaturmeldungen und Hilfe bei Fehlern


Wenn das Gerät repariert werden muss, wenden Sie sich bitte an den Kundendienst. Die Adresse und Rufnummer des Kundendienstes sind im Garantieschein angegeben. Halten Sie, wenn Sie den Kundendienst anrufen, bitte die Seriennummer des Geräts bereit. Diese befindet sich auf dem Typenschild. Notieren Sie sich die Seriennummer der Einfachheit halber am besten hier:

--	--	--	--	--	--	--	--	--	--	--	--	--	--	--	--	--	--	--	--

CE-Konformitätserklärung

Der Hersteller dieses Produktes erklärt hiermit in alleiniger Verantwortung, dass dieses Produkt den einschlägigen, grundlegenden Anforderungen der nachfolgenden EU-Richtlinien entspricht:

- **Niederspannungsrichtlinie 2014/35/EU**
- **Elektromagnetische Verträglichkeit 2014/30/EU**
- **ErP – Richtlinie 2009/125/EC**
- **Richtlinie RoHS 2011/65/EU**

Das Gerät ist mit dem  Zeichen gekennzeichnet und verfügt über eine Konformitätserklärung zur Einsichtnahme durch die zuständigen Marktüberwachungsbehörden.

Cher Client

À partir d'aujourd'hui les tâches quotidiennes deviennent encore plus faciles. Cet appareil **Amica** combine une facilité d'utilisation exceptionnelle à une efficacité parfaite. Après la lecture du mode d'emploi, l'utilisation de l'appareil ne vous posera aucun problème.

La sécurité et la fonctionnalité de l'équipement sorti d'usine ont été soigneusement vérifiées sur les postes de contrôle avant son emballage.

Prière de lire attentivement le mode d'emploi avant la mise en fonctionnement de l'appareil. Respecter ses indications vous protégera contre toute utilisation incorrecte. Garder le mode d'emploi dans un endroit accessible.

Respecter les instructions de ce mode d'emploi afin d'éviter des accidents.

Respectueusement


Amica

CONSIGNES DE SECURITÉ D'UTILISATION

- L'appareil n'est destiné qu'à un usage domestique.
- Le fabricant se réserve le droit d'apporter des modifications qui n'affectent pas le fonctionnement de l'appareil.
- Le fabricant n'assume aucune responsabilité pour des dommages causés par une utilisation non conforme aux instructions.
- Veuillez garder cette notice dans le but de s'en servir en avenir soit de la transmettre à un éventuel utilisateur future.
- Cet appareil n'est pas conçu pour être utilisé par des personnes (y compris les enfants) à aptitudes physiques, sensorielles ou mentales réduites ainsi que par des personnes manquant d'expérience et de connaissances à moins que cette utilisation s'effectue sous la surveillance ou en accord avec la notice d'utilisation remise par les personnes responsables de la sécurité.
- Veillez à ce que les enfants sans surveillance n'utilisent pas l'appareil. Ne les laissez pas jouer avec l'appareil. Il est interdit qu'ils s'assoient sur les éléments sortants ainsi qu'ils se penchent sur la porte.
- L'appareil fonctionne convenablement à la température ambiante qui est indiquée dans le tableau des spécifications techniques. Evitez de placer l'appareil dans une cave, un vestibule ou dans un chalet sans chauffage en automne et en hiver.
- Pendant le placement, le déplacement, le soulèvement ne saisissez pas les poignées des portes, ne tirez pas par le réfrigérant à l'arrière du réfrigérateur ainsi que ne touchez pas le groupe compresseur.

- Avant chaque entretien courant débranchez l'appareil. Ne tirez pas par le cordon d'alimentation mais débranchez-le en saisissant la fiche de la prise.
- Les bruits comme des craquements ou des éclatements sont causés par des élargissements et des rétrécissements des pièces résultant des changements de température
- Pour des raisons de sécurité, il ne faut pas dépanner l'appareil de ses propres moyens. Les réparations faites par des personnes non qualifiées dans ce domaine peuvent constituer un danger à la sécurité de l'utilisateur de l'appareil.
- Faites attention à ne pas détériorer le circuit frigorifique, par ex. par le piquage de canaux du produit frigorifique dans l'évaporateur, la rupture des tuyaux. Le fluide frigorigène jaillissant est inflammable. Au cas du contact du produit avec les yeux, rincez les avec de l'eau propre et immédiatement contactez le médecin.
- Attention! Si le câble d'alimentation non débranchable est endommagé, il doit être échangé chez le fabricant, dans un établissement de réparations spécialisé ou par une personne qualifiée afin d'éviter tout danger.
- L'appareil doit être complètement débranché de l'alimentation (en retirant la prise d'alimentation) pour effectuer des tâches telles que le nettoyage, l'entretien ou le changement de son emplacement.
- Cet appareil peut être utilisé par des enfants âgés de 8 ans ou plus, par des personnes avec des capacités motrices, sensorielles ou mentales réduites et par des personnes dénuées d'expérience ou de connaissance de l'équipement uniquement si elles se trouvent sous surveillance et qu'elles aient été instruites auparavant au sujet de l'exploitation de l'appareil de façon sûre et qu'elles connaissent les dangers liés à l'exploitation de l'appareil. Les enfants ne devraient pas jouer avec l'appareil. Le nettoyage et la maintenance

de l'appareil ne devraient pas être effectués par des enfants à moins qu'ils n'aient fini leurs 8 ans et ne soient surveillés par une personne appropriée.

- Il est interdit de nettoyer l'appareil avec de la vapeur
- Tenez l'appareil et son câble d'alimentation loin des enfants âgés de moins de 8 ans.
- Ne pas immerger le câble d'alimentation ni la fiche dans de l'eau.
- Maintenir le câble loin des surfaces chauffées.
- Empêcher que le câble d'alimentation soit suspendu par dessus du bord de la table ou du plan de travail.
- Ne pas utiliser d'appareils électriques à l'intérieur de la chambre
- Ne pas utiliser d'outils pour accélérer le dégivrage
- Nettoyer régulièrement les orifices d'aération de l'appareil (modèles encastrables et sous plan)
- Cet appareil n'est pas destiné à une utilisation avec des programmateurs ou autres dispositifs de mise hors tension à commande directe ou à distance.
- En cas de versement accidentel de liquide sur les éléments électriques, mettre immédiatement l'appareil hors tension.
- Veiller à ne pas écraser ou endommager le câble d'alimentation lors du montage.
- Avant l'élimination de l'appareil, le mettre hors d'usage. Débrancher l'alimentation et couper le câble d'alimentation. Afin d'éviter que des enfants ou des animaux ne s'enferment dans l'appareil, démonter la porte, les charnières et les fermetures.
- Attention : Si l'appareil ne possède pas de compartiment , ceci signifie que l'appareil réfrigérant n'est pas adapté aux besoins de congélation des produits alimentaires.
- La période minimale où les pièces de rechange indispensables à la réparation de l'appareil sont

accessibles est de 7 à 10 ans, selon le type et la destination de la pièce de rechange. Cette période est conforme au règlement (UE) 2019/2019 de la Commission.

- La liste des pièces de rechange et la procédure de commande sont disponibles sur les sites web du fabricant, de l'importateur ou du représentant agréé.

INSTALLATION ET CONDITIONS DE FONCTIONNEMENT DE L'APPAREIL

- Brancher l'appareil à l'alimentation électrique 24 heures après son déballage et son installation à l'endroit choisi.
- Déballez l'appareil, enlevez les bandes adhésives protégeant les portes et l'équipement. Les éventuels restes du col peuvent être enlever avec un détergent délicat.
- Lavez l'intérieur du réfrigérateur ainsi que les autres éléments de l'équipement avec de l'eau tiède avec du produit lave vaisselle et ensuite essuyez et séchez.
- Placez votre réfrigérateur à niveau et en position stable à un sol solide, dans une pièce sèche, régulièrement aérée et non ensoleillée loin des sources de chaleur comme la cuisinière, le radiateur du chauffage central, le tuyau du chauffage central, l'installation de l'eau chaude, etc.
- Le film de protection qui peut recouvrir l'appareil le doit être retiré.
- Placez l'appareil à niveau en visant 2 pieds réglables à l'avant (fig. 1)
- Laisser un espace libre sur les côtés et à l'arrière de l'appareil (voir le dessin de montage)
- S'assurer que l'encastrement de l'appareil ne bloque pas la grille d'aération se trouvant dans la partie inférieure du refroidisseur
- Une odeur particulière peut apparaître après la première mise en marche de l'appareil. Elle disparaîtra une fois l'intérieur de l'appareil refroidi
- A la première mise en marche, le compresseur de l'appareil fonctionnera sans arrêt jusqu'à ce que la température de consigne à l'intérieur de l'appareil soit atteinte
- Si l'alimentation électrique est débranchée, il est conseillé de la brancher de nouveau après au moins 5 minutes. Cela réduit le risque d'endommagement du compresseur.
- Dans les modèles choisis, la température correcte est affichée seulement quelques heures après la mise en marche du refroidisseur
- L'appareil doit être branché au réseau du courant alternative 220-240V, 50Hz au moyen d'une prise murale correctement installée, mise à la terre et protégée par un coupe-circuit de 10 A.
- La mise à la terre de l'appareil est recommandée par la loi. Le fabricant renonce à une responsabilité quelconque à titre des endommagements éventuels qui peuvent subir les personnes ou les objets suite à ne pas remplir cette obligation imposée par cette règle.

- Il ne faut pas utiliser de raccords adaptatifs, de prises multiples (répartiteurs), de rallonges deux fils. S'il y a la nécessité d'utiliser un rallonge, il est permis d'utiliser qu'un rallonge avec un rouleau de sécurité, à prise unique ayant une attestation de sécurité VDE/GS.
- Au cas d'utilisation d'un rallonge (avec le rouleau de sécurité, ayant le signe de sécurité), sa prise doit être placée à une distance sûre des évier et ne peut pas être exposée à être submerger de l'eau ainsi que des autres égouts.
- Il faut assurer la possibilité de débrancher l'appareil par le retrait de la fiche ou par l'éteint de l'interrupteur bipolaires.

Classe climatique

L'information sur la classe climatique de l'appareil se trouve sur la plaque signalétique. Il indique la température ambiante (c'est-à-dire de la pièce dans laquelle il fonctionne) du fonctionnement optimal (correct) de l'appareil.

Classe climatique		Température ambiante admissible
SN	tempérée élargie	l'appareil réfrigérant est destiné à une utilisation à une plage de températures comprise entre 10 °C et 32 °C
N	tempérée	l'appareil réfrigérant est destiné à une utilisation à une plage de températures comprise entre 16 °C et 32 °C
ST	subtropicale	l'appareil réfrigérant est destiné à une utilisation à une plage de températures comprise entre 16 °C et 38 °C
T	tropicale	l'appareil réfrigérant est destiné à une utilisation à une plage de températures comprise entre 16 °C et 43 °C

CONSEILS PRATIQUES

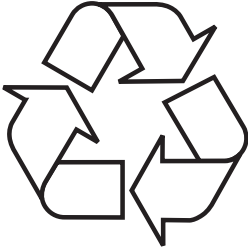
- Si l'éclairage reste allumé à l'intérieur de l'appareil, la température à l'intérieur est également supérieure
- La température à l'intérieur dépend du nombre et du type de bouteilles de vin conservées
- Pour garantir la sécurité de l'utilisateur et la qualité élevée du vin conservé, ne pas installer l'appareil dans des pièces humides
- Conserver les bouteilles aux endroits indiqués
- Le refroidisseur a une capacité limitée, ne pas placer plus de bouteilles qu'indiqué (Voir la fiche du produit)
- Ne pas ouvrir la porte du refroidisseur si cela n'est pas nécessaire
- Ne pas couvrir les clayettes de feuille aluminium ou autre matériau. Cela empêche la circulation de l'air à l'intérieur de l'appareil
- Pour éviter l'endommagement du joint de porte, avant de retirer la clayette, s'assurer la porte est complètement ouverte. Pousser les

clayettes à fond, sinon celles-ci peuvent déformer le joint de porte et par conséquent complètement l'endommager.

- Ne pas tirer les clayettes chargées hors des limites de course (environ 1/3 de la longueur de la clayette)
- Cet appareil est conçu pour la conservation de bouteilles de vin, ne pas l'utiliser à d'autres fins
- Pour la conservation du vin, la stabilité de la température est d'une très grande importance
- L'exposition du refroidisseur aux rayons de soleil, à de grandes variations de température, à une humidité élevée et aux vibrations peut rendre le vin impropre à la consommation
- A des périodes d'humidité élevée, de la condensation peut se former sur les surfaces en verre extérieures de la porte. Pour éviter cela, il est conseillé d'installer l'appareil dans un endroit sec et bien aéré
- Les modèles choisis dispose d'une poignée extérieure, fixez-la par vous-même. Pour ce faire, il est interdit d'utiliser des outils électriques (fig. 3). Pour ce faire, tirer légèrement le joint de porte sur le côté et placer les vis du côté intérieur de la porte. Aligner la poignée sur les orifices à l'extérieur de la porte et serrer les vis avec un tournevis. Fixer de nouveau le joint de porte,
- La capacité maximale de l'appareil est indiquée sur la fiche du produit jointe à l'appareil. Cette capacité concerne les bouteilles standard de type Bordeaux 0,75l
- Les modèles choisis sont équipés d'un système empêchant le renversement. Le monter selon le schéma joint (Fig. 6*).
- Cet appareil réfrigérant est destiné à être encastré.
- Pour assurer la meilleure conservation des aliments pendant longtemps et éviter leur gaspillage, disposer les produits comme montré sur la Fig. 12. De plus, la figure montre la disposition des compartiments, des tiroirs et des clayettes qui permet l'utilisation la plus efficace de l'énergie par l'appareil.
- La conservation des produits alimentaires dans des conditions et une température adaptées prolonge leur limite de consommation et optimise la consommation d'énergie électrique. Les plages de températures devraient être indiquées sur les emballages et les étiquettes des produits alimentaires.
- Il convient de respecter le chargement dans les compartiments indiqués dans la notice et le produit.

*Existe selon le modèle

DÉBALLAGE



Pour son transport, l'appareil a été emballé afin de le protéger contre les endommagements. Après déballage de l'appareil, prière d'éliminer les éléments de l'emballage d'une façon non nuisible à l'environnement. Tous les matériaux utilisés pour l'emballage sont inoffensifs pour l'environnement et recyclables à 100% (ils sont marqués par un symbole approprié)

Attention! Lors du déballage, garder les matériaux d'emballage (petits sacs polyéthylène, morceaux de polystyrène, etc.) hors de portée des enfants.

ÉLIMINATION DES APPAREILS USAGÉS



Cet appareil est marqué par le symbole du conteneur à déchets, rayé, conformément à la Directive Européenne 2012/19/CE. Ce symbole signale que le produit, après sa période d'utilisation, ne pourra pas être éliminé avec d'autres déchets ménagers.

L'utilisateur est obligé de le rendre à un point de collecte des appareils électriques et électroniques usagés. De tels points de collecte sont mis en place par les communes, certains magasins et entreprises de ramassage des déchets.

Respecter les règles d'élimination des appareils électriques et électroniques permet d'éviter des conséquences nuisibles à la santé humaine et à l'environnement naturel, à cause de la possibilité de présence de constituants dangereux ou de transformations inappropriées à ce type d'appareil.

ÉLÉMENTS DE COMMANDE

Éléments de commande – une et deux zones





Le panneau de commande est présenté sur le dessin 4. Il est présenté également ci-dessous :

Une zone



Deux zones



-  – Touche d'alimentation
-  – Touche d'éclairage
-  – Touche « + »
-  – Touche « - »

Allumer / éteindre l'alimentation

Pour allumer le refroidisseur à vin, appuyer sur et maintenir pressée la touche d'alimentation pendant 1 seconde.

Pour éteindre le refroidisseur à vin, appuyer sur et maintenir pressée la touche d'alimentation pendant 5 secondes.

Modification de la température

- Appuyer sur la touche « + » ou « - » jusqu'à l'affichage de la température adéquate.
- Le réglage par défaut de la température est de 12°C / 54°F.
- Pour changer l'unité de Fahrenheit en Celsius ou l'inverse, appuyer sur et maintenir pressée la touche d'éclairage pendant 5 secondes.
- Pour vérifier la température réglée, appuyer à tout moment sur la touche « + » ou « - » et la température réglée clignotera sur l'afficheur LED pendant 5 secondes.
- Lorsque le refroidisseur à vin est allumé, l'afficheur indique la température actuelle à l'intérieur.

Attention : La température dans la zone inférieure doit être la même ou supérieure à celle dans la zone supérieure. Le refroidisseur fonctionne de manière optimale lorsque la température dans les deux zones diffère d'au moins 4°C.

Choix de la température optimale

La meilleure température pour conserver le vin est de 13-15°C, mais le vin peut être également conservé à la température de service. Pour le vin rouge c'est: 15-17°C et pour le vin blanc: 12-13°C.

Eclairage intérieur

En appuyant sur cette touche, il est possible d'allumer et d'éteindre la lumière.

Humidité intérieure

Certains modèles du refroidisseur à vin sont équipés d'un système de maintien d'une humidité optimale dans l'appareil. Remplir d'eau le bac du système d'humidité à 3/4 de sa capacité. Placer le bac sur les rails de la clayette supérieure comme monter sur le des. 2, Fixer le bac correctement pour que l'eau ne se déverse pas. Vérifier régulièrement le niveau d'eau et remplir le bac si nécessaire.

Affichage de la température

L'afficheur de température affiche la température actuelle à l'intérieur de l'appareil.

L'afficheur clignote :

- Lors du réglage d'une autre température
- Si la température à l'intérieur diffère de +/- 5° de la température réglée.

C'est un avertissement contre l'endommagement du contenu du refroidisseur en cas d'augmentation excessive de la température.

Mode silencieux

Une la température exigée atteinte, l'appareil fonctionne sans le travail des ventilateurs.

Le refroidisseur à vin est par défaut mis en mode silencieux. Pour changer le réglage en mode dynamique de refroidissement, appuyer sur et maintenir pressée la touche « - » pendant environ 5 secondes (la touche « - » sur le côté gauche dans les refroidisseurs à deux zones). Le refroidisseur à vin émettra un signal sonore cinq fois pour confirmer l'activation du refroidissement dynamique.

Mode de refroidissement dynamique

Le ventilateur travaille et s'arrête en alternance pour maintenir la circulation de l'air même lorsque la température exigée est atteinte. Cela assure une humidité et une température constante et égale dans le refroidisseur et crée des conditions idéales pour une conservation à long terme.

Le mode dynamique augmente le volume sonore lors du fonctionnement de l'appareil.

Pour changer le réglage en mode silencieux, appuyer sur et maintenir pressée la touche « + » pendant environ 5 secondes (la touche « + » sur le côté gauche dans les refroidisseurs à deux zones). Le refroidisseur à vin émettra un signal sonore trois fois pour confirmer l'activation du mode silencieux.

Mode week-end

L'activation de ce mode désactive l'afficheur, l'éclairage intérieur et les signaux sonores. Le refroidissement est maintenu.

Pour activer le Mode week-end, appuyer sur et maintenir pressées simultanément pendant 5 secondes les touches d'alimentation et d'éclairage. L'afficheur clignotera quatre fois et confirmera l'activation du mode. Le mode se désactive automatiquement après 48 heures : pour désactiver le mode à tout moment, appuyer sur et maintenir pressées simultanément pendant 5 secondes les touches d'alimentation et d'éclairage.

Alarme de la température

Si la température augmente ou baisse hors des limites d'une étendue définie, une alarme sonore se déclenche et l'afficheur clignote. Les causes peuvent être les suivantes :

- Le refroidisseur n'a pas encore atteint la température réglée (après la première mise en marche).
- Panne de courant.
- Le refroidisseur à vin est surchargé.
- La porte fermée de façon incorrecte.

NETTOYAGE ET ENTRETIEN

Avant le nettoyage et la maintenance de l'appareil, toujours débrancher l'alimentation électrique.

Retrait des clayettes

- Pour retirer les clayettes du refroidisseur à vin, d'abord sortir toutes les bouteilles et ensuite, tirer la clayette jusqu'à ce que les encoches des deux côtés soient ramenées au même niveau que les picots des deux côtés de la chambre (comme indiqué sur le des. 5). Ensuite, soulever la clayette et la tirer.
- Pour replacer la clayette dans le refroidisseur, procéder dans l'ordre inverse.

Nettoyage

- Ne pas utiliser de produits nettoyants abrasifs ou de détergents. Après le nettoyage, rincer et sécher soigneusement.
- Nettoyer le corps de l'appareil et les joints de porte à l'aide d'eau et d'un nettoyant doux et ensuite, sécher soigneusement.
- Nettoyer l'intérieur avec une solution de bicarbonate et d'eau tiède.
- Nettoyer les clayettes séparément avec de l'eau et un produit nettoyant. Ne pas laver les clayettes dans un lave-vaisselle.
- Essuyer le panneau de commande et les éléments électriques avec un chiffon humide et avant de brancher l'appareil à l'alimentation, les sécher soigneusement.
- Après le nettoyage, brancher l'appareil à l'alimentation.
- Si l'appareil n'est pas utilisé pendant une longue période, débrancher l'alimentation et le nettoyer soigneusement. Laisser la porte entrouverte pour éviter la formation d'odeurs et la condensation de l'eau.

RÉSOLUTION DES PROBLÈMES

En cas de problème, avant de faire appel au service technique, vérifier les conseils de résolution des problèmes pour éviter des déplacements et des coûts inutiles.

Si l'appareil ne fonctionne pas, vérifier

- Si l'alimentation est branchée
- Si les fusibles ou les disjoncteurs de protection dans le local fonctionnent correctement et si la protection dans la fiche n'est pas déclenchée.
- Si la prise n'est pas endommagée. Brancher un autre appareil pour vérifier si la prise n'est pas endommagée.
- La température ambiante doit être de 16°C à 32°C.

Si l'appareil fonctionne, mais d'une manière pas tout à fait efficace, vérifier

- Si l'appareil n'est pas surchargé.
- Si le thermostat est réglée sur une température adéquate.
- Si la porte est fermée correctement.
- Si le joint de porte adhère bien
- Si l'aération sur les côtés et à l'arrière est suffisante.
- La température ambiante doit être de 16°C à 32°C.

Si l'appareil fait du bruit, vérifier

- Si l'appareil est mis à niveau et repose sur une surface stable.
- Le réfrigérant gazeux fait du bruit même si le compresseur n'est pas en marche.
- Lors du fonctionnement de l'appareil, le ventilateur peut travailler même si le compresseur n'est pas en marche.

Si l'éclairage ne fonctionne pas, vérifier

- Si l'appareil est branché à l'alimentation électrique.
- Si les fusibles ou les disjoncteurs de protection dans le local fonctionnent correctement et si la protection dans la fiche n'est pas déclenchée.
- La touche d'éclairage n'est pas sur la position éteinte.

Attention:

L'éclairage LED ne peut pas être remplacé sans faire appel au service technique

Si la porte n'est pas fermée correctement, vérifier

- Si l'appareil est mis à niveau et repose sur une surface stable.
- Si la porte a été démontée, elle a pu être montée de nouveau incorrectement.
- Le joint de porte est sale.
- Les clayettes ne sont pas correctement insérées.

Si l'afficheur affiche « E1 » ou « E2 »

- Endommagement du capteur de température. Contacter le service

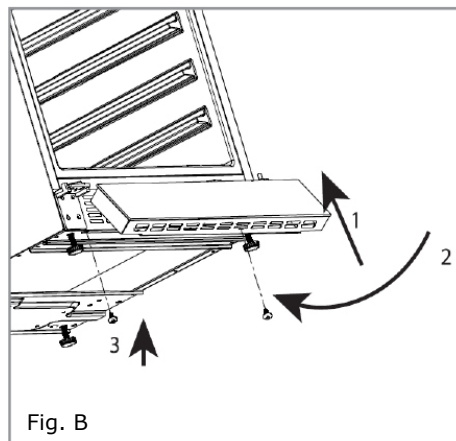
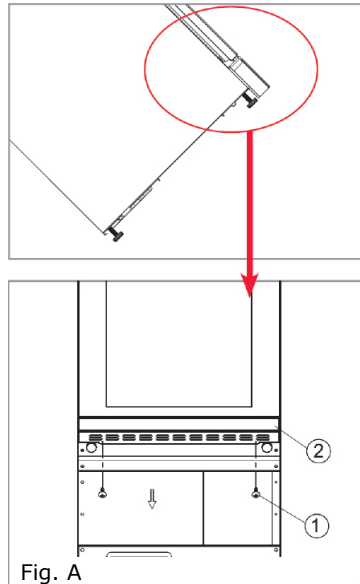
EPREL

Retrouvez plus d'informations sur le produit dans la base de données européenne EPREL à l'adresse <https://eprel.ec.europa.eu>. Vous pouvez obtenir les informations en scannant le code QR de l'étiquette énergétique ou un saisissant le modèle du produit de l'étiquette énergétique dans le moteur de recherche EPREL <https://eprel.ec.europa.eu/>

MONTAGE DU SOCLE

Le montage doit être réalisé par au moins deux personnes qualifiées. Pour la durée du montage, protéger la surface sous la porte avec une serviette ou du carton. Lors du montage, ne pas incliner l'appareil à plus de 45°. Après l'inclinaison de l'appareil, attendre au moins 8h, seulement après allumer l'appareil.

1. Dévisser les vis qui fixent le socle et le support inférieur (Fig. A).
2. Glisser les attaches de fixation de la partie en verre du socle dans les orifices dans la partie supérieure du socle en métal. Positionner le socle de manière à ce que les orifices sur le bord intérieur de la partie du socle en verre se trouvent au niveau des orifices dans le socle en métal. Visser de nouveau les vis (2) (Fig. B)



GARANTIE, SERVICE APRÈS-VENTE

Garantie

Service de garantie selon la carte de garantie. Le fabricant n'est responsable d'aucun dommage provoqué par une utilisation inappropriée du produit.

Service

- Le fabricant suggère de faire réaliser toute réparation et tout réglage par le Service Interventions ou un centre agréé du fabricant. Pour des raisons de sécurité, il est interdit de réparer vous-même l'appareil.
- Les réparations réalisées par des personnes sans les compétences exigées peuvent constituer un grave danger pour les utilisateurs de l'appareil.
- La période minimale de la garantie sur l'appareil, offerte par le fabricant, l'importateur ou le distributeur agréé est indiquée sur la carte de garantie.
- L'appareil perd sa garantie suite à des transformations, des adaptations, la rupture des scellés ou de tout autre dispositif de sécurité ou de leurs éléments ainsi que suite à toute intervention qui n'est pas conforme aux consignes du mode d'emploi.

Demande de réparation et soutien en cas de défaillance

Si l'appareil nécessite une réparation, contactez le service. Les coordonnées du service et le numéro de contact sont indiqués sur la carte de garantie. Avant tout contact, veuillez préparer le numéro de série de l'appareil que vous pouvez trouver sur la plaque signalétique. Pour faciliter les choses, veuillez le recopier ci-dessous :

--	--	--	--	--	--	--	--	--	--	--	--	--	--	--	--	--	--	--	--	--	--	--

Déclaration du fabricant

Par la présente le fabricant déclare que le produit est conforme à toutes les principales dispositions exigées par les directives de la communauté Européenne:

- directive Basse Tension 2014/35/CE
- directive Compatibilité électromagnétique 2014/30/CE
- directive 2009/125/CE
- directive RoHS 2011/65/CE

et c'est le pourquoi le produit est désigné par le symbol **CE** ainsi qu'une déclaration de la conformité accessible aux organes chargés de la surveillance du marché a été délivrée.

Szanowny Kliencie

Od dziś codzienne obowiązki staną się prostsze niż kiedykolwiek. Urządzenie **Amica** to połączenie wyjątkowej łatwości obsługi i doskonałej efektywności. Po przeczytaniu instrukcji, obsługa nie będzie problemem.

Sprzęt, który opuścił fabrykę był dokładnie sprawdzony przed zapakowaniem pod względem bezpieczeństwa i funkcjonalności na stanowiskach kontrolnych.

Prosimy Państwa o uważną lekturę instrukcji obsługi przed uruchomieniem urządzenia. Przestrzeganie zawartych w niej wskazówek uchroni Państwa przed niewłaściwym użytkowaniem. Instrukcję należy zachować i przechowywać tak, aby mieć ją zawsze pod ręką.

Należy dokładnie przestrzegać instrukcji obsługi w celu uniknięcia nieszczęśliwych wypadków.

Z poważaniem


Amica

WSKAZÓWKI DOTYCZĄCE BEZPIECZEŃSTWA

- Urządzenie przeznaczone jest wyłącznie do użytku domowego.
- Producent zastrzega sobie możliwość dokonywania zmian niewpływających na działanie urządzenia.
- Producent nie ponosi odpowiedzialności za szkody wynikłe z nieprzestrzegania zasad umieszczonych w niniejszej instrukcji.
- Prosimy o zachowanie tej instrukcji w celu wykorzystania jej w przyszłości lub przekazania ewentualnemu następnemu użytkownikowi.
- Niniejszy sprzęt nie jest przeznaczony do użytkowania przez osoby (w tym dzieci) o ograniczonej zdolności fizycznej, czuciowej lub psychicznej oraz osoby o braku doświadczenia lub znajomości sprzętu, chyba, że odbywa się to pod nadzorem lub zgodnie z instrukcją użytkowania sprzętu, przekazanej przez osoby odpowiadające za ich bezpieczeństwo.
- Należy zwrócić szczególną uwagę, aby z urządzenia nie korzystały pozostawione bez opieki dzieci. Nie należy pozwalać im bawić się urządzeniem. Nie wolno im siadać na elementach wysuwanych i zawieszać się na drzwiach.
- Urządzenie pracuje prawidłowo w temperaturze otoczenia, która jest podana w karcie produktu. Nie należy użytkować jej w piwnicy, sieni, w nieogrzewanym domku letniskowym jesienią i zimą.
- Podczas ustawiania, przesuwania, podnoszenia nie należy chwytać za uchwyty drzwi, ciągnąc za skraplacz z tyłu lodówki oraz dotykać zespołu kompresora.
- Przed każdą czynnością konserwacyjną należy wyjąć wtyczkę z gniazdka sieciowego. Nie nale-

ży ciągnąć za przewód, lecz chwytać za korpus wtyczki.

- Dźwięki słyszalne jako trzaskanie lub pęknięcie są spowodowane przez rozszerzanie i kurczenie się części na skutek zmian temperatury.
- Ze względu na bezpieczeństwo nie należy naprawiać urządzenia we własnym zakresie. Naprawy, wykonywane przez osoby nie posiadające wymaganych kwalifikacji mogą stanowić poważne niebezpieczeństwo dla użytkownika urządzenia.
- Należy uważać, aby nie uszkodzić obiegu chłodniczego, np. przez nakłucie kanałów środka chłodniczego w parowniku, złamanie rur. Wytryskujący czynnik chłodniczy jest palny. W przypadku dostania się do oczu należy przepłukać je czystą wodą i wezwać natychmiast lekarza.
- Uwaga! Jeżeli przewód zasilający nieodłączalny ulegnie uszkodzeniu, to powinien on być wymieniony u wytwórcy lub w specjalistycznym zakładzie naprawczym albo przez wykwalifikowaną osobę w celu uniknięcia zagrożenia.
- Urządzenie należy całkowicie odłączyć od zasilania (poprzez wyciągnięcie wtyczki z gniazdka sieciowego) na czas wykonywania czynności takich jak czyszczenie, konserwacja czy zmiana miejsca ustawienia.
- To urządzenie może być używane przez dzieci w wieku 8 lat i starsze, przez osoby o ograniczonej zdolności fizycznej, czuciowej lub psychicznej oraz osoby o braku doświadczenia lub znajomości sprzętu, gdy są one nadzorowane lub zostały poinstruowane na temat korzystania z urządzenia w sposób bezpieczny i znają zagrożenia związana z użytkowaniem urządzenia. Dzieci nie powinny bawić się urządzeniem. Czyszczenie i konserwacja urządzenia nie powinna być wykonywana przez dzieci chyba że ukończyły 8 lat i są nadzorowane przez odpowiednią osobę.

- Urządzenia nie należy czyścić parą
- Trzymaj urządzenia i jego sznur przyłączeniowy z dala od dzieci poniżej 8 lat.
- Nie zanurzać шнура przyłączeniowego ani wtyczki w wodzie.
- Trzymać sznur przyłączeniowy z dala od gorących powierzchni.
- Nie dopuszczać aby sznur przyłączeniowy zwisał na krawędzi stołu lub blatu.
- Nie używaj elektrycznych urządzeń wewnątrz komory
- Nie używaj narzędzi do przyspieszenia rozmrażania
- Czyść regularnie otwory wentylacyjne urządzenia (w przypadku urządzeń do zabudowy lub podblatowych)
- To urządzenie nie jest zaprojektowane do działania z elektronicznymi programatorami czasowymi, ani innymi urządzeniami do odcinania zasilania bezpośrednio czy też zdalnie.
- W przypadku przypadkowego rozlania cieczy na elementy elektryczne natychmiast odłącz urządzenie od zasilania.
- Należy upewnić się, że podczas czynności montażowych, przewód zasilający nie został przygnieciony czy też uszkodzony.
- Przed utylizacją urządzenia należy uczynić je niezdatnym do użytku. Obejmuje to odłączenie od zasilania i odcięcie przewodu zasilającego. Aby zapobiec uwięzieniu dzieci lub zwierząt w urządzeniu, zdemontuj drzwi, zawiasy i zamki.
- Uwaga: Jeżeli urządzenie nie posiada komory ***, oznacza to, że To urządzenie chłodnicze nie jest odpowiednie na potrzeby zamrażania środków spożywczych.

- Minimalny okres, w którym dostępne są części zamienne niezbędne do naprawy urządzenia wynosi 7 lub 10 lat w zależności od rodzaju i przeznaczenia części zamiennej i jest zgodny z Rozporządzeniem Komisji (UE) 2019/2019.
- Wykaz części zamiennych i procedura ich zamawiania są dostępne na stronach internetowych producenta, importera lub upoważnionego przedstawiciela.

INSTALACJA I WARUNKI PRACY URZĄDZENIA

- Urządzenie podłącz do zasilania po upływie 24 godzin od momentu rozpakowania i ustawienia w docelowym miejscu.
- Należy wyrób rozpakować, usunąć taśmy klejące zabezpieczające drzwi i wyposażenie. Ewentualne pozostałe resztki kleju można usunąć delikatnym środkiem myjącym
- Wnętrze chłodziarki oraz elementy wyposażenia należy wymyć letnią wodą z dodatkiem płynu do mycia naczyń, a następnie wytrzeć i wysuszyć.
- Chłodziarkę należy ustawić na równym, poziomym i stabilnym podłożu, w suchym, przewietrzanym i nienastłonecznionym pomieszczeniu z dala od źródeł ciepła, takich jak kuchnia, grzejnik centralnego ogrzewania, rura centralnego ogrzewania, instalacja wody ciepłej itp.
- Na powierzchniach zewnętrznych wyrobu może znajdować się folia ochronna, należy ją usunąć.
- Należy zapewnić ustawienie wyrobu w poziomie, odpowiednio wkręcając 2 regulowane nożki (Rys. 1).
- Zachowaj wolną przestrzeń po bokach i z tyłu urządzenia (patrz rysunek montażowy)
- Upewnij się, że instalacja urządzenia w zabudowie meblowej nie będzie blokować kratki wentylacyjnej znajdującej się w dolnej części chłodziarki
- Po pierwszym uruchomieniu urządzenia może pojawić się specyficzny zapach. Zniknie on gdy wnętrze urządzenia zostanie schłodzone
- Przy pierwszym uruchomieniu kompresor urządzenia będzie działał nieprzerwanie, aż do momentu uzyskania zadanej temperatury wewnątrz chłodziarki
- Po odłączeniu zasilania, ponowne jego podłączenie zaleca się wykonać po upływie min. 5 minut. Zmniejszy to ryzyko uszkodzenia kompresora.
- W wybranych modelach prawidłowa temperatura zostanie pokazana na wyświetlaczu dopiero po upływie kilku godzin od uruchomienia chłodziarki
- Urządzenie należy podłączyć do sieci prądu przemiennego 220-240V, 50Hz, poprzez prawidłowo zainstalowane gniazdko elektryczne, uziemione i zabezpieczone bezpiecznikiem 10 A.
- Uziemienie urządzenia jest wymagane przepisami prawa. Producent zręka się jakiegokolwiek odpowiedzialności z tytułu ewentualnych szkód, jakie mogą ponieść osoby lub przedmioty na skutek niewypełnienia obowiązku nałożonego przez ten przepis.

- Nie należy używać łączników adaptacyjnych, gniazd wielokrotnych (rozdzielaczy), przedłużaczy dwużyłowych. Jeśli zachodzi konieczność stosowania przedłużacza, może to być tylko przedłużacz z końkiem ochronnym, jednogniazdowy posiadający atest bezpieczeństwa VDE/GS.
- Jeśli zostanie zastosowany przedłużacz (z końkiem ochronnym, posiadający znak bezpieczeństwa), to jego gniazdo musi leżeć w bezpiecznej odległości od zlewozmywaków i nie może być narażone na zalewanie wodą i różnymi ściekami.
- Należy zapewnić możliwość odłączenia urządzenia od sieci elektrycznej, poprzez wyjęcie wtyczki lub wyłączenie wyłącznika dwubiegunowego.

Klasa klimatyczna

Informacja o klasie klimatycznej urządzenia znajduje się na tabliczce znamionowej. Wskazuje ona, w jakiej temperaturze otoczenia (tj. pomieszczenia, w którym pracuje) wyrób działa optymalnie (prawidłowo).

Klasa klimatyczna		Dozwolona temperatura otoczenia
SN	rozszerzona umiarkowana	Urządzenie chłodnicze jest przeznaczone do użytku w temperaturze otoczenia mieszczącej się w zakresie od 10 °C do 32 °C
N	umiarkowana	Urządzenie chłodnicze jest przeznaczone do użytku w temperaturze otoczenia mieszczącej się w zakresie od 16 °C do 32 °C
ST	subtropikalna	Urządzenie chłodnicze jest przeznaczone do użytku w temperaturze otoczenia mieszczącej się w zakresie od 16 °C do 38 °C
T	tropikalna	Urządzenie chłodnicze jest przeznaczone do użytku w temperaturze otoczenia mieszczącej się w zakresie od 16 °C do 43 °C

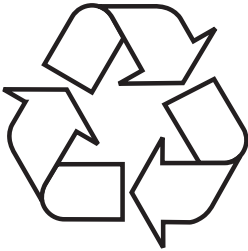
PRAKTYCZNE PORADY

- Jeżeli światło wewnątrz urządzenia pozostaje włączone, należy pamiętać, że temperatura wewnątrz urządzenia będzie wyższa
- Temperatura wnętrza zależy od ilości i rodzaju przechowywanych butelek z winem
- Aby zagwarantować bezpieczeństwo użytkownika oraz wysoką jakość przechowywanego wina, nie instaluj urządzenia w wilgotnych pomieszczeniach
- Przechowuj butelki wina w wyznaczonych miejscach
- Chłodziarka ma ograniczoną pojemność, nie umieszczaj więcej butelek niż określona ilość (Patrz karta produktu)
- Nie otwieraj drzwi chłodziarki jeżeli nie jest to konieczne
- Nie pokrywaj półek folią aluminiową, ani innym materiałem. Blokuje to cyrkulację powietrza wewnątrz urządzenia
- Aby uniknąć uszkodzenia uszczelki drzwi, przed wyciągnięciem półki upewnij się, że drzwi są całkowicie otwarte. Półki należy wsuwać do oporu, w innym wypadku, półka może odkształcić uszczelkę, co może spowodować jej całkowite uszkodzenie.

- Nie wysuwaj załadowanych półek poza granicę wysuwu (około 1/3 długości półki)
- To urządzenie zaprojektowano do przechowywania butelek z winem, nie używaj go do innych celów
- Stabilność temperatury ma bardzo duże znaczenie podczas przechowywania wina
- Wystawienie chłodziarki na promienie słoneczne, duże wahania temperatury, wysoka wilgotność jak i wibracje mają spowodować że wino będzie niezdatne do spożycia
- W okresach wysokiej wilgotności na zewnętrznych powierzchniach szklanych drzwi może pojawić się skroplona para wodna. Aby temu zapobiec zaleca się instalować urządzenie w suchym, odpowiednio wentylowanym pomieszczeniu
- Wybrane modele posiadają uchwyt zewnętrzny, należy go przykręcić we własnym zakresie. Nie używaj do tego celu elektronarzędzi (Rys. 3)*. Aby to zrobić, pociągnij lekko uszczelkę drzwi na bok i umieść śruby po wewnętrznej stronie drzwi. Wyrównaj uchwyt z otworami na zewnątrz drzwi i dokręć śruby śrubokrętem. Ponownie załóż uszczelkę drzwi.
- Maksymalna pojemność urządzenia podana jest w karcie produktu dołączonej do chłodziarki. Pojemność ta dotyczy standardowych butelek typu Bordeaux 0,75l
- Wybrane modele posiadają blokadę przeciwko przewróceniu się urządzenia. Zamontuj ją wg załączonego schematu. (Rys. 6)*.
- To urządzenie chłodnicze jest przeznaczone do użytku jako urządzenie do zabudowy.
- Aby osiągnąć najlepszy poziom konserwacji żywności przez jak najdłuższy okres i uniknąć jej marnowania, należy rozmieścić produkty jak pokazano na Rys 12. Dodatkowo rysunek ten obrazuje rozkład szuflad, koszy i półek, który umożliwia najbardziej efektywne wykorzystanie energii przez urządzenie chłodnicze.
- Przechowywanie żywności w odpowiednich warunkach i temperaturze, wydłuży jej okres przydatności do spożycia i zoptymalizuje zużycie energii elektrycznej. Zakres odpowiednich temperatur powinien znajdować się na opakowaniach lub etykietach produktów spożywczych.

*W zależności od modelu

ROZPAKOWANIE



Urządzenie na czas transportu zostało zabezpieczone przed uszkodzeniem. Po rozpakowaniu urządzenia prosimy Państwa o usunięcie elementów opakowania w sposób niezagrażający środowisku.

Wszystkie materiały zastosowane do opakowania są nieszkodliwe dla środowiska naturalnego, w 100% nadają się do odzysku i oznakowano je odpowiednim symbolem.

Uwaga! Materiały opakowaniowe (woreczki polietylenowe, kawałki styropianu itp.) należy w trakcie rozpakowywania trzymać z dala od dzieci.

USUWANIE ZUŻYTYCH URZĄDZEŃ



To urządzenie jest oznaczone zgodnie z Dyrektywą Europejską 2012/19/UE oraz polską Ustawą o zużyтым sprzęcie elektrycznym i elektronicznym symbolem przekreślonego kontenera na odpady. Takie oznakowanie informuje, że sprzęt ten, po okresie jego użytkowania, nie może być umieszczany łącznie z innymi odpadami pochodzącymi z gospodarstwa domowego.

Użytkownik jest zobowiązany do oddania go prowadzącym zbieranie zużytego sprzętu elektrycznego i elektronicznego. Prowadzący zbieranie, w tym lokalne punkty zbiórki, sklepy oraz gminne jednostki, tworzą odpowiedni system umożliwiający oddanie tego sprzętu.

Właściwe postępowanie ze zużyтым sprzętem elektrycznym i elektronicznym przyczynia się do uniknięcia szkodliwych dla zdrowia ludzi i środowiska naturalnego konsekwencji, wynikających z obecności składników niebezpiecznych oraz niewłaściwego składowania i przetwarzania takiego sprzętu.

ELEMENTY STEROWANIA

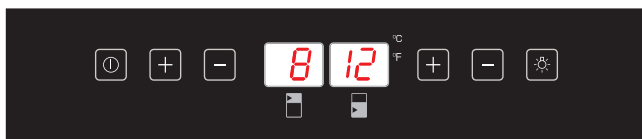
Elementy sterowania- jedna i dwie strefy





Panel sterowania jest pokazany na rysunku 4. Pokazany jest również poniżej:

Jedna strefa



Dwie strefy



-  – Przycisk zasilania
-  – Przycisk oświetlenia
-  – Przycisk "+"
-  – Przycisk "-"

Włączenie / wyłączenie zasilania

Aby włączyć chłodziarkę do wina nacisnąć i przytrzymać przycisk zasilania przez 1 sekundę.

Aby wyłączyć chłodziarkę do wina nacisnąć i przytrzymać przycisk zasilania przez 5 sekund.

Zmiana temperatury

- Naciskać przycisk "+" lub "-" do wyświetlenia odpowiedniej temperatury na wyświetlaczu.
- Domyślne ustawienie temperatury to 12°C / 54°F.
- Aby zmienić jednostkę temperatury z Fahrenheitów na Celsjusze lub odwrotnie, nacisnąć i przytrzymać przycisk oświetlenia przez 5 sekund.
- Aby sprawdzić ustawioną temperaturę nacisnąć w dowolnym czasie przycisk "+" lub "-", a ustawiona temperatura będzie migać na wyświetlaczu LED przez 5 sekund.
- Kiedy chłodziarka do wina jest włączona wyświetlacz wskazuje aktualną temperaturę wewnątrz.

Uwaga: Temperatura w dolnej strefie musi być ustawiona taka sama lub wyższa niż w górnej strefie. Różnica temperatur w obu komorach może wynosić maksymalnie 4 °C.

Wybór optymalnej temperatury

Najlepsza temperatura przechowywania wina to 13-15°C, ale wino można przechowywać również w temperaturze serwowania. Dla wina czerwonego jest to 15-17°C, a dla wina białego 12-13°C.

Oświetlenie wewnątrz

Naciskając przycisk oświetlenia można włączyć i wyłączyć światło.

Wilgotność wewnątrz

Niektóre modele chłodziarek do wina są wyposażone w system utrzymania optymalnej wilgotności w chłodziarce. Napełnić pojemnik systemu wilgotności do 3/4 objętości wodą. Umieścić pojemnik na szynach na górnej półce jak pokazano na rys. 2. Ustawić pojemnik prawidłowo, aby nie doszło do rozlania wody. Sprawdzać regularnie poziom wody i w miarę potrzeby uzupełnić.

Wyświetlacz temperatury

Wyświetlacz temperatury wskazuje aktualną temperaturę wewnątrz.

Wyświetlacz miga:

- Podczas ustawiania innej temperatury
- Jeśli temperatura wewnątrz różni się o +/- 5° od temperatury ustawionej.

Służy to ostrzeżeniu przed uszkodzeniem zawartości chłodziarki jeśli temperatura nadmiernie wzrośnie.

Silent Mode (Tryb cichy)

Po osiągnięciu wymaganej temperatury urządzenie działa bez pracy wentylatora.

Chłodziarka do wina ma domyślnie ustawiony ten tryb. Aby zmienić ustawienie na tryb dynamicznego chłodzenia nacisnąć i przytrzymać przycisk "-" przez około 5 sekund (przycisk "-" z lewej strony w chłodziarkach dwustrefowych). Chłodziarka do wina wyda pięć razy sygnał dźwiękowy, aby potwierdzić włączenie dynamicznego chłodzenia.

Tryb dynamicznego chłodzenia

Wentylator naprzemiennie pracuje i wyłącza się, aby utrzymać cyrkulację powietrza nawet wtedy, gdy osiągnięta jest wymagana temperatura. Zapewnia to stałą i równomierną wilgotność i temperaturę w chłodziarce i stwarza idealne warunki do długotrwałego przechowywania wina.

Tryb dynamicznego chłodzenia zwiększa poziom emitowanego hałasu podczas pracy urządzenia.

Aby zmienić ustawienie na tryb cichy nacisnąć i przytrzymać przycisk "+" przez około 5 sekund (przycisk "+" z lewej strony w chłodziarkach dwustrefowych). Chłodziarka do wina wyda trzy razy sygnał dźwiękowy, aby potwierdzić włączenie wyciszenia.

Tryb weekendowy

W tym trybie wyłączany jest wyświetlacz, oświetlenie wewnątrz i sygnały dźwiękowe. Chłodzenie jest stale utrzymywane. Aby włączyć tryb weekendowy nacisnąć i przytrzymać przez 5 sekund jednocześnie przyciski zasilania i oświetlenia. Wskaźnik będzie migać cztery razy i potwierdzi włączenie trybu. Tryb wyłączy się automatycznie po 48 godzinach; aby wyłączyć tryb w dowolnym czasie nacisnąć i przytrzymać jednocześnie przycisk zasilania i oświetlenia przez 5 sekund.

Alarm Temperatury

Jeśli temperatura wzrośnie lub spadnie poniżej określonego zakresu, rozlegnie się alarm dźwiękowy, a wyświetlacz będzie migać. Powodem może być:

- Chłodziarka nie osiągnęła jeszcze ustawionej temperatury (po pierwszym włączeniu).
- Wystąpiła przerwa w zasilaniu.
- Chłodziarka do wina jest przeładowana.
- Drzwi nie są zamknięte prawidłowo.

CZYSZCZENIE I KONSERWACJA

Przed czyszczeniem i konserwacją odłącz urządzenie od zasilania.

Wymywanie półek

- Aby wyjąć półki z chłodziarki wina, w pierwszej kolejności wyjąć wszystkie butelki, a następnie pociągnąć półkę do przodu, aż wcięcia po obydwu stronach półki wyrównają się z plastikowymi wypustkami po obydwu stronach komory (jak pokazano na rys. 5). Następnie podnieść półkę do góry i wyciągnąć do przodu.
- Aby włożyć półkę postępować w odwrotnej kolejności.

Czyszczenie

- Nie stosować ściernych środków czyszczących i detergentów. Po umyciu wypłukać i dokładnie osuszyć.
- Obudowę urządzenia i uszczelki drzwi myć używając wody z delikatnym środkiem myjącym, po umyciu dokładnie osuszyć.
- Wnętrze urządzenia czyścić roztworem sody w ciepłej wodzie.
- Półki myć osobno wodą ze środkiem myjącym. Nie wkładać półek do zmywarki.
- Panel sterowania przecierać wilgotną ściereczką, a przed podłączeniem urządzenia do zasilania dokładnie osuszyć.
- Po umyciu podłączyć urządzenie do zasilania.
- Jeśli urządzenie nie będzie wykorzystywane przez dłuższy okres, odłączyć od zasilania i dokładnie umyć. Drzwi pozostawić uchylone, aby zapobiec powstaniu zapachu lub skraplaniu się wody.

ROZWIĄZYWANIE PROBLEMÓW

W przypadku jakichkolwiek problemów, przed wezwaniem serwisu sprawdzić wskazówki co do samodzielnego rozwiązywania problemów, aby uniknąć niepotrzebnych wizyt serwisowych i obciążenia kosztami.

Jeśli urządzenie nie działa, należy sprawdzić

- Czy zasilanie jest podłączone do urządzenia
- Czy bezpieczniki lub wyłączniki zabezpieczające w domu są sprawne,
- Czy gniazdo jest sprawne. Podłączyć inne urządzenie elektryczne, aby sprawdzić czy gniazdo jest sprawne.
- Temperatura otoczenia musi się mieścić w klasie klimatycznej, do której urządzenie zostało przystosowane.

Jeśli urządzenie działa, ale niezbyt dobrze, należy sprawdzić

- Czy urządzenie nie jest przeciążone.
- Czy została ustawiona odpowiednia temperatura.
- Czy drzwi są zamknięte prawidłowo.
- Czy uszczelka drzwi dobrze dolega
- Czy wentylacja z boków i z tyłu urządzenia jest wystarczająca.
- Temperatura otoczenia musi się mieścić w klasie klimatycznej, do której urządzenie zostało przystosowane.

Jeśli urządzenie hałasuje, należy sprawdzić

- Czy urządzenie jest wypoziomowane i stoi stabilnie.
- Gaz chłodniczy znajdujący się w układzie powoduje hałas, nawet jeśli sprężarka nie pracuje.
- Podczas pracy urządzenia wentylator może się obracać, nawet jeśli nie działa sprężarka.

Jeśli nie działa oświetlenie, należy sprawdzić

- Czy zasilanie jest podłączone do urządzenia.
- Bezpieczniki lub wyłączniki zabezpieczające w domu są sprawne.
- Przycisk oświetlenia nie jest w pozycji wyłączonej.

Uwaga:

Oświetlenie LED powinno być serwisowane przez technika. Nie należy naprawiać oświetlenia bez stosownych uprawnień.

Jeśli drzwi nie są zamknięte prawidłowo, należy sprawdzić

- Czy urządzenie jest wypoziomowane i stoi stabilnie.
- Jeśli drzwi były zdejmowane, mogły nie zostać zamontowane prawidłowo.
- Uszczelka drzwi jest zabrudzona.
- Półki nie są prawidłowo włożone.

Jeśli na wyświetlaczu świeci się "E1" lub "E2"

- Uszkodzenie czujnika temperatury. Należy skontaktować się z serwisem

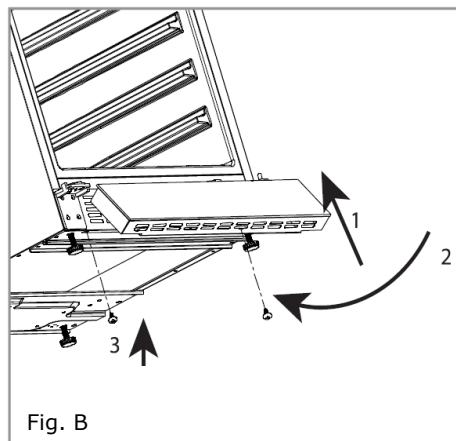
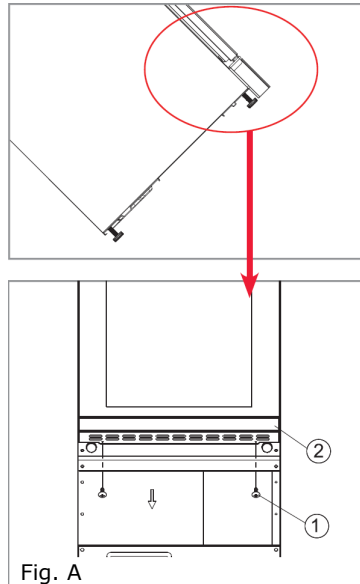
EPREL

Więcej informacji o produkcie znajduje się w unijnej Bazie Danych Produktów EPREL na stronie <https://eprel.ec.europa.eu>. Informacje można uzyskać skanując kod QR z etykiety energetycznej lub wpisując model wyrobu z etykiety energetycznej w wyszukiwarce EPREL <https://eprel.ec.europa.eu/>

MONTAŻ COKOŁU

Montaż powinien być wykonany przez co najmniej dwie wykwalifikowane osoby. Powierznię pod drzwiami na czas montażu zabezpiecz ręcznikiem lub tekturą. Podczas montażu nie przechylaj urządzenia o więcej jak 45°. Po przechyleniu urządzenia odczekaj minimum 8h, po tym czasie możesz włączyć urządzenie.

1. Odkręć śruby które mocują cokół i wspornik dolny (Rys. A).
2. Włóż zaczepy w szklanej części cokołu do otworów w górnej części metalowego cokołu. Ustaw cokół tak, aby otwory w wewnętrznej krawędzi sekcji cokołu ze szklanym frontem znajdowały się na poziomie otworów w cokole metalowym. Ponownie wkręć śruby (2) (Rys. B)



GWARANCJA, OBSŁUGA POSPRZEDAŻOWA

Gwarancja

Świadczenia gwarancyjne wg karty gwarancyjnej. Producent nie odpowiada za jakiegokolwiek szkody spowodowane nieprawidłowym postępowaniem z wyrobem.

Serwis

- Producent sprzętu sugeruje, by wszelkie naprawy i czynności regulacyjne były wykonywane przez Serwis Fabryczny lub Serwis Autooryzowany producenta. Ze względu na bezpieczeństwo nie należy naprawiać urządzenia we własnym zakresie.
- Naprawy, wykonywane przez osoby nie posiadające wymaganych kwalifikacji mogą stanowić poważne niebezpieczeństwo dla użytkownika urządzenia.
- Minimalny okres obowiązywania gwarancji na urządzenie oferowane przez producenta, importera lub upoważnionego przedstawiciela jest podany w karcie gwarancyjnej.
- Urządzenie traci gwarancję w wyniku samowolnych adaptacji, przeróbek, naruszenia plomb lub innych zabezpieczeń sprzętu lub jego części oraz innych samowolnych ingerencji w sprzęt niezgodnych z instrukcją obsługi.

Zgłoszenie naprawy oraz pomoc w razie usterki

Jeżeli urządzenie wymaga naprawy, należy skontaktować się z serwisem. Dane adresowe serwisu jak i kontaktowy numer telefonu znajduje się w karcie gwarancyjnej. Przed kontaktem należy przygotować numer seryjny urządzenia, znajduje się on na tabliczce znamionowej. Dla wygody przepisz go poniżej:

--	--	--	--	--	--	--	--	--	--	--	--	--	--	--	--	--	--	--	--	--

Oświadczenie producenta

Producent deklaruje niniejszym, że wyrób ten spełnia zasadnicze wymagania wymienionych poniżej dyrektyw europejskich:

- **Dyrektywy niskonapięciowej 2014/35/EU**
- **Dyrektywy kompatybilności elektromagnetycznej 2014/30/EU**
- **Dyrektywy ekoprojektowania 2009/125/EC**
- **Dyrektywy RoHS 2011/65/EU**

i dlatego wyrób został oznakowany  oraz została wystawiona dla niego deklaracja zgodności udostępniana organom nadzorującym rynek.

Estimado Cliente

A partir de hoy tus deberes serán más fáciles que nunca. El aparato de la marca **Amica** es excepcionalmente fácil de usar y perfectamente eficaz. Después de leer el manual, el uso no será ningún problema.

El equipo, antes de abandonar la fábrica y ser empaquetado, fue minuciosamente comprobado que funciona seguramente en los puestos de control de calidad.

Les rogamos lean con atención este manual de la primera puesta en marcha de este aparato. Seguir las instrucciones incluidas en el presente manual les protegerá del uso inadecuado. Guardar este manual para tenerlo siempre accesible.

Seguir estrictamente las instrucciones de uso para evitar siniestros.

Atentamente

Amica

IMPORTANTES INSTRUCCIONES DE SEGURIDAD

- El aparato está destinado solamente para uso doméstico.
- El fabricante se reserva el derecho a realizar cambios que no influyan en la forma de funcionamiento del aparato.
- El fabricante no se responsabiliza de los daños que puedan resultar de no seguir las indicaciones incluidas en el presente manual.
- Rogamos guarde este manual que le puede ser útil en el futuro o para transferir al eventual usuario futuro.
- El presente aparato no debe ser usado por personas (incluyendo niños) con capacidad física, sensual o psíquica limitada y por las personas que no tengan experiencia o conocimientos del empleo del aparato con tal de que se encuentren bajo vigilancia o sigan las instrucciones de uso del aparato por la persona responsable de su seguridad.
- Hay que fijarse en que los niños sin tutela no usen ni jueguen con el aparato. No está permitido sentarse ni colgarse en los elementos salientes o puerta.
- El aparato funciona correctamente a la temperatura de ambiente que se da en la tabla con especificaciones técnicas
- Durante el uso, movimiento, elevación no se debe coger de los mandriles de puerta, tirar del condensador en la parte trasera de la nevera o tocar la compresora.
- Antes de todas las actividades de mantenimiento hay que sacar el enchufe de la toma de alimentación. No se debe tirar del cable sino del enchufe.

- Los sonidos que suenan a crujido o chasquidos son ocasionados por la extensión y encogimiento de las partes a consecuencia de los cambios de temperatura.
- Por cuestiones de seguridad no se debe reparar el aparato por su propia cuenta. La realización de reparaciones por las personas que no tengan la adecuada cualificación puede ser seriamente peligrosa para el usuario de aparato.
- Hay que tener cuidado para no dañar el circuito refrigerador, por ejemplo, al picar el agente refrigerador en el evaporador o al romper tubos. El agente refrigerante que puede liberar es inflamable. En caso de que llegue a los ojos enjuagar con mucha agua e inmediatamente llamar al médico.
- ¡Nota! Cuando el cable de alimentación inseparable sufra daño deberá ser reemplazado por el fabricante o reparado por un especialista o por una persona calificada para evitar peligro
- Hay que desconectar completamente el aparato de la alimentación, desenchufándolo para actividades como limpieza, mantenimiento o cambio de posición.
- El dispositivo puede ser empleado por niños de 8 años o mayores, por personas con capacidad física, sensorial o psíquica reducida y por personas que no tengan experiencia o conocimientos del empleo del aparato, en caso de estar vigiladas o cuando hayan sido instruidas sobre el uso del aparato de forma segura y conozcan los peligros relacionados con el uso del aparato. Los niños no deben jugar con el aparato. La limpieza y el mantenimiento del aparato no debe ser realizado por los niños a menos que tengan cumplidos los 8 años y se encuentren bajo vigilancia de persona adecuada.
- No limpie el aparato con vapor.
- Mantenga el aparato y su cable de conexión lejos de los niños menores de 8 años.
- No sumerja el cable de conexión ni la clavija en

agua.

- Mantenga el cable lejos de superficies calentadas.
- No permita que el cable de conexión cuelgue del borde de la mesa o la encimera.
- No utilice aparatos eléctricos dentro de la cámara
- No utilice herramientas para acelerar la descongelación
- Limpie con regularidad los orificios de extracción de aire del aparato (en caso de aparatos empotrados o instalados en la encimera)
- Este aparato no fue diseñado para actuar con programadores de tiempo electrónicos ni otros aparatos para cortar la alimentación directamente o de forma remota.
- En caso de derramar un líquido por casualidad en elementos eléctricos, desconecte inmediatamente el aparato de alimentación.
- Debe asegurarse de que durante las actividades de montaje el conducto de alimentación no quede aplastado o dañado.
- Antes de reciclar el aparato debe hacerlo incapaz de ser usado. Es decir, necesita desconectar la alimentación y cortar el cable de alimentación. Para prevenir encerrar niños o animales en el aparato, desmonte la puerta, las bisagras y las cerraduras.
- Advertencia: Si el aparato no dispone de compartimento , significa que este aparato de refrigeración no es adecuado para congelar alimentos.
- El período mínimo durante el cual las piezas de repuesto necesarias para reparar el dispositivo se encuentran disponibles es de 7 o 10 años, dependiendo del tipo y el propósito de la pieza de repuesto. Asimismo, dicho período es conforme con el Reglamento (UE) 2019/2019 de la Comisión.
- La lista de repuestos y el procedimiento para realizar pedidos se encuentran disponibles en los sitios web del fabricante, importador o un representante autorizado.

INSTALACIÓN Y CONDICIONES DE TRABAJO DEL APARATO

- Conecte el aparato a la alimentación a las 24 horas desde el momento de desembalarlo y colocar en el lugar de destino.
- Primero, hay que desembalar el producto, eliminar las cintas adhesivas que protegen la puerta y el interior. Los eventuales residuos de cola deben ser eliminados con un agente de limpieza delicado.
- Hay que lavar el interior del frigorífico así como los elementos internos con agua tibia y detergente lavavajillas y, luego, ventilar y secar.
- Hay que situar el frigorífico en un suelo horizontal y estable, en una habitación seca, ventilada y no expuesta al sol, lejos de las fuentes de calor, tales como la cocina, radiador de calefacción, tubo de calefacción, instalación de agua caliente, etc.
- En las superficies externas del productos puede haber película protectora, hay que eliminarla.
- Hay que garantizar la posición horizontal ajustando las dos patas regulables (Fig. 1).
- Guarde espacio libre a los lados y en la parte trasera del aparato (ver el dibujo de montaje)
- Asegúrese de que la instalación del aparato como empotrado en los muebles no bloquee la rejilla de ventilación que se encuentra en la parte inferior del frigorífico
- Después del primer inicio del aparato puede aparecer un olor especial. Desaparecerá cuando el aparato se refrigere
- Con el primer inicio, el compresor del aparato funcionará sin parar hasta el momento de llegar a la temperatura encargada dentro del refrigerador
- Después de desconectar la alimentación, se recomienda volver a conectarlo al transcurrir al menos 5 minutos. Esto reducirá el riesgo de dañar el compresor.
- En modelos seleccionados la temperatura correcta se visualizará en la pantalla al transcurrir unas horas desde el inicio del frigorífico
- Hay que conectar el aparato a la red de corriente alterna 220-240V, 50Hz, por medio de la correctamente instalada caja eléctrica, con toma a tierra y protegida con fusible de 10 A.
- La conexión a toma de tierra del aparato es requerida por las leyes. El fabricante renuncia a cualquier responsabilidad a título de los eventuales daños que puedan sufrir las personas u objetos a consecuencia de incumplimiento de la obligación impuesta por estas leyes.
- No se debe usar conectores de adaptación, tomas múltiples (regletas), cables de extensión de dos cables. En caso de que sea necesario emplear un cable de extensión, podrá ser solamente el cable de extensión con toma a tierra que tenga certificado de seguridad de VDE/GS.
- En caso de usar el cable de extensión (con toma a tierra y con marca de seguridad), su toma deberá encontrarse en la distancia segura de lavavajillas y no deberá estar expuesta a agua de entrada o desagué.
- Hay que garantizar la posibilidad de desconectar el aparato de la red eléctrica, por medio de la desconexión del interruptor bipolar.

Clase climática

La información sobre la clase climática del aparato se encuentra en la tabla nominal. Indica la temperatura de ambiente (es decir, habitación donde funciona) en el que el producto funciona de forma óptima (correctamente).

Clase climática		Temperatura ambiente permitida
SN	Subnormal	El aparato de refrigeración está diseñado para usarse a una temperatura ambiente entre 10 °C y 32 °C
N	Normal	El aparato de refrigeración está diseñado para usarse a una temperatura ambiente entre 16 °C y 32 °C
ST	Subtropical	El aparato de refrigeración está diseñado para usarse a una temperatura ambiente entre 16 °C y 38 °C
T	Tropical	El aparato de refrigeración está diseñado para usarse a una temperatura ambiente entre 16 °C y 43 °C

CONSEJOS PRÁCTICOS

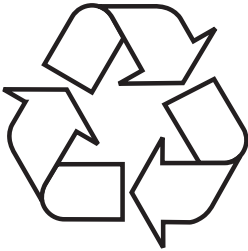
- Si la luz dentro el aparato permanece activada se debe recordar que la temperatura dentro del aparato será superior
- La temperatura en el interior depende de la cantidad y del tipo de las botellas con vino almacenadas
- Para garantizar la seguridad de usuario y una alta calidad del vino almacenado, no instale el aparato en habitaciones con humedad
- Almacene botellas de vino en lugares dedicados para ello
- El frigorífico tiene capacidad limitada, no coloque más botellas que la cantidad determinada (Ver la tarjeta de producto)
- No abra la puerta de frigorífico si no es necesario
- No cubra las estanterías con lámina de aluminio ni con otro producto. Esto bloqueará la circulación de aire dentro del aparato
- Para evitar daños de la junta de goma de la puerta, antes de sacar la estantería asegúrese de que la puerta está completamente abierta. Debe introducir las estanterías hasta sentir resistencia, de lo contrario, la estantería podrá deformar la junta de goma, lo cual podrá ocasionar su daño completo.
- No saque las estantería cargadas fuera del límite (más o menos 1/3 del largo de la estantería)
- Este aparato fue diseñado para almacenar botellas con vino, no lo use para otros objetivos
- La estabilidad de temperatura tiene mucha importancia durante el almacenamiento de vino
- La exposición de frigorífico a los rayos solares, grandes cambios de temperatura, alta humedad así como las vibraciones podrán provocar que el vino no sea potable
- En periodos de alta humedad en superficie externas de la puerta de vidrio podrá aparecer vapor condensado. Para prevenirlo, se recomienda instalar el aparato en un lugar seco y ventilado adecuadamente
- Los modelos seleccionados tienen un mango externo, se debe apretarlo por su propia cuenta. No use para ello herramientas eléctricas (fig. 3*).

Para ello, tire ligeramente de la junta de la puerta hacia un lado y coloque los tornillos en la parte interior de la puerta. Alinee el mango con los orificios en la parte exterior de la puerta y apriete los tornillos con un destornillador. Vuelva a colocar la junta de la puerta.

- La capacidad máxima de frigorífico se encuentra en la tarjeta de producto que acompaña el frigorífico. La capacidad se refiere a las botellas estandarizadas de tipo Bordeaux 0,75l
- Los modelos seleccionados tienen bloqueo contra la caída del aparato. Móntelo según el esquema adjunto (Fig. 6*).
- Este aparato de refrigeración está diseñado para usarse como integrable.
- Para lograr el mejor nivel de conservación de alimentos durante el período más prolongado posible y para evitar su desperdicio, coloque los productos como se muestra en la Figura 12. Además, esta figura ilustra la distribución de los cajones, cestas y estantes, lo cual permite al aparato de refrigeración utilizar la energía de forma más eficiente.
- El almacenamiento de los alimentos en las condiciones y la temperatura adecuadas extenderá su vida útil y optimizará el consumo de electricidad. El intervalo de temperatura apropiado debe figurar en el envase o en las etiquetas de los alimentos.

*En función del modelo

DESEMBALAJE



El aparato ha sido asegurado contra daños antes del transporte. Después de desembalar el dispositivo les rogamos eliminen los elementos del embalaje de forma que no sea nociva para el medio ambiente.

Todos los materiales empleados para embalar no son nocivos para el medio ambiente, en un 100% sirven para ser reciclados y llevan símbolos respectivos.

¡Advertencia! Los materiales de embalaje (saquitos de polietileno, trozos de poliuretano, etc.) deben ser guardados lejos del alcance de niños a la hora de desembalar.

ELIMINACIÓN DE APARATOS USADOS



Este aparato está marcado con el símbolo de contenedor para desechos tachado, según la Directiva Europea 2012/19/CE. Dicho símbolo informa que este aparato, pasado el periodo de su uso, no debe ser eliminado junto con los demás desechos proceden-

tes de hogares.

El usuario está obligado a devolverlo a un lugar destinado para recoger el equipo eléctrico y electrónico gastado. Las entidades que realizan la recogida, incluyendo los puntos locales de recogida, tiendas, y entidades municipales, crean un sistema adecuado que permite la devolución de estos aparatos.

El adecuado uso del equipo eléctrico y electrónico gastado ayuda a evitar las consecuencias que son nocivas para humanos y para el medio ambiente procedentes de la presencia de componentes peligrosos e inadecuado almacenamiento y procesamiento de estos dispositivos.

ELEMENTOS DE CONTROL

Elementos de control - una y dos zonas





El panel de control se encuentra en el dibujo 4. También se encuentra abajo:

Una zona



Dos zonas



-  – Botón de alimentación
-  – Botón de iluminación
-  – Tecla “+”
-  – Tecla “-”

Activación / desactivación de alimentación

Para activar el frigorífico para vino apretar y mantener el botón de alimentación durante 1 segundo.

Para desactivar el frigorífico para vino apretar y mantener el botón de alimentación durante 5 segundos.

Cambio de temperatura

- Apretar el botón “+” ó “-” para visualizar la temperatura adecuada en el visualizador.
- La configuración predeterminada de temperatura es de 12°C / 54°F.
- Para cambiar la unidad de temperatura de Fahrenheit a centígrados o al revés, apretar y mantener el botón de iluminación durante 5 segundos.
- Para verificar la temperatura fijada se debe apretar en cualquier momento el botón “+” ó “-”, y la temperatura fijada va a parpadear en el visualizador LED durante 5 segundos.
- Cuando el frigorífico para vino está activado, el visualizador indica la temperatura actual del interior.

Advertencia: La temperatura de la zona inferior debe ser fijada como igual o superior que en la zona superior. Se consigue el trabajo óptimo cuando la diferencia de temperatura de ambas zonas es de, al menos, 4 °C.

Selección de temperatura óptima

La mejor temperatura de almacenamiento de vino son 13-15°C, sin embargo, el vino, puede ser almacenado también a la temperatura de servir. Para el vino tinto son 15-17°C y para el blanco 12-13°C.

Iluminación del interior

Si apretamos el botón de iluminación podemos encender y apagar la luz.

Humedad en el interior

Algunos modelos de frigoríficos para vino están dotados del sistema de mantenimiento de humedad óptima en el frigorífico. Rellenar con agua el depósito del sistema de humedad hasta 3/4 de su capacidad. Colocar el depósito en carriles, en el estante superior, según el dibujo 2. Colocar el depósito correctamente para que el agua no se derrame. Verificar con regularidad el nivel de agua y cuando sea necesario rellenarlo.

Visualizador de temperatura

El visualizador de temperatura indica la temperatura actual del interior.

El visualizador parpadea:

- A la hora de fijar otra temperatura
- Si la diferencia de temperatura del interior es de +/- 5° de la temperatura fijada.

Esto sirve para avisar del daño del contenido de frigorífico si la temperatura crece excesivamente.

Modo de insonorización

Después de conseguir la temperatura requerida el aparato funciona sin el trabajo del ventilador.

El frigorífico para vino tiene fijado el modo predeterminado de insonorización. Para cambiar la configuración en el modo de refrigeración dinámica se debe apretar y mantener el botón "-" durante unos 5 segundos (el botón "-" a la izquierda en los frigoríficos de dos zonas). El frigorífico para vino emitirá señal sonora cinco veces para confirmar la activación de refrigeración dinámica.

Modo de refrigeración dinámica

El ventilador funciona y para alternativamente para mantener la circulación de aire incluso cuando ya ha conseguido la temperatura requerida. Esto garantizará humedad y temperatura permanentes y regulares y creará condiciones ideales para almacenamiento a largo plazo.

El modo de refrigeración dinámica hace aumentar el ruido durante el trabajo del aparato.

Para cambiar la configuración en el modo de insonorización se debe apretar y mantener el botón "+" durante unos 5 segundos (el botón "+" a la izquierda en los frigoríficos de dos zonas). El frigorífico para vino emitirá señal sonora tres veces para confirmar la activación de insonorización.

Modo fin de semana

En este modo se desactiva el visualizador, la iluminación del interior y las señales sonoras. La refrigeración se mantiene permanente. Para activar el Modo fin de semana se debe apretar y mantener durante 5 segundos al mismo tiempo el botón de alimentación e iluminación. El indicador parpadeará cuatro veces y confirmará la activación del modo. El modo se apagará automáticamente a las 48 horas; para desactivar el modo en cualquier momento se debe apretar y mantener al mismo tiempo el botón de alimentación e iluminación durante 5 segundos.

Alarma de Temperatura

Si la temperatura sube o baja por debajo del alcance determinado, se oirá alarma sonora y el visualizador parpadeará. La causa podrá ser:

- El frigorífico no ha alcanzado todavía la temperatura fijada (después de la primera activación).
- Hubo pausa en la alimentación.
- El frigorífico para vino está recargado.
- La puerta no está bien cerrada.

LIMPIEZA Y CONSERVACIÓN

Antes de limpiar y mantener siempre se debe desconectar el aparato de la alimentación.

Retirada de estantes

- Para sacar estante del frigorífico de vino, en primer lugar debe sacar todas las botellas y, luego, tirar el estante hacia adelante hasta que las ranuras a ambos lados del estante se alineen con los bordes a ambos lados de la cámara (según el dibujo 5). Luego, se debe subir el estante hacia arriba y hacia adelante.
- Para introducir el estante se debe hacer lo mismo en orden contrario.

Limpieza

- No usar productos de limpieza abrasivos ni detergentes. Después de lavar, aclarar y secar minuciosamente.
- Lavar la caja de aparato y las juntas de la puerta con el uso de agua con detergente delicado y secar después de lavar.
- Limpiar el interior del aparato con solución de soda en agua templada.
- Lavar los estantes por separado con agua y medio de limpieza. No meter los estantes en el lavavajillas.
- El panel de control y las partes eléctricas deben ser frotados con un trapo húmedo y antes de conectar el aparato a la alimentación se-carlo minuciosamente.
- Después de lavar conectar el aparato a la alimentación.
- Si el aparato no es usado durante más tiempo, desconectar de la alimentación y lavar minuciosamente. Dejar la puerta un poco abierta para prevenir la creación de olor o condensación de agua.

LOS PROBLEMAS

Caso de cualquier problema, antes de llamar el servicio, comprobar las indicaciones en cuanto a la solución autónoma de problemas para prevenir visitas innecesarias y costes innecesarios.

Si el aparato no funciona, debe comprobar

- Que la alimentación está conectada al aparato
- Que los fusibles o interruptores protectores de casa funcionan y el fusible del enchufe no ha disparado.
- Que la toma de corriente funciona correctamente. Conectar otro aparato eléctrico para comprobar que la toma de corriente funciona correctamente.
- La temperatura de ambiente debe ser de 16°C a 32°C.

Si el aparato funciona pero no funciona lo suficiente bien se debe comprobar

- Que el aparato no está recargado.
- Que el termóstato tiene fijada la temperatura correcta.
- Que la puerta está cerrada correctamente.
- Que la junta de la puerta se adhiere bien
- Que la ventilación a los lados y en la parte trasera es suficiente.
- La temperatura de ambiente debe ser de 16°C a 32°C.

Si el aparato hace ruido, se debe comprobar

- Que el aparato está bien nivelado y colocado de forma estable.
- El líquido refrigerante de gas hace ruido incluso cuando el compresor no funciona.
- Durante el trabajo de aparato el ventilador puede funcionar incluso cuando el compresor no funciona.

Si la iluminación no funciona, se debe comprobar

- Que la alimentación está conectada al aparato.
- Que los fusibles o interruptores protectores de casa funcionan y el fusible del enchufe no ha disparado.
- Que el botón de iluminación no está en posición apagada.

Advertencia:

La iluminación LED no se puede cambiar sin llamar el servicio

Si la puerta no está cerrada correctamente, se debe comprobar

- Que el aparato está bien nivelado y colocado de forma estable.
- Si la puerta acaba de ser retirada, podía no estar montada correctamente.
- La junta de la puerta está sucia.
- Los estantes no están montados correctamente.

Si en el visualizador ilumina "E1" o "E2"

- Daño del sensor de temperatura. Se debe contactar el servicio

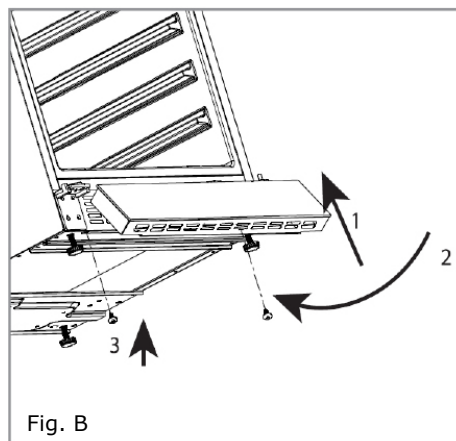
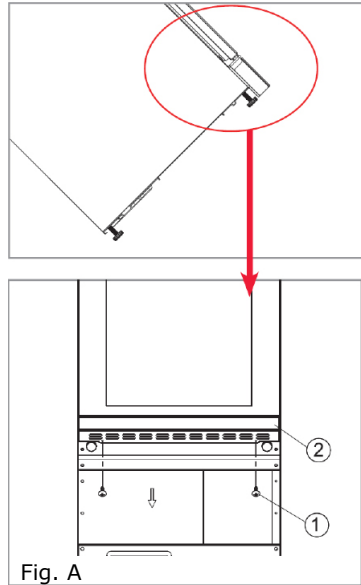
EPREL

Puede encontrar más información sobre el producto en la base de datos de productos de EPREL de la UE en <https://eprel.ec.europa.eu>. Puede obtener información escaneando el código QR de la etiqueta energética o introduciendo el modelo del producto mostrado en la etiqueta energética en el motor de búsqueda de EPREL <https://eprel.ec.europa.eu/>

MONTAJE DEL PEDESTAL

La instalación debe ser realizada por al menos dos personas cualificadas. Durante la instalación, proteja la superficie debajo de la puerta con una toalla o cartón. Durante el montaje, no incline el aparato más de 45°. Si inclina el dispositivo, espere al menos 8 horas antes de encenderlo.

1. Retire los tornillos que fijan el pedestal y el soporte inferior (Fig. A).
2. Introduzca los enganches de la parte de vidrio del pedestal en los orificios de la parte superior del pedestal metálico. Coloque el pedestal de manera que los orificios del borde interior de la sección del pedestal con frontal de vidrio queden alineados con los orificios del pedestal metálico. Vuelva a apretar los tornillos (2) (Fig. B)



GARANTÍA, ATENCIÓN DE POST VENTA

Garantía

Servicios de garantía según la tarjeta de garantía. El fabricante no asume ninguna responsabilidad por los daños causados por el uso incorrecto del producto.

Servicio técnico

- El fabricante del equipo sugiere que todas las reparaciones y ajustes sean realizados por el Servicio de Fabrica o el Servicio Autorizado del Fabricante. Por razones de seguridad, no repare el dispositivo usted mismo.
- Las reparaciones realizadas por personas sin las cualificaciones requeridas pueden constituir un grave peligro para el usuario del dispositivo.
- El periodo de garantía mínimo para el dispositivo ofrecido por el fabricante, importador o representante autorizado se encuentra en la tarjeta de garantía.
- El dispositivo perderá su garantía como resultado de adaptaciones arbitrarias, alteraciones, manipulación de sellos u otras garantías del equipo o partes del mismo, así como otras interferencias arbitrarias no conformes con las instrucciones de uso.

Solicitud de reparación y asistencia en caso de avería


Si el dispositivo requiere reparación, contacte con el servicio técnico. La dirección del servicio técnico y el número de teléfono de contacto se encuentran en la tarjeta de garantía. Antes de contactar con el servicio técnico, prepare el número de serie del dispositivo, que se encuentra en la placa de características. Para mayor comodidad, introduzca a continuación:

--	--	--	--	--	--	--	--	--	--	--	--	--	--

Declaración del fabricante

El fabricante declara con la presente que el producto cumple los requisitos esenciales de las siguientes directivas europeas:

- **directiva de baja tensión 2014/35/EC**
- **directiva de compatibilidad electromagnética 2014/30/EC**
- **directiva de diseño ecológico 2009/125/EC**
- **directiva RoHS 2011/65/EC**

y por lo tanto el producto fue marcado  y tiene declaración de conformidad compartida a las entidades que supervisan el mercado.

Spoštovani Klienti

Od danes bodo vsakodnevni opravki preprostejši kot kdajkoli prej. Naprava **Amica** je skupek izjemno lahke uporabe in popolne učinkovitosti. Ko boste prebrali navodila za uporabo, uporaba ne bo problem.

Naprava, ki je zapustila tovarno, je bila pred pakiranjem na kontrolnih oddelkih natančno preverjena glede varnosti in funkcionalnosti.

Prosimo vas, da si natančno preberete navodila za uporabo preden zaženete napravo. Zagotavljanje usklajenosti z vsebino v navodilih vas bo ščitilo pred neustrezno uporabo. Navodilo je treba shraniti in hraniti tako, da ga boste imeli vedno pri roki.

Skrbno upoštevajte navodila za uporabo, da preprečite kakršnokoli nezgodo.


S spoštovanjem,

Amica

NAVODILA ZA ZAGOTAVLJANJE VARNOSTI UPORABE

- Naprava je namenjena izključno domači uporabi.
- Proizvajalec si pridržuje možnost izvajanja sprememb, ki nimajo vpliva na delovanje naprave.
- Proizvajalec ne nosi odgovornosti za škodo, ki izhaja iz neupoštevanja pravil, zapisanih v spodnjih navodilih.
- Prosimo, da ta navodila shranite, da jih lahko uporabite v prihodnje ali pa predate naslednjemu uporabniku.
- Naprava ni namenjena uporabi za osebe (tudi otroke) z omejeno fizično, senzorično ali psihično zmogljivostjo, ali osebam s pomanjkanjem izkušenj ali poznavanja naprave, razen če se to počne pod nadzorom ali v skladu z navodili uporabe naprave, ki jih podaja oseba, ki je odgovorna za njihovo varnost.
- Se posebej je potrebno paziti, da otroci brez nadzora ne uporabljajo naprave. Prav tako jim ne smemo dovoliti, da se z napravo igrajo. Ne smejo sedeti na izvlečenih elementih ali se obešati na vrata.
- Naprava pravilno deluje v temperaturi okolja, ki je podana na kartici izdelka. Naprave ne smemo uporabljati v kleti, v veži, v neogrevani vikend hiši jeseni in pozimi.
- Med postavljanjem, prestavljanjem in prenašanjem se ne smete oprijemati ročajA vrat, vleči za kondenzator na zadnji strani hladilnika ali se dotikati kompresorja.
- Pred vsakim vzdrževalnim delom moramo vtič izklopiti iz vtičnice. Ne smemo vleči za kabel, ampak pridržati korpus vtičnice.

- Zvoki kot treskanje ali pokaanje so lahko posledica širjenja in oženja delov zaradi spremembe temperature.
- Zaradi varnostnih razlogov, naprave ne smemo popravljati sami. Popravila, ki jih izvajajo osebe, ki nimajo zahtevanih pooblastil, lahko predstavljajo resno nevarnost za uporabnike naprave.
- Potrebno je paziti, da ne poškodujemo hladilnega sistema, npr. s preluknjanjem kanalov hladilnega sredstva v izparilniku, z zlomom cevi. Brizgajoče hladilno sredstvo je vnetljivo. V primeru, da sredstvo brizgne v oči, jih morate umiti s čisto vodo in takoj poklicati zdravnika.
- Pozor! Če se neodstranljivi napajalni kabel poškoduje, mora biti zamenjan pri proizvajalcu ali pri specializiranem servisu oz. kvalificirani osebi, saj se s tem izognemo nevarnosti.
- Med čiščenjem, vzdrževalnimi deli ali spremembo postavitve, morate napravo povsem izklopiti od napajanja (vtič izklopite iz vtičnice).
- To napravo lahko otroci v starosti 8 let ali več, osebe z omejenimi fizičnimi, senzoričnimi ali psihičnimi sposobnostmi in osebe brez izkušenj ali poznavanja naprave, uporabljajo le kadar so nadzorovane, ali pa so bile poučene na temo varne uporabe naprave in poznajo možne nevarnosti povezane z uporabo naprave. Otroci se ne smejo igrati z napravo. Čiščenja in vzdrževanja naprave ne smejo izvajati otroci, razen če so že dopolnili 8 let in so pod nadzorom odgovorne osebe.
- Naprave ni dovoljeno čistiti s paro.
- Napravo in pripadajoč priključni kabel hranite na mestu, ki ni dostopen otrokom mlajšim od 8 let.
- Priključnega kabla ali vtikača ne smemo potopiti v vodo.
- Priključni kabel držite stran od vročih površin.
- Priključni kabel ne sme viseti prek roba mize ali pulta.

- V notranjosti hladilnika ne smete uporabljati električnih naprav
- Ne uporabljajte naprav za hitro odmrzovanje
- Redno čistite ventilacijske naprave (v primeru naprav za pohištvno vgradnjo ali vgradnjo pod pult)
- Ta naprava ni projektirana za delo z elektronskimi programatorji časa, niti z drugimi napravami za neposreden ali izklop napajanja.
- V primeru, da se po električnih elementih slučajno razlije tekočina, morate napravo takoj odklopiti od napajanja.
- Potrebno se je prepričati, da med montažnimi deli napajalni kabel ni bil preščiپnjen ali poškodovan.
- Pred odstranitvijo naprave za odpad je potrebno poskrbeti, da ne bo primerna za uporabo. To vključuje, da odklopite napajanje in odrežete napajalni kabel. Če se želite izogniti temu, da se v napravo zaprejo otroci ali živali, odmontirajte vrata, tečaje in ključavnice.
- Pozor: Če naprava nima prekata , to pomeni, da ta hladilna naprava ni primerna za potrebe zamrzovanja živilskih izdelkov.
- Minimalno obdobje, v katerem so na voljo rezervni deli, nujno potrebni za popravilo naprave, je 7 ali 10 let, odvisno od vrste in namena rezervnega dela in je v skladu z Uredbo Komisije (EU) 2019/2019.
- Seznam rezervnih delov in postopek njihovega naročanja sta na voljo na spletnih straneh proizvajalca, uvoznika ali pooblaščenega zastopnika.

MONTAŽA IN POGOJI DELOVANJA NAPRAVE

- Napravo priklopite na napajanje po preteku 24 ur od trenutka, ko ste napravo razpakirali in jo postavili na ciljno mesto.
- Izdelek morate razpakirati, odstraniti lepilne trakove, ki varujejo vrata in opremo. Eventualne preostale delce lepilnega traku lahko odstranimo z nežnim sredstvom za pomivanje

- Notranjost hladilnika oziroma elementi opreme je potrebno pomiti z mlačno vodo z dodatkom tekočine za pomivanje posode, nato pa jo obrisati in posušiti.
- Hladilnik naj bo postavljen na enakomerno, ravno in stabilno površino, v suhem, prezračevanem in ne sončnem prostoru, stran od virov toplote, kot so kuhinja, radiator za centralno ogrevanje, cev za centralno ogrevanje, toplovodna instalacija itd.
- Na zunanjih površinah izdelka se lahko nahaja varovalna folija, ki jo morate odstraniti.
- Izdelek je treba postaviti vodoravno, s pomočjo navijanja dveh nastavljivih nog (slika 1).
- Ohranite nekaj prostega prostora ob straneh in na hrbtni strani naprave (glejte sliko montaže)
- Prepričajte se, da namestitev naprave v pohištvo ne bo blokirala prezračevalne rešetke, ki se nahaja na dnu hladilnika
- Po prvem zagonu naprave se lahko pojavi poseben vonj. Ta bo izginil, ko bo notranjost naprave ohlajena
- Ob prvem zagonu bo kompresor naprave neprekinjeno deloval, dokler ne bo dosežene nastavljena temperatura v notranjosti hladilnika
- Po izklopu napajanja je priporočljivo, da ga ponovno priklopit po min. 5 minutah To zmanjša tveganje poškodb kompresorja.
- Na izbranih modelih bo pravilna temperatura prikazana na zaslonu šele po preteku nekaj ur od vklopa hladilnika
- Napravo moramo povezati z napeljavo izmeničnega električnega toka 220-240V, 50Hz, s pravilno nameščeno vtičnico, ozemljeno in zavarovano z varovalko 10 A.
- Ozemljitev naprave je zahtevana z zakonodajnimi predpisi. Proizvajalec se odpoveduje kakršnikoli odgovornosti glede eventualnih škod, ki jih lahko povzročijo osebe ali predmeti zaradi neupoštevanja tega predpisa.
- Ne uporabljajte povezovalnih adapterjev, razdelilcev in dvožilnih podaljškov. Če je nujno, da uporabite podaljšek, je to lahko le podaljšek z varovalnim obročkom in enim gnezdom, ki ima atest varnosti VDE/GS.
- Če uporabite podaljšek (z varovalnim obročkom, z varnostno oznako), mora njegovo gnezdo ležati v varni oddaljenosti od pomivalnega korita in ne sme biti nikoli zalito z vodo ali drugimi tekočinami.
- Potrebno je zagotoviti možnost izklopa naprave od električne napeljave, bodisi z odklopom vtičača ali izklopom dvostopenjskega stikala.

Klimatski razred

Informacija o klimatskem razredu naprave se nahaja na znakovni tablici. Kaže nam, pri kakšni temperaturi okolja (tj. prostora, v katerem deluje), naprava deluje optimalno (pravilno).

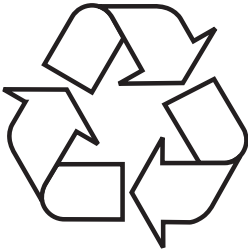
Klimatski razred		Dovoljena temperatura okolja
SN	subnormalni klimatski razred	Hladilna naprava je namenjena uporabi pri temperaturi okolja v razponu od 10 °C do 32 °C
N	normalni klimatski razred	Hladilna naprava je namenjena uporabi pri temperaturi okolja v razponu od 16 °C do 32 °C
ST	subtropski klimatski razred	Hladilna naprava je namenjena uporabi pri temperaturi okolja v razponu od 16 °C do 38 °C
T	tropski klimatski razred	Hladilna naprava je namenjena uporabi pri temperaturi okolja v razponu od 16 °C do 43 °C

PRAKTIČNI NASVETI

- Če osvetlitev znotraj naprave oštane prižgana, je potrebno vedeti, da bo temperatura v napravi višja
- Notranja temperatura je odvisna od količine in vrste shranjenih steklenic vina
- Če želite zagotoviti uporabnikovo varnost in visoko kakovost shranjenega vina, naprave ne montirajte v vlažne prostore
- Shranjujte steklenice vina na za to določenih mestih
- Hladilnik ima omejeno kapaciteto, ne postavljajte več steklenic od navedene količine (Glejte kartico izdelka)
- Ne odpirajte vrat hladilnika, če to ni nujno
- Polic ne pokrivajte z aluminijasto folijo ali drugim materialom. To zablokira cirkulacijo zraka znotraj naprave
- Da ne poškodujete tesnila vrat, preden izvlečete polico preverite, da so vrata popolnoma odprta. Police je treba vstaviti do konca, sicer lahko polica deformira tesnilo, kar lahko povzroči, da se povsem poškoduje.
- Naloženih polic ne odstranjujte čez mejo podaljška (približno 1/3 dolžine police)
- Ta naprava je zasnovana za shranjevanje steklenic vina, ne uporabljajte je za druge namene
- Stabilna temperatura je zelo pomembna pri shranjevanju vina
- Izpostavljanje hladilnika sončni svetlobi, velikim temperaturnim nihanjem, visoki vlagi in vibracijam lahko povzročijo, da je vino neprimerno za uživanje
- V obdobjih visoke vlage v zraku se na zunanji strani steklenih vrat lahko pojavi kondenz. Da bi to preprečili, je priporočljivo, da napravo namestite v suho, dobro prezračeno sobo
- Izbrani modeli imajo zunanji ročaj, ki ga morate priviti sami. V ta namen ne uporabljajte električnega orodja (Slika 3)*. Če želite to narediti, rahlo povlecite tesnilo na stran in vijake namestite na notranjo stran vrat. Poravnajte ročaj z luknjami na zunanji strani vrat in privijte vijake z izvijačem. Ponovno nastavite tesnilo vrat.
- Največja kapaciteta naprave je navedena na kartici izdelka, ki jo dobite skupaj s hladilnikom. Ta prostornina velja za standardne steklenice tipa Bordeaux 0,75l
- Izbrani modeli imajo blokado, ki preprečuje, da bi se naprava prevrnila. Montirajte jo glede na priloženo shemo. (Slika 6)*.
- Ta hladilna naprava je namenjena za uporabo kot vgradna naprava.
- Če želite doseči najboljšo raven konzerviranja živil kar najdaljši čas in se izogniti temu, da bi se pokvarila, je potrebno izdelke razporediti tako, kot je prikazano na Risbi 12. Ta risba dodatno prikazuje razpored predalov, košev in polic, ki hladilni napravi omogoča najbolj učinkovito porabo energije.
- Shranjevanje živil v določenih pogojih in pri določeni temperaturi podaljša čas njene uporabnosti pred zaužitjem in optimizira porabo električne energije. Razpon primernih temperatur mora biti naveden na pakiranjih ali etiketah živilskih izdelkov.

*Odvisno od modela

RAZPAKIRANJE



Naprava je bila za čas transporta zaščiten pred poškodovanjem. Prosimo, da po razpakiranju naprave odstranite elemente embalaže na način, ki ne ogroža okolja.

Vsi materiali, uporabljeni za embalažo, so okolju prijazni, v celoti jih je možno reciklirati, kar je označeno z ustreznim simbolom.

Pozor! Embalažna materiale (polietilenske vrečke, kose polistirena, itd.), je treba pri razpakiranju hraniti izven dosega otrok.

ODSTRANJEVANJE IZRABLJENIH NAPRAV



Ta naprava je označena skladno z evropsko direktivo 2012/19/EU. Tako oznaka obvešča, da se zadevne opreme po odrabi ne sme odlagati skupaj z drugimi gospodinjskimi odpadki.

Uporabnik jo je dolžan oddati subjektu, specializiranemu za zbiranje odpadne električne in elektronske opreme. Ti zbiralci odpadkov, v tem lokalna zbirna mesta, trgovine in občinske enote, tvorijo ustrezni sistem, ki omogoča sprejem te odrabljene opreme.

Ustrezno ravnanje z odpadno električno in elektronsko opremo pomaga preprečiti zdravju ljudi in stanju naravnega okolja škodljive posledice, izhajajoče iz prisotnosti v njej nevarnih sestavin in iz neustreznega skladiščenja in predelave take opreme.

ELEMENTI UPRAVLJANJA

Elementi upravljanja – eno in dve območji


Upravljalni panel je prikazan na sliki 4. Prikazan je tudi spodaj:

Eno območje



Dve območji



 – Gumb napajanja

 – Gumb osvetlitve

 – Gumb "+"

 – Gumb "-"

Vklop / izklop napajanja

Če želite vklopiti hladilnik za vino, pritisnite in držite gumb za vklop 1 sekundo.

Če želite izklopiti hladilnik za vino, pritisnite in držite gumb za vklop 5 sekund.

Sprememba temperature

- Pritiskajte gumb "+" ali "-", dokler se na zaslonu ne prikaže zelena temperatura.
- Prizveta nastavitve temperature je 12 °C / 54 °F.
- Če želite spremeniti temperaturno enoto s Fahrenheita v Celzije ali obratno, pritisnite in držite gumb za osvetlitev 5 sekund.
- Če želite preveriti nastavljeno temperaturo, kadar koli pritisnete tipko "+" ali "-" in nastavljena temperatura bo na LED zaslonu utripala 5 sekund.
- Ko je hladilnik za vino vklopljen, se na zaslonu prikaže trenutna temperatura v notranjosti.

Pozor: Temperatura v spodnjem območju mora biti enaka ali višja kot v zgornjem območju. Optimalno delovanje dosežemo, kadar se temperaturi v obeh območjih razlikujeta vsaj za 4 °C.

Izbor optimalne temperature

Najboljša temperatura za shranjevanje vina je 13-15°C, vino pa lahko shranjujete tudi pri temperaturi za serviranje. Za rdeče vino je to 15-17°C, a za belo vino pa 12-13°C.

Notranja osvetlitev

S pritiskom na gumb za osvetlitev vklopite ali izklopite osvetlitev.

Vlaga v notranjosti

Nekateri modeli hladilnikov za vino so opremljeni s sistemom za vzdrževanje optimalne vlage v hladilniku. Z vodo napolnite posodo sistema za vlago do 3/4 prostornine. Posodo postavite na tirnice na zgornji polici, kot je prikazano na sliki 2. Posodo pravilno namestite tako, da se voda ne razlije. Redno preverjajte nivo vode in jo v primeru, da je to potrebno, napolnite.

Ekran za temperaturo

Ekran za temperaturo kaže trenutno temperaturo v notranjosti.

Ekran utripa:

- Med nastavitvijo druge temperature
- Če je temperatura v notranjosti za +/- 5° višja ali nižja od nastavljene temperature.

To je opozorilo pred tem, da bi se vsebina hladilnika pokvarila, če temperatura preveč zraste.

Silent Mode (Tihi način)

Ko je dosežena zelena temperatura, naprava deluje brez delovanja ventilatorja.

Hladilnik za vino ima ta način privzeto nastavljen. Če želite spremeniti nastavev v dinamičen način hlajenja, pritisnite in držite gumb "-" približno 5 sekund ("-" na levi strani dvoobmočnih hladilnikov). Hladilnik za vino bo piskal petkrat, da bi potrdil, da je dinamično hlajenje vklopljeno.

Način dinamičnega hlajenja

Ventilator deluje izmenično in se izklopi, da ohrani kroženje zraka, tudi ko je dosežena zahtevana temperatura. To zagotavlja stalno in enakomerno vlago in temperaturo v hladilniku ter ustvarja idealne pogoje za dolgotrajno shranjevanje vina.

Dinamični način hlajenja poveča raven hrupa, ki ga oddaja med delovanjem.

Če želite spremeniti nastavev v tihi način, držite približno 5 sekund tipko "+" (levo v dvoobmočnih hladilnikih na levi strani). Hladilnik za vino bo trikrat zapiskal, da bo potrdil, da je vklopil utišanje.

Vikend način

V tem načinu se zaslon, notranja osvetlitev in zvočni signali izklopijo. Hlajenje se nenehno vzdržuje.

Če želite aktivirati vikend način, istočasno pritisnite in držite gumba za vklop in osvetlitev 5 sekund. Indikator začne utripati štirikrat in potrdi, da je način aktiviran. Način se samodejno izklopi po 48 urah; Če želite način kadar koli izklopiti, istočasno pritisnite in držite gumb za vklop in osvetlitev 5 sekund.

Temperaturni alarm

Če temperatura naraste ali pade pod določeno raven, se bo oglasil zvočni alarm in zaslon bo utripal. Razlog je lahko:

- Hladilnik še ni dosegel nastavitvene temperature (po prvem vklopu).
- Nastopil je premor v napajanju.
- Hladilnik za vino je prenapolnjen.
- Vrata niso pravilno zaprta.

ČIŠČENJE IN VZDRŽEVANJE

Pred čiščenjem in vzdrževanjem napravo izključite iz električnega omrežja.

Odstranjevanje polic

- Če želite odstraniti police iz hladilnika za vino, najprej odstranite vse steklenice, nato pa potegnite polico naprej, dokler se vdolbine na obeh straneh police ne poravnajo s plastičnimi jezički na obeh straneh predala (kot je prikazano na sliki 5). Nato dvignite polico navzgor in jo povlecite naprej.
- Za vstavljanje police se držite korakov v obratnem vrstnem redu.

Čiščenje

- Ne uporabljajte abrazivnih čistil ali detergentov. Po pranju temeljito sperite in posušite.
- Očistite ohišje naprave in tesnila vrat z vodo z blagim čistilnim sredstvom in jih po pranju temeljito posušite.
- Notranjost naprave očistite z raztopino sode v topli vodi.
- Police operite posebej s sredstvom za pomivanje. Ne dajajte polic v pomivalni stroj.
- Upravljalni panel obrišite z vlažno krpo in temeljito osušite, preden napravo priključite na električno omrežje.
- Po pranju priključite napravo na napajanje.
- Če naprave ne boste uporabljali dlje časa, jo izključite iz električnega omrežja in temeljito sperite. Vrata pustite odprta, da preprečite nastajanje vonjav ali kondenza.

REŠEVANJE PROBLEMOV

V primeru kakršnih koli težav pred klicem na servis preverite nasvete za samostojno odpravljanje težav, da se izognete nepotrebnim obiskom servisa in stroškom.

Če naprava ne deluje, je potrebno preveriti

- Če je napajanje priključeno na napravo
- Če varovalke ali odklopniki v hiši delujejo,
- Če vtičnica deluje. Če želite preveriti, ali vtičnica deluje, priključite drugo električno napravo.
- Temperatura okolice mora biti znotraj klimatskega razreda, za katerega je naprava prilagojena.

Če naprava deluje, vendar ne najboljše, preverite

- Da naprava ni preobremenjena.
- Če ste nastavili primerno temperaturo.
- Če so vrata pravilno zaprta.
- Ali se tesnilo na vratih dobro prilega
- Če je na straneh in na zadnji strani naprave dovolj prezračevanja.
- Temperatura okolice mora biti znotraj klimatskega razreda, za katerega je naprava prilagojena.

Če je naprava glasna, je treba preveriti

- Ali je naprava poravnana in stabilno stoji.
- Hladilni plin v sistemu povzroča hrup, tudi če kompresor ne deluje.
- Med delovanjem se lahko ventilator vrtil, tudi če kompresor ne deluje.

Če ne deluje osvetlitev, je treba preveriti

- Ali je napajanje priklopljeno na napravo.
- Varovalke ali odklopniki v domu delujejo.
- Gumb za osvetlitev ni v izključenem položaju.

Pozor:

LED osvetlitev mora servisirati serviser. Ne popravljajte osvetlitve brez ustreznega dovoljenja.

Če vrata niso pravilno zaprta, je potrebno preveriti

- Ali je naprava poravnana in stabilno stoji.
- Če so bila vrata odstranjena, morda niso bila pravilno nameščena.
- Ali je tesnilo na vratih umazano.
- Ali police niso pravilno vstavljene.

Ali na ekranu sveti "E1" ali "E2"

- Napaka senzorja za temperaturo. Potrebno je kontaktirati servis

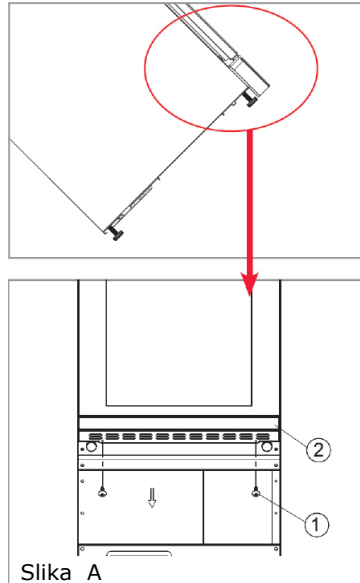
EPREL

Več informacij o izdelku se nahaja v Podatkovni Bazi EPREL na strani <https://eprel.ec.europa.eu>. Informacije lahko dobite s skeniranjem QR kode z energijske nalepke ali z vnosom modela izdelka z energijske nalepke v iskalnik EPREL <https://eprel.ec.europa.eu/>

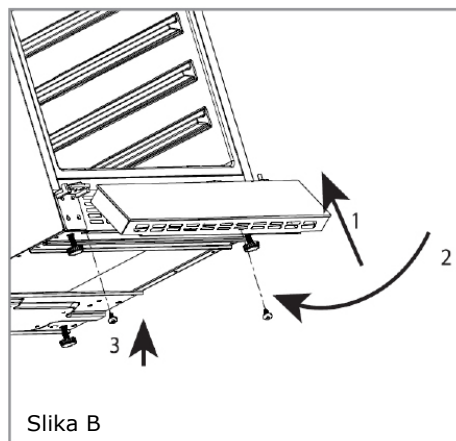
MONTAŽA PODSTAVKA

Montažo morata izvesti vsaj dve za to kvalificirani osebi. Površino pod vrati v času montaže zavarujte z brisačo ali kartonom. Med montažo naprave ne nagibajte več kot za 45°. Po nagibanju naprave počakajte minimalno 8 ur, po tem času pa lahko vklopitate napravo.

1. Odvijte vijake, ki pritrjujejo podstavek in spodnji nosilec (slika A).
2. Čepke v steklenem delu podstavka vstavite v luknje na vrhu kovinskega podstavka. Postavite podstavek tako, da se odprtine na notranjem robu dela podstavka s stekleno sprednjo stranjo poravnajo z odprtinami na kovinskem podstavku. Ponovno privijte vijake (2) (slika B)



Slika A



Slika B

GARANCIJA, POPRODAJNE STORITVE

Garancija

Garancijske storitve skladno z garancijskim listom. Proizvajalec ne odgovarja za morebitno škodo zaradi nepravilnega ravnanja z izdelkom.

Servis

- Proizvajalec izdelka priporoča, da vsa popravila in regulacijske dejavnosti izvaja tovarniški servis ali servis, ki je avtoriziran od proizvajalca. Zaradi varnostnih razlogov, naprave ne smemo popravljati sami.
- Popravila, ki jih izvajajo osebe, ki nimajo zahtevanih pooblastil, lahko predstavljajo resno nevarnost za uporabnike naprave.
- Minimalni obvezujoč garancijski rok za napravo, ki jo ponuja proizvajalec, uvoznik ali pooblaščen zastopnik, je naveden na garancijskem listu.
- Naprava izgubi garancijo zaradi nepooblaščenih adaptacij, predelav, poškodovane plombe ali drugih zaščitnih delov opreme ali njihovih delov, pa tudi zaradi drugih samovoljnih posegov v opremo, ki niso v skladu z navodili za uporabo.

Zahteva za popravilo in pomoč v primeru okvare

Če naprava potrebuje popravilo, je potrebno kontaktirati servis. Naslov servisa in telefonska številka za kontakt se nahajata na garancijskem listu. Preden kontaktirate servis, morate pripraviti serijsko številko naprave, ki je na tablici proizvajalca. Za lažjo uporabo ga zapišite spodaj:

--	--	--	--	--	--	--	--	--	--	--	--	--	--	--	--	--	--	--	--

Izjava proizvajalca

Proizvajalec s tem izjavlja, da ta izdelek izpolnjuje temeljne zahteve spodaj navedenih evropskih direktiv:

- **niskonapetostne direktive 2014/35/UE**
- **direktive o elektromagnetni združljivosti 2014/30/UE**
- **direktive o okoljsko primerni zasnovi 2009/125/ES**
- **direktive o RoHS 2011/65/ES**

in zato je bil izdelek označen z **CE** oz. je bila zanj izdana uredba o skladnosti, ki je na voljo organom, ki nadzorujejo trg.

Beste klant

Vanaf vandaag zijn de dagelijkse klusjes eenvoudiger dan ooit tevoren. Het apparaat **Amica** is een combinatie van uitzonderlijk bedieningsgemak en perfecte effectiviteit. Na het lezen van de gebruiksaanwijzing kent de bediening voor u geen geheimen meer.

Ieder apparaat dat de fabriek verlaat is vóór het inpakken op controleplekken grondig gecontroleerd op veiligheid en functionaliteit.

Wij vragen u deze gebruiksaanwijzing zorgvuldig door te lezen voordat u het apparaat inschakelt. Naleving van de aanwijzingen die erin zijn opgenomen beschermt u tegen onjuist gebruik. Bewaar de gebruiksaanwijzing en zorg dat u hem altijd binnen handbereik heeft.

Volg de gebruiksaanwijzing nauwkeurig op om ongevallen te voorkomen.

Hoogachtend

Amica

AANWIJZINGEN VOOR VEILIG GEBRUIK

- Het apparaat is uitsluitend bestemd voor huishoudelijk gebruik.
- De producent behoudt zich het recht voor om wijzigingen aan te brengen die het gebruik van het apparaat niet beïnvloeden.
- De producent is niet aansprakelijk voor schade die is veroorzaakt doordat de regels uit deze gebruiksaanwijzing niet zijn nageleefd.
- Bewaar deze gebruiksaanwijzing voor toekomstig gebruik of om door te geven aan een eventuele volgende gebruiker.
- Dit apparaat is niet bestemd voor gebruik door personen (waaronder kinderen) met lichamelijke of geestelijke beperkingen of personen zonder ervaring met of kennis van het apparaat, tenzij dit gebruik plaatsvindt onder toezicht of overeenkomstig de gebruiksaanwijzing van het apparaat, door personen die verantwoordelijk zijn voor hun veiligheid.
- Zorg ervoor dat u het apparaat niet door kinderen zonder toezicht kan worden gebruikt. Laat ze niet spelen met het apparaat. Ze mogen niet op de uittrekelementen zitten of aan de deur hangen.
- Het apparaat werkt correct bij de omgevingstemperatuur die op de productkaart is aangegeven. Gebruik het apparaat niet in een kelder, hal of onverwarmd zomerhuis in de herfst en winter.
- Wanneer u de koelkast plaatst, verschuift of optilt, grijp hem dan niet vast aan de deurgrepen, trek niet aan de condensator op de achterkant van de koelkast en raak de compressor niet aan.
- Haal de stekker uit het stopcontact voordat u begint met onderhoudshandelingen. Trek niet aan de kabel, maar aan de stekker zelf.
- Geluiden als klikken of kraken worden veroorzaakt door onderdelen die uitzetten en krimpen als gevolg van temperatuurveranderingen.
- Om veiligheidsredenen mag u het apparaat niet

zelf repareren. Reparaties die zijn uitgevoerd door personen die niet over de vereiste kwalificaties beschikken, kunnen een ernstig gevaar opleveren voor de gebruiker van het apparaat.

- Let op dat u het koelcircuit niet beschadigt, bijvoorbeeld door het doorprikken van de kanalen voor koelmiddel in de verdampers of het breken van de buizen. Ontsnappend koelmiddel is brandbaar. Bij contact met de ogen moet u ze uitspoelen met schoon water en onmiddellijk een arts raadplegen.
- Opgelet! Indien de vaste voedingskabel beschadigd raakt, dient deze bij de producent of een gespecialiseerde reparateur vervangen te worden of door een bevoegde persoon om gevaar te voorkomen.
- Koppel het apparaat volledig los van het lichtnet (door de stekker uit het stopcontact te trekken) tijdens werkzaamheden als schoonmaken, onderhoud of verplaatsen.
- Dit apparaat mag gebruikt worden door kinderen van 8 jaar en ouder, door personen met een lichamelijke, zintuiglijke of verstandelijke beperkingen en personen zonder ervaring of kennis van het apparaat wanneer op hen gelet wordt of ze geïnstrueerd zijn over het veilig gebruik van het apparaat en ze de gevaren kennen in verband met het gebruik van het apparaat. Kinderen mogen niet met het apparaat spelen. Reiniging en onderhoud mogen niet door kinderen gedaan worden tenzij ze 8 jaar of ouder zijn en er toezicht wordt gehouden door een geschikte persoon.
- Het apparaat mag niet gereinigd te worden met stoom
- Houd het apparaat en de kabel buiten bereik van kinderen jonger dan 8 jaar.
- Dompel de kabel of de stekker niet onder in water.
- Houd de aansluitkabel uit de buurt van hete oppervlakken.
- Laat de kabel niet over de tafelrand of rand van het werkblad hangen.
- Gebruik geen elektrische apparaten in de koelruimte
- Gebruik geen gereedschap om het ontdooien te versnellen

- Maak regelmatig de ventilatieopeningen van het apparaat schoon (voor inbouw- of onderbouwapparaten)
- Dit apparaat is niet ontworpen om te werken met elektronische timers of andere apparaten om de stroomtoevoer direct of op afstand af te sluiten.
- Als u per ongeluk vloeistof op elektrische componenten morst, moet u het apparaat onmiddellijk loskoppelen van het elektriciteitsnet.
- Zorg ervoor dat de voedingskabel niet wordt afgeknelnd of beschadigd tijdens de installatiewerkzaamheden.
- Maak het apparaat onbruikbaar voordat u het weggooit. Dit omvat het loskoppelen en afknippen van de voedingskabel. Verwijder deuren, scharnieren en sloten om te voorkomen dat kinderen of huisdieren opgesloten komen te zitten in het apparaat.
- Opgelet: Als het apparaat geen ruimte met  heeft, betekent dit dat dit koelapparaat niet geschikt is voor het invriezen van voedingsmiddelen.
- De minimumperiode waarin reserveonderdelen die nodig zijn om het apparaat te repareren beschikbaar blijven, bedraagt 7 of 10 jaar, afhankelijk van het type en het doel van het reserveonderdeel, en is in overeenstemming met Verordening (EU) 2019/2019 van de Commissie.
- De lijst met reserveonderdelen en de bestelprocedure zijn beschikbaar op de websites van de fabrikant, importeur of de officiële vertegenwoordiger.

INSTALLATIE EN WERKINGSVOORWAARDEN VAN HET APPARAAT

- Sluit het apparaat pas aan op de voeding 24 uur na het uitpakken en op de definitieve plaats zetten.
- Pak het product uit en verwijder het plakband waarmee de deuren en accessoires zijn vastgezet. Achtergebleven lijmresten kunt u met een mild schoonmaakmiddel verwijderen.
- Maak de binnenkant van de koelkast en de accessoires schoon met lauw water en een beetje afwasmiddel. Maak ze daarna droog.
- Plaats de koelkast op een vlakke, horizontale en stabiele ondergrond, in een droge en eventuele ruimte zonder direct zonlicht, uit de buurt van warmtebronnen zoals een fornuis, radiatoren, cv-leidingen, warmwaterinstallaties etc.
- Op de buitenoppervlakken van het product kan beschermende folie zitten.

- Deze moet u verwijderen.
- Zorg ervoor dat het product horizontaal staat door de 2 stelvoetjes in of uit te schroeven (Afb. 1).
- Houd de ruimte aan de zijkanten en achterkant van het toestel vrij (zie montage-tekening).
- Zorg ervoor dat bij installatie van het apparaat in een inbouwmeubel het ventilatierooster aan de onderkant van de koelkast niet wordt geblokkeerd.
- Na de eerste start van het apparaat kan er een specifieke geur vrijkomen. Deze verdwijnt als de binnenkant van het apparaat is afgekoeld.
- Bij de eerste start zal de compressor van het apparaat continu draaien totdat de gewenste temperatuur in de koelkast is bereikt.
- Na het loskoppelen van de voeding raden we aan het apparaat pas na ten minste 5 minuten opnieuw aan te sluiten. Dit vermindert het risico op beschadiging van de compressor.
- Bij bepaalde modellen wordt de juiste temperatuur pas een paar uur na het opstarten van de koelkast op de display weergegeven.
- Sluit het apparaat aan op wisselstroom van 220-240 V en 50 Hz via een juist geïnstalleerd stopcontact dat is geaard en beveiligd met een zekering van 10 A.
- Aarding van het apparaat is wettelijk verplicht. De fabrikant is niet aansprakelijk voor eventuele schade aan personen of voorwerpen als gevolg van het niet naleven van de verplichting die deze bepaling oplegt.
- Gebruik geen adapters, stekkerdozen (verdelers) of twee-aderige verlengsnoeren. Indien het noodzakelijk is een verlengsnoer te gebruiken, mag dit uitsluitend een verlengsnoer zijn met een beschermring, een enkel stopcontact en een VDE/GS-veiligheidsattest.
- Als u een verlengsnoer gebruikt (met beschermring en veiligheidskeurmerk), moet zijn stopcontact zich op veilige afstand van de gootsteen bevinden en mag het niet worden blootgesteld aan water of afvalwater.
- Zorg ervoor dat het apparaat makkelijk losgekoppeld kan worden van het elektriciteitsnetwerk door de stekker uit het stopcontact te trekken of de dipoolschakelaar uit te schakelen.

Klimaatklasse

Informatie over de klimaatklasse van het apparaat vindt u op het typeplaatje. Het geeft aan bij welke omgevingstemperatuur (nl. in de ruimte waarin het product werkt) het product optimaal (correct) presteert.

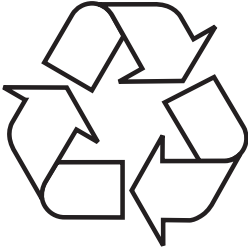
Klimaatklasse		Toelaatbare omgevingstemperatuur
SN	uitgebreid gematigd	Het koelapparaat is bestemd voor gebruik bij omgevingstemperaturen binnen een bereik van 10°C tot 32°C
N	gematigd	Het koelapparaat is bestemd voor gebruik bij omgevingstemperaturen binnen een bereik van 16°C tot 32°C
ST.	subtropisch	Het koelapparaat is bestemd voor gebruik bij omgevingstemperaturen binnen een bereik van 16°C tot 38°C
T	tropisch	Het koelapparaat is bestemd voor gebruik bij omgevingstemperaturen binnen een bereik van 16°C tot 43°C

PRAKTISCHE TIPS

- Als u het licht in het apparaat aan laat, zorgt dit ervoor dat de temperatuur in het apparaat hoger is.
- De binnentemperatuur hangt af van het aantal en het type van de opgeslagen wijnflessen.
- Om de veiligheid van de gebruiker en de hoge kwaliteit van de opgeslagen wijn te garanderen, mag u het apparaat niet in vochtige ruimten plaatsen.
- Bewaar de flessen wijn op de aangeduide plaatsen.
- De koelkast heeft een beperkte capaciteit, plaats niet meer flessen dan de aangegeven hoeveelheid (zie de productkaart).
- Open de deur van de koelkast niet, tenzij dit noodzakelijk is.
- Bedek de schappen niet met aluminiumfolie of enig ander materiaal. Dit blokkeert de luchtcirculatie in het apparaat.
- Om beschadiging van de deurdichting te voorkomen, moet u ervoor zorgen dat de deur volledig open staat voordat u een schap verwijderd. De schappen moeten zo ver mogelijk worden ingeschoven, anders kan het schap de dichting vervormen, waardoor hij volledig beschadigd kan raken.
- Trek beladen schappen niet verder uit dan de uittreklimiet (ongeveer 1/3 van de schaplengte).
- Dit apparaat is bestemd voor het bewaren van flessen wijn. Gebruik het niet voor andere doeleinden.
- Temperatuurstabiliteit is erg belangrijk bij het bewaren van wijn.
- Blootstelling van de koelkast aan zonlicht, grote temperatuurschommelingen, hoge vochtigheid en trillingen maken de wijn naar verwachting ongeschikt voor consumptie.
- Tijdens perioden met een hoge luchtvochtigheid kan zich condens vormen op de buitenoppervlakken van de glazen deur. Om dit te voorkomen, bevelen we aan om het apparaat in een droge, goed geventileerde ruimte te installeren.
- Bepaalde modellen zijn uitgerust met een externe handgreep die u zelf moet vastschroeven. Gebruik hiervoor geen elektrisch gereedschap (Afb. 3)*. Trek hiertoe de deurdichting voorzichtig opzij en plaats de schroeven aan de binnenkant van de deur. Lijn de handgreep uit met de gaten aan de buitenkant van de deur en draai de schroeven vast met een schroevendraaier. Plaats de deurdichting terug.
- De maximale capaciteit van het apparaat staat vermeld op de productkaart die is meegeleverd met de koelkast. Deze capaciteit geldt voor standaard Bordeaux-flessen van 0,75 l.
- Bepaalde modellen zijn uitgerust met een kantelbeveiliging. Installeer deze volgens het bijgevoegde schema. (Afb. 6)*.
- Dit koelapparaat is bedoeld voor gebruik als inbouwapparaat.
- Om voedingsmiddelen zo lang mogelijk te kunnen bewaren en verspilling te voorkomen, plaatst u de producten zoals weergegeven op Afb. 12. Bovendien toont deze afbeelding de verdeling van laden, manden en planken die zorgt voor het meest efficiënte energiegebruik van het koelapparaat.
- Het bewaren van voedingsmiddelen onder de juiste omstandigheden en bij de juiste temperatuur verlengt de houdbaarheid en optimaliseert het elektriciteitsverbruik. Het juiste temperatuurbereik moet op de verpakking of etiketten van voedselproducten zijn vermeld.

*Afhankelijk van het model

UITPAKKEN



Het apparaat is beveiligd tegen transportschade. Na het uitpakken moet het verpakkingsmateriaal zo verwerkt worden dat er geen risico voor het milieu ontstaat.

Al het materiaal dat voor de verpakking is gebruikt is milieuvriendelijk, het kan voor 100% hergebruikt worden en het is gelabeld met het bijbehorende symbool.

Attentie! Het verpakkingsmateriaal (polyethyleenzakjes, stukken polystyreen etc.) bij het uitpakken buiten het bereik van kinderen houden.

VERWIJDERING VAN GEBRUIKTE APPARATUUR



Dit product is overeenkomstig met de Europese richtlijn 2012/19/EG. Dit merkteken informeert dat dit apparaat na afloop van zijn levensduur niet samen met ander huishoudelijk afval verwijderd mag worden.

De gebruiker is verplicht om het aan te bieden bij een inzamelpunt voor gebruikte elektrische en elektronische apparatuur. De inzamelende instanties, waaronder lokale inzamelpunten, winkels en gemeentelijke instanties vormen een geschikt systeem voor de inzameling van deze apparatuur.

De juiste behandeling van gebruikte elektrische en elektronische apparatuur leidt tot het vermijden van consequenties die schadelijk zijn voor de menselijke gezondheid en de natuurlijke omgeving en voortkomen uit de aanwezigheid van gevaarlijke bestanddelen en verkeerde opslag en verwerking van dergelijke apparatuur.

BEDIENINGSELEMENTEN

Bedieningselementen - één en twee zones





Het bedieningspaneel wordt getoond op afbeelding 4. Hieronder is ook weergegeven:

Één zone



Twee zones



-  – Aan/uit-knop
-  – Verlichtingsknop
-  – Knop "+"
-  – Knop "-"

Inschakelen/Uitschakelen voeding

Om de wijnkoelkast in te schakelen houdt u de aan/uit-knop gedurende 1 seconde ingedrukt.

Om de wijnkoelkast uit te schakelen houdt u de aan/uit-knop gedurende 5 seconde ingedrukt.

Opgelet: Kunt u het apparaat volledig uitschakelen door de stekker uit het stopcontact te trekken.

Temperatuurwijziging

- Druk op de knop "+" of "-" om de gewenste temperatuur te tonen op de display.
- De standaard temperatuurinstelling is 12°C / 54°F (voor modellen met één zone)
- Betreft modellen met twee zones: Voor de bovenste/linker zone is de standaard temperatuurinstelling 8°C / 46°F, en voor de onderste/rechter zone is de standaard temperatuurinstelling 12°C / 54°F.
- Om de ingestelde temperatuur te controleren, drukt u een willekeurig moment op de knop "+" of "-"; de ingestelde temperatuur knippert gedurende 5 seconden op de led-display.
- Als de wijnkoelkast is ingeschakeld, toont de display de actuele binnentemperatuur.

Opgelet: De temperatuur in de onderste zone moet gelijk aan of hoger worden ingesteld dan de temperatuur in de bovenste zone. Het temperatuurverschil in beide compartimenten van de koelkast mag de 4 °C niet overschrijden.

De optimale temperatuur kiezen

De beste bewaar temperatuur voor wijn is 13-15 °C, maar wijn kan ook op serveertemperatuur worden bewaard. Voor rode wijn is dit 15-17 °C en voor witte wijn 12-13 °C.

Binnenverlichting

U kunt het licht aan- en uitzetten door op de lichtknop te drukken.

Interne luchtvochtigheid

Sommige modellen wijnkoelkasten zijn uitgerust met een systeem om een optimale luchtvochtigheid in de koelkast in stand te houden. Vul de container van het vochtigheidssysteem tot 3/4 van het volume met water. Plaats de container op de rails op het bovenste schap zoals getoond op Afb. 2. Plaats de container op de juiste manier om morsen van water te voorkomen. Controleer het waterpeil regelmatig en vul zo nodig bij.

Temperatuurdisplay





De temperatuurdisplay toont de actuele binnentemperatuur.

De display knippert:





- Tijdens het instellen van een andere temperatuur
- Als de binnentemperatuur +/- 5 °C afwijkt van de ingestelde temperatuur.

Dit dient als waarschuwing tegen beschadiging van de inhoud van de koelkast als de temperatuur te hoog oploopt.

Silent Mode (Stille modus)

Raak de tiptoets  gedurende 5 seconden aan en raak vervolgens de tiptoets  driemaal aan. Gebruik nu de tiptoetsen  en  om de stille modus (F0) in te stellen. Zodra de gewenste temperatuur is bereikt, werkt het toestel zonder ventilator. Standaard werkt de wijnkoelkast in deze modus.

Modus dynamische koeling

Raak de tiptoets  gedurende 5 seconden aan en raak vervolgens de tiptoets  driemaal aan. Gebruik nu de tiptoetsen  en  om de dynamische modus (F1 - Helft van de tijd, F2 - Altijd) in te stellen. De ventilator schakelt afwisselend in en uit om de luchtcirculatie in stand te houden, zelfs wanneer de gewenste temperatuur is bereikt. Dit zorgt voor een constante en gelijkmatige vochtigheid en temperatuur in de koelkast en creëert ideale omstandigheden voor het langdurig bewaren van wijn.

Weekendmodus

In deze modus zijn de display, de binnenverlichting en de geluidssignalen uitgeschakeld. De koeling wordt uiteraard constant gehandhaafd. Om de weekendmodus in te schakelen raakt u de aan/uit-knop en de verlichtingsknop gedurende 5 seconden tegelijkertijd aan. De indicator knippert vier keer en bevestigt de inschakeling van deze modus. De weekendmodus schakelt na 48 uur automatisch uit; om hem op een willekeurig moment uit te schakelen raakt u de aan/uit-knop en de verlichtingsknop gedurende 5 seconden tegelijkertijd aan.

Temperatuuralarm

Als de temperatuur stijgt of daalt onder een bepaald bereik, klinkt een geluidsalarm en knippert de display. Mogelijke oorzaken:

- De koelkast heeft de ingestelde temperatuur nog niet bereikt (na de eerste inschakeling).
- De stroomvoorziening onderbroken.
- De wijnkoelkast is overladen.
- De deur zit niet goed dicht.

REINIGING EN ONDERHOUD

Koppel het apparaat los van het elektriciteitsnet voordat u begint met schoonmaken of onderhoud.

Uitnemen van de schappen

- Om de schappen uit de wijnkoelkast te verwijderen, verwijdert u eerst alle flessen en trekt u het schap naar voren totdat de inkepingen aan beide zijden van het schap uitgelijnd zijn met de plastic lipjes aan beide zijden van de koelruimte (zoals getoond op Afb. 5). Til vervolgens het schap op en trek het naar voren uit de koelkast.
- Ga in omgekeerde volgorde te werk om het schap in de koelkast te plaatsen.

Reiniging

- Gebruik geen schurende schoonmaakmiddelen of detergenten. Na het wassen grondig afspoelen en drogen.
- Maak de behuizing van het apparaat en de deurdichtingen schoon met water en een mild schoonmaakmiddel, droog ze daarna goed af.
- Maak de binnenkant van het apparaat schoon met een oplossing van soda in warm water.
- Maak de schappen apart schoon met water en schoonmaakmiddel. Was de schappen niet af in de vaatwasmachine.
- Veeg het bedieningspaneel af met een vochtige doek en droog het goed af voordat u het apparaat weer op het elektriciteitsnet aansluit.
- Sluit na het schoonmaken het apparaat weer aan op het elektriciteitsnet.
- Als het apparaat gedurende lange tijd niet zal worden gebruikt, haal dan de stekker uit het stopcontact en maak het apparaat grondig schoon. Laat de deur op een kier staan om geurvorming en condensatie te voorkomen.

HET OPLOSSEN VAN PROBLEMEN

Controleer in geval van problemen eerst de tips voor het oplossen van problemen voordat u de servicedienst belt, zodat u onnodige bezoeken van de servicedienst en kosten voorkomt.

Als het apparaat niet werkt, controleert u het volgende:

- Is het apparaat aangesloten op het elektriciteitsnet?
- Werken de zekeringen of stroomonderbrekers in uw huis nog goed?
- Functioneert het stopcontact? Sluit andere elektrische apparaten aan om te controleren of het stopcontact nog functioneert.
- De omgevingstemperatuur moet vallen binnen de klimaatklasse waarvoor het apparaat is ontworpen.

Als het apparaat niet goed werkt, controleert u het volgende:

- Is het apparaat niet overbelast?
- Is er wel de juiste temperatuur ingesteld?
- Is de deur goed gesloten?
- Sluit de deurdichting goed aan?
- Is de ventilatie aan de zijkanten en de achterkant wel voldoende?
- De omgevingstemperatuur moet vallen binnen de klimaatklasse waarvoor het apparaat is ontworpen.

Als het apparaat herrie maakt, controleert u het volgende:

- Staat het apparaat waterpas en stabiel?
- Het koelgas in het systeem maakt geluid, zelfs als de compressor niet werkt.
- Tijdens de werking van het apparaat kan de ventilator draaien, zelfs als de compressor niet werkt.

Als de verlichting niet werkt, controleert u het volgende:

- Is het apparaat aangesloten op het elektriciteitsnet?
- Werken de zekeringen of stroomonderbrekers in uw huis nog goed?
- Staat de lichtknop niet in de uit-stand?

Opgelet:

Ledverlichting moet worden onderhouden door een technicus. Repareer de verlichting niet zonder de juiste bevoegdheid.

Als de deur niet goed sluit, controleert u het volgende:

- Staat het apparaat waterpas en stabiel?
- Als de deur eerder verwijderd is, kan het zijn dat hij niet correct is gemonteerd.
- De deurdichting is vuil.
- De schappen zijn niet correct geplaatst.

Als op de display "E1" of "E2" brandt

- Beschadiging van de temperatuurvoeler. Neem contact op met de servicedienst.

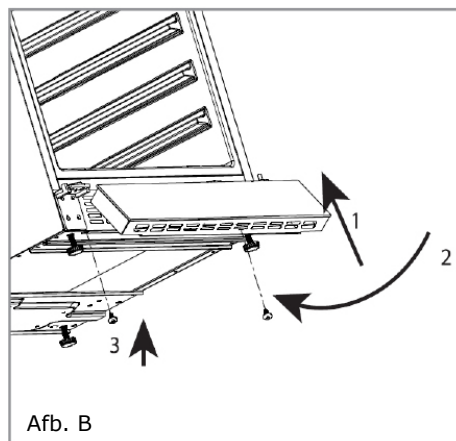
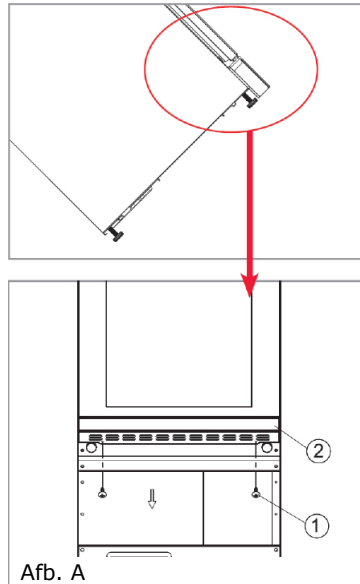
EPREL

Meer informatie over het product vindt u in de Europese productdatabase voor energie-etikettering EPREL op de website <https://eprel.ec.europa.eu>. U kunt de informatie verkrijgen door de QR-code op het energie-etiket te scannen of door het productmodel in te voeren in de zoekmachine van EPREL <https://eprel.ec.europa.eu/>

MONTAGE VAN DE SOKKEL

De installatie moet worden uitgevoerd door ten minste twee gekwalificeerde personen. Bescherm tijdens de installatie het oppervlak onder de deur met een handdoek of een stuk karton. Kantel het apparaat tijdens de installatie niet onder een hoek die groter is dan 45°. Wacht na het kantelen van het apparaat minimaal 8 uur, daarna kunt u het apparaat inschakelen.

1. Verwijder de schroeven waarmee de sokkel en de onderste steun vastzitten (Afb. A).
2. Steek de klemmen in het glazen gedeelte van de sokkel in de gaten in het bovenste gedeelte van de metalen sokkel. Plaats de sokkel zodanig dat de gaten in de binnenrand van het sokkelgedeelte met het glazen front uitgelijnd zijn met de gaten in de metalen sokkel. Draai de schroeven opnieuw aan (2) (Afb. B)



GARANTIE, SERVICE

Garantie

De garantieverplichtingen blijken uit het garantiebewijs. De producent is niet aansprakelijk voor schade die is veroorzaakt door oneigenlijk gebruik van het product.

Service

- De producent van het apparaat raadt aan om alle reparaties en afstelwerkzaamheden uit te laten voeren door de fabrieksservice of de geautoriseerde service van de producent. Om veiligheidsredenen mag u het apparaat niet zelf repareren.
- Reparaties die zijn uitgevoerd door personen die niet over de vereiste kwalificaties beschikken, kunnen een ernstig gevaar opleveren voor de gebruiker van het apparaat.
- De minimale garantieperiode voor het apparaat die door de fabrikant, importeur of gevolmachtigde wordt aangeboden, staat vermeld op het garantiebewijs.
- Het apparaat verliest zijn garantie als gevolg van eigenhandige aanpassingen, wijzigingen, schending van de verzegeling of andere beveiligingen van het apparaat of onderdelen daarvan, en andere eigenhandige interventie in de apparatuur die niet in overeenstemming is met de gebruiksaanwijzing.

Reparatiemelding en assistentie bij storingen


Als het apparaat gerepareerd moet worden, moet u contact opnemen met de klantenservice. De adresgegevens en het telefoonnummer van de klantenservice vindt u op het garantiebewijs. Als u contact opneemt, zorg er dan voor dat u het serienummer van het apparaat bij de hand heeft, dit staat op het typeplaatje. Voor uw gemak kunt u het hieronder noteren:

--	--	--	--	--	--	--	--	--	--	--	--	--	--	--	--

Verklaring van de producent

Hierbij verklaart de producent, dat het product aan de eisen van de onderstaande Europese richtlijnen voldoet:

- **Laagspanningsrichtlijn 2014/35/EC**
- **Richtlijn elektromagnetische compatibiliteit 2014/30/EC**
- **Richtlijn 2009/125/EC**
- **Richtlijn RoHS 2011/65/EC**

en over de certificering  en de conformiteitsverklaring voor organen die toezicht op de markt houden beschikt.

Vážený kliente,

počínaje dnešním dnem jsou každodenní povinnosti jednodušší než kdykoli jindy. Zařízení **Amica** je spojením výjimečně snadné obsluhy a vynikající efektivity. Po přečtení návodu nebudete mít problém s obsluhou.

Zařízení, které opustilo továrnu, bylo důkladně zkontrolováno před zabalením z hlediska bezpečnosti a funkčnosti na kontrolních stanovištích.

Před uvedením zařízení do provozu si pozorně přečtěte návod k obsluze. Dodržováním pokynů uvedených v návodu předejdete nesprávnému používání. Návod si ponechte a uschovejte tak, abyste jej měli vždy při ruce.

Dodržujte přesně návod k obsluze, abyste zabránili nešťastným událostem.

S úctou

Amica

POKYNY TÝKAJÍCÍ SE BEZPEČNOSTI POUŽÍVÁNÍ

- POKYNY TÝKAJÍCÍ SE BEZPEČNOSTI POUŽÍVÁNÍ
- Příklad je určen výhradně pro domácí použití.
- Výrobce si vyhrazuje možnost provádění změn neovlivňujících fungování spotřebiče.
- Výrobce nenes odpovědnost za škody vzniklé nedodržením zásad obsažených v tomto návodu.
- Prosíme o uschování tohoto návodu za účelem jeho využití v budoucnu nebo předání eventuálnímu dalšímu uživateli.
- Tento spotřebič není určen k používání osobami (včetně dětí) s omezenou schopností fyzickou, citovou nebo psychickou a také osobami, které jsou nezkušené a neznalé spotřebiče, ledaže to probíhá pod dohledem nebo podle návodu k obsluze spotřebiče, poskytnutého osobami odpovídajícími za jejich bezpečnost.
- Je třeba věnovat zvláštní pozornost tomu, aby spotřebič nepoužívaly děti ponechané bez dohledu. Je třeba jim zakázat hrát si se spotřebičem. Není jim dovoleno sedat si na výsuvné součásti a zavěšovat se na dveře.
- Chladnička funguje správně v okolní teplotě, která je uvedena v tabulce s technickou specifikací. Nepoužívejte ji ve sklepě, síni, a v neohřívané chatě na podzim i v zimě.
- Během umístování, přesouvání, zvedání se nemá chytat za madla dveří, tahat za odpařovací kondenzátor na zadní straně chladničky a také dotýkat kompresorové jednotky.
- Před každou údržbovou činností je třeba vytáhnout zástrčku ze síťové zásuvky. Nemá se tahat za kabel, ale chytat za kostru zástrčky.
- Slyšitelné zvuky jako bubláni nebo praskání jsou

způsobeny roztahováním a smršťováním součástí v důsledku teplotních změn.

- S ohledem na bezpečnost se spotřebič nemá opravovat svépomocí. Opravy prováděné osobami, které nemají požadované kvalifikace, mohou vytvořit vážné nebezpečí pro uživatele spotřebiče
- Je třeba dávat pozor, aby nedošlo k poškození chladicího okruhu, např. napíchnutí kanálků kondenzátu na výparníku, zalomení trubek. Vstříkované chladicí médium je hořlavé. V případě vniknutí do očí je třeba vypláchnout je vodou a ihned přivolat lékaře.
- Pozor! Jestliže neodlučitelný napájecí vodič bude poškozený, musí být vyměněný u výrobce anebo ve specializovaném opravárenském podniku, anebo kvalifikovanou osobou aby nedošlo k ohrožení zdraví anebo požáru.
- Spotřebič úplně odpojte od napájení (vytáhnutím zástrčky ze síťové zásuvky) v případě provádění takových činností, jakými jsou čištění, údržba anebo změna místa ustavení
- To zařízení může být používané dětmi ve věku 8 let a staršími, osoby s omezenými fyzickými anebo mentálními schopnostmi, jak rovněž osoby bez zkušenosti a bez znalosti zařízení mohou konvici používat, pokud jsou dozorované anebo byly instruované ohledně obsluhy zařízení bezpečným způsobem a znají ohrožení spojené s používáním zařízení. Děti si nemohou se zařízením hrát. Čištění a konzervace zařízení nemůže být vykonávaná dětmi, ledaže skončily 8 let a mají dohled zodpovědné osoby.
- Spotřebič nečistěte párou
- Přechovávejte spotřebič a jeho připojovací kabel v bezpečné vzdálenosti od dětí mladších 8 let.
- Neponořujte připojovací vodič ani zástrčku do vody.

- Udržujte vodič v bezpečné vzdálenosti od ohřívacích povrchů.
- Nepřipusťte, aby připojovací kabel visel na hraně stolu anebo desky.
- Uvnitř komory nepoužívejte elektrická zařízení.
- K urychlení procesu odmrazení nepoužívejte nářadí.
- Čistěte pravidelně větrací otvory zařízení (v případě zařízení pro vestavění nebo zabudování).
- Toto zařízení není navrženo pro provoz s elektronickými časovými programátory a jinými zařízeními pro přímé nebo dálkové vypnutí napájení.
- V případě náhodného rozlití tekutiny na elektrické součásti ihned odpojte zařízení od napájení.
- Ujistěte se, že při montáži nebyl napájecí kabel přimáčknut nebo poškozen.
- Zařízení před likvidací učiňte nepoužitelným. Týká se to odpojení od napájení a odříznutí napájecího kabelu. Odmontujte dvířka, závěsy a zámky, aby se v zařízení nemohly zavřít děti nebo zvířata.
- Upozornění: Nemá-li zařízení mrazicí prostor **❄️❄️❄️**, znamená to, že není vhodné ke zmrazování potravin.
- Minimální období, v němž jsou dostupné náhradní díly potřebné na opravu spotřebiče, činí 7 nebo 10 let podle druhu a určení náhradního dílu a je v souladu s Nařízením komise (EU) 2019/2019.
- Seznam náhradních dílů a procedura objednávání jsou k dispozici na webových stránkách výrobce, dovozce nebo oprávněného zástupce.

INSTALACE A PROVOZNÍ PODMÍNKY SPOTŘEBIČE

- Zařízení připojte k napájení po 24 hodinách po vybalení a postavení na místo používání.
- Výrobek je třeba rozbalit, odstranit lepicí pásky zajišťující dveře a vybavení. Eventuální zbytky lepidla je možno odstranit jemným čisticím prostředkem.
- Vnitřní prostor spotřebiče a také součásti vybavení je třeba vymýt

- vlažnou vodou s přídavkem.
- Chladničku je třeba umístit na rovný, vodorovný a stabilní podklad, do suché, větrané místnosti, kde nesvítí slunce, v povzdálí od tepelných zdrojů takových jako kuchyň, radiátor ústředního topení, trubka ústředního topení, rozvod teplé vody atp.
- Na vnějším povrchu výrobku se může nacházet ochranná folie, kterou je zapotřebí odstranit.
- Vodorovné ustavení spotřebiče je třeba upravit zašroubováním 2 nastavitelných předních nožek (obr. 1)
- Nechte volný prostor na obou stranách zařízení a vzadu (viz montážní nákres)
- Ujistěte se, že zabudování chladničky do nábytku nezakryje větrací mřížku umístěnou ve spodní části chladničky.
- Po uvedení zařízení do provozu se může objevit specifický zápach. Zápach zmizí, když se vnitřek zařízení lehce ochladí.
- Po uvedení zařízení do provozu bude kompresor zařízení nepřetržitě pracovat do okamžiku dosažení zadané teploty uvnitř chladničky.
- Chladničku po odpojení od napájení opět připojte asi po 5 minutách. Sníží to riziko poškození kompresoru.
- U vybraných modelů se na displeji zobrazí správná teplota teprve po uplynutí několika hodin od uvedení chladničky do provozu.
- Spotřebič je třeba připojit k síti střídavého proudu 220-240V/ 50Hz- správně zapojenou elektrickou zásuvkou s uzemněním a jištěnou 10 A pojistkou.
- Uzemnění spotřebiče je vyžadováno právními předpisy. Výrobce se zříká jakékoliv odpovědnosti z titulu eventuálních škod, které mohou utrpět osoby nebo předměty v důsledku nesplnění povinností stanovených tímto předpisem.
- Nesmí se používat spojovací články, několikanásobné zásuvky (rozváděče), dvoužilové prodlužovací kabely. Pokud je nutné použití prodlužovacího kabelu, může to být pouze prodlužovací kabel s ochranným kolíkem, jednozásuvkový, který má bezpečnostní atest VDE/GS.
- Pokud bude použit prodlužovací kabel (s ochranným kolíkem, který má bezpečnostní značku), pak jeho zásuvka musí být umístěna v bezpečné vzdálenosti od dřezu a nemůže být vystavena na zalití vodou a různými odpady.
- Je třeba zajistit možnost odpojení spotřebiče od elektrické sítě vytažením zástrčky nebo vypnutím dvojpólového vypínače.

KLIMATICKÁ TŘÍDA

Informace o klimatické třídě spotřebiče se nachází na výkonovém štítku. Štítek stanoví, při jaké okolní teplotě (tj. místnosti, ve které pracuje) spotřebič funguje optimálně (správně).

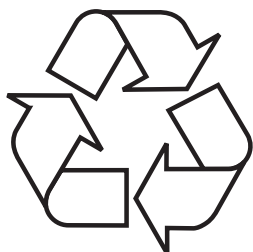
Klimatická třída:		Přípustná okolní teplota
SN	subnormální	Chladicí zařízení je určeno k provozu v teplotě okolí v rozsahu 10 °C až 32 °C
N	normální	Chladicí zařízení je určeno k provozu v teplotě okolí v rozsahu 16 °C až 32 °C
ST	subtropická	Chladicí zařízení je určeno k provozu v teplotě okolí v rozsahu 16 °C až 38 °C
T	tropická	Chladicí zařízení je určeno k provozu v teplotě okolí v rozsahu 16 °C až 43 °C

PRAKTICKÉ RADY

- Pokud v chladničce zapnete světlo, bude vnitřní teplota vyšší.
- Vnitřní teplota závisí na počtu a druhu uchovávaných lahví s vínem.
- Zařízení nestavějte do vlhkých prostor, aby byla zajištěna vaše bezpečnost a vysoká kvalita uchovávaného vína.
- Lahve s vínem uchovávejte na označených místech.
- Chladnička má omezenou kapacitu, nekládejte více lahví než stanovený počet (viz technický list).
- Neotevírejte dveře chladničky častěji, než je to nutné.
- Police nezakryvejte hliníkovou fólií nebo jiným materiálem. Brání to cirkulaci vzduchu uvnitř zařízení.
- Abyste nepoškodili dvířní těsnění, ujistěte se před vytažením police, že dvířka jsou úplně otevřená. Police zasuněte na doraz, jinak může police deformovat těsnění a zcela jej poškodit.
- Nevytahujte naplněné police mimo dosah výsuvu (asi 1/3 délky police).
- Toto zařízení je navrženo pro uchovávaní lahví s vínem, nepoužívejte jej pro jiné účely.
- Stabilní teplota má velmi velký význam pro uchovávaní vína.
- Přímé sluneční záření, velké tepelné výkyvy, vysoká vlhkost a také vibrace mohou způsobit, že víno nebude vhodné k pití.
- Při vysoké vlhkosti se na vnějším povrchu skleněných dvířek může srážet vodní pára. Abyste tomu zabránili, umístěte zařízení v suché, dobře větrané místnosti.
- Vybrané modely mají vnější úchyt, přišroubujte jej sami. Nepoužívejte k tomu elektrické nářadí (obr. 3). Postup: odtáhněte zlehka těsnění dvířek na bok a vložte šrouby na vnitřní straně dvířek. Vyrovnějte úchyt s otvory na vnější straně dvířek a šroubovákem šrouby dotáhněte. Znovu nasadte těsnění dvířek.
- Maximální kapacita chladničky je uvedena v technickém listu zařízení přiloženém k chladničce. Tato kapacita vychází ze standardních Bordeaux lahví 0,75 l.
- Vybrané modely chladničky mají pojistku proti převrácení. Namontujte ji podle přiloženého schématu (obr. 6*).
- Toto chladicí zařízení je určeno k provozu jako vestavné.
- Aby se dosáhlo co nejlepší konzervace potravin po co nejdelší dobu a předešlo se tak plýtvání jimi, je třeba rozmístit potraviny tak, jak je ukázáno na obr. č. 12. Tento obrázek navíc ukazuje uspořádání zásuvek, košíků a policek, které chladicímu zařízení dovoluje využít energii co nejúčinněji.
- Uchovávaní potravin ve vhodných podmínkách a teplotě prodlouží jejich trvanlivost a optimalizuje se tak i spotřeba elektrické energie. Rozsah vhodných teplot by se měl nacházet na obalech nebo štítcích potravin.

*Vyskytuje se v závislosti od modelu

VYBALENÍ



Zařízení bylo po dobu přepravy zabezpečeno proti poškození. Po vybalení zařízení odstraňte části obalu způsobem, který neohrožuje životní prostředí.

Všechny materiály použité na obal jsou stoprocentně neškodné pro životní prostředí a jsou vhodné pro zpětné získání a byly označeny příslušným symbolem.

Upozornění! Obalové materiály (polyetylenové sáčky, pěnový polystyren apod.) nenechávejte při vybalování v dosahu dětí.

LIKVIDACE OPOTŘEBOVANÝCH ZAŘÍZENÍ



Toto zařízení je označeno v souladu s evropskou směrnicí 2012/19/ES. Takové označení znamená, že toto zařízení se po ukončení životnosti nesmí vyhazovat společně s jiným domácím odpadem.

Uživatel je povinen odevzdat jej do sběrný použitých elektrických a elektronických zařízení. Provádějící sběr, včetně místních sběrů, obchodů a obecních úřadů, tvoří systém umožňující odevzdávání těchto zařízení.

Příslušné nakládání s použitými elektrickými a elektronickými zařízeními zabráňuje negativním následkům pro lidské zdraví a životní prostředí, vznikajícím z přítomnosti nebezpečných složek a nesprávného skladování a zužitkování takových zařízení.

OVLÁDACÍ PRVKY

Ovládací prvky – jedna a dvě zóny





Ovládací panel je znázorněn na obr. 4. Je znázorněn také níže:

Jedna zóna



Dvě zóny



-  – Tlačítko napájení:
-  – Tlačítko osvětlení
-  – Tlačítko “+”
-  – Tlačítko “-”

Zapnutí/vypnutí napájení

Chcete-li chladničku na víno zapnout, stiskněte a přidržte tlačítko napájení na 1 sekundu.

Chcete-li chladničku na víno vypnout, stiskněte a přidržte tlačítko napájení na 5 sekund.

Změna teploty

- Stlačujte tlačítko “+” nebo “-”, až se na displeji zobrazí příslušná teplota.
- Implicitní nastavení teploty je 12 °C / 54 °F.
- Abyste změnili jednotku teploty ze stupňů Fahrenheitů na stupně Celсія nebo opačně, stiskněte a přidržte tlačítko osvětlení na 5 sekund.
- Abyste zkontrolovali nastavenou teplotu, stiskněte kdykoli tlačítko “+” nebo “-” a nastavená teplota bude blikat na LED displeji po dobu 5 sekund.
- Když je chladnička na víno zapnutá, na displeji se zobrazuje aktuální vnitřní teplota.

Upozornění: Nastavení teploty ve spodní zóně musí být vždy stejné nebo vyšší než v horní zóně. Optimálního provozu je dosaženo, když se teploty v obou zónách liší alespoň o 4 °C.

Výběr optimální teploty

Nejlepší teplota uchovávání vína je 13–15 °C, ale víno můžete uchovávat také při teplotě podávání. Pro červené víno je to 15–17 °C a pro bílé víno 12–13 °C.

Vnitřní osvětlení

Stisknutím tlačítka můžete zapnout a vypnout světlo.

Vnitřní vlhkost

Některé modely chladniček na víno jsou vybaveny systémem udržování optimální vlhkosti v chladničce. Nádobku systému vlhkosti naplňte do 3/4 objemu vodou. Nádobku umístěte na kolejničky horní police, jak je znázorněno na obr. 2. Nádobku postavte dobře, aby se voda nerozlila. Pravidelně kontrolujte hladinu vody a bude-li třeba, doplňte ji.

Displej teploty

Displej teploty zobrazuje aktuální vnitřní teplotu.

Displej bliká:

- Při nastavování jiné teploty
- Pokud se vnitřní teplota liší o +/- 5 °C od nastavené teploty.

Je to výstraha před poškozením obsahu chladničky, pokud se teplota příliš zvýší.

Tichý režim

Po dosažení požadované teploty zařízení funguje bez ventilátoru.

Chladnička na víno má implicitně nastavený tichý režim. Abyste změнили nastavení na režim dynamického chlazení, stiskněte a přidržte tlačítko “-” asi na 5 sekund (tlačítko “-” na levé straně ve dvouzónových chladničkách). Chladnička na víno vydá 5 pípnutí jako potvrzení zapnutí dynamického chlazení.

Režim dynamického chlazení

Ventilátor pracuje ve střídavém cyklu a vypíná se, aby udržel cirkulaci vzduchu dokonce i tehdy, když bude dosaženo požadované teploty. Zajišťuje to stálou a rovnoměrnou vlhkost a teplotu v chladničce a vytváří ideální podmínky pro dlouhodobé uchovávání.

Režim dynamického chlazení zvyšuje hluk během provozu zařízení.

Abyste změнили nastavení na tichý režim, stiskněte a přidržte tlačítko “+” asi na 5 sekund (tlačítko “+” na levé straně ve dvouzónových chladničkách). Chladnička na víno vydá tři pípnutí jako potvrzení zapnutí úspory.

Víkendový režim

V tomto režimu se vypne displej, vnitřní osvětlení a zvukové signály. Chlazení je stále udržováno. Chcete-li zapnout Víkendový režim, současně stiskněte a přidržte tlačítka napájení a osvětlení na 5 sekund. Kontrolka blikne čtyřikrát a bude indikovat zapnutí režimu. Režim se automaticky vypne po 48 hodinách; abyste mohli režim vypnout kdykoli, stiskněte a přidržte tlačítka napájení a osvětlení na 5 sekund.

Teplotní alarm

Pokud teplota vzroste nebo klesne pod stanovený rozsah, zazní zvukový signál a displej začne blikat. Příčinou může být:

- Chladnička nedosáhla ještě nastavené teploty (po prvním zapnutí).
- Nastal výpadek napájení.
- Chladnička na víno je přehřátá.
- Dvířka nejsou dobře zavřená.

ČIŠTĚNÍ A ÚDRŽBA

Před čištěním a údržbou vždy odpojte zařízení od napájení.

Vytahování polic

- Abyste mohli vytáhnout police z chladničky na víno, nejprve vyjměte všechny láhve a pak potáhněte polici k sobě, až se výřezy na obou stranách police srovnají s plastovými výčnělky na obou stranách komory (jak je znázorněno na obr. 5). Pak polici nadzvedněte a vytáhněte k sobě.
- Abyste polici vložili zpět, postupujte v opačném pořadí.

Čištění

- Nepoužívejte brusné čisticí prostředky a detergenty. Po vyčištění opláchněte a důkladně osušte.
- Plášť zařízení a dveřní těsnění čistěte vodou a jemným čisticím přípravkem, po vyčištění důkladně osušte.
- Vnitřek zařízení čistěte roztokem sody a teplé vody.
- Police čistěte zvlášť vodou a mycím prostředkem. Police nemyjte v myčce.
- Ovládací panel a elektrické části otřete vlhkým hadříkem a před připojením zařízení k napájení důkladně osušte.
- Po vyčištění připojte zařízení k napájení.
- Pokud zařízení nebudete používat delší dobu, odpojte jej od napájení a důkladně vyčistěte. Dvířka nechte pootvřená, abyste zabránili vzniku zápachu nebo srážení vody.

ŘEŠENÍ PROBLÉMŮ

V případě jakýchkoli problémů přečtěte si před zavoláním servisu pokyny pro svépomocné odstranění poruch, abyste zabránili nepotřebným servisním výjezdům a naučtování nákladů.

Pokud zařízení nefunguje, zkontrolujte

- Zda je zařízení připojeno k napájení
- Pojistky nebo chrániče v domácnosti jsou funkční a pojistka v zástrčce není aktivována.
- Zda zásuvka funguje. Připojte jiné elektrické zařízení, abyste zjistili, zda zásuvka funguje.
- Okolní teplota musí kolísat v rozsahu 16 °C až 32 °C.

Pokud zařízení nefunguje dobře, zkontrolujte

- Zda zařízení není přetíženo.
- Zda je termostat nastaven na příslušnou teplotu.
- Zda jsou dvířka dobře zavřená.
- Zda dveřní těsnění dobře přiléhá.
- Zda je dostatečné větrání z bočních stran a zezadu.
- Okolní teplota musí kolísat v rozsahu 16 °C až 32 °C.

Pokud je zařízení hlučné, zkontrolujte

- Zda je zařízení ustaveno do roviny a stojí stabilně.
- Kapalné chladivo způsobuje hluk, dokonce i když kompresor nepracuje.
- Během provozu zařízení může ventilátor pracovat, dokonce i když nefunguje kompresor.

Pokud nefunguje osvětlení, zkontrolujte

- Zda je zařízení připojeno k napájení.
- Pojistky nebo chrániče v domácnosti jsou funkční a pojistka v zástrčce není aktivována.
- Tlačítko osvětlení není v poloze vypnuto.

Upozornění:

LED osvětlení neměňte bez zavolání servisu

Pokud dvířka nejsou dobře zavřená, zkontrolujte

- Zda je zařízení ustaveno do roviny a stojí stabilně.
- Pokud byla dvířka sejmutá, mohou být nesprávně namontována.
- Dveřní těsnění je znečištěno.
- Police nejsou správně vloženy.

Pokud na displeji svítí "E1" nebo "E2"

- Poškození snímače teploty. Kontaktujte servis

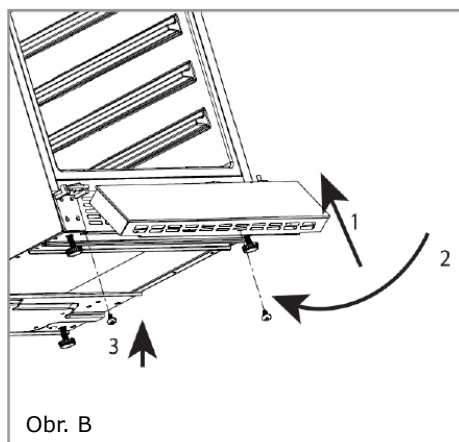
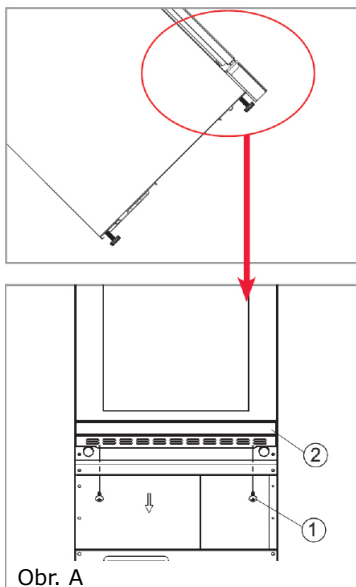
EPREL

Další informace o výrobku se nacházejí v unijní databázi výrobků EPREL na adrese <https://eprel.ec.europa.eu>. Informace lze získat načtením QR kódu z energetického štítku nebo zadáním modelu výrobku z energetického štítku do vyhledávače EPREL <https://eprel.ec.europa.eu/>

MONTÁŽ PODSTAVCE

Montáž by měly provádět alespoň dvě kvalifikované osoby. Plochu pod dvířky na dobu instalace zajistěte ručníkem nebo lepenkou. Během instalace nenaklánějte spotřebič o více než 45°. Po naklonění spotřebiče počkejte minimálně 8 hodin, teprve pak můžete přístroj zapnout.

1. Odstraňte šrouby, které drží podstavec a spodní držák (obr. A).
2. Vložte úchyty ve skleněné části podstavce do otvorů v horní části kovového podstavce. Ustavte podstavec tak, aby se otvory ve vnitřním okraji sekce podstavce se skleněným čelem nacházely na úrovni otvorů v kovovém podstavci. Zašroubujte šrouby zpět (2) (obr. B)



ZÁRUKA, POPRODEJNÍ SERVIS

Záruka

Záruční plnění podle záručního listu. Výrobce neodpovídá za žádné škody způsobené nesprávným zacházením s výrobkem.

Servis

- Výrobce zařízení doporučuje, aby všechny opravy a seřizovací činnosti prováděl tovární servis nebo autorizovaný servis výrobce. Z bezpečnostních důvodů neopravujte zařízení vlastními silami.
- Opravy osobami bez požadované kvalifikace mohou představovat vážné nebezpečí pro uživatele zařízení.
- Minimální doba platnosti záruky na zařízení nabízené výrobcem, dovozcem, nebo oprávněným zástupcem je uvedena v záručním listu.
- Zařízení ztrácí záruku v důsledku svépomocných adaptací, úprav, porušení plomb nebo dalších zabezpečení přístroje nebo jeho částí a dalších svépomocných zásahů do zařízení v rozporu s návodem k obsluze.

Oznámení poruchy a pomoc v případě závady

Potřebuje-li zařízení opravit, kontaktujte servis. Kontaktní údaje servisu včetně telefonního čísla se nacházejí v záručním listu. Před kontaktem si připravte výrobní číslo zařízení, nachází se na výrobním štítku. Pro pohodlí si ho přepíšte níže:

--	--	--	--	--	--	--	--	--	--	--	--	--	--	--	--

Prohlášení výrobce

Producent tímto prohlašuje, že tento výrobek splňuje základní požadavky níže uvedených evropských směrnic:

- Směrnice pro nízkonapěťová zařízení 2014/35/EU
- Směrnice o elektromagnetické kompatibilitě 2014/30/EU
- Směrnice ErP - 2009/125/EC
- Směrnice RoHS 2011/65/EU

Zařízení je označeno symbolem  a má prohlášení o shodě pro kontrolu příslušným orgánem dozoru nad trhem.

Vážený zákazník

Od dnešného dňa každodenné povinnosti budú jednoduchšie ako kedykoľvek predtým. Zariadenie značky **Amica** spája výnimočne jednoduché používanie a dokonalú efektívnosť. Keď sa oboznámite s užívateľskou príručkou, s používaním zariadenia nebudete mať žiadne problémy.

Zariadenie, ktoré opúšťa továreň, bolo pred konečným zabalením na kontrolných staniciach dôkladne skontrolované, čo sa týka bezpečnosti a funkčnosti zariadenia.

Pred spustením zariadenia sa podrobne a dôkladne oboznámte s užívateľskou príručkou. Dodržiavaním pokynov a odporúčaní, ktoré sú v príručke uvedené, predídete nesprávnemu používaniu zariadenia. Príručku uchovajte a uložte ju na takom mieste, aby bola v prípade potreby ľahko dostupná.

Dôkladne dodržiavajte pokyny a odporúčania uvedené v príručke, vyhnete sa tak nešťastným nehodám či úrazom.

S úctou

Amica

DÔLEŽITÉ BEZPEČNOSTNÉ POKYNY

- Prístroj je určený výhradne pre domáce použitie.
- Výrobca si vyhradzuje možnosť prevádzania zmien neovplyvňujúcich fungovanie spotrebiča.
- Výrobca nenesie zodpovednosť za škody vzniknuté z nedodržavania zásad umiestnených v tomto návode.
- Prosíme o zachovanie tohto návodu s cieľom jeho využitia v budúcnosti alebo odovzdania eventuálne-
mu ďalšiemu užívateľovi.
- Toto zariadenie nie je prispôsobené k používaniu oso-
bami (v tom deťmi) s obmedzenou fyzickou, zmyslo-
vou alebo psychickou schopnosťou alebo osobami s
nedostatočnými skúsenosťami a znalosťami zariade-
nia, iba ak je uskutočňované pod dohľadom alebo v
súlade s návodom používania zariadenia, odovzda-
nom osobami odpovedajúcimi za ich bezpečnosť.
- Venujte mimoriadnu pozornosť tomu, aby spotrebič
nepoužívali deti ponechané bez dozoru. Nenechá-
vajte sa im hrať so spotrebičom. Nie je im dovolené
sadať si výsuvné časti a zavesovať sa na dvere.
- Spotrebič pracuje správne v teplote okolitého pro-
stredia, ktorá je uvedená v tabuľke s technickou
špecifikáciou. Nepoužívajte ho v pivnici, sieni, v ne-
ohrievanej chate v jeseni a v zime.
- Počas umiestňovania, presúvania, dvíhania sa nemá
chytať za madla dverí, ťahať za odparovací konden-
zátor na zadnej strane chladničky a aj dotýkať kom-
presorovej jednotky.
- Pred každou konzervačnou činnosťou vyjmite zá-
strčku zo sieťovej zásuvky. Nepopotáhajte za vodič,
ale chytajte za korpus zástrčky.
- Počuteľné zvuky ako bublanie alebo praskanie sú
spôsobené roztáhovaním a zmrašťovaním súčastí v

dôsledku teplotných zmien.

- Z bezpečnostných dôvodov neopravujte spotrebič svojpomocným spôsobom. Opravy vykonávané osobami, ktoré nemajú požadovanú kvalifikáciu môžu vytvárať vážne nebezpečenstvo pre užívateľa spotrebiča.
- Dávajte pozor, aby nebol poškodený chladiaci okruh, napr. napichnutím kanálikov chladiaceho prípravku vo výparníku, zlomením rúr. Vystrekované chladiace médium je horľavé. V prípade vniknutia do očí vyplachujte ich čistou vodou a vyhľadajte lekársku pomoc.
- Pozor! Ak neodlučiteľný napájací vodič bude poškodený, musí byť vymenený u výrobcu alebo v špecializovanom opravárenskom podniku, alebo kvalifikovanou osobou aby nedošlo k ohrozeniu zdravia alebo požiaru.
- Spotrebič úplne odpojte od napájania (vytiahnutím zástrčky zo sieťovej zásuvky) v čase vykonávania takých činností, akými sú čistenie, konzervácia alebo zmena miesta vstavenia.
- Toto zariadenie môže byť používané deťmi vo veku 8 rokov a starších, osoby s obmedzenými fyzickými alebo mentálnymi schopnosťami, ako aj osobami bez skúseností a bez znalostí zariadenia môžu kanvicu používať, pokiaľ sú dohliadané alebo boli inštruované vzhľadom obsluhy zariadenia bezpečným spôsobom a znajú ohrozenie spojené s používaním zariadenia. Deti si nemôžu so zariadením hrať. Čistenie a konzervácia zariadenia nemôže byť vykonávaná deťmi ledaže ukončili 8 rokov a sú dohliadané zodpovednou osobou.
- Spotrebič nečistite parou
- Prechovávajte spotrebič a jeho pripojovací kábel v bezpečnej vzdialenosti od detí mladších ako 8 rokov.
- Neponárajte pripojovací vodič ani zástrčku do vody.
- Udržujte vodič v bezpečnej vzdialenosti od zohrievaných povrchov.

- Nepripustíte, aby pripojovací kábel visel na hrane stolu alebo dosky.
- Vo vnútri komory nepoužívajte elektrické zariadenia.
- Na urýchlenie rozmrazovania nepoužívajte žiadne nástroje.
- Pravidelne čistite vetracie otvory (v prípade zariadení na zabudovanie do skrine alebo pod kuchynskú dosku)
- Toto zariadenie nie je určené na používanie s elektronickými časovačmi, ani s inými zariadeniami určenými na priame alebo vzdialené prerušovanie el. napätia.
- V prípade, ak sa náhodou na elektrické komponenty vyleje nejaká kvapalina, zariadenie okamžite odpojte od el. napätia.
- Uistite sa, či sa počas vykonávania montáže neohol alebo nepoškodil napájací kábel.
- Predtým, než zariadenie odovzdáte na likvidáciu, musíte ho znefunkčniť. Zariadenie odpojte od el. napätia a následne odstrihnite napájací kábel. Aby nedošlo k uväzneniu detí alebo zvierat v zariadení, odmontujte dvere, závesy a zámky.
- Pozor: Ak zariadenie nemá komoru **✳✳✳**, znamená to, že dané chladiace zariadenie nie je určené na mrazenie potravín.
- Minimálna lehota, počas ktorej budú dostupné náhradné diely na opravovanie zariadenia, je 7 alebo 10 rokov, podľa typu a určenia daného náhradného dielu, a v súlade s nariadením Komisie (EU) 2019/2019.
- Zoznam náhradných dielov a procedúra ich objednávania sú dostupné na webových stránkach výrobcu, dovozcu alebo oprávneného zástupcu.

INŠTALÁCIA A PREVÁDZKOVÉ PODMIENKY SPOTREBIČA

- Zariadenie pripojte k el. napätiu až keď uplynie minimálne 24 hodín od momentu rozbalenia a postavenia na cieľovom mieste.
- Spotrebič je treba rozbajiť, odstrániť lepiacu pásku zaisťujúcu dvere a vybavení. Eventuálne zvyšky lepidla je možné odstrániť jemným čistiacim prostriedkom.
- Vnútrajšok chladničky ako aj súčasti výbavy je treba umyť vlažnou vodou s prídavkom prostriedku na umývanie riadu a potom vytrieť a vysušiť.
- Chladničku je treba umiestniť na rovny, vodorovný a stabilný podklad, do suchej, vetranej miestnosti, kde nesvieti slnko, ďalej od tepelných zdrojov takých ako kuchyňa, radiátor ústredného kúrenia, trubka ústredného kúrenia, rozvod teplej vody atď.
- Na vonkajších povrchoch výrobku sa môže nachádzať ochranná fólia, treba ju odstrániť.
- Vodorovné osadenie spotrebiča je treba upraviť zaskrutkovaním 2 nastavitelných predných nožičiek (obr. 1)
- Okolo zariadenia, tzn. z boku a zozadu, zachovajte náležitý odstup (pozri montážny výkres).
- Uistite sa, že spôsob montáže zariadenia v kuchynskom nábytku nebude blokovat vetracie priechody, ktoré sa nachádzajú v dolnej časti vlnotéky.
- Pri prvom spustení zariadenia sa môže objaviť charakteristický zápach. Zanikne, keď sa vnútro zariadenia náležite vychladí.
- Pri prvom spustení zariadenia bude kompresor zariadenia pracovať neprerušene, až kým náležite neklesne teplota vo vnútri vlnotéky.
- V prípade odpojenia od el. napätia, odporúčame, aby bolo zariadenie opätovne pripojené až po min. 5 minútach. Zníži sa tak riziko poškodenia kompresora.
- V niektorých modeloch sa nastavená teplota zobrazí na displeji až po niekoľkých hodinách od spustenia vlnotéky.
- Spotrebič je treba pripojiť k sieti striedavého prúdu 220-240V/ 50Hz správne zapojenou elektrickou zásuvkou s uzemnením a istenou 10 A poistkou.
- Uzemnenie spotrebiča je vyžadované právnymi predpismi. Výrobca sa zrieka akejkoľvek zodpovednosti z titulu eventuality škôd, ktoré môžu utrpieť osoby alebo predmety v dôsledku nesplnenia povinností stanovených v tomto predpise.
- Nemajú sa používať spojovacie články, niekoľkonásobné zásuvky (rozyzdzače), dvojžilové predlžovacie káble. Pokým je nutné použitie predlžovacieho kábla, môže to byť iba predlžovací kábel s ochranným kolíkom, jednozásuvkový, ktorý má bezpečnostný atest VDE/GS.
- Pokým bude použitý predlžovací kábel (s ochranným kolíkom, ktorý má bezpečnostnú značku), napokon jeho zásuvka musí byť umiestnená v bezpečnej vzdialenosti od drezov a nemôže byť vystavená na zaliatie vodou a rôznymi odpadmi.
- Je potreba zabezpečiť možnosť odpojenia spotrebiča od elektrickej siete vytiahnutím zástrčky alebo vypnutím dvojpolového vypínača.

KLIMATICKÁ TRIEDA

Informácia o klimatickej triede spotrebiča sa nachádza na výkonovom štítku. Štítok stanoví, pri akej teplote okolia (tzn. miestnosti, v ktorej pracuje) spotrebič funguje optimálne (správne).

Klimatické pásmo		Prípustná teplota prostredia
SN	rozšírené mierne	Chladiace zariadenie je určené na používanie pri teplote prostredia v rozpätí od +10 °C do +32 °C
N	mierne	Chladiace zariadenie je určené na používanie pri teplote prostredia v rozpätí od +16 °C do +32 °C
ST	subtropické	Chladiace zariadenie je určené na používanie pri teplote prostredia v rozpätí od +16 °C do +38 °C
T	tropické	Chladiace zariadenie je určené na používanie pri teplote prostredia v rozpätí od +16 °C do +43 °C

PRAKTICKÉ RADY

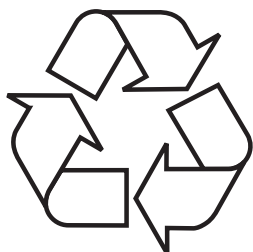
- Ak bude svetlo vo vnútri zariadenia neustále zapnuté, teplota vo vnútri zariadenia bude vyššia.
- Teplota vo vnútri závisí od množstva a druhu skladovaných fliaš s vínom.
- Aby bola zaručená bezpečnosť užívateľa, ako aj vysoká kvalita skladovaného vína, zariadenie nemontujte a nepoužívajte vo vlhkých miestnostiach.
- Fliaše s vínom ukladajte na vyznačených miestach.
- Vínotéka má obmedzenú kapacitu, nevkladajte do nej viac fliaš, než je maximálna kapacita (pozri informačný list výrobcu).
- Ak to nie je nevyhnutné, dvere vínotéky neotvárajte.
- Police nezakrývajte alobalom, ani žiadnym iným materiálom. Takým spôsobom sa zablokuje cirkulácie vzduchu vo vnútri zariadenia.
- Aby nedošlo k poškodeniu tesnenia dverí, pred vytiahnutím police skontrolujte, či sú dvere úplne otvorené. Police vysúvajte až dokonca, v opačnom prípade môže polica zdeformovať tesnenie, následkom čoho sa môže úplne poškodiť.
- Police, v ktorých sú fliaše, nevysúvajte viac než po doraz vysunutia (cca 1/3 dĺžky police).
- Toto zariadenie je určené na uchovávanie fliaš s vínom, nepoužívajte ho na iné účely.
- Stabilná teplota je pri skladovaní vína veľmi dôležitá.
- Vystavenie vínotéky na pôsobenie priameho slnečného žiarenia, veľké vykyvy teploty, vysoká vlhkosť ako aj vibrácie, môžu spôsobiť, že víno nebude vhodné na konzumáciu.
- V čase vyššej vlhkosti vzduchu sa na vonkajšom povrchu sklenených dverí môže kondenzovať vodná para. Aby ste tomu predišli, odporúčame, aby bolo zariadenie namontované v suchej, dobre vetranej miestnosti.
- Niektoré modely majú vonkajšiu rúčku, ktorú montuje používateľ. Na tento účel nepoužívajte elektronáradie (obr. 3). Keď to chcete urobiť, jemne potiahnite tesnenie dverok nabok a vložte skrutky z vnútornej

strany dvierok. Vyrovnajte držiak s otvormi z vonkajšej strany dvierok a dotiahnite skrutky skrutkovačom. Opätovne založte tesnenie dvierok.

- Maximálna kapacita zariadenia je uvedená v informačnom liste, ktorý je pripojený k vínotéke. Táto kapacita sa týka štandardných fliaš typu Bordeaux 0,75 l.
- Niektoré modely majú blokádu proti prevráteniu sa zariadenia. Namontujte podľa pripojenej schémy (obr. 6*).
- Toto chladiace zariadenie je určené na používanie ako vstavané zariadenie.
- Aby ste dosiahli čo najlepšiu úroveň konzervovania potravín na čo najdlhšie a predišli nepotrebnému miňaniu potravín, výrobky rozmiestnite tak, ako je to znázornené na obr. 12. Na obrázku je dodatočne predstavené rozloženie zásuviek, košov a políc, ktoré umožňuje najefektívnejšie využiť energiu spotrebovanú chladiacim zariadením.
- Uchovávaním potravín v náležitých podmienkach a teplote sa predlžuje trvanlivosť a optimalizuje spotreba elektrickej energie. Rozpätie vhodných teplôt sa uvádza na obaloch alebo etiketách potravín.

*Vyskytuje sa v závislosti od modelu

ROZBALENIE



Zariadenie je chránené pred poškodením počas prepravy. Prosíme Vás, aby ste po vybalení zariadenia zlikvidovali obalové materiály spôsobom neohrozujúcim životné prostredie. Všetky materiály použité na zabalenie sú neškodné pre životné prostredie, sú 100% recyklovateľné a sú označené príslušným symbolom.

Pozor! Dávajte pozor, aby sa obalové materiály (polyetylénové vrecká, kúsky polystyrénu atď.) nedostali do rúk deťom.

LIKVIDÁCIA ZARIADENÍ



Toto zariadenie je označené v súlade s Európskou smernicou 2012/19/ES. Tento symbol informuje, že toto zariadenie sa po opotrebovaní (skončení používania) nesmie vyhodiť do komunálneho odpadu.

Užívateľ je povinný zariadenie odovzdať v zbernom mieste opotrebovaných elektrických a elektronických zariadení. Subjekty, ktoré sa zaoberajú spracovaním opotrebovaných zariadení, tzn. miestne zberné miesta, obchody alebo jednotky štátnej správy, vytvárajú príslušný systém, ktorý každému umožňuje odovzdať takéto zariadenia.

Správny postup pri likvidácii elektrického a elektronického zariadenia predchádza negatívnemu vplyvu škodlivých pre ľudské zdravie a životné prostredie konzekvencií, ktoré vyplývajú z prítomnosti nebezpečných častí ako aj nesprávneho skladovania a recyklácie takýchto zariadení.

OVLÁDACIE PRVKY

Ovládacie prvky – jedna a dve zóny





Ovládací panel je zobrazený na obr. č. 4. Je zobrazený aj nižšie:

Jedna zóna



Dve zóny



-  – Tlačidlo napájania
-  – Tlačidlo osvetlenia
-  – Tlačidlo "+"
-  – Tlačidlo "-"

Zapnutie / vypnutie napájania

Keď chcete vínotéku zapnúť, stlačte a na cca 1 sekundu podržte tlačidlo napájania.

Keď chcete vínotéku vypnúť, stlačte a na cca 5 sekúnd podržte tlačidlo napájania.

Zmena teploty

- Stláčaním tlačidla "+" alebo "-" nastavíte požadovanú teplotu, ktorá sa zobrazí na displeji.
- Predvolene je nastavená teplota 12 °C / 54 °F.
- Keď chcete zmeniť jednotku teploty zo stupňov Fahrenheita na stupne Celzia, alebo naopak, stlačte a na cca 5 sekúnd podržte tlačidlo osvetlenia.
- Keď chcete skontrolovať, aká teplota je zadaná, v ľubovoľnej chvíli stlačte tlačidlo "+" alebo "-" a hodnota zadanej teploty bude blikať na LED displeji cca 5 sekúnd.
- Keď je vínotéka zapnutá, na displeji sa zobrazuje hodnota aktuálnej teploty vo vnútri komory.

Pozor: Teplota v dolnej zóne musí byť nastavená na takej istej úrovni alebo vyššej, než v hornej zóne. Optimálna práca sa dosahuje, keď teplota v oboch zónach sa líši aspoň o 4 °C.

Voľba optimálnej teploty

Najlepšia teplota na skladovanie vína je 13-15 °C, ale víno môže byť skladované aj pri teplote podávania. Pre červené víno je to 15-17 °C, a pre biele víno 12-13 °C.

Osvetlenie vnútra

Stláčaním tlačidla osvetlenia sa zapína a vypína osvetlenie.

Vlhkosť vo vnútri

Niektoré modely vínotiek majú dodatočne systém udržiavania optimálnej vlhkosti. Nádobu na vodu systému udržiavania vlhkosti naplňte vodou do 3/4 objemu. Nádobu umiestnite na koľajničkách na hornej polici tak, ako je to predstavené na obr. 2. Nádobu vložte správne, aby sa z nej voda nevyliala. Pravidelne kontrolujte množstvo vody v nádobe, a keď je to potrebné, doplňte ju.

Displej teploty

Na displeji teploty sa zobrazuje aktuálna teplota v komore vínotéky.

Displej bliká:

- Počas nastavovania inej teploty
- Ak sa teplota vo vnútri líši od hodnoty nastavenej teploty o +/- 5 stupňov.

V prípade, ak sa teplota nadmerne zvýši, je to výstraha pred prípadným znehodnotením obsahu vínotéky.

Tichý režim

Keď teplota v komore dosiahne požadovanú hodnotu, zariadenie nepoužíva ventilátor.

Vínotéka má predvolene nastavený tichý režim. Keď chcete zmeniť na režim dynamického chladenia stlačte a na cca 5 sekúnd podržte tlačidlo "-" (tlačidlo "-" na ľavej strane vo vínotékach s dvoma zónami). Vínotéka päťkrát vydá zvukový signál, ktorý potvrdzuje, že sa aktivoval režim dynamického chladenia.

Režim dynamického chladenia

Ventilátor sa pravidelne spúšťa a vypína, čím udržiava náležitú cirkuláciu vzduchu dokonca aj vtedy, keď je dosiahnutá požadovaná teplota. Vďaka tomu sa v komore dosahuje potrebná stála a rovnomerná vlhkosť a teplota, čím sa vytvárajú ideálne podmienky na dlhodobé skladovanie. Režim dynamického chladenia vytvára viac hluku, keď je zariadenie spustené.

Keď chcete zmeniť na tichý režim stlačte a na cca 5 sekúnd podržte tlačidlo "+" (Tlačidlo "+" na ľavej strane vo vínotékach s dvoma zónami). Vínotéka trikrát vydá zvukový signál, ktorý potvrdzuje, že sa aktivoval tichý režim.

Víkendový režim

Keď je aktívny tento režim, je vypnutý displej, vnútorné osvetlenie ako aj zvukové signály. Chladenie stále funguje normálne. Keď chcete aktivovať Víkendový režim, stlačte a na cca 5 sekúnd súčasne podržte tlačidlá napájania a osvetlenia. Displej zabliká štyrikrát, čím sa potvrdí aktivácia režimu. Víkendový režim sa automaticky vypne po 48 hodinách; dovolenkový režim môžete vypnúť hocikedy stlačením a na cca 5 sekúnd podržaním súčasne tlačidiel napájania a osvetlenia.

Alarm teploty

Ak teplota vzrastie alebo spadne pod stanovený rozsah, aktivuje sa zvukový alarm a displej začne blikať. Dôvody môžu byť nasledovné:

- Vínotéka ešte nedosiahla nastavenú teplotu (pri prvom spustení).
- Došlo k prerušeniu el. napätia.
- Vínotéka je preťažená (je vložených príliš veľa fliaš).
- Dvere nie sú správne zatvorené.

ČISTENIE A ÚDRŽBA

Pred čistením i vykonávaním údržby zariadenie odpojte od el. napätia vytiahnutím zástrčky z el. zásuvky.

Vyberanie políc

- Keď chcete z vínotéky vybrať police, v prvom rade vyberte všetky fľaše, následne potiahnite policu dopredu, až kým sa drážky na oboch stranách police nevyrovnajú s plastovými výbežkami na oboch stranách komory (tak ako je to predstavené na obr. 5). Následne policu zdvihnite dohora a potiahnite dopredu.
- Keď chcete policu vložiť naspäť, postupujte adekvátne v opačnom poradí.

Čistenie

- Na čistenie nepoužívajte drsné čistiace prostriedky ani prípravky. Po umytí vypláchnite a dôkladne vysušte.
- Plášť zariadenia a tesnenia dverí umývajte vodou s dodatkom malého množstva prípravku na umývanie riadu, následne dôkladne vysušte.
- Vnútro zariadenia umývajte roztokom sódy a teplej vody.
- Police umývajte osobite vodou s dodatkom malého množstva prípravku na umývanie riadu. Police neumývajte v umývačke riadu.
- Ovládací panel a elektrické časti pretierajte vlhkou handričkou, a pred pripojením zariadenia k el. napätiu dôkladne vysušte.
- Zariadenie po umytí pripojte k el. napätiu.
- Ak zariadenie nebudete dlhší čas používať, odpojte ho od el. napätia a dôkladne umyte. Dvere nechajte odchylené, aby vo vnútri nevznikol nepríjemný zápach a nekondenzovala sa vo vnútri vodná para.

RIEŠENIE PROBLÉMOV

V prípade akýchkoľvek problémov, predtým, než zavoláte servis, skontrolujte tipy na samostatné riešenie problémov, aby ste predišli nepotrebnému zásahu servisu a s tým súvisiacim nákladom.

Ak zariadenie nefunguje

- Skontrolujte, či je zariadenie pripojené k el. napätiu.
- Skontrolujte, či sa neaktivovali ističe alebo poistky v danom obvode, alebo či sa neaktivovala poistka v zástrčke.
- Skontrolujte, či je použitá el. zásuvka funkčná. Pripojte iný el. spotrebič a skontrolujte, či el. zásuvka funguje.
- Teplota prostredia musí byť v rozsahu od +16 °C do +32 °C.

Ak zariadenie síce funguje, ale nefunguje príliš dobre, skontrolujte

- Či nie je zariadenie preťažené.
- Či je termostat nastavený na vhodnú teplotu.
- Či sú dvere zatvorené správne.
- Či tesnenie dverí dobre prilieha.
- Či je vetranie zboku a zozadu dostatočné.
- Teplota prostredia musí byť v rozsahu od +16 °C do +32 °C.

Ak je zariadenie príliš hlučné

- Skontrolujte, či zariadenie stojí vodorovne a stabilne.
- Plynová chladiaca zmes vytvára hluk dokonca aj vtedy, keď nie je spustený kompresor.
- Keď je zariadenie zapnuté, ventilátor môže byť spustený dokonca aj vtedy, keď nie je spustený kompresor.

Ak nefunguje osvetlenie

- Skontrolujte, či je zariadenie pripojené k el. napätiu.
- Skontrolujte, či sa neaktivovali ističe alebo poistky v danom obvode, alebo či sa neaktivovala poistka v zástrčke.
- Tlačidlo osvetlenia nie je prepnuté v zapnutej polohe.

Pozor:

LED osvetlenie môžete vymeniť samostatne, nemusíte volať servis.

Ak dvere nie sú zatvorené správne, skontrolujte

- Skontrolujte, či zariadenie stojí vodorovne a stabilne.
- Ak boli dvere zložené, možno neboli namontované naspäť správne.
- Tesnenie dverí je znečistené.
- Police nie sú správne vložené.

Ak na displeji svieti "E1" alebo "E2"

- Porucha snímača teploty. Kontaktujte servis.

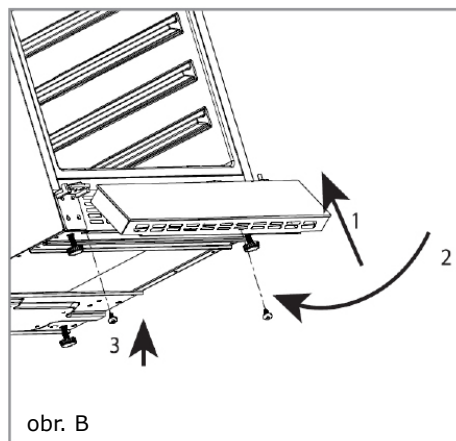
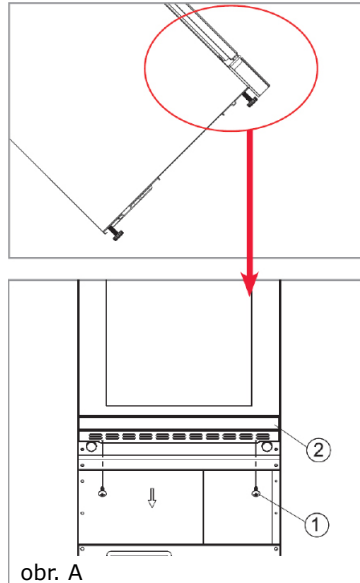
EPREL

Bližšie informácie o danom výrobku nájdete v databáze výrobkov EPREL, ktorá je dostupná na adrese <https://eprel.ec.europa.eu>. Informácie môžete získať načítaním QR kódu z energetického štítku alebo zadaním modelu výrobku z energetického štítku vo vyhľadávači EPREL <https://eprel.ec.europa.eu/>

MONTÁŽ SOKLA

Montáž musia vykonať aspoň dve náležite kvalifikované osoby. Počas montáže zabezpečte povrch pod dverami uterákom alebo lepenkou. Zariadenie počas montáže nevychýľajte o viac než 45 °. Zariadenie po vychýlení nepoužívajte aspoň 8 hodín, až potom môžete zariadenie zapnúť.

1. Odskrutkujte upevňovacie skrutky sokla a dolnú vzperu (obr. A).
2. Vložte háky v sklenenej časti sokla do otvorov v dolnej časti kovového sokla. Nastavte sokel tak, aby sa otvory vo vnútornej hrane sekcie sokla so skleným čelom nachádzali na úrovni otvorov v kovovom sokle. Opäť zaskrutkujte skrutky (2) (obr. B)



ZÁRUKA, POPREDAJNÝ SERVIS

Záruka

Záruka sa poskytuje podľa podmienok uvedených v záručnom liste. Výrobca neodpovedá za akékoľvek škody spôsobené nesprávnym zaobchádzaním a používaním výrobku.

Servis

- Výrobca zariadenia odporúča, aby všetky opravy a nastavovania výrobku vždy vykonával továrenský servis alebo autorizovaný servis výrobcu. Z bezpečnostných dôvodov neopravujte spotrebič svojpomocným spôsobom.
- Opravy vykonávané osobami, ktoré nemajú požadované kvalifikácie, môže predstavovať vážne nebezpečenstvo pre používateľa zariadenia.
- Minimálna lehota platnosti záruky na zariadenie ponúkané výrobcom, dovozcom alebo oprávneným zástupcom, je uvedená v záručnom liste.
- Záruka na zariadenie prestáva platiť v dôsledku vykonania adaptácie, prerobenia zariadenia, poškodenia plomb alebo iných ochrán a zabezpečení zariadenia alebo jeho častí alebo v dôsledku iných nepovolených zásahov do zariadenia, vykonaných v rozpore z používateľskou príručkou.

Nahlásenie opravy a pomoc v prípade poruchy

Ak je potrebné zariadenie opraviť, obráťte sa na autorizovaný servis. Kontaktné údaje servisu, vrátane kontaktného telefónneho čísla, sú uvedené v záručnom liste. Pred tým, ako sa obrátite na servis, pripravte seriové číslo zariadenia, ktoré je uvedené na výrobnom štítku. Na uľahčenie ho prepíšte tu:

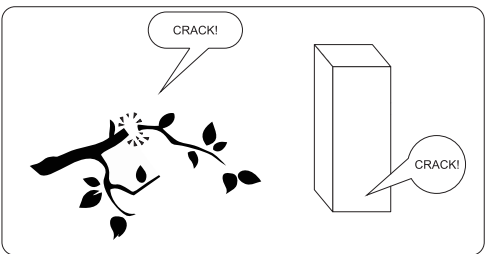
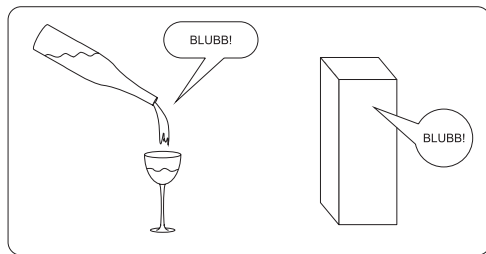
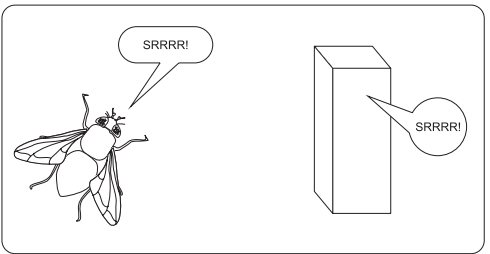
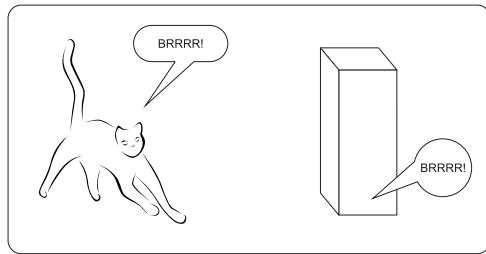
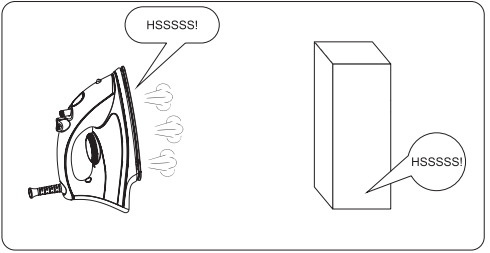
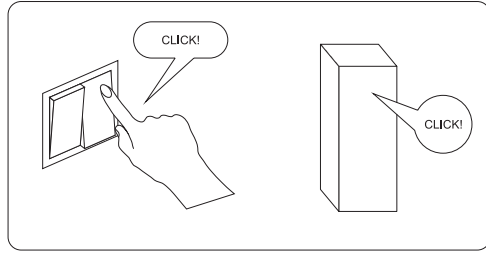
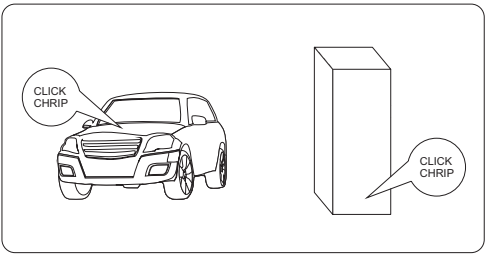
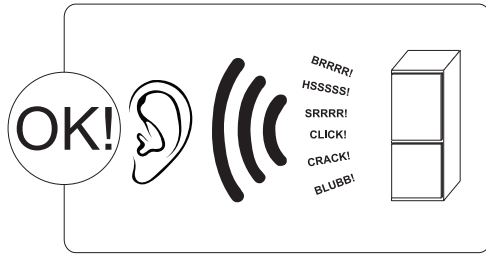
--	--	--	--	--	--	--	--	--	--	--	--	--	--	--	--	--	--	--	--

Vyhlasenie výrobcu

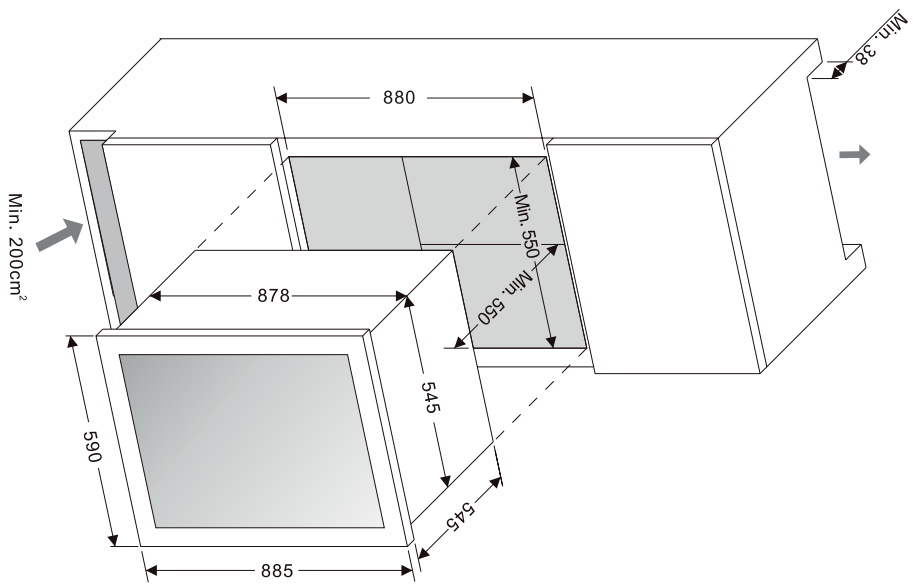
Výrobca týmto vyhlasuje, že výrobok spĺňa dôležité požiadavky nasledujúcich európskych smerníc:

- **Smernica pre nízke napätie 2014/35/EU**
- **Smernica elektromagnetickej kompatibility 2014/30/EU**
- **Smernica ErP - 2009/125/EC**
- **Smernica RoHS 2011/65/EU**

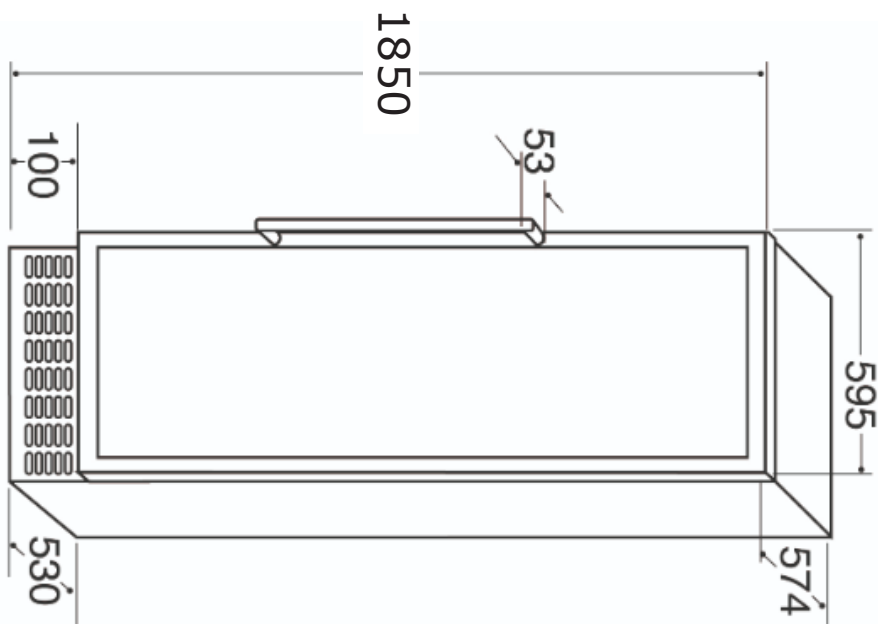
Zariadenie je označené symbolom **CE** a má vyhlásenie o zhode na kontrolu príslušným orgánom dohľadu nad trhom.



WK 341 220 S



WK 348 100 S



EN: The plinth must be cut out in order to ensure ventilation. In order to position the appliance, the glass door should be even with the furniture front. To ensure stability the adjustable feet should be screwed out until they appliance is touching the work top. This appliance is designed to fit under worktops between 820 – 890mm in height, using the adjustable plinth plate to ensure that the feet are concealed from view.

DE: Zur Belüftung muss der der Sockel passend ausgeschnitten werden. Zur richtigen Positionierung, den Weinkühlschrank so weit einschieben, bis die Glastür mit der Möbelfront bündig ist. Um einen sicheren Stand zu gewährleisten, sollte der Weinkühlschrank mithilfe der Stellfüße, bis unter die Arbeitsplatte gedreht werden. Dieses Gerät passt unter Arbeitsplatten mit einer Höhe zwischen 820 und 890 mm. die verstellbare Sockelplatte kann genutzt werden um sicherzustellen, dass die Füße nicht sichtbar sind.

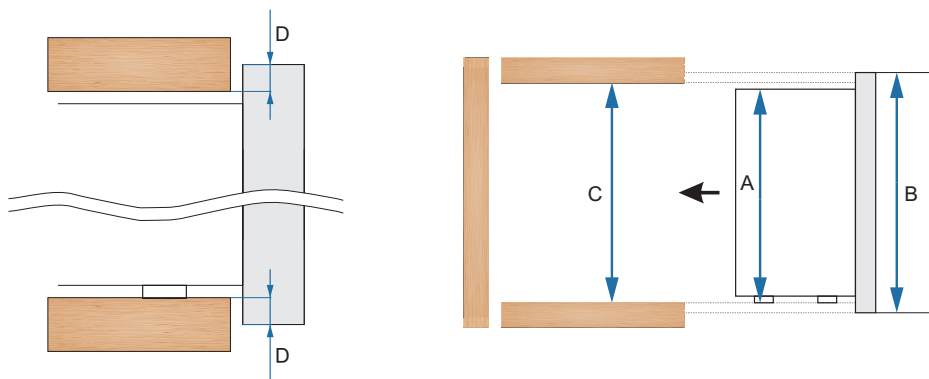
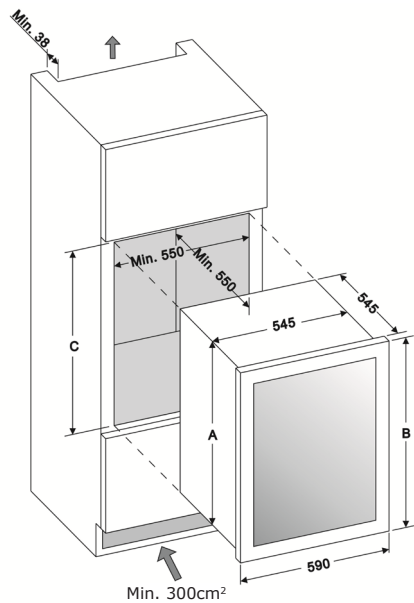
FR: Le socle sous le refroidisseur doit être découpé d'une manière appropriée. La porte vitrée de l'appareil doit être alignée avec le front du meuble. Pour assurer la stabilité, dévisser les pieds réglables jusqu'à ce que l'appareil touche le plan de travail. L'appareil a été conçu pour qu'il puisse être encastré sous les plans de travail d'une hauteur de 820 à 890 mm. Utiliser le socle réglable pour couvrir les pieds avant de l'appareil.

PL: Cokół pod chłodziarką należy wyciąć w odpowiedni sposób. Szklane drzwi urządzenia powinny być wyrównane z frontem mebla. Aby zapewnić stabilność, należy wykręcać regulowane nóżki, aż urządzenie dotknie blatu roboczego. To urządzenie zostało zaprojektowane tak, aby pasowało pod blaty kuchenne o wysokości od 820 do 890 mm, użyj regulowanego cokołu, aby zasłonić frontowe nóżki urządzenia.

ES: La base por debajo del frigorífico debe ser cortada de manera adecuada. La puerta de vidrio del aparato debe estar alineada con la parte frontal del mueble. Para garantizar la estabilidad, desenrosque las patas ajustables hasta que el aparato haga contacto con la encimera. Este aparato se ha diseñado para su integración en encimeras de cocina de 820 a 890 mm de altura. Utilice el zócalo regulable para cubrir las patas delanteras del aparato.

SL: Podstavek pod hladilnikom mora biti pravilno izrežan. Steklena vrata naprave morajo biti poravnana s srednjim delom pohištva. Če želite zagotoviti stabilnost, je potrebno obračati nastavljive nogice, dokler se naprava ne dotakne delovnega pulta. Ta naprava je bila oblikovana tako, da bi se prilegala kuhinjskemu pultu od 820 do 890 mm, uporabite nastavljivi nosilec, da zakrijete srednje noge naprave.

NL: De plint onder de koelkast moet op de juiste manier worden uitgesneden. De glazen deur van het apparaat moet gelijk liggen met de voorkant van het meubel. Om stabiliteit te garanderen, schroeft u de stelvoetjes uit totdat het apparaat het werkblad raakt. Dit apparaat is ontworpen om te passen onder werkbladhooftes van 820 tot 890 mm. Gebruik de verstelbare plint om de voorpoten van het apparaat weg te werken.



$$D = (B - C) \div 2$$

	A [mm]	B [mm]	C [mm]
WCB2K60B36.1	588	595	590
WK 341 220 S / WK 341 212 S	878	885	880

EN:

- Since the appliance will be built into a furniture unit, before installing the appliance, prepare a ventilation duct behind the appliance running from the floor to the top of the furniture unit. Ensure there is free space between the back of the appliance and the wall, which is not blocked by furniture. The area of ventilation grille should be at least 300 cm²
- To ensure correct appliance operation never cover any ventilation openings. Regularly clean the ventilation grille.

DE:

- Wird das Gerät vollständig eingebaut, muss vor der Installation ein Lüftungskanal hinter dem Gerät vom Fußboden bis zur Oberseite des Möbels vorbereitet werden. Zwischen der Wand des Raumes und der Hinterwand des Geräts sollte sich keine Möbelwand befinden (es muss ein Freiraum bleiben). Das Lüftungsgitter sollte eine Größe von mindestens 300 cm² haben.
- Um die ordnungsgemäße Funktion des Geräts zu gewährleisten, ist darauf zu achten, dass die Lüftungsöffnungen nie verdeckt werden. Das Lüftungsgitter muss regelmäßig gereinigt werden.

FR:

- Étant donné l'encastrement complet de l'appareil, avant l'installation, prévoir un conduit de ventilation allant du sol, derrière l'appareil jusqu'à la partie supérieure du meuble. L'appareil ne peut pas être séparé du mur de la pièce par une paroi de meuble (garder un espace libre). La grille d'aération doit être d'au moins 300cm²
- Pour assurer le fonctionnement correct de l'appareil, ne jamais couvrir les orifices d'aération. Nettoyer régulièrement la grille d'aération.

PL:

- Z powodu całkowitej zabudowy urządzenia, przed instalacją, należy przygotować kanał wentylacyjny biegnący od posadzki, za urządzeniem, aż do samego szczytu mebla. Pomiędzy ścianą pomieszczenia w urządzeniem nie powinno być ścianki meblowej (należy zachować wolną przestrzeń). Kratka wentylacyjna powinna mieć co najmniej 300cm²
- Zby zapewnić poprawność funkcjonowania urządzenia, otwory wentylacyjne nigdy nie powinny zostać zakrywane. Należy regularnie czyścić kratkę wentylacyjną.

ES:

- Por causa de la instalación completa de aparato, antes de la instalación, se debe preparar el canal de ventilación que pasa desde el suelo, detrás del aparato, hasta el mismo tope de mueble. Entre la pared de la habitación y del aparato no debe haber pared de mueble (se debe guardar espacio libre). La rejilla de ventilación debe tener al menos 300cm²
- Para garantizar la corrección de funcionamiento de aparato, los orificios de ventilación no debe estar cubiertos. Se debe limpiar la rejilla de ventilación con regularidad.

SL:

- Zaradi popolne vgradnje naprave je treba pred namestitvijo pripraviti prezračevalni kanal od tal, za napravo, vse do vrha pohištva. Med steno prostora in napravo ne sme biti pohištvene stene (treba je ohraniti prost prostor). Prezračevalna rešetka mora imeti vsaj 300cm²
- Če želite zagotoviti popolno delovanje naprave, prezračevalne odprtine ne smejo biti nikoli zakrite. Prezračevalno rešetko je potrebno redno čistiti.

NL:

- Omdat het apparaat volledig is ingebouwd, moet u vóór de installatie een ventilatiekanaal maken dat aan de achterkant van het apparaat van de vloer naar de bovenkant van het meubel loopt. Er mag zich geen meubelwand tussen het apparaat en de muur bevinden (houd een vrije ruimte aan). Het ventilatierooster moet minstens 300 cm² groot zijn.
- Om goede werking van het apparaat te garanderen, mogen de ventilatieopeningen nooit worden afgedekt. Maak het ventilatierooster regelmatig schoon.

EN- Adjusting the plinth (according to the model)

The pre-fitted plinth for some appliance comes with an adjustable lower section that is initially seated behind the upper section. The process for adjusting the plinth trim is simple and is achieved by following the image and steps below.

1. Remove the screws (1) from both the top left and top right hand sides.
2. Loosen or remove the screws (2) from the bottom left and bottom right hand sides. Failure to sufficiently loosen the bottom screws may cause damage to the lower trim when adjusting it.
3. Carefully guide the lower trim down until the desired height is achieved.
4. Reinsert screws (1) and tighten them. Then, tighten or reinsert screws (2).

DE - Anpassen des Sockels (je nach Modell)

Bestimmte Modelle haben einen provisorisch montierten Sockel. Bei diesen Modellen befindet sich zunächst ein Teil des Sockels hinter dem anderen. Das Anpassen des Sockels ist nicht kompliziert, befolgen Sie nur die untenstehenden Schritte:

1. Schrauben Sie die oberen Schrauben (1) auf beiden Seiten des Sockels aus.
2. Lösen Sie die unteren Schrauben (2) auf beiden Seiten des Sockels oder drehen Sie sie ebenfalls heraus. Werden die Schrauben nicht ausreichend herausgedreht, kann der Sockel beschädigt werden
3. Lassen Sie den Sockel nun vorsichtig bis auf die gewünscht Höhe herunter.
4. Setzen Sie die oberen Schrauben (1) ein und schrauben Sie sie fest. Ziehen Sie die unteren Schrauben (2) wieder an.

FR- Réglage du socle (selon le modèle)

Certains modèles de l'appareil possèdent des socles prémontés. D'abord, une partie du socle se trouve derrière l'autre. Le réglage n'est pas difficile, réaliser les étapes décrites ci-dessous :

1. Dévisser les vis supérieures (1) se trouvant des deux côtés du socle
2. Desserrer ou dévisser les vis inférieures (2) des deux côtés du socle. Si les vis ne sont pas suffisamment dévissées, le socle peut être endommagé
3. Baisser avec précaution le socle à la hauteur correcte
4. Insérer les vis supérieures (1) et les serrer. Serrer les vis inférieures (2).

PL- Regulacja cokółu (w zależności od modelu)

Wybrane modele urządzeń mają wstępnie zamontowany cokół. Początkowo jedna część cokółu znajduje się za drugą. Proces regulacji nie jest skomplikowany, wykonaj poniżej opisane kroki:

1. Wykręć górne śruby (1) znajdujące się po obu stronach cokółu
2. Poluzuj lub wykręć dolne śruby (2) po obu stronach cokółu. Niewystarczające wykręcenie może spowodować uszkodzenie cokółu
3. Ostrożnie opuść cokół na odpowiednią wysokość
4. Włóż górne śruby (1) i je dokręć. Dokręć dolne śruby (2).

ES- Ajuste del zócalo (según el modelo)

Algunos modelos disponen de un zócalo premontado. Inicialmente, una parte del zócalo se encuentra detrás de la otra. El ajuste no es complicado. Solo debe seguir los siguientes pasos:

1. Retire los tornillos superiores (1) a ambos lados del zócalo
2. Afloje o destornille los tornillos inferiores (2) a ambos lados del zócalo. Si no se destornillan lo suficiente, se puede dañar el zócalo
3. Descienda con cuidado el zócalo a la altura adecuada
4. Introduzca los tornillos superiores (1) y apriéte los. Apriete los tornillos inferiores (2).

SL- Nastavitev nosilca (odvisno od modela)

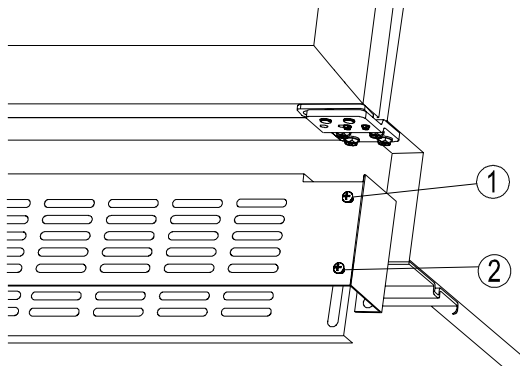
Izbrani modeli naprav imajo vnaprej namontiran nosilec. Na začetku se en del nosilca nahaja za drugim. Proces nastavitve ni kompliciran, izvedite spodaj opisane korake:

1. Odvijte zgornje vijake (1), ki se nahajajo na obeh straneh nosilca.
2. Zrahljajte ali odvijte spodnje vijake (2) na obeh straneh nosilca. Če jih ne boste zadostno odvili, lahko to povzroči, da se nosilec poškoduje.
3. Pazljivo spustite nosilec na primerno višino
4. Vstavite zgornje vijake (1) in jih privijte. Privijte spodnje vijake (2).

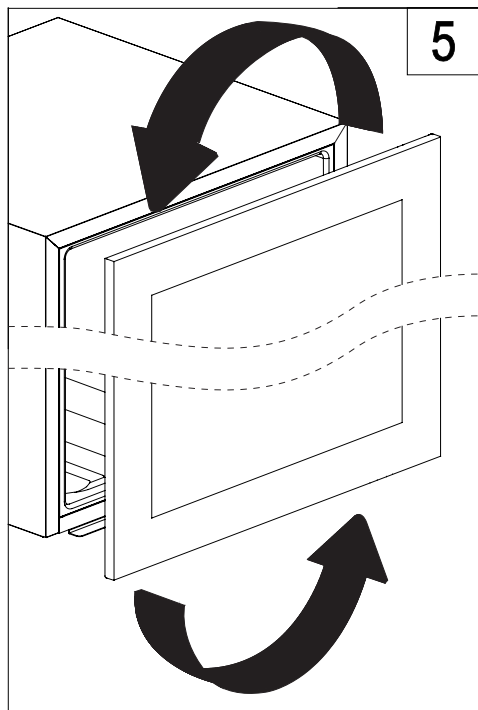
NL- Aanpassing van de plint (afhankelijk van het model)

Bepaalde apparaatmodellen hebben een voorgemonteerde plint. Aanvankelijk bevindt het ene deel van de plint zich achter het andere. Het aanpassingsproces is niet ingewikkeld, volg de onderstaande stappen:

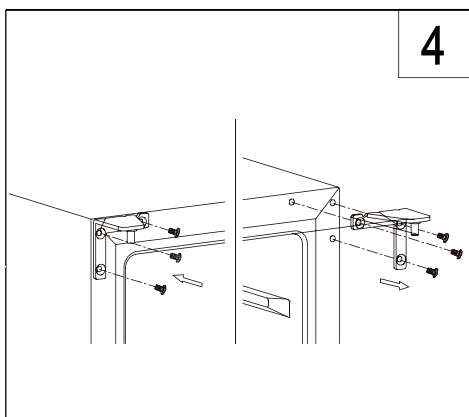
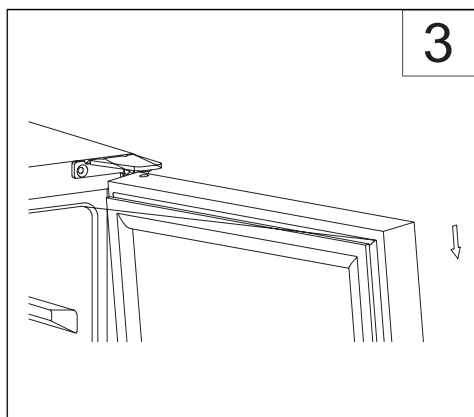
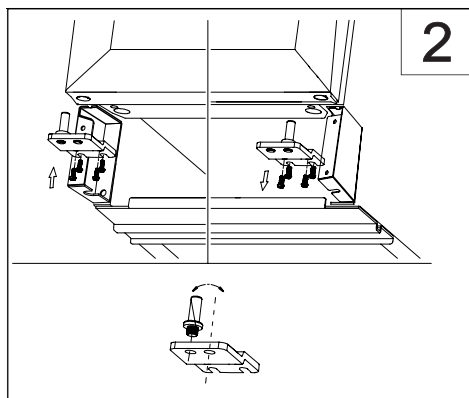
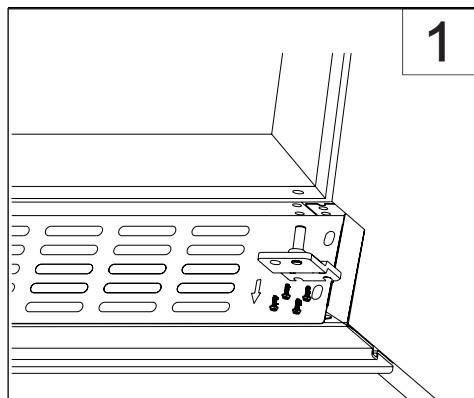
1. Verwijder de bovenste schroeven (1) aan beide zijden van de plint.
2. Draai de onderste schroeven (2) aan beide zijden van de plint los of verwijder ze. Onvoldoende losschroeven kan de plint beschadigen.
3. Laat de plint voorzichtig zakken tot de juiste hoogte.
4. Plaats de bovenste schroeven (1) en draai ze vast. Draai de onderste schroeven (2) vast.



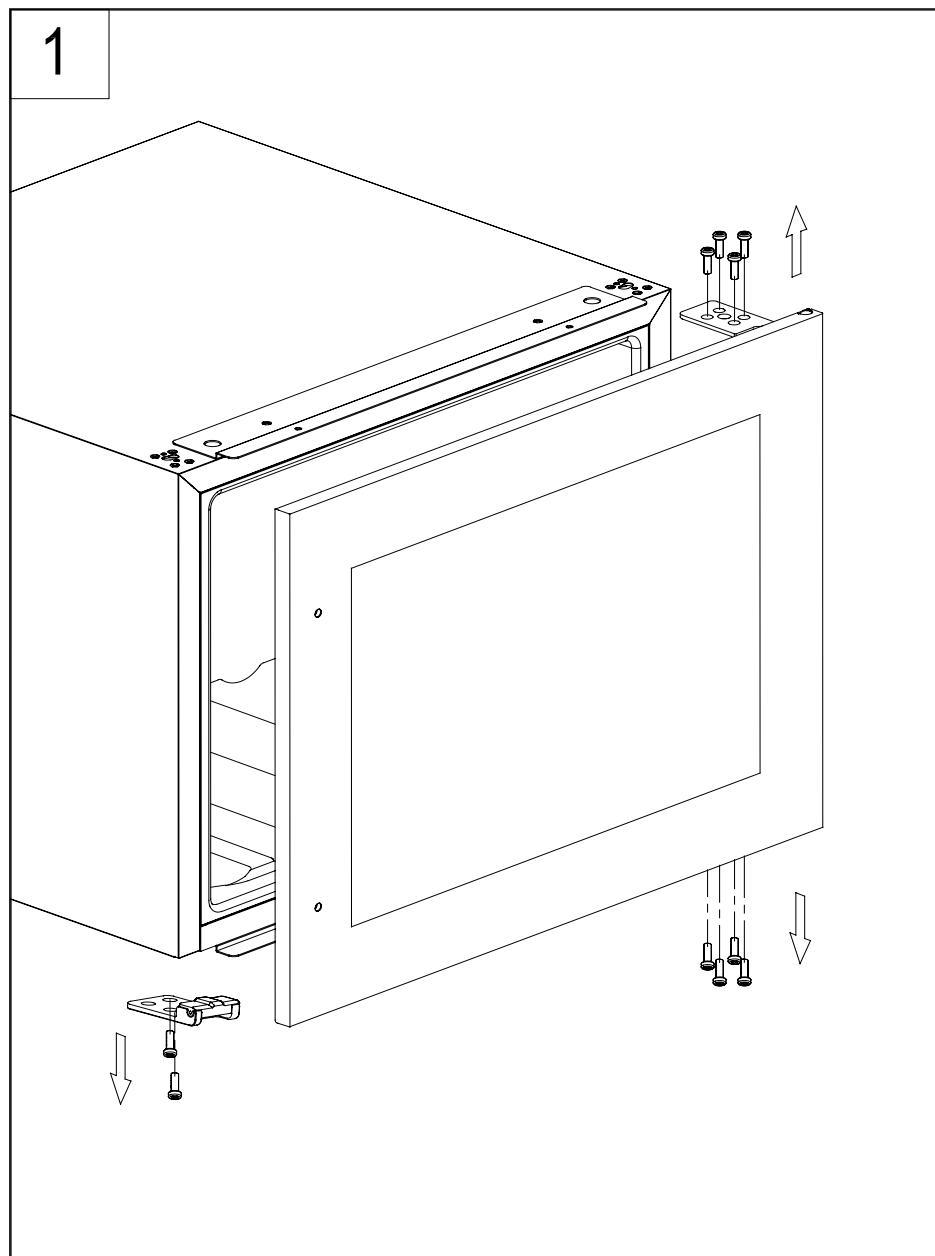
OPTION 1:



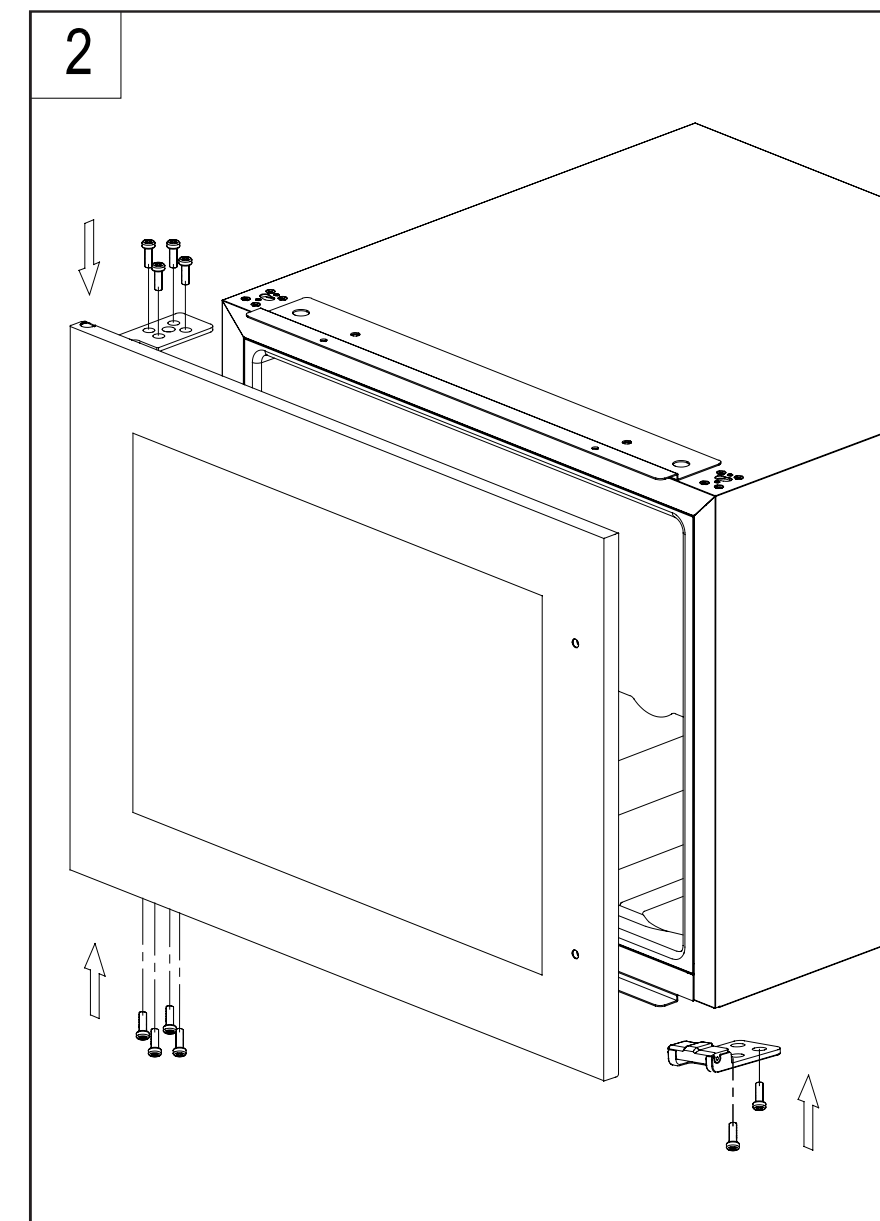
EN- CHANGING THE DIRECTION OF THE DOOR OPENING / DE- WECHSEL DES TÜRANSCHLAGS / FR- INVERSION DE SENS D'OUVERTURE DE PORTE / PL- ZMIANA KIERUNKU OTWIERANIA DRZWI / ES- CAMBIO DEL SENTIDO DE APERTURA DE PUERTA / SL- SPREMEMBA SMERI ODPIRANJA VRAT / NL- OMDRAAIEN VAN DE DRAAIRICHTING VAN DE DEUR

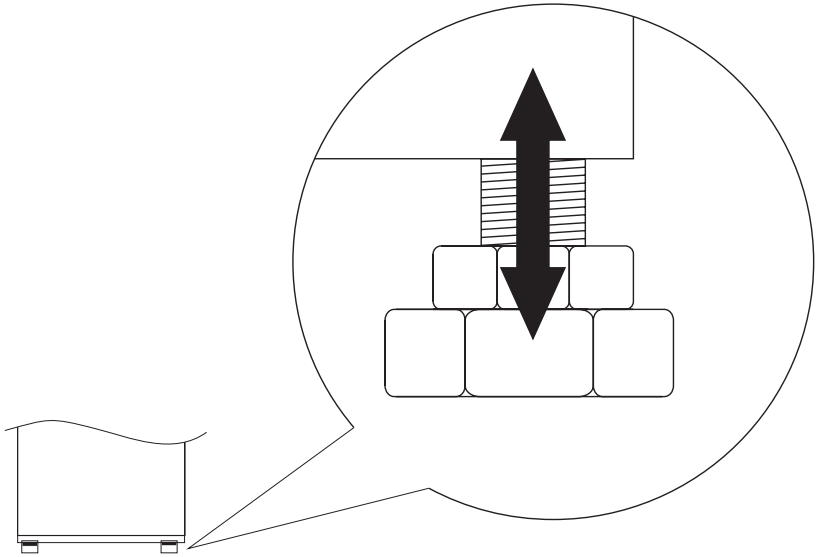


OPTION 2:

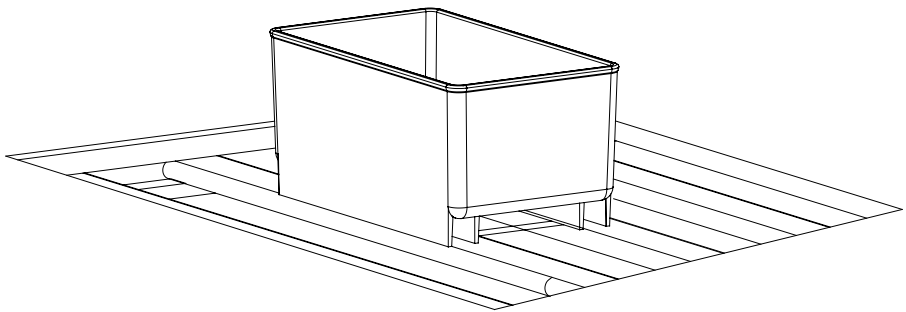


EN- CHANGING THE DIRECTION OF THE DOOR OPENING / DE- WECHSEL DES TÜRANSCHLAGS / FR- INVERSION DE SENS D'OUVERTURE DE PORTE / PL- ZMIANA KIERUNKU OTWIERANIA DRZWI / ES- CAMBIO DEL SENTIDO DE APERTURA DE PUERTA / SL- SPREMEMBA SMERI ODPIRANJA VRAT / NL- OMDRAAIEN VAN DE DRAAIRICHTING VAN DE DEUR



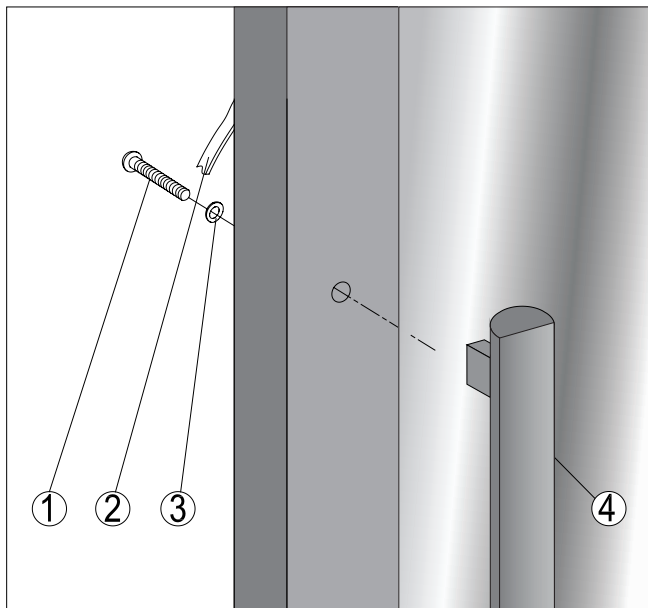


1



2

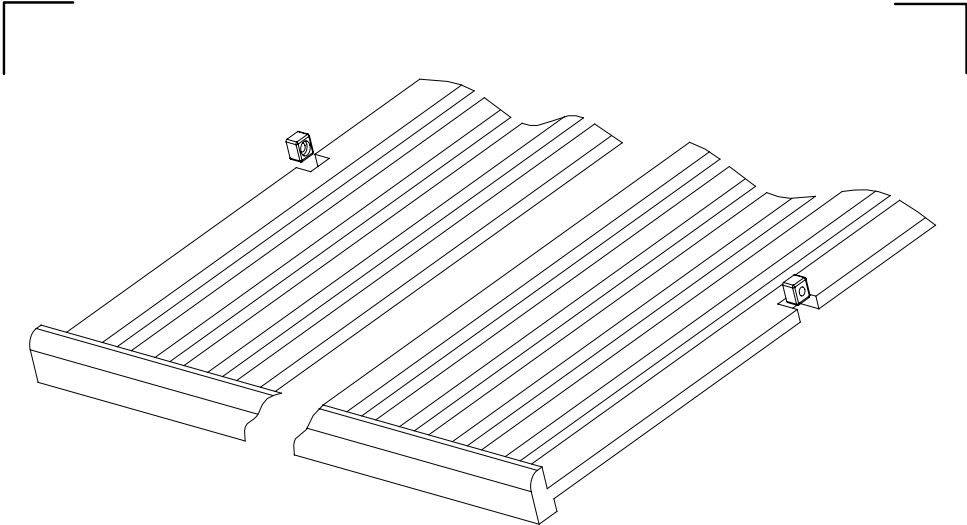




3

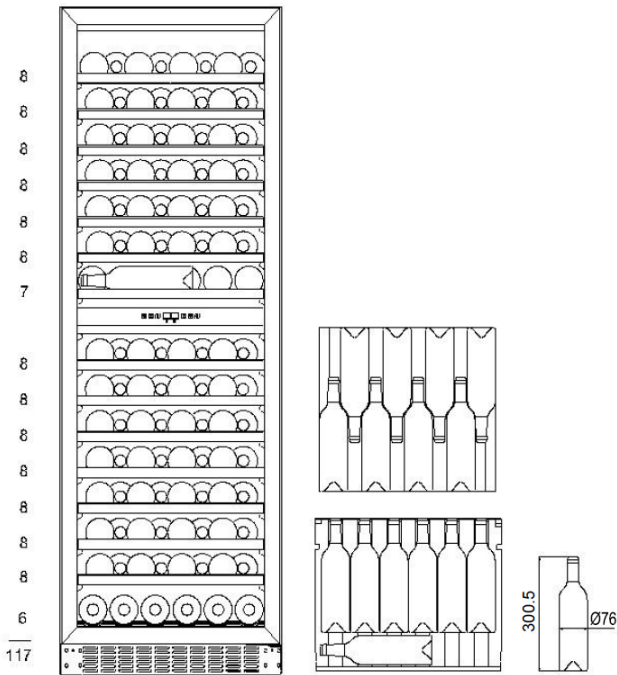


4



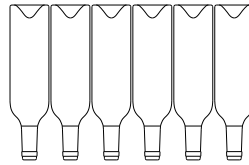
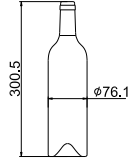
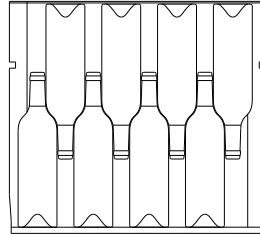
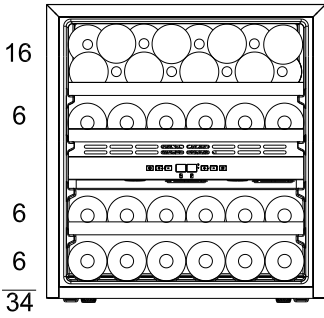
5

WK 348 100 S

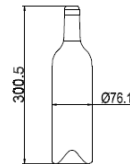
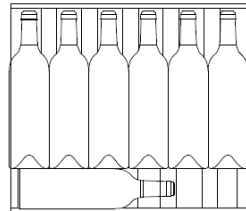
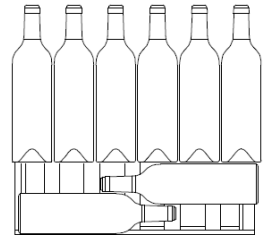
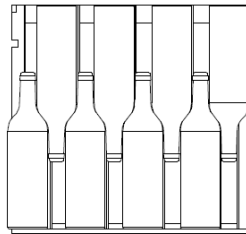
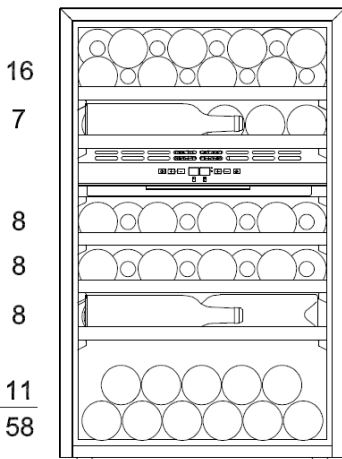


12

WCB2K60B36.1 / WK 341 212 S



WK 341 220 S



Amica S.A.
ul . Mickiewicza 52 / 64-510 Wronki
tel. 67 25 46 100 / fax 67 25 40 320
www.amica.pl

Amica International GmbH
Lüdinghauser Str. 52
D-59387 Ascheberg
Tel: 0 25 93 - 95 67-0
www.amica-group.de