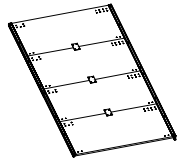
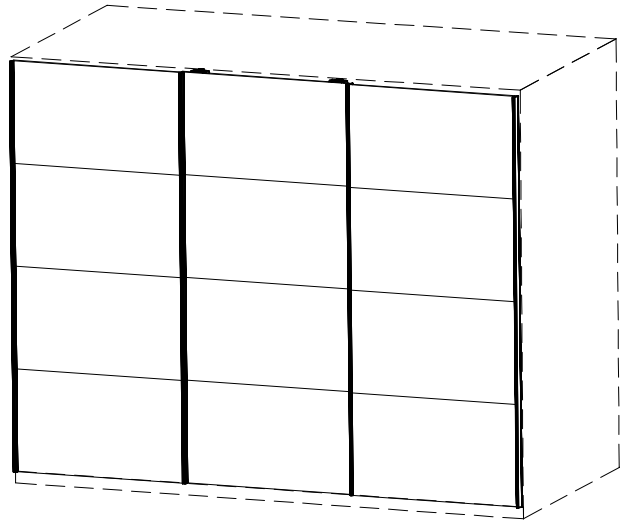
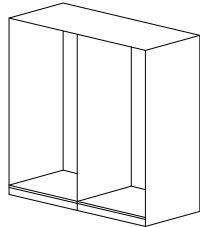
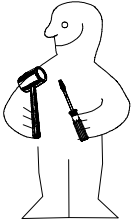


980890

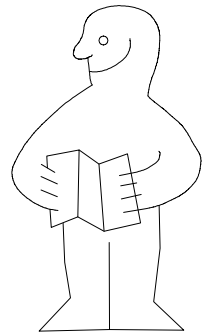
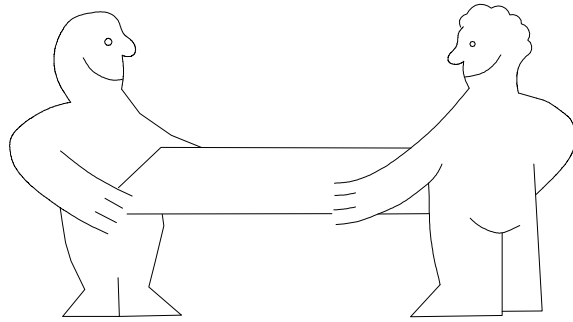
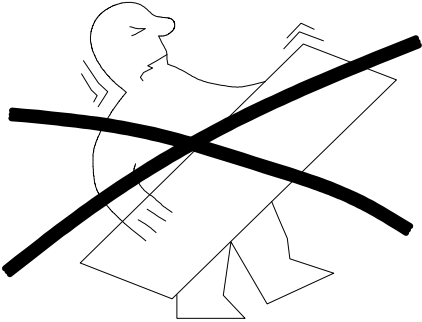
1.



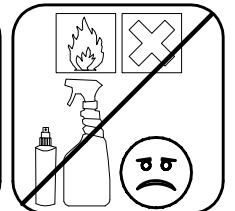
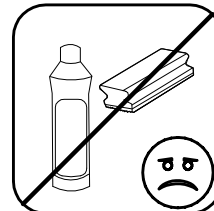
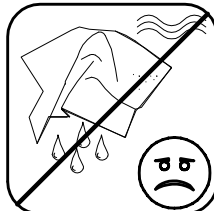
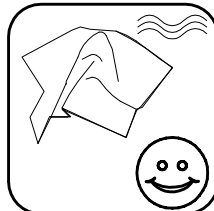
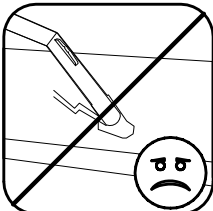
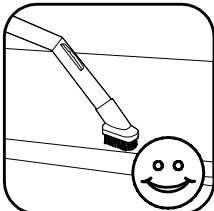
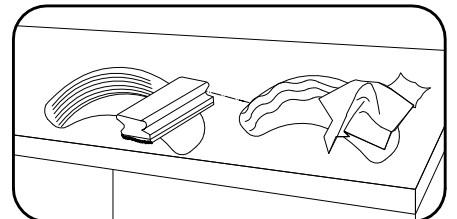
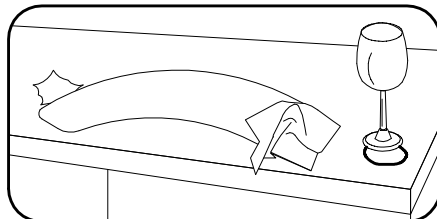
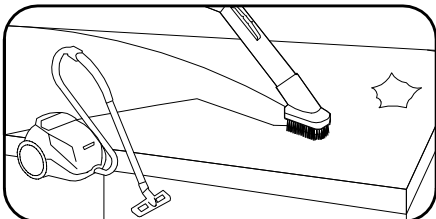
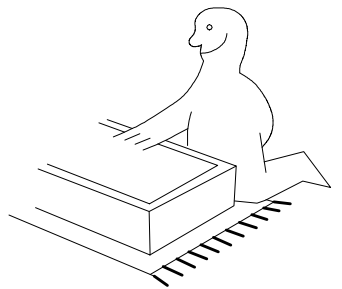
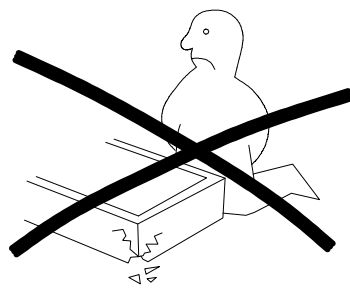
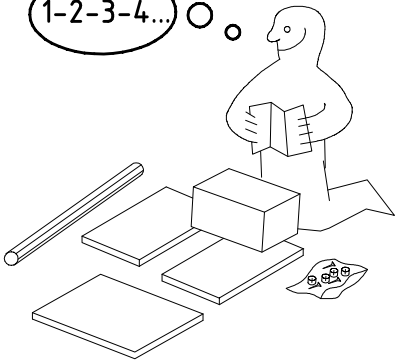
2.



NSP 270/315



1-2-3-4... ○

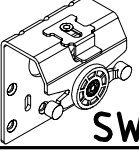
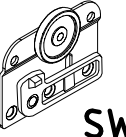




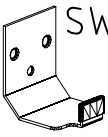
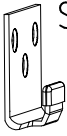
980890

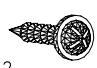
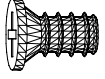
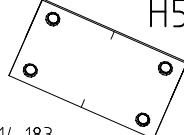
11.12.13 / 21.04.18

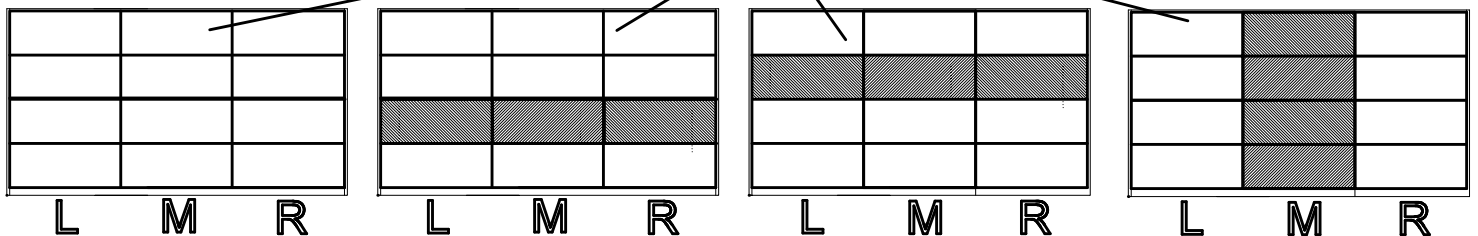
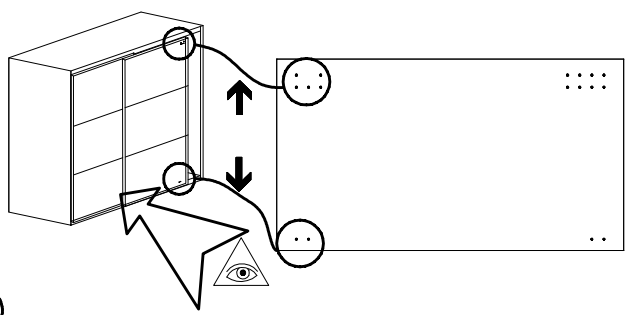
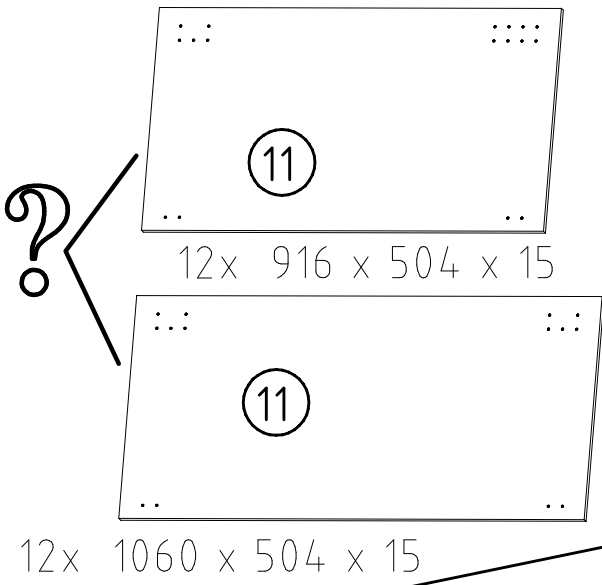
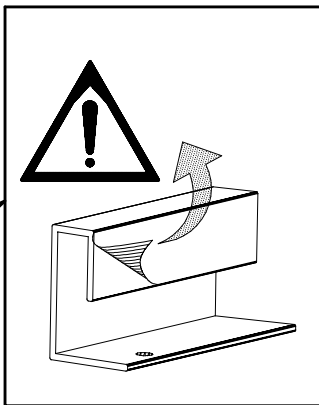
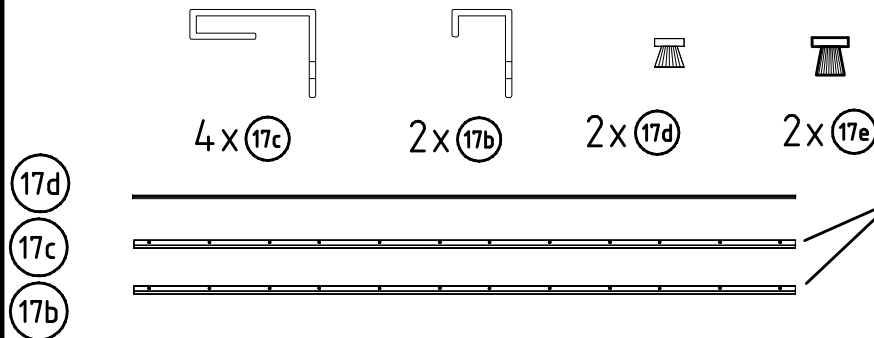
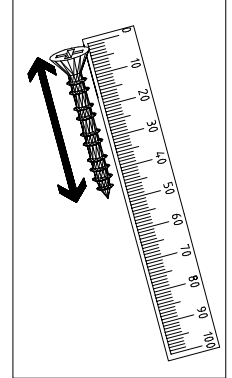
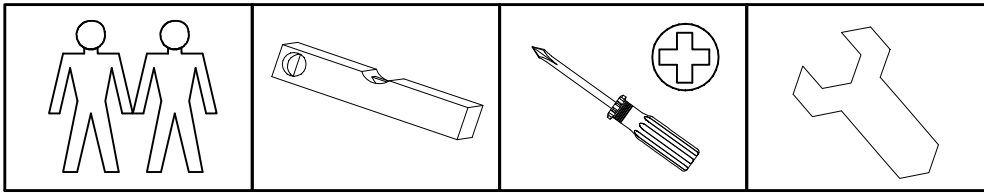
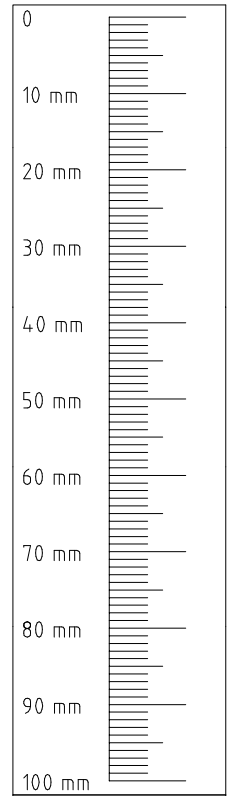
04 18

1/8

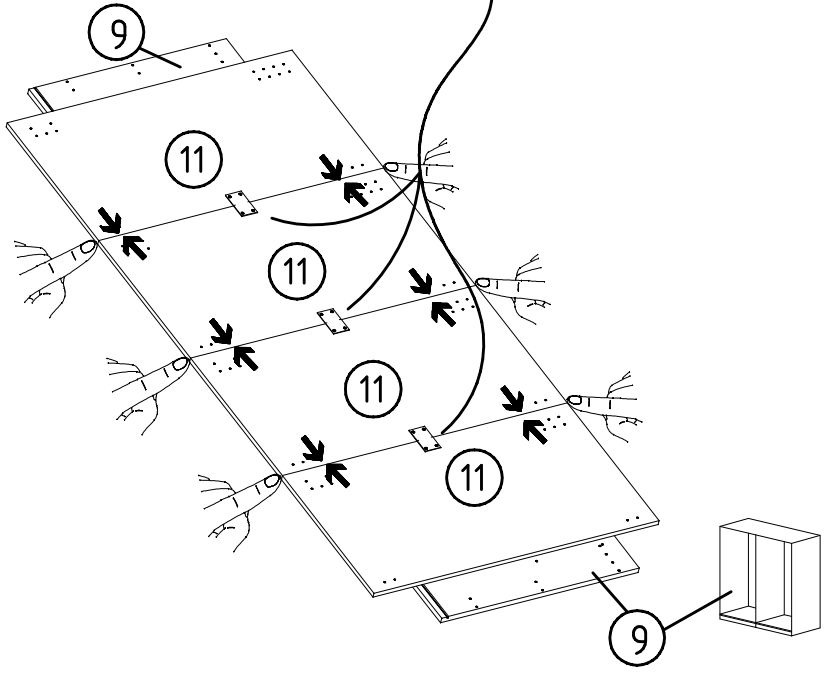
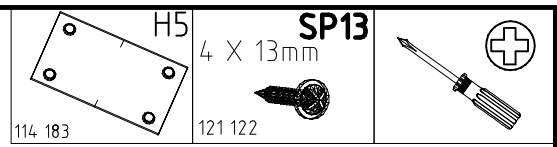
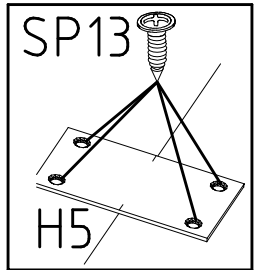
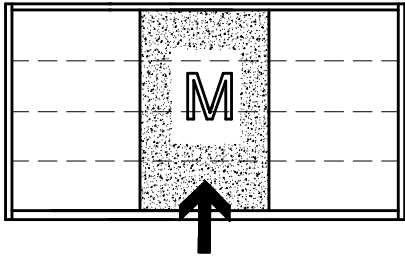
 SWH1	2x
 SWH2	2x
 SWH3	2x

SWH-D 	2x
SWH 6 	2x
SWH 7 	4x

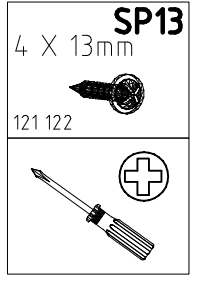
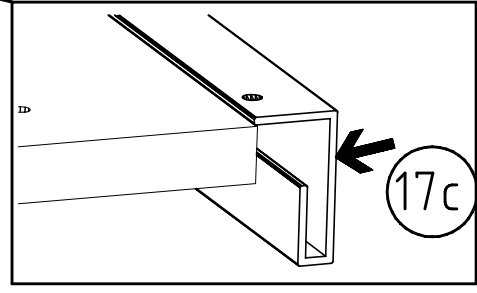
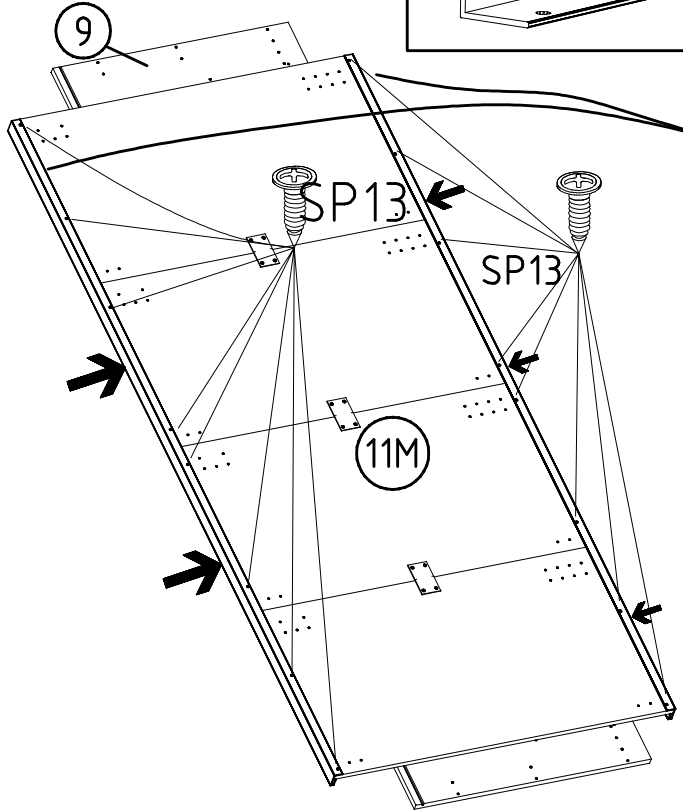
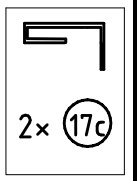
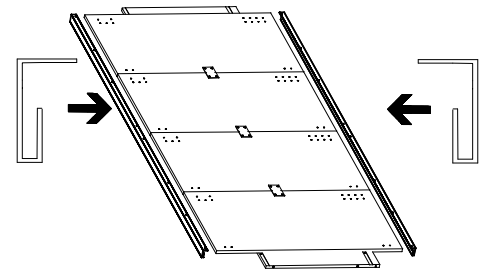
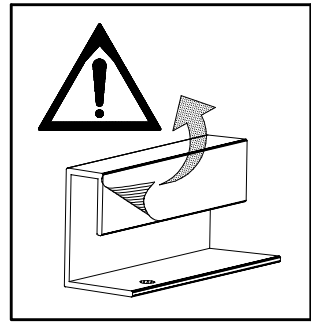
4 X 13mm SP13  121 122	90x
6,3 x 10,5 mm T2  111 030	34x
H5  114 183	6x

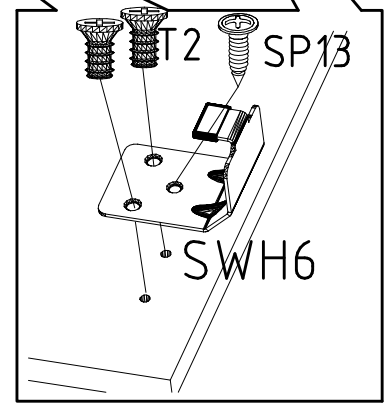
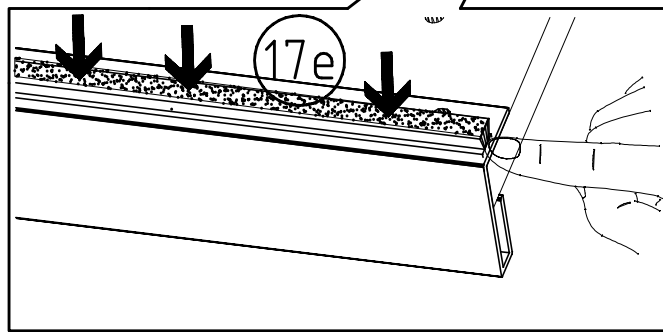
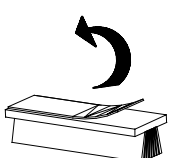
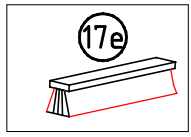
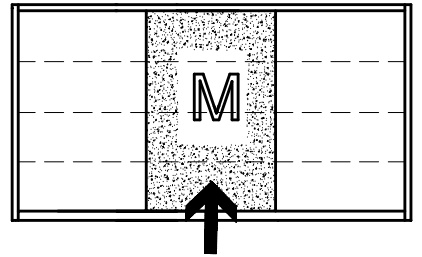
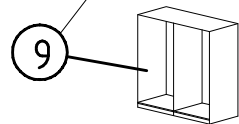
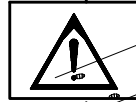
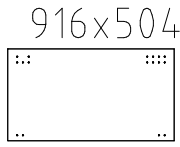
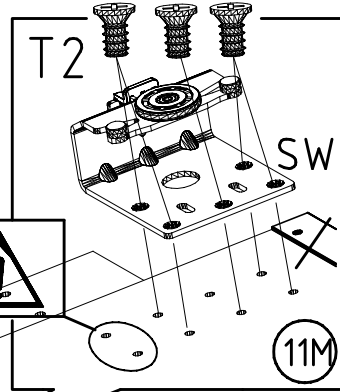
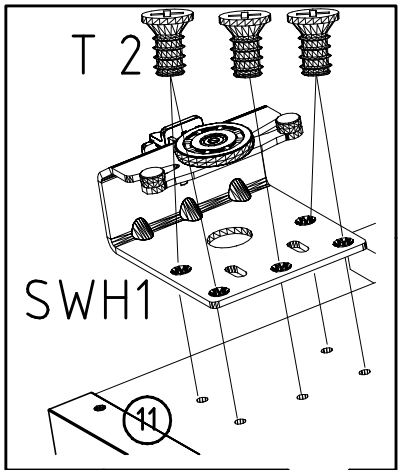
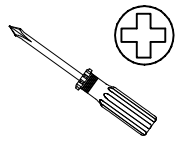
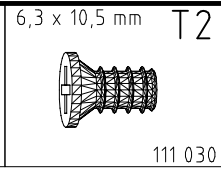
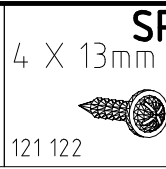
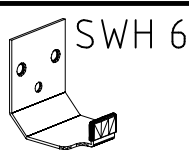
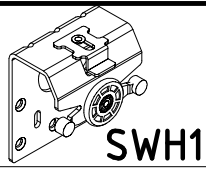


1

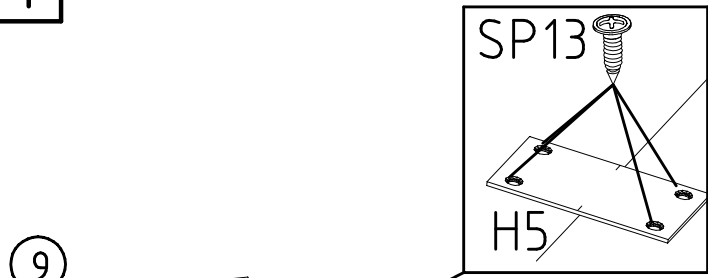


2

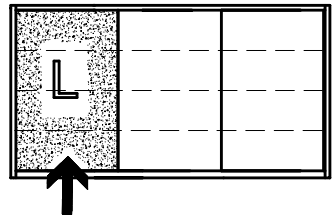
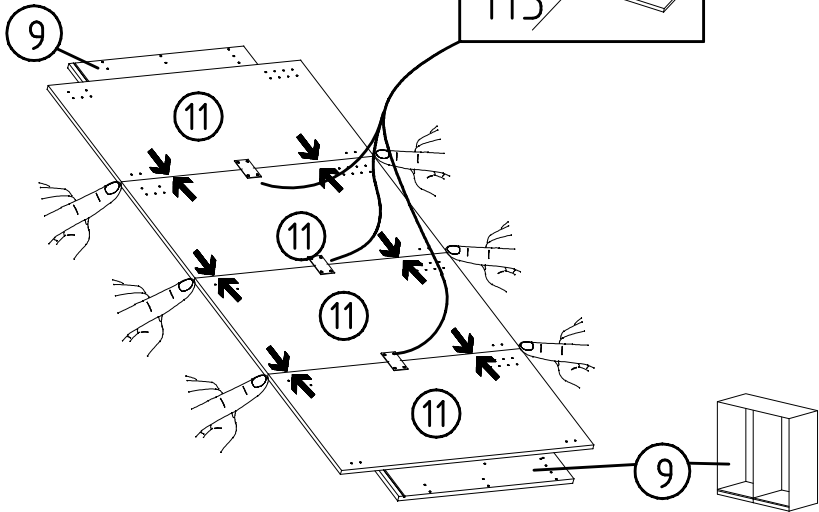




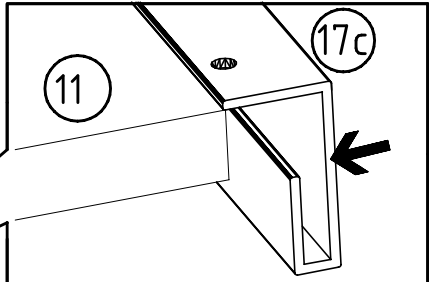
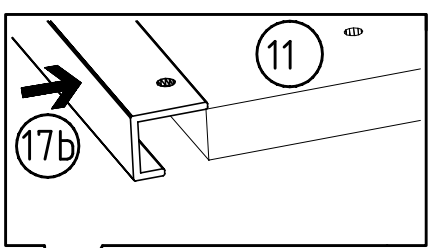
4



H5 4 X 13mm SP13
 114 183 121 122

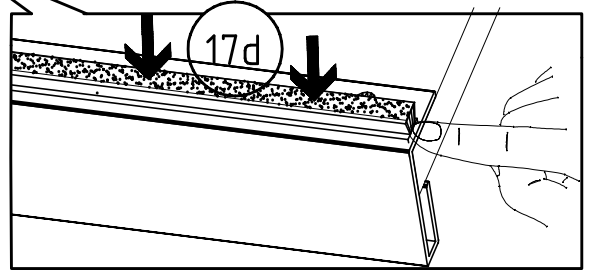
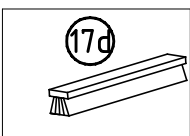
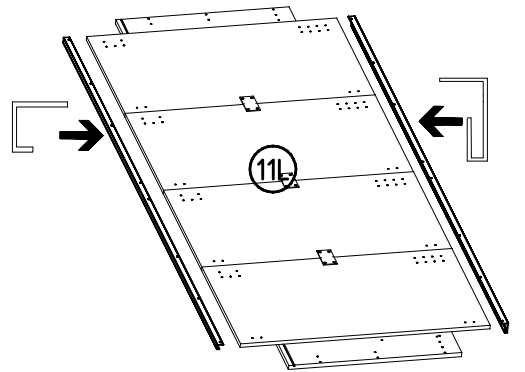
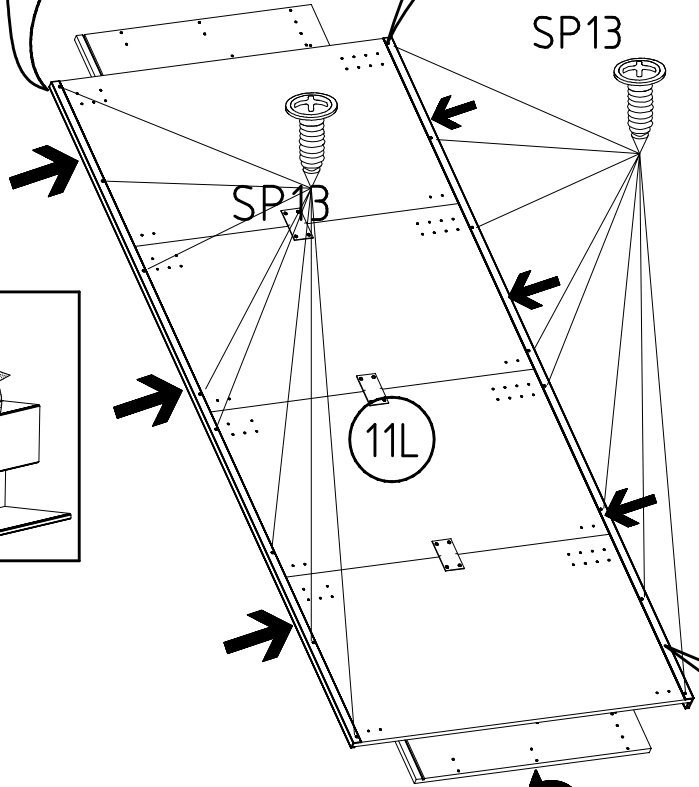
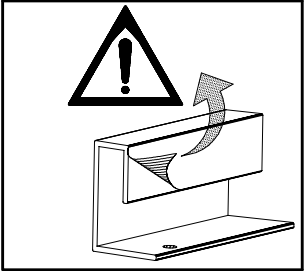


5

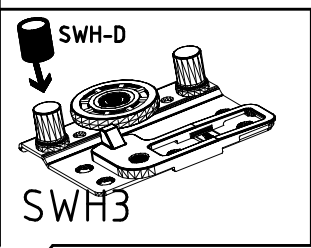
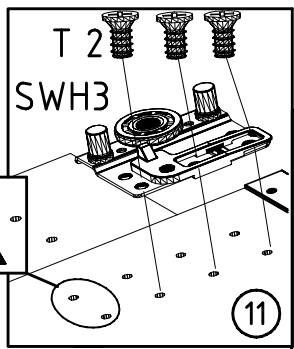
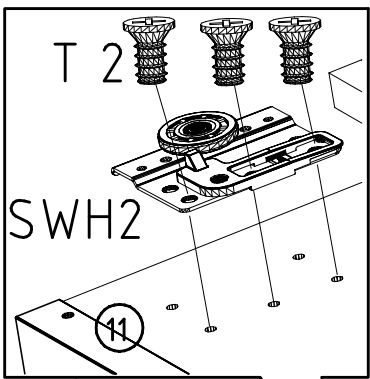


4 X 13mm SP13
 121 122

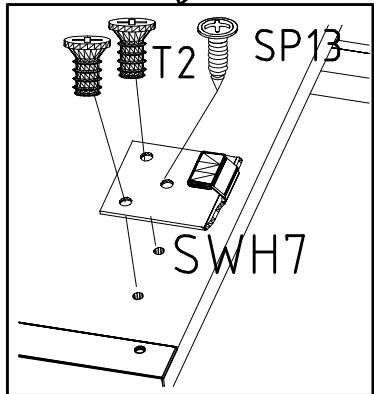
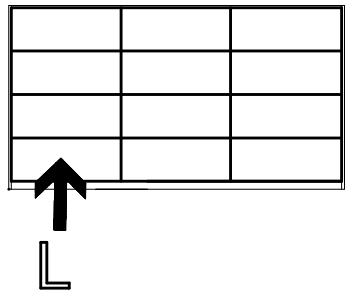
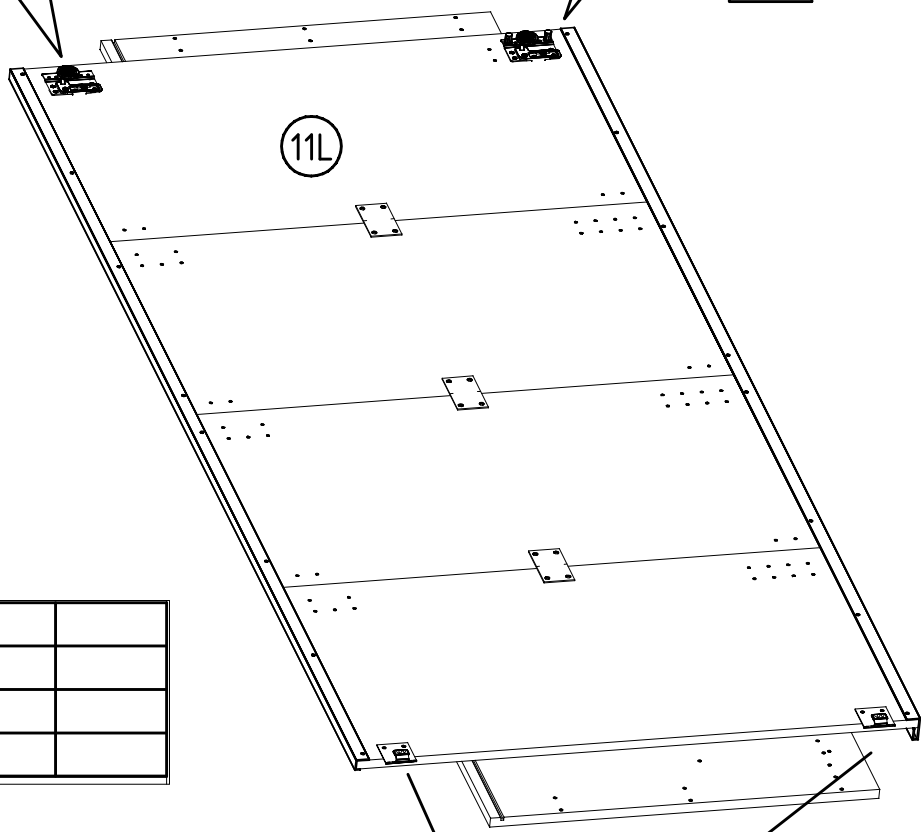
1x 17c 1x 17b



6

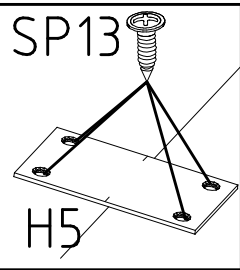
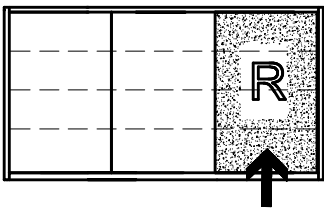



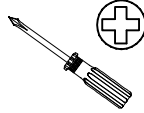
916x504

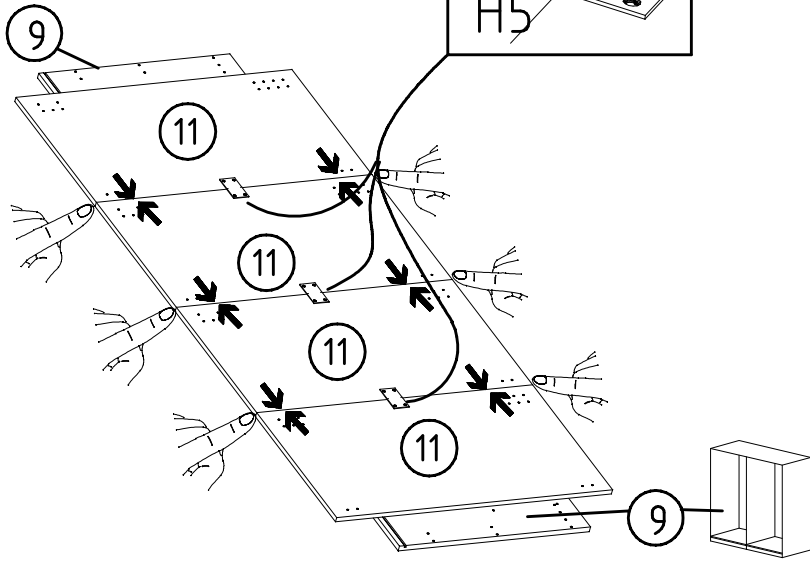


SWH2	SWH3
SWH-D	SWH7
6,3 x 10,5 mm T2	4 X 13mm SP13
111 030	121 122

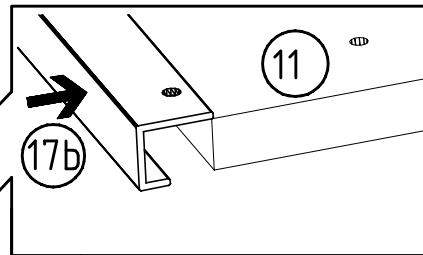
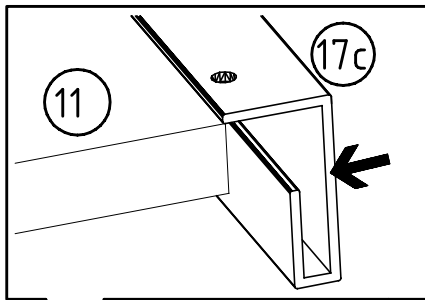
7


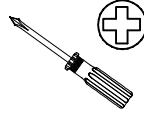


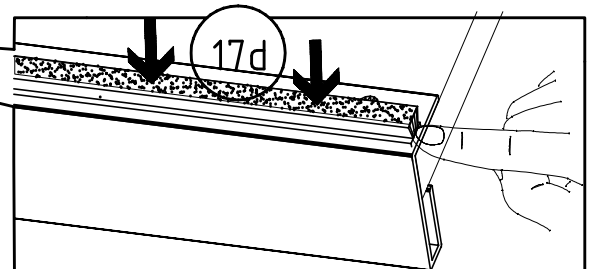
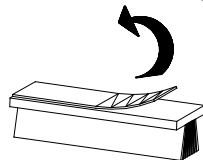
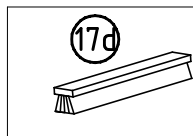
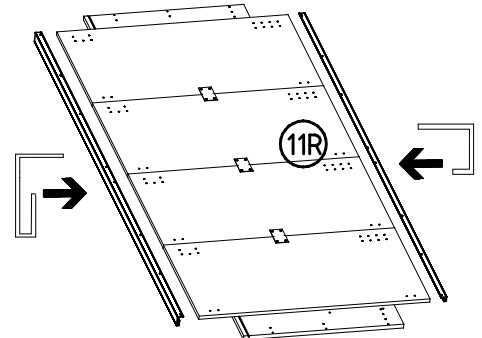
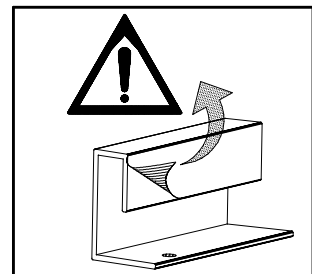
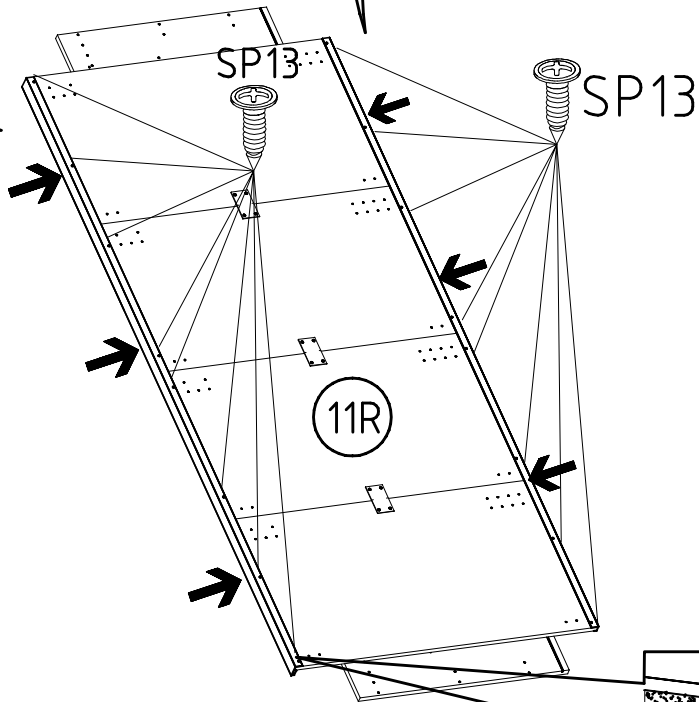
H5 4 X 13mm SP13
 114 183 121 122



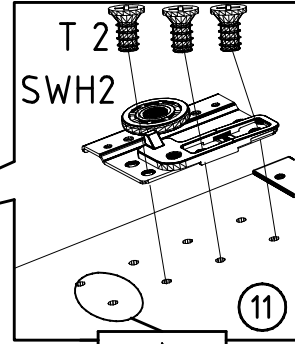
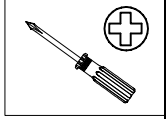
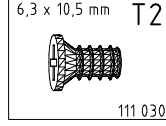
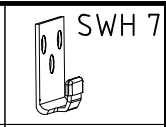
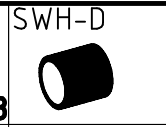
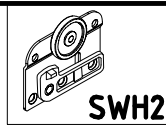
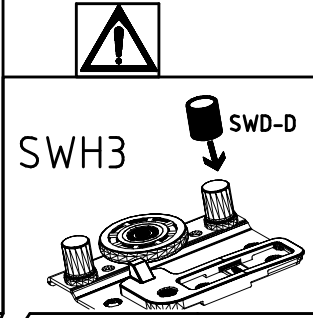
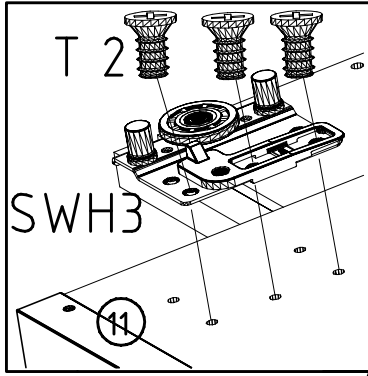


8

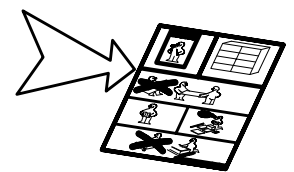
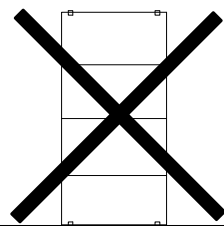
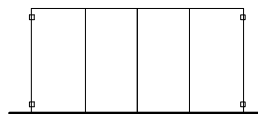
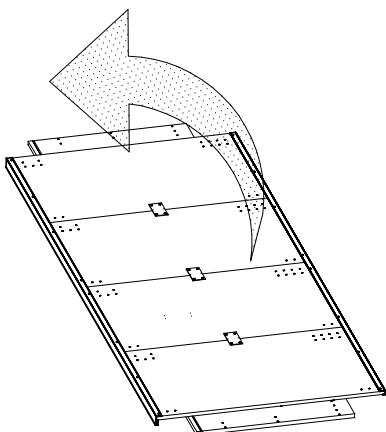
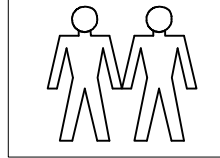
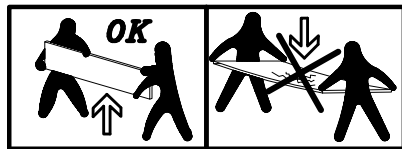
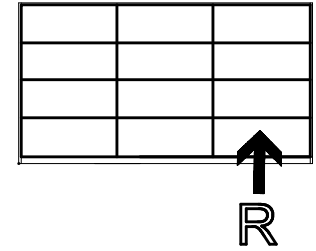
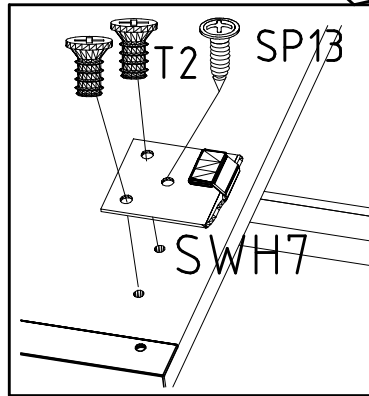
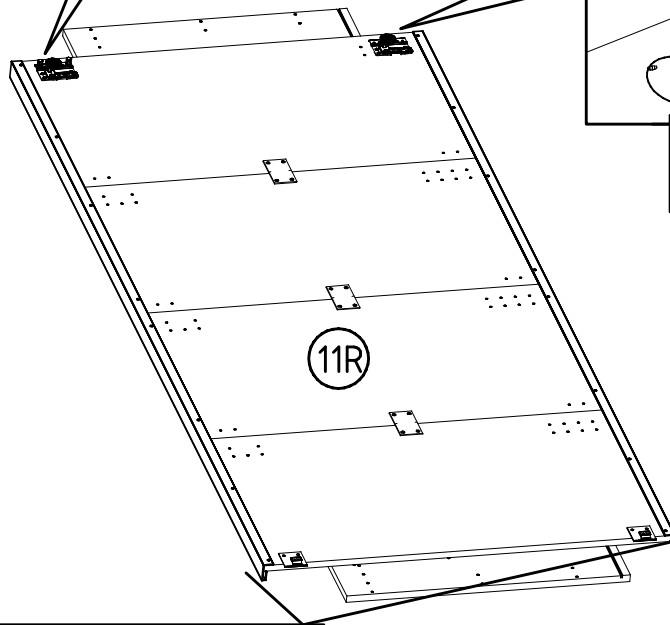
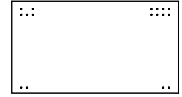


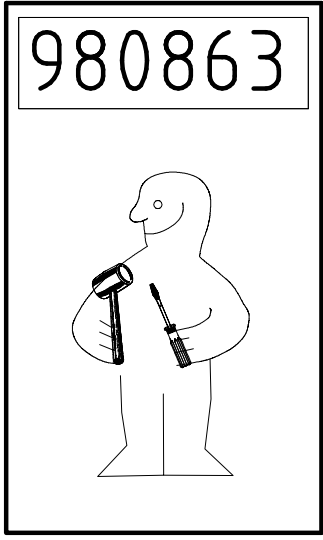
4 X 13mm SP13
 121 122


 1x (17c) 1x (17b)



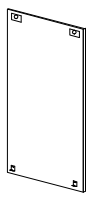


916x504

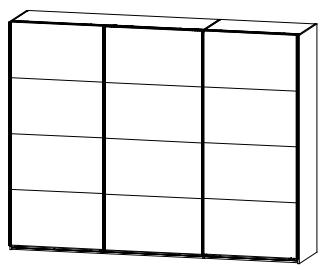
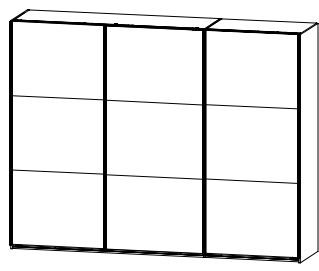
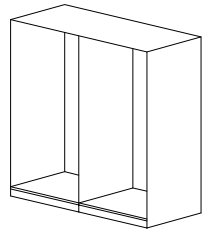




1.

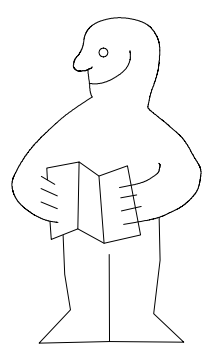
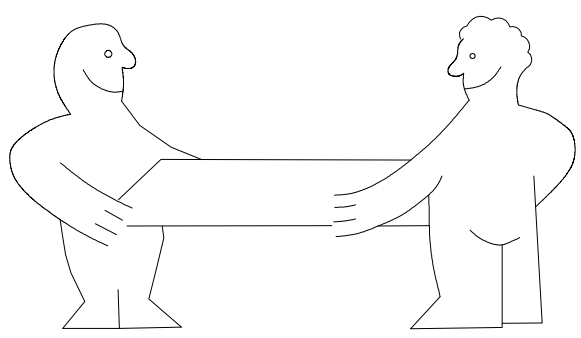
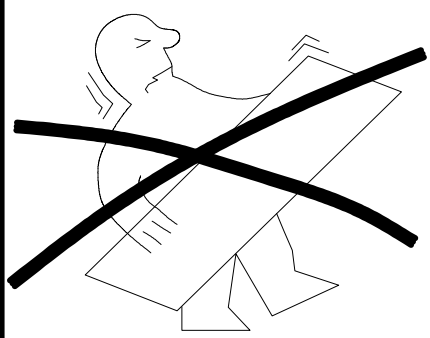


2.

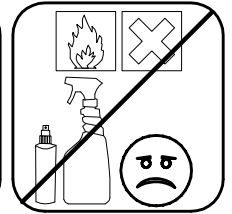
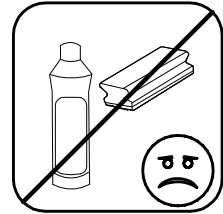
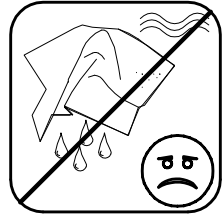
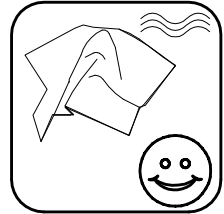
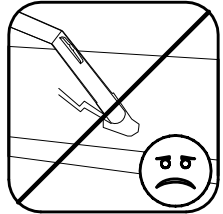
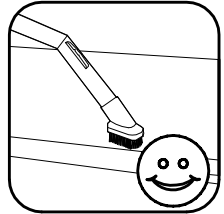
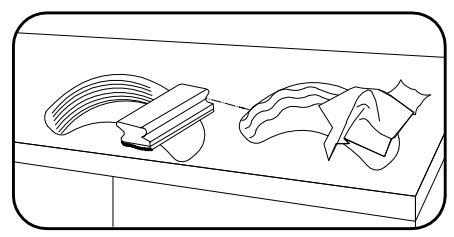
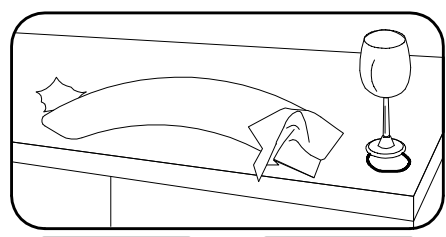
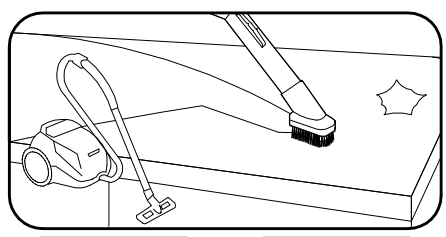
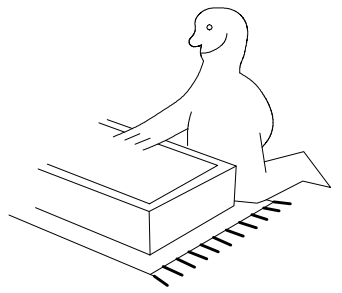
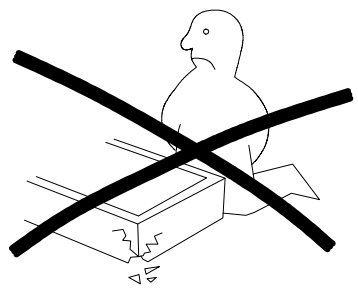
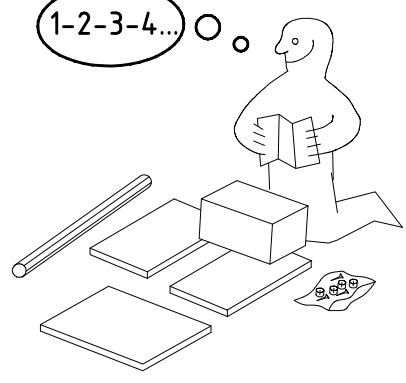


270 3tlg-3trg

270 4tlg-3trg



1-2-3-4... ○

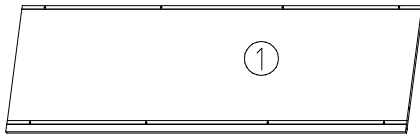
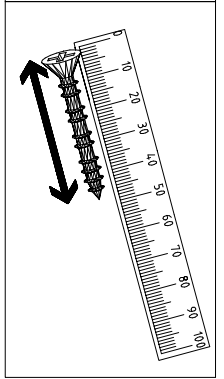
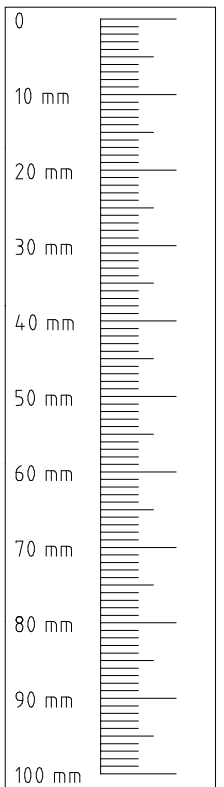
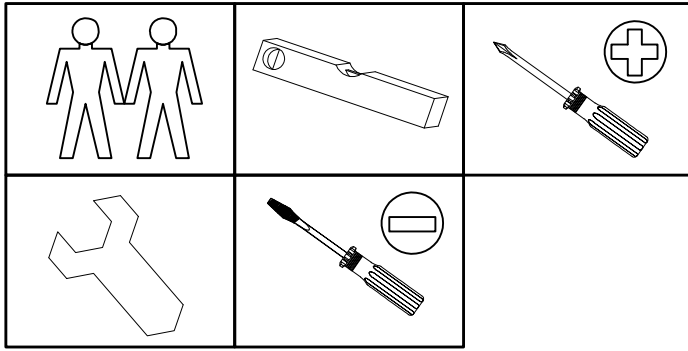


980863

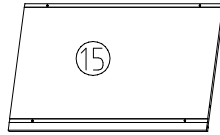
11.12.13 / 20.11.17

11 17

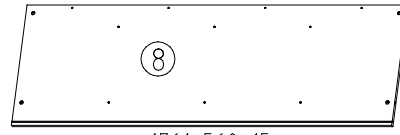
1 / 12



1761x560x15



873x560x15



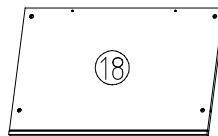
1761x560x15



1761x32x15



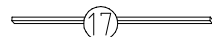
873x32x15



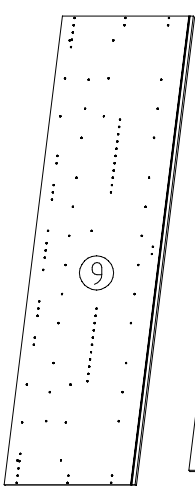
873x560x15



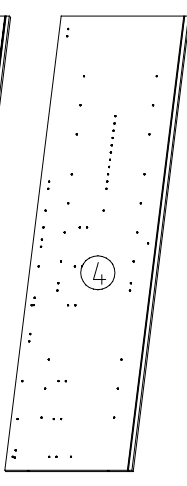
1761x32x15



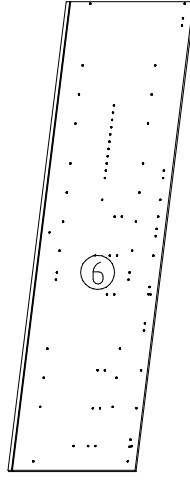
873x32x15



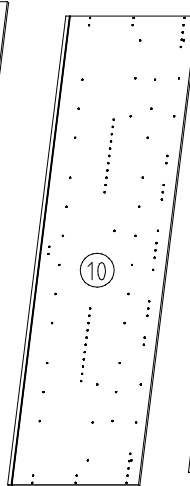
064x577x15



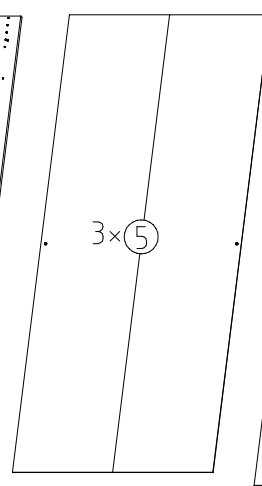
2001x560x15



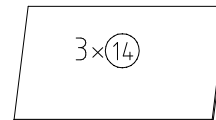
2064x560x15



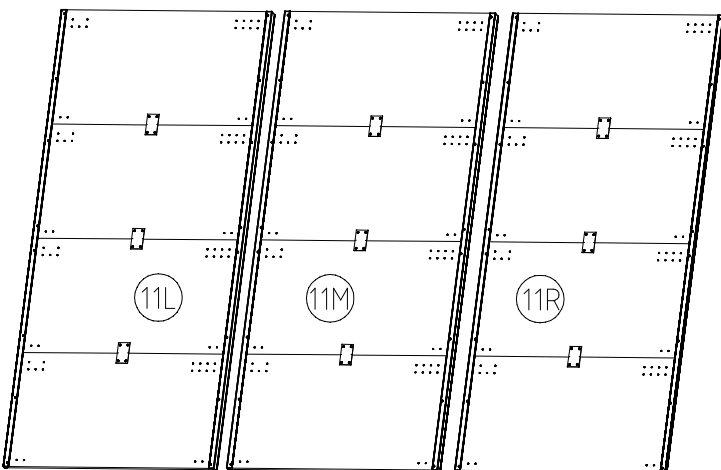
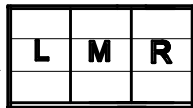
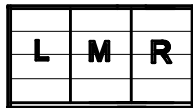
2064x577x15



2015x882x2,5



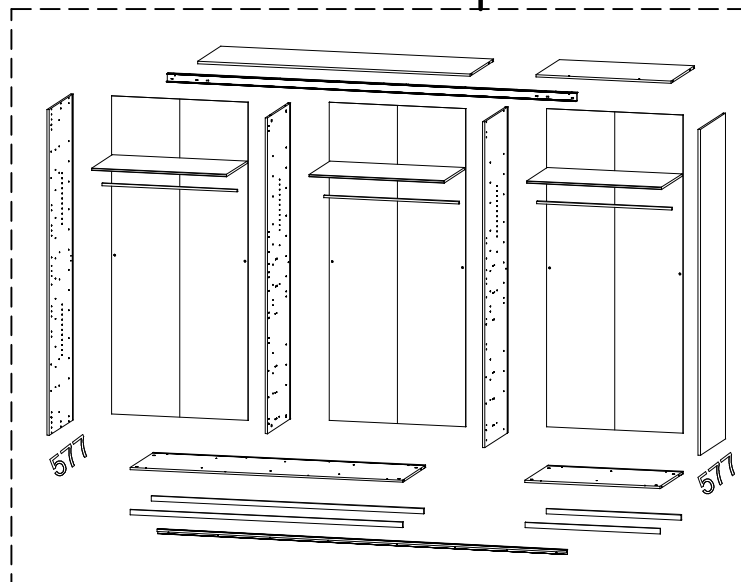
873x500x18



2018x916x15

2018x916x15

2018x916x15

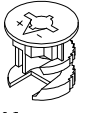
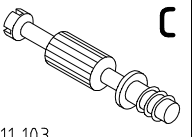
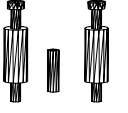


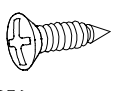
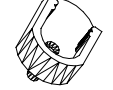
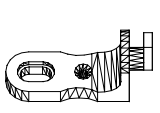
980863

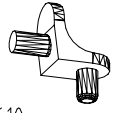

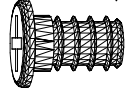
11.12.13 / 20.11.17


11 17

2 / 12

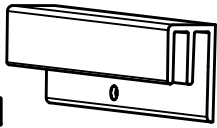
 111 102	A	20x
 111 103	C	12x
	F3	4x

3,5 x 15 mm  121 370	G1	12x
 117 001	K1	6x
 111 174	J1	6x

 111 610	L7	12x
3,5 x 35 mm  121 375	G14	16x
M6 x 11 mm  121 181	T6	6x

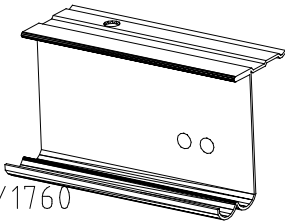
 112 402	K20	3x
--	------------	----

1x
FPN

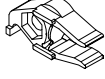
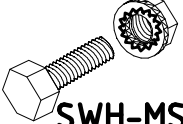
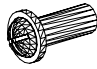
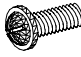


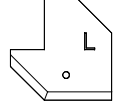
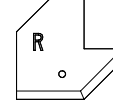
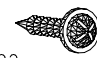
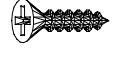
1316/1760
2204/2648/3092/3536


1x
LP

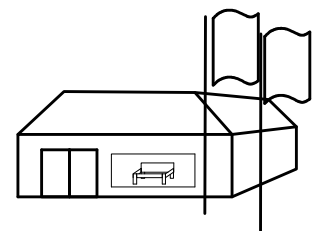
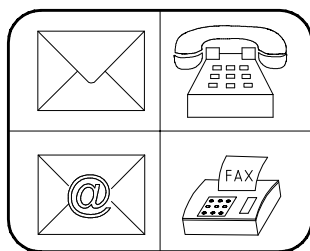
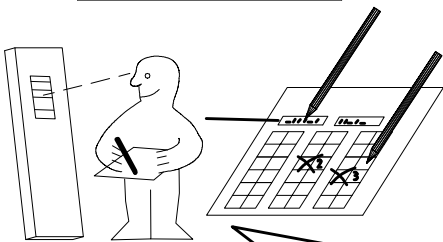
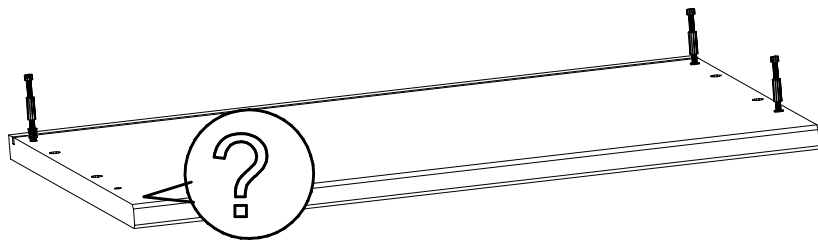
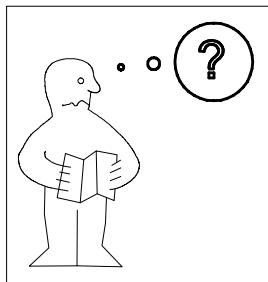


1316/1760
2204/2648/3092/3536
ST

 SWH-ST		2x
 SWH-MS		2x
M4 x 13 mm  121 xxx	GH13	7x
M4 x 10 mm  121 xxx	G43	7x

 SWH-SKL		1x
 SWH-SKR		1x
4 X 13mm  121 122	SP13	
3,5 x 22 mm  121 004	G24	10x

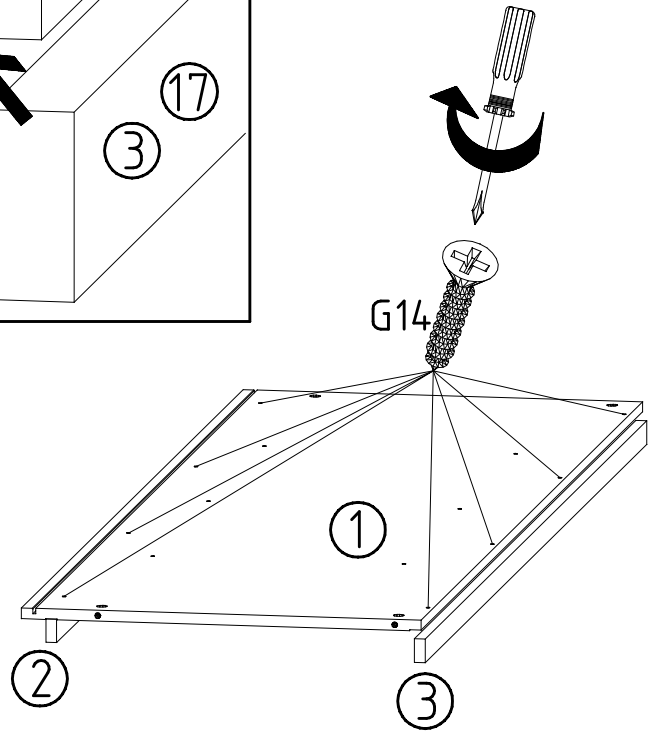
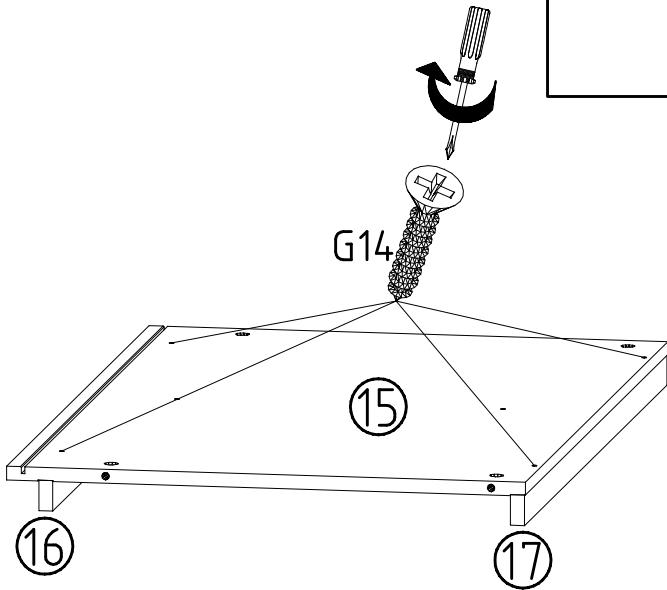
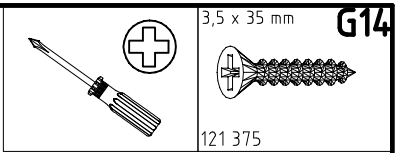
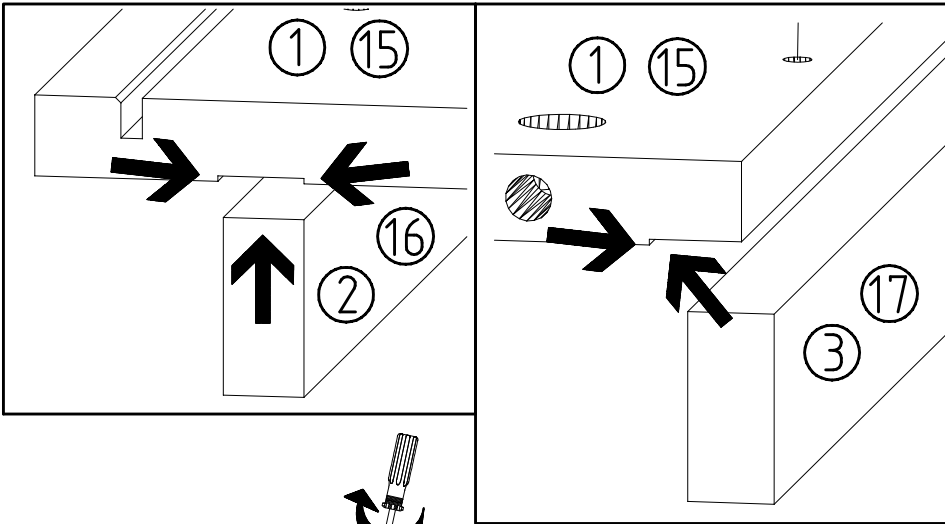
 SW-STM		1x
---	--	----



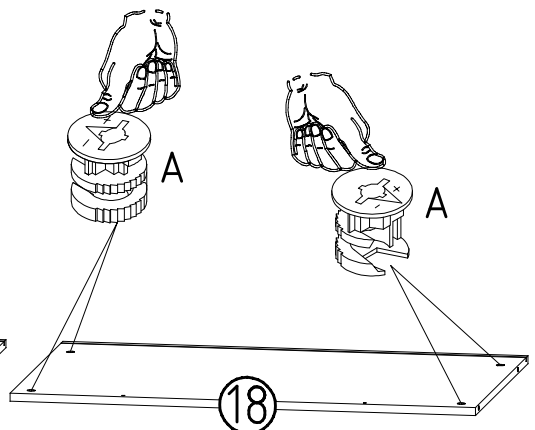
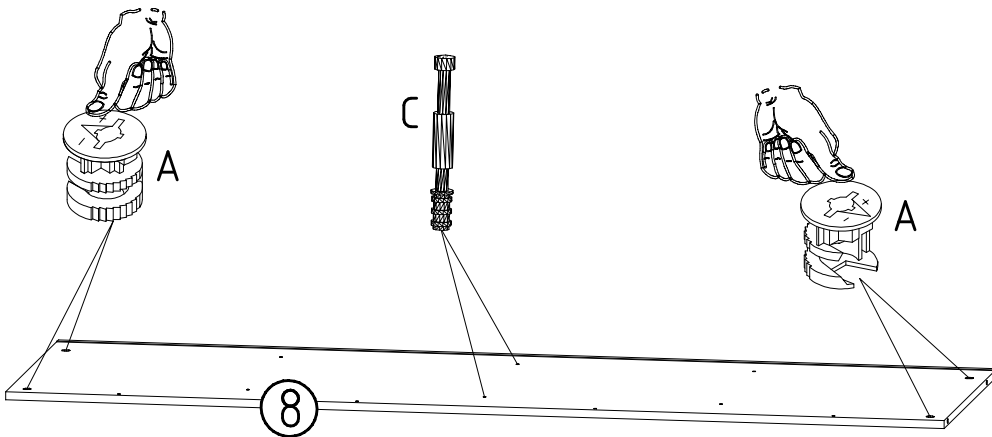
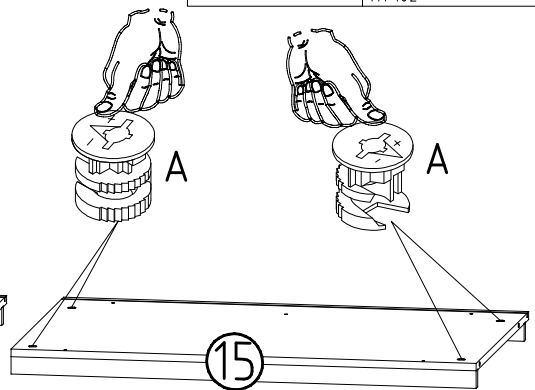
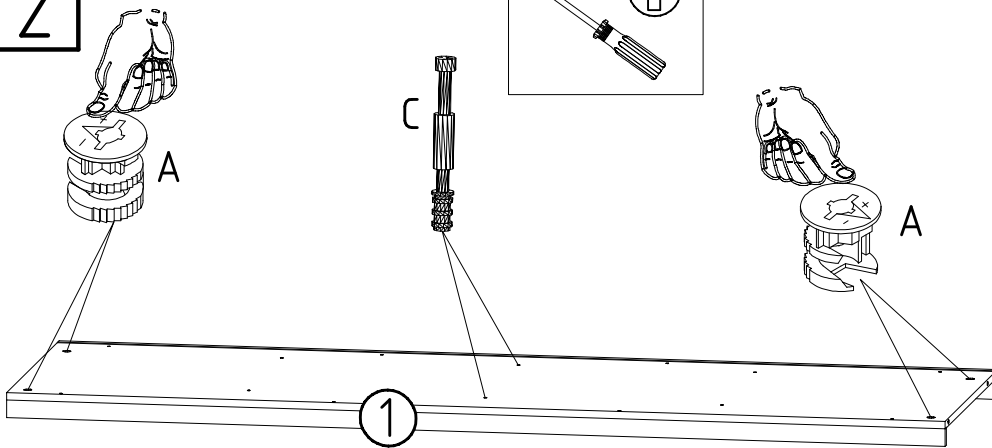
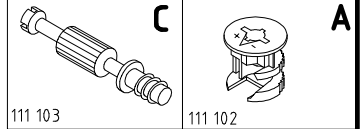
Auftrag/Order-No
No. de Commande

Kunde/Customer
Client

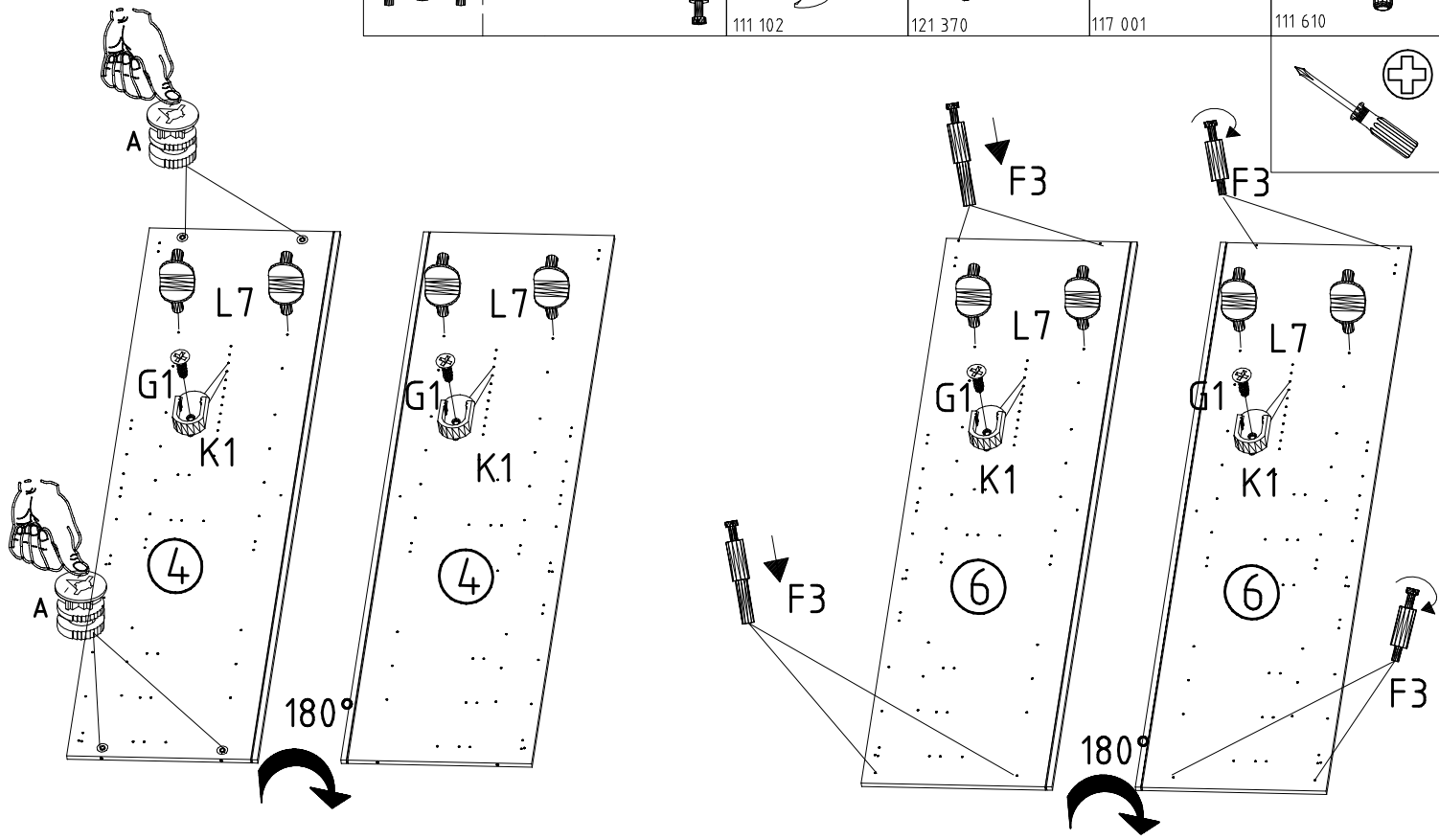
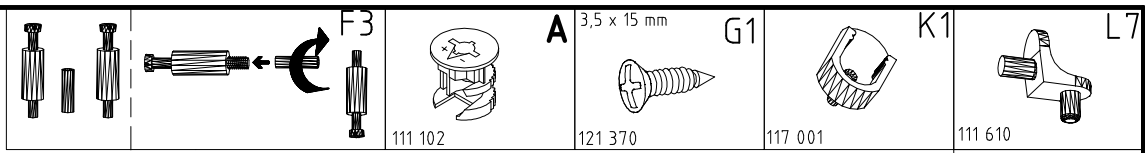
1



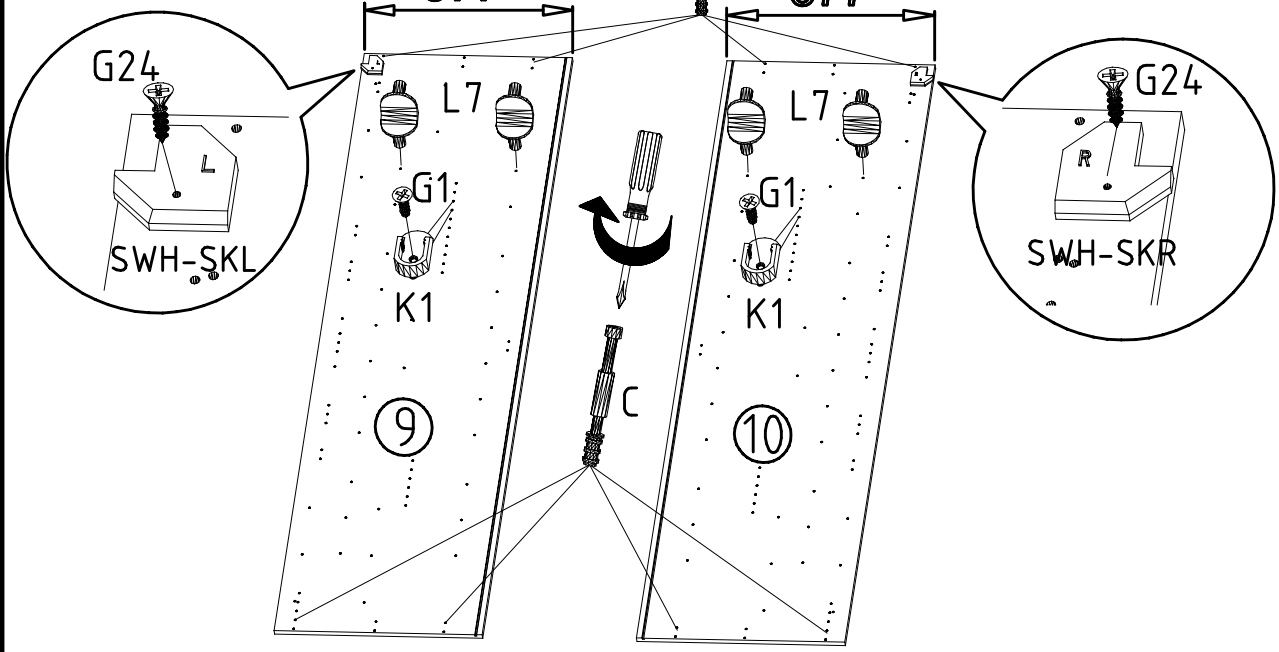
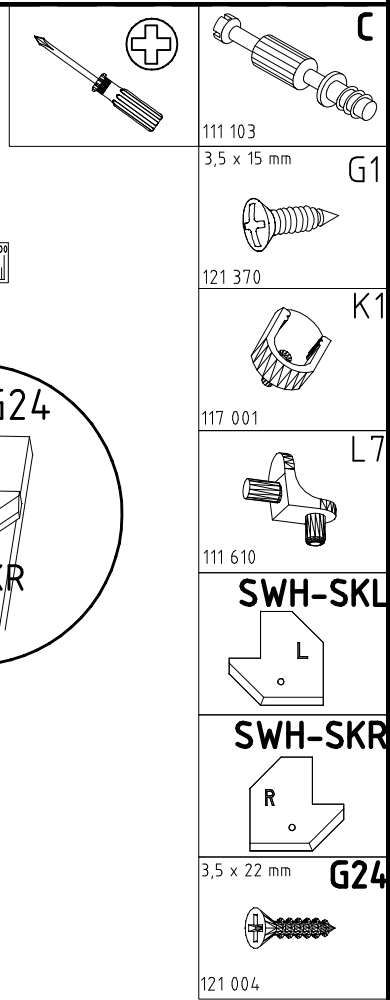
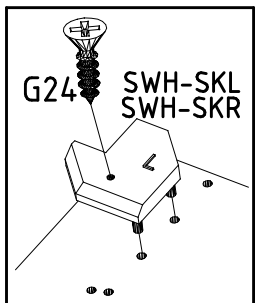
2



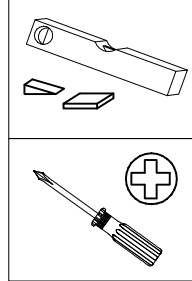
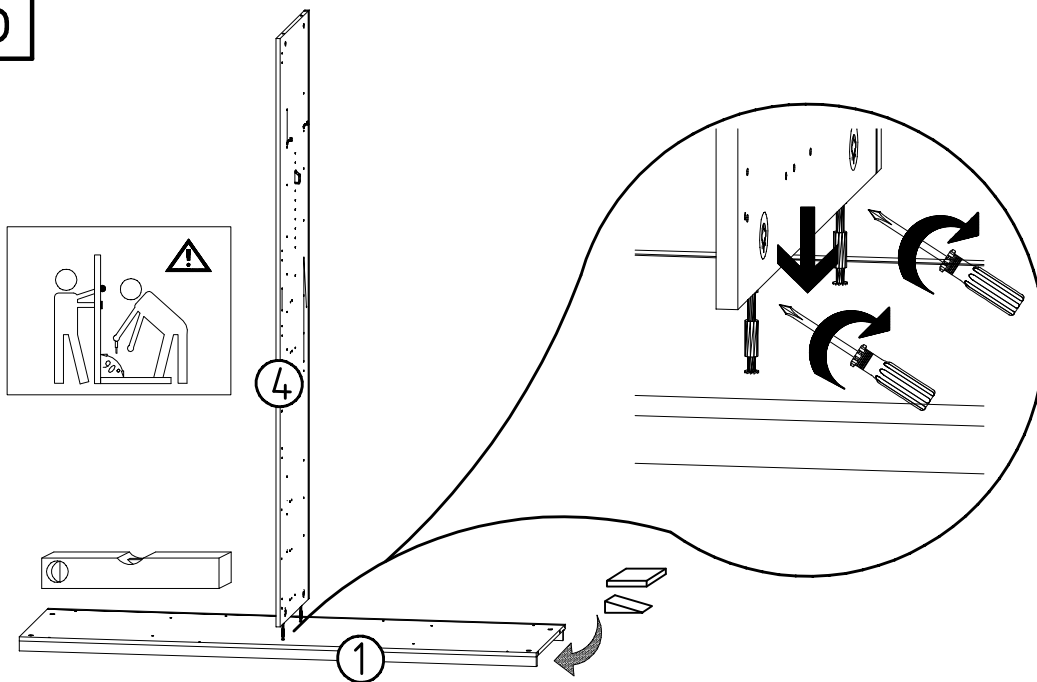
3



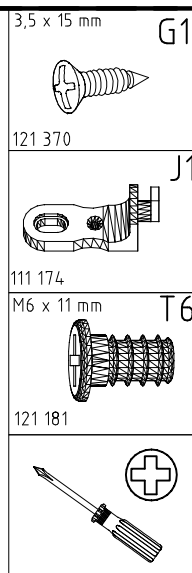
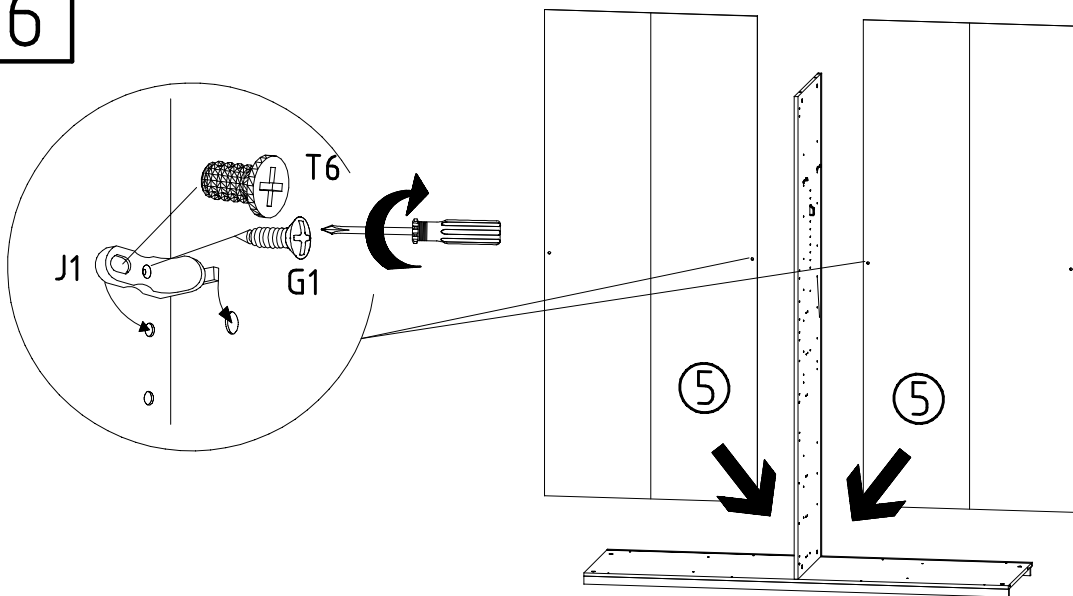
4



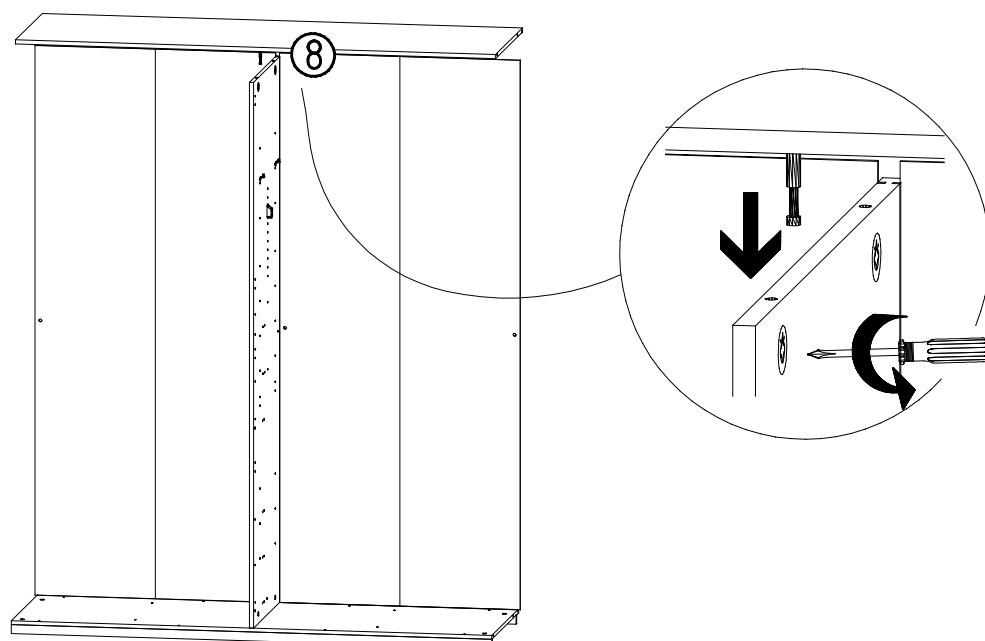
5



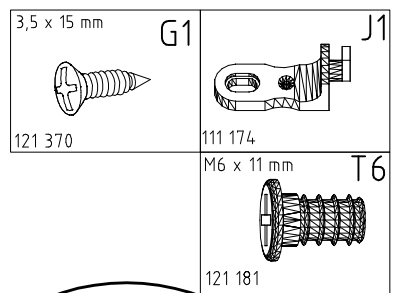
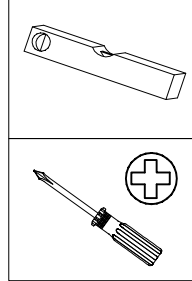
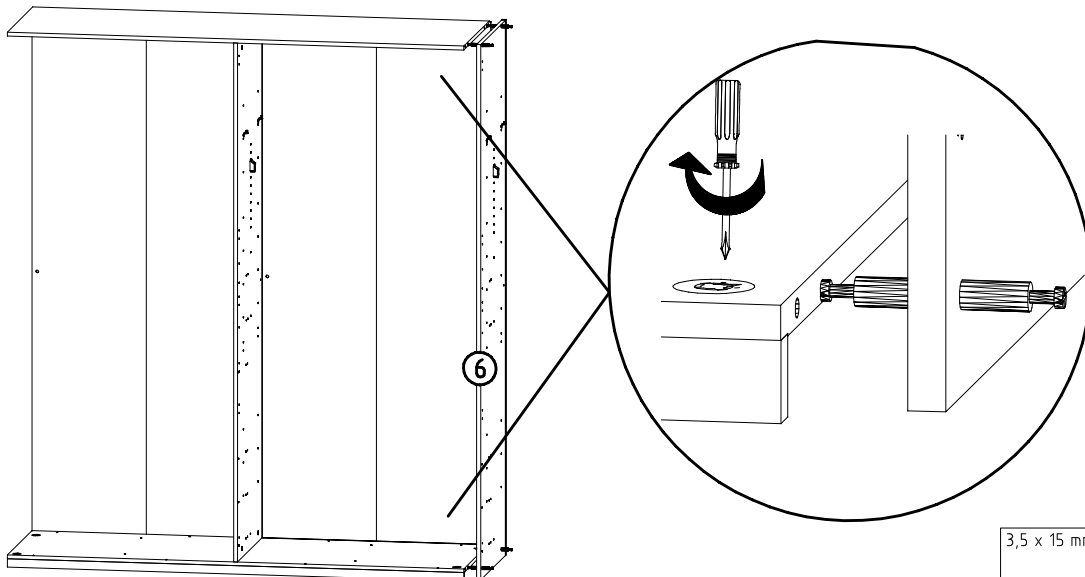
6



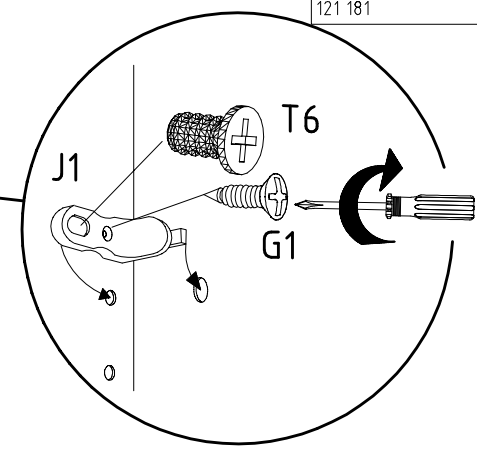
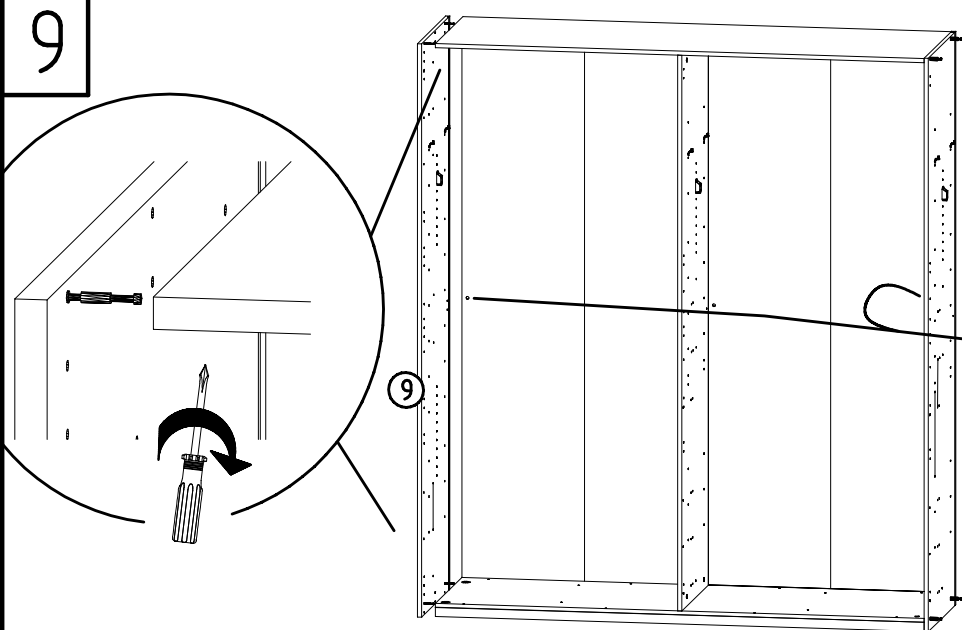
7



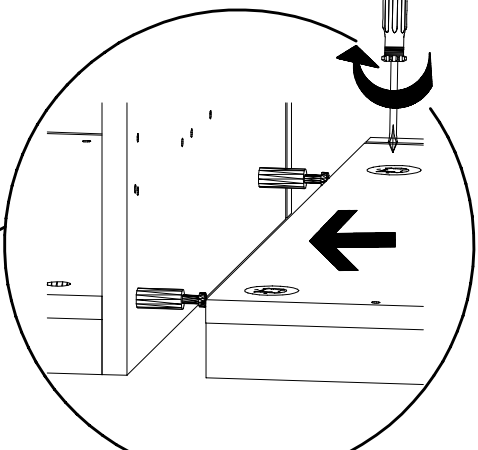
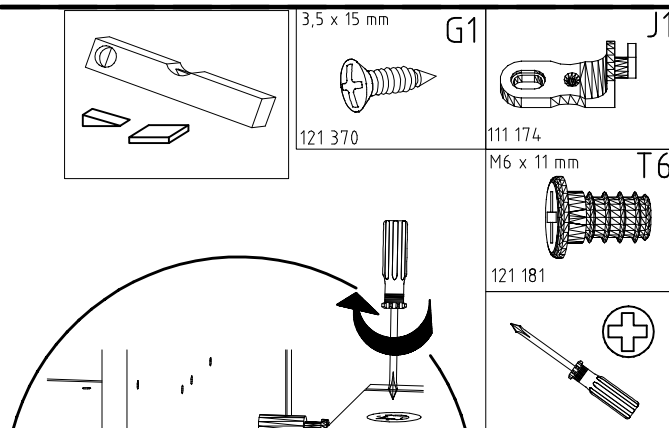
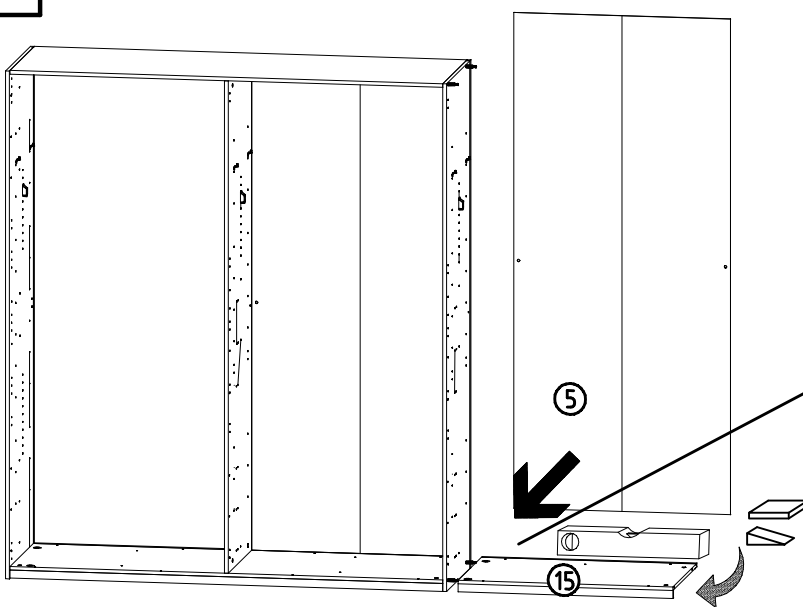
8



9



10



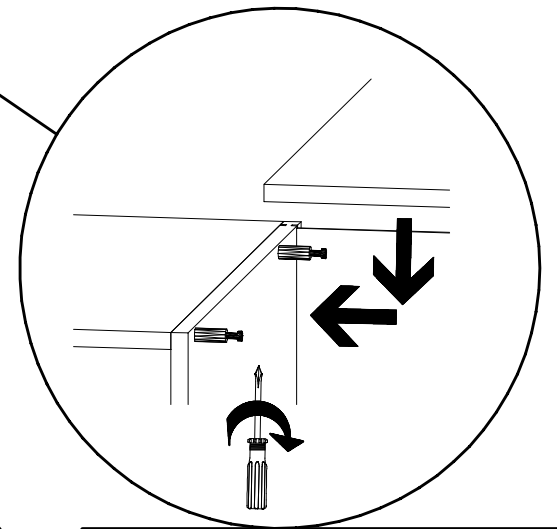
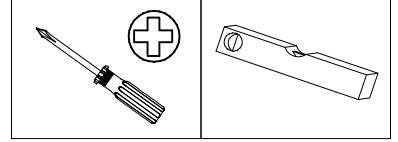
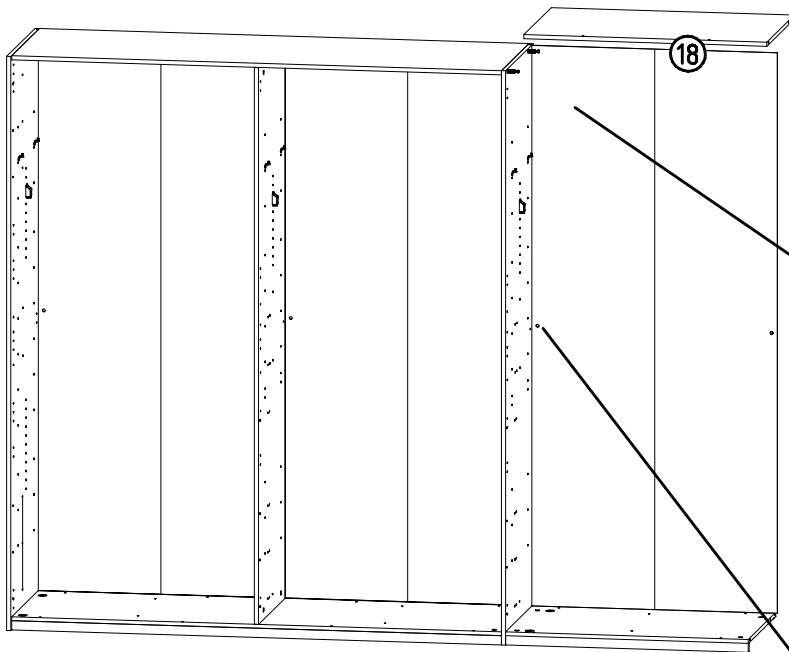
980863

11.12.13 / 20.11.17

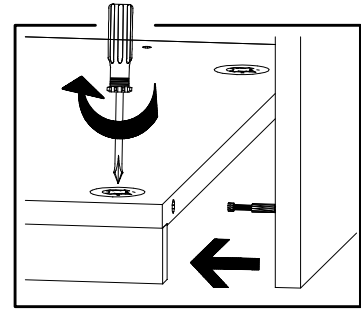
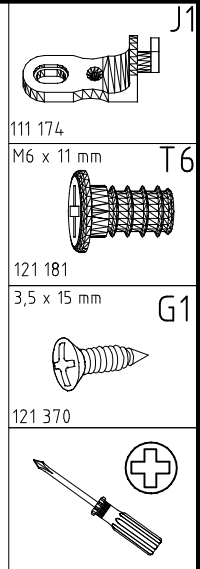
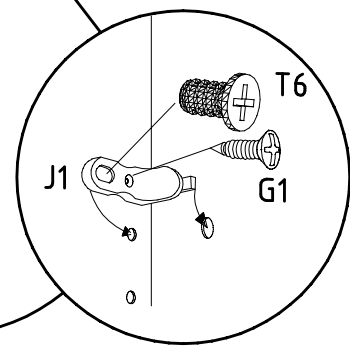
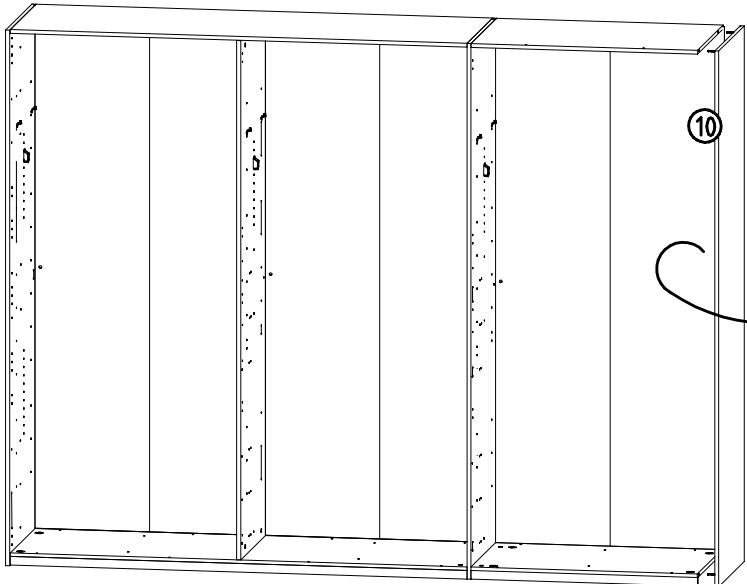
11 17

7 / 12

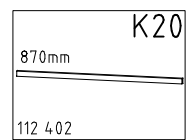
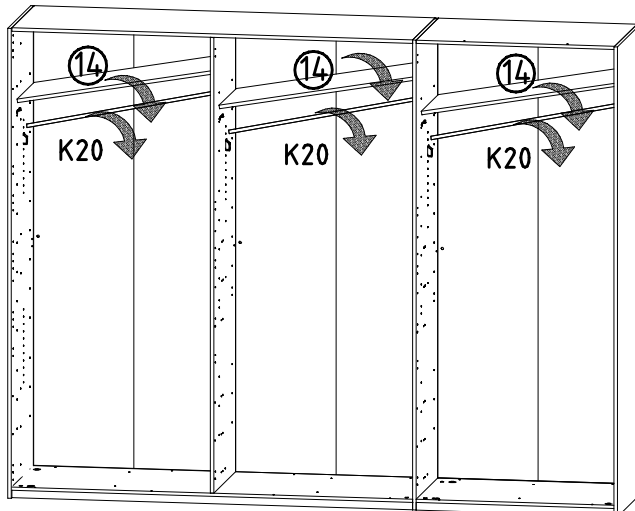
11



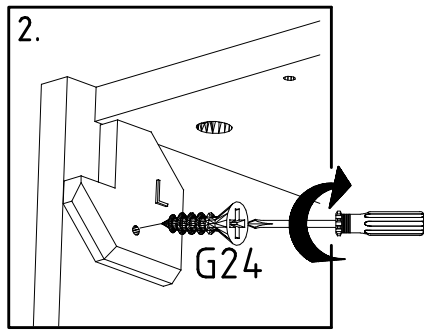
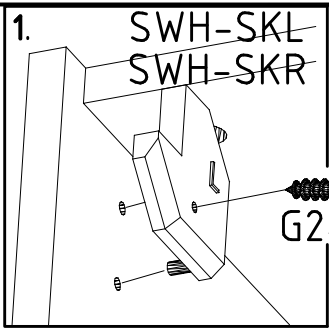
12



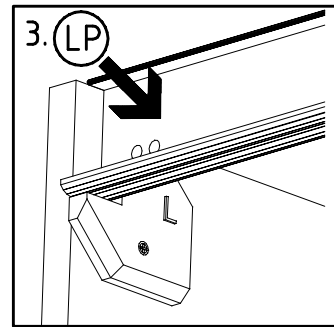
13



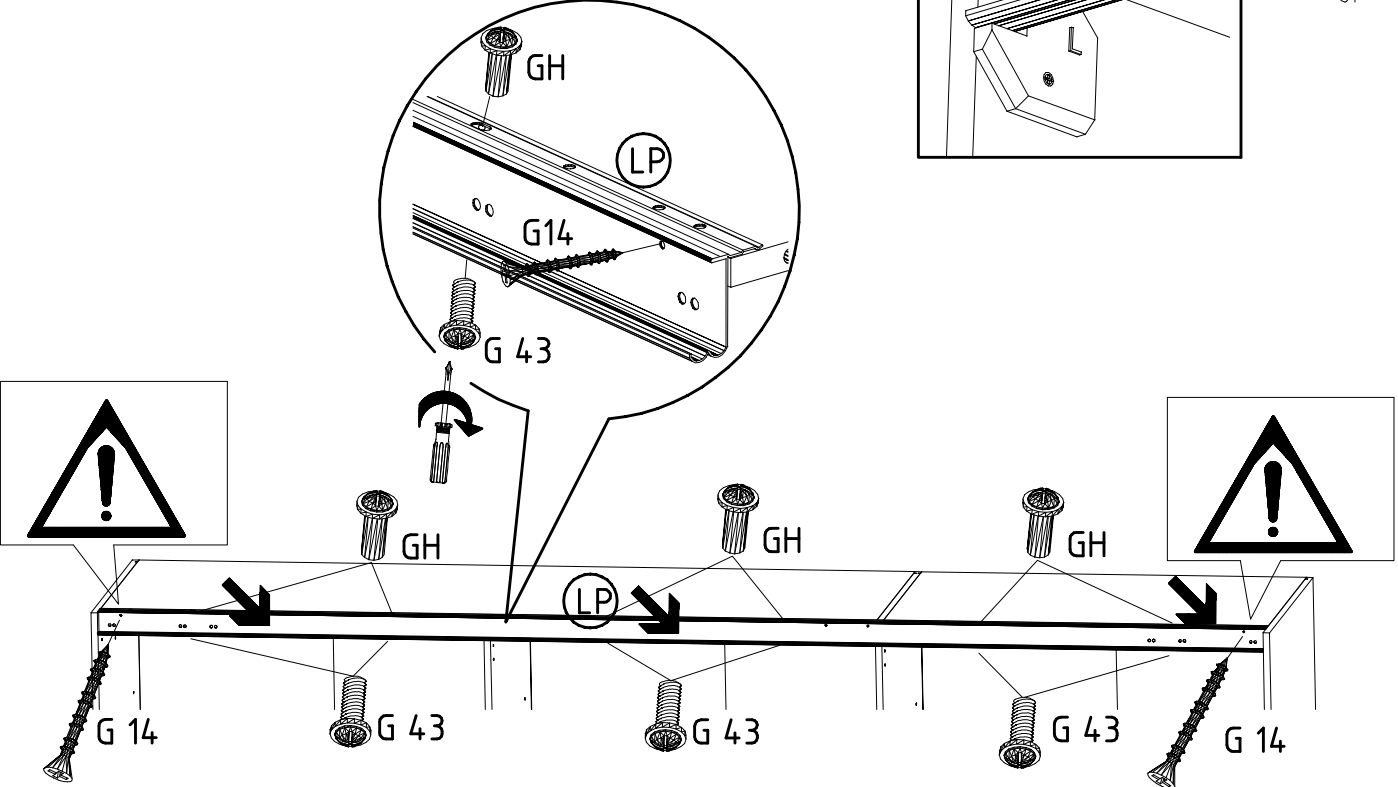
14



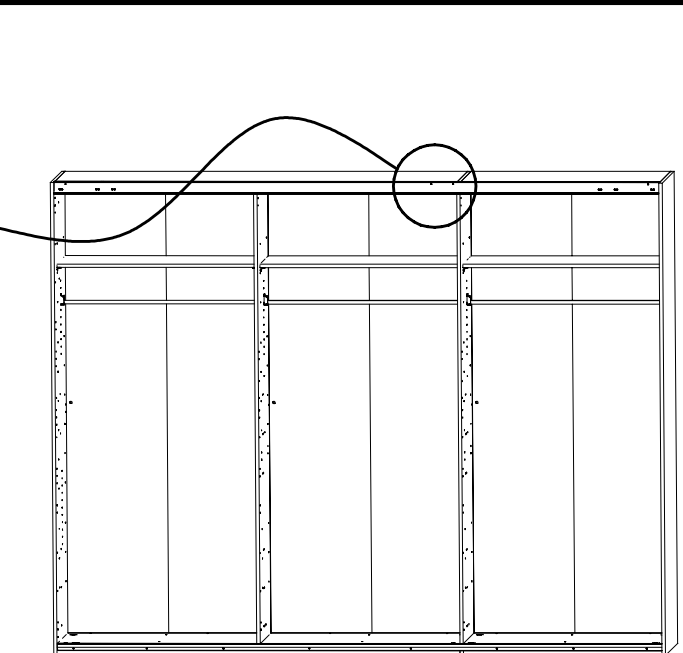
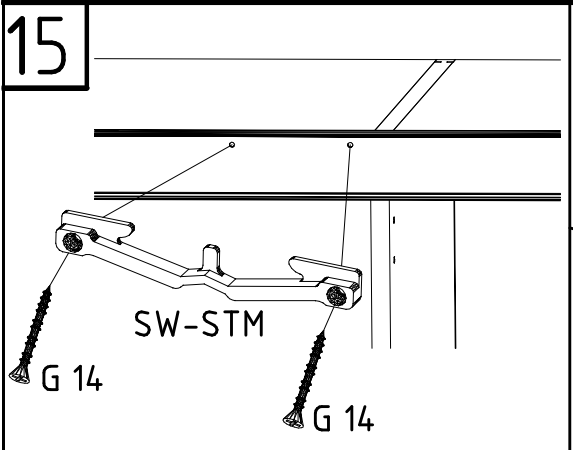
3,5 x 35 mm G14 121 375	M4 x 10 mm G43 121 xxx	M4 x 13 mm GH13 121 xxx
--------------------------------------	-------------------------------------	--------------------------------------



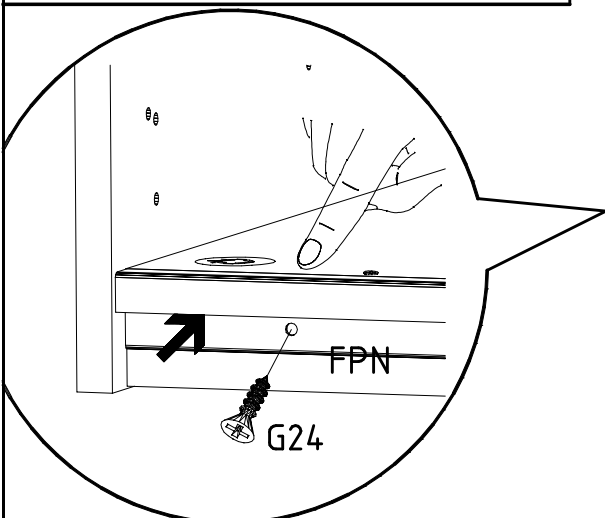
LP
1316/1760
2204/2648/3092/3536
ST



15



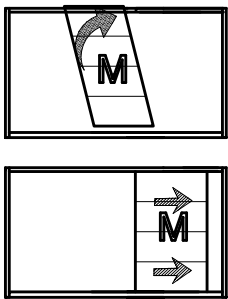
SW-STM
3,5 x 35 mm
G14
121 375



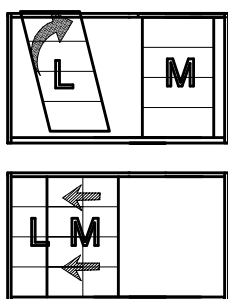
FPN
1316/1760
2204/2648/3092/3536

3,5 x 22 mm
G24
121 004

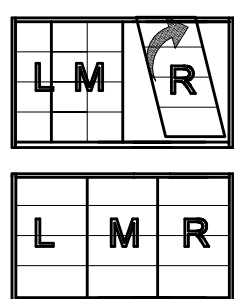
16



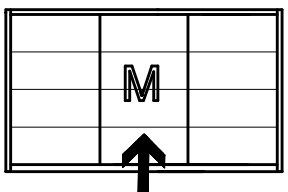
17



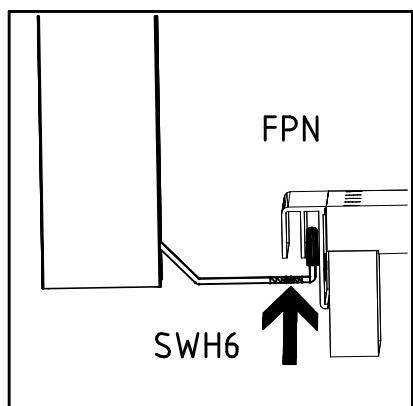
18



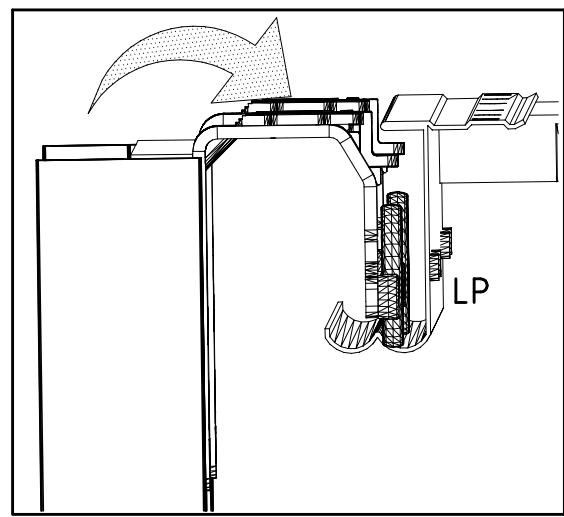
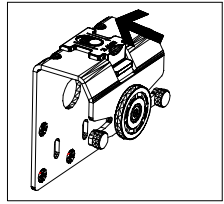
16



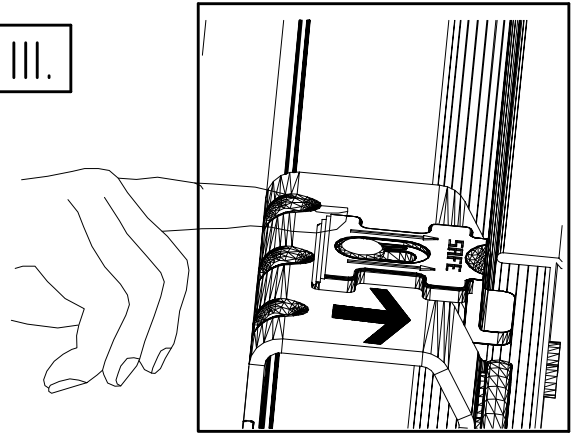
I.



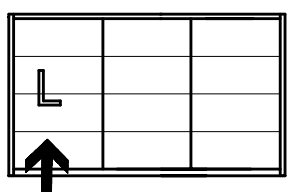
II.



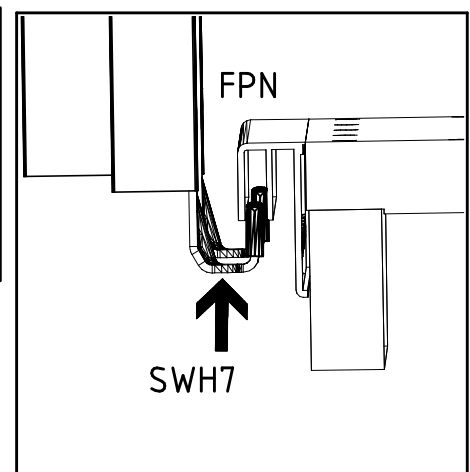
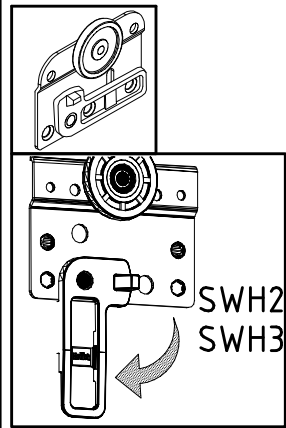
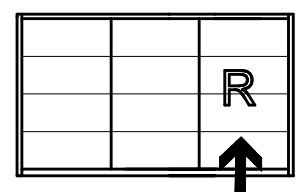
III.



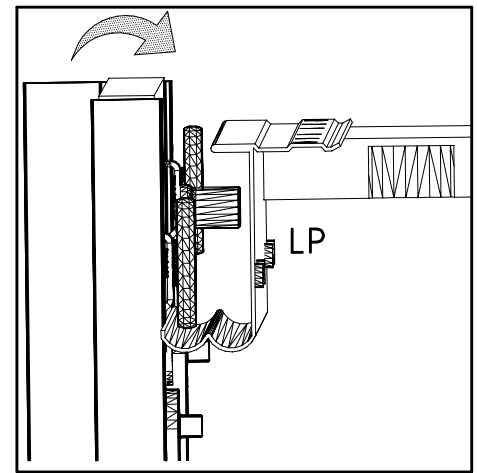
17 + 18



I.



II.



III.

