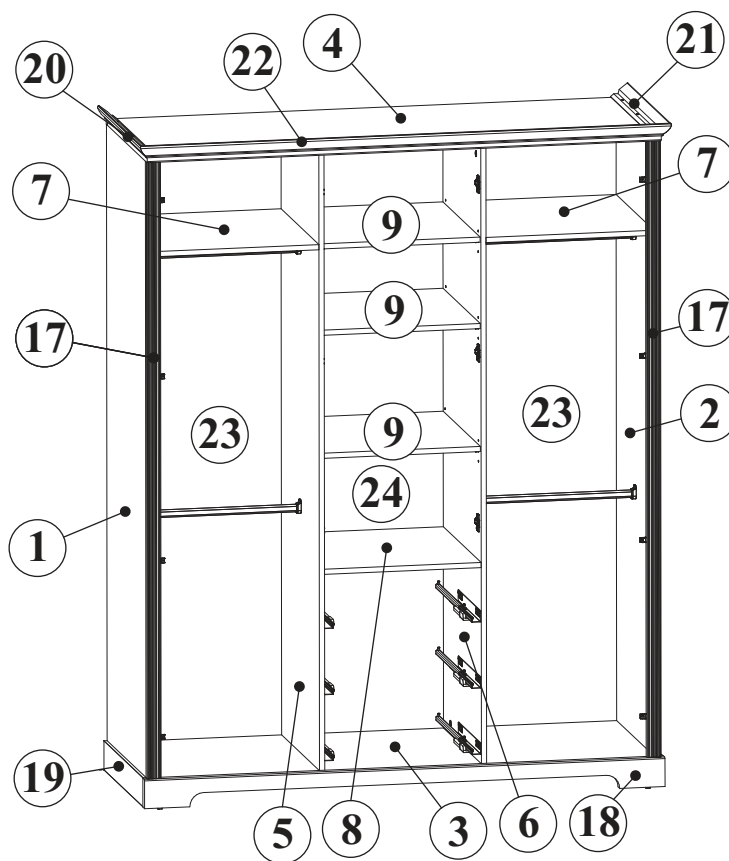
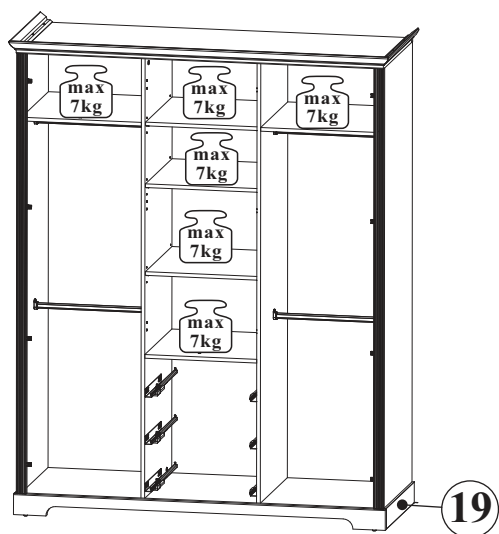
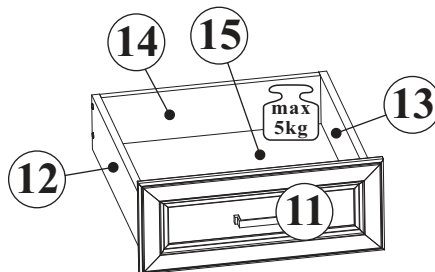
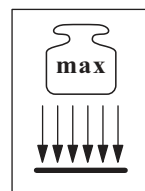
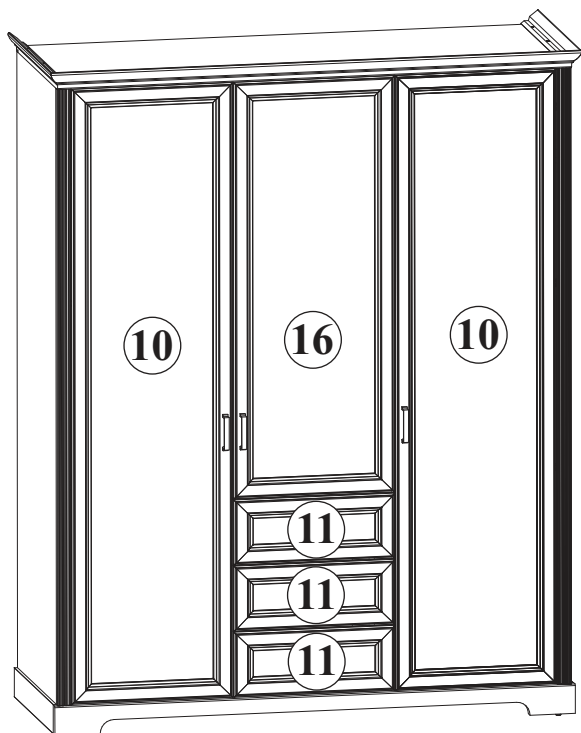


JASMIN SZAFA 3D 58-845-__

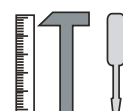


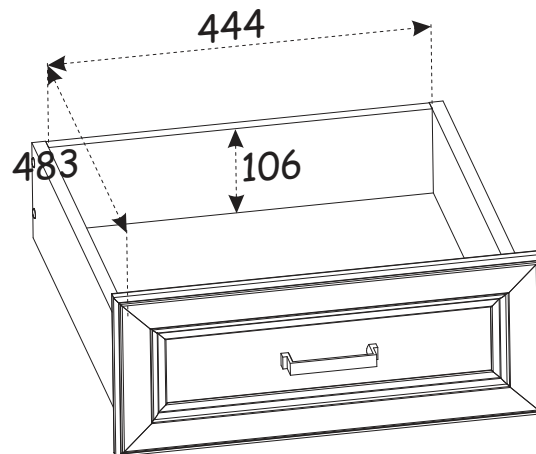
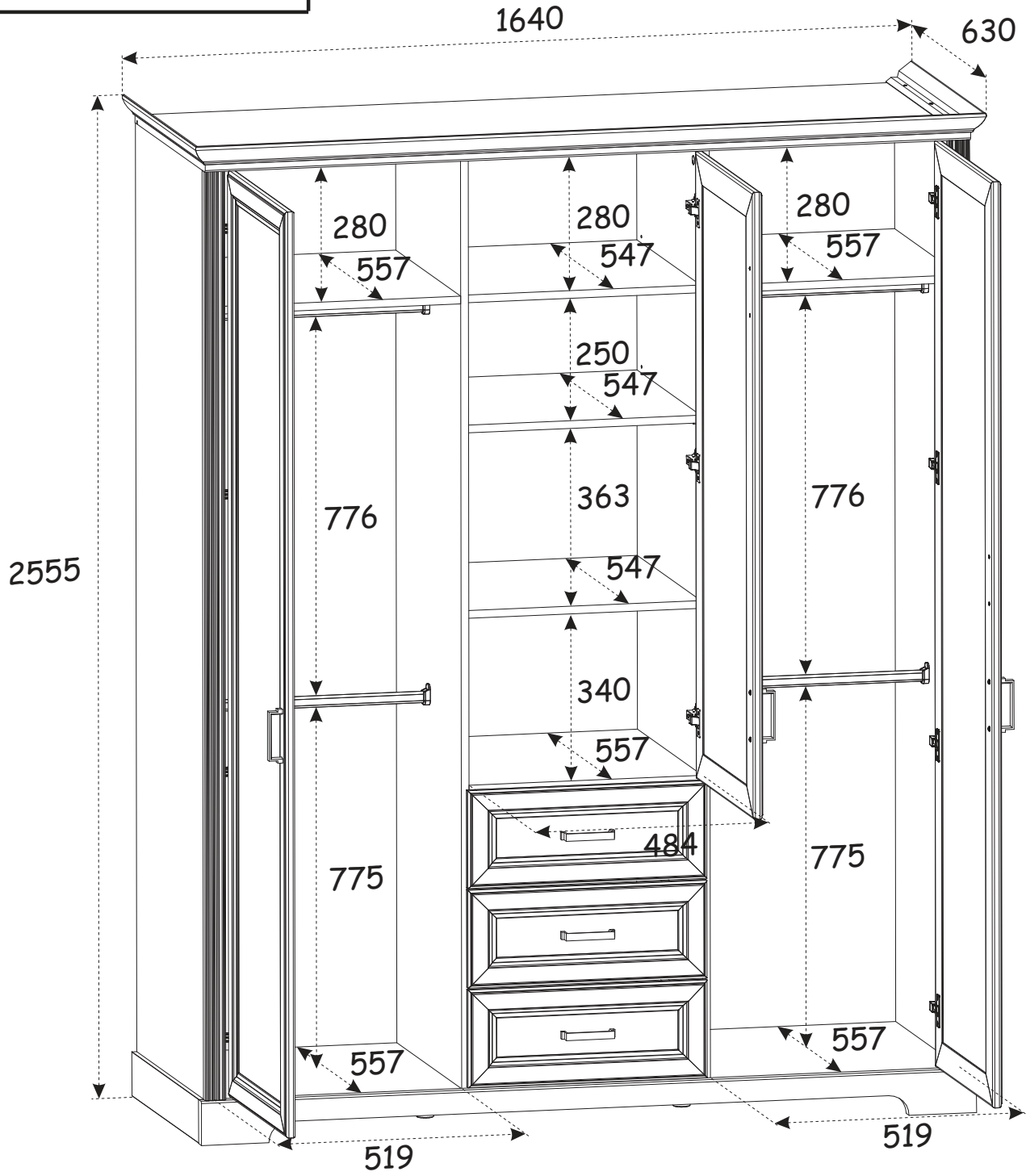
NO	Dim. (mm)		Col.-No	Qty
1	1992	577	16 3/5	1
2	1992	577	16 3/5	1
3	1554	557	16 2/5	1
4	1588	604	16 2/5	1
5	1903	557	16 4/5	1
6	1903	557	16 4/5	1
7	519	557	16 1/5	2
8	484	557	16 1/5	1
9	484	547	16 1/5	3
10	1896	496	22 5/5	2
16	1284	496	22 5/5	1
11	496	200	22 4/5	3

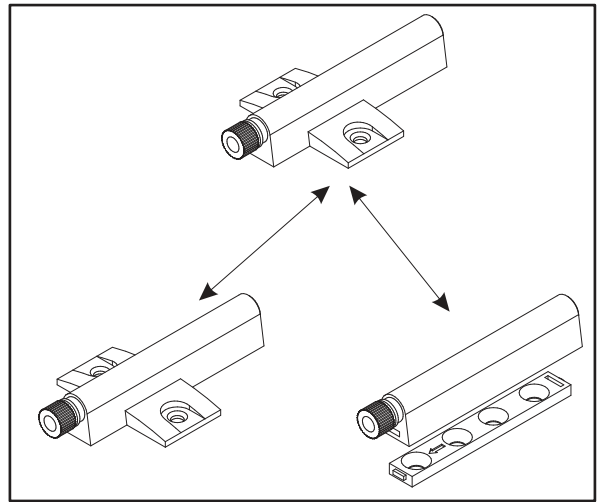
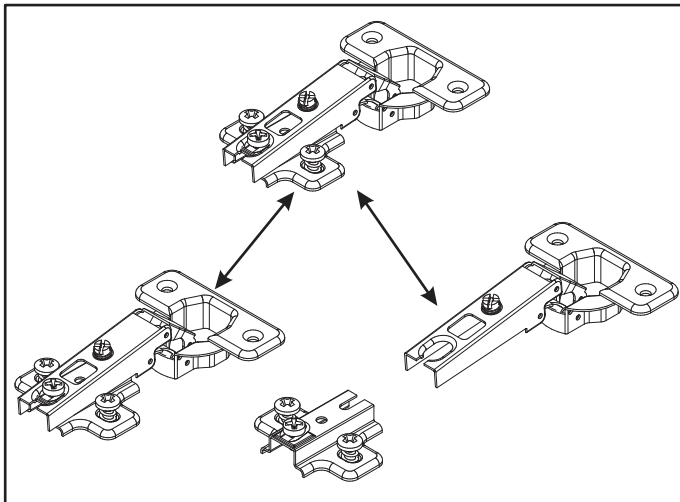
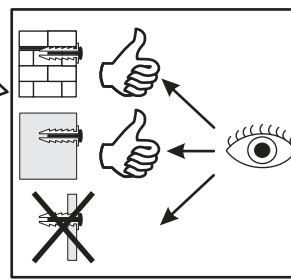
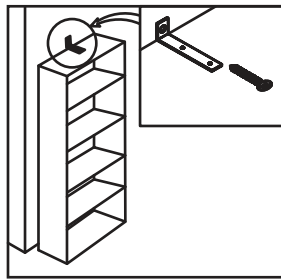
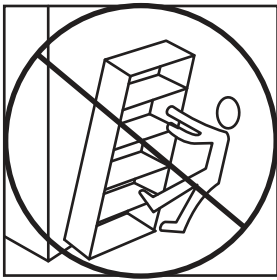
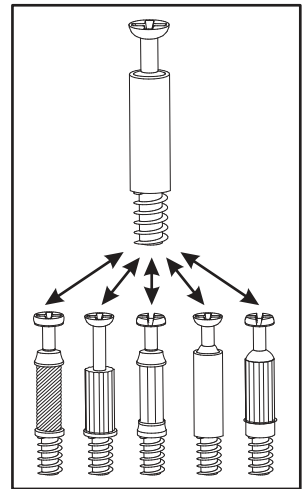
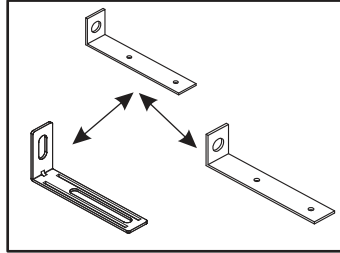
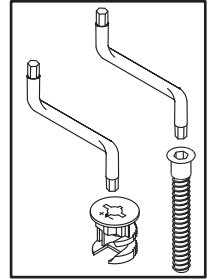
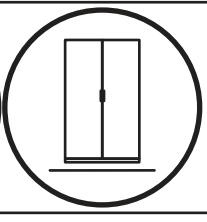
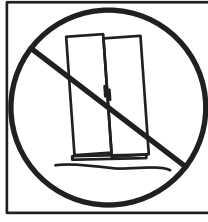
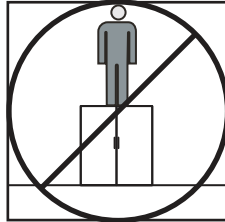
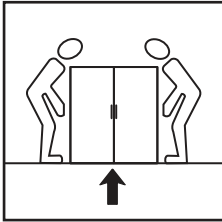
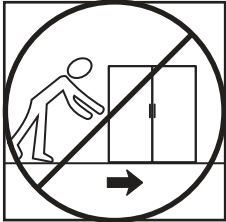
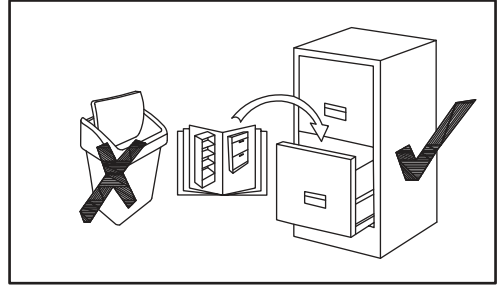
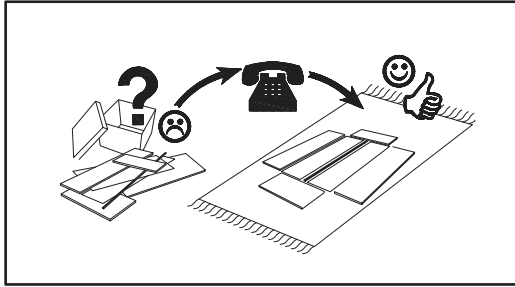
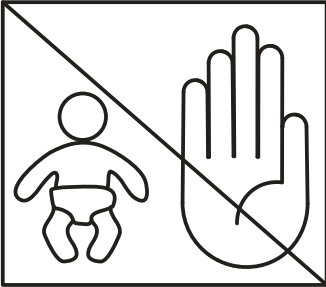
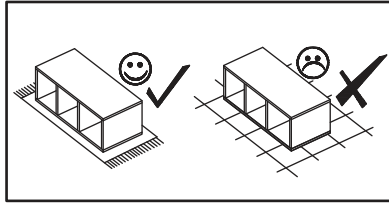
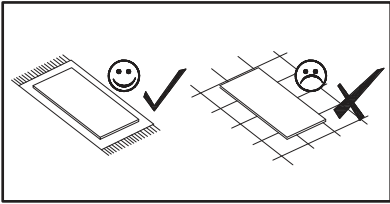
NO	Dim. (mm)		Col.-No	Qty
12	500	120	16 1/5	3
13	500	120	16 1/5	3
14	444	106	16 1/5	3
15	504	456	3 1/5	3
18	1608	90	25 2/5	1
19	577	90	10 1/5	2
17	1902	43	19 3/5	2
22	1641	67	22 4/5	1
20	631	67	22 2/5	1
21	631	67	22 2/5	1
23	1923	532	3 5/5	2
24	1923	498	3 5/5	1



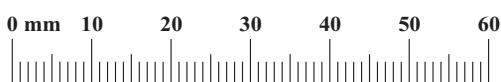
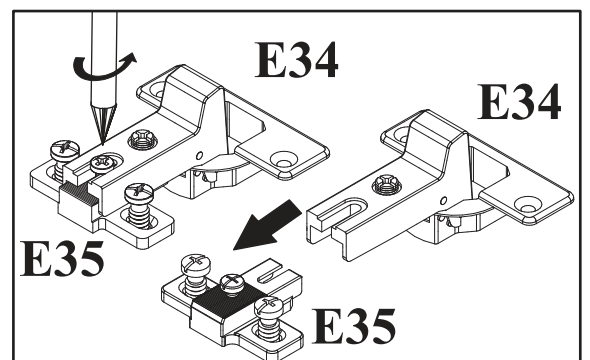
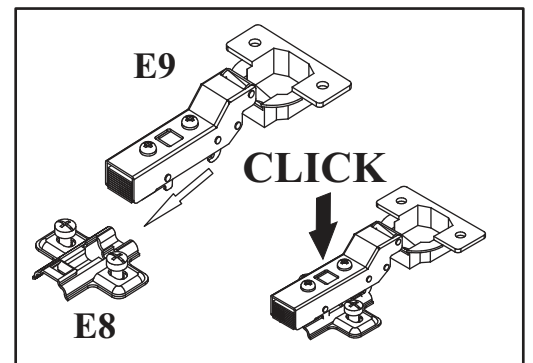
180 min



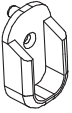





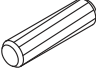
A1 x54 ø8x36	B4 x65	B5 x65 Ø15x12	G5 x65	B11 x12 Ø7x50	G4 x12
E34 x8 Ø35	E9 x3 Ø35 CD H=8	E35 x8 H=0	E8 x3 H=2	G10 x8	G7 x12
C19 x6	D4 x6 M4x30	D34 x6 M4x16	G16 x20	S1 x25	C5 x4 L-509mm.
QU x3 L-500mm	D20 x12 ESØ6x9,5	D10 x46 USØ3,5x13	I99 x2 H-78 mm.	I2 x4	Z2 x12 Ø5
UP11 x10 UPØ4x20	L1 x2	KR1 x2 Ø8	UP9 x8 UPØ3,5x16	UP13 x50 UPØ3x16	UP15 x6 UPØ3,5x22
G2 x1					

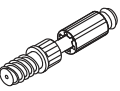



1


G10	
x4	

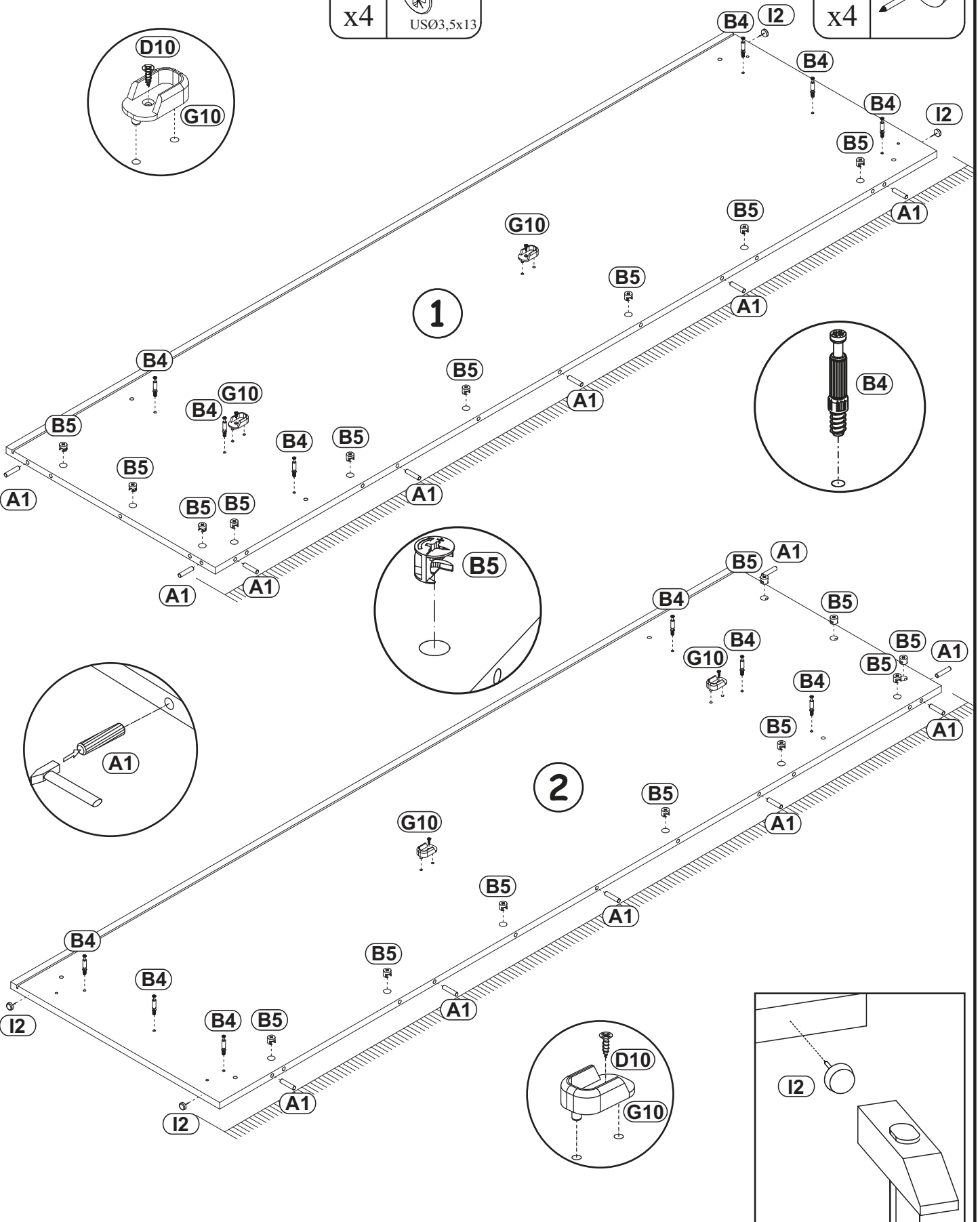
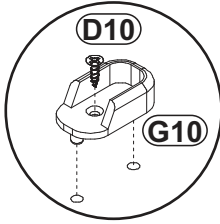
B5	
x18	Ø15x12

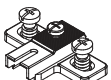
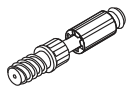
A1	
x14	ø8x36

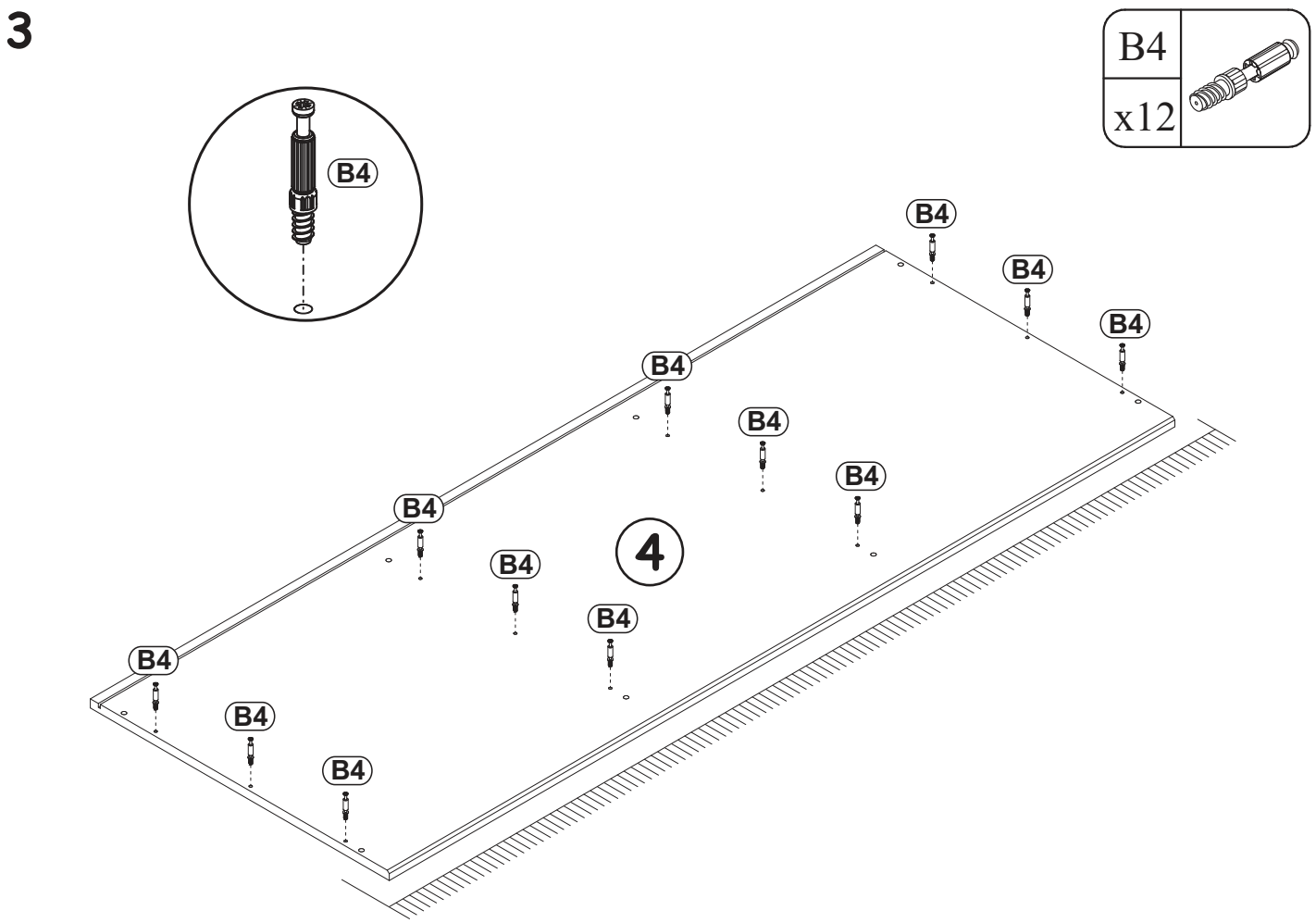
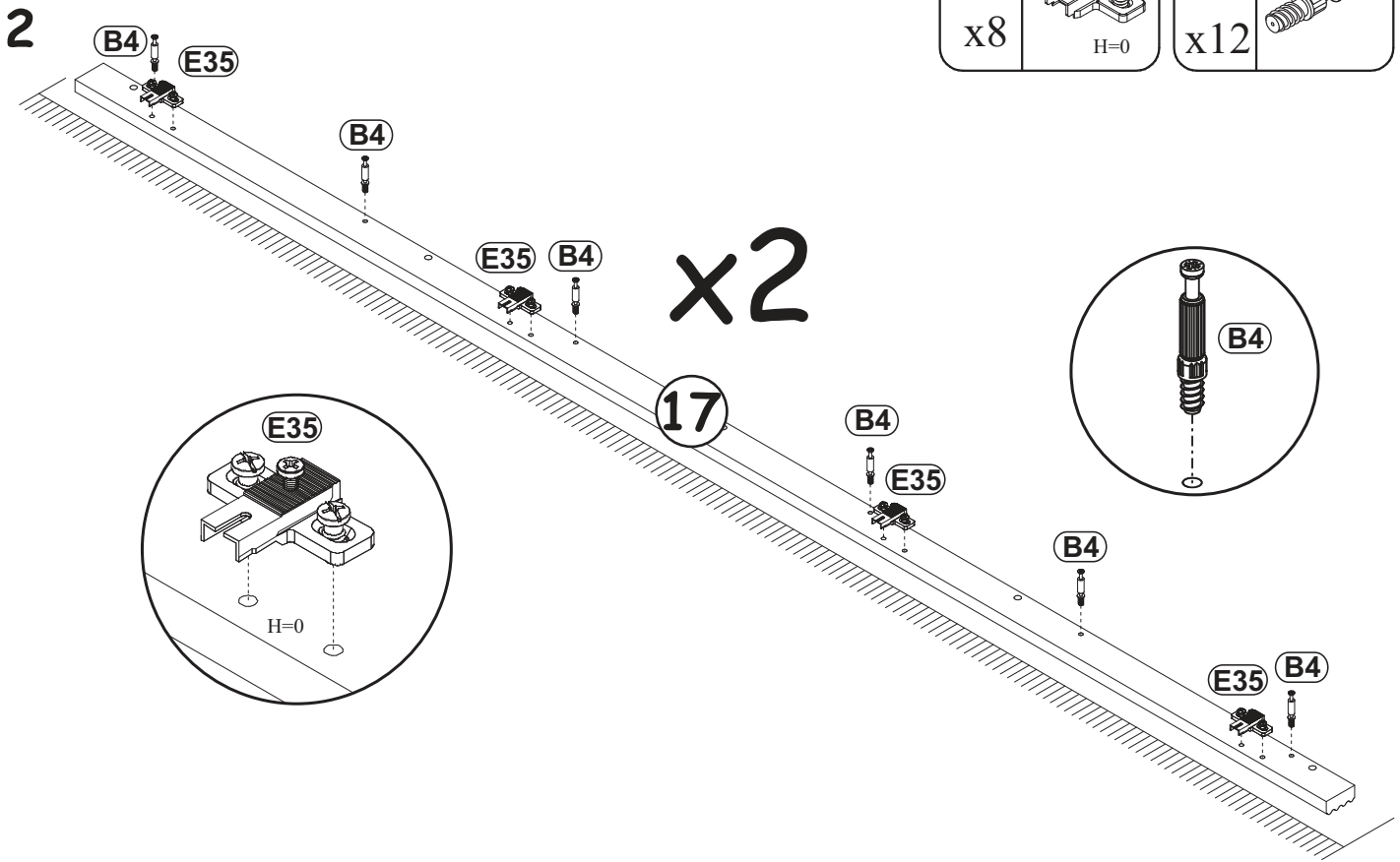
B4	
x12	

D10	
x4	USØ3,5x13


I2	
x4	

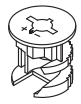


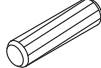
E35		B4	
x8	H=0	x12	

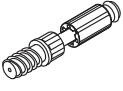



4

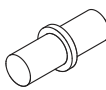
G10	
x2	


B5	
x6	Ø15x12

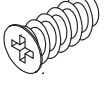
A1	
x4	ø8x36

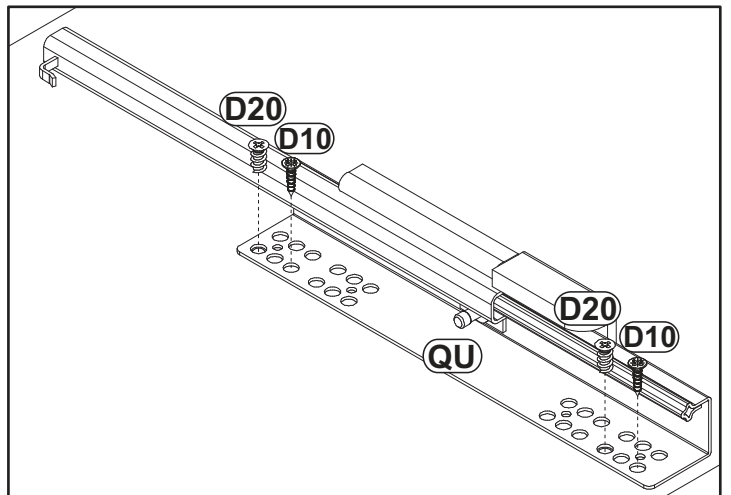
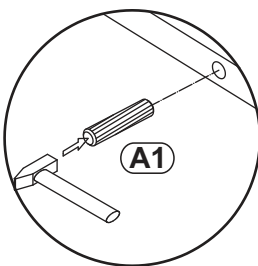
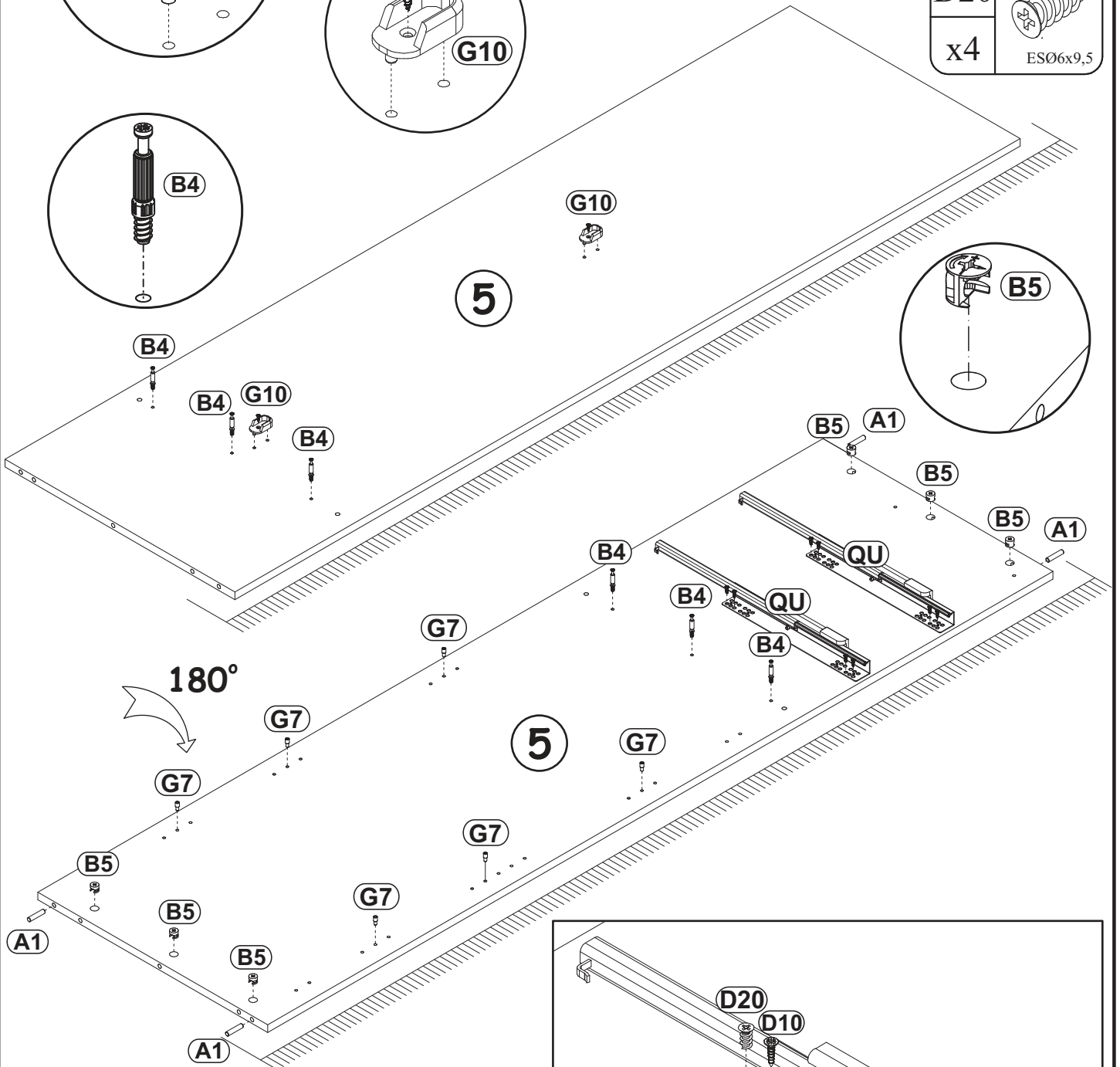
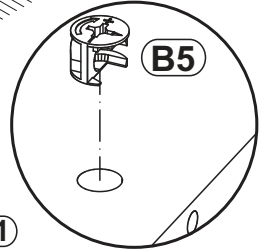
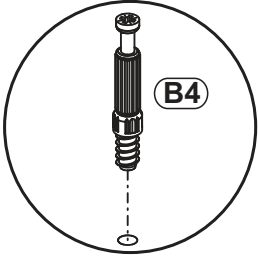
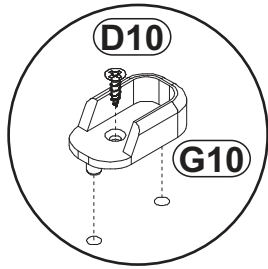
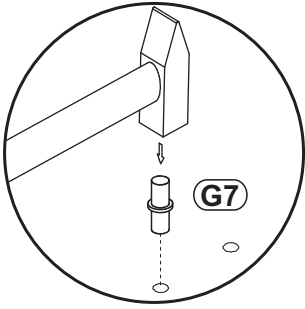
B4	
x6	

D10	
x6	USØ3,5x13

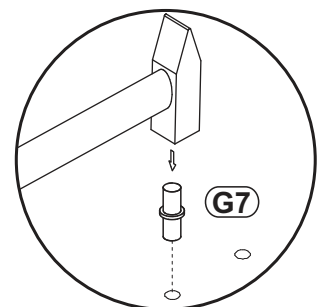
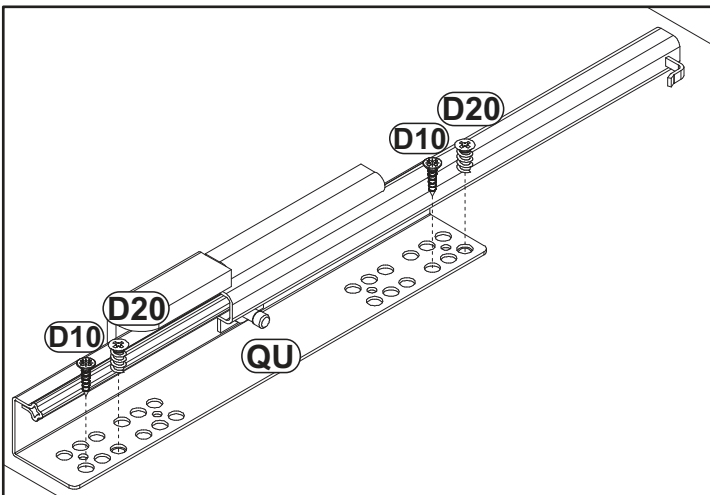
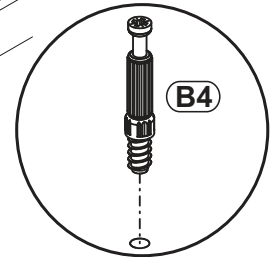
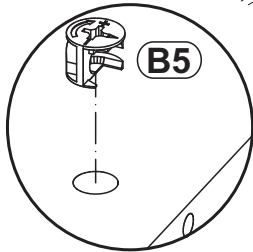
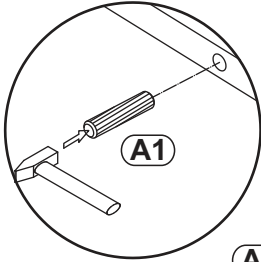
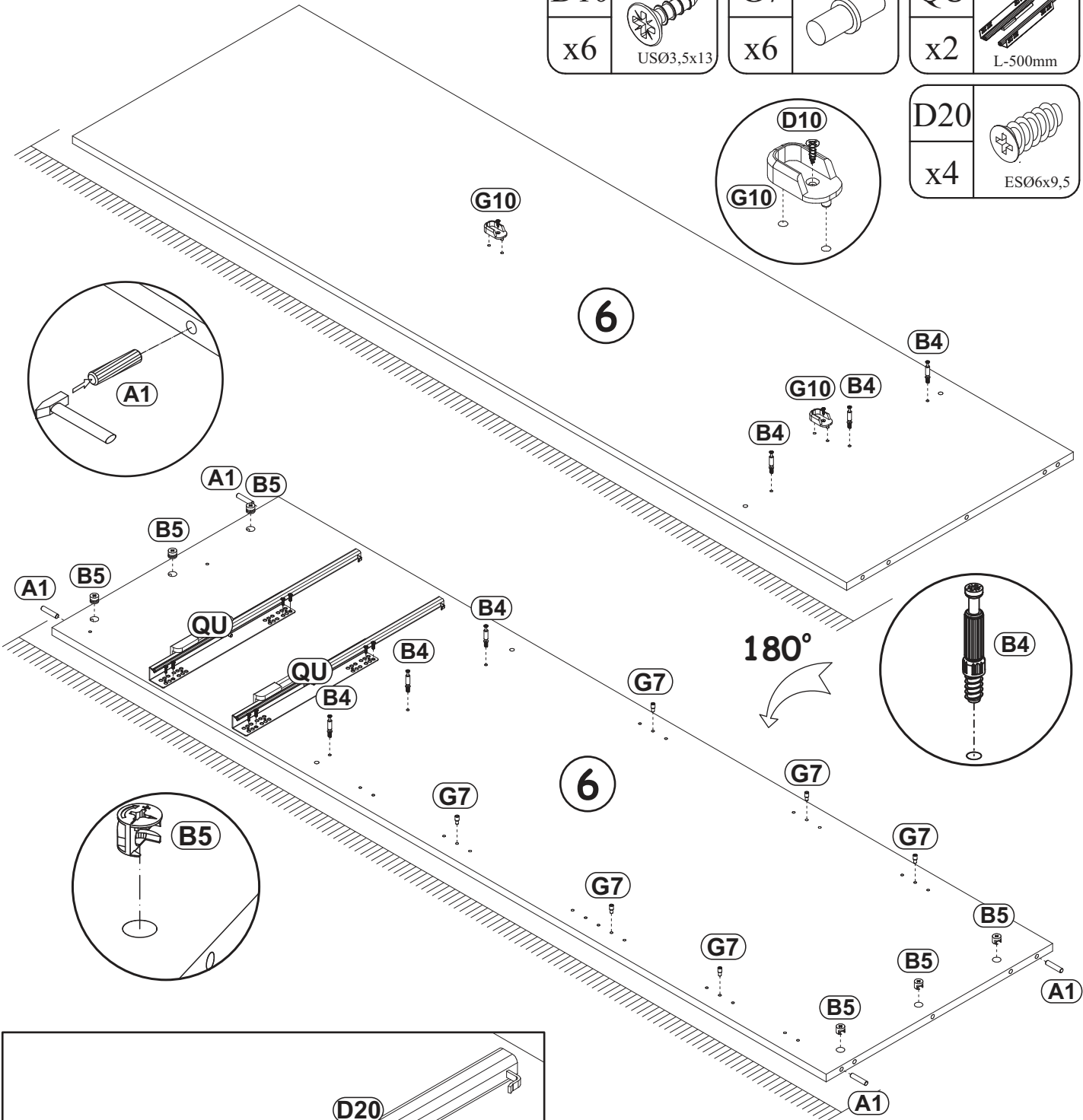
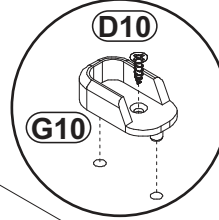
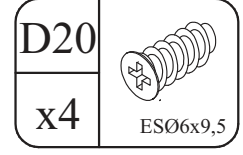
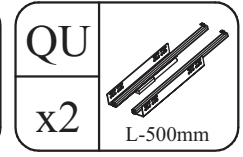
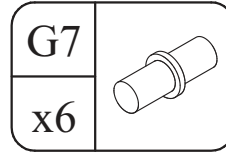
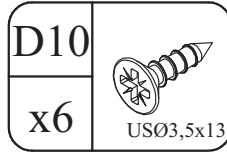
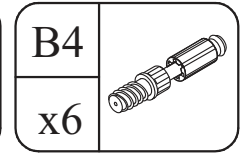
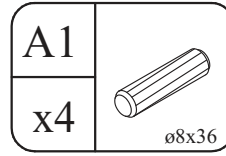
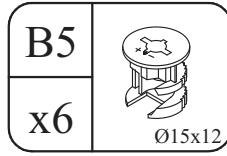
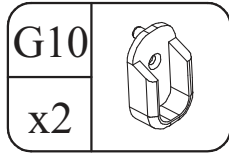
G7	
x6	

QU	
x2	L-500mm

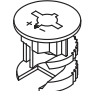
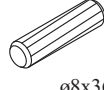
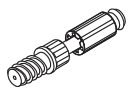
D20	
x4	ESØ6x9,5

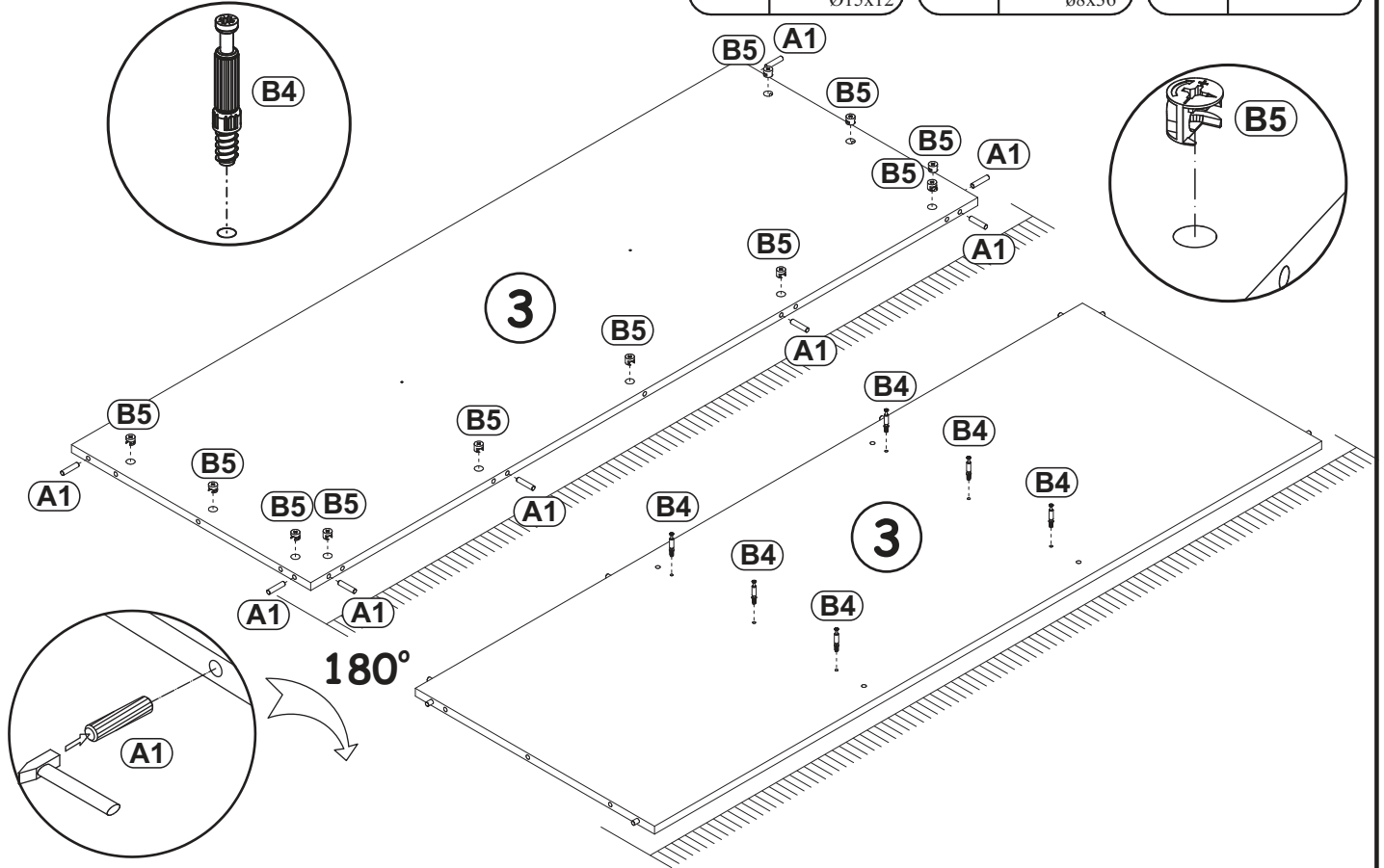


5


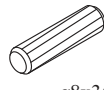
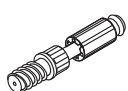


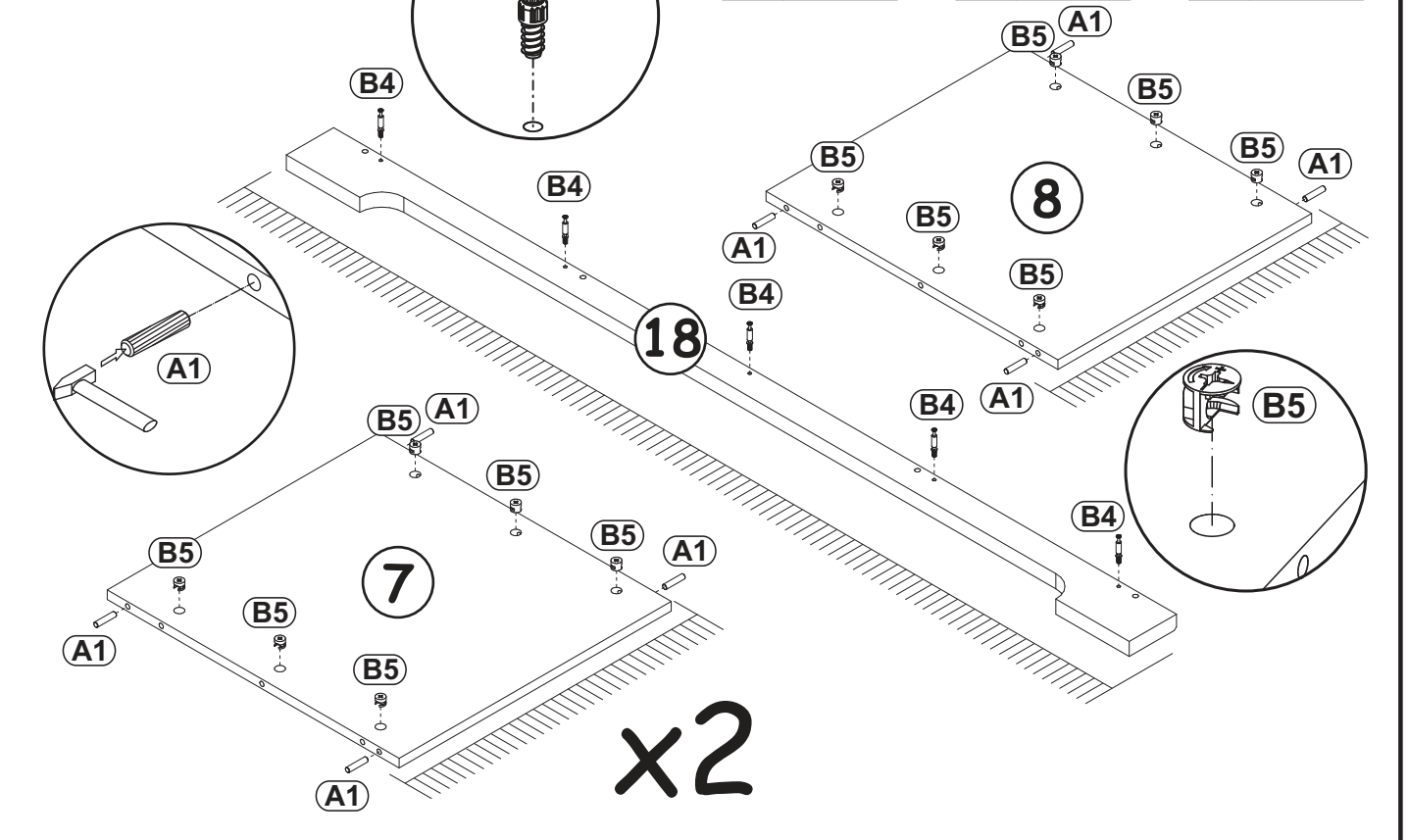
6

B5		A1		B4	
x11	Ø15x12	x8	ø8x36	x6	

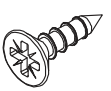



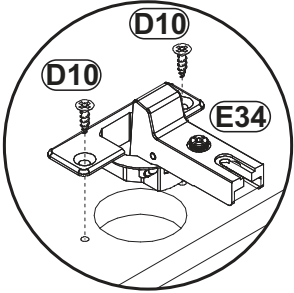
7

B5		A1		B4	
x18	Ø15x12	x12	ø8x36	x5	

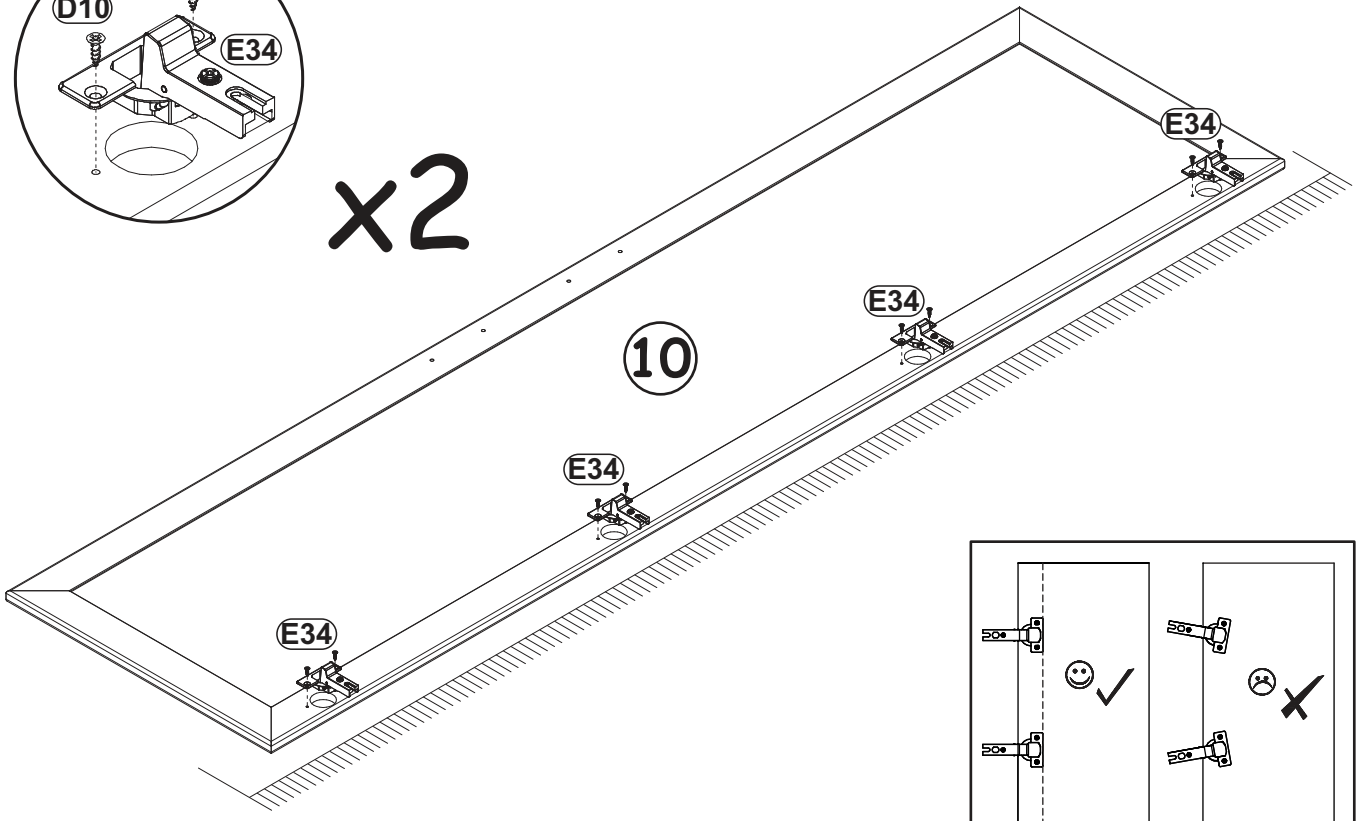


8

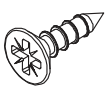
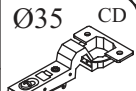
D10	 USØ3,5x13	E34	 Ø35
x16		x8	

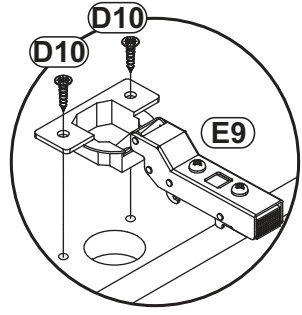


x2

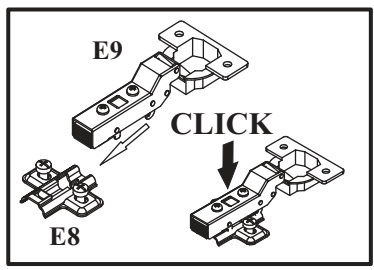
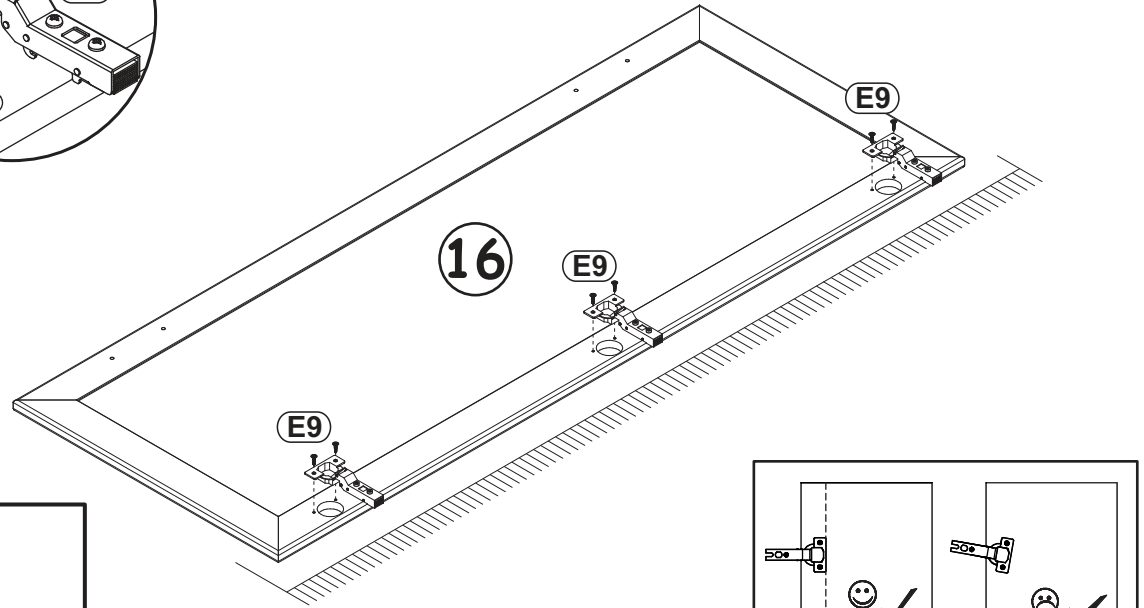


9

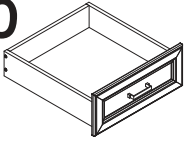
D10	 USØ3,5x13	E9	 Ø35 CD H=8
x6		x3	



16



10



x3

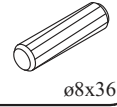
B5

x6



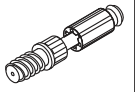
A1

x12

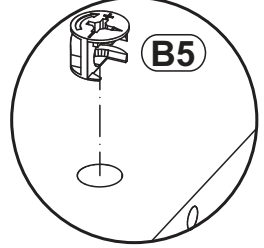
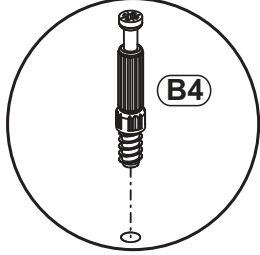
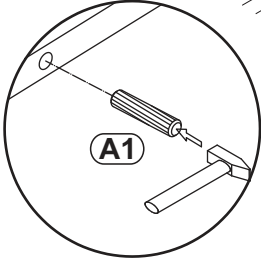
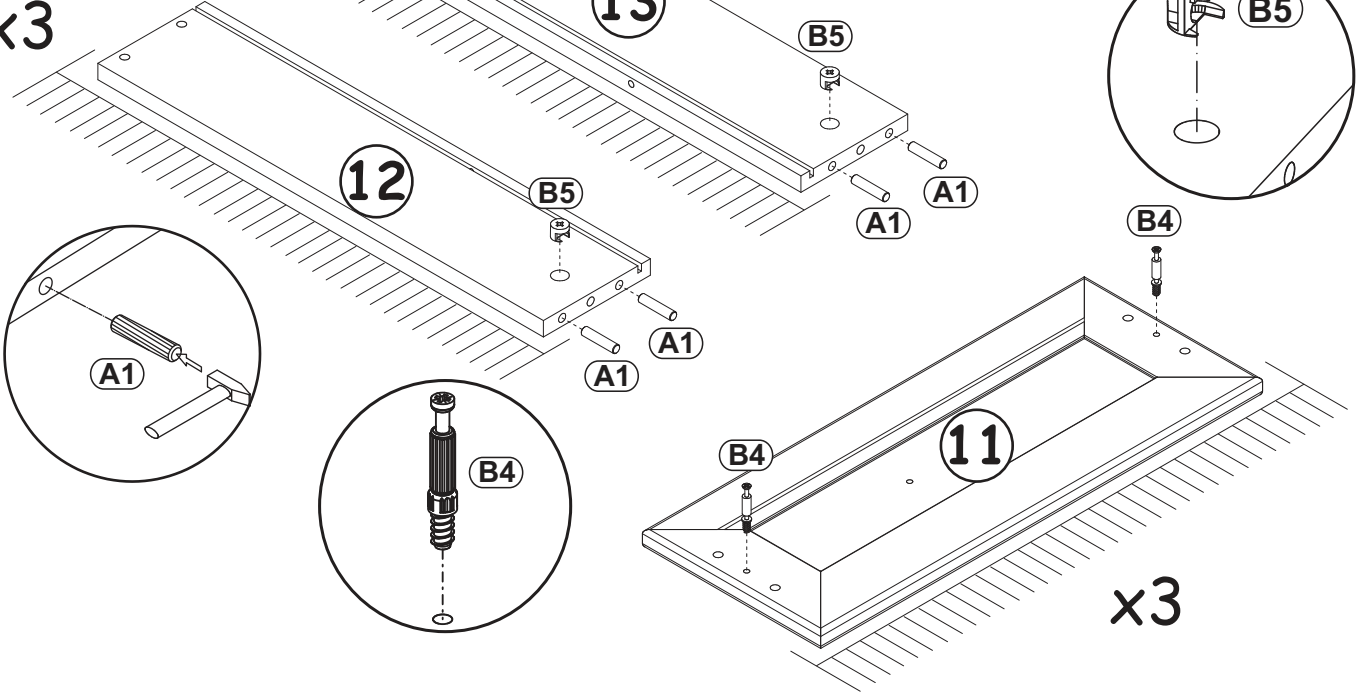


B4

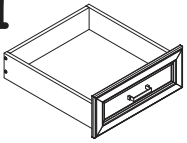
x6



x3



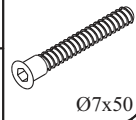
11



x3

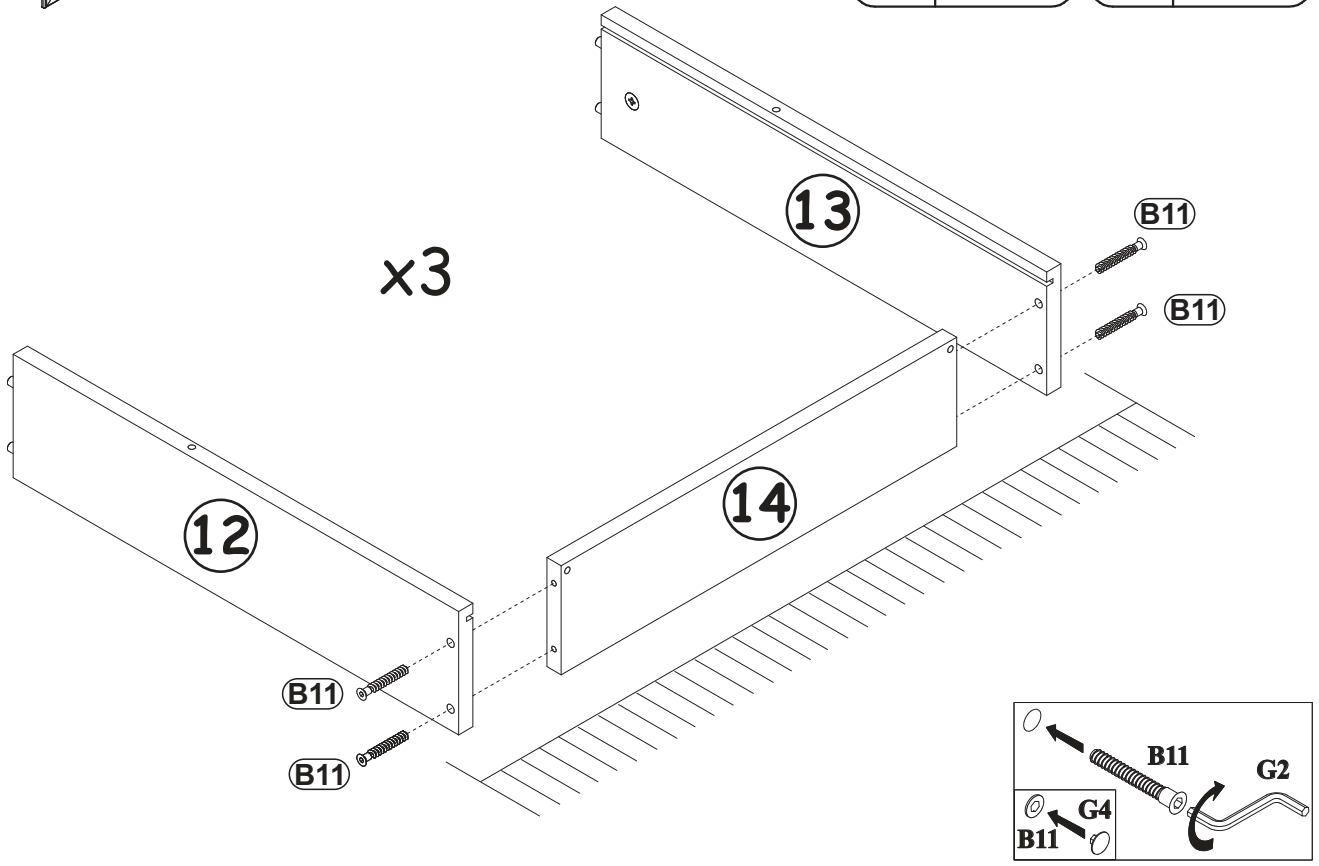
B11

x12



G4

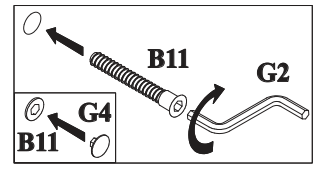
x12



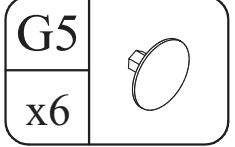
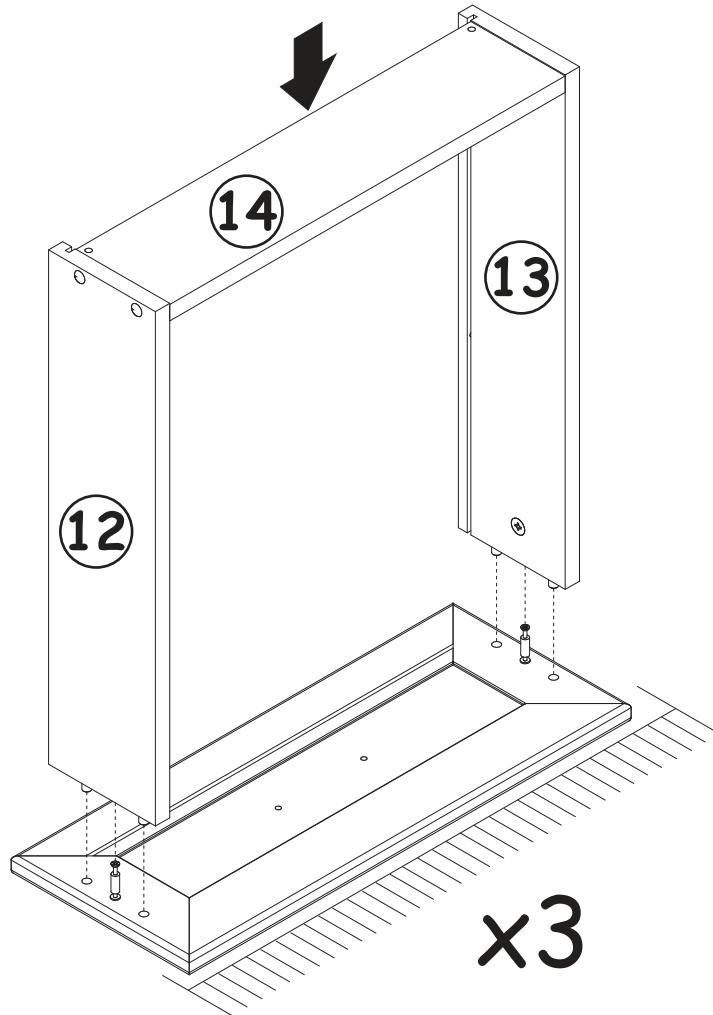
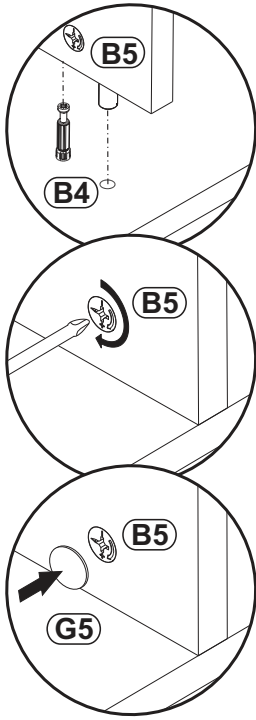
12

14

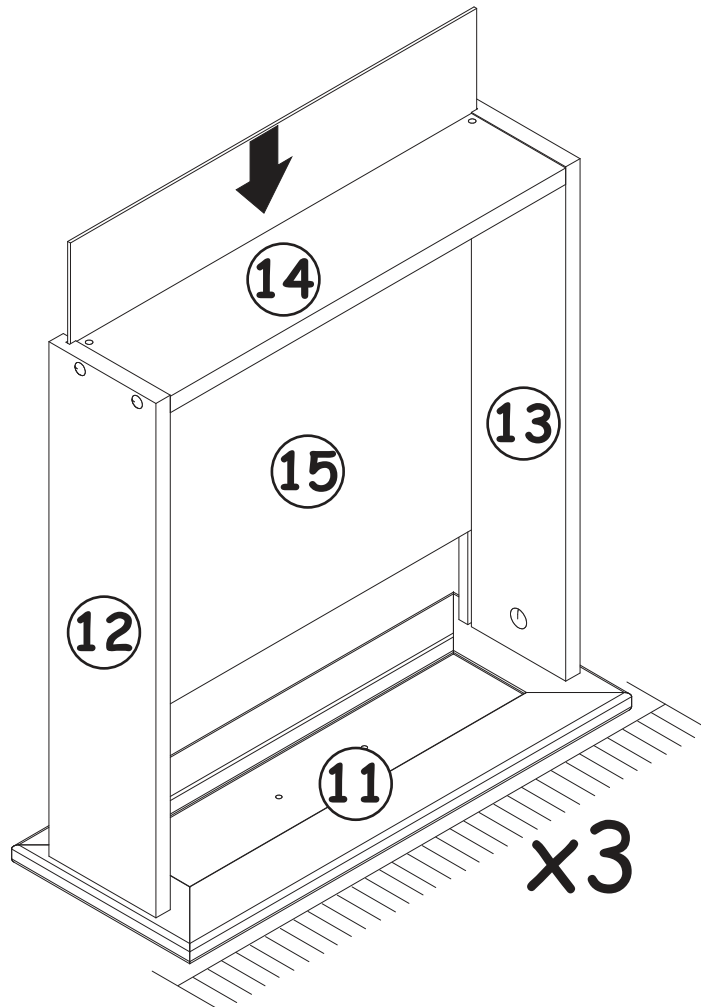
13



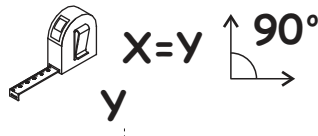
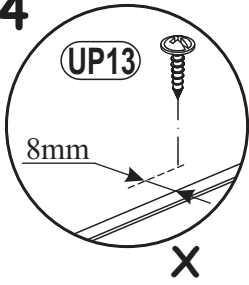
12



13

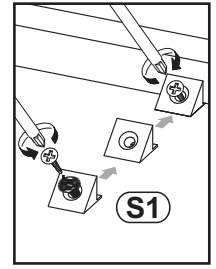
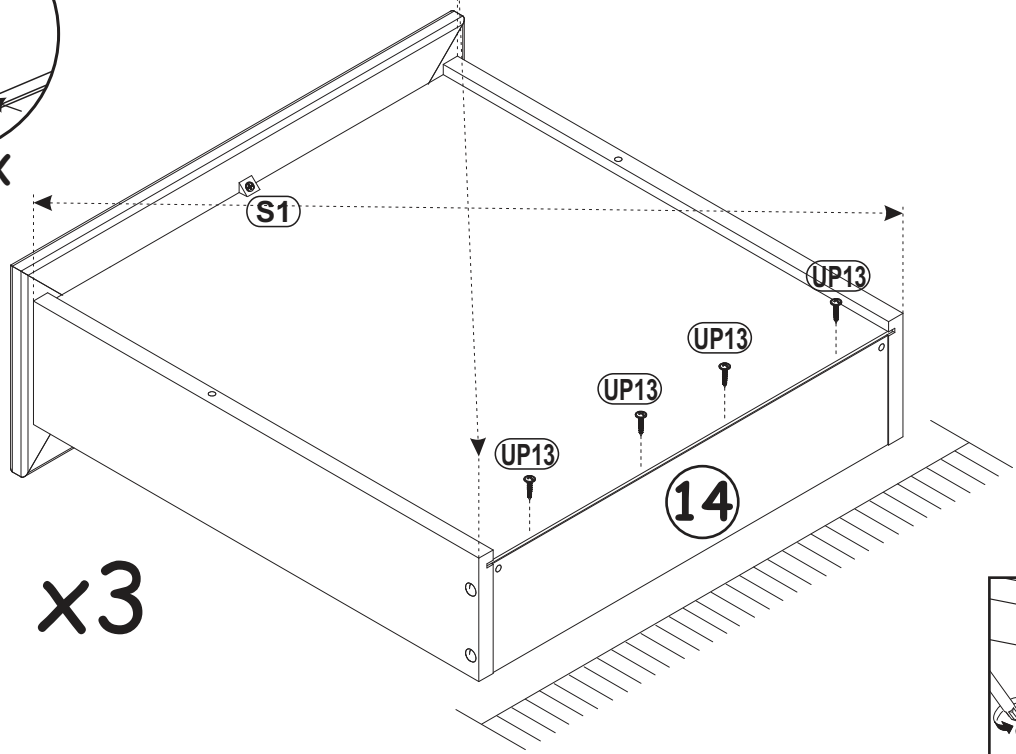


14



UP13	
x12	UP03x16

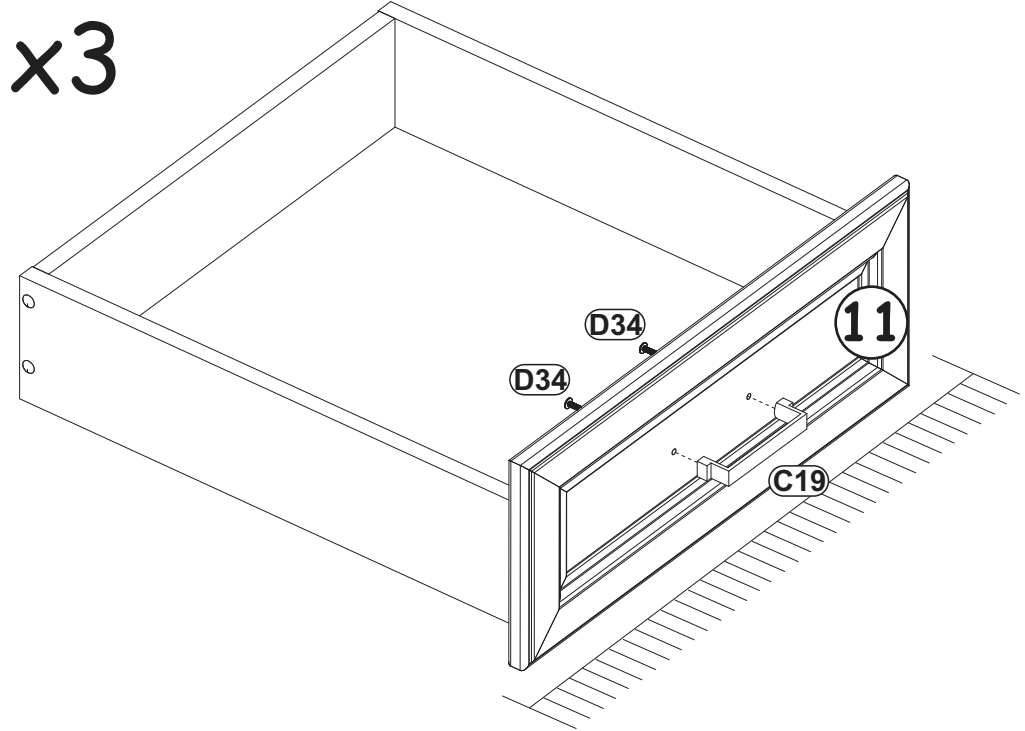
S1	
x3	




15

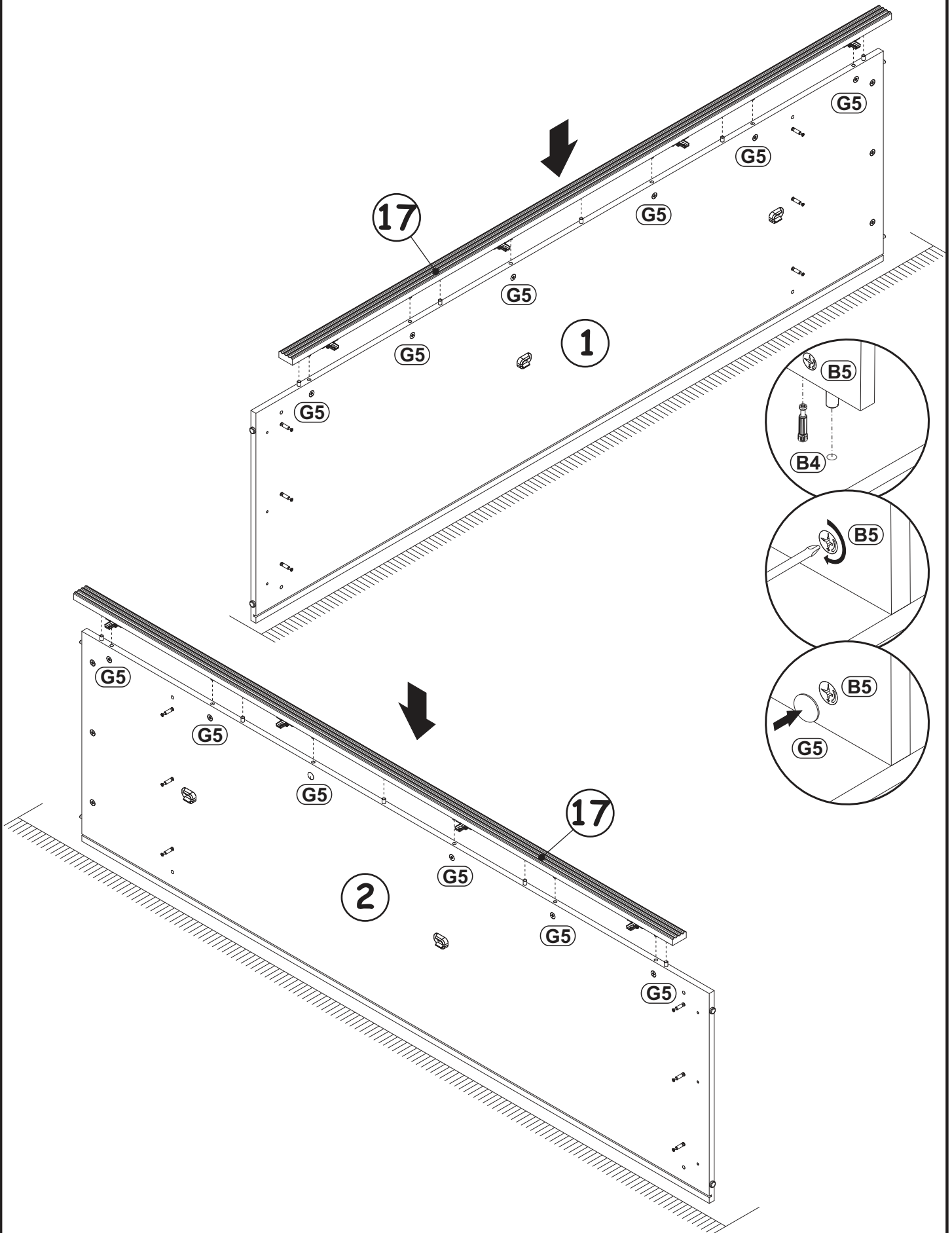
C19	
x3	

D34	
x6	M4x16




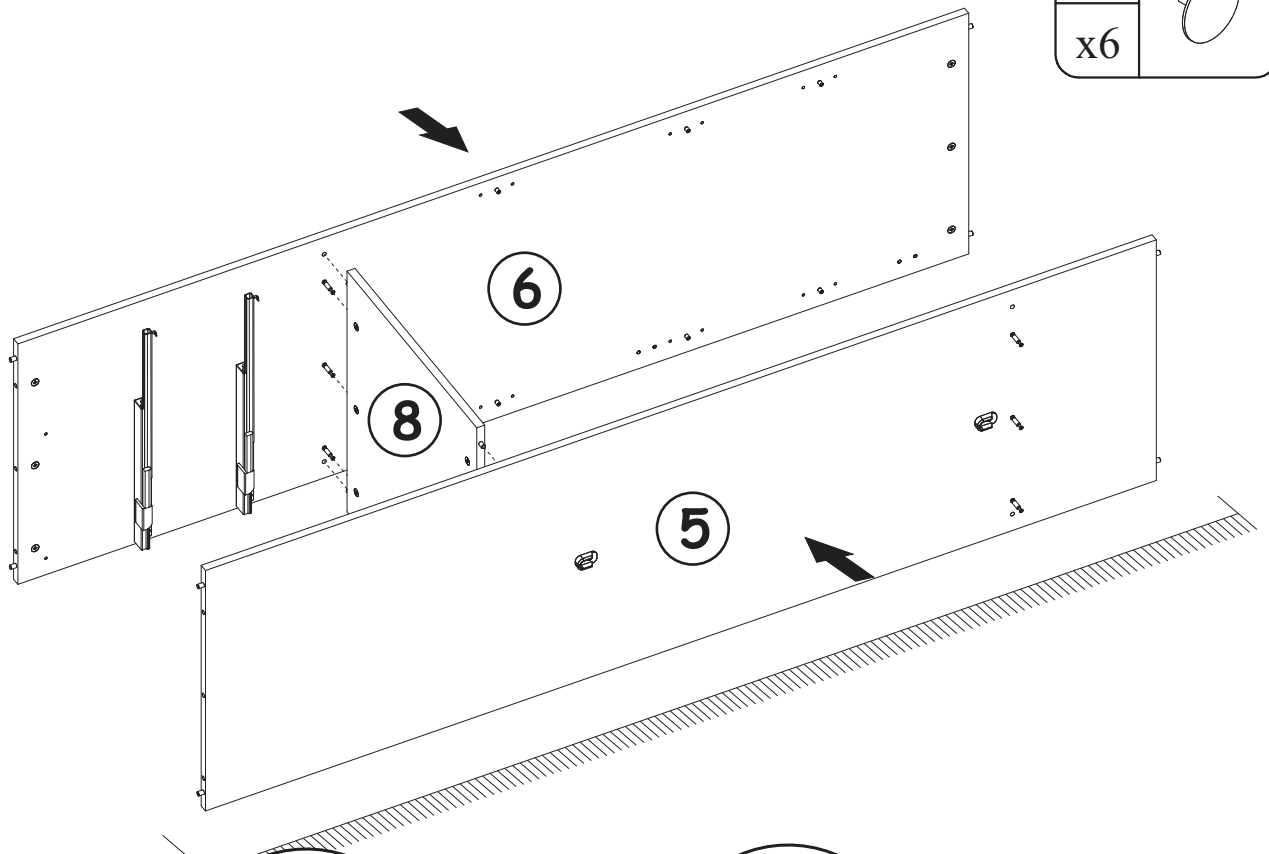
16

G5	
x12	

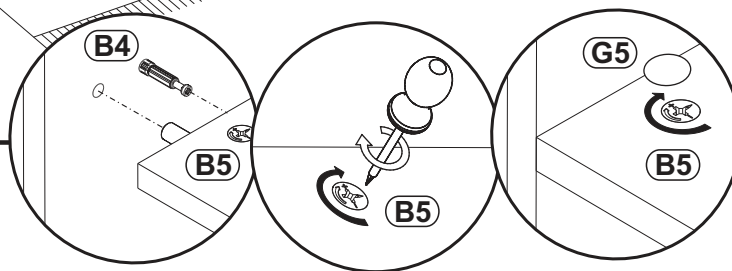



17

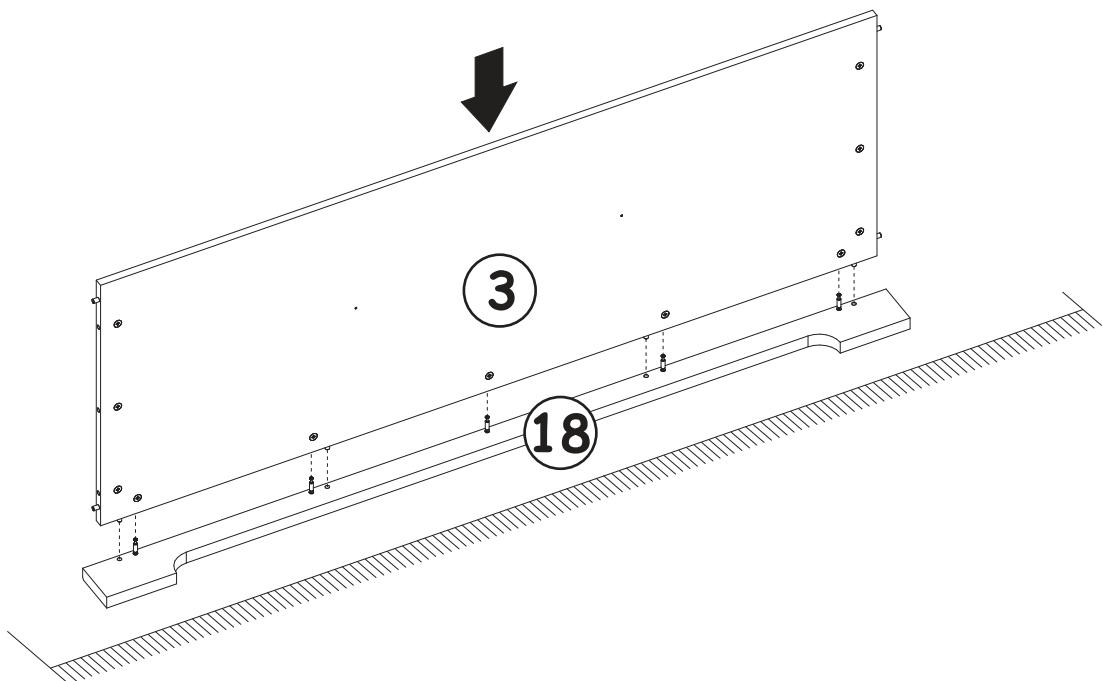
G5	
x6	




18

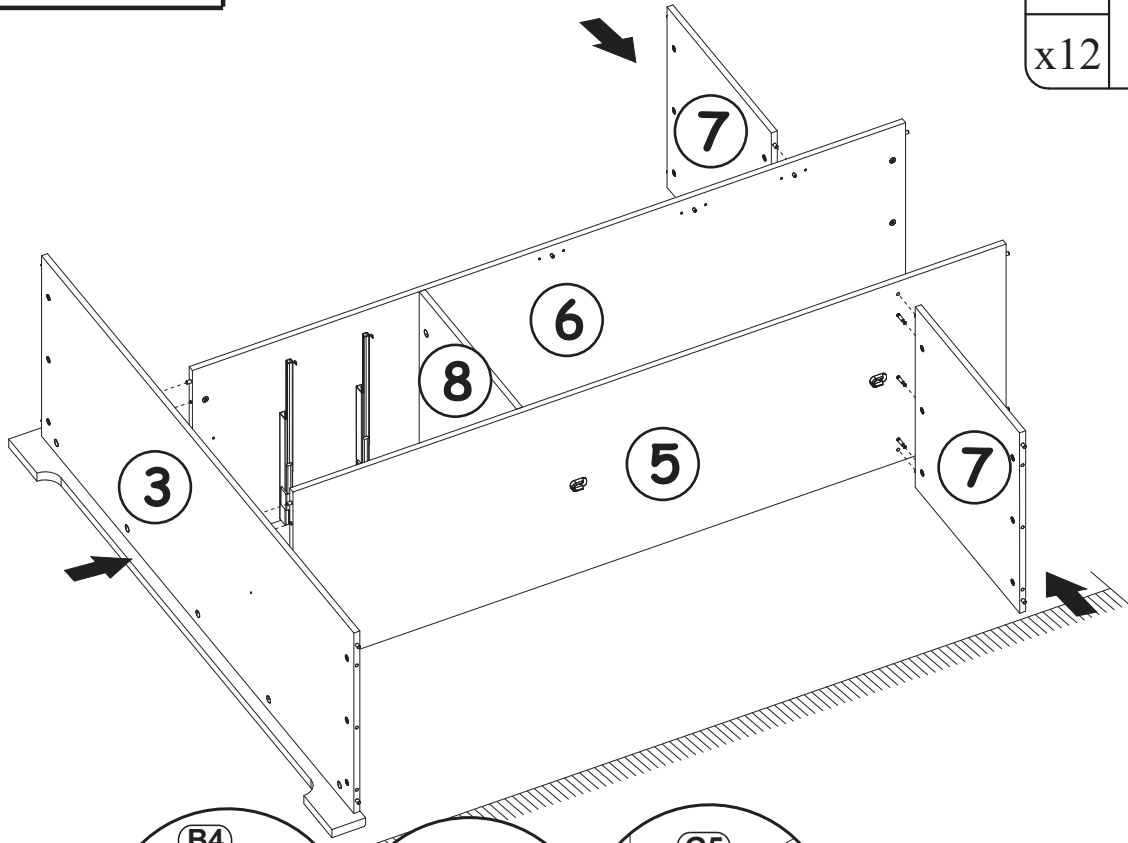


G5	
x5	




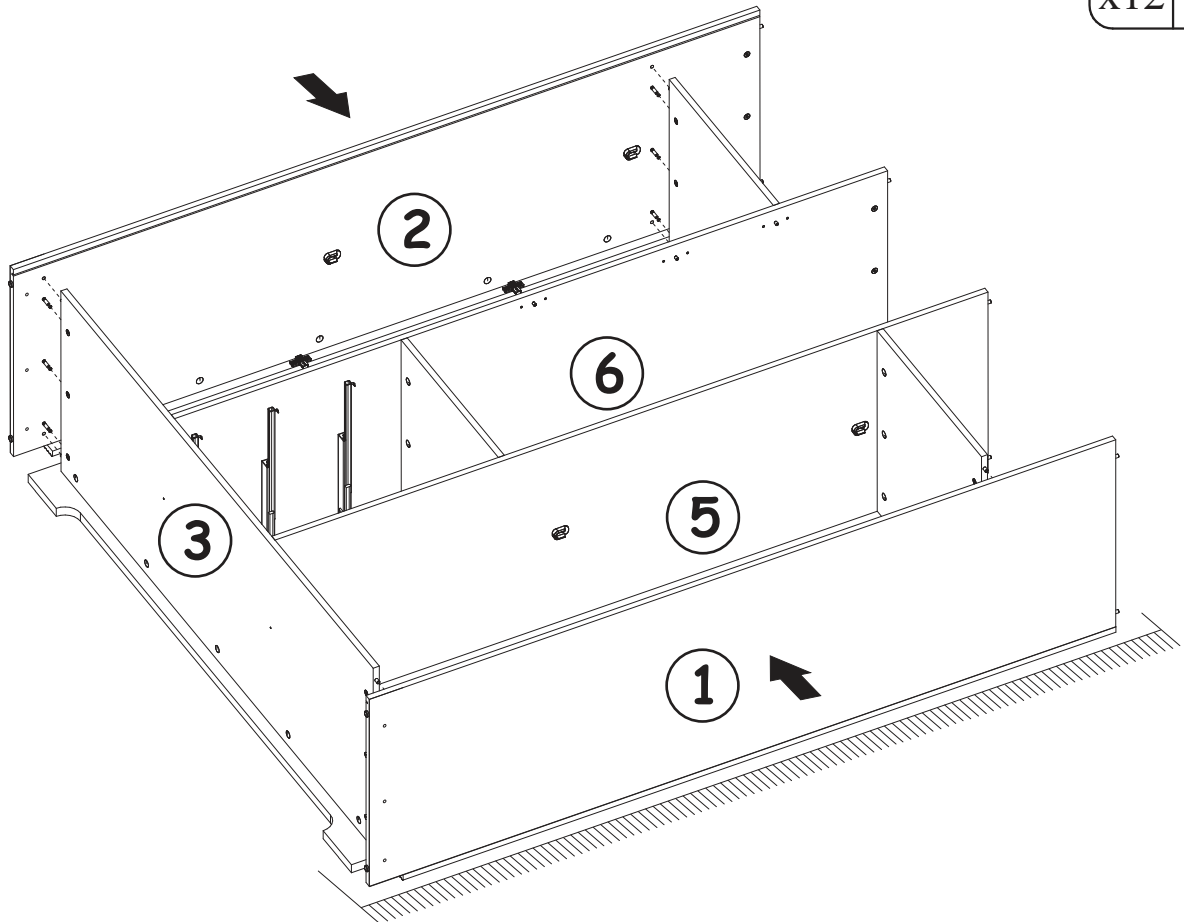
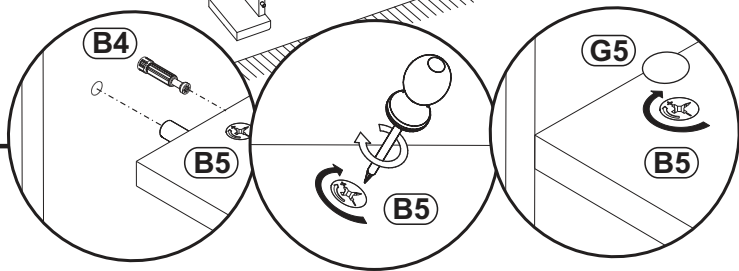
19

G5	
x12	

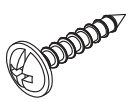


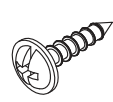
20

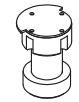
G5	
x12	




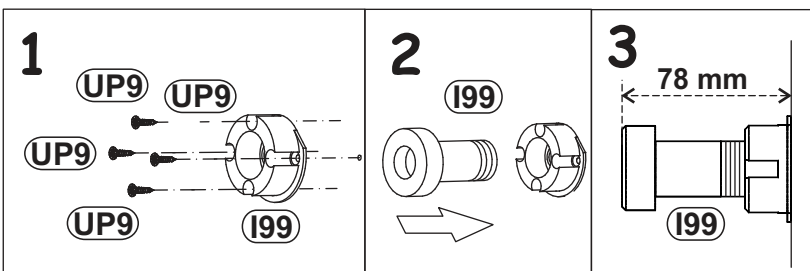
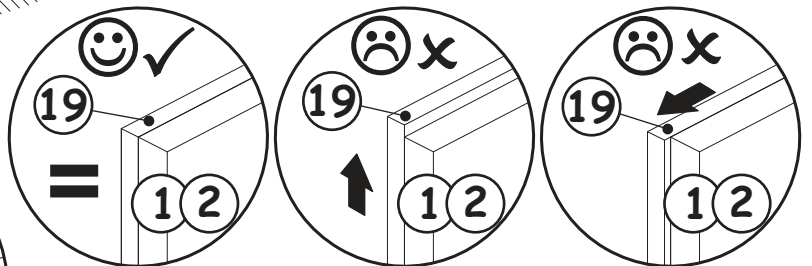
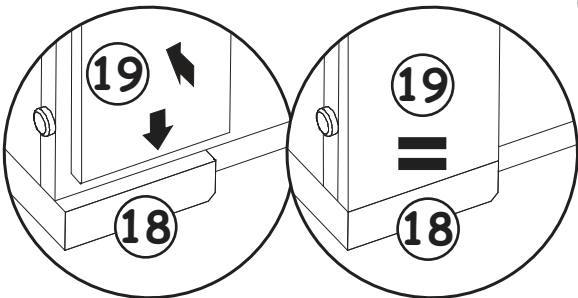
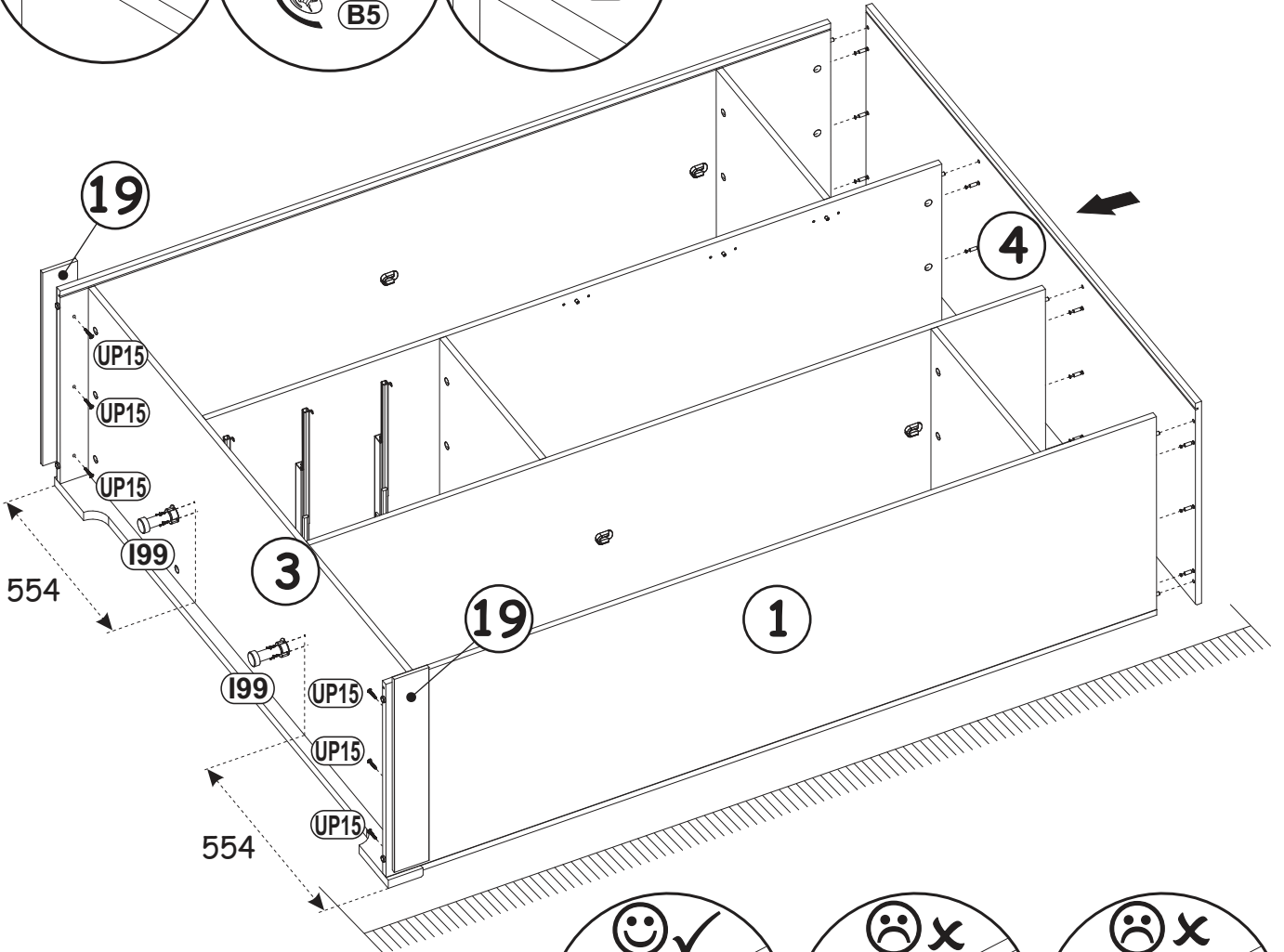
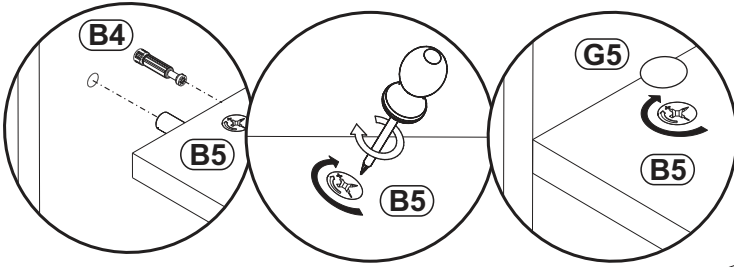
21

UP15	
x6	UPØ3,5x22

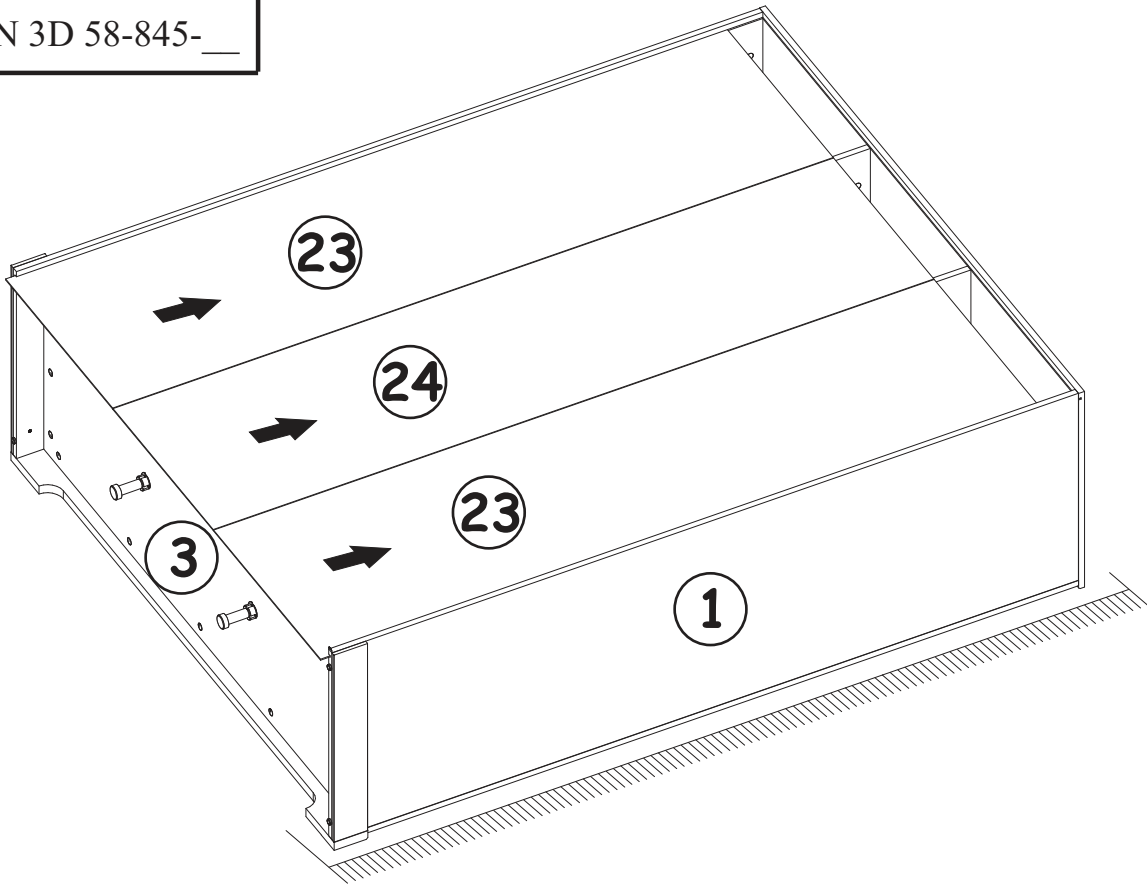
UP9	
x8	UPØ3,5x16

I99	
x2	H-78 mm.

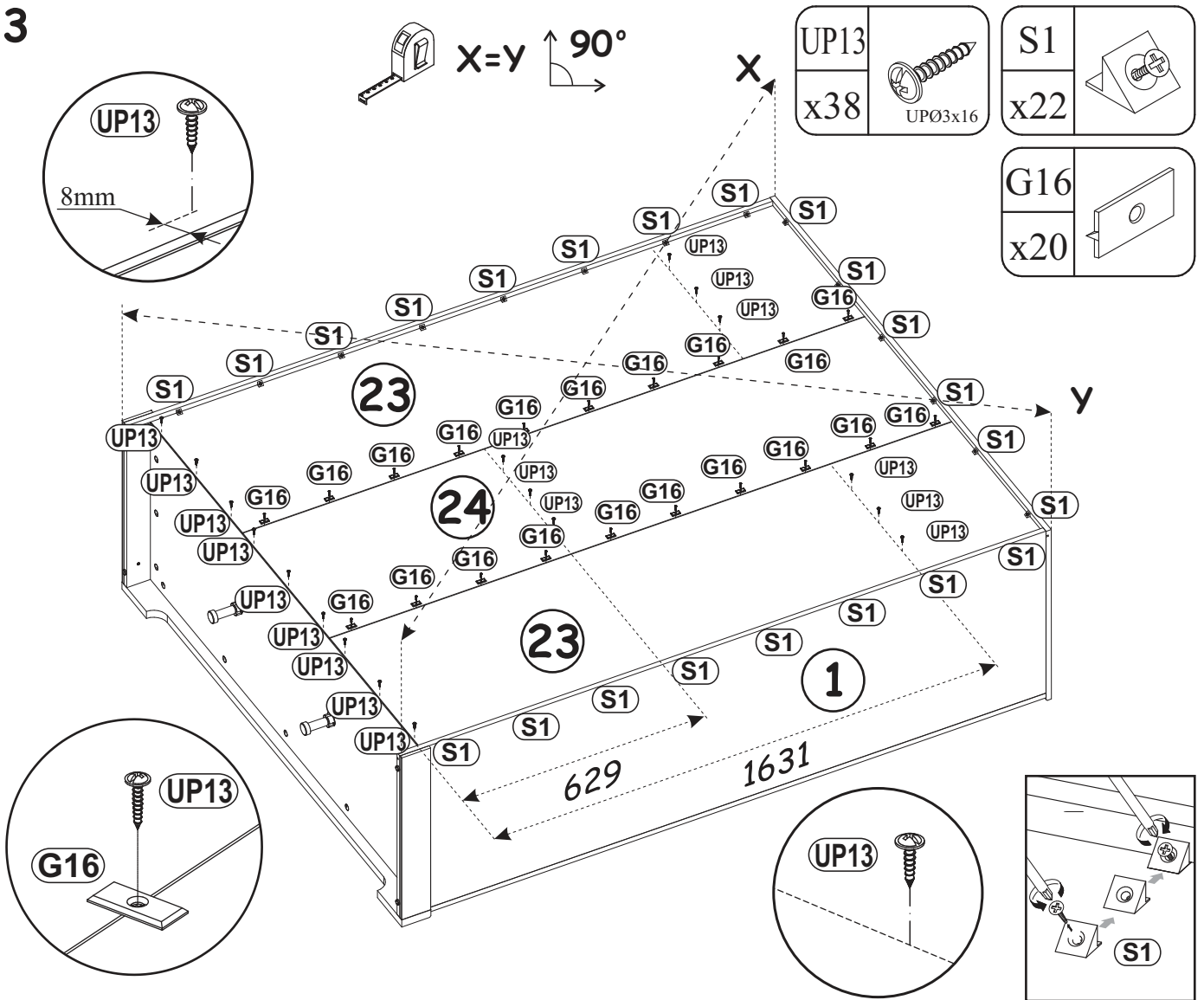
G5	
x12	



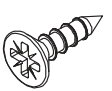
22

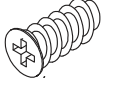



23

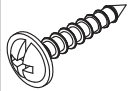


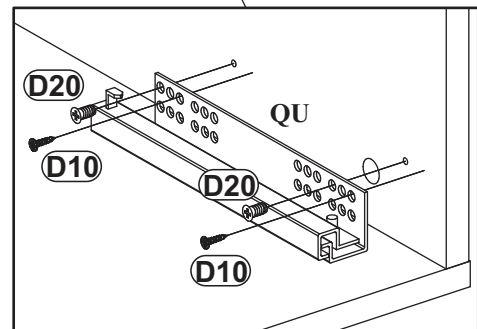
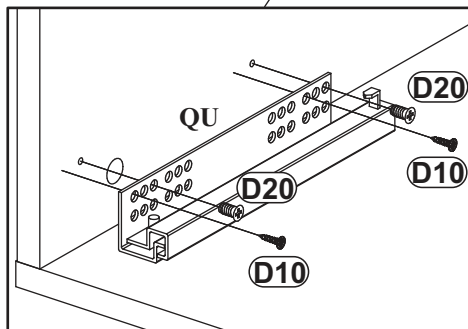
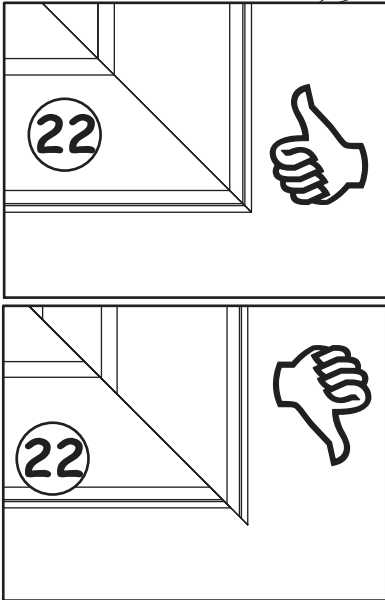
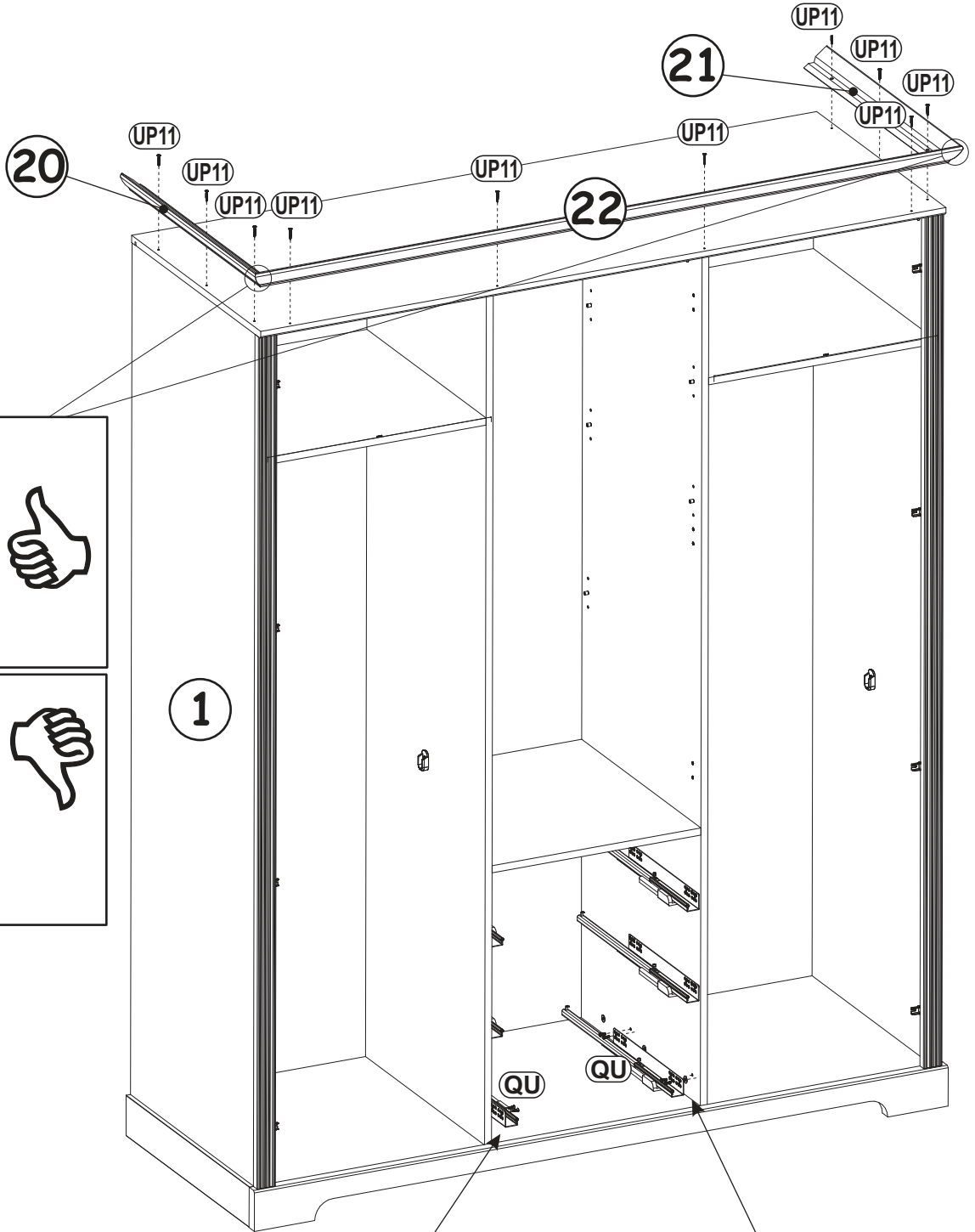
24

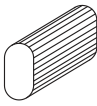
D10	
x4	USØ3,5x13

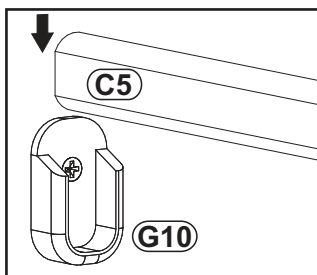
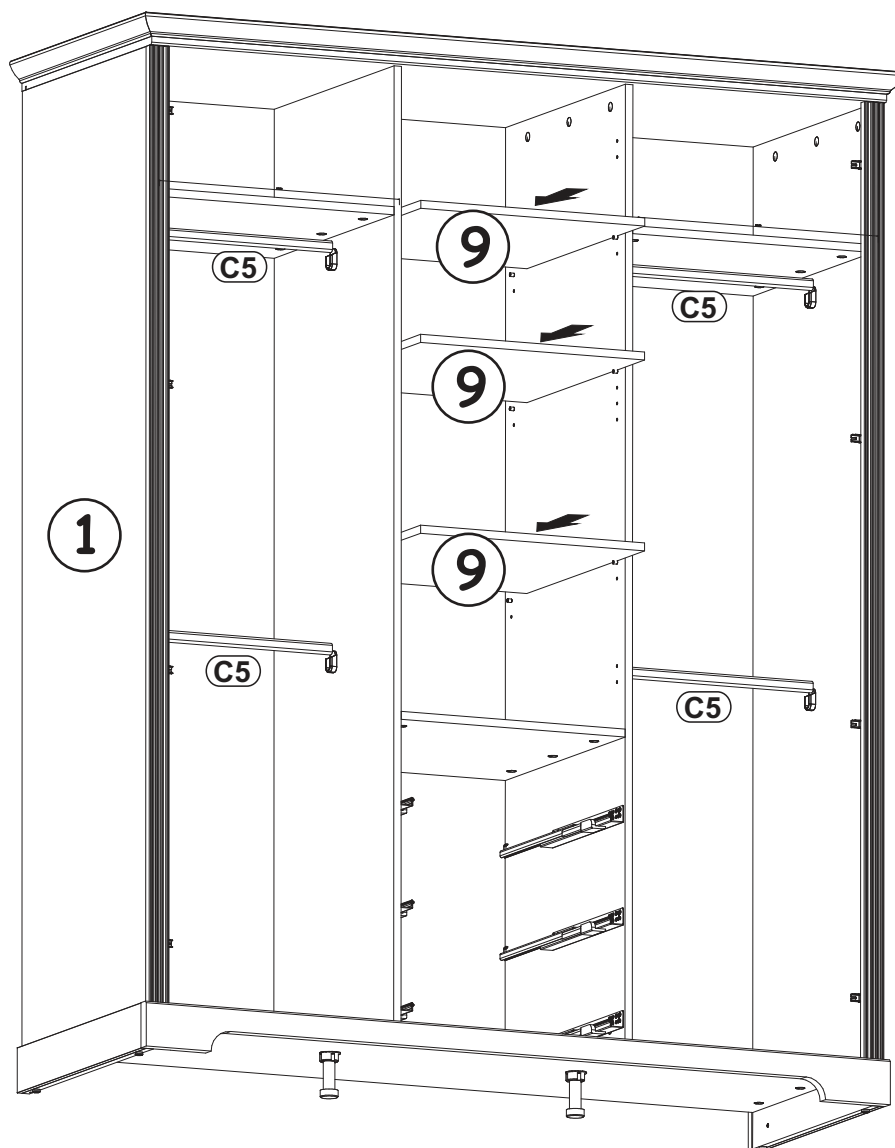
D20	
x4	ESØ6,3x9,5

QU	
x1	L-500mm

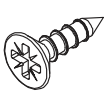
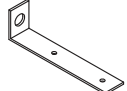

UP11	
x10	UPØ4x20

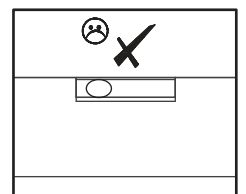
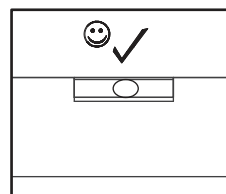
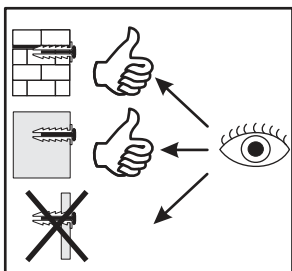
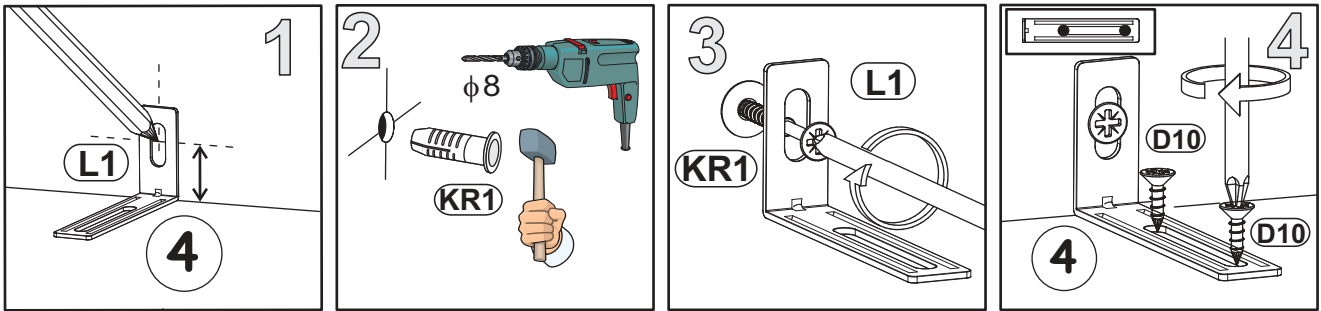


C5	 L-509mm.
x4	

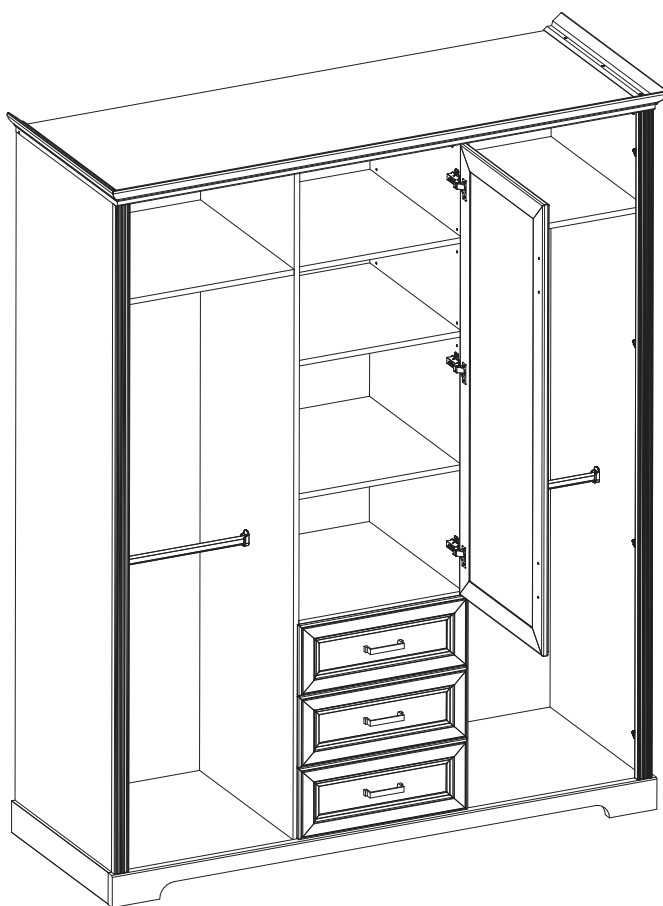


26

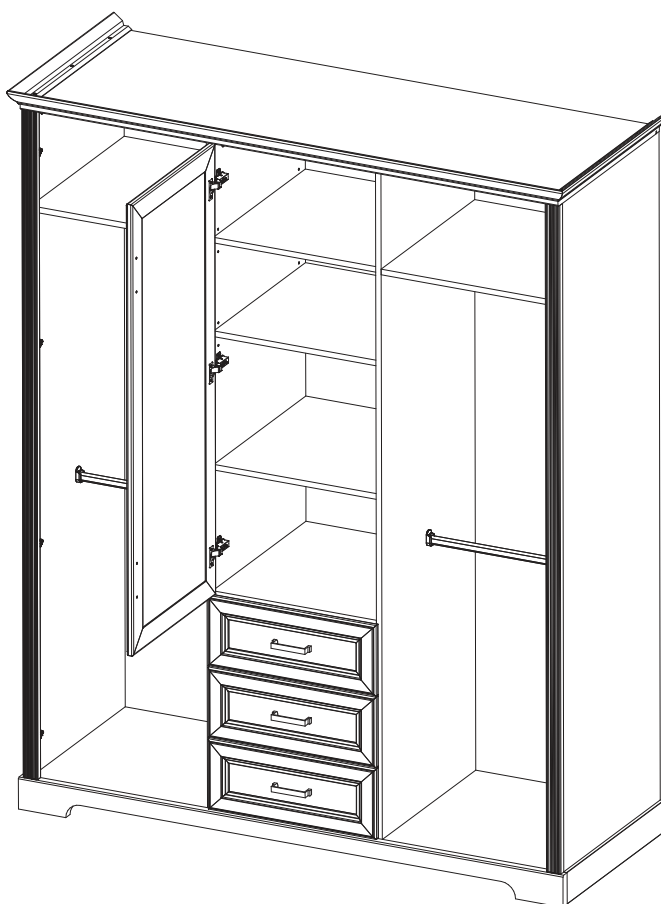
D10		L1		KR1	
x4	USØ3,5x13	x2		x2	Ø8



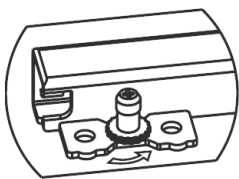
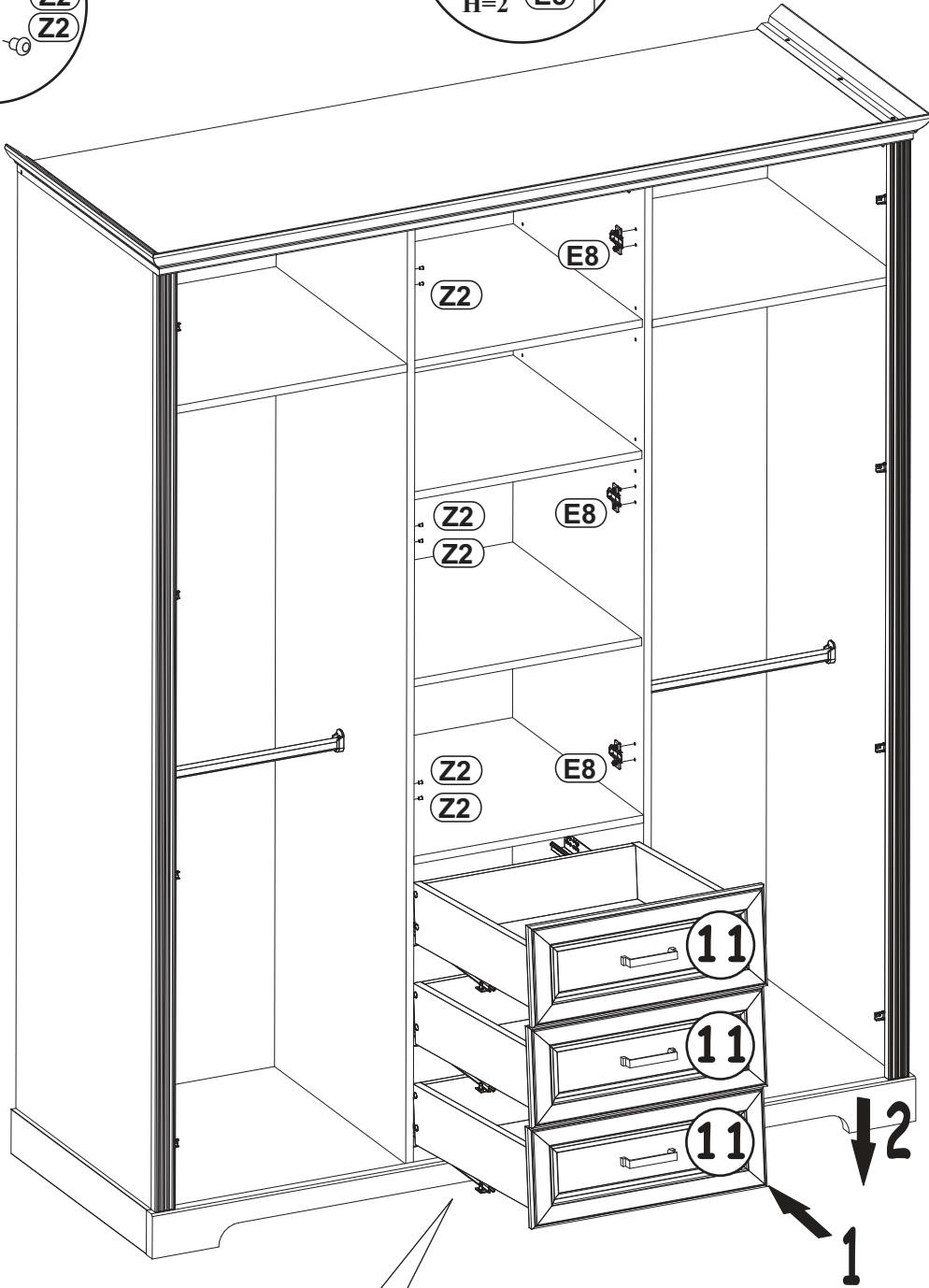
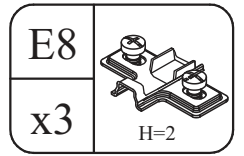
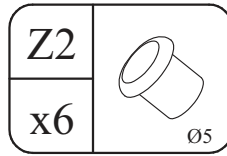
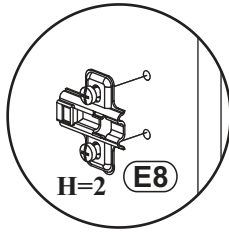
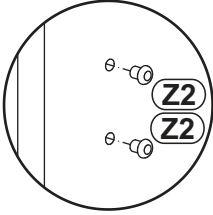
27 - 30



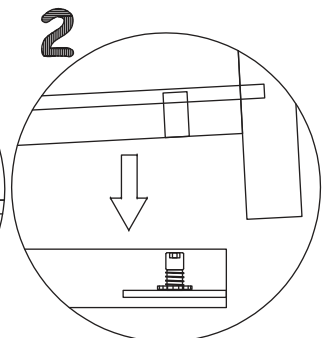
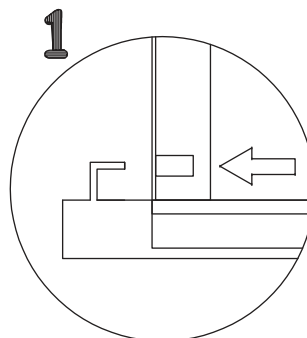
31 - 34



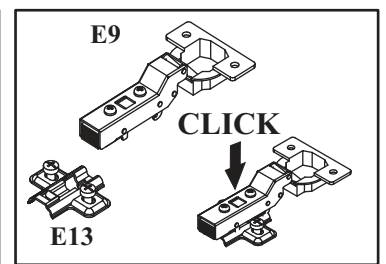
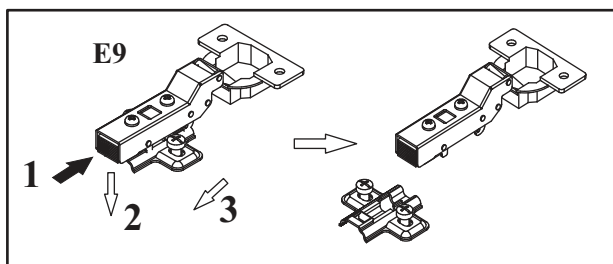
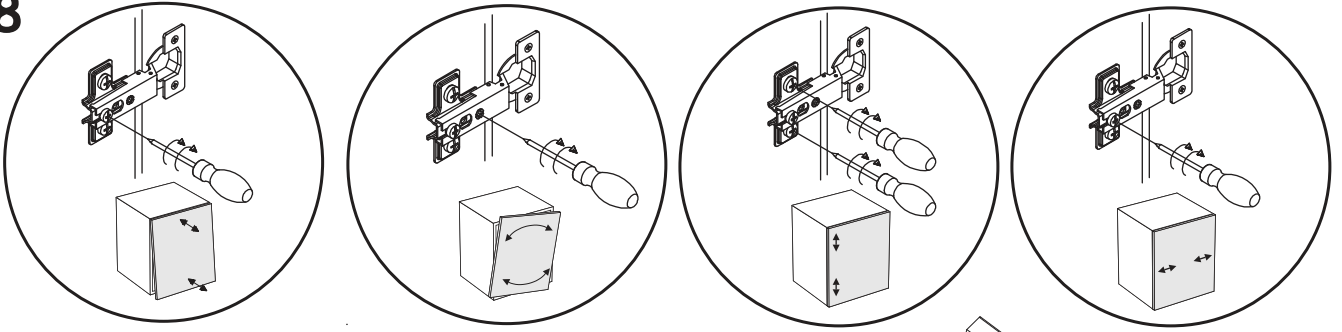
27



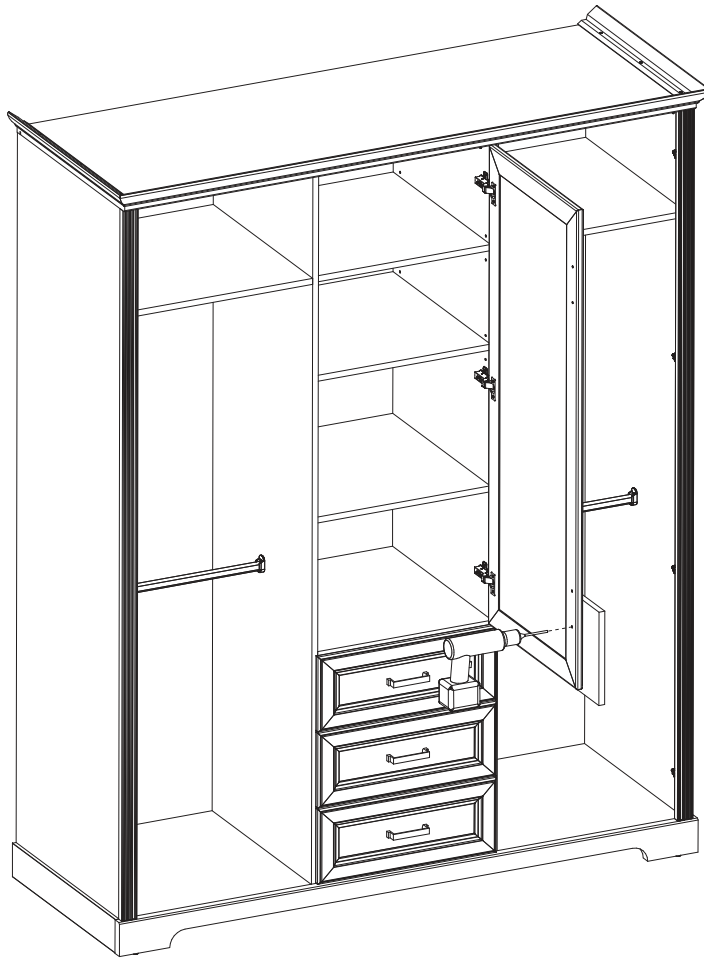
↑ +4 mm



28

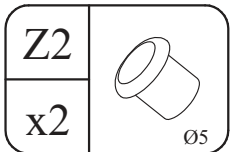
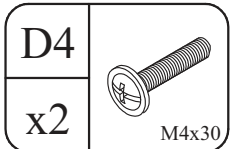
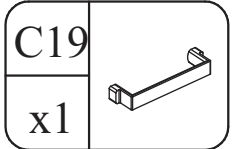
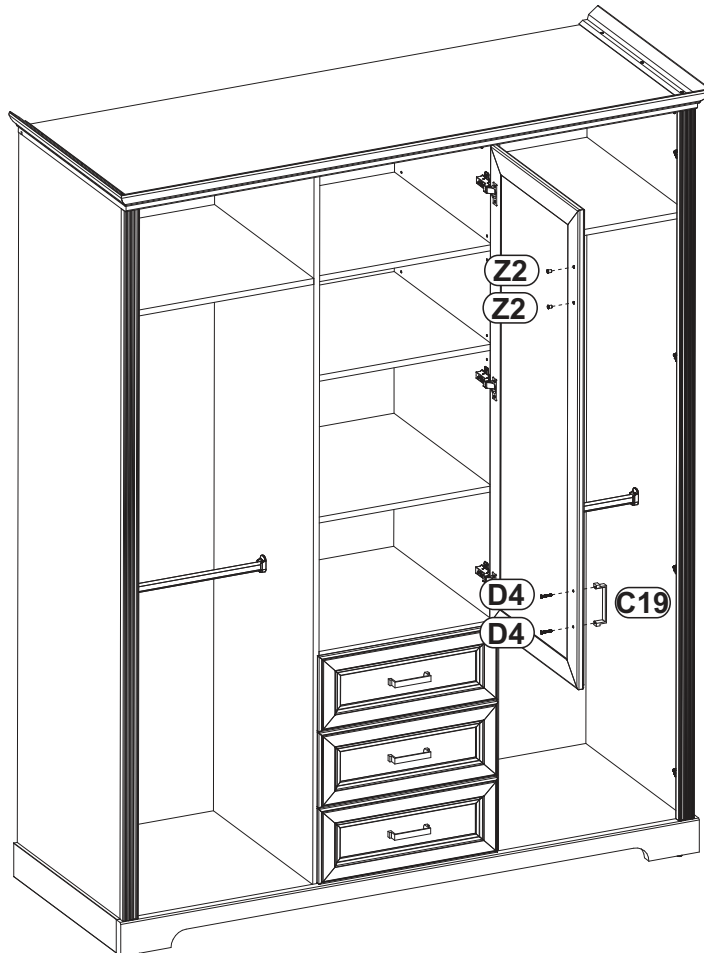


29

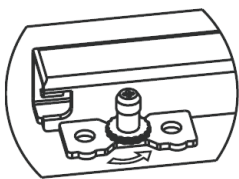
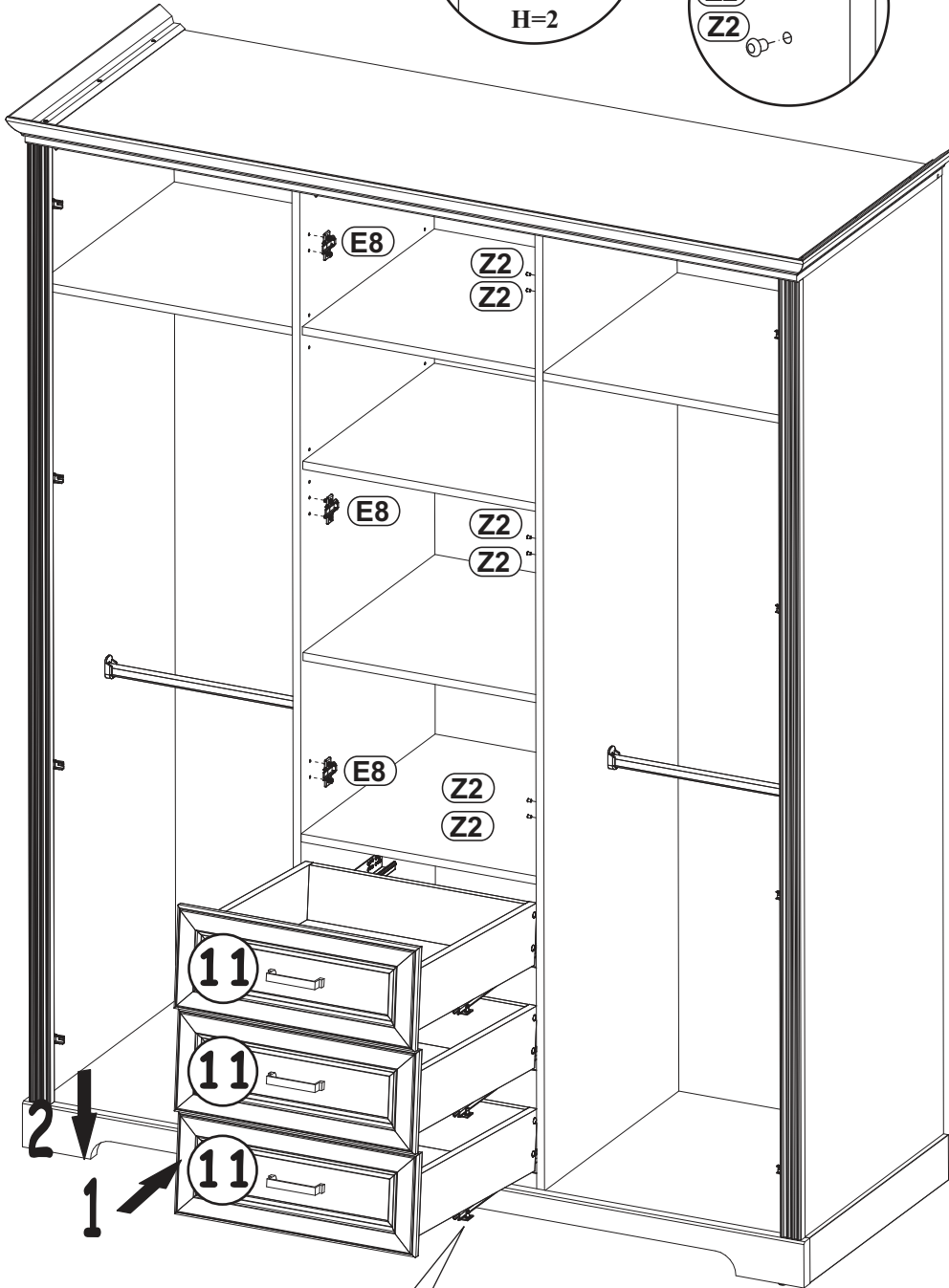
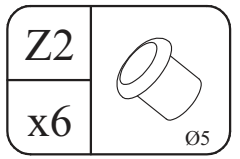
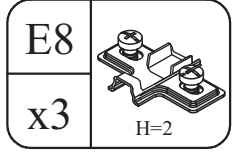
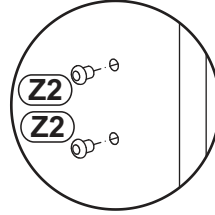
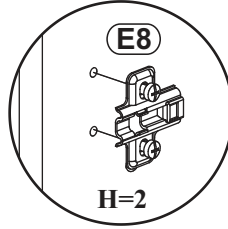


ø5

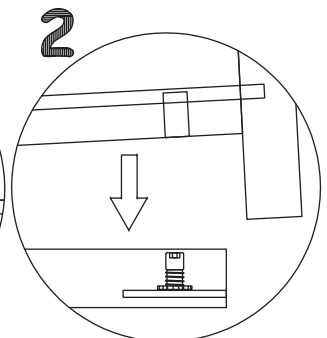
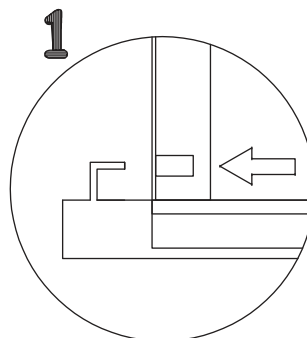
30



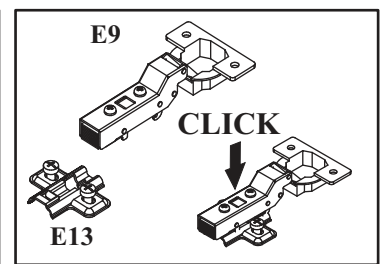
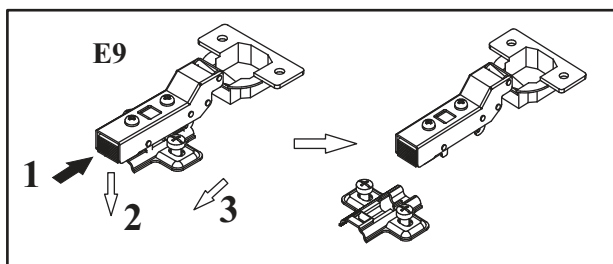
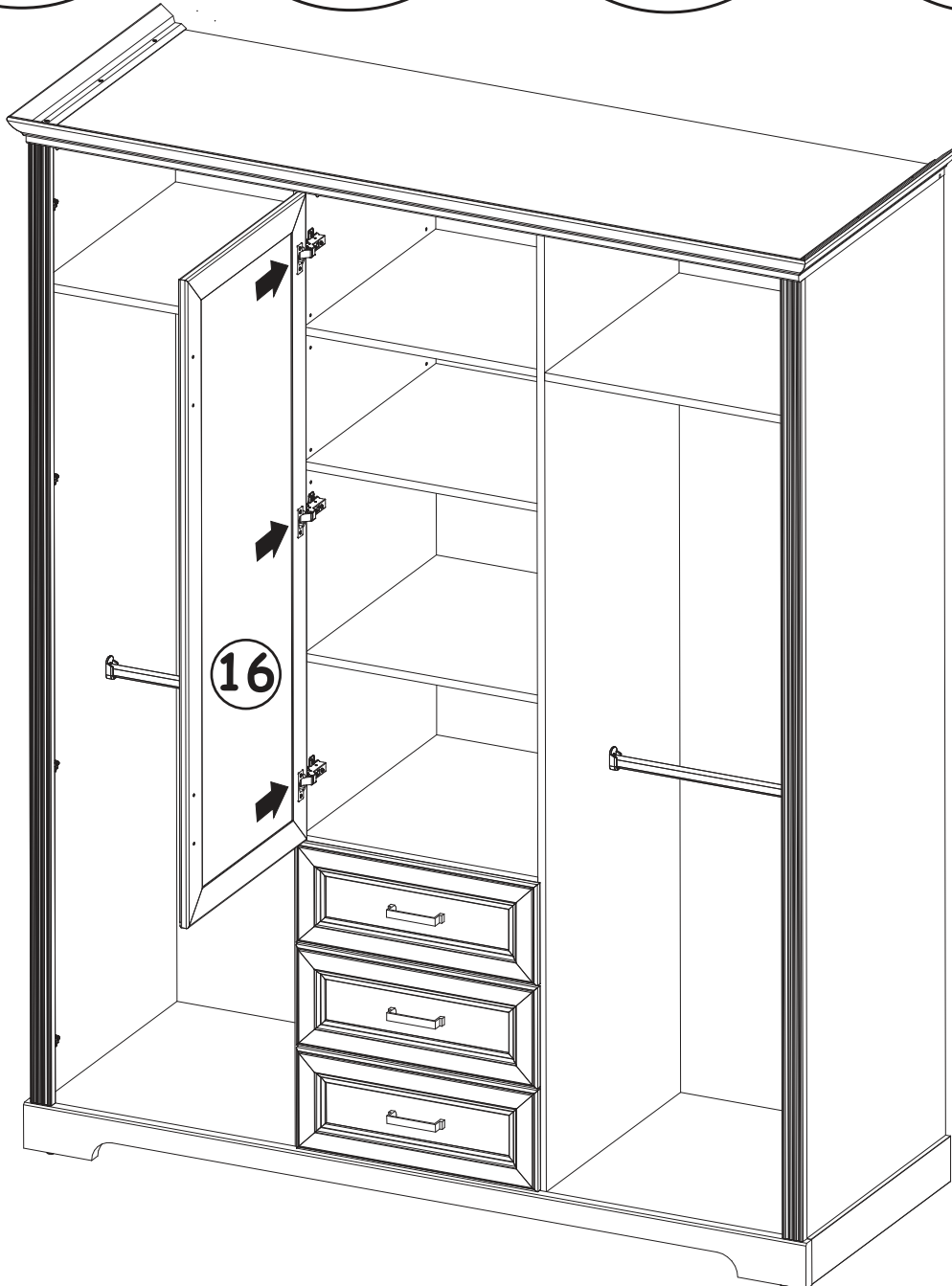
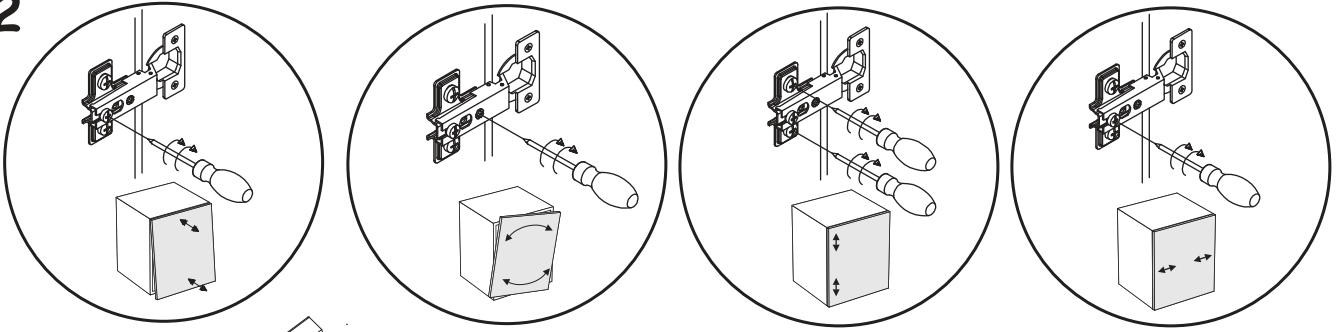
31



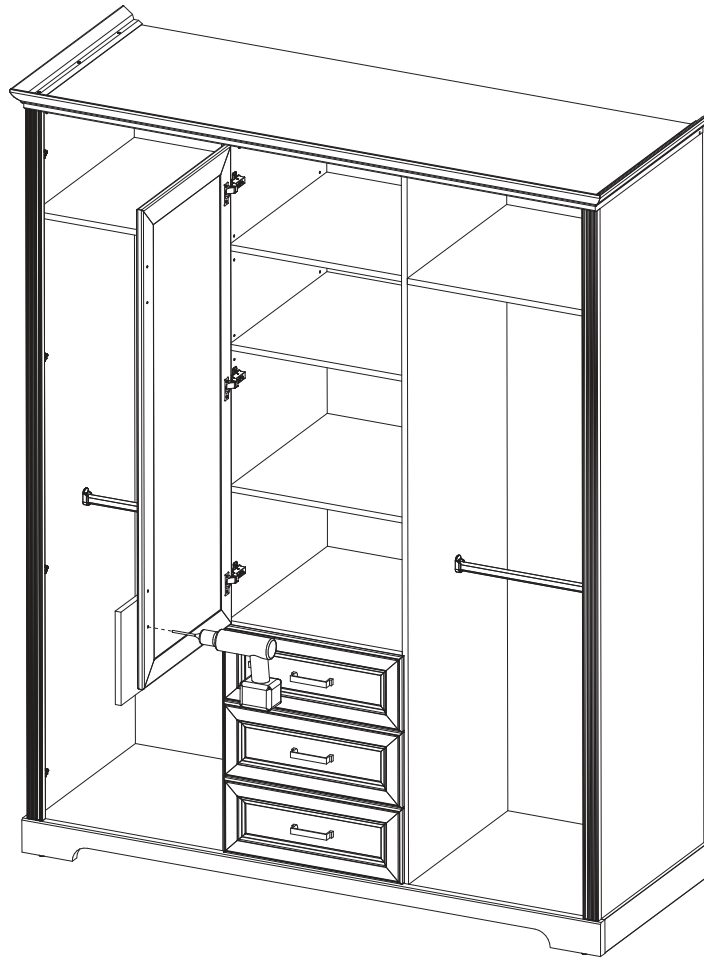
↑ +4 mm



32

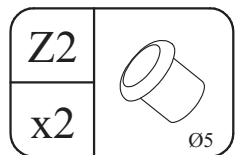
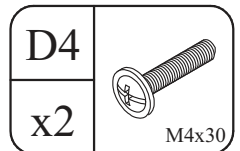
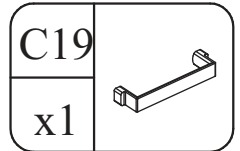
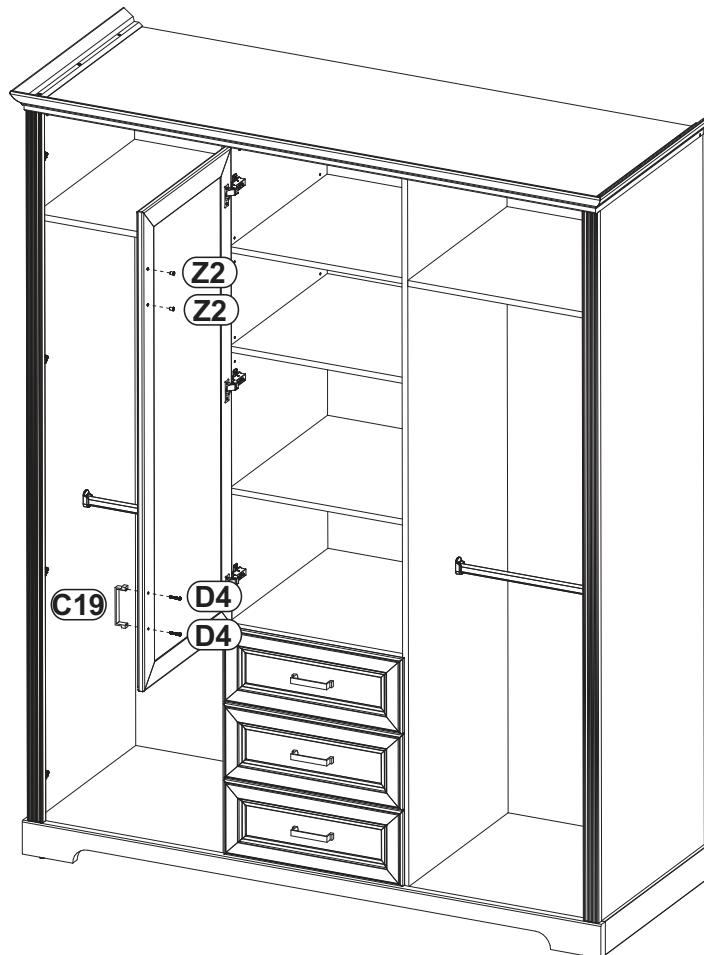


33

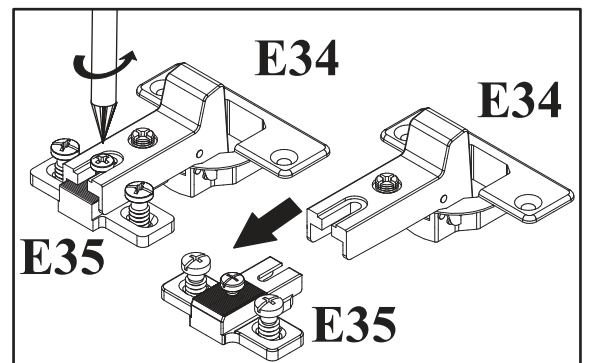
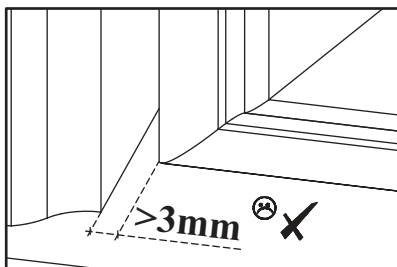
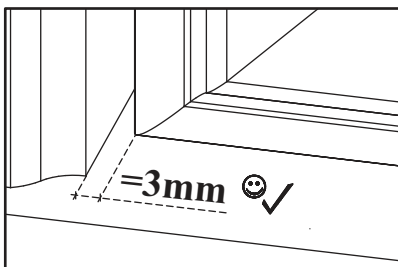
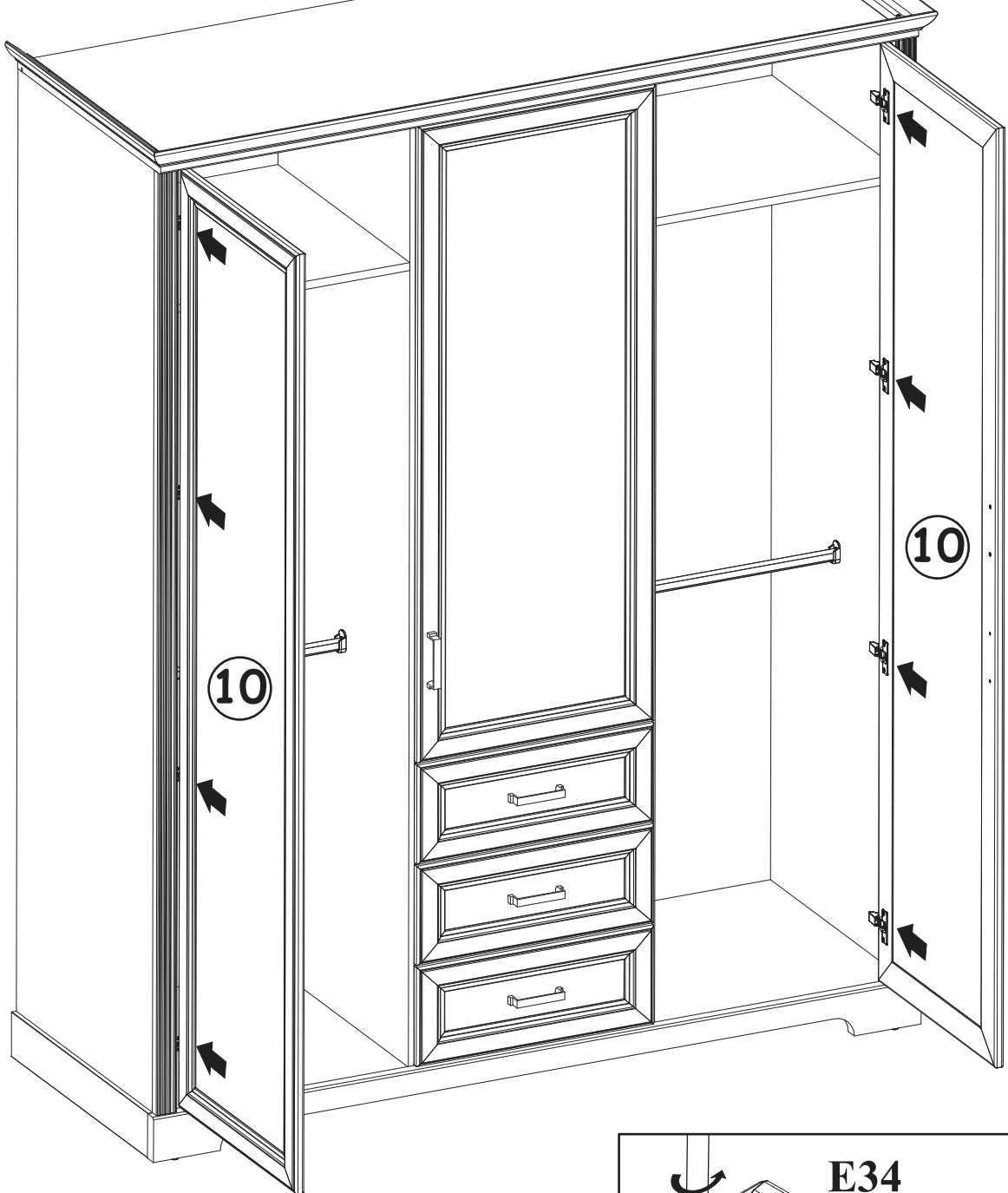
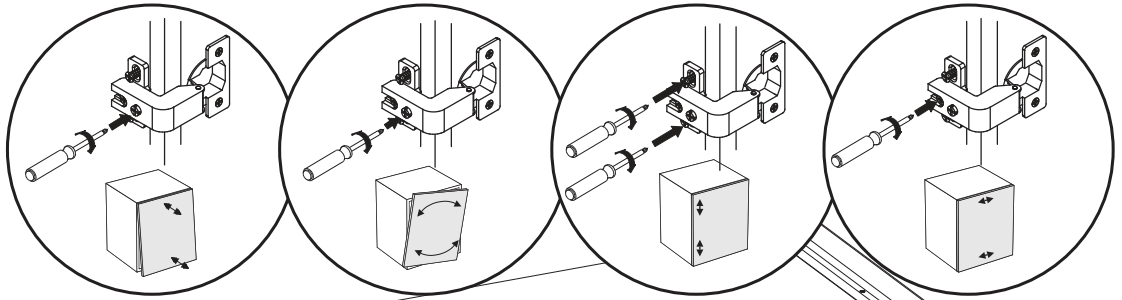


ø5

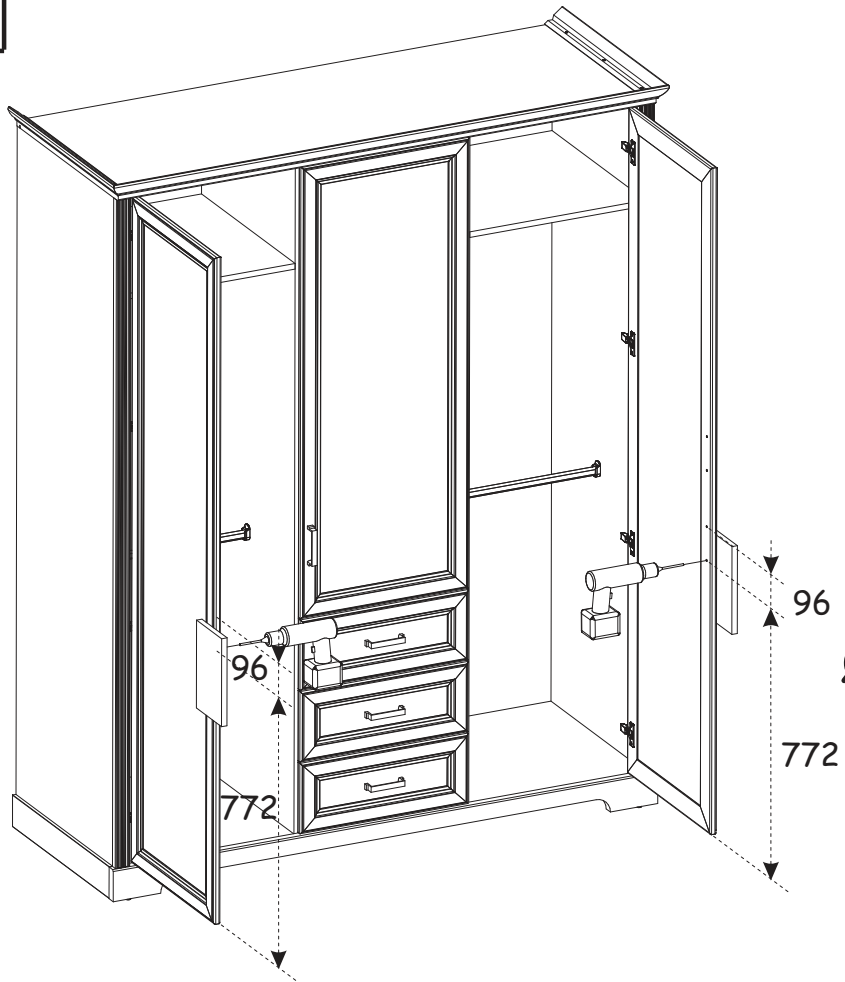
34



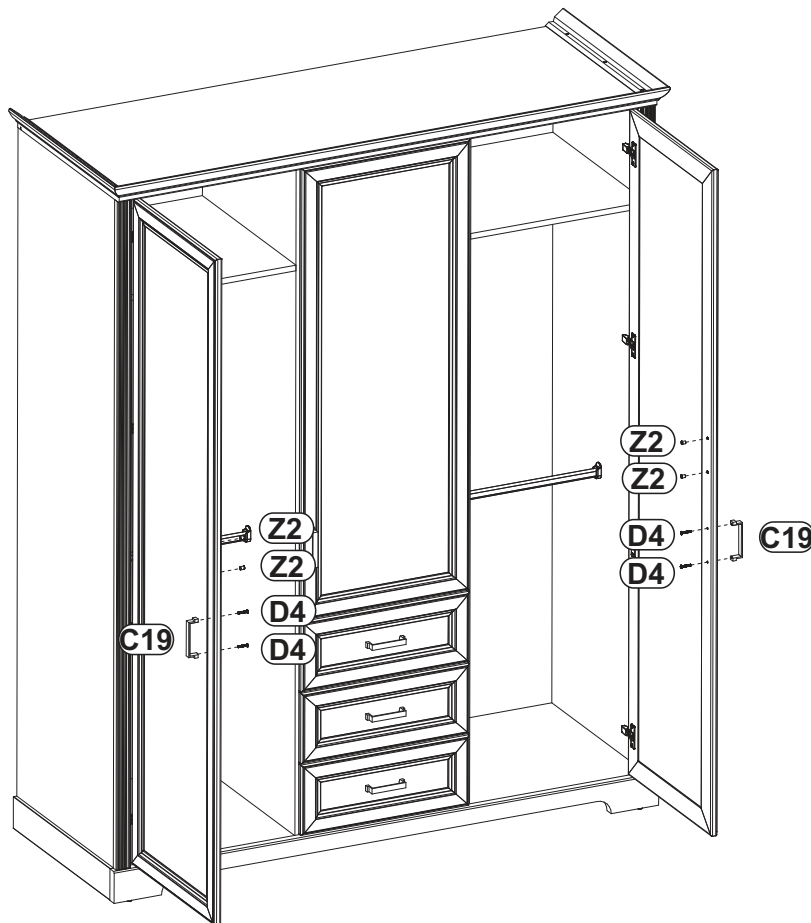
35



36



37



- | | |
|-----|-------|
| C19 | |
| x2 | |
| D4 | |
| x4 | M4x30 |
| Z2 | |
| x4 | ø5 |