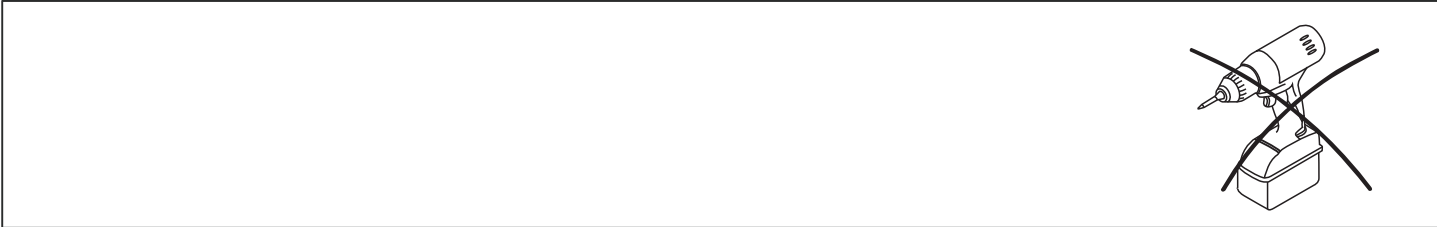
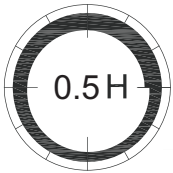
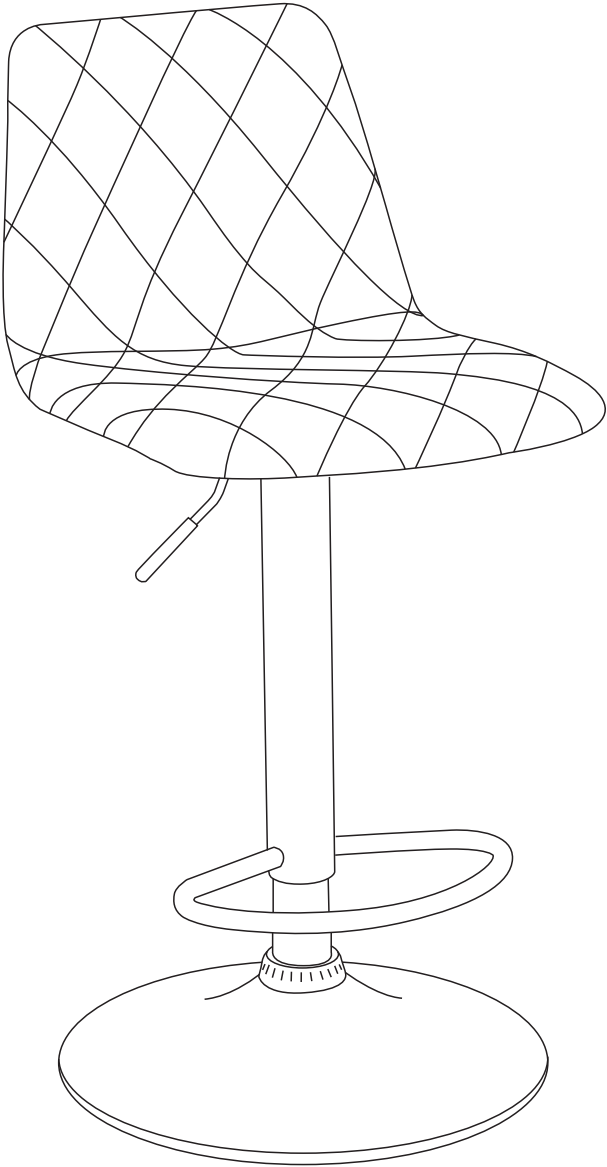
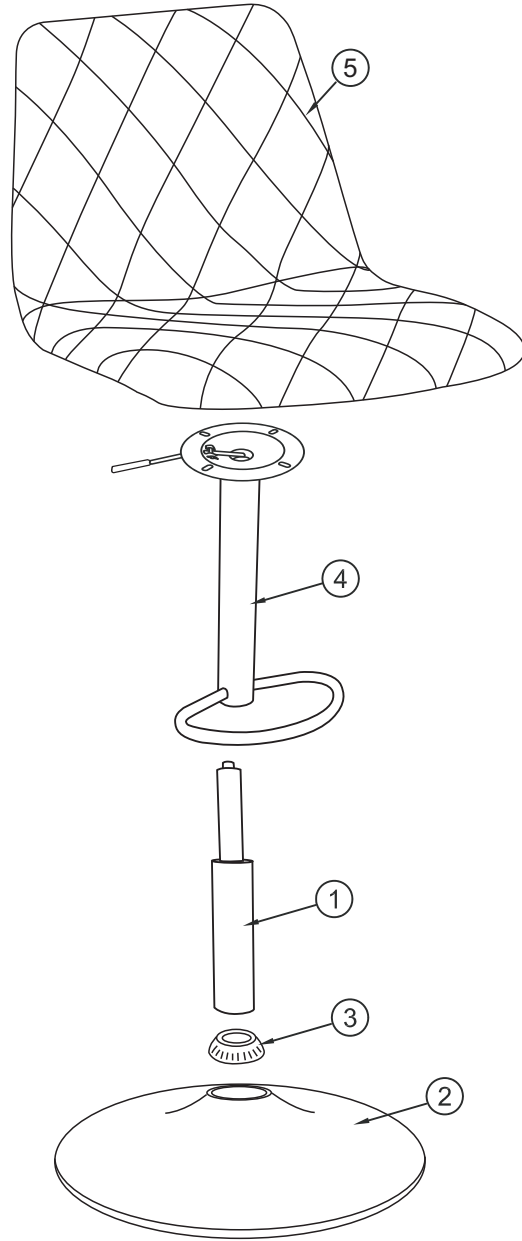
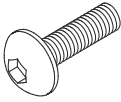
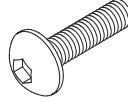
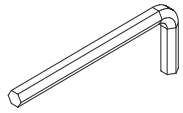


# EMU

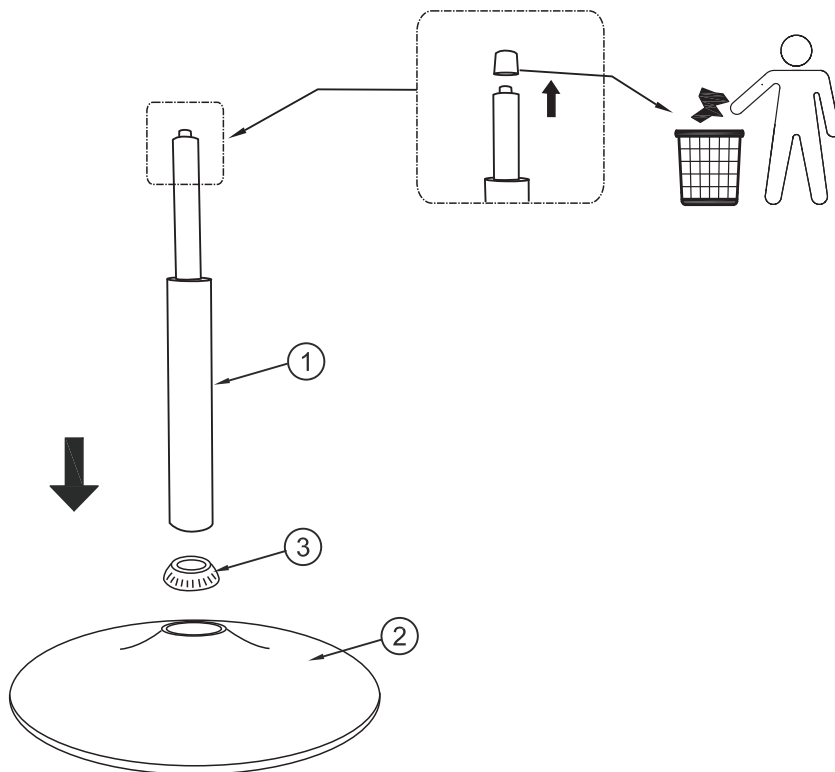


			✓
①	1	Ø50 x(520x730)	
②	1	Ø450x1.2	
③	1	(Ø64-Ø74)x 20	
④	2	400x220x305	
⑤	1	400x500x270	

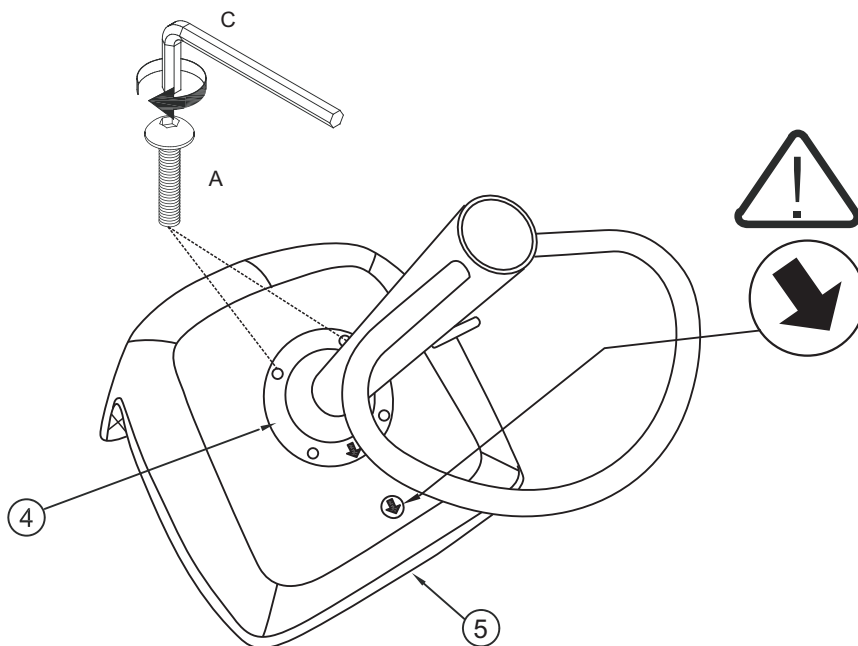
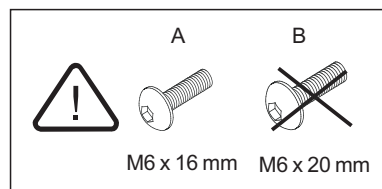
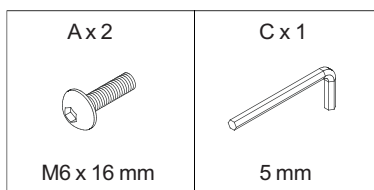


<p>A x 2</p>  <p>M6 x 16 mm</p>	<p>B x 2</p>  <p>M6 x 20 mm</p>	<p>C x 1</p>  <p>5 mm</p>
--	--	--

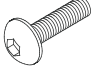

# 1

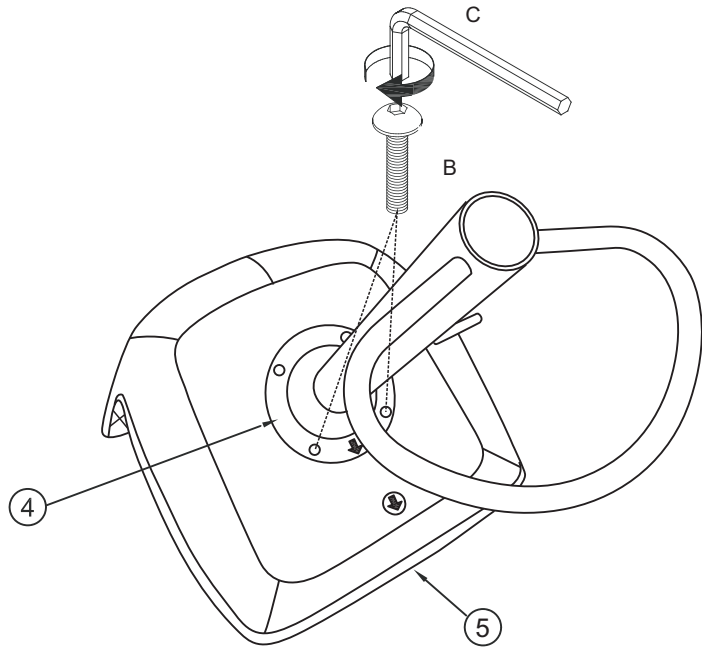


# 2

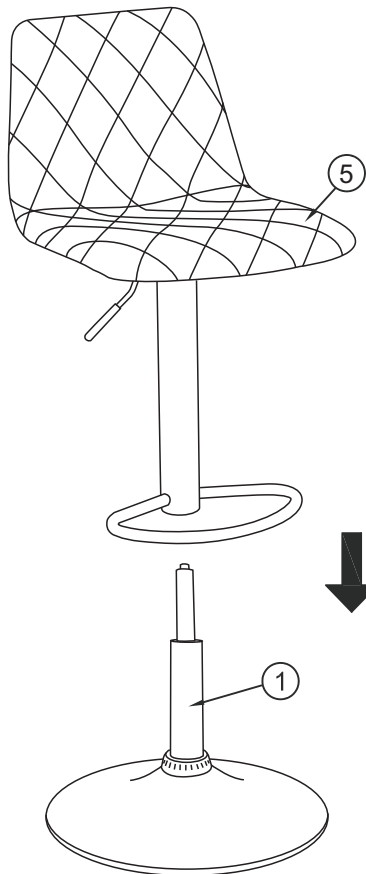


# 3

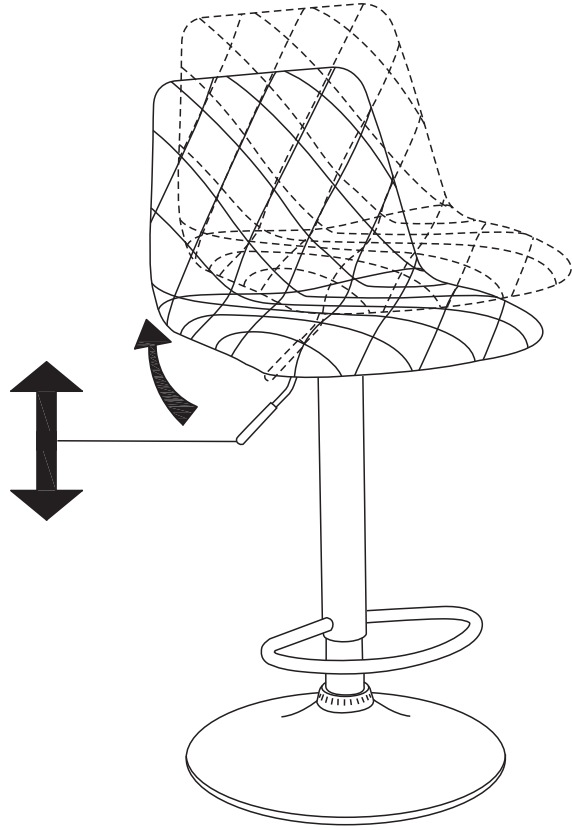
B x 2	C x 1
	
M6 x 20 mm	5 mm



# 4



5



---

6

