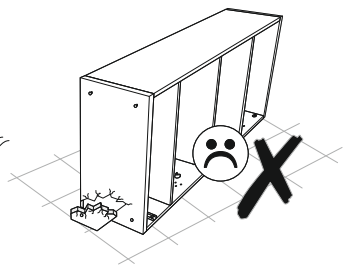
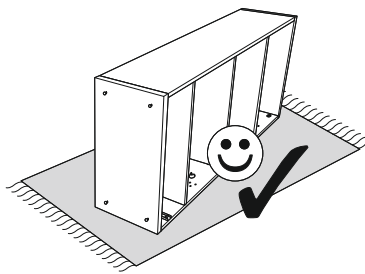
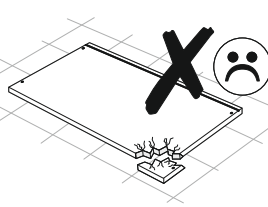
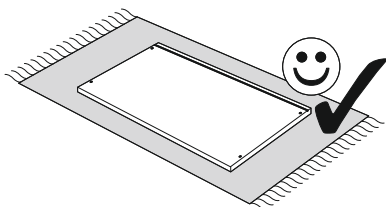
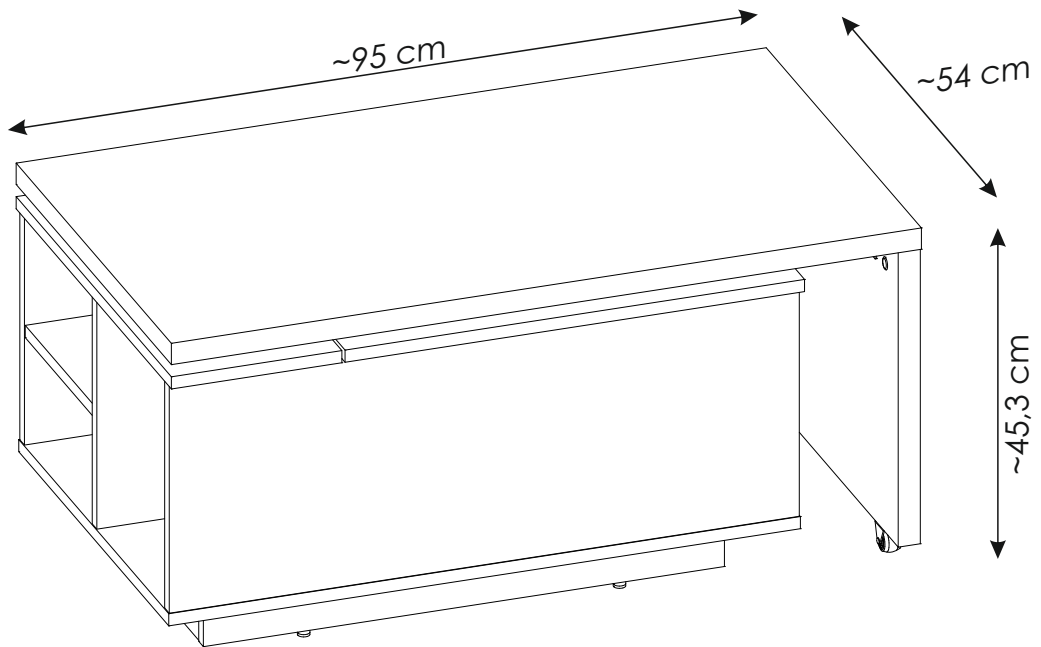
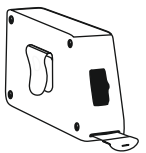
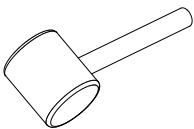
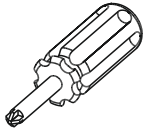
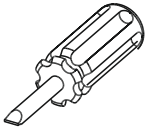
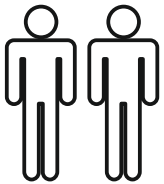
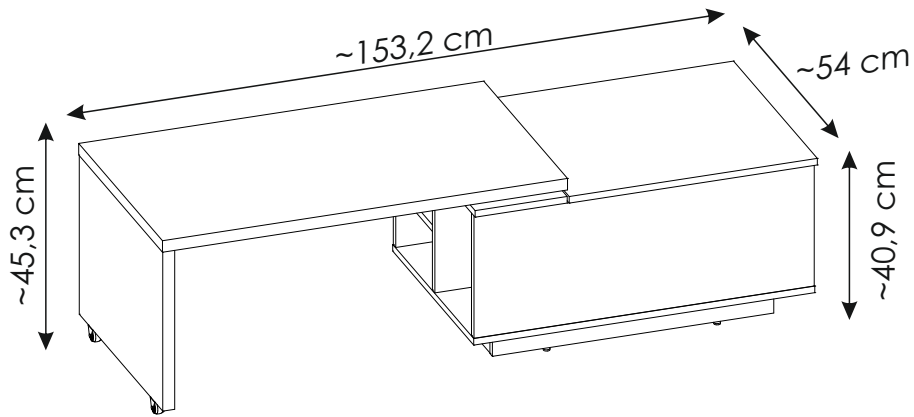
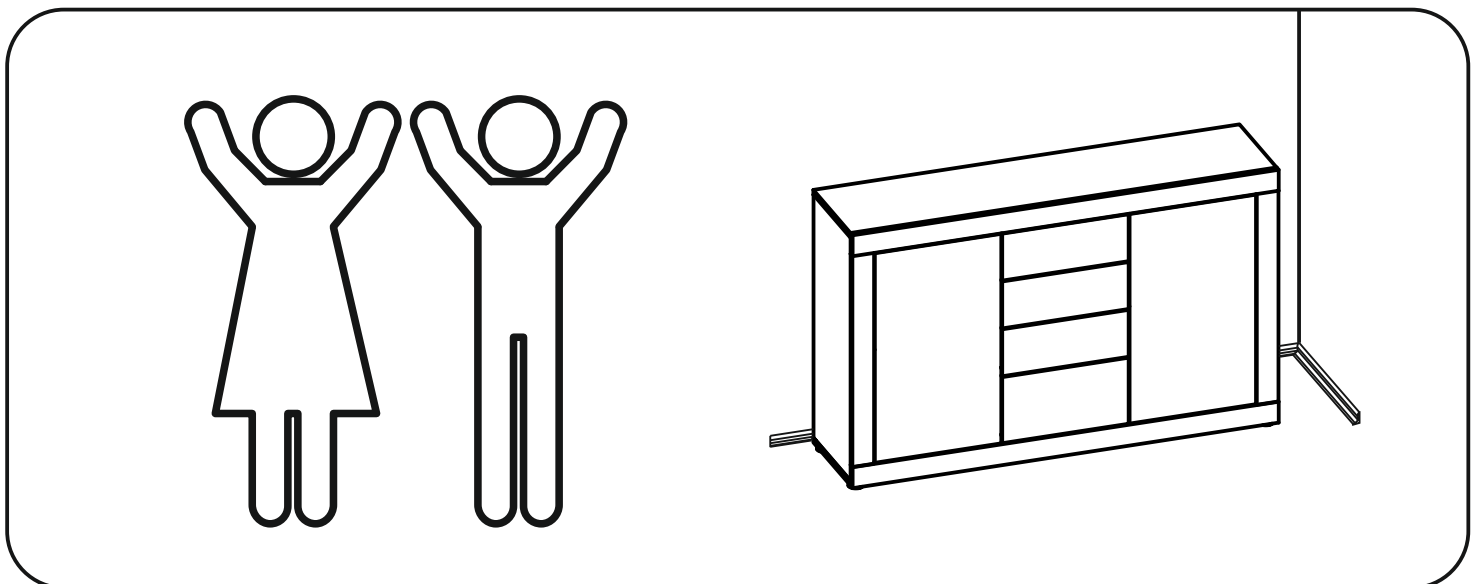
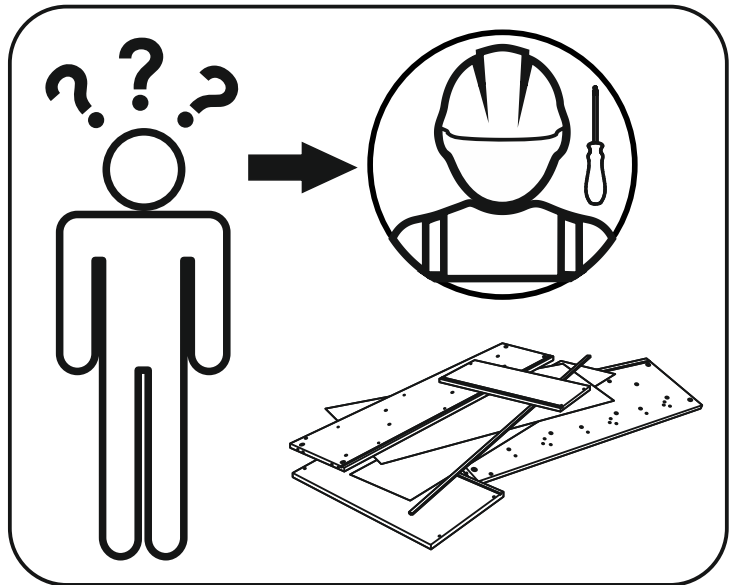
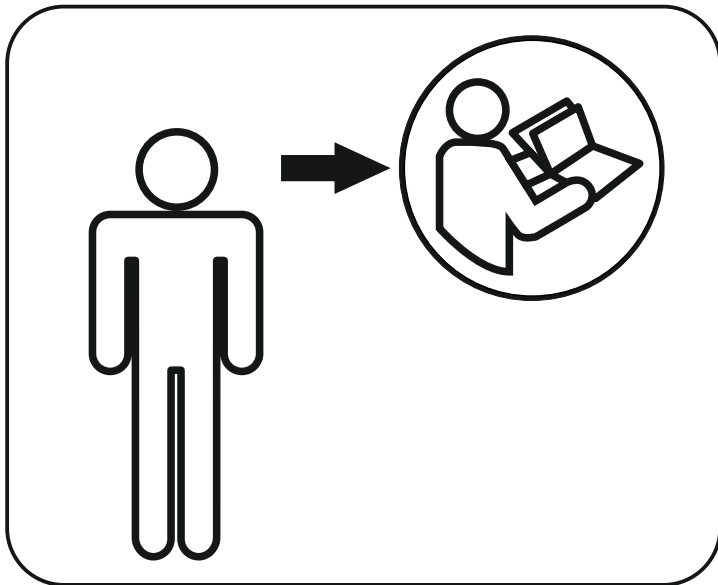
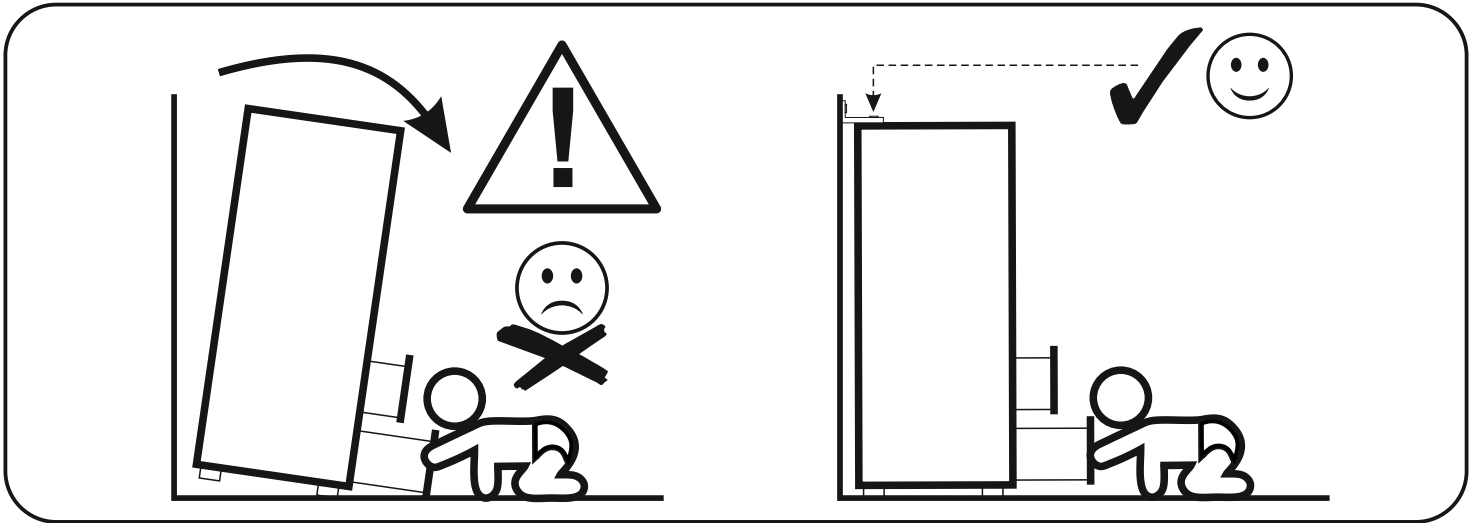
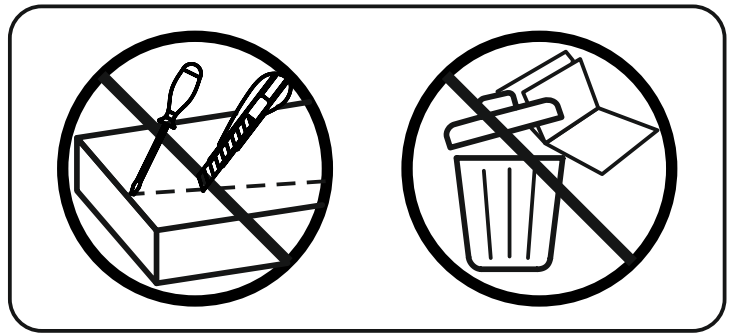
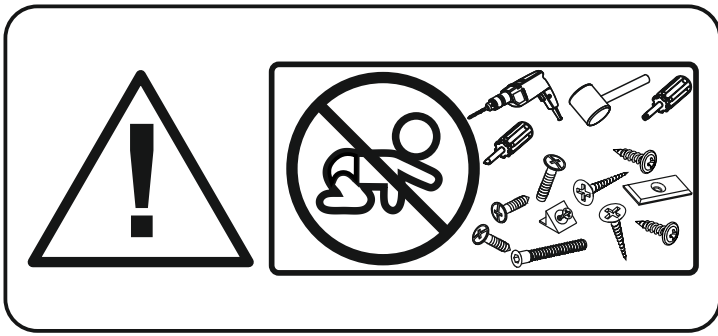
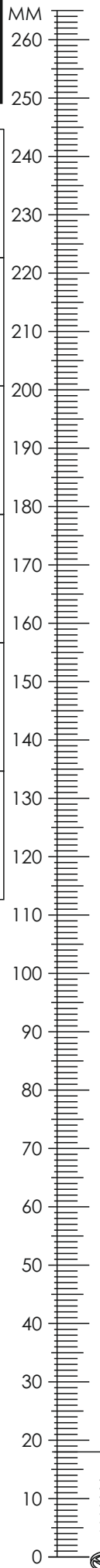


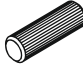
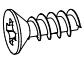
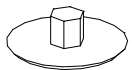

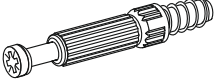

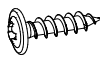
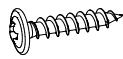
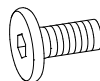
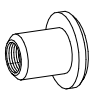
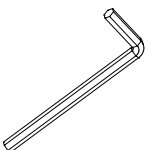
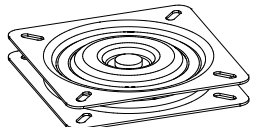
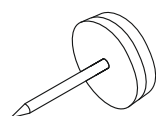
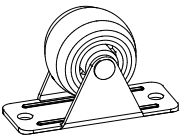
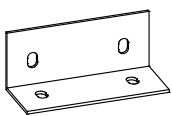
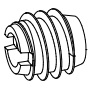
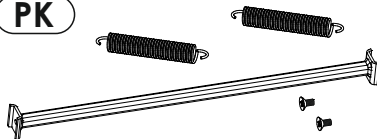
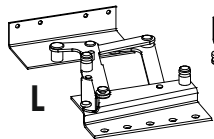
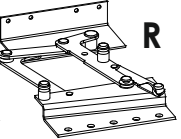
MWTT04



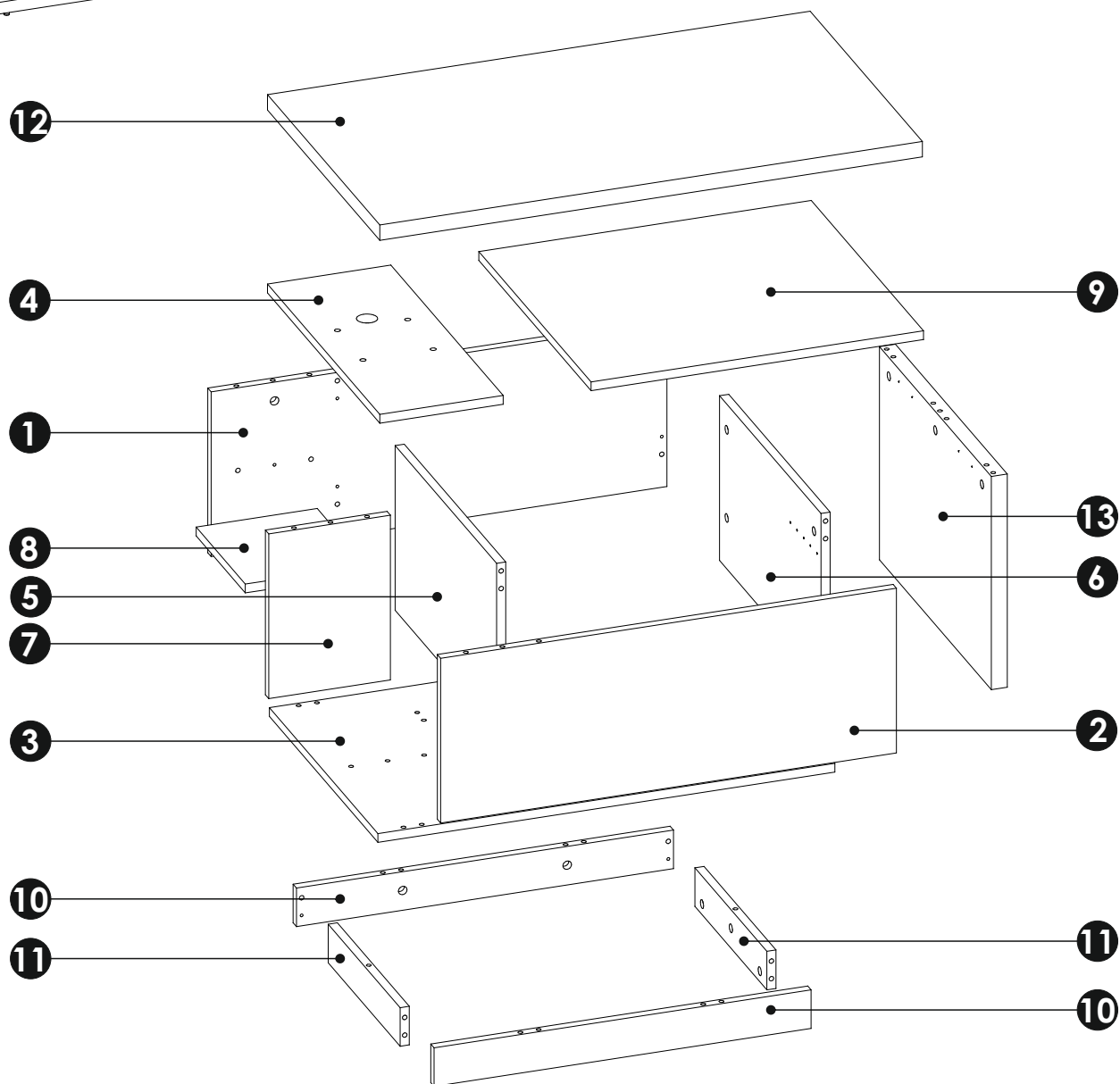
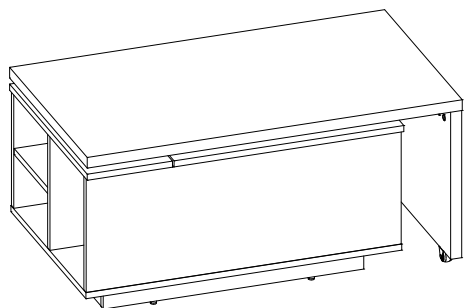


MWTT04



A1 8 x 35 mm x40 	C2 5 x 13 mm x18 	E0 Ø16 x14 
E1 15 x 12 mm x26 	F1 6 x 34 mm x26 	G1 7 x 50 mm x11 
I2 4 x 16 mm x4 	I9 4 x 20 mm x8 	K17 6 x 12 mm x8 
K20 6 x 10 mm x4 	M x2 	OB x1 
O2 x6 	O7 x2 	Q6 x2 
S19 x4 	PK  L  R  x1	

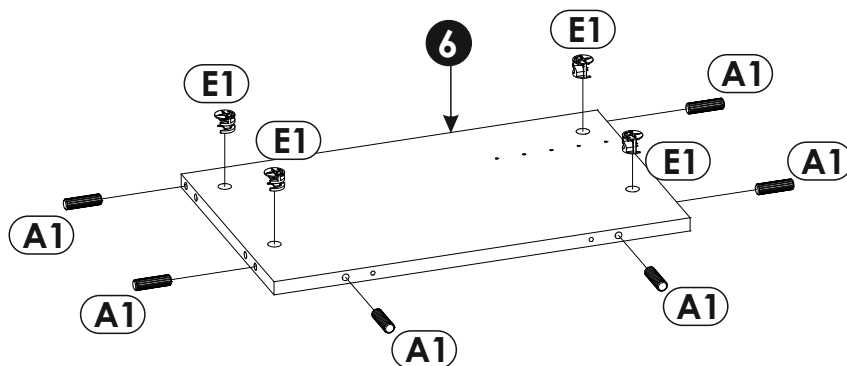
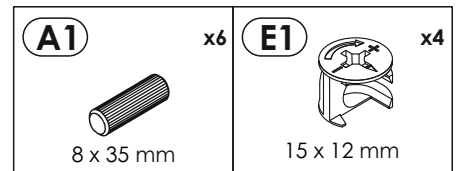
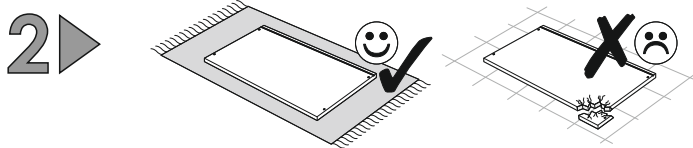
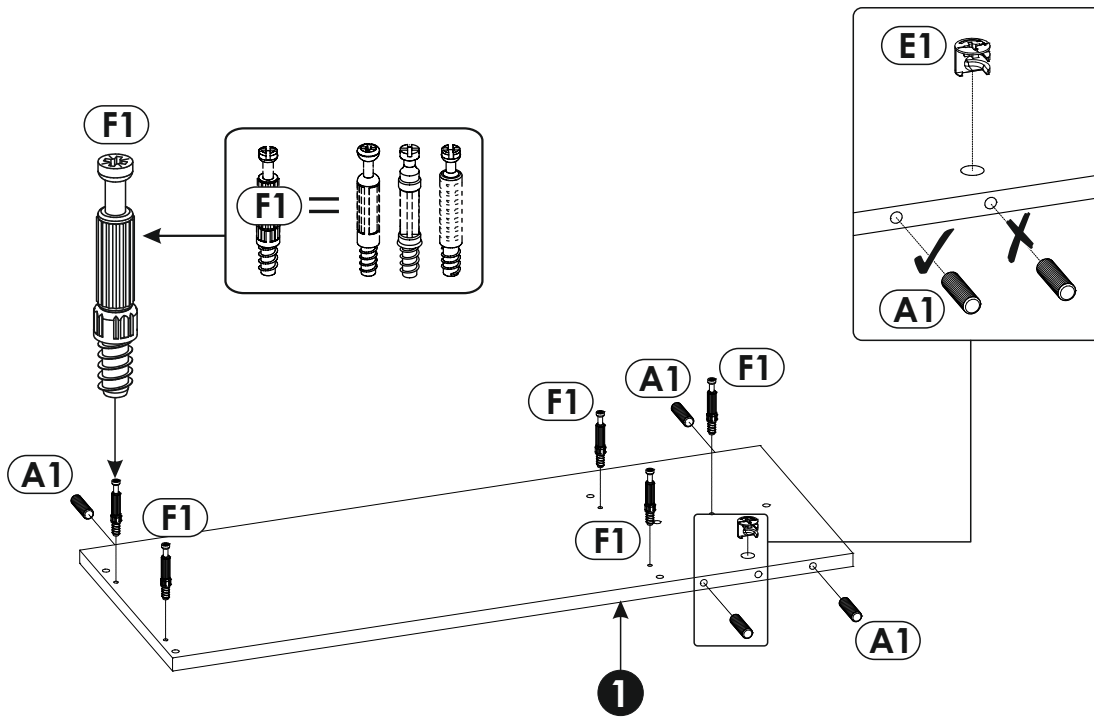
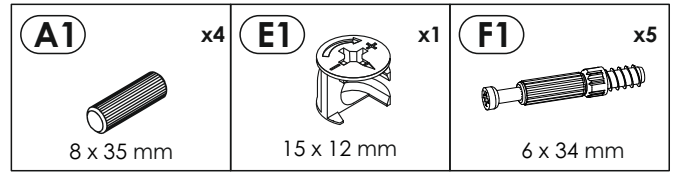
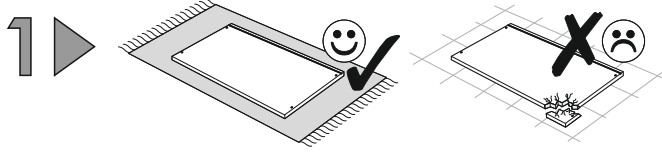
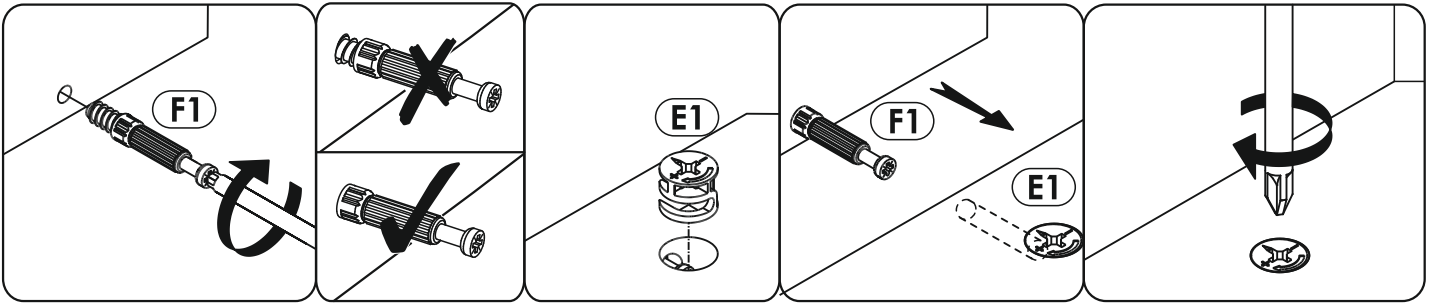
MWTT04

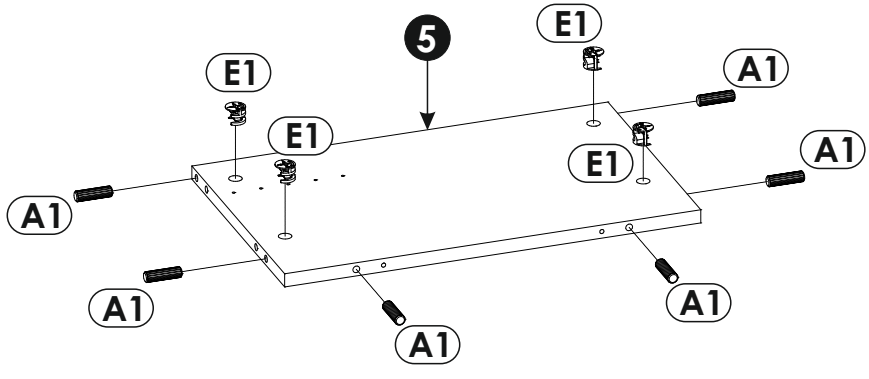
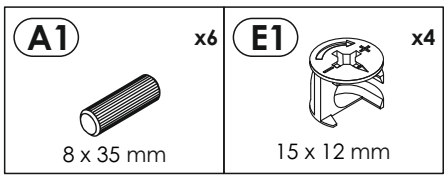
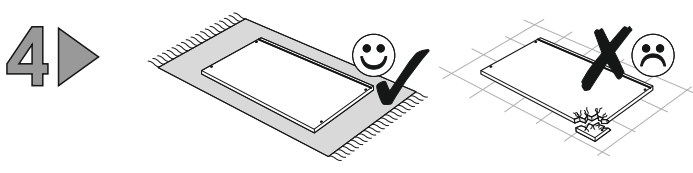
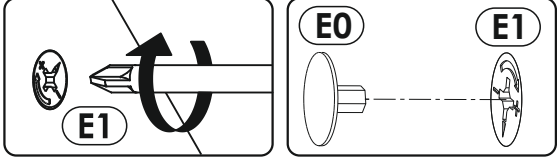
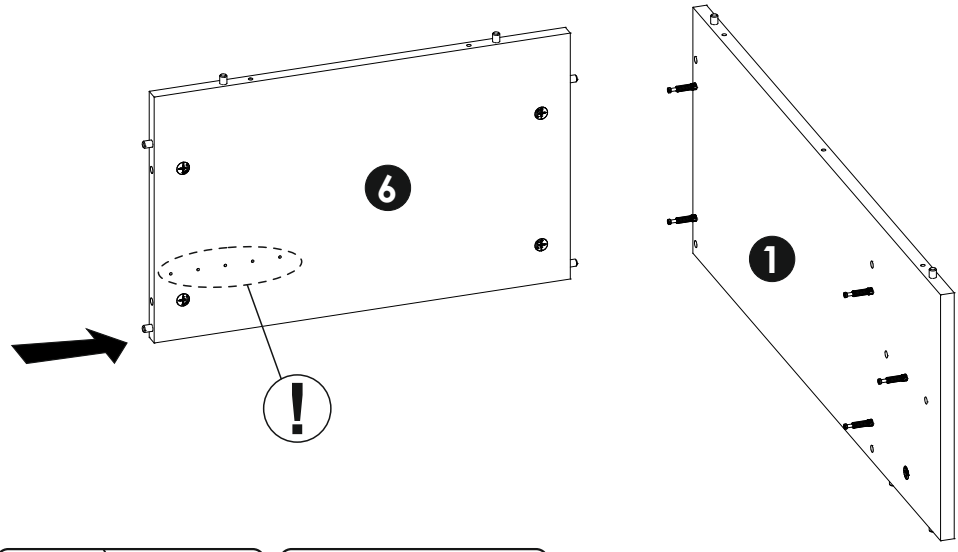
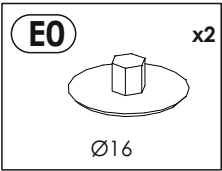
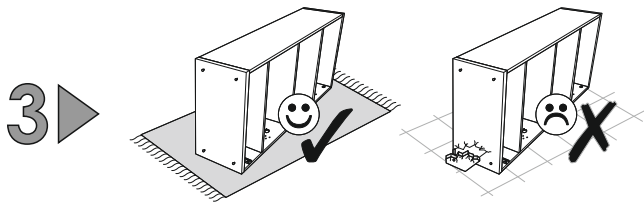


1	798	299	16	x1	1/2
2	798	299	16	x1	1/2
3	800	522	16	x1	1/2
4	216	540	16	x1	2/2

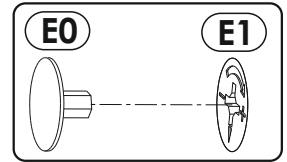
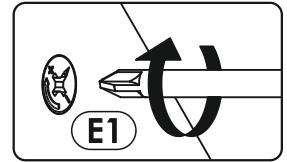
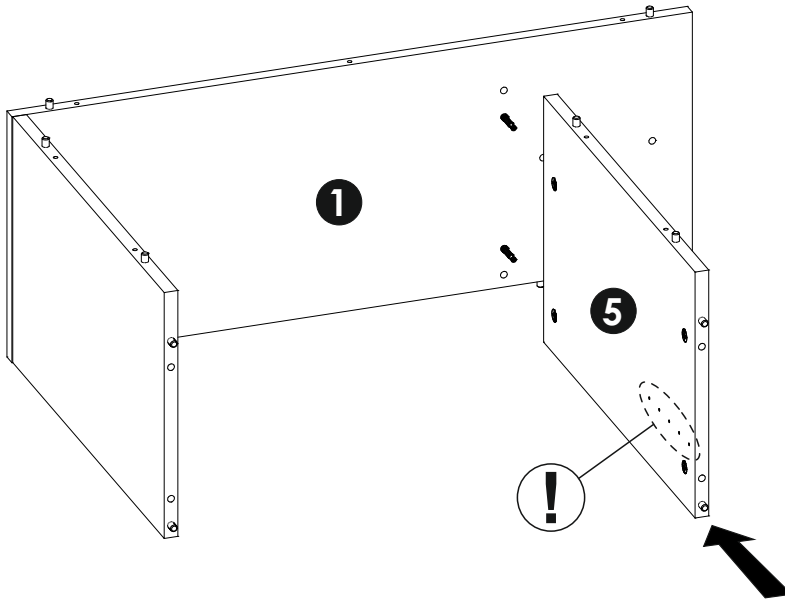
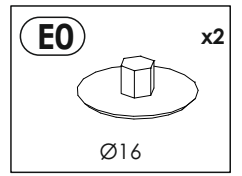
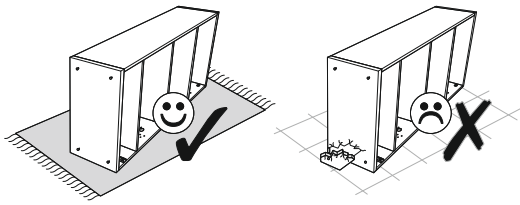
5	488	299	16	x1	1/2
6	488	299	16	x1	1/2
7	299	213	16	x1	1/2
8	236	212	16	x1	1/2

9	540	582	16	x1	2/2
10	660	70	16	x2	1/2
11	346	70	16	x2	1/2
12	950	540	28	x1	2/2
13	387	538	28	x1	2/2

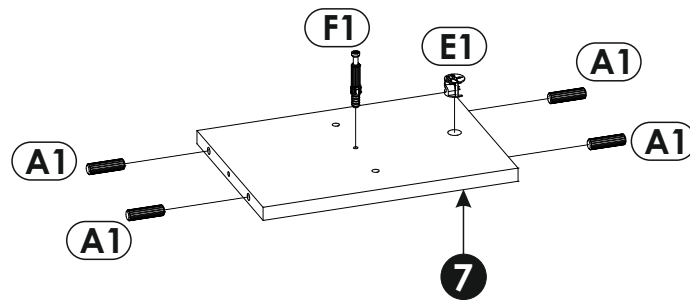
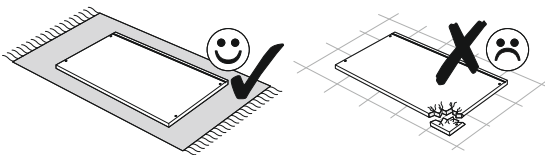


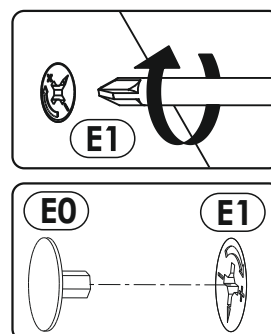
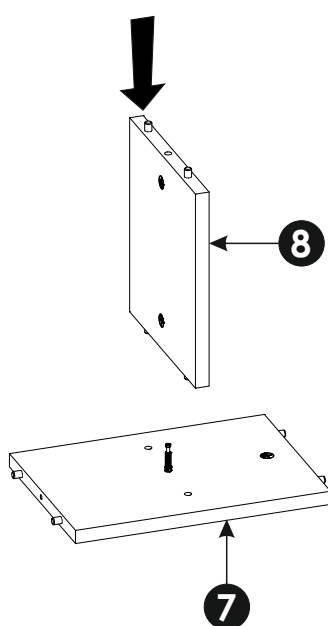
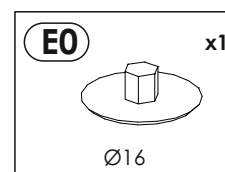
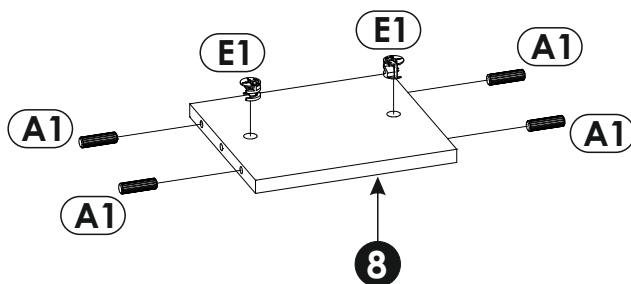
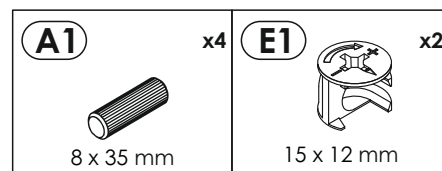
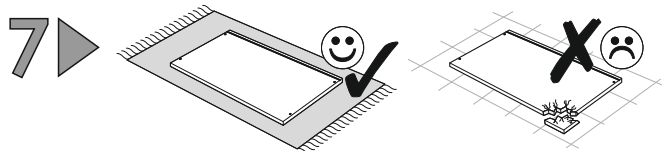


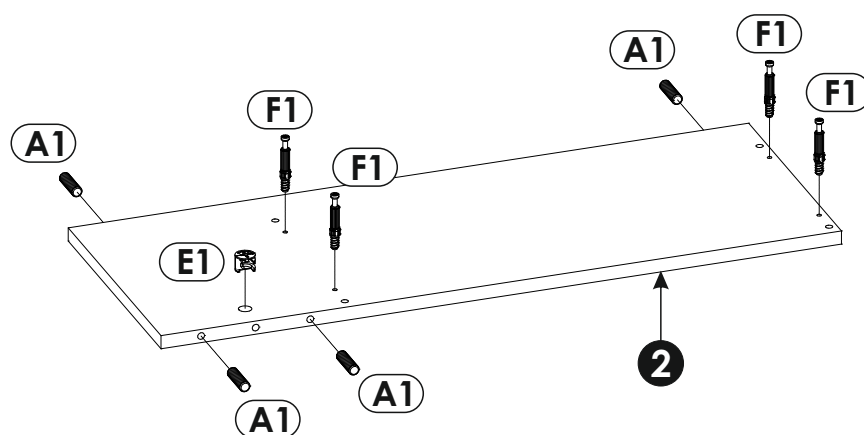
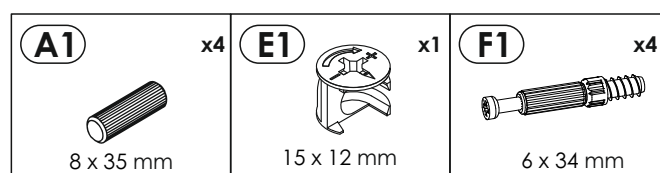
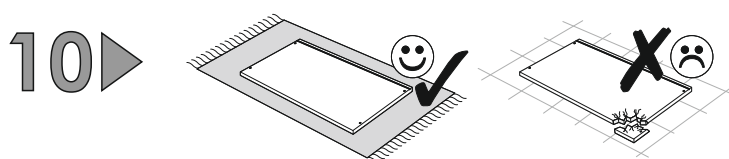
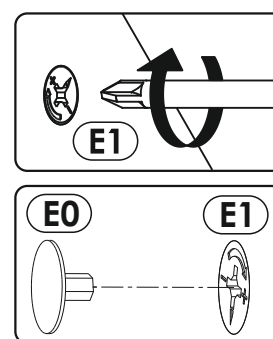
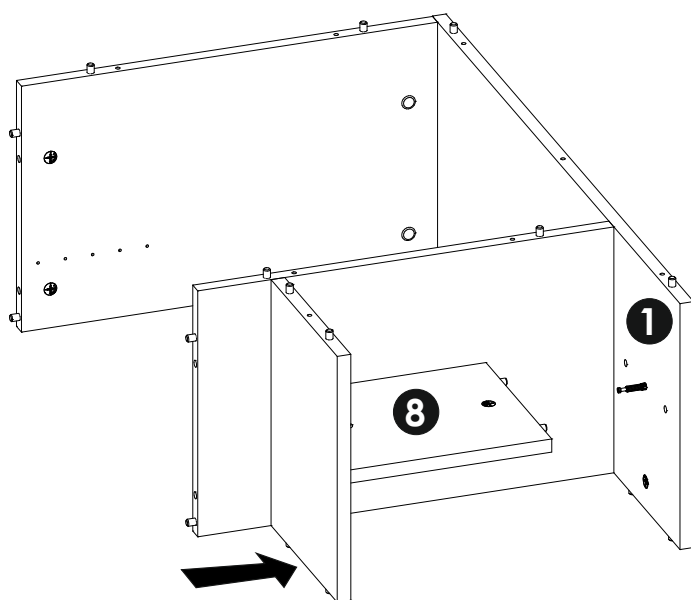
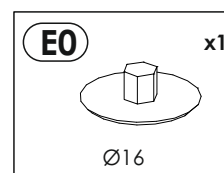
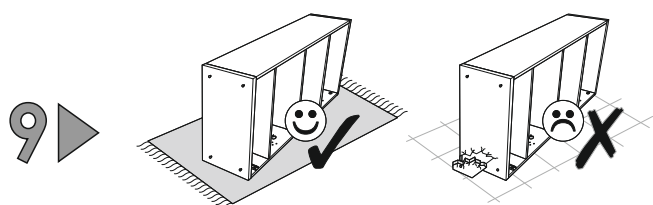
5 ▶

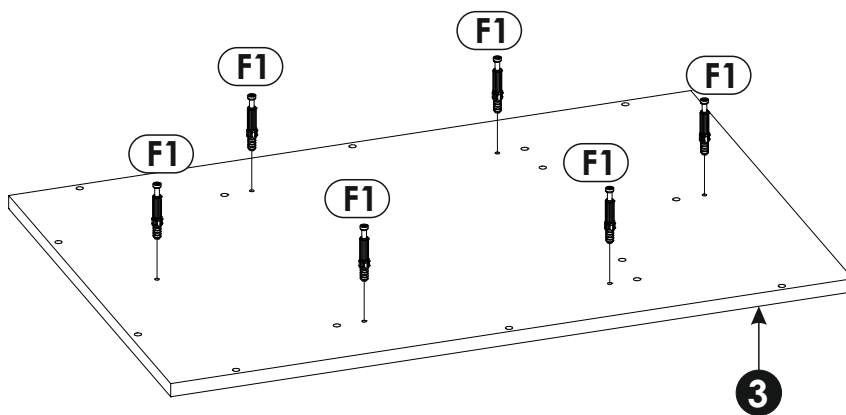
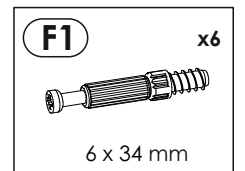
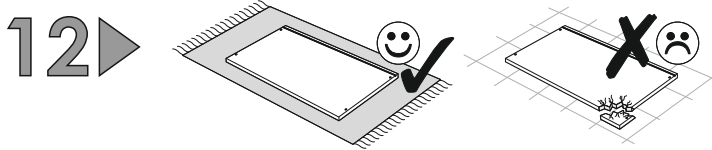
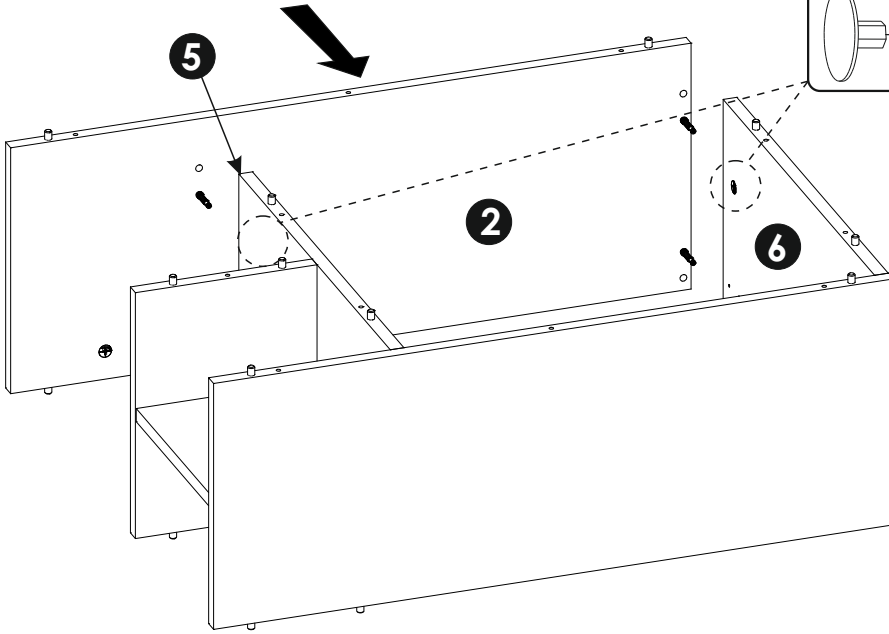
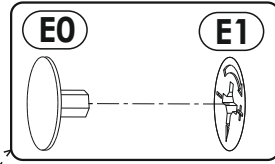
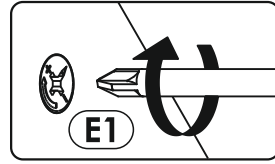
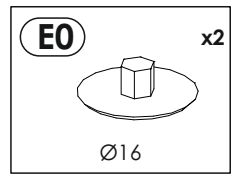
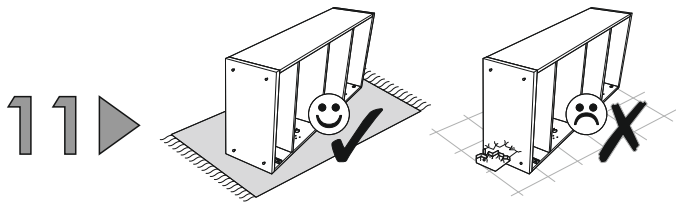


6 ▶

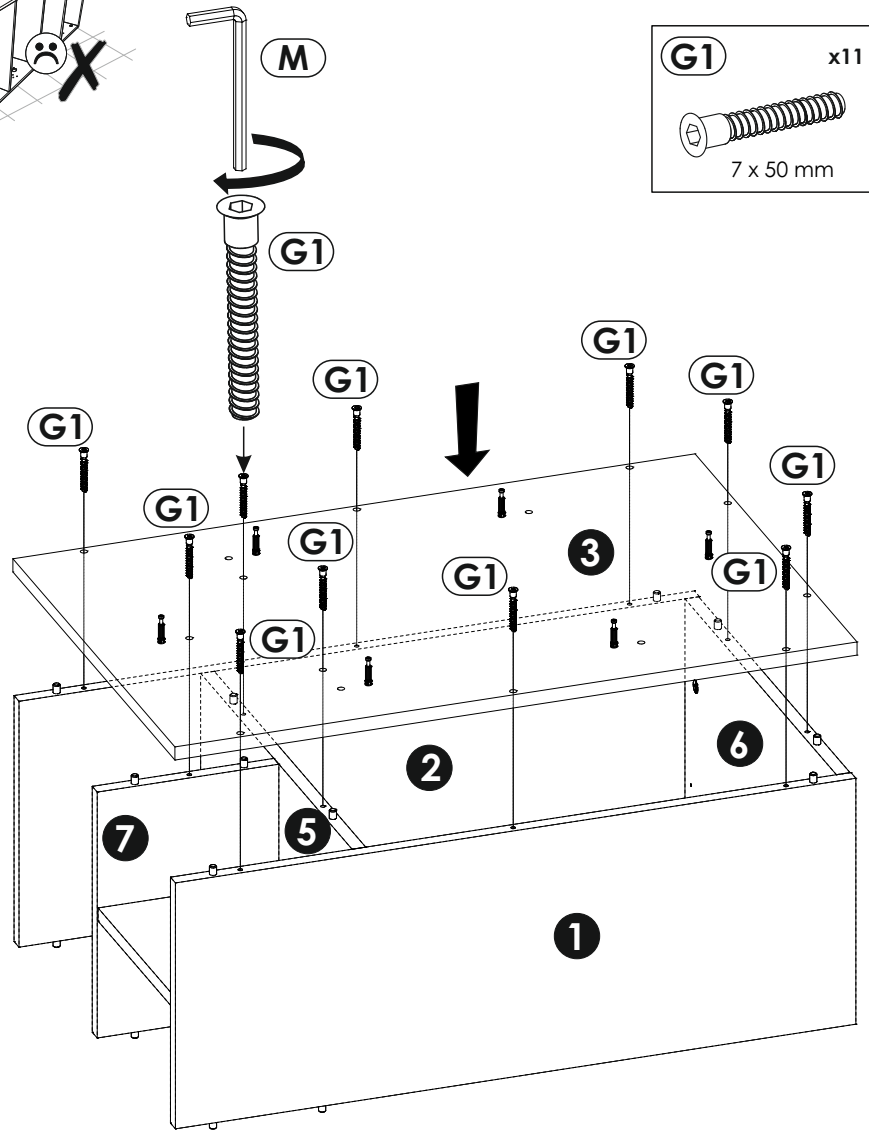
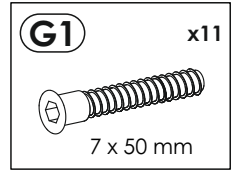
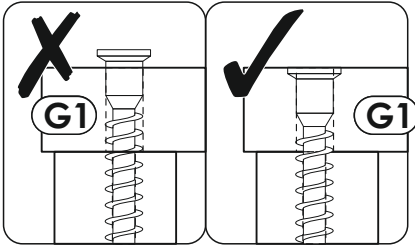
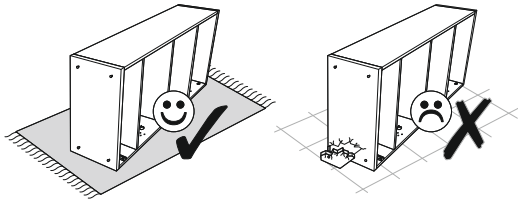




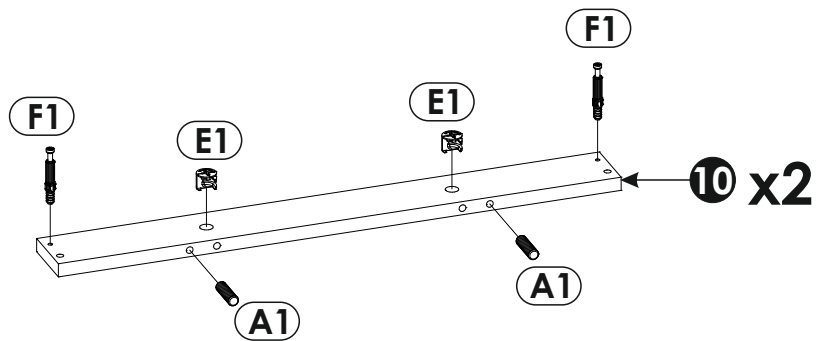
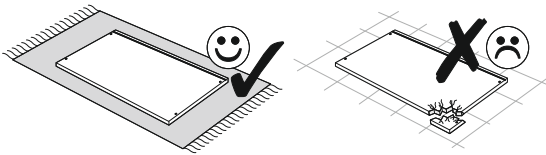


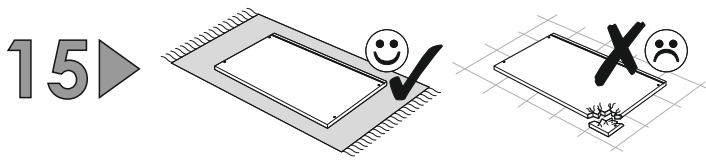


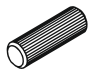

13 ▶

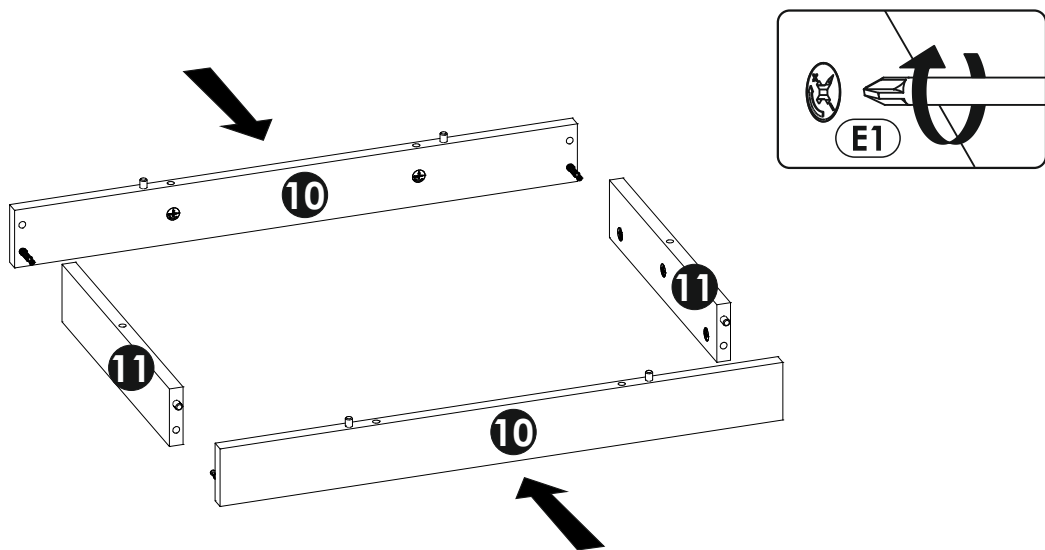
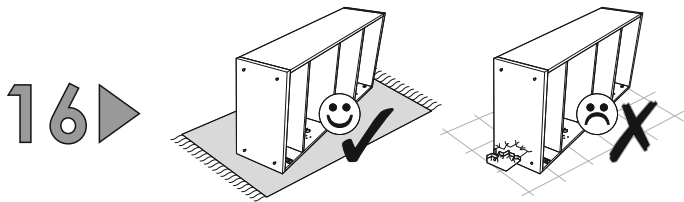
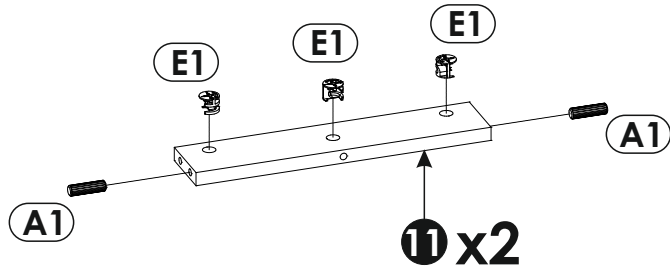


14 ▶

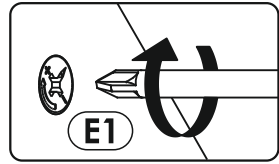
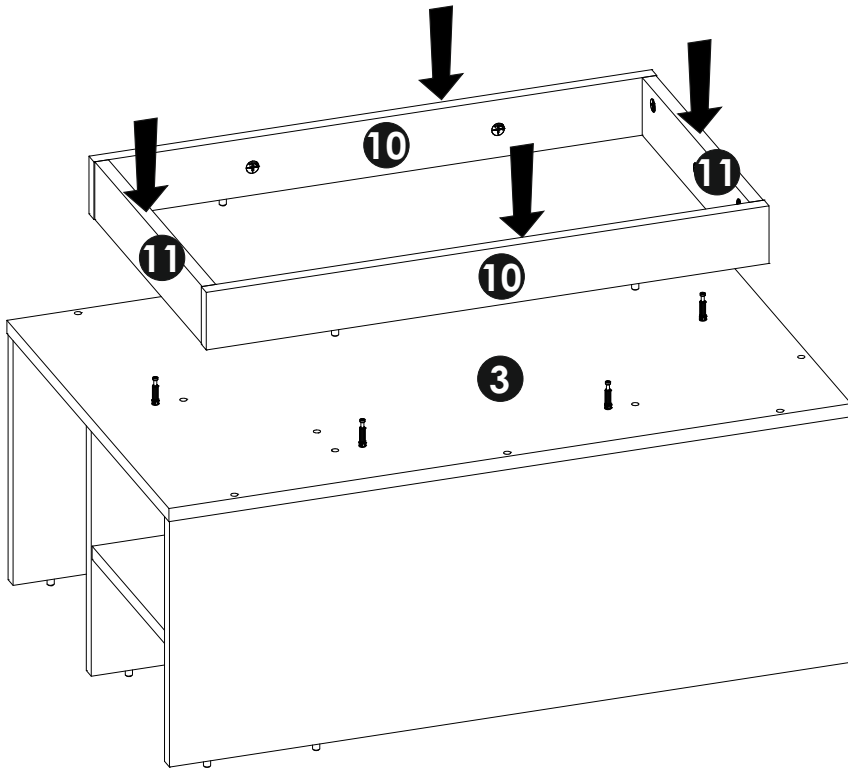
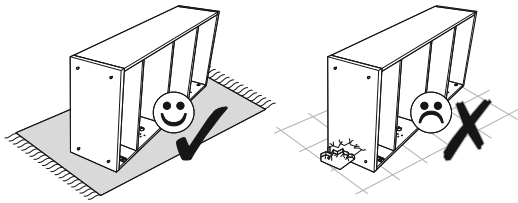




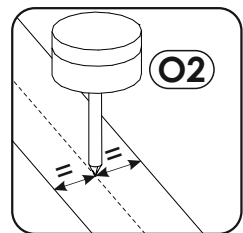
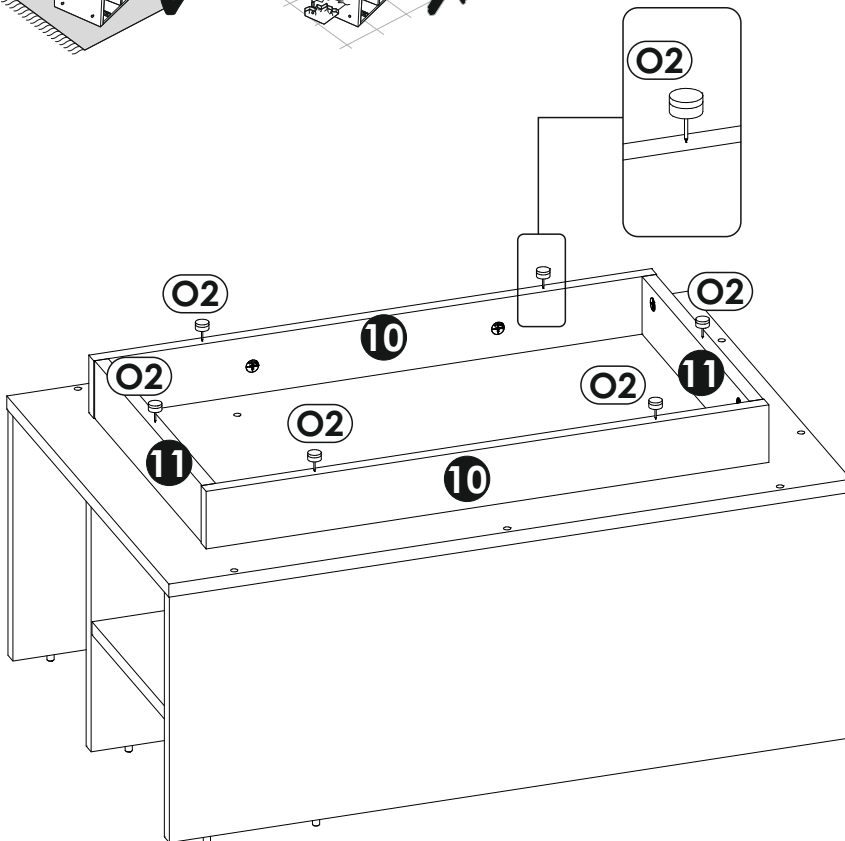
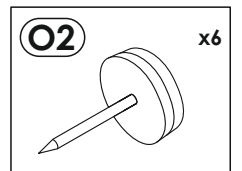
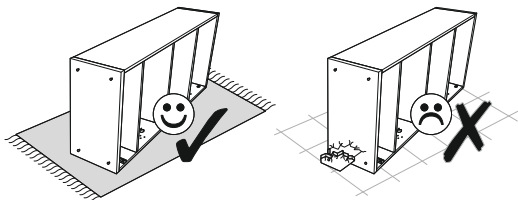
<p>A1</p>  <p>8 x 35 mm</p>	<p>E1</p>  <p>15 x 12 mm</p>
x4	x6

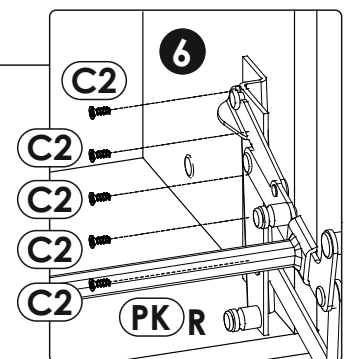
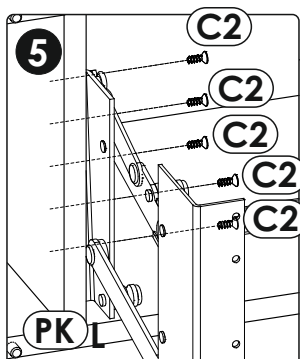
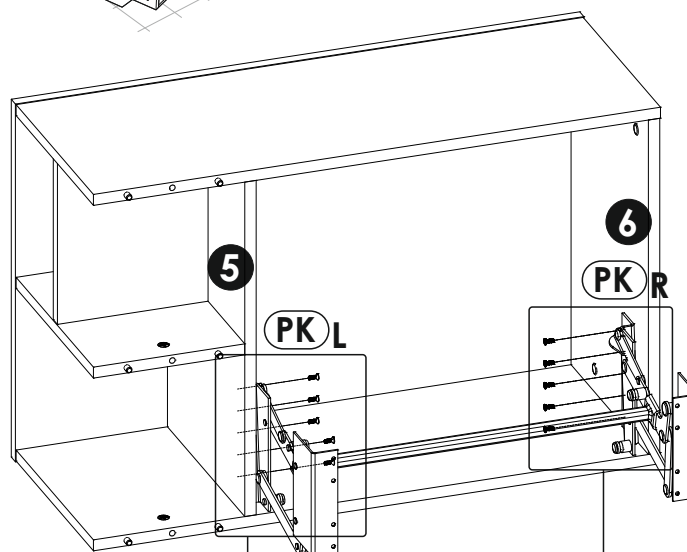
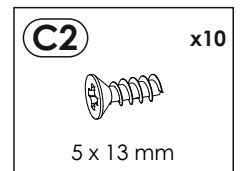
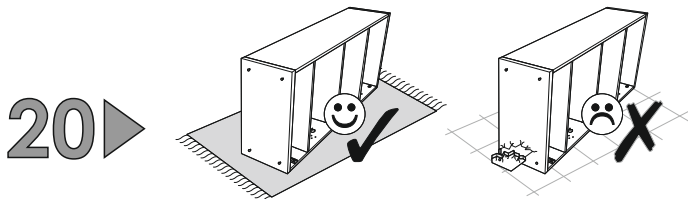
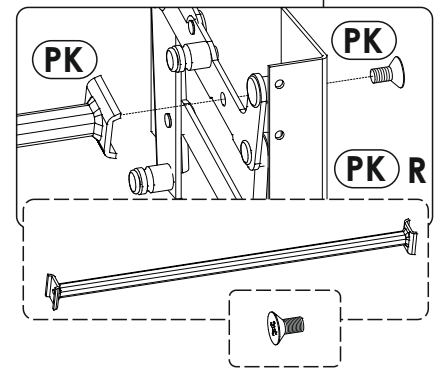
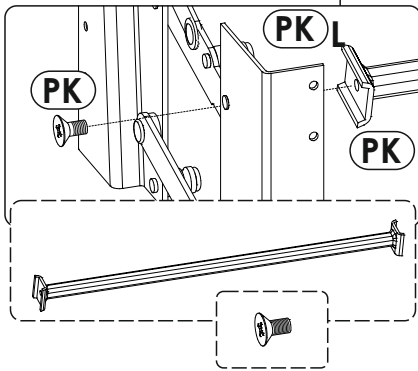
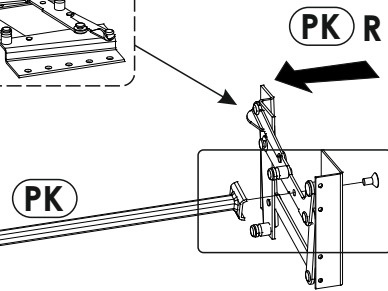
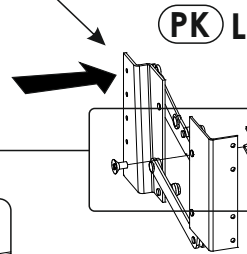
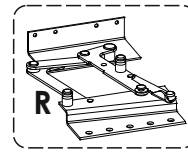
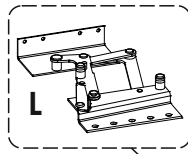
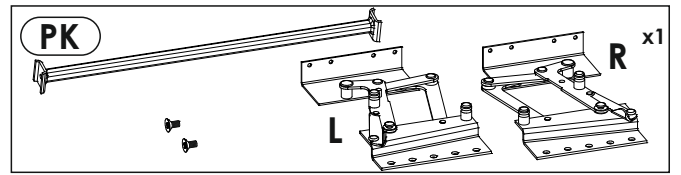
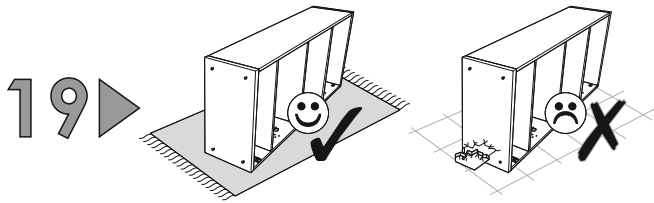


17 ▶

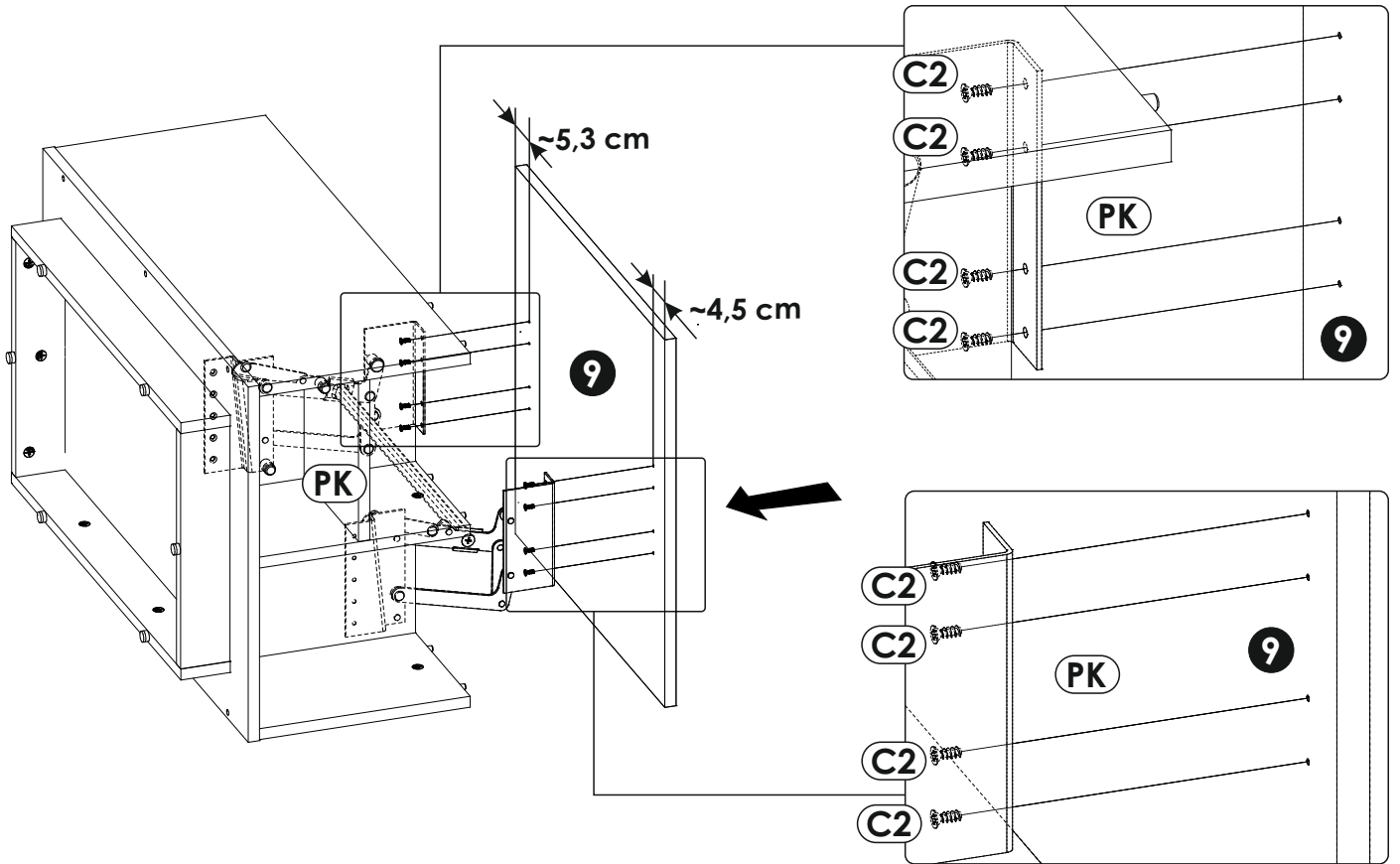
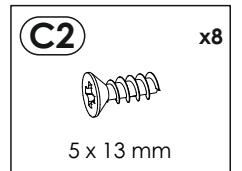
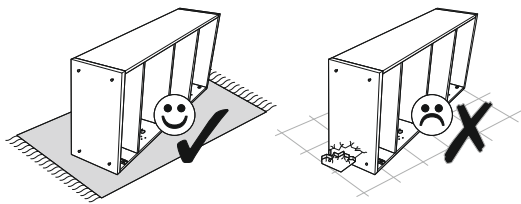


18 ▶

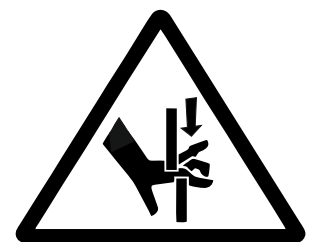
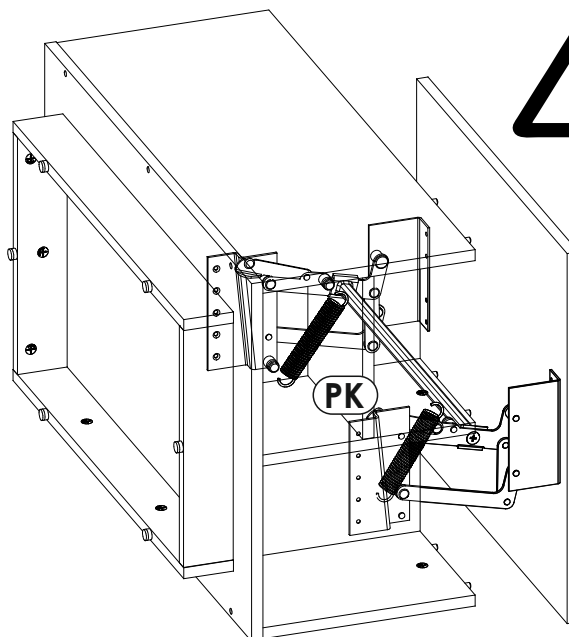
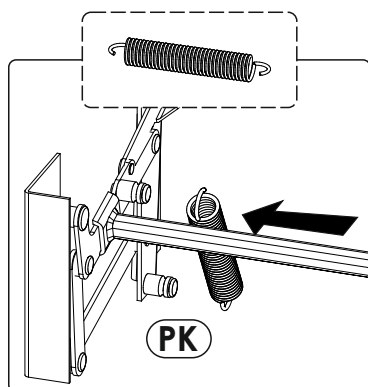
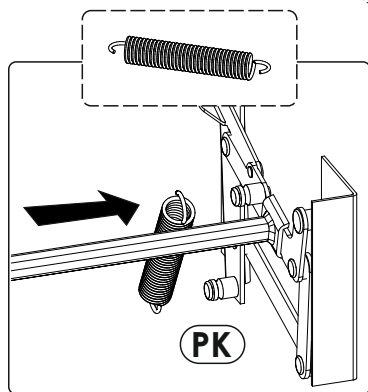
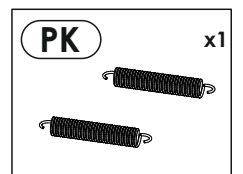
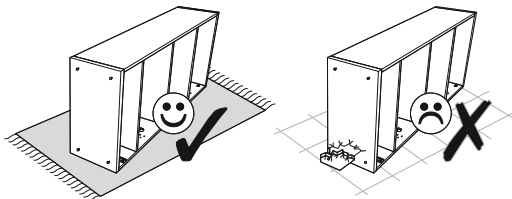


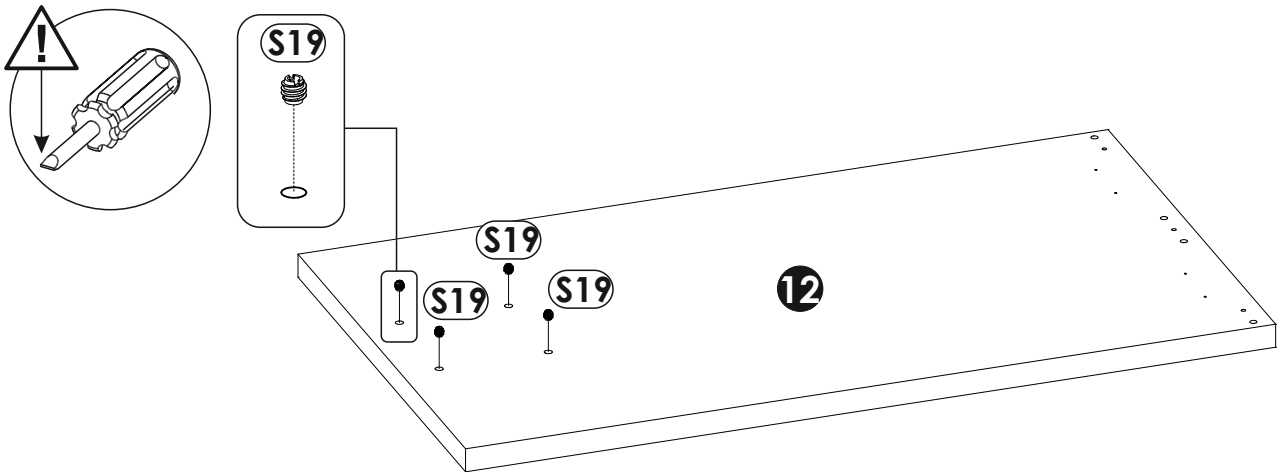
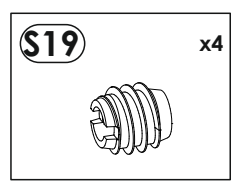
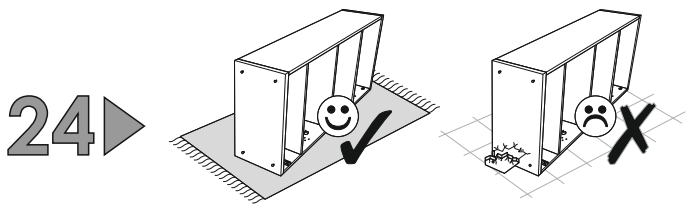
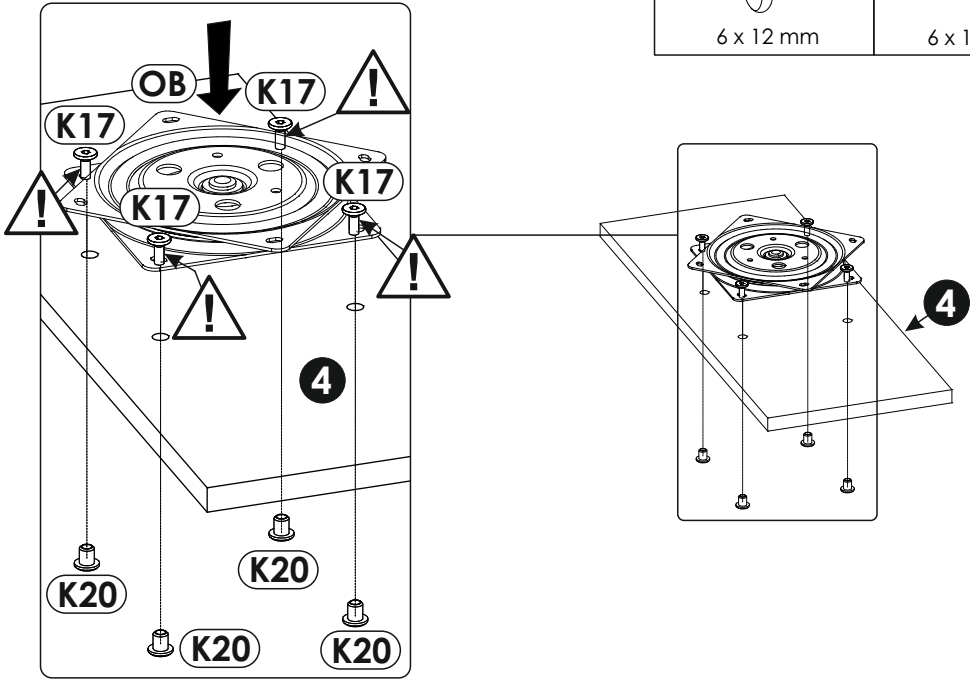
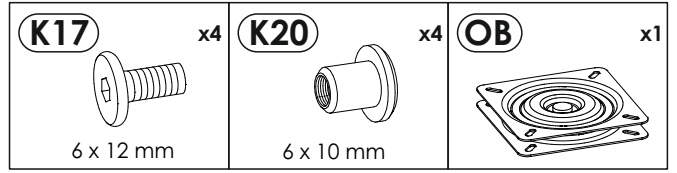
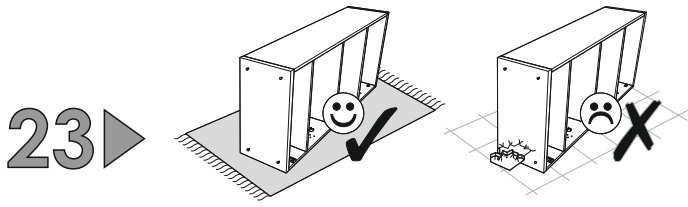


21 ▶

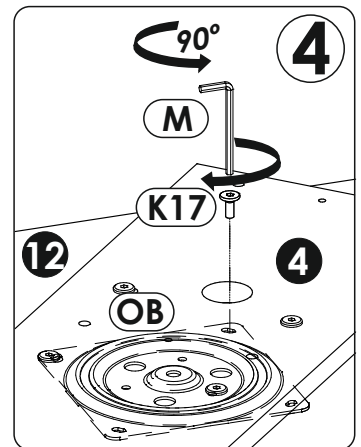
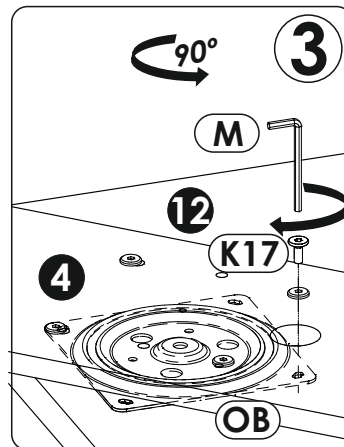
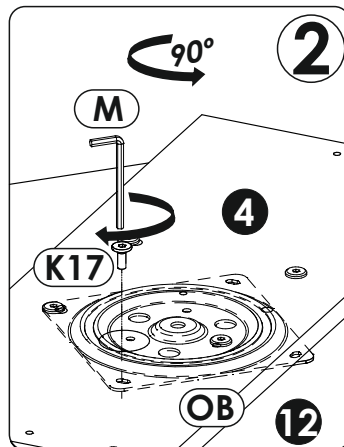
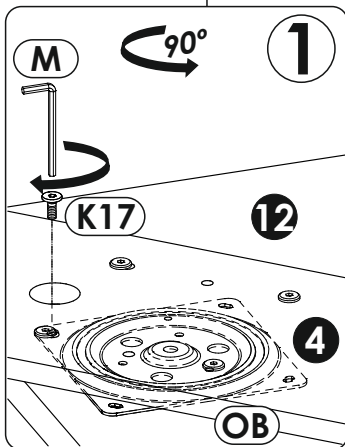
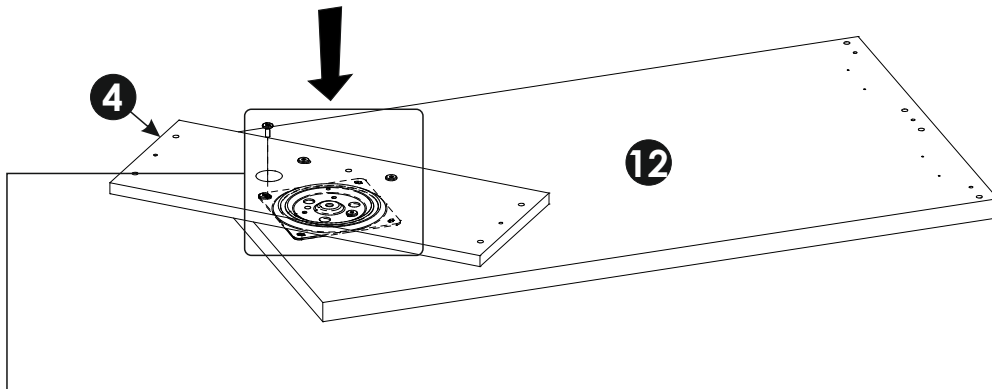
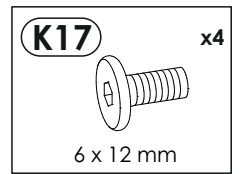
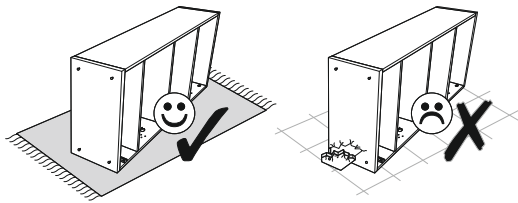


22 ▶

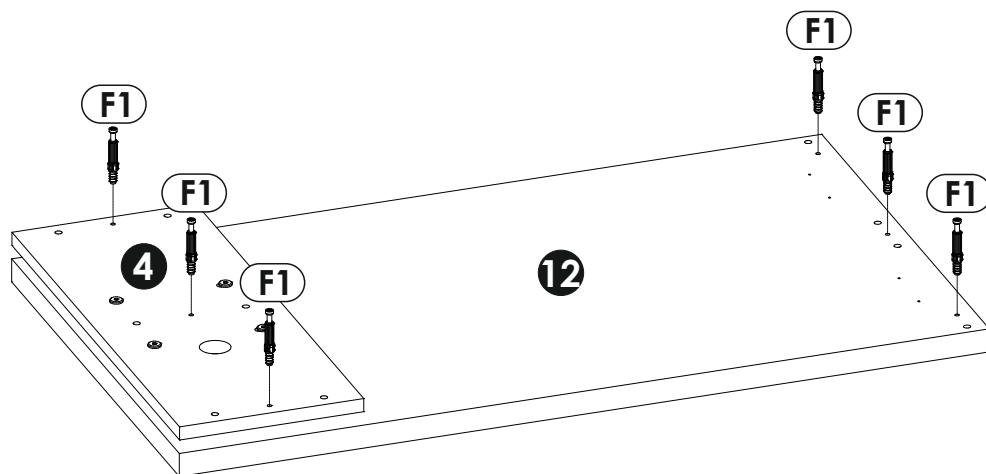
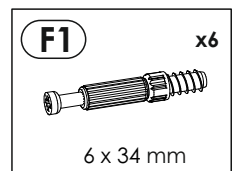
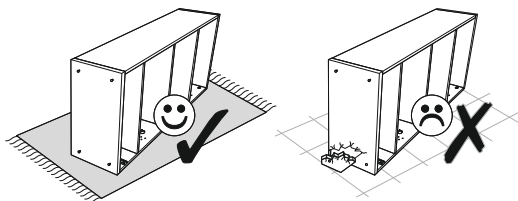




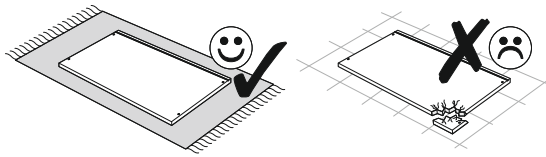
25 ▶

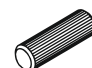



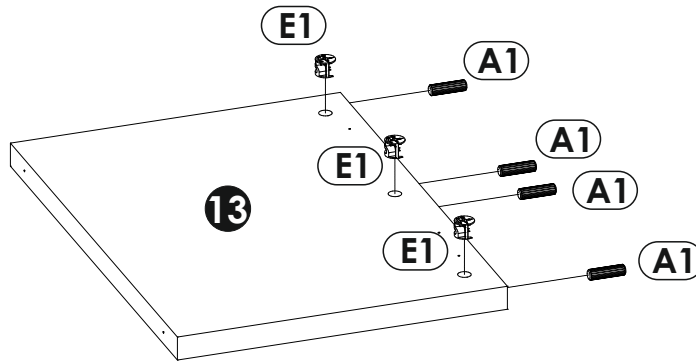
26 ▶



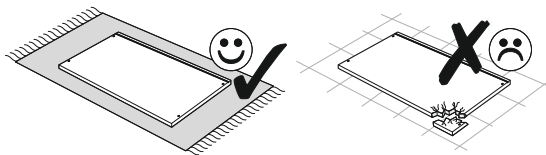
27 ▶





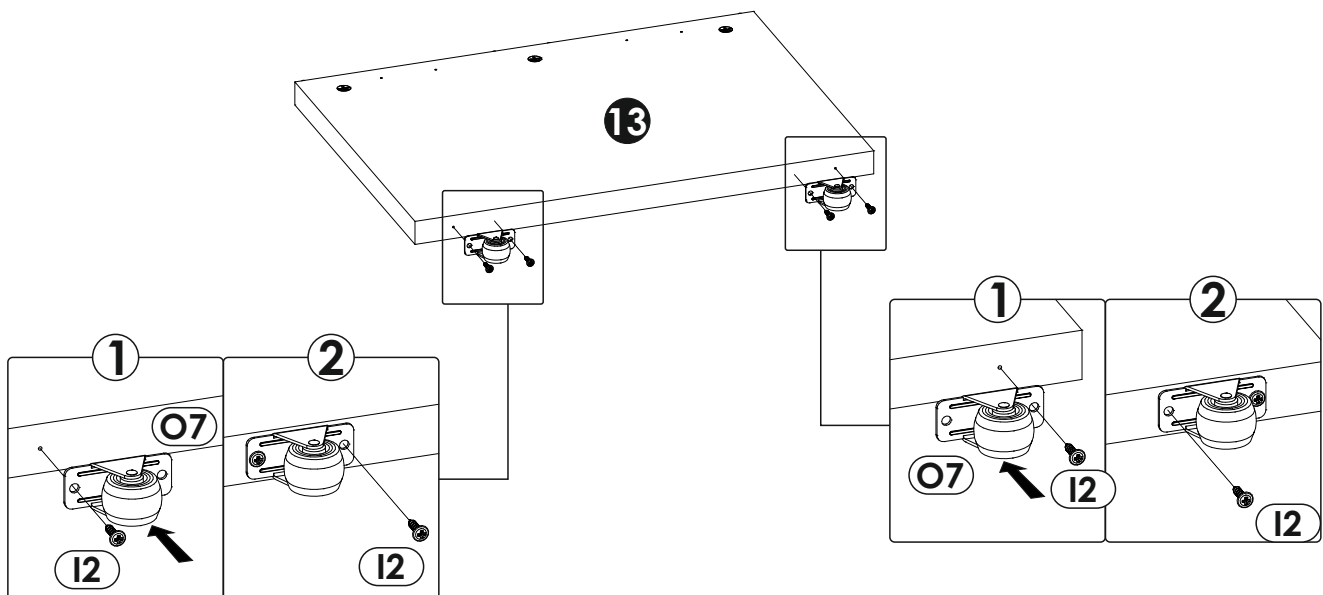
A1  8 x 35 mm	x4	E1  15 x 12 mm	x3
---	----	--	----

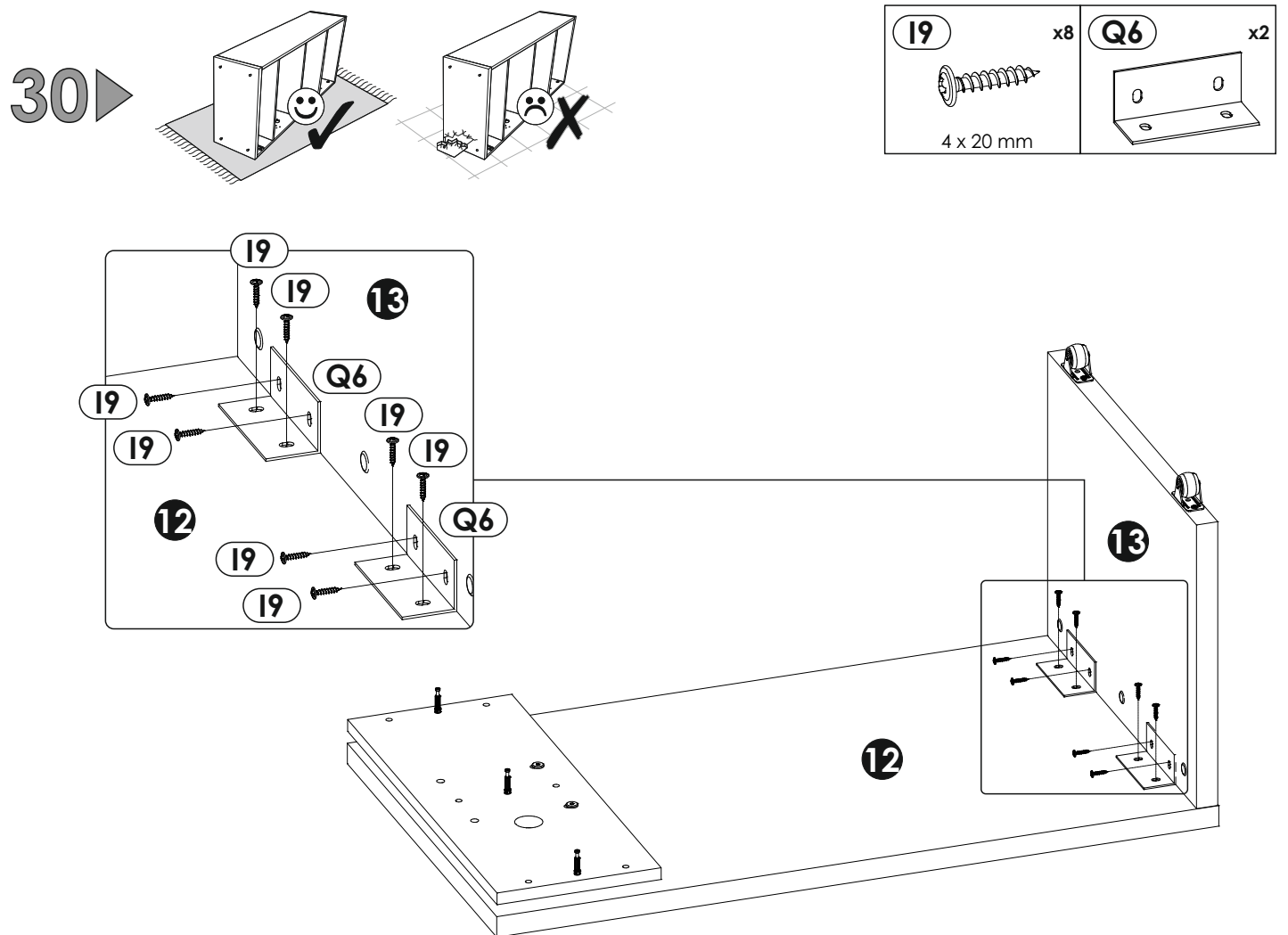
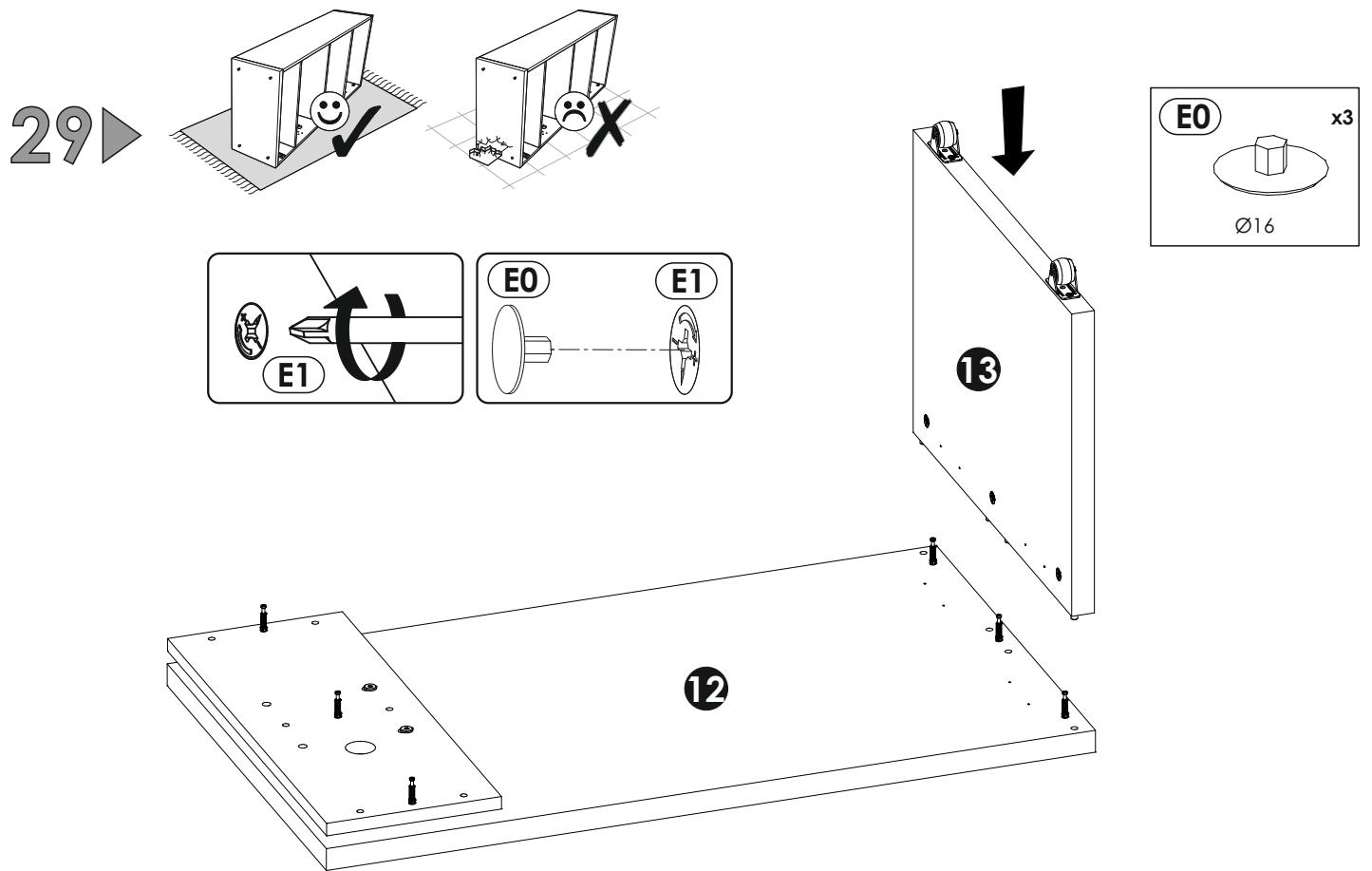


28 ▶

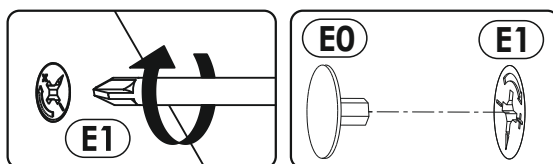
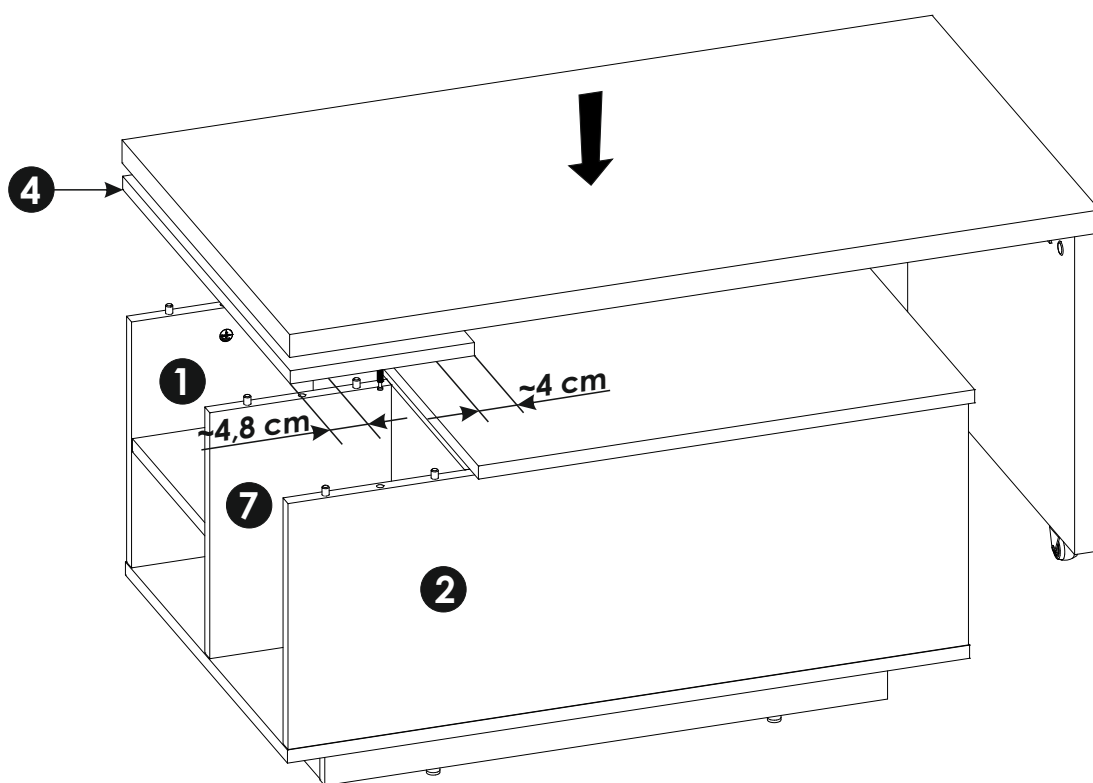
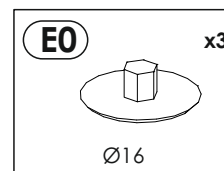
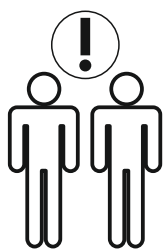


I2  4 x 16 mm	x4	O7  x2	x2
---	----	--	----





31 ▶



32 ▶

