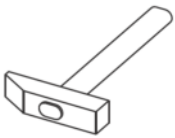
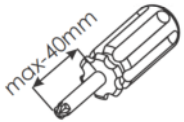
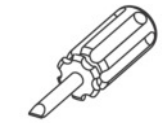
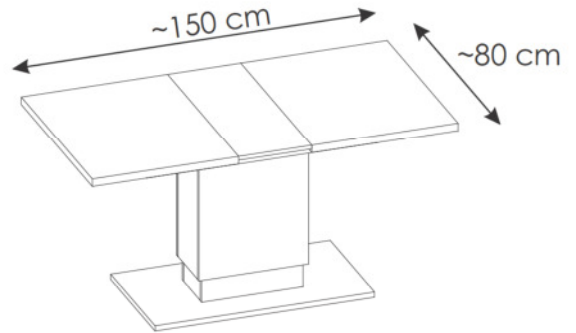
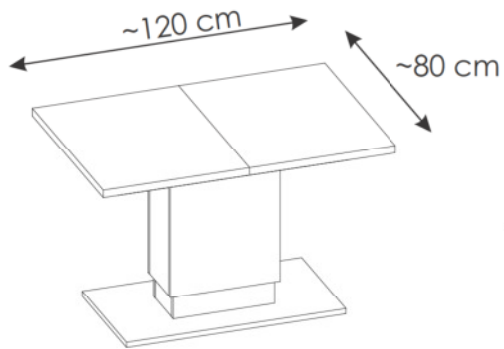
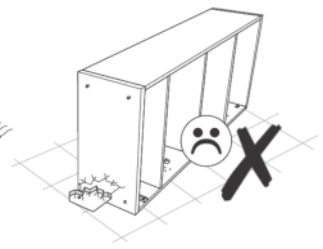
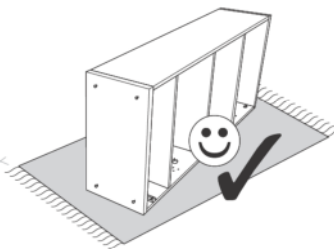
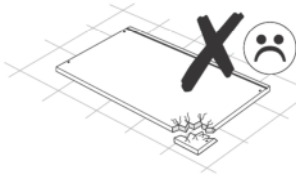
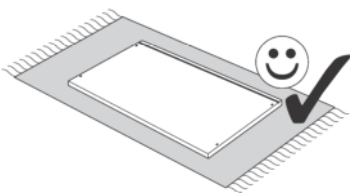
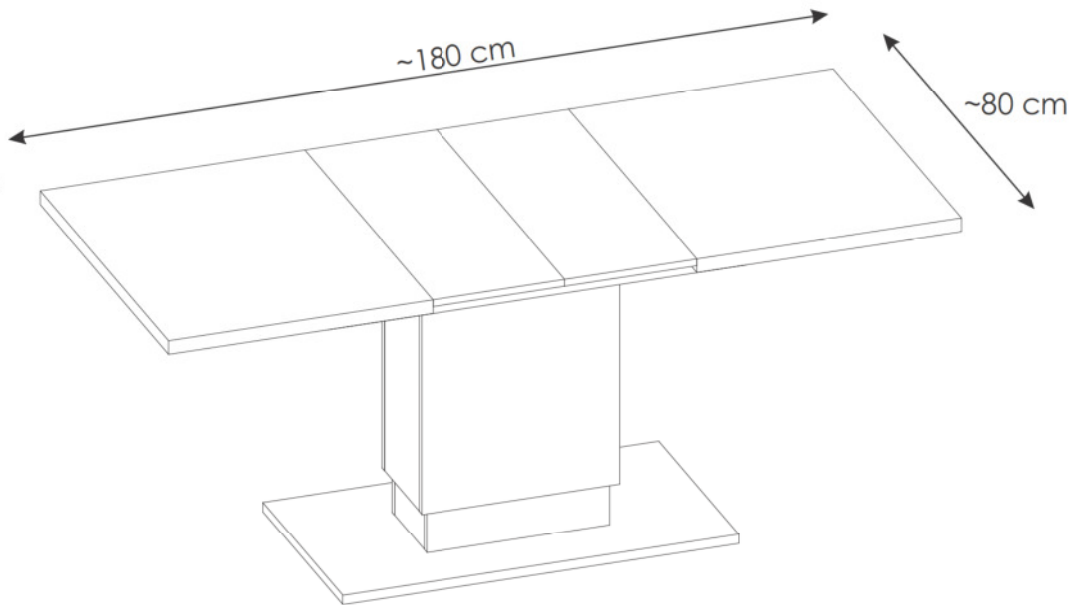


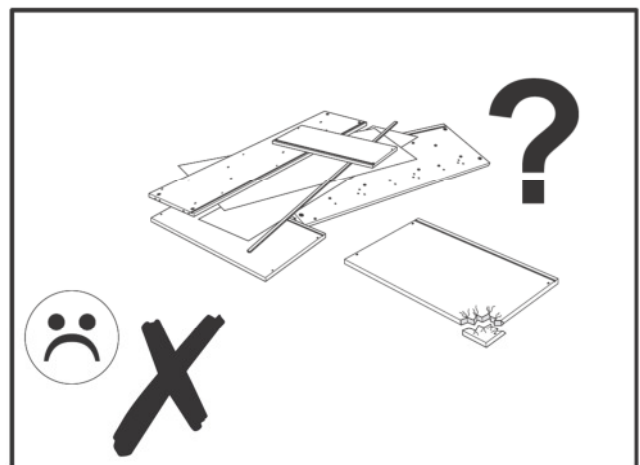
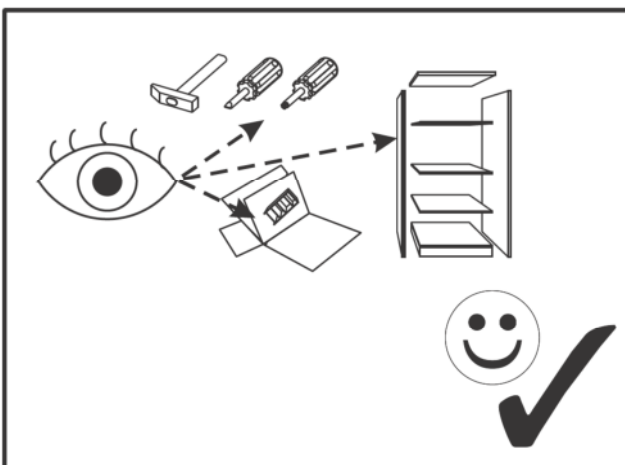
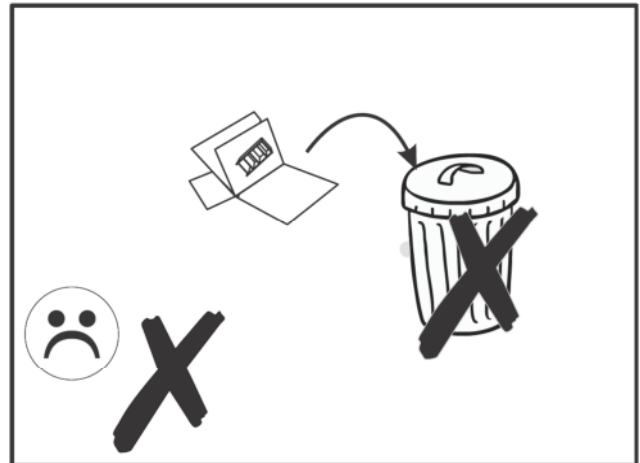
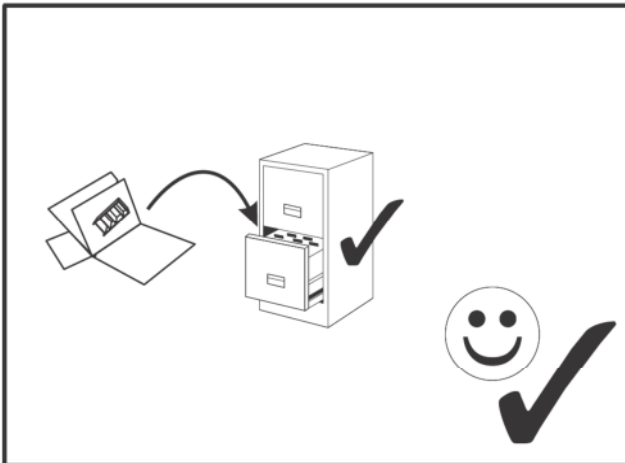
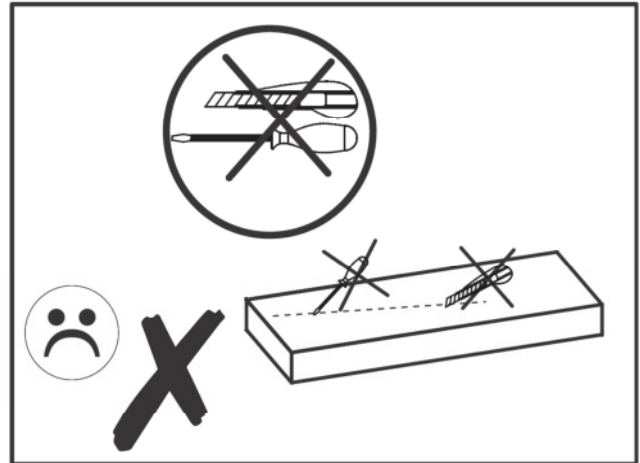
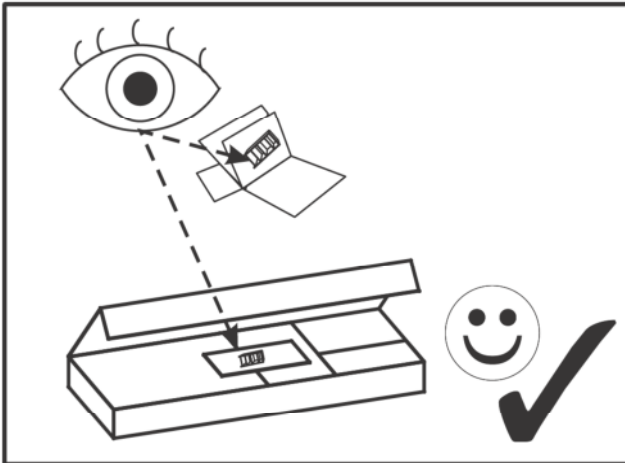
# XXX/186

HELA Tische Möbel Vertriebs GmbH  
Scheidkamp 14  
D - 32584 Löhne

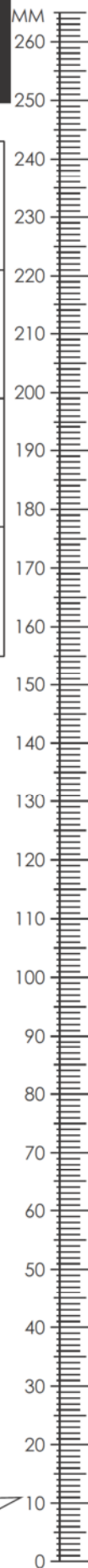










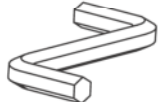

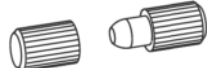
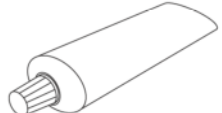
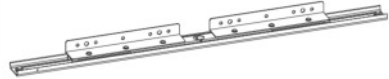
~76,2 cm

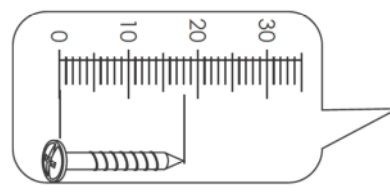




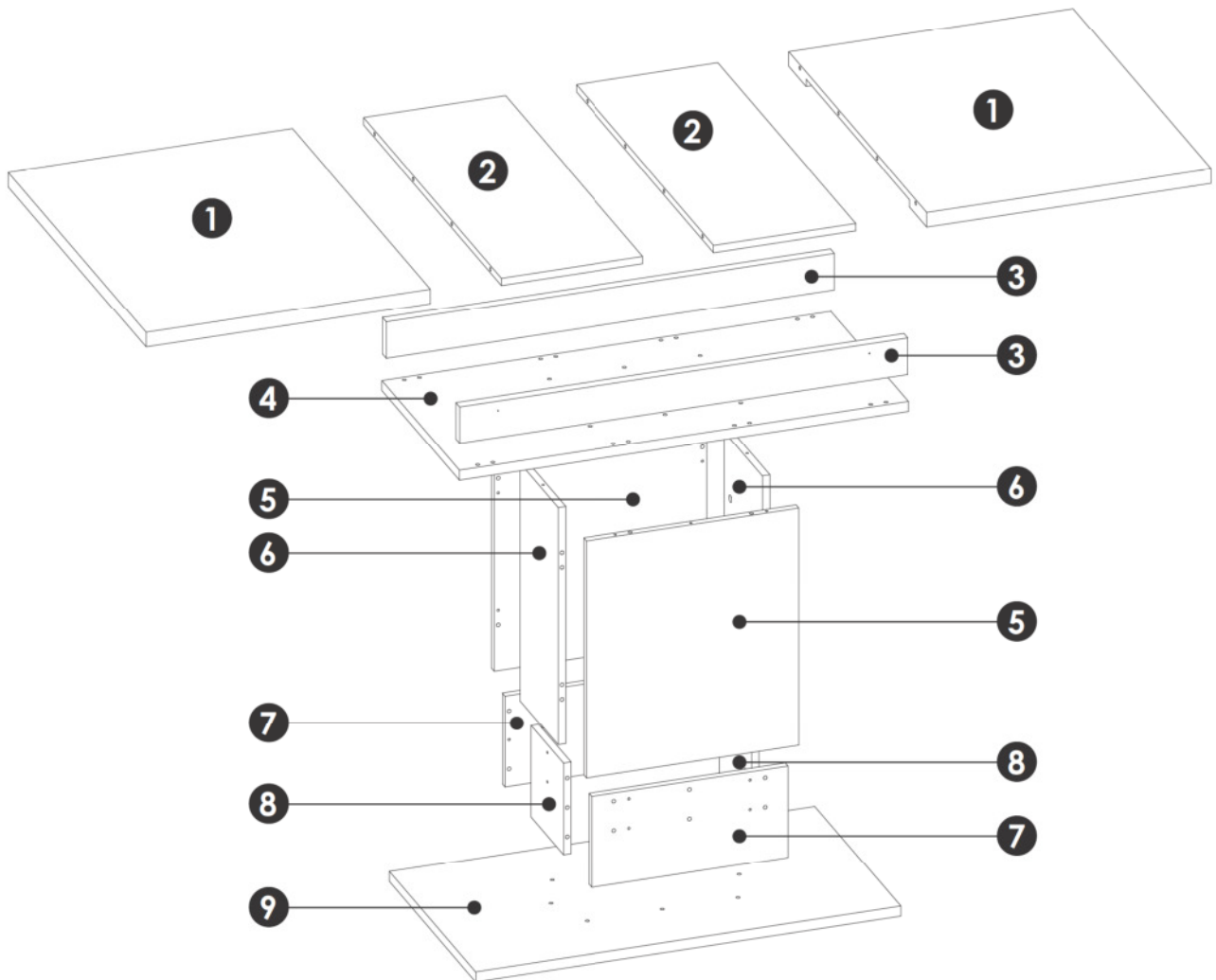
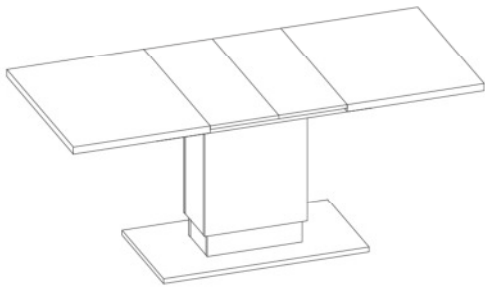
# XXX/186



<b>A1</b> 8 x 35 mm x30 	<b>A5</b> 8 x 20 mm x12 	<b>E1</b> 15 x 12 mm x12 
<b>F1</b> 6 x 34 mm x12 	<b>G0</b> x16 	<b>G2</b> 7 x 60 mm x22 
<b>I2</b> 4 x 16 mm x44 	<b>I11</b> 4 x 27 mm x12 	<b>M</b> x1 
<b>O2A</b> ø20 x18 	<b>R8</b> x12 	<b>S</b> x1 
<b>T11</b> x2 		

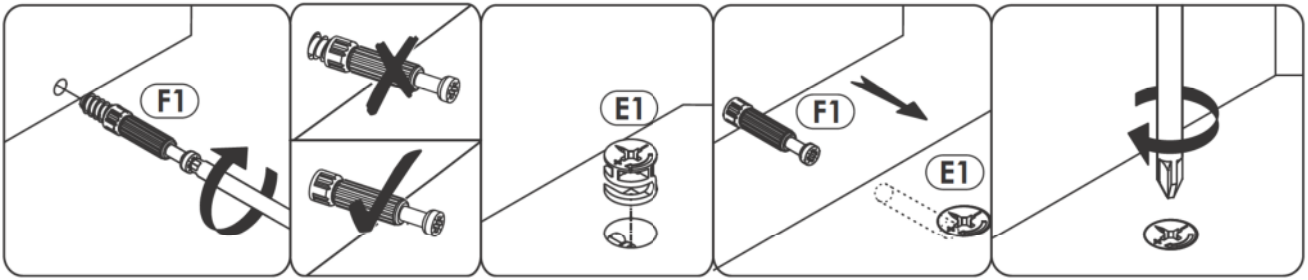






# XXX/186

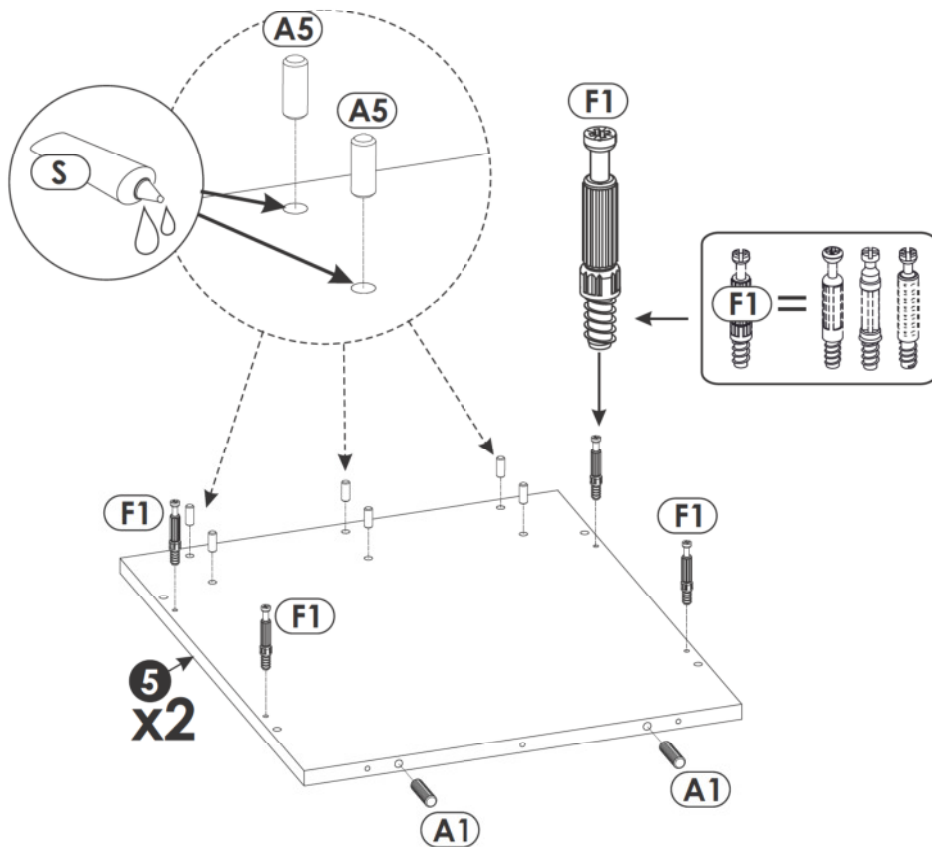


<b>1</b>	600	800	32	x2	2/2
<b>2</b>	300	800	16	x2	2/2
<b>3</b>	948	80	22	x2	1/2
<b>4</b>	950	450	22	x1	1/2

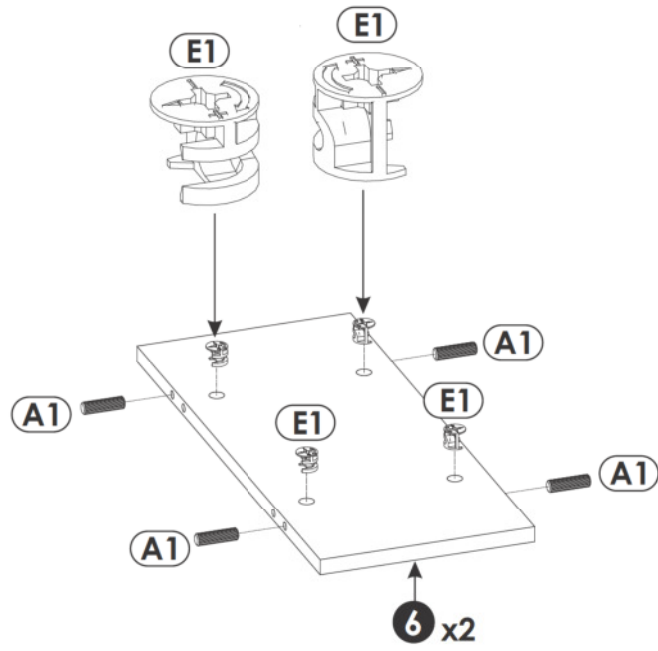
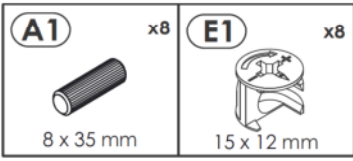
<b>5</b>	519	450	16	x2	2/2
<b>6</b>	519	220	16	x2	1/2
<b>7</b>	416	200	16	x2	1/2
<b>8</b>	200	188	16	x2	1/2
<b>9</b>	900	500	22	x1	1/2



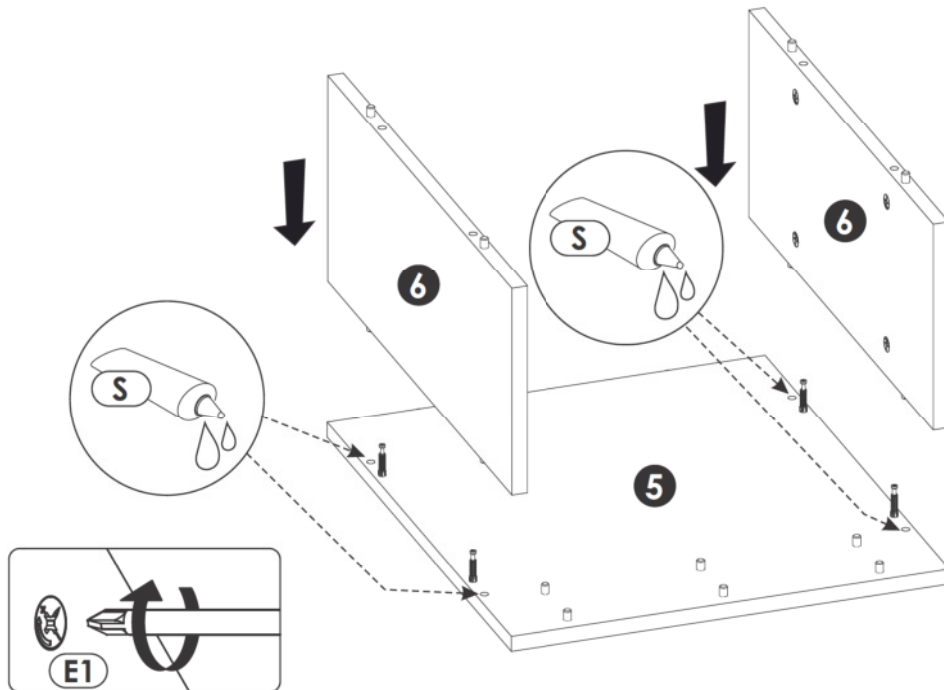
<b>A1</b>	x4	<b>A5</b>	x12	<b>F1</b>	x8	<b>S</b>	x1
							
8 x 35 mm		8 x 20 mm		6 x 34 mm			



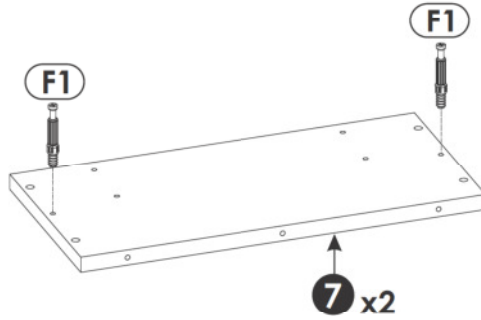
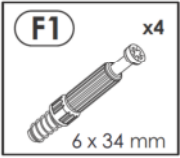
2 ▶



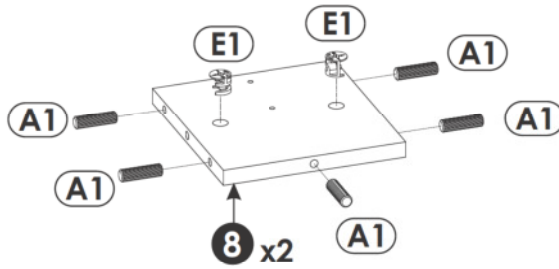
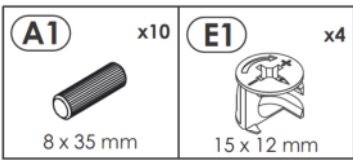
3 ▶



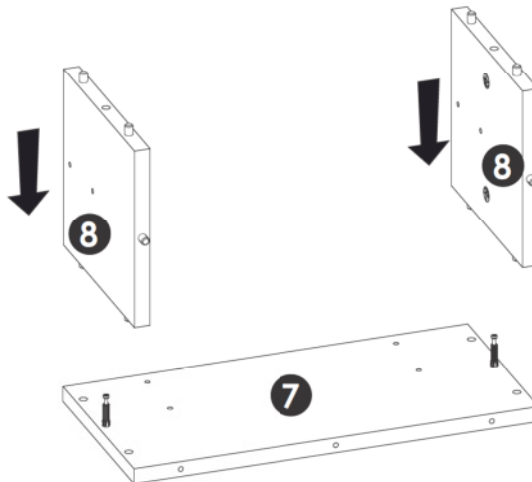
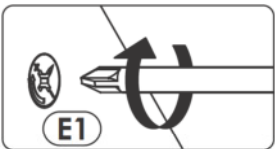
4 ▶



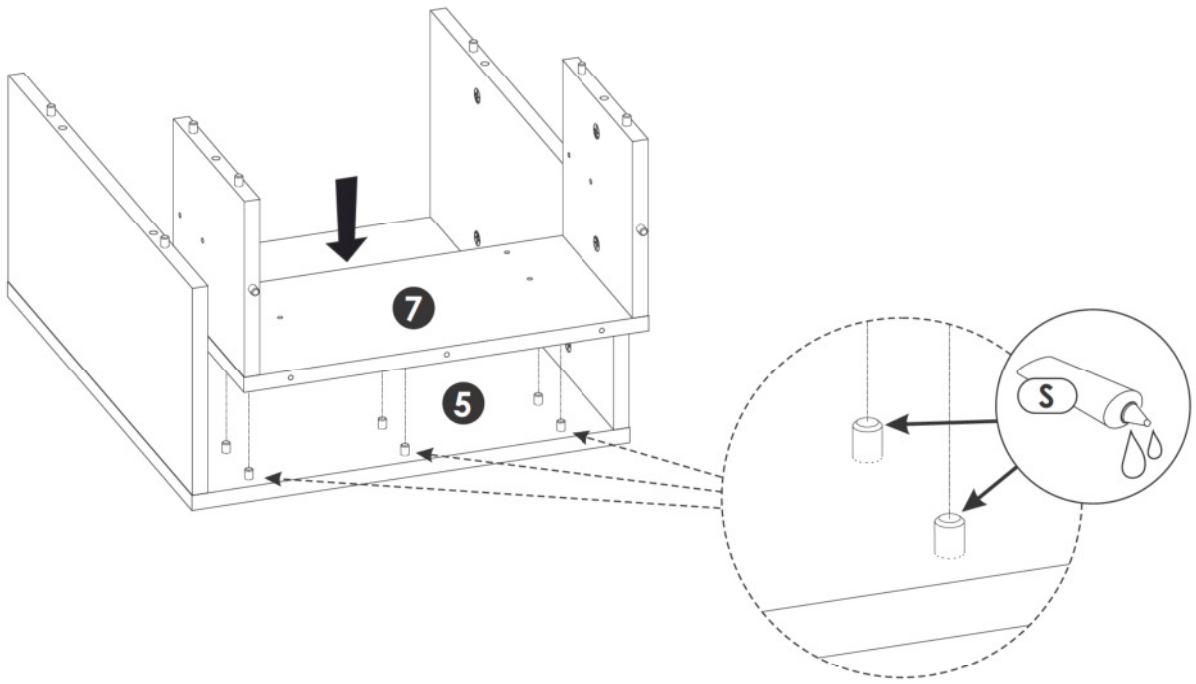
5 ▶



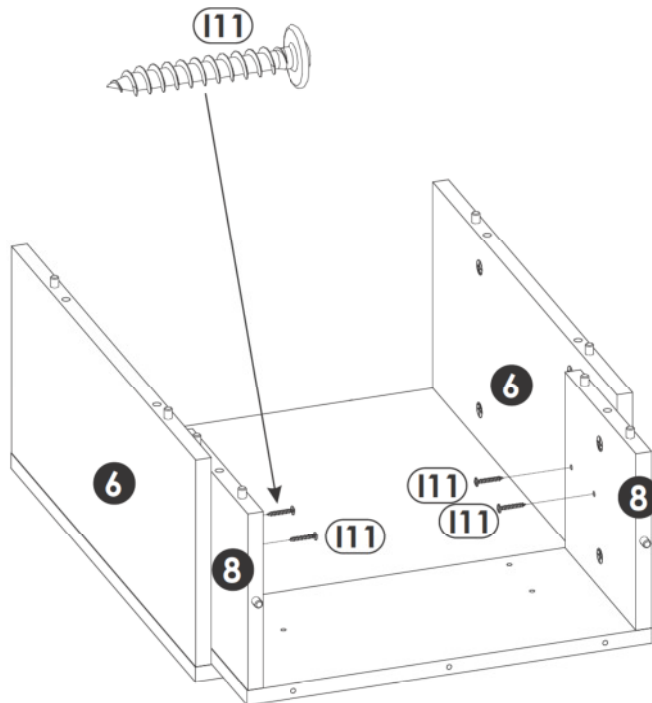
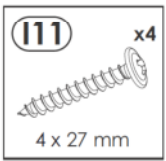
6 ▶



7 ▶

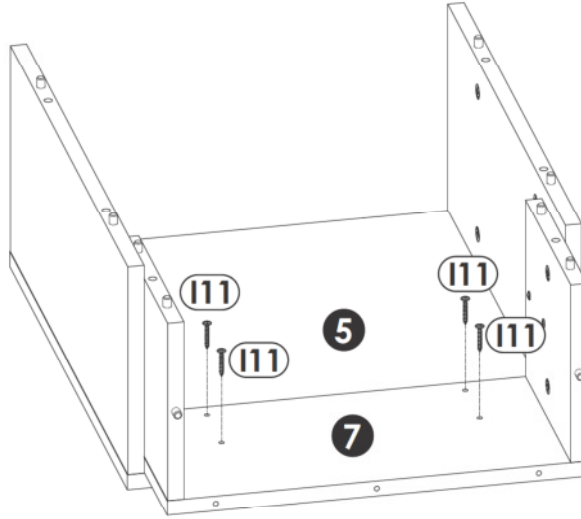
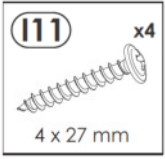


8 ▶

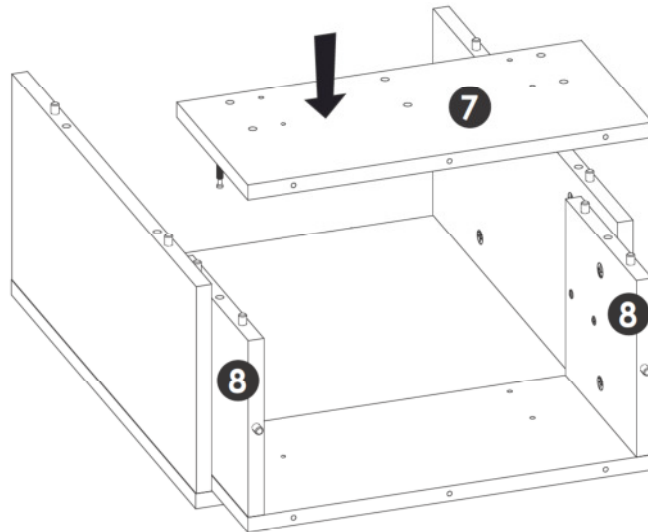




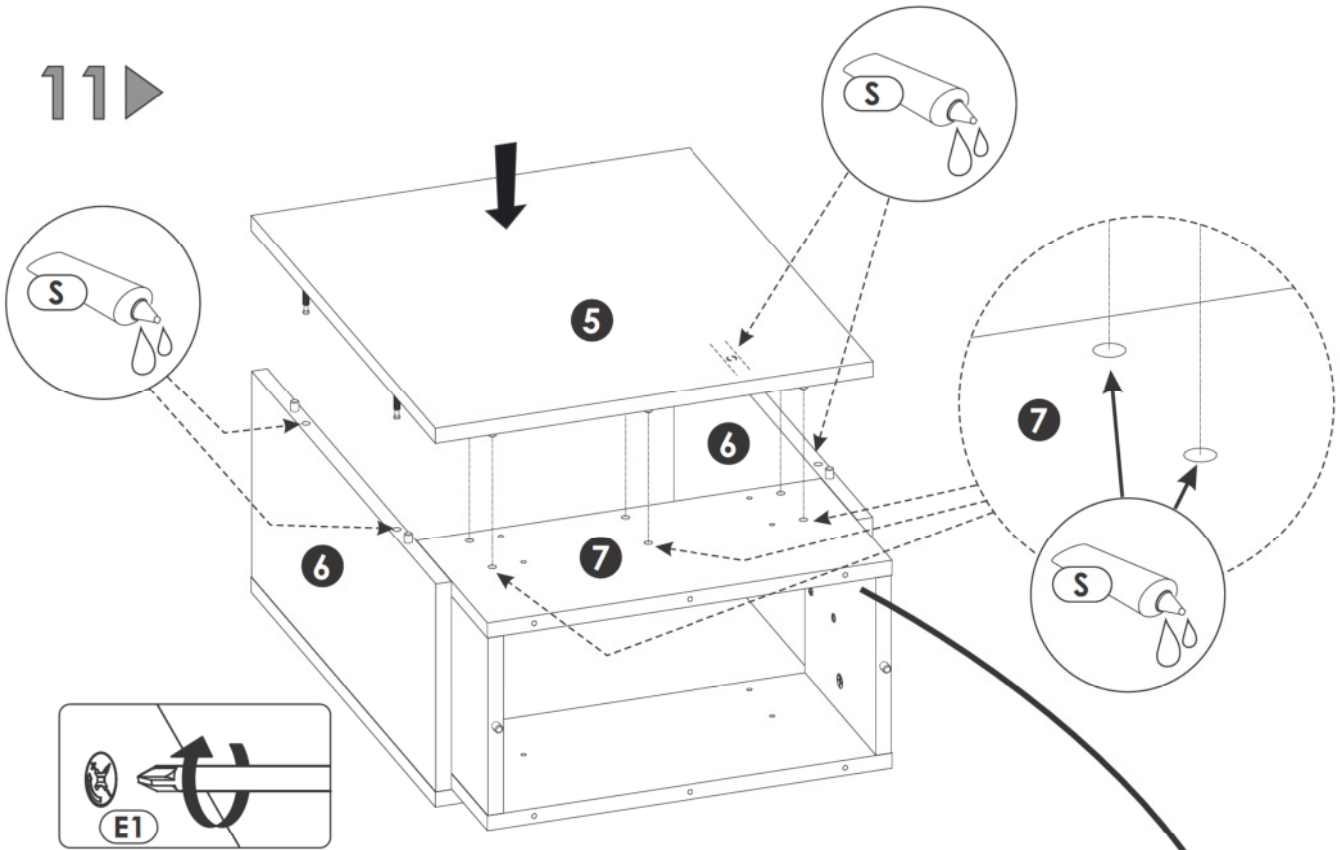
9 ▶



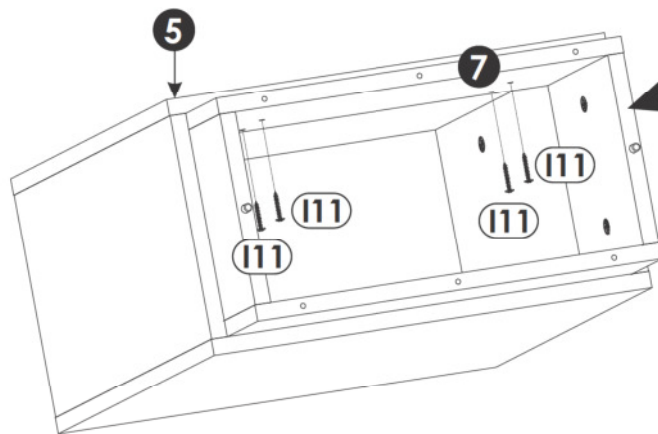
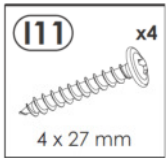
10 ▶



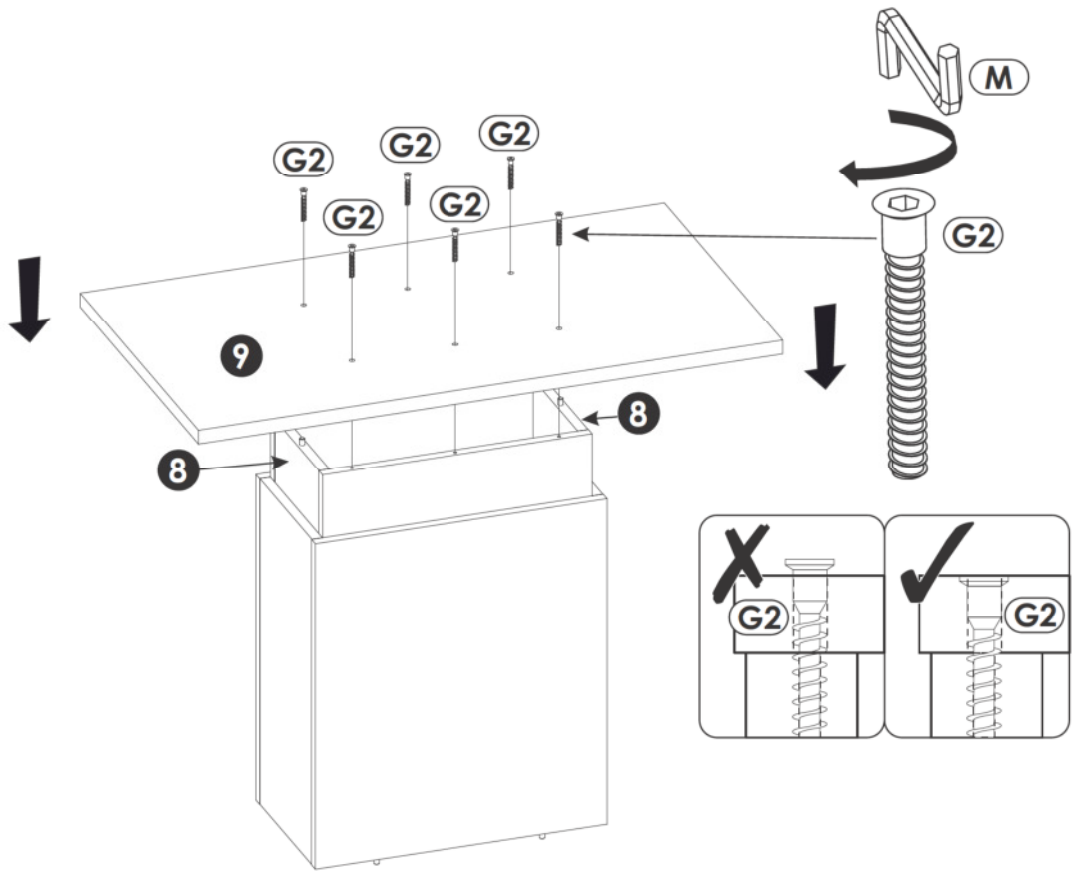
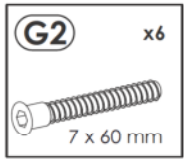
11▶



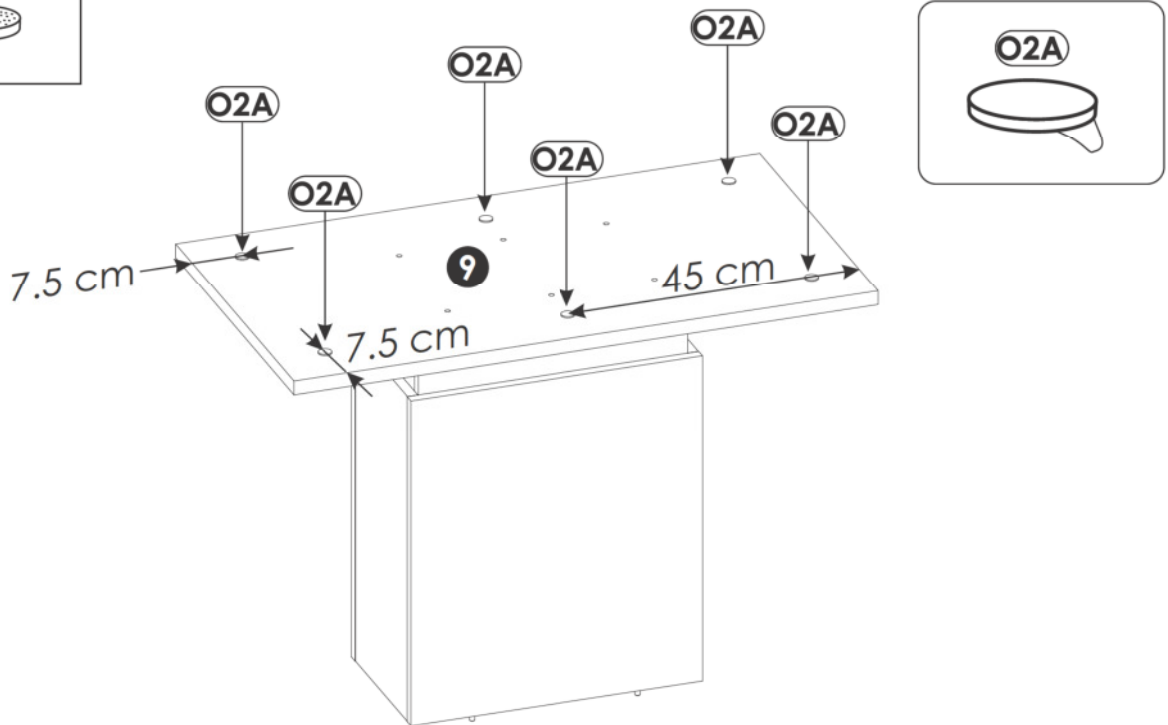
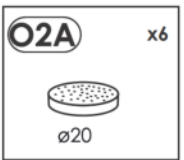
12▶



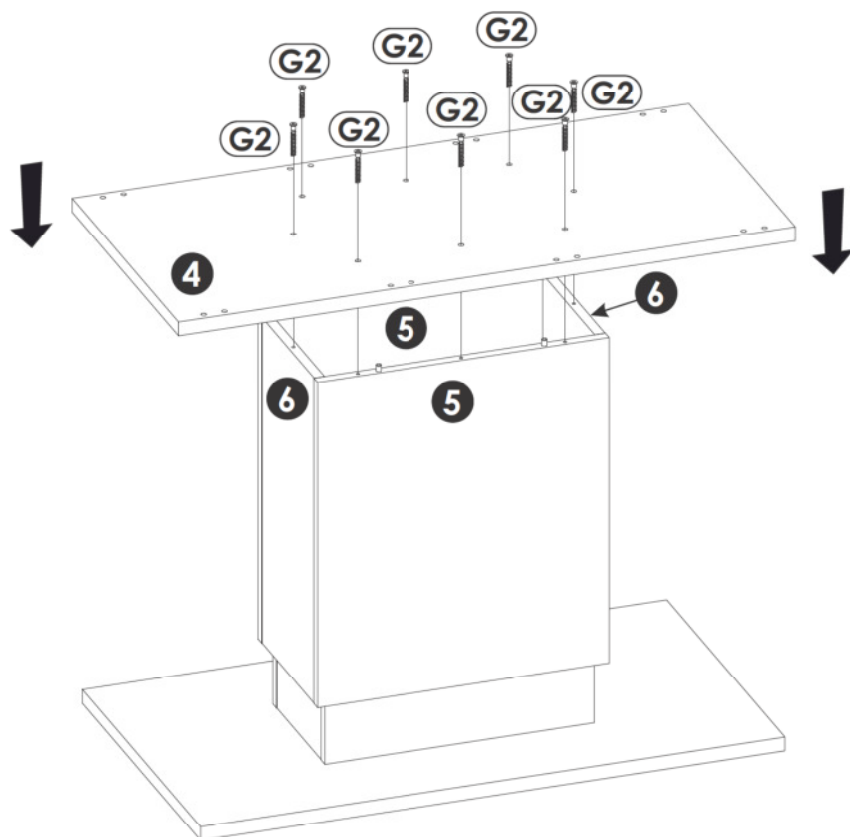
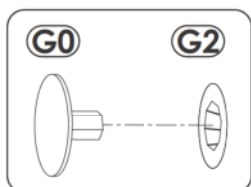
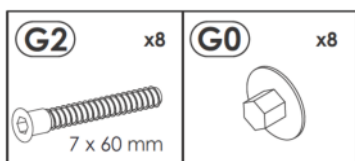
# 13 ▶





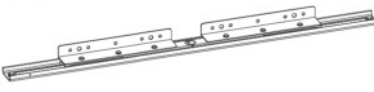

# 14 ▶

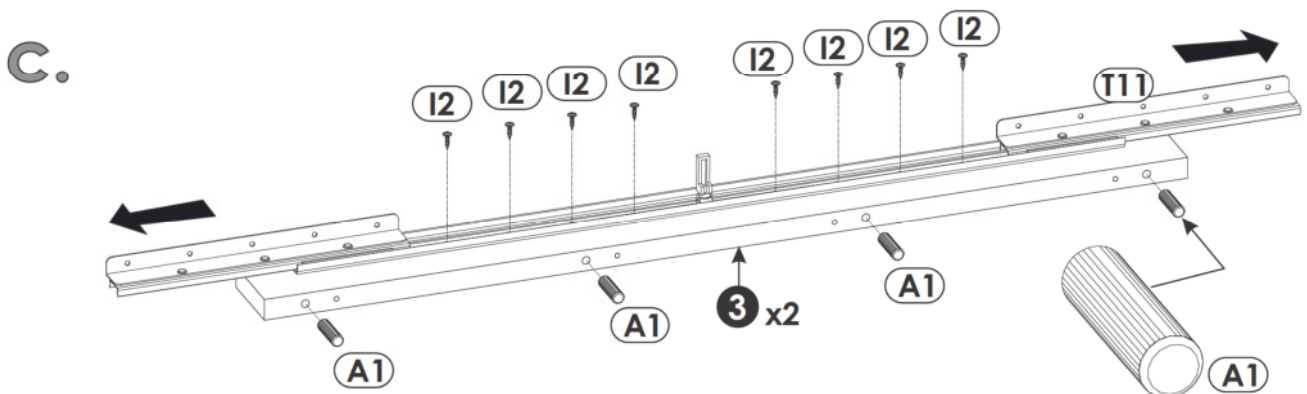
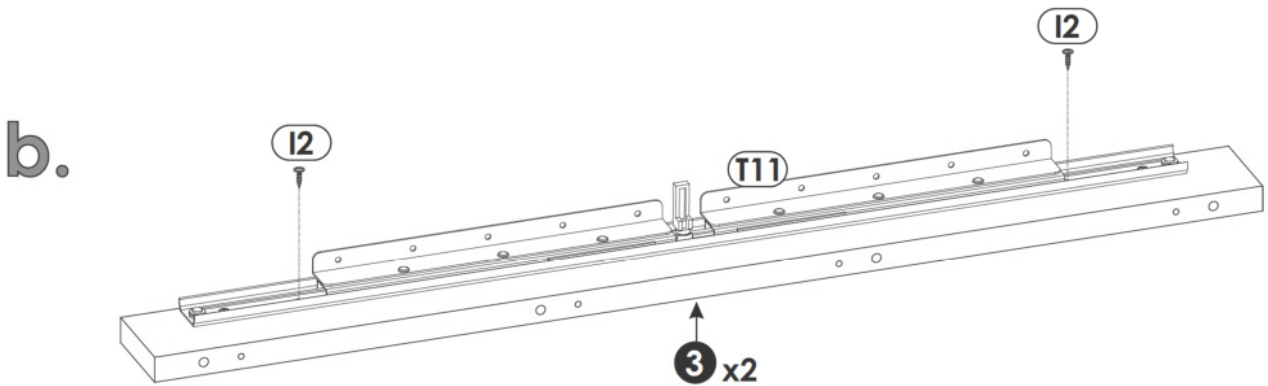
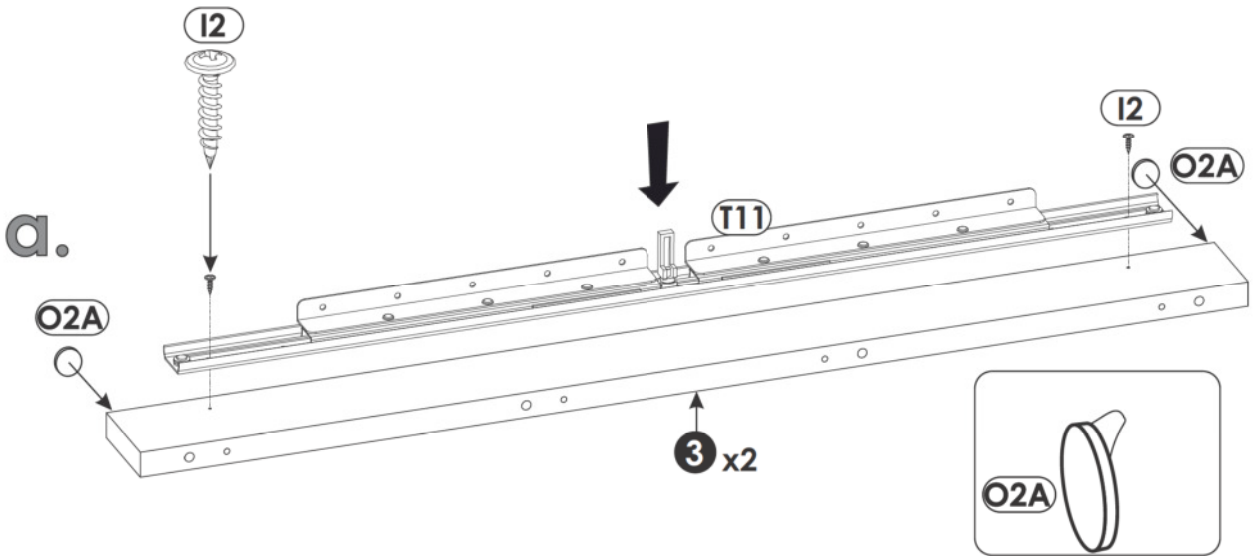


# 15▶

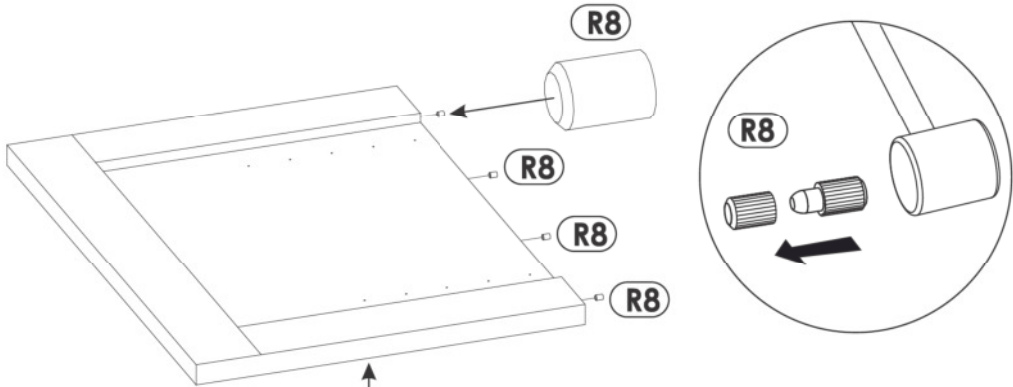
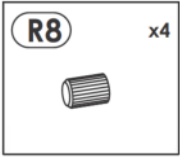


16 ▶

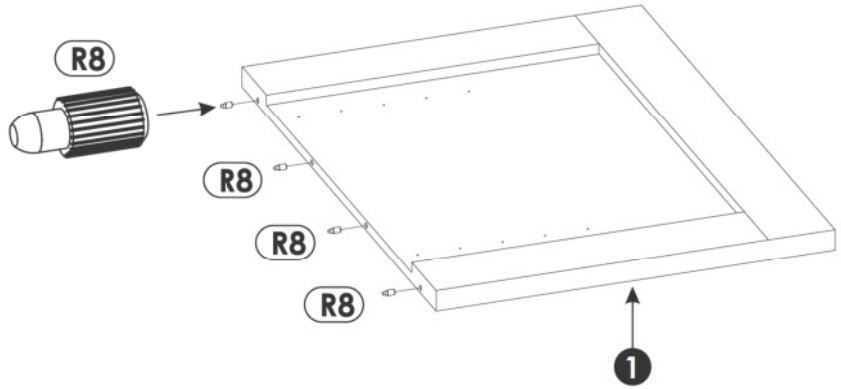
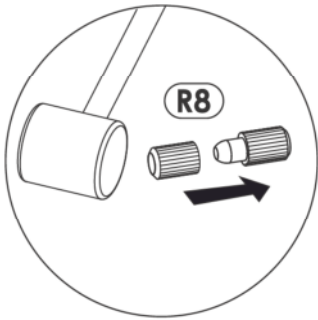
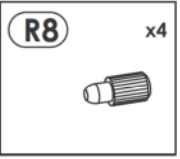
<p><b>A1</b> x8</p>  <p>8 x 35 mm</p>	<p><b>I2</b> x24</p>  <p>4 x 16 mm</p>	<p><b>T11</b> x2</p> 	<p><b>O2A</b> x4</p>  <p>ø20</p>
--	---	---	---



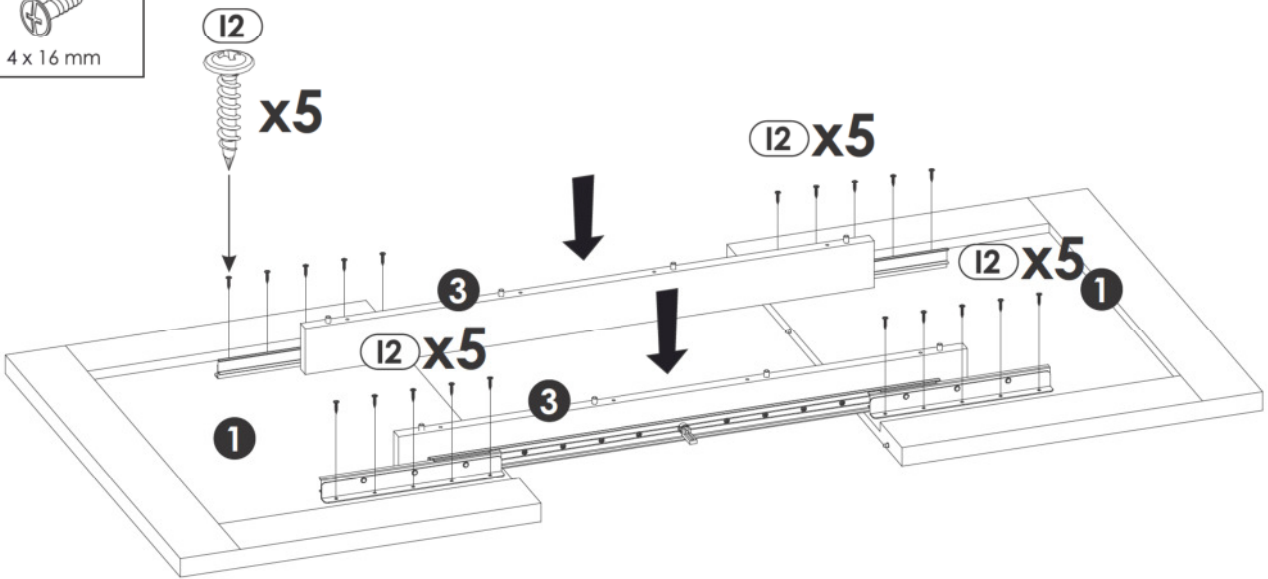
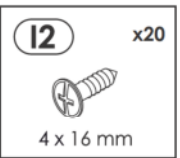
17▶



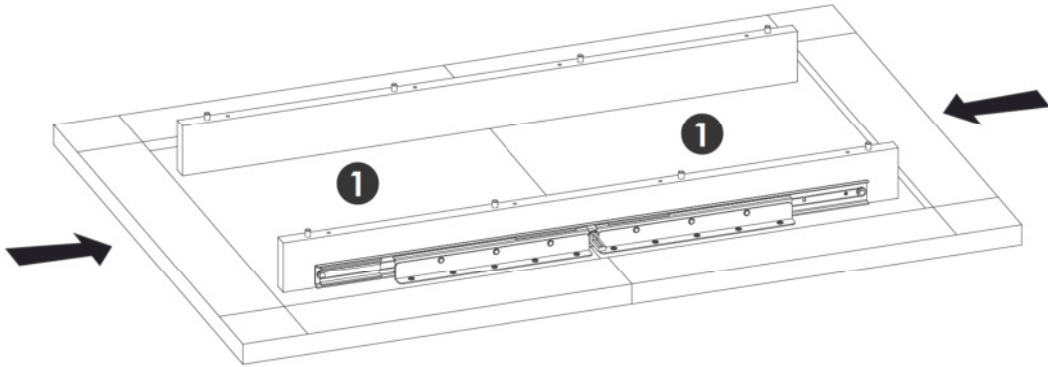
18▶



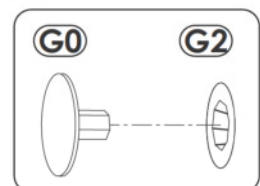
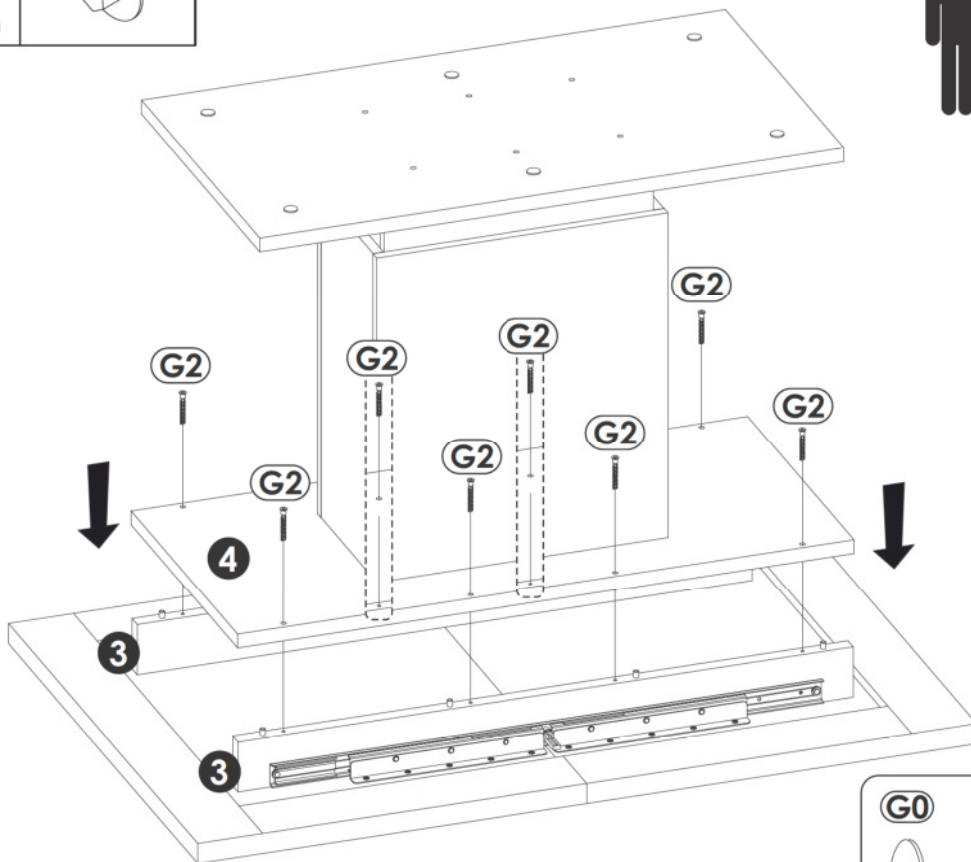
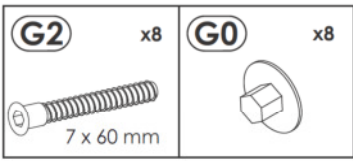
19▶



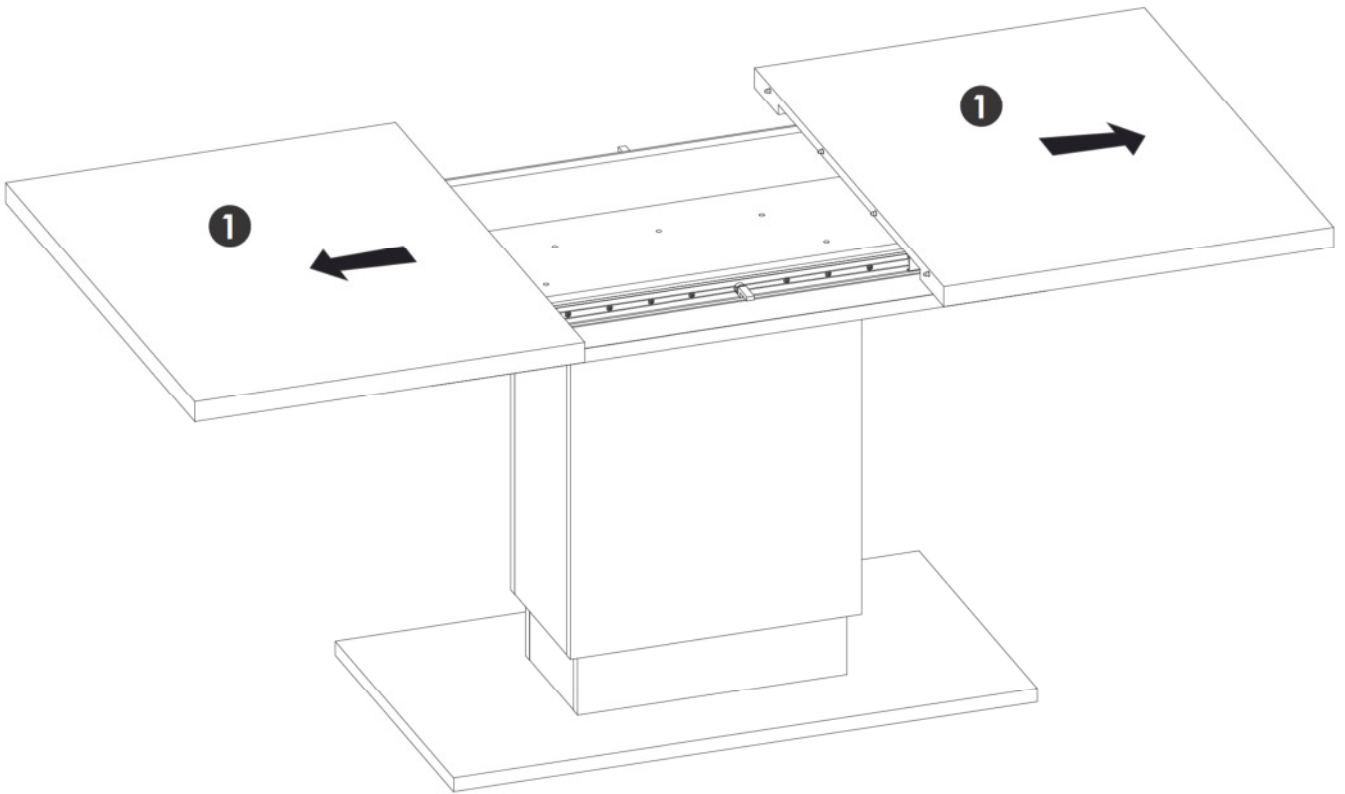
20 ▶






21 ▶

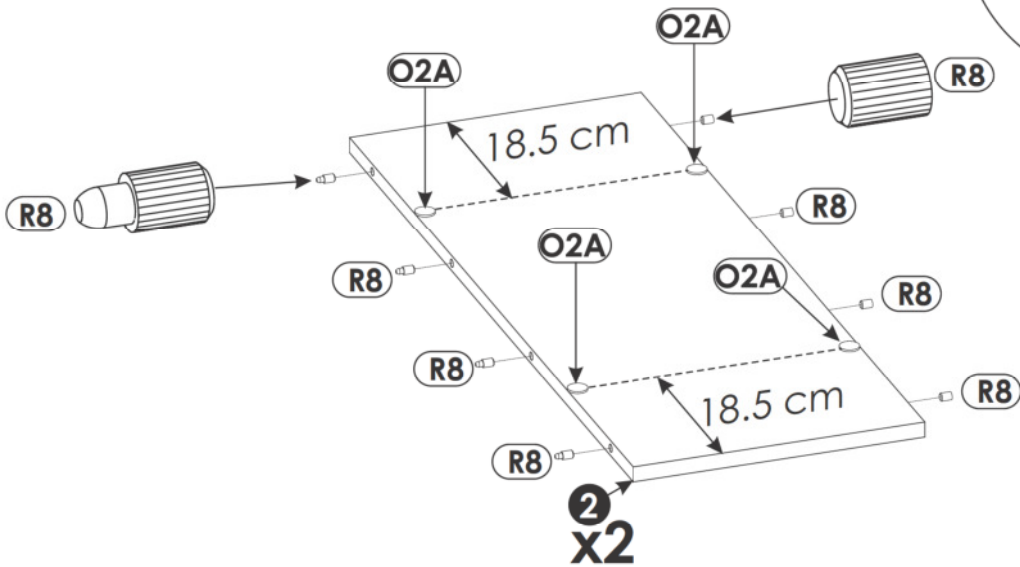
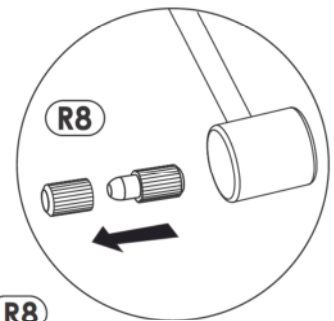


# 22 ▶



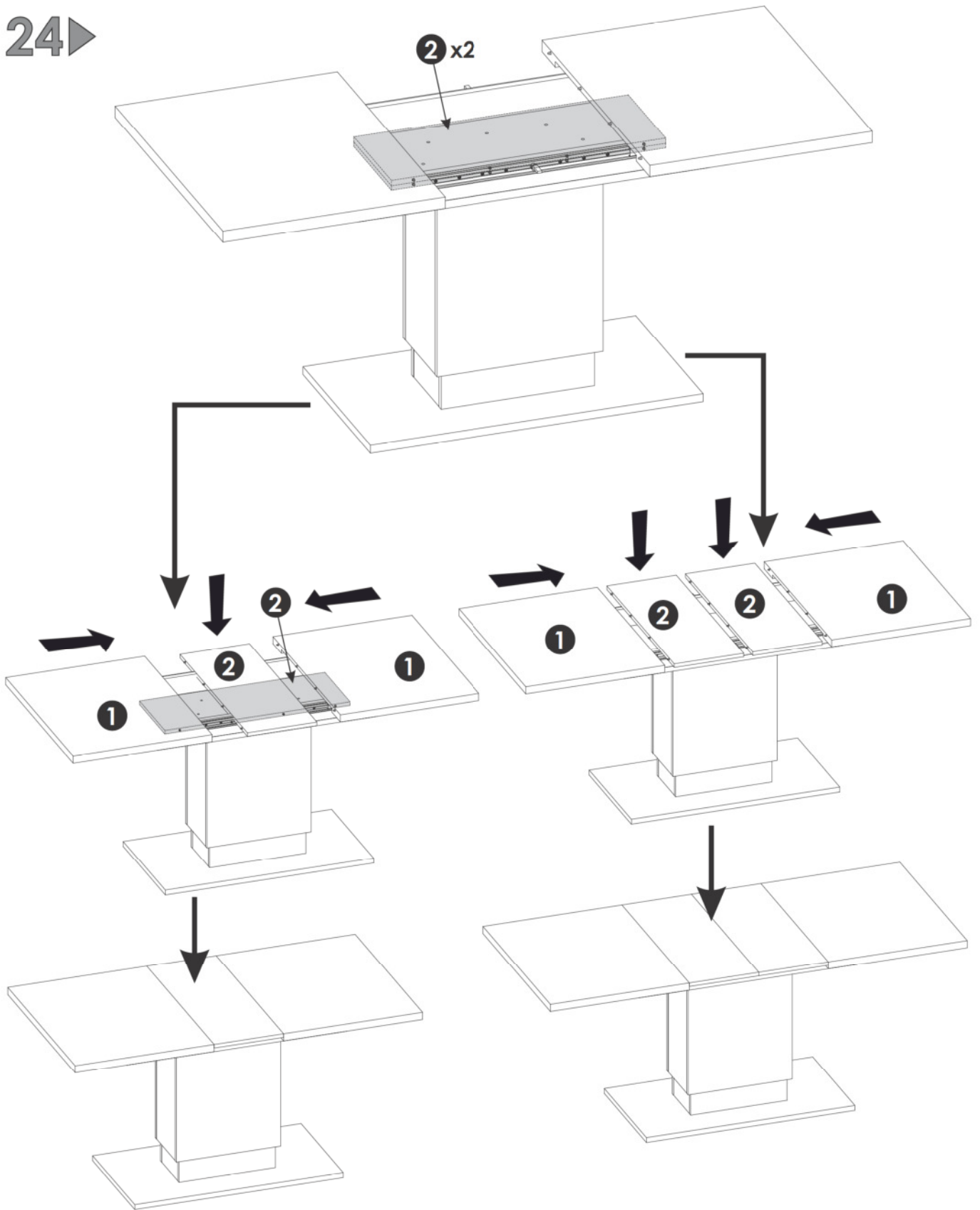
# 23 ▶

<b>O2A</b> x8  ø20	<b>R8</b> x8 	<b>R8</b> x8 
---	---	---

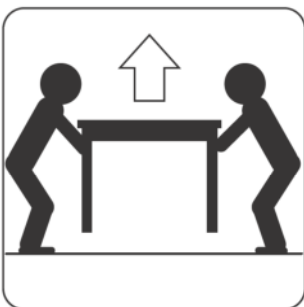
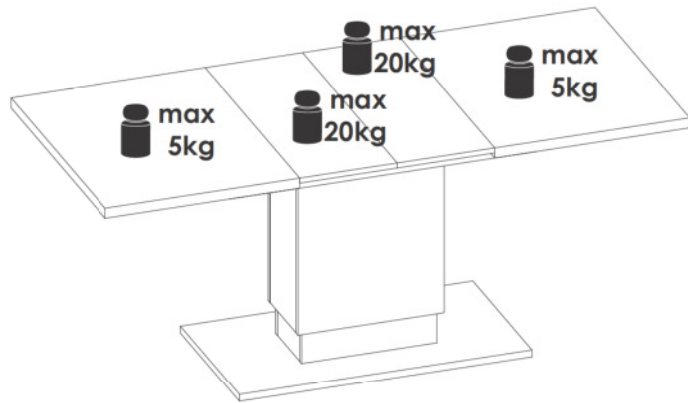
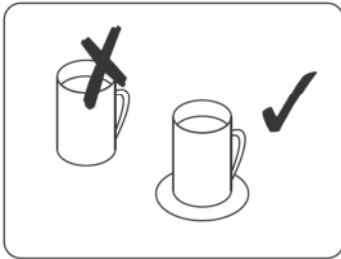
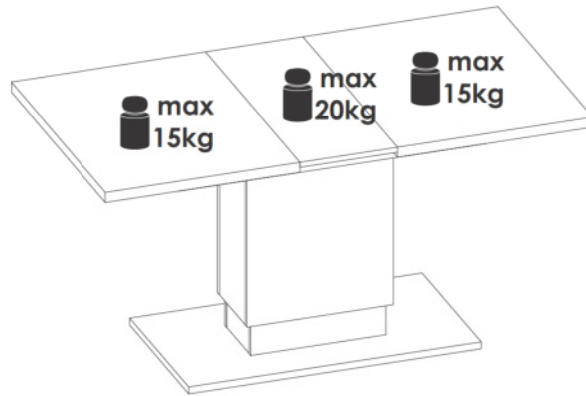
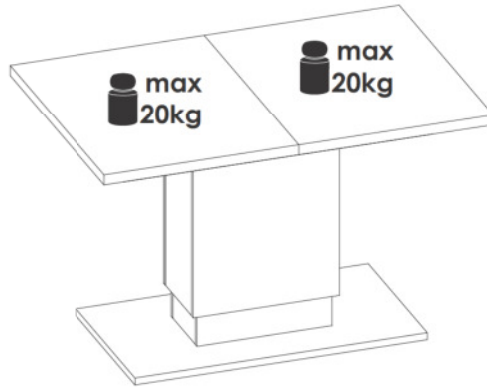


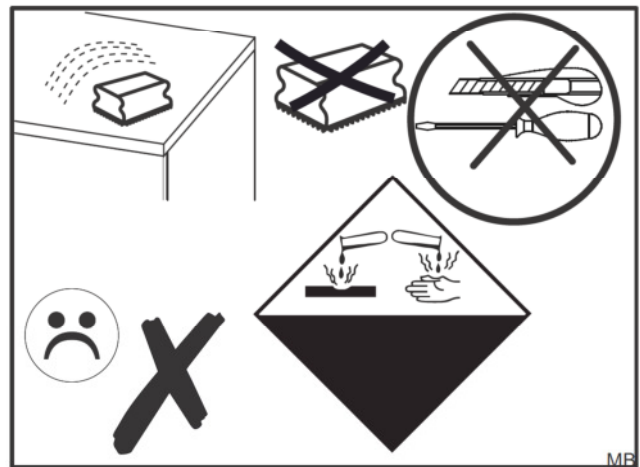
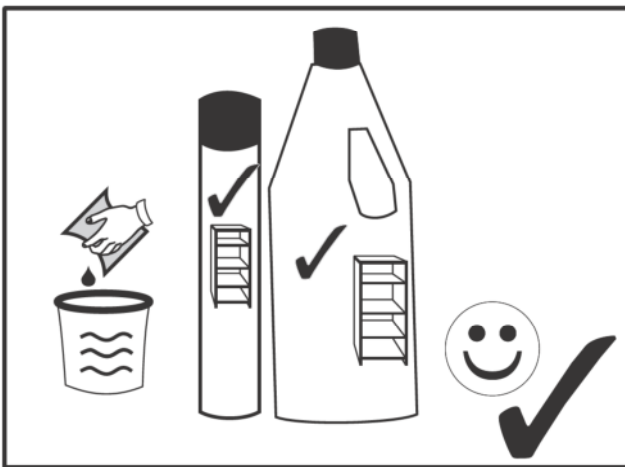
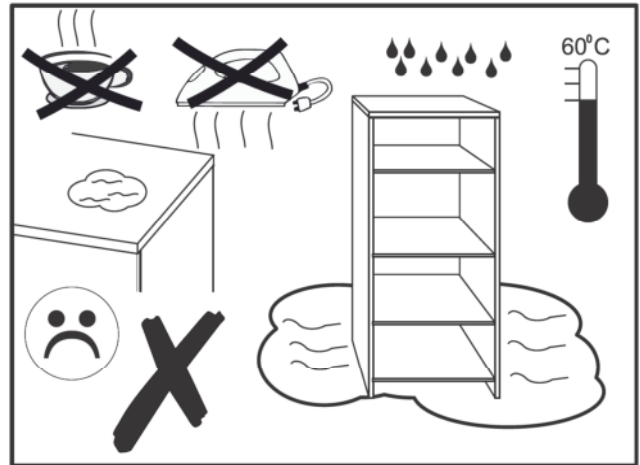
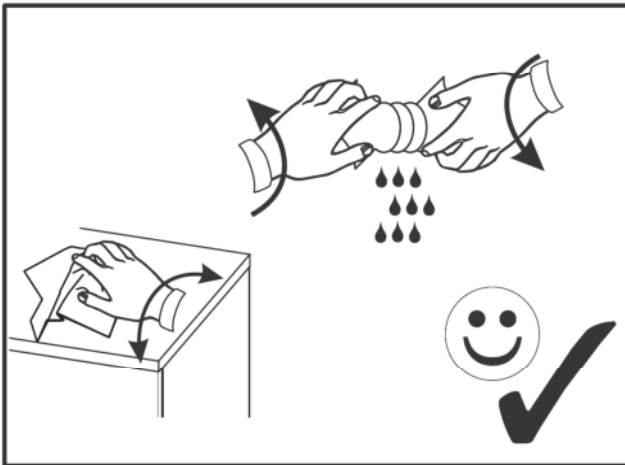
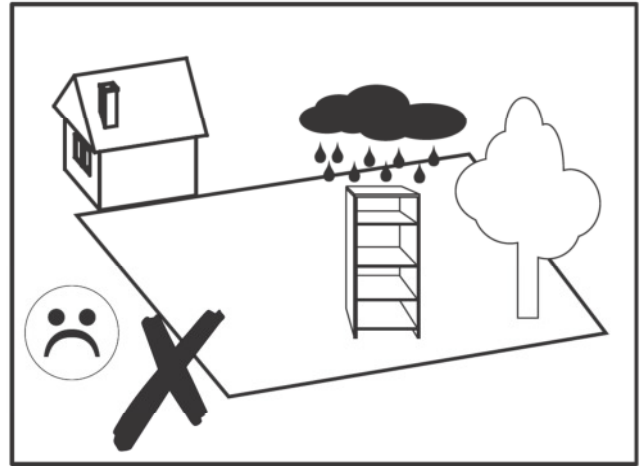
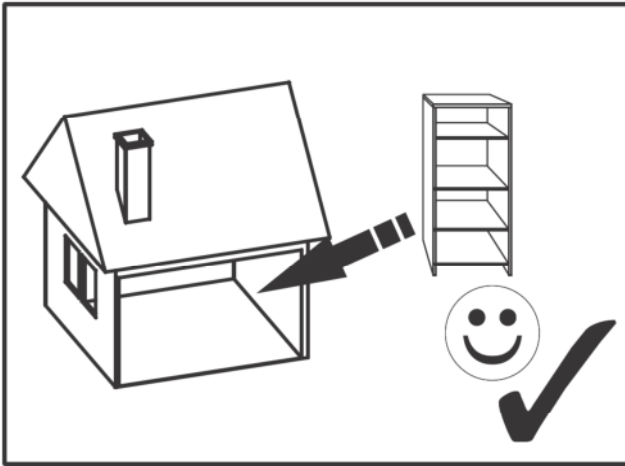


24 ▶



25▶

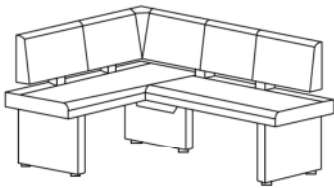




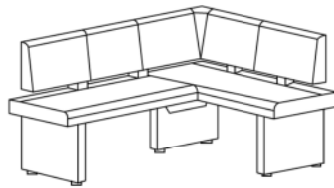
# PIA LEB/REB

Hela Tische Möbel Vertriebs GmbH  
Scheidkamp 14  
D-32584 Löhne

REB



LEB

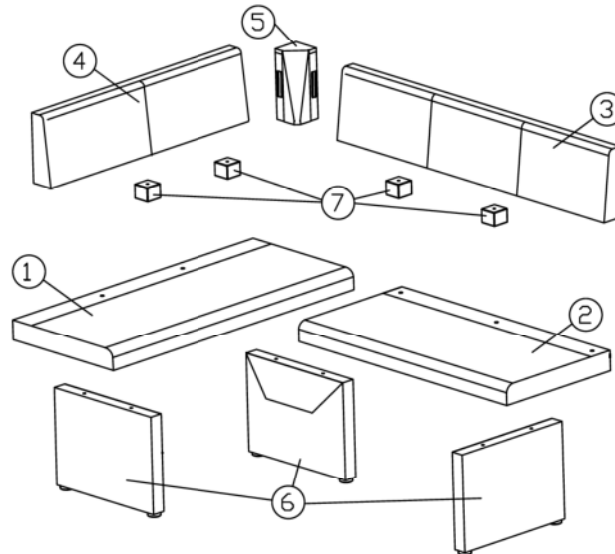


NW



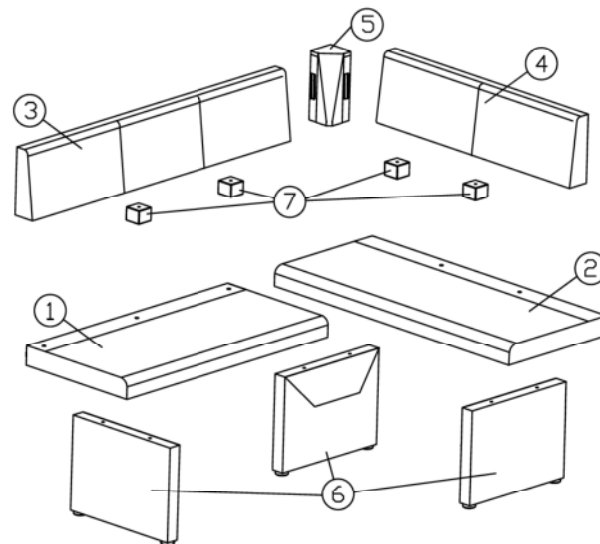
## REB


seite/pages: I-VI











## LEB

seite/pages: VII-XII

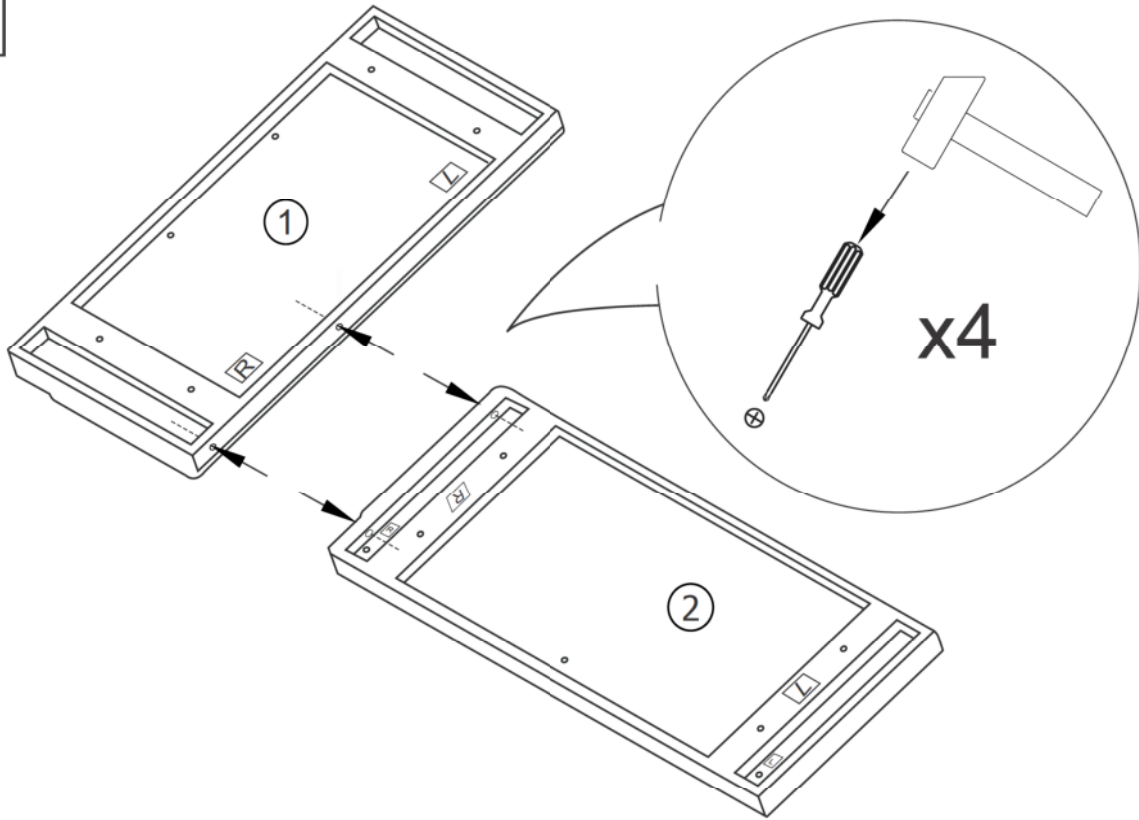


		
1	1x	2/2
2	1x	2/2
3	1x	1/2
4	1x	1/2
5	1x	1/2
6	3x	2/2
7	4x	2/2

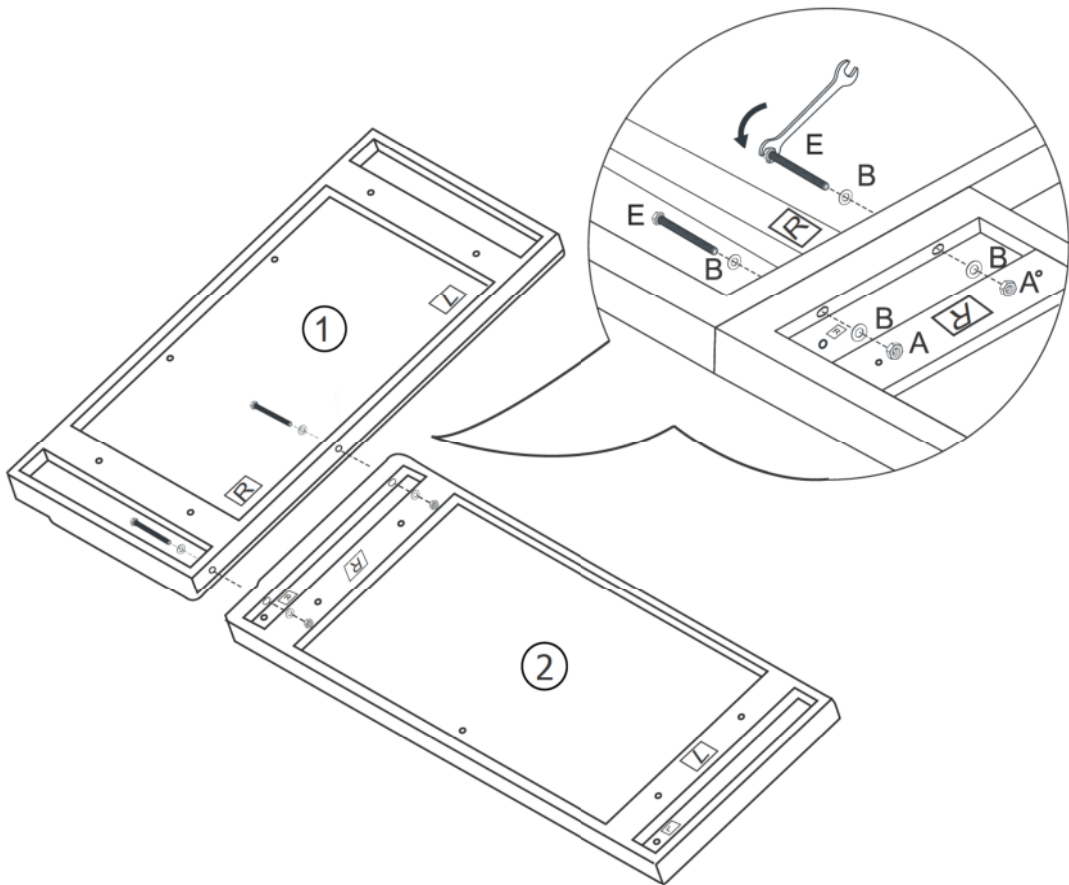
A	M8	B	Ø8	C	M8x90	D	160mm	E	M8x70	F	M6x20	G		H	4mm
	6x		14x		6x		4x		2x		4x		2x		1x




I.

1.



2.

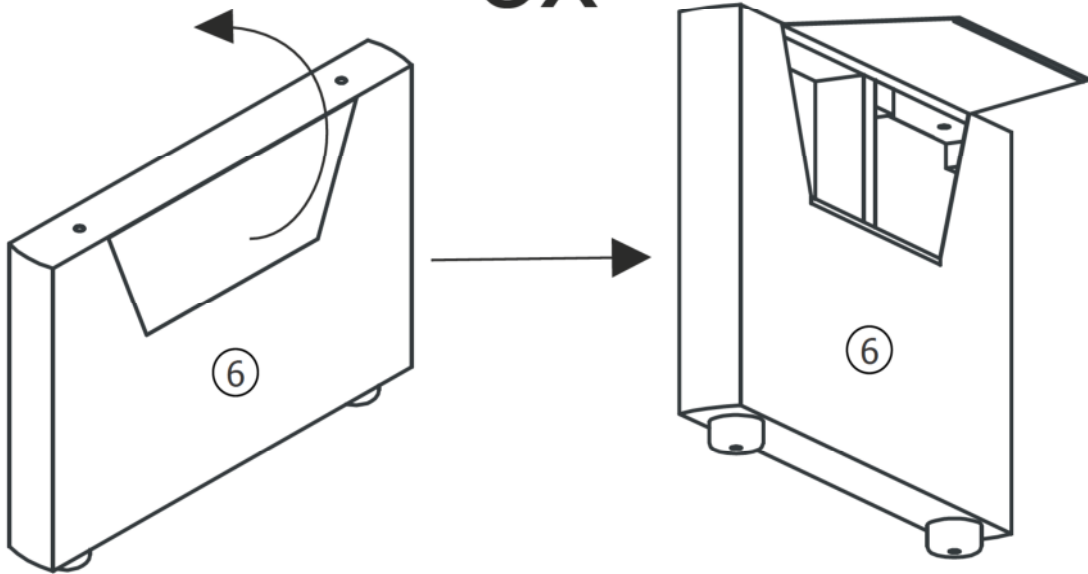


E	2x
	
M8x70	
A	2x
	
M8	
B	4x
	
Ø8	

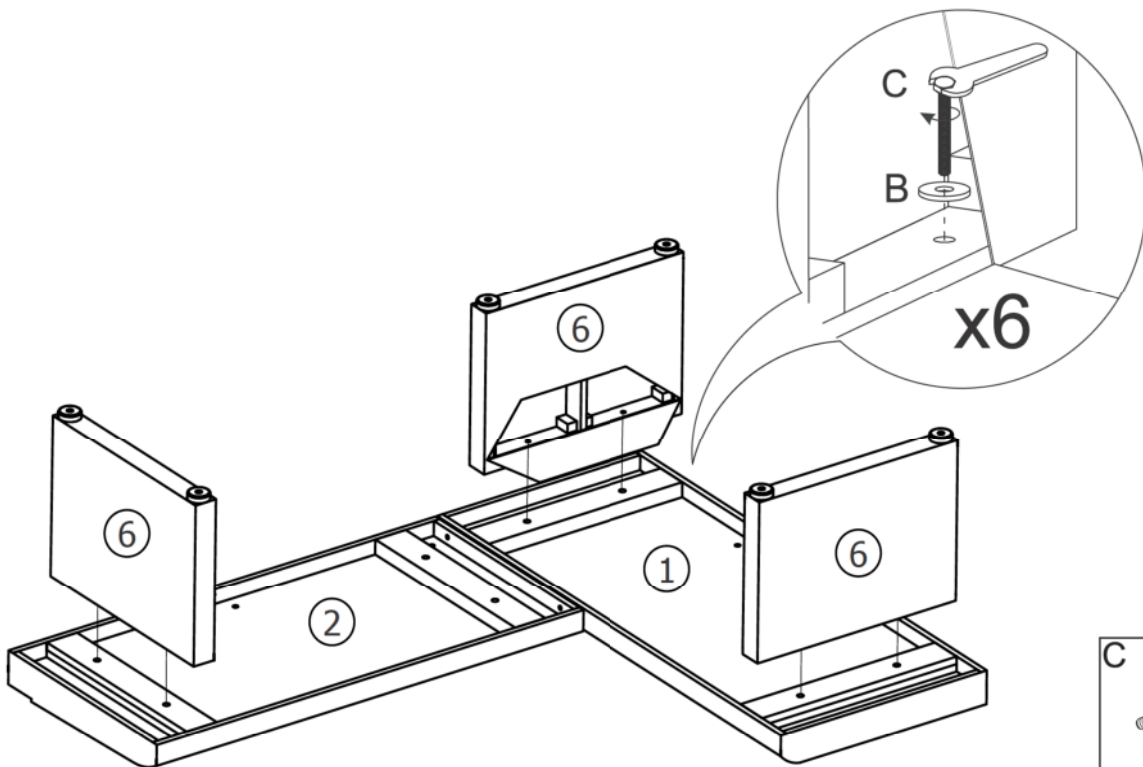
II.



3.

3x



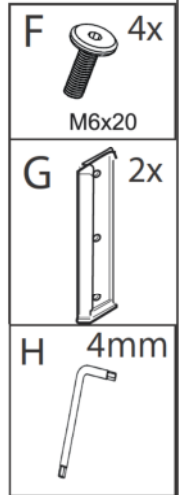
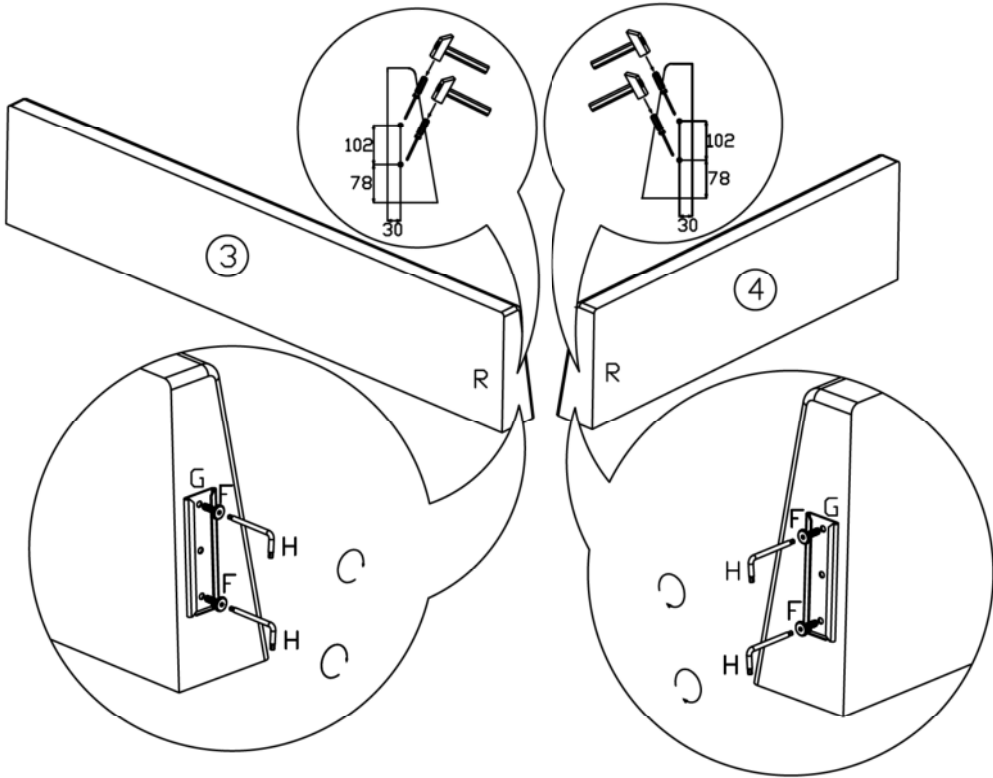
4.



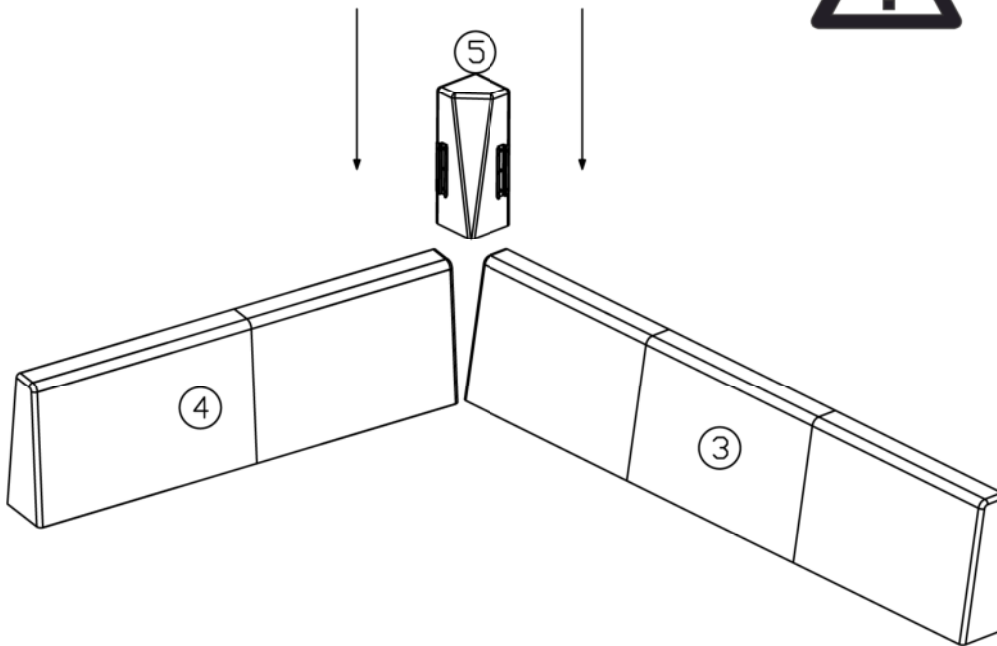
C	6x
	
M8x90	
B	6x
	
Ø8	

III.

5.

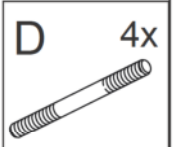
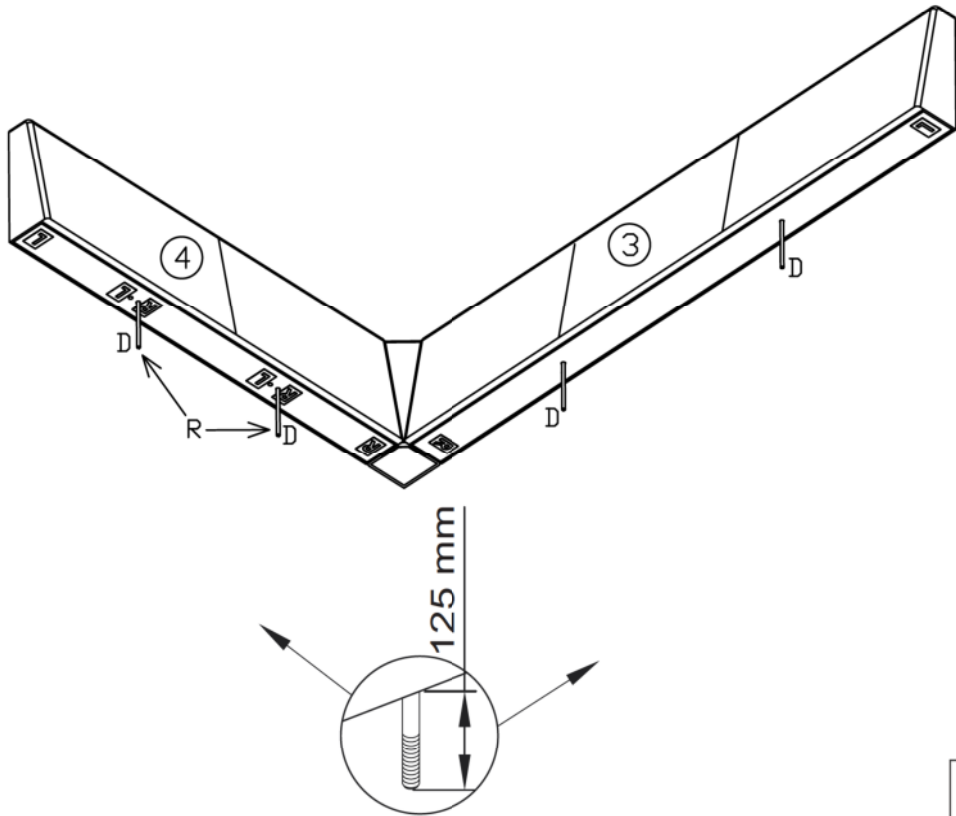


6.

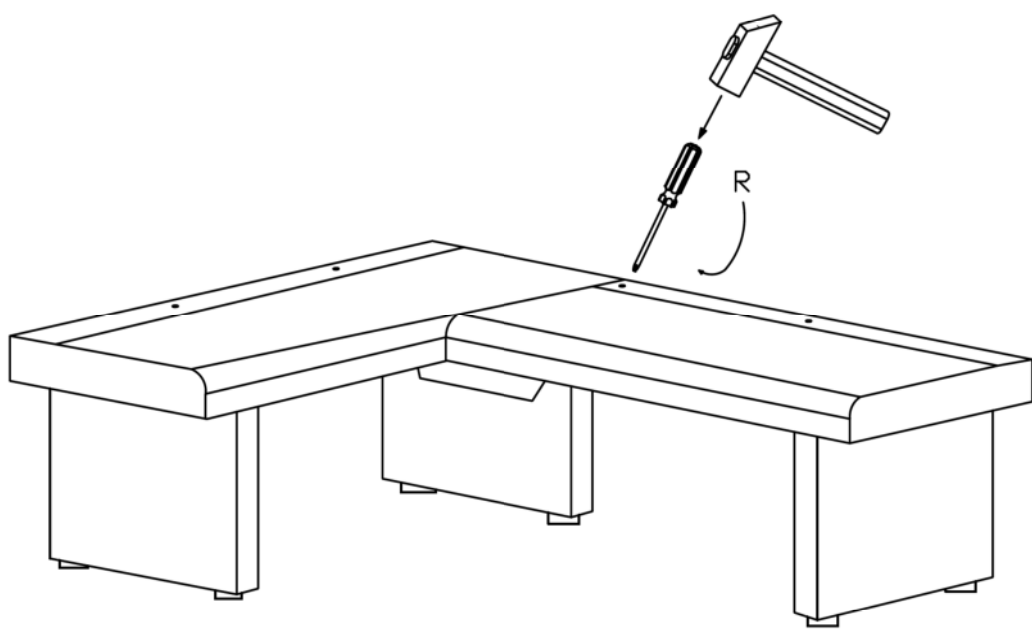


IV.

7.



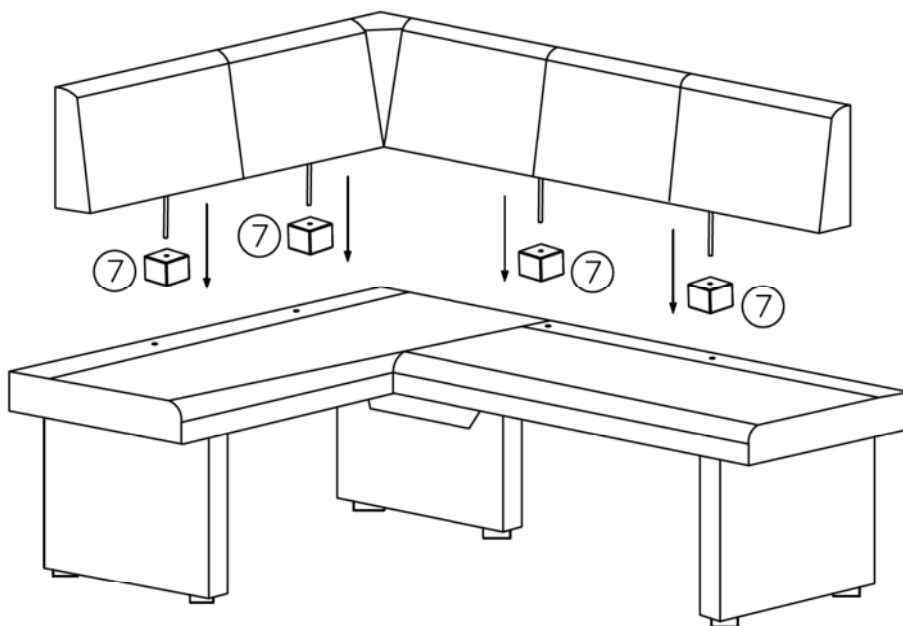
8.



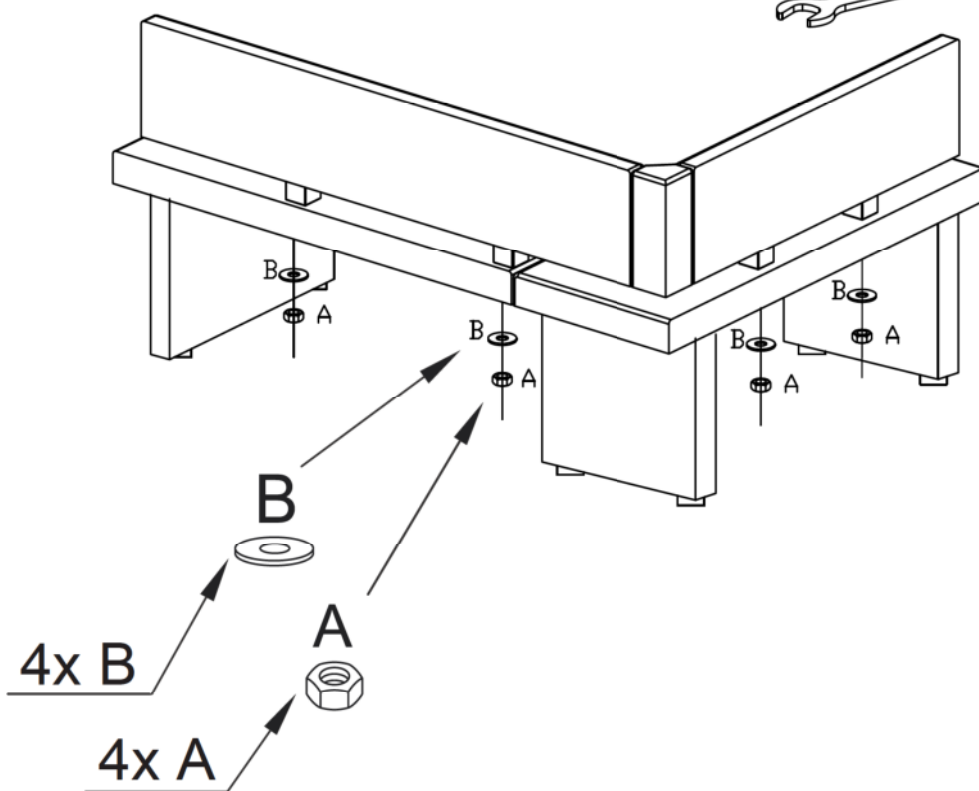




V.

9.



10.

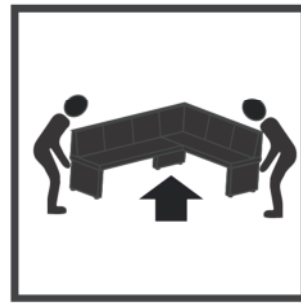
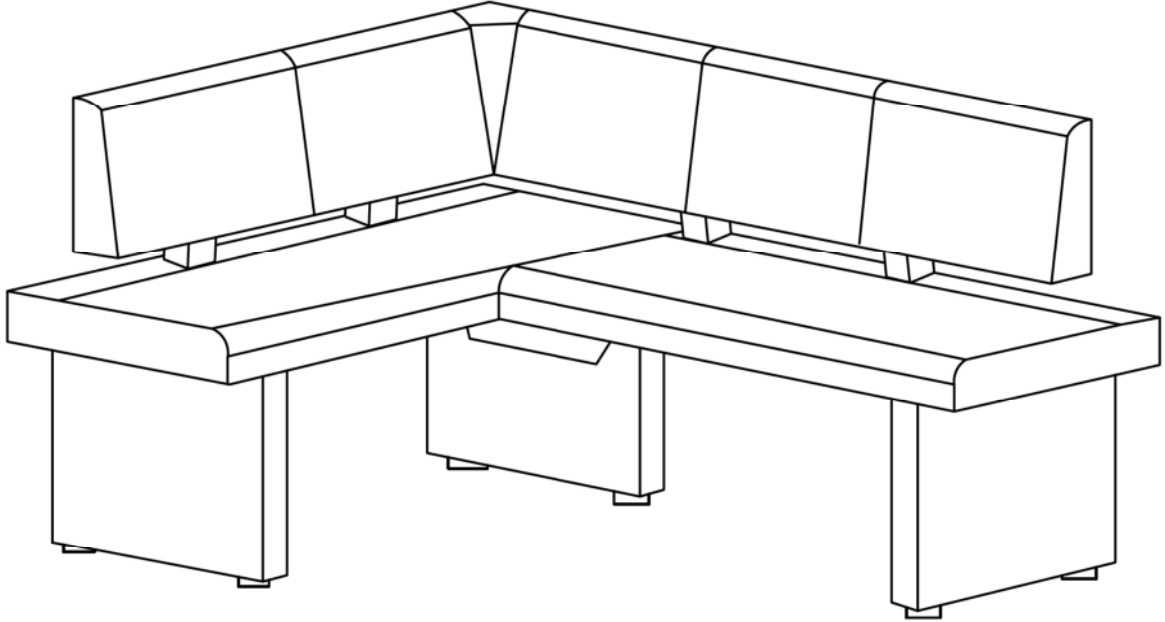


A	4x
	
M8	
B	4x
	
Ø8	

VI.

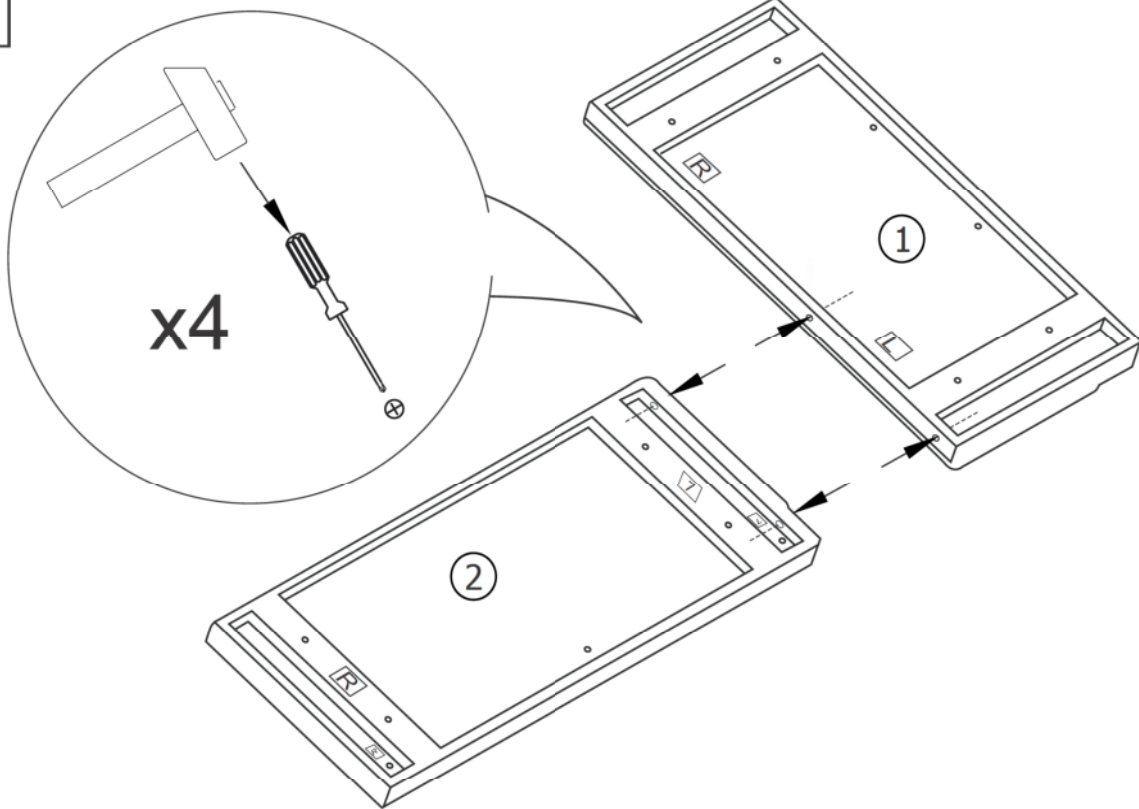
11.

# REB

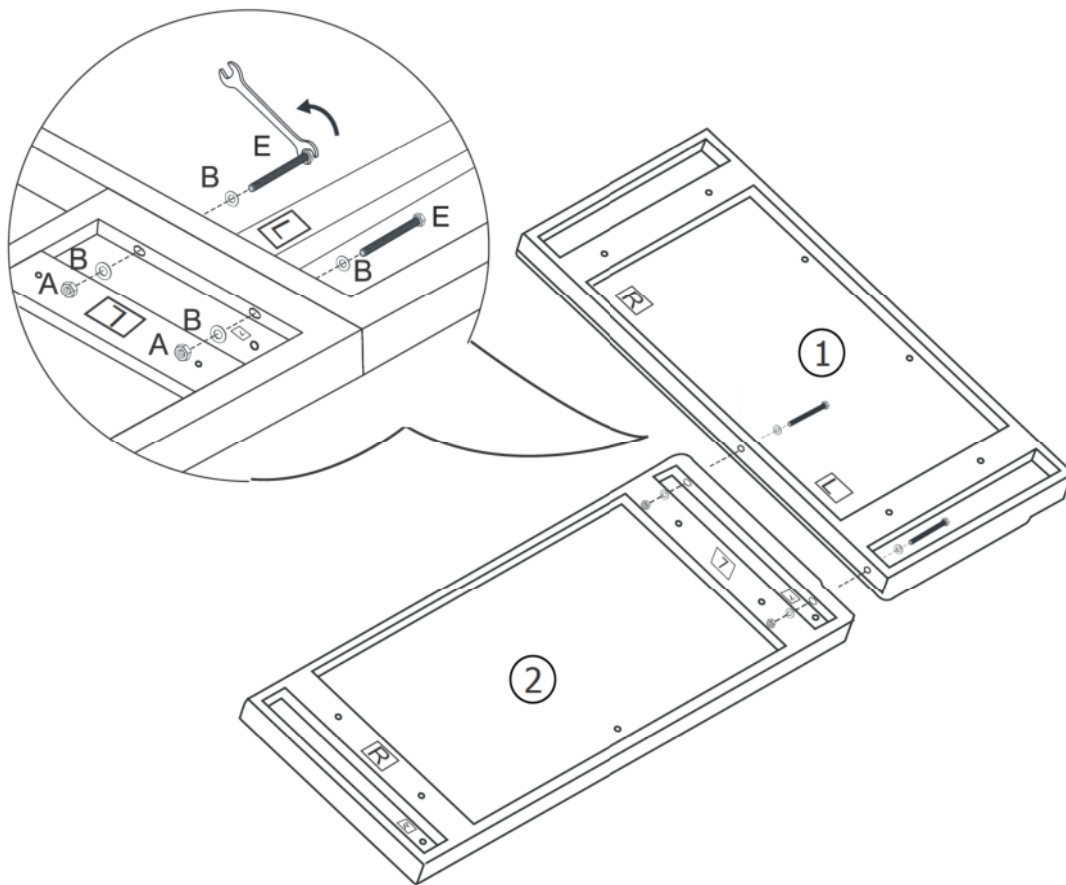





VII.

12.



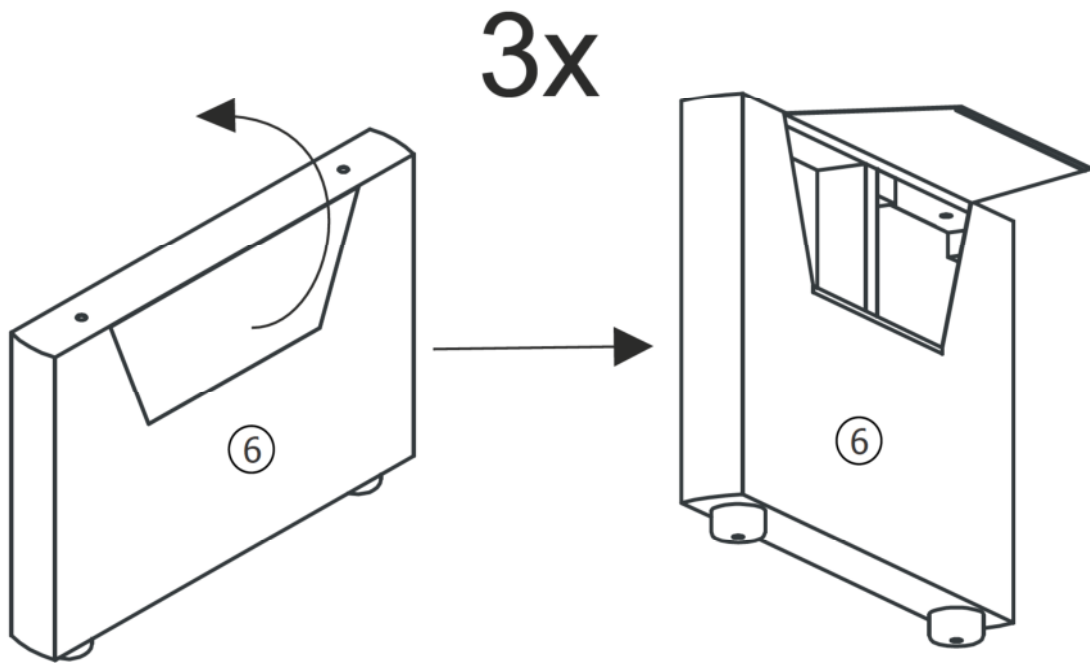
13.



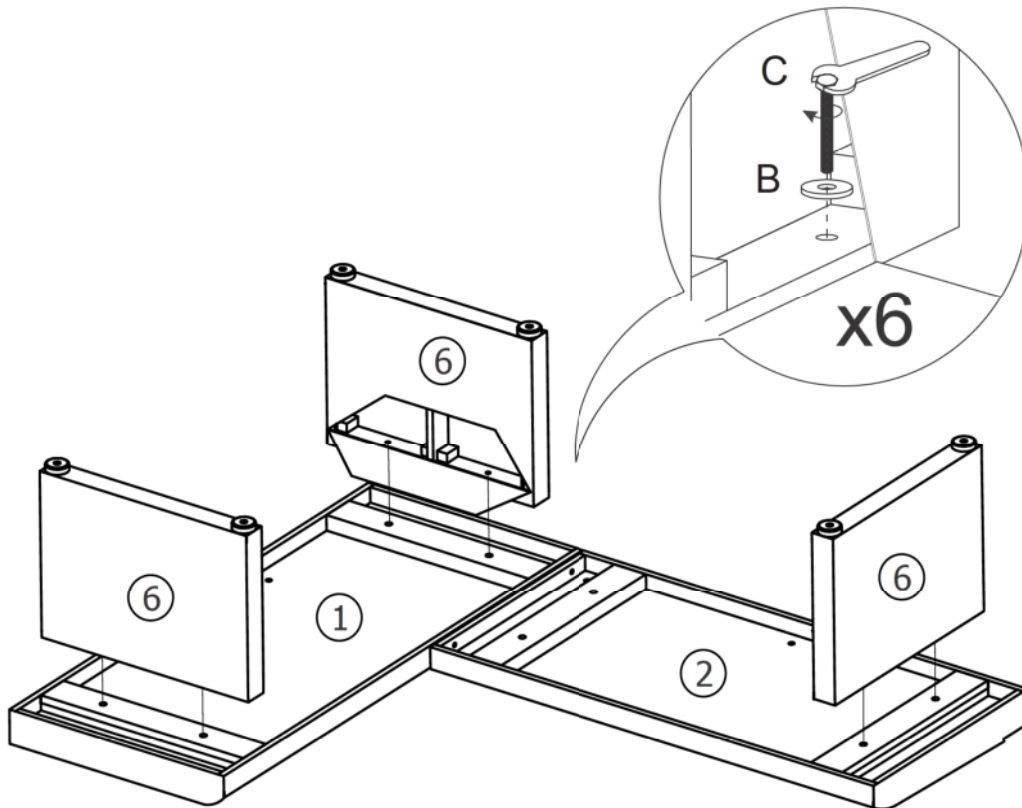
E	2x
	
M8x70	
A	2x
	
M8	
B	4x
	
Ø8	



VIII.

14.



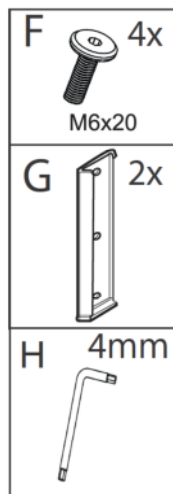
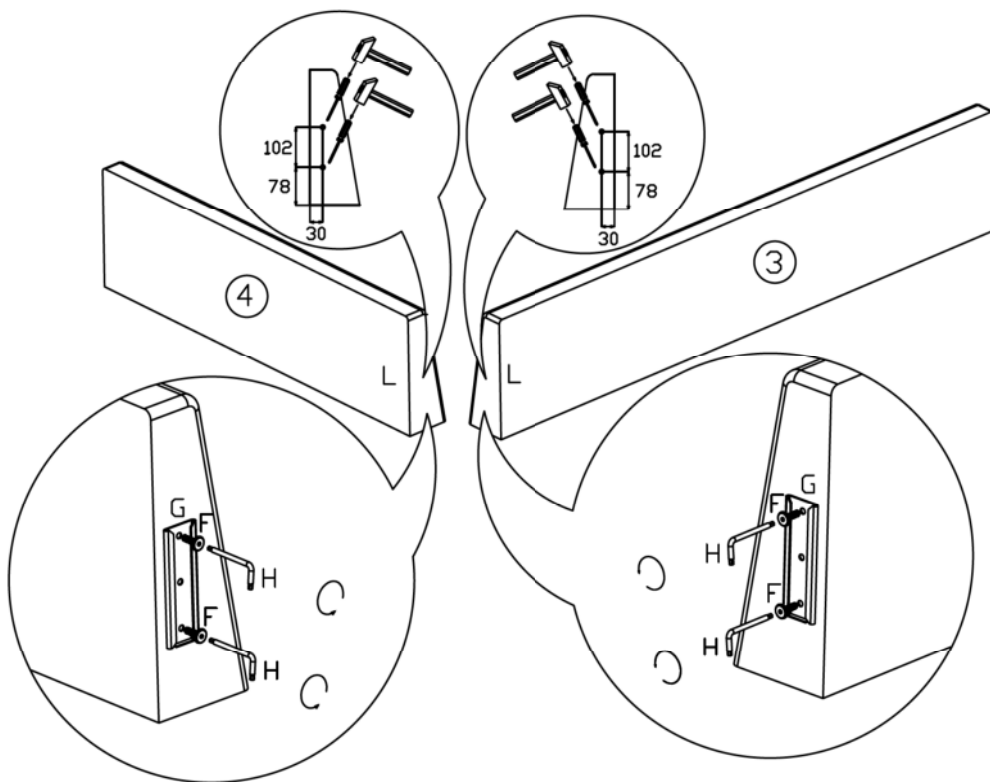
15.



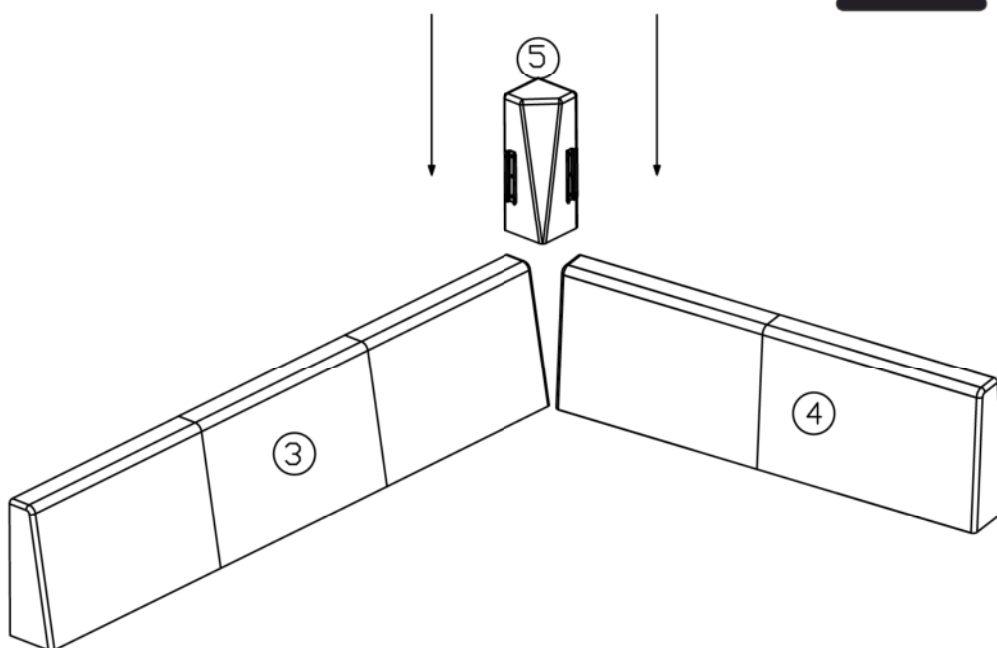
C	6x
	
M8x90	
B	6x
	
Ø8	

IX.

16.

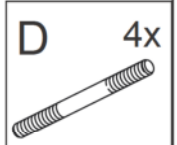
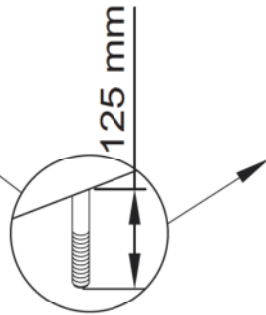
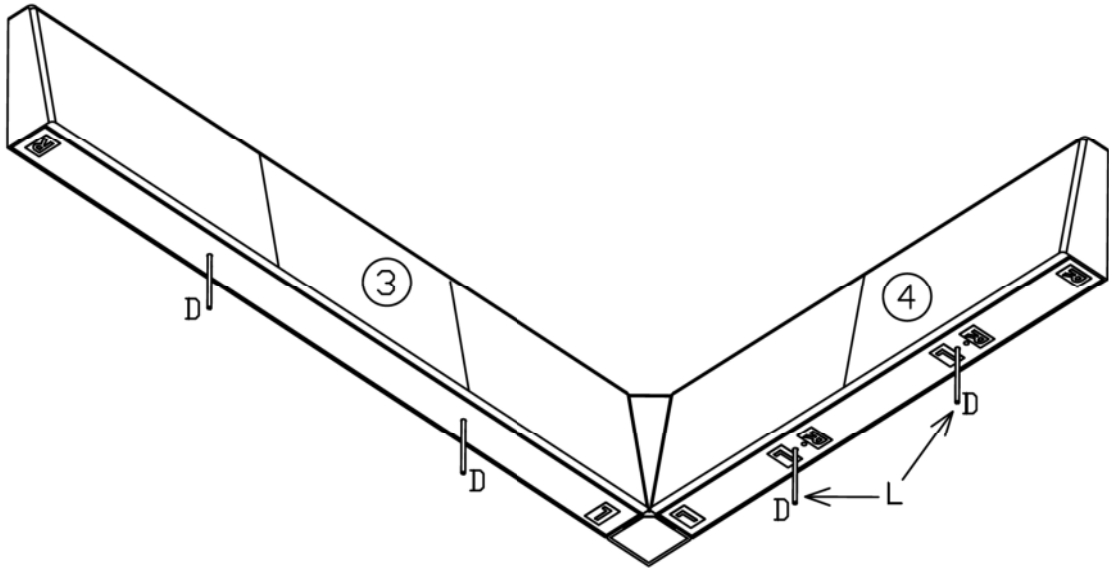


17.

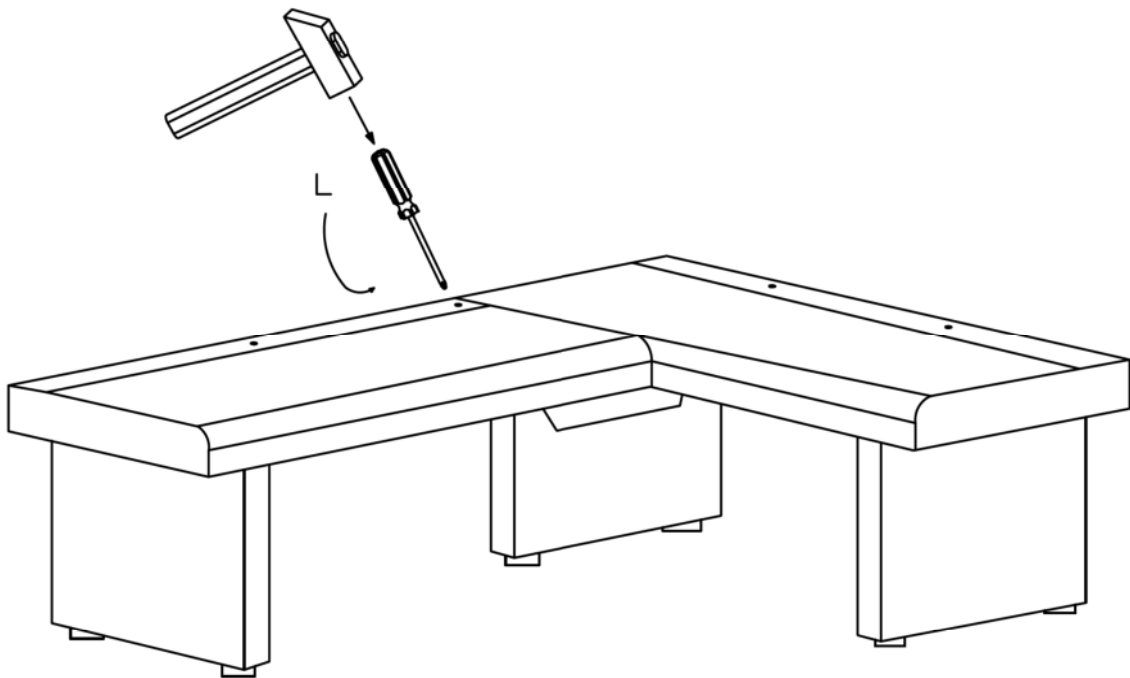


X.

18.

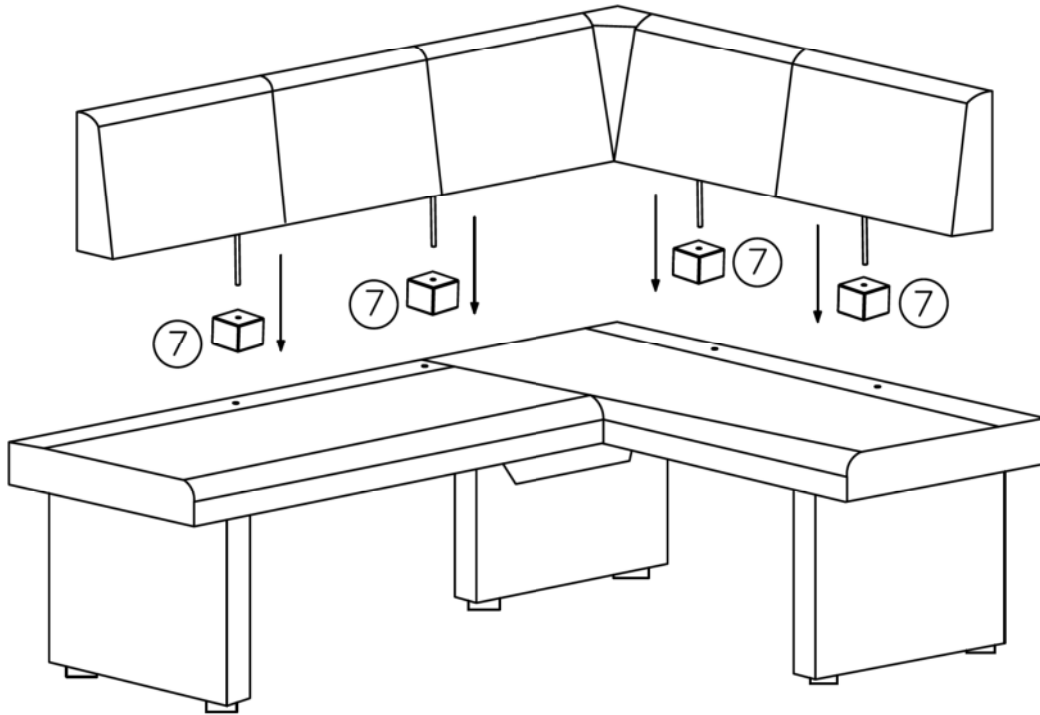


19.

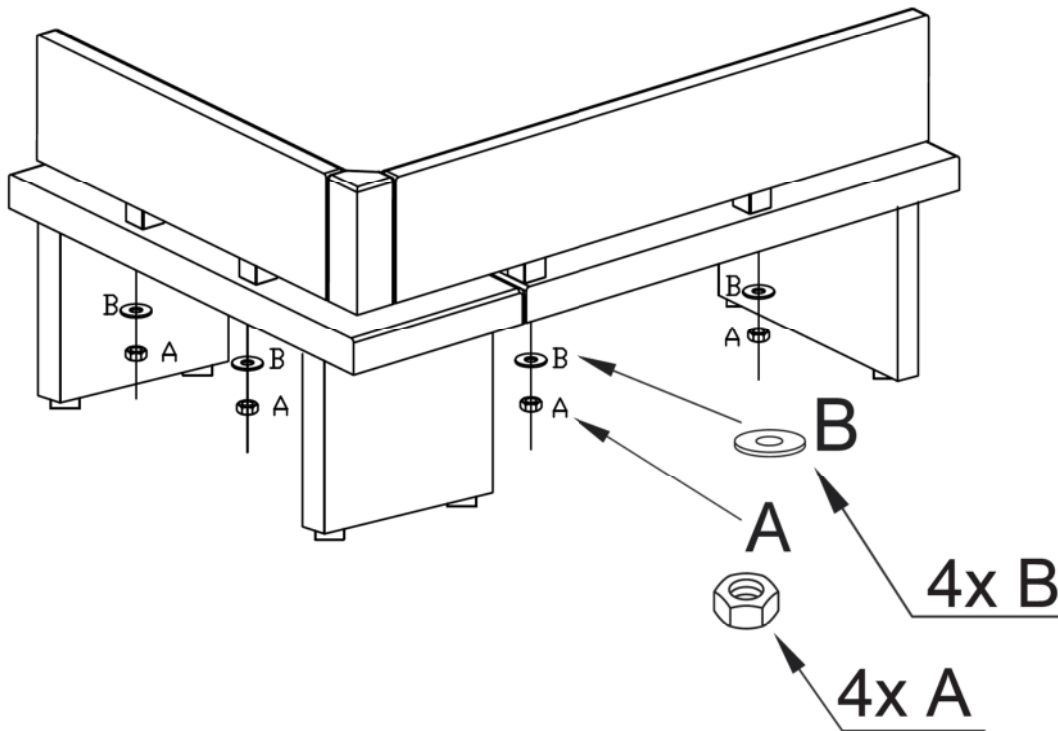


XI.

20.



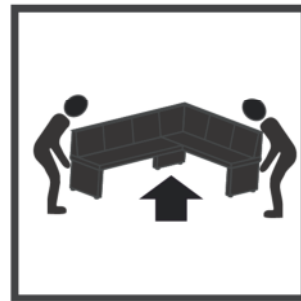
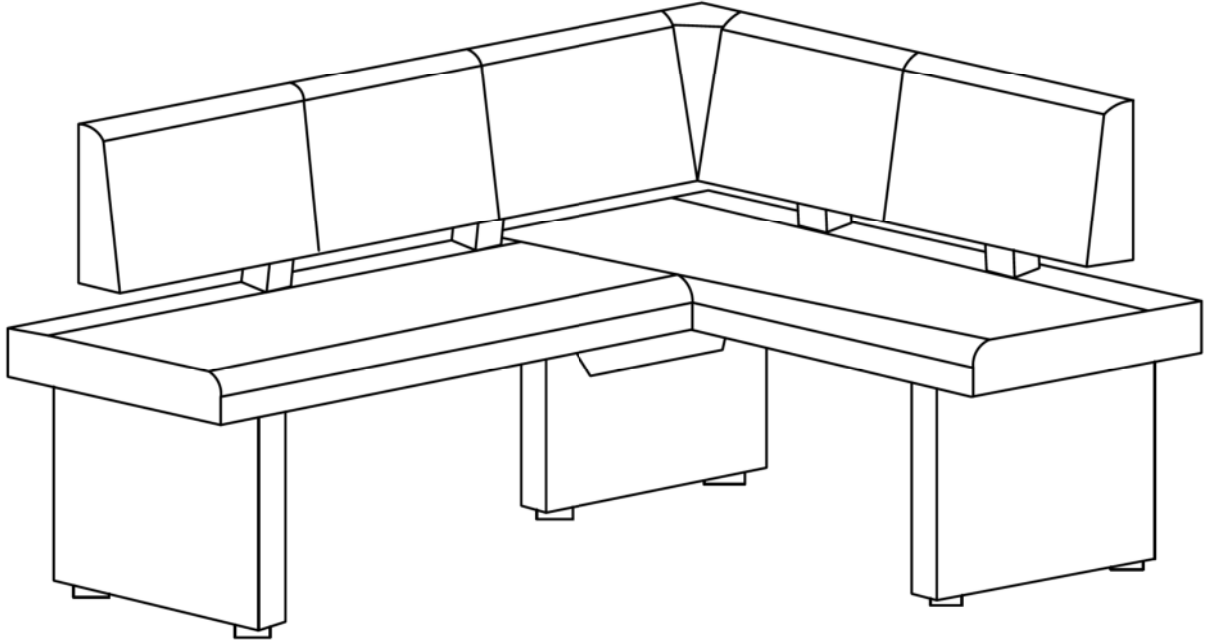
21.



XII.

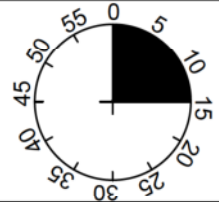
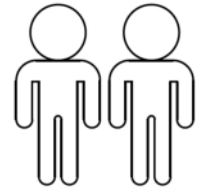
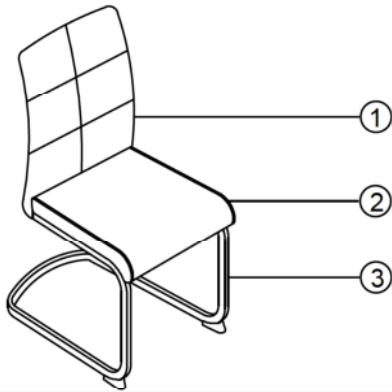
22.

# LEB

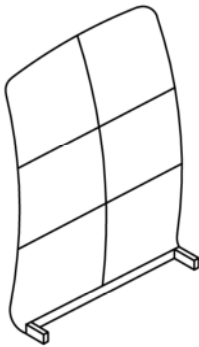




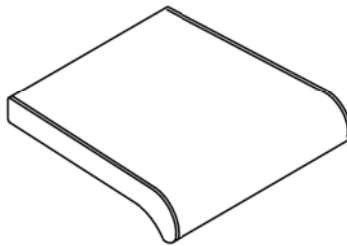
# Pia



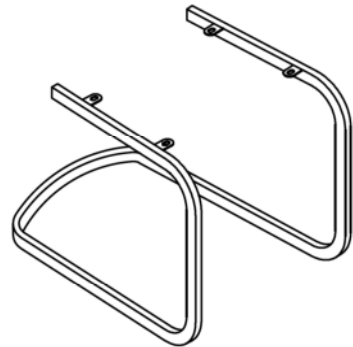
1



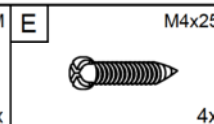
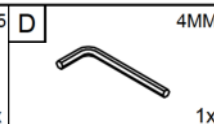
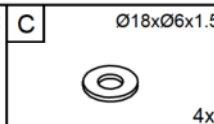
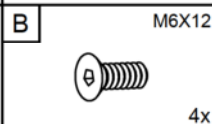
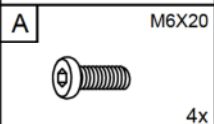
2



3



1	1x
2	1x
3	1x



**I.**

**1**

E M4x25  
4x

F  
2x

100%

**2**

B M6x12  
4x

D 4MM  
1x

75%

**3**

A M6X20  
4x

C Ø18xØ6x1.5  
4x

D 4MM  
1x

75%

**4**

D 4MM  
1x

100%



**LE TRI  
+ FACILE**



Séparez les éléments avant de trier