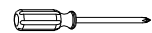
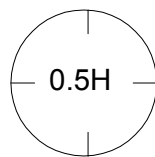
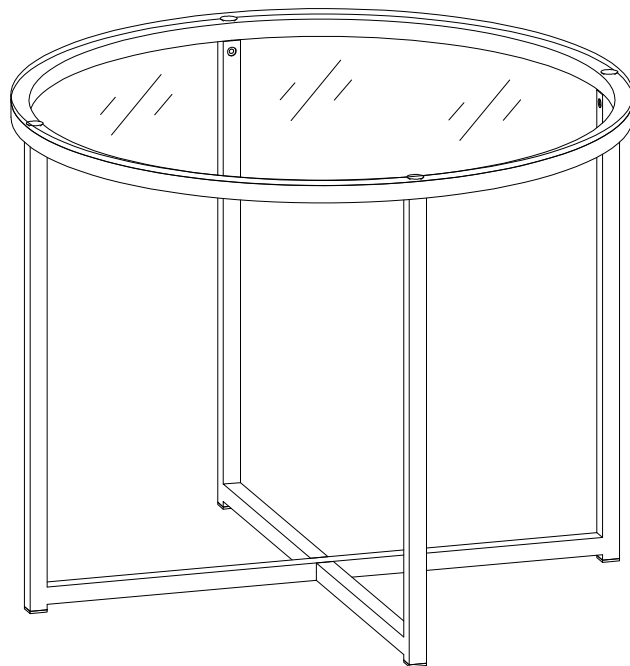
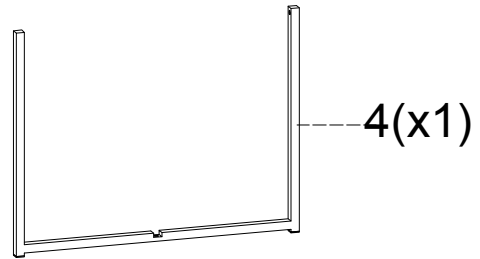
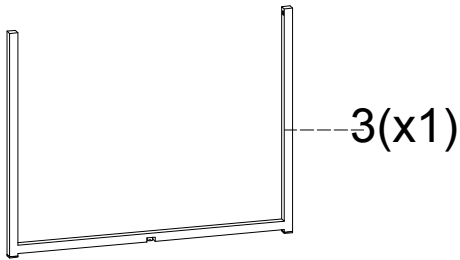
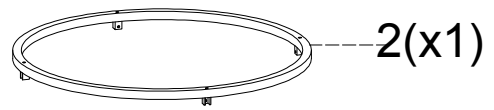


---

# Cross end table



# Cross end table



M4x10



Ax5



Bx4

