
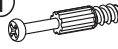



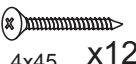
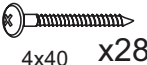
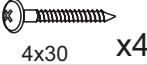


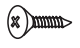




Beschläge - Colli 2


B1		x64
	φ 8x28	
T1		x26
M1		x26
K2		x6
	7x70	
C2		x6
	φ 20	
S15		x12
	4x45	
P7		x28
	4x40	
P5		x4
	4x30	
F15		x4

I4		x6
S3		x12
	3,5x13	


R11		x6
	350	


E4		x12
	6,0x8	

A1		x6
	M4x9	

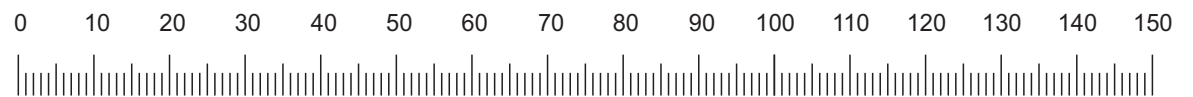
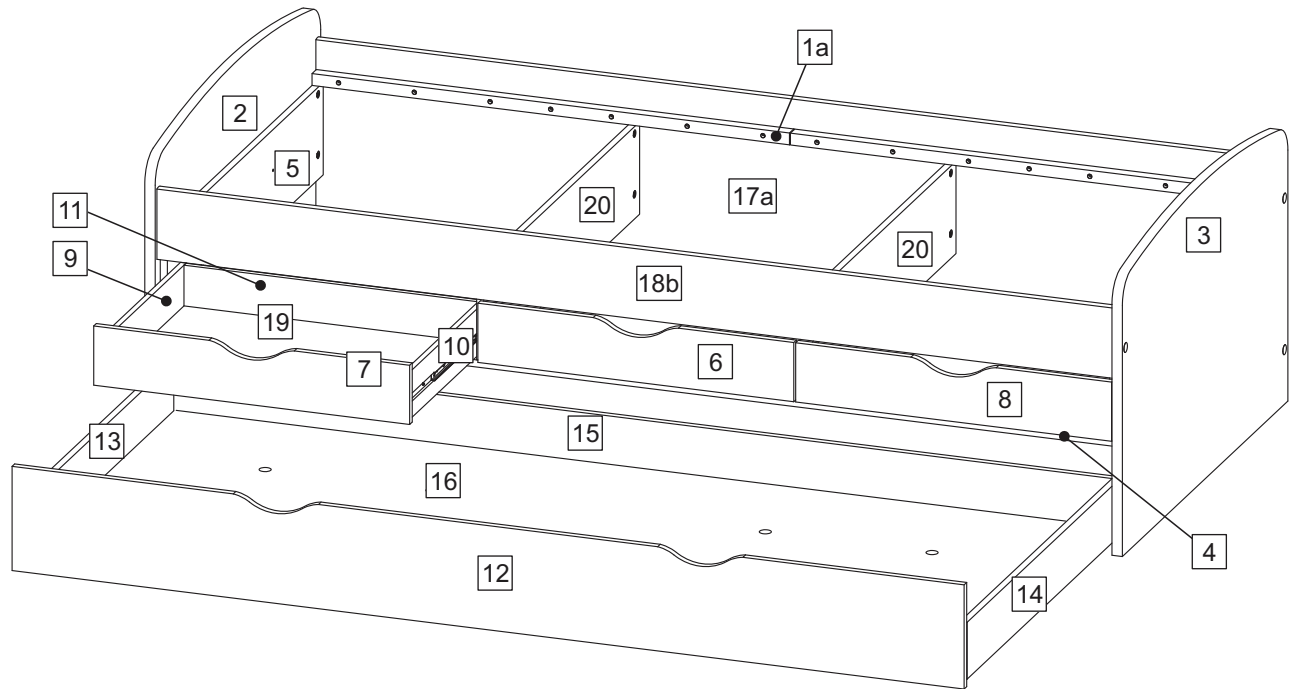
J23		x12
------------	---	-----

L1		x2
-----------	---	----

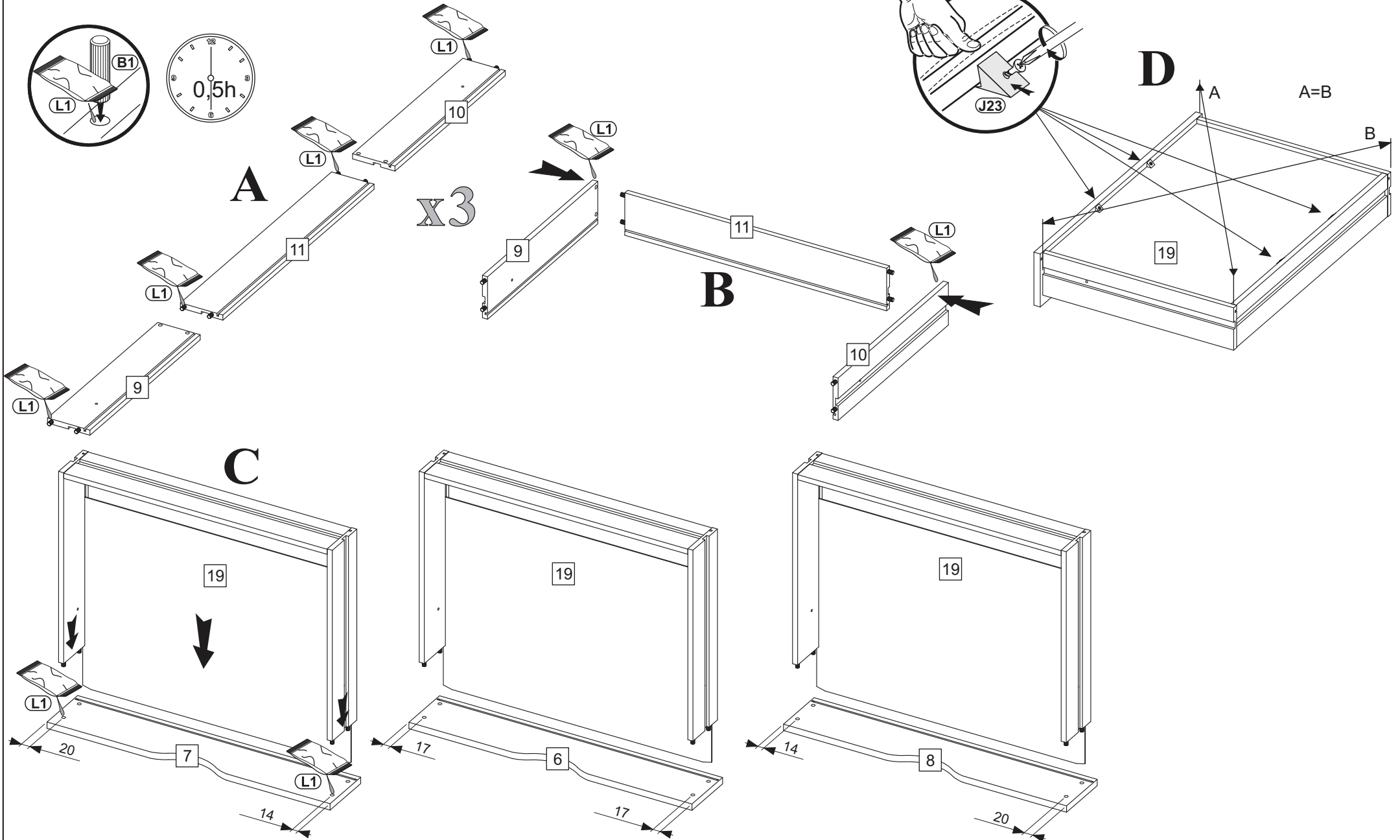
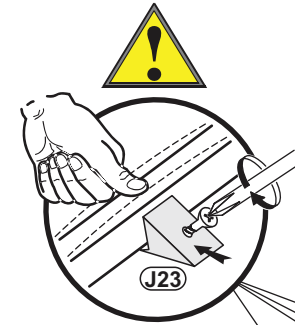
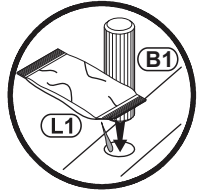
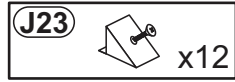
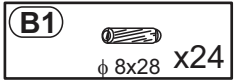
L21		x4
------------	---	----

P13		x16
	3,5x13	

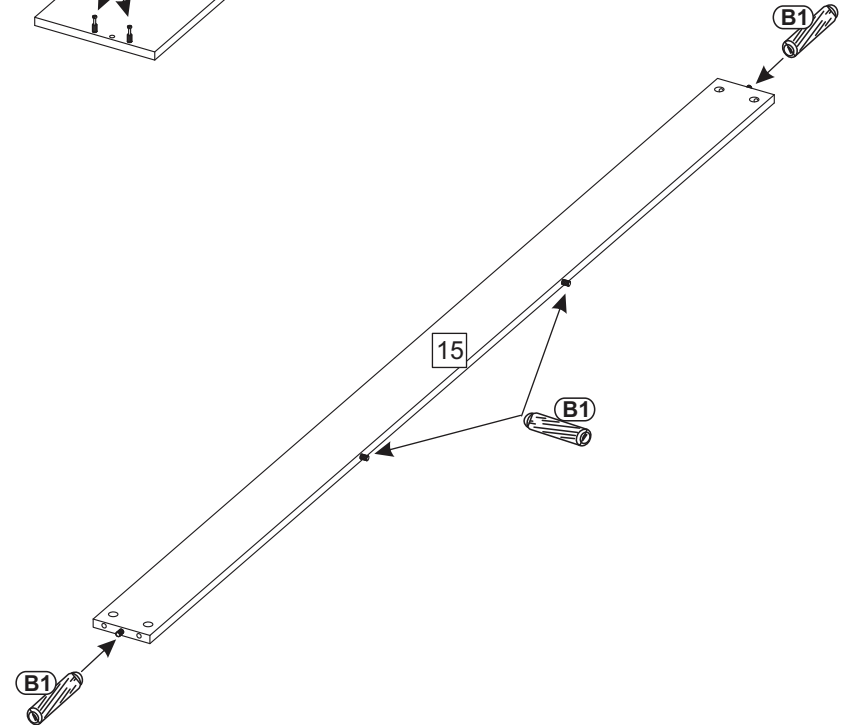
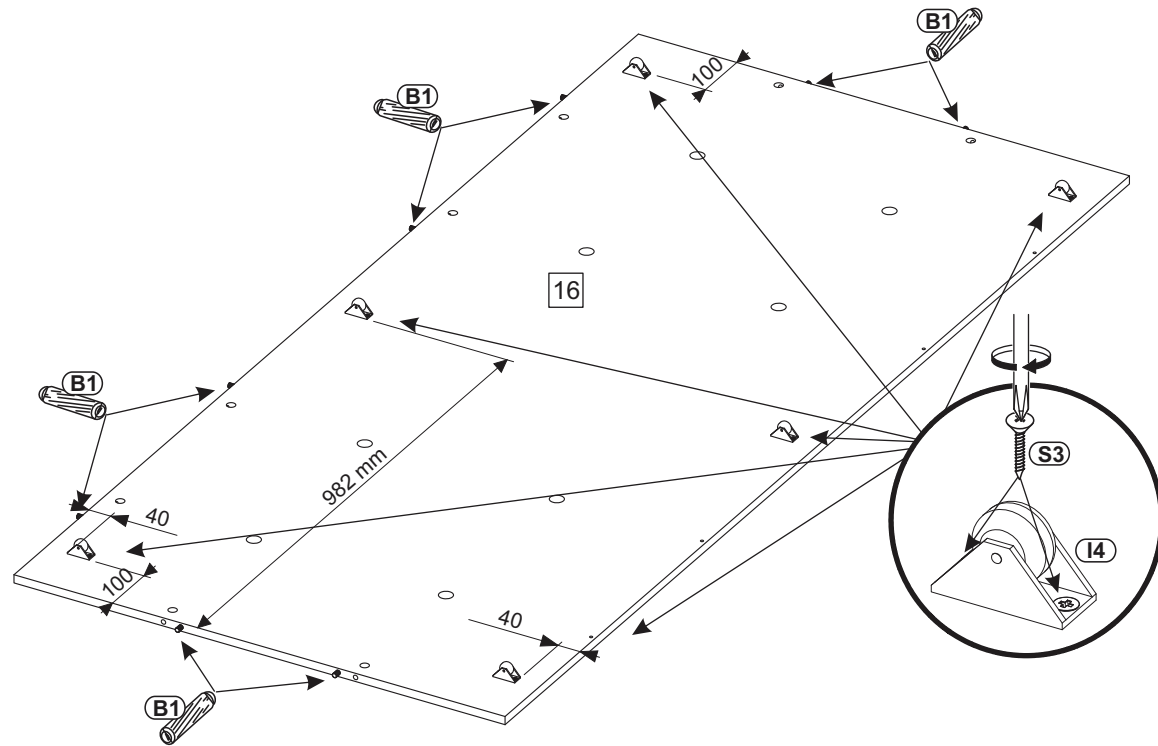
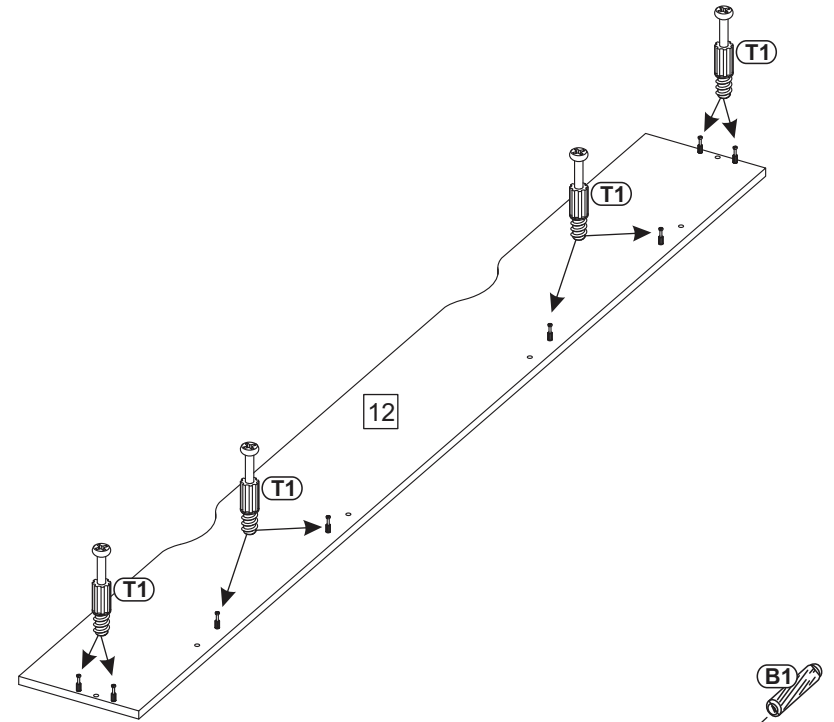
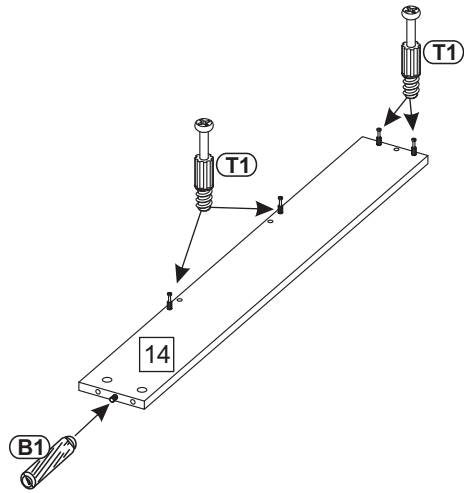
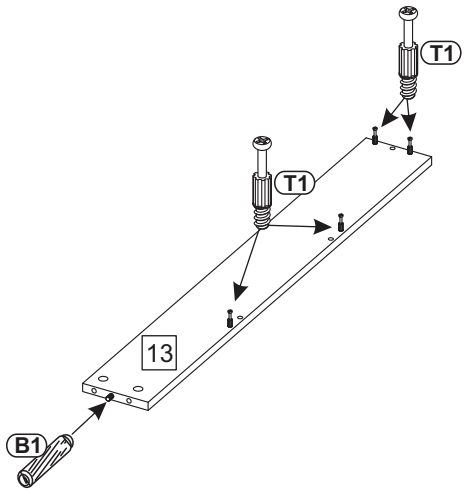
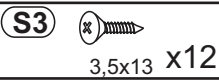
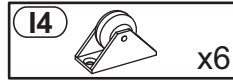
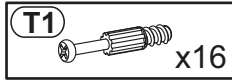
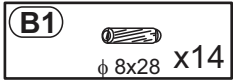
Nr	Ausmaß	St	Colli		
1	1008	25	4	3	
2	960	630	22	1	2
3	960	630	22	1	2
4	2020	180	15	1	3
5	904	195	15	2	2
6	667	125	15	1	3
7	667	125	15	1	3
8	667	125	15	1	3
9	450	100	12	3	3
10	450	100	12	3	3
11	621	100	12	3	3
12	2010	220	15	1	3
13	900	120	15	1	1
14	900	120	15	1	1
15	1982	104	15	1	1
16	1982	900	15	1	1
17	2020	520	18	1	3
18	2020	150	18	1	3
19	632	449	2	3	3
20	904	195	15	2	2



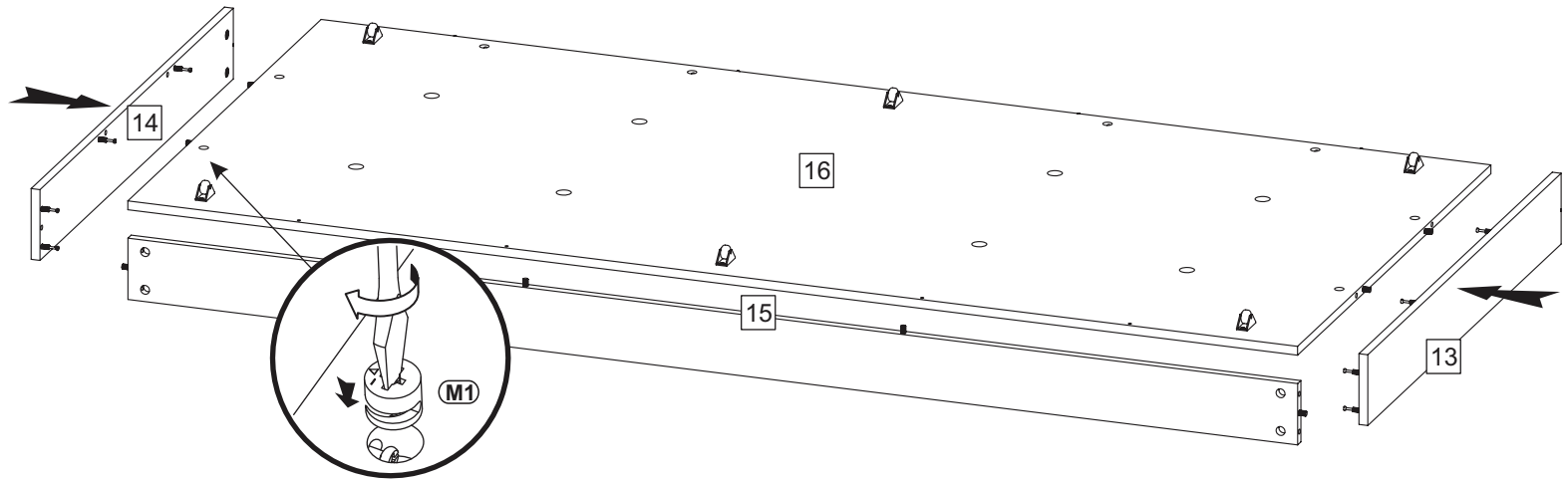
1



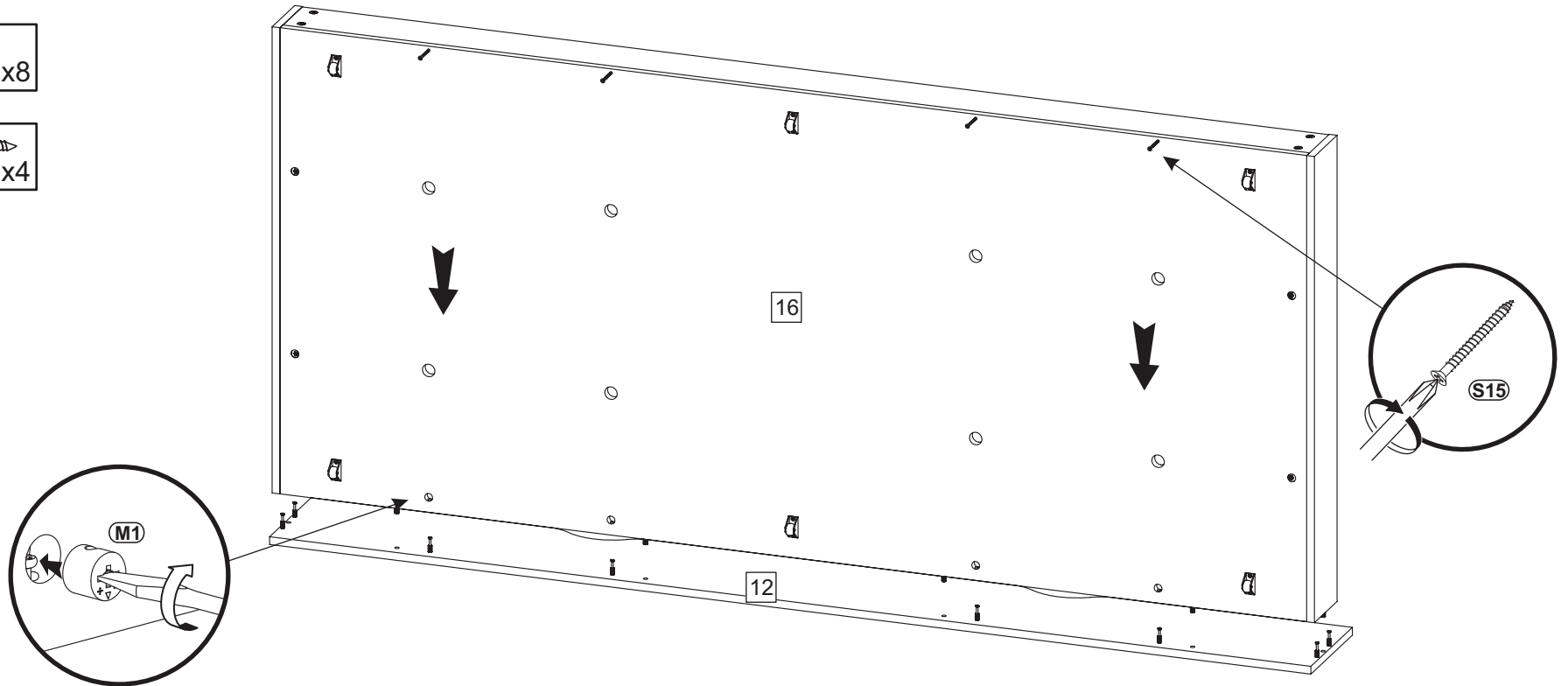
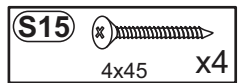
2




3

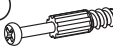


4





5


B1  $\phi 8 \times 28$ x26

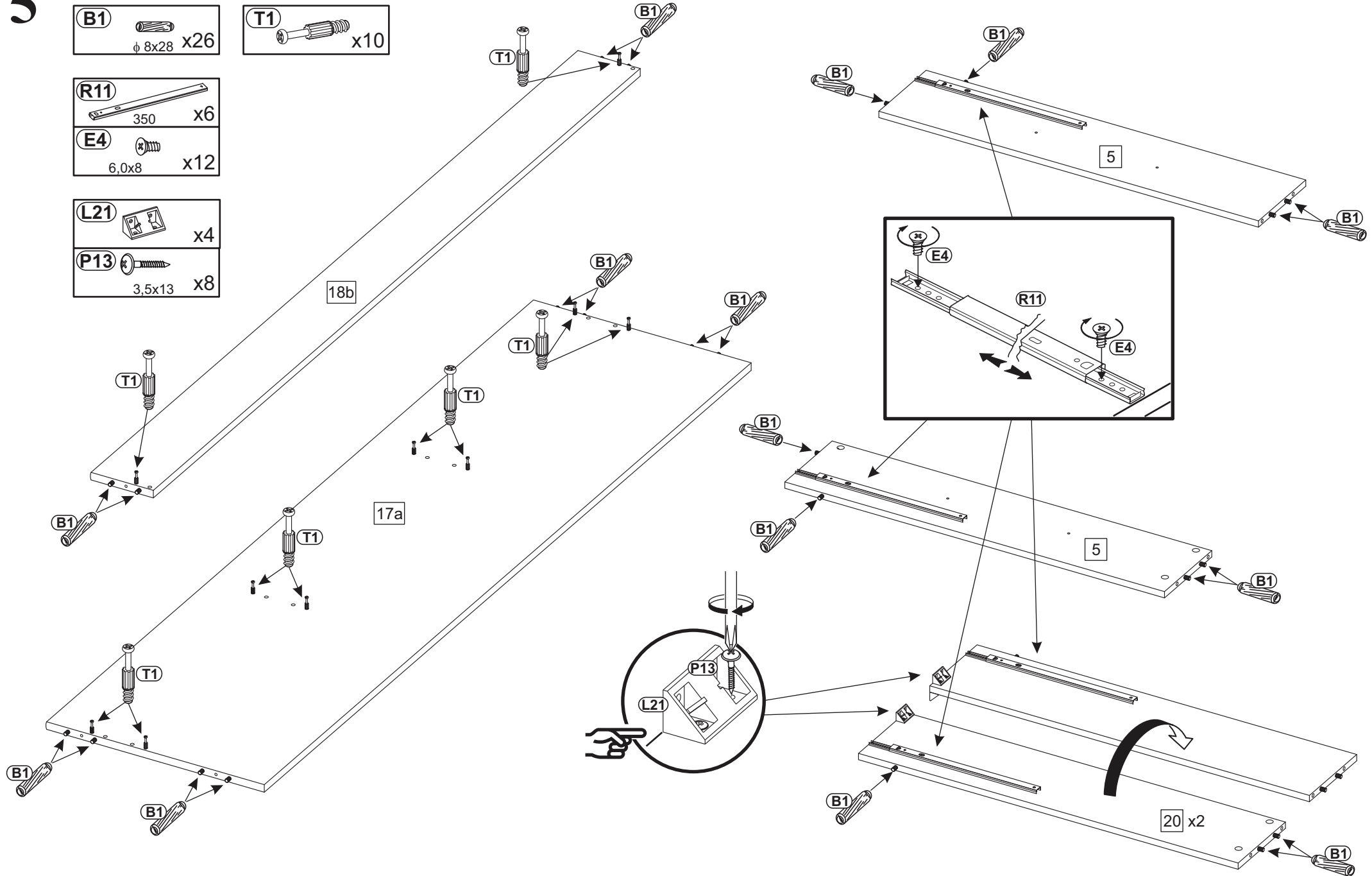
T1  x10

R11  350 x6

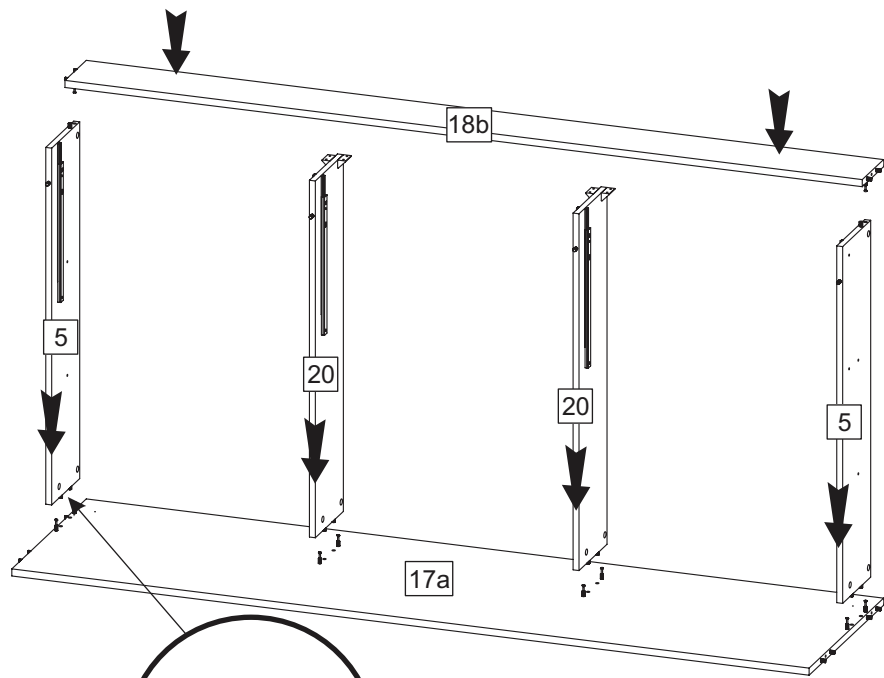
E4  6,0x8 x12

L21  x4

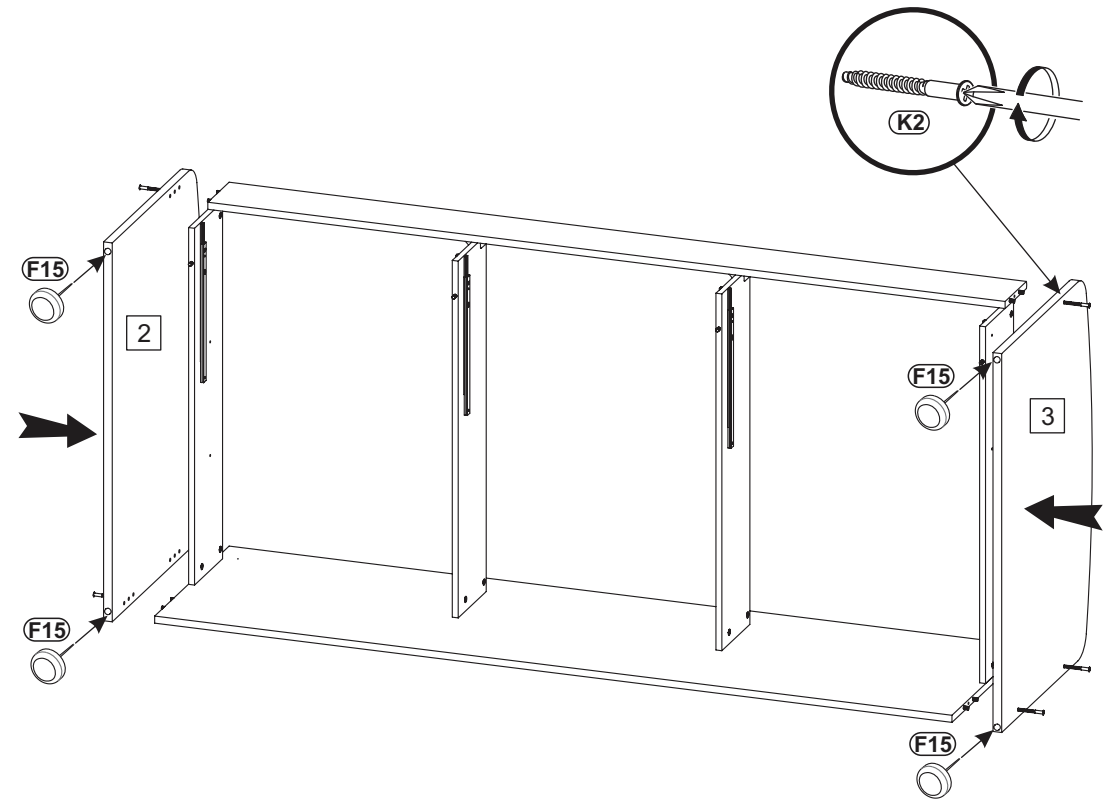
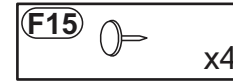
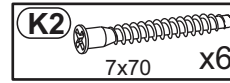
P13  3,5x13 x8



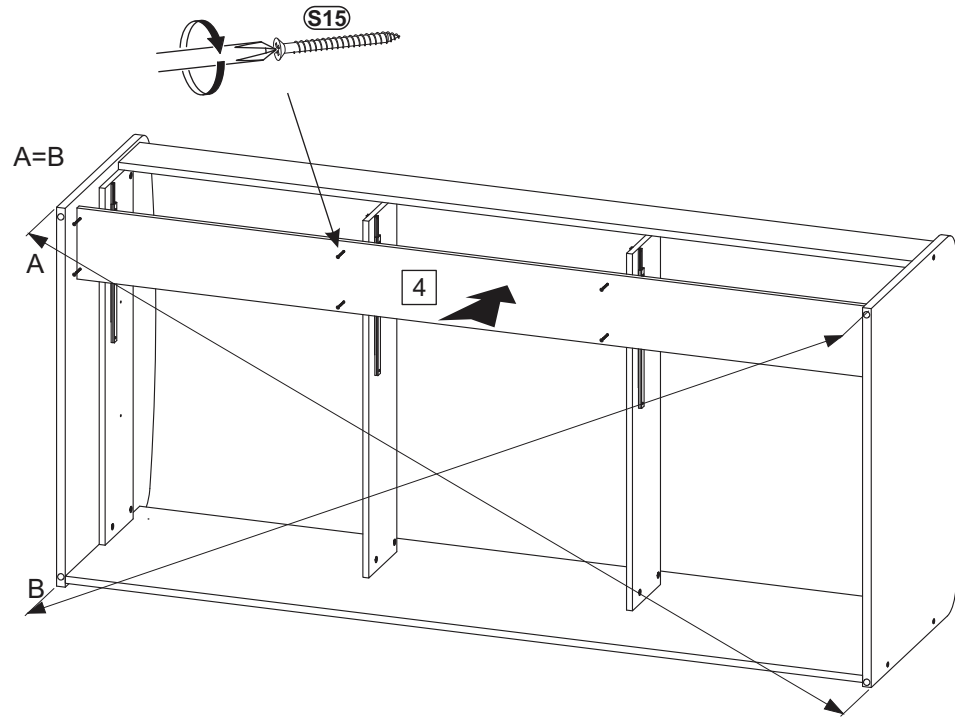
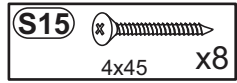
6



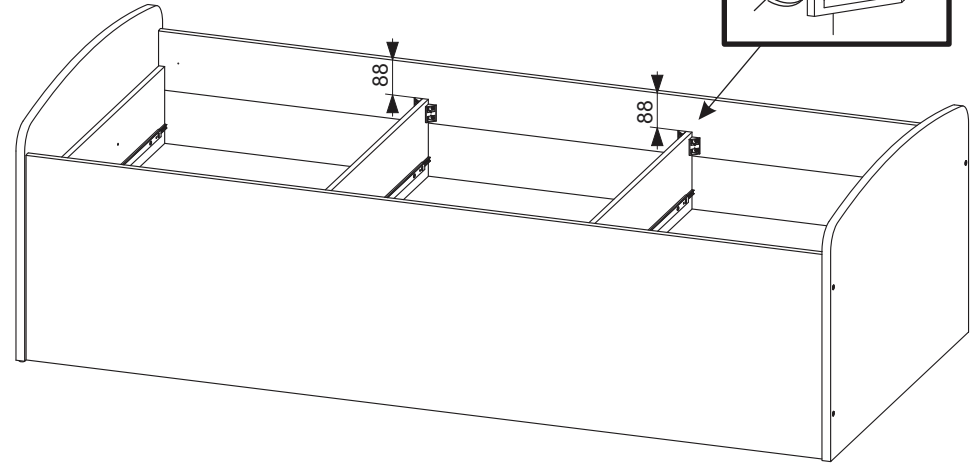
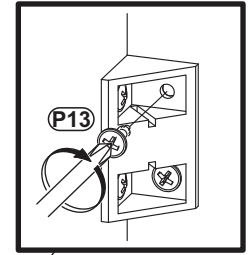
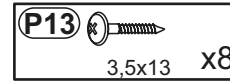
7



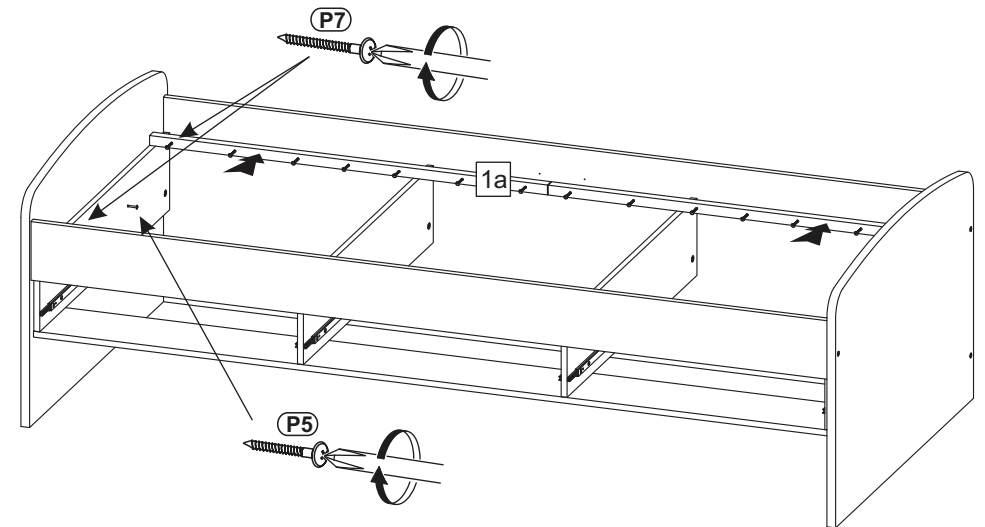
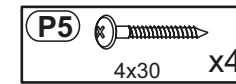
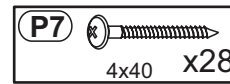
8



9



10



11

