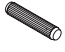






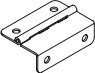





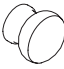

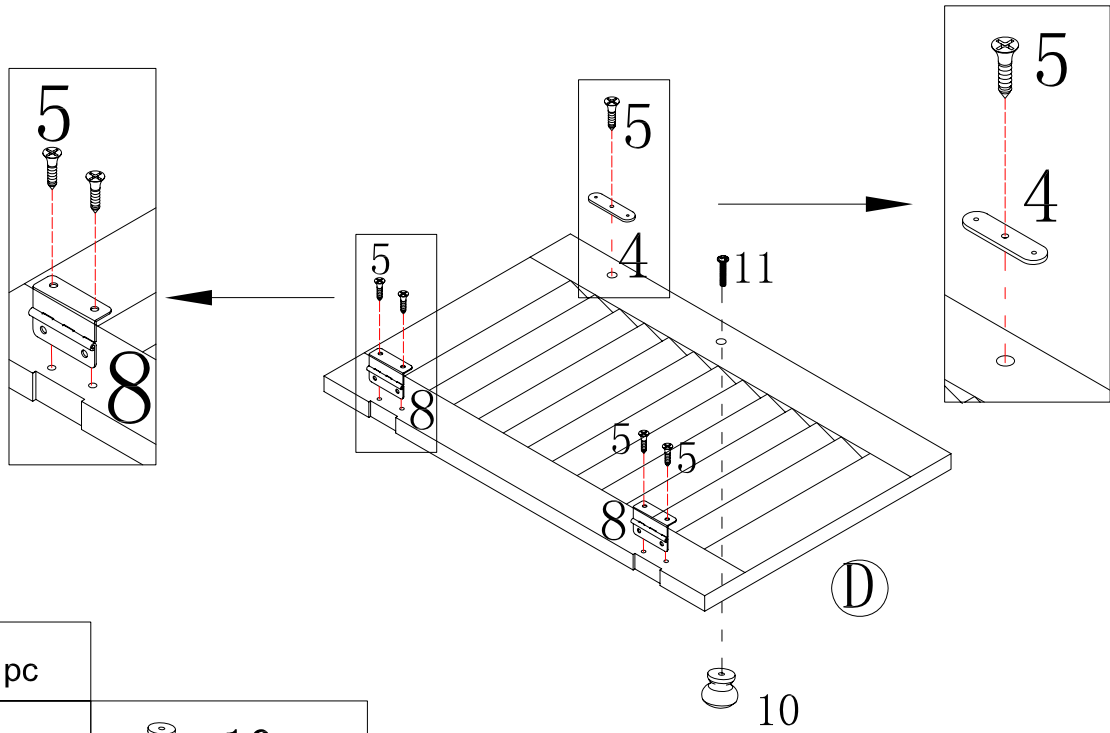



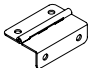



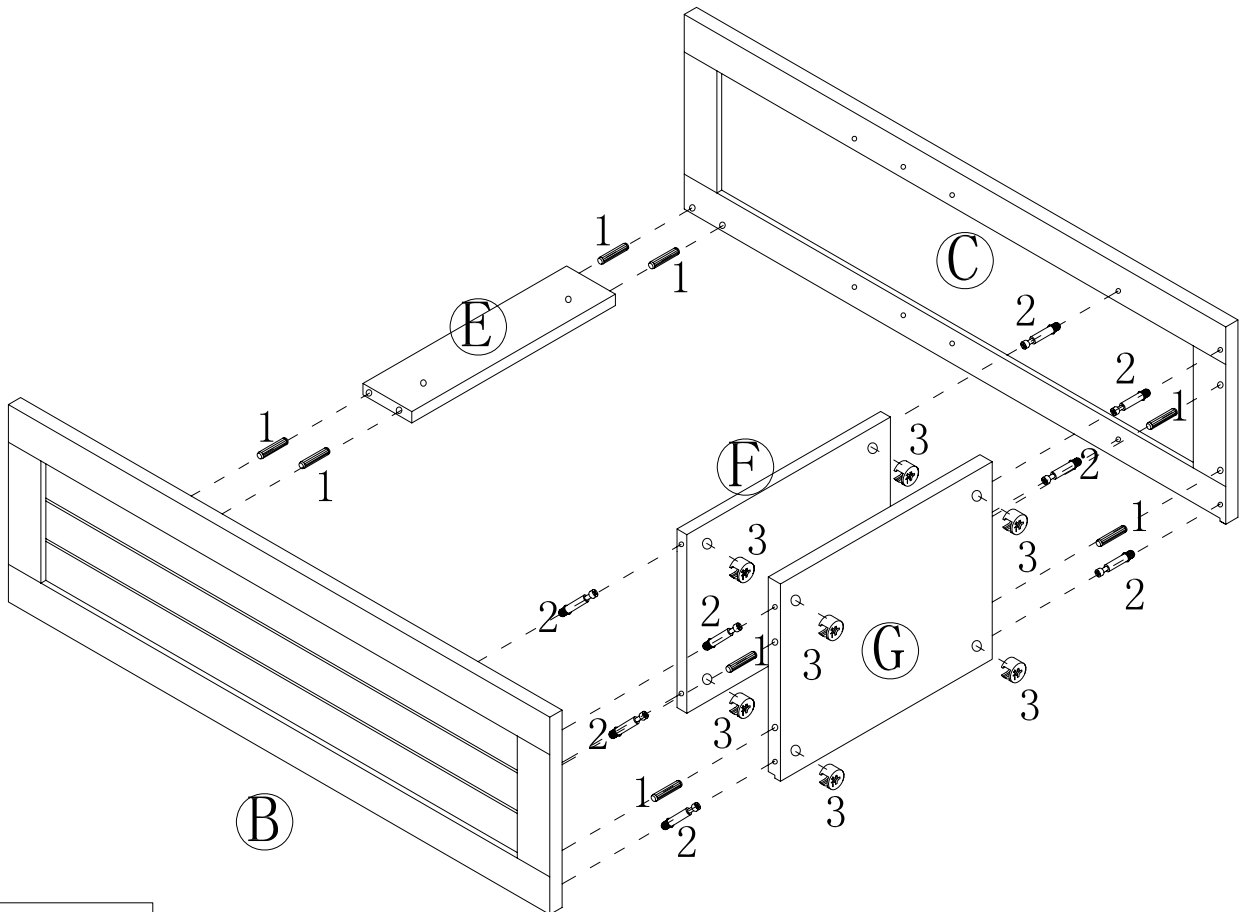
1		$\phi 6 \times 30 \text{mm}$	12pcs	6		$\phi 2.5 \times 12 \text{mm}$	2pcs	11		$\phi 4 \times 18 \text{mm}$	1pc
2		$\phi 6 \times 35 \text{mm}$	8pcs	7			1pc	12		$\phi 5 \times 15 \text{mm}$	4pcs
3		$\phi 15 \times 9.5 \text{mm}$	8pcs	8			2pcs	13		$\phi 3.5 \times 45 \text{mm}$	2pcs
4			1pc	9		$\phi 2.2 \times 10 \text{mm}$	14pcs	14			2pcs
5		$\phi 3 \times 10 \text{mm}$	9pcs	10			1pc	15		$\phi 4 \times 30 \text{mm}$	4pcs



1



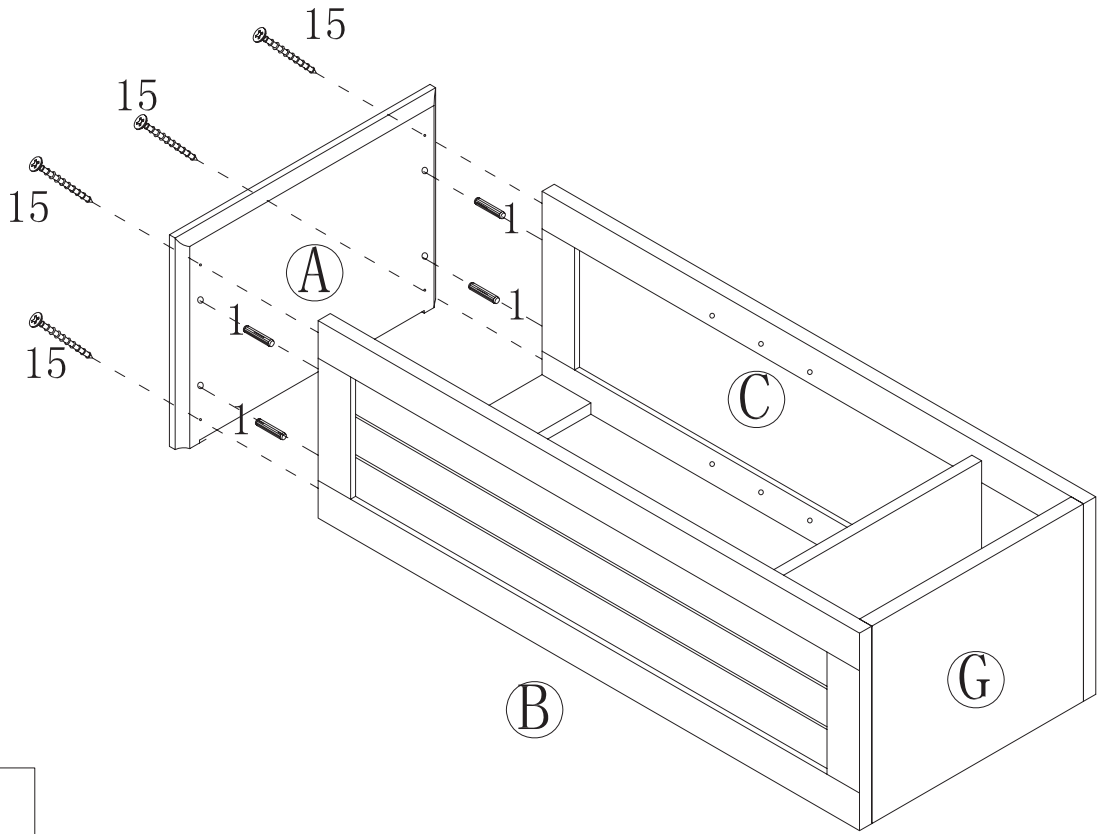
 4x1pc	
 5x5pcs	 10x1pc
 8x2pcs	 11x1pc

2



 1x8pcs	
 3x8pcs	

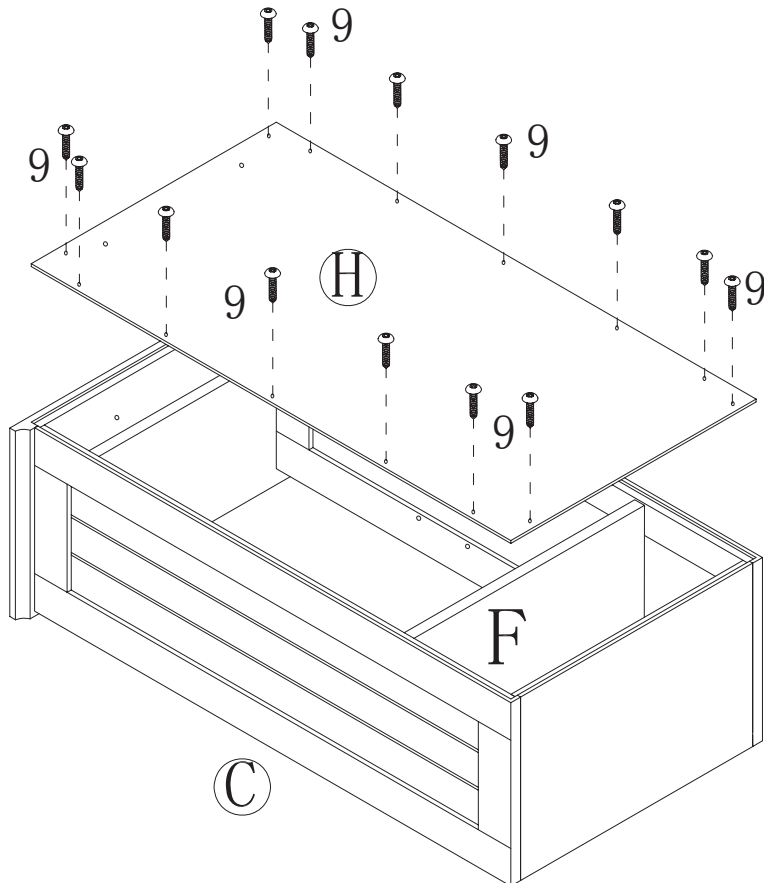
3




 1x4pcs

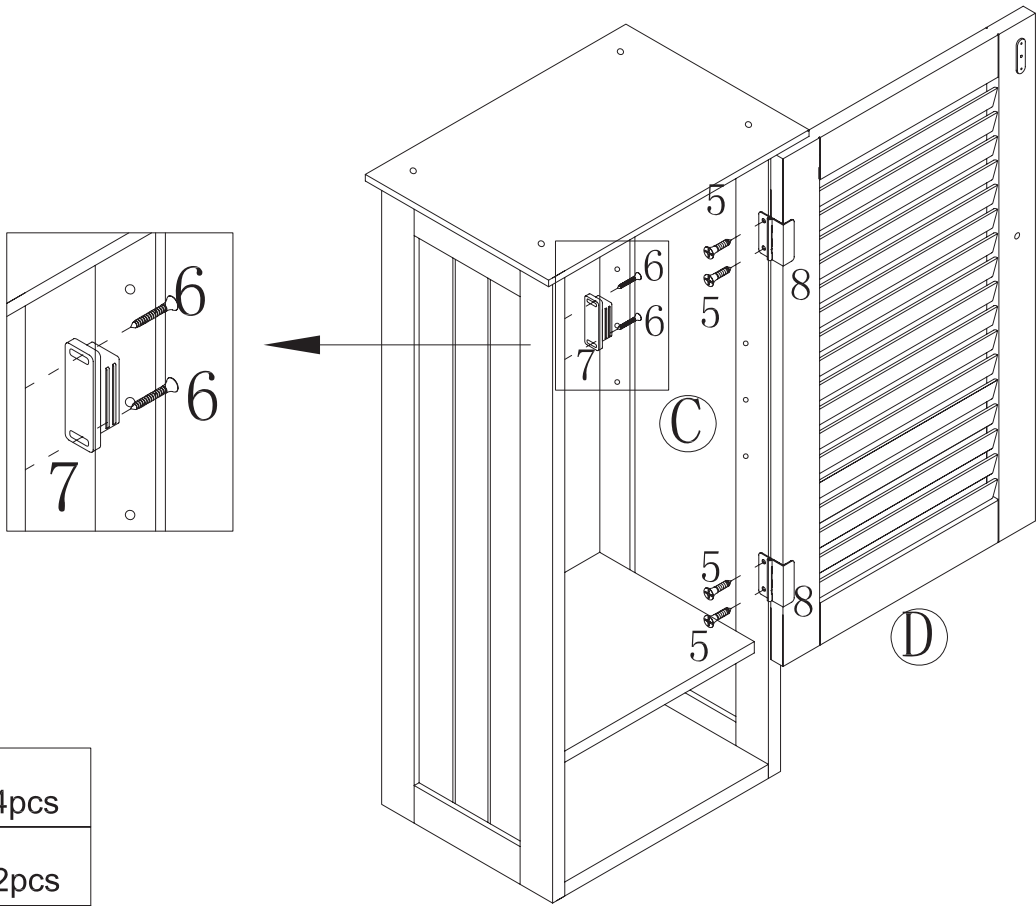
 15x4pcs




4



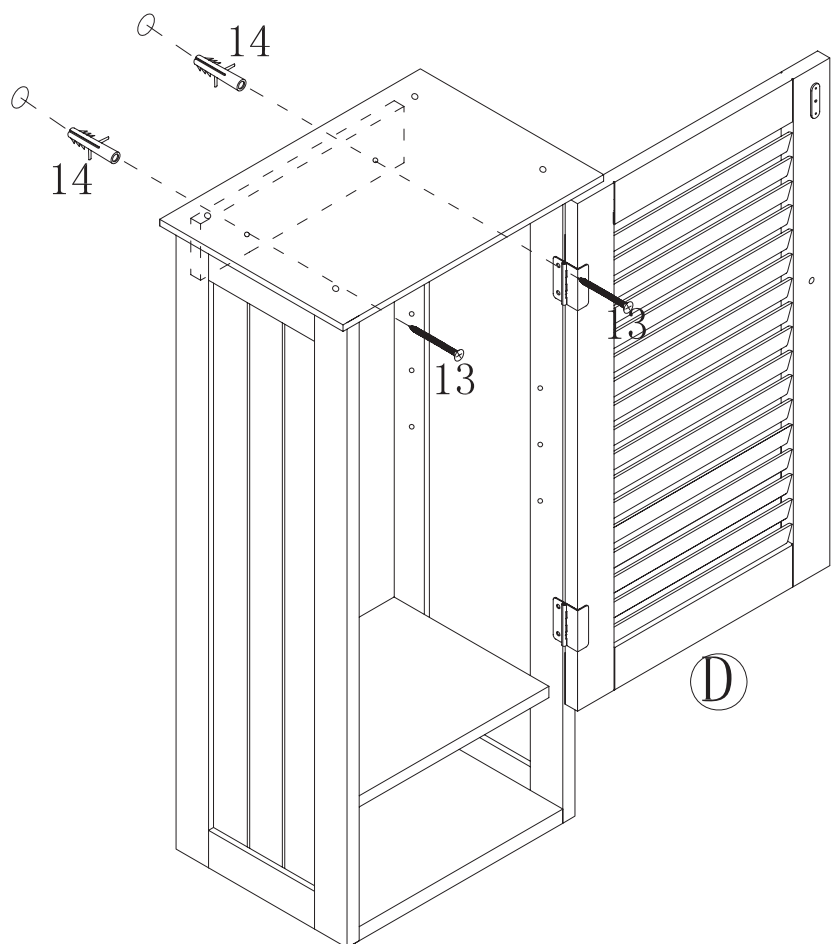
 9x14pcs



5



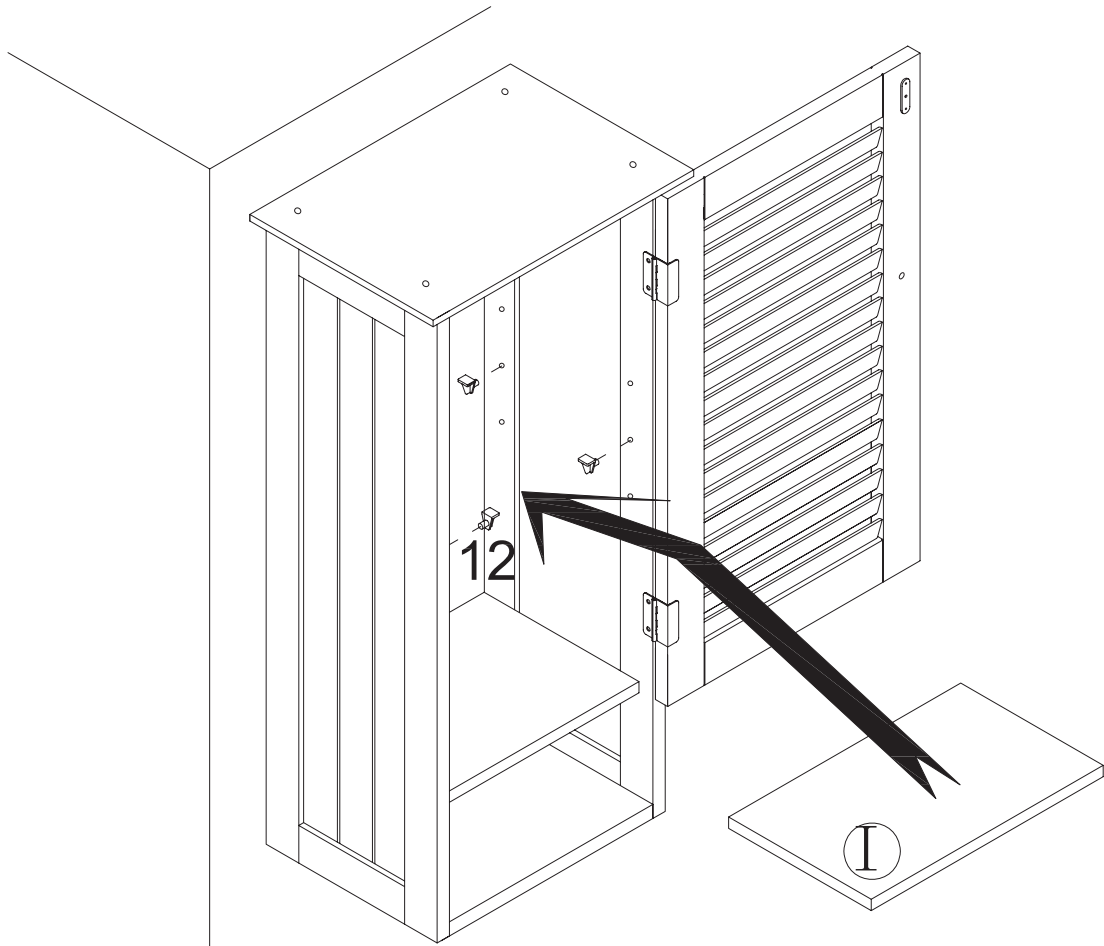
- | | |
|--|--------|
|  | 5x4pcs |
|  | 6x2pcs |
|  | 7x1pc |

6



- | | |
|--|---------|
|  | 13x2pcs |
|  | 14x2pcs |

7



12x4pcs

8

