

**Europe, Middle East**

ENGLISH

FRANÇAIS

DEUTSCH

NEDERLANDS

ITALIANO

ESPAÑOL

PORTUGUÊS

РУССКИЙ

ČESTINA

TÜRKÇE

POLSKI

SVENSKA

SUOMI

SLOVENCINA

MAGYAR NYELV

עברית

العربية

**North America/**

**Norteamérica**

ENGLISH

FRANÇAIS

ESPAÑOL

**Latin America/**

**América Latina**

ENGLISH

ESPAÑOL

PORTUGUÊS

**Asia Pacific**

日本語

简体中文

繁體中文

한국어

ENGLISH



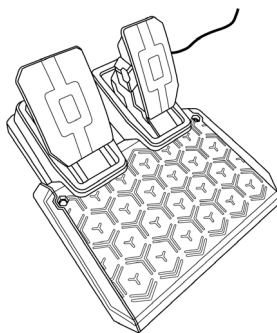
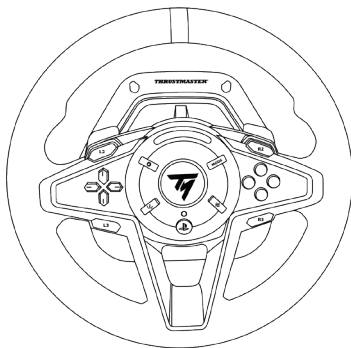
**THRUSTMASTER®**

**T128**

# T128

For PlayStation®5 consoles, PlayStation®4 consoles and PC\*

User Manual



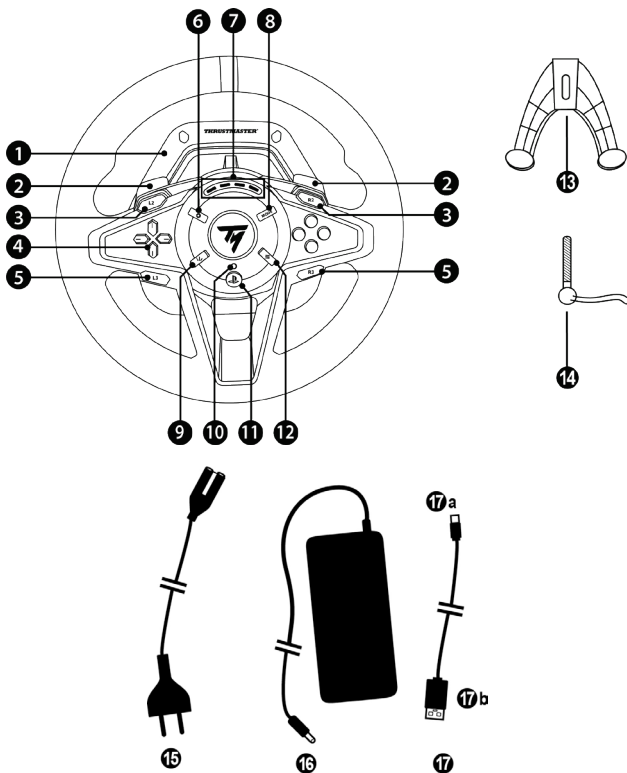
**WARNING:**

To ensure that your T128 racing wheel functions correctly with games on PlayStation®5 consoles, PlayStation®4 consoles or PC, you may be required to install the game's automatic updates

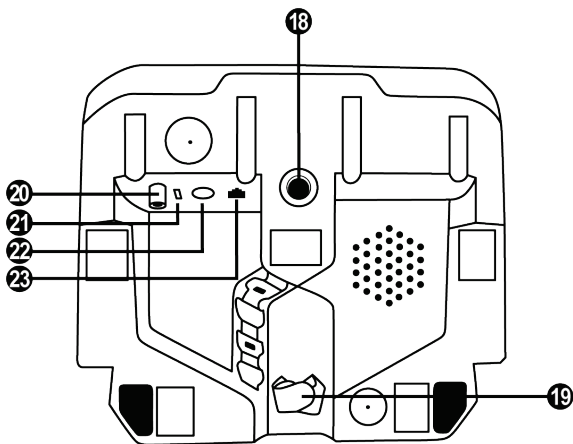
*(available when your console or PC is connected to the Internet).*

\*PC compatibility (Windows® 10/11) not tested or endorsed by Sony Interactive Entertainment.

## TECHNICAL FEATURES



- |   |   |    |   |
|---|---|----|---|
| 1 | T128 base   | 10 | Game mode LED (blue, red or green)                |
| 2 | 2 magnetic paddle shifters (- and +)                            | 11 | PS button   |
| 3 | L2 and R2 buttons   | 12 | OPTIONS button on PS4™ consoles and PS5™ consoles |
| 4 | Directional buttons   | 13 | Attachment system                                 |
| 5 | L3 and R3 buttons   | 14 | Metal fastening screw                             |
| 6 | SETTINGS button   | 15 | Power cable (EU/U.S./UK...)                       |
| 7 | 4 RPM LEDs (engine speed display)                               | 16 | Power adapter                                     |
| 8 | MODE button   | 17 | USB cable: USB-C (17a) – USB-A (17b)              |
| 9 | SHARE button on PS4™ consoles<br>CREATE button on PS5™ consoles |    |   |



**18** Large threaded hole (for attachment system and fastening screw)

**19** Hook-and-loop fastener cable holder

**20** Power adapter connector

**21** Racing wheel's USB-C connector

**22** Mini-DIN connector for Thrustmaster shifter, handbrake or hub (*sold separately*)

**23** RJ12 connector for pedal set

## WARNING

Before using this product, please read this manual carefully and save it for later reference.



### **Warning – Electrical shock**

- \* Keep the product in a dry location and do not expose it to dust or sunlight.
- \* Do not twist or pull on the connectors and cables.
- \* Do not spill any liquid on the product or its connectors.
- \* Do not short-circuit the product.
- \* Never dismantle the product; do not throw it onto a fire and do not expose it to high temperatures.
- \* Do not use a power supply cable other than the one provided with your racing wheel.
- \* Do not use the power supply cable if the cable or its connectors are damaged, split or broken.
- \* Make sure that the power supply cable is properly plugged into an electrical outlet, and properly connected to the connector at the rear of the racing wheel's base.
- \* Do not open up the racing wheel: there are no user-serviceable parts inside. Any repairs must be carried out by the manufacturer, its authorized representative or a qualified technician.
- \* Only use attachment systems/accessories specified by the manufacturer.
- \* If the racing wheel is operating abnormally (if it is emitting any abnormal sounds, heat or odors), stop using it immediately, unplug the power supply cable from the electrical outlet and disconnect the other cables.
- \* If you will not be using the racing wheel for an extended period of time, unplug its power supply cable from the electrical outlet.
- \* The electrical outlet must be located near the equipment and must be easily accessible.



Use only the power supply listed in the user instructions.

### **Information for power supply adapter**

Information published	Value	Unit
Manufacturer's name or trademark, commercial registration number and address	<b>GUILLEMOT CORPORATION S.A.</b> 414 196 758 Rennes Place du Granier BP 97143 35571 Chantepie Cedex France	
Model identifier	<b>A481-1852590D</b>	
Input voltage	<b>100 - 240</b>	V
Input AC frequency	<b>50 - 60</b>	Hz
Output voltage	<b>18.5</b>	V DC
Output current	<b>2.6</b>	A
Output power	<b>47.9</b>	W
Average active efficiency	<b>87.8</b>	%
Efficiency at low load (10%)	<b>87.8</b>	%
No-load power consumption	<b>0.10</b>	W



### Air vents

Make sure not to block any of the air vents on the racing wheel's base. For optimal ventilation, make sure to do the following:

- \* Position the wheel's base at least 10 cm away from any wall surfaces.
- \* Do not place the base in any tight spaces.
- \* Do not cover the base.
- \* Do not let any dust build up on the air vents.



**For safety reasons, never use the pedal set with bare feet or while wearing only socks on your feet.**

**THRUSTMASTER® DISCLAIMS ALL RESPONSIBILITY IN THE EVENT OF INJURY RESULTING FROM USE OF THE PEDAL SET WITHOUT SHOES.**



### Warning – Injuries due to Force Feedback and repeated movements

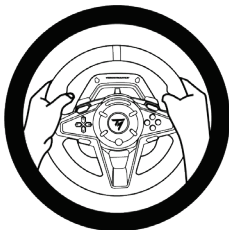
Playing with a Force Feedback racing wheel may cause muscle or joint pain. To avoid any problems:

- \* Avoid lengthy gaming periods.
- \* Take 10 to 15-minute breaks after each hour of play.
- \* If you feel any fatigue or pain in your hands, wrists, arms, feet or legs, stop playing and rest for a few hours before you start playing again.
- \* If the symptoms or pain indicated persist when you start playing again, stop playing and consult your doctor.
- \* Keep out of children's reach.
- \* During gameplay, always leave both hands correctly positioned on the wheel without completely letting go.
- \* During gameplay, never place your hands or your fingers under the pedals or anywhere near the pedal set.
- \* During calibration and gameplay, never place your hand or your arm through the openings in the racing wheel.
- \* Make sure that the racing wheel's base is properly secured, as per this manual's instructions.



Product to be handled only by users 14 years of age or older

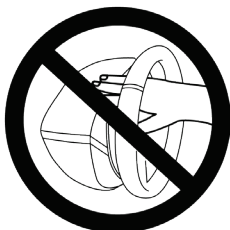
ALWAYS



NEVER



NEVER



**Warning – Pedal set pinch hazard when playing**

- \* Keep the pedal set out of children's reach.
- \* During gameplay, never place your fingers on or anywhere near the sides of the pedals.
- \* During gameplay, never place your fingers on or anywhere near the pedal's rear base.
- \* During gameplay, never place your fingers on or anywhere near the pedal's front base.

NEVER



NEVER



NEVER



**Warning – Pedal set pinch hazard when not playing**

- \* Store the pedal set in a safe place, and keep it out of children's reach.

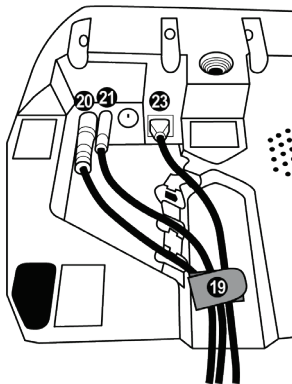
## ATTACHING THE RACING WHEEL

### Attaching the racing wheel to a table or a desktop

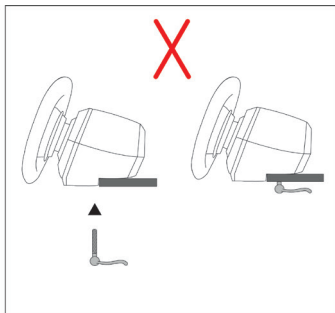
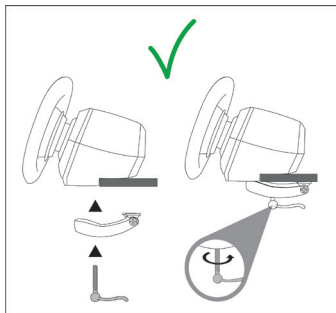
Start by connecting on the underside of the wheel:

- the power adapter (20);
- the quick release USB-C cable (17a) to the USB-C connector (21);
- the T2PM pedal set (23).

Make sure to follow the paths for the different cables, and attach the cables using the hook-and-loop fastener cable holder (19).

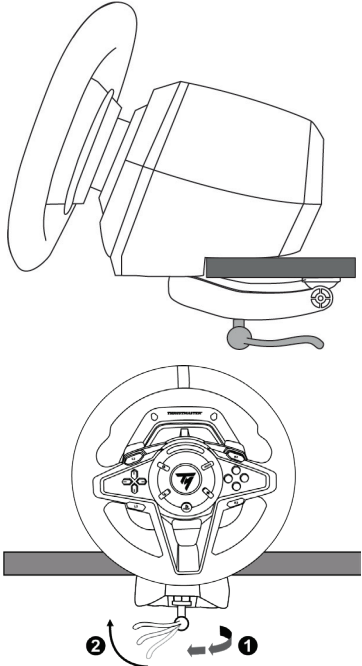
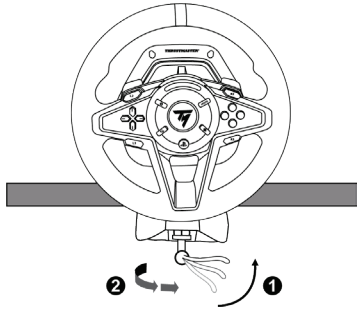


1. Place the racing wheel on a table or any other horizontal, flat and stable surface.
2. Insert the fastening screw (14) in the attachment system (13), then tighten the device by turning the screw counterclockwise, so that it feeds into the large threaded hole (18) located beneath the racing wheel, until the wheel is perfectly stable.



**WARNING:** Never tighten the screw alone without the attachment system in place!  
This could damage the racing wheel.



ATTACHMENT / REMOVAL	DIRECTION
<p><b><u>To tighten:</u></b></p> <p><i>Turn the screw counterclockwise</i></p>	
<p><b><u>To release:</u></b></p> <p><i>Turn the screw clockwise</i></p>	

## INSTALLATION

### AUTOMATIC RACING WHEEL AND PEDAL SET CALIBRATION

The wheel automatically self-calibrates when you plug the racing wheel into an electrical outlet and connect the racing wheel's USB connector to the PlayStation®5 console, the PlayStation®4 console or to the PC.

During this phase, the racing wheel will rotate quickly towards the left and the right, covering a 90-degree angle, before stopping at the center.



**WARNING:**

**Never touch the racing wheel during the self-calibration phase!**  
***(This could result in improper calibration and/or personal injuries.)***

Never connect the pedal set to the racing wheel's base (or disconnect it from the base) when it is connected to the PlayStation® console or to the PC or during gameplay (this could result in improper calibration).

Always connect the pedal set before connecting the racing wheel to the PlayStation®5 console, the PlayStation®4 console or to the PC.

Once the racing wheel's calibration is complete and the game has been started, the pedals are automatically calibrated after a few presses.



**WARNING:**

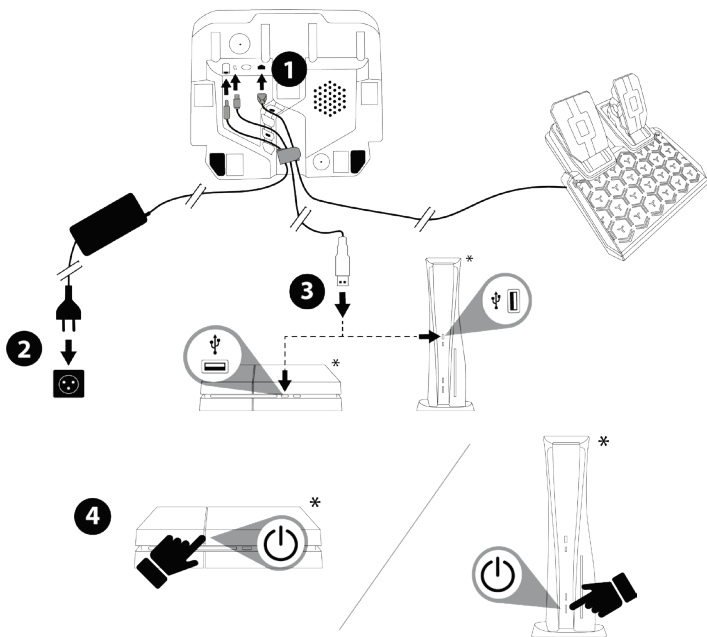
**Never press the pedals during the racing wheel's self-calibration phase or while a game is loading!**  
***(This could result in improper calibration.)***

**If your racing wheel and/or pedal set do not function correctly, or if they seem to be improperly calibrated:**

- Power off your console or PC and completely disconnect the racing wheel. Then reconnect all cables (including the power supply cable and the pedal set), and restart your console (or PC) and your game.
- Reconfigure the pedal set in **default** mode using the procedure set out further along in this user manual (page 16).

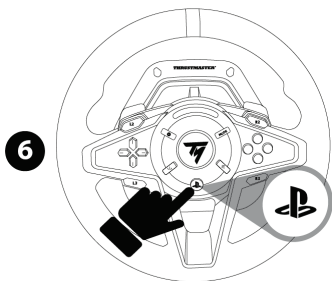
## INSTALLATION ON PLAYSTATION®4 CONSOLES OR ON PLAYSTATION®5 CONSOLES

1. Connect the T2PM pedal set to the RJ12 connector (23) of the base.
2. Plug the power cable and power adapter into an electrical outlet.
3. Connect the USB-C cable (17a) to the USB-C port (21) of the base.  
Connect the USB-A cable (17b) to a USB-A port on the PS4™ console or the PS5™ console.
4. Power on your PlayStation®4 console or your PlayStation®5 console. The racing wheel will self-calibrate automatically.



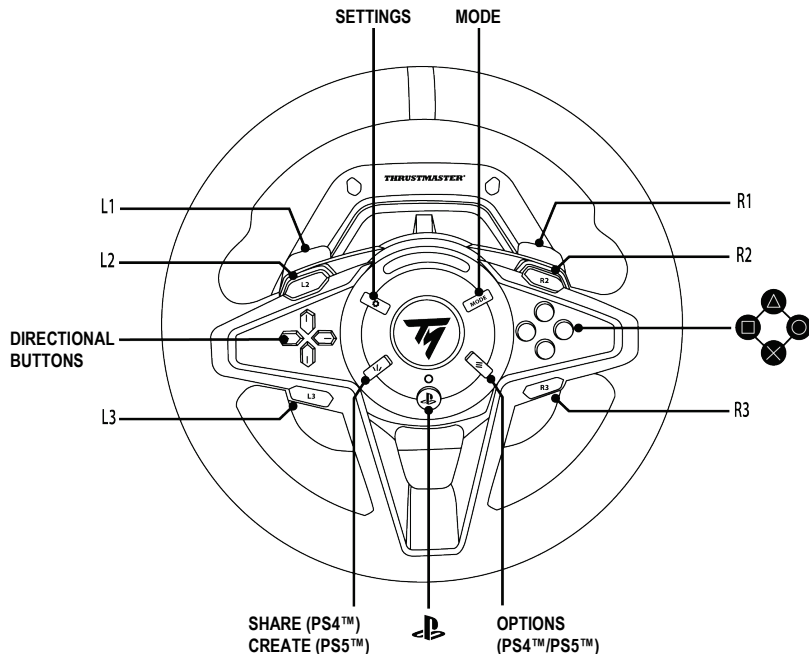
\*Not included

- If necessary, select the game MODE in which you want to play via the procedure set out further along in this user manual (on page 15).
- Press the racing wheel's PS button (11), and log in to your PlayStation™Network account in order for the racing wheel to be functional.



*You are now ready to play!*

## MAPPING FOR PLAYSTATION®4 CONSOLES OR PLAYSTATION®5 CONSOLES



### **Notes regarding PS4™ consoles or PS5™ consoles:**

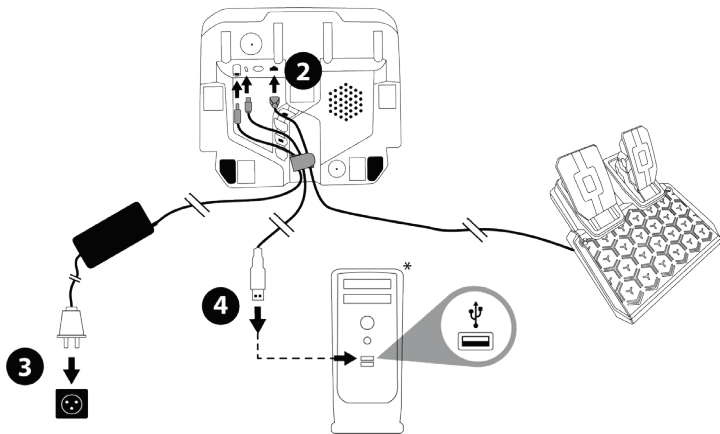
- The racing wheel is recognized in games as a Thrustmaster T-GT racing wheel or a Thrustmaster Advanced Racer racing wheel.
- The 4 engine speed display RPM LEDs (7) function in games compatible with the Thrustmaster SDK. The list of compatible games is available here: <https://support.thrustmaster.com> (in the **Racing Wheels / T128 / Games settings** section). This list is updated regularly.
- The list of games on PlayStation®4 consoles and PlayStation®5 consoles compatible with the T128 racing wheel is available here: <https://support.thrustmaster.com> (in the **Racing Wheels / T128 / Games settings** section). This list is updated regularly.

## INSTALLATION ON PC\*

\*PC compatibility (Windows® 10/11) not tested or endorsed by Sony Interactive Entertainment.

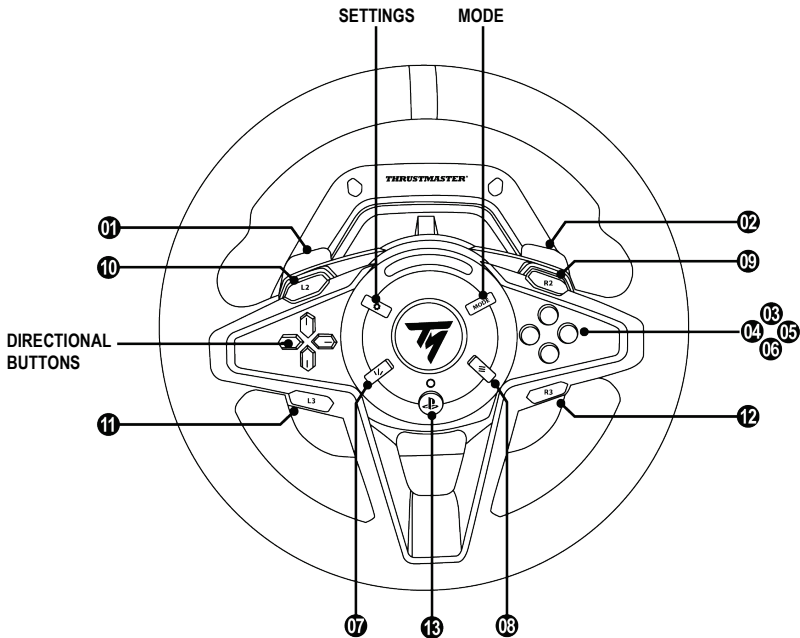
1. Visit <https://support.thrustmaster.com> to download the drivers and Force Feedback software for PC. Click **Racing Wheels / T128 / Drivers**.
2. Connect the T2PM pedal set to the RJ12 connector (**23**) of the base.
3. Plug the power cable and power adapter into an electrical outlet.
4. Connect the USB-C cable (**17a**) to the USB-C port (**21**) of the base.
5. Connect the USB-A cable (**17b**) to a USB-A port on your PC.

Your racing wheel self-calibrates automatically.



6. Select **Start / Thrustmaster / FFB Racing Wheel / Control Panel** to open the **Game Controllers** window. The **Game Controllers** window displays the racing wheel name **Thrustmaster Advanced Mode Racer**, along with **OK** status.
7. Click **Properties** to configure your racing wheel in the T128 control panel:
  - **Test Device tab**: lets you test and view the action buttons, directional buttons and axes for the racing wheel (as well as the axes for the pedal set), and adjust the racing wheel's angle of rotation in your PC games.
  - **Test Forces tab**: lets you test 12 Force Feedback effects.
  - **Adjust Forces tab**: lets you adjust the power of Force Feedback effects in your PC games.

## MAPPING FOR PC



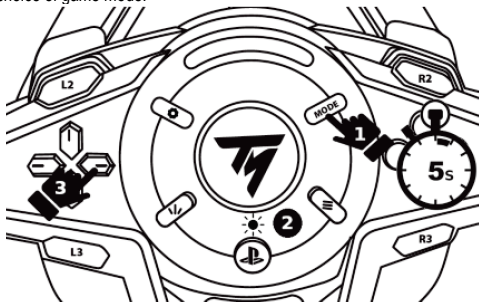
### Notes on PC:


- In the control panel and in games, the racing wheel is recognized with the name **Thrustmaster Advanced Mode Racer**.
- Always remember to completely close the **Game Controllers** window by clicking **OK** before starting your game.
- The settings and adjustments made in the **Game Controllers** window are only saved on your PC (and therefore will not have any effect on PS4™ consoles or PS5™ consoles).
- Your racing wheel's firmware version appears in the upper right-hand section of the T128 control panel tabs.
- The 4 engine speed display RPM LEDs (**7**) are functional in PC games compatible with the Thrustmaster SDK. The list of compatible games is available here: <https://support.thrustmaster.com> (in the **Racing Wheels / T128 / Games settings** section). This list is updated regularly.

## SELECTING THE GAME MODE

### Procedure :

1. Press and hold the MODE button (8) for 5 seconds, until the LED (10) located above the PS button starts flashing.
2. Without releasing the MODE button (8), simultaneously press the right-hand directional button (4) to select your choice of game mode.



LED COLOR 	GAME MODE
BLUE	PLAYSTATION® STANDARD COMPATIBILITY (default mode)
RED	PLAYSTATION® FUTURE COMPATIBILITY
GREEN	PC

Once the game mode has been selected, release the buttons: your selection is saved in the racing wheel's internal memory. The racing wheel restarts and self-calibrates.

### Notes:

- On PlayStation®4 consoles and PlayStation®5 consoles: in order for the T128 racing wheel to be functional following self-calibration, press the PS button (11) and log in to your PlayStation™Network account.
- The list of games compatible with the PlayStation®4 console and the PlayStation®5 console and the T128 (and the corresponding game MODE) is available here: <https://support.thrustmaster.com> (in the Racing Wheels / T128 / Games settings section). This list is updated regularly.



## MODE FOR PEDAL SET (Displayed each time the racing wheel restarts)

Each time the racing wheel restarts (and after its self-calibration), the 4 RPM LEDs (7) indicate the mode (position and type) in which your pedal set is configured.

### Position:

- **NORMAL:** default position;
- or **INVERTED:** in this position, the accelerator and clutch pedals are inverted — this position is only possible with a 3-pedal pedal set.

### Type:

- **T2PM-T3PA-T3PM** without Load Cell technology: **default type**;
- or **T-LCM** with Load Cell technology.

MODE FOR PEDAL SET	FLASHING OF RPM LEDs (7)
<p><b>DEFAULT MODE</b></p> <ul style="list-style-type: none"> <li>- NORMAL position</li> <li>- T2PM-T3PA-T3PM type</li> </ul>	<p><b>DEFAULT MODE</b></p>
<ul style="list-style-type: none"> <li>- NORMAL position</li> <li>- T-LCM type</li> </ul>	
<ul style="list-style-type: none"> <li>- INVERTED position</li> <li>- T2PM-T3PA-T3PM type</li> </ul>	
<ul style="list-style-type: none"> <li>- INVERTED position</li> <li>- T-LCM type</li> </ul>	

## RECONFIGURING THE PEDAL SET IN DEFAULT MODE (To be carried out if your pedal set is not functioning properly)

### Procedure:

- **QUICKLY** press the **SETTINGS** button (6) 8 times.



The 4 RPM LEDs (7) flash 5 times simultaneously to indicate the reconfiguration in default mode.



## INVERTING THE POSITION OF THE PEDALS (If you are using a 3-pedal pedal set)

The T128 racing wheel comes bundled with the 2-pedal T2PM pedal set by default. This racing wheel is also compatible with the Thrustmaster T3PA, T3PM and T-LCM 3-pedal pedal sets (sold separately).

If you are using a 3-pedal pedal set, it is possible to electronically invert the accelerator and clutch pedals.

### Procedure:

- Press and hold the **SETTINGS** button (6) for 5 seconds.



The inversion of the pedals is instantly saved in the racing wheel's internal memory, and one of the 4 RPM LEDs (7) flashes 3 times to indicate the selected position.

ACCELERATOR AND CLUTCH PEDALS	FLASHING OF RPM LEDs (7)
<b>DEFAULT MODE</b> - NORMAL position	A diagram of a 3-pedal set. The leftmost pedal is highlighted in green. Above it is a circular icon with '3x' inside, indicating that the first RPM LED flashes 3 times.
- INVERTED position	A diagram of a 3-pedal set. The middle pedal is highlighted in orange. Above it is a circular icon with '3x' inside, indicating that the second RPM LED flashes 3 times.

## MANUALLY TOGGING THE PEDAL SET FROM T2PM-T3PA-T3PM TYPE TO T-LCM TYPE (and vice versa)

By default, the pedal set's mode is **T2PM-T3PA-T3PM** type.

This mode is saved in the internal memory of the racing wheel's base and always remains enabled, except for in the event that you connect a T-LCM pedal set to the RJ12 port, or you toggle the mode manually.

### Procedure:

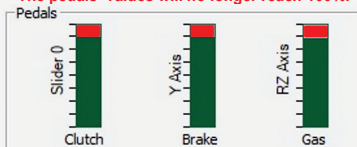
- Simultaneously press and hold the **SETTINGS** button (6) and the **left paddle shifter** (-) for **5 seconds**.



MODE	FLASHING OF RPM LEDs (7)
<b>DEFAULT MODE</b> - T2PM-T3PA-T3PM type	
- T-LCM type	



**With the T-LCM type, the T2PM, T3PA and T3PM pedal sets will not function properly.  
The pedals' values will no longer reach 100%.**



**To function properly again (and reach 100%), you must manually toggle the mode for the racing wheel's base to T2PM-T3PA-T3PM type.**

## MANUALLY CHANGING THE ANGLE OF ROTATION VIA THE RACING WHEEL

(only possible in games in which the angle of rotation is not adjusted automatically)

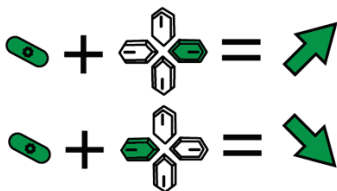
The T128 racing wheel has an angle of rotation adjustable between 270° and 900°.

In many games, the racing wheel's angle of rotation is automatic, and adjusts on its own according to the car being used. In these games, it is not possible to manually change this angle of rotation, as this function is managed by the game and not by the user.

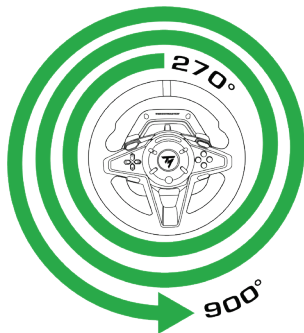
In other games, it is possible to manually change the angle of rotation directly via the racing wheel.

### Procedure:

- Simultaneously press the **SETTINGS** button (6) and the **right directional** button (4) to increase the angle of rotation by one step; or
- Simultaneously press the **SETTINGS** button (6) and the **left directional** button (4) to decrease the angle of rotation by one step.



4 possible levels	
Selected angle of rotation	RPM LEDs (7)
270°	
360°	
540°	
900°	



**Please note:** The angle of rotation modified manually via the racing wheel is not permanently saved. This procedure must be carried out each time the game or the racing wheel restarts.

## OTHER FUNCTIONALITIES RELATING TO THE SETTINGS BUTTON (6)

Please visit <https://support.thrustmaster.com>.

Click **Racing Wheels / T128**, and then **Manual** or **FAQ**.

## UPDATING THE RACING WHEEL'S FIRMWARE

Visit <https://support.thrustmaster.com>.

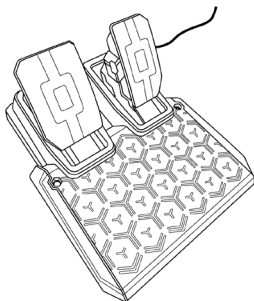
Click **Racing Wheels / T128 / Firmware**, and follow the instructions.

## VARIOUS TIPS AND FAQs

Visit <https://support.thrustmaster.com>.

Click **Racing Wheels / T128**, and then **Manual** or **FAQ**.

# T2PM PEDAL SET



## WARNING

Before using this product, please read this manual carefully and save it for later reference.



For safety reasons, never use the pedal set with bare feet or while wearing only socks on your feet.

**THRUSTMASTER® DISCLAIMS ALL RESPONSIBILITY IN THE EVENT OF INJURY RESULTING FROM USE OF THE PEDAL SET WITHOUT SHOES.**



### **Warning – Pedal set pinch hazard when playing**

- \* Keep the pedal set out of children's reach.
- \* During gameplay, never place your fingers on or anywhere near the sides of the pedals.
- \* During gameplay, never place your fingers on or anywhere near the pedal's rear base.
- \* During gameplay, never place your fingers on or anywhere near the pedal's front base.

**NEVER**



**NEVER**



**NEVER**

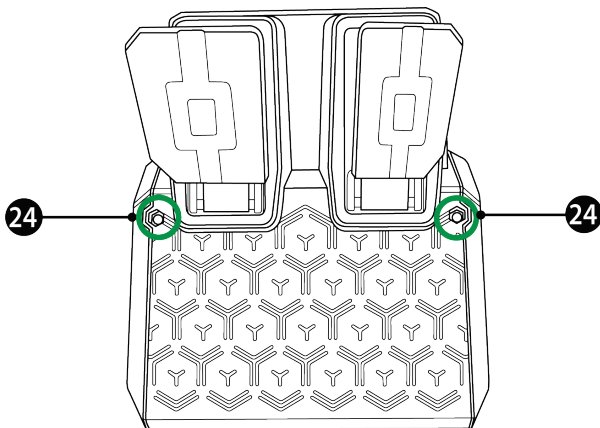


### **Warning – Pedal set pinch hazard when not playing**

- \* Store the pedal set in a safe place, and keep it out of children's reach.

## ATTACHING THE PEDAL SET TO A SUPPORT OR COCKPIT

The pedal set can be attached to a variety of different supports (sold separately) using the two perforations **(24)** located on either side of the pedal set.



**If your racing wheel and/or pedal set do not function correctly, or if they seem to be improperly calibrated:**

Power off your console or PC and completely disconnect the racing wheel. Then reconnect all cables (including the power supply cable and the pedal set), and restart your console (or PC) and your game.



## **CONSUMER WARRANTY INFORMATION**

Worldwide, Guillemot Corporation S.A., whose registered office is located at Place du Granier, B.P. 97143, 35571 Chantepie, France (hereinafter "Guillemot") warrants to the consumer that this Thrustmaster product shall be free from defects in materials and workmanship, for a warranty period which corresponds to the time limit to bring an action for conformity with respect to this product. In the countries of the European Union, this corresponds to a period of two (2) years from delivery of the Thrustmaster product. In other countries, the warranty period corresponds to the time limit to bring an action for conformity with respect to the Thrustmaster product according to applicable laws of the country in which the consumer was domiciled on the date of purchase of the Thrustmaster product (if no such action exists in the corresponding country, then the warranty period shall be one (1) year from the original date of purchase of the Thrustmaster product).

Should the product appear to be defective during the warranty period, immediately contact Technical Support, who will indicate the procedure to follow. If the defect is confirmed, the product must be returned to its place of purchase (or any other location indicated by Technical Support).

Within the context of this warranty, the consumer's defective product shall, at Technical Support's option, be either replaced or returned to working order. If, during the warranty period, the Thrustmaster product is subject to such reconditioning, any period of at least seven (7) days during which the product is out of use shall be added to the remaining warranty period (this period runs from the date of the consumer's request for intervention or from the date on which the product in question is made available for reconditioning, if the date on which the product is made available for reconditioning is subsequent to the date of the request for intervention). If permitted under applicable law, the full liability of Guillemot and its subsidiaries (including for consequential damages) is limited to the return to working order or the replacement of the Thrustmaster product. If permitted under applicable law, Guillemot disclaims all warranties of merchantability or fitness for a particular purpose.

This warranty shall not apply: (1) if the product has been modified, opened, altered, or has suffered damage as a result of inappropriate or abusive use, negligence, an accident, normal wear, or any other cause unrelated to a material or manufacturing defect (including, but not limited to, combining the Thrustmaster product with any unsuitable element, including in particular power supplies, rechargeable batteries, chargers, or any other elements not supplied by Guillemot for this product); (2) if the product has been used for any use other than home use, including for professional or commercial purposes (game rooms, training, competitions, for example); (3) in the event of failure to comply with the instructions provided by Technical Support; (4) to software, said software being subject to a specific warranty; (5) to consumables (elements to be replaced over the product's lifespan: disposable batteries, audio headset or headphone ear pads, for example); (6) to accessories (cables, cases, pouches, bags, wrist-straps, for example); (7) if the product was sold at public auction.

This warranty is nontransferable.

The consumer's legal rights with respect to laws applicable to the sale of consumer goods in his or her country are not affected by this warranty.

### **Additional warranty provisions**

During the warranty period, Guillemot shall not provide, in principle, any spare parts, as Technical Support is the only party authorized to open and/or recondition any Thrustmaster product (with the exception of any reconditioning procedures which Technical Support may request that the consumer carry out, by way of written instructions – for example, due to the simplicity and the lack of confidentiality of the reconditioning process – and by providing the consumer with the required spare part(s), where applicable).

Given its innovation cycles and in order to protect its know-how and trade secrets, Guillemot shall not provide, in principle, any reconditioning notification or spare parts for any Thrustmaster product whose warranty period has expired.

In the United States of America and in Canada, this warranty is limited to the product's internal mechanism and external housing. In no event shall Guillemot or its affiliates be held liable to any third party for any consequential or incidental damages resulting from the breach of any express or implied warranties. Some States/Provinces do not allow limitation on how long an implied warranty lasts or exclusion or limitation of liability for consequential or incidental damages, so the above limitations or exclusions may not apply to you. This warranty gives you specific legal rights, and you may also have other rights which vary from State to State or Province to Province.

## Liability

If permitted under applicable law, Guillemot Corporation S.A. (hereinafter "Guillemot") and its subsidiaries disclaim all liability for any damages caused by one or more of the following: (1) the product has been modified, opened or altered; (2) failure to comply with assembly instructions; (3) inappropriate or abusive use, negligence, an accident (an impact, for example); (4) normal wear; (5) the use of the product for any use other than home use, including for professional or commercial purposes (game rooms, training, competitions, for example). If permitted under applicable law, Guillemot and its subsidiaries disclaim all liability for any damages unrelated to a material or manufacturing defect with respect to the product (including, but not limited to, any damages caused directly or indirectly by any software, or by combining the Thrustmaster product with any unsuitable element, including in particular power supplies, rechargeable batteries, chargers, or any other elements not supplied by Guillemot for this product).

## DECLARATION OF CONFORMITY

CANADIAN COMPLIANCE NOTICE: this Class B digital apparatus meets all requirements of the Canadian Interference-Causing Equipment Regulations.

USA COMPLIANCE NOTICE: this equipment has been tested and found to comply with the limits for a Class B digital device, pursuant to Part 15 of the FCC rules. Operation is subject to the following two conditions:

- (1) This device may not cause harmful interference, and
- (2) This device must accept any interference received, including interference that may cause undesired operation.

These limits are designed to provide reasonable protection against harmful interference in a residential installation. This equipment generates, uses and can radiate radio frequency energy and, if not installed and used in accordance with the instructions, may cause harmful interference to radio communications. However, there is no guarantee that interference will not occur in a particular installation. If this equipment does cause harmful interference to radio or television reception, which can be determined by turning the equipment on and off, the user is encouraged to try to correct the interference by one or more of the following measures:

- Reorient or relocate the receiving antenna.
- Increase the separation between the equipment and receiver.
- Connect the equipment into an outlet on a circuit different from that to which the receiver is connected.
- Consult the dealer or an experienced radio/TV technician for help.

# **THRUSTMASTER®**

## **TECHNICAL SUPPORT**

<https://support.thrustmaster.com>

**UK: 020 3147 4889**

**US: (866) 889-5036**

**Canada: 866-889-2181**



## COPYRIGHT

©2022 Guillemot Corporation S.A. All rights reserved. Thrustmaster® is a registered trademark of Guillemot Corporation S.A. Manufactured and distributed by Guillemot Corporation S.A. All other trademarks and brand names are hereby acknowledged and are the property of their respective owners. Contents, design, and specifications are subject to changes without notice and may vary from one country to another. Photos and illustrations not binding. Designed in North America and Europe, made in China.

For use exclusively with PlayStation®5 consoles and PlayStation®4 consoles.

“PS”, “PlayStation”, “PS5”, “PS4” and “PlayStation Shapes Logo” are registered trademarks or trademarks of Sony Interactive Entertainment Inc. All rights reserved. All other trademarks are the property of their respective owners. Manufactured and distributed under license from Sony Interactive Entertainment LLC.



**WARNING:** this product can expose you to chemicals including Bisphenol A (BPA), which is known to the State of California to cause birth defects or other reproductive harm. For more information go to [www.P65Warnings.ca.gov](http://www.P65Warnings.ca.gov)

## ENVIRONMENTAL PROTECTION RECOMMENDATION



In the European Union, the UK and Turkey: At the end of its working life, this product should not be disposed of with standard household waste, but rather dropped off at a collection point for the disposal of Waste Electrical and Electronic Equipment (WEEE) for recycling.

This is confirmed by the symbol found on the product, user manual or packaging. Depending on their characteristics, the materials may be recycled. Through recycling and other forms of processing Waste Electrical and Electronic Equipment, you can make a significant contribution towards helping to protect the environment.

Please contact your local authorities for information on the collection point nearest you.

For all other countries: Please adhere to local recycling laws for electrical and electronic equipment.

Retain this information. Colors and decorations may vary.

Plastic fasteners and adhesives should be removed from the product before it is used.

[www.thrustmaster.com](http://www.thrustmaster.com)

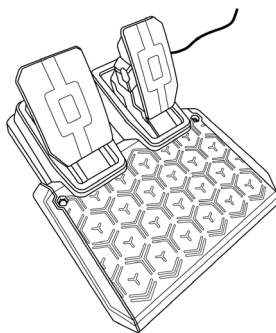
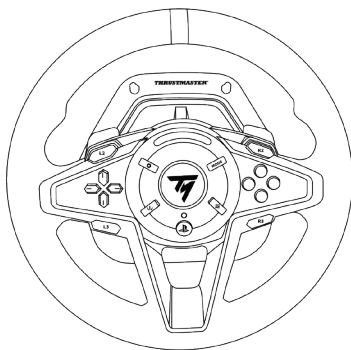
*\*Applicable to EU, UK and Turkey only*



# T128

Pour consoles PlayStation®5, consoles PlayStation®4 et PC\*

Manuel de l'utilisateur

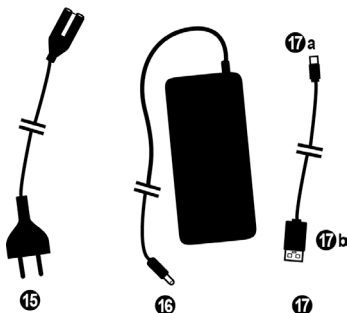
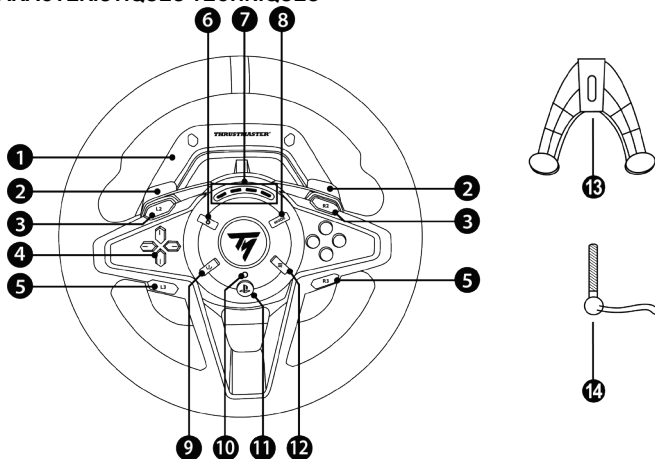


## **ATTENTION :**

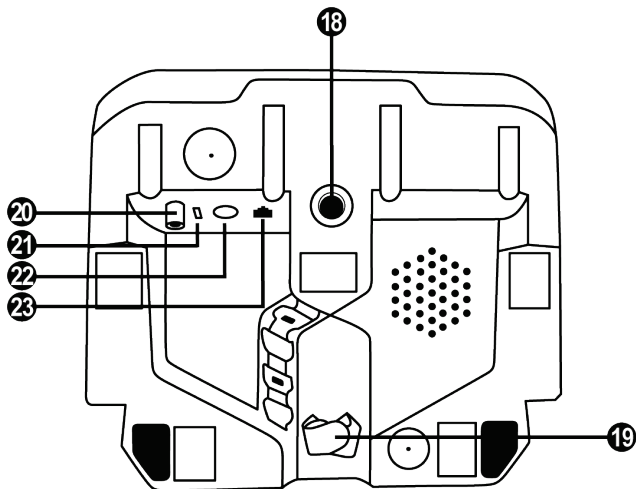
Pour que le volant T128 fonctionne correctement avec les jeux sur consoles PlayStation®5, consoles PlayStation®4 ou sur PC, il peut être nécessaire d'installer les mises à jour automatiques de ces jeux (disponibles lorsque votre console ou votre PC est connecté à Internet).

\*Compatibilité PC (Windows® 10/11) non testée ni endossée par Sony Interactive Entertainment.

## CARACTÉRISTIQUES TECHNIQUES



- |   |  |
|---|--|
| 1 Base T128   | 10 LED de mode de jeu (bleue, rouge ou verte)        |
| 2 2 palettes de vitesses magnétiques (- et +)                       | 11 Bouton PS   |
| 3 Boutons L2 et R2  | 12 Bouton OPTIONS sur consoles PS4™ et consoles PS5™ |
| 4 Boutons directionnels   | 13 Système de fixation                               |
| 5 Boutons L3 et R3  | 14 Vis de serrage métallique                         |
| 6 Bouton PARAMÈTRES   | 15 Câble d'alimentation (EU/US ou UK...)             |
| 7 4 LED RPM (affichage du régime moteur)                            | 16 Adaptateur secteur                                |
| 8 Bouton MODE   | 17 Câble USB-C (17a) – USB-A (17b)                   |
| 9 Bouton SHARE sur consoles PS4™<br>Bouton CREATE sur consoles PS5™ |  |



- |   |   |
|---|---|
| <p><b>18</b> Gros pas de vis (pour le système de fixation et la vis de serrage)</p> <p><b>19</b> Serre-câble auto-agrippant</p> <p><b>20</b> Connecteur pour l'adaptateur secteur</p> | <p><b>21</b> Connecteur USB-C du volant</p> <p><b>22</b> Connecteur mini-DIN pour la boîte de vitesses, le frein à main ou le hub Thrustmaster (<i>vendus séparément</i>)</p> <p><b>23</b> Connecteur RJ12 pour le pédalier</p> |
|---|---|

## AVERTISSEMENTS

Avant d'utiliser ce produit, lisez attentivement cette documentation et conservez-la pour pouvoir la consulter ultérieurement.



### **Avertissement – Choc électrique**

- \* Conservez le produit dans un endroit sec et ne l'exposez ni à la poussière ni au soleil.
- \* Ne tordez pas et ne tirez pas sur les connecteurs et câbles.
- \* Ne renversez pas de liquide sur le produit et ses connecteurs.
- \* Ne mettez pas le produit en court-circuit.
- \* Ne démontez jamais le produit, ne le jetez pas au feu et ne l'exposez pas à des températures élevées.
- \* N'utilisez pas de câble d'alimentation autre que celui fourni avec votre volant.
- \* N'utilisez pas le câble d'alimentation secteur si celui-ci où ses connecteurs sont endommagés, fendus ou cassés.
- \* Assurez-vous que le câble d'alimentation secteur est parfaitement inséré dans la prise murale et dans son connecteur situé à l'arrière de la base du volant.
- \* N'ouvrez pas l'appareil. L'appareil ne contient pas de pièces réparables par l'utilisateur. Confiez toute réparation au fabricant, à une agence spécifiée ou un technicien qualifié.
- \* Utilisez uniquement les systèmes de fixation /accessoires spécifiés par le fabricant.
- \* Si le volant fonctionne de manière anormale (s'il émet des sons, de la chaleur ou des odeurs anormales), arrêtez immédiatement de l'utiliser, débranchez le câble d'alimentation de la prise électrique et déconnectez les autres câbles.
- \* Lorsque vous n'utilisez pas le volant pendant une période prolongée, débranchez le câble d'alimentation secteur de la prise électrique.
- \* La prise électrique doit être située à proximité de l'équipement et doit être facilement accessible.



Utilisez uniquement le bloc d'alimentation listé dans le manuel de l'utilisateur.

### **Information relative au bloc d'alimentation**

Informations publiées	Valeur	Unité
Nom ou marque du fabricant Numéro d'entreprise Adresse	<b>GUILLEMOT CORPORATION S.A.</b> 414 196 758 Rennes Place du Granier BP 97143 35571 Chantepie Cedex France	
Identifiant du modèle	<b>A481-1852590D</b>	
Tension d'entrée	<b>100 - 240</b>	V
Fréquence AC d'entrée	<b>50 - 60</b>	Hz
Tension de sortie	<b>18,5</b>	V CC
Courant de sortie	<b>2,6</b>	A
Puissance de sortie	<b>47,9</b>	W
Efficacité active moyenne	<b>87,8</b>	%
Efficacité en charge faible (10 %)	<b>87,8</b>	%
Consommation électrique sans charge	<b>0,10</b>	W



### Grilles d'aération

Veillez à n'obstruer aucune grille d'aération de la base du volant. Pour assurer une ventilation optimale, respectez les points ci-après :

- \* Placez la base à 10 cm au moins d'une surface murale.
- \* Ne placez pas la base dans un endroit exigü.
- \* Ne couvrez pas la base.
- \* Ne laissez pas la poussière s'accumuler sur les grilles d'aération.



**Pour des raisons de sécurité, ne jouez pas pieds nus ou en chaussettes lorsque vous utilisez le pédalier.**

**THRUSTMASTER® DECLINE TOUTE RESPONSABILITE EN CAS DE BLESSURE SUITE A UNE UTILISATION DU PEDALIER SANS CHAUSSURES.**



### Avertissement – Blessures dues au retour de force et aux mouvements répétitifs

Jouer avec un volant à retour de force peut causer des douleurs aux muscles et aux articulations. Afin d'éviter tout problème :

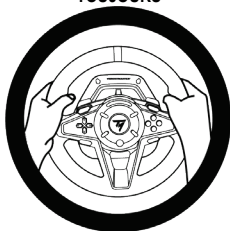
- \* Evitez les périodes trop longues de jeu.
- \* Faites une pause de 10 à 15 minutes après chaque heure de jeu.
- \* Si vous éprouvez fatigue ou douleur au niveau des mains, des poignets, des bras, des pieds ou des jambes, cessez de jouer et reposez-vous pendant quelques heures avant de recommencer à jouer.
- \* Si les symptômes ou les douleurs indiqués ci-dessus persistent lorsque vous reprenez le jeu, arrêtez de jouer et consultez votre médecin.
- \* Laissez hors de portée des enfants.
- \* Lors des phases de jeu, laissez toujours vos deux mains correctement positionnées sur le volant sans jamais le lâcher complètement.
- \* Lors des phases de jeu, ne placez jamais vos mains ou vos doigts sous les pédales ou à proximité du pédalier.
- \* Lors des phases de calibration et de jeu, ne jamais introduire une main ou un bras à l'intérieur de la roue du volant.
- \* Vérifiez que la base du volant est correctement fixée, conformément aux instructions du manuel.



Produit à manipuler uniquement par des personnes âgées de 14 ans ou plus



TOUJOURS



JAMAIS



JAMAIS



**Avertissement – Risque de pincement au niveau du pédalier lors des phases de jeu**

- \* Laissez le pédalier hors de portée des enfants.
- \* Lors des phases de jeu, ne placez jamais vos doigts sur ou à proximité des côtés des pédales.
- \* Lors des phases de jeu, ne placez jamais vos doigts sur ou à proximité de la base arrière des pédales.
- \* Lors des phases de jeu, ne placez jamais vos doigts sur ou à proximité de la base avant des pédales.

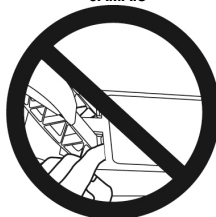
JAMAIS



JAMAIS



JAMAIS



**Avertissement – Risque de pincement au niveau du pédalier lorsque vous n'utilisez pas le pédalier**

- \* Placez le pédalier dans un endroit sûr et hors de portée des enfants.

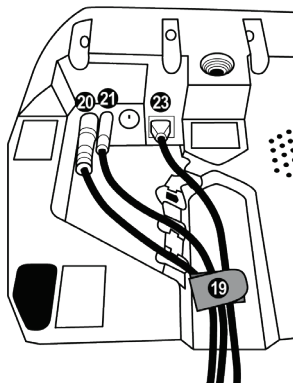
## FIXATION DU VOLANT

### Fixer le volant sur une table ou un bureau

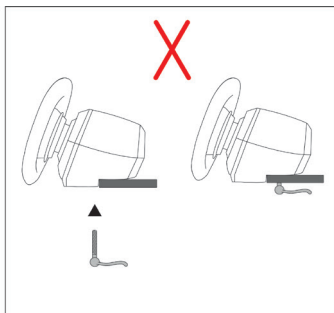
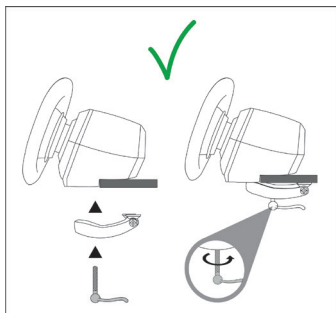
Commencez par connecter sous le volant :

- l'adaptateur secteur (20),
- le câble détachable USB-C (17a) dans le connecteur USB-C (21),
- le pédalier T2PM (23).

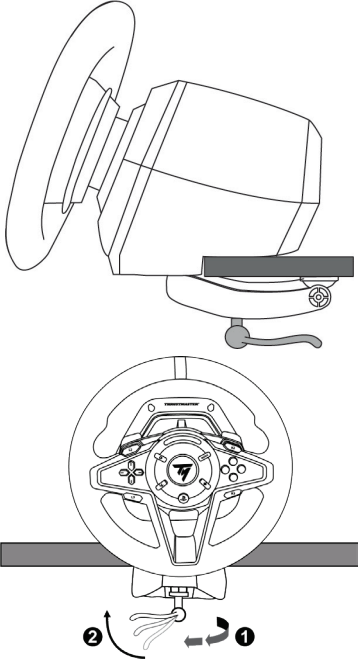
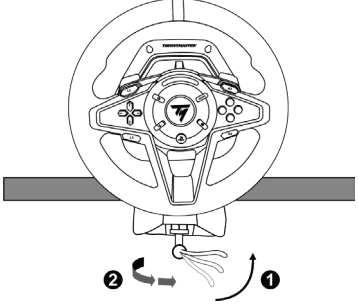
Veillez à suivre les chemins de câbles et à attacher les câbles à l'aide du serre-câble (19) prévu à cet effet.



1. Placez le volant sur une table ou autre surface plane.
2. Placez la vis de serrage (14) dans le système de fixation (13), puis vissez l'ensemble (dans le sens inverse des aiguilles d'une montre) dans le gros pas de vis (18) situé sous le volant, jusqu'à ce que ce dernier soit parfaitement stable.



**ATTENTION : Ne vissez jamais la vis de serrage seule sans le système de fixation !  
Cela risquerait de détériorer le volant.**

MONTAGE / DEMONTAGE	SENS
<p><b><u>Pour serrer :</u></b></p> <p><i>Vissez dans le sens inverse des aiguilles d'une montre</i></p>	
<p><b><u>Pour desserrer :</u></b></p> <p><i>Dévissez dans le sens des aiguilles d'une montre</i></p>	

## INSTALLATION

### CALIBRAGE AUTOMATIQUE DU VOLANT ET DES PÉDALES

La roue du volant s'autocalibre de manière automatique une fois le volant relié au secteur et le connecteur USB connecté à la console PlayStation®5, la console PlayStation®4 ou au PC.

Cette opération entraîne des mouvements rapides du volant de gauche à droite sur 900° avant de s'immobiliser au centre.



#### **ATTENTION :**

**Lors des phases d'autocalibration du volant, ne touchez jamais au volant.  
Cela risquerait de fausser la calibration ou de vous blesser.**

Lorsque la console est allumée, ne débranchez jamais le pédalier de la base ou ne le branchez jamais à la base, afin de ne pas fausser la calibration.

Le pédalier doit toujours être branché avant de relier le volant à la console PlayStation®5, la console PlayStation®4 ou au PC.

Une fois le volant autocalibré et le jeu lancé, les pédales se calibrent automatiquement après quelques pressions.



#### **ATTENTION :**

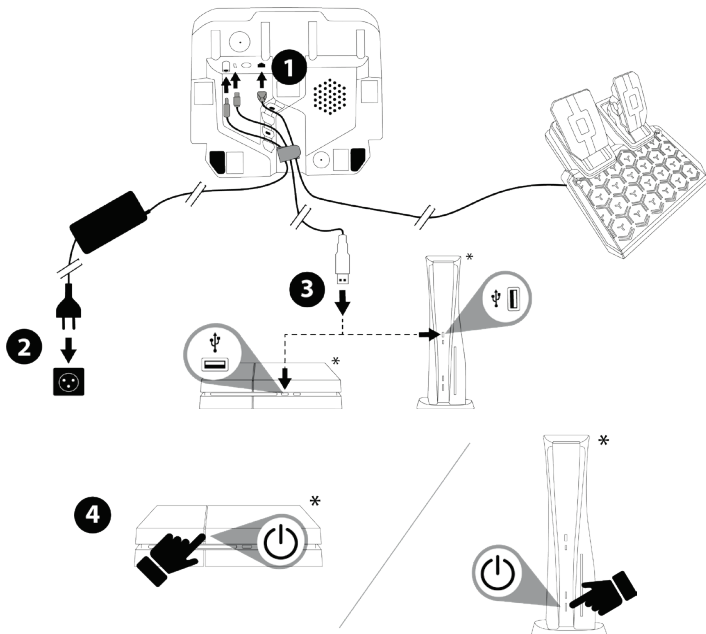
**Lors des phases d'autocalibration du volant et lorsque votre jeu se lance,  
n'appuyez jamais sur les pédales. Cela risquerait de fausser la calibration.**

**Si votre volant et vos pédales ne fonctionnent pas correctement ou semblent mal calibrés :**

- Eteignez votre console ou votre PC, déconnectez entièrement votre volant, reconnectez tous les câbles (avec le câble d'alimentation secteur et le pédalier), redémarrez votre console ou votre PC et relancez votre jeu.
- Reconfigurez le pédalier en mode **par défaut** via la procédure notifiée plus bas (p.16).

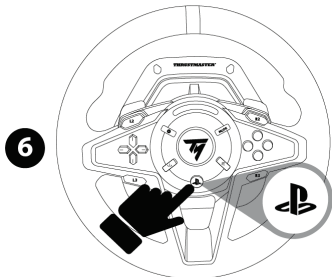
## INSTALLATION SUR CONSOLES PLAYSTATION®4 OU SUR CONSOLES PLAYSTATION®5

1. Branchez le pédalier T2PM sur le connecteur RJ12 (23) de la base.
2. Branchez l'adaptateur secteur sur une prise de courant.
3. Branchez le câble USB-C (17a) sur le port USB-C (21) de la base.  
Branchez le câble USB-A (17b) sur un port USB-A de la console PS4™ ou de la console PS5™.
4. Allumez votre console PlayStation®4 ou votre console PlayStation®5. Le volant s'autocalibre de manière automatique.



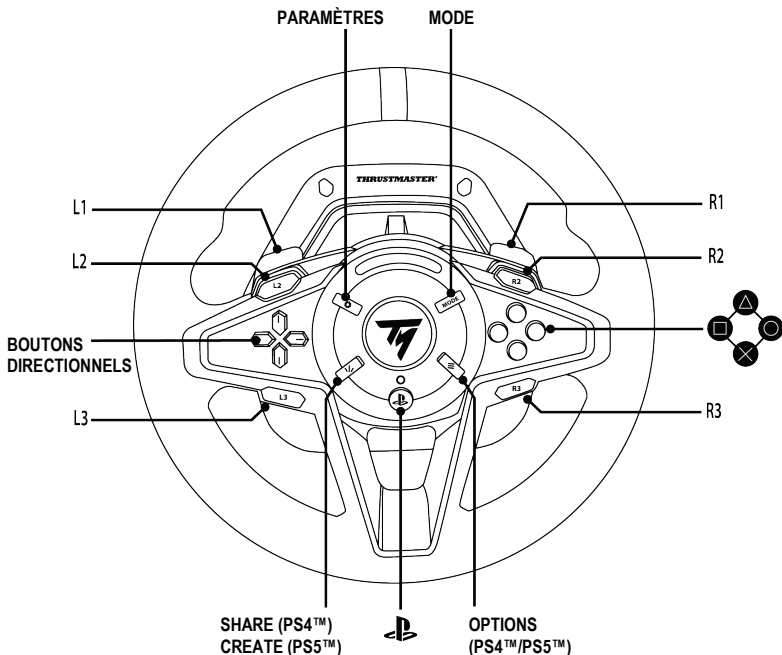
\*Non inclus

5. Si nécessaire, sélectionnez le MODE de jeu dans lequel vous souhaitez jouer via la procédure notifiée plus bas (p.15).
6. Appuyez sur le bouton PS (11) du volant, puis connectez-vous à votre compte PlayStation™Network pour que le volant soit fonctionnel.



***Vous êtes maintenant prêt à jouer !***

## MAPPING POUR CONSOLES PLAYSTATION®4 OU CONSOLES PLAYSTATION®5



### Remarques sur consoles PS4™ ou consoles PS5™ :

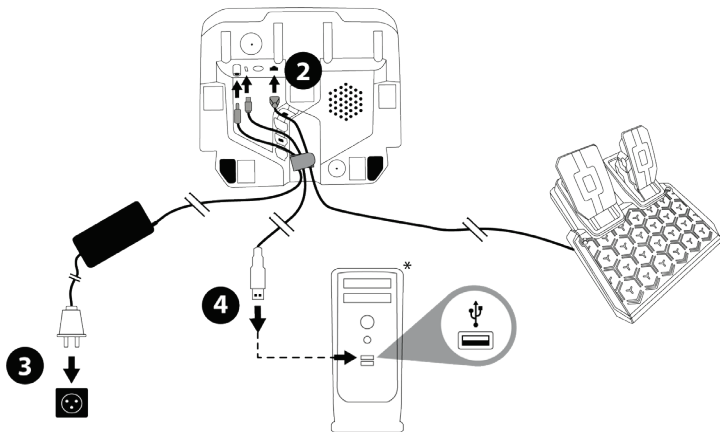
- Le volant est reconnu dans les jeux comme un volant Thrustmaster T-GT ou un volant Thrustmaster Advanced Racer.
- Les 4 LED RPM d'affichage du régime moteur (7) fonctionnent dans les jeux compatibles avec le SDK Thrustmaster. La liste des jeux compatibles est disponible ici : <https://support.thrustmaster.com> (dans la rubrique **Volants / T128 / Paramètres de jeux**). Cette liste est régulièrement mise à jour.
- La liste des jeux sur consoles PlayStation®4 et consoles PlayStation®5 compatibles avec le T128 est disponible ici : <https://support.thrustmaster.com> (dans la rubrique **Volants / T128 / Paramètres de jeux**). Cette liste est régulièrement mise à jour.

## INSTALLATION SUR PC\*

\*Compatibilité PC (Windows® 10/11) non testée ni endossée par Sony Interactive Entertainment.

1. Allez sur <https://support.thrustmaster.com> pour télécharger et installer les pilotes et le logiciel Force Feedback pour PC. Cliquez sur **Volants / T128** puis **Pilotes**.
2. Branchez le pédalier T2PM sur le connecteur RJ12 (23) de la base.
3. Branchez l'adaptateur secteur sur une prise de courant.
4. Branchez le câble USB-C (17a) sur le port USB-C (21) de la base.
5. Branchez le câble USB-A (17b) sur un port USB-A de votre PC.

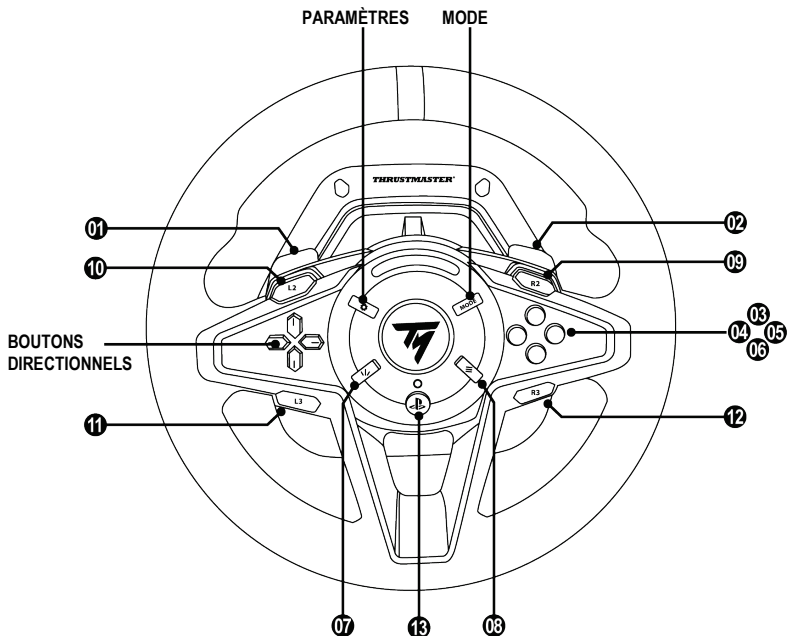
Votre volant s'autocalibre de manière automatique.



6. Sélectionnez **Démarrer / Thrustmaster / FFB Racing Wheel / Panneau de configuration** pour ouvrir la fenêtre **Contrôleurs de jeu**. La fenêtre **Contrôleurs de jeu** affiche le nom du volant **Thrustmaster Advanced Mode Racer** avec l'état OK.
7. Cliquez sur **Propriétés** pour configurer votre volant dans le panneau de configuration du T128 :
  - **Onglet Test du périphérique** : permet de tester et visualiser les boutons d'action, les boutons directionnels, les axes du volant et du pédalier, et d'ajuster l'angle de rotation du volant dans vos jeux PC.
  - **Onglet Tester les forces** : permet de tester 12 effets de retour de force.
  - **Onglet Ajuster les forces** : permet d'ajuster la puissance des effets de retour de force dans vos jeux PC.



## MAPPING POUR PC



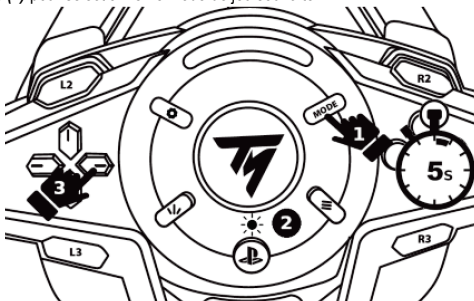
### Remarques sur PC :


- Dans le Panneau de configuration et dans les jeux, le volant est connu sous le nom **Thrustmaster Advanced Mode Racer**.
- Pensez à toujours fermer complètement la fenêtre **Contrôleurs de jeu** en cliquant sur **OK** avant de lancer votre jeu.
- Les réglages et ajustements effectués dans la fenêtre **Contrôleurs de jeu** ne seront sauvegardés que sur votre PC (et n'auront donc aucune incidence sur consoles PS4™ ou consoles PS5™).
- La version du firmware de votre volant apparaît en haut à droite, dans les onglets du panneau de configuration T128.
- Les 4 LED RPM d'affichage du régime moteur (**7**) fonctionnent dans les jeux PC compatibles avec le SDK Thrustmaster. La liste des jeux compatibles est disponible ici : <https://support.thrustmaster.com> (dans la rubrique **Volants / T128 / Paramètres de jeux**). Cette liste est régulièrement mise à jour.

## SELECTION DU MODE DE JEU

### Procédure :

1. Appuyez sur le bouton MODE (8) pendant 5 secondes jusqu'à ce que la LED (10) située au-dessus du bouton PS clignote en permanence.
2. Sans relâcher le bouton MODE (8), appuyez simultanément sur la touche droite des boutons directionnels (4) pour sélectionner le mode de jeu souhaité.



COULEUR DE LA LED 	MODE DE JEU
BLEUE	PLAYSTATION® COMPATIBILITE STANDARD (mode par défaut)
ROUGE	PLAYSTATION® COMPATIBILITE FUTURE
VERTE	PC

Une fois le mode de jeu sélectionné, relâchez les boutons. Votre sélection est sauvegardée dans la mémoire interne du volant qui redémarre et effectue une autocalibration.

### Remarques :

- Sur consoles PlayStation®4 et consoles PlayStation®5 : pour que le volant T128 soit fonctionnel après l'autocalibration, appuyez sur le bouton PS (11) et connectez-vous à votre compte PlayStation™Network.
- La liste des jeux compatibles avec la console PlayStation®4 et la console PlayStation®5 et le T128 (et le MODE de jeu correspondant) est disponible ici : <https://support.thrustmaster.com> (dans la rubrique **Volants / T128 / Paramètres de jeux**). Cette liste est régulièrement mise à jour.

## MODE DU PEDALIER (Affiché à chaque redémarrage du volant)

A chaque redémarrage du volant – et après son autocalibration, les 4 LED RPM (7) indiquent le mode (position et type) dans lequel est paramétré votre pédalier.

### Position :

- **NORMALE** : position par défaut ;
- ou **INVERSÉE** : dans cette position, les pédales d'accélérateur et d'embrayage sont inversées – cette position n'est possible qu'avec un pédalier 3 pédales.

### Type :

- **T2PM-T3PA-T3PM** sans technologie Load Cell : **type par défaut** ;
- ou **T-LCM** avec technologie Load Cell.

MODE DU PEDALIER	CLIGNOTEMENT DES LED RPM (7)
<p><b>MODE PAR DEFAUT</b></p> <ul style="list-style-type: none"> <li>- Position NORMALE</li> <li>- Type T2PM-T3PA-T3PM</li> </ul>	<p><b>MODE PAR DEFAUT</b></p>
<ul style="list-style-type: none"> <li>- Position NORMALE</li> <li>- Type T-LCM</li> </ul>	
<ul style="list-style-type: none"> <li>- Position INVERSÉE</li> <li>- Type T2PM-T3PA-T3PM</li> </ul>	
<ul style="list-style-type: none"> <li>- Position INVERSÉE</li> <li>- Type T-LCM</li> </ul>	

## RECONFIGURER LE PEDALIER EN MODE PAR DEFAUT (À effectuer si votre pédalier ne fonctionne pas correctement)

### Procédure :

- Appuyez 8 fois RAPIDEMENT sur le bouton PARAMÈTRES (6).



Les 4 LED RPM (7) clignotent 5 fois simultanément pour indiquer la reconfiguration en mode par défaut.



## INVERSER LA POSITION DES PÉDALES (En cas d'utilisation d'un pédalier 3 pédales)

Le volant T128 est livré par défaut avec le pédalier 2 pédales T2PM. Ce volant est également compatible avec les pédaliers 3 pédales Thrustmaster T3PA, T3PM et T-LCM (vendus séparément).

Si vous utilisez un pédalier 3 pédales, il est possible d'inverser électroniquement la pédale d'accélérateur et d'embrayage.

### Procédure :

- Appuyez sur le bouton **PARAMÈTRES (6)** pendant **5 secondes**.



L'inversion des pédales est instantanément enregistrée dans la mémoire interne du volant et l'une des 4 LED RPM (7) clignote 3 fois pour indiquer la position choisie.

PÉDALE D'ACCELERATEUR ET D'EMBRAYAGE	CLIGNOTEMENT DES LED RPM (7)
<b>MODE PAR DEFAUT</b> - Position NORMALE	A diagram of a 3-pedal pedal set. The leftmost pedal is highlighted in green. Above it is a circular icon with '3x' inside, indicating a 3-blink sequence.
- Position INVERSÉE	A diagram of a 3-pedal pedal set. The middle pedal is highlighted in orange. Above it is a circular icon with '3x' inside, indicating a 3-blink sequence.

# BASCULER MANUELLEMENT LE PEDALIER DU TYPE T2PM-T3PA-T3PM AU TYPE T-LCM (et inversement)

Par défaut, le mode du pédalier est de type **T2PM-T3PA-T3PM**.

Ce mode est enregistré dans la mémoire interne de la base du volant et reste toujours actif, sauf si vous branchez un pédalier T-LCM sur le port RJ12, ou si vous effectuez un basculement manuel.

## Procédure :

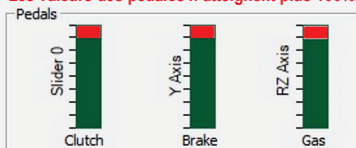
- Appuyez simultanément sur le bouton **PARAMÈTRES (6)** et sur la **palette de vitesses gauche (-)** pendant **5 secondes**.



MODE	CLIGNOTEMENT DES LED RPM (7)
<b>MODE PAR DEFAULT</b> - Type T2PM-T3PA-T3PM	
- Type T-LCM	



**En type T-LCM, les pédales T2PM, T3PA et T3PM ne fonctionnent pas correctement.  
Les valeurs des pédales n'atteignent plus 100%.**



**Pour fonctionner de nouveau correctement – et atteindre les 100% –, il est impératif de basculer manuellement le mode de la base en type T2PM-T3PA-T3PM.**

## CHANGER MANUELLEMENT L'ANGLE DE ROTATION VIA LE VOLANT (Uniquement possible dans les jeux dans lesquels l'angle ne s'ajuste pas automatiquement)

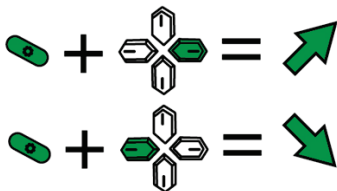
Le volant T128 possède un angle de rotation ajustable de 270° à 900°.

Dans de nombreux jeux, l'angle de rotation du volant est automatique et s'ajuste de lui-même en fonction de la voiture utilisée. Dans ces jeux, il n'est pas possible de changer manuellement cet angle, car cette fonction est gérée par le jeu et non l'utilisateur.

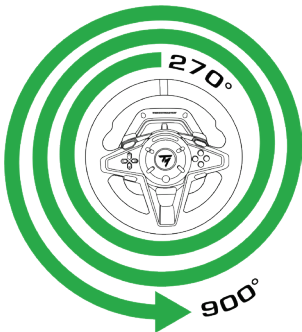
Dans les autres jeux, il est possible de changer manuellement l'angle de rotation directement via le volant.

### Procédure :

- Appuyez simultanément sur le bouton **PARAMÈTRES** (6) et sur le **bouton directionnel droit** (4) pour **augmenter** d'un niveau l'angle de rotation.
- Ou appuyez simultanément sur le bouton **PARAMÈTRES** (6) et sur le **bouton directionnel gauche** (4) pour **diminuer** d'un niveau l'angle de rotation.



4 niveaux possibles	
Angle de rotation choisi	LED RPM (7)
270°	
360°	
540°	
900°	



**Remarque :** L'angle de rotation modifié manuellement via le volant n'est pas sauvegardé définitivement. Cette opération doit être effectuée à chaque redémarrage du jeu ou du volant.

## AUTRES FONCTIONNALITES CONCERNANT LE BOUTON PARAMÉTRÉS (6)

Allez sur <https://support.thrustmaster.com>.

Cliquez sur **Volants / T128**, puis **Manuel utilisateur** ou **FAQ**.

## METTRE A JOUR LE FIRMWARE DU VOLANT

Allez sur <https://support.thrustmaster.com>.

Cliquez sur **Volants / T128 / Firmware**, puis suivez les instructions.

## AIDES & FAQ DIVERSES

Allez sur <https://support.thrustmaster.com>.

Cliquez sur **Volants / T128**, puis **Manuel utilisateur** ou **FAQ**.

EN

FR

DE

NL

IT

ES

PT

RU

CS

TR

PL

日本語

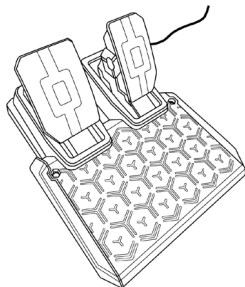
繁體中文

한국어

العربية



# Pédalier T2PM



## AVERTISSEMENT

Avant d'utiliser ce produit, lisez attentivement cette documentation et conservez-la pour pouvoir la consulter ultérieurement.



Pour des raisons de sécurité, ne jouez pas pieds nus ou en chaussettes lorsque vous utilisez le pédalier.

**THRUSTMASTER® DECLINE TOUTE RESPONSABILITE EN CAS DE BLESSURE SUITE A UNE UTILISATION DU PEDALIER SANS CHAUSSURES.**



### **Avertissement – Risque de pincement au niveau du pédalier lors des phases de jeu**

- \* Laissez le pédalier hors de portée des enfants.
- \* Lors des phases de jeu, ne placez jamais vos doigts sur ou à proximité des côtés des pédales.
- \* Lors des phases de jeu, ne placez jamais vos doigts sur ou à proximité de la base arrière des pédales.
- \* Lors des phases de jeu, ne placez jamais vos doigts sur ou à proximité de la base avant des pédales.

**JAMAIS**



**JAMAIS**



**JAMAIS**

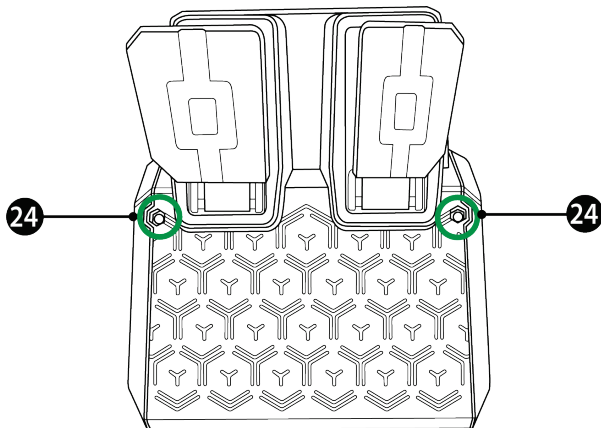


### **Avertissement – Risque de pincement au niveau du pédalier lorsque vous n'utilisez pas le pédalier**

- \* Placez le pédalier dans un endroit sûr et hors de portée des enfants.

## FIXATION DU PÉDALIER SUR UN SUPPORT OU UN COCKPIT

Le pédalier peut être fixé sur divers supports (vendus séparément) via les deux perforations (24) situées de chaque côté du pédalier.



**Si vos pédales ne fonctionnent pas correctement ou semblent mal calibrées :**

Éteignez votre console ou PC, déconnectez entièrement votre volant, reconnectez tous les câbles (y compris le câble d'alimentation secteur et le câble du pédalier), redémarrez la console ou PC et relancez votre jeu.

## INFORMATIONS RELATIVES A LA GARANTIE AUX CONSOMMATEURS

Dans le monde entier, Guillemot Corporation S.A., ayant son siège social Place du Granier, B.P. 97143, 35571 Chantepie, France (ci-après « Guillemot ») garantit au consommateur que le présent produit Thrustmaster est exempt de défaut matériel et de vice de fabrication, et ce, pour une période de garantie qui correspond au délai pour intenter une action en conformité de ce produit. Dans les pays de l'Union Européenne, ce délai est de deux (2) ans à compter de la délivrance du produit Thrustmaster. Dans les autres pays, la durée de la période de garantie correspond au délai pour intenter une action en conformité du produit Thrustmaster selon la législation en vigueur dans le pays où le consommateur avait son domicile lors de l'achat du produit Thrustmaster (si une telle action en conformité n'existe pas dans ce pays alors la période de garantie est de un (1) an à compter de la date d'achat d'origine du produit Thrustmaster).

Si, au cours de la période de garantie, le produit semble défectueux, contactez immédiatement le Support Technique qui vous indiquera la procédure à suivre. Si le défaut est confirmé, le produit devra être retourné à son lieu d'achat (ou tout autre lieu indiqué par le Support Technique).

Dans le cadre de la garantie, le consommateur bénéficiera, au choix du Support Technique, d'un remplacement ou d'une remise en état de marche du produit défectueux. Si, pendant la période de garantie, le produit Thrustmaster fait l'objet d'une telle remise en état, toute période d'immobilisation d'au moins sept jours vient s'ajouter à la durée de la garantie qui restait à courir (cette période court à compter de la demande d'intervention du consommateur ou de la mise à disposition pour remise en état du produit en cause, si cette mise à disposition est postérieure à la demande d'intervention). Lorsque la loi applicable l'autorise, toute responsabilité de Guillemot et ses filiales (y compris pour les dommages indirects) se limite à la remise en état de marche ou au remplacement du produit Thrustmaster. Lorsque la loi applicable l'autorise, Guillemot exclut toutes garanties de qualité marchande ou d'adaptation à un usage particulier.

Cette garantie ne s'appliquera pas : (1) si le produit a été modifié, ouvert, altéré, ou a subi des dommages résultant d'une utilisation inappropriée ou abusive, d'une négligence, d'un accident, de l'usure normale, ou de toute autre cause non liée à un défaut matériel ou à un vice de fabrication (y compris, mais non limitativement, une combinaison du produit Thrustmaster avec tout élément inadapté, notamment alimentations électriques, batteries, chargeurs, ou tous autres éléments non-fournis par Guillemot pour ce produit) ; (2) si le produit a été utilisé en dehors du cadre privé, à des fins professionnelles ou commerciales (salles de jeu, formations, compétitions, par exemple). (3) en cas de non respect des instructions du Support Technique ; (4) aux logiciels, lesdits logiciels faisant l'objet d'une garantie spécifique ; (5) aux consommables (éléments à remplacer pendant la durée de vie du produit : piles, coussinets de casque audio, par exemple) ; (6) aux accessoires (câbles, étuis, housses, sacs, dragonnes, par exemple) ; (7) si le produit a été vendu aux enchères publiques.

Cette garantie n'est pas transférable.

Les droits légaux du consommateur au titre de la législation applicable dans son pays à la vente de biens de consommation ne sont pas affectés par la présente garantie.

Par exemple, en France, indépendamment de la présente garantie, le vendeur reste tenu de la garantie légale de conformité mentionnée aux articles L. 217-4 à L.217-12 du code de la consommation et de celle relative aux défauts (vices cachés) de la chose vendue, dans les conditions prévues aux articles 1641 à 1648 et 2232 du code civil. La loi applicable (c'est-à-dire la loi française) impose de reproduire les extraits de la loi française suivants :

Article L. 217-4 du code de la consommation :

*Le vendeur livre un bien conforme au contrat et répond des défauts de conformité existant lors de la délivrance.*

*Il répond également des défauts de conformité résultant de l'emballage, des instructions de montage ou de l'installation lorsque celle-ci a été mise à sa charge par le contrat ou a été réalisée sous sa responsabilité.*

Article L. 217-5 du code de la consommation :

*Le bien est conforme au contrat :*

*1° S'il est propre à l'usage habituellement attendu d'un bien semblable et, le cas échéant :*

*- s'il correspond à la description donnée par le vendeur et possède les qualités que celui-ci a présentées à l'acheteur sous forme d'échantillon ou de modèle ;*

*- s'il présente les qualités qu'un acheteur peut légitimement attendre eu égard aux déclarations publiques faites par le vendeur, par le producteur ou par son représentant, notamment dans la publicité ou l'étiquetage ;*

*2° Ou s'il présente les caractéristiques définies d'un commun accord par les parties ou est propre à tout usage spécial recherché par l'acheteur, porté à la connaissance du vendeur et que ce dernier a accepté.*

Article L. 217-12 du code de la consommation :

*L'action résultant du défaut de conformité se prescrit par deux ans à compter de la délivrance du bien.*

Article L. 217-16 du code de la consommation :

*Lorsque l'acheteur demande au vendeur, pendant le cours de la garantie commerciale qui lui a été consentie lors de l'acquisition ou de la réparation d'un bien meuble, une remise en état couverte par la garantie, toute période d'immobilisation d'au moins sept jours vient s'ajouter à la durée de la garantie qui restait à courir.*

*Cette période court à compter de la demande d'intervention de l'acheteur ou de la mise à disposition pour réparation du bien en cause, si cette mise à disposition est postérieure à la demande d'intervention.*

Article L. 1641 du code civil:

*Le vendeur est tenu de la garantie à raison des défauts cachés de la chose vendue qui la rendent impropre à l'usage auquel on la destine, ou qui diminuent tellement cet usage que l'acheteur ne l'aurait pas acquise, ou n'en aurait donné qu'un moindre prix, s'il les avait connus.*

Article L. 1648 alinéa 1<sup>er</sup> du code civil:

*L'action résultant des vices rédhibitoires doit être intentée par l'acquéreur dans un délai de deux ans à compter de la découverte du vice.*

### Stipulations additionnelles à la garantie

Pendant la période de garantie, Guillemot ne fournira, en principe, pas de pièce détachée car le Support Technique est seul habilité tant à ouvrir qu'à remettre en état tout produit Thrustmaster (à l'exception des remises en état que le Support Technique demanderait, par instructions écrites, au consommateur d'effectuer -par exemple en raison de la simplicité et de l'absence de confidentialité du processus de remise en état-, en lui fournissant, le cas échéant, la ou les pièces détachées nécessaires).

Compte tenu de ses cycles d'innovation et pour préserver ses savoir-faire et secrets, Guillemot ne fournira, en principe, ni notice de remise en état, ni pièce détachée pour tout produit Thrustmaster dont la période de garantie est expirée.

Aux États-Unis d'Amérique et au Canada, la présente garantie est limitée au mécanisme interne et au boîtier externe du produit. En aucun cas, Guillemot ou ses sociétés affiliées ne sauraient être tenues responsables envers qui que ce soit de tous dommages indirects ou dommages accessoires résultant du non respect des garanties expresses ou implicites. Certains États/Provinces n'autorisent pas la limitation sur la durée d'une garantie implicite, ou l'exclusion ou la limitation de responsabilité pour les dommages indirects ou accessoires, de sorte que les limitations ou exclusions ci-dessus peuvent ne pas vous être applicables. Cette garantie vous confère des droits spécifiques ; vous pouvez également bénéficier d'autres droits qui peuvent différer d'un État/Province à l'autre.

### Responsabilité

Lorsque la loi applicable l'autorise, Guillemot Corporation S.A. (ci-après « Guillemot ») et ses filiales excluent toute responsabilité pour tous dommages causés par un ou plusieurs des faits suivants: (1) le produit a été modifié, ouvert, altéré, (2) l'irrespect des instructions de montage, (3) l'utilisation inappropriée ou abusive, la négligence, l'accident (un choc, par exemple), (4) l'usure normale du produit, (5) l'utilisation du produit en dehors du cadre privé, à des fins professionnelles ou commerciales (salles de jeu, formations, compétitions, par exemple). Lorsque la loi applicable l'autorise, Guillemot et ses filiales excluent toute responsabilité pour tout dommage dont la cause n'est pas liée à un défaut matériel ou à un vice de fabrication du produit (y compris, mais non limitativement, tout dommage causé directement ou indirectement par tout logiciel, ou par une combinaison du produit Thrustmaster avec tout élément inadapté, notamment alimentations électriques, batteries, chargeurs, ou tous autres éléments non-fournis par Guillemot pour ce produit).

### Déclaration de conformité

#### UTILISATEURS CANADIENS :

Cet appareil numérique de la classe B respecte toutes les exigences du Règlement sur le matériel brouilleur du Canada.

**THRUSTMASTER®**

**SUPPORT TECHNIQUE**

<https://support.thrustmaster.com>



## COPYRIGHT

© 2022 Guillemot Corporation S.A. Tous droits réservés. Thrustmaster® est une marque déposée de Guillemot Corporation S.A. Fabriqué et distribué par Guillemot Corporation S.A. Toutes les autres marques déposées et noms commerciaux sont reconnus par les présentes et sont la propriété de leurs propriétaires respectifs. Le contenu, la conception et les spécifications sont susceptibles de changer sans préavis et de varier selon les pays. Photos et illustrations non contractuelles. Conçu en Amérique du Nord et en Europe, fabriqué en Chine.

À utiliser exclusivement avec les consoles PlayStation®5 et les consoles PlayStation®4.

“PS”, “PlayStation”, “PS5”, “PS4” et “PlayStation Shapes Logo” sont des marques déposées ou des marques de Sony Interactive Entertainment Inc. Tous droits réservés. Toutes les autres marques sont la propriété de leurs propriétaires respectifs. Fabriqué et distribué sous licence de Sony Interactive Entertainment LLC.

## RECOMMANDATION RELATIVE A LA PROTECTION DE L'ENVIRONNEMENT



\* Dans l'Union Européenne, au Royaume-Uni et en Turquie : En fin de vie, ce produit ne doit pas être éliminé avec les déchets ménagers normaux mais déposé à un point de collecte des déchets d'équipements électriques et électroniques en vue de son recyclage.

Ceci est confirmé par le symbole figurant sur le produit, le manuel utilisateur ou l'emballage.

En fonction de leurs caractéristiques, les matériaux peuvent être recyclés. Par le recyclage et par les autres formes de valorisation des déchets d'équipements électriques et électroniques, vous contribuez de manière significative à la protection de l'environnement. Veuillez consulter les autorités locales qui vous indiqueront le point de collecte concerné.

Dans les autres pays : Veuillez vous reporter aux législations locales relatives au recyclage des équipements électriques et électroniques.

Informations à conserver. Les couleurs et décorations peuvent varier.

Il est recommandé de retirer les attaches en plastique et les adhésifs avant d'utiliser le produit.

[www.thrustmaster.com](http://www.thrustmaster.com)

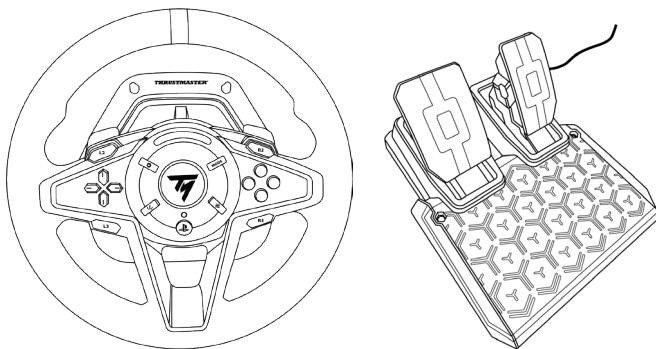
*\*Applicable à l'UE, au RU et à la Turquie uniquement*



# T128

Für PlayStation®5-Konsolen, PlayStation®4-Konsolen und PC\*

## Benutzerhandbuch

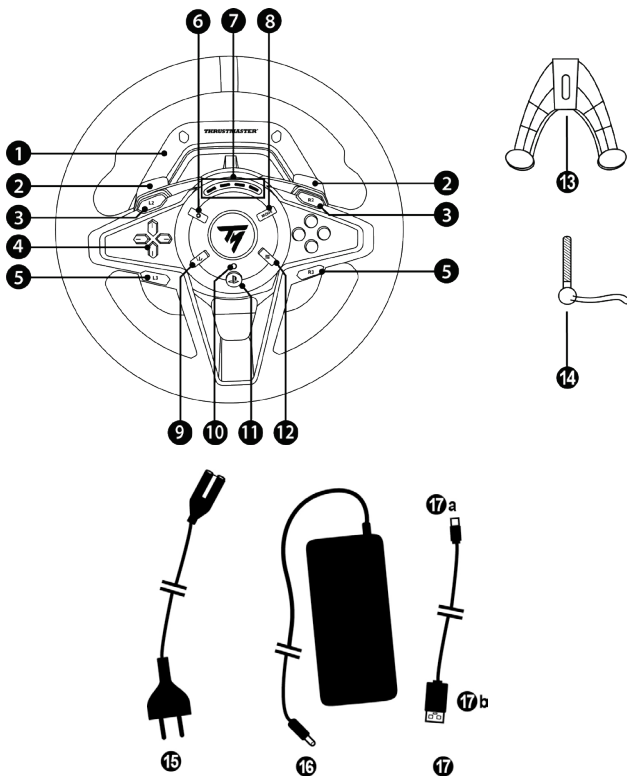


### **ACHTUNG:**

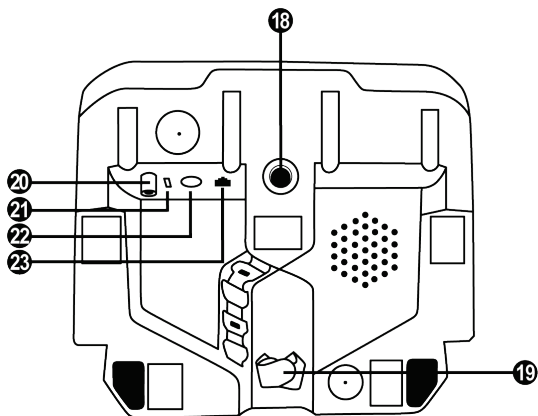
Um sicherzustellen, dass Ihr Rennlenkrad T128 mit Spielen auf PlayStation®5-Konsolen, PlayStation®4-Konsolen oder PC korrekt funktioniert, müssen Sie möglicherweise die automatischen Updates für das Spiel installieren  
(*verfügbar, wenn Ihre Konsole oder Ihr PC mit dem Internet verbunden ist*).

\*PC-Kompatibilität (Windows® 10/11) nicht von Sony Interactive Entertainment getestet oder unterstützt.

## TECHNISCHE AUSSTATTUNG



- |   |   |    |  |
|---|---|----|--|
| 1 | T128-Basis  | 10 | Spielmodus-LED (blau, rot oder grün)                   |
| 2 | 2 magnetische Schaltwippen (- und +)                              | 11 | PS-Taste   |
| 3 | L2- und R2-Tasten   | 12 | OPTIONS-Taste bei PS4™ -Konsolen<br>und PS5™ -Konsolen |
| 4 | Richtungstasten   | 13 | Befestigungssystem                                     |
| 5 | L3- und R3-Tasten   | 14 | Befestigungsschraube aus Metall                        |
| 6 | EINSTELLUNGS-Taste  | 15 | Netzkabel (EU/U.S./UK...)                              |
| 7 | 4 LEDs für RPM (Motordrehzahl)                                    | 16 | Netzadapter  |
| 8 | MODE-Taste  | 17 | USB-Kabel: USB-C (17a) – USB-A<br>(17b)                |
| 9 | SHARE-Taste bei PS4™ -Konsolen<br>CREATE-Taste bei PS5™ -Konsolen |    |  |



- 18** Große Gewindebohrung (für Befestigungssystem und Befestigungsschraube)
- 19** Kabelhalter mit Klettverschluss
- 20** Netzadapter-Anschluss

- 21** USB-C-Anschluss des Rennlenkrads
- 22** Mini-DIN-Anschluss für Thrustmaster Schalthebel, Handbremse oder Hub (*alle separat erhältlich*)
- 23** RJ12-Anschluss für Pedalset



## WARNHINWEISE

Lesen Sie dieses Handbuch vor der Verwendung des Produkts sorgfältig durch und bewahren Sie es zum späteren Nachschlagen auf.



### Vorsicht – Stromschlaggefahr!

- \* Bewahren Sie das Produkt an einem trockenen Ort auf und setzen Sie es weder Staub noch Sonnenlicht aus.
- \* Verdrehen Sie nicht die Anschlüsse und Kabel und ziehen Sie nicht daran.
- \* Verschütten Sie keine Flüssigkeiten auf das Produkt oder seine Anschlüsse.
- \* Schließen Sie das Produkt nicht kurz.
- \* Zerlegen Sie nicht das Produkt; werfen Sie es nicht ins Feuer und setzen Sie es keinen hohen Temperaturen aus.
- \* Verwenden Sie kein anderes Stromversorgungskabel als das, das mit Ihrem Lenkrad geliefert wurde.
- \* Verwenden Sie das Stromversorgungskabel nicht, wenn das Kabel oder seine Stecker beschädigt, gespalten oder gebrochen sind.
- \* Vergewissern Sie sich, dass das Stromversorgungskabel ordnungsgemäß in eine Steckdose eingesteckt und ordnungsgemäß mit dem Anschluss an der Rückseite der Lenkradbasis verbunden ist.
- \* Öffnen Sie das Rennlenkrad nicht: Es befinden sich keine vom Benutzer zu wartenden Teile im Inneren. Reparaturen dürfen nur vom Hersteller, seinem Beauftragten oder einem qualifizierten Techniker durchgeführt werden.
- \* Verwenden Sie nur die vom Hersteller angegebenen Befestigungssysteme/Zubehörteile.
- \* Wenn das Rennlenkrad nicht ordnungsgemäß funktioniert (wenn es anormale Geräusche, Wärme oder Gerüche abgibt), stellen Sie den Betrieb sofort ein, ziehen Sie den Netzstecker aus der Steckdose und ziehen Sie die anderen Kabel ab.
- \* Wenn Sie das Rennlenkrad über einen längeren Zeitraum nicht benutzen, ziehen Sie den Netzstecker aus der Steckdose.
- \* Die Steckdose muss sich in der Nähe des Geräts befinden und leicht zugänglich sein.



Verwenden Sie nur die in der Gebrauchsanweisung aufgeführte Stromversorgung.

### Informationen zum Netzadapter

Angezeigte Information	Wert	Einheit
Name des Herstellers oder Marke, Handelsregisternummer und Adresse	<b>GUILLEMOT CORPORATION S.A.</b> 414 196 758 Rennes Place du Granier BP 97143 35571 Chantepie Cedex Frankreich	
Modell-Bezeichnung	<b>A481-1852590D</b>	
Eingangsspannung	<b>100 - 240</b>	V
Eingangs-AC-Frequenz	<b>50 - 60</b>	Hz
Ausgangsspannung	<b>18,5</b>	V DC
Ausgangsstrom	<b>2,6</b>	A
Ausgangsleistung	<b>47,9</b>	W
Durchschnittlicher Wirkungsgrad	<b>87,8</b>	%
Wirkungsgrad bei geringer Last (10 %)	<b>87,8</b>	%
Leistungsaufnahme bei Null-Last	<b>0,10</b>	W



### **Lüftungsschlitze**

Stellen Sie sicher, dass Sie die Lüftungsschlitze an der Basis des Lenkrads nicht blockieren. Um eine optimale Belüftung zu gewährleisten, beachten Sie bitte folgende Punkte:

- \* Stellen Sie die Lenkradbasis mit einem Mindestabstand von 10 cm zu Wandflächen auf.
- \* Stellen Sie die Basis nicht in engen Umgebungen auf.
- \* Decken Sie die Basis nicht ab.
- \* Achten Sie darauf, dass sich kein Staub auf den Lüftungsöffnungen ablagert.



**Benutzen Sie das Pedalset aus Sicherheitsgründen niemals barfuß  
oder wenn Sie nur Socken an den Füßen tragen.**

**THRUSTMASTER® LEHNT JEDE HAFTUNG IM FALLE VON VERLETZUNGEN AB, DIE DURCH  
DIE BENUTZUNG DES PEDALSETS OHNE SCHUHE ENTSTEHEN.**



### **Vorsicht – Verletzungsgefahr durch Force Feedback und wiederkehrende Bewegungen**

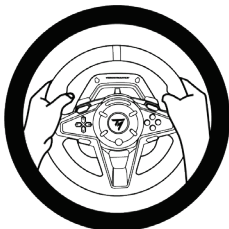
Das Spielen mit einem Force-Feedback-Rennlenkrad kann zu Muskel- oder Gelenkschmerzen führen. So vermeiden Sie mögliche Probleme:

- \* Vermeiden Sie längere Spielperioden.
- \* Machen Sie nach jeder Stunde Spielzeit eine 10- bis 15-minütige Pause.
- \* Wenn Sie Ermüdungserscheinungen oder Schmerzen in den Händen, Handgelenken, Armen, Füßen oder Beinen verspüren, hören Sie auf zu spielen und ruhen Sie sich einige Stunden aus, bevor Sie wieder mit dem Spielen beginnen.
- \* Wenn die angegebenen Symptome oder Schmerzen bei Wiederaufnahme des Spiels anhalten, hören Sie auf zu spielen und suchen Sie Ihren Arzt auf.
- \* Außerhalb der Reichweite von Kindern aufbewahren.
- \* Lassen Sie während des Spielens immer beide Hände korrekt auf dem Lenkrad liegen, ohne es vollständig loszulassen.
- \* Legen Sie während des Spielens niemals Ihre Hände oder Finger unter die Pedale oder in die Nähe des Pedalsets.
- \* Stecken Sie während der Kalibrierung und des Spiels niemals Ihre Hand oder Ihren Arm durch die Öffnungen des Lenkrads.
- \* Vergewissern Sie sich, dass die Basis des Rennlenkrads gemäß den Anweisungen in diesem Handbuch ordnungsgemäß befestigt ist.



Das Produkt darf nur von Benutzern bedient werden, die 14 Jahre oder älter sind.

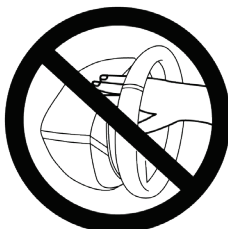
IMMER



NIE



NIE



**Vorsicht – Einklemmgefahr am Pedalset während des Spielens**

- \* Bewahren Sie das Pedalset außerhalb der Reichweite von Kindern auf.
- \* Bringen Sie während des Spielens niemals Ihre Finger auf oder in die Nähe der Seiten der Pedale.
- \* Bringen Sie während des Spielens niemals Ihre Finger auf oder in die Nähe der hinteren Pedalbasis.
- \* Bringen Sie während des Spielens niemals Ihre Finger auf oder in die Nähe der vorderen Pedalbasis.

NIE



NIE



NIE



**Vorsicht – Einklemmgefahr am Pedalset, wenn damit nicht gespielt wird**

- \* Bewahren Sie das Pedalset an einem sicheren Ort und außerhalb der Reichweite von Kindern auf.

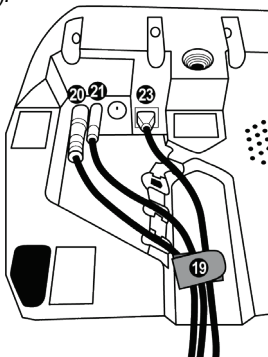
## BEFESTIGEN DES RENNLENKRADS

### Befestigung des Rennlenkrads auf einem Tisch oder Schreibtisch

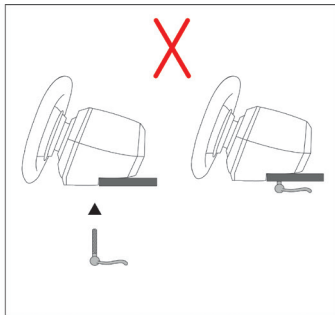
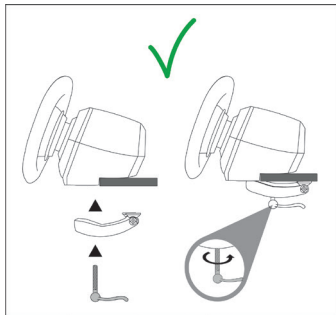
Beginnen Sie mit den Anschlüssen an der Unterseite des Lenkrads:

- der Netzadapter (20);
- das Quick-Release-USB-C-Kabel (17a) zum USB-C-Anschluss (21);
- das T2PM-Pedalset (23).

Beachten Sie die Wege für die verschiedenen Kabel und befestigen Sie die Kabel mit dem Klettverschluss-Kabelhalter (19).



1. Stellen Sie das Rennlenkrad auf einen Tisch oder eine andere waagerechte, ebene und stabile Fläche.
2. Stecken Sie die Befestigungsschraube (14) in das Befestigungssystem (13) und ziehen Sie die Vorrichtung fest, indem Sie die Schraube gegen den Uhrzeigersinn drehen, sodass sie in die große Gewindebohrung (18), die sich unterhalb des Rennlenkrads befindet, eingreift, bis das Lenkrad vollständig festsitzt.

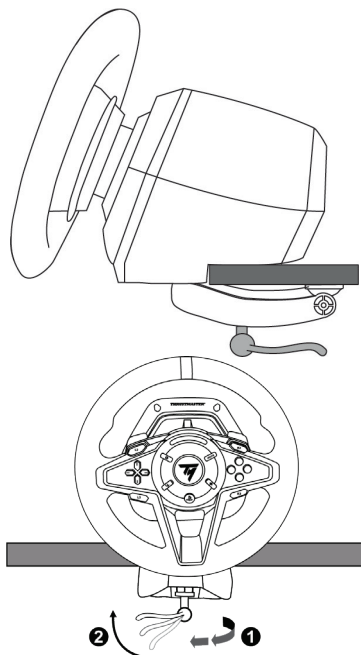


**ACHTUNG:** Ziehen Sie die Schraube niemals allein ohne vorhandenes Befestigungssystem an! Dadurch könnte das Rennlenkrad beschädigt werden.

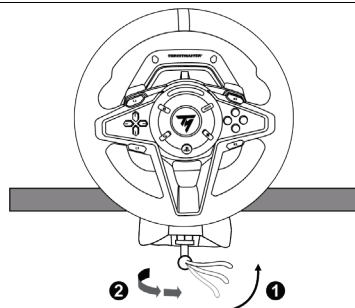
**MONTIEREN /  
ABMONTIEREN**

**RICHTUNG**

**Montieren:**  
  
*Drehen der  
Schraube  
entgegen  
dem Uhrzeigersinn*



**Abmontieren:**  
  
*Drehen der  
Schraube im  
Uhrzeigersinn*



## INSTALLATION

### AUTOMATISCHE KALIBRIERUNG DES RENNLENKRADS UND DES PEDALSETS

Das Lenkrad kalibriert sich automatisch selbst, wenn Sie das Rennlenkrad an eine Steckdose anschließen und den USB-Anschluss des Rennlenkrads mit der PlayStation®5-Konsole, der PlayStation®4-Konsole oder dem PC verbinden.

Während dieser Phase dreht sich das Lenkrad schnell nach rechts und links und deckt dabei einen Rotationswinkel von 900° ab. Danach stoppt das Lenkrad in der mittleren Position.



**WARNUNG:**

**Berühren Sie das Rennlenkrad niemals während der Kalibrierungsphase!  
(Dies kann zu Kalibrierungsfehlern und/oder Verletzungen führen.)**

Verbinden Sie das Pedalset niemals mit der Basis des Rennlenkrads (oder trennen Sie es von der Basis), wenn es an der PlayStation®-Konsole oder dem PC angeschlossen ist oder während des Spiels (dies könnte zu einer fehlerhaften Kalibrierung führen).

Schließen Sie immer zuerst das Pedalset an, bevor Sie das Rennlenkrad an die PlayStation®5-Konsole, die PlayStation®4-Konsole oder den PC anschließen.

Nach der Selbstkalibrierung des Rennlenkrads und nach dem Spielstart werden die Pedale nach mehrmaligem Niederdrücken automatisch kalibriert.



**WARNUNG:**

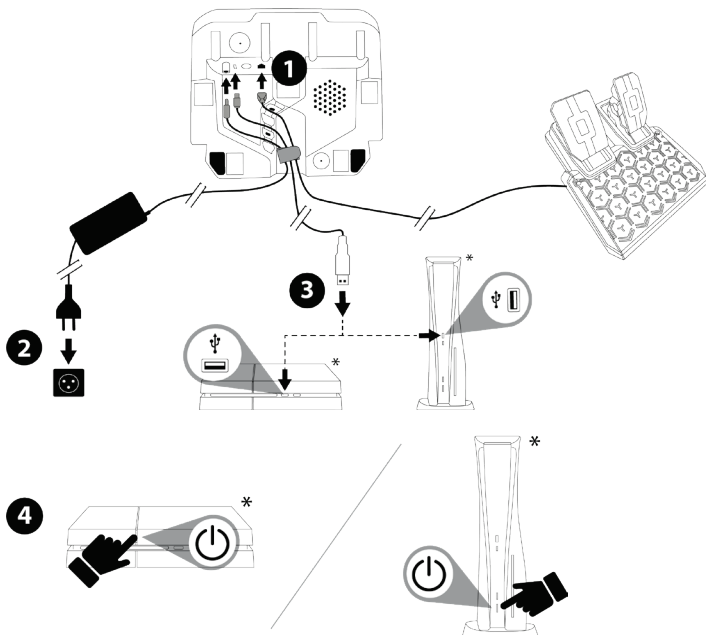
**Betätigen Sie die Pedale niemals während der Selbstkalibrierung  
des Lenkrads oder während ein Spiel geladen wird!  
(Dies kann zu Kalibrierungsfehlern führen.)**

**Falls Ihr Rennlenkrad und/oder das Pedalset nicht ordnungsgemäß funktionieren oder die Kalibrierung nicht korrekt zu sein scheint:**

- Schalten Sie Ihre Konsole (oder Ihren PC) aus. Trennen Sie das Rennlenkrad komplett von dem System. Schließen Sie die Kabel (auch Netz- und Pedalset-Kabel) erneut an. Starten Sie dann Ihre Konsole (oder Ihren PC) und das Spiel neu.
- Konfigurieren Sie das Pedal im **Standard**-Modus neu, indem Sie das Verfahren anwenden, das weiter unten in diesem Benutzerhandbuch beschrieben wird (Seite 16).

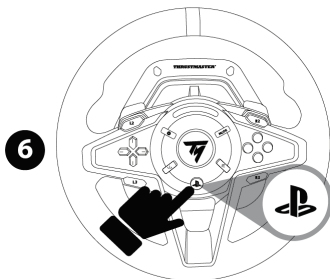
## INSTALLATION AUF PLAYSTATION®4-KONSOLEN ODER AUF PLAYSTATION®5-KONSOLEN

1. Verbinden Sie das T2PM-Pedalset mit dem RJ12-Anschluss (23) an der Basis.
2. Schließen Sie das Netzkabel und den Netzadapter an eine Steckdose an.
3. Verbinden Sie das USB-C-Kabel (17a) mit dem USB-C-Anschluss (21) an der Basis.  
Schließen Sie das USB-A-Kabel (17b) an einen USB-A-Anschluss an der PS4™-Konsole oder der PS5™-Konsole an.
4. Schalten Sie Ihre PlayStation®4-Konsole oder Ihre PlayStation®5-Konsole ein. Das Lenkrad kalibriert sich automatisch.



\*Nicht im Lieferumfang

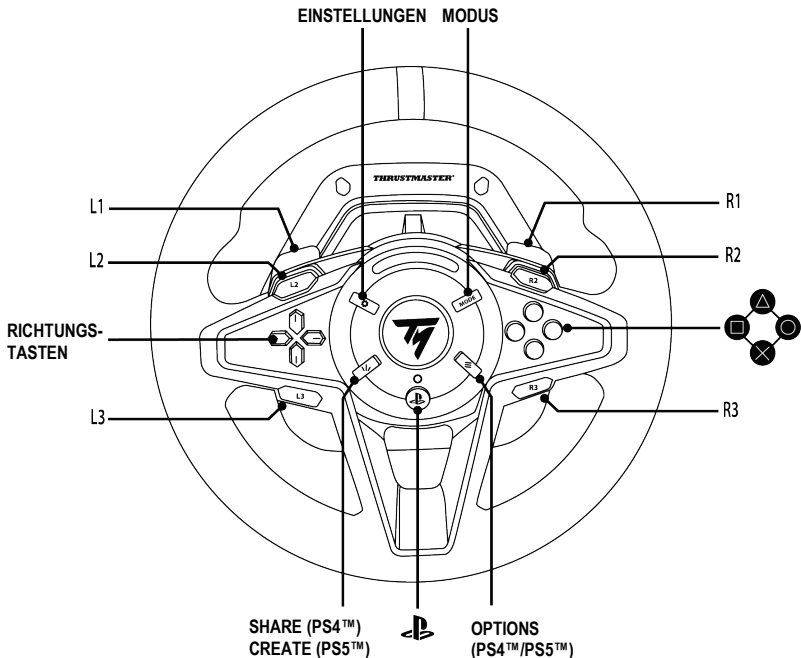
5. Wählen Sie ggf. den MODUS des Spiel, in dem Sie spielen möchten, wie im weiteren Verlauf dieses Benutzerhandbuchs beschrieben (auf Seite 15).
6. Drücken Sie die PS-Taste **(11)** des Rennlenkrads, und melden Sie sich bei Ihrem PlayStation™Network-Konto an, damit das Rennlenkrad funktioniert.



***Sie können nun an den Start gehen und Ihr Rennen bestreiten!***



## MAPPING FÜR PLAYSTATION®4-KONSOLEN ODER PLAYSTATION®5-KONSOLEN



### Hinweise für PS4™-Konsolen oder PS5™-Konsolen:

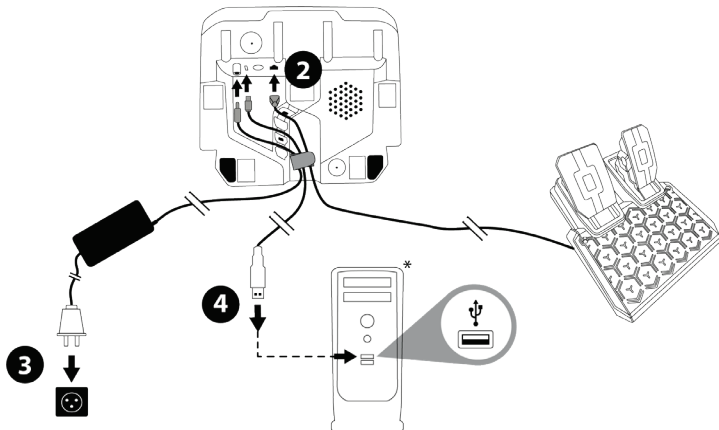
- Das Rennlenkrad wird in Spielen als Thrustmaster T-GT-Rennlenkrad oder als Thrustmaster Advanced Racer-Rennlenkrad erkannt.
- Die 4 LEDs zur Anzeige der Motordrehzahl (7) funktionieren in Spielen, die mit dem Thrustmaster SDK kompatibel sind. Die Liste der kompatiblen Spiele finden Sie hier: <https://support.thrustmaster.com> (im Abschnitt **Lenkräder / T128 / Spiele-Einstellungen**). Diese Liste wird regelmäßig aktualisiert.
- Die Liste der mit dem T128-Rennlenkrad kompatiblen Spiele für PlayStation®4-Konsolen und PlayStation®5-Konsolen finden Sie hier: <https://support.thrustmaster.com> (im Bereich **Lenkräder / T128 / Spiele-Einstellungen**). Diese Liste wird regelmäßig aktualisiert.

## INSTALLATION AUF DEM PC\*

\*PC-Kompatibilität (Windows® 10/11) nicht von Sony Interactive Entertainment getestet oder unterstützt.

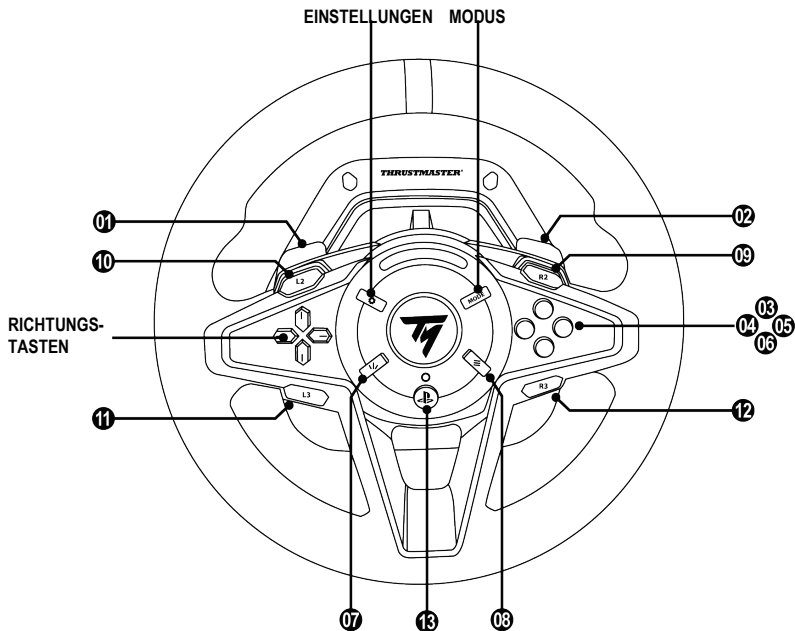
1. Besuchen Sie <https://support.thrustmaster.com>, um die Treiber und die Force-Feedback-Software für den PC herunterzuladen. Klicken Sie auf **Lenkräder / T128 / Treiber**.
2. Verbinden Sie das T2PM-Pedalset mit dem RJ12-Anschluss (**23**) an der Basis.
3. Schließen Sie das Netzkabel und den Netzadapter an eine Steckdose an.
4. Verbinden Sie das USB-C-Kabel (**17a**) mit dem USB-C-Anschluss (**21**) an der Basis.
5. Schließen Sie das USB-A-Kabel (**17b**) an einen USB-A-Anschluss an Ihrem PC an.

Ihr Rennlenkrad kalibriert sich automatisch.



6. Wählen Sie **Start / Thrustmaster / FFB Rennlenkrad / Systemsteuerung**, um das Fenster **Gamecontroller** zu öffnen. Das Fenster **Gamecontroller** zeigt den Namen des Rennlenkrads, **Thrustmaster Advanced Mode Racer**, zusammen mit dem Status **OK** an.
7. Klicken Sie auf **Eigenschaften**, um Ihr Rennlenkrad in der T128-Systemsteuerung zu konfigurieren:
  - **Tab Test Device**: Hier können Sie die Aktionstasten, Richtungstasten und Achsen des Rennlenkrads (sowie die Achsen des Pedalsets) zu testen und anzuzeigen und den Rotationswinkel des Rennlenkrads in Ihren PC-Spielen anzupassen.
  - **Tab Test Forces**: Hier können Sie 12 Force-Feedback-Effekte testen.
  - **Tab Adjust Forces**: Hier können Sie die Stärke der Force-Feedback-Effekte in Ihren PC-Spielen einstellen.

# MAPPING FÜR PC



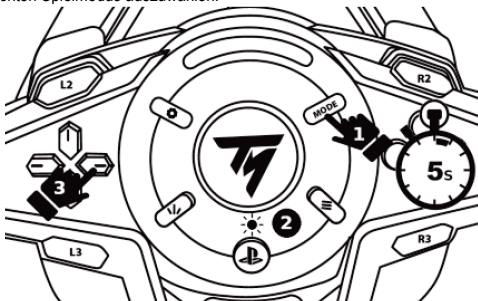
## Hinweise für PC:


- In der Systemsteuerung und in Spielen wird das Rennlenkrad unter dem Namen **Thrustmaster Advanced Mode Racer** erkannt.
- Achten Sie darauf, dass Sie das **Gamecontroller**-Fenster vor dem Start Ihres Spiels vollständig schließen, indem Sie auf **OK** klicken.
- Die im **Gamecontroller**-Fenster vorgenommenen Einstellungen und Anpassungen werden nur auf Ihrem PC gespeichert (und haben daher keine Auswirkungen bei PS®4-Konsolen oder PS®5-Konsolen).
- Die Firmware-Version Ihres Rennlenkrads erscheint im oberen rechten Bereich des T128-Bedienfeld-Tabs.
- Die 4 LEDs zur Anzeige der Motordrehzahl (7) sind in PC-Spielen, die mit dem Thrustmaster SDK kompatibel sind, funktionsfähig. Die Liste der kompatiblen Spiele finden Sie hier: <https://support.thrustmaster.com> (im Bereich **Lenkräder / T128 / Spiele-Einstellungen**). Diese Liste wird regelmäßig aktualisiert.

## AUSWAHL DES SPIELMODUS

### Vorgehensweise:

1. Halten Sie die MODE-Taste (8) 5 Sekunden lang gedrückt, bis die LED (10) über der PS-Taste zu blinken beginnt.
2. Ohne die Taste MODE (8) loszulassen, drücken Sie gleichzeitig die rechte Richtungstaste (4), um den gewünschten Spielmodus auszuwählen.



LED-FARBE 	SPIELMODUS
BLAU	PLAYSTATION® STANDARD-KOMPATIBILITÄT (Standardmodus)
ROT	PLAYSTATION® ZUKÜNFTIGE KOMPATIBILITÄT
GRÜN	PC

Wenn Sie den Spielmodus gewählt haben, lassen Sie die Tasten los: Ihre Wahl wird im internen Speicher des Rennlenkrahms gespeichert. Das Rennlenkrad startet neu und kalibriert sich selbst.

### Hinweise:

- Auf PlayStation®4-Konsolen und PlayStation®5-Konsolen: Damit das Rennlenkrad T128 nach der Selbstkalibrierung funktionsfähig ist, drücken Sie die PS-Taste (11) und melden Sie sich bei Ihrem PlayStation™Network-Konto an.
- Die Liste der mit der PlayStation®4-Konsole und der PlayStation®5-Konsole und dem Rennlenkrad T128 kompatiblen Spiele (und dem entsprechenden MODUS des Spiels) finden Sie hier: <https://support.thrustmaster.com> (im Abschnitt **Lenkräder / T128 / Spiele-Einstellungen**). Diese Liste wird regelmäßig aktualisiert.

## MODUS DES PEDALSETS (Wird bei jedem Neustart des Rennlenkrs angezeigt)

Bei jedem Neustart des Rennlenkrs (und nach seiner Selbstkalibrierung) zeigen die 4 RPM-LEDs (7) den Modus (Position und Typ) an, in dem Ihr Pedalset konfiguriert ist.

### Position:

- **NORMAL:** Standard-Position;
- oder **INVERTIERT:** In dieser Position sind Gas- und Kupplungspedal umgestellt – diese Position ist nur mit einem 3-Pedalset möglich.

### Typ:

- **T2PM-T3PA-T3PM** ohne Load-Cell-Technologie: **Standardtyp;**
- oder **T-LCM** mit Load-Cell-Technologie.

MODUS DES PEDALSETS	BLINKEN DER RPM LEDs (7)
<b>STANDARD-MODUS</b> - NORMALE Position - Typ T2PM-T3PA-T3PM	<b>STANDARD-MODUS</b> 
- NORMALE Position - Typ T-LCM	
- INVERTIERTE Position - Typ T2PM-T3PA-T3PM	
- INVERTIERTE Position - Typ T-LCM	

## NEUKONFIGURATION DES PEDALSETS IM STANDARDMODUS (Muss durchgeführt werden, wenn Ihr Pedalset nicht richtig funktioniert)

### Durchführung:

- Drücken Sie achtmal **SCHNELL** auf die Taste **EINSTELLUNGEN** (6).



Die 4 RPM-LEDs (7) blinken fünfmal gleichzeitig, um die Neukonfiguration im Standardmodus anzuzeigen.



## DIE POSITION DER PEDALE INVERTIEREN (Wenn Sie ein 3-Pedalset verwenden)

Das Rennlenkrad T128 wird standardmäßig mit dem 2-pedaligen Pedalset T2PM ausgeliefert. Dieses Rennlenkrad ist auch mit den 3-Pedalsets T3PA, T3PM und T-LCM von Thrustmaster (separat erhältlich) kompatibel.

Wenn Sie ein 3-pedaliges Pedalset verwenden, ist es möglich, das Gas- und Kupplungspedal elektronisch zu vertauschen.

### Durchführung:

- Halten Sie die Taste **EINSTELLUNGEN (6)** für **5 Sekunden** gedrückt.



Die Umstellung der Pedale wird sofort im internen Speicher des Rennlenkrads gespeichert, und eine der 4 RPM-LEDs (7) blinkt dreimal, um die gewählte Position anzuzeigen.

GAS- UND KUPPLUNGSPEDALE	BLINKEN DER RPM LEDs (7)
<b>STANDARD-MODUS</b> - NORMALE Position	A diagram of a curved pedal assembly with four pedals. The leftmost pedal is green, and the other three are black. A circular icon with '3x' is positioned above the first pedal.
- INVERTIERTE Position	A diagram of a curved pedal assembly with four pedals. The second pedal from the left is orange, and the other three are black. A circular icon with '3x' is positioned above the second pedal.

# MANUELLES UMSCHALTEN DES PEDALSETS VOM TYP T2PM-T3PA-T3PM AUF DEN TYP T-LCM (und umgekehrt)

Standardmäßig ist der Modus des Pedalsets der Typ **T2PM-T3PA-T3PM**.

Dieser Modus wird im internen Speicher des Rennlenkrads gespeichert und bleibt immer aktiviert, es sei denn, Sie schließen ein T-LCM-Pedalset an den RJ12-Anschluss an oder schalten den Modus manuell um.

## Durchführung:

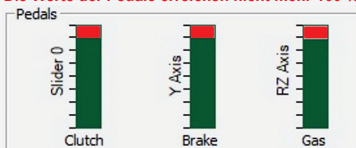
- Halten Sie die Taste **EINSTELLUNGEN (6)** und die **linke Schaltwippe (-)** gleichzeitig **5 Sekunden** lang gedrückt.



MODUS	BLINKEN DER RPM LEDs (7)
<b>STANDARD-MODUS</b> - Typ T2PM-T3PA-T3PM	
- Typ T-LCM	



Beim Typ T-LCM funktionieren die Pedalsets T2PM, T3PA und T3PM nicht einwandfrei.  
Die Werte der Pedale erreichen nicht mehr 100 %.



Um wieder korrekt zu funktionieren (und 100 % zu erreichen), müssen Sie den Modus für die Basis des Rennlenkrads manuell auf den Typ T2PM-T3PA-T3PM umschalten.



# MANUELLE ÄNDERUNG DES ROTATIONSWINKELS ÜBER DAS RENNLENKRAD

(nur möglich in Spielen, in denen der Rotationswinkel nicht automatisch eingestellt wird)

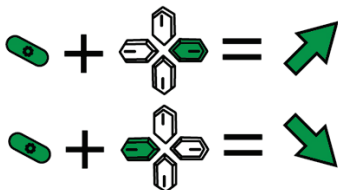
Das Rennlenkrad T128 hat einen einstellbaren Rotationswinkel zwischen 270° und 900°.

In vielen Spielen erfolgt die Einstellung des Rotationswinkels des Rennlenkrads automatisch und passt sich an das verwendete Fahrzeug an. In diesen Spielen ist es nicht möglich, den Rotationswinkel manuell zu ändern, da diese Funktion vom Spiel und nicht vom Benutzer gesteuert wird.

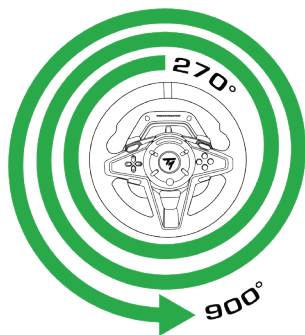
In anderen Spielen ist es möglich, den Rotationswinkel direkt über das Lenkrad manuell zu verändern.

## Durchführung:

- Drücken Sie gleichzeitig die **Taste EINSTELLUNGEN (6)** und die **rechte Richtungstaste (4)**, um den Rotationswinkel um eine Stufe zu **erhöhen**; oder
- Drücken Sie gleichzeitig die **Taste EINSTELLUNGEN (6)** und die **linke Richtungstaste (4)**, um den Rotationswinkel um eine Stufe zu **verringern**.



4 mögliche Stufen	
Ausgewählter Rotationswinkel	RPM LEDs (7)
270°	
360°	
540°	
900°	



**Bitte beachten Sie:** Der manuell über das Rennlenkrad veränderte Rotationswinkel wird nicht dauerhaft gespeichert. Dieser Vorgang muss bei jedem Neustart des Spiels oder des Rennlenkrads durchgeführt werden.

## WEITERE FUNKTIONEN FÜR DIE EINSTELLUNGSTASTE (6)

Bitte besuchen Sie <https://support.thrustmaster.com>.

Klicken Sie auf **Lenkräder / T128** und danach auf **Benutzerhandbuch** oder **FAQ**.

## AKTUALISIERUNG DER FIRMWARE DES RENNLENKRADS

Bitte besuchen Sie <https://support.thrustmaster.com>.

Klicken Sie auf **Lenkräder / T128 / Firmware** und folgen Sie den Anweisungen.

## WEITERE TIPPS UND FAQs

Bitte besuchen Sie <https://support.thrustmaster.com>.

Klicken Sie auf **Lenkräder / T128** und danach auf **Benutzerhandbuch** oder **FAQ**.

EN

FR

DE

NL

IT

ES

PT

RU

CS

TR

PL

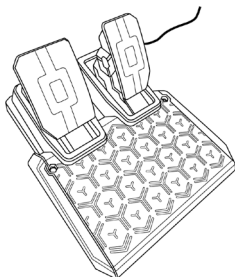
日本語

繁體中文

한국어

العربية

# PEDALSET T2PM



## WARNUNG

Bevor Sie dieses Produkt benutzen, lesen Sie bitte dieses Benutzerhandbuch sorgfältig durch und bewahren Sie es zum späteren Nachschlagen auf.



**Benutzen Sie das Pedalset aus Sicherheitsgründen niemals barfuß oder wenn Sie nur Socken an den Füßen tragen.**

**THRUSTMASTER® LEHNT JEDE HAFTUNG IM FALLE VON VERLETZUNGEN AB, DIE DURCH DIE BENUTZUNG DES PEDALSETS OHNE SCHUHE ENTSTEHEN.**



### **Vorsicht – Einklemmgefahr am Pedalset während des Spielens**

- \* Bewahren Sie das Pedalset außerhalb der Reichweite von Kindern auf.
- \* Bringen Sie während des Spielens niemals Ihre Finger auf oder in die Nähe der Seiten der Pedale.
- \* Bringen Sie während des Spielens niemals Ihre Finger auf oder in die Nähe der hinteren Pedalbasis.
- \* Bringen Sie während des Spielens niemals Ihre Finger auf oder in die Nähe der vorderen Pedalbasis.

NIE



NIE



NIE

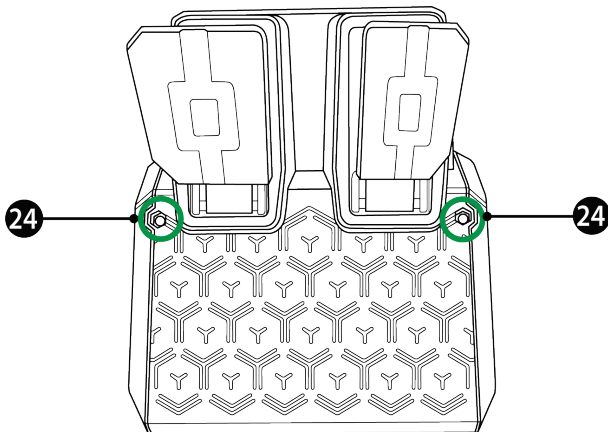


### **Vorsicht – Einklemmgefahr am Pedalset, wenn damit nicht gespielt wird**

- \* Bewahren Sie das Pedalset an einem sicheren Ort und außerhalb der Reichweite von Kindern auf.

## BEFESTIGUNG DES PEDALSETS AN EINER HALTERUNG ODER IN EINEM COCKPIT

Das Pedalset kann mit Hilfe der beiden Bohrungen (24), die sich auf beiden Seiten des Pedalsets befinden, an einer Vielzahl verschiedener Halterungen (separat erhältlich) befestigt werden.



**Wenn Ihr Rennlenkrad und/oder die Pedale nicht richtig funktionieren oder nicht richtig kalibriert zu sein scheinen:**

Schalten Sie Ihre Konsole oder Ihren PC aus und trennen Sie das Lenkrad vollständig ab. Schließen Sie anschließend alle Kabel wieder an (einschließlich des Stromversorgungskabels und des Pedalsets) und starten Sie Ihre Konsole (oder Ihren PC) und Ihr Spiel neu.

## **Kunden-Garantie-Information**

Guillemot Corporation S.A. mit Hauptfirmensitz in Place du Granier, B.P. 97143, 35571 Chantepie, France (fortfolgend "Guillemot") garantiert Kunden weltweit, daß dieses Thrustmaster Produkt frei von Mängeln in Material und Verarbeitung für eine Gewährleistungsfrist ist, die mit der Frist für eine Mängelrüge bezüglich des Produktes übereinstimmt. In den Ländern der Europäischen Union entspricht diese einem Zeitraum von zwei (2) Jahren ab Kaufdatum des Thrustmaster Produktes. In anderen Ländern entspricht die Gewährleistungsfrist der zeitlichen Begrenzung für eine Mängelrüge bezüglich des Thrustmaster Produktes in Übereinstimmung mit anwendbarem Recht des Landes, in dem der Kunde zum Zeitpunkt des Erwerbs eines Thrustmaster Produktes wohnhaft ist. Sollte eine entsprechende Regelung in dem entsprechenden Land nicht existieren, umfasst die Gewährleistungspflicht einen Zeitraum von einem (1) Jahr ab dem originären Kaufdatum des Thrustmaster Produktes.

Sollten bei dem Produkt innerhalb der Gewährleistungsfrist Defekte auftreten, kontaktieren Sie unverzüglich den technischen Kundendienst, der die weitere Vorgehensweise anzeigt. Wurde der Defekt bestätigt, muß das Produkt an die Verkaufsstelle (oder an eine andere Stelle, je nach Maßgabe des technischen Kundendienstes) retourniert werden.

Im Rahmen dieser Garantie sollte das defekte Produkt des Kunden, je nach Entscheidung des technischen Kundendienstes, entweder ausgetauscht oder repariert werden. Sollte während der Garantiezeit das Thrustmaster Produkt einer derartigen Instandsetzung unterliegen und das Produkt während eines Zeitraums von mindestens sieben (7) Tagen nicht benutzbar sein, wird diese Zeit der restlichen Garantiezeit hinzugefügt. Diese Frist läuft ab dem Zeitpunkt, an dem der Wunsch des Verbrauchers bezüglich einer Intervention vorliegt oder ab dem Tag, an dem das fragliche Produkt zur Instandsetzung zur Verfügung steht, falls das Datum, an dem das Produkt zur Instandsetzung zur Verfügung steht, dem Datum des Antrags auf Intervention nachfolgt. Wenn nach geltendem Recht zulässig, beschränkt sich die volle Haftung von Guillemot und ihrer Tochtergesellschaften auf die Reparatur oder den Austausch des Thrustmaster Produktes (inklusive Folgeschäden). Wenn nach geltendem Recht zulässig, lehnt Guillemot alle Gewährleistungen der Marktgängigkeit oder Eignung für einen bestimmten Zweck ab.

Der Gewährleistungsanspruch verfällt: (1) Falls das Produkt modifiziert, geöffnet, verändert oder ein Schaden durch unsachgemäßen oder missbräuchlichen Gebrauch hervorgerufen wurde, sowie durch Fahrlässigkeit, einen Unfall, Verschleiß oder irgendeinem anderen Grund – aber nicht durch Material- oder Herstellungsfehler (einschließlich, aber nicht beschränkt auf, die Kombination der Thrustmaster Produkte mit ungeeigneten Elementen, insbesondere Netzteile, Akkus, Ladegeräte, oder andere Elemente, die von Guillemot für dieses Produkt nicht mitgeliefert wurden); (2) Falls das Produkt für eine andere Nutzung als zum privaten Hausgebrauch, einschließlich für professionelle oder kommerzielle Zwecke (z. B. Spielhallen, Training, Wettkämpfe) verwendet wird; (3) Im Falle der Nichteinhaltung der durch den technischen Support erteilten Anweisungen; (4) Durch Software. Die besagte Software ist Gegenstand einer speziellen Garantie; (5) Bei Verbrauchsmaterialien (Elemente, die während der Produktlebensdauer ausgetauscht werden, wie z. B. Einwegbatterien, Ohrpolster für ein Audioheadset oder für Kopfhörer); (6) Bei Accessoires (z. B. Kabel, Etuis, Taschen, Beutel, Handgelenk-Riemen); (7) Falls das Produkt in einer öffentlichen Versteigerung verkauft wurde. Diese Garantie ist nicht übertragbar.

Die Rechte des Kunden in Übereinstimmung mit anwendbarem Recht bezüglich des Verkaufs auf Konsumgüter im Land der/der Kunden/Kundin wird durch diese Garantie nicht beeinträchtigt.

### Zusätzliche Gewährleistungsbestimmungen

Während der Garantiezeit bietet Guillemot grundsätzlich keine Ersatzteile an, da der technische Kundendienst der einzige autorisierte Partner zum Öffnen und/oder Instandsetzen jedweden Thrustmaster-Produkts ist (mit Ausnahme von irgendwelchen Instandsetzungsverfahren, die der Kunde nach Maßgabe des technischen Kundendienstes und durch schriftliche Instruktionen sowie der Zurverfügungstellung des/der eventuell erforderlichen Ersatzteil(s)(e) selbst in der Lage ist durchzuführen – zum Beispiel aufgrund der Einfachheit und einer nicht erforderlichen Geheimhaltung des Instandsetzungsverfahrens).

Aufgrund seiner Innovationszyklen und um sein Know-how und seine Geschäftsgeheimnisse zu schützen, bietet Guillemot grundsätzlich keine Instandsetzungs-Benachrichtigung oder Ersatzteile für alle Thrustmaster Produkte an, deren Garantiezeit abgelaufen ist.

### Haftung

Wenn nach dem anwendbaren Recht zulässig, lehnen Guillemot Corporation S.A. (fortfolgend "Guillemot") und ihre Tochtergesellschaften jegliche Haftung für Schäden, die auf eine oder mehrere der folgenden Ursachen zurückzuführen sind, ab: (1) das Produkt wurde modifiziert, geöffnet oder geändert; (2) Nichtbefolgung der Montageanleitung; (3) unangebrachte Nutzung, Fahrlässigkeit, Unfall (z. B. ein Aufprall); (4) normalem Verschleiß; (5) Die Verwendung des Produkts für jedwede andere Nutzung als zum privaten Hausgebrauch, einschließlich professionelle oder kommerzielle Zwecke (z. B. Spielhallen, Training, Wettkämpfe). Wenn nach anwendbarem Recht zulässig, lehnen Guillemot und seine Niederlassungen jegliche Haftung für Schäden, die nicht auf einen Material- oder Herstellungsfehler in Bezug auf das Produkt beruhen (einschließlich, aber nicht beschränkt auf, etwaige Schäden, die direkt oder indirekt durch Software oder durch die Kombination der Thrustmaster Produkte mit ungeeigneten Elementen, insbesondere Netzteile, Akkus, Ladegeräte, oder andere Elemente, die von Guillemot für dieses Produkt nicht geliefert wurden), ab.

**THRUSTMASTER®**

**TECHNISCHER SUPPORT**

<https://support.thrustmaster.com>



## COPYRIGHT

©2022 Guillemot Corporation S.A. Alle Rechte vorbehalten. Thrustmaster® ist eine eingetragene Marke von Guillemot Corporation S.A. Alle anderen Marken sind im Besitz Ihrer jeweiligen Eigentümer. Inhalte, Designs und Spezifikationen können ohne vorherige Ankündigung geändert werden und können von Land zu Land unterschiedlich sein. Fotos und Illustrationen nicht verbindlich. Entwickelt in Nordamerika und Europa. Hergestellt in China.

Ausschließlich zur Verwendung mit PlayStation®5-Konsolen und PlayStation®4-Konsolen.

"PS", "PlayStation", "PS5", "PS4" und "PlayStation Shapes Logo" sind eingetragene Marken oder Warenzeichen von Sony Interactive Entertainment Inc. Alle Rechte vorbehalten. Alle anderen Marken sind im Besitz ihrer jeweiligen Eigentümer. Hergestellt und vertrieben unter Lizenz von Sony Interactive Entertainment LLC.

## HINWEISE ZUM UMWELTSCHUTZ



\* In der Europäischen Union, dem Vereinigten Königreich und der Türkei: Dieses Produkt darf nach Ende seiner Lebensdauer nicht über den Hausmüll entsorgt werden, sondern muss an einem Sammelpunkt für das Recycling von elektrischen und elektronischen Geräten abgegeben werden.

Das Symbol auf dem Produkt, der Gebrauchsanleitung oder der Verpackung weist darauf hin.

Die Werkstoffe sind gemäß ihrer Kennzeichnung wiederverwertbar. Mit der Wiederverwertung, der stofflichen Verwertung oder anderen Formen von Altgeräten leisten Sie einen wichtigen Beitrag zum Schutz unserer Umwelt. Bitte erfragen Sie bei der Gemeindeverwaltung die zuständige Entsorgungsstelle.

Für alle anderen Länder: Bitte beachten Sie die lokalen Entsorgungsrichtlinien/-Gesetze bezüglich elektrischen und elektronischen Equipments.

Wichtige Informationen. Die Farben und Verzierungen können abweichen.  
Plastikhalterungen und Aufkleber bitte vor der Nutzung des Produktes entfernen.

[www.thrustmaster.com](http://www.thrustmaster.com)

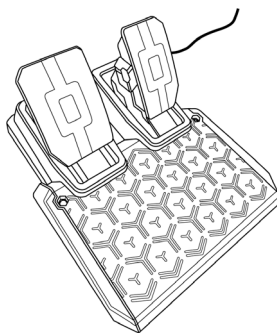
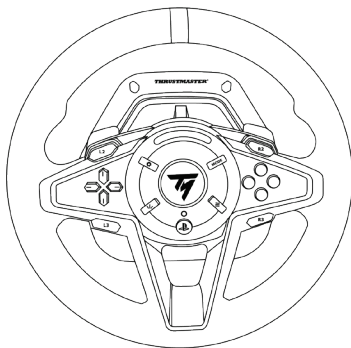
*\* Nur in der EU, dem Vereinigten Königreich und der Türkei anwendbar*



# T128

Voor PlayStation®5-consoles, PlayStation®4-consoles en de PC\*

Handleiding



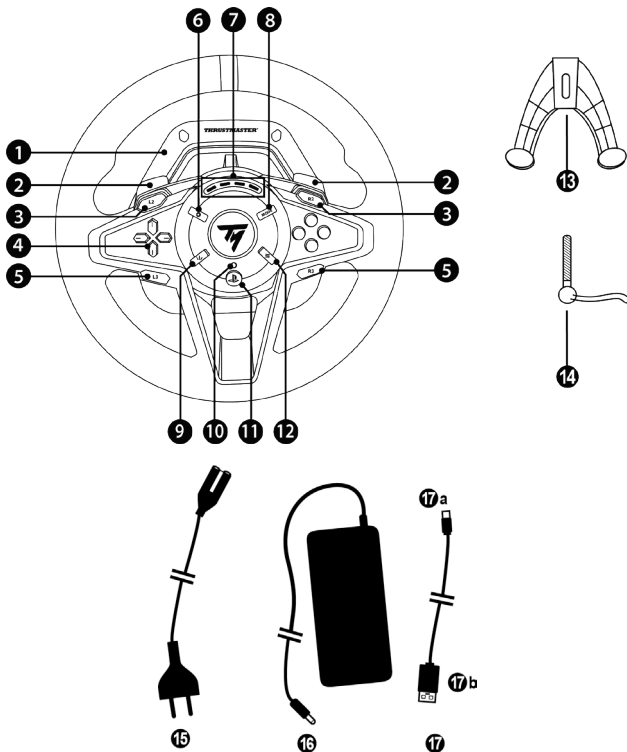
## **WAARSCHUWING:**

Om er zeker van te zijn dat uw T128-racestuur correct werkt met games op de PlayStation®5-consoles, PlayStation®4-consoles of de PC, moet u mogelijk de automatische updates voor de game installeren  
(beschikbaar als uw console of PC is verbonden met internet).

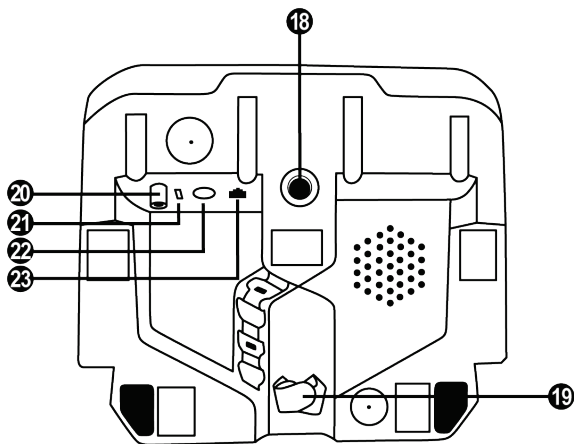
\* PC-compatibiliteit (Windows® 10/11) niet getest of niet ondersteund door Sony Interactive Entertainment.



## TECHNISCHE KENMERKEN



- |   |   |    |  |
|---|---|----|--|
| 1 | T128-voet   | 10 | LED voor game-modus (blauw, rood of groen)     |
| 2 | 2 magnetische schakelflippers (op- en terugschakelen)       | 11 | PS-knop  |
| 3 | L2- en R2-knoppen   | 12 | OPTIONS-knop op PS4™-consoles en PS5™-consoles |
| 4 | Richtingsknoppen  | 13 | Bevestigingssysteem                            |
| 5 | L3- en R3-knoppen   | 14 | Metalen bevestigingsbout                       |
| 6 | INSTELLINGEN-knop   | 15 | Netstroomkabel (EU/VS/NK...)                   |
| 7 | 4 RPM-LED's (display motortoerental)                        | 16 | Voedingsadapter                                |
| 8 | MODE-knop   | 17 | USB-kabel: USB-C (17a) – USB-A (17b)           |
| 9 | SHARE-knop op PS4™-consoles<br>CREATE-knop on PS5™-consoles |    |  |



**18** Groot schroefgat (voor bevestigingssysteem en -bout)

**19** Haak-en-lus kabelhouder

**20** Connector voor voedingsadapter

**21** USB-C-connector van racestuur

**22** Mini-DIN-connector voor Thrustmaster-shifter, -handrem of -hub (*worden apart verkocht*)

**23** RJ12-connector voor pedaalsset

## WAARSCHUWING

Lees, voordat u dit product gebruikt, deze handleiding zorgvuldig door en bewaar hem om hem eventueel op een later tijdstip te kunnen raadplegen.



### Waarschuwing – Elektrische schok

- \* Berg dit product op een droge plek op, uit de zon en stofvrij.
- \* Trek nooit te hard aan een kabel of connector, en zorg dat er geen knikken in kabels komen.
- \* Mors geen vloeistoffen op het product of op een connector.
- \* Veroorzaak geen kortsluiting.
- \* Haal het product niet uit elkaar, gooi het niet in het vuur en stel het niet bloot aan hoge temperaturen.
- \* Gebruik geen andere netstroomkabel dan de kabel meegeleverd bij het racestuur.
- \* Gebruik de netstroomkabel nooit als de kabel, de stekkers of de connectoren zijn beschadigd, gescheurd of gebroken.
- \* Controleer dat de netstroomkabel correct is aangesloten op het stopcontact en correct is aangesloten op de achterzijde van de voet van het racestuur.
- \* Maak het stuur niet open. Het bevat geen door de gebruiker te onderhouden of repareren onderdelen. Alle reparaties dienen te worden uitgevoerd door de fabrikant, haar bevoegde vertegenwoordiger of een gekwalificeerd technicus.
- \* Gebruik alleen door de fabrikant goedgekeurde hulpstukken en accessoires.
- \* Als het racestuur zich vreemd gedraagt, bijvoorbeeld door rare geluiden te maken, heet te worden of te stinken, stop dan onmiddellijk met het gebruik, haal de stekker uit het stopcontact en maak alle andere kabels los.
- \* Als het racestuur langere tijd niet wordt gebruikt, haal dan de stekker uit het stopcontact.
- \* Het stopcontact moet in de buurt van de apparatuur zijn en moet goed bereikbaar zijn.



Gebruik geen andere voedingsadapter dan die vermeld is in de gebruiksinstructies.

### Informatie voor voedingsadapter

Gepubliceerde informatie	Waarde	Eenheid
Naam of handelsmerk van fabrikant, commercieel inschrijvingsnummer en adres	<b>GUILLEMOT CORPORATION S.A.</b> 414 196 758 Rennes Place du Granier BP 97143 35571 Chantepie Cedex Frankrijk	
Modelidentificatie	<b>A481-1852590D</b>	
Ingangsvoltage	<b>100-240</b>	V
Ingangswisselstroomfrequentie	<b>50-60</b>	Hz
Uitgangsvoltage	<b>18,5</b>	V DC
Uitgangsstroom	<b>2,6</b>	A
Uitgangsvermogen	<b>47,9</b>	W
Gemiddelde actieve efficiëntie	<b>87,8</b>	%
Efficiëntie bij lage belasting (10%)	<b>87,8</b>	%
Onbelast stroomverbruik	<b>0,10</b>	W



## **Ventilatieopeningen**

Blokkeer nooit de ventilatieopeningen op de voet van het stuur. Aanwijzingen voor optimale ventilatie:

- \* Plaats de voet van het stuur minimaal 10 cm van een muur.
- \* Plaats de voet niet in een krappe ruimte.
- \* Leg nooit iets over de voet heen.
- \* Zorg dat de ventilatieopeningen stofvrij blijven.



**Om veiligheidsredenen mogen de pedalen nooit met blote voeten worden bediend of met alleen sokken aan.**

**THRUSTMASTER® WIJST ELKE VERANTWOORDELIJKHEID AF IN GEVAL VAN LETSEL ALS GEVOLG VAN HET GEBRUIK VAN DE PEDAALSET ZONDER SCHOENEN AAN TE HEBBEN.**



## **Waarschuwing – Mogelijk letsel ten gevolge van Force Feedback en repetitieve bewegingen**

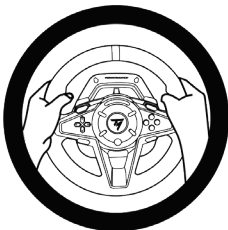
Gamen met een Force Feedback-stuur kan leiden tot pijn in de gewrichten of de spieren. Hoe problemen te voorkomen:

- \* Vermijd langdurige gamesessies.
- \* Neem na elk uur gamen een pauze van 10 tot 15 minuten.
- \* Stop met gamen bij gevoel van vermoeidheid of pijn in handen, polsen, armen, voeten of benen, en rust een paar uur voordat u weer verder gaat met gamen.
- \* Stop met gamen als de beschreven symptomen van pijn of ongemak blijven aanhouden tijdens het gamen en raadpleeg een huisarts.
- \* Houd het stuur, de voet en de pedaalset buiten het bereik van kinderen.
- \* Houd tijdens het gamen altijd twee handen in de juiste stand aan het stuur en laat het stuur nooit helemaal los.
- \* Zorg er tijdens het gamen voor dat handen of vingers nooit in de buurt van of onder de pedalen of de pedaalset komen.
- \* Steek tijdens het kalibreren en gamen nooit een vinger, hand of arm door de openingen van het racestuur.
- \* Zorg er voor dat de voet van het racestuur stevig vast zit, zoals beschreven in deze handleiding.



Dit product mag alleen worden verplaatst door gebruikers van 14 jaar of ouder

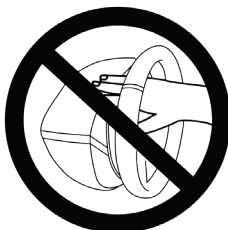
ALTIJD



NOOIT



NOOIT



**Waarschuwing – Pedaalset beknellingsgevaar bij gebruik**

- \* Houd de pedaalset buiten het bereik van kinderen.
- \* Houd tijdens het gamen nooit uw vingers op of in de buurt van de zijkant van de pedalen.
- \* Houd tijdens het gamen nooit uw vingers op of in de buurt van de achterkant van de pedalen.
- \* Houd tijdens het gamen nooit uw vingers op of in de buurt van de voorkant van de pedalen.

NOOIT



NOOIT



NOOIT



**Waarschuwing – Pedaalset beknellingsgevaar wanneer niet wordt gebruikt**

- \* Berg de pedaalset op een veilige plaats op, buiten het bereik van kinderen.

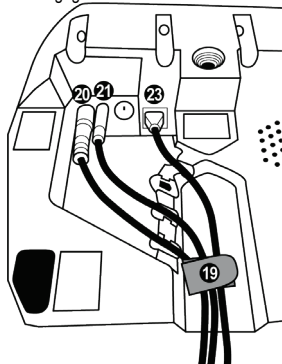
## HET RACESTUUR BEVESTIGEN

### Het racestuur op een tafel of werkblad bevestigen

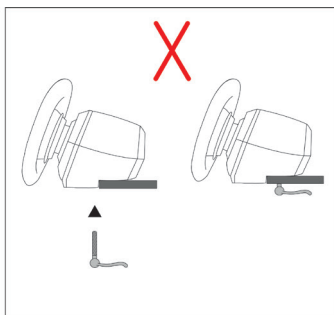
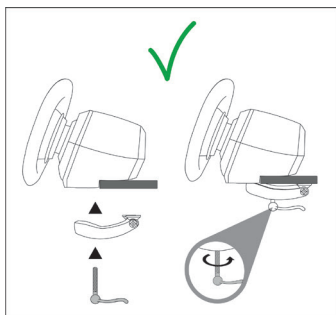
Begin met het aansluiten op de onderkant van het stuur, van:

- de voedingsadapter (20);
- de Quick Release USB-C-kabel (17a) naar de USB-C-connector (21);
- de T2PM-pedaalset (23).

Leg de verschillende kabels zoals aangegeven en maak de kabels vast in de kabelhouder (19).



1. Plaats het racestuur op een tafel of een ander horizontaal, vlak en stabiel oppervlak.
2. Steek de bevestigingsbout (14) in het bevestigingssysteem (13) en draai de bout aan (tegen de klok in) zodat deze vast komt te zitten in het schroefgat (18) onder het racestuur en het stuur volledig stabiel is.



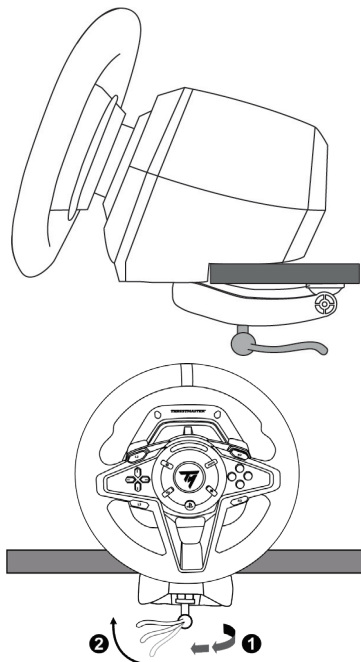
**WAARSCHUWING:** Draai de bout niet in het racestuur zonder dat het bevestigingssysteem op zijn plek zit!  
Anders kunt u het racestuur beschadigen.

**BEVESTIGEN /  
VERWIJDEREN**

**RICHTING**

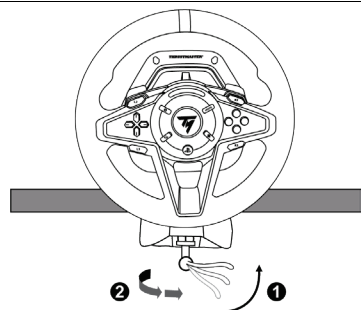
**Vastdraaien:**

*Draai de bout  
tegen de wijzers  
van de klok in*



**Losdraaien:**

*Draai de bout  
met de wijzers  
van de klok mee*



## INSTALLATIE

### RACESTUUR EN PEDAAALSET AUTOMATISCH KALIBREREN

Het stuur kalibreert zichzelf automatisch wanneer u het stuur op een stopcontact aansluit en de USB-connector van het stuur op de PlayStation®5-console, de PlayStation®4-console of de PC aansluit. Tijdens deze kalibratie zal het stuur snel 900 graden linksom en rechtsom draaien voordat het stopt in de middenstand.



#### **WAARSCHUWING:**

**Raak het stuur niet aan tijdens het automatisch kalibreren.**

***(Raakt u het stuur toch aan, dan kan dit leiden tot onjuiste kalibratie en/of persoonlijk letsel).***

Sluit de pedaalsset nooit aan op de voet van het racestuur of koppel deze nooit los van de voet terwijl het is aangesloten op de PlayStation® console of op de PC of tijdens het gamen. Doet u dit toch, dan kan dat leiden tot een onjuiste kalibratie.

Sluit altijd eerst de pedaalsset aan voordat u het racestuur aansluit op de PlayStation®5-console, de PlayStation®4-console of de PC.

Nadat de kalibratie van het racestuur gereed is en de game gestart is, zijn de pedalen automatisch gekalibreerd na een paar keer intrappen.



#### **WAARSCHUWING:**

**Trap de pedalen nooit in**

**tijdens het zelfkalibreren van het stuur of tijdens het laden van een game.**

***(Dit kan leiden tot een onjuiste kalibratie).***

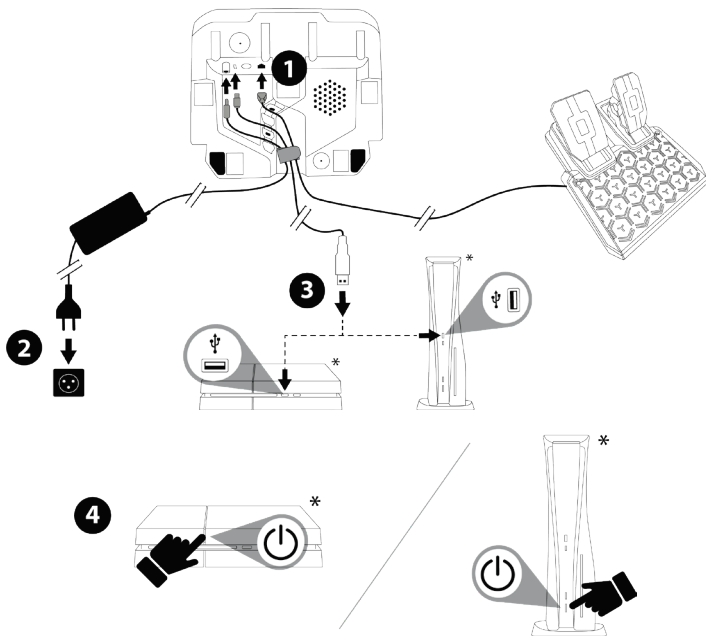
**Als het racestuur en de pedaalsset niet goed werken, of niet goed gekalibreerd lijken te zijn:**

- Zet uw console of PC uit en haal alle aansluitingen van het stuur los. Sluit daarna alle kabels weer aan, inclusief de voedingskabel en de pedaalsset, en herstart uw console (of PC) en de game.
- Configureer de pedaalsset opnieuw in de **standaardmodus** met behulp van de procedure die verderop in deze handleiding wordt beschreven (pagina 16).



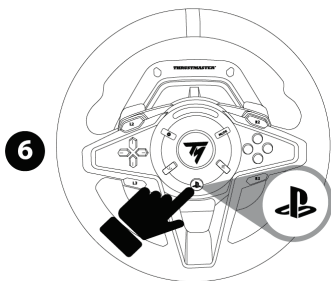
## INSTALLATIE OP PLAYSTATION®4-CONSOLES OF PLAYSTATION®5-CONSOLES

1. Sluit de T2PM-pedaalset aan op de RJ12-connector (23) van de voet.
2. Sluit de voedingsadapter aan op een stopcontact.
3. Sluit de USB-C-kabel (17a) aan op de USB-C-poort (21) van de voet.  
Sluit de USB-A-kabel (17b) aan op een USB-A-connector op de PS4™-console of de PS5™-console.
4. Zet uw PlayStation®4-console of PlayStation®5-console aan. Het racestuur kalibreert zichzelf nu automatisch.



\*Niet meegeleverd

5. Selecteer indien nodig de game-MODUS waarin u wilt gamen via de procedure verder op in deze handleiding (pagina 15) beschreven.
6. Druk op de PS-knop (11) van het racestuur en meld u aan op uw PlayStation™Network-account om het racestuur te laten functioneren.



***Nu kan er gespeeld worden!***

EN

FR

DE

NL

IT

ES

PT

RU

CS

TR

PL

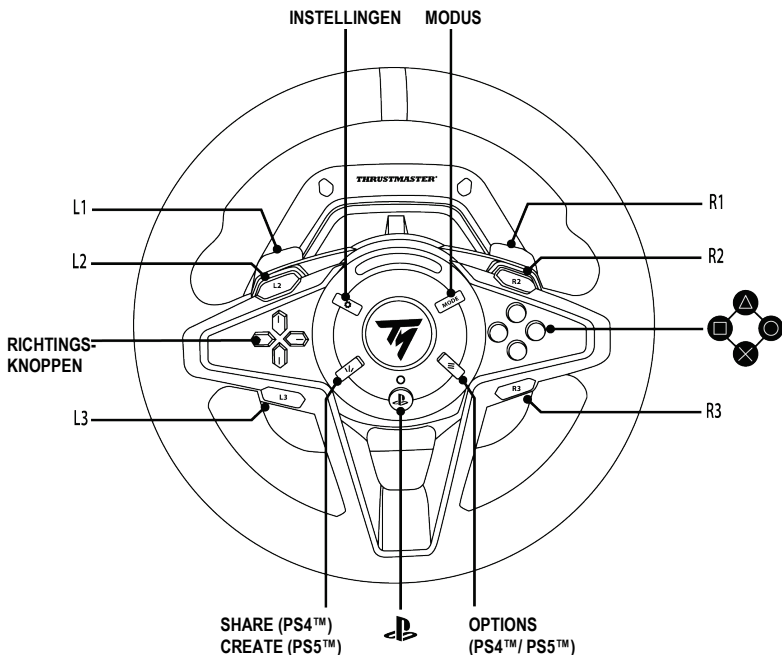
日本語

繁體中文

한국어

العربية

## MAPPING VOOR PLAYSTATION®4-CONSOLES OF PLAYSTATION®5-CONSOLES



### Opmerkingen over PS4™-consoles of PS5™-consoles:

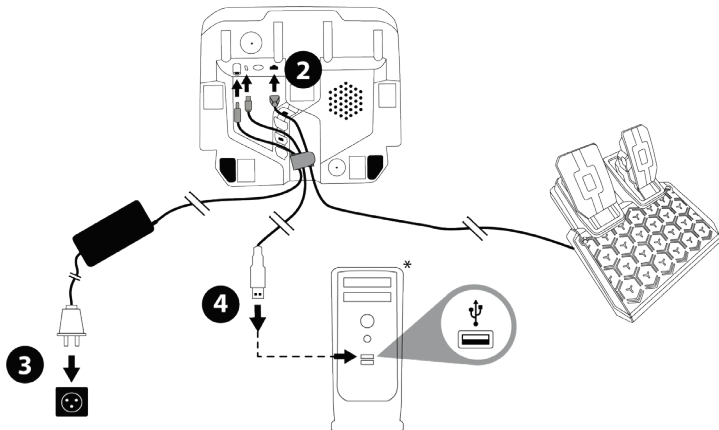
- Het racestuur wordt in games herkend als een Thrustmaster T-GT-stuur of een Thrustmaster Advanced Racer-stuur.
- De 4 RPM-LED's voor het motortoerental (7) werken in games compatibel met de Thrustmaster SDK. Een overzicht van compatibele games is beschikbaar op: <https://support.thrustmaster.com> (in de sectie **Racesturen / T128 / Games-instellingen**). Deze lijst wordt regelmatig bijgewerkt.
- De lijst met games op de PlayStation®4-consoles en PlayStation®5-consoles die compatibel zijn met het T128-racestuur is hier beschikbaar: <https://support.thrustmaster.com> (in de sectie **Racesturen / T128 / Games-instellingen**). Deze lijst wordt regelmatig bijgewerkt.

## INSTALLATIE OP DE PC\*

\* PC-compatibiliteit (Windows® 10/11) niet getest of niet ondersteund door Sony Interactive Entertainment.

1. Ga naar <https://support.thrustmaster.com> en download de drivers en de Force Feedback-software voor de PC. Klik op **Racesturen / T128 / Drivers**.
2. Sluit de T2PM-pedaalset aan op de RJ12-connector (23) van de voet.
3. Sluit de voedingsadapter aan op een stopcontact.
4. Sluit de USB-C-kabel (17a) aan op de USB-C-poort (21) van de voet.
5. Sluit de USB-A-kabel (17b) aan op de USB-A-connector van de PC.

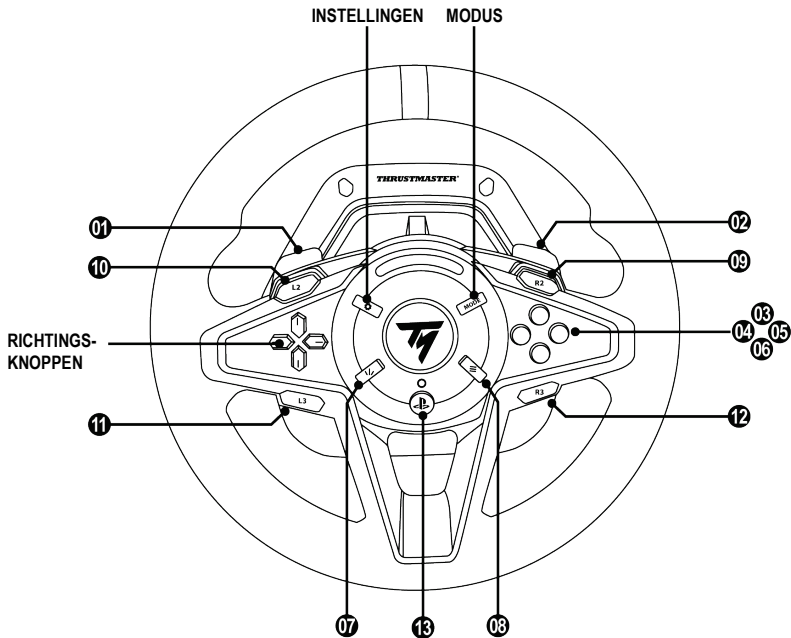
Het racestuur kalibreert zichzelf nu automatisch.



6. Kies **Start / Thrustmaster / FFB-racestuur / Configuratiescherm** om het venster **Spelbesturingen** te openen. Het venster **Spelbesturingen** geeft **Thrustmaster Advanced Mode Racer** weer als naam voor het racestuur samen met de status **OK**.
7. Klik op **Eigenschappen** om uw racestuur te configureren in het T128-configuratiescherm:

- **Tabblad Testapparaat:** hiermee kunt u de actieknoppen, richtingsknoppen en assen voor het racestuur testen en bekijken (en ook de assen voor de pedaalset). Ook kunt u draaihoek van het racestuur in uw PC-games aanpassen.
- **Tabblad Testkrachten:** hiermee kunnen 12 Force Feedback-effecten worden getest.
- **Tabblad Krachten aanpassen:** hiermee kan de kracht van de Force Feedback-effecten in uw PC-games worden aangepast.

## PC-MAPPING



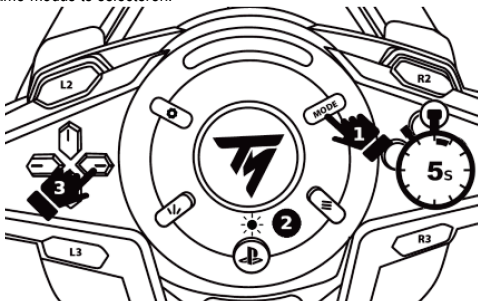
### Opmerkingen voor PC-gebruik:


- In het configuratiescherm en in games wordt het racestuur herkend als **Thrustmaster Advanced Mode Racer**.
- Denk er aan dat u het venster **Spelbesturingen** helemaal moet sluiten door op **OK** te klikken voordat u een game start.
- De instellingen en aanpassingen gemaakt in het venster **Spelbesturingen** worden alleen op uw PC opgeslagen (en hebben dus geen effect op de PS4™-consoles of PS5™-consoles).
- De firmwareversie van uw racestuur wordt weergegeven in de rechterbovenhoek op de tabbladen van het configuratiescherm van de T128.
- De 4 RPM-LED's voor het motortoerental (**7**) werken in PC-games compatibel met de Thrustmaster SDK. Een overzicht van compatibele games is beschikbaar op: <https://support.thrustmaster.com> (in de sectie **Racesturen / T128 / Games-instellingen**). Deze lijst wordt regelmatig bijgewerkt.

## DE GAME-MODUS SELECTEREN

### Procedure:

1. Houd de MODE-knop (8) 5 seconden ingedrukt totdat de LED (10) boven de PS-knop begint te knippen.
2. Zonder de MODE-knop (8) los te laten, drukt u nu gelijktijdig op de rechtoprichtingsknop (4) om de gewenste game-modus te selecteren.



LED-KLEUR 	GAME-MODUS
BLAUW	PLAYSTATION® STANDAARDCOMPATIBILITEIT (standaardmodus)
ROOD	PLAYSTATION® TOEKOMSTIGE COMPATIBILITEIT
GROEN	PC

Laat de knoppen los zodra de game-modus is geselecteerd. Uw selectie is opgeslagen in het interne geheugen van het racestuur. Het racestuur herstart en kalibreert zichzelf.

### Opmerkingen:

- Op PlayStation®4-consoles en PlayStation®5-consoles: na de zelfkalibratie is het T128-racestuur pas functioneel als u op de PS-knop (11) drukt en u zich aanmeldt op uw PlayStation™Network-account.
- De lijst met games compatibel met de PlayStation®4-console en de PlayStation®5-console en het T128-racestuur (en de betreffende game-MODUS) is hier beschikbaar: <https://support.thrustmaster.com> (in de sectie **Racesturen / T128 / Games-instellingen**). Deze lijst wordt regelmatig bijgewerkt.

## MODUS VOOR PEDAALSET

(Wordt weergegeven elke keer dat het racestuur opnieuw start)

Telkens wanneer het racestuur opnieuw start (en na zelfkalibratie), geven de 4 RPM-LED's (7) de modus (positie en type) aan waarin uw pedaalsset is geconfigureerd.

### Positie:

- **NORMAAL: standaardpositie;**
- of **OMGEKEERD:** in deze positie zijn het gaspedaal en het koppelingspedaal omgekeerd. Deze positie is alleen mogelijk met een pedaalsset met 3 pedalen.

### Type:

- of **T2PM-T3PA-T3PM** zonder Load Cell-technologie: **standaardtype;**
- of **T-LCM** met Load Cell-technologie

MODUS VOOR PEDAALSET	KNIPPEREN VAN RPM-LED'S (7)
<b>STANDAARDMODUS</b> - NORMAAL-positie - Type T2PM-T3PA-T3PM	<b>STANDAARDMODUS</b> 
- NORMAAL-positie - Type T-LCM	
- OMGEKEERD-positie - Type T2PM-T3PA-T3PM	
- OMGEKEERD-positie - Type T-LCM	

## DE PEDAALSET OPNIEUW CONFIGUREREN IN DE STANDAARDMODUS (Uit te voeren als uw pedaalsset niet goed werkt)

### Procedure:

- Druk **SNEL 8 keer** op de **INSTELLINGEN-knop (6)** .



De 4 RPM-LED's (7) knipperen 5 keer tegelijk om de herconfiguratie in de standaardmodus aan te geven.





## DE POSITIES VAN DE PEDALEN OMKEREN (Als u een pedaalset met 3 pedalen gebruikt)

Het T128-racestuur wordt standaard geleverd met de T2PM-pedaalset met 2 pedalen. Dit racestuur is ook compatibel met de Thrustmaster T3PA-, T3PM- en T-LCM-pedaalsets met 3 pedalen (apart verkrijgbaar).

Als u een pedaalset met 3 pedalen gebruikt, is het mogelijk om de gas- en koppelpedalen elektronisch om te keren.

### Procedure:

Houd de **INSTELLINGEN**-knop (6) 5 seconden ingedrukt.



De omkering van de posities van de pedalen wordt onmiddellijk opgeslagen in het interne geheugen van het racestuur en één van de 4 RPM-LED's (7) knippert 3 keer om de geselecteerde positie aan te geven.

GASPEDAAL EN KOPPELINGSPEDAAL	KNIPPEN VAN RPM-LED'S (7)
<b>STANDAARDMODUS</b> - NORMAAL-positie	A diagram of three pedals. The leftmost pedal is highlighted in green. A circular icon with '3x' indicates that the RPM-LED will blink 3 times.
- OMGEKEERD-positie	A diagram of three pedals. The middle pedal is highlighted in orange. A circular icon with '3x' indicates that the RPM-LED will blink 3 times.

# HANDMATIG DE PEDAALSET OMZETTEN VAN HET TYPE T2PM-T3PA-T3PM NAAR HET TYPE T-LCM (en vice versa)

Standaard staat de pedaalset ingesteld op het type **T2PM-T3PA-T3PM**.

Deze modus wordt opgeslagen in het interne geheugen van de voet van het racestuur en blijft altijd ingeschakeld, behalve als u een T-LCM-pedaalset aansluit op de RJ12-poort of als u de modus handmatig omzet.

## Procedure:

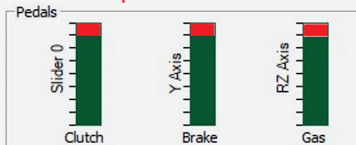
- Houd tegelijkertijd de **INSTELLINGEN**-knop (6) en de **linkerschakelflipper** (-) 5 seconden ingedrukt.



MODUS	KNIPPEN VAN RPM-LED'S (7)
<b>STANDAARDMODUS</b> - Type T2PM-T3PA-T3PM	
- Type T-LCM	



**De T2PM-, T3PA- en T3PM-pedaalsets werken niet goed met het T-LCM-type.  
De waarden van de pedalen bereiken de 100% niet meer.**



**Om weer goed te functioneren (en 100% te bereiken), moet u de modus voor de voet van het racestuur handmatig instellen op het type T2PM-T3PA-T3PM.**

## HANDMATIG DE DRAAIHOEK WIJZIGEN VIA HET RACESTUUR (alleen mogelijk in games waarin de draaihoek niet automatisch wordt aangepast)

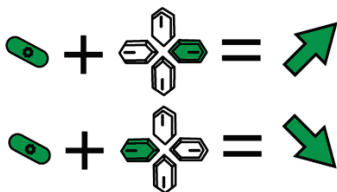
Het T128-racestuur heeft een draaihoek die instelbaar is tussen 270° en 900°.

In veel games is de draaihoek van het racestuur automatisch en past deze zichzelf aan het gebruikte voertuig aan. In deze games is het niet mogelijk om deze draaihoek handmatig te wijzigen, omdat deze functie wordt beheerd door de game en niet door de gebruiker.

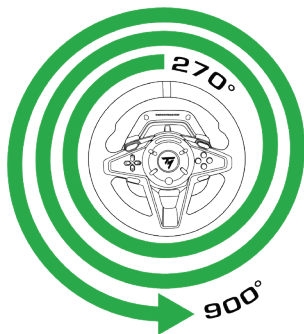
In andere games is het mogelijk om de draaihoek handmatig direct op het racestuur te wijzigen.

### Procedure:

- Druk tegelijkertijd op de **INSTELLINGEN-knop (6)** en de **rechterraichtingsknop(4)** om de draaihoek met één stap te **vergroten**; of
- Druk tegelijkertijd op de **INSTELLINGEN-knop (6)** en de **linkerrichtingsknop (4)** om de draaihoek met één stap te **verkleinen**.



4 mogelijke niveaus	
Geselecteerde draaihoek	RPM-LED'S (7)
270°	
360°	
540°	
900°	



**Opmerking:** De draaihoek die handmatig via het racestuur wordt aangepast, wordt niet permanent opgeslagen. Deze procedure moet worden uitgevoerd telkens wanneer de game of het racestuur opnieuw wordt opgestart.

## ANDERE FUNCTIONALITEITEN MET BETREKKING TOT DE INSTELLINGEN-KNOP (6)

Ga naar <https://support.thrustmaster.com>.

Klik op **Racesturen / T128** en selecteer **Handleiding** of **FAQ**.

## DE FIRMWARE VAN HET STUUR BIJWERKEN

Ga naar <https://support.thrustmaster.com>.

Klik op **Racesturen / T128 / Firmware** en volg de instructies.

## TIPS EN FAQ's

Ga naar <https://support.thrustmaster.com>.

Klik op **Racesturen / T128** en **Handleiding** of **FAQ**.

EN

FR

DE

NL

IT

ES

PT

RU

CS

TR

PL

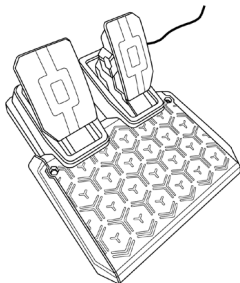
日本語

繁體中文

한국어

العربية

# T2PM-PEDAALSET



## WAARSCHUWING

Lees, voordat u dit product gebruikt, deze handleiding zorgvuldig door en bewaar hem om hem eventueel op een later tijdstip te kunnen raadplegen.



Om veiligheidsredenen mogen de pedalen nooit met blote voeten worden bediend of met alleen sokken aan.

**THRUSTMASTER® WIJST ELKE VERANTWOORDELIJKHEID AF IN GEVAL VAN LETSEL ALS GEVOLG VAN HET GEBRUIK VAN DE PEDAALSET ZONDER SCHOENEN AAN TE HEBBEN.**



### Waarschuwing – Pedaalset beknellingsgevaar bij gebruik

- \* Houd de pedaalset buiten het bereik van kinderen.
- \* Houd tijdens het gamen nooit uw vingers op of in de buurt van de zijkanten van de pedalen.
- \* Houd tijdens het gamen nooit uw vingers op of in de buurt van de achterkant van de pedalen.
- \* Houd tijdens het gamen nooit uw vingers op of in de buurt van de voorkant van de pedalen.

**NOOIT**



**NOOIT**



**NOOIT**

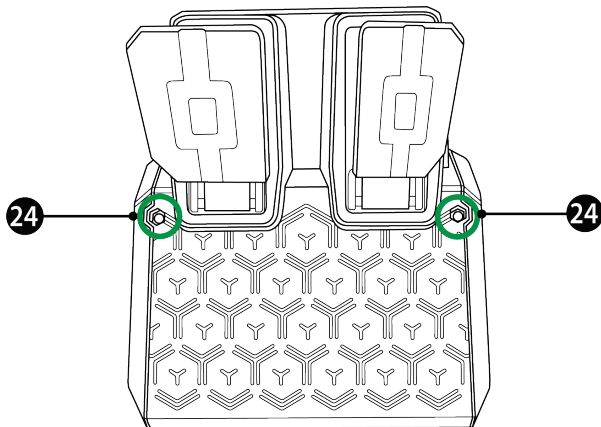


### Waarschuwing – Pedaalset beknellingsgevaar wanneer niet wordt gebruikt

- \* Berg de pedaalset op een veilige plaats op, buiten het bereik van kinderen.

## DE PEDAALSET AAN EEN STEUN OF COCKPIT BEVESTIGEN

De pedaalset kan worden bevestigd aan een verscheidenheid van verschillende steunen (afzonderlijk verkrijgbaar) met behulp van de twee openingen (24) aan weerszijden van de pedaalset.



**Als het racestuur en de pedaalset niet goed werken, of niet goed gekalibreerd lijken te zijn:**

Zet uw console of PC uit en haal alle aansluitingen van het stuur los. Sluit daarna alle kabels weer aan, inclusief de voedingskabel en de pedaalset, en herstart uw console (of PC) en de game.

## **Informatie met betrekking tot kopersgarantie**

Wereldwijd garandeert Guillemot Corporation S.A., het statutair adres gevestigd aan de Place du Granier, B.P. 97143, 35571 Chantepie, Frankrijk, (hierna te noemen "Guillemot") aan de koper dat dit Thrustmaster-product vrij zal zijn van materiaal- en fabricagefouten gedurende een garantieperiode gelijk aan de tijd maximaal vereist om een restitutie/vervangning voor dit product te claimen. In landen van de Europese Unie komt dit overeen met een periode van twee (2) jaar vanaf het moment van levering van het Thrustmaster-product. In andere landen komt de garantieperiode overeen met de tijd maximaal vereist om een restitutie/vervangning voor dit Thrustmaster-product te claimen zoals wettelijk is vastgelegd in het land waarin de koper woonachtig was op de datum van aankoop van het Thrustmaster-product. Indien een dergelijk claimrecht niet wettelijk is vastgelegd in het betreffende land, geldt een garantieperiode van één (1) jaar vanaf datum aankoop van het Thrustmaster-product. Indien u in de garantieperiode een defect meent te constateren aan dit product, neem dan onmiddellijk contact op met Technical Support die u zal informeren over de te volgen procedure. Als het defect wordt bevestigd, dient het product te worden geretourneerd naar de plaats van aankoop (of een andere locatie die wordt opgegeven door Technical Support).

Binnen het gestelde van deze garantie wordt het defecte product van de koper gerepareerd of vervangen, zulks ter beoordeling van Technical Support. Indien het Thrustmaster-product tijdens de garantieperiode is onderworpen aan een dergelijk herstel, wordt elke periode van ten minste zeven (7) dagen waarin het product niet in gebruik is, opgeteld bij de resterende garantieperiode (deze periode loopt vanaf de datum van verzoek van de consument voor interventie of vanaf de datum waarop het product in kwestie beschikbaar is gesteld voor herstel als de datum waarop het product ter beschikking wordt gesteld voor herstel later is dan de datum van het verzoek om interventie). Indien toegestaan door van toepassing zijnde wetgeving, beperkt de volledige aansprakelijkheid van Guillemot en haar dochterondernemingen (inclusief de aansprakelijkheid voor vervolgschade) zich tot het repareren of vervangen van het Thrustmaster-product. Indien toegestaan door van toepassing zijnde wetgeving, wijst Guillemot elke garantie af met betrekking tot verhandelbaarheid of geschiktheid voor enig doel.

Deze garantie is niet van kracht: (1) indien het product aangepast, geopend of gewijzigd is, of beschadigd is ten gevolge van oneigenlijk of onvoorzichtig gebruik, verwaarlozing, een ongeluk, normale slijtage, of enige andere oorzaak die niet gerelateerd is aan een materiaal- of fabricagefout (inclusief maar niet beperkt tot het combineren van het Thrustmaster-product met enig ongeschikt element waaronder in het bijzonder voedingsadapters, oplaadbare batterijen, opladers of enig ander element niet geleverd door Guillemot voor dit product); (2) als het product is gebruikt voor enig ander doel dan thuisgebruik, zoals maar niet exclusief een professioneel of commercieel doel (bijvoorbeeld game rooms, training, wedstrijden); (3) indien u zich niet houdt aan de instructies zoals verstrekt door Technical Support; (4) op software die onder een specifieke garantie valt; (5) op verbruiksartikelen (elementen die tijdens de levensduur van het product worden vervangen zoals bijvoorbeeld batterijen of pads van een headset of koptelefoon); (6) op accessoires (zoals bijvoorbeeld kabels, behuizingen, hoesjes, etui's, draagtassen of polsbandjes); (7) indien het product werd verkocht op een openbare veiling.

Deze garantie is niet overdraagbaar.

De wettelijke rechten van de koper die in zijn/haar land van toepassing zijn op de verkoop van consumentproducten worden op generlei wijze door deze garantie beperkt.

### Aanvullende garantiëbepalingen

GEDURENDE DE GARANTIEPERIODE ZAL GUILLEMOT IN PRINCIPLE NOOIT RESERVEONDERDELEN LEVEREN OMDAT TECHNICAL SUPPORT DE ENIGE PARTIJ IS DIE BEVOEGD IS EEN THRUSTMASTER-PRODUCT TE OPENEN EN/OF TE HERSTELLEN (MET UITZONDERING VAN EEN HERSTELPROCEDURE DIE DE KLANT DOOR TECHNICAL SUPPORT GEVRAAGD WORDT UIT TE VOEREN MET BEHULP VAN SCHRIFTELIJKE INSTRUCTIES – OMDAT DEZE PROCEDURE BIJVOORBEELD EENVOUDIG IS EN HET HERSTELPROCES NIET VERTROUWELIJK IS – EN DOOR HET VERSTREKKEN AAN DE CONSUMENT VAN DE BENODIGDE ONDERDELEN, INDIEN VAN TOEPASSING).

GEZIEN DE INNOVATIECYCLI EN OM HAAR KNOWHOW EN HANDELSGEHEIMEN TE BESCHERMEN, ZAL GUILLEMOT IN PRINCIPLE NOOIT EEN HERSTELBESCHRIJVING OF RESERVEONDERDELEN VERSTREKKEN VOOR EEN THRUSTMASTER-PRODUCT WAARVAN DE GARANTIEPERIODE IS VERSTREKEN.

### Aansprakelijkheid

INDIEN TOEGESTAAN DOOR VAN TOEPASSING ZIJNDE WETGEVING, WIJZEN GUILLEMOT CORPORATION S.A. (HIerna TE NOEMEN "GUILLEMOT") EN HAAR DOCHTERONDERNEMINGEN ALLE AANSPRAKELIJKHEID AF VOOR ENIGE SCHADE VERORZAAKT DOOR ÉÉN VAN DE VOLGENDE OORZAKEN: (1) INDIEN HET PRODUCT Aangepast, geopend of gewijzigd is; (2) de montage-instructies niet zijn opgevolgd; (3) oneigenlijk of onvoorzichtig gebruik, verwaarlozing, een ongeluk (bijvoorbeeld stoten); (4) normale slijtage; (5) het gebruik van het product voor enig ander doel dan thuisgebruik, zoals maar niet exclusief een professioneel of commercieel doel (bijvoorbeeld game rooms, training, wedstrijden). INDIEN TOEGESTAAN ONDER VAN TOEPASSING ZIJNDE WETGEVING, WIJZEN GUILLEMOT EN HAAR DOCHTERONDERNEMINGEN ALLE AANSPRAKELIJKHEID AF VOOR ENIGE SCHADE AAN DIT PRODUCT NIET GERELATEERD AAN EEN MATERIAAL- OF FABRICAGEFOUT (INCLUSIEF MAAR NIET BEPERKT TOT ENIGE SCHADE DIRECT OF INDIRECT VERORZAAKT DOOR ENIGE SOFTWARE, OF DOOR HET COMBINEREN VAN HET THRUSTMASTER-PRODUCT MET ENIG ONGESCHIKT ELEMENT WAARONDER IN HET BIJZONDER VOEDINGSADAPTERS, OPLAADBARE BATTERIJEN, OPLADERS OF ENIG ANDER ELEMENT NIET GELEVERD DOOR GUILLEMOT VOOR DIT PRODUCT).

**THRUSTMASTER®**

TECHNISCHE ONDERSTEUNING

<https://support.thrustmaster.com>





## COPYRIGHT

©2022 Guillemot Corporation S.A. Alle rechten voorbehouden. Thrustmaster® is een geregistreerd handelsmerk van Guillemot Corporation S.A. Gefabriceerd en gedistribueerd door Guillemot Corporation S.A. Alle andere handelsmerken en merknamen worden hierbij erkend en zijn eigendom van de respectieve eigenaren. Inhoud, ontwerp en specificaties kunnen zonder voorafgaande kennisgeving worden gewijzigd en kunnen per land verschillen. Aan foto's en illustraties kunnen geen rechten worden ontleend. Ontworpen in Europa en Noord-Amerika. Gefabriceerd in China. Voor exclusief gebruik met PlayStation®5-consoles en PlayStation®4-consoles.

"PS", "PlayStation", "PS5", "PS4" en het "PlayStation Shapes Logo" zijn geregistreerde handelsmerken of handelsmerken van Sony Interactive Entertainment Inc. Alle rechten voorbehouden. Alle andere handelsmerken zijn het eigendom van hun respectieve eigenaren. Geproduceerd en gedistribueerd door Guillemot Corporation S.A. onder licentie van Sony Interactive Entertainment LLC.

## AANBEVELINGEN VOOR DE BESCHERMING VAN HET MILIEU



\* In de Europese Unie, het Verenigd Koninkrijk en Turkije: gooi dit product na het einde van de levensduur niet weg met het normale afval, maar breng het naar het door uw gemeente aangewezen inzamelpunt voor elektrische en/of computerapparatuur.

Ter herinnering is hiertoe op het product, de gebruikshandleiding of de verpakking een symbool aangebracht.

De meeste materialen kunnen worden gerecycled. Door recycling en andere methoden voor verantwoorde verwerking van afgedankte elektrische en elektronische apparaten kunt u een belangrijke bijdrage leveren aan de

bescherming van het milieu.

Neem contact op met uw gemeente voor informatie over een inzamelpunt bij u in de buurt.

In alle andere landen: houd u aan de plaatselijk milieuwetgeving voor elektrische en elektronische apparaten.

Bewaar deze informatie. De kleuren en decoraties kunnen variëren.

Plastic bevestigingen en hechtmaterialen moeten van het product worden verwijderd voordat het wordt gebruikt.

**[www.thrustmaster.com](http://www.thrustmaster.com)**

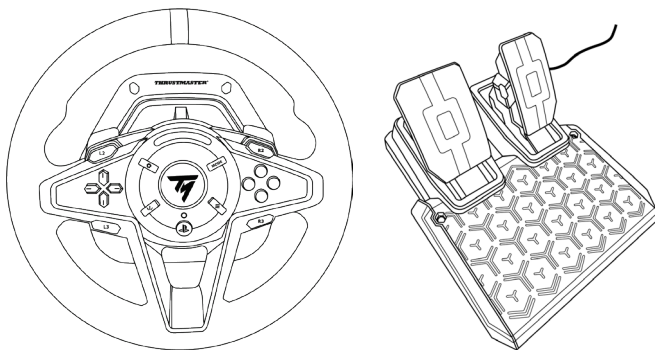
*\*Alleen van toepassing in de EU, het VK en Turkije*



# T128

Per console PlayStation®5, console PlayStation®4 e PC\*

Manuale d'uso



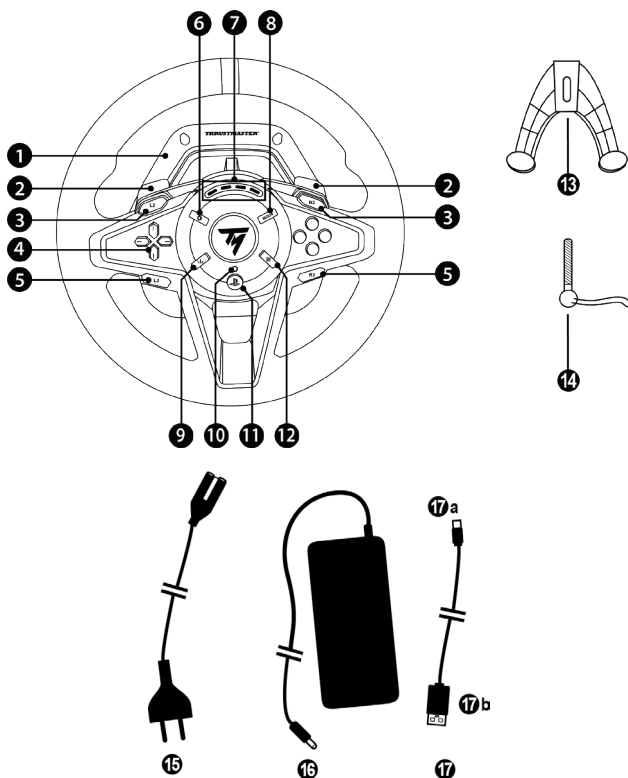
## **ATTENZIONE:**

Per esser certo che il tuo volante T128 funzioni correttamente nei giochi per console PlayStation®5, console PlayStation®4 o PC, potrebbe esserti richiesto di installare gli aggiornamenti automatici del gioco

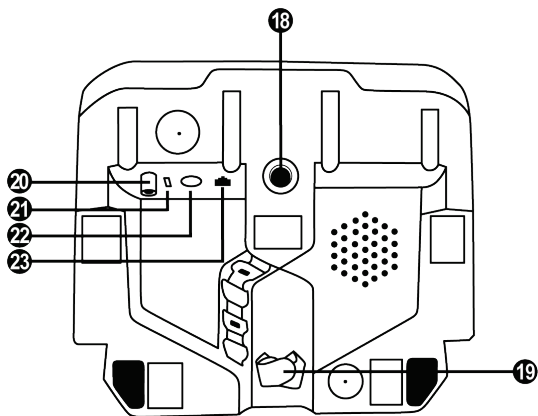
*(disponibili quando la tua console o il tuo PC risultano connessi a internet).*

\*La compatibilità PC (Windows® 10/11) non è stata testata né avallata da Sony Interactive Entertainment.

## CARATTERISTICHE TECNICHE



- |   |   |    |   |
|---|---|----|---|
| 1 | Base T128   | 10 | LED modalità gioco (blu, rosso o verde)         |
| 2 | 2 leve del cambio magnetiche (+ e -)                              | 11 | Pulsante PS                                     |
| 3 | Pulsanti L2 e R2  | 12 | Pulsante OPTIONS su console PS4™ e console PS5™ |
| 4 | Pulsanti direzionali  | 13 | Sistema di fissaggio                            |
| 5 | Pulsanti L3 e R3  | 14 | Vite di serraggio in metallo                    |
| 6 | Pulsante IMPOSTAZIONI   | 15 | Cavo di alimentazione (UE/USA/UK...)            |
| 7 | 4 LED giri/min (visualizzazione velocità motore)                  | 16 | Alimentatore                                    |
| 8 | Pulsante MODE   | 17 | Cavo USB: USB-C (17a) – USB-A (17b)             |
| 9 | Pulsante SHARE su console PS4™<br>Pulsante CREATE su console PS5™ |    |   |



**18** Ampio foro filettato (per sistema di fissaggio e vite di serraggio)

**19** Fermacavo con chiusura a strappo

**20** Connettore alimentatore

**21** Connettore USB-C del volante

**22** Connettore mini-DIN per cambio, freno a mano o hub Thrustmaster (venduti separatamente)

**23** Connettore RJ12 per pedaliera

## ATTENZIONE

Prima di utilizzare questo prodotto, leggi con attenzione il presente manuale e conservalo per future consultazioni.



### Attenzione – Shock elettrico

- \* Conserva questo prodotto in un luogo asciutto e non esporlo alla polvere o alla luce del sole.
- \* Non torcere e non tirare i connettori e i cavi.
- \* Non versare alcun liquido sul prodotto o sui relativi connettori.
- \* Non cortocircuitare il prodotto.
- \* Non smontare questo prodotto; non gettarlo nel fuoco e non esporlo alle alte temperature.
- \* Non usare un altro cavo di alimentazione oltre a quello fornito assieme al tuo volante.
- \* Non utilizzare il cavo di alimentazione qualora quest'ultimo o i relativi connettori dovessero risultare danneggiati, divisi o rotti.
- \* Assicurati che il cavo di alimentazione si ben inserita in una presa di corrente e correttamente connesso al connettore presente nella parte posteriore della base del volante.
- \* Non aprire il volante: all'interno non vi sono componenti utili all'utente. Qualunque riparazione dovrà essere effettuata dal produttore, da un suo rappresentante autorizzato o da un tecnico qualificato.
- \* Usa unicamente i sistemi di fissaggio/gli accessori indicati dal produttore.
- \* Qualora il volante non dovesse funzionare correttamente (se dovesse generare un qualunque suono inusuale, calore o odori), smetti immediatamente di utilizzarlo, scollega il cavo di alimentazione dal relativo connettore e scollega tutti gli altri cavi.
- \* Se pensi di non dover utilizzare il volante per un lungo periodo di tempo, scollega l'alimentatore dalla presa di corrente.
- \* La presa elettrica deve trovarsi nei pressi delle apparecchiature e deve risultare facilmente accessibile.



Utilizza esclusivamente l'alimentazione indicata nelle istruzioni.

### Informazioni per l'alimentatore

Informazione pubblicata	Valore	Unità
Nome o marchio del produttore, numero di registrazione commerciale e indirizzo	<b>GUILLEMOT CORPORATION S.A.</b> 414 196 758 Rennes Place du Granier BP 97143 35571 Chantepie Cedex Francia	
Identificativo modello	<b>A481-1852590D</b>	
Voltaggio in ingresso	<b>100 - 240</b>	V
Frequenza AC in ingresso	<b>50 - 60</b>	Hz
Voltaggio in uscita	<b>18,5</b>	V DC
Corrente in uscita	<b>2,6</b>	A
Potenza in uscita	<b>47,9</b>	W
Efficienza attiva media	<b>87,8</b>	%
Efficienza a basso carico (10%)	<b>87,8</b>	%
Consumo energetico in assenza di carico	<b>0,10</b>	W



### **Prese d'aria**

Accertati di non ostruire nessuna delle prese d'aria presenti nella base del volante. Per una ventilazione ottimale, attieniti alle seguenti indicazioni:

- \* Colloca la base ad almeno 10cm di distanza da ogni muro.
- \* Non collocare la base in uno spazio angusto.
- \* Non coprire la base.
- \* Non lasciare che la polvere si accumuli sulle prese d'aria.



**Per motivi di sicurezza, non utilizzare mai la pedaliera a piedi nudi  
o indossando solamente i calzini.**

**THRUSTMASTER® DECLINA OGNI RESPONSABILITÀ IN CASO DI INFORTUNI DERIVANTI  
DALL'USO DELLA PEDALIERA SENZA SCARPE.**



### **Attenzione – Infortuni derivanti dal force feedback e da movimenti ripetuti**

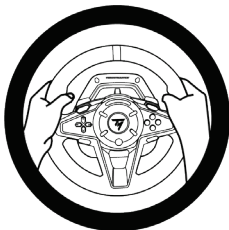
Giocare con un volante force-feedback potrebbe causare dolori muscolari o articolari. Per evitare qualsiasi problema:

- \* Evita di giocare per lunghi periodi di tempo.
- \* Prenditi 10-15 minuti di pausa per ogni ora di gioco.
- \* Qualora dovessi avvertire fatica o dolore a mani, polsi, braccia, piedi o gambe, smetti di giocare e riposati per alcune ore prima di ricominciare a giocare.
- \* Qualora i sintomi o il dolore sopradescritti dovessero persistere anche quando ricominci a giocare, smetti di giocare e consulta il tuo medico.
- \* Tenere lontano dalla portata dei bambini.
- \* Mentre giochi, mantieni sempre le mani sul volante in posizione corretta, senza mai lasciarlo andare completamente.
- \* Mentre giochi, non infilare mai le tue mani o le tue dita sotto ai pedali o in una qualsiasi posizione nei pressi della pedaliera.
- \* Durante la calibrazione e mentre giochi, non infilare mai la tua mano o il tuo braccio nelle aperture del volante.
- \* Assicurati che la base del volante sia ben fissata, così come indicato dalle istruzioni nel presente manuale.



Prodotto maneggiabile solo da utenti con un'età minima di 14 anni

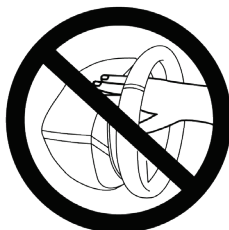
SEMPRE



MAI



MAI



**Attenzione – Rischio di schiacciamento da pedaliera mentre giochi**

- \* Tieni la pedaliera lontana dai bambini.
- \* Mentre giochi, non appoggiare mai le tue dita su o nei pressi dei lati dei pedali.
- \* Mentre giochi, non appoggiare mai le tue dita su o nei pressi della base posteriore dei pedali.
- \* Mentre giochi, non appoggiare mai le tue dita su o nei pressi della base anteriore dei pedali.

MAI



MAI



MAI



**Attenzione – Rischio di schiacciamento da pedaliera quando non giochi**

- \* Conserva la pedaliera in un posto sicuro e tienila lontana dalla portata dei bambini.

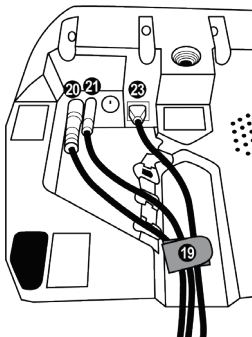
## FISSAGGIO DEL VOLANTE

### Fixare il volante a un tavolo o a una scrivania

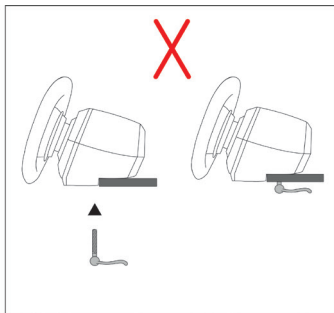
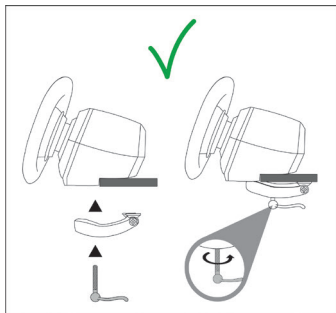
Inizia collegando, nella parte inferiore del volante:

- l'alimentatore (20);
- il cavo USB-C a rilascio rapido (17a) al connettore USB-C (21);
- la pedaliera T2PM (23).

Assicurati di far seguire ai vari cavi la relativa traccia e uniscili tra loro utilizzando l'apposito fermacavo a strappo (19).

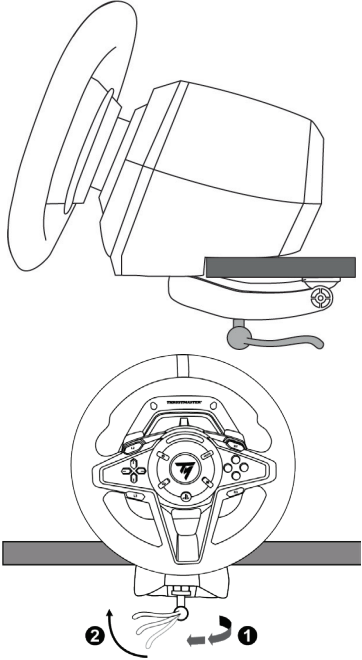
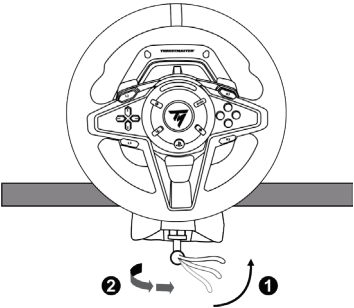


1. Colloca il volante su un tavolo o su una qualsiasi altra superficie orizzontale, piana e stabile.
2. Inserisci la vite di serraggio (14) nel sistema di fissaggio (13), dopodiché fissa la periferica girando la vite in senso antiorario, in modo tale che penetri nel foro grande filettato (18) presente sotto al volante, sino a quando il volante non risulti perfettamente stabile.



**ATTENZIONE:** Non stringere mai la vite senza aver posizionato il sistema di fissaggio!  
Ciò potrebbe danneggiare il volante.



FISSAGGIO / RIMOZIONE	DIREZIONE
<p><b><u>Per stringere:</u></b></p> <p><i>Gira la vite in senso antiorario</i></p>	
<p><b><u>Per allentare:</u></b></p> <p><i>Gira la vite in senso orario</i></p>	

# INSTALLAZIONE

## CALIBRAZIONE AUTOMATICA DI VOLANTE E PEDALIERA

Il volante si calibra automaticamente non appena viene collegato a una presa elettrica, collegando poi il connettore USB del volante alla console PlayStation®5, alla console PlayStation®4 o al PC.

Durante questa fase, il volante si muoverà rapidamente a destra e a sinistra, coprendo un angolo di 900 gradi, prima di fermarsi in posizione centrale.



### **ATTENZIONE:**

**Non toccare mai il volante durante la fase di auto-calibrazione!**  
***(Ciò potrebbe causare un'errata calibrazione e/o infortuni personali.)***

Non collegare mai la pedaliera alla base del volante (né scollegarla mai dalla base) mentre il volante è collegato alla console PlayStation® o al PC o mentre stai giocando (ciò potrebbe causare un'errata calibrazione).

Collega sempre la pedaliera prima di collegare il volante alla console PlayStation®5, alla console PlayStation®4 o al PC.

Una volta completata la calibrazione del volante e avviato il gioco, i pedali si auto-calibreranno dopo averli premuti alcune volte.



### **ATTENZIONE:**

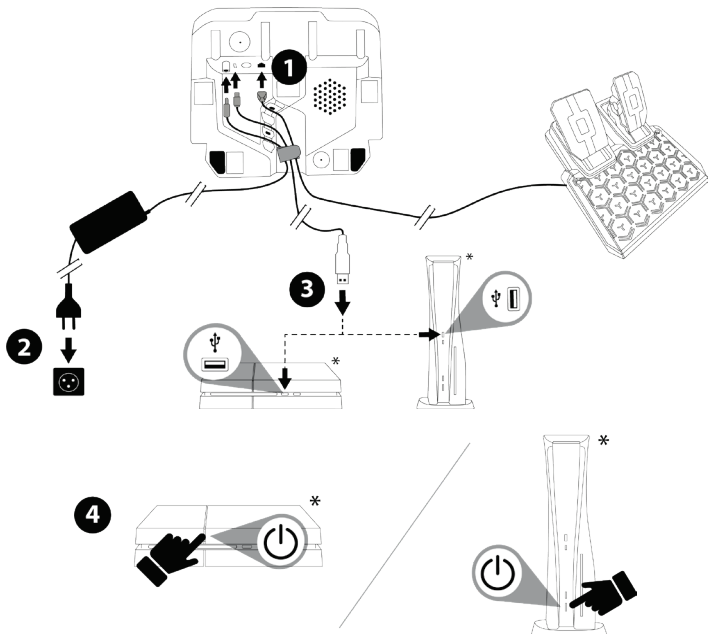
**Non premere mai i pedali durante la fase di auto-calibrazione del volante o durante il caricamento di un gioco!**  
***(Ciò potrebbe causare un'errata calibrazione.)***

**Se il tuo volante e/o la tua pedaliera non funzionassero correttamente, o dovessero sembrarti mal calibrati:**

- Spegni la tua console o il tuo PC e scollega completamente il volante. Ricollega quindi tutti i cavi (compreso il cavo di alimentazione e la pedaliera) e riavvia la tua console (o il tuo PC) e il tuo gioco.
- Riconfigura la pedaliera in modalità **predefinita** seguendo la procedura descritta nel seguito del presente manuale (pagina 16).

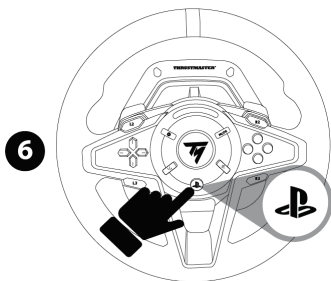
## INSTALLAZIONE SU CONSOLE PLAYSTATION®4 O CONSOLE PLAYSTATION®5

1. Collega la pedaliera T2PM al connettore RJ12 della base (23).
2. Collega il cavo di alimentazione e l'alimentatore ad una presa di corrente.
3. Collega il cavo USB-C (17a) alla porta USB-C della base (21).  
Collega il cavo USB-A (17b) a una porta USB-A della console PS4™ o della console PS5™.
4. Accendi la tua console PlayStation®4 o la tua console PlayStation®5. Il volante si calibrerà automaticamente.



\*Non inclusa

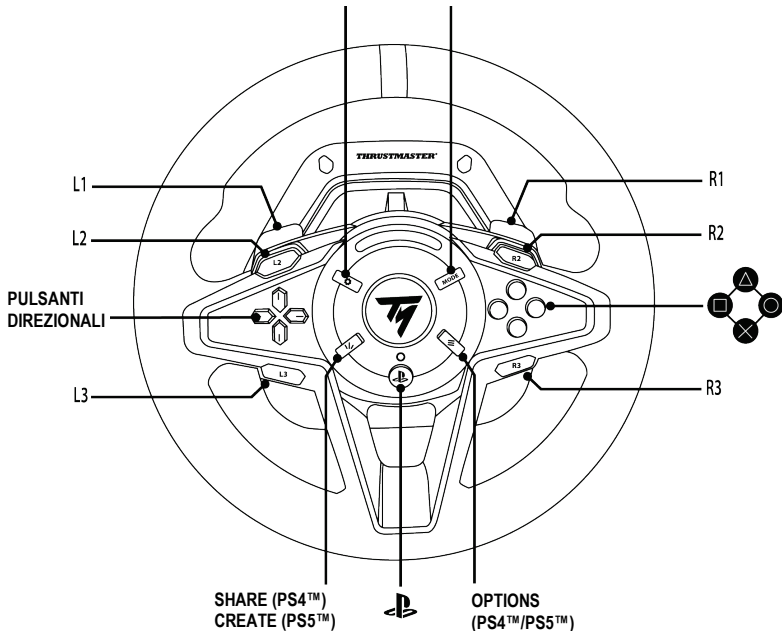
5. Se necessario, seleziona la MODALITÀ con la quale desideri giocare, seguendo la procedura illustrata nel seguito del presente manuale d'uso (pagina 15).
6. Per far funzionare il volante, premi il pulsante PS del volante **(11)** e accedi al tuo account PlayStation™Network.



*Ora sei pronto per giocare!*

## MAPPATURA PER CONSOLE PLAYSTATION®4 O CONSOLE PLAYSTATION®5

### IMPOSTAZIONI MODALITÀ



### Note riguardanti console PS4™ o console PS5™:

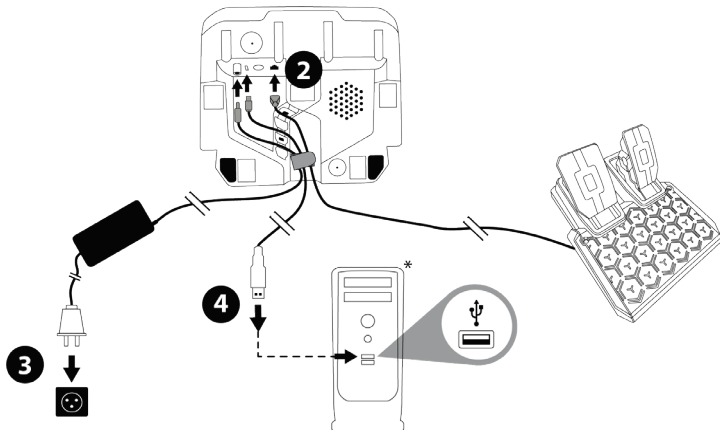
- Nei giochi, il volante viene riconosciuto come un volante Thrustmaster T-GT o un volante Thrustmaster Advanced Racer.
- I 4 display a LED per i giri/min della velocità del motore (7) funzionano nei giochi compatibili con l'SDK Thrustmaster. L'elenco dei giochi compatibili è disponibile qui: <https://support.thrustmaster.com> (nella sezione **Volanti / T128 / Impostazioni giochi**). Questo elenco viene aggiornato regolarmente.
- L'elenco dei giochi per console PlayStation®4 e console PlayStation®5 compatibili con il volante T128 è disponibile qui: <https://support.thrustmaster.com> (nella sezione **Volanti / T128 / Impostazioni giochi**). Questo elenco viene aggiornato regolarmente.

## INSTALLAZIONE SU PC\*

\*La compatibilità PC (Windows® 10/11) non è stata testata né avallata da Sony Interactive Entertainment.

1. Visita il sito <https://support.thrustmaster.com> per scaricare i driver e il software Force Feedback per PC. Clicca su **Volanti / T128 / Driver**.
2. Collega la pedaliera T2PM al connettore RJ12 (23) della base.
3. Collega il cavo di alimentazione e l'alimentatore ad una presa di corrente.
4. Collega il cavo USB-C (17a) ad una porta USB-C (21) della base.
5. Collega il cavo USB-A (17b) ad una porta USB-A del tuo PC.

Il tuo volante si calibrerà automaticamente.



6. Seleziona **Start / Thrustmaster / Volante FFB / Pannello di controllo** per aprire la finestra **Periferiche di gioco**. Nella finestra **Periferiche di gioco** comparirà il volante dal nome **Thrustmaster Advanced Mode Racer**, con lo stato di **OK**.
7. Clicca su **Proprietà** per configurare il tuo volante nel pannello di controllo T128:

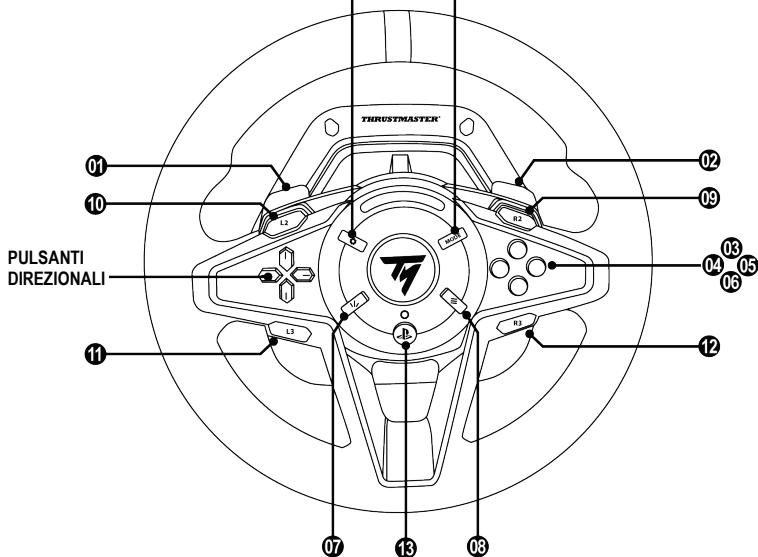
- **Scheda Test Periferica**: ti permette di testare e visualizzare i pulsanti azione, i pulsanti direzionali e gli assi del volante (nonché gli assi della pedaliera), oltre a regolare l'angolo di rotazione del volante nei tuoi giochi per PC.

- **Scheda Test Forze**: ti permette di testare 12 effetti Force Feedback.

- **Scheda Regolazione Forze**: ti permette di regolare la potenza degli effetti Force Feedback nei tuoi giochi per PC.

# MAPPATURA PER PC

## IMPOSTAZIONI MODALITÀ



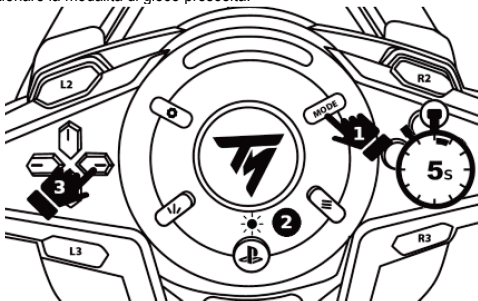
### Note su PC:

- Nei giochi e nel pannello di controllo, il volante viene rilevato con il nome di **Thrustmaster Advanced Mode Racer**.
- Prima di avviare il tuo gioco, ricordati sempre di chiudere completamente la finestra **Periferiche di gioco** cliccando su **OK**.
- Le impostazioni e le regolazioni effettuate tramite la finestra **Periferiche di gioco** sono salvate unicamente nel tuo PC (e pertanto, non avranno alcun effetto su console PS4™ o console PS5™).
- La versione del firmware del tuo volante compare in alto a destra delle schede del pannello di controllo T128.
- I 4 display a LED per i giri/min del motore (**7**) funzionano nei giochi per PC compatibili con l'SDK Thrustmaster. L'elenco dei giochi compatibili è disponibile qui: <https://support.thrustmaster.com> (nella sezione **Volanti / T128 / Impostazioni giochi**). Questo elenco viene aggiornato regolarmente.

## SELEZIONARE LA MODALITÀ DI GIOCO

### Procedura:

1. Tieni premuto il pulsante MODE (8) per 5 secondi, finché il LED (10) presente sopra al pulsante PS non inizierà a lampeggiare.
2. Senza rilasciare il pulsante MODE (8), premi contemporaneamente il pulsante direzionale destra (4) per selezionare la modalità di gioco prescelta.



COLORE LED ☀	MODALITÀ DI GIOCO
BLU	COMPATIBILITÀ PLAYSTATION® STANDARD (modalità predefinita)
ROSSO	COMPATIBILITÀ PLAYSTATION® FUTURA
VERDE	PC

Dopo aver selezionato la modalità di gioco, rilascia i pulsanti: la tua scelta verrà salvata nella memoria interna del volante. Il volante si riavvierà e si ricalibrerà da solo.

### Note:

- Su console PlayStation®4 e console PlayStation®5: una volta completata l'auto-calibrazione, per rendere funzionante il volante T128 premi il pulsante PS (11) e accedi al tuo account PlayStation™Network.
- L'elenco dei giochi compatibili con la console PlayStation®4 e la console PlayStation®5 e il T128 (con le relative MODALITÀ di gioco) è disponibile qui: <https://support.thrustmaster.com> (nella sezione **Volanti / T128 / Impostazioni giochi**). Questo elenco viene aggiornato regolarmente.



## MODALITÀ DELLA PEDALIERA (Visualizzata ogniqualvolta viene riavviato il volante)

Ogniqualvolta viene riavviato il volante (e dopo la sua auto-calibrazione), i 4 LED per i giri/min (7) indicano la modalità (posizione e tipo) di configurazione della tua pedaliera.

### Posizione:

- **NORMALE:** posizione predefinita;
- **INVERTITA:** in questa posizione, i pedali di acceleratore e frizione sono invertiti; questa posizione è possibile solo con pedaliera a 3 pedali.

### Tipo:

- **T2PM-T3PA-T3PM** senza tecnologia a Celle di Carico: **tipo predefinito**;
- **T-LCM** con tecnologia a Celle di Carico.

MODALITÀ PEDALIERA	LAMPEGGIO LED GIRI/MIN (7)
<b>MODALITÀ PREDEFINITA</b> - posizione NORMALE - tipo T2PM-T3PA-T3PM	<b>MODALITÀ PREDEFINITA</b> 
- posizione NORMALE - tipo T-LCM	
- posizione INVERTITA - tipo T2PM-T3PA-T3PM	
- posizione INVERTITA - tipo T-LCM	

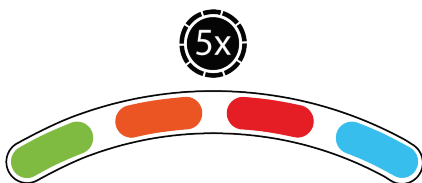
## RICONFIGURAZIONE DELLA PEDALIERA IN MODALITÀ PREDEFINITA (Da effettuare nel caso in cui la tua pedaliera non funzionasse correttamente)

### Procedura:

- Premi **RAPIDAMENTE** il pulsante **IMPOSTAZIONI (6)** per 8 volte.



I 4 LED girini/min (7) lampeggeranno contemporaneamente per 5 volte, per indicare la riconfigurazione in modalità predefinita.



## INVERTIRE LA POSIZIONE DEI PEDALI (Se stai utilizzando una pedaliera a 3 pedali)

Per scelta predefinita, il volante T128 viene distribuito assieme alla pedaliera a 2 pedali T2PM. Questo volante è compatibile anche con le pedalieri Thrustmaster a 3 pedali T3PA, T3PM e T-LCM (vendute separatamente).

Se stai utilizzando una pedaliera a 3 pedali, è possibile invertire elettronicamente i pedali di acceleratore e frizione.

### Procedura:

- Tieni premuto il pulsante **IMPOSTAZIONI (6)** per **5 secondi**.



L'inversione dei pedali viene immediatamente salvata nella memoria interna del volante e uno dei 4LED giri/min (7) lampeggerà 3 volte per indicare la posizione scelta.

PEDALI DI ACCELERATORE E FRIZIONE	LAMPEGGIO DEI LED GIRI/MIN (7)
<b>MODALITÀ PREDEFINITA</b> - posizione <b>NORMALE</b>	Il diagramma mostra una pedaliera con tre pedali. Il pedale di sinistra è verde e lampeggia, indicato da un cerchio con "3x" sopra di esso. Gli altri due pedali sono neri.
- posizione <b>INVERTITA</b>	Il diagramma mostra una pedaliera con tre pedali. Il pedale di destra è rosso e lampeggia, indicato da un cerchio con "3x" sopra di esso. Gli altri due pedali sono neri.

# SELEZIONE MANUALE DEL TIPO DI PEDALIERA: DA T2PM-T3PA-T3PM A T-LCM (e viceversa)

La modalità di default della pedaliera corrisponde al tipo **T2PM-T3PA-T3PM**.

Tale modalità viene salvata nella memoria interna della base del volante e rimarrà sempre attiva, a meno che tu non colleghi una pedaliera T-LCM alla porta RJ12, o non cambi la modalità manualmente.

## Procedura:

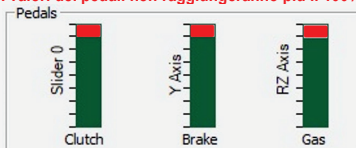
- Tieni premuti simultaneamente il pulsante **IMPOSTAZIONI (6)** e la **leva del cambio sinistra (-)** per **5 secondi**.



MODALITÀ	LAMPEGGIO DEI LED GIR/MIN (7)
<b>MODALITÀ PREDEFINITA</b> - tipo T2PM-T3PA-T3PM	
- tipo T-LCM	



Con il tipo T-LCM, le pedalieri T2PM, T3PA e T3PM non funzioneranno completamente.  
I valori dei pedali non raggiungeranno più il 100%.



Per tornare a funzionare correttamente (e raggiungere il 100%), dovrai cambiare manualmente la modalità della base del volante su tipo T2PM-T3PA-T3PM.

## MODIFICA MANUALE DELL'ANGOLO DI ROTAZIONE TRAMITE IL VOLANTE (possibile soltanto nei giochi in cui l'angolo di rotazione non viene regolato automaticamente)

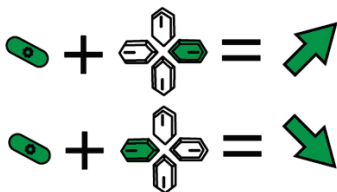
Il volante T128 ha un angolo di rotazione regolabile tra 270° e 900°.

In svariati giochi, l'angolo di rotazione del volante è automatico e viene regolato automaticamente in base all'auto utilizzata. In questi giochi, non è possibile cambiare manualmente l'angolo di rotazione, dato che questa funzione viene gestita dal gioco e non dall'utente.

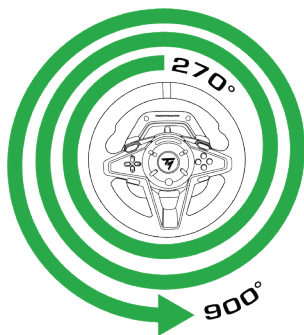
In altri giochi, è possibile cambiare manualmente l'angolo di rotazione, direttamente dal volante.

### Procedura:

- Premi simultaneamente il **pulsante IMPOSTAZIONI (6)** e il **pulsante direzionale destro (4)** per **aumentare** l'angolo di rotazione di uno step; oppure
- Premi simultaneamente il **pulsante IMPOSTAZIONI (6)** e il **pulsante direzionale sinistro (4)** per **ridurre** l'angolo di rotazione di uno step.



4 possibili livelli	
Angolo di rotazione selezionato	LED giri/min (7)
270°	
360°	
540°	
900°	



**Nota bene:** l'angolo di rotazione modificato manualmente tramite il volante, non viene salvato in maniera permanente. Questa procedura dovrà essere effettuata ogniqualvolta viene riavviato il gioco o il volante.

## ALTRE FUNZIONI ASSOCIATE AL PULSANTE IMPOSTAZIONI (6)

Visita il sito <https://support.thrustmaster.com>.

Clicca su **Volanti / T128** quindi su **Manuale d'uso** o **FAQ**.

## AGGIORNAMENTO DEL FIRMWARE DEL VOLANTE

Visita il sito <https://support.thrustmaster.com>.

Clicca su **Volanti / T128 / Firmware** e segui le istruzioni.

## CONSIGLI VARI E FAQ

Visita il sito <https://support.thrustmaster.com>.

Clicca su **Volanti / T128** quindi su **Manuale d'uso** o **FAQ**.

EN

FR

DE

NL

**IT**

ES

PT

RU

CS

TR

PL

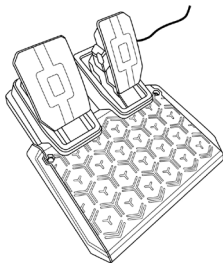
日本語

繁體中文

한국어

العربية

# PEDALIERA T2PM



## ATTENZIONE

Prima di utilizzare questo prodotto, leggi con attenzione il presente manuale, conservandolo per una futura consultazione.



Per ragioni di sicurezza, non utilizzare mai la pedaliera a piedi nudi o indossando unicamente dei calzini.

**THRUSTMASTER® DECLINA OGNI RESPONSABILITÀ IN CASO DI INFORTUNIO DERIVANTE DALL'USO DELLA PEDALIERA SENZA SCARPE.**



### Attenzione – Rischio di schiacciamento nei giochi

- \* Tieni la pedaliera lontana dai bambini.
- \* Mentre giochi, non appoggiare mai le tue dita su o nei pressi dei lati dei pedali.
- \* Mentre giochi, non appoggiare mai le tue dita su o nei pressi della base posteriore dei pedali.
- \* Mentre giochi, non appoggiare mai le tue dita su o nei pressi della base anteriore dei pedali.

MAI



MAI



MAI

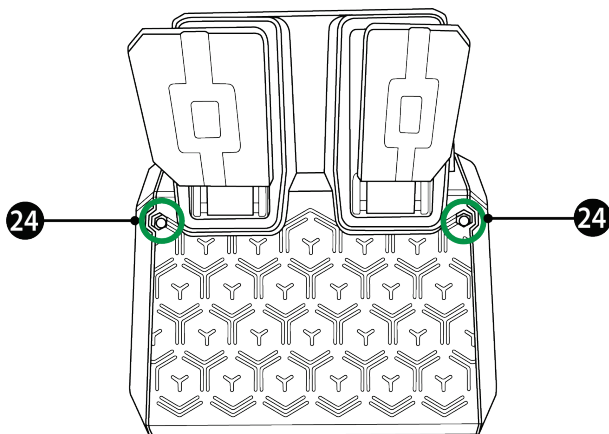


### Attenzione – Rischio di schiacciamento da pedaliera quando non giochi

- \* Conserva la pedaliera in un posto sicuro e tienila lontana dalla portata dei bambini.

## FISSARE LA PEDALIERA A UN SUPPORTO O A UN ABITACOLO

La pedaliera può essere fissata a svariati supporti (venduti separatamente) utilizzando i due fori presenti su ciascun lato della pedaliera (24).



**Se il tuo volante e/o la tua pedaliera, non funzionano correttamente o sembrano non essere correttamente calibrati:**

Spegni la tua console o il tuo PC e scollega completamente il volante. Ricollega quindi tutti i cavi (inclusi il cavo di alimentazione e la pedaliera) e riavvia la tua console (o PC) e il tuo gioco.



## **Informazioni sulla garanzia al consumatore**

A livello mondiale, Guillemot Corporation S.A., avente sede legale in Place du Granier, B.P. 97143, 35571 Chantepie, Francia (d'ora in avanti "Guillemot") garantisce al consumatore che il presente prodotto Thrustmaster sarà privo di difetti relativi ai materiali e alla fabbricazione, per un periodo di garanzia corrispondente al limite temporale stabilito per la presentazione di un reclamo riguardante la conformità del prodotto in questione. Nei paesi della Comunità Europea, tale periodo equivale a due (2) anni a partire dalla consegna del prodotto Thrustmaster. In altri paesi, la durata della garanzia corrisponde al limite temporale stabilito per la presentazione di un reclamo riguardante la conformità del prodotto Thrustmaster in base alle leggi applicabili nel paese in cui il consumatore risiedeva alla data di acquisto del prodotto Thrustmaster (qualora nel paese in questione non esistesse alcuna norma a riguardo, il periodo di garanzia corrisponderà a un (1) anno a partire dalla data originale di acquisto del prodotto Thrustmaster).

Qualora, durante il periodo di garanzia, il prodotto dovesse apparire difettoso, contatti immediatamente l'Assistenza Tecnica, che le indicherà la procedura da seguire. Qualora il difetto dovesse essere confermato, il prodotto dovrà essere riportato al luogo di acquisto (o qualsiasi altro luogo indicato dall'Assistenza Tecnica).

Nel contesto della presente garanzia, il prodotto difettoso di proprietà del consumatore potrà essere sostituito o reso nuovamente funzionante, a discrezione dell'Assistenza Tecnica. Se, durante il periodo coperto dalla garanzia, il prodotto Thrustmaster fosse oggetto di tale rimessa in operatività, alla rimanente durata della garanzia dovrà essere aggiunto un periodo di almeno sette (7) giorni, durante il quale il prodotto risulta non utilizzabile (tale periodo intercorre dalla data della richiesta di intervento da parte del consumatore o dalla data in cui il prodotto in questione è reso disponibile per la rimessa in operatività, questo nel caso in cui tale data sia successiva alla data di richiesta di intervento). Qualora le leggi applicabili in materia lo consentano, la totale responsabilità di Guillemot e delle sue controllate (compresi i danni conseguenti) si limita alla rimessa in operatività o alla sostituzione del prodotto Thrustmaster. Qualora le leggi applicabili in materia lo consentano, Guillemot declina ogni garanzia sulla commerciabilità o la conformità a finalità particolari.

La presente garanzia non potrà essere applicata: (1) se il prodotto è stato modificato, aperto, alterato o ha subito danni derivanti da un uso inappropriato o non autorizzato, da negligenza, da un incidente, dalla semplice usura, o da qualsiasi altra causa non riconducibile a difetti nei materiali o nell'assemblaggio (compresi, ma non i soli, prodotti Thrustmaster combinati con elementi inadatti, tra cui, in particolare, batterie ricaricabili, caricatori o qualsiasi altro elemento non fornito da Guillemot per questo prodotto); (2) nel caso in cui il prodotto sia stato utilizzato per qualsiasi altro scopo al di fuori dell'uso domestico, comprese finalità professionali o commerciali (esempio: sale giochi, allenamenti, concorsi); (3) in caso di mancato rispetto delle istruzioni fornite dall'Assistenza Tecnica; (4) in caso di software, ovvero software soggetto a una specifica garanzia; (5) ai materiali di consumo (elementi che richiedono la loro sostituzione al termine della loro durata di esercizio come, ad esempio, batterie di tipo convenzionale o cuscinetti protettivi per auricolari o cuffie); (6) agli accessori (ad esempio, cavi, custodie, borsette, borse, cinturini); (7) se il prodotto è stato venduto ad un'asta pubblica.

La presente garanzia non è trasferibile.

I diritti legali del consumatore, stabiliti dalle leggi vigenti in materia di vendita di beni di consumo nel relativo paese, non vengono intaccati dalla presente garanzia.

## Disposizioni aggiuntive sulla garanzia

Per tutta la durata della garanzia, in linea di principio, Guillemot non fornirà alcuna parte di ricambio, in quanto la sola Assistenza Tecnica è la parte autorizzata ad aprire e/o rimettere in funzionamento tutti i prodotti Thrustmaster (fatta eccezione per eventuali procedure di rimessa in operatività che l'Assistenza Tecnica potrebbe richiedere al consumatore, attraverso istruzioni scritte – viste, ad esempio, la semplicità e la mancanza di riservatezza della procedura di rimessa in operatività – e fornendo al consumatore le necessarie parti di ricambio, se ve ne fosse l'esigenza).

Considerando i propri cicli di innovazione e per proteggere il proprio know-how e i propri segreti commerciali, in linea di principio, Guillemot non fornirà alcuna notifica o parte di ricambio finalizzata alla rimessa in attività di un qualunque prodotto Thrustmaster il cui periodo di garanzia risultasse scaduto.

## Responsabilità

Qualora le leggi applicabili in materia lo consentano, Guillemot Corporation S.A. (d'ora in avanti "Guillemot") e le sue controllate declinano ogni responsabilità per qualsiasi danno derivante da almeno una delle seguenti condizioni: (1) il prodotto è stato modificato, aperto o alterato; (2) mancato rispetto delle istruzioni di installazione; (3) uso inappropriato o non permesso, negligenza, incidente (come, ad esempio, un impatto); (4) semplice usura; (5) utilizzo del prodotto per qualsiasi altro scopo al di fuori dell'uso domestico, comprese finalità professionali o commerciali (esempio: sale giochi, allenamenti, concorsi). Qualora le leggi applicabili in materia lo consentano, Guillemot e le sue controllate declinano ogni responsabilità per qualsiasi danno non riconducibile a difetti nei materiali o nella fabbricazione del prodotto (compresi, ma non i soli, potenziali danni causati direttamente o indirettamente da un qualunque software, oppure dall'uso del prodotto Thrustmaster in combinazione con elementi inadatti, tra cui, in particolare, batterie ricaricabili, caricatori o qualsiasi altro elemento non fornito da Guillemot per questo prodotto).

**THRUSTMASTER®**

**ASSISTENZA TECNICA**

<https://support.thrustmaster.com>



## COPYRIGHT

©2022 Guillemot Corporation S.A. Tutti i diritti riservati. Thrustmaster® è un marchio registrato di proprietà di Guillemot Corporation S.A. Fabbriato e distribuito da Guillemot Corporation S.A. Tutti gli altri marchi e nomi commerciali vengono qui citati previa autorizzazione e appartengono ai legittimi proprietari. Contenuti, design e caratteristiche possono essere oggetto di modifiche senza preavviso e potrebbero variare da una nazione all'altra. Foto e illustrazioni puramente indicative. Progettato in Europa e Nord America, fabbricato in Cina.

Utilizzabile esclusivamente con console PlayStation®5 e console PlayStation®4.

"PS", "PlayStation", "PS5", "PS4" e "PlayStation Shapes Logo" sono marchi o marchi registrati di proprietà di Sony Interactive Entertainment Inc. Tutti i diritti riservati. Tutti gli altri marchi appartengono ai legittimi proprietari. Prodotto e distribuito su licenza di Sony Interactive Entertainment LLC.

## RACCOMANDAZIONI SULLA TUTELA DELL'AMBIENTE



- \* Nell'Unione Europea, Regno Unito e Turchia: Al termine della sua vita operativa, questo prodotto non dovrebbe essere gettato assieme ai comuni rifiuti, ma dovrebbe essere portato ad un apposito punto di raccolta destinato al riciclaggio del Materiale Elettrico ed Elettronico.

Ciò è confermato dal simbolo riportato sul prodotto, nel manuale d'uso o sulla confezione.

A seconda delle proprie caratteristiche, i materiali potrebbero essere riciclati.

Tramite il riciclaggio ed altre forme di trattamento del Materiale Elettrico ed

Elettronico, è possibile fornire un importante contributo per la salvaguardia dell'ambiente.

Per conoscere i punti di raccolta più vicini a te, contatta le autorità locali competenti.

In tutti gli altri Paesi: per favore, rispetta le leggi locali sul riciclo dei materiali elettrici ed elettronici.

Informazioni da conservare. I colori e le decorazioni possono variare.

I ganci di plastica e gli adesivi dovrebbero essere rimossi dal prodotto prima che quest'ultimo venga utilizzato.

[www.thrustmaster.com](http://www.thrustmaster.com)

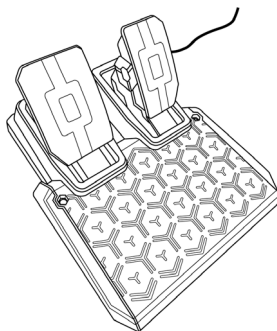
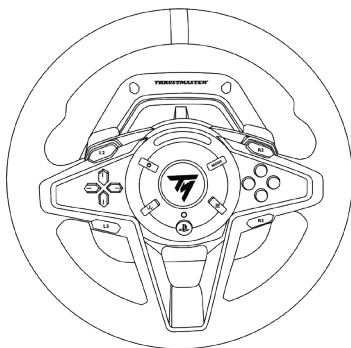
*\*Valido solo in UE, Regno Unito e Turchia*



# T128

Para consolas PlayStation®5, consolas PlayStation®4 y PC\*

Manual del usuario

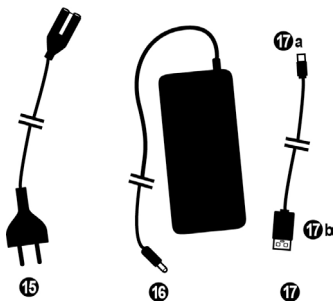
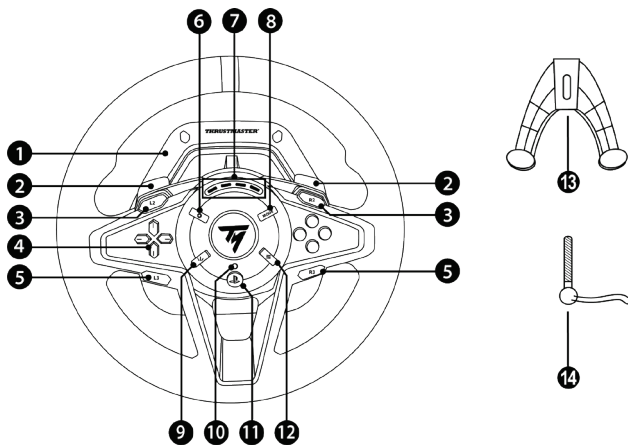


### **ADVERTENCIA:**

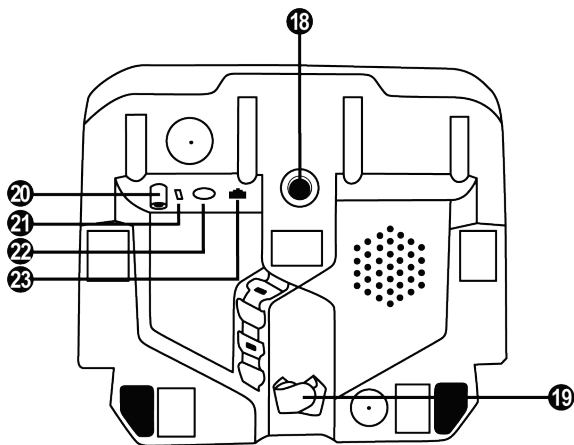
Para asegurarte de que el volante de carreras T128 funcione correctamente con juegos en consolas PlayStation®5, consolas PlayStation®4 o PC, puede que tengas que instalar las actualizaciones automáticas de los juegos (disponible cuando la consola o el PC está conectado a Internet).

\*Compatibilidad con PC (Windows® 10/11) no probada ni avalada por Sony Interactive Entertainment.

## CARACTERÍSTICAS TÉCNICAS



- |   |   |    |   |
|---|---|----|---|
| 1 | Base T128   | 10 | LED de modo de juego (azul, rojo o verde)         |
| 2 | 2 levas magnéticas de cambio de marchas (- y +)               | 11 | Botón PS  |
| 3 | Botones L2 y R2   | 12 | Botón OPTIONS en consolas PS4™ y consolas PS5™    |
| 4 | Botones de dirección  | 13 | Sistema de fijación                               |
| 5 | Botones L3 y R3   | 14 | Tornillo de sujeción metálico                     |
| 6 | Botón AJUSTES   | 15 | Cable de alimentación (EU/EE. UU./Reino Unido...) |
| 7 | 4 LED de RPM (indicador de la velocidad del motor)            | 16 | Adaptador de corriente                            |
| 8 | Botón MODE  | 17 | Cable USB: USB-C (17a) – USB-A (17b)              |
| 9 | Botón SHARE en consolas PS4™<br>Botón CREATE en consolas PS5™ |    |   |



- 18 Agujero roscado grande (para sistema de fijación y tornillo de sujeción)
- 19 Sujetacables con cierre de gancho y bucle
- 20 Conector de adaptador de corriente

- 21 Conector USB-C del volante de carreras
- 22 Conector mini-DIN para palanca de cambios, freno de mano o hub de Thrustmaster (se venden por separado)
- 23 Conector RJ12 para juego de pedales

## ADVERTENCIA

Antes de utilizar este producto, lee detenidamente este manual y consérvalo para consultarlo posteriormente.



### **Advertencia – Descarga eléctrica**

- \* Mantén el producto en un lugar seco y no lo expongas al polvo ni a la luz directa del sol.
- \* No retuerzas ni tires de los conectores ni de los cables.
- \* No derrames líquidos en el producto ni en sus conectores.
- \* No cortocircuites el producto.
- \* No desmontes nunca el producto ni lo lances al fuego ni lo expongas a temperaturas elevadas.
- \* No utilices otro cable de fuente de alimentación distinto del proporcionado con el volante de carreras.
- \* No utilices el cable de fuente de alimentación si el cable o los conectores están dañados, partidos o rotos.
- \* Asegúrate de que el cable de fuente de alimentación esté enchufado correctamente en un enchufe eléctrico, y conectado correctamente al conector de la parte trasera de la base del volante de carreras.
- \* No abras el volante de carreras: en el interior no hay piezas que pueda reparar el usuario. Las reparaciones las debe realizar el fabricante, su representante autorizado o un técnico cualificado.
- \* Utiliza únicamente sistemas de fijación/accesorios especificados por el fabricante.
- \* Si el volante de carreras se comporta de forma anormal (si emite sonidos anormales, calor u olores), deja de utilizarlo inmediatamente, desenchufa el cable de fuente de alimentación del enchufe eléctrico y desconecta los demás cables.
- \* Si no vas a utilizar el volante de carreras durante un periodo de tiempo prolongado, desenchufa su cable de fuente de alimentación del enchufe eléctrico.
- \* El enchufe eléctrico debe estar situado cerca del equipo y ser fácilmente accesible.



Utiliza únicamente la fuente de alimentación indicada en las instrucciones para el usuario.

### **Información del adaptador de fuente de alimentación**

Información publicada	Valor	Unidad
Nombre o marca comercial del fabricante, número de registro comercial y dirección	<b>GUILLEMOT CORPORATION S.A.</b> 414 196 758 Rennes Place du Granier BP 97143 35571 Chantepie Cedex Francia	
Identificador de modelo	<b>A481-1852590D</b>	
Voltaje de entrada	<b>100 - 230</b>	V
Frecuencia de CA de entrada	<b>50 - 60</b>	Hz
Voltaje de salida	<b>18,5</b>	V CC
Corriente de salida	<b>2,6</b>	A
Potencia de salida	<b>47,9</b>	W
Eficiencia activa promedio	<b>87,8</b>	%
Eficiencia a baja carga (10%)	<b>87,8</b>	%
Consumo de energía sin carga	<b>0,10</b>	W



### **Rejillas de ventilación**

Asegúrate de no bloquear ninguna de las rejillas de ventilación de la base del volante de carreras. Para obtener una ventilación óptima, respeta los puntos siguientes:

- \* Coloca la base del volante al menos a 10 cm de distancia de las paredes.
- \* No coloques la base en espacios estrechos.
- \* No tapes la base.
- \* No dejes que se acumule polvo en las rejillas de ventilación.



**Por razones de seguridad, no uses nunca los pedales con los pies descalzos o únicamente con calcetines en los pies.**

**THRUSTMASTER® DECLINA TODA RESPONSABILIDAD EN CASO DE LESIONES PRODUCTO DEL USO DE LOS PEDALES SIN CALZADO.**



### **Advertencia – Lesiones debidas al Force Feedback y los movimientos repetitivos**

Jugar con un volante con Force Feedback puede producir dolor en las articulaciones o en los músculos. Para evitar problemas:

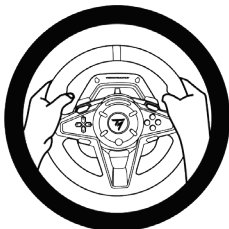
- \* Evita jugar durante períodos prolongados.
- \* Haz descansos de 10 a 15 minutos por cada hora de juego.
- \* Si sientes fatiga o dolor en las manos, muñecas, brazos, pies o piernas, deja de jugar y descansa durante unas horas antes de volver a jugar.
- \* Si los síntomas o el dolor indicados persisten cuando vuelves a jugar, deja de hacerlo y consulta al médico.
- \* Mantén el volante fuera del alcance de los niños.
- \* Durante el juego, mantén siempre ambas manos colocadas correctamente en el volante sin dejarlas completamente caídas.
- \* Mientras estás jugando, no coloques nunca las manos ni los dedos debajo de los pedales, ni tampoco cerca de ellos.
- \* Durante la calibración y el juego, no metas nunca las manos ni los brazos a través de las aberturas del volante de carreras.
- \* Asegúrate de que la base del volante de carreras esté fijada correctamente, según las instrucciones de este manual.



El producto sólo puede ser manejado por usuarios de 14 años de edad como mínimo



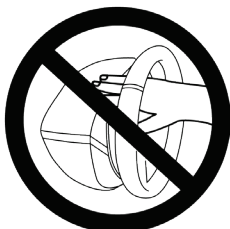
SIEMPRE



NUNCA



NUNCA



**Advertencia – Peligro de pillarse los dedos con los pedales mientras se juega**

- \* Mantén los pedales fuera del alcance de los niños.
- \* Cuando juegues, no pongas nunca los dedos en los lados de los pedales ni cerca de ellos.
- \* Cuando juegues, no pongas nunca los dedos sobre la base trasera de los pedales ni cerca de ella.
- \* Cuando juegues, no pongas nunca los dedos sobre la base delantera de los pedales ni cerca de ella.

NUNCA



NUNCA



NUNCA



**Advertencia – Peligro de pillarse los dedos con los pedales cuando no se juega**

- \* Guarda los pedales en un lugar seguro y lejos del alcance de los niños.

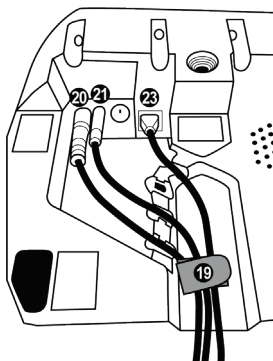
## FIJACIÓN DEL VOLANTE DE CARRERAS

### Fijación del volante de carreras a una mesa o un escritorio

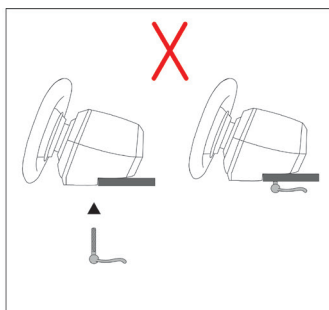
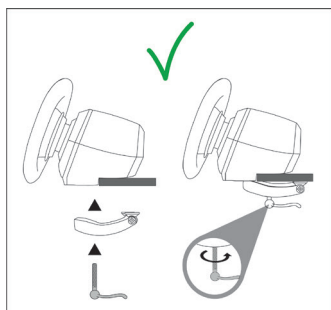
Comienza conectando en la cara inferior del volante:

- el adaptador de corriente (20);
- el cable USB-C de liberación rápida (17a) al conector USB-C (21);
- el juego de pedales T2PM (23).

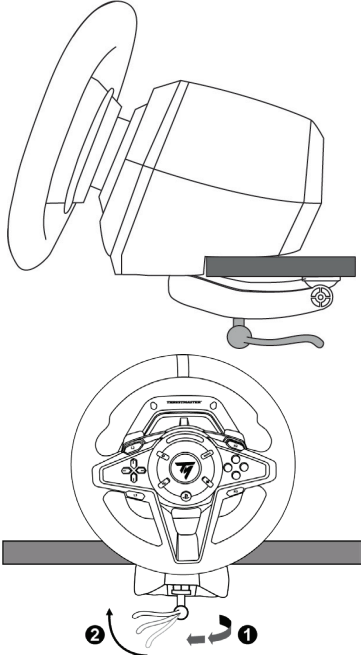
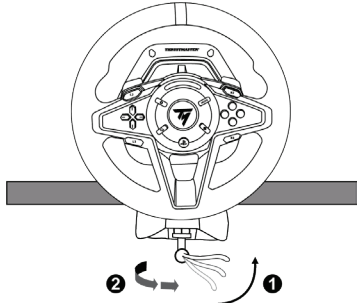
Asegúrate de seguir las rutas de los distintos cables y fíjalos con el sujetacables de gancho y bucle (19).



1. Coloca el volante de carreras sobre una mesa o en otra superficie horizontal, plana y estable.
2. Inserta el tornillo de sujeción (14) en el sistema de fijación (13) y, a continuación, aprieta el dispositivo girando el tornillo a la izquierda, para que entre en el agujero roscado grande (18) situado debajo del volante de carreras, hasta que el volante esté perfectamente estable.



**ADVERTENCIA:** ¡No aprietes nunca el tornillo solo, sin el sistema de fijación en su sitio!  
De hacerlo así, se podría dañar el volante.

COLOCACIÓN / RETIRADA	DIRECCIÓN
<p><b><u>Para apretar:</u></b></p> <p><i>Gira el tornillo hacia la izquierda</i></p>	
<p><b><u>Para aflojar:</u></b></p> <p><i>Gira el tornillo hacia la derecha</i></p>	

# INSTALACIÓN

## CALIBRACIÓN AUTOMÁTICA DEL VOLANTE Y DE LOS PEDALES

El volante de carreras se calibra solo automáticamente cuando lo enchufas a la red eléctrica y conectas el conector USB del volante de carreras a la consola PlayStation®5, la consola PlayStation®4 o al PC.

Durante esta fase, el volante de carreras girará rápidamente hacia la izquierda y la derecha, cubriendo un ángulo de 900 grados, antes de detenerse en el centro.



### **ADVERTENCIA:**

**¡No toques nunca el volante de carreras durante la fase de autocalibración!  
(Esto podría provocar una calibración incorrecta y/o lesiones personales).**

No conectes nunca los pedales a la base del volante de carreras (ni los desconectes de la base) cuando esté conectada a la consola PlayStation® o al PC o durante el juego (esto podría provocar una calibración incorrecta).

Conecta siempre los pedales antes de conectar el volante de carreras a la consola PlayStation®5, la consola PlayStation®4 o al PC.

Una vez que se ha realizado la calibración del volante de carreras y el juego se ha ejecutado, los pedales se calibran automáticamente tras presionarlos unas cuantas veces.



### **ADVERTENCIA:**

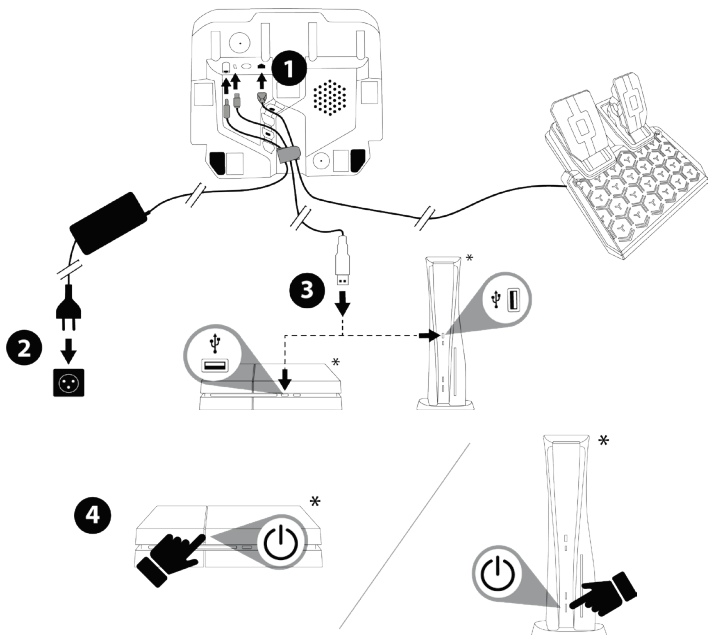
**¡No presiones nunca los pedales durante la fase de autocalibración del volante de carreras ni mientras se está cargando un juego!  
(Esto podría provocar una calibración incorrecta).**

**Si el volante de carreras y/o los pedales no funcionan correctamente, o si la calibración parece incorrecta:**

- Apaga la consola o el PC y desconecta por completo el volante de carreras. A continuación, vuelve a conectar todos los cables (incluso el cable de fuente de alimentación y los pedales) y reinicia la consola (o el PC) y el juego.
- Vuelve a configurar el juego de pedales en el modo **predeterminado** utilizando el procedimiento que se describe más adelante en este manual del usuario (página 16).

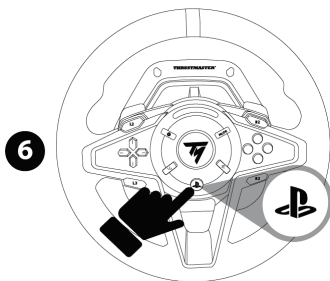
## INSTALACIÓN EN CONSOLAS PLAYSTATION®4 O EN CONSOLAS PLAYSTATION®5

1. Conecta el juego de pedales T2PM al conector RJ12 (23) de la base.
2. Enchufa el cable de alimentación y el adaptador de corriente en un enchufe eléctrico.
3. Conecta el cable USB-C (17a) al puerto USB-C (21) de la base.  
Conecta el cable USB-A (17b) a un puerto USB-A en la consola PS4™ o la consola PS5™.
4. Enciende tu consola PlayStation®4 o tu consola PlayStation®5. El volante de carreras se calibrará solo automáticamente.



\*No incluida

- Si es necesario, selecciona el MODO de juego en el que quieres jugar por medio del procedimiento establecido más adelante en este manual del usuario (en la página 15).
- Pulsa el botón PS del volante de carreras (11) e inicia sesión en tu cuenta de PlayStation™Network para que el volante de carreras sea funcional.



***¡Ya estás preparado para jugar!***

EN

FR

DE

NL

IT

**ES**

PT

RU

CS

TR

PL

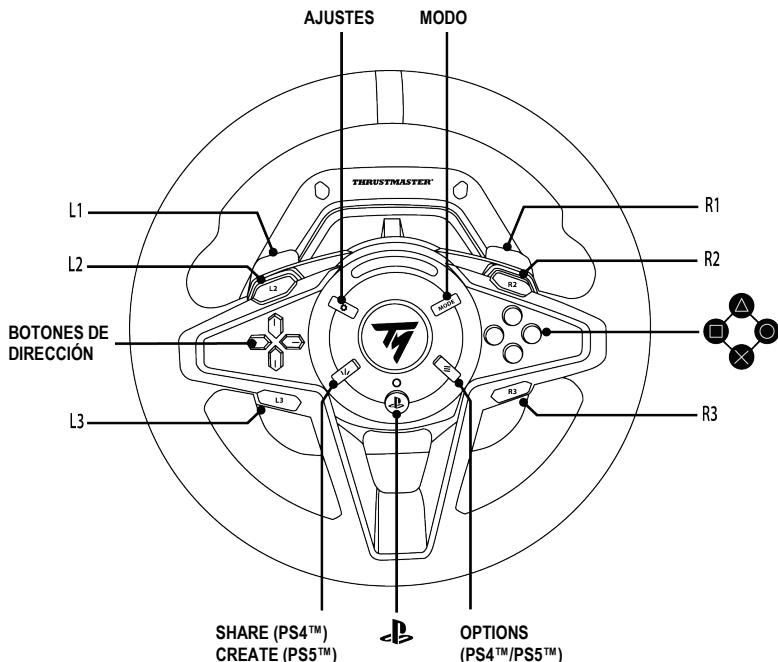
日本語

繁體中文

한국어

العربية

## MAPEADO PARA CONSOLAS PLAYSTATION®4 O CONSOLAS PLAYSTATION®5



### **Notas relativas a las consolas PS4™ o PS5™:**

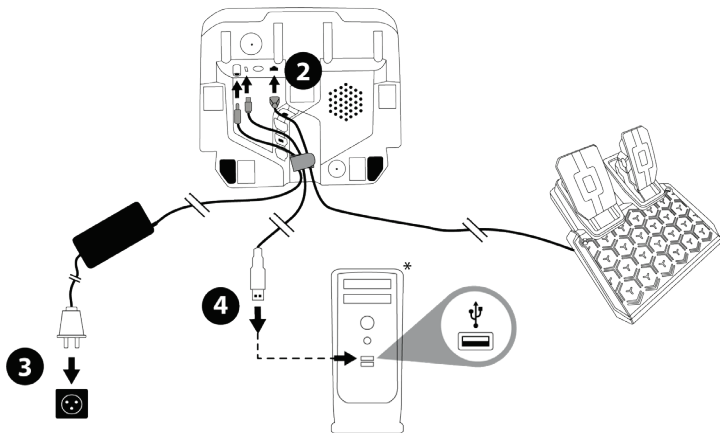
- El volante de carreras se reconoce en los juegos como un volante de carreras Thrustmaster T-GT o un volante de carreras Thrustmaster Advanced Racer.
- Los 4 LED de RPM que muestran la velocidad del motor (7) funcionan en juegos compatibles con el SDK de Thrustmaster. La lista de juegos compatibles está disponible aquí: <https://support.thrustmaster.com> (en la sección **Volantes de carreras / T128 / Configuración de juegos**). Esta lista se actualiza periódicamente.
- La lista de juegos en consolas PlayStation®4 y consolas PlayStation®5 compatibles con el volante de carreras T128 está disponible aquí: <https://support.thrustmaster.com> (en la sección **Volantes de carreras / T128 / Configuración de juegos**). Esta lista se actualiza periódicamente.

## INSTALACIÓN EN PC\*

\*Compatibilidad con PC (Windows® 10/11) no probada ni avalada por Sony Interactive Entertainment.

1. Visita <https://support.thrustmaster.com> para descargar los controladores y el software de Force Feedback para PC. Haz clic en **Volantes de carreras / T128 / Controladores**.
2. Conecta el juego de pedales T2PM al conector RJ12 (**23**) de la base.
3. Enchufa el cable de alimentación y el adaptador de corriente en un enchufe eléctrico.
4. Conecta el cable USB-C (**17a**) al puerto USB-C (**21**) de la base.
5. Conecta el cable USB-A (**17b**) a un puerto USB-A en tu PC.

Tu volante de carreras se calibra solo automáticamente.



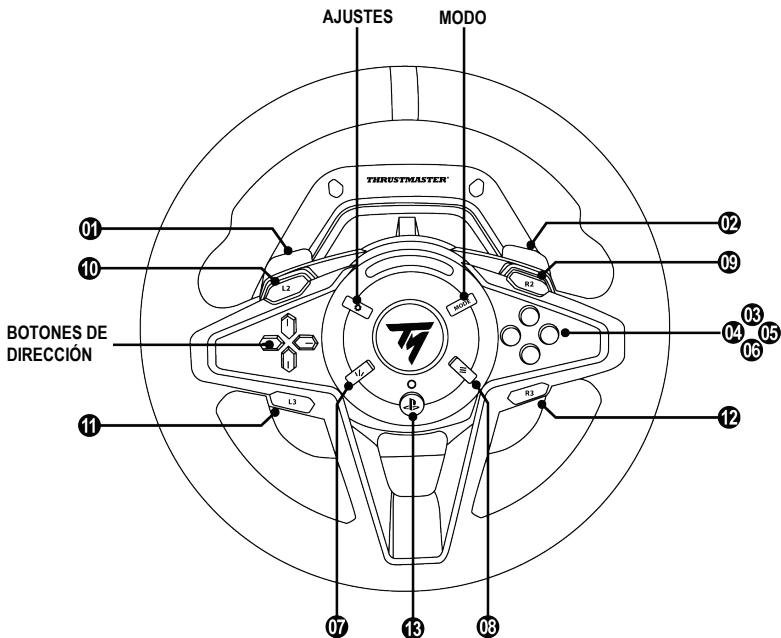
6. Selecciona **Inicio / Thrustmaster / FFB Racing Wheel / Panel de control** para abrir la ventana **Dispositivos de juego**. La ventana **Dispositivos de juego** ahora muestra el nombre del volante de carreras **Thrustmaster Advanced Mode Racer**, junto con el estado **OK**.

7. Haz clic en **Propiedades** para configurar el volante de carreras en el panel de control del T128:

- **Pestaña Probar dispositivo:** te permite probar y ver los botones de acción, los botones de dirección y los ejes del volante de carreras (así como los ejes del juego de pedales) y ajustar el ángulo de rotación del volante de carreras en los juegos de PC.
- **Pestaña Probar fuerzas:** te permite probar 12 efectos Force Feedback.
- **Pestaña Ajustar fuerzas:** te permite ajustar la potencia de los efectos Force Feedback en los juegos de PC.



## MAPEADO PARA PC



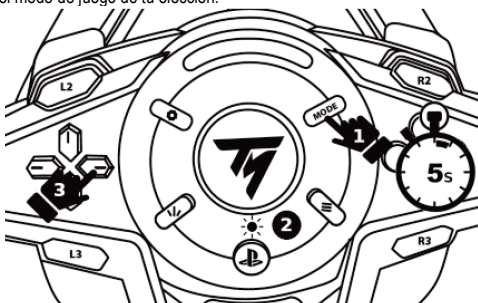
### Notas en PC:

- En el Panel de control y en los juegos, el volante de carreras se reconoce con el nombre **Thrustmaster Advanced Mode Racer**.
- Acuérdate de cerrar siempre completamente la ventana **Dispositivos de juego** haciendo clic en **Aceptar** antes de iniciar un juego.
- La configuración y los ajustes realizados en la ventana **Dispositivos de juego** sólo se guardan en tu PC (y, por lo tanto, no tendrán ningún efecto en consolas PS4™ o consolas PS5™).
- La versión del firmware del volante de carreras aparece en la sección superior derecha de las pestañas del panel de control del T128.
- Los 4 LED de RPM que muestran la velocidad del motor (**7**) son funcionales en juegos de PC compatibles con el SDK de Thrustmaster. La lista de juegos compatibles está disponible aquí: <https://support.thrustmaster.com> (en la sección **Volantes de carreras / T128 / Configuración de juegos**). Esta lista se actualiza periódicamente.

## SELECCIÓN DEL MODO DE JUEGO

### Procedimiento:

1. Pulsa y mantén pulsado el botón MODE (8) durante 5 segundos, hasta que empiece a parpadear el LED (10) situado sobre el botón PS.
2. Sin soltar el modo MODE (8), pulsa simultáneamente el botón de dirección derecho (4) para seleccionar el modo de juego de tu elección.



COLOR DEL LED	MODO DE JUEGO
AZUL	COMPATIBILIDAD ESTÁNDAR DE PLAYSTATION® (modo predeterminado)
ROJO	COMPATIBILIDAD FUTURA DE PLAYSTATION®
VERDE	PC

Una vez que hayas seleccionado el modo de juego, suelta los botones: tu selección se guarda en la memoria interna del volante de carreras. El volante de carreras se reinicia y se autocalibra.

### Notas:

- En consolas PlayStation®4 y consolas PlayStation®5: para que el volante de carreras T128 sea totalmente funcional después de la autocalibración, pulsa el botón PS (11) e inicia sesión en tu cuenta de PlayStation™Network.
- La lista de juegos compatibles con la consola PlayStation®4 y la consola PlayStation®5 y el T128 (y el MODO de juego correspondiente) está disponible aquí: <https://support.thrustmaster.com> (en la sección **Volantes de carreras / T128 / Configuración de juegos**). Esta lista se actualiza regularmente.

## MODO PARA JUEGO DE PEDALES

(Se muestra cada vez que se reinicia el volante de carreras)



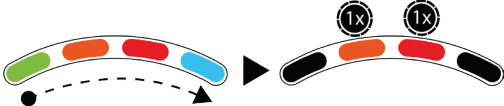

Cada vez que se reinicia el volante de carreras (y después de su autocalibración), los 4 LED de RPM (7) indican el modo (posición y tipo) en el que está configurado el juego de pedales.

### Posición:

- **NORMAL:** posición predeterminada;
- **INVERTIDA:** en esta posición, los pedales del acelerador y del embrague están invertidos; esta posición sólo es posible con un juego de 3 pedales.

### Tipo:

- **T2PM-T3PA-T3PM** sin tecnología Load Cell: **tipo predeterminado;**
- **T-LCM** con tecnología Load Cell.

MODO PARA JUEGO DE PEDALES	PARPADEO DE LED DE RPM (7)
<b>MODO PREDETERMINADO</b> - Posición NORMAL - Tipo T2PM-T3PA-T3PM	<b>MODO PREDETERMINADO</b> 
- Posición NORMAL - Tipo T-LCM	
- Posición INVERTIDA - Tipo T2PM-T3PA-T3PM	
- Posición INVERTIDA - Tipo T-LCM	

## RECONFIGURACIÓN DEL JUEGO DE PEDALES EN MODO PREDETERMINADO

(Se tiene que realizar si el juego de pedales no funciona correctamente)

### Procedimiento:

- Presiona **RÁPIDAMENTE** el botón **AJUSTES (6)** 8 veces.



Los 4 LED de RPM (7) parpadean 5 veces simultáneamente para indicar la reconfiguración en el modo predeterminado.



EN

FR

DE

NL

IT

**ES**

PT

RU

CS

TR

PL

日本語

繁體中文

한국어

العربية

## INVERSIÓN DE LA POSICIÓN DE LOS PEDALES (Si estás usando un juego de 3 pedales)

El volante de carreras T128 incluye el juego de 2 pedales T2PM de forma predeterminada. Este volante de carreras también es compatible con los juegos de 3 pedales Thrustmaster T3PA, T3PM y T-LCM (se venden por separado).

Si estás usando un juego de 3 pedales, es posible invertir electrónicamente los pedales del acelerador y del embrague.

### Procedimiento:

- Mantén presionado el botón **AJUSTES (6)** durante **5 segundos**.



La inversión de los pedales se guarda instantáneamente en la memoria interna del volante de carreras, y uno de los 4 LED de RPM (7) parpadea 3 veces para indicar la posición seleccionada.

PEDALES DE ACELERADOR Y EMBRAGUE	PARPADEO DE LED DE RPM (7)
<b>MODO PREDETERMINADO</b> - Posición NORMAL	A diagram of three pedals. The leftmost pedal is highlighted in green. Above it is a circular icon with '3x' inside, indicating a 3-blink signal.
- Posición INVERTIDA	A diagram of three pedals. The middle pedal is highlighted in orange. Above it is a circular icon with '3x' inside, indicating a 3-blink signal.

# CAMBIO MANUAL DEL JUEGO DE PEDALES DEL TIPO T2PM-T3PA-T3PM AL TIPO T-LCM (y viceversa)

De forma predeterminada, el modo del juego de pedales es del tipo **T2PM-T3PA-T3PM**.

Este modo se guarda en la memoria interna de la base del volante de carreras y siempre permanece habilitado, excepto en el caso de que conectes un juego de pedales T-LCM al puerto RJ12, o que cambies el modo manualmente.

## Procedimiento:

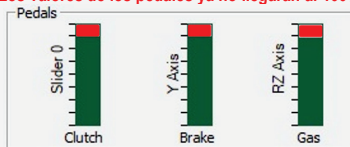
- Mantén presionado simultáneamente el botón **AJUSTES (6)** y la leva de cambio de marchas izquierda (-) durante **5 segundos**.



MODO	PARPADEO DE LED DE RPM (7)
<b>MODO PREDETERMINADO</b> - Tipo T2PM-T3PA-T3PM	
- Tipo T-LCM	



Con el tipo T-LCM, los juegos de pedales T2PM, T3PA y T3PM no funcionarán correctamente. Los valores de los pedales ya no llegarán al 100%.



Para que vuelvan a funcionar correctamente (y alcancen el 100%), debes cambiar manualmente el modo de la base del volante de carreras al tipo T2PM-T3PA-T3PM.

## CAMBIO MANUAL DEL ÁNGULO DE ROTACIÓN MEDIANTE EL VOLANTE DE CARRERAS DE CARRERAS

(sólo es posible en juegos en los que el ángulo de rotación no se ajusta automáticamente)

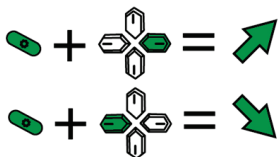
El volante de carreras T128 tiene un ángulo de rotación ajustable entre 270° y 900°.

En muchos juegos, el ángulo de rotación del volante de carreras es automático y se ajusta solo según el coche que se use. En estos juegos, no es posible cambiar manualmente este ángulo de rotación, ya que esta función la gestiona el juego y no el usuario.

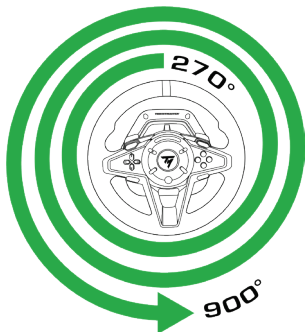
En otros juegos, es posible cambiar manualmente el ángulo de rotación directamente mediante el volante de carreras.

### Procedimiento:

- Presiona simultáneamente el **botón AJUSTES (6)** y el **botón de dirección derecho (4)** para **aumentar** el ángulo de rotación en un paso;
- Presiona simultáneamente el **botón AJUSTES (6)** y el **botón de dirección izquierdo (4)** para **disminuir** el ángulo de rotación en un paso.



4 niveles posibles	
Ángulo de rotación seleccionado	LED DE RPM (7)
270°	
360°	
540°	
900°	



**Nota:** El ángulo de rotación modificado manualmente mediante el volante de carreras no se guarda de forma permanente. Este procedimiento debe realizarse cada vez que se reinicie el juego o el volante de carreras.

## OTRAS FUNCIONALIDADES RELACIONADAS CON EL BOTÓN AJUSTES (6)

Visita <https://support.thrustmaster.com>.

Haz clic en **Volantes de carreras / T128** y luego en **Manual** o **PF**.

## ACTUALIZACIÓN DEL FIRMWARE DEL VOLANTE DE CARRERAS

Visita <https://support.thrustmaster.com>.

Haz clic en **Volantes de carreras / T128 / Firmware**, y sigue las instrucciones.

## VARIOS CONSEJOS Y PREGUNTAS FRECUENTES

Visita <https://support.thrustmaster.com>.

Haz clic en **Volantes de carreras / T128**, y luego en **Manual** o **PF**.

EN

FR

DE

NL

IT

ES

PT

RU

CS

TR

PL

日本語

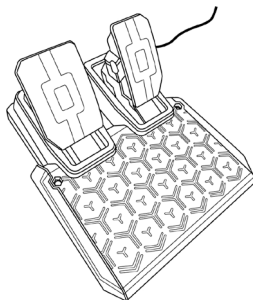
繁體中文

한국어

العربية



# JUEGO DE PEDALES T2PM



## ADVERTENCIA

Antes de utilizar este producto, lee detenidamente este manual y consérvalo para consultarlo después.



Por razones de seguridad, no uses nunca los pedales con los pies descalzos o únicamente con calcetines en los pies.

**THRUSTMASTER® DECLINA TODA RESPONSABILIDAD EN CASO DE LESIONES PRODUCTO DEL USO DE LOS PEDALES SIN CALZADO.**



**Advertencia – Peligro de pillarse los dedos con los pedales mientras se juega**

- \* Mantén los pedales fuera del alcance de los niños.
- \* Cuando juegues, no pongas nunca los dedos en los lados de los pedales ni cerca de ellos.
- \* Cuando juegues, no pongas nunca los dedos sobre la base trasera de los pedales ni cerca de ella.
- \* Cuando juegues, no pongas nunca los dedos sobre la base delantera de los pedales ni cerca de ella.

**NUNCA**



**NUNCA**



**NUNCA**

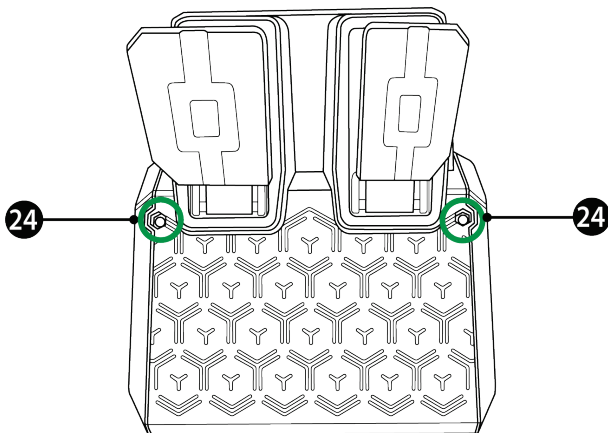


**Advertencia – Peligro de pillarse los dedos con los pedales cuando no se juega**

\*Guarda los pedales en un lugar seguro y lejos del alcance de los niños.

## FIJACIÓN DE LOS PEDALES A UN SOPORTE O UNA CABINA

El juego de pedales se puede conectar a diversos soportes diferentes (se venden por separado) usando las dos perforaciones (24) ubicadas a ambos lados del juego de pedales.



**Si el volante de carreras y/o los pedales no funcionan correctamente, o si la calibración parece incorrecta:**

Apaga la consola o el PC y desconecta por completo el volante de carreras. A continuación, vuelve a conectar todos los cables (incluso el cable de fuente de alimentación y los pedales) y reinicia la consola (o el PC) y el juego.

## **INFORMACIÓN DE GARANTÍA AL CONSUMIDOR**

En todo el mundo, Guillemot Corporation S.A., cuyo domicilio legal se encuentra en Place du Granier, B.P. 97143, 35571 Chantepie, Francia (en lo sucesivo "Guillemot") garantiza al consumidor que este producto de Thrustmaster estará libre de defectos de materiales y mano de obra, durante un período de garantía que corresponde al límite de tiempo para interponer una acción legal referida a la conformidad en relación con este producto. En los países de la Unión Europea, esto corresponde a un período de dos (2) años a partir de la entrega del producto de Thrustmaster. En otros países, el período de garantía corresponde al límite de tiempo para interponer una acción legal referida a la conformidad en relación con este producto de Thrustmaster según las leyes aplicables del país en el que el consumidor estuviese domiciliado en la fecha de compra del producto de Thrustmaster (si no existiese una acción similar en el país correspondiente, entonces el período de garantía será de un (1) año a partir de la fecha de compra original del producto de Thrustmaster).

Si el producto resultase defectuoso durante el período de garantía, hay que ponerse en contacto inmediatamente con el Soporte Técnico, que indicará el procedimiento a seguir. Si se confirma el defecto, el producto debe devolverse a su lugar de compra (o a cualquier otra ubicación indicada por el Soporte Técnico).

Dentro del contexto de esta garantía, el producto defectuoso del consumidor será sustituido o restaurado su funcionamiento correcto. Si, durante el período de garantía, el producto de Thrustmaster fuese sometido a dicho reacondicionamiento, cualquier período de cómo mínimo siete (7) días durante el que el producto no se pueda usar se añadirá al período de garantía restante (este período va desde la fecha de petición de intervención del consumidor o desde la fecha en la que el producto se entrega para el reacondicionamiento, si la fecha en la que el producto se entrega para el reacondicionamiento fuese posterior a la fecha de la petición de intervención). Si la ley aplicable lo permite, toda la responsabilidad de Guillemot y sus filiales (incluso por daños resultantes) se limita a la restauración del funcionamiento correcto o la sustitución del producto de Thrustmaster. Si la ley aplicable lo permite, Guillemot renuncia a todas las garantías de comerciabilidad o adecuación para un propósito determinado.

Esta garantía no se aplicará: (1) si el producto ha sido modificado, abierto, alterado o ha sufrido daños como resultado de un uso inapropiado o abuso, negligencia, accidente, desgaste normal, o cualquier otra causa no relacionada con un defecto de materiales o fabricación (incluyendo, pero no de forma exclusiva, la combinación del producto de Thrustmaster con cualquier elemento no adecuado, incluyendo en particular fuentes de alimentación, baterías recargables, cargadores o cualquier otro elemento no suministrado por Guillemot para este producto); (2) si el producto se ha empleado para otro uso distinto del doméstico, incluyendo fines profesionales o comerciales (salones de juego, entrenamiento, competiciones, por ejemplo); (3) en caso de incumplimiento de las instrucciones proporcionadas por el Soporte Técnico; (4) a software, es decir software sujeto a una garantía específica; (5) a consumibles (elementos que se tienen que reemplazar a lo largo de la vida del producto: por ejemplo, baterías desechables o almohadillas para auriculares de audio); (6) a accesorios (por ejemplo, cables, cajas, bolsas, bolsos o muñequeras); (7) si el producto se ha vendido en una subasta pública.

Esta garantía no es transferible.

Los derechos legales del consumidor en relación con las leyes aplicables a la venta de productos de consumo de su país no se ven afectados por esta garantía.

### Provisiones de garantía adicionales

Durante el período de garantía, Guillemot no proporcionará, en principio, ninguna pieza de repuesto, ya que el Soporte Técnico es el único autorizado para abrir y/o reacondicionar los productos de Thrustmaster (con la excepción de los procedimientos de reacondicionamiento que el Soporte técnico puede solicitar que lleve a cabo el consumidor, mediante instrucciones por escrito – por ejemplo, debido a la simplicidad y la falta de confidencialidad del proceso de reacondicionamiento – y suministrando al consumidor las piezas de repuesto necesarias, si hiciere falta).

Debido a sus ciclos de innovación y para proteger su know-how y secretos comerciales, Guillemot no proporcionará, en principio, ninguna pieza de repuesto ni instrucciones de reacondicionamiento para los productos de Thrustmaster cuyo período de garantía haya vencido.

En los Estados Unidos de América y en Canadá, esta garantía está limitada al mecanismo interno del producto y al alojamiento externo. En ningún caso, Guillemot ni sus filiales serán responsables ante terceros por daños resultantes o fortuitos resultado del incumplimiento de cualquier garantía expresa o implícita. En algunos estados o provincias no se permite la limitación de la duración de una garantía implícita ni la exclusión o limitación de responsabilidad por daños resultantes o fortuitos, por lo que las limitaciones o exclusiones anteriores pueden no ser aplicables. Esta garantía ofrece derechos legales específicos al consumidor, que también puede tener otros derechos que pueden variar de un estado a otro o de una provincia a otra.

### Responsabilidad

Si la ley aplicable lo permite, Guillemot Corporation S.A. (en lo sucesivo "Guillemot") y sus filiales renuncian a toda responsabilidad por los daños causados por uno o más de los siguientes motivos: (1) el producto ha sido modificado, abierto o alterado; (2) incumplimiento de las instrucciones de montaje; (3) uso inapropiado o abuso, negligencia, accidente (un impacto, por ejemplo); (4) desgaste normal; (5) el producto se ha empleado para otro uso distinto del doméstico, incluyendo fines profesionales o comerciales (salones de juego, entrenamiento, competiciones, por ejemplo). Si la ley aplicable lo permite, Guillemot y sus filiales renuncian a toda responsabilidad por los daños no relacionados con defectos de materiales o fabricación en relación con el producto (incluyendo, pero no de forma exclusiva, los daños causados de forma directa o indirecta por cualquier software, o por combinar el producto de Thrustmaster con cualquier elemento no adecuado, incluyendo en particular fuentes de alimentación, baterías recargables, cargadores o cualquier otro elemento no suministrado por Guillemot para este producto).

### DECLARACIÓN DE CONFORMIDAD

NOTICIA DE CONFORMIDAD EN USA: este dispositivo cumple con los límites para dispositivos de computación de Clase B de acuerdo con la Parte 15 de las reglas FCC.

# **THRUSTMASTER®**

## **SOPORTE TÉCNICO**

<https://support.thrustmaster.com>



## COPYRIGHT

© 2022 Guillemot Corporation S.A. Todos los derechos reservados. Thrustmaster® es una marca comercial registrada de Guillemot Corporation S.A. Fabricado y distribuido por Guillemot Corporation S.A. Todas las demás marcas comerciales y nombres de marca se reconocen por la presente y son propiedad de sus respectivos dueños. Los contenidos, diseños y especificaciones están sujetos a cambios sin previo aviso y pueden variar de un país a otro. Fotos e ilustraciones no vinculantes. Diseñado en Norteamérica y Europa, fabricado en China.

Para usar exclusivamente con consolas PlayStation®5 y consolas PlayStation®4.

"PS", "PlayStation", "PS5", "PS4" y "PlayStation Shapes Logo" son marcas comerciales registradas o marcas comerciales de Sony Interactive Entertainment Inc. Todos los derechos reservados. Todas las demás marcas comerciales son propiedad de sus respectivos dueños. Fabricado y distribuido con licencia de Sony Interactive Entertainment LLC.

## RECOMENDACIÓN DE PROTECCIÓN AMBIENTAL



\* En la Unión Europea, Reino Unido y Turquía: Al terminar su vida útil, este producto no debe tirarse en un contenedor de basuras estándar, sino que debe dejarse en un punto de recogida de desechos eléctricos y equipamiento electrónico para ser reciclado.

Esto viene confirmado por el símbolo que se encuentra en el producto, manual del usuario o embalaje.

Dependiendo de sus características, los materiales pueden reciclarse. Mediante el reciclaje y otras formas de procesamiento de los desechos eléctricos y el equipamiento electrónico puedes contribuir de forma significativa a ayudar a proteger el medio ambiente.

Contacta con las autoridades locales para más información sobre el punto de recogida más cercano.

Para los demás países: cumpla las leyes locales sobre reciclaje de equipos eléctricos y electrónicos.

Esta información debe conservarse. Los colores y motivos decorativos pueden variar. Los adhesivos y los cierres de plástico se deben quitar del producto antes de utilizarlo.

[www.thrustmaster.com](http://www.thrustmaster.com)

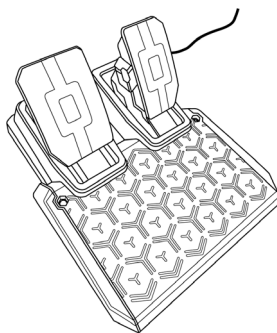
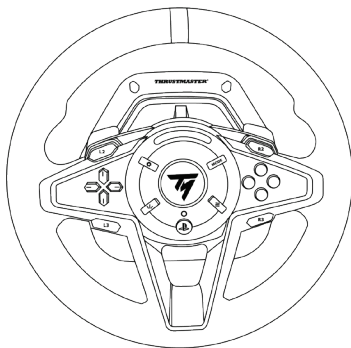
*\*Aplicable únicamente a la UE, Reino Unido y Turquía*



# T128

Para consolas PlayStation®5, consolas PlayStation®4 e PC\*

Manual do Utilizador



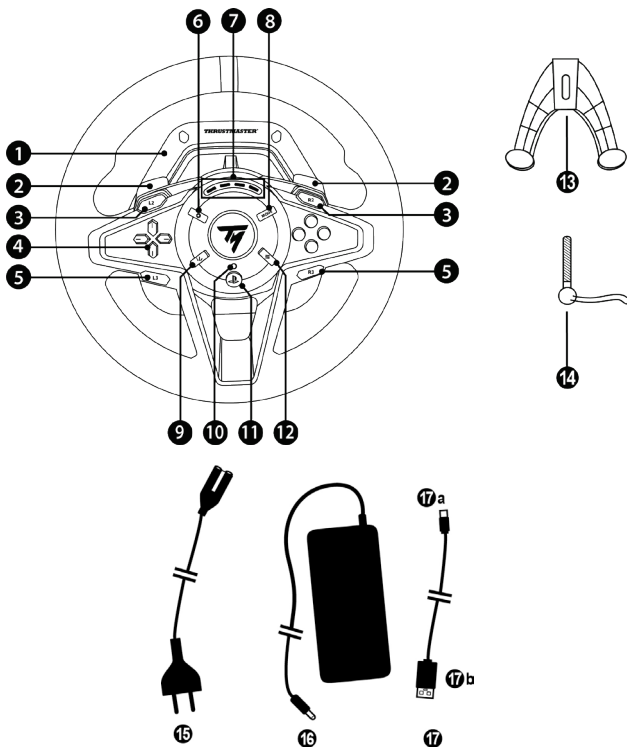
## **ATENÇÃO:**

Para garantir que o seu volante T128 funciona corretamente com jogos para as consolas PlayStation®5, consolas PlayStation®4 ou PC, poderá ter de instalar as atualizações automáticas do jogo

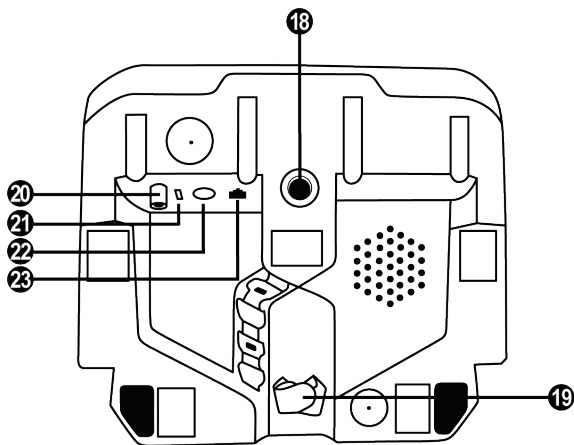
*(disponíveis quando a consola ou o PC está ligado à Internet).*

\* Compatibilidade com o PC (Windows® 10/11) não testada nem aprovada pela Sony Interactive Entertainment.

## CARACTERÍSTICAS TÉCNICAS



- 1 Base T128
- 2 2 patilhas de velocidades magnéticas (- e +)
- 3 Botões L2 e R2
- 4 Botões de direção
- 5 Botões L3 e R3
- 6 Botão DEFINIÇÕES
- 7 4 LED das RPM (visor da velocidade do motor)
- 8 Botão MODE
- 9 Botão SHARE nas consolas PS4™  
Botão CREATE nas consolas PS5™
- 10 LED do modo de jogo (azul, vermelho ou verde)
- 11 Botão PS
- 12 Botão OPTIONS nas consolas PS4™ e consolas PS5™
- 13 Sistema de fixação
- 14 Parafuso de aperto de metal
- 15 Cabo de alimentação (UE/EUA/RU, etc.)
- 16 Transformador
- 17 Cabo USB: USB-C (17a)/USB-A (17b)



- 18 Furo roscado grande (para sistema de fixação e parafuso de aperto)
- 19 Suporte de cabos com fecho autoaderente
- 20 Conector do transformador

- 21 Conector USB-C do volante
- 22 Conector mini-DIN para alavanca de velocidades, travão de mão ou concentrador Thrustmaster (*vendidos à parte*)
- 23 Conector RJ12 para conjunto de pedais



# AVISO

Antes de utilizar este produto, leia atentamente este manual e guarde-o para consulta futura.



## **Aviso – Choque elétrico**

- \* Conserve o produto num local seco e não o exponha ao pó nem à luz solar.
- \* Não torça nem puxe os conectores e cabos.
- \* Não derrame líquidos sobre o produto nem sobre os respetivos conectores.
- \* Não provoque um curto-circuito do produto.
- \* Nunca desmonte o produto, não o atire para o fogo e não o exponha a altas temperaturas.
- \* Não utilize um cabo de alimentação diferente do fornecido com o seu volante.
- \* Não utilize o cabo de alimentação se o cabo ou os respetivos conectores estiverem danificados, rachados ou partidos.
- \* Certifique-se de que o cabo de alimentação está devidamente ligado a uma tomada elétrica e ao conector situado na parte posterior da base do volante.
- \* Não abra o volante: não contém peças reparáveis pelo utilizador. Quaisquer reparações devem realizadas pelo fabricante, pelo respetivo representante autorizado ou por um técnico qualificado.
- \* Utilize apenas os sistemas de fixação/acessórios especificados pelo fabricante.
- \* Se o volante não estiver a funcionar normalmente (se estiver a emitir quaisquer sons, calor ou cheiros anormais), pare imediatamente de utilizá-lo, desligue o cabo de alimentação da tomada elétrica e desligue os outros cabos.
- \* Se prever que não irá utilizar o volante durante um longo período de tempo, desligue o respetivo cabo de alimentação da tomada elétrica.
- \* A tomada elétrica deve estar situada perto do equipamento e ser facilmente acessível.



Utilize apenas a fonte de alimentação indicada nas instruções do utilizador.

### **Informações sobre o transformador**

Informações publicadas	Valor	Unidade
Nome ou marca comercial do fabricante, número de registo comercial e morada	<b>GUILLEMOT CORPORATION S.A.</b> 414 196 758 Rennes Place du Granier BP 97143 35571 Chantepie Cedex França	
Identificador do modelo	<b>A481-1852590D</b>	
Tensão de entrada	<b>100 - 240</b>	V
Frequência de CA de entrada	<b>50 - 60</b>	Hz
Tensão de saída	<b>18,5</b>	V CC
Corrente de saída	<b>2,6</b>	A
Potência de saída	<b>47,9</b>	W
Eficiência ativa média	<b>87,8</b>	%
Eficiência com carga baixa (10%)	<b>87,8</b>	%
Consumo de energia sem carga	<b>0,10</b>	W



### **Aberturas de ventilação**

Certifique-se de que não bloqueia quaisquer aberturas de ventilação na base do volante. Para garantir uma ventilação ótima, proceda da seguinte forma:

- \* Posicione a base do volante pelo menos a 10 cm de distância das superfícies de quaisquer paredes.
- \* Não coloque a base em espaços apertados.
- \* Não cubra a base.
- \* Não permita a acumulação de pó nas aberturas de ventilação.



**Por motivos de segurança, nunca utilize o conjunto de pedais com os pés descalços ou apenas com meias calçadas.**

**A THRUSTMASTER® REJEITA QUALQUER RESPONSABILIDADE EM CASO DE FERIMENTOS RESULTANTES DA UTILIZAÇÃO DO CONJUNTO DE PEDAIS SEM SAPATOS.**



### **Aviso – Lesões causadas pelos efeitos Force Feedback e movimentos repetidos**

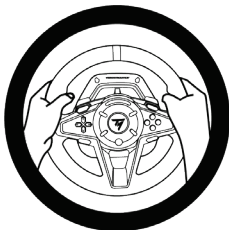
Jogar com um volante de efeitos Force Feedback pode causar dores nos músculos ou nas articulações. Para evitar quaisquer problemas:

- \* Evite períodos de jogo longos.
- \* Faça pausas de 10 a 15 minutos após cada hora de jogo.
- \* Se sentir fadiga ou dores nas mãos, pulsos, braços, pés ou pernas, pare de jogar e descanse durante algumas horas antes de voltar a jogar.
- \* Se os sintomas ou as dores indicados persistirem quando voltar a jogar, pare de jogar e consulte o seu médico.
- \* Guarde o volante fora do alcance das crianças.
- \* Durante o jogo, coloque sempre ambas as mãos posicionadas corretamente no volante sem largá-lo completamente.
- \* Durante o jogo, nunca coloque as mãos ou os dedos por baixo dos pedais ou perto do conjunto de pedais
- \* Durante a calibragem e o jogo, nunca coloque a mão ou o braço através das aberturas do volante.
- \* Certifique-se de que a base do volante está devidamente segura, de acordo com as instruções deste manual.



Produto para ser manuseado unicamente por utilizadores com 14 anos de idade ou mais velhos

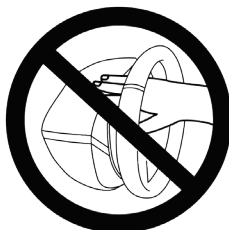
SEMPRE



NUNCA



NUNCA



**Aviso – Perigo de entalamento no conjunto de pedais ao jogar**

- \* Mantenha o conjunto de pedais fora do alcance das crianças.
- \* Durante o jogo, nunca coloque os dedos nos lados dos pedais ou perto dos mesmos.
- \* Durante o jogo, nunca coloque os dedos na base posterior do pedal ou perto da mesma.
- \* Durante o jogo, nunca coloque os dedos na base frontal do pedal ou perto da mesma.

NUNCA



NUNCA



NUNCA



**Aviso – Perigo de entalamento no conjunto de pedais ao não estar a jogar**

- \* Guarde o conjunto de pedais num lugar seguro e mantenha-o fora do alcance das crianças.

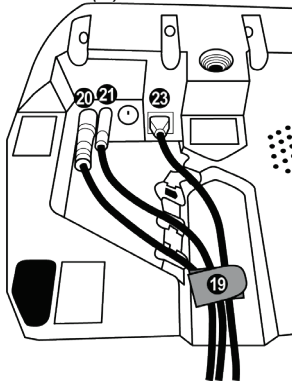
## FIXAR O VOLANTE

### Fixar o volante a uma mesa ou tampo de secretária

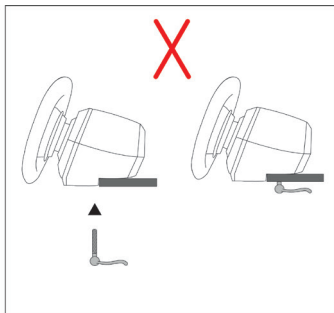
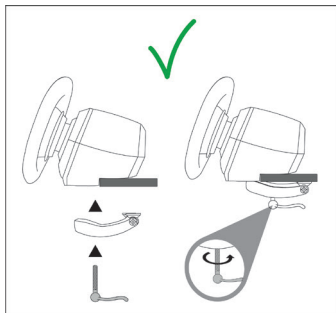
Comece por ligar à parte inferior do volante:

- O transformador (20);
- O cabo USB-C de desengate rápido (17a) ao conector USB-C (21);
- O conjunto de pedais T2PM (23).

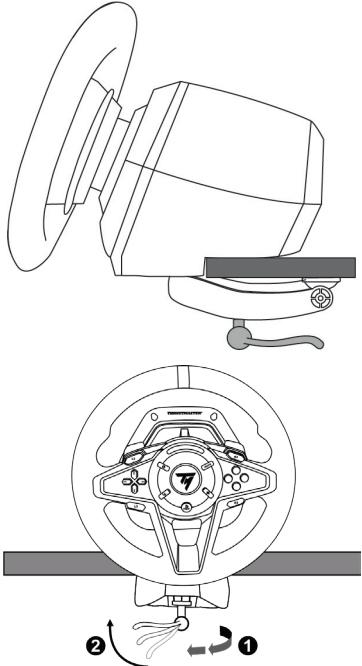
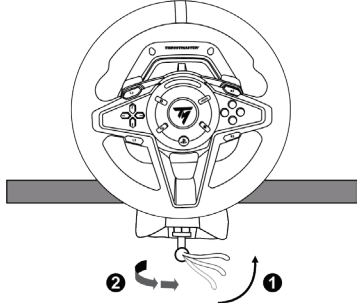
Certifique-se de que segue os caminhos para os diferentes cabos e prenda os cabos utilizando o suporte de cabos com fecho autoaderente (19).



1. Coloque o volante numa mesa ou em qualquer outra superfície horizontal, plana e estável.
2. Insira o parafuso de aperto (14) no sistema de fixação (13) e, em seguida, aperte o dispositivo rodando o parafuso no sentido contrário ao dos ponteiros do relógio, de forma que entre no orifício roscado grande (18) situado por baixo do volante, até o volante estar perfeitamente estável.



**ATENÇÃO:** Nunca aperte o parafuso sozinho sem o sistema de fixação instalado!  
Isto pode danificar o volante.

FIXAÇÃO / REMOÇÃO	DIREÇÃO
<p><b>Para apertar:</b></p> <p><i>Rode o parafuso no sentido contrário ao dos ponteiros do relógio</i></p>	
<p><b>Para soltar:</b></p> <p><i>Rode o parafuso no sentido dos ponteiros do relógio</i></p>	

# INSTALAÇÃO

## CALIBRAGEM AUTOMÁTICA DO VOLANTE E DO CONJUNTO DE PEDAIS

O volante calibra-se automaticamente quando o liga a uma tomada elétrica e liga o conector USB do volante à consola PlayStation®5, à consola PlayStation®4 ou ao PC.

Durante esta fase, o volante irá rodar rapidamente para a esquerda e para a direita, cobrindo um ângulo de 900 graus, antes de parar no centro.



### **ATENÇÃO:**

**Nunca toque no volante durante a fase de autocalibragem!**  
*(Isto pode causar uma calibragem incorreta e/ou ferimentos.)*

Nunca ligue o conjunto de pedais à base do volante (nem o desligue da base) quando estiver ligado à consola PlayStation® ou ao PC durante o jogo (isto pode resultar numa calibragem incorreta).

Ligue sempre o conjunto de pedais antes de ligar o volante à consola PlayStation®5, à consola PlayStation®4 ou ao PC.

Quando a calibragem do volante estiver concluída e o jogo tiver começado, os pedais serão calibrados automaticamente após algumas pressões.



### **ATENÇÃO:**

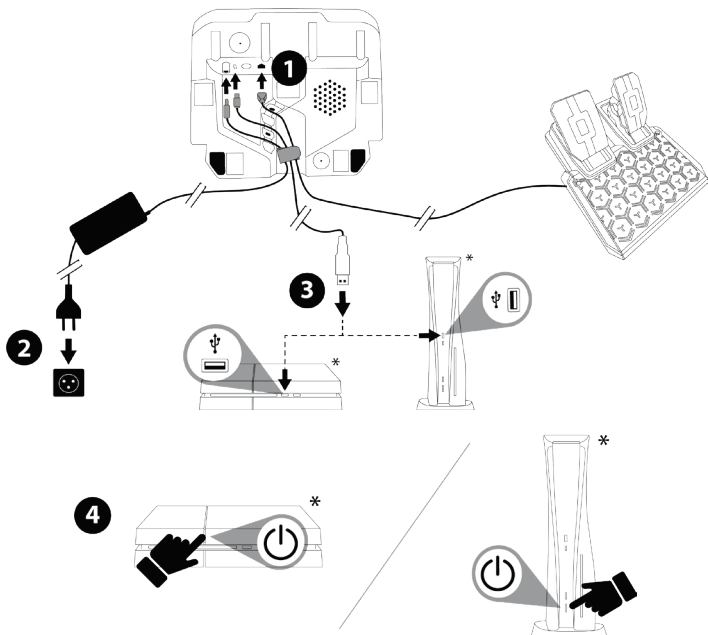
**Nunca pressione os pedais durante a fase de autocalibragem do volante ou enquanto um jogo estiver a ser carregado!**  
*(Isto pode resultar numa calibragem incorreta.)*

**Se o volante e/ou o conjunto de pedais não funcionam corretamente, ou caso pareçam estar calibrados incorretamente:**

- Desligue a consola ou o PC e desligue completamente os cabos do volante. Em seguida, volte a ligar todos os cabos (incluindo o cabo de alimentação e o conjunto de pedais) e reinicie a consola (ou o PC) e o jogo.
- Reconfigure o conjunto de pedais no modo **predefinido** utilizando o procedimento definido mais à frente neste manual do utilizador (página 16).

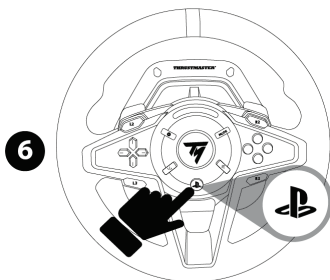
## INSTALAÇÃO EM CONSOLAS PLAYSTATION®4 OU EM CONSOLAS PLAYSTATION®5

1. Ligue o conjunto de pedais T2PM ao conector RJ12 (23) da base.
2. Ligue o cabo de alimentação e o transformador a uma tomada elétrica.
3. Ligue o cabo USB-C (17a) à porta USB-C (21) da base.  
Ligue o cabo USB-A (17b) a uma porta USB-A na consola PS4™ ou na consola PS5™.
4. Ligue a consola PlayStation®4 ou a consola PlayStation®5. O volante irá autocalibrar-se automaticamente.



\* Não incluído

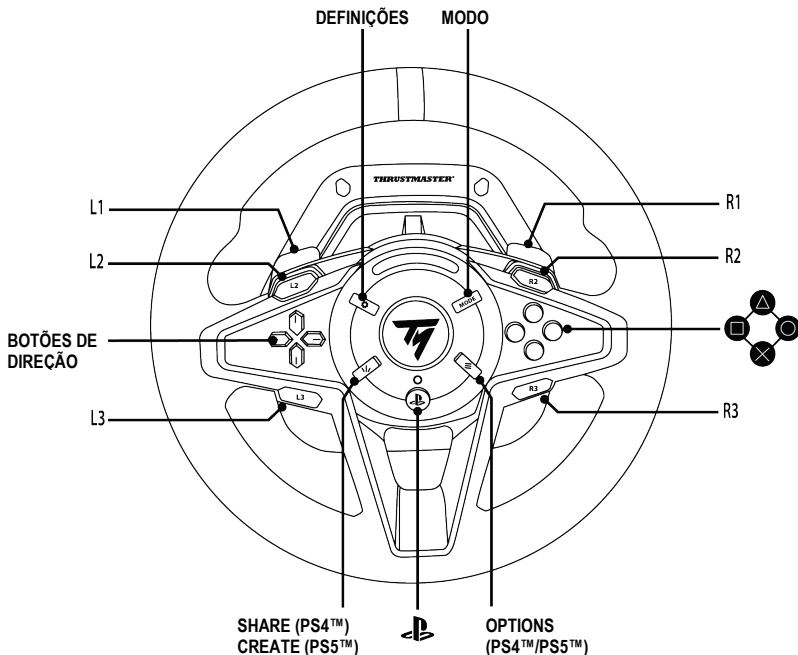
5. Se necessário, selecione o modo de jogo no qual pretende jogar através do procedimento descrito mais à frente neste manual do utilizador (página 15).
6. Prima o botão PS (**11**) do volante e inicie sessão na sua conta PlayStation™Network para que o volante fique funcional.



*Está agora pronto para começar a jogar!*



# MAPEAMENTO PARA CONSOLAS PLAYSTATION®4 OU CONSOLAS PLAYSTATION®5



## **Notas relativas às consolas PS4™ ou consolas PS5™:**

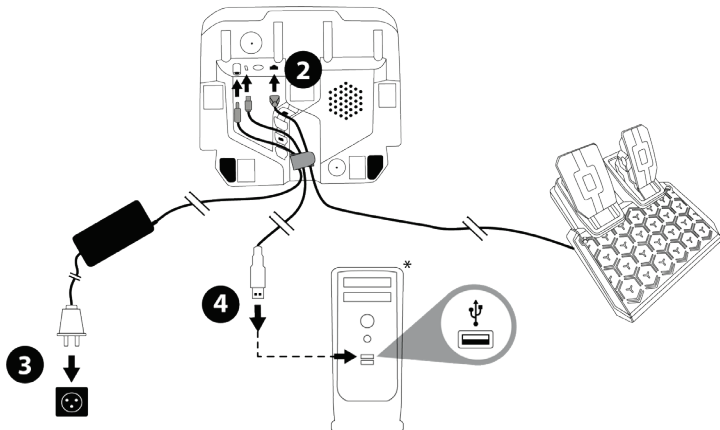
- O volante é reconhecido nos jogos como um volante Thrustmaster T-GT ou um volante Thrustmaster Advanced Racer.
- Os 4 LED das RPM do visor de velocidade do motor (7) funcionam nos jogos compatíveis com o Thrustmaster SDK. A lista de jogos compatíveis está disponível aqui: <https://support.thrustmaster.com> (na secção **Volantes / T128 / Configurações de jogos**). Esta lista é atualizada regularmente.
- A lista de jogos para as consolas PlayStation®4 e consolas PlayStation®5 compatíveis com o volante T128 está disponível aqui: <https://support.thrustmaster.com> (na secção **Volantes / T128 / Configurações de jogos**). Esta lista é atualizada regularmente.

## INSTALAÇÃO NO PC\*

\* Compatibilidade com o PC (Windows® 10/11) não testada nem aprovada pela Sony Interactive Entertainment.

1. Visite <https://support.thrustmaster.com> para transferir os controladores e o software de efeitos Force Feedback para o PC. Clique em **Volantes / T128 / Controladores**.
2. Ligue o conjunto de pedais T2PM ao conector RJ12 (23) da base.
3. Ligue o cabo de alimentação e o transformador a uma tomada elétrica.
4. Ligue o cabo USB-C (17a) à porta USB-C (21) da base.
5. Ligue o cabo USB-A (17b) a uma porta USB-A no PC.

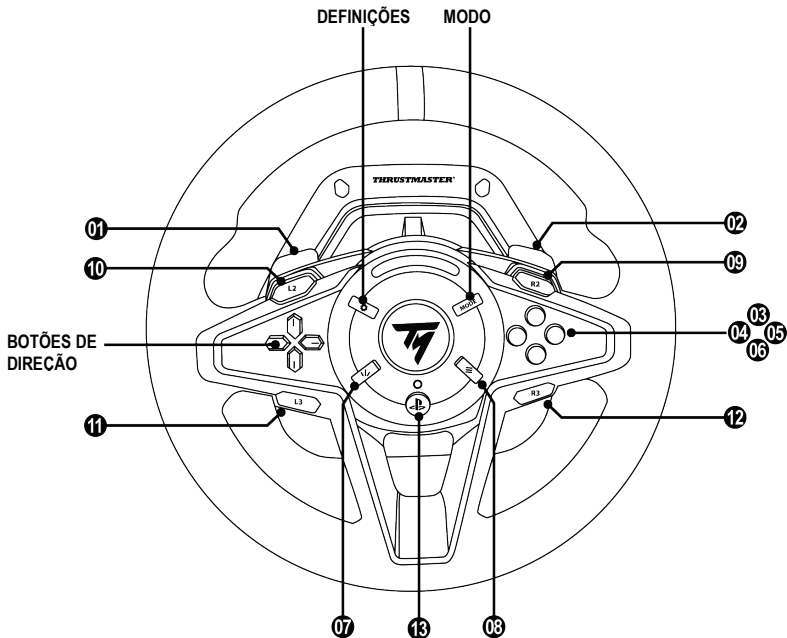
O volante autocalibra-se automaticamente.



6. Selecione **Iniciar / Thrustmaster / Volante FFB / Painel de Controlo** para abrir a janela **Controladores de jogos**. A janela **Controladores de jogos** mostra o nome do volante **Thrustmaster Advanced Mode Racer**, juntamente com o estado **OK**.
7. Clique em **Propriedades** para configurar o volante no painel de controlo do T128:

- **Separador Testar dispositivo**: permite-lhe testar e ver os botões de ações, botões de direção e eixos do volante (assim como os eixos do conjunto de pedais) e ajustar o ângulo de rotação do volante nos jogos para o PC.
- **Separador Testar efeitos**: permite-lhe testar 12 efeitos Force Feedback.
- **Separador Ajustar efeitos**: permite-lhe ajustar a potência dos efeitos Force Feedback nos jogos para o PC.

## MAPEAMENTO PARA O PC



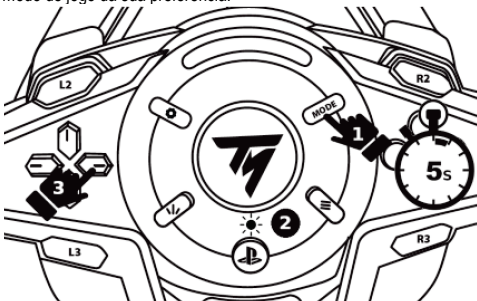
### Notas relativas ao PC:

- No painel de controlo e nos jogos, o volante é reconhecido sob o nome **Thrustmaster Advanced Mode Racer**.
- Feche sempre completamente a janela **Controladores de jogos** clicando em **OK** antes de iniciar o jogo.
- As definições e ajustes efetuados na janela **Controladores de jogos** apenas são guardados no PC (como tal, não terão qualquer efeito nas consolas PS4™ ou nas consolas PS5™).
- A versão do firmware do volante é apresentada na secção superior direita dos separadores do painel de controlo do T128.
- Os 4 LED das RPM do visor de velocidade do motor (7) estão funcionais nos jogos para o PC compatíveis com o Thrustmaster SDK. A lista de jogos compatíveis está disponível aqui: <https://support.thrustmaster.com> (na secção **Volantes / T128 / Configurações de jogos**). Esta lista é atualizada regularmente.

## SELECIONAR O MODO DE JOGO

### Procedimento:

1. Prima continuamente o botão MODO (8) durante 5 segundos, até o LED (10) situado por cima do botão PS começar a piscar.
2. Sem soltar o botão MODO (8), prima simultaneamente o botão de direção direito (4) para selecionar o modo de jogo da sua preferência.



COR DO LED	MODO DE JOGO
AZUL	PLAYSTATION® COMPATIBILIDADE NORMAL (modo predefinido)
VERMELHO	PLAYSTATION® COMPATIBILIDADE FUTURA
VERDE	PC

Depois de selecionar o modo de jogo, solte os botões: a sua seleção é guardada na memória interna do volante. O volante reinicia e autocalibra-se.

### Notas:

- Nas consolas PlayStation®4 e consolas PlayStation®5: para que o volante T128 fique funcional após a autocalibragem, prima o botão PS (11) e inicie sessão na sua conta PlayStation™Network.
- A lista de jogos compatíveis com a consola PlayStation®4 e a consola PlayStation®5 e o volante T128 (e o modo de jogo correspondente) está disponível aqui: <https://support.thrustmaster.com> (na secção **Volantes / T128 / Configurações de jogos**). Esta lista é atualizada regularmente.

## MODO DO CONJUNTO DE PEDAIS (Apresentado sempre que o volante reinicia)


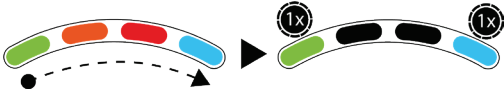

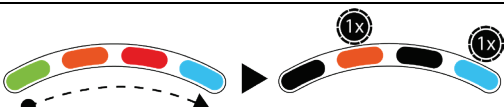
Sempre que o volante reinicia (e após a respetiva autocalibragem), os 4 LED das RPM (7) indicam o modo (posição e tipo) no qual está configurado o conjunto de pedais.

### Posição:

- **NORMAL:** posição predefinida; ou
- **INVERTIDO:** nesta posição, os pedais do acelerador e da embraiagem estão invertidos – esta posição apenas é possível com um conjunto de 3 pedais.

### Tipo:

- **T2PM-T3PA-T3PM** sem tecnologia Load Cell: **tipo predefinido;** ou
- **T-LCM** com tecnologia Load Cell.

MODO DO CONJUNTO DE PEDAIS	INTERMITÊNCIA DOS LED DAS RPM (7)
<b>MODO PREDEFINIDO</b> - Posição NORMAL - Tipo T2PM-T3PA-T3PM	<b>MODO PREDEFINIDO</b> 
- Posição NORMAL - Tipo T-LCM	
- Posição INVERTIDA - Tipo T2PM-T3PA-T3PM	
- Posição INVERTIDA - Tipo T-LCM	

## RECONFIGURAR O CONJUNTO DE PEDAIS NO MODO PREDEFINIDO (A realizar se o conjunto de pedais não estiver a funcionar corretamente)

### Procedimento:

- Prima **RAPIDAMENTE** o botão **DEFINIÇÕES (6)** 8 vezes.



Os 4 LED das RPM (7) piscam 5 vezes simultaneamente para indicar a reconfiguração no modo predefinido.



EN

FR

DE

NL

IT

ES

**PT**

RU

CS

TR

PL

日本語

繁體中文

한국어

العربية

## INVERTER A POSIÇÃO DOS PEDAIS (Se estiver a utilizar um conjunto de 3 pedais)

O volante T128 é fornecido por predefinição com o conjunto de 2 pedais T2PM. Este volante é igualmente compatível com os conjuntos de 3 pedais Thrustmaster T3PA, T3PM e T-LCM (vendidos à parte).

Se estiver a utilizar um conjunto de 3 pedais, é possível inverter eletronicamente os pedais do acelerador e da embraiagem.

### Procedimento:

- Prima continuamente o botão **DEFINIÇÕES (6)** durante **5 segundos**.



A inversão dos pedais é guardada instantaneamente na memória interna do volante e um dos 4 LED das RPM (7) pisca 3 vezes para indicar a posição selecionada.

PEDAIS DO ACELERADOR E DA EMBRAIAGEM	INTERMITÊNCIA DOS LED DAS RPM (7)
<b>MODO PREDEFINIDO</b> - Posição NORMAL	
- Posição INVERTIDA	

# MUDAR MANUALMENTE O CONJUNTO DE PEDAIS DO TIPO T2PM-T3PA-T3PM PARA O TIPO T-LCM (e vice-versa)

Por predefinição, o modo do conjunto de pedais é o tipo **T2PM-T3PA-T3PM**.

Este modo está guardado na memória interna da base do volante e permanece ativado continuamente, exceto se ligar um conjunto de pedais T-LCM à porta RJ12 ou mudar o modo manualmente.

## Procedimento:

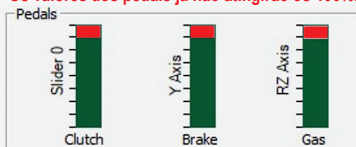
- Prima continuamente em simultâneo o botão **DEFINIÇÕES (6)** e a **patilha de velocidades esquerda (-)** durante **5 segundos**.



MODO	INTERMITÊNCIA DOS LED DAS RPM (7)
<b>MODO PREDEFINIDO</b> - Tipo T2PM-T3PA-T3PM	
- Tipo T-LCM	



Com o tipo T-LCM, os conjuntos de pedais T2PM, T3PA e T3PM não funcionarão corretamente.  
Os valores dos pedais já não atingirão os 100%.



Para repor o funcionamento correto (e atingir os 100%), terá de mudar manualmente o modo da base do volante para o tipo T2PM-T3PA-T3PM.



## ALTERAR MANUALMENTE O ÂNGULO DE ROTAÇÃO ATRAVÉS DO VOLANTE

(apenas possível nos jogos nos quais o ângulo de rotação não é ajustado automaticamente)

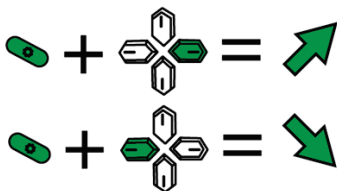
O volante T128 tem um ângulo de rotação ajustável entre 270° e 900°.

Em muitos jogos, o ângulo de rotação é automático e ajusta-se sozinho de acordo com o automóvel utilizado. Nestes jogos, não é possível alterar manualmente este ângulo de rotação, uma vez que esta função é gerida pelo jogo e não pelo utilizador.

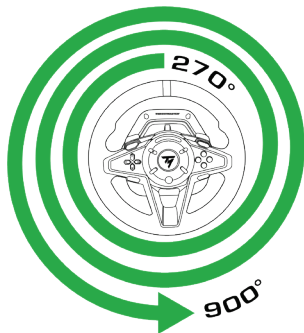
Noutros jogos, é possível alterar manualmente o ângulo de rotação diretamente através do volante.

### Procedimento:

- Prima simultaneamente o **botão DEFINIÇÕES (6)** e o **botão de direção direito (4)** para aumentar o ângulo de rotação um passo; ou
- Prima simultaneamente o **botão DEFINIÇÕES (6)** e o **botão de direção esquerdo (4)** para diminuir o ângulo de rotação um passo.



4 níveis possíveis	
Ângulo de rotação selecionado	LED DAS RPM (7)
270°	
360°	
540°	
900°	



**Nota:** O ângulo de rotação modificado manualmente através do volante não é guardado permanentemente. Este procedimento tem de ser realizado sempre que o jogo ou o volante reinicia.

## OUTRAS FUNCIONALIDADES RELATIVAS AO BOTÃO DEFINIÇÕES (6)

Vá até <https://support.thrustmaster.com>.

Clique em **Volantes / T128**, seguido de **Manual** ou **FAQ**.

## ATUALIZAR O FIRMWARE DO VOLANTE

Visite <https://support.thrustmaster.com>.

Clique em **Volantes / T128 / Firmware** e siga as instruções.

## SUGESTÕES DIVERSAS E PERGUNTAS FREQUENTES

Visite <https://support.thrustmaster.com>.

Clique em **Volantes / T128**, seguido de **Manual** ou **FAQ**.

EN

FR

DE

NL

IT

ES

**PT**

RU

CS

TR

PL

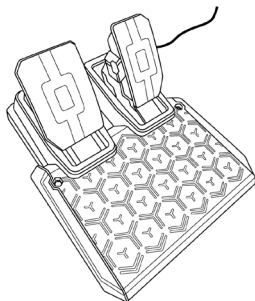
日本語

繁體中文

한국어

العربية

# CONJUNTO DE PEDAIS T2PM



## AVISO

Antes de utilizar este produto, leia atentamente este manual e guarde-o para consulta futura.



Por motivos de segurança, nunca utilize o conjunto de pedais com os pés descalços ou apenas com meias calçadas.

**A THRUSTMASTER® REJEITA QUALQUER RESPONSABILIDADE EM CASO DE FERIMENTOS RESULTANTES DA UTILIZAÇÃO DO CONJUNTO DE PEDAIS SEM SAPATOS.**



### **Aviso – Perigo de entalamento no conjunto de pedais ao jogar**

- \* Mantenha o conjunto de pedais fora do alcance das crianças.
- \* Durante o jogo, nunca coloque os dedos nos lados dos pedais ou perto dos mesmos.
- \* Durante o jogo, nunca coloque os dedos na base posterior do pedal ou perto da mesma.
- \* Durante o jogo, nunca coloque os dedos na base frontal do pedal ou perto da mesma.

**NUNCA**



**NUNCA**



**NUNCA**

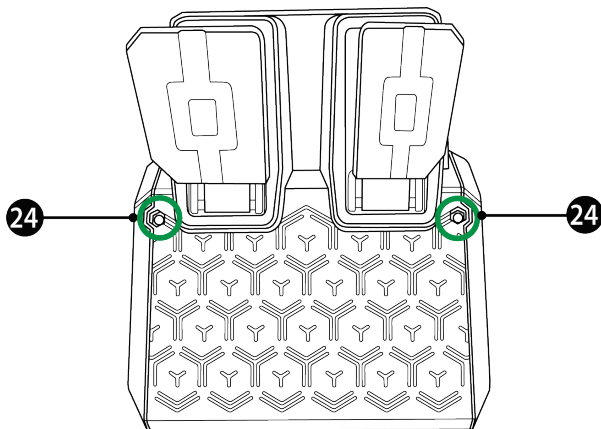


### **Aviso – Perigo de entalamento no conjunto de pedais ao não estar a jogar**

- \* Guarde o conjunto de pedais num lugar seguro e mantenha-o fora do alcance das crianças.

## FIXAR O CONJUNTO DE PEDAIS NUM SUPORTE OU COCKPIT

O conjunto de pedais pode ser fixado numa variedade de diferentes suportes (vendidos à parte) utilizando os dois orifícios (24) situados de cada lado do conjunto de pedais.



**Se o volante e/ou o conjunto de pedais não funcionam corretamente, ou caso pareçam estar calibrados incorretamente:**

Desligue a consola ou o PC e desligue completamente o volante. Em seguida, volte a ligar todos os cabos (incluindo o cabo de alimentação e o conjunto de pedais) e reinicie a consola (ou o PC) e o jogo.

## **INFORMAÇÕES SOBRE A GARANTIA PARA O CONSUMIDOR**

A Guillemot Corporation S.A., com sede social sita em Place du Granier, B.P. 97143, 35571 Chantepe, França (a seguir designada como "Guillemot") garante a nível mundial ao consumidor que este produto Thrustmaster está livre de defeitos em termos de materiais e fabrico durante um período de garantia que corresponde ao limite de tempo para intentar uma ação de conformidade relativamente a este produto. Nos países da União Europeia, isto corresponde a um período de dois (2) anos desde a entrega do produto Thrustmaster. Noutros países, o período de garantia corresponde ao limite de tempo para intentar uma ação de conformidade relativamente ao produto Thrustmaster de acordo com a legislação em vigor do país no qual o consumidor reside à data de compra do produto Thrustmaster (se a dita ação não existir no país correspondente, então o período de garantia será de um (1) ano a partir da data de compra original do produto Thrustmaster).

No caso de o produto apresentar algum defeito durante o período da garantia, contacte imediatamente o Suporte Técnico, que lhe indicará o procedimento a tomar. Se esse defeito se confirmar, o produto terá de ser devolvido ao respetivo local de compra (ou qualquer outro local indicado pelo Suporte Técnico).

No âmbito da presente garantia, e por opção do Suporte Técnico, o produto defeituoso do consumidor será substituído ou reparado. Se, durante o período da garantia, o produto Thrustmaster for submetido à dita reparação, qualquer período mínimo de (7) dias durante o qual o produto estiver fora de serviço será adicionado ao período da garantia restante (este período decorre desde a data do pedido intervenção pelo consumidor ou desde a data em que o produto em questão é disponibilizado para reparação, se a data em que o produto é disponibilizado para reparação for posterior à data do pedido de intervenção). Se for permitido pela legislação em vigor, a responsabilidade total da Guillemot e das respetivas filiais (incluindo para danos indiretos) está limitada à reparação ou à substituição do produto Thrustmaster. Se for permitido pela legislação em vigor, a Guillemot rejeita todas as garantias de comercialização ou adequação a um fim específico.

A presente garantia não se aplicará: (1) se o produto tiver sido modificado, aberto, alterado ou danificado em resultado de utilização inadequada ou abusiva, negligência, acidente, desgaste normal ou qualquer outra causa relacionada com um defeito de material ou fabrico (incluindo, mas sem limitação, combinar o produto Thrustmaster com qualquer elemento inadequado, incluindo, em particular, fontes de alimentação, baterias recarregáveis, carregadores ou quaisquer outros elementos não fornecidos pela Guillemot para este produto); (2) se o produto tiver sido utilizado fora do âmbito da utilização doméstica, incluindo para fins profissionais ou comerciais (salas de jogos, treino e competições, por exemplo); (3) na eventualidade de incumprimento das instruções fornecidas pelo Suporte Técnico; (4) a software, estando o mesmo sujeito a uma garantia específica; (5) a consumíveis (elementos para substituir ao longo da vida útil do produto: baterias descartáveis, auscultadores de áudio ou auriculares de auscultadores, por exemplo); (6) a acessórios (cabos, estojos, bolsas, sacos e correias de pulso, por exemplo); (7) se o produto foi vendido num leilão público.

A presente garantia não é transmissível.

Os direitos legais do consumidor no que concerne à legislação aplicável à venda de bens de consumo no seu país não são afetados pela presente garantia.

### Disposições de garantia adicionais

Durante o período da garantia, a Guillemot não fornecerá, em princípio, quaisquer peças de substituição, uma vez que o Suporte Técnico é a única parte autorizada a abrir e/ou reparar qualquer produto Thrustmaster (à exceção de quaisquer procedimentos de reparação que o Suporte Técnico possa pedir ao consumidor para realizar, através de instruções por escrito – por exemplo, devido à simplicidade e à falta de confidencialidade do processo de reparação – e fornecendo ao consumidor a(s) peça(s) de substituição necessária(s), quando aplicável).

Tendo em conta os seus ciclos de inovação, e a fim de proteger o seu know-how e segredos comerciais, a Guillemot não fornecerá, em princípio, qualquer notificação de reparação ou peças de substituição para produtos Thrustmaster cujo período da garantia tenha expirado.

### Responsabilidade

Se for permitido ao abrigo da legislação aplicável, a Guillemot Corporation S.A. (a seguir designada "Guillemot") e as respetivas filiais rejeitam qualquer responsabilidade por danos resultantes de uma ou mais das seguintes causas: (1) o produto foi modificado, aberto ou alterado; (2) incumprimento das instruções de montagem; (3) utilização inadequada ou abusiva, negligência ou acidente (um impacto, por exemplo); (4) desgaste normal; (5) utilização do produto fora do âmbito além da utilização doméstica, incluindo para fins profissionais ou comerciais (salas de jogos, treino e competições, por exemplo). Se for permitido ao abrigo da legislação aplicável, a Guillemot e as respetivas filiais rejeitam qualquer responsabilidade por danos relacionados com um defeito de material ou fabrico relativamente ao produto (incluindo, mas sem limitação, quaisquer danos causados direta ou indiretamente por qualquer software ou por combinar o produto Thrustmaster com qualquer elemento inadequado, incluindo, em particular, fontes de alimentação, baterias recarregáveis, carregadores ou quaisquer outros elementos não fornecidos pela Guillemot para este produto).

**THRUSTMASTER®**

**SUPOORTE TÉCNICO**

<https://support.thrustmaster.com>



## DIREITOS DE AUTOR

©2022 Guillemot Corporation S.A. Todos os direitos reservados. Thrustmaster® é uma marca registada da Guillemot Corporation S.A. Fabricado e distribuído pela Guillemot Corporation S.A. Todas as outras marcas comerciais e nomes de marcas são por este meio reconhecidos e pertencem aos respetivos proprietários. Os conteúdos, os desenhos e as especificações estão sujeitos a alteração sem aviso prévio e poderão variar consoante o país. As fotografias e ilustrações não são vinculativas. Concebido na América do Norte e Europa, fabricado na China.

Para utilização exclusivamente com consolas PlayStation®5 e consolas PlayStation®4.

“PS”, “PlayStation”, “PS5”, “PS4” e “PlayStation Shapes Logo” são marcas registadas ou marcas comerciais da Sony Interactive Entertainment Inc. Todos os direitos reservados. Todas as outras marcas comerciais pertencem aos respetivos proprietários. Fabricado e distribuído sob licença da Sony Interactive Entertainment LLC.

## RECOMENDAÇÕES DE PROTECÇÃO AMBIENTAL



- \* Na União Europeia, Reino Unido e Turquia: quando este produto chegar ao fim da sua vida útil, não o elimine juntamente com os resíduos domésticos normais; em vez disso, deixe-o num ponto de recolha de resíduos de equipamento eléctrico e electrónico (REEE) para posterior reciclagem.

O símbolo presente no produto, no manual de utilizador ou na caixa confirma-o.

Os materiais podem ser reciclados, dependendo das suas características. Através da reciclagem e de outras formas de processamento de resíduos de equipamento eléctrico e electrónico, pode dar um importante contributo no sentido de ajudar a proteger o ambiente.

Contacte as autoridades locais para saber onde fica o ponto de recolha mais perto da sua área de residência.

Relativamente a todos os outros países: Respeite a legislação local sobre a reciclagem de equipamento eléctrico e electrónico.

Informações a reter. As cores e as decorações podem variar.

Os fechos e os adesivos devem ser removidos do produto antes da utilização.

**[www.thrustmaster.com](http://www.thrustmaster.com)**

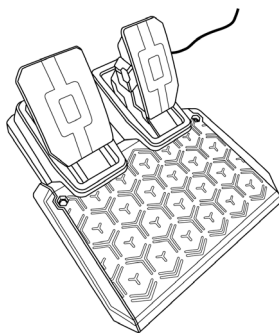
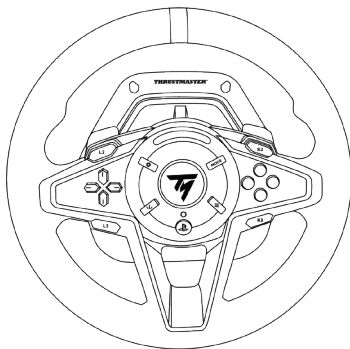
*\*Aplicável apenas à União Europeia, Reino Unido e Turquia*



# T128

Para consoles PlayStation®5, consoles PlayStation®4 e PC\*

Manual do Usuário



## **AVISO:**

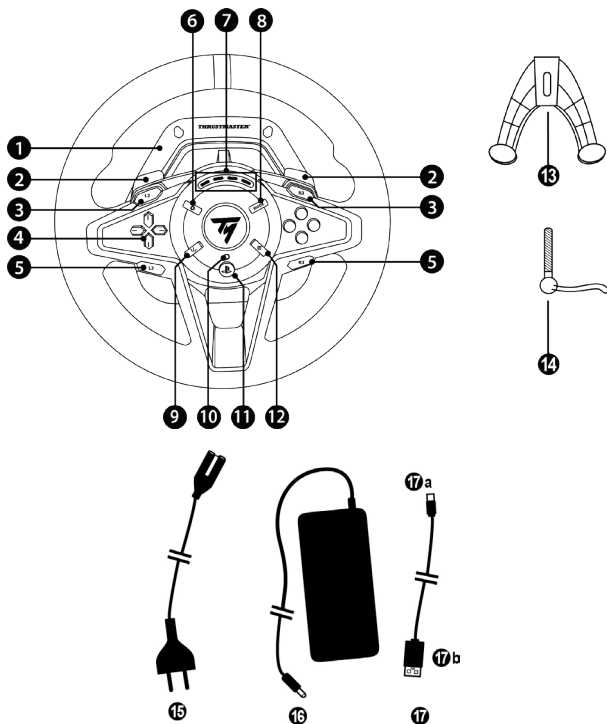
Para garantir que o volante T128 funcione corretamente com jogos para consoles PlayStation®5, consoles PlayStation®4 ou PC, talvez seja necessário instalar as atualizações automáticas do jogo

*(disponíveis quando o console ou PC estiver conectado à Internet).*

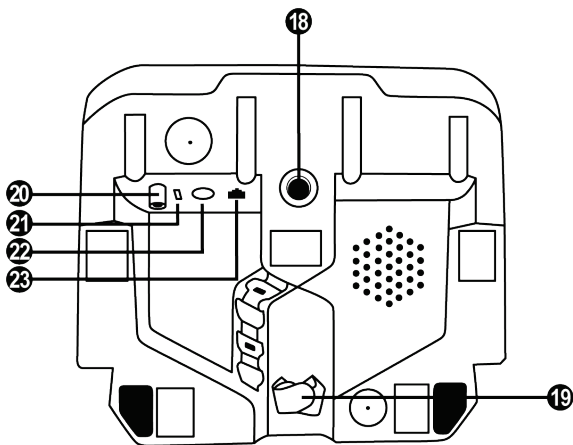
\*A compatibilidade com PC (Windows® 10/11) não foi testada ou aprovada pela Sony Interactive Entertainment.



## CARACTERÍSTICAS TÉCNICAS



- |   |   |    |  |
|---|---|----|--|
| 1 | Base do T128  | 10 | LED do modo de jogo (azul, vermelho ou verde)  |
| 2 | 2 borboletas magnéticas de câmbio (- e +)                     | 11 | Botão PS                                       |
| 3 | Botões L2 e R2  | 12 | Botão OPTIONS em consoles PS4™ e consoles PS5™ |
| 4 | Botões direcionais  | 13 | Sistema de fixação                             |
| 5 | Botões L3 e R3  | 14 | Parafuso de metal para fixação                 |
| 6 | Botão CONFIGURAÇÕES   | 15 | Cabo de alimentação (UE/EUA/Reino Unido...)    |
| 7 | 4 LEDs de RPM (velocidade do motor)                           | 16 | Adaptador de alimentação                       |
| 8 | Botão MODE  | 17 | Cabo USB: USB-C (17a) – USB-A (17b)            |
| 9 | Botão SHARE em consoles PS4™<br>Botão CREATE em consoles PS5™ |    |  |



**18** Orifício com rosca (para sistema e parafuso de fixação)

**19** Suporte de cabo com velcro de fixação

**20** Conector do adaptador de alimentação

**21** Conector USB-C do volante

**22** Conector Mini-DIN para câmbio, freio de mão ou hub Thrustmaster (*vendidos separadamente*)

**23** Conector RJ12 para conjunto de pedais

# AVISO

Antes de usar este produto, leia atentamente este manual e guarde-o para referência futura.



## **Aviso – Choque elétrico**

- \* Mantenha o produto em um local seco e não o exponha ao pó ou à luz solar.
- \* Não torça nem puxe os conectores e cabos.
- \* Não derrame qualquer líquido no produto ou nos seus conectores.
- \* Não cause curto-circuito no produto.
- \* Nunca desmonte o produto; não o jogue no fogo e não o exponha a altas temperaturas.
- \* Não use um cabo de alimentação diferente do fornecido com o volante.
- \* Não use o cabo de alimentação se o cabo ou seus conectores estiverem danificados, rachados ou quebrados.
- \* Certifique-se de que o cabo de alimentação esteja devidamente conectado a uma tomada elétrica e ao conector na parte traseira da base do volante.
- \* Não abra o volante: não há peças internas que possam ser reparadas pelo usuário. Os reparos devem ser realizados pelo fabricante, pelo seu representante autorizado ou por um técnico qualificado.
- \* Use apenas sistemas de fixação/acessórios especificados pelo fabricante.
- \* Se o volante estiver funcionando de maneira anormal (se estiver emitindo sons, calor ou odores anormais), pare de usá-lo imediatamente, desconecte o cabo de alimentação da tomada elétrica e desconecte os outros cabos.
- \* Se você não for usar o volante por um longo período, desconecte o cabo de alimentação da tomada elétrica.
- \* A tomada elétrica deve estar localizada perto do equipamento, e deve ser facilmente acessível.



Use apenas a fonte de alimentação listada nas instruções do usuário.

### **Informações para adaptador de fonte de alimentação**

Informação publicada	Valor	Unidade
Nome do fabricante ou marca comercial, número de registro comercial e endereço	<b>GUILLEMOT CORPORATION S.A.</b> 414 196 758 Rennes Place du Granier BP 97143 35571 Chantepie Cedex França	
Identificador do modelo	<b>A481-1852590D</b>	
Tensão de entrada	<b>100 - 240</b>	V
Frequência CA de entrada	<b>50 - 60</b>	Hz
Tensão de saída	<b>18,5</b>	V CC
Corrente de saída	<b>2,6</b>	A
Potência de saída	<b>47,9</b>	W
Eficiência ativa média	<b>87,8</b>	%
Eficiência em carga baixa (10%)	<b>87,8</b>	%
Consumo de energia sem carga	<b>0,10</b>	W



### **Aberturas de ventilação**

Certifique-se de não bloquear nenhuma das aberturas de ventilação na base do volante. Para garantir a ventilação ideal, certifique-se de fazer o seguinte:

- \* Posicione a base do volante a pelo menos 10 cm de distância de qualquer superfície.
- \* Não coloque a base em espaços apertados.
- \* Não cubra a base.
- \* Não deixe que qualquer poeira se acumule nas aberturas de ventilação.



**Por razões de segurança, nunca use o conjunto de pedais com os pés descalços ou enquanto estiver usando apenas meias nos pés.  
A THRUSTMASTER® RENUNCIA A TODA A RESPONSABILIDADE EM CASO DE LESÃO DECORRENTE DO USO DO CONJUNTO DE PEDAIS SEM SAPATOS.**



### **Aviso – Lesões devido ao Force Feedback e movimentos repetidos**

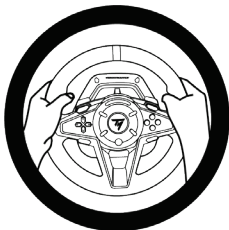
Jogar com um volante com Force Feedback pode causar dores musculares ou nas articulações. Para evitar problemas:

- \* Evite jogar por longos períodos.
- \* Faça intervalos de 10 a 15 minutos após cada hora de jogo.
- \* Se sentir fadiga ou dor nas mãos, pulsos, braços, pés ou pernas, pare de jogar e descanse por algumas horas antes de começar a jogar novamente.
- \* Se os sintomas ou dores indicados persistirem quando você começar a jogar novamente, pare de jogar e consulte um médico.
- \* Mantenha fora do alcance de crianças.
- \* Durante o jogo, sempre deixe as duas mãos posicionadas corretamente no volante, sem soltar completamente.
- \* Durante o jogo, nunca coloque as mãos ou dedos sob os pedais ou em qualquer lugar próximo ao conjunto de pedais.
- \* Durante a calibragem e o jogo, nunca coloque a mão ou o braço nas aberturas do volante.
- \* Certifique-se de que a base do volante está devidamente fixada, de acordo com as instruções deste manual.



Produto a ser manuseado apenas por usuários maiores de 14 anos

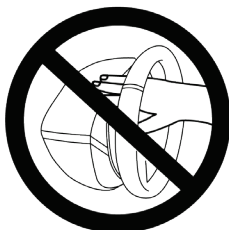
SEMPRE



NUNCA



NUNCA



**Aviso – Perigo de esmagamento do pedal ao jogar**

- \* Mantenha o conjunto de pedais fora do alcance de crianças.
- \* Durante o jogo, nunca coloque os dedos sobre ou perto das laterais dos pedais.
- \* Durante o jogo, nunca coloque os dedos sobre ou perto da base traseira dos pedais.
- \* Durante o jogo, nunca coloque os dedos sobre ou perto da base frontal dos pedais.

NUNCA



NUNCA



NUNCA



**Aviso – Perigo de esmagamento do pedal ao não jogar**

- \* Guarde o conjunto de pedais em um local seguro e mantenha-o fora do alcance de crianças.

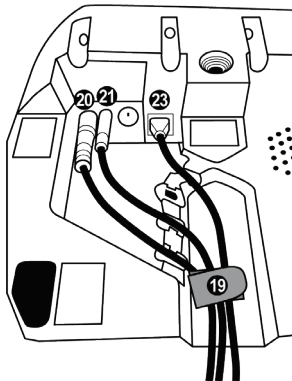
## FIXAÇÃO DO VOLANTE

### Fixe o volante a uma mesa ou escrivaninha

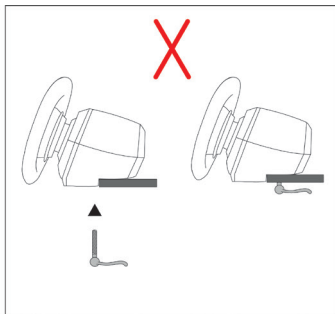
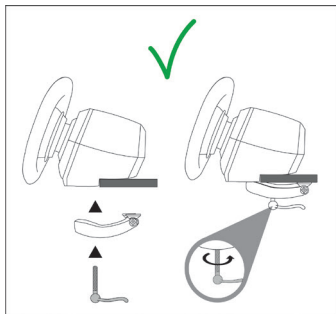
Comece conectando na parte inferior do volante:

- o adaptador de alimentação (20);
- o cabo USB-C com liberação rápida (17a) ao conector USB-C (21);
- o conjunto de pedais T2PM (23).

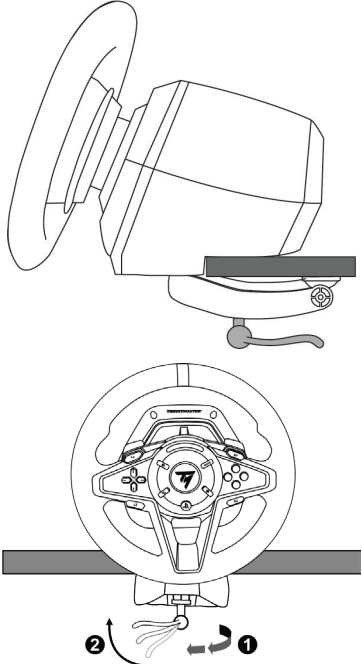
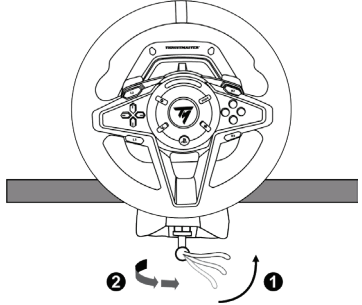
Certifique-se de seguir os caminhos para os diferentes cabos e prenda-os usando o suporte com velcro (19).



1. Coloque o volante sobre uma mesa ou qualquer outra superfície horizontal, plana e estável.
2. Insira o parafuso de fixação (14) no sistema de fixação (13), depois aperte o dispositivo girando o parafuso no sentido anti-horário, de modo que ele entre no grande orifício com rosco (18) localizado embaixo do volante, até que o volante esteja perfeitamente estável.



**AVISO:** Nunca aperte o parafuso sozinho sem o sistema de fixação no lugar!  
Isso pode danificar o volante.

FIXAÇÃO / REMOÇÃO	DIREÇÃO
<p><b>Para apertar:</b></p> <p><i>Gire o parafuso no sentido anti-horário</i></p>	 <p>The diagram illustrates the process of locking the steering wheel. The top part shows a side view of the steering wheel being pushed forward against a horizontal bar. The bottom part shows a top-down view of the steering wheel with a central knob. An arrow labeled '1' indicates the knob being turned counter-clockwise, and an arrow labeled '2' indicates the knob being pushed down. The steering wheel is shown resting on a horizontal bar.</p>
<p><b>Para soltar:</b></p> <p><i>Gire o parafuso no sentido horário</i></p>	 <p>The diagram illustrates the process of unlocking the steering wheel. The top part shows a side view of the steering wheel being pulled back away from a horizontal bar. The bottom part shows a top-down view of the steering wheel with a central knob. An arrow labeled '1' indicates the knob being turned clockwise, and an arrow labeled '2' indicates the knob being pushed up. The steering wheel is shown resting on a horizontal bar.</p>

# INSTALAÇÃO

## CALIBRAGEM AUTOMÁTICA DO VOLANTE E DO CONJUNTO DE PEDAIS

O volante é calibrado automaticamente ao conectá-lo a uma tomada e ao conector USB do console PlayStation®5, do console PlayStation®4 ou do PC.

Durante esta fase, o volante irá girar rapidamente para a esquerda e para a direita, cobrindo um ângulo de 900 graus antes de parar no centro.



**AVISO:**

**Nunca toque no volante durante a calibragem automática!**  
***(Isso pode causar uma calibragem incorreta e/ou ferimentos.)***

Nunca conecte o conjunto de pedais à base do volante (ou desconecte-o da base) quando ele estiver conectado ao console PlayStation® ou ao PC, ou durante o jogo (isso pode resultar em calibragem inadequada).

Sempre conecte o conjunto de pedais antes de conectar o volante ao console PlayStation®5, ao console PlayStation®4 ou ao PC.

Assim que a calibragem do volante estiver concluída e o jogo tiver sido iniciado, os pedais serão calibrados automaticamente após algumas pressões.



**AVISO:**

**Nunca pressione os pedais durante a calibragem do volante ou enquanto um jogo estiver sendo carregado!**  
***(Isso pode resultar em calibragem inadequada.)***

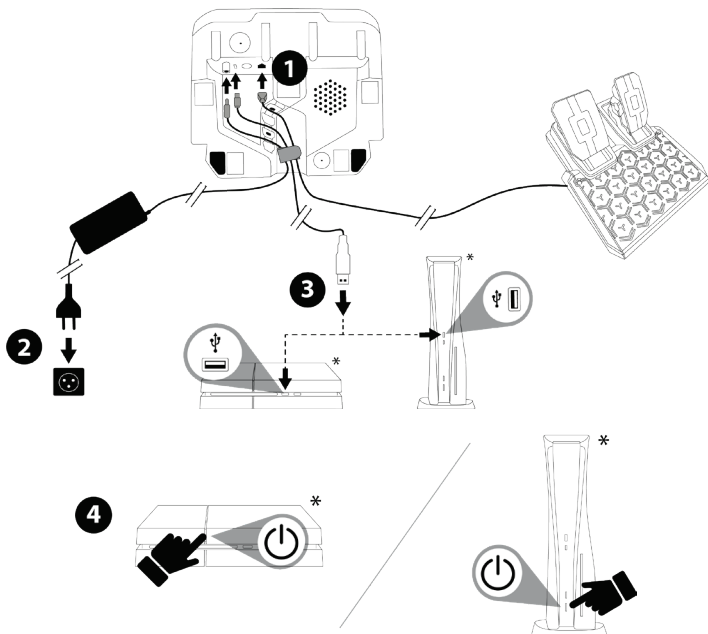
**Se o volante e/ou o conjunto de pedais não funciona corretamente, ou parece estar calibrado incorretamente:**

- Desligue o console ou PC e desconecte o volante completamente. Depois reconecte todos os cabos (incluindo o cabo de alimentação e o conjunto de pedais) e reinicie o console (ou PC) e o jogo.
- Reconfigure o conjunto de pedais no modo **padrão** usando o procedimento definido mais à frente neste manual do usuário (página 16).



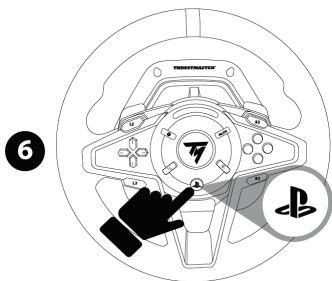
## INSTALAÇÃO EM CONSOLES PLAYSTATION®4 OU EM CONSOLES PLAYSTATION®5

1. Conecte o conjunto de pedais T2PM ao conector RJ12 (23) da base.
2. Conecte o cabo de alimentação e o adaptador de alimentação a uma tomada elétrica.
3. Conecte o cabo USB-C (17a) à porta USB-C (21) da base.  
Conecte o cabo USB-A (17b) a uma porta USB-A no console PS4™ ou no console PS5™.
4. Ligue o console PlayStation®4 ou o console PlayStation®5. O volante será calibrado automaticamente.



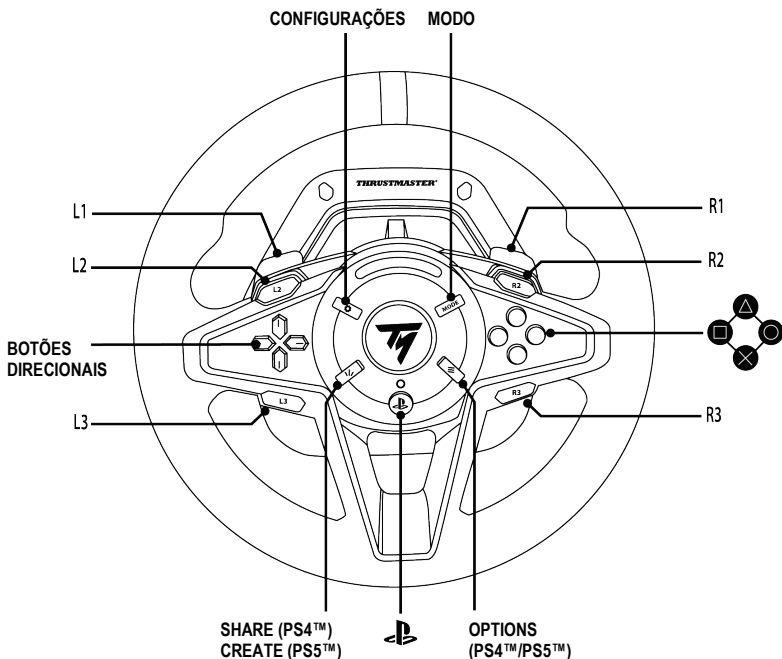
\*Não incluído

5. Caso necessário, selecione o MODO do jogo que você deseja jogar de acordo com o procedimento definido mais adiante neste manual (na página 15).
6. Pressione o botão PS (**11**) do volante e faça o login na sua conta da PlayStation™Network para que o volante funcione.



***Você está pronto para jogar!***

# MAPEAMENTO PARA CONSOLES PLAYSTATION®4 OU CONSOLES PLAYSTATION®5



## Notas sobre consoles PS4™ ou consoles PS5™:

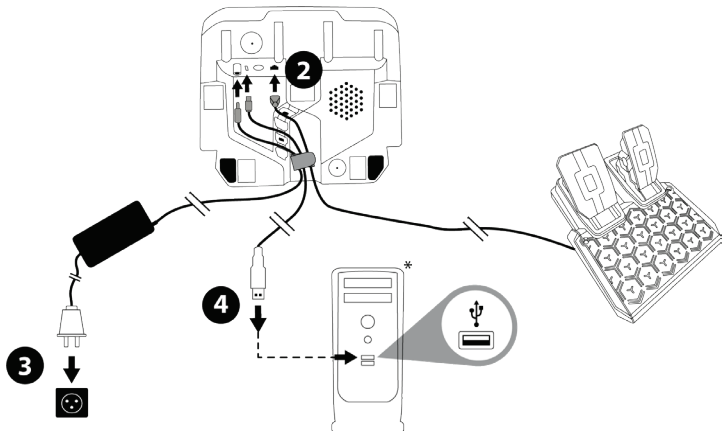
- O volante é reconhecido em jogos como um volante Thrustmaster T-GT ou Thrustmaster Advanced Racer.
- Os 4 LEDs de RPM de velocidade do motor (7) funcionam em jogos compatíveis com o Thrustmaster SDK. A lista de jogos compatíveis está disponível aqui: <https://support.thrustmaster.com> (na seção **Volantes / T128 / Configurações de jogos**). A lista é atualizada regularmente.
- A lista de jogos para consoles PlayStation®4 e consoles PlayStation®5 compatíveis com o volante T128 está disponível aqui: <https://support.thrustmaster.com> (na seção **Volantes / T128 / Configurações de jogos**). A lista é atualizada regularmente.

## INSTALAÇÃO NO PC\*

\*A compatibilidade com PC (Windows® 10/11) não foi testada ou aprovada pela Sony Interactive Entertainment.

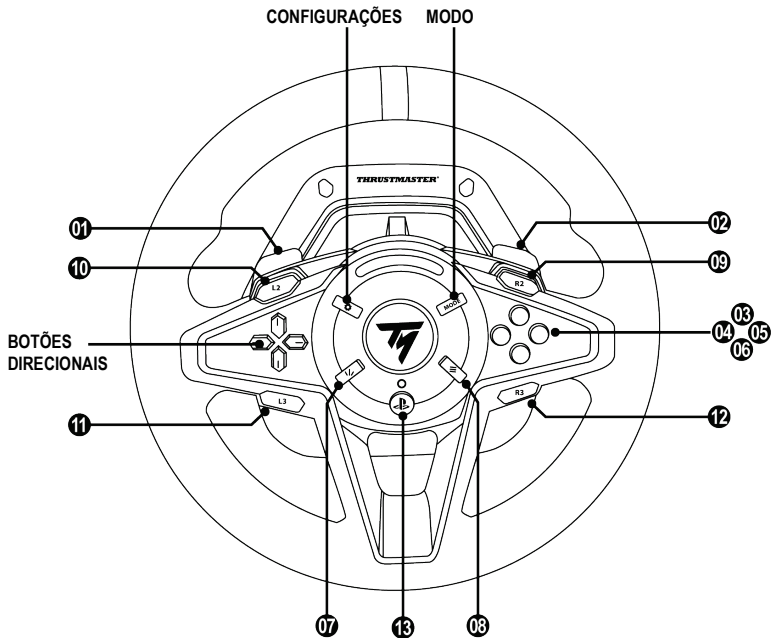
1. Visite <https://support.thrustmaster.com> para baixar os drivers e software Force Feedback para PC. Clique em **Volantes / T128 / Drivers**.
2. Conecte o conjunto de pedais T2PM ao conector RJ12 (23) da base.
3. Conecte o cabo de alimentação e o adaptador de alimentação a uma tomada elétrica.
4. Conecte o cabo USB-C (17a) à porta USB-C (21) da base.
5. Conecte o cabo USB-A (17b) a uma porta USB-A no PC.

O volante será calibrado automaticamente.



6. Selecione **Iniciar / Thrustmaster / FFB Racing Wheel / Painel de Controle** para abrir a janela **Controladores de Jogo**. A janela **Controladores de Jogo** exibe o nome do volante **Thrustmaster Advanced Mode Racer** e o status **OK**.
7. Clique em **Propriedades** para configurar o volante no painel de controle do T128:
  - Aba **Test Device**: permite testar e visualizar os botões de ação, botões direcionais e eixos do volante (assim como os eixos do conjunto de pedais) e ajustar o ângulo de rotação do volante em jogos para PC.
  - Aba **Test Forces**: permite testar os 12 efeitos de Force Feedback.
  - Aba **Adjust Forces**: permite ajustar a força dos efeitos de Force Feedback nos jogos para PC.

## MAPEAMENTO PARA PC



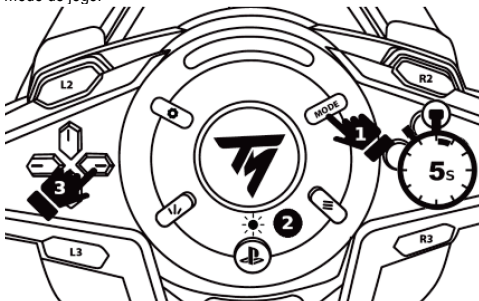
### Notas para PC:

- No painel de controle e nos jogos, o volante é reconhecido com o nome **Thrustmaster Advanced Mode Racer**.
- Sempre clique em **OK** para fechar a janela **Controladores de Jogo** antes de iniciar o jogo.
- As configurações e ajustes feitos na janela **Controladores de Jogo** são salvos apenas no PC (e, portanto, não terão nenhum efeito em consoles PS4™ ou consoles PS5™).
- A versão do firmware do volante é exibida no canto superior direito das abas do painel de controle do T128.
- Os 4 LEDs de RPM de velocidade do motor (7) funcionam em jogos para PC compatíveis com o Thrustmaster SDK. A lista de jogos compatíveis está disponível aqui: <https://support.thrustmaster.com> (na seção **Volantes / T128 / Configurações de jogos**). A lista é atualizada regularmente.

## SELEÇÃO DO MODO DE JOGO

### Procedimento:

1. Mantenha o botão MODE (8) pressionado por 5 segundos, até que o LED (10) localizado acima do botão PS comece a piscar.
2. Sem soltar o botão MODE (8), pressione simultaneamente o botão direcional direito (4) para selecionar o modo de jogo.



COR DO LED 	MODO DE JOGO
AZUL	COMPATIBILIDADE PADRÃO COM PLAYSTATION® (Modo padrão)
VERMELHO	COMPATIBILIDADE FUTURA COM PLAYSTATION®
VERDE	PC

Quando o modo de jogo for selecionado, solte os botões: a seleção será salva na memória interna do volante. O volante será reiniciado e calibrado automaticamente.

### Notas:

- Em consoles PlayStation®4 e consoles PlayStation®5, para que o volante T128 funcione após a calibragem automática, pressione o botão PS (11) e faça o login na sua conta da PlayStation™Network.
- A lista de jogos compatíveis com o console PlayStation®4, com o console PlayStation®5 e com o T128 (e o MODO de jogo correspondente) está disponível aqui: <https://support.thrustmaster.com> (na seção **Volantes / T128 / Configurações de jogos**). A lista é atualizada regularmente.

## MODO PARA O CONJUNTO DE PEDAIS (Exibido sempre que o volante é reiniciado)





Sempre que o volante é reiniciado (e após sua calibragem), os 4 LEDs de RPM (7) indicam o modo (posição e tipo) em que o conjunto de pedais está configurado.

### Posição:

- **NORMAL:** posição padrão;
- ou **INVERTIDA:** nesta posição, os pedais do acelerador e da embreagem são invertidos — esta posição só é possível com um conjunto de pedais.

### Tipo:

- **T2PM-T3PA-T3PM** sem a tecnologia Load Cell: **tipo padrão**;
- ou **T-LCM** com a tecnologia Load Cell.

MODO PARA O CONJUNTO DE PEDAIS	LEDs DE RPM PISCANDO (7)
<b>MODO PADRÃO</b> - Posição NORMAL - Tipo T2PM-T3PA-T3PM	<b>MODO PADRÃO</b> 
- Posição NORMAL - Tipo T-LCM	
- Posição INVERTIDA - Tipo T2PM-T3PA-T3PM	
- Posição INVERTIDA - Tipo T-LCM	

## RECONFIGURAÇÃO DO CONJUNTO DE PEDAIS NO MODO NORMAL (A ser realizada se o conjunto de pedais não funcionar corretamente)

### Procedimento:

- Pressione **RAPIDAMENTE** o botão **SETTINGS (6)** 8 vezes.



Os 4 LEDs de RPM (7) piscam 5 vezes simultaneamente para indicar que a reconfiguração está no modo padrão.





## INVERSÃO DA POSIÇÃO DOS PEDAIS (Se você estiver usando um conjunto de 3 pedais)

O volante T128 acompanha o conjunto de 2 pedais T2PM. Este volante também é compatível com os conjuntos de 3 pedais Thrustmaster T3PA, T3PM e T-LCM (vendidos separadamente).

Se você estiver usando um conjunto de 3 pedais, é possível inverter eletronicamente os pedais do acelerador e da embreagem

### Procedimento:

- Mantenha o botão **SETTINGS (6)** pressionado por **5 segundos**.



A inversão dos pedais é salva instantaneamente na memória interna do volante, e um dos 4 LEDs de RPM (7) pisca 3 vezes para indicar a posição selecionada.

PEDAIS DO ACELERADOR E DA EMBREAGEM	LEDs DE RPM PISCANDO (7)
<b>MODO PADRÃO</b> - Posição NORMAL	Diagrama dos LEDs de RPM piscando 3 vezes em modo padrão. Um ícone circular com "3x" está no canto superior esquerdo. O primeiro LED da esquerda para a direita está iluminado em verde.
- Posição INVERTIDA	Diagrama dos LEDs de RPM piscando 3 vezes em modo invertido. Um ícone circular com "3x" está no canto superior esquerdo. O segundo LED da esquerda para a direita está iluminado em laranja.

## ALTERNAR MANUALMENTE O CONJUNTO DE PEDAIS DO TIPO T2PM-T3PA-T3PM PARA O TIPO T-LCM (e vice-versa)

Por padrão, o modo do conjunto de pedais é o tipo **T2PM-T3PA-T3PM**.

Este modo é salvo na memória interna da base do volante e permanece sempre ativado, exceto caso você conecte um conjunto de pedais T-LCM ajustado à porta RJ12 ou alterne o modo manualmente.

### Procedimento:

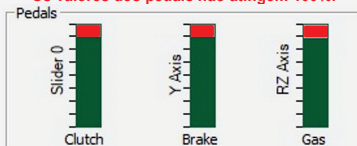
- Mantenha pressionados simultaneamente o botão **SETTINGS** (6) e a **borboleta de câmbio esquerda** (-) por **5 segundos**.



MODO	LEDs DE RPM PISCANDO (7)
<b>MODO PADRÃO</b> - Tipo T2PM-T3PA-T3PM	
- Tipo T-LCM	



Com o tipo T-LCM, os conjuntos de pedais T2PM, T3PA e T3PM não funcionam corretamente.  
Os valores dos pedais não atingem 100%.



Para que voltem a funcionar corretamente (e alcancem 100%), você deve alternar manualmente o modo da base do volante para o tipo T2PM-T3PA-T3PM.

## ALTERAR MANUALMENTE O ÂNGULO DE ROTAÇÃO DO VOLANTE (possível apenas em jogos onde o ângulo de rotação não é ajustado automaticamente)

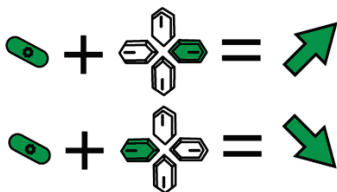
O volante T128 tem um ângulo de rotação ajustável entre 270° e 900°.

Em muitos jogos, o ângulo de rotação do volante é automático e se ajusta sozinho de acordo com o carro usado. Nesses jogos, não é possível alterar manualmente este ângulo de rotação, pois essa função é gerenciada pelo jogo e não pelo usuário.

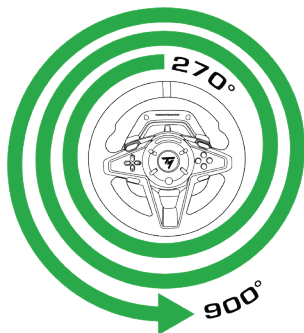
Em outros jogos, é possível alterar manualmente o ângulo de rotação diretamente no volante.

### Procedimento:

- Pressione simultaneamente o botão **SETTINGS (6)** e o **botão direcional direito (4)** para  **aumentar** o ângulo de rotação em um passo; ou
- Pressione simultaneamente o botão **SETTINGS (6)** e o **botão direcional esquerdo (4)** para **diminuir** o ângulo de rotação em um passo.



4 níveis possíveis	
Ângulo de rotação selecionado	LEDs de RPM (7)
270°	
360°	
540°	
900°	



**Observação:** O ângulo de rotação modificado manualmente através do volante não é salvo permanentemente. Este procedimento deve ser realizado sempre que o jogo ou o volante reiniciar.

## **OUTRAS FUNCIONALIDADES RELACIONADAS AO BOTÃO SETTINGS (6)**

Visite <https://support.thrustmaster.com>.

Clique em **Volantes / T128** e selecione **Manual do Usuário** ou **FAQ**.

## **ATUALIZAÇÃO DO FIRMWARE DO VOLANTE**

Visite <https://support.thrustmaster.com>.

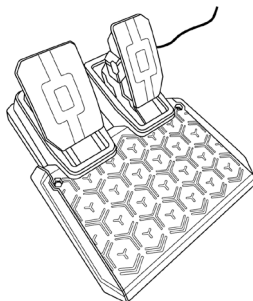
Clique em **Volantes / T128 / Firmware** e siga as instruções.

## **DIVERSAS DICAS E PERGUNTAS**

Visite <https://support.thrustmaster.com>.

Clique em **Volantes / T128** e selecione **Manual** ou **FAQ**.

# CONJUNTO DE PEDAIS T2PM



## AVISO

Antes de usar este produto, leia atentamente este manual e guarde-o para referência futura.



Por razões de segurança, nunca use o conjunto de pedais com os pés descalços ou enquanto estiver usando apenas meias nos pés.  
**A THRUSTMASTER® RENUNCIA A TODA A RESPONSABILIDADE EM CASO DE LESÃO DECORRENTE DO USO DO CONJUNTO DE PEDAIS SEM SAPATOS.**



### Aviso – Perigo de esmagamento do pedal ao jogar

- \* Mantenha o conjunto de pedais fora do alcance de crianças.
- \* Durante o jogo, nunca coloque os dedos sobre ou perto das laterais dos pedais.
- \* Durante o jogo, nunca coloque os dedos sobre ou perto da base traseira dos pedais.
- \* Durante o jogo, nunca coloque os dedos sobre ou perto da base frontal dos pedais.

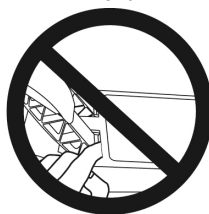
NUNCA



NUNCA



NUNCA

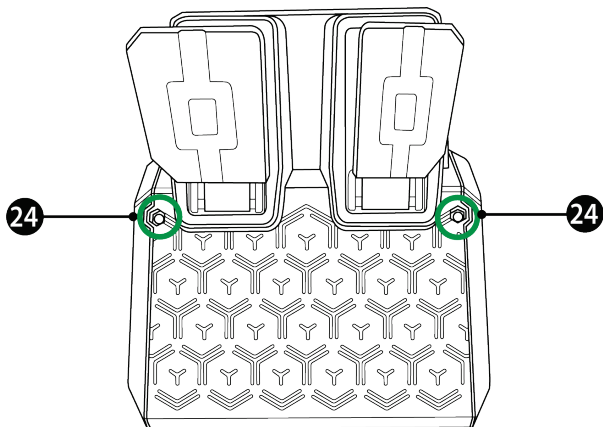


### Aviso – Perigo de esmagamento do pedal ao não jogar

- \* Guarde o conjunto de pedais em um local seguro e mantenha-o fora do alcance de crianças.

## FIXAÇÃO DO CONJUNTO DE PEDAIS A UM SUPORTE OU COCKPIT

O conjunto de pedais pode ser fixado a uma variedade de suportes diferentes (vendidos separadamente) usando as duas perfurações (24) localizadas em cada lado do conjunto de pedais.



**Se o volante e/ou o conjunto de pedais não funciona corretamente, ou parece estar calibrado incorretamente:**

Desligue o console ou PC e desconecte o volante completamente. Depois reconecte todos os cabos (incluindo o cabo de alimentação e o conjunto de pedais) e reinicie o console (ou PC) e o jogo.

## **INFORMAÇÕES SOBRE A GARANTIA PARA O CONSUMIDOR**

A Guillemot Corporation S.A., com sede social situada em Place du Granier, B.P. 97143, 35571 Chantepie, França (a seguir designada como "Guillemot") garante a nível mundial ao consumidor que este produto Thrustmaster está livre de defeitos em termos de materiais e fabricação durante um período de garantia que corresponde ao limite de tempo para intentar uma ação de conformidade relativamente a este produto. Nos países da União Europeia, isto corresponde a um período de dois (2) anos desde a entrega do produto Thrustmaster. Em outros países, o período de garantia corresponde ao limite de tempo para intentar uma ação de conformidade relativamente ao produto Thrustmaster de acordo com a legislação em vigor do país no qual o consumidor residia na data de compra do produto Thrustmaster (se tal ação não existir no país correspondente, então o período de garantia será de um (1) ano a partir da data de compra original do produto Thrustmaster).

Não obstante o supracitado, as baterias recarregáveis são cobertas por um período de garantia de seis (6) meses a partir da data de compra original.

No caso de o produto apresentar algum defeito durante o período da garantia, contate imediatamente o Suporte Técnico, que lhe indicará o procedimento a tomar. Se o defeito se confirmar, o produto deverá ser devolvido ao respetivo local de compra (ou qualquer outro local indicado pelo Suporte Técnico).

No âmbito da presente garantia, e por opção do Suporte Técnico, o produto defeituoso do consumidor será substituído ou reparado. Se, durante o período da garantia, o produto Thrustmaster for submetido à dita reparação, qualquer período mínimo de (7) dias durante o qual o produto estiver fora de serviço será adicionado ao período da garantia restante (este período decorre desde a data do pedido intervenção pelo consumidor ou desde a data em que o produto em questão é disponibilizado para reparação, se a data em que o produto é disponibilizado para reparação for posterior à data do pedido de intervenção). Se for permitido pela legislação em vigor, a responsabilidade total da Guillemot e das respectivas subsidiárias (incluindo para danos indiretos) está limitada à reparação ou à substituição do produto Thrustmaster. Se for permitido pela legislação em vigor, a Guillemot rejeita todas as garantias de comercialização ou adequação a um fim específico.

A presente garantia não se aplicará: (1) se o produto tiver sido modificado, aberto, alterado ou danificado como resultado de utilização inadequada ou abusiva, negligência, acidente, desgaste normal ou qualquer outra causa relacionada a um defeito de material ou fabricação (incluindo, mas sem limitação, combinar o produto Thrustmaster com qualquer elemento inadequado, incluindo, em particular, fontes de alimentação, baterias recarregáveis, carregadores ou quaisquer outros elementos não fornecidos pela Guillemot para este produto); (2) se o produto tiver sido usado para qualquer outro propósito além do uso doméstico, inclusive para fins profissionais ou comerciais (salas de jogos, treinamento ou competições, por exemplo); (3) na eventualidade de não cumprimento das instruções fornecidas pelo Suporte Técnico; (4) a software, estando o mesmo sujeito a uma garantia específica; (5) a consumíveis (elementos para substituir ao longo da vida útil do produto, como baterias descartáveis e almofadas de fones de ouvido, por exemplo); (6) a acessórios (cabos, estojos, bolsas, sacos e correias de pulso, por exemplo); (7) se o produto foi vendido num leilão público.

A presente garantia não é transmissível.

Os direitos legais do consumidor no que concerne à legislação aplicável à venda de bens de consumo no seu país não são afetados pela presente garantia.

### **Disposições de garantia adicionais**

Durante o período da garantia, a Guillemot não fornecerá, em princípio, quaisquer peças de substituição, uma vez que o Suporte Técnico é a única parte autorizada a abrir e/ou reparar qualquer produto Thrustmaster (exceto por quaisquer procedimentos de reparação que o Suporte Técnico possa pedir ao consumidor para realizar, através de instruções por escrito – por exemplo, devido à simplicidade e à falta de confidencialidade do processo de reparação – e fornecendo ao consumidor a(s) peça(s) de substituição necessária(s), quando aplicável).

Tendo em conta os seus ciclos de inovação, e a fim de proteger o seu know-how e segredos comerciais, a Guillemot não fornecerá, em princípio, qualquer notificação de reparação ou peças de substituição para produtos Thrustmaster cujo período da garantia tenha expirado.

Nos Estados Unidos da América e no Canadá, a presente garantia está limitada ao mecanismo interno e à caixa do produto. Em nenhuma circunstância serão a Guillemot ou as respectivas subsidiárias consideradas responsáveis perante terceiros por quaisquer danos indiretos ou acidentais resultantes da violação de quaisquer garantias expressas ou implícitas. Alguns estados/províncias não permitem a limitação da duração de uma garantia implícita ou a exclusão ou limitação de responsabilidade por danos indiretos ou acidentais, portanto as limitações ou exclusões supracitadas podem não se aplicar a você. A presente garantia concede-lhe direitos legais específicos, e você também pode ter outros direitos, que variam de acordo com o estado ou a província.

### **Responsabilidade**

Se for permitido pela legislação em vigor, a Guillemot Corporation S.A. (a seguir designada como "Guillemot") e as respectivas subsidiárias rejeitam qualquer responsabilidade por quaisquer danos resultantes de uma ou mais das seguintes causas: (1) o produto foi modificado, aberto ou alterado; (2) não cumprimento das instruções de montagem; (3) utilização imprópria ou abusiva, negligência ou acidente (um impacto, por exemplo); (4) desgaste normal; (5) utilização do produto para qualquer outro propósito além do uso doméstico, inclusive para fins profissionais ou comerciais (salas de jogos, treinamento ou competições, por exemplo). Se for permitido ao abrigo da legislação aplicável, a Guillemot e as respectivas subsidiárias rejeitam qualquer responsabilidade por danos relacionados a um defeito de material ou fabricação relativamente ao produto (incluindo, mas sem limitação, quaisquer danos causados direta ou indiretamente por qualquer software ou por combinar o produto Thrustmaster com qualquer elemento inadequado, incluindo, em particular, fontes de alimentação, baterias recarregáveis, carregadores ou quaisquer outros elementos não fornecidos pela Guillemot para este produto).

**THRUSTMASTER®**

**SUPOORTE TÉCNICO**

<https://support.thrustmaster.com>





## **DECLARAÇÃO DE CONFORMIDADE**

Aviso de Cumprimento dos EUA: Este equipamento foi testado e considerado em conformidade com os limites para um dispositivo digital Classe B, conforme a Parte 15 das regras da FCC.

## **DIREITOS AUTORAIS**

©2022 Guillemot Corporation S.A. Todos os direitos reservados. Thrustmaster® é uma marca registrada da Guillemot Corporation S.A. Fabricado e distribuído pela Guillemot Corporation S.A. Todas as outras marcas são por este meio reconhecidas e pertencem aos seus respectivos proprietários. O conteúdo, o design e as especificações estão sujeitos a alterações sem aviso prévio e podem variar de um país para outro. Fotografias e ilustrações não são vinculativas. Projetado na América do Norte e Europa, fabricado na China.

Para uso exclusivo com consoles PlayStation®5 e consoles PlayStation®4.

“PS”, “PlayStation”, “PS5”, “PS4” e “PlayStation Shapes Logo” são marcas registradas ou marcas comerciais da Sony Interactive Entertainment Inc. Todos os direitos reservados. Todas as outras marcas comerciais são de propriedade de seus respectivos proprietários. Fabricado e distribuído sob licença da Sony Interactive Entertainment LLC.

## **RECOMENDAÇÕES DE PROTEÇÃO AMBIENTAL**

Respeite a legislação local sobre a reciclagem de equipamento elétrico e eletrônico.

Guarde estas informações. As cores e as decorações podem variar.

Os prendedores de plástico e os adesivos devem ser removidos do produto antes da utilização.

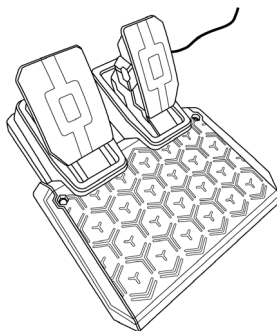
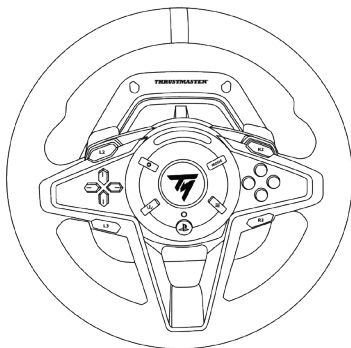
[www.thrustmaster.com](http://www.thrustmaster.com)



# T128

Для консолей PlayStation®5, PlayStation®4 и ПК\*

Руководство пользователя

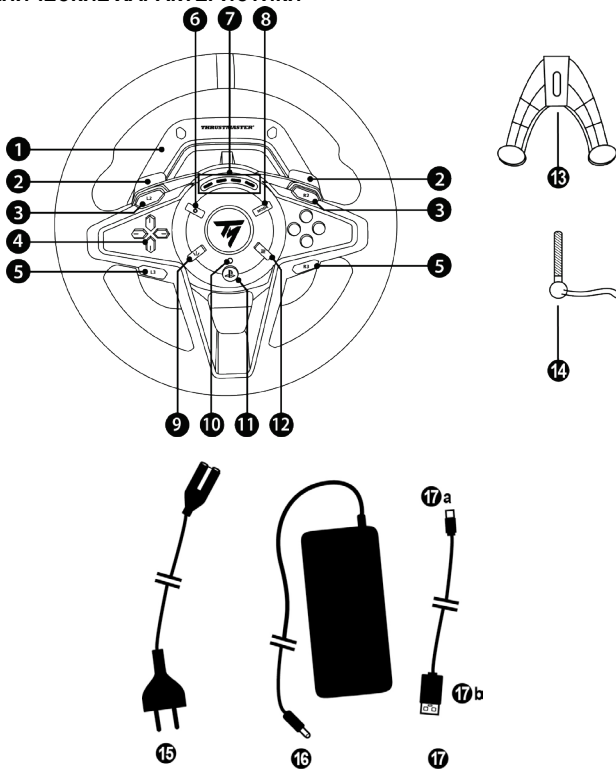


## **ПРЕДУПРЕЖДЕНИЕ:**

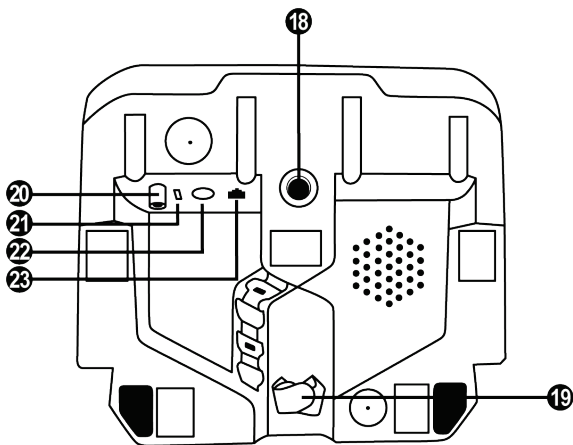
Для обеспечения правильной работы гоночного руля T128 с консолями PlayStation®5, PlayStation®4 и ПК может потребоваться установка автоматических обновлений и игры (доступно при подключении консоли или ПК к Интернету).

\*Совместимость с ПК (Windows® 10/11) не тестировалась и не одобрена Sony Interactive Entertainment.

## ТЕХНИЧЕСКИЕ ХАРАКТЕРИСТИКИ



- |   |   |    |  |
|---|---|----|--|
| 1 | База T128   | 10 | Светодиод режима игры (синий, красный или зеленый) |
| 2 | 2 магнитных подрулевых переключателя (- и +)                    | 11 | Кнопка PS  |
| 3 | Кнопки L2 и R2  | 12 | Кнопка OPTIONS на консолях PS4™ и PS5™             |
| 4 | Кнопки направления  | 13 | Система крепления                                  |
| 5 | Кнопки L3 и R3  | 14 | Металлический крепежный винт                       |
| 6 | Кнопка SETTINGS   | 15 | Кабель питания (ЕС / США или Великобритания...)    |
| 7 | 4 светодиода RPM (индикация скорости двигателя)                 | 16 | Адаптер питания                                    |
| 8 | Кнопка MODE   | 17 | Кабель USB-C: USB-C (17a) – USB-A (17b)            |
| 9 | Кнопка SHARE на консолях PS4™<br>Кнопка CREATE на консолях PS5™ |    |  |



- |   |  |
|---|--|
| <p><b>18</b> Большое резьбовое отверстие (для системы крепления и крепежного винта)</p> <p><b>19</b> Держатель кабеля с крепежной лентой</p> <p><b>20</b> Разъем для блока питания</p> <p><b>21</b> Разъем USB-C для гоночного руля</p> | <p><b>22</b> Разъем мини-DIN для подключения переключателя, ручного тормоза или хаба Thrustmaster (продаются отдельно)</p> <p><b>23</b> Разъем RJ12 для педального блока</p> |
|---|--|

## ПРЕДУПРЕЖДЕНИЕ

Перед использованием данного устройства внимательно ознакомьтесь с настоящим руководством и сохраните его для последующего использования.



### **Предупреждение — опасность поражения электрическим током**

- \* Храните устройство в сухом месте и берегите его от воздействия пыли или солнечного света.
- \* Избегайте перекручивания разъемов и кабелей и не тяните за них.
- \* Не допускайте попадания жидкости на устройство или его разъемы.
- \* Берегите устройство от короткого замыкания.
- \* Ни в коем случае не разбирайте устройство; берегите его от огня и от воздействия высоких температур.
- \* Используйте только кабель питания, поставляемый вместе с гоночным рулем.
- \* Не используйте кабель питания, если он или его разъемы повреждены, рассечены или сломаны.
- \* Проверьте правильность подключения кабеля питания к разъему на задней панели базы гоночного руля и к электрической розетке.
- \* Не открывайте корпус гоночного руля: внутри нет деталей, предназначенных для обслуживания пользователем. Все ремонтные работы должны выполняться производителем, его официальным представителем или квалифицированным специалистом.
- \* Используйте только те системы крепления или аксессуары, которые указаны производителем.
- \* В случае неправильной работы гоночного руля (если он издает нехарактерные звуки, чрезмерно греется или от него исходит специфический запах), немедленно прекратите его использование, извлеките кабель питания из электрической розетки и отсоедините остальные кабели.
- \* Если гоночный руль не будет использоваться в течение длительного времени, извлеките его кабель питания из электрической розетки.
- \* Электрическая розетка должна быть расположена рядом с оборудованием в легкодоступном месте.



Используйте только тот источник питания, который указан в инструкции по эксплуатации.

### **Информация о блоке питания**

Опубликованная информация	Значение	Единица
Название или товарный знак производителя, номер и адрес торговой регистрации	<b>GUILLEMOT CORPORATION S.A.</b> 414 196 758 Rennes Place du Granier BP 97143 35571 Chantepie Cedex France / Франция	
Идентификатор модели	<b>A481-1852590D</b>	
Входное напряжение	<b>100–240</b>	В
Входная частота переменного тока	<b>50–60</b>	Гц
Выходное напряжение	<b>18,5</b>	В переменного тока
Выходной ток	<b>2,6</b>	А
Выходная мощность	<b>47,9</b>	Вт
Средний КПД в рабочем режиме	<b>87,8</b>	%
КПД при малой нагрузке (10 %)	<b>87,8</b>	%
Потребляемая мощность без нагрузки	<b>0,10</b>	Вт



## **Вентиляционные отверстия**

Не блокируйте вентиляционные отверстия базы гоночного руля. Для обеспечения оптимальной вентиляции соблюдайте следующие условия:

- \* Устанавливайте базу руля на расстоянии как минимум 10 см от стен.
- \* Не устанавливайте базу в узком пространстве.
- \* Не накрывайте базу.
- \* Не допускайте скопления пыли на вентиляционных отверстиях.



**Из соображений безопасности никогда не пользуйтесь педальным блоком с босыми ногами**

**или в одних носках.**

**THRUSTMASTER® СНИМАЕТ С СЕБЯ ВСЯКУЮ ОТВЕТСТВЕННОСТЬ В СЛУЧАЕ ТРАВМЫ, ПОЛУЧЕННОЙ В РЕЗУЛЬТАТЕ ИСПОЛЬЗОВАНИЯ ПЕДАЛЬНОГО БЛОКА БЕЗ ОБУВИ.**



**Предупреждение — возможность травмирования в результате эффекта обратного сопротивления и повторяющихся движений**

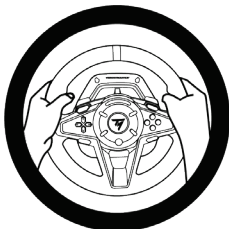
Игра с гоночным рулем с эффектом обратного сопротивления может вызвать боль в мышцах или суставах. Во избежание проблем:

- \* Избегайте длительных игровых периодов.
- \* После каждого часа игры делайте перерывы от 10 до 15 минут.
- \* Почувствовав усталость или боль в руках или ногах, прекратите играть и отдохните несколько часов, прежде чем начать играть снова.
- \* Если после возобновления игры указанные выше симптомы или боль присутствуют, прекратите играть и обратитесь к врачу.
- \* Не допускайте детей к устройству.
- \* Во время игры всегда держите обе руки на руле в правильном положении и не отпускайте его полностью.
- \* Во время игры ни в коем случае не помещайте руки или пальцы под педали или рядом с педальным блоком.
- \* Во время калибровки оборудования и в процессе игры ни в коем случае не вставляйте руки или пальцы в открытые места на гоночном руле.
- \* Надежно закрепите базу гоночного руля в соответствии с указаниями, приведенными в данной инструкции.



Это устройство предназначено исключительно для пользователей старше 14 лет

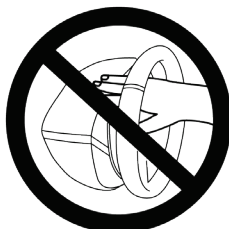
ВСЕГДА



НИКОГДА



НИКОГДА



**Предупреждение — опасность защемления во время использования педального блока**

\* Не допускайте детей к педальному блоку.

\* Во время игры ни в коем случае не помещайте пальцы на боковую часть педалей или где-либо рядом.

\* Во время игры ни в коем случае не помещайте пальцы на заднюю часть педалей или где-либо рядом.

\* Во время игры ни в коем случае не помещайте пальцы на переднюю часть педалей или где-либо рядом.

НИКОГДА



НИКОГДА



НИКОГДА



**Предупреждение — опасность защемления без использования педального блока**

\* Храните педальный блок в безопасном месте и не допускайте к нему детей.

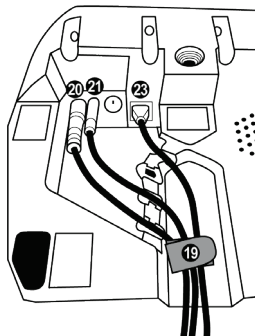
## КРЕПЛЕНИЕ ГОНОЧНОГО РУЛЯ

### Крепление гоночного руля на столе

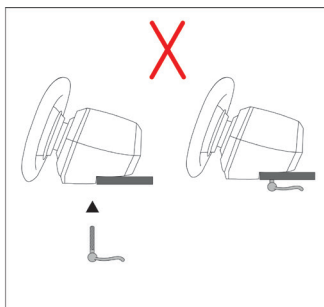
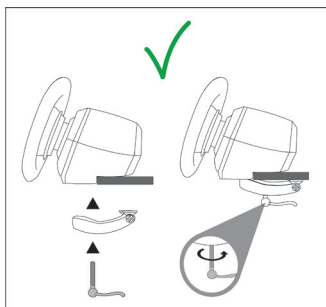
В первую очередь выполните необходимые подключения на задней панели руля:

- блок питания (20);
- кабель USB-C (17a) к разъему USB-C (21);
- pedalный блок T2PM (23).

Разместите кабели в отведенных для них местах и закрепите их с помощью держателя с крепежной лентой (19).

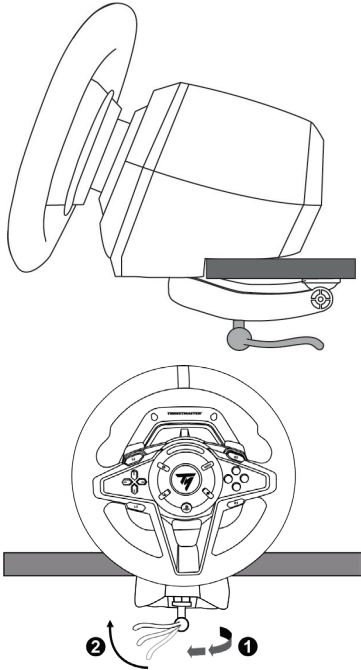
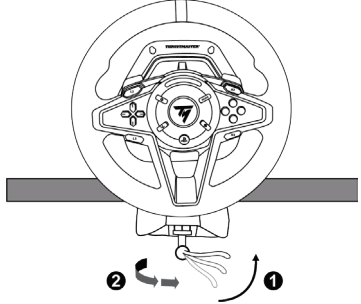


1. Положите гоночный руль на стол или любую другую ровную и устойчивую горизонтальную поверхность.
2. Вставьте крепежный винт (14) в систему крепления (13), затем закрепите устройство, поворачивая винт против часовой стрелки так, чтобы он перемещался в большом резьбовом отверстии (18), расположенном под гоночным рулем, пока руль не будет надежно закреплен.



**ПРЕДУПРЕЖДЕНИЕ:** Ни в коем случае не затягивайте винт без установленной на место системы крепления!  
Это может повредить гоночный руль.



УСТАНОВКА/СНЯТИЕ	НАПРАВЛЕНИЕ
<p><b><u>Закручивание:</u></b></p> <p><i>Поворачивать винт против часовой стрелки</i></p>	 <p>The diagram illustrates the process of adjusting the steering wheel's tilt. The top part shows a perspective view of the steering wheel tilted upwards. The bottom part shows a top-down view of the steering wheel with a central logo. A small adjustment knob is located at the bottom of the steering wheel. Arrows labeled 1 and 2 indicate the direction of rotation for the knob.</p>
<p><b><u>Откручивание:</u></b></p> <p><i>Поворачивать винт по часовой стрелке</i></p>	 <p>The diagram illustrates the process of adjusting the steering wheel's tilt downwards. The top part shows a perspective view of the steering wheel tilted downwards. The bottom part shows a top-down view of the steering wheel with a central logo. A small adjustment knob is located at the bottom of the steering wheel. Arrows labeled 1 and 2 indicate the direction of rotation for the knob.</p>

## УСТАНОВКА

### АВТОМАТИЧЕСКАЯ КАЛИБРОВКА ГОНОЧНОГО РУЛЯ И ПЕДАЛЬНОГО БЛОКА

Гоночный руль автоматически калибруется после его подключения к электрической розетке и после подключения USB-кабеля руля к консоли PlayStation®5, PlayStation®4 или к ПК.

Во время этого процесса руль будет быстро поворачиваться влево и вправо с углом вращения 900 градусов, после чего остановится по центру.



#### **ПРЕДУПРЕЖДЕНИЕ:**

**Ни в коем случае не прикасайтесь к гоночному рулю во время его калибровки!**  
*(Это может привести к ошибкам калибровки или травмам.)*

Ни в коем случае не подключайте pedalный блок к базе гоночного руля (а также не отключайте его от базы), если он подключен к приставке PlayStation®, к ПК, или во время игры (это может привести к ошибкам при калибровке).

Педаальный блок следует подключать только перед подключением гоночного руля к консоли PlayStation®5, PlayStation®4 или к ПК.

Как только калибровка гоночного руля завершится и игра начнется, после нескольких нажатий педалей они будут автоматически откалиброваны.



#### **ПРЕДУПРЕЖДЕНИЕ:**

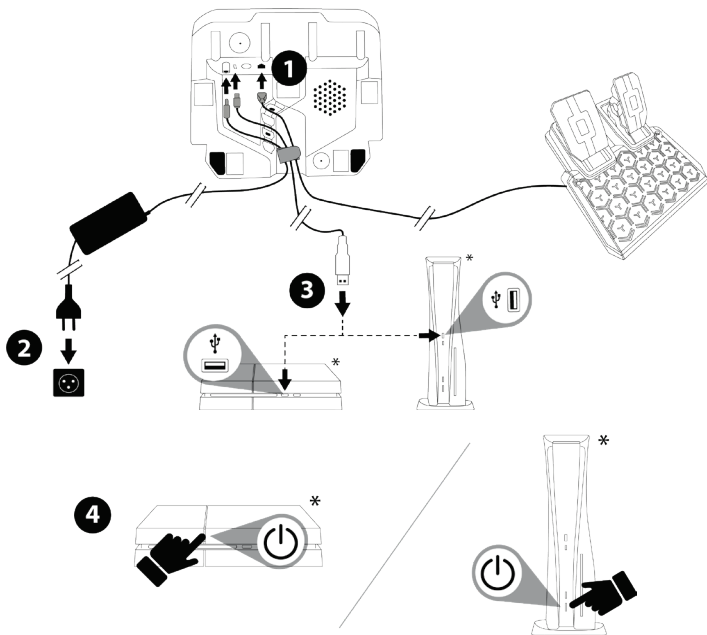
**Ни в коем случае не нажимайте педали в процессе калибровки гоночного руля или во время загрузки игры!**  
*(Это может привести к ошибкам калибровки.)*

Если гоночный руль или pedalный блок работают неправильно и/или, возможно, некорректно откалиброваны:

- Выключите консоль и полностью отсоедините гоночный руль. Затем снова подключите все кабели (включая кабель питания и pedalный блок) и перезапустите консоль (или ПК) и игру.
- Перенастройте педаль, установленную по умолчанию с помощью процедуры, описанной далее в данном руководстве пользователя (стр. 16).

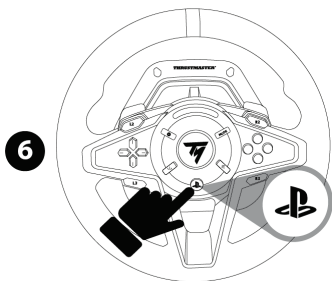
## УСТАНОВКА НА КОНСОЛИ PLAYSTATION®4 ИЛИ PLAYSTATION®5

1. Подключите педальный блок T2PM к входному разъему RJ12 (23) на базе.
2. Подключите кабель питания и блок питания к электрической розетке.
3. Подключите кабель USB-C (17a) к порту USB-C (21) на базе.  
Подключите кабель USB-A (17b) к порту USB-A на консоли PS4™ или PS5™.
4. Включите питание консоли PlayStation®4 или PlayStation®5. Будет выполнена автоматическая калибровка гоночного руля.



*\*Не входит в комплект*

- При необходимости выберите режим игры РЕЖИМ, в котором вы хотите играть, с помощью процедуры, описанной далее в данном руководстве пользователя (на стр. 15).
- Нажмите кнопку PS (11) на гоночном руле и войдите в свою учетную запись PlayStation™Network, чтобы гоночный руль заработал.



*Теперь вы готовы к игре!*

EN

FR

DE

NL

IT

ES

PT

RU

CS

TR

PL

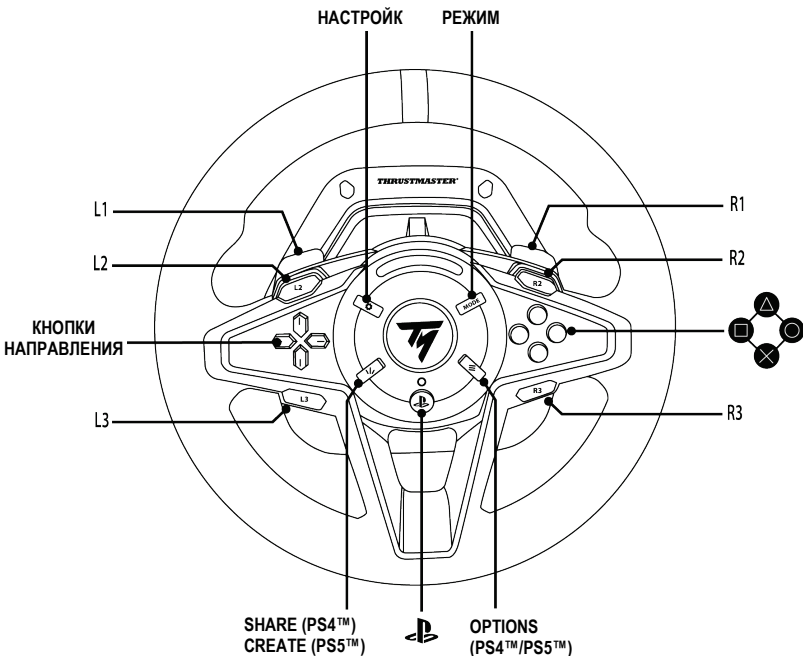
日本語

繁體中文

한국어

العربية

## НАЗНАЧЕНИЕ КНОПОК ДЛЯ КОНСОЛЕЙ PLAYSTATION®4 И PLAYSTATION®5



### Примечания к консолям PS4™ и PS5™:

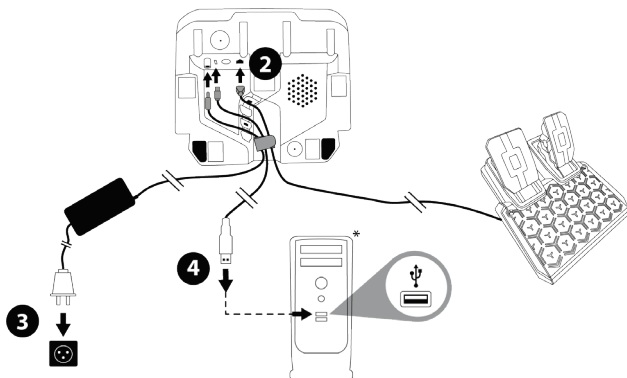
- Гонимый руль распознается в играх как гоночный руль Thrustmaster T-GT или гоночный руль Thrustmaster Advanced Racer.
- 4 светодиодных индикатора оборотов двигателя в минуту (7) работают в играх, совместимых с Thrustmaster SDK. Список совместимых игр доступен здесь: <https://support.thrustmaster.com> (в разделе **Racing Wheels** (Гоночные рули) / **T128** / **Games Settings** (Игровые настройки)). Этот список регулярно обновляется.
- Список игр для консолей PlayStation®4 и PlayStation®5, совместимых с гоночным колесом T128, доступен здесь <https://support.thrustmaster.com> (в разделе **Racing Wheels** (Гоночные рули) / **T128** / **Games settings** (Игровые настройки)). Этот список регулярно обновляется.

## УСТАНОВКА НА ПК\*

\*Совместимость с ПК (Windows® 10/11) не тестировалась и не одобрена Sony Interactive Entertainment.

1. Перейдите на веб-сайт <https://support.thrustmaster.com>, чтобы загрузить драйверы и ПО для эффекта обратного сопротивления для ПК. Нажмите **Racing Wheels** (Гоночные рули) / **T128 / Drivers** (Водители).
2. Подключите pedalный блок T2PM к входному разъему RJ12 (23) на базе.
3. Подключите кабель питания и блок питания к электрической розетке.
4. Подключите кабель USB-C (17a) к порту USB-C (21) на базе.
5. Подключите кабель USB-A (17b) к порту USB-A на ПК.

Гоночный руль автоматически калибруется

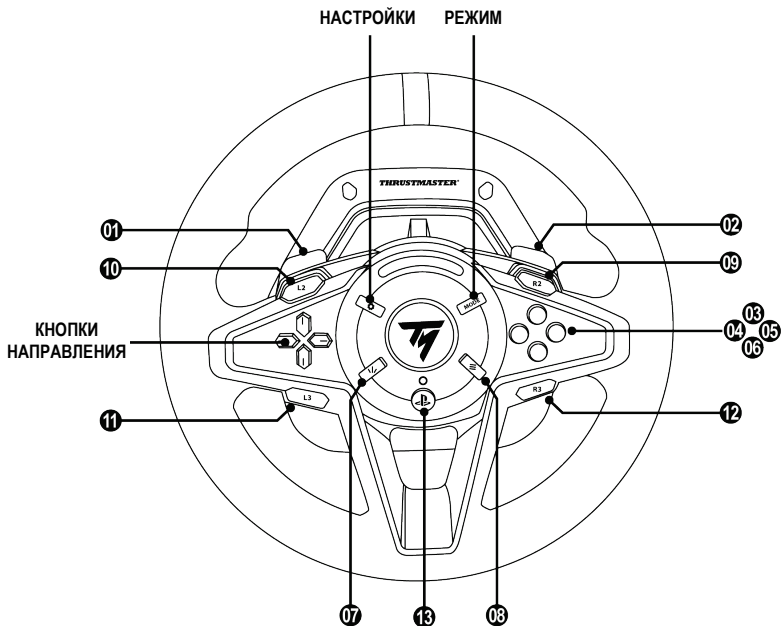


6. Выберите **Start** (Пуск) / **Thrustmaster** / **FFB Racing Wheel** (FFB Гоночный руль) / **Control Panel** (Панель управления), чтобы открыть окно **Game Controllers** (Игровые устройства). В окне **Game Controllers** (Игровые устройства) отображается название гоночного колеса **Thrustmaster Advanced Mode Racer** а также статус **OK**.

7. Чтобы настроить гоночное колесо на панели управления T128, нажмите **Properties** (Свойства):

- **Вкладка Test Device** (Тестировать устройство): позволяет тестировать и просматривать командные кнопки, кнопки направления и оси для гоночного колеса (а также оси для pedalного блока), а также регулировать угол поворота гоночного колеса в играх на ПК.
- **Вкладка Test Forces** (Тестировать обратное сопротивление): позволяет протестировать 12 эффектов обратного сопротивления.
- **Вкладка Adjust Forces** (Настройка обратного сопротивления): позволяет регулировать силу эффектов обратного сопротивления в играх на ПК.

## НАЗНАЧЕНИЕ КНОПОК ДЛЯ ПК



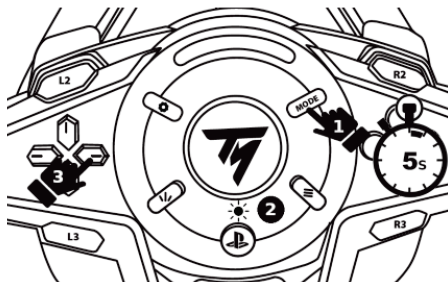
### Примечания к ПК:

- На панели управления и в играх гоночный руль распознается как **Thrustmaster Advanced Mode Racer**.
- Помните, что перед началом игры необходимо полностью закрыть окно **Game Controllers** (Игровые устройства), нажав кнопку **OK**.
- Настройки и параметры, заданные в окне **Game Controllers** (Игровые устройства), сохраняются только на вашем ПК (и поэтому не будут иметь никакого эффекта на консолях PS4™ и PS5™).
- Версия прошивки вашего гоночного колеса отображается в правой верхней части вкладок панели управления T128.
- 4 светодиодных индикатора оборотов двигателя (**7**) работают в играх для ПК, совместимых с Thrustmaster SDK. Список совместимых игр доступен здесь: <https://support.thrustmaster.com> (в разделе **Racing Wheels** (Гоночные рули) / **T128** / **Games Settings** (Игровые настройки)). Этот список регулярно обновляется.

## ВЫБОР РЕЖИМА ИГРЫ

### Процедура :

1. Нажмите и удерживайте кнопку MODE (8) в течение 5 секунд, пока индикатор (10), расположенный над кнопкой PS, не начнет мигать.
2. Не отпуская кнопку MODE (8), одновременно нажмите правую кнопку направления (4), чтобы выбрать режим игры.



ЦВЕТ ИНДИКАТОРА 	РЕЖИМ ИГРЫ
СИНИЙ	PLAYSTATION® СТАНДАРТНАЯ СОВМЕСТИМОСТЬ (режим по умолчанию)
КРАСНЫЙ	PLAYSTATION® БУДУЩАЯ СОВМЕСТИМОСТЬ
ЗЕЛЕНый	ПК

После выбора режима игры отпустите кнопки. Выбор будет сохранен во внутренней памяти гоночного руля. Гоночный руль будет перезагружен и откалиброван автоматически.

### Примечания:

- На консолях PlayStation®4 и PlayStation®5: чтобы гоночный руль T128 работал после автоматической калибровки, нажмите кнопку PS (11) и войдите в учетную запись PlayStation™Network.
- Список игр, совместимых с консолями PlayStation®4 и PlayStation®5, а также T128 (и соответствующим режимом игры) опубликован здесь: <https://support.thrustmaster.com> (в разделе **Racing Wheels** (Гоночные рули) / **T128** / **Games settings** (Игровые настройки)). Список постоянно обновляется.



## РЕЖИМ ДЛЯ ПЕДАЛЬНОГО БЛОКА (отображается при каждом перезапуске гоночного колеса)

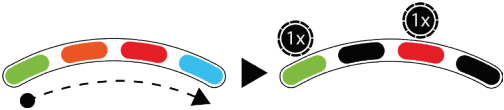

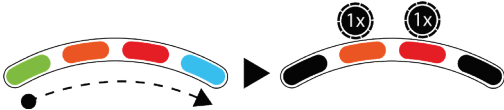

Каждый раз при перезапуске гоночного колеса (и после его самокалибровки) 4 светодиода оборотов в минуту (7) указывают режим (положение и тип), в котором настроен ваш педальный блок.

### Положение:

- **NORMAL:** положение по умолчанию;
- или **INVERTED:** в этом положении педали акселератора и сцепления перевернуты — это положение возможно только при использовании 3-педального блока.

### Тип:

- **T2PM-T3PA-T3PM** без технологии Load Cell (торможения с использованием датчиков силы): тип по умолчанию;
- или **T-LCM** с технологией Load Cell (торможения с использованием датчиков силы).

РЕЖИМ ДЛЯ ПЕДАЛЬНОГО БЛОКА	МИГАНИЕ СВЕТОДИОДОВ ОБОРОТОВ (7)
<b>РЕЖИМ ПО УМОЛЧАНИЮ</b> - Положение NORMAL - Тип T2PM-T3PA-T3PM	<b>РЕЖИМ ПО УМОЛЧАНИЮ</b> 
- Положение NORMAL - Тип T-LCM	
- Положение INVERTED - Тип T2PM-T3PA-T3PM	
- Положение INVERTED - Тип T-LCM	

## ПЕРЕНАСТРОЙКА ПЕДАЛИ, УСТАНОВЛЕННОЙ В РЕЖИМЕ ПО УМОЛЧАНИЮ

(Выполняется, если педальный блок не работает должным образом)

Алгоритм:

- **БЫСТРО** нажмите кнопку **SETTINGS (6)** 8 раз.



4 светодиода оборотов в минуту (7) одновременно мигают 5 раз, указывая на перенастройку в режиме по умолчанию.



## ИНВЕРТИРОВАНИЕ ПОЛОЖЕНИЯ ПЕДАЛЕЙ (Если вы используете 3-педальный блок)

Гоночный руль T128 по умолчанию поставляется в комплекте с 2-педальным блоком T2PM. Этот гоночный руль также совместим с 3-педальными блоками Thrustmaster T3PA, T3PM и T-LCM (продаются отдельно).

Если вы используете 3-педальный блок, можно инвертировать педали газа и сцепления электронным способом.

### Алгоритм:

- Нажмите и удерживайте кнопку **SETTINGS (6)** в течение **5 секунд**.



Инверсия педалей мгновенно сохраняется во внутренней памяти гоночного колеса, и один из 4 светодиодов оборотов (7) мигает 3 раза, указывая выбранное положение.

ПЕДАЛИ ГАЗА И СЦЕПЛЕНИЯ	МИГАНИЕ СВЕТОДИОДОВ ОБОРОТОВ (7)
<b>РЕЖИМ ПО УМОЛЧАНИЮ</b> - Положение NORMAL	
- Положение INVERTED	

# РУЧНОЕ ПЕРЕКЛЮЧЕНИЕ ПЕДАЛЬНОГО БЛОКА ИЗ ТИПА T2PM-T3PA-T3PM В ТИП T-LCM (и наоборот)

По умолчанию режим педального блока имеет тип T2PM-T3PA-T3PM.

Этот режим сохраняется во внутренней памяти базы гоночного колеса и остается включенным всегда, за исключением случаев, когда вы подключаете педальный блок T-LCM к порту RJ12 или переключаете режим вручную.

## Алгоритм:

- Одновременно нажмите и удерживайте кнопку **SETTINGS (6)** и левый подрулевой переключатель (-) в течение 5 секунд.

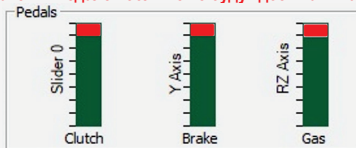


РЕЖИМ	МИГАНИЕ СВЕТОДИДОВ ОБОРОТОВ (7)
<b>РЕЖИМ ПО УМОЛЧАНИЮ</b> - Тип T2PM-T3PA-T3PM	
- Тип T-LCM	



**Педальные блоки типа T2PM, T3PA и T3PM не будут работать должным образом с типом T-LCM.**

**Значения педалей больше не будут достигать 100 %.**



**Чтобы снова функционировать нормально (и достигать 100 %), необходимо вручную переключить режим для базы гоночного колеса на тип T2PM-T3PA-T3PM.**

## РУЧНОЕ ИЗМЕНЕНИЕ УГЛА ПОВОРОТА С ПОМОЩЬЮ ГОНОЧНОГО КОЛЕСА

(возможно только в играх, в которых угол поворота не регулируется автоматически)

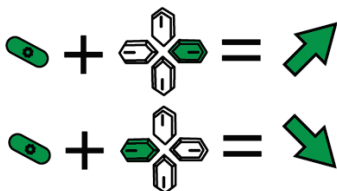
Гоночное колесо T128 имеет угол поворота, регулируемый в диапазоне от 270° до 900°.

Во многих играх угол поворота гоночного колеса автоматический и регулируется самостоятельно в зависимости от используемого автомобиля. В этих играх невозможно вручную изменить этот угол поворота, так как эта функция управляется игрой, а не пользователем.

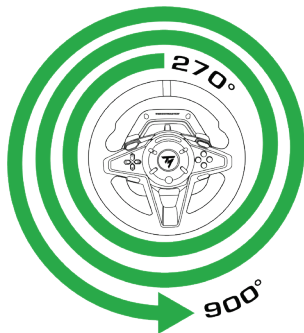
В других играх можно вручную изменять угол поворота непосредственно с помощью гоночного колеса.

### Алгоритм:

- Одновременно нажмите кнопку **SETTINGS** (6) и правую кнопку направления (4), чтобы **увеличить** угол поворота на один шаг; или
- Одновременно нажмите кнопку **SETTINGS** (6) и левую кнопку направления (4), чтобы **уменьшить** угол поворота на один шаг.



4 возможных уровня	
Выбранный угол поворота	Светодиоды оборотов (7)
270°	
360°	
540°	
900°	



**Обратите внимание:** угол поворота, измененный вручную с помощью гоночного колеса, не сохраняется на постоянной основе. Этот алгоритм необходимо выполнять каждый раз при перезапуске игры или гоночного колеса.

## ДРУГИЕ ФУНКЦИОНАЛЬНЫЕ ВОЗМОЖНОСТИ, СВЯЗАННЫЕ С КНОПКОЙ SETTINGS (6)

Перейдите на веб-сайт <https://support.thrustmaster.com>.

Нажмите **Racing Wheels** (Гоночные колеса) / **T128** и затем **Manual** (Руководство пользователя) или **FAQ** (Часто задаваемые вопросы).

## ОБНОВЛЕНИЕ ПРОШИВКИ ГОНОЧНОГО РУЛЯ

Перейдите на сайт <https://support.thrustmaster.com>.

Нажмите **Racing Wheels** (Гоночные колеса) / **T128** / **Firmware** (Прошивка) и следуйте инструкциям.

## СОВЕТЫ И ЧАСТО ЗАДАВАЕМЫЕ ВОПРОСЫ

Перейдите на сайт <https://support.thrustmaster.com>.

Нажмите **Racing Wheels** (Гоночные колеса) / **T128**, а затем **Manual** (Руководство пользователя) или **FAQ** (Часто задаваемые вопросы).

EN

FR

DE

NL

IT

ES

PT

RU

CS

TR

PL

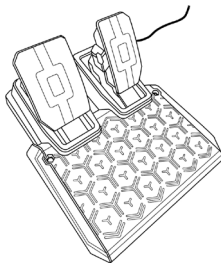
日本語

繁體中文

한국어

العربية

# ПЕДАЛЬНЫЙ БЛОК T2PM



## ПРЕДУПРЕЖДЕНИЕ

Перед использованием данного устройства внимательно ознакомьтесь с настоящим руководством и сохраните его для последующего использования.



Из соображений безопасности **никогда не пользуйтесь** pedalным блоком с босыми ногами или в одних носках.

**THRUSTMASTER® СНИМАЕТ С СЕБЯ ВСЯКУЮ ОТВЕТСТВЕННОСТЬ В СЛУЧАЕ ТРАВМЫ, ПОЛУЧЕННОЙ В РЕЗУЛЬТАТЕ ИСПОЛЬЗОВАНИЯ ПЕДАЛЬНОГО БЛОКА БЕЗ ОБУВИ.**



**Предупреждение — Опасность защемления во время использования pedalного блока**

- \* Не допускайте детей к pedalному блоку.
- \* Во время игры ни в коем случае не помещайте пальцы на боковую часть педалей или где-либо рядом.
- \* Во время игры ни в коем случае не помещайте пальцы на заднюю часть педалей или где-либо рядом.
- \* Во время игры ни в коем случае не помещайте пальцы на переднюю часть педалей или где-либо рядом.

**НИКОГДА**



**НИКОГДА**



**НИКОГДА**

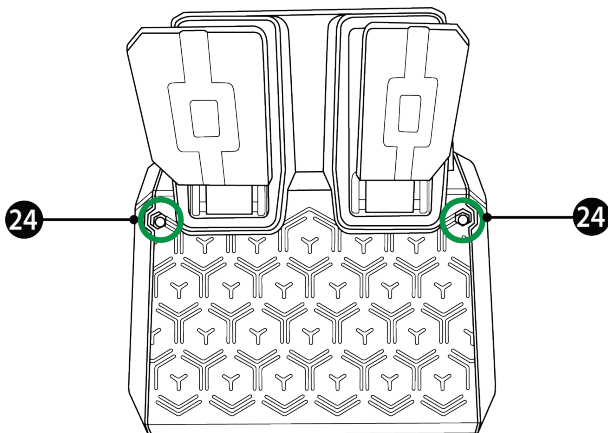


**Предупреждение — Опасность защемления без использования pedalного блока**

\*Храните pedalный блок в безопасном месте и не допускайте к нему детей.

## КРЕПЛЕНИЕ ПЕДАЛЬНОГО БЛОКА К ОПОРЕ ИЛИ КОКПИТУ

Педальный блок можно прикрепить к различным опорам (продаются отдельно) с помощью двух перфораций (24), расположенных по обеим сторонам педального блока.



Если гоночный руль или педальный блок работают неправильно и/или, возможно, некорректно откалиброваны:

Выключите консоль и полностью отсоедините гоночный руль. Затем снова подключите все кабели (включая кабель питания и педальный блок) и перезапустите консоль (или ПК) и игру.



## **Сведения о потребительской гарантии**

Корпорация Guillemot Corporation S.A., зарегистрированная по адресу Place du Granier, B.P. 97143, 35571 Chartrepe, Франция, (далее — «Guillemot») гарантирует своим клиентам во всем мире, что в данном изделии Thrustmaster не будет выявлено никаких дефектов материалов и производства в течение гарантийного периода, который равен сроку предъявления претензии по соответствию для данного изделия. В странах Европейского Союза этот срок соответствует двум (2) годам с момента поставки изделия Thrustmaster. В других странах гарантийный период равен сроку предъявления претензии по соответствию для изделия Thrustmaster, определяемому соответствующим законодательством страны, в которой проживал потребитель на момент приобретения изделия Thrustmaster (если подобные претензии не действуют в соответствующей стране, гарантийный период равняется одному (1) году с первоначальной даты приобретения изделия Thrustmaster).

В случае обнаружения дефектов изделия во время гарантийного периода незамедлительно обратитесь в службу технической поддержки, сотрудники которой определяют дальнейшую процедуру. Если дефект будет подтвержден, изделие следует вернуть по месту приобретения (или в любое другое место, указанное службой технической поддержки).

В рамках действия гарантии дефектное изделие будет, по усмотрению службы технической поддержки, заменено или возвращено в рабочее состояние. Если в течение гарантийного срока изделие Thrustmaster будет подвергнуто такому восстановлению, к оставшемуся гарантийному сроку прибавляется период времени, но не менее семи (7) дней, во время которого изделие находилось вне употребления (началом этого периода считается дата запроса покупателя о вмешательстве или дата предоставления дефектного изделия для восстановления, если изделие было предоставлено для восстановления позднее, чем был сделан запрос о вмешательстве). В мере, разрешенной применимым законодательством, полная ответственность компании Guillemot и ее дочерних компаний (в том числе косвенный ущерб) ограничивается восстановлением рабочего состояния или заменой изделия Thrustmaster. В мере, разрешенной применимым законодательством, компания Guillemot отказывается от любых гарантий коммерческой пригодности или пригодности для определенной цели.

Настоящая гарантия не распространяется: (1) на ситуации, когда изделие было видоизменено, открыто, модифицировано или получило повреждения в результате недопустимого или неправильного использования, небрежности или несчастного случая, естественного износа или любой другой причины, не связанной с дефектом материалов или производства (включая, помимо прочего, использование изделия Thrustmaster совместно с любыми неподходящими элементами, в частности — с блоками питания, аккумуляторами, зарядными устройствами и любыми другими элементами, не входящими в комплектацию Guillemot для данного изделия); (2) на случаи использования продукта в любых целях, кроме бытовых, в том числе на случаи профессионального или коммерческого применения (например, в игровых залах, для проведение обучения и соревнований); (3) на ситуации, когда указания службы технической поддержки не были выполнены; (4) на ПО, так как на такое ПО распространяется отдельная гарантия; (5) на расходные материалы (элементы, предназначенные для замены в течение срока службы изделия: например, батарейки и ушные подушки для гарнитур или наушников); (6) на аксессуары (например, кабели, чехлы, сумки, футляры, наручные ремешки); (7) на случаи продажи изделия с открытого аукциона.

Данная гарантия не подлежит передаче.

Настоящая гарантия не ущемляет прав потребителя, предоставляемых ему применимыми законами в отношении продажи потребительских товаров в соответствующей стране.

### Дополнительные условия гарантии

В течение гарантийного срока компания Guillemot, в общем и целом, не предоставляет никаких запасных частей, так как вскрытие и/или модификацию любых изделий Thrustmaster вправе осуществлять только служба технической поддержки (за исключением каких-либо процедур по модификации, которые служба технической поддержки может предложить выполнить клиенту путем письменных инструкций и предоставления, при необходимости, требуемых запасных частей: например, в связи с отсутствием статуса сложности или конфиденциальности у такой восстановительной процедуры).

С учетом периода освоения новых изделий и в целях защиты своих ноу-хау и коммерческих тайн компания Guillemot, в общем и целом, не предоставляет каких-либо уведомлений о восстановлении или запасных частей для любых изделий Thrustmaster с истекшим гарантийным сроком.

### Ответственность

В мере, разрешенной применимым законодательством, компания Guillemot Corporation S.A. (далее — «Guillemot») и ее дочерние предприятия отказываются от любой ответственности за любой ущерб, вызванный одним или несколькими из следующих факторов: (1) видоизменение, вскрытие или модификация изделия; (2) несоблюдение инструкций по сборке; (3) недопустимое или неправильное использование, небрежность, несчастный случай (например, физическое воздействие); (4) естественный износ; (5) использование продукта в любых целях, кроме бытовых, в том числе профессиональное или коммерческое применение (например, в игровых залах, для проведение обучения и соревнований). В мере, разрешенной применимым законодательством, компания Guillemot и ее дочерние предприятия отказываются от любой ответственности за любой ущерб, не связанный с дефектами материалов или изготовления, в отношении данного изделия (включая, помимо прочего, любой ущерб, вызванный прямо или опосредованно любым программным обеспечением или использованием изделия Thrustmaster с любыми неподходящими элементами, в частности — блоками питания, аккумуляторами, зарядными устройствами и любыми другими элементами, не входящими в комплектацию Guillemot для данного изделия).

**THRUSTMASTER®**

ТЕХНИЧЕСКОЙ ПОДДЕРЖКИ  
<https://support.thrustmaster.com>



## **АВТОРСКИЕ ПРАВА**

© Guillemot Corporation S.A., 2022. Все права защищены. Thrustmaster® является зарегистрированным товарным знаком корпорации Guillemot Corporation S.A. Выпускается и распространяется корпорацией Guillemot Corporation S.A. Все прочие товарные знаки и названия брендов подтверждаются настоящим документом и являются собственностью их соответствующих владельцев. Содержимое, дизайн и технические характеристики могут меняться без предварительного уведомления и отличаться в зависимости от страны. Фотографии и иллюстрации могут не соответствовать внешнему виду или функциям конкретного изделия. Разработан в Северной Америке и Европе. Изготовлен в Китае.

Для эксклюзивного использования с консолями PlayStation®5 и консолями PlayStation®4. «PS», «PlayStation», «PS5», «PS4» и «PlayStation Shapes Logo» являются зарегистрированными товарными знаками или товарными знаками компании Sony Interactive Entertainment Inc. Все права защищены. Все прочие товарные знаки являются собственностью их соответствующих владельцев. Выпускается и распространяется по лицензии компании Sony Interactive Entertainment LLC.

При использовании изделием учитывайте следующее: цвета и дизайн могут различаться. Пластиковые стяжки и клейкую ленту следует снять перед использованием изделия.

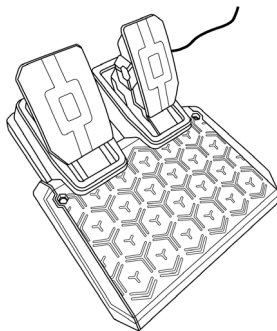
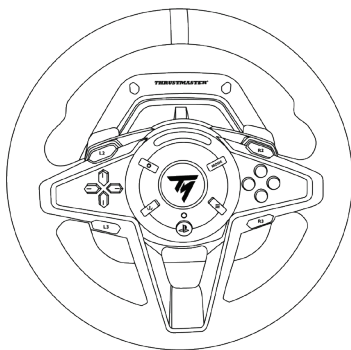
**[www.thrustmaster.com](http://www.thrustmaster.com)**



# T128

Pro konzole PlayStation®5, konzole PlayStation®4 a PC\*

Uživatelský manuál



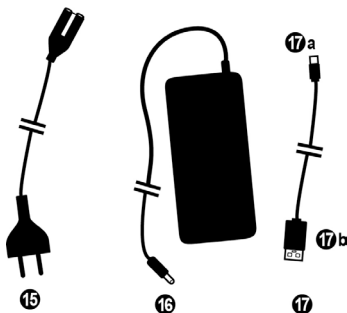
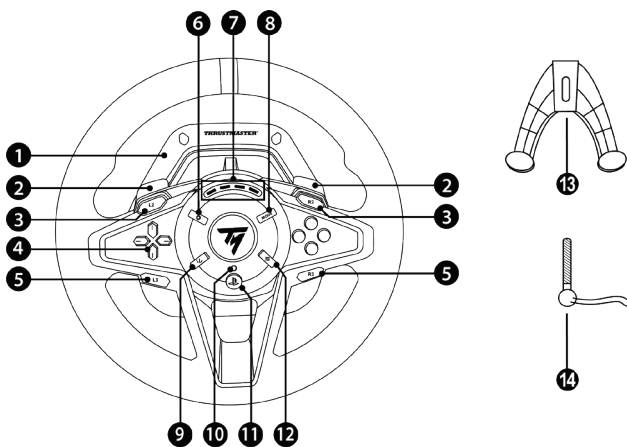
## UPOZORNĚNÍ:

Pro zajištění správného fungování závodního volantu T128 při hraní na konzolích PlayStation®5, konzolích PlayStation®4 nebo PC, budete možná muset nainstalovat automatické aktualizace hry

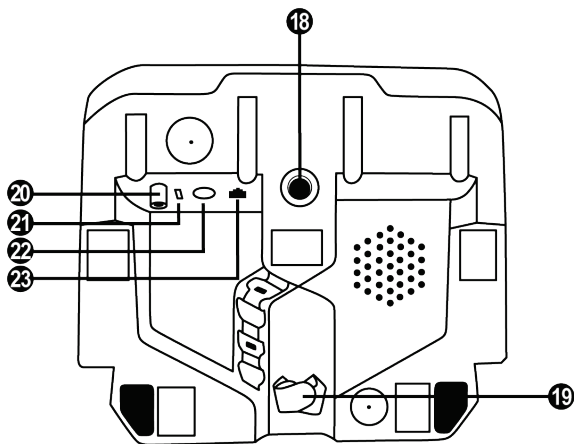
*(k dispozici po připojení vaší konzole nebo PC k internetu).*

\*Kompatibilita s PC (Windows® 10/11) nebyla testována ani schválena společností Sony Interactive Entertainment.

## TECHNICKÉ VLASTNOSTI



- |  |   |
|--|---|
| <p>1 Základna T128</p> <p>2 2 magnetické řadič páky (- a +)</p> <p>3 Tlačítka L2 a R2</p> <p>4 Směrová tlačítka</p> <p>5 Tlačítka L3 a R3</p> <p>6 Tlačítko SETTINGS</p> <p>7 4 RPM LED diody (zobrazení otáček motoru)</p> <p>8 Tlačítko MODE</p> <p>9 Tlačítko SHARE na konzolích PS4™<br/>Tlačítko CREATE na konzolích PS5™</p> | <p>10 LED diody herního režimu (modrá, červená nebo zelená)</p> <p>11 Tlačítko PS</p> <p>12 Tlačítka OPTIONS na konzolích PS4™ a konzolích PS5™</p> <p>13 Upevňovací systém</p> <p>14 Kovový upevňovací šroub</p> <p>15 Napájecí kabel (EU/US nebo UK...)</p> <p>16 Napájecí adaptér</p> <p>17 Kabel USB-C: USB-C (17a) – USB-A (17b)</p> |
|--|---|



**18** Velký otvor se závitem (pro upevňovací systém a upevňovací šroub)

**19** Držák kabelu s háčkem a smyčkou

**20** Konektor napájecího adaptéru

**21** Konektor USB-C závodního volantu

**22** Konektor Mini-DIN pro řadičí páku Thrustmaster, ruční brzdu nebo rozbočovač (prodává se samostatně)

**23** Konektor RJ12 pro sadu pedálů

# UPOZORNĚNÍ

Před použitím tohoto produktu si pečlivě přečtěte tuto příručku a uschovejte ji pro pozdější použití.



## **Varování - Úraz elektrickým proudem**

- \* Uchovávejte výrobek na suchém místě a nevystavujte jej prachu nebo slunečnímu záření.
- \* Neotáčejte ani netahejte za konektory a kabely.
- \* Na produkt nebo jeho konektory nevylejte žádnou tekutinu.
- \* Nezkratujte výrobek.
- \* Nikdy produkt nerozebírejte; nevhazujte jej do ohně a nevystavujte jej vysokým teplotám.
- \* Nepoužívejte jiný napájecí kabel než ten, který je dodáván s vaším závodním volantem.
- \* Nepoužívejte napájecí kabel, pokud je kabel nebo jeho konektory poškozené, rozřepené nebo zlomené.
- \* Ujistěte se, že je napájecí kabel správně zapojen do elektrické zásuvky a správně připojen ke konektoru v zadní části základny závodního volantu.
- \* Neotvírejte závodní volant: uvnitř nejsou žádné díly opravitelné uživatelem. Veškeré opravy musí provádět výrobce, jeho autorizovaný zástupce nebo kvalifikovaný technik.
- \* Používejte pouze upevňovací systémy / příslušenství doporučené výrobcem.
- \* Pokud závodní volant funguje neobvykle (pokud vydává neobvyklé zvuky, teplo nebo pachy), okamžitě jej přestaňte používat, odpojte napájecí kabel z elektrické zásuvky a odpojte ostatní kabely.
- \* Pokud nebudete závodní volant delší dobu používat, odpojte jeho napájecí kabel z elektrické zásuvky.
- \* Elektrická zásuvka musí být umístěna v blízkosti zařízení a musí být snadno přístupná.



Používejte pouze napájecí zdroj uvedený v pokynech pro uživatele.

### Informace o napájecím adaptéru

Zveřejněné informace	Hodnota	Jednotka
Název nebo ochranná známka výrobce, obchodní registrační číslo a adresa	<b>GUILLEMOT CORPORATION S.A.</b> 414 196 758 Rennes Place du Granier BP 97143 35571 Chantepie Cedex Francie	
Identifikátor modelu	<b>A481-1852590D</b>	
Vstupní napětí	<b>100 - 240</b>	V
Vstupní frekvence AC	<b>50 - 60</b>	Hz
Výstupní napětí	<b>18.5</b>	V DC
Výstupní proud	<b>2.6</b>	A
Výstupní výkon	<b>47.9</b>	W
Průměrná aktivní účinnost	<b>87.8</b>	%
Účinnost při nízkém zatížení (10%)	<b>87.8</b>	%
Spotřeba energie bez zátěže	<b>0.10</b>	W



### **Větrací otvory**

Ujistěte se, že neblokujete žádný z větracích otvorů na základně závodního volantu. Pro optimální větrání proveďte následující:

- \* Umístěte základnu volantu nejméně 10 cm od povrchů stěn.
- \* Neumisťujte základnu do těsných prostor.
- \* Nezakrývejte základnu.
- \* Na větracích otvorech se nesmí hromadit prach.



**Z bezpečnostních důvodů nikdy nepoužívejte sadu pedálů naboso nebo když máte na nohou jen ponožky.**

**THRUSTMASTER® ODMÍTÁ VEŠKEROU ODPOVĚDNOST V PŘÍPADĚ ZRANĚNÍ V DŮSLEDKU POUŽITÍ PEDÁLOVÉ SADY BEZ BOT.**



### **Varování - Zranění v důsledku Force Feedback a opakovaných pohybů**

Hraní se závodním volantem Force Feedback může způsobit bolesti svalů nebo kloubů. Aby se předešlo problémům:

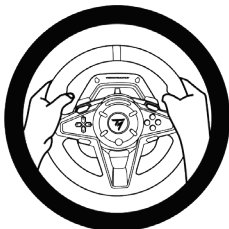
- \* Vyvarujte se zdoluhavých herních období.
- \* Po každé hodině hry si dejte 10 až 15 minutové přestávky.
- \* Pokud pocítíte únavu nebo bolest rukou, zápěstí, paží, chodidel nebo nohou, přestaňte hrát a na několik hodin si odpočiňte, než začnete znovu hrát.
- \* Pokud příznaky nebo bolest přetrvávají, i když začnete znovu hrát, přestaňte hrát a poraďte se s lékařem.
- \* Uchovávejte mimo dosah dětí.
- \* Během hry nechte obě ruce správně umístěné na volantu, aniž byste jej úplně pustili.
- \* Během hry nikdy nedávejte ruce ani prsty pod pedály ani kamkoli poblíž pedálu.
- \* Během kalibrace a hraní nikdy nedávejte ruku ani paži do otvorů v závodním volantu.
- \* Ujistěte se, že základna závodního volantu je řádně zajištěna podle pokynů v této příručce.



S výrobkem mohou zacházet pouze uživatelé starší 14 let



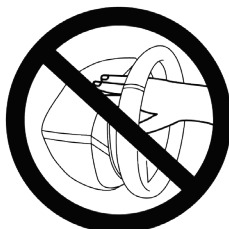
VŽDY



NIKDY



NIKDY



**Varování – Nebezpečí skřípnutí pedálovou sadou při hře**

- \* Pedálovou sadu uchovávejte mimo dosah dětí.
- \* Během herní relace nikdy nedávejte prsty na nebo do blízkosti stran pedálů.
- \* Během herní relace nikdy nedávejte prsty na nebo do blízkosti zadní části základny pedálů.
- \* Během herní relace nikdy nedávejte prsty na nebo do blízkosti přední části základny pedálů.

NIKDY



NIKDY



NIKDY



**Varování – Nebezpečí skřípnutí pedálovou sadou, když nehrajete**

- \* Uložte pedálovou sadu na bezpečném místě a uchovávejte ji mimo dosah dětí.

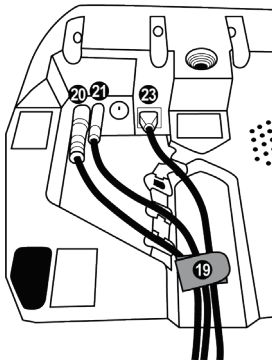
## PŘIPEVNĚNÍ ZÁVODNÍHO VOLANTU

### Přípevnění závodního volantu na stůl nebo na pracovní plochu

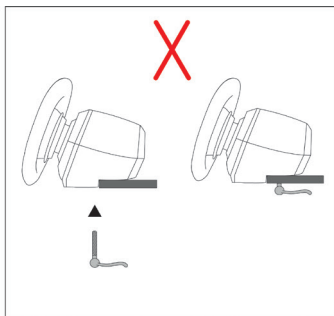
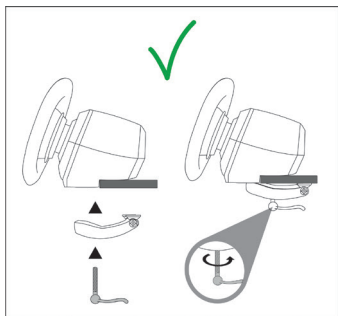
Na spodní straně volantu začněte připojením:

- napájecího adaptéru (20);
- kabelu USB-C (17a) pro rychlé uvolnění do konektoru USB-C (21);
- pedálové sady T2PM (23).

Ujistěte se, že různé kabely jsou umístěny ve správné dráze a připojte je pomocí držáku kabelu se suchým zipem (19).



1. Umístěte závodní volant na stůl nebo jiný vodorovný, rovný a stabilní povrch.
2. Upínací šroub (14) zasuněte do upínacího systému (13), zařízení potom utáhněte otočením šroubu proti směru hodinových ručiček tak, aby se zasunul do velké závitové díry (18) umístěné pod závodním volantem, a to dokud nebude volant dokonale stabilní.



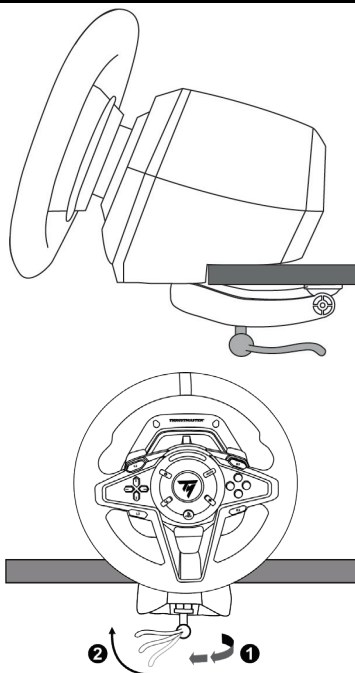
**UPOZORNĚNÍ:** Nikdy neutahujte samotný šroub, aniž byste měli upínací systém na místě!  
Mohlo by dojít k poškození závodního volantu.

**PŘÍPEVNĚNÍ /  
SEJMUTÍ**

**SMĚR**

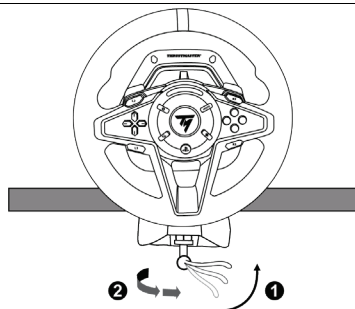
**Pro utažení:**

***Otočte šroubem  
proti směru  
hodinových  
ručiček***



**Pro uvolnění:**

***Otočte šroubem  
po směru  
hodinových  
ručiček***



# INSTALACE

## AUTOMATICKÁ KALIBRACE VOLANTU A PEDÁLOVÉ SADY

Volant se automaticky kalibruje, když zapojíte závodní volant do elektrické zásuvky a připojíte USB konektor závodního volantu ke konzoli PlayStation®5, konzoli PlayStation®4 nebo k PC. Během této fáze se závodní volant rychle otáčí doleva a doprava a pokrývá úhel 900 stupňů, než se zastaví ve středu



### **VAROVÁNÍ:**

**Během fáze autokalibrace se nikdy závodního volantu nedotýkejte!  
(Mohlo by to vést k nesprávné kalibraci a/nebo zranění osob.)**

Nikdy nepřipojujte pedálovou sadu k základně závodního volantu (ani ji neodpojujte od základny), pokud je připojena ke konzoli PlayStation® nebo k PC nebo během hry (mohlo by to vést k nesprávné kalibraci). Pedálovou sadu připojte vždy před připojením závodního volantu ke konzoli PlayStation®5, konzoli PlayStation®4 nebo k PC.

Jakmile je kalibrace závodního volantu dokončena a hra byla spuštěna, pedály jsou automaticky kalibrovány po několika stisknutích.



### **VAROVÁNÍ:**

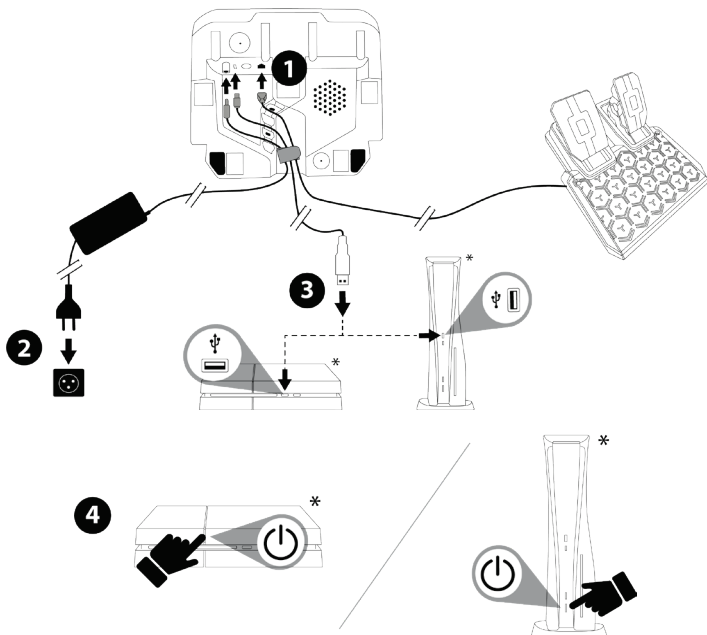
**Nikdy nemačkejte pedály během autokalibrační fáze  
závodního volantu nebo během načítání hry!  
(Mohlo by to vést k nesprávné kalibraci.)**

**Pokud váš závodní volant a/nebo pedálová sada nefungují správně, nebo pokud se zdají být nesprávně kalibrovány:**

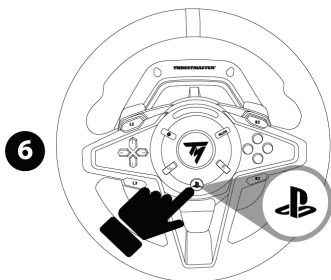
- Vypněte konzoli (nebo PC) a úplně odpojte závodní volant. Poté znovu připojte všechny kabely (včetně napájecího kabelu a pedálové sady) a restartujte konzoli (nebo PC) a vaši hru.
- Překonfigurujte pedálovou sadu nastavenou ve **výchozím** režimu podle postupu uvedeného dále v této uživatelské příručce (strana 16).

## INSTALACE NA KONZOLÍCH PLAYSTATION®4 NEBO NA KONZOLÍCH PLAYSTATION®5

1. Připojte sadu pedálů T2PM ke konektoru RJ12 (23) základny.
2. Zapojte napájecí kabel a napájecí adaptér do elektrické zásuvky.
3. Připojte kabel USB-C (17a) k portu USB-C (21) základny.  
Připojte kabel USB-A (17b) k portu USB-A na konzoli PS4™ nebo ke konzoli PS5™.
4. Po zapnutí konzole PlayStation®4 nebo konzole PlayStation®5. Závodní volant se automaticky zkalibruje.

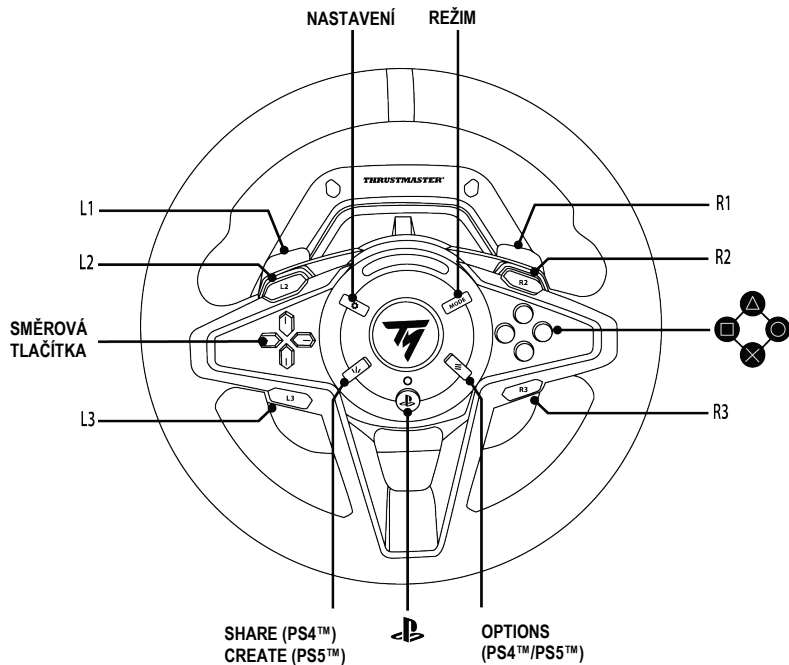


5. V případě potřeby vyberte herní REŽIM, ve kterém chcete hrát, postupem uvedeným dále v této uživatelské příručce (na straně 15).
6. Stiskněte tlačítko PS na závodním volantu (**11**) a přihlaste se ke svému účtu PlayStation™Network aby byl závodní volant funkční.



***Nyní jste připraveni hrát!***

# MAPOVÁNÍ PRO KONZOLE PLAYSTATION®4 NEBO PRO KONZOLE PLAYSTATION®5



## Důležité poznámky ke konzolím PS4™ nebo ke konzolím PS5™:

Závodní volant je ve hrách rozpoznáván jako závodní volant Thrustmaster T-GT nebo závodní volant Thrustmaster Advanced Racer.

- 4 LED diody otáček motoru (7) fungují ve hrách kompatibilních s Thrustmaster SDK. Seznam kompatibilních her je k dispozici zde: <https://support.thrustmaster.com> (v sekci **Racing wheels (Závodní volanty) / T128 / Game settings (Nastavení her)**). Tento seznam je pravidelně aktualizován.

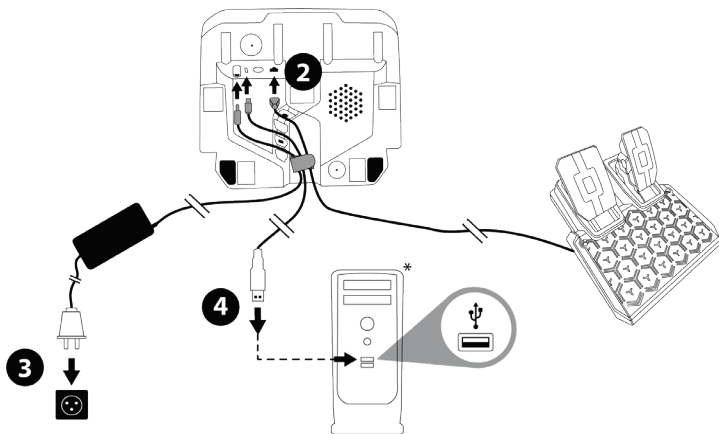
- Seznam her pro konzole PlayStation®4 a konzole PlayStation®5 kompatibilních se závodním volantem T128 naleznete zde: <https://support.thrustmaster.com> (v sekci **Racing wheels (Závodní volanty) / T128 / Game settings (Nastavení her)**). Tento seznam je pravidelně aktualizován.

## INSTALACE NA PC\*

\*Kompatibilita s PC (Windows® 10/11) není testována ani schválena společností Sony Interactive Entertainment.

1. Pro stažení ovladačů a softwaru Force Feedback pro PC navštivte <https://support.thrustmaster.com>. Zvolte **Racing Wheels (Závodní volanty) / T128 / Drivers (Ovladače)**.
2. Připojte sadu pedálů T2PM ke konektoru RJ12 (23) základny.
3. Zapojte napájecí kabel a napájecí adaptér do elektrické zásuvky.
4. Připojte kabel USB-C (17a) k portu USB-C (21) základny.
5. Připojte kabel USB-A (17b) k portu USB-A na počítači.

Závodní volant se automaticky zkalibruje.

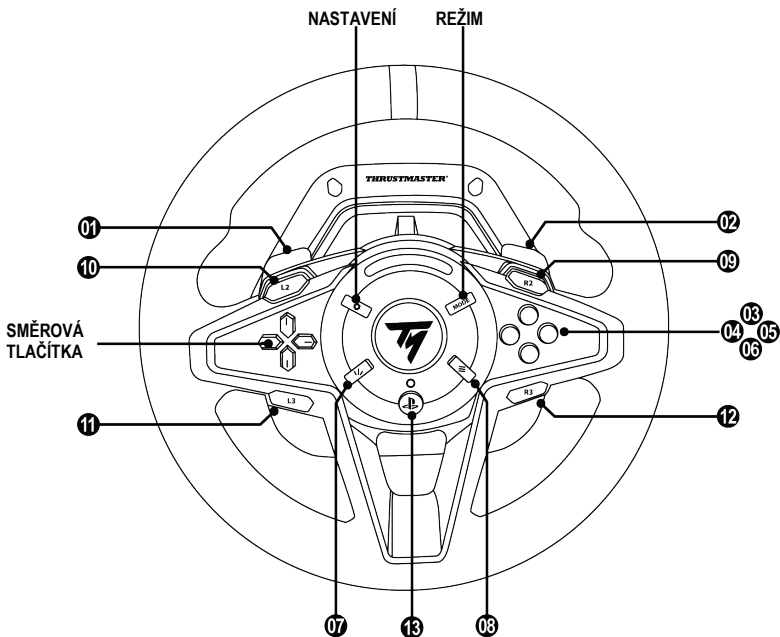


6. Výběrem položky **Start / Thrustmaster / FFB Racing Wheel / Control Panel (Ovládací panely)** otevřete okno **Game Controllers (Herní ovladače)**. V okně **Game Controllers (Herní ovladače)** se zobrazí název závodního kola **Thrustmaster Advanced Mode Racer** spolu se stavem **OK**.
7. Kliknutím na tlačítko **Properties (Vlastnosti)** nakonfigurujete závodní volant v ovládacím panelu T128:

- **Karta Testovací zařízení:** umožňuje otestovat a zobrazit akční tlačítka, směrová tlačítka a osy závodního volantu (a také osy sady pedálů) a nastavit úhel natočení závodního volantu v počítačových hrách.
- **Karta Testovací síly:** umožňuje otestovat 12 efektů Force Feedback.
- **Karta Nastavení síly:** umožňuje nastavit sílu efektů Force Feedback v počítačových hrách.



# MAPOVÁNÍ PRO PC



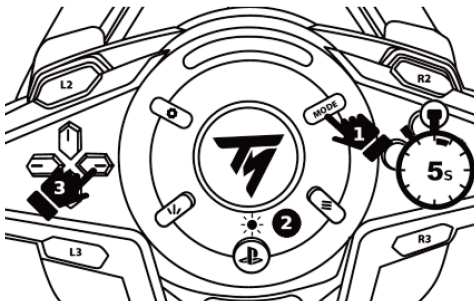
## Poznámky pro PC:

- Na ovládacím panelu a ve hrách je závodní volant rozpoznán pod názvem **Thrustmaster Advanced Mode Racer**.
- Před spuštěním hry vždy nezapomeňte okno **Game Controllers (Herní ovladače)** zcela zavřít kliknutím na tlačítko **OK**.
- Nastavení a úpravy provedené v okně **Game Controllers (Herní ovladače)** se ukládají pouze v počítači (a proto nebudou mít žádný vliv na konzole PS4™ ani konzole PS5™).
- Verze firmwaru vašeho závodního volantu se zobrazuje v pravé horní části karet ovládacího panelu T128.
- 4 LED diody otáček motoru (7) fungují ve hrách kompatibilních s Thrustmaster SDK. Seznam kompatibilních her je k dispozici zde: <https://support.thrustmaster.com> (v sekci **Racing wheels (Závodní volanty) / T128 / Game settings (Nastavení her)**). Tento seznam je pravidelně aktualizován.

## VÝBĚR HERNÍHO REŽIMU

### Postup:

1. Stiskněte a podržte tlačítko **MODE (8)** na 5 vteřin, dokud nezačne blikat kontrolka **LED (10)** umístěná nad tlačítkem **PS**.
2. Anž byste uvolnili tlačítko **MODE (8)**, stiskněte současně pravé směrové tlačítko **(4)** a vyberte herní režim.



BARVA KONTROLKY 	HERNÍ REŽIM
MODRÁ	PLAYSTATION® STANDARDNÍ KOMPATIBILITA (výchozí nastavení)
ČERVENÁ	PLAYSTATION® BUDOUCÍ KOMPATIBILITA
ZELENÁ	PC

Po výběru herního režimu uvolněte tlačítka: váš výběr se uloží do vnitřní paměti závodního volantu. Závodní volant se restartuje a sám se zkalibruje.

### Poznámky:

- Na konzolích PlayStation®4 a konzolích PlayStation®5: aby byl závodní volant T128 po autokalibraci funkční, stiskněte tlačítko **PS (11)** a přihlaste se k účtu PlayStation™Network.
- Seznam her kompatibilních s konzolí PlayStation®4 a s konzolí PlayStation®5 a T128 (a odpovídajících hernímu REŽIMU) je dostupný na: <https://support.thrustmaster.com> (v sekci **Racing Wheels (Závodní volanty) / T128 / Games settings (Nastavení her)**). Tento seznam je pravidelně aktualizován.

## REŽIM PRO PEDÁLOVOU SADU (Zobrazí se při každém restartu závodního volantu)

Při každém opětovném spuštění závodního volantu (a po jeho autokalibraci) indikují 4 RPM LED diody otáček (7) režim (polohu a typ), ve kterém je vaše pedálová sada nakonfigurována.

### Pozice:

- **NORMÁLNÍ:** výchozí pozice;
- nebo **INVERTOVANÁ:** v této poloze jsou pedály plynu a spojky obrácené - tato poloha je možná pouze se sadou 3 pedálů.

### Typ:

- **T2PM-T3PA-T3PM** bez technologie Load Cell: **výchozí typ;**
- nebo **T-LCM** s technologií Load Cell.

REŽIM PRO PEDÁLOVOU SADU	BLIKÁNÍ LED diod otáček (7)
<b>VÝCHOZÍ REŽIM</b> - NORMÁLNÍ pozice - T2PM-T3PA-T3PM typ	<b>VÝCHOZÍ REŽIM</b> 
- NORMÁLNÍ pozice - T-LCM typ	
- INVERTOVANÁ pozice - T2PM-T3PA-T3PM typ	
- INVERTOVANÁ pozice - T-LCM typ	

## REKONFIGURACE PEDÁLOVÉ SADY VE VÝCHOZÍM REŽIMU (Provádí se, pokud pedálová sada nefunguje správně)

### Postup:

- RYCHLE stiskněte 8krát tlačítko NASTAVENÍ (6).



Čtyři LED diody otáček (7) bliknou pětkrát současně, což signalizuje rekonfiguraci ve výchozím režimu.



## OBRÁCENÍ POLOHY PEDÁLŮ (Pokud používáte sadu pedálů se třemi pedály)

Závodní volant T128 je standardně dodáván se sadou 2 pedálů T2PM. Tento závodní volant je také kompatibilní se sadami 3 pedálů Thrustmaster T3PA, T3PM a T-LCM (prodávají se samostatně).

Pokud používáte sadu 3 pedálů, je možné elektronicky invertovat pedály plynu a spojky.

### Postup:

- Stiskněte a podržte tlačítko **NASTAVENÍ (6)** po dobu **5 sekund**.



Obrácení pedálů se okamžitě uloží do vnitřní paměti závodního volantu a jedna ze 4 LED diod otáček (7) třikrát blikne, aby indikovala zvolenou polohu.

PEDÁLY PLYNU A SPOJKY	BLIKÁNÍ LED DIOD OTÁČEK (7)
<b>VÝCHOZÍ REŽIM</b> - NORMÁLNÍ pozice	
- INVERTOVANÁ pozice	

# RUČNÍ PŘEPNUTÍ PEDÁLOVÉ SADY Z TYPU T2PM-T3PA-T3PM NA TYP T-LCM

(a naopak)

Ve výchozím nastavení je režim sady pedálů typu **T2PM-T3PA-T3PM**.

Tento režim je uložen v interní paměti základny závodního volantu a zůstává vždy aktivní, kromě případů, kdy k portu RJ12 připojíte sadu pedálů T-LCM nebo režim přepnete ručně.

## Postup:

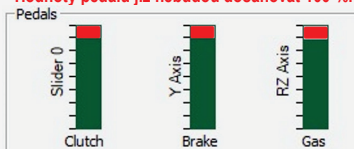
- Stisknete a podržte současně tlačítko **SETTINGS (6)** a levou řadičí páku (-) po dobu **5 sekund**.



REŽIM	BLIKÁNÍ LED DIOD OTÁČEK (7)
<b>VÝCHOZÍ REŽIM</b> - typ T2PM-T3PA-T3PM	
- typ T-LCM	



**U typu T-LCM nebudou pedálové sady T2PM, T3PA a T3PM správně fungovat.  
Hodnoty pedálů již nebudou dosahovat 100 %.**



**Pro správnou funkci (a dosažení 100 %) je třeba ručně přepnout režim základny závodního volantu na typ T2PM-T3PA-T3PM.**

## RUČNÍ ZMĚNA ÚHLU NATOČENÍ POMOCÍ ZÁVODNÍHO VOLANTU (možné pouze ve hrách, ve kterých se úhel natočení neupravuje automaticky)

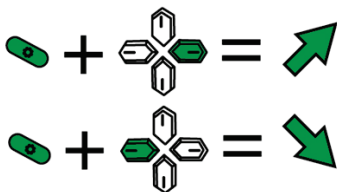
Závodní volant T128 má úhel natočení nastavitelný v rozmezí 270° až 900°.

V mnoha hrách je úhel natočení závodního volantu automatický a přizpůsobuje se sám podle použitého vozu. V těchto hrách není možné tento úhel natočení ručně měnit, protože tuto funkci řídí hra, a nikoli uživatel.

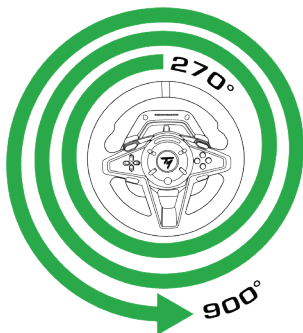
V jiných hrách je možné ručně měnit úhel natočení přímo pomocí závodního volantu..

### Postup:

- Současným stisknutím tlačítka **NASTAVENÍ (6)** a pravého směrového tlačítka **(4)** zvýšíte úhel natočení o jeden stupeň; nebo
- Současným stisknutím tlačítka **NASTAVENÍ (6)** a levého směrového tlačítka **(4)** snížíte úhel natočení o jeden stupeň.



4 možné úrovně	
Zvolený úhel natočení	LED DIODY OTÁČEK (7)
270°	
360°	
540°	
900°	



**Upozornění:** Úhel natočení upravený ručně pomocí závodního volantu není trvale uložen. Tento postup je nutné provést při každém restartu hry nebo závodního volantu.

## DALŠÍ FUNKCE SOUVISEJÍCÍ S TLAČÍTKEM NASTAVENÍ (6)

Navštivte prosím <https://support.thrustmaster.com>.

Zvolte **Racing Wheels (Závodní volanty)** / T128 a poté **Manual (Manuál)** nebo **FAQ**.

## AKTUALIZACE FIRMWARU ZÁVODNÍHO VOLANTU

Navštivte <https://support.thrustmaster.com>.

Zvolte **Racing Wheels (Závodní volanty)** / T128 / **Firmware** a postupujte podle instrukcí.

## RŮZNÉ TIPY A NEJČASTĚJŠÍ DOTAZY

Navštivte <https://support.thrustmaster.com>.

Zvolte **Racing Wheels (Závodní volanty)** / T128 a poté **Manual (Manuál)** nebo **FAQ**.

EN

FR

DE

NL

IT

ES

PT

RU

CS

TR

PL

日本語

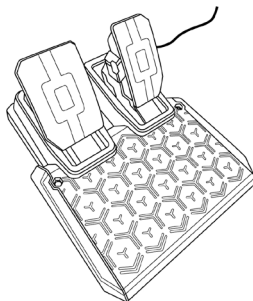
繁體中文  
繁體中文

한국어

العربية



# PEDÁLOVÁ SADA T2PM



## VAROVÁNÍ

Před použitím tohoto výrobku si pečlivě přečtete tuto příručku a uložte si ji pro pozdější použití.



Z bezpečnostních důvodů nikdy nepoužívejte pedálovou sadu bosýma nohama, nebo když máte na nohou pouze ponožky.

**SPOLEČNOST THRUSTMASTER® SE ZŘÍKÁ VEŠKERÉ ODPOVĚDNOSTI V PŘÍPADĚ ZRANĚNÍ V DŮSLEDKU POUŽÍVÁNÍ PEDÁLOVÉ SADY BEZ OBUVI..**



### **Varování – Nebezpečí skřípnutí pedálovou sadou při hře**

- \* Pedálovou sadu uchovávejte mimo dosah dětí.
- \* Během herní relace nikdy nedávejte prsty na nebo do blízkosti stran pedálů.
- \* Během herní relace nikdy nedávejte prsty na nebo do blízkosti zadní části základny pedálů.
- \* Během herní relace nikdy nedávejte prsty na nebo do blízkosti přední části základny pedálů.

**NIKDY**



**NIKDY**



**NIKDY**

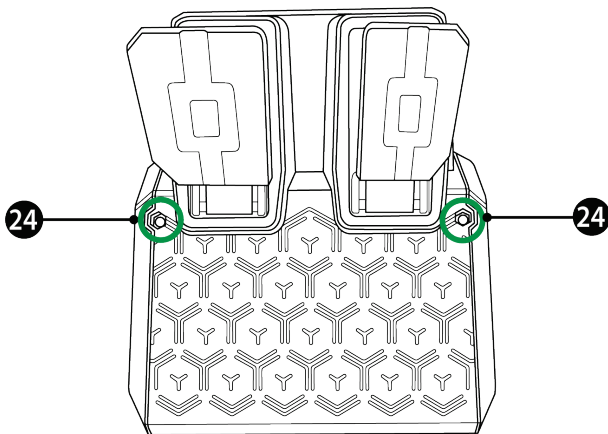


### **Varování – Nebezpečí skřípnutí pedálovou sadou, když nehrajete**

- \* Uložte pedálovou sadu na bezpečném místě a uchovávejte ji mimo dosah dětí.

## PŘIPEVNĚNÍ PEDÁLOVÉ SADY K PODPĚŘE NEBO KOKPITU

Sadu pedálů lze připevnit k různým podpěrám (prodávají se samostatně) pomocí dvou perforací (24) umístěných na obou stranách sady pedálů.



**Pokud váš závodní volant a/nebo sada pedálů nefungují správně nebo pokud se zdá, že jsou nesprávně kalibrovány:**

Vypněte konzoli nebo počítač a zcela odpojte závodní volant. Poté znovu připojte všechny kabely (včetně napájecího kabelu a sady pedálů) a restartujte konzoli (nebo počítač) a hru.

## **SPOTŘEBITELSKÉ INFORMACE O ZÁRUČE**

Celosvětově, Guillemot Corporation S.A., jejíž sídlo se nachází na Place du Granier, B.P. 97143, 35571 Chantepie, France (dále jen "Guillemot") zaručuje spotřebiteli, že tento výrobek od Thrustmasteru bude bez závad materiálu a zpracování, po dobu záruční doby od okamžiku převzetí výrobku ve shodě s ohledem na tento výrobek. V zemích Evropské Unie, tato doba odpovídá dvěma (2) letům od dodání výrobku Thrustmaster. V ostatních zemích, záruční doba odpovídá časovému intervalu od převzetí výrobku Thrustmaster v souladu s platnými zákony země, ve které měl spotřebitel trvalý pobyt ke dni nákupu výrobku Thrustmaster (pokud žádné takové opatření v příslušné zemi neexistuje, záruční doba bude jeden (1) rok od data nákupu výrobku Thrustmaster).

Bez ohledu na výše uvedené podmínky, je záruční doba na dobíjecí baterie omezena na dobu šesti (6) měsíců od původního datumu nákupu.

Pokud se u výrobku během záruční doby objeví závada, neprodleně kontaktujte Technickou podporu, kde vám naznačí postup, jak záruku uplatnit. Pokud bude závada uznána, výrobek musí být vrácen prodávajícímu, kde byl zakoupen (nebo na jiné místo, které určí Technická podpora).

V rámci této záruky, bude vadný výrobek podle Technické podpory buď vyměněn nebo uveden do funkčního stavu. Pokud bude během záruční doby výrobek Thrustmasteru opravován, bude záruční doba o dobu, kdy nebylo možné výrobek používat prodloužena, nejméně alespoň o sedm (7) dní (tato doba začíná datem, kdy zákazník požádal o vyřízení reklamacce nebo od data, kdy dotyčný produkt byl k dispozici pro opravu, pokud datum předání výrobku k opravě je po datu žádosti o vyřízení reklamacce). Pokud to umožňují platné zákony, je plná odpovědnost společnosti Guillemot a jejich dceřiných společností (včetně následných škod) omezena na navrácení produktu do provozuschopného stavu nebo na výměnu výrobku Thrustmaster. Pokud to umožňují platné zákony, Guillemot se zřiká všech záruk obchodovatelnosti nebo vhodnosti pro určitý účel.

Tato záruka se nevztahuje na: (1) pokud byl výrobek modifikován, otevřen, změněn nebo utrpěl poškození v důsledku nevhodného nebo nesprávného používání, nedbalosti, nehody, běžného opotřebení, nebo jakékoliv jiné příčiny, nesouvisející s vadou materiálu nebo zpracování (včetně, ale ne pouze, při kombinaci výrobku Thrustmaster s jakýmkoliv nevhodným prvkem, včetně zejména napájecích adaptérů, nabíjecích baterií, nabíječky, nebo jiných prvků, které nebyly k tomuto výrobku dodány společností Guillemot; (2) pokud byl výrobek používán pro jiné účely než domácí použití, včetně profesionálních a komerčních účelů (např. v hemách, při tréninku, při závodech); (3) v případě nedodržení pokynů poskytovaných Technickou podporou; (4) software, na zmíněný software je poskytována zvláštní záruka; (5) spotřební materiál (prvky, které mohou být vyměněny v průběhu životnosti produktu: baterie na jedno použití, náhlavní sluchátkové soupravy nebo např. náušníky sluchátek); (6) příslušenství (například kabely, pouzdra, brašny, zápníky řemínky); (7) pokud byl výrobek prodán ve veřejné aukci.

Tato záruka je nepřenositelná.

Zákonná práva spotřebitele vzhledem k platným zákonům vztahujícím se na prodej spotřebního zboží v jeho nebo její zemi nejsou touto zárukou ovlivněny.

### Další ustanovení o záruce

V průběhu záruční doby, Guillemot zásadně nedodává žádné náhradní díly, neboť Technická podpora je jedinou stranou autorizovanou k demontáži a opravě jakéhokoliv produktu Thrustmaster (s výjimkou jakéhokoliv opravy, o kterou zákazník požádá Technická podpora prostřednictvím písemných pokynů, například z důvodu jednoduchosti a neutajovaného postupu opravy a poskytnutím požadovaných náhradních dílů, jsou-li použitelné).

Vzhledem ke svému inovačnímu cyklu a s cílem ochrany know-how a obchodního tajemství, nesmí Guillemot zásadně poskytovat jakékoli vyrozumění o opravách nebo náhradních dílech jakéhokoliv výrobku Thrustmaster, jehož záruční doba již vypršela.

### Odpovědnost

Pokud to povolují příslušné zákony, Guillemot Corporation S.A. (dále jen "Guillemot") a její dceřiné společnosti se zřikají veškeré odpovědnosti za škody způsobené jedním nebo více následujícími body: (1) výrobek byl modifikován, otevřen nebo pozměněn; (2) nedodržení návodu k montáži; (3) nevhodné nebo nesprávné používání, nedbalost, nehoda (například náraz); (4) běžné opotřebení; (5) použití výrobku pro jakékoli jiné než domácí použití, včetně profesionálního nebo komerčního použití (například v hernách, pro výcvik, při soutěžích). Pokud to povolují příslušné zákony, Guillemot a její dceřiné společnosti se zřikají veškeré odpovědnosti za jakékoli škody, které nesouvisí s použitými materiály nebo výrobní vadou příslušného výrobku (včetně, ale nikoliv výhradně, veškerých škod způsobených přímo nebo nepřímo softwarem, nebo kombinací výrobku Thrustmaster s jakýmkoli nevhodným prvkem včetně zejména napájecími zdroji, dobíjecími bateriemi, nabíječkami nebo jakýmkoli jinými prvky, které nebyly společností Guillemot k tomuto výrobku dodány).

**THRUSTMASTER®**

**TECHNICKÁ PODPORA**

<https://support.thrustmaster.com>



## AUTORSKÁ PRÁVA

©2022 Guillemot Corporation S.A. Všechna práva vyhrazena. Thrustmaster® je registrovaná ochranná známka společnosti Guillemot Corporation S.A. Vyrábí a distribuuje společnost Guillemot Corporation S.A. Všechny ostatní ochranné známky a názvy značek se tímto uznávají a jsou majetkem příslušných vlastníků. Obsah, design a specifikace se mohou bez předchozího upozornění změnit a mohou se v jednotlivých zemích lišit. Fotografie a ilustrace nejsou závazné. Navrženo v Severní Americe a Evropě, vyrobeno v Číně.

K použití výhradně s konzolemi PlayStation®5 a konzolemi PlayStation®4.

„PS“, „PlayStation“, „PS5“, „PS4“ a „PlayStation Shapes Logo“ jsou registrované ochranné známky nebo ochranné známky společnosti Sony Interactive Entertainment Inc. Všechna práva vyhrazena. Všechny ostatní obchodní známky jsou majetkem jejich příslušných vlastníků. Vyrobeno a distribuováno pod licencí společnosti Sony Interactive Entertainment LLC.

## DOPORUČENÁ OCHRANA ŽIVOTNÍHO PROSTŘEDÍ



V zemích Evropské unie, Spojeném království a Turecku: Na konci životnosti by tento výrobek neměl být vhozen do standardního směsného odpadu, ale odevzdán do sběrného dvoru na recyklaci elektrických a elektronických zařízení.

Toto je potvrzeno symbolem, který je na výrobku, v uživatelském manuálu nebo na obalu.

V závislosti na charakteristice materiálů, mohou být tyto recyklovány. Recyklaci a dalšími formami zpracování odpadních elektrických a elektronických zařízení můžete významným způsobem přispět k ochraně životního prostředí.

Pro informace o nejbližším sběrném dvoru se obraťte na místní úřad.

Pro všechny ostatní země: Dodržujte prosím místní předpisy týkající se recyklace elektrických a elektronických zařízení.

Tyto informace si uchovejte. Barvy a dekorace se mohou lišit.

Před použitím by měly být z výrobku odstraněny plastové spojovací lepicí materiály.

[www.thrustmaster.com](http://www.thrustmaster.com)

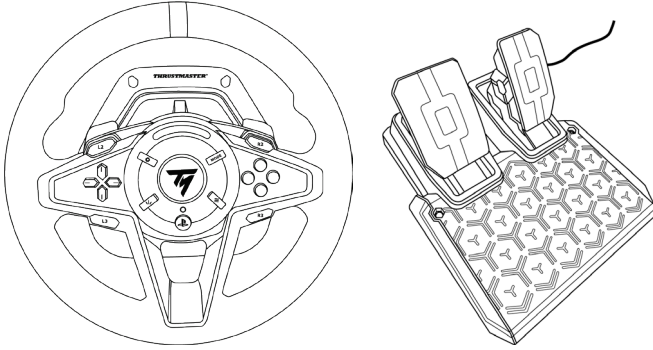
*\*Platné pouze pro EU, Spojené království a Turecko*



# T128

PlayStation®5 konsolları, PlayStation®4 konsolları ve PC\* için

Kullanma Kılavuzu

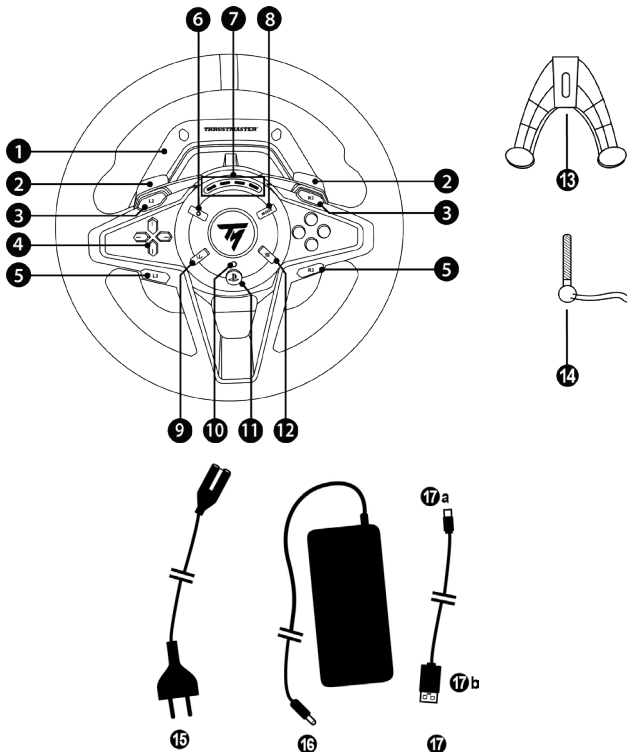


## **UYARI:**

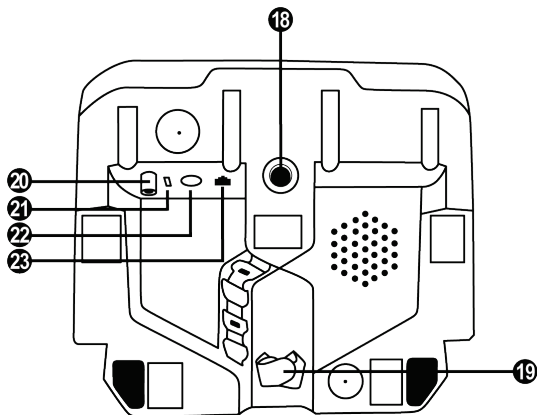
T128 yarış direksiyonunuzun PlayStation®5 konsolları, PlayStation®4 konsolları veya PC'deki oyunlarla düzgün çalışmasını sağlamak için, oyunların otomatik güncellemelerini yüklemeniz gerekebilir  
(konsol veya PC'niz İnternete bağlıyken yapılabilir).

\*PC uyumluluğu (Windows® 10/11), Sony Interactive Entertainment tarafından test edilmemiş veya tasdik edilmemiştir.

## TEKNİK ÖZELLİKLER



- |   |   |    |  |
|---|---|----|--|
| 1 | T128 tabanı   | 10 | Oyun modu LED'i (mavi, kırmızı veya yeşil)                   |
| 2 | 2 manyetik vites kulakçığı (- ve +)                                       | 11 | PS düğmesi   |
| 3 | L2 ve R2 düğmeleri  | 12 | PS4™ konsollarındaki ve PS5™ konsollarındaki OPTIONS düğmesi |
| 4 | Yön düğmeleri   | 13 | Montaj sistemi   |
| 5 | L3 ve R3 düğmeleri  | 14 | Metal bağlantı vidası  |
| 6 | AYARLAR düğmesi   | 15 | Güç kablosu (AB/ABD/İngiltere...)                            |
| 7 | 4 devir LED'i (motor devri göstergesi)                                    | 16 | Güç adaptörü   |
| 8 | MODE düğmesi  | 17 | USB kablosu: USB-C (17a) – USB-A (17b)                       |
| 9 | PS4™ konsollarındaki SHARE düğmesi<br>PS5™ konsollarındaki CREATE düğmesi |    |  |



18 Büyük dişli delik (montaj sistemi ve sabitleme vidası için)

19 Cırt cırt kablo tutucu

20 Güç adaptörü konektörü

21 Yarış direksiyonu USB-C konektörü

22 Thrustmaster vites, el freni veya hub (ayrı satılır) için Mini-DIN konektörü

23 Pedal seti için RJ12 konektörü



## UYARI

Bu ürünü kullanmadan önce lütfen bu kılavuzu dikkatlice okuyun ve daha sonra başvurma ihtiyacı duymanız halinde kullanmak üzere güvenli bir yerde saklayın.



### Uyarı - Elektrik çarpması

- \* Ürünü kuru bir yerde saklayın ve toza veya güneş ışığına maruz bırakmayın.
- \* Konektörleri ve kabloları bükmeyin ve çekmeyin.
- \* Ürünün veya konektörlerinin üzerine herhangi bir sıvı dökmeyin.
- \* Ürünü kısa devre yapmayın.
- \* Ürünü asla parçalarına ayırmayın, ateşe atmayın ve yüksek sıcaklıklara maruz bırakmayın.
- \* Yarış direksiyonunuzla verilen elektrik kablosunun dışında elektrik kablosu kullanmayın.
- \* Kablo veya fişi hasarlı, yarık veya kırıkta elektrik kablosunu kullanmayın.
- \* Elektrik kablosunun prize ve yarış direksiyonu tabanının arka kısmında bulunan konektöre düzgün bir şekilde takıldığından emin olun.
- \* Yarış direksiyonunun içini açmayın: İçinde kullanıcı tarafından bakım/onarım yapılabilecek parça yoktur. Tüm onarım işlemleri üretici firma, yetkili temsilcisi veya kalifiye teknisyen tarafından yapılmalıdır.
- \* Sadece üretici tarafından belirtilmiş olan montaj sistemlerini/aksesuarları kullanın.
- \* Yarış direksiyonu beklenmeyen şekilde çalışıyorsa (anormal sesler, ısı veya koku yayıyorsa) direksiyonu kullanmayı derhal kesin, elektrik kablosunu prizden çekin ve diğer kabloları ayırın.
- \* Yarış direksiyonunu uzun süre kullanmayacasanız elektrik kablosunu duvar prizinden çekin.
- \* Elektrik prizi ekipmana yakın ve kolayca ulaşılabilir olmalıdır.



Sadece kullanma kılavuzunda listelenen güç kaynağını kullanın.

### Güç besleme adaptörü için bilgi

Yayınlanan bilgi	Değer	Birim
Üreticinin adı veya ticari markası, ticari sicil numarası ve adresi	<b>GUILLEMOT CORPORATION S.A.</b> 414 196 758 Rennes Place du Granier BP 97143 35571 Chantepie Cedex Fransa	
Model adı	<b>A481-1852590D</b>	
Giriş gerilimi	<b>100 - 240</b>	V
Giriş AC frekansı	<b>50 - 60</b>	Hz
Çıkış gerilimi	<b>18,5</b>	V DC
Çıkış akımı	<b>2,6</b>	A
Çıkış gücü	<b>47,9</b>	W
Ortalama aktif verimlilik	<b>87,8</b>	%
Düşük yükte (%10) verimlilik	<b>87,8</b>	%
Yüksüz güç tüketimi	<b>0,10</b>	W



### **Havalandırma delikleri**

Yarış direksiyonunun tabanı üzerindeki hiçbir havalandırma deliğini bloke etmediğinizden emin olun. Optimum havalandırma için aşağıdaki noktalara dikkat edin:

- \* Direksiyon tabanını tüm duvar yüzeylerinden en az 10 cm uzağa yerleştirin.
- \* Tabanı dar yerlere yerleştirmeyin.
- \* Tabanı örtmeyin.
- \* Havalandırma deliklerinin üzerinde toz birikmesine izin vermeyin.



**Güvenlik nedeniyle pedal setini asla çıplak ayaklarla veya ayağınıza sadece çorap giyerek kullanmayın.**

**THRUSTMASTER® PEDAL SETİNİN AYAKKABISIZ KULLANILMASINDAN KAYNAKLANAN YARALANMALARDA HİÇBİR SORUMLULUK KABUL ETMEZ.**



### **Uyarı - Force Feedback ve tekrarlanan hareketlerden dolayı yaralanma**

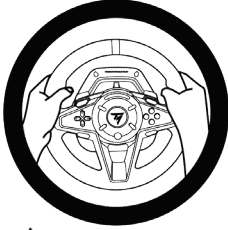
Force Feedback direksiyonla oynamak kas veya eklem ağrısına neden olabilir. Her türlü sorunu önlemek için:

- \* Uzun oyun periyotlarından sakının.
- \* Her oyun saatinin ardından 10 ila 15 dakika ara verin.
- \* Ellerinizde, bileklerinizde, kollarınızda, ayaklarınızda veya bacaklarınızda yorgunluk veya ağrı hissederseniz oynamayı kesin ve yeniden oynamaya başlamadan önce birkaç saat dinlenin.
- \* Yeniden oynamaya başladığınızda belirtilen semptomlar veya ağrı tekrar ederse oynamayı kesin ve bir doktora başvurun.
- \* Çocukların ulaşabileceği yerlerden uzak tutun.
- \* Oyun oynarken kollarınızı, tamamen gitmesine izin vermeden daima yarış direksiyonunun üzerinde doğru konumlandırılmış olarak bırakın.
- \* Oyun oynarken asla ellerinizi veya parmaklarınızı pedalların altına ya da pedal setine yakın yerlere koymayın.
- \* Kalibrasyon ve oyun sırasında asla elinizi veya kolunuzu yarış direksiyonundaki deliklere sokmayın.
- \* Yarış direksiyonu tabanının bu kılavuzda belirtildiği gibi düzgün bir şekilde sabitlendiğinden emin olun.



Sadece 14 yaş ve üzeri kullanıcılar tarafından kullanılabilir ürün

DAİMA



ASLA



ASLA



**Uyarı – Oynarken pedal seti sıkıştırma tehlikesi**

- \* Pedal setini çocukların ulaşabileceği yerlerden uzak tutun.
- \* Oyun oynarken parmaklarınızı asla pedalların yanlarına veya yakın yerlere koymayın.
- \* Oyun oynarken parmaklarınızı asla pedalların arka tabanı üzerine veya yakın yerlere koymayın.
- \* Oyun oynarken parmaklarınızı asla pedalların ön tabanı üzerine veya yakın yerlere koymayın.

ASLA



ASLA



ASLA



**Uyarı – Oynamıyorken pedal seti sıkıştırma tehlikesi**

- \* Pedal setini güvenli ve çocukların ulaşamayacağı bir yerde saklayın.

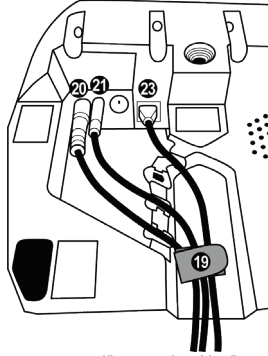
# YARIŞ DİREKSİYONUNUN MONTE EDİLMESİ

## Yarış direksiyonunun bir sehpa veya masaya monte edilmesi

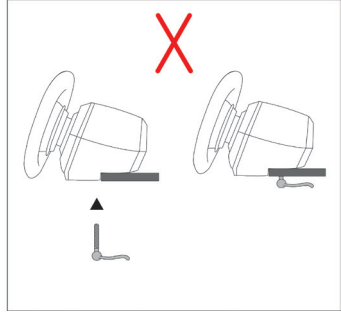
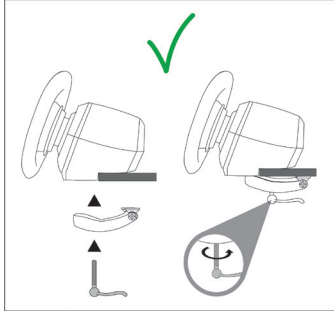
Direksiyonun alt tarafını bağlayarak başlayın:

- güç adaptörünü (20);
- hızlı ayırma USB-C kablosunu (17a) USB-C konektörüne (21);
- T2PM pedal setini (23).

Farklı kablo yollarını takip ettiğinizden emin olun ve kabloları cırt cırt kablo tutucuyu (19) kullanarak tutturun.



1. Yarış direksiyonunu bir masa veya yatay, düz ve sağlam bir yüzeye yerleştirin.
2. Bağlantı vidasını (14) montaj sistemine (13) takın ve direksiyon tamamen sabitlenene dek bağlantı vidasını saatin aksi yönünde sıkarak, yarış direksiyonunu altındaki büyük dişli deliğe (18) geçirin.



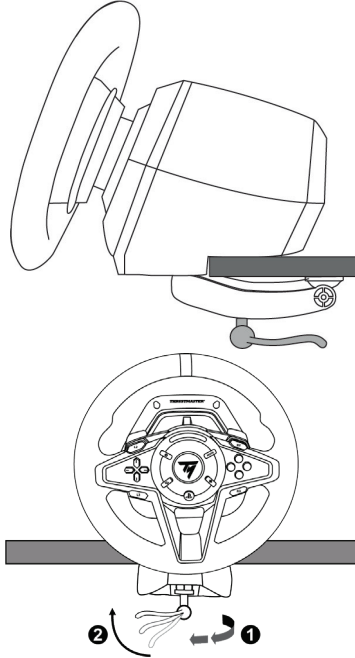
**UYARI:** Vidayı, montaj sistemi olmadan asla tek başına sıkmayın!  
Yarış direksiyonuna zarar verebilir.

MONTE ETME /  
SÖKME

YÖN

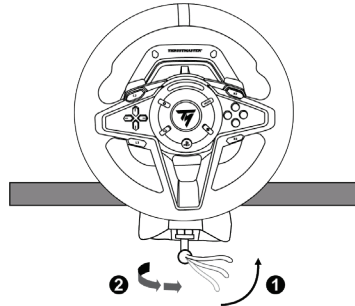
**Sıkmak için:**

*Vidayı saatin  
aksi yönünde  
çevirin*



**Gevşetmek için:**

*Vidayı saat  
yönünde çevirin*



## OTOMATİK YARIŞ DİREKSİYONU VE PEDAL SETİ KALİBRASYONU

Yarış direksiyonunu elektrik prizine ve yarış direksiyonunun USB konektörünü PlayStation®5 konsolu, PlayStation®4 konsolu veya PC'ye bağladığınızda yarış direksiyonu kendini otomatik olarak kalibre eder.

Bu aşamada yarış direksiyonu, 900 derecelik bir açıyı kaplayıp merkezde durmadan önce sola ve sağa doğru hızlı bir şekilde döner.



**UYARI:**

**Otomatik kalibrasyon aşamasında yarış direksiyonuna asla dokunmayın.**  
*(Hatalı kalibrasyona ve/veya yaralanmalara neden olabilir.)*

PlayStation® konsolu veya PC'ye bağlıyken veya oyun sırasında pedal setini asla yarış direksiyonu tabanına bağlamayın (veya tabandan ayırmayın) (hatalı kalibrasyona neden olabilir).

Pedal setini daima yarış direksiyonunu PlayStation®5 konsolu, PlayStation®4 konsolu veya PC'ye bağlamadan önce bağlayın.

Yarış direksiyonunun kalibrasyonu tamamlandığında ve oyun başlatıldığında pedallar, bir kaç basma sonunda otomatik olarak kalibre edilirler.



**UYARI:**

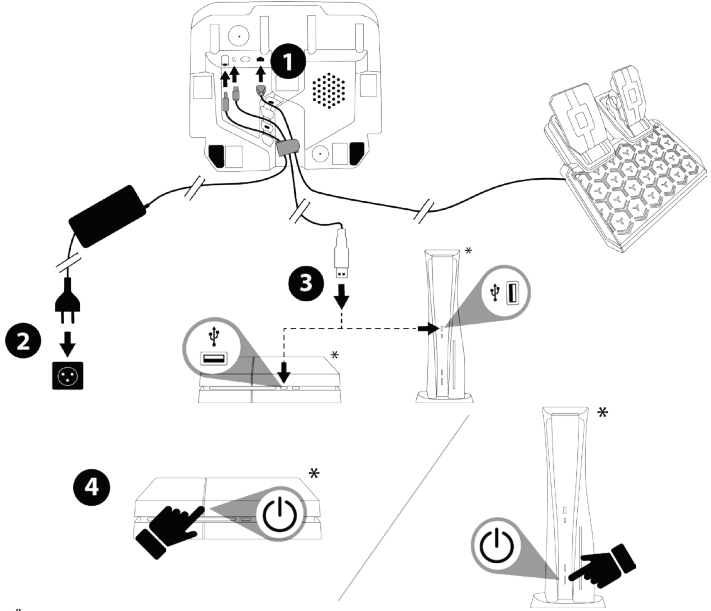
**Yarış direksiyonunun otomatik kalibrasyonu aşamasında  
veya oyun yüklenirken asla pedallara basmayın!**  
*(Hatalı kalibrasyona neden olabilir)*

**Yarış direksiyonu ve/veya pedal seti düzgün çalışmıyorsa veya düzgün kalibre edilmemiş gibi gözüküyorsa:**

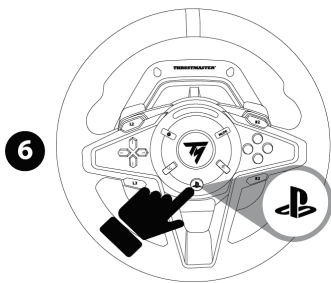
- Konsolunuzu veya PC'nizi kapatın ve yarış direksiyonunuzu tamamen ayırın. Tüm kabloları (elektrik kablosu ve pedal seti dahil) tekrar bağlayın, ardından konsolunuzu (veya PC'nizi) ve oyununuzu yeniden başlatın.
- Bu kullanma kılavuzunun ilerleyen sayfalarında (sayfa 15) belirtilen işlemi kullanarak pedal setini yeniden **varsayılan** moda ayarlayın (sayfa 16).

## PLAYSTATION®4 KONSOLLARI VEYA PLAYSTATION®5 KONSOLLARINDA KURULUM

1. T2PM pedal setini tabanın RJ12 konektörüne (23) bağlayın.
2. Güç kablosunu ve güç adaptörünü elektrik prizine takın.
3. USB-C kablosunu (17a) tabanın USB-C portuna (21) bağlayın.  
USB-A kablosunu (17b) PS4™ konsolu veya PS5™ konsolu üzerindeki bir USB-A portuna bağlayın.
4. PlayStation®4 konsolunuzu veya PlayStation®5 konsolunuzu açın. Yarış direksiyonu kendini otomatik olarak kalibre eder.



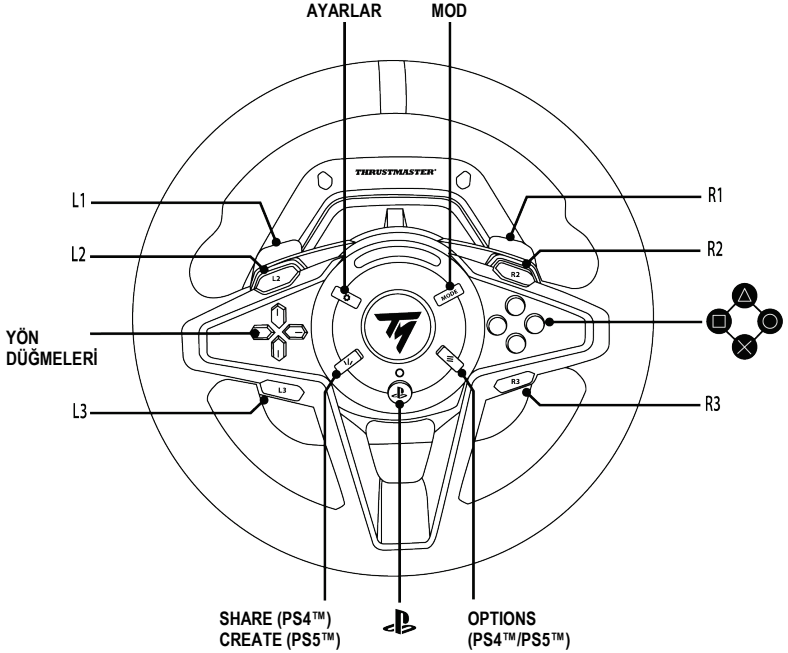
5. Gerekirse bu kullanma kılavuzunun ileriki kısımlarında (sayfa 15) belirtilen işlem aracılığıyla oynamak istediğiniz oyun MODU'nu seçin.
6. Yarış direksiyonunun PS düğmesine (**11**) basın ve yarış direksiyonunuzun çalışır hale gelmesi için PlayStation™Network hesabınıza giriş yapın.



**Artık oynamaya hazırsınız!**



# PLAYSTATION®4 KONSOLLARI VEYA PLAYSTATION®5 KONSOLLARI İÇİN EŞLEŞTİRME



## PS4™ konsolları veya PS5™ konsolları ile ilgili notlar:

- Yarış direksiyonu oyunlarda bir Thrustmaster T-GT yarış direksiyonu veya Thrustmaster Advanced Racer yarış direksiyonu olarak algılanır.

- 4 motor devri göstergesi devir LED'leri (7) Thrustmaster SDK ile uyumlu oyunlarda çalışır. Uyumlu oyunların listesi için bkz.: <https://support.thrustmaster.com> (Racing Wheels (Yarış Direksiyonları) / T128 / Games settings (Oyun ayarları) kısmında). Bu liste düzenli olarak güncellenir.

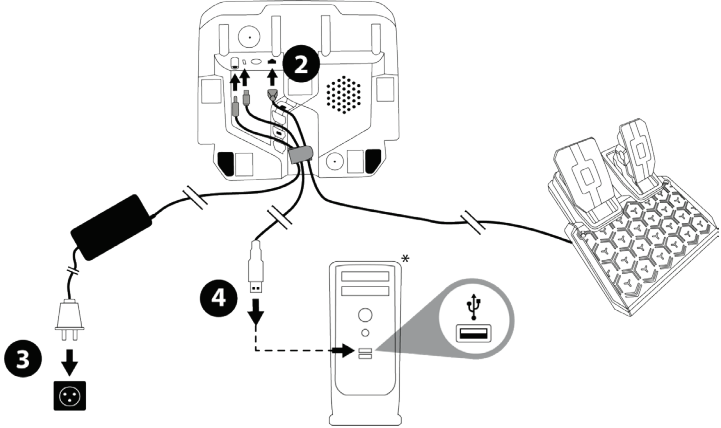
- T128 yarış direksiyonu ile uyumlu PlayStation®4 konsolları veya PlayStation®5 konsollarındaki oyunların listesi için bkz.: <https://support.thrustmaster.com> (Racing Wheels (Yarış Direksiyonları) / T128 / Games settings (Oyun ayarları) kısmında). Bu liste düzenli olarak güncellenir.

## PC'DE\* KURULUM

\*PC uyumluluğu (Windows® 10/11), Sony Interactive Entertainment tarafından test edilmemiş veya tasdik edilmemiştir.

1. PC içi sürücüler ve Force Feedback yazılımını indirmek için <https://support.thrustmaster.com> adresini ziyaret edin. **Racing Wheels** (Yarış Direksiyonları) / **T128 / Drivers** a (Sürücüler) tıklayın.
2. T2PM pedal setini tabanın RJ12 konektörüne (23) bağlayın.
3. Güç kablosunu ve güç adaptörünü elektrik prizine takın.
4. USB-C kablosunu (17a) tabanın USB-C portuna (21) bağlayın.
5. USB-A kablosunu (17b) PC'nizdeki bir USB-A portuna bağlayın.

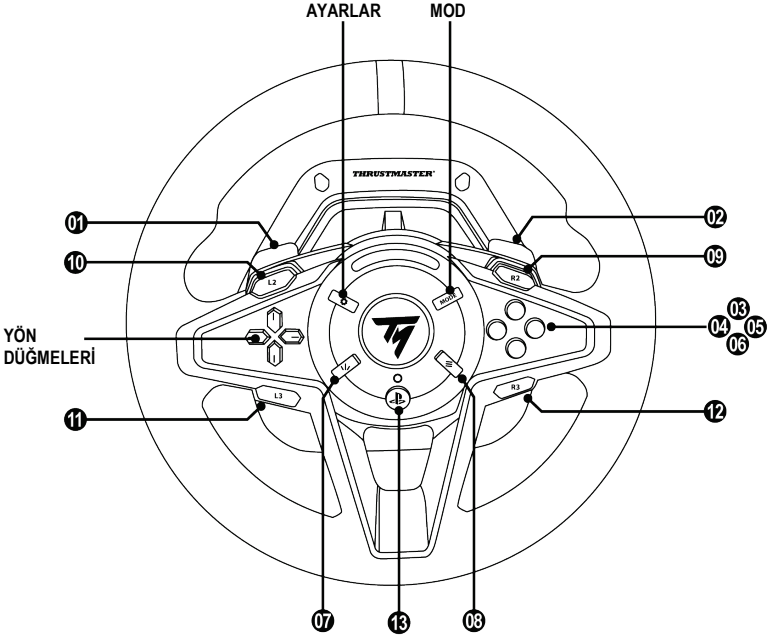
Yarış direksiyonu kendini otomatik olarak kalibre eder.



6. **Başlat / Thrustmaster / FFB Yarış Direksiyonu / Denetim Masası**'nı seçerek **Oyun Kumandaları** penceresini açın. **Oyun Kumandaları** penceresi, yarış direksiyonunun adını **Thrustmaster Advanced Mode Racer Tamam** durumunda gösterir.
7. T128 kontrol panelinde yarış direksiyonunuzu ayarlamak için **Özellikler**'e tıklayın:

- **Test Device** sekmesi: PC oyunlarında eylem düğmelerini, yön düğmelerini, direksiyon ve pedal seti eksenlerini test etmenizi ve görüntülemenizi, direksiyonun dönüş açısını ayarlamanızı sağlar.
- **Test Forces** sekmesi: 12 Force Feedback efektini test etmenizi sağlar.
- **Adjust Forces** sekmesi: PC oyunlarınızda Force Feedback efektlerinin gücünü ayarlamanızı sağlar.

# PC İÇİN EŞLEŞTİRME



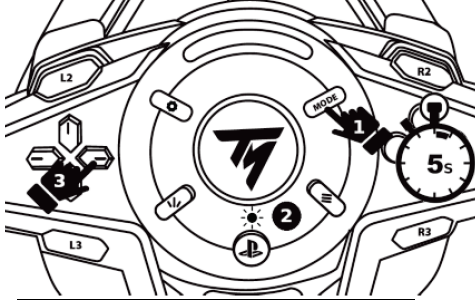
## PC ile ilgili notlar:


- Denetim Masasında ve oyunlarda yarış direksiyonu **Thrustmaster Advanced Mode Racer** adı ile algılanır.
- Oyununuzu başlatmadan önce **Tamam'a** tıklayarak **Oyun Kumandaları** penceresini tamamen kapatmayı kesinlikle unutmayın.
- **Oyun Kumandaları** penceresinde yapılan ayarlar ve ayarlamalar sadece PC'nize kaydedilir (ve bu nedenle PS4™ konsolları veya PS5™ konsollarında etkisi olmaz).
- Yarış direksiyonunuzun donanım yazılımı sürümü T128 kontrol paneli sekmelerinin sağ üst kısmında gösterilir.
- 4 motor devri göstergesi devir LED'leri (7) Thrustmaster SDK ile uyumlu PC oyunlarında çalışır. Uyumlu oyunların listesi için bkz.: <https://support.thrustmaster.com> (**Racing Wheels** (Yarış Direksiyonları) / **T128** / **Games settings** (Oyun ayarları) kısmında). Bu liste düzenli olarak güncellenir.

## OYUN MODUNU SEÇME

### İşlem:

1. PS düğmesinin üzerinde bulunan LED (10) yanıp sönmeye başlayana kadar MODE düğmesine (8) basın ve basılı tutun.
2. MODE düğmesini (8) bırakmadan eş zamanlı olarak sağ yön düğmesine (4) basarak istediğiniz oyun modunu seçin.



LED RENGİ 	OYUN MODU
MAVİ	PLAYSTATION® STANDART UYUMLULUK (varsayılan mod)
KIRMIZI	PLAYSTATION® GELECEK UYUMLULUK
YEŞİL	PC

Oyun modu seçildiğinde düğmeleri bırakın: Seçiminiz yarış direksiyonunun dahili belleğine kaydedilir. Yarış direksiyon yeniden başlar ve otomatik kalibrasyon yapar.

### Notlar:

- PlayStation®4 konsolları ve PlayStation®5 konsollarında: Kendiliğinden kalibrasyondan sonra T128 yarış direksiyonunun çalışır hale gelmesi için PS düğmesine (11) basın ve PlayStation™Network hesabınıza giriş yapın.
- PlayStation®4 konsolu, PlayStation®5 konsolu ve T128 uyumlu oyunların listesi (ve ilgili oyun MODU) şu adreste mevcuttur: <https://support.thrustmaster.com> (Racing Wheels (Yarış Direksiyonları) / T128 / Games settings (Oyun ayarları) kısmında). Bu liste düzenli olarak güncellenir.

## PEDAL SETİ MODU

(Yarış direksiyonu her yeniden başlatıldığında görüntülenir)

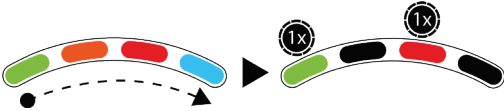


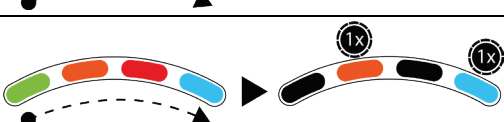
Yarış direksiyonu her yeniden başlatıldığında (ve otomatik kalibrasyondan sonra) 4 devir LED'i (7), pedal setinizin ayarlı olduğu modu (pozisyon ve tip) gösterir.

### Pozisyon:

- **NORMAL:** varsayılan pozisyon;
- veya **DEĞİŞTİRİLMİŞ:** bu pozisyonda gaz ve debriyaj pedalları değiştirilir — bu pozisyon sadece 3 pedallı pedal seti ile mümkündür.

### Tip:

- Load Cell teknolojisiz **T2PM-T3PA-T3PM:** varsayılan tip;
- veya Load Cell teknolojili **T-LCM.**

PEDAL SETİ MODU	DEVİR LED'LERİNİN (7) YANIP SÖNMESİ
<b>VARSAYILAN MOD</b> - NORMAL pozisyon - T2PM-T3PA-T3PM tipi	<b>VARSAYILAN MOD</b> 
- NORMAL pozisyon - T-LCM tipi	
- DEĞİŞTİRİLMİŞ pozisyon - T2PM-T3PA-T3PM tipi	
- DEĞİŞTİRİLMİŞ pozisyon - T-LCM tipi	

## VARSAYILAN MODDA PEDAL SETİNİ YENİDEN AYARLAMA (Pedal setiniz düzgün çalışmıyorsa yapılmalıdır)

İşlem:

- AYARLAR düğmesine (6) 8 kez HIZLI HIZLI basın.



4 DEVİR LED'i (7) aynı anda 5 kez yanıp sönerek varsayılan moda yeniden ayarlamayı gösterir.



EN

FR

DE

NL

IT

ES

PT

RU

CS

TR

PL

日本語

繁體中文

한국어

العربية

## PEDALLARIN POZİSYONUNU DEĞİŞTİRME (3 pedallı pedal seti kullanıyorsanız)

T128 yarış direksiyonu normalde 2 pedallı T2PM pedal seti ile birlikte gelir. Bu yarış direksiyonu, Thrustmaster T3PA, T3PM ve T-LCM 3 pedallı pedal setleri (ayrı olarak satılır) ile de uyumludur.

3 pedallı pedal seti kullanıyorsanız gaz ve debriyaj pedallarını elektronik olarak değiştirmek mümkündür.

İşlem:

- **AYARLAR** düğmesine (6) basıp 5 saniye basılı tutun.



Pedalların değiştirilmesi yarış direksiyonunun dahili belleğine anında kaydedilir ve 4 RPM LED'inden (7) biri 3 kez yanıp sönerek seçili pozisyonu gösterir.

GAZ VE DEBRİYAJ PEDALLARI	DEVİR LED'LERİNİN (7) YANIP SÖNMESİ
<b>VARSAYILAN MOD</b> - NORMAL pozisyon	A diagram of the pedal set with the first LED lit green. A circular icon with '3x' is shown above the LED.
- DEĞİŞTİRİLMİŞ pozisyon	A diagram of the pedal set with the second LED lit orange. A circular icon with '3x' is shown above the LED.

# PEDAL SETİNİ T2PM-T3PA-T3PM TİPİNDEN T-LCM TİPİNE MANÜEL OLARAK DEĞİŞTİRME (ve tersi yönde)

Varsayılan olarak pedal seti modu, **T2PM-T3PA-T3PM** tipidir.

Bu mod yarış direksiyonu tabanının dahili belleğine kayıtlıdır ve RJ12 portuna bir T-LCM pedal seti bağlamanız veya modu manüel olarak değiştirmeniz dışında her zaman devrede kalır.

İşlem:

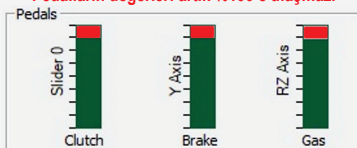
- **AYARLAR** düğmesine (6) ve **sol vites kulaklığına** (-) aynı anda basın ve **5 saniye** basılı tutun.



MOD	DEVİR LED'LERİNİN (7) YANIP SÖNMESİ
<b>VARSAYILAN MOD</b> - T2PM-T3PA-T3PM tipi	
- T-LCM tipi	



**T-LCM tipi ile T2PM, T3PA ve T3PM pedal setleri düzgün çalışmaz.  
Pedalların değerleri artık %100'e ulaşmaz.**



**Tekrar düzgün çalışmaları (ve %100'e ulaşmaları) için yarış direksiyonu tabanının modunu manüel olarak T2PM-T3PA-T3PM tipine değiştirmeniz gerekmektedir.**



## YARIŞ DİREKSİYONU ÜZERİNDEN DÖNÜŞ AÇISINI MANÜEL DEĞİŞTİRME (sadece dönüş açısının otomatik olarak ayarlanmadığı oyunlarda mümkündür)

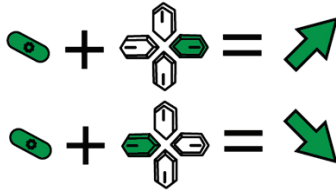
T128 yarış direksiyonu 270° ile 900° arasında ayarlanabilen bir dönüş açısına sahiptir.

Pek çok oyunda yarış direksiyonunun dönüş açısı otomatiktir ve kullanılan arabaya göre kendi kendine ayarlanır. Bu oyunlarda bu fonksiyon kullanıcı tarafından değil oyun tarafından yönetildiğinden dönüş açısını manüel olarak değiştirmek mümkün değildir.

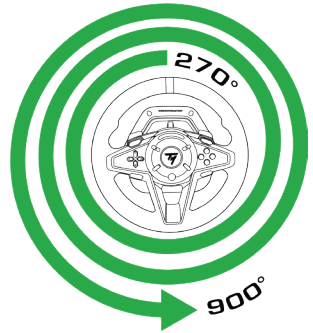
Diğer oyunlarda dönüş açısını doğrudan yarış direksiyonu üzerinden manüel olarak değiştirmek mümkündür.

### İşlem:

- Dönüş açısını bir kademe **artırmak** için **AYARLAR** düğmesine (6) ve **sağ yön** düğmesine (4) aynı anda basın; veya
- Dönüş açısını bir kademe **azaltmak** için **AYARLAR** düğmesine (6) ve **sol yön** düğmesine (4) aynı anda basın.



4 olası seviye	
Seçili dönüş açısı	DEVİR LED'leri (7)
270°	
360°	
540°	
900°	



**Lütfen unutmayın:** Yarış direksiyonu üzerinden manüel olarak değiştirilen dönüş açısı, kalıcı olarak kaydedilmez. Bu işlem oyun veya yarış direksiyonu her yeniden başlatıldığında gerçekleştirilmelidir.

## AYARLAR (6) DÜĞMESİ İLE İLGİLİ DİĞER FONKSİYONLAR

Lütfen <https://support.thrustmaster.com> adresini ziyaret edin.

**Racing Wheels** (Yarış Direksiyonları) / **T128** ve ardından **Manual** (Kılavuz) veya **FAQ** (SSS) ögesine tıklayın.

## YARIŞ DİREKSİYONUNUN DONANIM YAZILIMINI GÜNCELLEME

Lütfen <https://support.thrustmaster.com> adresini ziyaret edin.

**Racing Wheels** (Yarış Direksiyonları) / **T128** / **Firmware** (Donanım Yazılımı) ögesine tıklayın ve talimatları takip edin.

## ÇEŞİTLİ İPUÇLARI VE SSS

Lütfen <https://support.thrustmaster.com> adresini ziyaret edin.

**Racing Wheels** (Yarış Direksiyonları) / **T128** ve ardından **Manual** (Kılavuz) veya **FAQ** (SSS) ögesine tıklayın.

EN

FR

DE

NL

IT

ES

PT

RU

CS

TR

PL

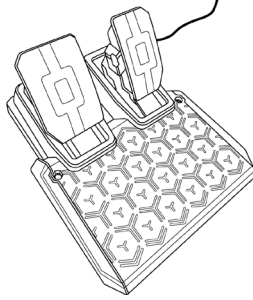
日本語

繁體中文

한국어

العربية

# T2PM PEDAL SETİ



## UYARI

Bu ürünü kullanmadan önce lütfen bu kılavuzu dikkatlice okuyun ve daha sonra başurma ihtiyacı duymanız halinde kullanmak üzere güvenli bir yerde saklayın.



Güvenlik nedeniyle pedal setini asla çıplak ayaklarla veya ayağınıza sadece çorap giyerek kullanmayın.  
**THRUSTMASTER® PEDAL SETİNİN AYAKKABISIZ KULLANILMASINDAN KAYNAKLANAN YARALANMALARDA HİÇBİR SORUMLULUK KABUL ETMEZ.**



### **Uyarı – Oynarken pedal seti sıkıştırma tehlikesi**

- \* Pedal setini çocukların ulaşabileceği yerlerden uzak tutun.
- \* Oyun oynarken parmaklarınızı asla pedalların yanlarına veya yakın yerlere koymayın.
- \* Oyun oynarken parmaklarınızı asla pedalların arka tabanı üzerine veya yakın yerlere koymayın.
- \* Oyun oynarken parmaklarınızı asla pedalların ön tabanı üzerine veya yakın yerlere koymayın.

ASLA



ASLA



ASLA

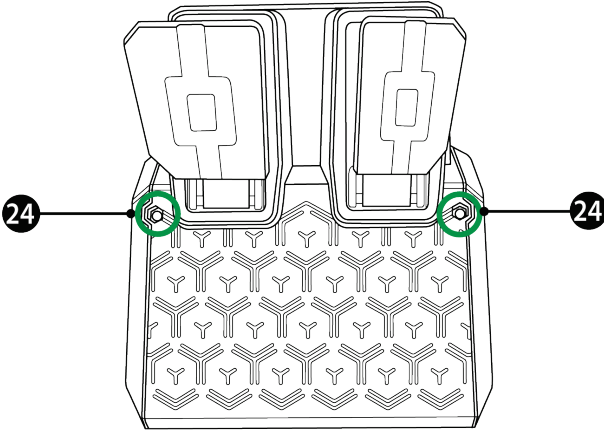


### **Uyarı – Oynamıyorken pedal seti sıkıştırma tehlikesi**

- \* Pedal setini güvenli ve çocukların ulaşamayacağı bir yerde saklayın.

## PEDAL SETİNİ BİR DESTEK VEYA KOKPİTE MONTE ETME

Pedal seti, farklı bir çok desteğe (ayrı olarak satılır) pedal setinin her iki tarafında bulunan iki delik (24) kullanılarak monte edilebilir.



**Yarış direksiyonu ve/veya pedal seti düzgün çalışmıyorsa veya düzgün kalibre edilmemiş gibi gözüküyorsa:**

Konsolunuzu veya PC'nizi kapatın ve yarış direksiyonunuzu tamamen ayırın. Tüm kabloları (elektrik kablosu ve pedal seti dahil) tekrar bağlayın, ardından konsolunuzu (veya PC'nizi) ve oyununuzu yeniden başlatın.

## TÜKETİCİ GARANTİ BİLGİSİ

İşbu Thrustmaster ürünü, malzeme ve işçilik hatalarına karşı, müşterinin kusurlu ürünün ücretinin iade edilmesi veya değiştirilmesi talebinde bulunabileceği süreye karşılık gelen garanti süresince dünya çapında tescil edilmiş merkezi Place du Granier, B.P. 97143, 35571 Chantepie, Fransa'da bulunan Guillemot Corporation S.A. (bundan sonra "Guillemot" olarak ifade edilecektir) garantisini altındadır. Avrupa Birliği ülkelerinde bu süre, Thrustmaster ürününün tesliminden itibaren iki (2) seneye karşılık gelir. Diğer ülkelerde garanti süresi, Thrustmaster ürünü ile ilgili olarak, Thrustmaster ürününün satın alındığı tarihte müşterinin ikamet ettiği ülkede geçerli yasalara uygun şekilde, müşterinin kusurlu ürünün ücretinin iade edilmesi veya değiştirilmesi talebinde bulunabileceği süreye karşılık gelir (İlgili ülkede bu tür bir düzenleme mevcut değilse garanti süresi Thrustmaster ürününün satın alındığı asıl tarihten itibaren bir (1) yıl olacaktır).

Garanti süresi içinde üründe hata veya kusur tespit edilmesi durumunda derhal izlenecek yöntem ile ilgili size bilgi verecek olan Teknik Destek servisimize başvurun. Hata veya kusur onaylanırsa ürünün satın alındığı yere (ya da Teknik Destek servisi tarafından belirtilen yere) iade edilmesi gerekmektedir.

İşbu garanti kapsamında müşterinin kusurlu ürünü, Teknik Destek servisinin inisiyatifine bağlı olarak, değiştirilecek veya çalışır hale getirilecektir. Garanti süresince Thrustmaster ürününün onarım işlemine tabi tutulması durumunda, ürünün kullanım dışı olduğu en az yedi (7) günlük tüm süreler kalan garanti süresine eklenecektir (bu süre, ürünün onarılması için hazır bulundurulduğu tarih müdahale edilmesi için talepte bulunduğu tarihi takip ediyor ise müşterinin müdahale edilmesi için talepte bulunduğu tarihten veya bahse konu ürünün onarılması için hazır bulundurulduğu tarihten başlar). Yürürlükte olan yasaların izin verdiği durumlarda, Guillemot ve bağlılarının tüm sorumluluğu (dolaylı hasarlar da dahil olmak üzere) Thrustmaster ürününün çalışır hale getirilmesi veya değiştirilmesi ile sınırlıdır. Yürürlükte olan yasaların izin vermesi halinde Guillemot, ticarete elverişlilik veya belirli bir amaca uygunluk ile ilgili tüm garantileri reddeder.

İşbu garanti aşağıdaki durumlar için geçerli değildir: (1) Ürün modifiye edilmişse, açılmışsa, üzerinde değişiklik yapılmışsa, uygunsuz veya kötü kullanım, ihmâl, kaza, normal aşınma ya da malzeme veya üretim hatası ile ilgili olmayan nedenlerden dolayı hasar görmüşse (ancak bununla sınırlı kalmamak üzere, Thrustmaster ürününü herhangi uygun bir elemanla birleştirmek, buna dahil olarak özellikle güç kaynakları, yeniden doldurulabilir piller, şarj cihazları veya bu ürün için Guillemot tarafından tedarik edilmemiş tüm diğer elemanlar); (2) ürün, evde kullanım dışında, profesyonel veya ticari maksatlı olanlar da dahil olmak üzere (örneğin oyun salonları, eğitim, yarışlar) başka maksatlarla kullanılmışsa; (3) Teknik Destek servisi tarafından sağlanan talimatlara uyulmamışsa; (4) yazılım için, işbu garanti geçerli değildir, söz konusu yazılım için sağlanan özel garanti hükümlerine tabidir; (5) sarf malzemeleri için (ürünün kullanım süresi içinde değiştirilecek elemanlar: örneğin; tek kullanımlık piller, kulaklık yastıkları); (6) aksesuarlar için (örneğin; kablolar, kılıflar, cepler, çantalar, bileklikler); (7) ürün açık artırma ile satılmışsa.

Bu garanti devrolunamaz.

Tüketim mallarının tüketicinin ülkesinde satışına ilişkin tüketicinin yasal hakları işbu garantiden etkilenmemektedir.

## Ek garanti hükümleri

Garanti süresince, tüm Thrustmaster ürünlerini açmaya ve/veya onarmaya yetkili tek taraf Teknik Destek Servisi olduğundan prensip olarak Guillemot tarafından hiçbir yedek parça sağlanmayacaktır (Uygulanabilir olması durumunda yazılı talimatlarla ve müşteriye gerekli yedek parça(lar) sağlanarak Teknik Destek Servisinin müşteri tarafından yapılmasını isteyebileceği tüm onarım prosedürleri hariç – örneğin onarım işleminin basit olmasından ve gizlilik içermemesinden dolayı).

İnovasyon döngülerini dikkate almak ve bilgi birikimi ile ticari sınırlarını korumak için Guillemot, prensip olarak garanti süresi dolmuş hiç bir Thrustmaster ürünü için onarım bilgisi veya yedek parça sağlamayacaktır.

## Sorumluluk

Yürürlükte olan yasaların izin vermesi halinde, Guillemot Corporation S.A. (bundan sonra "Guillemot" olarak ifade edilecektir) ve bağılıları aşağıdakilerin biri veya daha fazlasından kaynaklanan her türlü hasara karşı tüm sorumluluğu reddeder: (1) Ürün modifiye edilmişse, açılmışsa, üzerinde değişiklik yapılmışsa; (2) montaj talimatlarına uyulmamışsa; (3) uygunsuz veya kötü kullanım, ihmal, kaza (örneğin bir darbe); (4) normal aşınma; (5) ürünün, evde kullanım dışında, profesyonel veya ticari maksatlı olanlar da dahil olmak üzere (örneğin oyun salonları, eğitim, yarışlar) başka maksatlarla kullanılması. Yürürlükte olan yasaların izin vermesi halinde, Guillemot ve bağılıları ürünle ilgili malzeme veya üretim hatası ile ilgili olmayan her türlü hasara karşı tüm sorumluluğu reddeder (ancak bununla sınırlı kalmamak üzere, herhangi bir yazılımdan veya Thrustmaster ürününün herhangi bir uygun olmayan elemanla birleştirilmesinden doğrudan veya dolaylı olarak kaynaklanan tüm hasarlar, buna dahil olarak özellikle güç kaynakları, yeniden doldurulabilir piller, şarj cihazları veya bu ürün için Guillemot tarafından tedarik edilmemiş tüm diğer elemanlar).

**THRUSTMASTER®**

**TEKNİK DESTEK**

<https://support.thrustmaster.com>



## TELİF HAKKI

©2022 Guillemot Corporation S.A. Tüm hakları saklıdır. Thrustmaster®, Guillemot Corporation S.A.'nin tescilli ticari markasıdır. Guillemot Corporation S.A. tarafından üretilmekte ve dağıtılmaktadır. Diğer tüm ticari markalar ile marka adları işbu belgede tanınmış olup ilgili sahiplerine aittir. İçindekiler, tasarım ve teknik özellikler önceden haber vermeksizin değiştirilebilir ve ülkeden ülkeye farklılık gösterebilir. Fotoğraflar ve resimler bağlayıcı değildir. Kuzey Amerika ve Avrupa'da tasarlanmıştır, Çin'de üretilmiştir.

Sadece PlayStation®5 konsolları ve PlayStation®4 konsolları ile kullanım içindir.

"PS", "PlayStation", "PSS", "PS4" ve "PlayStation Shapes Logo", Sony Interactive Entertainment Inc.'in ticari veya tescilli ticari markalarıdır. Tüm hakları saklıdır. Diğer tüm ticari markalar ilgili sahiplerine aittir. Sony Interactive Entertainment LLC lisansı ile üretilmekte ve dağıtılmaktadır.

## ÇEVRE KORUMA ÖNERİLERİ



\* Avrupa Birliği, İngiltere ve Türkiye'de: Cihazın kullanım ömrü sona erdiğinde, standart ev atıkları ile atılmamalı, geri dönüşüm için Atık Elektrikli ve Elektronik Cihazların toplandığı bir yere bırakılmalıdır.

Bu, ürünün, kullanım kılavuzunun veya paketin üzerinde bulunan sembol ile onaylanmıştır.

Özelliklerine bağlı olarak malzemeler geri dönüştürülebilir. Atık Elektrik ve Elektronik Cihazların geri dönüşümü veya diğer işleme yöntemleri sayesinde çevrenin korunmasına yönelik önemli bir katkıda bulunabilirsiniz. Size en yakın toplama merkezleri hakkında bilgi almak için lütfen yerel yetkililerle iletişime geçin.

Diğer ülkeler için: Lütfen elektrikli ve elektronik cihazların geri dönüşümü için yerel yasalara uyunuz

## AEEE Yönetmeliğine Uygundur.

Bu belgeyi saklayın. Renkler ve süslemeler değişiklik gösterebilir.  
Plastik tutturucular ve bantlar, kullanmadan önce üründen çıkarılmalıdır.

[www.thrustmaster.com](http://www.thrustmaster.com)

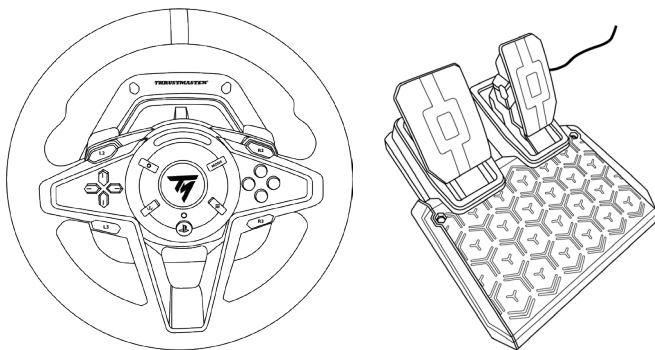
\*Sadece AB, İngiltere ve Türkiye için geçerlidir



# T128

Dla konsol PlayStation®5, konsol PlayStation®4 i komputerów PC\*

Instrukcja obsługi



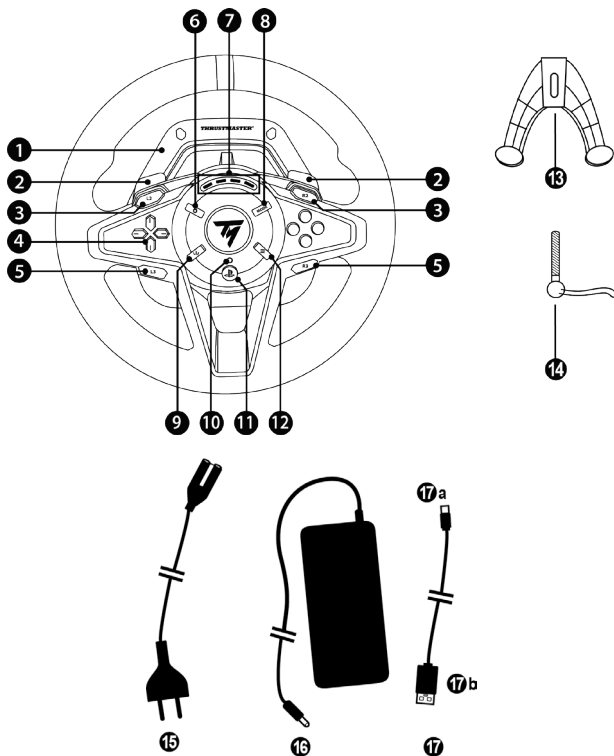
## OSTRZEŻENIE:

Aby zapewnić prawidłowe działanie kierownicy T128 z grami na konsole PlayStation®5, konsole PlayStation®4 lub komputery PC, może być wymagana instalacja automatycznych aktualizacji gry (możliwa, gdy konsola lub komputer PC są połączone z Internetem).

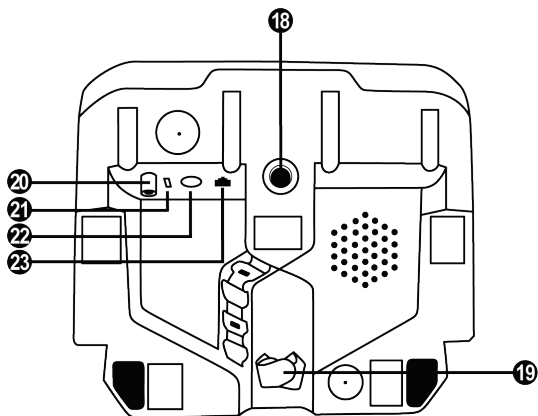
\*Zgodność z komputerem PC (Windows® 10/11) nie została przetestowana ani nie jest wspierana przez firmę Sony Interactive Entertainment.



# ELEMENTY



- |   |  |
|---|--|
| 1 Podstawa T128   | 10 Diody trybu gry (niebieska, czerwona lub zielona)   |
| 2 2 magnetyczne łopatkki zmiany biegów (- i +)                          | 11 Przycisk PS   |
| 3 Przyciski L2 i R2   | 12 Przycisk OPTIONS na konsolach PS4™ i konsolach PS5™ |
| 4 Przyciski kierunkowe  | 13 Element montażowy                                   |
| 5 Przyciski L3 i R3   | 14 Metalowa śruba mocująca                             |
| 6 Przycisk USTAWIENIA   | 15 Kabel zasilania (UE/USA/Wik. Brytania...)           |
| 7 4 diody obrotomierza (wyświetlacz prędkości obrotowej silnika)        | 16 Zasilacz  |
| 8 Przycisk MODE   | 17 Kabel USB: USB-C (17a) – USB-A (17b)                |
| 9 Przycisk SHARE na konsolach PS4™<br>Przycisk CREATE na konsolach PS5™ |  |



**18** Duży gwintowany otwór (na element montażowy i śrubę mocującą)

**19** Uchwyt kablowy z rzepem

**20** Złącze zasilacza

**21** Złącze USB-C kierownicy

**22** Złącze mini-DIN na skrzynię biegów, hamulec ręczny lub koncentrator połączeniowy Thrustmaster (do nabycia osobno)

**23** Złącze RJ12 na zestaw pedałów

# OSTRZEŻENIE

Zanim rozpoczniesz korzystanie z urządzenia, szczegółowo zapoznaj się z tą instrukcją, a następnie zachowaj ją do wglądu.



## Ostrzeżenie — ryzyko porażenia prądem elektrycznym

- \* Przechowuj urządzenie w suchym miejscu i nie wystawiaj go na działanie kurzu ani światła słonecznego.
- \* Nie skracaj ani nie naciągaj złączy ani kabli.
- \* Nie wylewaj cieczy na urządzenie ani jego złącza.
- \* Nie zwieraj urządzenia.
- \* Nie demontuj urządzenia, nie wrzucaj go do ognia ani nie narażaj na działanie wysokich temperatur.
- \* Nie używaj kabla zasilania innego niż dostarczony z kierownicą.
- \* Nie używaj kabla zasilania, jeśli sam kabel lub jego złącza są uszkodzone, pęknięte lub przerwane.
- \* Upewnij się, że kabel zasilania jest właściwie podłączony do gniazda elektrycznego i do złącza znajdującego się z tyłu podstawy kierownicy.
- \* Nie otwieraj kierownicy: w jej wnętrzu nie ma części przeznaczonych do naprawiania przez użytkownika. Naprawy może wykonywać wyłącznie producent, jego autoryzowany przedstawiciel lub wykwalifikowany serwisant.
- \* Korzystaj wyłącznie z elementów montażowych/akcesoriów określonych przez producenta.
- \* W przypadku nietypowego działania kierownicy (na przykład gdy wydobywają się z niej dziwne dźwięki, ciepło lub zapachy) natychmiast przestań jej używać, wyciągnij kabel zasilania z gniazda elektrycznego i odłącz pozostałe kable.
- \* Jeśli nie zamierzasz korzystać z kierownicy przez dłuższy czas, wyciągnij jej kabel zasilania z gniazda elektrycznego.
- \* Gniazdo elektryczne musi znajdować się w pobliżu urządzenia i musi być łatwo dostępne.



Korzystaj wyłącznie z zasilacza wymienionego w instrukcji obsługi.

### Informacje dotyczące zasilacza

Publikowana informacja	Wartość	Jednostka
Nazwa lub znak towarowy producenta, numer jego wpisu w rejestrze handlowym i adres	<b>GUILLEMOT CORPORATION S.A.</b> 414 196 758 Rennes Place du Granier BP 97143 35571 Chantepie Cedex Francja	
Identyfikator modelu	<b>A481-1852590D</b>	
Napięcie wejściowe	<b>100–240</b>	V
Częstotliwość wejściowa prądu przemiennego (AC)	<b>50–60</b>	Hz
Napięcie wyjściowe	<b>18,5</b>	V DC
Prąd wyjściowy	<b>2,6</b>	A
Moc wyjściowa	<b>47,9</b>	W
Średnia sprawność podczas pracy	<b>87,8</b>	%
Sprawność przy niskim obciążeniu (10%)	<b>87,8</b>	%
Pobór mocy bez obciążenia	<b>0,10</b>	W



## **Odpowietzniki**

Dbaj, aby żaden z odpowiedników w podstawie kierownicy nie był zasłonięty. W celu zapewnienia optymalnej wentylacji przestrzegaj następujących zaleceń:

- \* Ustaw podstawę kierownicy w odległości co najmniej 10 cm od wszelkich ścian.
- \* Nie umieszczaj podstawy w bardzo ograniczonej przestrzeni.
- \* Nie przykrywaj podstawy.
- \* Nie dopuszczaj do gromadzenia się kurzu w odpowiednikach.



**Ze względów bezpieczeństwa nie wolno używać zestawu pedałów w bosych stopach ani w samych skarpetkach.**

**FIRMA THRUSTMASTER® NIE PONOSI ŻADNEJ ODPOWIEDZIALNOŚCI ZA EWENTUALNE OBRAŻENIA CIAŁA WYNIKŁE Z UŻYWANIA ZESTAWU PEDAŁÓW BEZ OBUWIA.**



## **Ostrzeżenie — ryzyko obrażeń ciała spowodowanych siłowym sprzężeniem zwrotnym i powtarzającymi się ruchami**

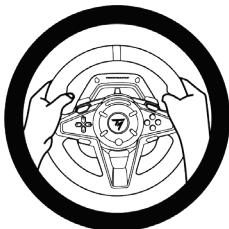
Granie przy użyciu kierownicy z siłowym sprzężeniem zwrotnym może doprowadzić do bólu mięśni lub stawów. W celu uniknięcia problemów:

- \* Unikaj grania przez długi czas.
- \* Po każdej godzinie gry rób 10–15 minut przerwy.
- \* Jeśli odczuwasz zmęczenie lub ból dłoni, nadgarstków, ramion, stóp albo nóg, przerwij grę, a przed jej ponownym rozpoczęciem odpocznij kilka godzin.
- \* Jeśli po ponownym rozpoczęciu gry opisane objawy lub ból powrócą, przerwij grę i skonsultuj się z lekarzem.
- \* Trzymaj kierownicę z dala od dzieci.
- \* Podczas gry zawsze trzymaj obie dłonie we właściwym położeniu na kierownicy, nie puszczając jej całkowicie.
- \* Podczas gry nigdy nie umieszczaj dłoni ani palców pod pedałami ani w pobliżu zestawu pedałów.
- \* Podczas kalibracji i gry nigdy nie przekładaj dłoni ani ramion przez otwory w kierownicy.
- \* Sprawdź, czy podstawa kierownicy jest właściwie zamocowana zgodnie ze wskazówkami podanymi w niniejszej instrukcji.



Urządzenie tylko dla użytkowników, którzy ukończyli 14 lat

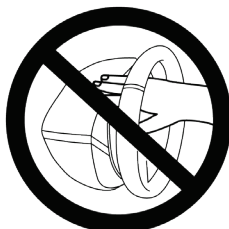
ZAWSZE



NIGDY



NIGDY



**Ostrzeżenie — ryzyko przytraśnięcia przez pedały podczas gry**

- \* Trzymaj zestaw pedałów z dala od dzieci.
- \* Podczas gry nigdy nie kładź palców na bokach pedałów ani nie zbliżaj ich do tego miejsca.
- \* Podczas gry nigdy nie kładź palców na tylnej powierzchni podstawy pedałów ani nie zbliżaj ich do tego miejsca.
- \* Podczas gry nigdy nie kładź palców na przedniej powierzchni podstawy pedałów ani nie zbliżaj ich do tego miejsca.

NIGDY



NIGDY



NIGDY



**Ostrzeżenie — ryzyko przytraśnięcia przez pedały poza grą**

- \* Przechowuj zestaw pedałów w bezpiecznym miejscu i trzymaj go z dala od dzieci.

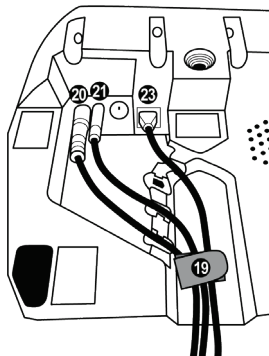
## MOCOWANIE KIEROWNICY

### Mocowanie kierownicy do stołu lub biurka

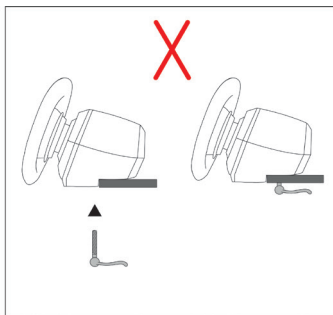
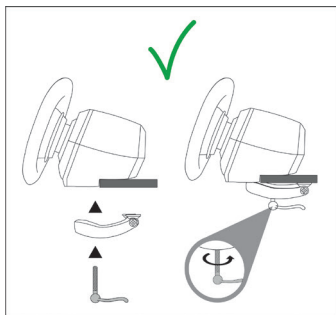
Najpierw pod kierownicą podłącz:

- zasilacz (20);
- szybkorozłączny kabel USB-C (17a) do złącza USB-C (21);
- zestaw pedałów T2PM (23).

Poprowadź poszczególne kable po właściwych ścieżkach i zamocuj je przy użyciu uchwyty kablowego z rzepem (19).



1. Połóż kierownicę na stole lub innej poziomej, płaskiej i stabilnej powierzchni.
2. Włóż śrubę mocującą (14) w element montażowy (13), a następnie zamocuj urządzenie, wkręcając śrubę przeciwnie do ruchu wskazówek zegara w duży gwintowany otwór (18) znajdujący się pod kierownicą aż do solidnego i stabilnego zamocowania kierownicy.

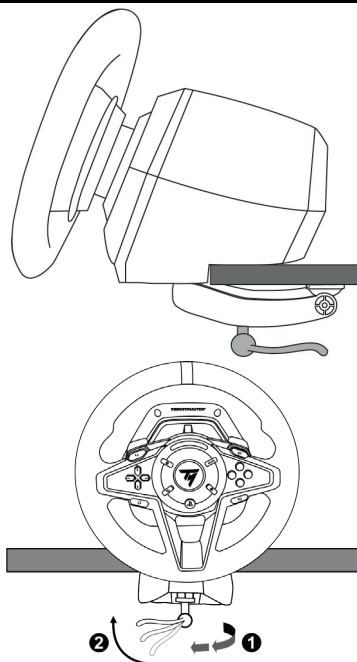


**OSTRZEŻENIE:** nie wolno wkręcać samej śruby bez elementu montażowego!  
Może to spowodować uszkodzenie kierownicy.

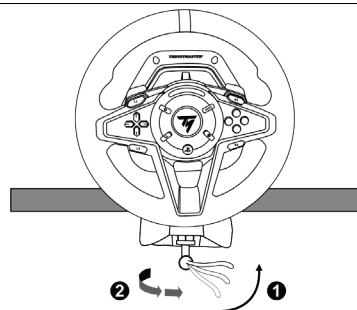
**MOCOWANIE/  
ZDEJMOWANIE**

**KIERUNEK**

**Dokręcanie:**  
  
**Obróć śrubę  
przeciwnie  
do ruchu wskazówek  
zegara**



**Odkręcanie:**  
  
**Obróć śrubę zgodnie  
z ruchem  
wskazówek zegara**



# INSTALACJA

## AUTOMATYCZNA KALIBRACJA KIEROWNICY I ZESTAWU PEDAŁÓW

Kierownica kalibruje się automatycznie po jej podłączeniu do gniazda elektrycznego oraz podłączeniu złącza USB kierownicy do konsoli PlayStation®5, konsoli PlayStation®4 lub komputera.

Podczas tej operacji kierownica obraca się szybko w lewo i w prawo (łącznie o 900 stopni), a następnie zatrzymuje w położeniu środkowym.



### **OSTRZEŻENIE:**

**Podczas automatycznej kalibracji nie wolno dotykać kierownicy!**  
*(Może to doprowadzić do błędów kalibracji i/lub obrażeń ciała).*

Nie wolno podłączać zestawu pedałów do podstawy kierownicy (ani odłączać go od podstawy), gdy kierownica jest podłączona do konsoli PlayStation® lub komputera ani w trakcie gry, ponieważ może to doprowadzić do błędów kalibracji.

Zestaw pedałów zawsze podłączaj przed podłączeniem kierownicy do do konsoli PlayStation®5, konsoli PlayStation®4 lub komputera.

Po zakończeniu kalibracji kierownicy i uruchomieniu gry pedały kalibrują się automatycznie po kilku naciśnięciach.



### **OSTRZEŻENIE:**

**Nie wolno naciskać pedałów podczas automatycznej kalibracji kierownicy ani w trakcie ładowania gry!**  
*(Może to doprowadzić do błędów kalibracji).*

**Jeśli kierownica i zestaw pedałów nie działają prawidłowo lub wydają się niewłaściwie skalibrowane:**

- Wyłącz konsolę lub komputer i całkowicie odłącz kierownicę. Następnie podłącz ponownie wszystkie kable (w tym kabel zasilania i zestaw pedałów) oraz uruchom ponownie konsolę (lub komputer) i grę.
- Przeprowadź ponowną konfigurację zestawu pedałów w trybie **domyślnym**, wykonując procedurę opisaną w dalszej części instrukcji obsługi (strona 16).

EN

FR

DE

NL

IT

ES

PT

RU

CS

TR

PL

日本語

繁體中文

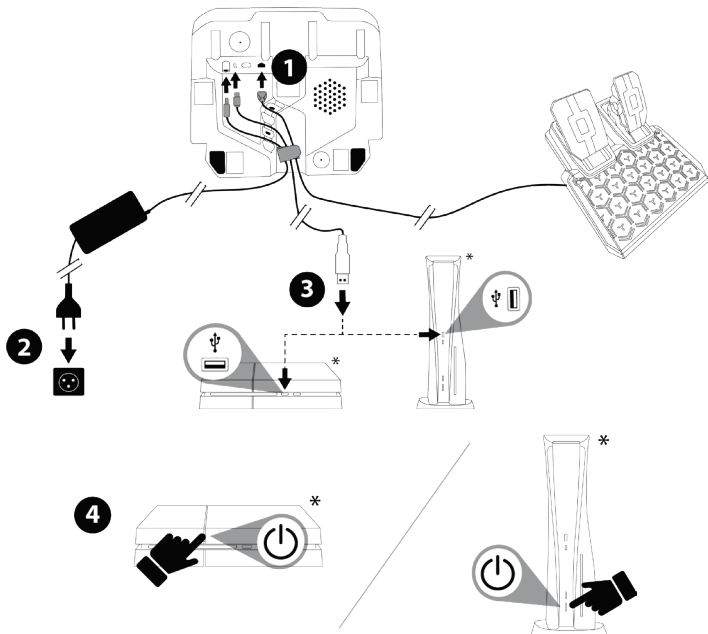
한국어

العربية



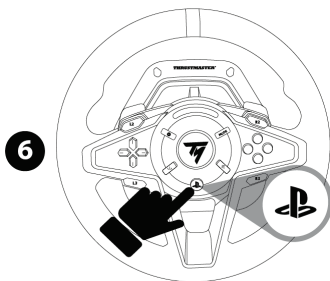
## INSTALACJA NA KONSOLI PLAYSTATION®4 LUB KONSOLI PLAYSTATION®5

1. Podłącz zestaw pedałów T2PM do złącza RJ12 (23) w podstawie.
2. Podłącz kabel zasilania i zasilacz do gniazda elektrycznego.
3. Podłącz kabel USB-C (17a) do portu USB-C (21) w podstawie.  
Podłącz kabel USB-A (17b) do portu USB-A w konsoli PS4™ lub konsoli PS5™.
4. Włącz konsolę PlayStation®4 lub konsolę PlayStation®5. Nastąpi automatyczna kalibracja kierownicy.



\*Do nabycia osobno

5. W razie potrzeby wybierz tryb gry, w którym chcesz z niej korzystać, wykonując procedurę opisaną w dalszej części instrukcji obsługi (na stronie 15).
6. Naciśnij przycisk PS (**11**) na kierownicy i zaloguj się na konto PlayStation™ Network, aby umożliwić działanie kierownicy.



**Teraz możesz zacząć grać!**

EN

FR

DE

NL

IT

ES

PT

RU

CS

TR

**PL**

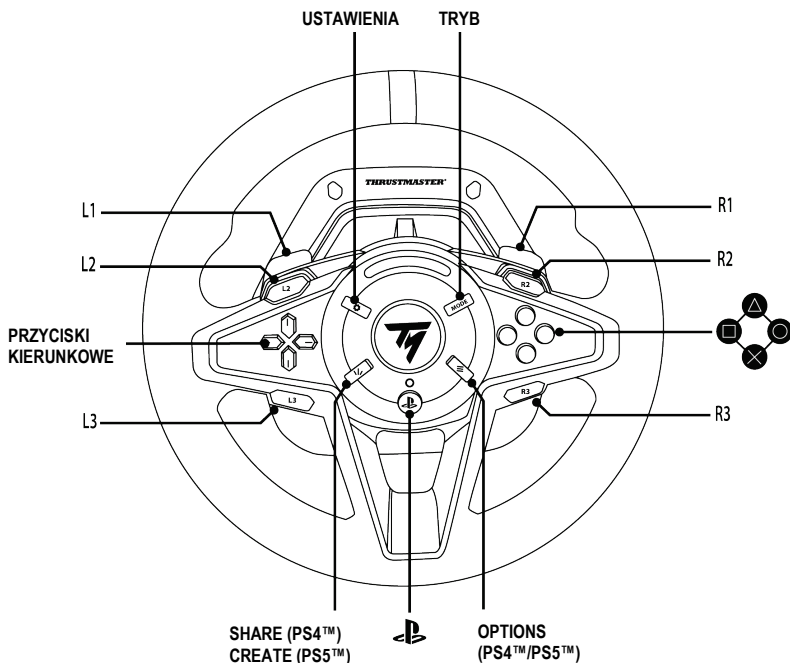
日本語

繁體中文

한국어

العربية

## MAPOWANIE NA KONSOLI PLAYSTATION®4 LUB KONSOLI PLAYSTATION®5



### Uwagi dotyczące konsol PS4™ i konsol PS5™:

– Kierownica jest rozpoznawana w grach jako kierownica wyścigowa Thrustmaster T-GT lub kierownica wyścigowa Thrustmaster Advanced Racer.

– 4 diody wskazujące prędkość obrotową silnika (7) działają w grach zgodnych z zestawem programistycznym Thrustmaster SDK. Lista zgodnych gier jest dostępna tutaj: <https://support.thrustmaster.com> (w sekcji **Racing Wheels** (Kierownice wyścigowe) / **T128** / **Games settings** (Ustawienia gier)). Lista jest regularnie aktualizowana.

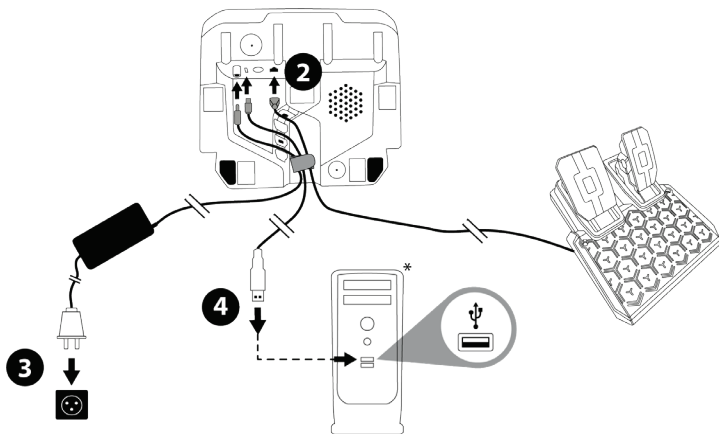
– Lista gier na konsole PlayStation®4 i konsole PlayStation®5 zgodnych z kierownicą T128 jest dostępna tutaj: <https://support.thrustmaster.com> (w sekcji **Racing Wheels** (Kierownice wyścigowe) / **T128** / **Games settings** (Ustawienia gier)). Lista jest regularnie aktualizowana.

## INSTALACJA NA KOMPUTERZE PC\*

\*Zgodność z komputerem PC (Windows® 10/11) nie została przetestowana ani nie jest wspierana przez firmę Sony Interactive Entertainment.

1. Wejdź na stronę <https://support.thrustmaster.com>, aby pobrać sterowniki i oprogramowanie silowego sprzężenia zwrotnego dla komputera PC. Kliknij **Racing Wheels** (Kierownice wyścigowe) / **T128 / Drivers** (Sterowniki).
2. Podłącz zestaw pedałów T2PM do złącza RJ12 (23) w podstawie.
3. Podłącz kabel zasilania i zasilacz do gniazda elektrycznego.
4. Podłącz kabel USB-C (17a) do portu USB-C (21) w podstawie.
5. Podłącz kabel USB-A (17b) do portu USB-A w komputerze.

Nastąpi automatyczna kalibracja kierownicy.

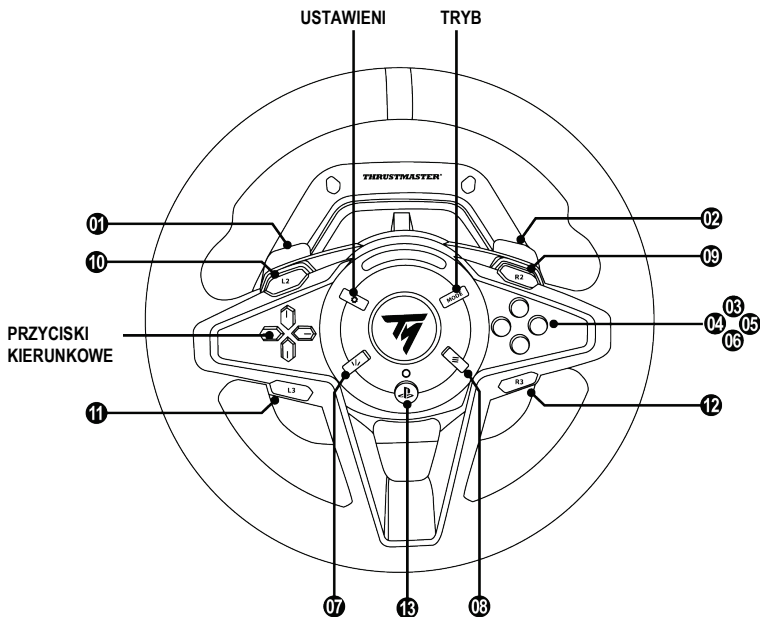


6. Wybierz **Start / Thrustmaster / FFB Racing Wheel / Panel sterowania**, aby otworzyć okno **Kontrolery gier**. W oknie **Kontrolery gier** zostanie wyświetlona nazwa kierownicy **Thrustmaster Advanced Mode Racer** ze stanem **OK**.

7. W panelu sterowania kierownicy T128 kliknij **Właściwości**, aby ją skonfigurować:

- **Karta Test Device**: umożliwia testowanie i wyświetlanie przycisków czynności, przycisków kierunkowych i osi kierownicy (a także osi zestawu pedałów) oraz regulowanie kąta obrotu kierownicy w grach na PC.
- **Karta Test Forces**: umożliwia testowanie 12 efektów silowego sprzężenia zwrotnego.
- **Karta Adjust Forces**: umożliwia regulowanie natężenia efektów silowego sprzężenia zwrotnego w grach na PC.

## MAPOWANIE NA KOMPUTERZE PC



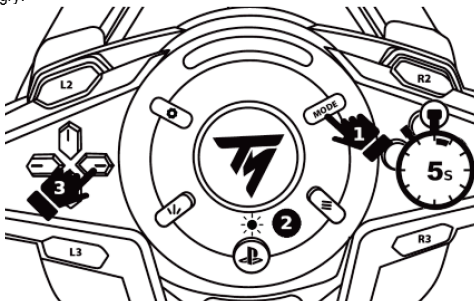
### Uwagi dotyczące komputera PC:

- W panelu sterowania i grach kierownica jest rozpoznawana pod nazwą **Thrustmaster Advanced Mode Racer**.
- Pamiętaj, aby przed uruchomieniem gry zawsze całkowicie zamknąć okno **Kontrolery gier** przez kliknięcie **OK**.
- Ustawienia i korekty wprowadzone w oknie **Kontrolery gier** są zapisywane tylko na komputerze PC (a więc nie wywołują żadnych skutków na konsolach PS4™ ani konsolach PS5™).
- Wersja oprogramowania sprzętowego kierownicy jest wyświetlana w prawej górnej sekcji kart panelu sterowania kierownicy T128.
- 4 diody wskazujące prędkość obrotową silnika (**7**) działają w grach na PC zgodnych z zestawem programistycznym Thrustmaster SDK. Lista zgodnych gier jest dostępna tutaj: <https://support.thrustmaster.com> (w sekcji **Racing Wheels** (Kierownice wyścigowe) / **T128 / Games settings** (Ustawienia gier)). Lista jest regularnie aktualizowana.

## WYBIERANIE TRYBU GRY

### Procedura:

1. Naciśnij i przytrzymaj przycisk MODE (8) przez 5 sekund, aż dioda (10) znajdująca się nad przyciskiem PS zacznie migać.
2. Nie zwalniając przycisku MODE (8), jednocześnie naciśnij prawy przycisk kierunkowy (4), aby wybrać tryb gry.



KOLOR DIODY ☀	TRYB GRY
NIEBIESKI	PLAYSTATION® ZGODNOŚĆ STANDARDOWA (tryb domyślny)
CZERWONY	PLAYSTATION® PRZYSZŁA ZGODNOŚĆ
ZIELONY	PC

Po wybraniu trybu gry zwolnij przyciski: wybrany tryb zostanie zapisany w pamięci wewnętrznej kierownicy. Nastąpi ponowne uruchomienie i automatyczna kalibracja kierownicy.

### Uwagi:

- Na konsolach PlayStation®4 i konsolach PlayStation®5: aby kierownica T128 działała po automatycznej kalibracji, naciśnij przycisk PS (11) i zaloguj się na konto PlayStation™Network.
- Lista gier zgodnych z konsolą PlayStation®4 i konsolą PlayStation®5 oraz kierownicą T128 (a także odpowiednim trybem gry) jest dostępna tutaj: <https://support.thrustmaster.com> (w sekcji **Racing Wheels** (Kierownice wyścigowe) / **T128** / **Games settings** (Ustawienia gier)). Lista jest regularnie aktualizowana.

## TRYB ZESTAWU PEDAŁÓW

(wyswietlany po każdym ponownym uruchomieniu kierownicy)

Po każdym ponownym uruchomieniu kierownicy (i po jej automatycznej kalibracji) 4 diody obrotomierza (7) wskazują tryb konfiguracji (czyli położenie i typ) zestawu pedałów.

### Położenie:

- **NORMALNE:** położenie domyślne;
- lub **ODWRÓCONE:** w tym położeniu — dostępnym wyłącznie w przypadku zestawu 3-pedałowego — pedały przyspieszenia i sprzęgła są zamienione miejscami.

### Typ:

- T2PM-T3PA-T3PM bez czujnika siły typu Load Cell: **typ domyślny**;
- lub T-LCM z czujnikiem siły typu Load Cell.

TRYB ZESTAWU PEDAŁÓW	MIGANIE DIOD OBROTOMIERZA (7)
<b>TRYB DOMYŚLNY</b> - położenie NORMALNE - typ T2PM-T3PA-T3PM	<b>TRYB DOMYŚLNY</b> 
- położenie NORMALNE - typ T-LCM	
- położenie ODWRÓCONE - typ T2PM-T3PA-T3PM	
- położenie ODWRÓCONE - typ T-LCM	

# PONOWNNA KONFIGURACJA ZESTAWU PEDAŁÓW W TRYBIE DOMYŚLNYM

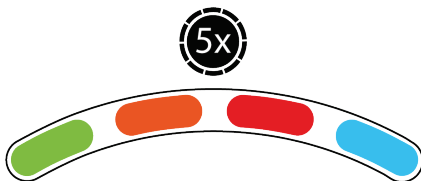
(do wykonania tylko wtedy, gdy zestaw pedałów nie działa prawidłowo)

## Procedura:

– Naciśnij przycisk **USTAWIENIA (6) SZYBKO 8 razy**.



4 diody obrotomierza (7) zamigają jednocześnie 5 razy, wskazując ponowne skonfigurowanie w trybie domyślnym.





## ODWRACANIE POŁOŻENIA PEDAŁÓW (w przypadku korzystania z 3-pedałowego zestawu pedałów)

Kierownica T128 jest standardowo dostarczana z 2-pedałowym zestawem pedałów T2PM. Jest też zgodna z 3-pedałowymi zestawami pedałów Thrustmaster T3PA, T3PM i T-LCM (do nabycia osobno).

W przypadku korzystania z 3-pedałowego zestawu pedałów można elektronicznie odwrócić położenie pedałów przyspieszenia i sprzęgła.

### Procedura:

– Naciśnij i przytrzymaj przycisk **USTAWIENIA (6)** przez **5 sekund**.



Odwrócone położenie pedałów jest natychmiast zapisywane w pamięci wewnętrznej kierownicy, a jedna z 4 diod obrotomierza (7) miga 3 razy, wskazując wybrane położenie.

PEDAŁY PRZYSPIESZENIA I SPRZĘGŁA	MIGANIE DIOD OBROTOMIERZA (7)
<b>TRYB DOMYŚLNY</b> – położenie <b>NORMALNE</b>	
– położenie <b>ODWRÓCONE</b>	

# RĘCZNE PRZEŁĄCZANIE TYPU ZESTAWU PEDAŁÓW Z T2PM-T3PA-T3PM NA T-LCM (i na odwrót)

W domyślnym trybie zestawu pedałów typ zestawu to **T2PM-T3PA-T3PM**.

Ten tryb jest zapisany w pamięci wewnętrznej podstawy kierownicy i zawsze jest aktywny — z wyjątkiem sytuacji, gdy użytkownik podłączy zestaw pedałów T-LCM do portu RJ12 lub przełączy tryb ręcznie.

## Procedura:

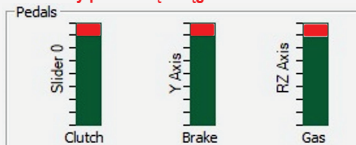
– Jednocześnie naciśnij i przytrzymaj przycisk **USTAWIENIA (6)** i lewą łopatkę zmiany biegów (-) przez **5 sekund**.



TRYB	MIGANIE DIOD OBROTOMIERZA (7)
<b>TRYB DOMYŚLNY</b> – typ T2PM-T3PA-T3PM	
– typ T-LCM	



**W przypadku typu T-LCM zestawy pedałów T2PM, T3PA i T3PM nie będą działać prawidłowo.  
Pedały przestaną osiągać wartość 100%.**



**Aby wymienione zestawy mogły znowu działać prawidłowo (i osiągać wartość 100%), należy ręcznie przełączyć tryb podstawy kierownicy na typ T2PM-T3PA-T3PM.**

## RĘCZNA ZMIANA KĄTA OBROTU PRZY UŻYCIU KIEROWNICY (możliwa tylko w grach, w których kąt obrotu nie jest ustawiany automatycznie)

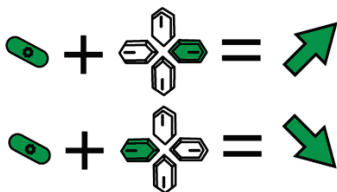
Kierownica T128 umożliwia regulowanie kąta obrotu w zakresie od 270° do 900°.

W wielu grach kąt obrotu kierownicy jest ustawiany automatycznie w zależności od używanego samochodu. W takich grach nie ma możliwości ręcznej zmiany kąta obrotu, ponieważ funkcja ta jest kontrolowana przez grę, a nie przez użytkownika.

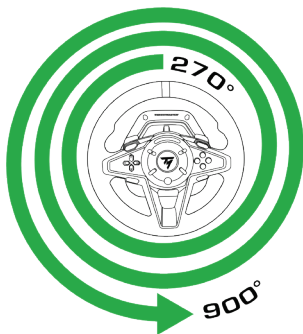
W innych grach można ręcznie zmienić kąt obrotu bezpośrednio przy użyciu kierownicy.

### Procedura:

- Jednocześnie naciśnij przycisk USTAWIENIA (6) i prawy przycisk kierunkowy (4), aby zwiększyć kąt obrotu o jeden krok; lub
- Jednocześnie naciśnij przycisk USTAWIENIA (6) i lewy przycisk kierunkowy (4), aby zmniejszyć kąt obrotu o jeden krok.



4 możliwe poziomy	
Wybrany kąt obrotu	Diody obrotomierza (7)
270°	
360°	
540°	
900°	



**Uwaga:** Ręczna zmiana kąta obrotu wprowadzona przy użyciu kierownicy nie jest zapisywana na stałe. Opisaną procedurę należy wykonać po każdym ponownym uruchomieniu gry lub kierownicy.

## INNE FUNKCJE ZWIĄZANE Z PRZYCISKIEM USTAWIEŃ (6)

Wejdź na stronę <https://support.thrustmaster.com>.

Kliknij **Racing Wheels** (Kierownice wyścigowe) / **T128**, a następnie **Manual** (Instrukcja) lub **FAQ** (Często zadawane pytania).

## AKTUALIZOWANIE OPROGRAMOWANIA SPRZĘTOWEGO KIEROWNICY

Wejdź na stronę <https://support.thrustmaster.com>.

Kliknij **Racing Wheels** (Kierownice wyścigowe) / **T128** / **Firmware** (Oprogramowanie sprzętowe) i postępuj zgodnie z instrukcjami.

## PORADY I CZĘSTO ZADAWANE PYTANIA

Wejdź na stronę <https://support.thrustmaster.com>.

Kliknij **Racing Wheels** (Kierownice wyścigowe) / **T128**, a następnie **Manual** (Instrukcja) lub **FAQ** (Często zadawane pytania).

EN

FR

DE

NL

IT

ES

PT

RU

CS

TR

**PL**

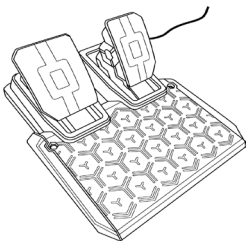
日本語

繁體中文

한국어

العربية

# ZESTAW PEDAŁÓW T2PM



## OSTRZEŻENIE

Zanim rozpoczniesz korzystanie z urządzenia, szczególnie zapoznaj się z tą instrukcją, a następnie zachowaj ją do wglądu.



Ze względów bezpieczeństwa nie wolno używać zestawu pedałów w bosych stopach ani w samych skarpetach.  
FIRMA THRUSTMASTER® NIE PONOSI ŻADNEJ ODPOWIEDZIALNOŚCI ZA EWENTUALNE OBRAŻENIA CIAŁA WYNIKŁE Z UŻYWANIA ZESTAWU PEDAŁÓW BEZ OBUWIA.



**Ostrzeżenie — ryzyko przytrzaśnięcia przez pedały podczas gry**

- \* Trzymaj zestaw pedałów z dala od dzieci.
- \* Podczas gry nigdy nie kładź palców na bokach pedałów ani nie zbliżaj ich do tego miejsca.
- \* Podczas gry nigdy nie kładź palców na tylnej powierzchni podstawy pedałów ani nie zbliżaj ich do tego miejsca.
- \* Podczas gry nigdy nie kładź palców na przedniej powierzchni podstawy pedałów ani nie zbliżaj ich do tego miejsca.

NIGDY



NIGDY



NIGDY

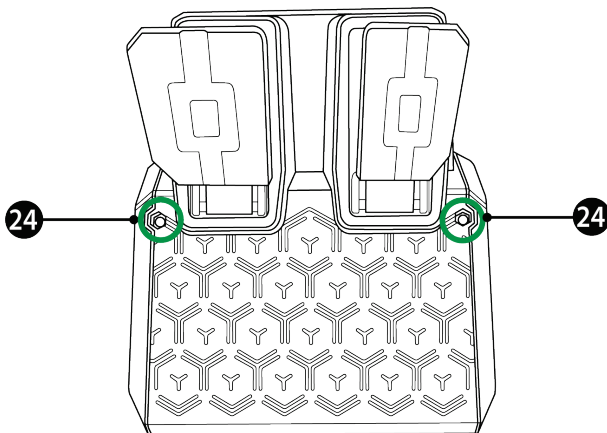


**Ostrzeżenie — ryzyko przytrzaśnięcia przez pedały poza grą**

- \* Przechowuj zestaw pedałów w bezpiecznym miejscu i trzymaj go z dala od dzieci.

## MOCOWANIE ZESTAWU PEDAŁÓW DO PODPORY LUB KOKPITU

Zestaw pedałów można przymocować do jednej z wielu podpór (do nabycia osobno), korzystając z dwóch otworów (24) znajdujących się po obu stronach zestawu.



**Jeśli kierownica i zestaw pedałów nie działają prawidłowo lub wydają się niewłaściwie skalibrowane:**

Wyłącz konsolę lub komputer i całkowicie odłącz kierownicę. Następnie podłącz ponownie wszystkie kable (w tym kabel zasilania i zestaw pedałów) oraz uruchom ponownie konsolę (lub komputer) i grę.

## INFORMACJE DOTYCZĄCE GWARANCJI DLA KLIENTA

Firma Guillemot Corporation S.A. z siedzibą pod adresem Place du Granier, B.P. 97143, 35571 Chantepie, Francja („Guillemot”) udziela klientowi obowiązującej na całym świecie gwarancji, że niniejszy produkt Thrustmaster będzie wolny od wad materiałowych i produkcyjnych przez okres gwarancji równy limitowi czasu, w którym klient może występować z roszczeniami z tytułu wad niniejszego produktu. W krajach Unii Europejskiej jest to okres dwóch (2) lat od dostarczenia produktu Thrustmaster. W innych krajach okres gwarancji jest równy limitowi czasu, w którym klient może występować z roszczeniami z tytułu wad produktu Thrustmaster zgodnie z przepisami obowiązującymi w kraju, w którym klient mieszkał w dniu zakupu produktu Thrustmaster. (Jeśli przepisy danego kraju nie przewidywają występowania z takimi roszczeniami, okres gwarancji będzie wynosił jeden (1) rok od pierwotnej daty zakupu produktu Thrustmaster).

Jeśli w okresie gwarancji wystąpią objawy mogące świadczyć o wadzie produktu, należy niezwłocznie skontaktować się z działem pomocy technicznej, który wskaże dalszy sposób postępowania. W razie potwierdzenia wady produkt należy zwrócić w punkcie zakupu (lub innym miejscu wskazanym przez dział pomocy technicznej).

W ramach niniejszej gwarancji wadliwy produkt zostanie wymieniony lub przywrócony do stanu sprawności użytkowej, zgodnie z decyzją działu pomocy technicznej. Jeśli w okresie gwarancji produkt Thrustmaster zostanie poddany czynnościom mającym na celu przywrócenie go do stanu użytkowego, dowolny okres co najmniej siedmiu (7) dni, podczas których produkt nie jest użytkowany, zostanie dodany do pozostałego okresu gwarancji (okres ten liczy się od dnia, w którym klient poprosi o interwencję, lub od dnia, w którym dany produkt zostanie udostępniony celem przywrócenia do stanu użytkowego, jeśli data udostępnienia celem przywrócenia do stanu użytkowego następuje po dacie prośby o interwencję). Jeśli zezwala na to obowiązujące prawo, całkowita odpowiedzialność firmy Guillemot i jej podmiotów zależnych (łącznie z odpowiedzialnością za szkody wtórne) ogranicza się do przywrócenia do stanu użytkowego lub wymiany produktu Thrustmaster. Jeśli zezwala na to obowiązujące prawo, firma Guillemot wyłącza wszelkie gwarancje kupnoności i przydatności do określonego celu.

Niniejsza gwarancja nie obowiązuje: (1) w przypadku, gdy produkt został zmodyfikowany, otwarty, zmieniony albo uszkodzony na skutek nieodpowiedniego lub nadmiernego użytkowania, niedbałości, wypadku, normalnego zużycia lub z innego powodu niezwiązanego z wadą materiałową ani produkcyjną (w tym między innymi z powodu połączenia produktu Thrustmaster z nieodpowiednim elementem, w tym w szczególności z zasilaczem, akumulatorem, ładowarką lub jakimkolwiek innym elementem niedostarczonym przez firmę Guillemot dla tego produktu); (2) w przypadku używania produktu w sposób inny niż użytek domowy, w tym do celów zawodowych lub komercyjnych (na przykład w salonach gier albo do prowadzenia szkoleń lub zawodów); (3) w razie nieprzestrzegania instrukcji podanych przez dział pomocy technicznej; (4) w odniesieniu do oprogramowania, jako że oprogramowanie to jest objęte odrębną szczegółową gwarancją; (5) w odniesieniu do materiałów eksploatacyjnych (elementów wymienianych w czasie eksploatacji produktu, na przykład baterii jednorazowych, muszli/nakładek na uszy do zestawów słuchawkowych lub słuchawek); (6) w odniesieniu do akcesoriów (na przykład kabli, pokrowców, etui, torebek, pasków na rękę); (7) w przypadku sprzedania produktu na aukcji publicznej.

Niniejsza gwarancja nie podlega przeniesieniu.

Niniejsza gwarancja nie wpływa na prawa klienta wynikające z przepisów dotyczących sprzedaży dóbr konsumenckich w kraju klienta.

### **Dodatkowe postanowienia gwarancyjne**

W okresie gwarancji firma Guillemot zasadniczo nie udostępni żadnych części zamiennych, ponieważ jedynym podmiotem upoważnionym do otwarcia jakiegokolwiek produktu Thrustmaster i/lub przywrócenia go do stanu użytkowego jest dział pomocy technicznej (oprócz ewentualnych procedur przywracania produktu do stanu użytkowego, o wykonanie których dział pomocy technicznej może poprosić klienta przez przekazanie pisemnych instrukcji — np. ze względu na prostotę i jawność procesu przywracania do stanu użytkowego — oraz, w razie potrzeby, przez udostępnienie klientowi wymaganych części zamiennych).

Ze względu na realizowane cykle innowacji oraz konieczność zapewnienia ochrony swojej specjalistycznej wiedzy i tajemnic handlowych firma Guillemot zasadniczo nie udostępni powiadomień dotyczących przywracania do stanu użytkowego ani części zamiennych w przypadku produktów Thrustmaster, których okres gwarancji upłynął.

### **Odpowiedzialność**

Jeśli zezwala na to obowiązujące prawo, firma Guillemot Corporation S.A. („Guillemot”) i jej podmioty zależne nie ponoszą żadnej odpowiedzialności za szkody spowodowane przez co najmniej jeden z następujących czynników: (1) modyfikację lub otwarcie produktu bądź wprowadzenie w nim zmian; (2) nieprzestrzeganie instrukcji montażu; (3) nieodpowiednie lub nadmierne użytkowanie, niedbałość, wypadek (na przykład uderzenie); (4) normalne zużycie; (5) używanie produktu w sposób inny niż użytek domowy, w tym do celów zawodowych lub komercyjnych (na przykład w salonach gier albo do prowadzenia szkoleń lub zawodów). Jeśli zezwala na to obowiązujące prawo, firma Guillemot i jej podmioty zależne nie ponoszą żadnej odpowiedzialności za szkody niezwiązane z wadą materiałową lub produkcyjną produktu (w tym między innymi za szkody spowodowane bezpośrednio lub pośrednio przez jakiegokolwiek oprogramowanie lub na skutek połączenia produktu Thrustmaster z nieodpowiednim elementem, w tym w szczególności z zasilaczem, akumulatorem, ładowarką lub jakimkolwiek innym elementem niedostarczonym przez firmę Guillemot dla tego produktu).

**THRUSTMASTER®**

**WSPARCIE TECHNICZNE**

<https://support.thrustmaster.com>





## PRAWA AUTORSKIE

©2022 Guillemot Corporation S.A. Wszelkie prawa zastrzeżone. Thrustmaster® jest zastrzeżonym znakiem towarowym firmy Guillemot Corporation S.A. Produkt wytwarzany i dystrybuowany przez firmę Guillemot Corporation S.A. Wszystkie inne znaki towarowe i nazwy marek są za takie uznawane i stanowią własność odpowiednich podmiotów. Zawartość, wzór i dane techniczne mogą ulec zmianie bez powiadomienia i różnić się w zależności od kraju. Zdjęcia i ilustracje nie są wiążące prawnie. Zaprojektowano w Ameryce Północnej i Europie, wyprodukowano w Chinach  
Do użytku wyłącznie z konsolami PlayStation®5 i konsolami PlayStation®4.

„PS”, „PlayStation”, „PS5”, „PS4” i „PlayStation Shapes Logo” są zastrzeżonymi znakami towarowymi lub znakami towarowymi firmy Sony Interactive Entertainment Inc. Wszelkie prawa zastrzeżone. Wszystkie inne znaki towarowe stanowią własność odpowiednich podmiotów. Produkt wytwarzany i dystrybuowany na licencji firmy Sony Interactive Entertainment LLC.

## ZALECENIE DOTYCZĄCE OCHRONY ŚRODOWISKA



\* Na terenie Unii Europejskiej, Wielkiej Brytanii i Turcji: gdy okres przydatności produktu do eksploatacji dobiegnie końca, produktu nie należy pozbywać się wraz ze zwykłymi odpadami z gospodarstwa domowego, ale oddać do recyklingu w punkcie zbiórki zużytego sprzętu elektrycznego i elektronicznego. Potwierdza to symbol znajdujący się na produkcie, w instrukcji obsługi lub na opakowaniu.

Zależnie od swoich właściwości materiały zawarte w produkcie mogą nadawać się do recyklingu. Dzięki recyklingowi i innym formom utylizacji zużytych urządzeń elektrycznych i elektronicznych klient może w znacznym stopniu przyczynić się do ochrony środowiska. Aby uzyskać informacje o najbliższych punktach zbiórki odpadów, należy skontaktować z miejscowymi władzami.

We wszystkich innych krajach: należy przestrzegać miejscowych przepisów dotyczących recyklingu sprzętu elektrycznego i elektronicznego.

Niniejsze informacje należy zachować. Kolorystyka i elementy ozdobne mogą różnić się od przedstawionych.

Przed korzystaniem z produktu należy zdjąć z niego plastikowe elementy mocujące oraz naklejki.

[www.thrustmaster.com](http://www.thrustmaster.com)

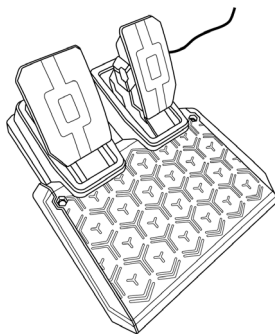
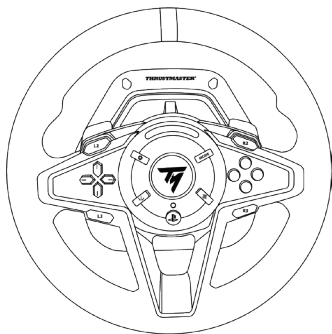
*\*Dotyczy wyłącznie UE, Wielkiej Brytanii i Turcji*



# T128

PlayStation®5、PlayStation®4、および PC 用\*

ユーザーズマニュアル



## 警告:

お使いの T128 ステアリングコントローラーが PlayStation®5、PlayStation®4、および PC 用ゲームで常に正しく機能するためには、ゲームの自動アップデートをインストールしなければならない場合があります (お使いのゲーム機本体または PC がインターネットに接続されている場合に利用可能)。

\*PC との互換性 (Windows® 10/11)との互換性は、株式会社ソニー・インタラクティブエンタテインメントによりテスト、保証はされていません。

# 保証規定

※ 本製品を使用される前に必ずお読みください。

この度は、本製品をお買い上げいただき誠にありがとうございます。以下の保証規定をお読みいただき内容を同意の上、本製品をご使用ください。

初期不良期間はお買い上げ日から1週間とさせていただきます。

保証期間はお買い上げ日から1年間です。

注意：

個人売買（インターネット等）で購入された際の購入日は、保証開始日として起算できません。社会的信用のある販売店での購入時のみ、購入日を保証開始日としますので、個人売買の場合は、商品の発売日から保証開始日として起算させていただきます。

製品がユーザーマニュアル記載の通常的使用方法により正常に動作しなくなった場合は、弊社の判断で無償にて交換／修理いたします。完売等の場合は同等品と無償で交換いたします。交換の場合、お客様からお送りいただいた製品等は返却いたしかねます。また、修理の際に取り外した部品等も返却いたしかねます。

保証期間内でも、次の場合は保証が受けられません。

1. 弊社製品と判断出来ない場合。
2. ハードウェア自身の消耗に起因する故障または損傷（本製品は性質上、物理的な機構の耐久性に依存する製品寿命がございます）。
3. 火災、地震、水害、落雷、ガス害、塩害、その他の天災地変、公害や異常電圧による故障または損傷。
4. お買い上げ後の輸送、移動時の落下などお取り扱いが不適当なため生じた故障・損傷。
5. ご使用時の不備あるいは接続している他の機器によって生じた故障または損傷。
6. ユーザーマニュアルの記載内容に反するお取り扱いによって生じた故障または損傷。
7. 弊社以外で改造、調整、部品交換などをされた場合。
8. 本製品の故障に起因するデータ損失などの付随する損害に関しては一切保証できません。
9. ご使用環境との相性問題に関する返品、返金等。
10. ゲームソフトとの相性問題に関する返品、返金等。
11. 一般家庭以外（例えば業務用）でのご使用による故障、損傷または不具合。
12. その他、弊社が、交換を認め難い不適切な行為があると判断した場合。
13. 購入日が確認できるレシートがない場合。

本製品に異常を感じられた場合は、すぐに使用を中止し、カスタマーサポートへご相談ください。

#### ■保証を受ける際に用意するもの

購入店と購入した日付が分かる書類(購入時のレシート、保証書シール、保証書レシート、通販の代引伝票など)が必要となります。

それらは決して捨てたりせずに大切に保管してください。

ご購入日付を証明する書類をご呈示いただけない場合、保証期間内であっても有償での修理対応となりますので、あらかじめご了承ください。

又、保証を受ける権利はご購入者以外(保証の譲渡)が所有する事はできません。

#### ■ご送付についてのご案内

本製品に異常が発生した場合、カスタマーサポートにご相談頂いた後に、本製品をカスタマーサポートまでご送付いただく場合がございます。現象、環境等の詳細をお書き添え頂き、配送業者様の送り状(伝票)に“不良検証品”と明記の上、お買い上げ時のレシート等と共に本製品をお送りください。

発送される際は、紛失等のトラブルを防ぐため、必ず受領確認の取れる宅配便でご送付ください。

封書、郵便小包等の郵送は固くお断り申し上げます。

※なお、輸送中の事故については、弊社にて責任を負いかねます。あらかじめご了承ください。

#### ■交換/修理依頼時のご注意

以下の点をご了承の上、交換/修理をご依頼頂きますようお願いいたします。

1. 交換/修理のご依頼について:交換/修理のご依頼は日本国内にお住まいの方とさせていただきます。
2. 代替機の貸出について:交換/修理に伴う代替機の貸出等は行っておりません。
3. 製品の交換について:修理が困難な場合には、修理せずに同等品と交換させて頂く事がございます。この場合、お客様にて貼られたシールなどはお返しできません。
4. お客様が設定されたデータについて:弊社にて修理作業を行う際にお客様が設定されたデータを消去する場合があります。この場合は、工場出荷初期状態でお返しすることとなります。(製品ごと交換する場合も同様です)

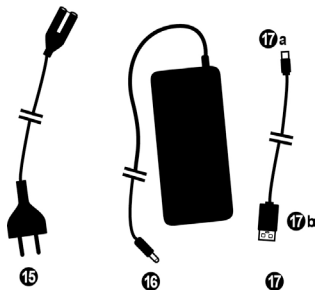
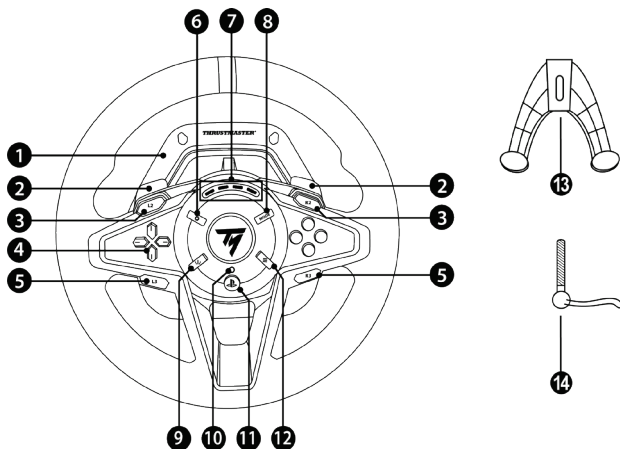
#### ■送料について

1. 初期不良期間内(お買い上げ日から1週間):初期不良期間の送料は往復共に弊社が負担させていただきます。
2. 初期不良期間終了以降~保証期間終了まで:弊社にご送付頂く際の送料はお客様にてご負担願います。
3. 製品を返送する際の送料は弊社にて負担させていただきます。

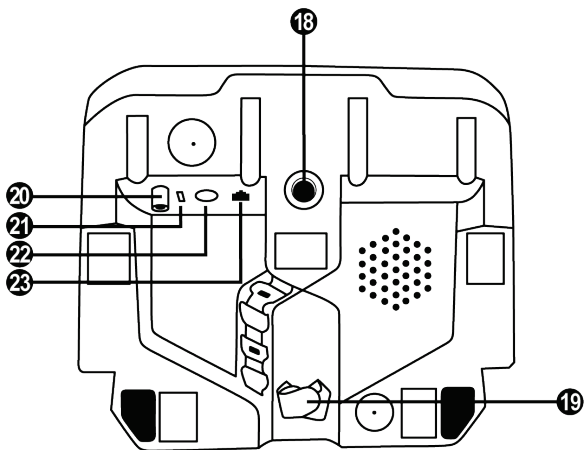
#### カスタマーサポート連絡先

<https://support.thrustmaster.com/ja/>

## 技術仕様



- |   |                         |    |                                     |
|---|-------------------------|----|-------------------------------------|
| 1 | T128 ベース                | 10 | ゲームモード LED (青・赤・緑)                  |
| 2 | 磁気バドルシフター 2 個 (- と +)   | 11 | PS ボタン                              |
| 3 | L2・R2 ボタン               | 12 | OPTIONS ボタン (PS4™・PS5™)             |
| 4 | 方向ボタン                   | 13 | アタッチメントシステム                         |
| 5 | L3・R3 ボタン               | 14 | 金属製取り付けねじ                           |
| 6 | 設定ボタン                   | 15 | 電源ケーブル (EU/U.S./UK…)                |
| 7 | RPM LED 4 個 (エンジン回転数表示) | 16 | 電源アダプター                             |
| 8 | MODE ボタン                | 17 | USB ケーブル: USB-C (17a) - USB-A (17b) |
| 9 | SHARE ボタン (PS4™)        |    |                                     |



- 18 大きなねじ穴 (アタッチメントシステムおよび締め付けねじ用)
- 19 面ファスナー留めケーブルホルダー
- 20 電源アダプター用コネクタ

- 21 ステアリングコントローラーの USB-C コネクタ
- 22 Thrustmaster シフター、ハンドブレーキ、ハブ (別売) 用ミニ DIN コネクタ
- 23 ペダルセット用 RJ12 コネクタ

EN

FR

DE

NL

IT

ES

PT

RU

CS

TR

PL

日本語

繁體中文

한국어

العربية

## 警告

本製品を使用する前にこのマニュアルをよくお読みになり、いつでも参照できるよう手近な所に保管してください。



### 警告 - 感電

- \* 本製品は湿気・ホコリの多い場所や、直射日光のあたる場所で保管しないでください。
- \* コネクターやケーブルを、ねじったり引っ張ったりしないでください。
- \* 本製品やコネクターをぬらさないでください。
- \* 本製品をショートさせないでください。
- \* 分解や改造は絶対にしないでください。本製品を火の中に投棄したり、高温にさらしたりしないでください。
- \* ステアリングコントローラー付属の電源ケーブル以外は使用しないでください。
- \* 電源ケーブルやコネクターが破損していたり、裂けていたり、断線している場合は絶対に使用しないでください。
- \* 電源ケーブルの片方がコンセントにしっかり差し込まれており、もう片方がステアリングコントローラーのベース部の背面コネクターにしっかりと接続されていることをご確認ください。
- \* ステアリングコントローラーを分解しないでください。内部にはユーザーが保守可能な部品はありません。修理はメーカー、指定の修理業者、あるいは資格を有する技術者までご依頼ください。
- \* メーカー指定のアタッチメント/アクセサリ以外は使用しないでください。
- \* ステアリングコントローラーの動作に異常（変なにおいや音、過度な発熱など）が発生したときは、使用をただちに中止し、電源コードをコンセントから抜き、他のケーブルもすべて抜いてください。
- \* ステアリングコントローラーを長期間使用しない場合は、必ず電源ケーブルをコンセントから抜いておいてください。
- \* 電源コンセントの場所は、必ず本体の近くで、なおかつアクセスしやすい場所にあることを確認してください。



使用説明書に記載されている電源のみを使用してください。

### 電源アダプターの情報

公開情報	値	単位
メーカー名または商標、商業登録番号、住所	<b>GUILLEMOT CORPORATION S.A.</b> 414 196 758 Rennes Place du Granier BP 97143 35571 Chantepie Cedex フランス	
モデル識別子	<b>A481-1852590D</b>	
入力電圧	<b>100 - 240</b>	V
入力 AC 周波数	<b>50 - 60</b>	Hz
出力電圧	<b>18.5</b>	V DC
出力電流	<b>2.6</b>	A
出力パワー	<b>47.9</b>	W
平均アクティブ効率	<b>87.8</b>	%
低負荷時の効率 (10%)	<b>87.8</b>	%
無負荷時の消費電力	<b>0.10</b>	W

## 排気口

ステアリングコントローラーのベース部にある通気口を塞がないように注意してください。最適な換気を行うために、以下のことを行ってください:

- \* ステアリングホイールのベース部を、壁面から少なくとも 10cm 以上離してください。
- \* ベース部を狭いスペースに置かないでください。
- \* ベース部をふさがないようにください。
- \* 排気口にホコリがたまらないようにしてください。



ペダルセットは、裸足もしくは靴下しか着用していない状態で絶対に使用しないでください。

THRUSTMASTER® は、靴を着用せずにペダルセットを使用したことによって生じたいかなるケガについても一切責任を負いません。



## 警告 - フォースフィードバック、および繰り返しの動きによる負傷の可能性

フォースフィードバック対応ステアリングコントローラーを使ったゲームプレイは、筋肉や関節の痛みなどの症状を引き起こす恐れがあります。そのようなリスクを回避するため、以下をお守りください:

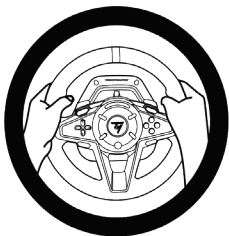
- \* 長時間のプレイは避けてください。
- \* 1 時間ごとに 10~15 分の休憩をとるようにしてください。
- \* 手、手首、腕、足を始めとする身体部位に疲れや痛みを感じたときはプレイをただちに中止し、再開する前に数時間の休憩をとるようにしてください。
- \* 休憩後にプレイを再開しても、上記の症状や痛みがとれない場合は、プレイを中止して医師に相談してください。
- \* 本製品は、お子様の手の届かない場所で使用してください。
- \* ゲームプレイ中は常に、ステアリングホイールの正しい位置に両手を置いて使用してください。ステアリングホイールから両手を完全に離さないでください。
- \* ゲームプレイ中は、ペダルの下およびペダルセット付近に指を絶対に置かないでください。
- \* 調整中およびゲームプレイ中は、絶対に手や腕をステアリングホイールのすき間に置かないでください。
- \* ステアリングコントローラーのベース部が、マニュアルの指示通りに正しく固定されていることを確認してください。



本製品の対象年齢は 14 歳以上です



正



誤



誤



**警告 - ペダル挟まれ危険 (プレイ時)**

- \* ペダルセットは、お子様の手の届かない場所で使用および保管してください。
- \* プレイ中は、ペダルの両サイド付近に指を絶対に置かないでください。
- \* プレイ中は、ペダルの後方ベース部付近に指を絶対に置かないでください。
- \* プレイ中は、ペダルのフロントベース部付近に指を絶対に置かないでください。

危険



危険



危険



**警告 - ペダルセット挟まれ危険 (非プレイ時)**

- \* ペダルセットは、子供の手が届かない安全な場所に保管してください。

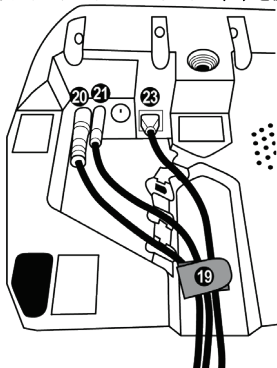
## ステアリングコントローラーを取り付ける

### ステアリングコントローラーをテーブルまたは机に取り付ける

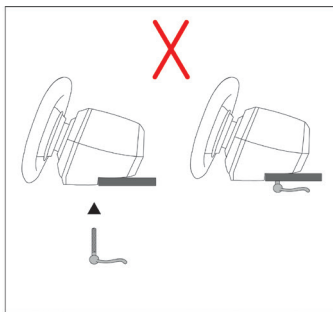
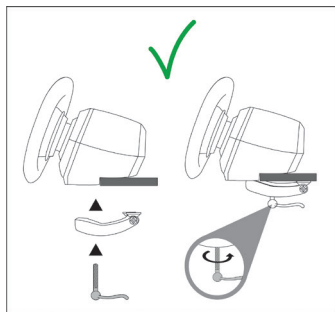
まず、ステアリングコントローラーの底面から接続します。

- 電源アダプター (20)
- クイックリリース USB-C ケーブル (17a) を USB-C コネクタ (21) に接続
- T2PM ペダルセット (23)

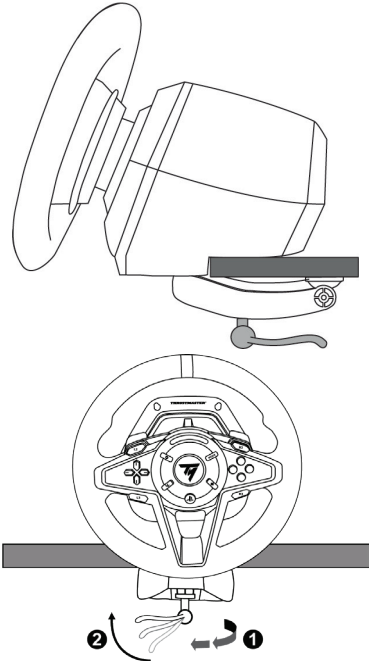
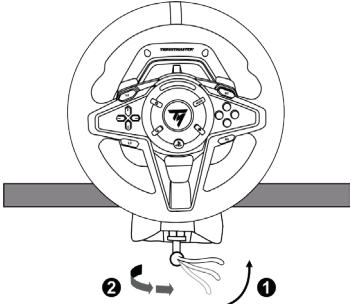
各ケーブルの経路を確認し、面ファスナーケーブルホルダー(19) を使ってケーブルを取り付けます。



1. ステアリングコントローラーを、テーブルなど平らで水平かつ、安定した場所に置きます。
2. アタッチメントシステム (13) に締め付けねじ (14) を差し込み、ねじを反時計方向に回して、ステアリングコントローラー底面の大きなねじ穴 (18) に締め込みます (ステアリングコントローラーがしっかりと固定されるまで)。



**警告:** 絶対に、アタッチメントシステムを取り付けずにねじだけを閉めないでください。  
ステアリングコントローラーが損傷する恐れがあります。

取り付け / 取り外し	方向
<p><b>締めるとき:</b> ねじを回す 反時計回り</p>	
<p><b>取り外すとき:</b> 時計回りに ネジを回す</p>	

# 取り付け

## ステアリングコントローラーとペダルセットの自動調整

ステアリングコントローラーを電源コンセントにつなげて、ステアリングコントローラーの USB コネクターを PlayStation®5 本体、PlayStation®4 本体、または PC に接続すると、ステアリングコントローラーの自動調整が実行されます。

自動調整では、ステアリングコントローラーが左右方向に合計 90° すばやく回転し、最後にセンターで停止します。



**警告:**

**自動調整が行われている間は、絶対にステアリングコントローラーに触れないでください。  
(調整が正しく行われなかったり、ケガをしたりする恐れがあります)**

ステアリングコントローラーが PlayStation®5 本体、PlayStation®4 本体、または PC に接続されている状態、もしくはゲームプレイ中は、絶対にペダルセットをステアリングホイールのベース部に接続 (またはベース分から取り外し) しないでください。調整が正しく行われない場合があります。ペダルセットは必ず、ステアリングコントローラーをゲーム機本体または PC に接続する前に、ステアリングホイールに接続してください。

ステアリングコントローラーの調整が完了してゲームが起動した後、ペダルを数回踏むとペダルは自動的に調整されます。



**警告:**

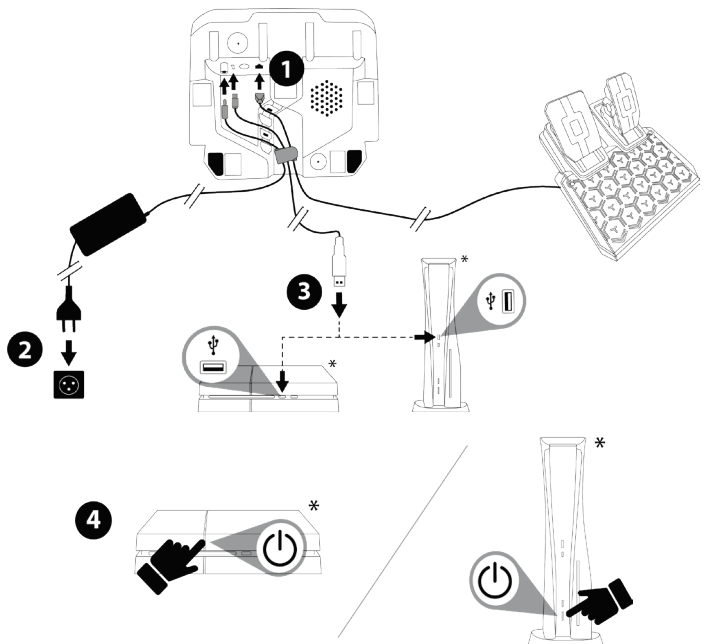
**ステアリングコントローラーの自動調整が行われている間やゲームのロード中は、絶対にペダルを踏まないでください！  
(調整が正しく行われない恐れがあります。)**

**ステアリングコントローラーやペダルセットが正しく動作しない、あるいは調整が正しくないと思われる場合:**

- ゲーム機本体または PC の電源を切り、ステアリングコントローラーを完全に取り外してください。その後、すべてのケーブル (電源ケーブルとペダルセットを含む) を再び接続し、ゲーム機本体 (または PC) と、ゲームを再起動してください。
- このユーザーズマニュアル (16 ページ) に記載されている手順に従って、ペダルを **デフォルト** モードに再設定します。

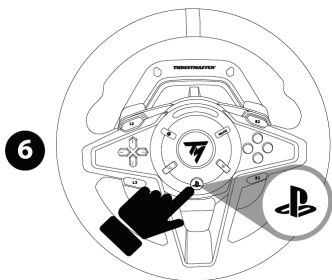
## PLAYSTATION®4 本体または PLAYSTATION®5 本体への取り付け

1. T2PM ペダルセットをベースの RJ12 コネクター (23) に接続します。
2. 電源ケーブルと電源アダプターをコンセントに差し込みます。
3. USB-C ケーブル (17a) をベースの USB-C ポート (21) に接続します。  
USB-A ケーブル (17b) を PS4™ または PS5™ 本体の USB-A ポートに接続します。
4. PlayStation®4 本体または PlayStation®5 本体の電源を入れます。ステアリングホイールが自動的にキャリブレーションされます。



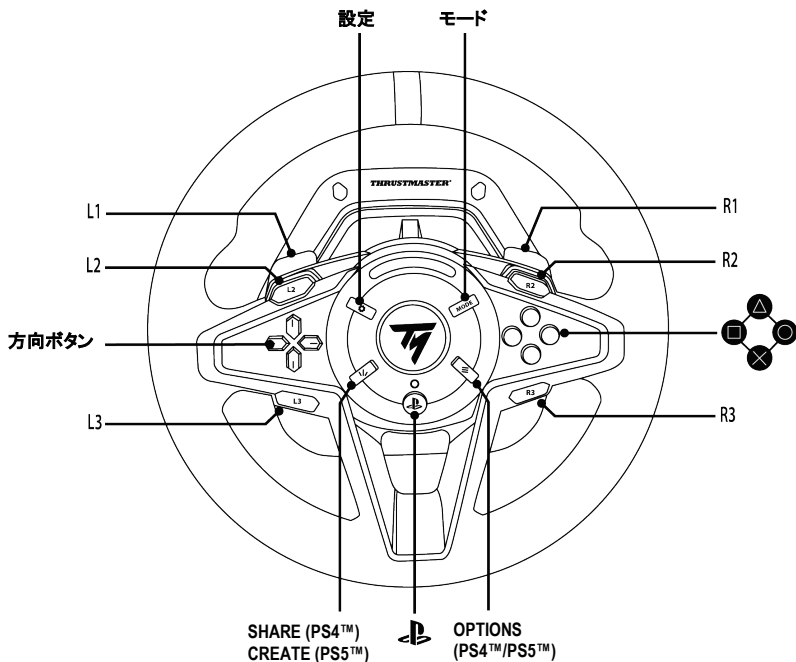
\*付属していません

5. 必要に応じて、本ユーザーズマニュアル（15 ページ）以降に記載されている手順で、使用したいゲームモードを選択します。
6. ステアリングホイールの PS ボタン (11) を押して、PlayStation™Network アカウントにログインすると、ステアリングホイールが機能ようになります。



これでプレイの準備ができました！

## PLAYSTATION®4 本体および PLAYSTATION®5 本体用マッピング



### PS4™ 本体および PS5™ 本体に関する注記:

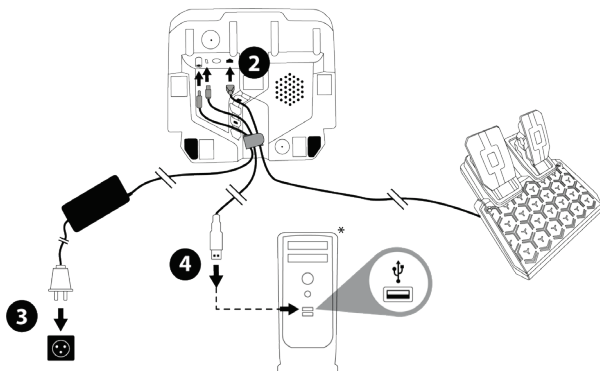
- このステアリングコントローラーは、ゲーム内では Thrustmaster T-GT ステアリングコントローラーまたは Thrustmaster Advanced Racer ステアリングコントローラーとして認識されます。
- 4 つのエンジン回転数表示 RPM LED (7) は、Thrustmaster SDK と互換性のある PC ゲームで機能します。対応ゲーム一覧はこちらです: <https://support.thrustmaster.com> ([ステアリングホイール] / [T128] / [ゲームの設定] セクション)。この一覧は定期的に更新されます。
- T128 ステアリングコントローラーと互換性のある PlayStation®4 および PlayStation®5 用ゲームの一覧はこちらです: <https://support.thrustmaster.com> ([ステアリングホイール] / [T128] / [ゲームの設定] セクション)。この一覧は定期的に更新されます。

## PC\* への取り付け

\*PC との互換性 (Windows® 10/11) との互換性は、株式会社ソニー・インタラクティブエンタテインメントによりテスト、保証はされていません。

1. PC 用ドライバおよびフォースフィードバック ソフトウェアをダウンロードするには、<https://support.thrustmaster.com> にアクセスします。【ステアリングホイール】 / 【T128】 / 【ドライバ】をクリックします。
2. T2PM ベダルセットをベースの RJ12 コネクター (23) に接続します。
3. 電源ケーブルと電源アダプターをコンセントに差し込みます。
4. USB-C ケーブル (17a) をベースの USB-C ポート (21) に接続します。
5. USB-A ケーブル (17b) を PC の USB-A ポートに接続します。

ステアリングホイールが自動的にキャリブレーションされます。

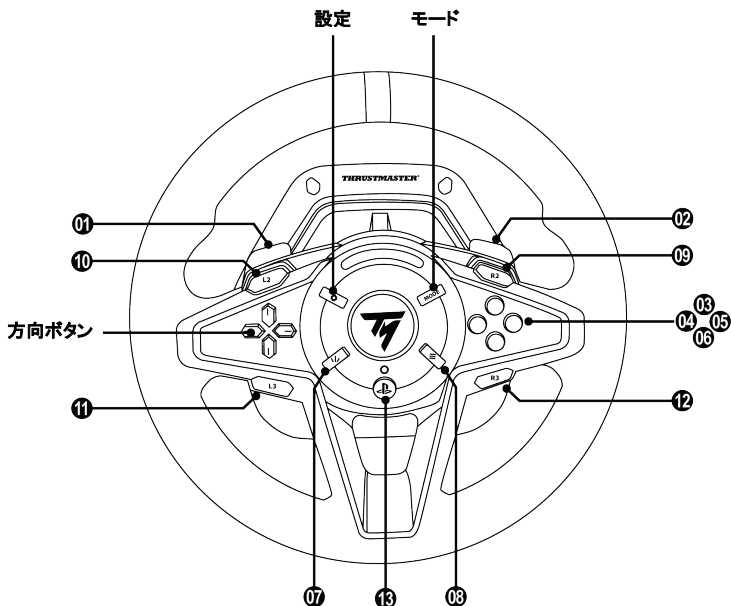


6. 【スタート】 / 【Thrustmaster】 / 【FFB Racing Wheel】 / 【コントロールパネル】 を選択し、「ゲームコントローラー」ウィンドウを開きます。「ゲーム コントローラー」ウィンドウには、ステアリングコントローラーが Thrustmaster Advanced Mode Race という名前で OK ステータスと共に表示されます。
7. 【プロパティ】 をクリックし、T128 コントロールパネルでステアリングコントローラーの設定を行います:

- ・【機器テスト】タブ: PC ゲームにおいて、ステアリングコントローラーのアクションボタン、方向ボタン、軸 (ペダルセットの軸も含む) のテストと表示、およびステアリングコントローラーの回転角度の調整を行うことができます。
- ・【フォーステスト】タブ: 12 種類のフォースフィードバック エフェクトをテストできます。
- ・【フォース調整】タブ: PC ゲームにおけるフォースフィードバック効果の強さを調整することができます。



## PC 用マッピング



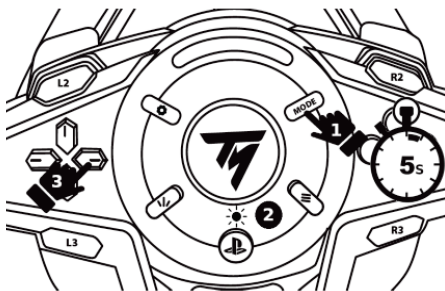
### PC に関する注意:

- コントロールパネルやゲーム内では、**Thrustmaster Advanced Mode Racer** という名前でステアリングコントローラーが認識されます。
- ゲームを開始する前に、**[OK]** をクリックして必ず「**ゲーム コントローラー**」ウィンドウを完全に閉じてください。
- 「**ゲーム コントローラー**」ウィンドウで行った設定や調整は、PC 上のみ保存されます (したがって、PS4™ および PS5™ 本体には影響しません)。
- ステアリングコントローラーのファームウェアのバージョンは、T128 コントロールパネルのタブの右上に表示されます。
- 4 つのエンジン回転数表示 RPM LED (7) は、Thrustmaster SDK と互換性のある PC ゲームで機能します。対応ゲーム一覧はこちらです: <https://support.thrustmaster.com> (【ステアリングホイール】 / 【T128】 / 【ゲームの設定】 セクション)。この一覧は定期的に更新されます。

## ゲームモードを選択する

### 手順:

1. PS ボタンの上にある LED (10) が点滅し始めるまで、MODE ボタン (8) を 5 秒間押し続けます。
2. MODE ボタン (8) を押したまま右方向キー (4) を押し、任意のゲームモードを選択します。



LED の色*	ゲームモード
青	PLAYSTATION® 現行機との互換性 (デフォルト)
赤	PLAYSTATION® 将来機との互換性
緑	PC

ゲームモードを選択したら、ボタンから指を離します。選択した設定がステアリングコントローラーの内部メモリに保存されます。その後、ステアリングコントローラーが再起動し、自動的にキャリブレーションが行われます。

### 注意:

- PlayStation®4 および PlayStation®5 の場合: 自動キャリブレーション後に T128 ステアリングコントローラーを機能させるには、PS ボタン (11) を押し、PlayStation™Network アカウントにログインしてください。

- T128 (の各ゲームモード) と互換性のある PlayStation®4 および PlayStation®5 用ゲームの一覧はこちらです: <https://support.thrustmaster.com> [ステアリングホイール] / [T128] / [ゲームの設定] セクション。この一覧は定期的に更新されます。

## ペダルセット用モード

(ステアリングコントローラーを再起動するたびに表示されます)

ステアリングコントローラーが再起動するたびに (および自動調整後)、4 つの RPM LED (7) がペダルセットが設定されているモード (ポジションとタイプ) を示します。

### ポジション:

- ・ **NORMAL:** デフォルトのポジション
- ・ または **反転:** このポジションでは、アクセルペダルとクラッチペダルが逆になります。このポジションは、3 ペダル式ペダルセットでのみ可能です。

### タイプ:

- ・ **T2PM-T3PA-T3PM, Load Cell テクノロジー非搭載:** デフォルトタイプ
- ・ または **T-LCM, Load Cell テクノロジー搭載。**

ペダルセット用モード	回転数表示 LED の点滅 (7)
<b>デフォルトモード</b> - ノーマルポジション - T2PM-T3PA-T3PM タイプ	<b>デフォルトモード</b> 
- ノーマルポジション - T-LCM タイプ	
- 反転ポジション - T2PM-T3PA-T3PM タイプ	
- 反転ポジション - T-LCM タイプ	

## デフォルトモードでのペダルの再設定

(この操作は、ペダルセットが正常に動作しない場合に実施します)

手順:

- 設定ボタン (6) をすばやく 8 回押します。



4 つの RPM LED (7) が同時に 5 回点滅し、デフォルトモードでの再設定を知らせます。



## ペダルのポジションを反転させる (3 ペダル式ペダルセットをご使用の場合)

T128 ステアリングコントローラーには、2 ペダル式 T2PM ペダルセットがデフォルトで付属しています。このステアリングコントローラーは、別売の Thrustmaster T3PA、T3PM、および T-LCM 3 ペダル式ペダルセットとも互換性があります。

3 ペダル式ペダルセットを使用している場合は、アクセルペダルとクラッチペダルを電子的に反転させることができます。

手順:

- 設定ボタン (6) を 5 秒間長押しします。



ペダルの反転は瞬時にステアリングコントローラーの内部メモリに保存され、4 つの RPM LED (7) のうち 1 つが 3 回点滅して、選択されたポジションを知らせます。

アクセルとクラッチペダル	RPM LED の点滅 (7)
デフォルトモード - ノーマルポジション	A diagram of a curved pedal assembly with four LEDs. The leftmost LED is highlighted in green. A circular icon with "3x" is positioned above it, indicating that this LED flashes 3 times.
- 反転ポジション	A diagram of a curved pedal assembly with four LEDs. The rightmost LED is highlighted in orange. A circular icon with "3x" is positioned above it, indicating that this LED flashes 3 times.

## ペダルセットのタイプをT2PM-T3PA-T3PM タイプから T-LCM タイプ に手動で切り替える (またはその逆)

デフォルトでは、ペダルセットのモードは **T2PM-T3PA-T3PM** タイプです。

このモードは、RJ12 ポートに T-LCM ペダルセットを接続した場合と、手動でモードを切り替えた場合を除き、ステアリングコントローラーのベースの内部メモリに保存され、常に有効な状態に保たれます。

手順:

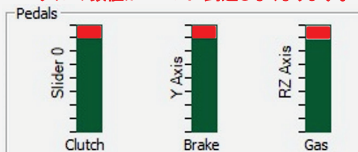
- 設定ボタン (6) と左パダルシフター (-) を同時に **5 秒間** 長押しします。



モード	RPM LED の点滅 (7)
<b>デフォルトモード</b> - T2PM-T3PA-T3PM タイプ	
- T-LCM タイプ	



**T-LCM タイプでは、T2PM、T3PA、および T3PM ペダルセットは正常に動作しません。  
ペダルの数値が 100% に到達しなくなります。**



**再度正しく機能する (100% に到達する) には、ステアリングコントローラーのベースのモードを手動で T2PM-T3PA-T3PM タイプに切り替える必要があります。**

## ステアリングコントローラーで手動で回転角度を変更する (回転角度が自動調整されないゲームのみ可能)

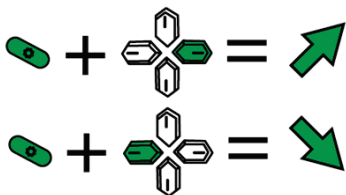
T128 ステアリングコントローラーは、270° ～900° の間で回転角度を調整することができます。

多くのゲームでは、ステアリングホイールの回転角度は自動であり、使用するマシンに応じて自動的に調整されます。このようなゲームでは、回転角度を手動で変更することはできません。これは、この機能がユーザーではなくゲームによって管理されるためです。

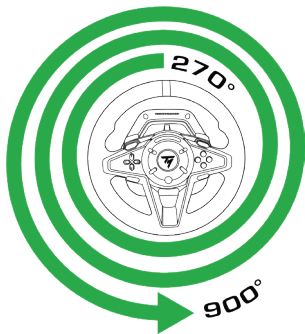
他のゲームでは、ステアリングホイールを直接使って手動で回転角度を変更することが可能です。

手順:

- 設定ボタン (6) と右方向ボタン (4) を同時に押すと、回転角度が 1 段階上がります。また、
- 設定ボタン (6) と左方向ボタン (4) を同時に押すと、回転角度が 1 段階下がります。



4つのレベルが選択可能	
選択された回転角度	RPM LED (7)
270°	
360°	
540°	
900°	



**注意:** ステアリングホイールを使って手動で変更された回転角度は、永続的に保存されるわけではありません。この手順は、ゲームまたはステアリングコントローラーが起動するたびに実施しなければなりません。

## 設定ボタンに関連するその他の機能 (6)

<https://support.thrustmaster.com> にアクセスしてください。

[ステアリングホイール] / [T128] をクリックし、続いて [マニュアル] または [FAQ] をクリックします。

## ステアリングコントローラーのファームウェアのアップデート

<https://support.thrustmaster.com> にアクセスしてください。

[ステアリングホイール] / [T128] / [ファームウェア] をクリックし、画面の指示に従います。

## よくある質問と答え

<https://support.thrustmaster.com> にアクセスしてください。

[ステアリングホイール] / [T128] をクリックし、続いて [マニュアル] または [FAQ] をクリックします。

EN

FR

DE

NL

IT

ES

PT

RU

CS

TR

PL

日本語

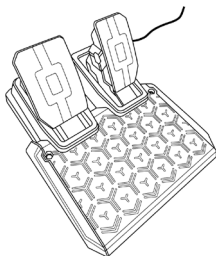
繁體中文

한국어

العربية



# T2PM ペダルセット



## 警告

本製品を使用する前にこのマニュアルをよくお読みになり、いつでも参照できるよう手近な所に保管してください。



ペダルセットは、裸足もしくは靴下しか着用していない状態で絶対に使用しないでください。

THRUSTMASTER® は、靴を着用せずにペダルセットを使用したことによって生じたいかなるケガについても一切責任を負いません。



## 警告 - ペダル挟まれ危険 (プレイ時)

- \* ペダルセットは、お子様の手の届かない場所で使用および保管してください。
- \* プレイ中は、ペダルの両サイド付近に指を絶対に置かないでください。
- \* プレイ中は、ペダルの後方ベース部付近に指を絶対に置かないでください。
- \* プレイ中は、ペダルのフロントベース部付近に指を絶対に置かないでください。

危険



危険



危険

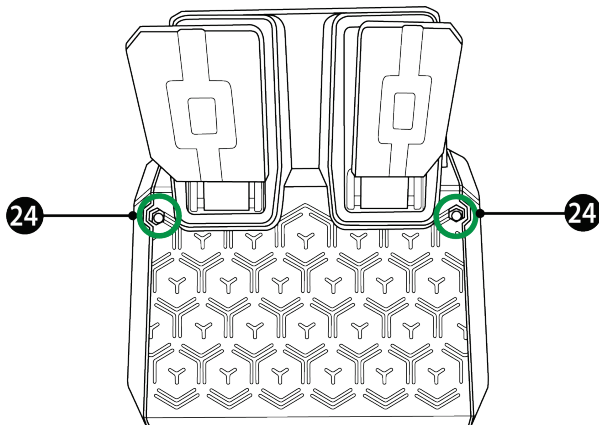


## 警告 - ペダルセット挟まれ危険 (非プレイ時)

- \* ペダルセットは、子供の手が届かない安全な場所に保管してください。

## ペダルセットをサポートまたはコックピットに取り付ける

ペダルセットは、ペダルセットの両側にある 2 つの穴 (24) を使用して、さまざまな異なるサポート (別売) に取り付けることができます。



**ステアリングコントローラーやペダルセットが正しく動作しない、あるいは調整が正しくないと思われる場合:**

ゲーム機本体または PC の電源を切り、ステアリングコントローラーを完全に取り外してください。その後、すべてのケーブル (電源ケーブルとペダルセットを含む) を再び接続し、ゲーム機本体 (または PC) と、ゲームを再起動してください。

## 著作権

©2022 Guillemot Corporation S.A. All rights reserved. Thrustmaster® は、Guillemot Corporation S.A. の登録商標です。

PlayStation®5 および PlayStation®4専用。

“PS”、“PlayStation”、“PS5”、“PS4”、“PS one”および“プレイステーション シェイプスロゴ”は、株式会社ソニー・インタラクティブエンタテインメントの登録商標または商標です。その他のすべての商標に関する権利は、それぞれの権利所有者に帰属します。株式会社ソニー・インタラクティブエンタテインメントからのライセンスに基づいて製造および販売されています。

その他、本書に記載の登録商標およびブランド名は、それぞれの所有者に帰属します。本書に含まれるイラストには法的拘束力はありません。本書に含まれる内容、設計および仕様は、事前の通告なしに変更される場合があります、また、各国で異なる場合があります。

Manufactured and distributed by Guillemot Corporation S.A.

## 環境保護推奨

国内の電気電子機器のリサイクル法を遵守してください。

リサイクルのための廃機器の収集地点や廃棄方法についての詳細は、お住まいの地域の自治体までお問い合わせください。

この情報は大切に保管してください。色や形状は実際の製品と異なる場合があります。

本製品をご使用になる前に、プラスチック留め具や粘着テープなどはすべて取り除いてください。

[www.thrustmaster.com](http://www.thrustmaster.com)

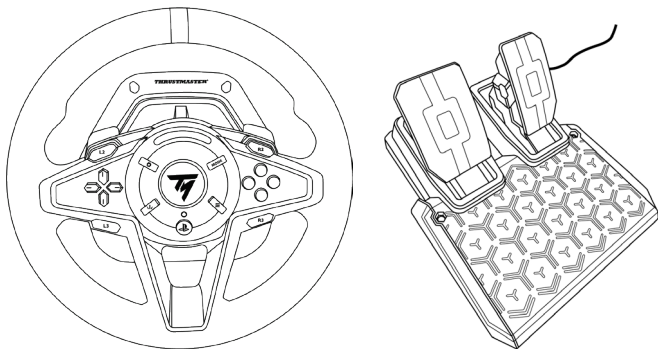
Made in China.



# T128

PlayStation®5 主机、PlayStation®4 主机和 PC 版\*

用户手册

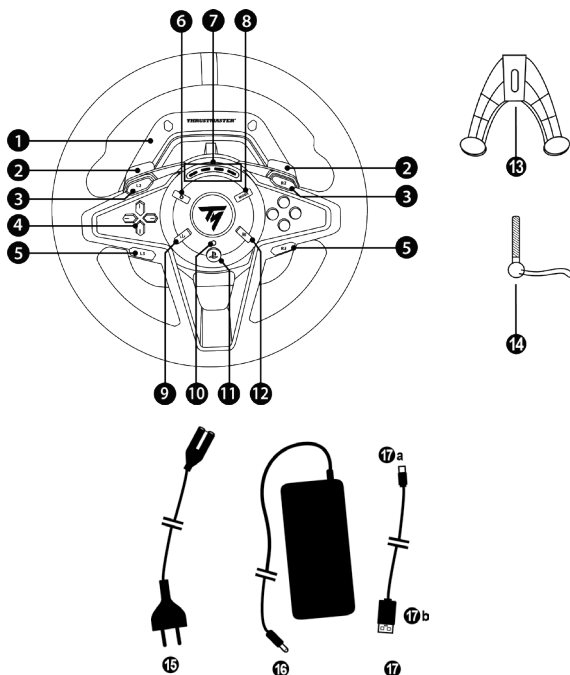


**警告：**

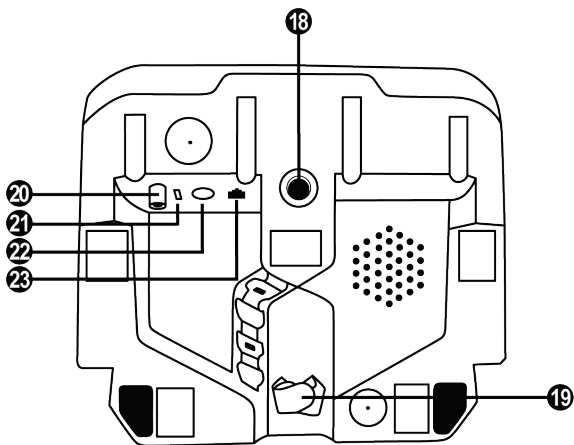
为确保您的 T128 方向盘能够正确地操控 PlayStation®5 主机、PlayStation®4 主机和 PC 上的游戏，您可能需要安装游戏的自动更新。  
(当您的游戏主机或 PC 连接到互联网时可用)。

\* 此产品对 PC 的兼容性 (Windows® 10/11) 未经 Sony Interactive Entertainment 的测试或认可。

## 技术特性



- 1 T128 底座
- 2 2个磁性换挡拨片 (- 和 +)
- 3 L2 和 R2 按钮
- 4 方向键按钮
- 5 L3 和 R3 按钮
- 6 SETTINGS (设置) 按钮
- 7 4个LED 转速指示灯 (引擎速度显示)
- 8 MODE (模式) 按钮
- 9 SHARE (分享) 按钮 (PS4™ 主机上)  
CREATE (创建) 按钮 (PS5™ 主机上)
- 10 游戏模式 LED (蓝色、红色或绿色)
- 11 PS 按钮
- 12 OPTIONS 按钮 (PS4™ 主机和 PS5™ 主机上)
- 13 固定系统
- 14 金属紧固螺丝
- 15 电源线 (欧标/美标/英标.....)
- 16 电源转接头
- 17 USB 电缆: USB-C (17a) 转 USB-A (17b) 电缆



18 大螺纹孔（用于安装固定系统和紧固螺丝）

19 钩环式紧固件线夹

20 电源转接头接口

21 方向盘的 USB-C 接口

22 Mini-DIN 接口，用于连接 Thrustmaster（图马思特）变速器、手刹或集线器（*另售*）

23 RJ12 接口，用于连接踏板组

## 警告

在使用此产品之前，请仔细阅读并保管好本手册以备日后参考之用。



### 警告 - 触电

- \* 请将本产品置于干燥的位置，切勿将其暴露在灰尘或阳光中。
- \* 切勿扭曲或拉扯接头和电缆。
- \* 切勿让任何液体溅到本产品或其接头上。
- \* 切勿造成本产品短路。
- \* 切勿拆解本产品；切勿将其投入火中，亦勿将其暴露在高温环境中。
- \* 请务必使用方向盘随附的电源线，切勿使用其他电源线。
- \* 如果电源线或其接头损坏、裂开或断裂，请勿使用该电缆。
- \* 请务必将电源线正确插入到电气插座中，并正确连接到位于方向盘底座背部的接头。
- \* 切勿拆开本方向盘：内部没有任何可由用户维修的零部件。任何维修工作均须由制造商、其授权代表或持证技工执行。
- \* 仅使用制造商指定的固定系统/配件。
- \* 如果方向盘工作异常（如果出现任何异常的声音、过热或有异味），应立即停止使用，从电气插座上断开电源线，并断开其他电缆。
- \* 如果长时间不使用方向盘，请从电气插座上断开电源线。
- \* 电气插座必须位于设备附近，且必须方便插拔电源线。



仅使用用户手册中列出的电源。

### 电源转接头说明

发布的信息	值	单位
制造商名称或商标、工商注册号和地址	<b>GUILLEMOT CORPORATION S.A.</b> 414 196 758 Rennes Place du Granier BP 97143 35571 Chantepie Cedex 法国	
型号	<b>A481-1852590D</b>	
输入电压	<b>100 - 240</b>	V
输入交流电频率	<b>50 - 60</b>	Hz
输出电压	<b>18.5</b>	V DC
输出电流	<b>2.6</b>	A
输出功率	<b>47.9</b>	W
平均工作效率	<b>87.8</b>	%
低负载时的效率 (10%)	<b>87.8</b>	%
空载功耗	<b>0.10</b>	W



## 通气孔

切勿堵住方向盘底座上的任何通气孔。为获得最佳通风效果，请务必遵循以下几点：

- \* 将方向盘底座置于距离任何墙面至少 10 cm 的位置。
- \* 切勿将底座置于任何狭小空间内。
- \* 切勿覆盖底座。
- \* 避免通气孔上堆积灰尘。



为安全起见，切勿赤脚  
或仅穿袜子操作踏板组。

如因未穿鞋操作踏板组而造成任何伤害，THRUSTMASTER® 对此概不负责。



## 警告 - 因力反馈和重复运动造成的伤害

使用力反馈方向盘玩游戏可能会造成肌肉或关节疼痛。为避免这些问题：

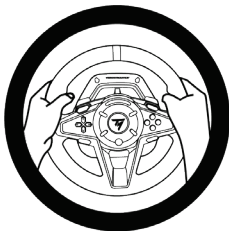
- \* 避免长时间玩游戏。
- \* 每玩一小时后休息 10 到 15 分钟。
- \* 如果手、手腕、手臂、脚或腿有任何疲劳或疼痛的感觉，应停止玩游戏，休息几个小时后  
再玩。
- \* 如果再玩时仍然存在上述症状或疼痛感，应立即停止玩游戏并咨询医生。
- \* 放到儿童够不到的区域。
- \* 玩游戏期间，应始终将双手正确放在方向盘上，手不要完全离开方向盘。
- \* 玩游戏期间，切勿将手或手指放在踏板下方或踏板组附近任何位置。
- \* 校准和玩游戏期间，切勿将手或手臂穿过方向盘的开孔。
- \* 务必按照本手册的说明将方向盘底座固定到位。



本产品只能由年满 14 岁的用户操作



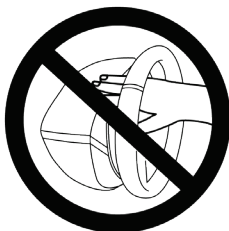
务必



切勿



切勿



**警告—玩游戏时存在的踏板组夹伤危险**

- \* 将踏板组放在儿童够不到的区域。
- \* 玩游戏时，切勿将手指放在踏板侧边或附近任何位置。
- \* 玩游戏时，切勿将手指放在踏板后底座上或附近任何位置。
- \* 玩游戏时，切勿将手指放在踏板前底座上或附近任何位置。

切勿



切勿



切勿



**警告—不玩游戏时存在的踏板组夹伤危险**

- \* 将踏板组放在安全且儿童够不到的位置。

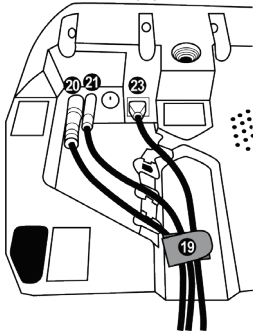
## 固定方向盘

### 将方向盘固定到台面或桌面上

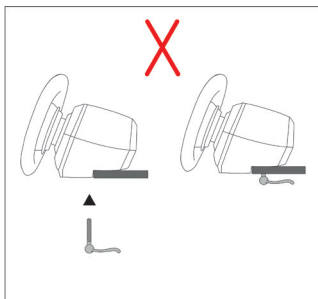
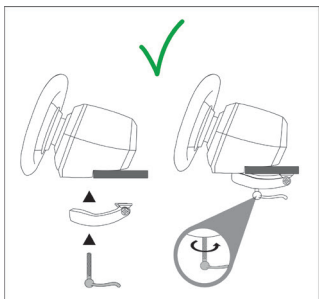
从方向盘底部开始连接：

- 电源转接头 (20)；
- 将快速拆卸 USB-C 电缆 (17a) 连接到 USB-C 接口 (21)；
- T2PM 踏板组 (23)。

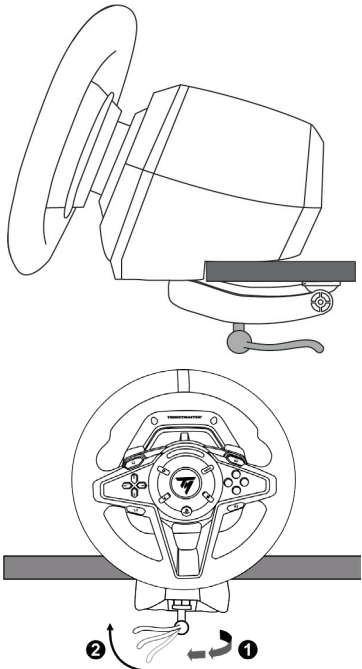
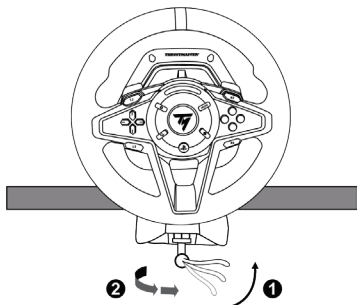
务必沿着不同电缆的路径，使用钩环式紧固件线夹 (19) 连接电缆。



1. 将方向盘置于桌台或任何水平、平整且稳定的表面上。
2. 将紧固螺丝 (14) 插入到固定系统 (13) 中，然后按下述方法紧固方向盘：逆时针拧转螺丝，使螺丝进入方向盘底部的大螺孔 (18) 中，直至方向盘完全固定好为止。



**警告：切勿在未将固定系统安放到位的情况下拧紧螺丝！  
这可能会损坏方向盘。**

固定/拆卸	操作指示
<p>拧紧方法： <b>逆时针 旋转螺丝</b></p>	
<p>松开： <b>顺时针 旋转螺丝</b></p>	

## 安装

### 自动校准方向盘和踏板组

将此方向盘插接到电气插座并将方向盘的 USB 接口连接到 PlayStation®5 主机、PlayStation®4 主机或 PC 之后，即可自动执行方向盘自校准。

在自校准过程中，方向盘将快速地向左向右各旋转 900 度，然后在中心位置停下。



**警告：**

**切勿在自校准过程中触摸方向盘！  
(这可能导致校准不正确和/或人员受伤。)**

- 当踏板组连接到 PlayStation® 主机或 PC 时，或者在玩游戏期间，切勿将踏板组连接到方向盘底座（或者将其从底座断开）（这可能导致校准不正确）。

务必先连接踏板组，再将方向盘连接到 PlayStation®5 主机、PlayStation®4 主机或 PC。完成方向盘校准并启动游戏之后，只需踩几下踏板，即会自动校准踏板。



**警告：**

**在赛车方向盘的自动校准阶段或加载游戏期间，  
切勿踩踏板！  
(这可能导致校准不正确。)**

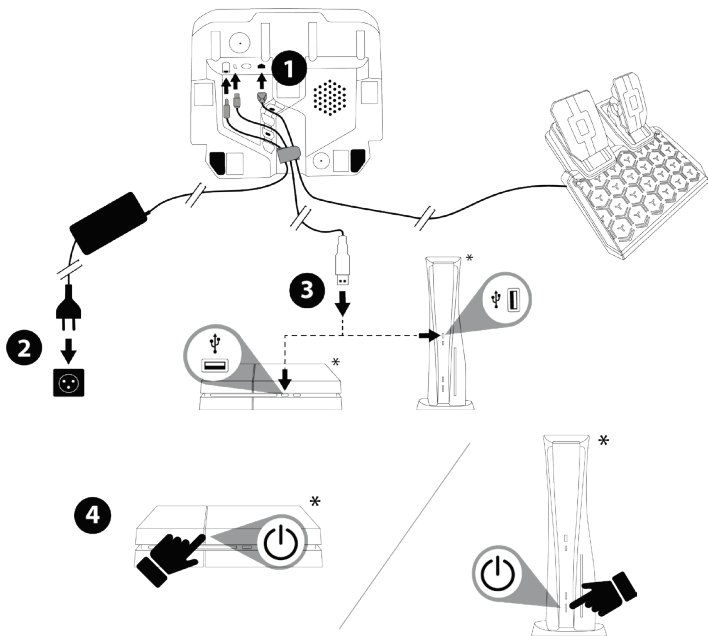
如果您的方向盘和/或踏板组运行不正常，或似乎校准不当：

- 关闭主机或 PC 并完全断开方向盘。然后重新连接所有电缆（包括电源线和踏板组电缆），重新启动主机（或 PC）和游戏。

- 使用本用户手册下文（第 16 页）列出的程序，将踏板组重新配置为**默认**模式。

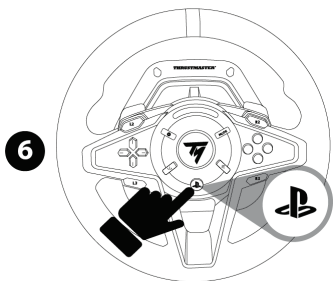
## 安装到 PLAYSTATION®4 主机或 PLAYSTATION®5 主机上

1. 将 T2PM 踏板组连接到底座的 RJ12 接口 (23)。
2. 将电源线和电源转接头插入电气插座中。
3. 将 USB-C 电缆 (17a) 连接到底座的 USB-C 端口 (21)。将 USB-A 电缆 (17b) 连接到 PS4™ 主机或 PS5™ 主机上的 USB-A 端口。
4. 启动 PlayStation®4 主机或 PlayStation®5 主机。方向盘将自动进行自校准。



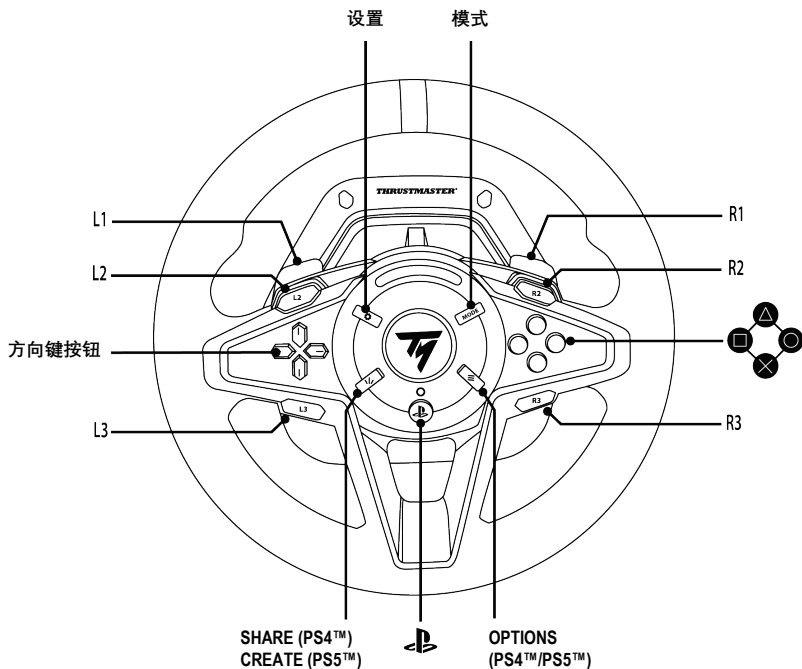
\* 不包括在套件内

- 如有必要，通过本用户手册下文（第 15 页）列出的程序，选择您希望使用的游戏模式。
- 按方向盘上的 PS 按钮 **(11)** 并登录您的 PlayStation™Network 帐户，以便能够使用该方向盘。



**现在即可开始玩游戏了!**

## 针对 PLAYSTATION®4 主机和 PLAYSTATION®5 主机进行映射



### 针对 PS4™ 主机或 PS5™ 主机的注意事项

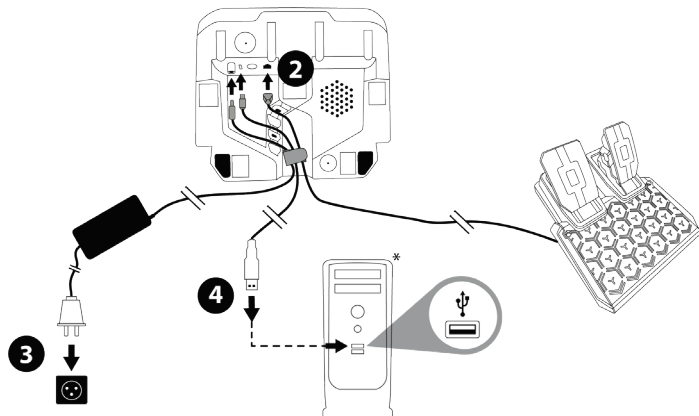
- 此方向盘在游戏中被识别为 Thrustmaster T-GT 方向盘或 Thrustmaster Advanced Racer 方向盘。
- 4 个引擎速度显示 LED 转速指示灯 (7) 可在兼容 Thrustmaster SDK 的游戏中正常工作。兼容游戏的列表详见：<https://support.thrustmaster.com>（位于 Racing Wheels（方向盘）/ T128 / Games settings（游戏设置）部分）。此列表将定期更新。
- 兼容 T128 的 PlayStation®4 主机和 PlayStation®5 主机游戏的列表详见：<https://support.thrustmaster.com>（位于 Racing Wheels（方向盘）/ T128 / Games settings（游戏设置）部分）。此列表将定期更新。

## 安装到 PC 上\*

\* 此产品对 PC 的兼容性 (Windows® 10/11) 未经 Sony Interactive Entertainment 的测试或认可。

1. 访问 <https://support.thrustmaster.com> 以下载适用于 PC 的驱动程序和 Force Feedback 软件。点击 **Racing Wheels (方向盘) / T128 / Drivers (驱动程序)**。
2. 将 T2PM 踏板组连接到底座的 RJ12 接口 (23)。
3. 将电源线和电源转接头插入电气插座中。
4. 将 USB-C 电缆 (17a) 连接到底座的 USB-C 端口 (21)。
5. 将 USB-A 电缆 (17b) 连接到 PC 上的 USB-A 端口。

方向盘会自动执行自校准。



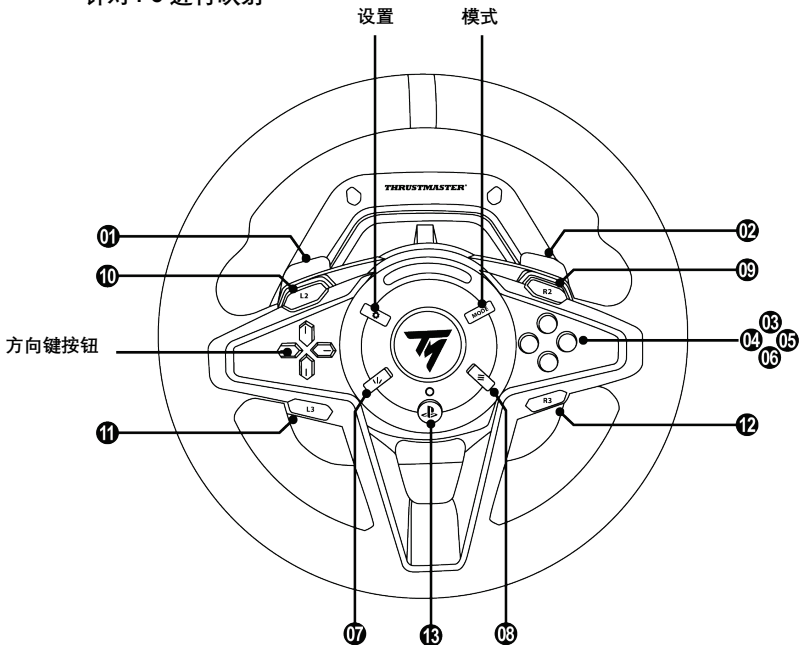
6. 选择开始 / Thrustmaster / FFB 方向盘 / 控制面板，以打开**游戏控制器**窗口。游戏控制器窗口将显示方向盘的名称 **Thrustmaster Advanced Mode Racer**，并且状态为**正常**。

7. 点击**属性**，在 T128 控制面板中配置您的方向盘：

- **测试设备选项卡**：可用于测试和查看方向盘的操作按钮、方向键按钮和轴（以及踏板组的轴），并调节方向盘在 PC 游戏中的旋转角度。
- **测试力反馈选项卡**：可用于测试 12 种力反馈效应。
- **调节力反馈选项卡**：可用于调节力反馈效应在 PC 游戏中的作用大小。



## 针对 PC 进行映射



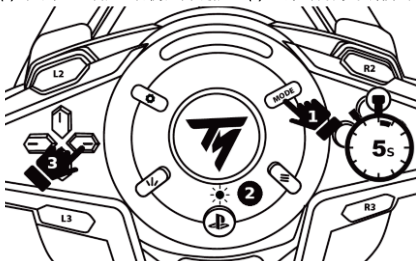
### 针对 PC 的注意事项：


- 在控制面板和游戏中，方向盘将以 **Thrustmaster Advanced Mode Racer** 的名称显示。
- 在启动游戏之前，请务必通过点击**确定**，完全关闭**游戏控制器**窗口。
- 在**游戏控制器**窗口中所做的设置和调整仅保存在 PC 上（因此，对 PS4™ 主机或 PS5™ 主机没有任何影响）。
- 方向盘的固件版本显示在 T128 控制面板选项卡的右上角。
- 4 个引擎速度显示 LED 转速指示灯 (7) 可在兼容 Thrustmaster SDK 的 PC 游戏中正常工作。兼容游戏的列表详见：<https://support.thrustmaster.com>（位于 **Racing Wheels**（方向盘）/ **T128** / **Games settings**（**游戏设置**）部分）。此列表将定期更新。

## 选择游戏模式

### 程序：

1. 长按 MODE 按钮 (8) 5 秒钟，直至 PS 按钮上方的 LED (10) 开始闪烁。
2. 按住 MODE 按钮 (8) 不放，同时按下右侧方向键按钮 (4) 选择所需的游戏模式。



LED 颜色 	游戏模式
蓝色	PLAYSTATION® 标准兼容性 (默认模式)
红色	PLAYSTATION® 未来兼容性
绿色	PC

选择游戏模式并松开按钮后：您所做的选择将保存在方向盘的内存中。方向盘将会重启并自校准。

### 注意：

- 在 PlayStation®4 主机和 PlayStation®5 主机上：按 PS 按钮 (11) 并登录您的 PlayStation™Network 帐户，以便 T128 能够在执行自校准后正常工作。
- 兼容 PlayStation®4 主机、PlayStation®5 主机和 T128（及其对应的游戏模式）的游戏列表详见：<https://support.thrustmaster.com>（位于 Racing Wheels（方向盘）/ T128 / Games settings（游戏设置）部分）。此列表将定期更新。

## 踏板组模式

(每次重启方向盘时显示)

每次重启方向盘时 (及其自校准之后), 4 个 LED 转速指示灯 (7) 会显示踏板组所配置的模式 (位置和类型)。

### 位置:

- 标准: 默认位置;
- 或对调: 在此位置时, 对调油门踏板和离合器踏板 — 此位置仅在使用三踏板式踏板组的情况下才可实现。

### 类型:

- T2PM-T3PA-T3PM, 未采用 Load Cell (荷重元) 技术: 默认类型;
- 或 T-LCM, 采用 Load Cell (荷重元) 技术。

踏板组模式	转速指示灯 (7) 的闪烁
<b>默认模式</b> - 标准位置 - T2PM-T3PA-T3PM 类型	<b>默认模式</b> 
- 标准位置 - T-LCM 类型	
- 对调位置 - T2PM-T3PA-T3PM 类型	
- 对调位置 - T-LCM 类型	

## 将踏板组重新配置为默认模式 (在踏板组无法正常工作的情況下执行此操作)

程序: \_

- 快速按下设置按钮 (6) 8 次。



4 个 LED 转速指示灯 (7) 同时闪烁 5 次，表示重新配置为默认模式。



## 对调踏板的位置

### (使用三踏板式踏板组的情况下)

默认情况下，T128 方向盘随附双踏板式 T2PM 踏板组。该款方向盘还兼容 Thrustmaster T3PA、T3PM 和 T-LCM 三踏板式踏板组（另售）。

在使用三踏板式踏板组的情况下，可通过电子方式对调油门踏板和离合器踏板。

#### 程序：

- 长按设置按钮 (6) 5 秒钟。



踏板对调会立即保存在方向盘的内置存储器中，4 个 LED 转速指示灯 (7) 中之一会闪烁 3 次，以指示所选的位置。

油门踏板和离合器踏板	转速指示灯 (7) 的闪烁
<b>默认模式</b> - 标准位置	A diagram of a curved tachometer with four LEDs. The first LED on the left is highlighted in green. A circular icon with '3x' is positioned above the first LED.
- 对调位置	A diagram of a curved tachometer with four LEDs. The second LED from the left is highlighted in orange. A circular icon with '3x' is positioned above the second LED.

## 将踏板组从 T2PM-T3PA-T3PM 类型手动切换到 T-LCM 类型 (反之亦然)

默认情况下，踏板组的模式为 **T2PM-T3PA-T3PM** 类型。

此模式保存在方向盘底座的内置存储器中并始终保持启用状态，除非将 T-LCM 踏板组连接到 RJ12 端口，或以手动方式切换模式。

程序：

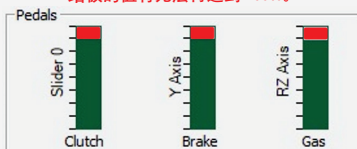
- 同时长按设置按钮 (6) 和左换挡拨片 (-) 5 秒钟。



模式	转速指示灯 (7) 的闪烁
<b>默认模式</b> - T2PM-T3PA-T3PM 类型	
- T-LCM 类型	



对于 T-LCM 类型，T2PM、T3PA 和 T3PM 踏板组将无法正常工作。  
踏板的值将无法再达到 100%。



如需再次正常运行（并达到 100%），则须手动将方向盘底座的模式切换为 **T2PM-T3PA-T3PM** 类型。

## 通过方向盘手动更改旋转角度 (仅适用于不自动调节旋转角度的游戏)

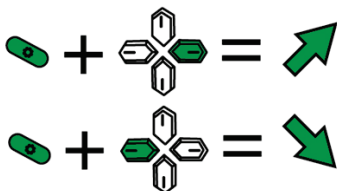
T128 方向盘的旋转角度可在 270° - 900° 之间调节。

在许多游戏中，方向盘的旋转角度是自动设定的，并可根据所使用的车辆自行调节。在此类游戏中，无法手动更改旋转角度，此项功能由游戏而非用户进行管理。

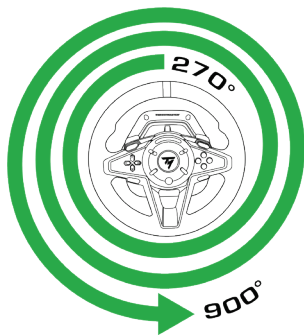
在其他游戏中，可直接通过方向盘手动更改旋转角度。

### 程序：

- 同时按下设置按钮 (6) 和右方向键按钮 (4)，可增大一级旋转角度；或
- 同时按下设置按钮 (6) 和左方向键按钮 (4)，可减小一级旋转角度。



4 种可能的级别	
选定的旋转角度	转速指示灯 (7)
270°	
360°	
540°	
900°	



**请注意：**系统不会永久保存通过方向盘手动修改的旋转角度。每次重启游戏或方向盘时均须执行此程序。

## 与设置按钮 (6) 有关的其他功能

请访问 <https://support.thrustmaster.com>。

点击 **Racing Wheels (方向盘) / T128**，然后选择 **User manual (用户手册)** 或 **FAQ (常见问题解答)**。

## 更新方向盘的固件

访问 <https://support.thrustmaster.com>。

点击 **Racing Wheels (方向盘) / T128 / Firmware (固件)**，然后按照说明进行操作。

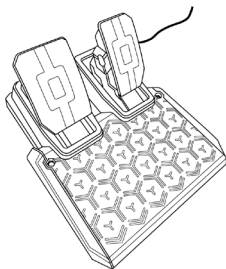
## 各种技巧和常见问题解答

访问 <https://support.thrustmaster.com>。

点击 **Racing Wheels (方向盘) / T128**，然后选择 **Manual (手册)** 或 **FAQ (常见问题解答)**。



# T2PM 踏板组



## 警告

在使用此产品之前，请仔细阅读并保管好本手册以备日后参考之用。



为安全起见，切勿赤脚或仅穿袜子操作踏板组。  
如因未穿鞋操作踏板组而造成任何伤害，THRUSTMASTER® 对此概不负责。



## 警告—玩游戏时存在的踏板组夹伤危险

- \* 将踏板组放在儿童够不到的区域。
- \* 玩游戏时，切勿将手指放在踏板侧边或附近任何位置。
- \* 玩游戏时，切勿将手指放在踏板后底座上或附近任何位置。
- \* 玩游戏时，切勿将手指放在踏板前底座上或附近任何位置。

切勿



切勿



切勿

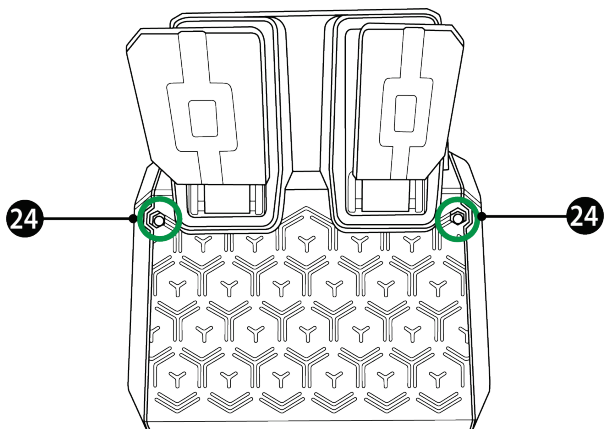


## 警告—不玩游戏时存在的踏板组夹伤危险

- \* 将踏板组放在安全且儿童够不到的位置。

## 将踏板组固定到支座上或驾驶舱上

可使用位于踏板组任意一侧的 2 个穿孔 (24) 将踏板组固定到各种不同的支座 (另售) 上。



**如果您的方向盘和/或踏板组运行不正常，或似乎校准不当：**

关闭主机或 PC 并完全断开方向盘。然后重新连接所有电缆 (包括电源线和踏板组电缆)，重新启动主机 (或 PC) 和游戏。

## 版权所有

© 2022 Guillemot Corporation S.A. 保留所有权利。Thrustmaster® 是 Guillemot Corporation S.A. 的注册商标。专用于 PlayStation®5 主机和 PlayStation®4 主机。

“PS”、“PlayStation”、“PS5”、“PS4”和“PlayStation Shapes Logo”是 Sony Interactive Entertainment Inc. 的注册商标或商标。保留所有权利。所有其他商标均为其各自所有者的资产。制造和发行均获得 Sony Interactive Entertainment Inc. 的授权。

产品图片不具约束力。以上内容、设计和规格若有变更，恕不另行通知。并且，以上信息可能因国家不同而不同。中国制造。

## 环保建议

请遵守当地法规，正确回收电子电器产品。

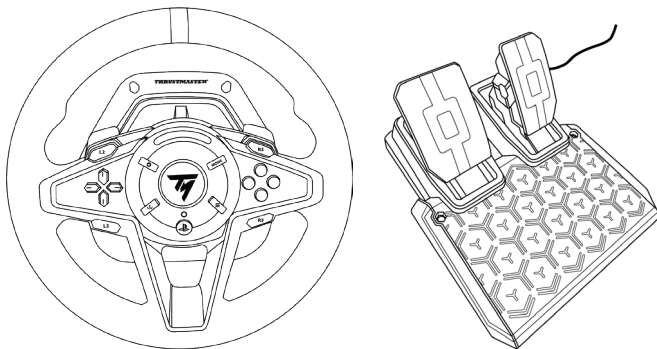
请妥善保管本说明书。产品颜色和具体装饰可能有所不同。  
使用本产品前请先拆除塑料紧固件和胶带。



# T128

PlayStation®5 主機、PlayStation®4 主機和 PC 版\*

使用者手冊



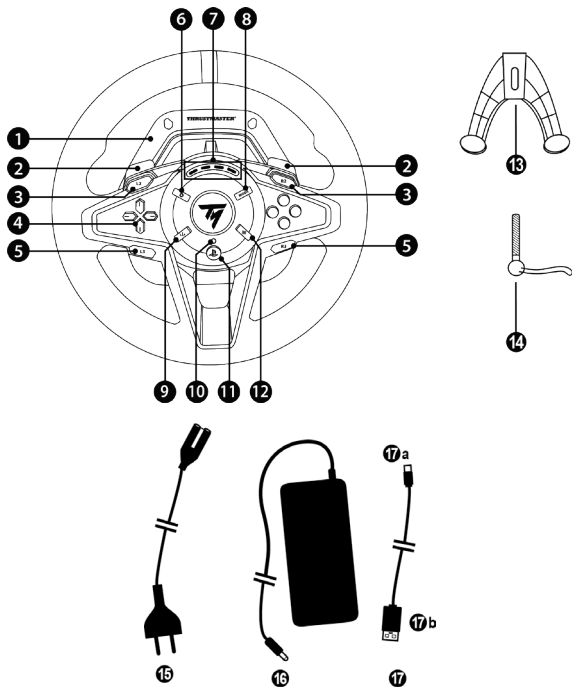
**警告：**

為確保您的 T128 方向盤能夠正確地操控 PlayStation®5 主機、PlayStation®4 主機和 PC 上的遊戲，您可能需要安裝遊戲的自動更新。

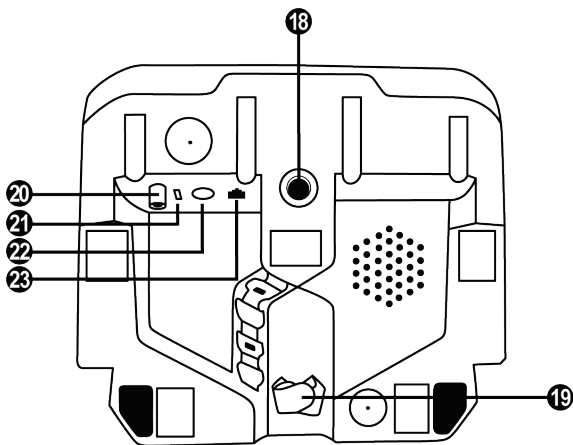
(當您的遊戲主機或 PC 連線到網際網路時可執行更新)。

\* 此產品對 PC 的相容性 (Windows® 10/11) 未經 Sony Interactive Entertainment 的測試或認可。

## 技術特性



- 1 T128 底座
- 2 2 個磁性換擋撥片 (- 和 +)
- 3 L2 和 R2 按鈕
- 4 方向鍵按鈕
- 5 L3 和 R3 按鈕
- 6 SETTINGS (設定) 按鈕
- 7 4 個 LED 轉速指示燈 (引擎速度顯示)
- 8 MODE (模式) 按鈕
- 9 SHARE (分享) 按鈕 (PS4™ 主機上)  
CREATE (建立) 按鈕 (PS5™ 主機上)
- 10 遊戲模式 LED (藍色、紅色或綠色)
- 11 PS 按鈕
- 12 OPTIONS 按鈕 (PS4™ 主機和 PS5™ 主機上)
- 13 固定系統
- 14 金屬緊固螺絲
- 15 電源線 (歐標/美標/英標.....)
- 16 電源配接器
- 17 USB 連接線: USB-C (17a) 轉 USB-A (17b) 連接線



18 大螺紋孔（用於安裝固定系統和緊固螺絲）

19 鉤環式緊固件線夾

20 電源配接器接頭

21 方向盤的 USB-C 接頭

22 Mini-DIN 接頭，用於連接 Thrustmaster（圖馬思特）變速器、手煞或集線器（另售）

23 用於連接踏板組的 RJ12 接頭

## 警告

在使用此產品之前，請仔細閱讀並保管好本手冊以備日後參考之用。



### 警告 - 觸電

- \* 請將本產品置於乾燥的位置，切勿將其暴露在灰塵或陽光中。
- \* 切勿扭曲或拉扯接頭和連接線。
- \* 切勿讓任何液體濺到本產品或其連接器上。
- \* 切勿造成本產品短路。
- \* 切勿拆散本產品；切勿將其投入火中，亦勿將其暴露在高溫環境中。
- \* 請務必使用方向盤隨附的電源線，切勿使用其他電源線。
- \* 如果電源線或其接頭損壞、裂開或斷裂，請勿使用該連接線。
- \* 請務必將電源線正確插入到電氣插座中，並正確連線到位於方向盤底座背面的接頭。
- \* 切勿拆開方向盤：內部沒有任何可由使用者維修的零部件。任何維修工作均須由製造商、其授權代表或持證技工執行。
- \* 僅使用製造商指定的固定系統/配件。
- \* 如果方向盤工作異常（如果出現任何異常的聲音、過熱或有異味），應立即停止使用，從電氣插座上斷開電源線，並斷開其他連接線。
- \* 如果長時間不使用方向盤，請從電氣插座上斷開電源線。
- \* 電氣插座必須位於裝置附近，且必須方便拆卸電源線。



僅使用使用者手冊中列出的電源。

### 電源配接器說明

發佈的資訊	值	單位
製造商名稱或商標、工商註冊號和地址	<b>GUILLEMOT CORPORATION S.A.</b> 414 196 758 Rennes Place du Granier BP 97143 35571 Chantepie Cedex 法國	
型號	<b>A481-1852590D</b>	
輸入電壓	<b>100 - 240</b>	V
輸入交流電頻率	<b>50 - 60</b>	Hz
輸出電壓	<b>18.5</b>	V DC
輸出電流	<b>2.6</b>	A
輸出功率	<b>47.9</b>	W
平均工作效率	<b>87.8</b>	%
低負載時的效率 (10%)	<b>87.8</b>	%
空載電耗	<b>0.10</b>	W



## 通氣孔

切勿堵住方向盤底座上的任何通氣孔。為獲得最佳通風效果，請務必遵循以下幾點：

- \* 將方向盤底座置於距離任何牆面至少 10 cm 的位置。
- \* 切勿將底座置於任何狹小空間內。
- \* 切勿覆蓋底座。
- \* 避免通氣孔上堆積灰塵。



為安全起見，切勿赤腳或  
僅穿襪子操作踏板。

如因未穿鞋操作踏板組而造成任何傷害，THRUSTMASTER®（圖馬思特）對此概不負責。



## 警告 - 因力回饋和重複運動造成的傷害

使用力回饋方向盤玩遊戲可能會造成肌肉或關節疼痛。為避免這些問題：

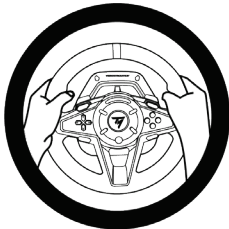
- \* 避免長時間玩遊戲。
- \* 每玩一小時後休息 10 到 15 分鐘。
- \* 如果手、手腕、手臂、腳或腿有任何疲勞或疼痛的感覺，應停止玩遊戲，休息幾個小時後再玩。
- \* 如果再玩時仍然存在上述症狀或疼痛感，應立即停止玩遊戲並諮詢醫生。
- \* 放到兒童夠不到的區域。
- \* 玩遊戲期間，應始終將雙手正確放在方向盤上，手不要完全離開方向盤。
- \* 玩遊戲期間，切勿將手或手指放在踏板下方或踏板組附近任何位置。
- \* 校準和玩遊戲期間，切勿將手或手臂穿過方向盤的開孔。
- \* 務必按照本手冊的說明將方向盤底座固定到位。



本產品只能由年滿 14 歲的使用者操作



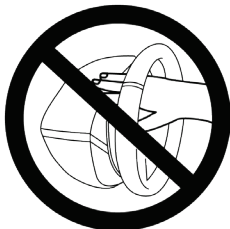
務必



切勿



切勿



**警告—玩遊戲時存在的踏板組夾傷危險**

- \* 將踏板組放在兒童夠不到的區域。
- \* 玩遊戲時，切勿將手指放在踏板側邊或附近任何位置。
- \* 玩遊戲時，切勿將手指放在踏板後底座上或附近任何位置。
- \* 玩遊戲時，切勿將手指放在踏板前底座上或附近任何位置。

切勿



切勿



切勿



**警告—不玩遊戲時存在的踏板組夾傷危險**

- \* 將踏板組放在安全且兒童夠不到的位置。

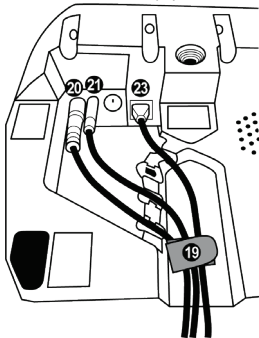
## 固定方向盤

### 將方向盤固定到檯面或桌面上

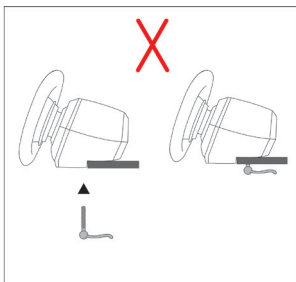
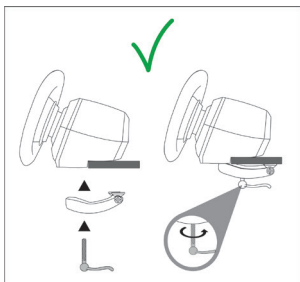
- 從方向盤底部開始連接：

- 電源配接器 (20)；
- 將快速拆卸 USB-C 連接線 (17a) 連接到 USB-C 接頭 (21)；
- T2PM 踏板組 (23)。

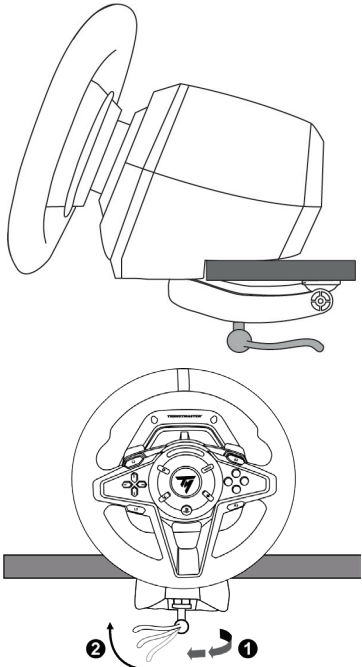
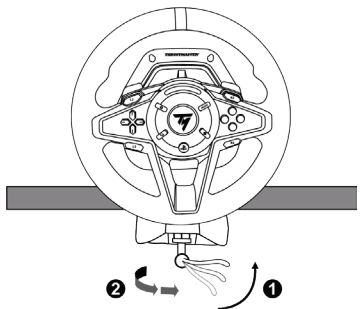
務必沿著不同連接線的路徑，使用鉤環式緊固件線夾 (19) 連接連接線。



1. 將方向盤置於桌台或任何水平、平整且穩定的表面上。
2. 將緊固螺絲 (14) 插入到固定系統 (13) 中，然後按下述方法緊固方向盤：逆時針擰轉螺絲，使螺絲進入方向盤底部的大螺孔 (18) 中，直至方向盤完全固定好為止。



**警告：**切勿在未將固定系統安放到位的情況下擰緊螺絲！  
這可能會損壞方向盤。

固定/拆卸	操作指示
<p>擰緊： 順時針 旋轉螺絲</p>	
<p>鬆開方法： 順時針 旋轉螺絲</p>	

## 安裝

### 自動校準方向盤和踏板組

將此方向盤插接到電氣插座並將方向盤的 USB 接頭連接到 PlayStation®5 主機、PlayStation®4 主機或 PC 之後，即可自動執行方向盤自校準。  
在自校準過程中，方向盤將快速地向左向右各旋轉 900 度，然後在中心位置停下。



**警告：**

切勿在自校準過程中觸摸方向盤！  
(這可能導致校準不正確和/或人員受傷。)

- 當踏板組連接到 PlayStation® 主機或 PC 時，或者在玩遊戲期間，切勿將踏板組連接到方向盤底座（或者將其從底座斷開）（這可能導致校準不正確）。  
務必先連接踏板組，再將方向盤連接到 PlayStation®5 主機、PlayStation®4 主機或 PC。  
完成方向盤校準並啟動遊戲之後，只需踩幾下踏板，即會自動校準踏板。



**警告：**

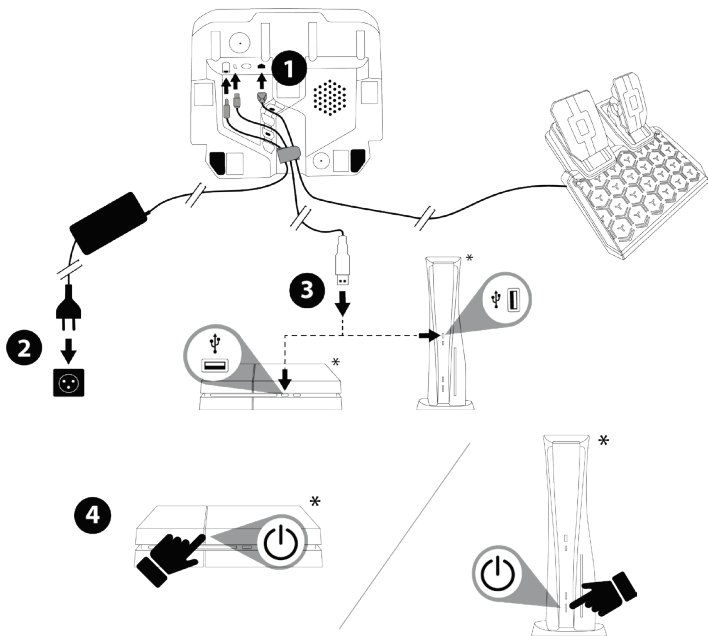
在賽車方向盤的自動校準階段或載入遊戲期間，  
切勿踩踏踏板！  
(這可能導致校準不正確。)

如果您的方向盤和/或踏板組運作不正常，或似乎校準不當：

- 關閉主機或 PC 並完全斷開方向盤。然後重新連接所有連接線（包括電源線和踏板組連接線），重新啟動主機（或 PC）和遊戲。
- 使用本使用者手冊下文（第 16 頁）列出的程式，將踏板組重新設定為預設模式。

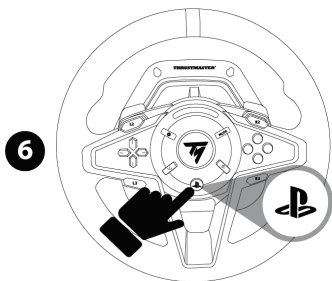
## 安裝到 PLAYSTATION®4 主機或 PLAYSTATION®5 主機上

1. 將 T2PM 踏板組連接到底座的 RJ12 接頭 (23)。
2. 將電源線和電源配接器插入電氣插座中。
3. 將 USB-C 連接線 (17a) 連接到底座的 USB-C 埠 (21)。  
將 USB-A 連接線 (17b) 連接到 PS4™ 主機或 PS5™ 主機上的 USB-A 埠。
4. 啟動 PlayStation®4 主機或 PlayStation®5 主機。方向盤將自動進行自校準。



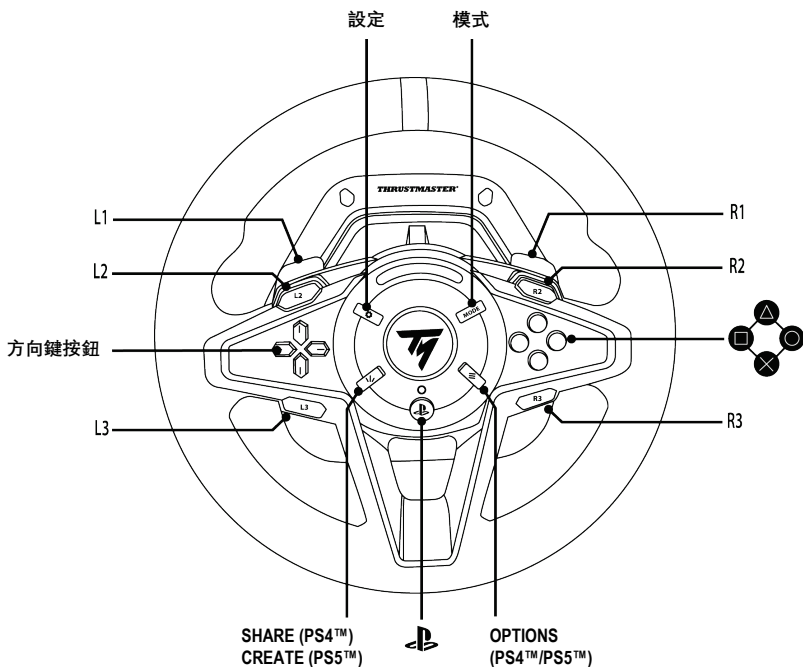
\* 不包括在套件內

- 如有必要，透過本使用者手冊下文（第 15 頁）列出的程式，選取您希望使用的遊戲模式。
- 按方向盤上的 PS 按鈕 (11) 並登入您的 PlayStation™Network 帳戶，以便能夠使用該方向盤。



**現在即可開始玩遊戲了!**

## 針對 PLAYSTATION®4 主機和 PLAYSTATION®5 主機進行對應



### 針對 PS4™ 主機或 PS5™ 主機的注意事項

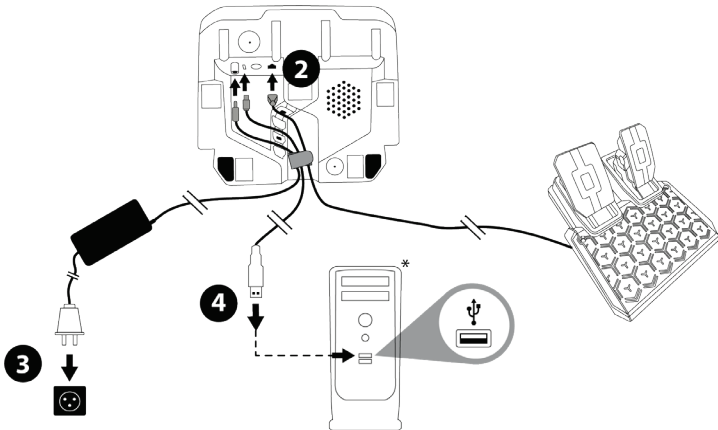
- 此方向盤在遊戲中被識別為 Thrustmaster T-GT 方向盤或 Thrustmaster Advanced Racer 方向盤。
- 4 個引擎速度顯示 LED 轉速指示燈 (7) 可在相容於 Thrustmaster SDK 的遊戲中正常工作。相容遊戲的列表詳見：<https://support.thrustmaster.com>（位於 Racing Wheels（方向盤）/ T128 / Games settings（遊戲設定）部分）。此列表將定期更新。
- 相容於 T128 的 PlayStation®4 主機和 PlayStation®5 主機遊戲的列表詳見：<https://support.thrustmaster.com>（位於 Racing Wheels（方向盤）/ T128 / Games settings（遊戲設定）部分）。此列表將定期更新。

## 安裝到 PC 上\*

\* 此產品對 PC 的相容性 (Windows® 10/11) 未經 Sony Interactive Entertainment 的測試或認可。

1. 瀏覽 <https://support.thrustmaster.com> 以下載適用於 PC 的驅動程式和 Force Feedback 軟體。按一下 **Racing Wheels (方向盤) / T128 / Drivers (驅動程式)**。
2. 將 T2PM 踏板組連接到底座的 RJ12 接頭 (23)。
3. 將電源線和電源轉接頭插入電氣插座中。
4. 將 USB-C 連接線 (17a) 連接到底座的 USB-C 埠 (21)。
5. 將 USB-A 連接線 (17b) 連接到 PC 上的 USB-A 埠。

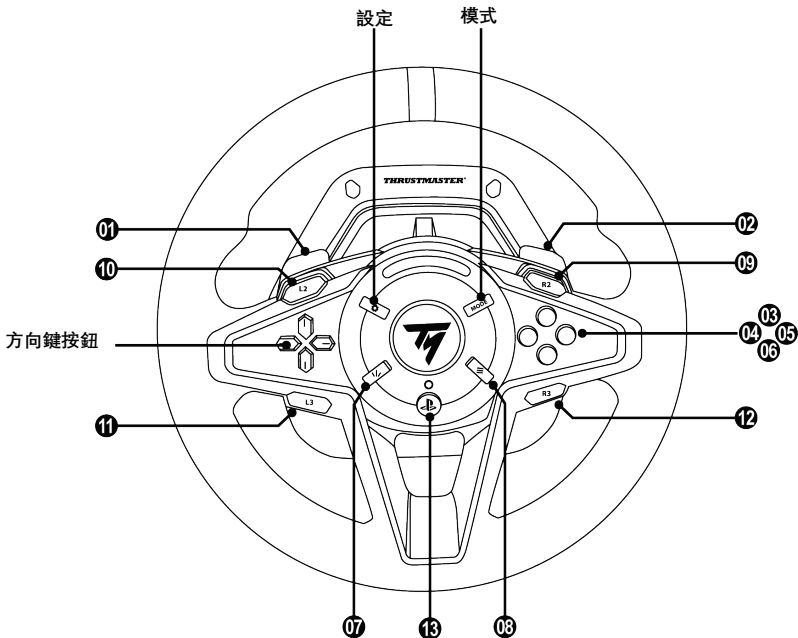
方向盤會自動執行自校準。



6. 選取開始 / Thrustmaster / FFB 方向盤 / 控制合，以開啟遊戲控制器視窗。遊戲控制器視窗將顯示方向盤的名稱 **Thrustmaster Advanced Mode Racer**，並且狀態為正常。
7. 按一下內容，在 T128 控制台中設定您的方向盤：
  - **測試裝置索引標籤**：可用於測試和檢視方向盤的操作按鈕、方向鍵按鈕和軸（以及踏板組的軸），並調節方向盤在 PC 遊戲中的旋轉角度。
  - **測試力回饋索引標籤**：可用於測試 12 種力回饋效應。
  - **調節力回饋索引標籤**：可用於調節力回饋效應在 PC 遊戲中的作用大小。



## 針對 PC 進行對應



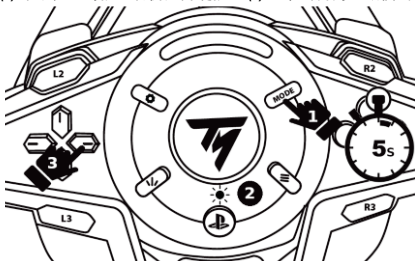
### 針對 PC 的注意事項：

- 在控制台和遊戲中，方向盤將以 **Thrustmaster Advanced Mode Racer** 的名稱顯示。
- 在啟動遊戲之前，請務必透過按一下**確定**，完全關閉遊戲控制器視窗。
- 在**遊戲控制器視窗**中所做的設定和調整僅儲存在 PC 上（因此，對 PS4™ 主機或 PS5™ 主機沒有任何影響）。
- 方向盤的韌體版本顯示在 T128 控制台索引標籤的右上角。
- 4 個引擎速度顯示 LED 轉速指示燈 (7) 可在相容於 Thrustmaster SDK 的 PC 遊戲中正常工作。相容遊戲的列表詳見：<https://support.thrustmaster.com>（位於 **Racing Wheels（方向盤） / T128 / Games settings（遊戲設定）** 部分）。此列表將定期更新。

## 選取遊戲模式

### 程式：

1. 長按 MODE 按鈕 (8) 5 秒鐘，直至 PS 按鈕上方的 LED (10) 開始閃爍。
2. 按住 MODE 按鈕 (8) 不放，同時按下右側方向鍵按鈕 (4) 選取所需的遊戲模式。



LED 顏色 	遊戲模式
藍色	PLAYSTATION® 標準相容性 (預設模式)
紅色	PLAYSTATION® 未來相容性
綠色	PC

選取遊戲模式並鬆開按鈕後：您所做的選取將儲存在方向盤的內建記憶體中。方向盤將會重啟並自校準。

### 注意：

- 在 PlayStation®4 主機和 PlayStation®5 主機上：按一下 PS 按鈕 (11) 並登入您的 PlayStation™Network 帳戶，以便 T128 能夠在執行自校準後正常工作。
- 相容於 PlayStation®4 主機、PlayStation®5 主機和 T128 (及其對應的遊戲模式) 的遊戲列表詳見：<https://support.thrustmaster.com> (位於 Racing Wheels (方向盤) / T128 / Games settings (遊戲設定) 部分)。此列表將定期更新。

## 踏板組模式

(每次重啟方向盤時顯示)

每次重啟方向盤時 (及其自校準之後), 4 個 LED 轉速指示燈 (7) 會顯示踏板組所設定的模式 (位置 and 類型)。

### 位置:

- 標準: 預設位置;
- 或對調: 在此位置時, 對調油門踏板和離合器踏板 — 此位置僅在使用三踏板式踏板組的情況下才可實現。

### 類型:

- T2PM-T3PA-T3PM, 未採用 Load Cell (荷重元) 技術: 預設類型;
- 或 T-LCM, 採用 Load Cell (荷重元) 技術。

踏板組模式	轉速指示燈 (7) 的閃爍
<b>預設模式</b> - 標準位置 - T2PM-T3PA-T3PM 類型	<b>預設模式</b> 
- 標準位置 - T-LCM 類型	
- 對調位置 - T2PM-T3PA-T3PM 類型	
- 對調位置 - T-LCM 類型	

## 將踏板組重新設定為預設模式

(在踏板組無法正常工作的情況下執行此操作)

程式：

- 快速按下設定按鈕 (6) 8 次。



4 個 LED 轉速指示燈 (7) 同時閃爍 5 次，表示重新設定為預設模式。



EN

FR

DE

NL

IT

ES

PT

RU

CS

TR

PL

日本語

繁體中文

한국어

العربية

## 對調踏板的位置

### (使用三踏板式踏板組的情況下)

預設情況下，T128 方向盤隨附雙踏板式 T2PM 踏板組。該款方向盤還相容於 Thrustmaster T3PA、T3PM 和 T-LCM 三踏板式踏板組 (另售)。

在使用三踏板式踏板組的情況下，可透過電子方式對調油門踏板和離合器踏板。

程式：

- 長按設定按鈕 (6) 5 秒鐘。



踏板對調會立即儲存在方向盤的內建記憶體中，4 個 LED 轉速指示燈 (7) 中之一會閃爍 3 次，以指示所選的位置。

油門踏板和離合器踏板	轉速指示燈 (7) 的閃爍
<b>預設模式</b> - 標準位置	A diagram of the steering wheel's LED indicator array. The leftmost indicator is highlighted in green. A circular icon with '3x' is positioned above it, indicating that this indicator flashes three times.
- 對調位置	A diagram of the steering wheel's LED indicator array. The middle indicator is highlighted in orange. A circular icon with '3x' is positioned above it, indicating that this indicator flashes three times.

## 將踏板組從 T2PM-T3PA-T3PM 類型手動切換到 T-LCM 類型 (反之亦然)

預設情況下，踏板組的模式為 **T2PM-T3PA-T3PM** 類型。

此模式儲存在方向盤底座的內建記憶體中並始終保持啟用狀態，除非將 T-LCM 踏板組連接到 RJ12 埠，或以手動方式切換模式。

程式：

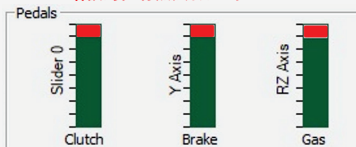
- 同時長按設定按鈕 (6) 和左換擋撥片 (-) 5 秒鐘。



模式	轉速指示燈 (7) 的閃爍
<b>預設模式</b> - T2PM-T3PA-T3PM 類型	
- T-LCM 類型	



對於 T-LCM 類型，T2PM、T3PA 和 T3PM 踏板組將無法正常工作。  
踏板的值將無法再達到 100%。



如需再次正常運作（並達到 100%），則須手動將方向盤底座的模式切換為 **T2PM-T3PA-T3PM** 類型。

## 透過方向盤手動變更旋轉角度 (僅適用於不自動調節旋轉角度的遊戲)

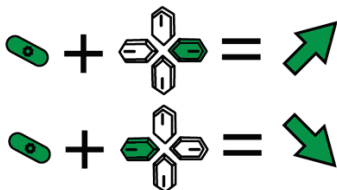
T128 方向盤的旋轉角度可在 270° - 900° 之間調節。

在許多遊戲中，方向盤的旋轉角度是自動設定的，並可根據所使用的車輛自行調節。在此類遊戲中，無法手動變更旋轉角度，此項功能由遊戲而非使用者進行管理。

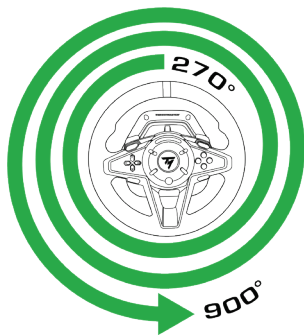
在其他遊戲中，可直接透過方向盤手動變更旋轉角度。

程式：

- 同時按下設定按鈕 (6) 和右方向鍵按鈕 (4)，可增大一級旋轉角度；或
- 同時按下設定按鈕 (6) 和左方向鍵按鈕 (4)，可減小一級旋轉角度。



4 種可能的級別	
選定的旋轉角度	轉速指示燈 (7)
270°	
360°	
540°	
900°	



**請注意：**系統不會永久儲存透過方向盤手動修改的旋轉角度。每次重啟遊戲或方向盤時均須執行此程式。

## 與設定按鈕 (6) 有關的其他功能

請瀏覽 <https://support.thrustmaster.com>。

按一下 **Racing Wheels (方向盤) / T128**，然後選取 **User manual (使用者手冊)** 或 **FAQ (常見問題解答)**。

## 更新方向盤的韌體

瀏覽 <https://support.thrustmaster.com>。

按一下 **Racing Wheels (方向盤) / T128 / Firmware (韌體)**，然後按照說明進行操作。

## 各種技巧和常見問題解答

瀏覽 <https://support.thrustmaster.com>。

按一下 **Racing Wheels (方向盤) / T128**，然後選取 **Manual (手冊)** 或 **FAQ (常見問題解答)**。

EN

FR

DE

NL

IT

ES

PT

RU

CS

TR

PL

日本語

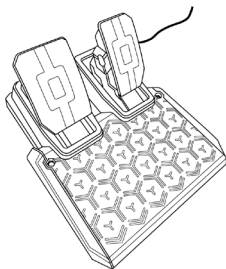
繁體中文

한국어

العربية



# T2PM 踏板組



## 警告

在使用此產品之前，請仔細閱讀並保管好本手冊以備日後參考之用。



為安全起見，切勿赤腳或僅穿襪子操作踏板。  
如因未穿鞋操作踏板組而造成任何傷害，THRUSTMASTER®（圖馬思特）對此概不負責。



## 警告—玩遊戲時存在的踏板組夾傷危險

- \* 將踏板組放在兒童夠不到的區域。
- \* 玩遊戲時，切勿將手指放在踏板側邊或附近任何位置。
- \* 玩遊戲時，切勿將手指放在踏板後底座上或附近任何位置。
- \* 玩遊戲時，切勿將手指放在踏板前底座上或附近任何位置。

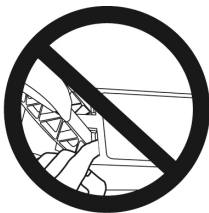
切勿



切勿



切勿

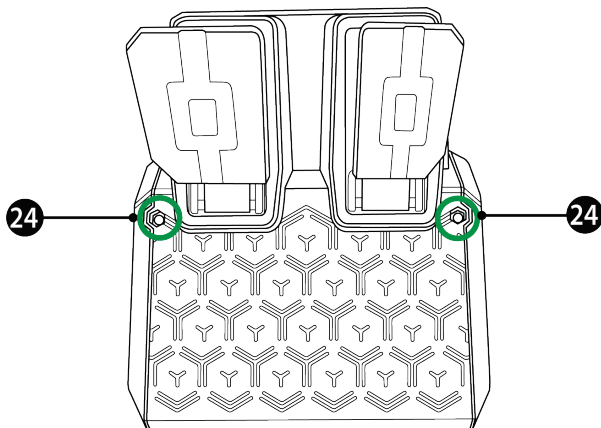


## 警告—不玩遊戲時存在的踏板組夾傷危險

- \* 將踏板組放在安全且兒童夠不到的位置。

## 將踏板組固定到支座上或駕駛艙上

可使用位於踏板組任意一側的 2 個穿孔 (24) 將踏板組固定到各種不同的支座 (另售) 上。




**如果您的方向盤和/或踏板組運作不正常，或似乎校準不當：**

關閉主機或 PC 並完全斷開方向盤。然後重新連接所有連接線 (包括電源線和踏板組連接線)，重新啟動主機 (或 PC) 和遊戲。

## 版權所有

© 2022 Guillemot Corporation S.A. 保留所有權利。圖馬思特® 為 Guillemot Corporation S.A 的註冊商標。

專用於 PlayStation®5 主機和 PlayStation®4 主機。

「」、「PlayStation」、「PS5」、「PS4」和「PlayStation Shapes Logo」是 Sony Interactive Entertainment Inc. 的註冊商標或商標。保留所有權利。所有其他商標均為其各自所有者的資產。製造和發行均獲得 Sony Interactive Entertainment Inc. 的授權。

產品內容、設計和規格如有變更，恕不另行通知，並可能會視乎國家而不同。中國製造。

## 環保建議

請遵從當地法規，正確回收電子類零件。

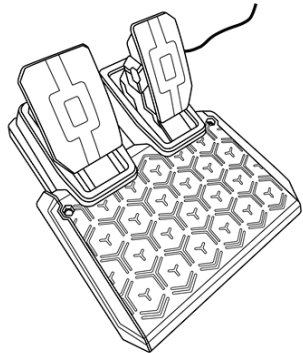
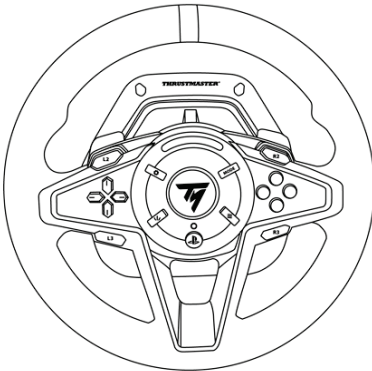
請妥善保存本說明書。產品顏色與裝飾可能有異。

使用本產品前請先拆除塑膠扣件與膠帶。

# T128

PlayStation®5 콘솔, PlayStation®4 콘솔 및 PC\*용

사용설명서

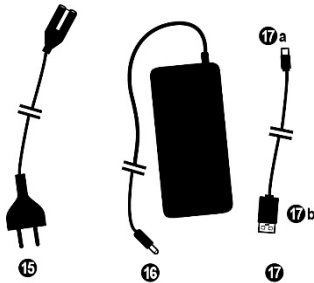
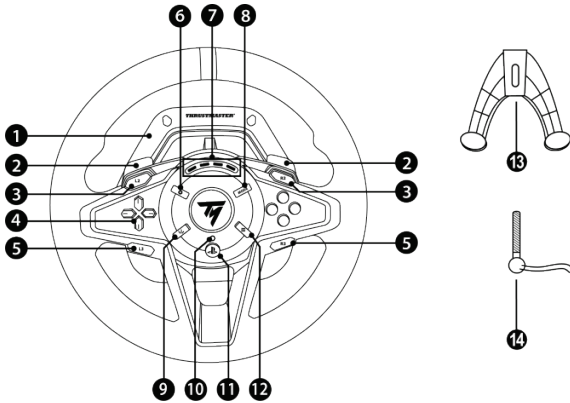


## 경고:

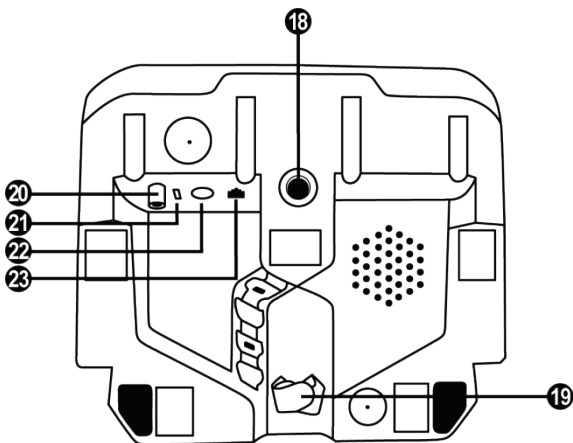
T128 레이싱 핸들 기능이 PlayStation®5 콘솔, PlayStation®4 콘솔 또는 PC 게임에서 올바르게 작동하도록 하려면 게임의 자동 업데이트를 설치해야 할 수도 있습니다 (콘솔 또는 PC가 인터넷에 연결되면 자동 업데이트 기능을 사용할 수 있습니다).

\*PC 호환성 (Windows® 10/11)은 Sony Interactive Entertainment가 테스트 또는 승인하지 않았습니다.

## 기술적 특징



- |  |                                       |
|--|---------------------------------------|
| 1 T128 베이스   | 10 게임 모드 LED (파란색, 적색 또는 녹색)          |
| 2 마그네틱 패들 시프터(- 및 +) 2 개                           | 11 PS 버튼                              |
| 3 L2 및 R2 버튼                                       | 12 PS4™ 콘솔 및 PS5™ 콘솔의 OPTIONS(옵션) 버튼  |
| 4 방향 버튼  | 13 부착 시스템                             |
| 5 L3 및 R3 버튼                                       | 14 금속 조임나사                            |
| 6 SETTINGS(설정) 버튼                                  | 15 전원 케이블(EU/U.S./UK...)              |
| 7 4 RPM LED (엔진 속도 디스플레이)                          | 16 전원 어댑터                             |
| 8 MODE 버튼  | 17 USB 케이블: USB-C (17a) - USB-A (17b) |
| 9 PS4™ 콘솔의 SHARE(공유) 버튼<br>PS5™ 콘솔의 CREATE(만들기) 버튼 |                                       |



**18** 대형 나사 구멍(부착 시스템 및 나사 조임에 사용)

**19** 벨크로 케이블 홀더

**20** 전원 어댑터 커넥터

**21** 레이싱 핸들의 USB-C 커넥터

**22** Thrustmaster 시프터, 핸드브레이크 또는 허브(별도 판매)를 위한 미니 DIN 커넥터

**23** 페달 세트용 RJ12 커넥터

## 경고

이 제품을 사용하기 전에, 이 설명서를 주의 깊게 읽고 나중에 참고할 수 있도록 잘 보관하시기 바랍니다.



### 경고 - 감전

- \* 본 제품은 건조한 곳에 보관해야 하며, 먼지나 태양광선에 노출시키지 마십시오.
- \* 커넥터 및 케이블을 비틀거나 잡아 당기지 마십시오.
- \* 본 제품이나 제품의 커넥터에 액체를 흘리지 마십시오.
- \* 제품을 단락(합선)시키지 마십시오.
- \* 절대 분해하지 마십시오. 볼 속에 제품을 던지지 마십시오. 제품을 고온에 노출시키지 마십시오.
- \* 핸들과 함께 제공된 전원 공급 케이블이 아닌 다른 케이블을 사용하지 마십시오.
- \* 전원 공급 케이블 또는 커넥터가 손상되거나, 갈라지거나 파손된 경우 케이블을 사용하지 마십시오.
- \* 전원 공급 케이블이 전원 콘센트에 올바르게 끼워져 있고, 레이스싱 핸들 베이스 뒷면의 커넥터에 올바르게 연결되어 있는지 확인하십시오.
- \* 레이스싱 핸들을 열지 마십시오. 핸들 내부에는 사용자가 수리할 수 있는 부분이 없습니다. 모든 수리는 제조사, 제조사가 승인한 대리점 또는 자격을 갖춘 기술자가 수행해야 합니다.
- \* 제조사가 지정한 부속 시스템/부속품만 사용하십시오.
- \* 핸들이 비정상적으로 작동하면(비정상적인 소리, 열, 또는 냄새가 나는 경우), 즉시 사용을 중단하고 콘센트에서 전원 케이블을 뽑고, 다른 케이블들의 연결을 해제하십시오.
- \* 레이스싱 핸들을 장시간 동안 사용하지 않을 경우에는 콘센트에서 전원 공급 케이블을 뽑으십시오.
- \* 전기 콘센트는 장비 근처에 위치해야 하며, 접근성이 좋아야 합니다.



사용 설명서에 나열된 전원 공급 장치만 사용하십시오.

### 전원 공급 어댑터 정보

제공되는 정보	값	단위
제조사명 또는 상표, 사업자 등록 번호 및 주소	<b>GUILLEMOT CORPORATION S.A.</b> 414 196 758 Rennes Place du Granier BP 97143 35571 Chantepie Cedex 프랑스	
모델 식별자	<b>A481-1852590D</b>	
입력 전압	<b>100 - 240</b>	V
입력 AC 주파수	<b>50 - 60</b>	Hz
출력 전압	<b>18.5</b>	V DC
출력 전류	<b>2.6</b>	A
출력 전력	<b>47.9</b>	W
평균 동작 효율	<b>87.8</b>	%
낮은 부하(10%) 효율	<b>87.8</b>	%
무부하시 소비 전력	<b>0.10</b>	W



## 공기 환기구

레이싱 핸들 베이스에 있는 어떠한 공기 환기구도 막지 마십시오. 최적의 환기를 위해 다음 사항을 준수하십시오:

- \* 핸들 베이스와 모든 벽면 사이에는 최소 10cm의 간격을 두십시오.
- \* 좁은 공간에 베이스를 두지 마십시오.
- \* 베이스를 덮지 마십시오.
- \* 공기 환기구에 먼지가 쌓이지 않게 하십시오.



**안전한 사용을 위해 맨발 또는 양말만 신은 상태로  
페달 세트를 사용하지 마십시오.**

**THRUSTMASTER®는 신발 없이 페달 세트를 조작함으로써 발생하는 부상에 대해 어떠한 책임도  
지지 않습니다.**



## 경고 - 포스 피드백(충격 또는 진동 체감) 및 반복적인 움직임으로 인한 부상 위험

포스 피드백(게임 기기에서 충격 또는 진동을 실제로 체감하는 기능) 레이싱 핸들을 이용해서 게임하는 경우 근육이나 관절의 통증을 가져올 수 있습니다. 이러한 문제를 예방하려면 다음 사항을 준수하십시오:

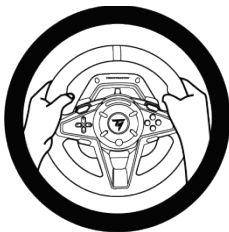
- \* 장시간 동안 게임하지 마십시오.
- \* 게임 중 한 시간 당 10 ~ 15 분 정도 휴식을 취하십시오.
- \* 손, 손목, 팔, 발, 다리가 피로하거나 통증이 있는 경우 게임을 중지한 후 두 세 시간 쉬었다가 다시 게임을 진행하십시오.
- \* 게임을 다시 시작할 때 위에 설명한 증상이나 통증이 계속되는 경우에는 게임을 중단한 후 의사와 상담하십시오.
- \* 어린이가 접근하지 못하게 하십시오.
- \* 게임 중에는 반드시 양손으로 올바르게 핸들을 잡되, 핸들에서 양손을 모두 놓으면 안 됩니다.
- \* 게임 중에는 양손이나 손가락을 절대 페달 밑에 두거나 페달 세트 근처에 두면 안 됩니다.
- \* 보정 작업 중이나 게임 중에 레이싱 핸들의 구멍 속에 손이나 팔을 넣으면 절대 안 됩니다.
- \* 레이싱 핸들 베이스는 이 사용설명서의 지시대로 제대로 고정시켜야 합니다.



14세 이상의 사용자만 사용할 수 있는 제품



항상 준수



절대 금지



절대 금지



**! 경고 - 게임 중 페달 세트에 끼일 위험**

- \* 페달 세트에 어린이가 접근하지 못하게 하십시오.
- \* 게임 중에 절대로 페달 위 또는 옆면 근처에 손가락을 놓지 마십시오.
- \* 게임 중에 절대로 페달의 뒷면 베이스 위 또는 근처에 손가락을 놓지 마십시오.
- \* 게임 중에 절대로 페달의 앞면 베이스 위 또는 근처에 손가락을 놓지 마십시오.

절대 금지



절대 금지



절대 금지



**! 경고 - 게임하지 않을 때 페달 세트에 끼일 위험**

- \* 항상 어린이의 손이 닿지 않는 안전한 장소에 보관하십시오.

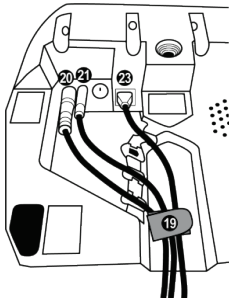
## 레이싱 핸들 부착하기

### 테이블이나 책상에 레이싱 핸들 부착하기

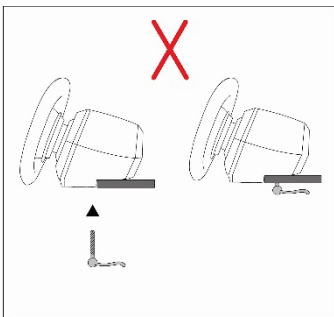
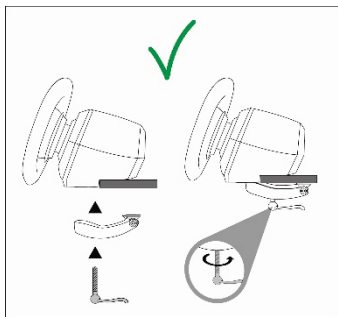
핸들 밑면에 연결하여 시작합니다.

- 전원 어댑터 (20);
- 빠른 릴리스 USB-C 케이블 (17a) USB-C 커넥터 (21);
- T2PM 페달 세트 (23).

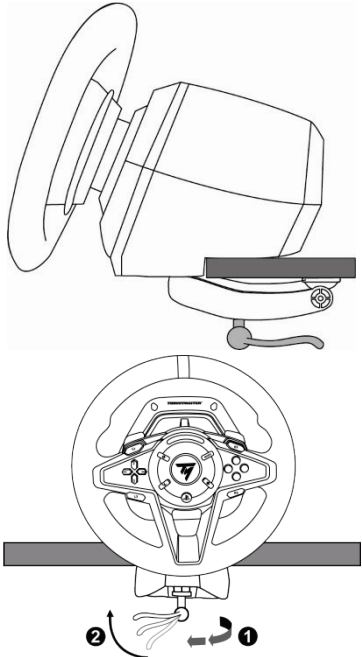
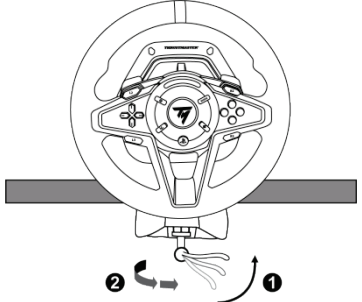
다른 케이블의 경로를 따르고 벨크로 케이블 홀더 (19)를 사용하여 케이블을 연결하십시오.



1. 레이싱 핸들을 테이블 또는 수평 상태의 평평하고 안정된 표면 위에 놓습니다.
2. 조임 나사 (14)를 부착 시스템 (13)에 삽입한 후 나사를 반시계 방향으로 돌려 기기를 조이면, 레이싱 핸들 아래에 있는 대형 나사 구멍 (18)에 끼워서 삽입할 수 있으며 삽입 후 핸들이 완전히 고정될 때까지 맞춰줍니다.



**경고: 부착 시스템 없이 제대로 나사만 조이지 마십시오!  
나사만 조이면 레이싱 핸들이 파손될 수 있습니다.**

부착/제거	방향
<p><b>조이기:</b></p> <p>나사를 돌립니다 반시계 방향</p>	
<p><b>풀기:</b></p> <p>나사를 돌립니다 시계방향</p>	

## 레이싱 핸들 및 페달 세트 자동 보정

레이싱 핸들의 플러그를 콘센트에 꽂고 레이싱 핸들의 USB 커넥터를 PlayStation®5 콘솔, PlayStation®4 콘솔 또는 PC 에 연결하면 핸들은 자동으로 자가 교정합니다.

이 과정에서 레이싱 핸들은 왼쪽에서 오른쪽으로 신속하게 회전하여 900 도 각도를 커버한 후 중앙에서 멈춥니다.



**경고:**

**자가보정 하는 동안 절대 레이싱 핸들을 건드리지 마십시오  
(이 경우 부정확한 보정 및/또는 부상이 발생할 수 있습니다.)**

PlayStation® 콘솔 또는 PC 에 연결되어 있거나 게임 플레이 중에 페달 세트를 레이싱 핸들 베이스에 연결(또는 베이스에서 분리)하지 마십시오(이로 인해 보정이 부적절해질 수 있음).

항상 페달 세트와 연결한 후 레이싱 핸들을 PlayStation®5 콘솔, PlayStation®4 콘솔 또는 PC 에 연결하십시오.

레이싱 핸들의 보정이 완료되고 게임이 시작된 후, 페달을 몇 번 누르면 자동으로 페달이 보정됩니다.



**경고:**

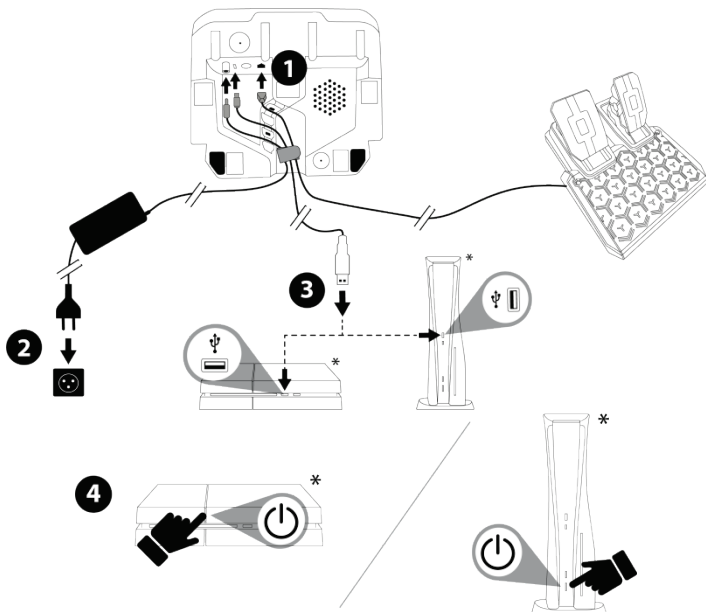
**레이싱 핸들의 자가 교정 단계 또는 게임을 불러오는 동안에는  
절대 페달을 누르지 마십시오  
(이로 인해 보정이 잘못될 수 있습니다.)**

**레이싱 핸들 및/또는 페달 세트가 올바르게 작동하지 않거나 보정이 잘못된 것으로 생각되는 경우:**

- 콘솔 또는 PC 의 전원을 끈 후, 레이싱 핸들을 완전히 분리하십시오. 그 후, 모든 케이블 (전원 공급 케이블 및 페달 세트 포함)을 다시 연결하고 콘솔 (또는 PC) 및 게임을 다시 시작하십시오.
- 이 사용 설명서에서 자세히 설명된 절차를 사용하여 **기본** 모드에서 페달 세트를 재구성하십시오(16 페이지).

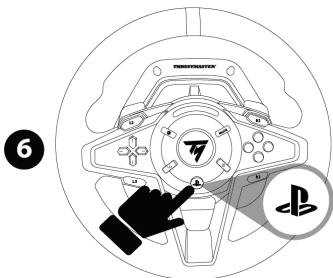
## PLAYSTATION®4 콘솔 또는 PLAYSTATION®5 콘솔에 설치

1. T2PM 페달 세트를 베이스의 RJ12 커넥터 (23)를 연결하십시오.
2. 전원 케이블 및 전원 어댑터를 콘센트에 연결하십시오.
3. USB-C 케이블 (17a)을 베이스의 USB-C 포트 (21)에 연결하십시오.  
USB-A 케이블 (17b)을 PS4™ 콘솔 또는 PS5™ 콘솔의 USB-A 포트에 연결합니다.
4. PlayStation®4 콘솔 또는 PlayStation®5 콘솔의 전원을 켭니다. 레이싱 핸들은 자동으로 자가 교정합니다.



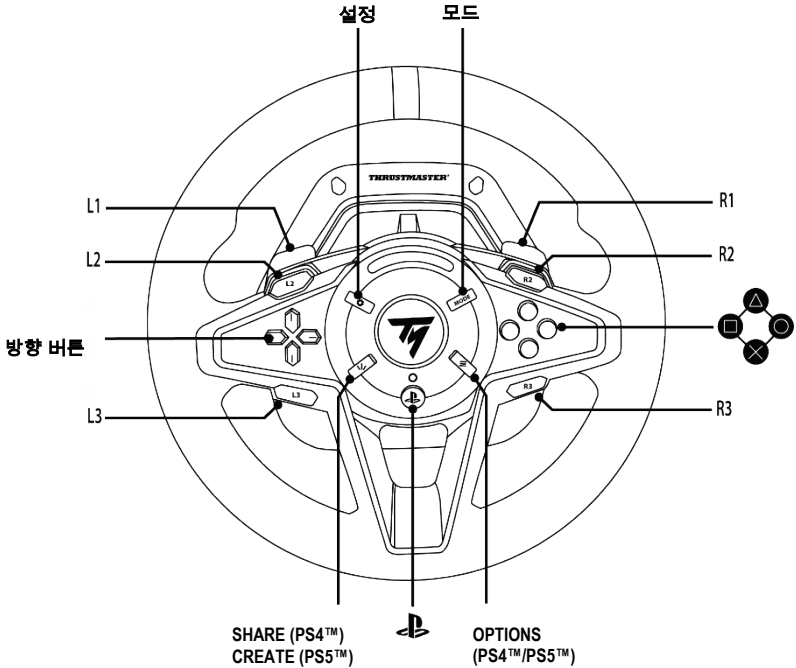
\*미포함

5. 필요하다면, 이 사용 설명서(15 페이지)에 설명된 절차에 따라 플레이할 게임 MODE 를 선택합니다.
6. 작동할 레이싱 핸들이 작동하도록 레이싱 핸들의 PS 버튼(11)을 눌러 PlayStation™Network 계정에 로그인합니다.



**이제 레이싱 준비가 되었습니다!**

# PLAYSTATION®4 콘솔 또는 PLAYSTATION®5 콘솔에 맵핑



## PS4™ 콘솔 또는 PS5™ 콘솔에 관한 참고 사항:

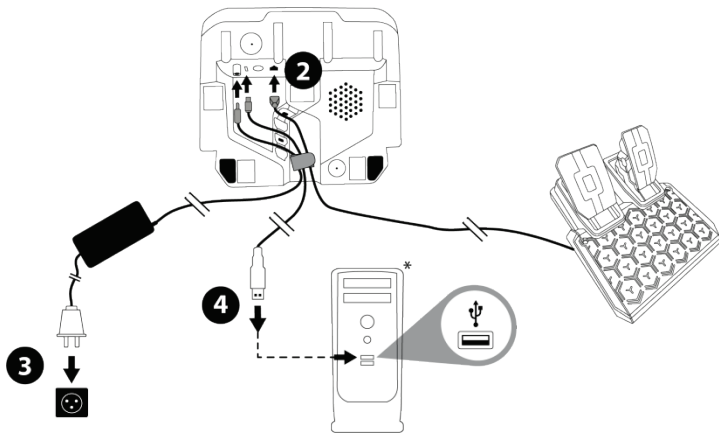
- 레이싱 핸들은 Thrustmaster T-GT 레이싱 핸들 또는 Thrustmaster Advanced Racer 레이싱 핸들로 게임에서 인식됩니다.
- 4 개의 엔진 속도 디스플레이 RPM LED (7)는 Thrustmaster SDK 와 호환 가능한 게임에서 작동합니다. 호환 가능한 게임 목록은 여기에서 확인할 수 있습니다.  
<https://support.thrustmaster.com> (스티어링 핸들 / T128 / 게임 설정 섹션). 이 목록은 정기적으로 업데이트됩니다.
- T128 레이싱 핸들과 호환 가능한 PlayStation®4 콘솔 및 PlayStation®5 콘솔의 게임 목록은 다음에서 확인할 수 있습니다. <https://support.thrustmaster.com> (스티어링 핸들 / T128 / 게임 설정 섹션). 이 목록은 정기적으로 업데이트됩니다.

## PC\*에 설치

\*PC 호환성 (Windows® 10/11)은 Sony Interactive Entertainment 가 테스트 또는 승인하지 않았습니다.

1. PC 용 드라이버와 포스 피드백 소프트웨어를 다운로드하려면 <https://support.thrustmaster.com> 을 방문하십시오. **Racing Wheels(스티어링 핸들) / T128 / Drivers(드라이버)**를 클릭합니다.
2. T2PM 페달 세트를 베이스의 RJ12 커넥터 (23)를 연결하십시오.
3. 전원 케이블 및 전원 어댑터를 콘센트에 연결하십시오.
4. USB-C 케이블 (17a)을 베이스의 USB-C 포트 (21)에 연결하십시오.
5. USB-A 케이블(17b)을 PC의 USB-A 포트에 연결합니다.

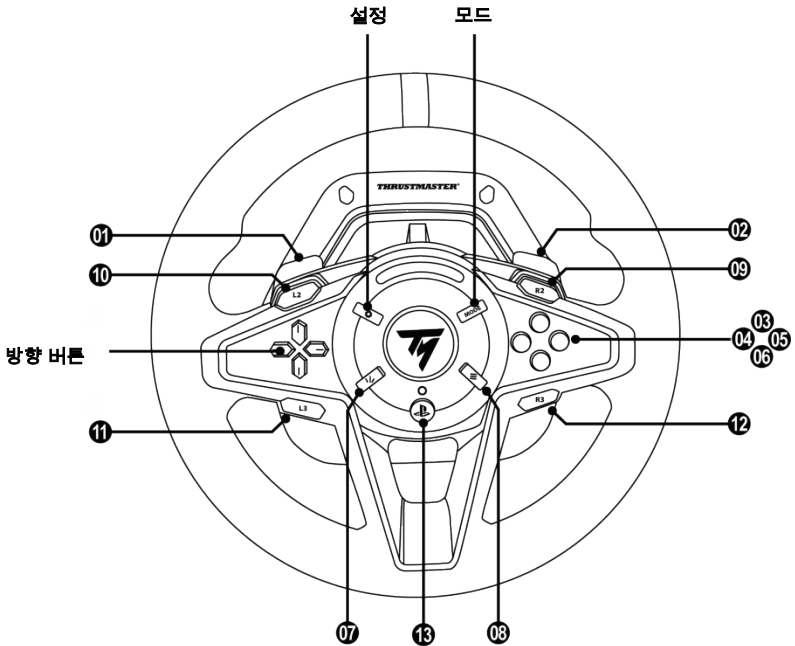
레이싱 핸들은 자동으로 자가 교정합니다.



6. **Start(시작) / Thrustmaster / FFB Racing Wheel(FFB 레이싱 핸들) / Control Panel(제어판)**을 선택하여 **Game Controllers(게임 컨트롤러)** 창을 여십시오. **게임 컨트롤러** 창에 레이싱 핸들 이름인 **Thrustmaster Advanced Mode Racer** 가 OK 상태와 함께 나타납니다.
7. **Properties(속성)**를 클릭하여 T128 제어판에서 레이싱 핸들의 환경을 설정합니다.
  - **Test Device(기기 테스트)** 탭: 레이싱 핸들의 동작 버튼, 방향 버튼 및 축(페달 세트 축 포함)을 테스트하고 볼 수 있으며 PC 게임에서 레이싱 핸들의 회전각을 조정할 수 있습니다.
  - **Test Forces(포스 테스트)** 탭: 12 가지 포스 피드백 효과를 테스트할 수 있습니다.
  - **Adjust Forces(포스 조정)** 탭: PC 게임에서 포스 피드백 효과의 파워를 조정할 수 있습니다.



## PC 용 매핑



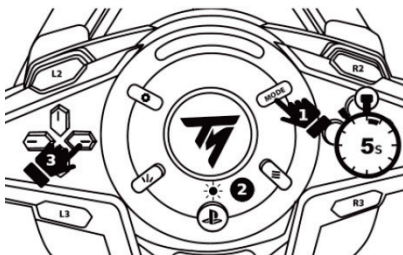
### PC 에 대한 주의사항:

- 제어판 및 게임에서 레이싱 핸들은 **Thrustmaster Advanced Mode Racer** 로 인식됩니다.
- 게임을 시작하기 전에 **OK** 를 눌러 **게임 컨트롤러** 창을 완전히 닫아야 함을 항상 명심하십시오.
- **Game Controllers(게임 컨트롤러)** 창에서 이루어진 설정과 조정은 PC 에만 저장됩니다(그러므로 PS4™ 콘솔 PS5™ 콘솔에 영향을 주지 않습니다).
- 레이싱 핸들의 펌웨어 버전은 T128 제어판 탭의 오른쪽 상단 모서리에 표시됩니다.
- 4 개의 엔진 속도 디스플레이 RPM LED (**7**)는 Thrustmaster SDK 와 호환 가능한 PC 게임에서 작동합니다. 호환 가능한 게임 목록은 여기에서 확인할 수 있습니다.  
<https://support.thrustmaster.com> (스티어링 핸들 / T128 / 게임 설정 섹션). 이 목록은 정기적으로 업데이트됩니다.

## 게임 모드 선택

### 절차:

1. PS 버튼 위에 있는 LED (10)가 깜빡이기 시작할 때 까지 MODE 버튼 (8)을 5 초 동안 길게 누릅니다.
2. MODE 버튼 (8)을 놓지 않고 동시에 오른쪽 방향 버튼 (4)을 눌러 게임 모드의 선택을 선택합니다.



LED 색상 	게임 모드
파란색	PLAYSTATION® 표준 호환성 (기본 모드)
적색	PLAYSTATION® 향후 호환성
녹색	PC

게임 모드가 선택하고 버튼을 놓습니다. 선택은 레이싱 핸들의 내부 메모리에 저장됩니다. 레이싱 핸들이 재시작하고 자가 교정합니다.

### 참고:

- PlayStation®4 콘솔 및 PlayStation®5 콘솔의 경우 자가 교정 후 T128 레이싱 핸들이 작동하려면 PS 버튼 (11)을 누르고 PlayStation™Network 계정에 로그인합니다.
- PlayStation®4 콘솔과 PlayStation®5 콘솔 및 T128(및 해당 게임 MODE)과 호환 가능한 게임 목록은 다음에서 확인할 수 있습니다. <https://support.thrustmaster.com> (스티어링 핸들 / T128 / 게임 설정 섹션). 이 목록은 정기적으로 업데이트됩니다.

## 페달 세트 모드

### (레이싱 핸들이 재시작할 때마다 표시됨)

레이싱 핸들이 재시작할 때마다(자가 교정 후) 4 개의 RPM LED (7)는 페달 세트가 구성된 모드(위치 및 유형)를 표시합니다.

#### 위치:

- 정상: 기본 위치.
- 또는 **반전**: 이 위치에서 역셀 페달 및 클러치 페달이 반전됩니다. 이 위치는 3 단 페달 세트가 있는 경우에만 가능합니다.

#### 유형:

- 로드 셀 기술이 없는 **T2PM-T3PA-T3PM**: 기본 유형.
- 또는 로드 셀 기술이 장착된 **T-LCM**.

페달 세트 모드	RPM LED (7)의 점멸
<p><b>기본 모드</b></p> <p>- 정상 위치</p> <p>- T2PM-T3PA-T3PM 유형</p>	<p><b>기본 모드</b></p>
<p>- 정상 위치</p> <p>- T-LCM 유형</p>	
<p>- 반전 위치</p> <p>- T2PM-T3PA-T3PM 유형</p>	
<p>- 반전 위치</p> <p>- T-LCM 유형</p>	

## 기본 모드에서 페달 세트 재구성 (페달 세트가 제대로 작동하지 않는 경우 수행됨)

절차:

- SETTINGS(설정) 버튼 (6)을 빠르게 8 번 누릅니다.



4개의 RPM LED (7)가 동시에 5번 점멸하여 기본 모드에서 재구성을 나타냅니다.



## 페달 위치 반전

### (3단 페달 세트를 사용하는 경우)

T128 레이싱 핸들은 기본적으로 2 단 T2PM 페달 세트와 함께 제공됩니다. 이 레이싱 핸들은 T3PA, T3PM 및 T-LCM 3 단 페달 세트(별도 판매)와도 호환 가능합니다.

3 단 페달 세트를 사용하는 경우 액셀 페달 및 클러치 페달을 전자적으로 반전시킬 수 있습니다.

#### 절차:

- **SETTINGS(설정)** 버튼 (6)을 5 초 동안 길게 누릅니다.



페달의 반전은 즉시 레이싱 핸들의 내부 메모리에 저장되며 4 개의 RPM LED (7) 중 하나가 3 번 점멸하여 선택한 위치를 나타냅니다.

액셀 페달 및 클러치 페달	RPM LED (7)의 점멸
<b>기본 모드</b> - 정상 위치	A curved bar with four segments. The leftmost segment is green. A circular icon with '3x' is positioned above the bar.
- 반전 위치	A curved bar with four segments. The leftmost segment is orange. A circular icon with '3x' is positioned above the bar.

# 페달 세트를 T2PM-T3PA-T3PM 유형에서 T-LCM 유형으로 수동으로 토글링 (및 그 반대)

기본으로 페달 세트의 모드는 T2PM-T3PA-T3PM 유형입니다.

이 모드는 레이싱 핸들 베이스의 내부 메모리에 저장되며 T-LCM 페달 세트를 RJ12 포트에 연결한 경우 또는 수동으로 모드를 토글링한 경우를 제외하고는 항상 활성화 상태를 유지합니다.

절차:

- SETTINGS(설정) 버튼 (6) 및 좌측 페달 시프터(-)를 5초동안 동시에 길게 누릅니다.

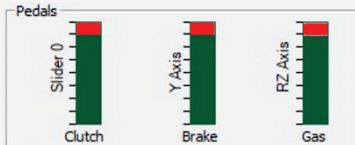


모드	RPM LED (7)의 점멸
<b>기본 모드</b> - T2PM-T3PA-T3PM 유형	
- T-LCM 유형	



T-LCM 유형으로 T2PM, T3PA 및 T3PM 페달 세트는 제대로 작동하지 않습니다.

페달의 가치는 더 이상 100% 달하지 않습니다.



다시 제대로 작동하려면(및 100% 가치에 도달하려면) 레이싱 핸들 베이스의 모드를 수동으로 T2PM-T3PA-T3PM 유형으로 토글해야 합니다.

## 레이싱 핸들을 통해 회전각 수동 변경 (회전각이 자동으로 조정되지 않는 게임에서만 가능)

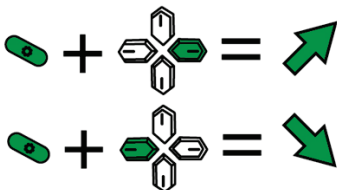
T128 레이싱 핸들은 270° ~ 900° 사이에서 회전각을 조절할 수 있습니다.

많은 게임에서 레이싱 핸들의 회전각은 자동이며 사용되는 자동차에 따라 자동으로 조정됩니다. 이러한 게임에서 이 회전각은 사용자가 아닌 게임이 관리하기 때문에 수동으로 변경할 수 없습니다.

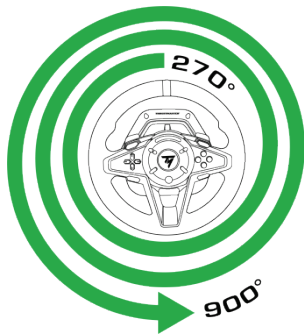
다른 게임에서 레이싱 핸들을 통해 회전각을 직접 수동으로 변경할 수 있습니다.

절차:

- **SETTINGS(설정) 버튼 (6)** 및 **우측 방향 버튼 (4)**을 동시에 눌러 회전각을 한 단계 **높여줍니다.**  
또는
- **SETTINGS(설정) 버튼 (6)** 및 **좌측 방향 버튼 (4)**을 동시에 눌러 회전각을 한 단계 **낮춰줍니다.**



4	
	RPM LED (7)
270°	
360°	
540°	
900°	



**비고:** 레이싱 핸들을 통해 수동으로 변경된 회전각은 영구적으로 저장되지 않습니다. 이 절차는 게임 또는 레이싱 핸들을 재시작할 때마다 수행해야 합니다.

## 설정 버튼과 관련된 다른 기능 (6)

<https://support.thrustmaster.com> 을 확인해 주십시오.

스티어링 핸들 / T128 을 클릭한 후 **매뉴얼** 또는 **FAQ** 를 선택합니다.

## 레이싱 핸들 펌웨어 업데이트

<https://support.thrustmaster.com> 사이트를 방문하십시오.

스티어링 핸들 / T128 / 펌웨어를 클릭한 후 지침을 따르십시오.

## 다양한 팁과 FAQs

<https://support.thrustmaster.com> 사이트를 방문하십시오.

스티어링 핸들 / T128 을 클릭한 후 **매뉴얼** 또는 **FAQ** 를 선택합니다.

EN

FR

DE

NL

IT

ES

PT

RU

CS

TR

PL

日本語

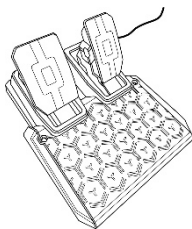
繁體中文

한국어

العربية



# T2PM 페달 세트



## 경고

이 제품을 사용하기 전에, 이 설명서를 주의 깊게 읽고 나중에 참고할 수 있도록 잘 보관하시기 바랍니다.



안전한 사용을 위해 맨발 또는 양말만 신은 상태로  
페달 세트를 사용하지 마십시오.

THRUSTMASTER®는 신발 없이 페달 세트를 조작함으로써 발생하는 부상에 대해 어떠한 책임도  
지지 않습니다.



### 경고 - 게임 중 페달 세트에 끼일 위험

- \* 페달 세트에 어린이가 접근하지 못하게 하십시오.
- \* 게임 중에 절대로 페달 위 또는 옆면 근처에 손가락을 놓지 마십시오.
- \* 게임 중에 절대로 페달의 뒷면 베이스 위 또는 근처에 손가락을 놓지 마십시오.
- \* 게임 중에 절대로 페달의 앞면 베이스 위 또는 근처에 손가락을 놓지 마십시오.

절대 금지



절대 금지



절대 금지

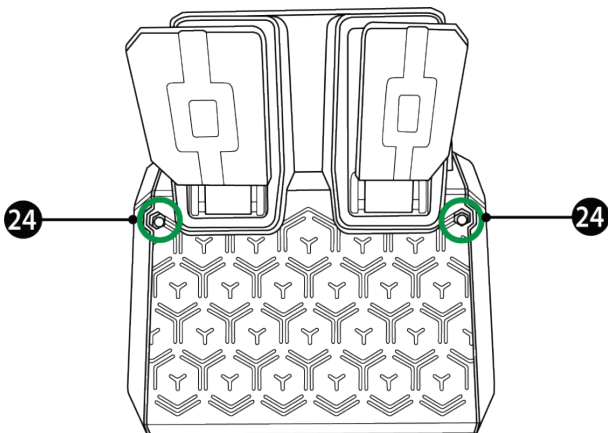


### 경고 - 게임하지 않을 때 페달 세트에 끼일 위험

- \* 페달 세트는 항상 어린이의 손이 닿지 않는 안전한 장소에 보관하십시오.

## 지지대 또는 콕핏에 페달 세트 부착하기

페달 세트 양쪽에 있는 두 개의 구멍 (24)을 사용하여 페달 세트를 다양한 지지대(별도 판매)에 부착할 수 있습니다.



**레이싱 핸들 및/또는 페달 세트가 올바르게 작동하지 않거나 보정이 잘못된 것으로 생각되는 경우:**

콘솔 또는 PC의 전원을 끈 후, 레이싱 핸들을 완전히 분리하십시오. 그 후, 모든 케이블 (전원 공급 케이블 및 페달 세트 포함)을 다시 연결하고 콘솔 (또는 PC) 및 게임을 다시 시작하십시오.

## COPYRIGHT

© 2022 Guillemot Corporation S.A. 모든 권리 보유. Thrustmaster®는 Guillemot Corporation S.A.의 등록상표입니다.

PlayStation®5 및 PlayStation®4 전용입니다.

“PS”, “PlayStation”, “PS5”, “PS4” 및 “PlayStation Shapes Logo”는 Sony Interactive Entertainment Inc.의 등록상표 또는 상표입니다. 모든 권리를 보유합니다. 모든 상표는 각 소유주의 재산입니다. Sony Interactive Entertainment Inc. 라이선스 하에 제조 및 유통.

도면은 법적 구속력이 없습니다. 설명서의 내용, 설계 및 사양은 예고 없이 변경될 수 있으며, 국가마다 다르게 적용될 수 있습니다. 제조국: 중국

## 환경 보호 권장 사항

전기 및 전자 장비에 관한 현지의 재활용 법률을 준수해 주십시오.

이 설명서를 보관하십시오. 색상 및 장식은 달라질 수 있습니다.

플라스틱 고정부품 및 접착제는 제품 사용 전에 제거해야 합니다.

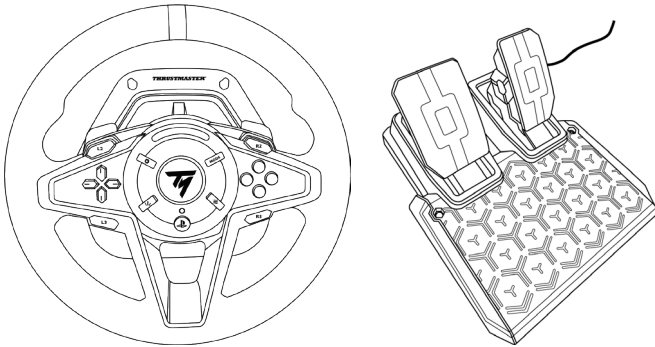
[www.thrustmaster.com](http://www.thrustmaster.com)



# T128

لأجهزة PlayStation®5 ، PlayStation®4 وأجهزة الكمبيوتر\*

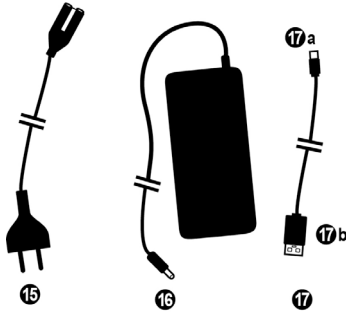
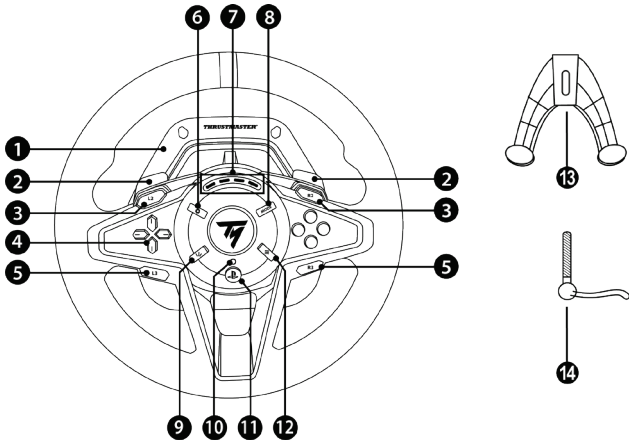
دليل المستخدم



## تحذير:

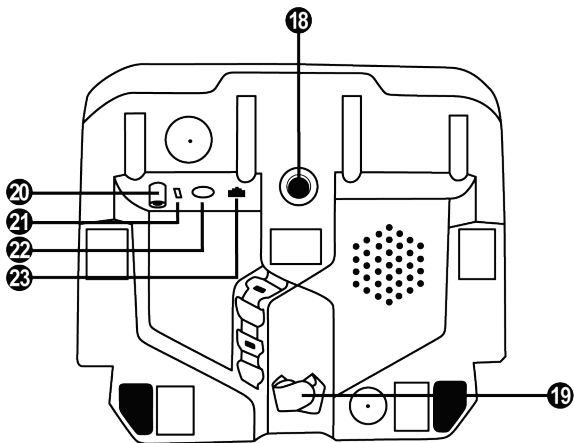
للتأكد من أن عجلة السباق T128 تعمل بشكل صحيح مع ألعاب PlayStation®5 و PlayStation®4 وألعاب الكمبيوتر الشخصي، قد تتم مطالبتك بتثبيت التحديثات التلقائية للعبة (متاحة عندما تكون وحدة التحكم أو الكمبيوتر الشخصي متصلاً بالإنترنت).

\* لم يتم اختبار التوافق مع الكمبيوتر الشخصي (Windows® 10/11) أو اعتماده بواسطة Sony Interactive Entertainment.



- 10 مصباح LED لوضع اللعبة (أزرق أو أحمر أو أخضر)  
 11 زر PS  
 12 زر OPTIONS على أجهزة PS4™ و PS5™  
 13 نظام تثبيت  
 14 برغي تثبيت معنني  
 15 كابل طاقة (أوروبا/أمريكا أو بريطانيا...)  
 16 محول طاقة  
 17 كابل USB-A - (17a) USB-C - (17b) USB

- 1 قاعدة T128  
 2 من مبدلات الحركة المغناطيسية (- و +)  
 3 أزرار L2 و R2  
 4 أزرار اتجاهات  
 5 أزرار L3 و R3  
 6 زر الإعدادات  
 7 مصابيح RPM (عرض سرعة المحرك)  
 8 زر MODE  
 9 زر SHARE على أجهزة PS4™  
 زر CREATE على أجهزة PS5™



- |    |  |    |  |
|----|--|----|--|
| 21 | موصل USB-C لعجلة السباق  | 18 | فتحة ملولبة كبيرة (لنظام التثبيت وبراغي التثبيت) |
| 22 | موصل Mini-DIN لنافذ الحركة   | 19 | حامل كابل قفل وحلقة وصل                          |
|    | Thrustmaster، أو المكبح اليدوي، أو الموزع (يتم البيع بصورة منفصلة) | 20 | موصل محوّل الطاقة                                |
| 23 | موصل RJ12 لمجموعة الدواسات   |    |  |

## تحذير

يرجى قراءة هذا الدليل بحرص قبل استخدام هذا المنتج، والاحتفاظ به للرجوع إليه لاحقاً.

### تحذير - الصعق الكهربائي

- \* احتفظ بالمنتج في مكان جاف ولا تعرّضه للغبار أو لضوء الشمس المباشر.
  - \* لا تقم بلف أو جذب الموصلات أو الكابلات.
  - \* لا تسكب أي سوائل على المنتج أو توصيلاته.
  - \* لا تُحدث دائرة قصر كهربائية للمنتج.
  - \* لا تلمس المنتج في النار، ولا تعرّضه لدرجات حرارة مرتفعة.
  - \* لا تستخدم كابل إمداد طاقة بخلاف ذلك المتوفر مع عجلة السباق الخاصة بك.
  - \* لا تستخدم كابل إمداد الطاقة إذا كان الكابل أو موصلاته تالفة أو ممزّقة أو مكسورة.
  - \* تأكد من توصيل كابل إمداد الطاقة بمأخذ تيار كهربائي بصورة صحيحة، وتوصيله بصورة صحيحة بالموصل الموجود في الجزء الخلفي من قاعدة عجلة السباق.
  - \* لا تفتح عجلة السباق: لا توجد أجزاء يمكن صيانتها بواسطة المستخدم بداخلها. يجب تنفيذ أي إصلاحات بواسطة الشركة المصنعة، أو ممثلها المعتمد أو فني مؤهل.
  - \* لا تستخدم سوى أنظمة/ملحقات التثبيت المحددة بواسطة الشركة المصنعة.
  - \* إذا كانت عجلة السباق تعمل بصورة غير طبيعية (إذا كان يصدر منها أي أصوات غير طبيعية أو حرارة أو رائحة)، فتوقف عن استخدامها على الفور، وافصل كابل إمداد الطاقة من مأخذ التيار الكهربائي وافصل الكابلات الأخرى.
  - \* إذا كنت لن تستخدم عجلة السباق لمدة طويلة، فافصل كابل إمداد الطاقة من مأخذ التيار الكهربائي.
  - \* يجب أن يكون مأخذ التيار الكهربائي بالقرب من المعدات ويجب أن يكون من السهل الوصول إليه.
- ⚠ لا تستخدم سوى إمداد الطاقة المدرج في تعليمات المستخدم.

### معلومات عن محوّل إمداد الطاقة

الوحدة	القيمة	المعلومات المنشورة
	<b>GUILLEMOT CORPORATION S.A.</b> 414 196 758 Rennes Place du Granier BP 97143 Chantepie Cedex 35571 France	اسم الشركة المصنعة أو علامتها التجارية، ورقم السجل التجاري، وعنوانها
	<b>A481-1852590D</b>	معرّف الطراز
فولت	240 - 100	فولتية الإدخال
هرتز	60 - 50	تردد إدخال التيار المتردد
فولت تيار مباشر	18.5	فولتية الإخراج
أمبير	2.6	تيار الإخراج
واط	47.9	طاقة الإخراج
%	87.8	متوسط الكفاءة النشطة
%	87.8	الكفاءة عند التحميل المنخفض (10%)
واط	0.10	استهلاك الطاقة بدون تحميل

## فُتحات التهووية



- تأكد من عدم سد أي من فتحات التهوية في قاعدة عجلة السباق. للحصول على التهوية المثالية، احرص على القيام بما يلي:
- \* ضع قاعدة العجلة على مسافة 10 سم على الأقل من أسطح أي جدران.
  - \* لا تضع القاعدة في أي أماكن ضيقة.
  - \* لا تغط القاعدة.
  - \* لا تسمح بتراكم أي أتربة على فتحات التهوية.



لأغراض السلامة، تجنب تمامًا استخدام مجموعة الدواسات إذا كنت حافي القدمين

أو عند ارتدائك جوارب فقط.

تخلي® THRUSTMASTER مسؤوليبتها تمامًا في حالة الإصابة الناتجة عن استخدام مجموعة الدواسات دون ارتداء أحذية.



## تحذير – إصابات بسبب رد الفعل الاهتزازي والحركات المتكررة

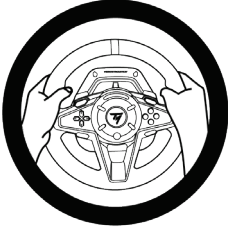
- قد يتسبب اللعب باستخدام عجلة سباق تشمل على رد فعل اهتزازي في حدوث آلام بالعضلات أو المفاصل. لتفادي أي مشكلات:
- \* تجنب اللعب لفترات طويلة.
  - \* استرح لمدة تتراوح بين 10 دقائق و 15 دقيقة بعد كل ساعة لعب.
  - \* إذا شعرت بأي إجهاد أو ألم في يديك أو معصميك أو ذراعيك أو قدميك، فتوقف عن اللعب واسترح لبضع ساعات قبل بدء اللعب مرة أخرى.
  - \* إذا استمرت الأعراض أو الآلام المشار إليها عند مواصلة اللعب، فتوقف عن اللعب واستشر طبيبك.
  - \* احتفظ بها بعيدًا عن متناول الأطفال.
  - \* أثناء اللعب، ضع يديك على العجلة بصورة صحيحة دائمًا بدون تركها تمامًا.
  - \* أثناء اللعب، لا تضع يديك أو أصابعك أبدًا أسفل الدواسات أو بالقرب من مجموعة الدواسات.
  - \* أثناء المعالجة واللعب، لا تضع يدك أبدًا أو ذراعك عبر الفتحات في عجلة السباق.
  - \* تأكد من أن قاعدة عجلة السباق مثبتة بإحكام، وفقًا للتعليمات الواردة في هذا الدليل.



لا يجوز التعامل مع المنتج إلا من قبل المستخدمين الذين تبلغ أعمارهم 14 عامًا أو أكبر



دائمًا



أبداً



أبداً



**تحذير - خطر التعرّض للالتحشار بواسطة مجموعة الدواسات عند اللعب**



- \* حافظ على مجموعة الدواسات بعيدًا عن متناول الأطفال.
- \* أثناء اللعب، لا تضع أصابعك أبدًا على جوانب الدواسات أو بالقرب منها.
- \* أثناء اللعب، لا تضع أصابعك أبدًا على القاعدة الخلفية للدواسات أو بالقرب منها.
- \* أثناء اللعب، لا تضع أصابعك أبدًا على القاعدة الأمامية للدواسات أو بالقرب منها.

أبداً



أبداً



أبداً



**تحذير - خطر التعرّض للالتحشار بواسطة مجموعة الدواسات أثناء عدم اللعب**

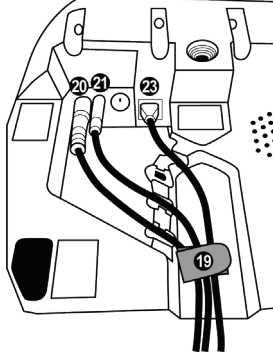


- \* خزّن مجموعة الدواسات في مكان آمن، واحتفظ بها بعيدًا عن متناول الأطفال.

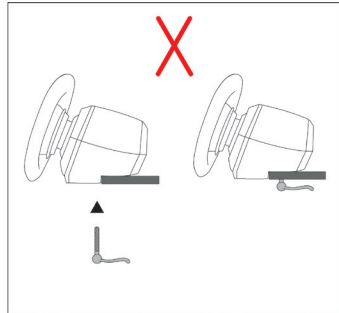
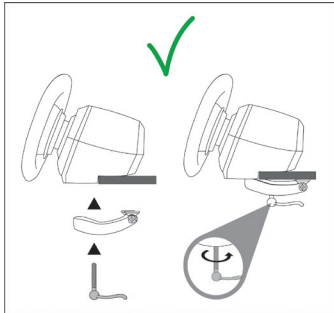
تثبيت عجلة السباق بطاولة أو سطح مكتب

ابدأ عن طريق التوصيل من أسفل العجلة:

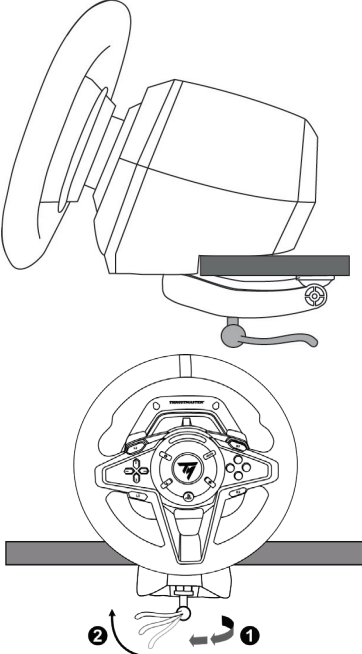
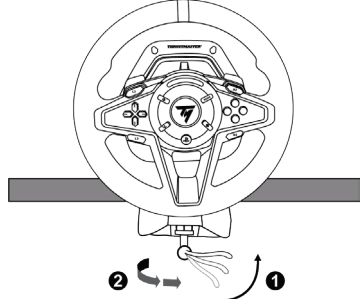
- محوّل الطاقة (20)؛
  - كابل USB-C سريع التحريير (17a) بموصل (21) USB-C؛
  - مجموعة الدواسات T2PM (23).
- احرص على اتباع مسارات الكابلات المختلفة وتوصيل الكابلات باستخدام حامل الكابل المثبت من نوع الشد والعقد (19).



1. ضع عجلة السباق على طاولة أو أي سطح آخر أفقي ومسطح وثابت.
2. أدخل برغي التثبيت (14) في نظام التثبيت (13)، ثم احكم ربط الجهاز عن طريق لف البرغي عكس اتجاه عقارب الساعة، بحيث يدخل في الفتحة الملولبة الكبيرة (18) الموجودة أسفل عجلة السباق، حتى تثبت العجلة بصورة مثالية.



**تحذير:** لا تحكم ربط البرغي وحده أبدًا بدون وجود نظام التثبيت في مكانه!  
قد يؤدي ذلك إلى تلف عجلة السباق.

الاتجاه	التثبيت / الفك
	<p><b>إحكام الربط:</b> أدر البرغي عكس اتجاه عقارب الساعة</p>
	<p><b>للتحرير:</b> أدر البرغي في اتجاه عقارب الساعة</p>

## المعايرة التلقائية لعجلة السباق ومجموعة الدواسات

تقوم عجلة القيادة بالمعايرة ذاتيًا بشكل تلقائي عند توصيل عجلة السباق بمأخذ تيار كهربائي وتوصيل موصل USB الخاص بعجلة السباق بجهاز PlayStation®5، PlayStation®4 أو بالكمبيوتر. أثناء هذه المرحلة، ستدور عجلة السباق بسرعة تجاه اليسار واليمين، وتغطي زاوية بمقدار 900 درجة، قبل أن تتوقف في المنتصف.



**تحذير:**

لا تلمس عجلة السباق أبدًا أثناء مرحلة المعايرة الذاتية!  
(قد يؤدي ذلك إلى معايرة غير صحيحة و/أو إصابات شخصية.)

لا تقم أبدًا بتوصيل مجموعة الدواسات بقاعدة عجلة السباق (أو تفصلها منها) عندما تكون متصلة بوحدة تحكم PlayStation® أو بالكمبيوتر الشخصي أو خلال اللعبة (قد يؤدي ذلك إلى معايرة غير صحيحة).  
قم دائمًا بتوصيل مجموعة الدواسات قبل توصيل عجلة السباق بوحدة تحكم PlayStation®5 و PlayStation®4 أو بالكمبيوتر الشخصي.  
بمجرد اكتمال معايرة عجلة السباق وبدء اللعب، تتم معايرة الدواسات بصورة تلقائية بعد عدد قليل من الضغطات.



**تحذير:**

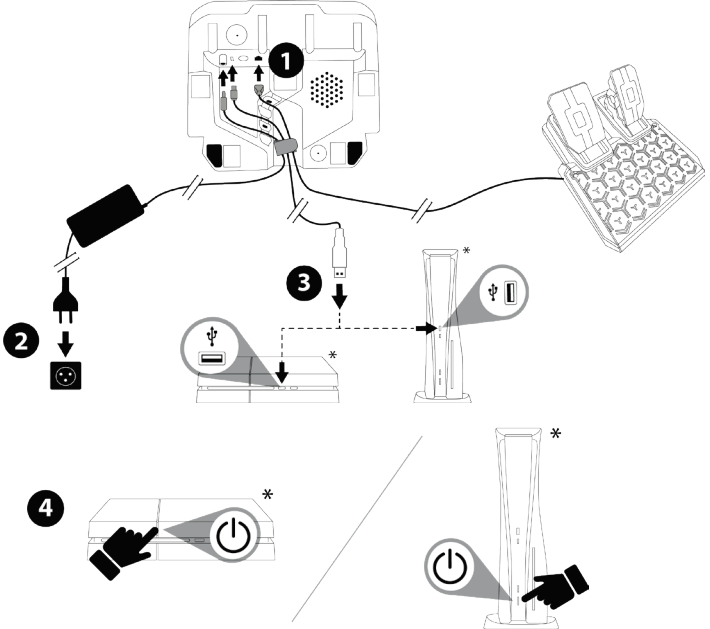
لا تضغط على الدواسات أبدًا أثناء مرحلة المعايرة الذاتية  
لعجلة السباق أو أثناء تحميل اللعبة!  
(قد يؤدي ذلك إلى معايرة غير صحيحة.)

إذا لم تعمل عجلة السباق و/أو مجموعة الدواسات لديك بصورة صحيحة، أو إذا كانت تبدو معايرة بصورة غير دقيقة:

- أوقف تشغيل جهاز الألعاب أو الكمبيوتر لديك وافصل عجلة السباق بالكامل. أعد إثرها توصيل الكابلات (بما في ذلك كابل إمداد الطاقة ومجموعة الدواسات)، وأعد تشغيل جهازك (أو الكمبيوتر الخاص بك) ولعبتك.
- أعد تهيئة مجموعة الدواسات في الوضع الافتراضي باستخدام الإجراء المبين بشكل أكبر في دليل المستخدم هذا (الصفحة 16).

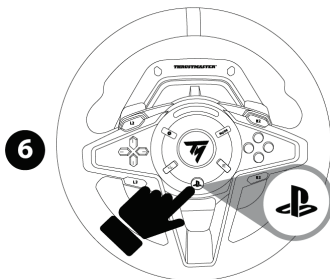
## التركيب على أجهزة PlayStation®4 أو PlayStation®5

1. وصل مجموعة دوابات T2PM بموصل RJ12 (23) الموجود في القاعدة.
2. قم بتوصيل كابل الطاقة ومحول الطاقة بأخذ تيار كهربائي.
3. وصل كابل USB-C (17a) بمنفذ USB-C (21) الموجود في القاعدة. وصل كابل USB-A (17b) بمنفذ USB-A في جهاز PS4™ أو PS5™.
4. قم بتشغيل جهاز PlayStation®4 أو PlayStation®5 الخاص بك. ستم معيرة عجلة السباق تلقائيًا.



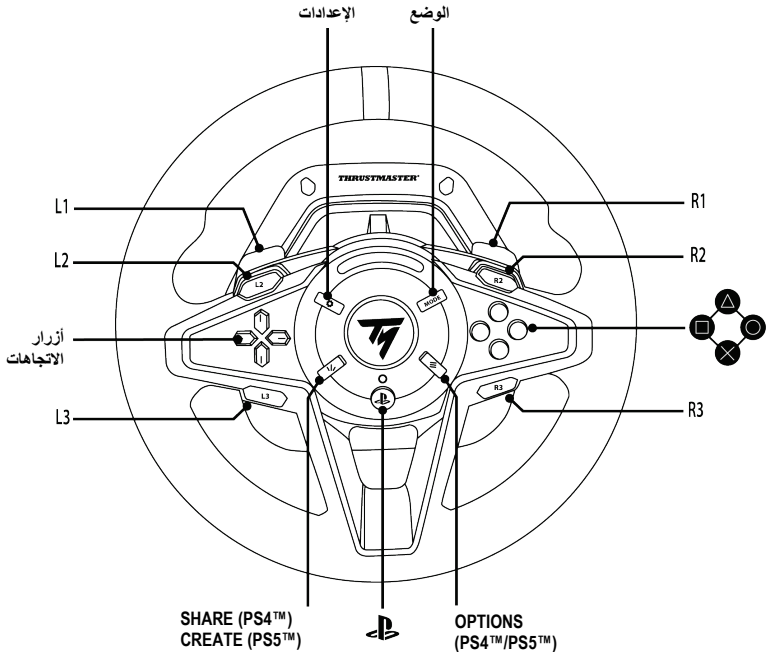
\* غير مشمول

5. إذا لزم الأمر، حدد وضع اللعبة الذي تريد اللعب فيه من خلال الإجراء الموضح في دليل المستخدم هذا (في الصفحة 15).
6. اضغط على زر PS في عجلة السباق (11)، وقم بتسجيل الدخول إلى حساب PlayStation™Network الخاص بك حتى تعمل عجلة السباق.



انت الآن جاهز للعب!

## التخطيط لأجهزة PlayStation®4 أو PlayStation®5



### ملاحظات عن أجهزة PS4™ أو PS5™:

- يتم التعرف على عجلة السباق في الألعاب كعجلة سباق Thrustmaster T-GT أو عجلة سباق Thrustmaster Advanced Racer.

- تعمل شاشة عرض سرعة المحرك الأربعة (7) LEDs في الألعاب المتوافقة مع Thrustmaster SDK. تتوفر قائمة الألعاب المتوافقة هنا: <https://support.thrustmaster.com> (في قسم Racing Wheels / T128 / Games Settings). يتم تحديث هذه القائمة بانتظام.

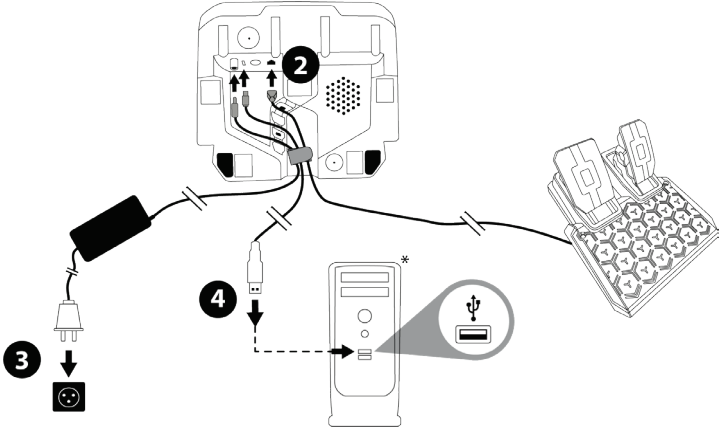
- قائمة ألعاب أجهزة PlayStation®4 و PlayStation®5 المتوافقة مع عجلة السباق T128 متوفرة هنا: <https://support.thrustmaster.com> (في قسم Racing Wheels / T128 / Games Settings). يتم تحديث هذه القائمة بانتظام.

## التثبيت على أجهزة الكمبيوتر\*

\* لم يتم اختبار التوافق مع الكمبيوتر الشخصي (Windows® 10/11) أو اعتماده بواسطة Sony Interactive Entertainment.

1. تفصل زيارة <https://support.thrustmaster.com> لتنزيل برامج التشغيل وبرنامج Force Feedback لأجهزة الكمبيوتر. انقر على **Racing Wheels / T128 / Drivers**.
2. وصل مجموعة دواسات T2PM بموصل RJ12 (23) الموجود في القاعدة.
3. قم بتوصيل كابل الطاقة ومحول الطاقة بماخذ تيار كهربائي.
4. وصل كابل USB-C (17a) بمنفذ USB-C (21) الموجود في القاعدة.
5. وصل كابل USB-A (17b) بمنفذ USB-A في جهاز الكمبيوتر.

تقوم عجلة السباق الخاصة بك بالمعايرة الذاتية تلقائيًا.

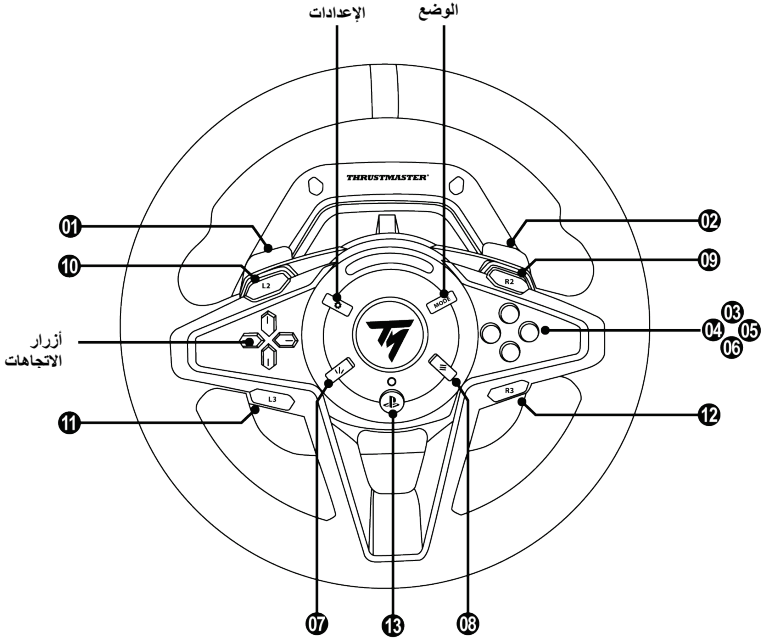


6. اختر نافذة **Start / Thrustmaster / FFB Racing Wheel / Control Panel**. تعرض نافذة **Game Controllers** اسم عجلة السباق تعرض نافذة **Game Controllers** اسم عجلة السباق جنبًا إلى جنب مع حالة **OK**.

7. انقر على **Properties** لتهيئة عجلة السباق الخاصة بك في لوحة تحكم T128:

- علامة **تيوبيب Test Device**: تتيح لك اختبار وعرض أزرار المهام وأزرار الاتجاه والمحاور لعجلة السباق (بالإضافة إلى محاور مجموعة الدواسات)، وضبط زاوية دوران عجلة السباق في ألعاب الكمبيوتر.
- علامة **تيوبيب Test Forces**: تتيح لك اختبار 12 تأثيرًا من تأثيرات رد الفعل الاهتزازي.
- علامة **تيوبيب Adjust Forces**: تتيح لك ضبط قوة تأثيرات رد الفعل الاهتزازي في ألعاب الكمبيوتر.





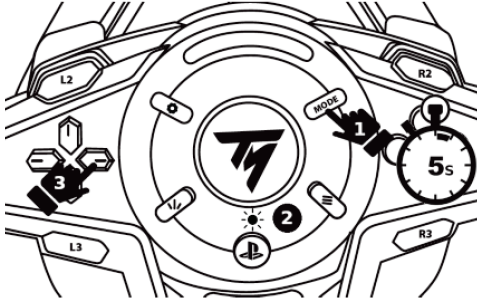
#### ملاحظات عن أجهزة الكمبيوتر:

- في لوحة التحكم وفي الألعاب، يتم التعرف على عجلة السباق باسم **Thrustmaster Advanced Mode Racer**.
- تذكر دائما إغلاق نافذة **Game Controllers** في اللعبة تماما بالنقر فوق **OK** قبل بدء لعبتك.
- يتم حفظ الإعدادات والتعديلات التي تم إجراؤها في نافذة **Game Controllers** على جهاز الكمبيوتر الخاص بك فقط (وبالتالي لن يكون لها أي تأثير على أجهزة PS4™ أو PS5™).
- يظهر إصدار البرنامج الثابت الخاص بعجلة السباق في الجزء العلوي الأيمن من علامات تبويب لوحة تحكم T128.
- تعمل شاشة عرض سرعة المحرك الأربعة (7) LEDs في ألعاب الكمبيوتر المتوافقة مع **Thrustmaster SDK**. تتوفر قائمة الألعاب المتوافقة هنا: <https://support.thrustmaster.com> (في قسم / **Racing Wheels / T128 / Games Settings**). يتم تحديث هذه القائمة بانتظام.

## اختيار وضع اللعبة

### الإجراء:

1. اضغط مع الاستمرار على الزر MODE (8) لمدة 5 ثوانٍ، حتى يبدأ مؤشر LED (10) الموجود أعلى زر PS في الوميض.
2. دون ترك زر MODE (8)، اضغط في نفس الوقت على زر الاتجاه الأيمن (4) لتحديد اختيارك لوضع اللعبة.



وضع اللعبة	LED لون
PLAYSTATION® التوافق القياسي (الوضع الافتراضي)	أزرق
PLAYSTATION® التوافق المستقبلي	أحمر
الكمبيوتر	أخضر

بمجرد تحديد وضع اللعبة، اترك الأزرار. يتم حفظ اختيارك في الذاكرة الداخلية لعجلة السباق. يتم إعادة تشغيل عجلة السباق والمعايرة الذاتية.

### ملاحظات:

- على أجهزة PlayStation®4 و PlayStation®5 : حتى تعمل عجلة السباق T128 بعد المعايرة الذاتية، اضغط على زر PS (11) وسجل الدخول لحساب PlayStation™Network الخاص بك.

- تتوفر قائمة الألعاب المتوافقة مع أجهزة PlayStation®4 و PlayStation®5 و T128 (ووضع اللعبة الملائم لها) هنا: <https://support.thrustmaster.com> (في قسم Racing Wheels / T128 / Games Settings). يتم تحديث هذه القائمة بانتظام.

## الموضع لمجموعة الدواسات (يظهر في كل مرة يتم فيها إعادة تشغيل عجلة السباق)

في كل مرة يتم فيها إعادة تشغيل عجلة السباق (وبعد معابرتها الذاتية)، تشير مصابيح RPM LED الأربعة (7) إلى الموضع (المكان والنوع) الذي ضبظت عليه عجلة السباق الخاصة بك.

### الموضع:

• عادي: الموضع الافتراضي؛

• أو معكوس: في هذا الموضع، يتم قلب دواسة المسرع والقابط - وهذا الموضع ممكن فقط مع - مجموعة دواسات مكوّنة من 3 دواسات.

### النوع:

• T2PM-T3PA-T3PM دون تقنية Load Cell: الموضع الافتراضي؛

• أو T-LCM مع تقنية Load Cell.

وميض مصابيح LED لعرض سرعة المحرك (7)	الموضع لمجموعة الدواسات
<p><b>الموضع الافتراضي</b></p>	<p><b>الموضع الافتراضي</b></p> <p>- الموضع العادي</p> <p>- نوع T2PM-T3PA-T3PM</p>
	<p>- الموضع العادي</p> <p>- نوع T-LCM</p>
	<p>- الموضع المعكوس</p> <p>- نوع T2PM-T3PA-T3PM</p>
	<p>- الموضع المعكوس</p> <p>- نوع T-LCM</p>

إعادة تهيئة مجموعة الدواسات في الوضع الافتراضي  
(يتم تنفيذها في حالة عدم عمل مجموعة الدواسات بشكل صحيح)

الإجراء:

- اضغط بسرعة على زر الإعدادات (6) 8 مرات.



تومض مؤشرات LED الأربعة لعرض سرعة المحرك (7) خمس مرات في وقت واحد للإشارة إلى إعادة التهيئة في الوضع الافتراضي.



## قلب موضع الدواسات (إذا كنت تستخدم مجموعة دواسات مكونة من 3 دواسات)

تأتي عجلة السباق T128 مرفقة بدواسة T2PM ثنائية الدواسة يتم ضبطها افتراضياً. عجلة السباق هذه متوافقة أيضاً مع مجموعات دواسات T3PM، Thrustmaster T3PA، و T-LCM ثلاثية الدواسات (تباع بشكل منفصل).

إذا كنت تستخدم مجموعة دواسات مكونة من 3 دواسات، فمن الممكن قلب دواسة التسارع والقباض إلكترونياً.

### الإجراء:

- اضغط مع الاستمرار على زر الإعدادات (6) لمدة 5 ثوانٍ.



يتم حفظ انعكاس الدواسات فوراً في الذاكرة الداخلية لعجلة السباق، ويومض واحد من مصابيح LED لعرض سرعة المحرك الأربعة (7) ثلاث مرات للإشارة إلى الموضع المختار.

وميض مصابيح LED لعرض سرعة المحرك (7)	مسرّع ودواسات القباض
	<b>الموضع الافتراضي</b> - الموضع العادي
	- الموضع المعكوس

## تبدیل مجموعة الدواسات يدويًا من نوع T2PM-T3PA-T3PM إلى T-LCM (والعكس بالعكس)

بشكل افتراضي، يكون وضع مجموعة الدواسات هو النوع T2PM-T3PA-T3PM.

يتم حفظ هذا الوضع في الذاكرة الداخلية لقاعدة عجلة السباق ويظل دائمًا ممكنًا، باستثناء في حالة توصيل مجموعة الدواسات T-LCM على منفذ RJ12، أو تبديل الوضع يدويًا.

الإجراء:

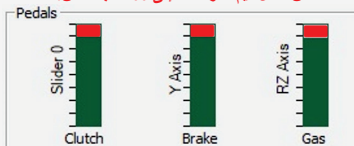
- اضغط مع الاستمرار على زر الإعدادات (6) ومبدل الحركة الأيسر (-) لمدة 5 ثوانٍ.



الوضع	وميض مصابيح LED لعرض سرعة المحرك (1)
الوضع الافتراضي - نوع T2PM-T3PA-T3PM	
- نوع T-LCM	



مع النوع T-LCM، لن تعمل مجموعات الدواسات T2PM و T3PA و T3PM بشكل صحيح.  
لن تصل قيم الدواسات إلى 100% بعد الآن.



للعمل بشكل صحيح مرة أخرى (والوصول إلى 100%)، يجب عليك تبديل الوضع يدويًا لقاعدة عجلة السباق إلى النوع T2PM-T3PA-T3PM.

## تغيير زاوية الدوران يدويًا عبر عجلة السباق (ممكن فقط في الألعاب التي لا يتم فيها تعديل زاوية الدوران تلقائيًا)

تتميز عجلة السباق T128 بزاوية دوران قابلة للتعديل بين 270° و 900°.

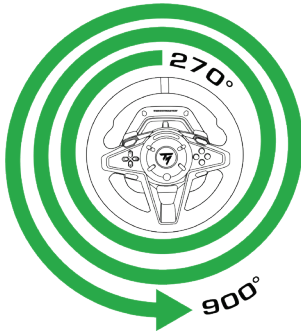
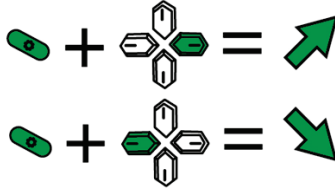
في العديد من الألعاب، تكون زاوية دوران عجلة السباق تلقائية، ويتم تعديلها من تلقاء نفسها وفقًا للسيارة المستخدمة. في هذه الألعاب، لا يمكن تغيير زاوية الدوران هذه يدويًا، حيث تتم إدارة هذه الوظيفة بواسطة اللعبة وليس بواسطة المستخدم.

في الألعاب الأخرى، من الممكن تغيير زاوية الدوران يدويًا مباشرة عبر عجلة السباق.

### الإجراء:

- اضغط في نفس الوقت على زر الإعدادات (6) وزر الاتجاه الأيمن (4) لزيادة زاوية الدوران بخطوة واحدة؛ أو

- اضغط في نفس الوقت على زر الإعدادات (6) وزر الاتجاه الأيسر (4) لتقليل زاوية الدوران بخطوة واحدة.



4 مستويات ممكنة	
مصابيح LED لعرض سرعة المحرك (7)	زاوية الدوران المختارة
	270°
	360°
	540°
	900°

**يرجى الملاحظة:** زاوية الدوران المعدلة يدويًا عبر عجلة السباق لا يتم حفظها بشكل دائم. يجب تنفيذ هذا الإجراء في كل مرة يتم فيها إعادة تشغيل اللعبة أو عجلة السباق.

وظائف أخرى متعلقة بزر الإعدادات (6)  
يرجى زيارة الموقع الإلكتروني <https://support.thrustmaster.com>.  
أنتق Racing Wheels / T128 وإثرها Manual أو FAQ.

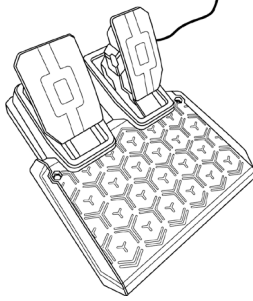
تحديث البرنامج الثابت لعجلة السباق  
تفضل بزيارة <https://support.thrustmaster.com>.  
أنتق Racing Wheels / T128 / Firmware، واتبع التعليمات.

النصائح المتنوعة والأسئلة الشائعة  
تفضل بزيارة <https://support.thrustmaster.com>.  
أنتق Racing Wheels / T128 وإثرها Manual أو FAQ.

- FR
- EN
- DE
- NL
- IT
- ES
- PT
- RU
- CS
- TR
- PL
- 日本語
- 繁體中文
- 한국어



# T2PM مجموعة دواسات



## تحذير

يرجى قراءة هذا الدليل بحرص قبل استخدام هذا المنتج، والاحتفاظ به للرجوع إليه لاحقاً.



لأغراض السلامة، تجنب تماماً استخدام مجموعة الدواسات إذا كنت حافي القدمين أو عند ارتدائك جوراب فقط.  
تخلي **THRUSTMASTER®** مسؤوليتها تماماً في حالة الإصابة الناتجة عن استخدام مجموعة الدواسات دون ارتداء أحذية.



**تحذير** – خطر التعرض للاحتشار بواسطة مجموعة الدواسات عند اللعب

- \* حافظ على مجموعة الدواسات بعيداً عن متناول الأطفال.
- \* أثناء اللعب، لا تضع أصابعك أبداً على جوانب الدواسات أو بالقرب منها.
- \* أثناء اللعب، لا تضع أصابعك أبداً على القاعدة الخلفية للدواسات أو بالقرب منها.
- \* أثناء اللعب، لا تضع أصابعك أبداً على القاعدة الأمامية للدواسات أو بالقرب منها.

أبداً



أبداً



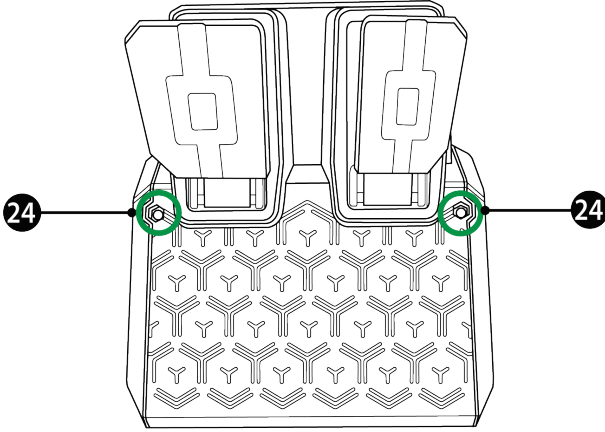
أبداً



**تحذير** – خطر التعرض للاحتشار بواسطة مجموعة الدواسات أثناء عدم اللعب  
\* خزن مجموعة الدواسات في مكان آمن، واحتفظ بها بعيداً عن متناول الأطفال.

## تركيب مجموعة الدواسات على دعامة أو في قمرة قيادة

يمكن توصيل مجموعة الدواسات بمجموعة متنوعة من الدعامة المختلفة (تباع بشكل منفصل) باستخدام التثبيت (24) الموجودين على جانبي مجموعة الدواسات.



إذا لم تعمل عجلة السباق و/أو مجموعة الدواسات لديك بصورة صحيحة، أو إذا كانت تبدو معايرة بصورة غير دقيقة:

أوقف تشغيل جهاز الألعاب أو الكمبيوتر لديك وافصل عجلة السباق بالكامل. أعد إثرها توصيل الكابلات (بما في ذلك كابل إمداد الطاقة ومجموعة الدواسات)، وأعد تشغيل جهازك (أو الكمبيوتر الخاص بك) ولعبتك.

## معلومات ضمان المستهلك

تضمن شركة Guillemot Corporation S.A، العالمية (المشار إليها فيما بعد باسم "Guillemot") ومقرها الرئيسي في Place du Granier, B.P. 97143, 35571 Chantepie, France، للمستهلك أن يكون منتج Thrustmaster خاليًا من عيوب المواد وعيوب التصنيع، طوال مدة فترة الضمان التي تتوافق مع الفترة المحددة التي يمكن خلالها المطالبة بالمطالبة لاسترداد قيمة هذا المنتج أو استبداله. في دول الاتحاد الأوروبي، يسري هذا لمدة (2) عامين من تاريخ استلام المنتج Thrustmaster. وفي دول أخرى، تتوافق فترة الضمان مع الفترة المحددة للمطالبة بمطابقة المنتج Thrustmaster وفقًا للقوانين المعمول بها في الدولة التي كان يقطن بها المستهلك عند تاريخ شراء المنتج Thrustmaster (في حالة عدم المطالبة في الدولة المعنية، ستكون فترة الضمان عام (1) واحد من تاريخ الشراء الأصلي للمنتج Thrustmaster).

وإذا ظهر أن المنتج معيبًا خلال فترة الضمان، فاتفصل على الفور بالدعم الفني الذي سيرشدك إلى الإجراءات التي يجب أن تتبعها. وإذا تم التأكد من وجود العيب، فيجب إعادة المنتج إلى مكان شرائه (أو أي موقع آخر يشير إليه الدعم الفني).

وفي سياق هذا الضمان، يجب استبدال المنتج المعيب الخاص بالمستهلك أو إصلاحه، وذلك حسب اختيار الدعم الفني. إذا خضع منتج Thrustmaster، في خلال فترة الضمان، لأي عملية إصلاح، فإن أي فترة يكون المنتج خلالها خارج الخدمة ويحد أدنى سبعة (7) أيام سوف تضاف إلى فترة الضمان المتبقية (تبدأ هذه الفترة من تاريخ طلب العميل للتدخل من تاريخ تقديم المنتج المذكور للإصلاح، إذا كان تاريخ تقديم المنتج للإصلاح لاحقًا لتاريخ طلب التدخل). تقتصر المسؤولية الكاملة لشركة Guillemot وفروعها (بما في ذلك الأضرار التبعية) على إصلاح المنتج Thrustmaster أو استبداله، وذلك عندما يكون هذا جائزًا بموجب القانون الساري. تخلي شركة Guillemot مسؤوليتها عن أي ضمانات خاصة بالتجارة أو الملاءمة لغرض معين، وذلك عندما يكون هذا جائزًا بموجب القانون الساري.

لا يسري هذا الضمان: (1) إذا تم تعديل المنتج أو فتحه أو تغييره أو إذا تعرض للتلف نتيجة للاستخدام السيئ أو غير الملائم أو الإهمال أو حادث أو الإهلاك نتيجة الاستعمال العادي، أو أي سبب آخر لا يرتبط بوجود عيب في المواد أو التصنيع (بما في ذلك، على سبيل المثال لا الحصر، تجميع منتج Thrustmaster بواسطة أي عنصر غير مناسب، بما في ذلك على وجه الخصوص وحدات الإمداد بالطاقة أو البطاريات القابلة لإعادة الشحن أو الشواحن أو أي عناصر أخرى لا يتم توريدها من Guillemot لهذا المنتج)؛ (2) إذا استخدم المنتج لأي غرض آخر بخلاف الاستخدام المنزلي، بما في ذلك الأغراض المهنية أو التجارية (غرف الألعاب أو التدريب أو المسابقات على سبيل المثال)؛ (3) في حالة عدم الالتزام بالتعليمات المقدمة من قبل الدعم الفني؛ (4) على البرامج، حيث تخضع هذه البرامج لضمان محدد؛ (5) على العناصر الاستهلاكية (العناصر التي يتم استهلاكها خلال فترة عمر المنتج: كالبطاريات غير القابلة لإعادة الاستخدام أو سماعات الرأس أو وسادات الأذن الخاصة بسماعة الرأس)؛ (6) الملحقات (كالكابلات والعلب والحافظات والحقائب وأربطة المعصم)؛ (7) إذا تم بيع المنتج في مزاد علني.

هذا الضمان غير قابل للتحويل.

لا يؤثر هذا الضمان على الحقوق القانونية للمستهلك بمقتضى القوانين المطبقة على بيع السلع الاستهلاكية في بلده/بلدها.

خلال فترة الضمان، لن توفر Guillemot، من حيث المبدأ، أي قطع غيار، حيث أن الدعم الفني هو الطرف الوحيد المخول بفتح و/أو إصلاح أي منتج من Thrustmaster (باستثناء أي إجراءات إصلاح يطلب الدعم الفني إجراؤها بواسطة العميل، عن طريق تعليمات مكتوبة - على سبيل المثال، نظرًا لبساطة عملة الإصلاح وعدم سربيتها - وتزويد العميل بقطعة (قطع) الغيار المطلوبة، حيثما أمكن ذلك.

لمقتضى المجالات الإبداعية ولحماية أسرار المعرفة الفنية والأسرار التجارية، لن توفر Guillemot، من حيث المبدأ، أي إشعارات للإصلاح أو قطع غيار لأي منتج Thrustmaster انتهت فترة الضمان الخاصة به.

### المسؤولية

تخلي شركة Guillemot Corporation S.A. (المشار إليها فيما بعد باسم "Guillemot") وفروعها مسؤوليتها كاملة عن أي أضرار تنتج عن حالة أو أكثر من الحالات التالية، إذا كان هذا جازئًا بموجب القانون الساري: (1) تعديل المنتج أو فتحه أو تغييره؛ (2) عدم الالتزام بتعليمات المجموعة؛ (3) الاستخدام السيئ أو غير الملائم أو الإهمال أو التعرض لحادث (تصادم، على سبيل المثال)؛ (4) الإهلاك الناتج عن الاستعمال العادي؛ (5) إذا استخدم المنتج لأي غرض آخر بخلاف الاستخدام المنزلي، بما في ذلك الأغراض المهنية أو التجارية (غرف الألعاب أو التدريب أو المسابقات على سبيل المثال). تخلي شركة Guillemot وفروعها كافة مسؤوليتها عن أي أضرار لا ترتبط بعيب في المواد أو التصنيع يتعلق بالمنتج (متضمنًا، على سبيل المثال لا الحصر، أي أضرار تحدث بشكل مباشر أو غير مباشر بسبب أي برنامج أو عن طريق دمج منتج Thrustmaster مع أي عنصر غير مناسب، بما في ذلك على وجه الخصوص وحدات الإمداد بالطاقة أو البطاريات القابلة لإعادة الشحن أو الشواحن أو أي عناصر أخرى لا يتم توريدها من خلال Guillemot لهذا المنتج)، إذا كان هذا جازئًا بموجب القانون الساري.

# THRUSTMASTER®

## الدعم الفني

<https://support.thrustmaster.com>



## حقوق النشر

حقوق التأليف والطبع والنشر © لعام 2022 مملوكة لمجموعة Guillemot Corporation S.A. جميع الحقوق محفوظة. وThrustmaster هي علامة تجارية مسجلة لمجموعة Guillemot Corporation S.A. يتم تصنيعه وتوزيعه بواسطة مجموعة Guillemot Corporation S.A. أما جميع العلامات التجارية والأسماء التجارية الأخرى، فهي مُعترف بها بموجب هذه الوثيقة ومملوكة لأصحابها المعنيين. وتخضع المحتويات والتصميم والمواصفات للتغيير دون إشعار، وقد تختلف من بلد إلى آخر. وتُعدّ الصور والرسومات غير ملزمة. صنم في أمريكا الشمالية وأوروبا، وصنم في الصين.

للاستخدام حصريًا مع أجهزة PlayStation®5 وأجهزة PlayStation®4.

"PS4"، و"PS5"، و"PS"، و"PlayStation Shapes Logo" هي علامات تجارية مسجلة أو علامات تجارية مملوكة لشركة Sony Interactive Entertainment Inc. جميع الحقوق محفوظة. وجميع العلامات التجارية الأخرى مملوكة لأصحابها المعنيين. يتم التصنيع والتوزيع بموجب ترخيص من شركة Sony Interactive Entertainment LLC.

## توصيات الحماية البيئية

منه التخلص عدم يجب، المنتج صلاحية انتهاء عند: وتركيا المتحدة والمملكة الأوروبية الاتحاد في المعدات نفايات من بالتخلص خاصة تجميع نقطة في يوضع لكن، العادية المنزلية النفايات مع (WEEE) والإلكترونية الكهربية ويؤكد ذلك الرمز الموجود على المنتج أو دليل المستخدم أو الغلاف. يمكن إعادة تدوير المواد، على حسب خصائصها. من خلال إعادة التدوير والأشكال الأخرى لمعالجة نفايات المعدات الكهربية والإلكترونية، يمكنك المشاركة بفعالية في المساعدة على حماية البيئة.

يرجى الاتصال بالسلطات المحلية لديك للحصول على معلومات حول نقطة التجميع الأقرب إليك. بالنسبة لكافة البلدان الأخرى: يرجى الالتزام بقوانين إعادة التدوير المحلية الخاصة بالمعدات الكهربية والإلكترونية.



احتفظ بهذه المعلومات. قد تختلف الألوان والزخارف.  
يجب إزالة المواد المثبتة واللاصقة من المنتج قبل استخدامه.

[www.thrustmaster.com](http://www.thrustmaster.com)

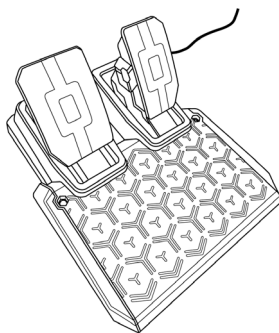
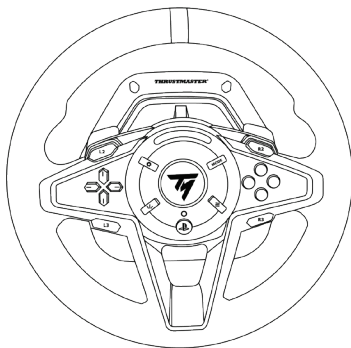
\*ينطبق على الاتحاد الأوروبي والمملكة المتحدة وتركيا فقط



# T128

För PlayStation®5-konsoler, PlayStation®4-konsoler och PC\*

## Bruksanvisning



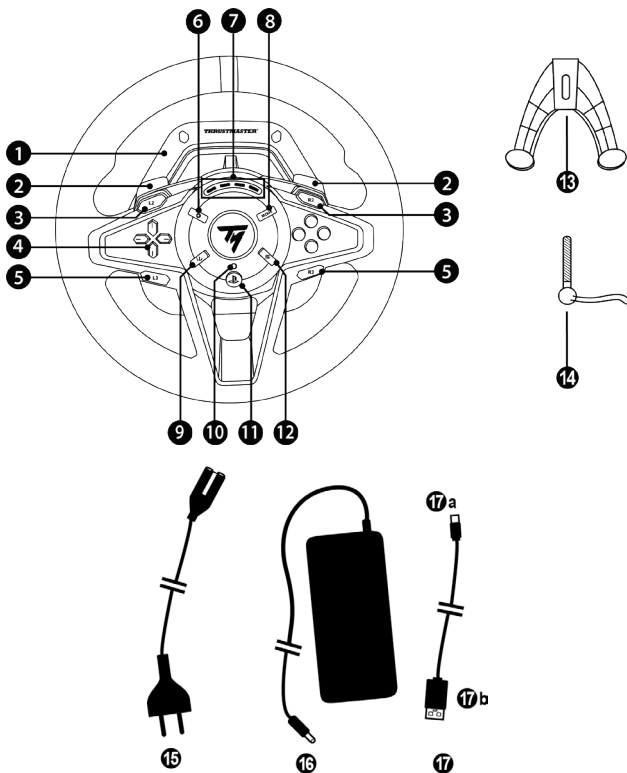
### **VARNING:**

För att säkerställa att din T128-racingratt fungerar som den ska i spel till PlayStation®5-konsoler, PlayStation®4-konsoler eller PC kan du behöva installera spelets automatiska uppdateringar

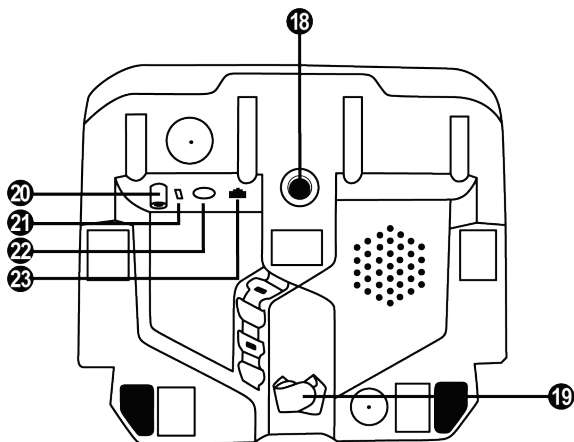
*(tillgängliga när din konsol eller PC är ansluten till Internet).*

\*PC-kompatibiliteten (Windows® 10/11) har inte testats av och stöds inte av Sony Interactive Entertainment.

# TEKNISKA DELAR



- |   |   |    |  |
|---|---|----|--|
| 1 | T128-bas  | 10 | Spellägesindikator (blå, röd eller grön)         |
| 2 | Två magnetiska växel paddlar (- och +)                        | 11 | PS-knapp   |
| 3 | L2 och R2-knappar   | 12 | OPTIONS-knapp på PS4™-konsoler och PS5™-konsoler |
| 4 | Riktningknappar   | 13 | Monteringssystem                                 |
| 5 | L3 och R3-knappar   | 14 | Fästskruv av metall                              |
| 6 | INSTÄLLNINGS-knapp  | 15 | Strömkabel (EU/USA/UK...)                        |
| 7 | Fyra varvtalslampor (visar motorvarvtalet)                    | 16 | Strömadapter                                     |
| 8 | MODE-knapp  | 17 | USB-kabel: USB-C (17a) – USB-A (17b)             |
| 9 | SHARE-knapp på PS4™-konsoler<br>CREATE-knapp på PS5™-konsoler |    |  |



**18** Stort gängat hål (för monteringsystem och fästskruv)

**19** Kardborreförsedd kabelhållare

**20** Strömadapterkontakt

**21** Racinggrattens USB-C-kontakt

**22** Mini-DIN-kontakt för växelspakar, handbromsar och hubbar från Thrustmaster (säljs separat)

**23** RJ12-kontakt för pedalet



## VARNING

Läs igenom denna bruksanvisning noggrant innan du använder denna produkt och spara den för framtida bruk.



### Varning – Elektriska stötar

- \* Förvara produkten på ett torrt ställe och utsätt den inte för damm eller solljus.
- \* Vrid och dra inte i kontakter och kablar.
- \* Spill inte vätskor på produkten eller dess kontakter.
- \* Kortslut inte produkten.
- \* Montera aldrig isär produkten, kasta inte in den i eld och utsätt den inte för höga temperaturer.
- \* Använd ingen annan strömkabel än den som medföljer din racingratt.
- \* Använd inte strömkabeln om kabeln eller dess kontakter är skadade, delade eller söndriga.
- \* Kontrollera att strömkabeln är ordentligt ansluten till ett eluttag och till kontakten på baksidan av racingrattens bas.
- \* Öppna inte racingratten: det finns inga delar däri som får repareras av användaren. Eventuella reparationer måste utföras av tillverkaren, dess auktoriserade representant eller en behörig tekniker.
- \* Använd endast monteringsystem/tillbehör som specificerats av tillverkaren.
- \* Om racingratten fungerar onormalt (om den låter/luktar konstigt eller blir varm) ska du genast sluta använda den, dra ut strömkabeln ur eluttaget och dra ut övriga kablar.
- \* Om du inte tänker använda racingratten under en längre period drar du ut strömkabeln ur eluttaget.
- \* Eluttaget måste vara nära utrustningen och ska vara lättåtkomligt.



Använd endast det nätaggregat som listas i användarinstruktionerna.

### Information för nätagadapter

Publicerad information	Värde	Enhet
Tillverkarens namn eller varumärke, organisationsnummer och adress	<b>GUILLEMOT CORPORATION S.A.</b> 414 196 758 Rennes Place du Granier BP 97143 35571 Chantepie Cedex Frankrike	
Modell-ID	<b>A481-1852590D</b>	
Ingångsspänning	<b>100 - 240</b>	V
Växelströmsfrekvens (in)	<b>50 - 60</b>	Hz
Utgångsspänning	<b>18,5</b>	V DC
Utgångsström	<b>2,6</b>	O
Utgångseffekt	<b>47,9</b>	W
Genomsnittlig aktiv effektivitet	<b>87,8</b>	%
Effektivitet vid låg belastning (10%)	<b>87,8</b>	%
Strömförbrukning vid ingen belastning	<b>0,10</b>	W



### **Ventilationshål**

Se till att inga ventilationshål på racingrattens bas är blockerade. Gör följande för att få optimal ventilation:

- \* Placera rattens bas på minst 10 cm avstånd från alla väggar.
- \* Placera inte basen i trånga utrymmen.
- \* Täck inte över basen.
- \* Låt inte damm ansamlas i ventilationshålen.



**Av säkerhetsskäl ska du aldrig använda pedalsetet barfota eller om du bara har sockor på dig.**

**THRUSTMASTER® FRÅNSÄGER SIG ALLT ANSVAR I HÄNDELSE AV SKADOR ORSAKADE PÅ GRUND AV ATT PEDALSETET ANVÄNDS UTAN SKOR.**



### **Varning – Skador på grund av Force Feedback och upprepade rörelser**

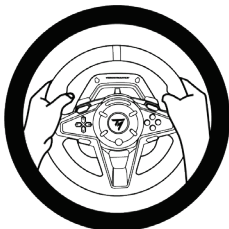
Att spela med en racingratt med Force Feedback kan leda till muskel- eller ledvärk. För att undvika problem:

- \* Undvik långa spelsessioner.
- \* Ta 10 till 15 minuters paus för varje spelad timme.
- \* Om du känner smärta eller trötthet i händerna, handlederna, armarna, fötterna eller benen ska du sluta spela och vila i några timmar innan du börjar spela igen.
- \* Om symtomen eller smärtorna består när du fortsätter spela ska du sluta spela och kontakta din läkare.
- \* Förvaras utom räckhåll för barn.
- \* Ha alltid båda händerna i rätt position på ratten och släpp aldrig taget helt när du spelar.
- \* Ha aldrig händerna eller fingrarna under pedalerna eller i närheten av pedalsetet när du eller någon annan spelar.
- \* Stoppa aldrig in handen eller armen i racingrattens öppningar när du eller någon annan kalibrerar eller spelar.
- \* Kontrollera att racingrattens bas är ordentligt monterad enligt instruktionerna i denna bruksanvisning.



Produkten får endast hanteras av personer som är 14 år eller äldre

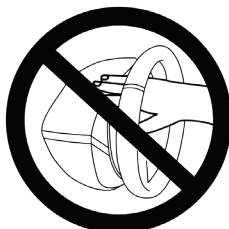
ALLTID



ALDRIG



ALDRIG



**Varning – Klämrisk när man spelar med pedalsetet**

- \* Förvara pedalsetet utom räckhåll för barn.
- \* Ha aldrig fingrarna på eller i närheten av pedalernas sidor när du eller någon annan spelar.
- \* Ha aldrig fingrarna på eller i närheten av den bakre basen av pedalerna när du eller någon annan spelar.
- \* Ha aldrig fingrarna på eller i närheten av den främre basen av pedalerna när du eller någon annan spelar.

ALDRIG



ALDRIG



ALDRIG



**Varning – Klämrisk när man inte spelar med pedalsetet**

- \* Förvara pedalsetet på ett säkert ställe och utom räckhåll för barn.

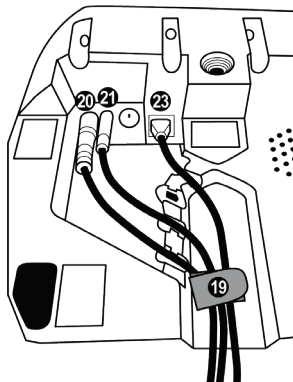
## MONTERA RACINGRATTEN

### Montera racingratten på ett bord eller skrivbord

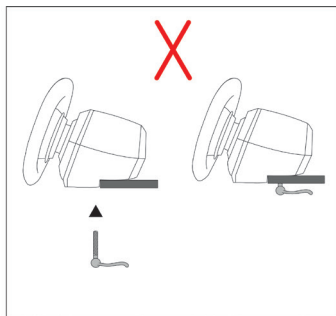
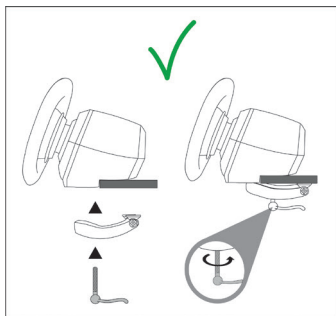
Börja med att ansluta följande till rattens undersida:

- strömadaptern (20);
- USB-C-snabbkopplingskabeln (17a) till USB-C-kontakten (21);
- T2PM-pedalsetet (23).

Se till att följa kabelvägarna för de olika kablarna och fäst kablarna med den kardborreförsedda kabelhållaren (19).



1. Placera racingratten på ett bord eller annan horisontell, plan och stabil yta.
2. Sätt i fästsruven (14) i monteringsystemet (13) och gör fast enheten genom att skruva skruven motsols så att den förs in i det stora gängade hålet (18) under racingratten tills rattan är helt stabil.



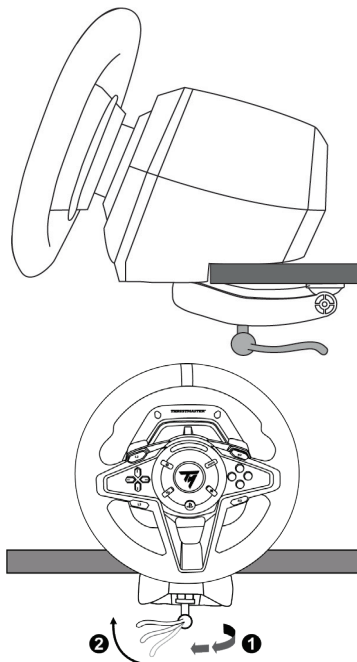
**WARNING:** Dra aldrig åt enbart skruven utan att monteringsystemet är på plats!  
Detta kan skada racingratten.

**MONTERING /  
BORTTAGNING**

**RIKTNING**

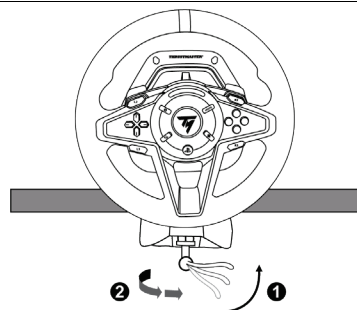
**För att dra åt:**

**Skruva skruven  
motsols**



**För att lossa:**

**Skruva skruven  
medsols**



## INSTALLATION

### AUTOMATISK KALIBRERING AV RACINGRATTEN OCH PEDALSETET

Ratten kalibrerar sig automatiskt när du ansluter racingratten till ett eluttag och kopplar racingrattens USB-kontakt till PlayStation®5-konsolen, PlayStation®4-konsolen eller till PC:n.

När detta sker snurrar racingratten snabbt åt vänster och höger över en vinkel på 900 grader innan den stannar i mitten.



**WARNING:**

**Rör aldrig racingratten när den kalibrerar sig!**

***(Detta kan resultera i felaktig kalibrering och/eller personskada.)***

Anslut aldrig pedalsetet till racingrattens bas (och koppla inte ur det från basen) när den är ansluten till PlayStation®-konsolen, PC:n eller när du spelar (detta kan resultera i felaktig kalibrering).

Anslut alltid pedalsetet innan du ansluter racingratten till PlayStation®5-konsolen, PlayStation®4-konsolen eller till PC:n.

När racingrattens kalibrering är klar och spelet har startats kalibreras pedalerna automatiskt efter några tryck.



**WARNING:**

**Tryck aldrig på pedalerna när racingratten kalibrerar sig eller när ett spel laddas!**

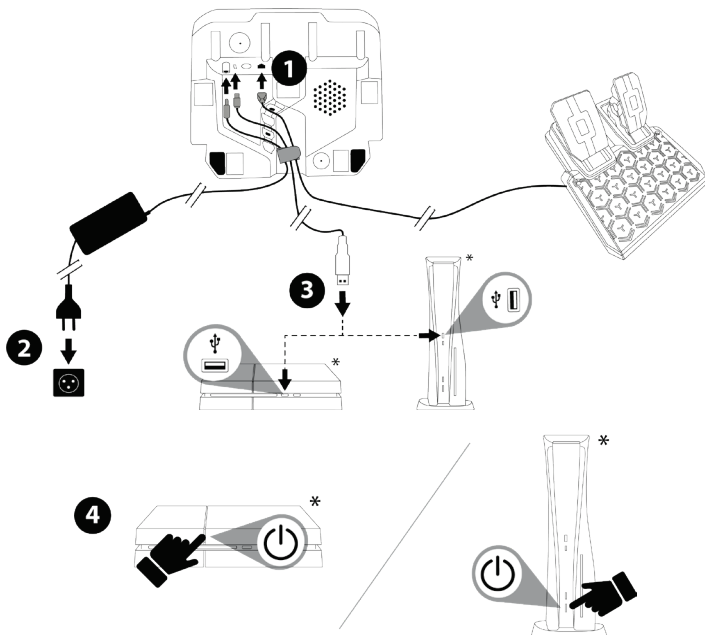
***(Detta kan resultera i felaktig kalibrering.)***

**Om din racingratt och/eller ditt pedalset inte fungerar som de ska eller verkar vara felkalibrerade:**

- Stäng av din konsol eller PC och koppla ur racingratten helt och hållet. Anslut sedan alla kablar igen (inklusive strömkabeln och pedalsetet) och starta om din konsol (eller PC) samt spelet.
- Konfigurera om pedalsetet i **standardläget** via proceduren som beskrivs på sid 16 i denna bruksanvisning.

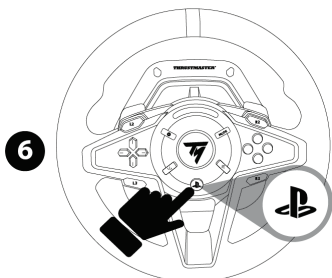
# INSTALLATION PÅ PLAYSTATION®4-KONSOLER ELLER PLAYSTATION®5-KONSOLER

1. Anslut T2PM-pedalsetet till RJ12-kontakten **(23)** på basen.
2. Anslut strömkabeln och strömadaptorn till ett eluttag.
3. Anslut USB-C-kabeln **(17a)** till USB-C-porten **(21)** på basen.  
Anslut USB-A-kabeln **(17b)** till en USB-A-port på PS4™-konsolen eller PS5™-konsolen.
4. Slå på PlayStation®4-konsolen eller PlayStation®5-konsolen. Racingratten kalibrerar sig automatiskt.



\*Ingår ej

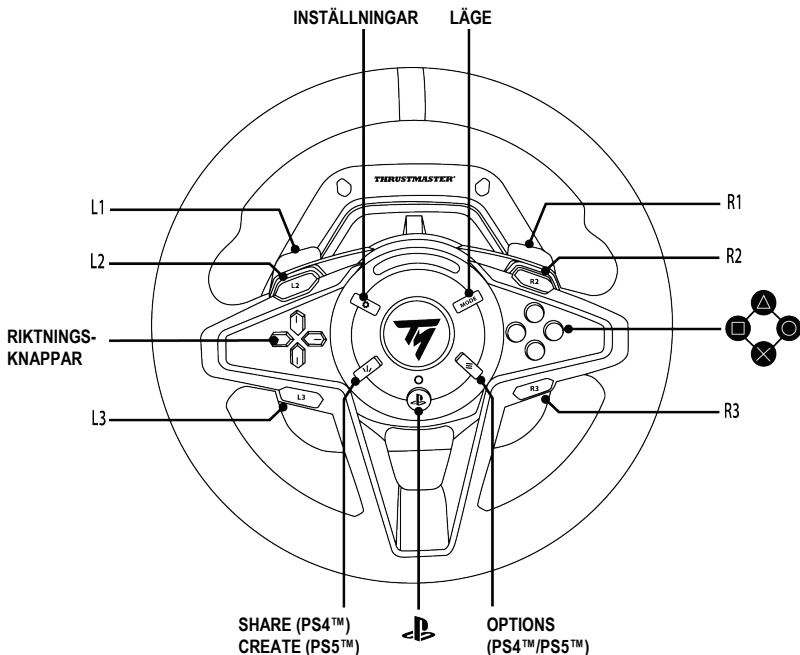
- Välj vilket spelläge du vill spela i via proceduren som beskrivs på sid 15 i denna bruksanvisning.
- Tryck på racingrattens PS-knapp (11) och logga in på ditt PlayStation™Network-konto för att racingratten ska fungera.



***Nu är du redo att spela!***



## MAPPNING PÅ PLAYSTATION®4-KONSOLER ELLER PLAYSTATION®5-KONSOLER



### **Att ha i åtanke på PS4™-konsoler eller PS5™-konsoler:**

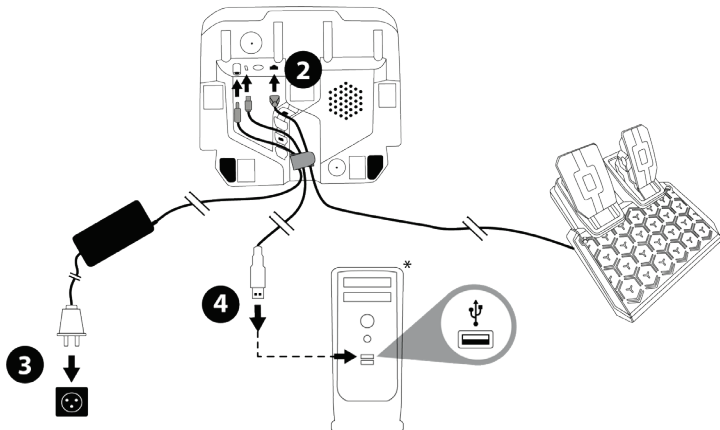
- Racingratten känns igen i spel som en Thrustmaster T-GT-racingratt eller en Thrustmaster Advanced Racer-racingratt.
- De fyra varvtalslamporna som visar motorvarvtalet (7) fungerar i spel som är kompatibla med Thrustmasters SDK. En lista med kompatibla spel finns här: <https://support.thrustmaster.com> (under **Racingrattar / T128 / Inställningar för spel**). Denna lista uppdateras regelbundet.
- Listan med spel till PlayStation®4-konsoler och PlayStation®5-konsoler som är kompatibla med T128-racingratten finns här: <https://support.thrustmaster.com> (under **Racingrattar / T128 / Inställningar för spel**). Denna lista uppdateras regelbundet.

## INSTALLATION PÅ PC\*

\*PC-kompatibiliteten (Windows® 10/11) har inte testats av och stöds inte av Sony Interactive Entertainment.

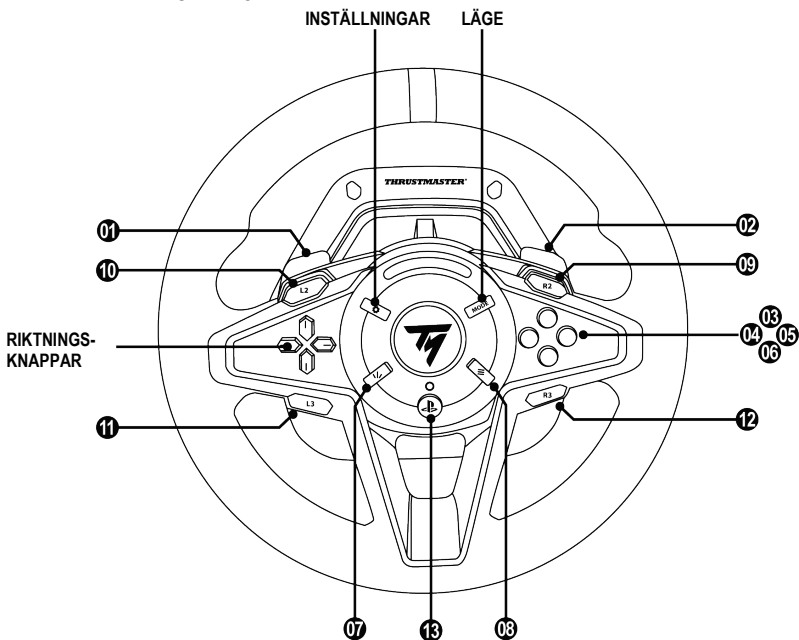
1. Gå till <https://support.thrustmaster.com> för att ladda ner drivrutinerna och Force Feedback-programvaran för PC. Klicka på **Racingrattar / T128 / Drivrutiner**.
2. Anslut T2PM-pedalsetet till RJ12-kontakten (23) på basen.
3. Anslut strömkabeln och strömadaptorn till ett eluttag.
4. Anslut USB-C-kabeln (17a) till USB-C-porten (21) på basen.
5. Anslut USB-A-kabeln (17b) till en USB-A-port på din PC.

Racingratten kalibrerar sig automatiskt.



6. Välj **Start / Thrustmaster / FFB-racingratt / Kontrollpanelen** för att öppna fönstret **Spelkontroller**. Fönstret **Spelkontroller** visar racingrattens namn, **Thrustmaster Advanced Mode Racer**, med statusen **OK**.
7. Klicka på **Egenskaper** för att konfigurera din racingratt på T128-kontrollpanelen:
  - **Fliken Testa enhet**: testa och visa actionknapparna, riktningssknapparna och axlarna för racingratten (liksom axlarna för pedalsetet) och justera rattutslaget i dina PC-spel.
  - **Fliken Testa Force Feedback**: testa 12 Force Feedback-effekter.
  - **Fliken Justera Force Feedback**: justera styrkan på Force Feedback-effekterna i dina PC-spel.

## MAPPING PÅ PC



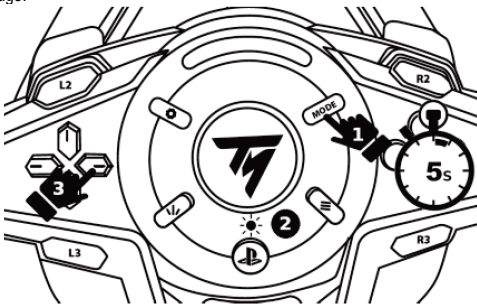
### Att ha i åtanke på PC:


- På Kontrollpanelen och i spel känns racingratten igen under namnet **Thrustmaster Advanced Mode Racer**.
- Tänk på att alltid stänga fönstret **Spelkontroller** helt genom att klicka på **OK** innan du startar ditt spel.
- De inställningar och justeringar du gjort i fönstret **Spelkontroller** sparas endast på din PC (och har därför ingen effekt på PS4™-konsoler eller PS5™-konsoler).
- Din racingratts firmwareversion visas längst upp till höger bland fiikarna på T128-kontrollpanelen.
- De fyra varvtalslamporna som visar motorvarvtalet (**7**) fungerar i PC-spel som är kompatibla med Thrustmasters SDK. En lista med kompatibla spel finns här: <https://support.thrustmaster.com> (under **Racingrattar / T128 / Inställningar för spel**). Denna lista uppdateras regelbundet.

## VÄLJA SPELLÄGE

### Procedur:

1. Håll in MODE-knappen (8) i fem sekunder tills LED-lampan (10) ovanför PS-knappen börjar blinka.
2. Fortsätt hålla in MODE-knappen (8) och tryck samtidigt på höger riktningknapp (4) för att välja önskat spelläge.



LED-FÄRG 	SPELLÄGE
BLÅ	PLAYSTATION® STANDARDKOMPATIBILITET (standardläge)
RÖD	PLAYSTATION® FRAMTIDA KOMPATIBILITET
GRÖN	PC

Släpp knapparna när spelläget har valts: ditt val sparas i racingrattens interna minne. Racingratten startar om och kalibrerar sig.

### Obs:

- På PlayStation®4-konsoler och PlayStation®5-konsoler: för att T128-racingratten ska fungera efter kalibreringen trycker du på PS-knappen (11) och loggar in på ditt PlayStation™ Network-konto.
- Listan med spel som är kompatibla med PlayStation®4-konsolen, PlayStation®5-konsolen och T128 (samt motsvarande spelläge) finns här: <https://support.thrustmaster.com> (under **Racingrattar / T128 / Inställningar för spel**). Denna lista uppdateras regelbundet.

## PEDALSETETS LÄGE (Visas varje gång racingratten startar om)

Varje gång racingratten startar om (och efter den kalibrerat sig) indikerar de fyra varvtalslamporna (7) i vilket läge (position och typ) pedalsetet är konfigurerat.

### Position:

- **NORMAL:** standardposition;
- eller **INVERTERAD:** i denna position är gas- och kopplingspedalerna inverterade — denna position är endast möjlig med ett pedalset med tre pedaler.

### Typ:

- **T2PM-T3PA-T3PM** utan lastcellsteknik: **standardtyp**;
- eller **T-LCM** med lastcellsteknik.

PEDALSETETS LÄGE	VARVTALSLAMPORNAS BLINKANDE (7)
<b>STANDARDLÄGE</b> - NORMAL position - T2PM-T3PA-T3PM-typ	<b>STANDARDLÄGE</b> 
- NORMAL position - T-LCM-typ	
- INVERTERAD position - T2PM-T3PA-T3PM-typ	
- INVERTERAD position - T-LCM-typ	

## OMKONFIGURERA PEDALSETET I STANDARDLÄGET (Utför om pedalsetet inte fungerar som det ska)

### Procedur:

- TRYCK SNABBT på INSTÄLLNINGS-knappen (6) åtta gånger.



De fyra varvtalslamporna (7) blinkar samtidigt fem gånger för att indikera omkonfigurationen i standardläget.



## INVERTERA PEDALERNAS POSITION (om du använder ett pedalet med tre pedaler)

T128-racingratten är som standard bundlad med T2PM, ett pedalet med två pedaler. Racingratten är dessutom kompatibel med Thrustmasters pedalet T3PA, T3PM och T-LCM, som alla har tre pedaler (säljs separat).

Om du använder ett pedalet med tre pedaler går det att invertera gas- och kopplingspedalerna elektroniskt.

### Procedur:

- Håll in **INSTÄLLNINGS**-knappen (6) i fem sekunder.



Inverteringen av pedalerna sparas direkt i racingrattens interna minne och en av de fyra varvtalslamporna (7) blinkar tre gånger för att indikera den valda positionen.

GAS- OCH KOPPLINGSPEDALERNA	VARVTALSLAMPORNAS BLINKANDE (7)
<b>STANDARDLÄGE</b> - NORMAL position	A diagram of a racing pedal layout with four pedals. The first pedal on the left is highlighted in green. A circular icon with "3x" is positioned above the first pedal.
- INVERTERAD position	A diagram of a racing pedal layout with four pedals. The second pedal from the left is highlighted in orange. A circular icon with "3x" is positioned above the second pedal.

# VÄXLA PEDALSETET MANUELLT FRÅN T2PM-T3PA-T3PM-TYP TILL T-LCM-TYP (och vice versa)

Pedalsetets standardläge är T2PM-T3PA-T3PM-typ.

Detta läge sparas i det interna minnet i racinggrattens bas och är alltid aktiverat, förutom om du ansluter ett T-LCM-pedalset till RJ12-porten eller om du växlar läge manuellt.

## Procedur:

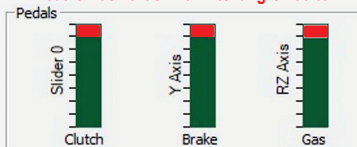
- Håll samtidigt in **INSTÄLLNINGS**-knappen (6) och **vänster växelpaddel (-)** i fem sekunder.



LÄGE	VARVTALS-LAMPORNAS BLINKANDE (7)
<b>STANDARDLÄGE</b> - T2PM-T3PA-T3PM-typ	
- T-LCM-typ	



Med T-LCM-typen fungerar inte pedalseten T2PM, T3PA och T3PM som de ska.  
Pedalernas värden når inte längre 100 %.



För att de ska fungera korrekt igen (och nå 100 %) måste du växla läget på racinggrattens bas manuellt till T2PM-T3PA-T3PM-typen.



## ÄNDRA RATTUTSLAGET MANUELLT VIA RACINGRATTEN (endast möjligt i spel där rattutslaget inte justeras automatiskt)

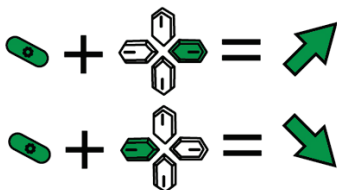
T128-racingratten har ett rattutslag som är justerbart mellan 270° och 900°.

I många spel är racingrattens rattutslag automatiskt och justerar sig efter vilken bil som används. I dessa spel går det inte att ändra rattutslaget manuellt eftersom spelet och inte användaren sköter denna funktion.

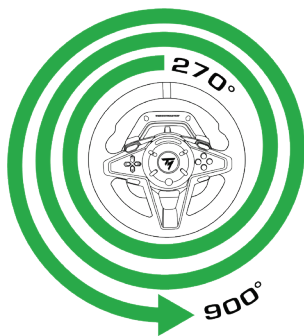
I andra spel går det att ändra rattutslaget manuellt via racingratten.

### Procedur:

- Tryck samtidigt på **INSTÄLLNINGS-knappen (6)** och **höger riktningknapp (4)** för att öka rattutslaget med ett steg; eller
- Tryck samtidigt på **INSTÄLLNINGS-knappen (6)** och **vänster riktningknapp (4)** för att minska rattutslaget med ett steg.



Fyra möjliga nivåer	
Valt rattutslag	Varvtalslamporna (7)
270°	
360°	
540°	
900°	



**Obs:** Rattutslag som ändras manuellt via racingratten sparas inte permanent. Proceduren måste utföras varje gång spelet eller racingratten startas om.

## **ANDRA FUNKTIONER RELATERADE TILL INSTÄLLNINGSKNAPPEN (6)**

Gå till <https://support.thrustmaster.com>.

Klicka på **Racingrattar / T128** och välj sedan **Bruksanvisning** eller **FAQ**.

## **UPPDATERA RACINGRATTENS FIRMWARE**

Gå till <https://support.thrustmaster.com>.

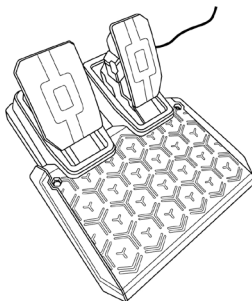
Klicka på **Racingrattar / T128 / Firmware** och följ instruktionerna.

## **DIVERSE TIPS, FRÅGOR OCH SVAR**

Gå till <https://support.thrustmaster.com>.

Klicka på **Racingrattar / T128** och välj sedan **Bruksanvisning** eller **FAQ**.

# PEDALSETET T2PM



## VARNING

Läs bruksanvisningen noggrant innan du använder denna produkt och spara den för framtida bruk.



Av säkerhetsskäl ska du **aldrig** använda pedalsetet barfota eller om du bara har sockor på dig.

**THRUSTMASTER® FRÅNSÄGER SIG ALLT ANSVAR I HÄNDELSE AV SKADOR ORSAKADE PÅ GRUND AV ATT PEDALSETET ANVÄNDS UTAN SKOR.**



### **Varning – Klämrisk när man spelar med pedalsetet**

- \* Förvara pedalsetet utom räckhåll för barn.
- \* Ha aldrig fingrarna på eller i närheten av pedalernas sidor när någon spelar.
- \* Ha aldrig fingrarna på eller i närheten av den bakre basen av pedalerna när någon spelar.
- \* Ha aldrig fingrarna på eller i närheten av den främre basen av pedalerna när någon spelar.

**ALDRIG**



**ALDRIG**



**ALDRIG**

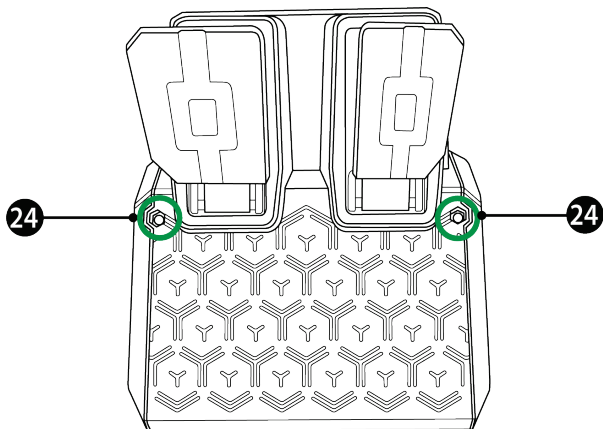


### **Varning – Klämrisk när man inte spelar med pedalsetet**

- \* Förvara pedalsetet på ett säkert ställe och utom räckhåll för barn.

## MONTERA PEDALSETET PÅ ETT STÖD ELLER EN COCKPIT

Pedalsetet kan monteras på en mängd olika stöd (säljs separat) med hjälp av de två hålen (24) på vardera sidan av pedalsetet.



**Om din racingratt och/eller ditt pedalset inte fungerar som de ska eller verkar vara felkalibrerade:**

Stäng av din konsol eller PC och koppla ur racingratten helt och hållet. Anslut sedan alla kablar igen (inklusive strömkabeln och pedalsetet) och starta om din konsol (eller PC) samt spelet.

## **GARANTIINFORMATION**

Guillemot Corporation S.A., med säte i Place du Granier, B.P. 97143, 35571 Chantepie, Frankrike (hädanefter "Guillemot") garanterar globalt för konsumenten att denna Thrustmaster-produkt ska vara fri från defekter i material och utförande, under en garantiperiod som motsvarar tidsgränsen för att vidta åtgärder mot Guillemot om konsumenten anser att produkten inte är fri från defekter i material och utförande. I länderna i Europeiska unionen motsvarar detta en period på två (2) år från leveransen av Thrustmaster-produkten. I andra länder motsvarar garantiperioden tidsgränsen för att vidta åtgärder mot Guillemot om konsumenten anser att Thrustmaster-produkten inte är fri från defekter i material och utförande enligt de lagar som gäller i landet där konsumenten var bosatt vid inköpsdatumet för Thrustmaster-produkten (om ingen sådan åtgärd existerar i det motsvarande landet ska garantiperioden vara ett (1) år från ursprungligt inköpsdatum av Thrustmaster-produkten).

Trots ovanstående omfattas laddningsbara batterier av en garantiperiod på sex (6) månader från ursprungligt inköpsdatum.

Om produkten skulle visa sig vara defekt under garantiperioden ska du genast kontakta tekniska supporten som då informerar om hur du går vidare. Om defekten bekräftas måste produkten returneras till inköpsstället (eller annat ställe angivet av tekniska supporten).

Inom ramen för denna garanti ska konsumentens defekta produkt, efter tekniska supportens gottfinnande, antingen ersättas eller repareras så att den fungerar. Om Thrustmaster-produkten under garantiperioden är föremål för sådan renovering, ska alla perioder på minst sju (7) dagar under vilka produkten inte kan användas läggas till återstående garantiperiod (denna period löper från det datum då konsumenten bad om service eller från det datum då produkten ifråga gjorts tillgänglig för reparation, om datumet då produkten gjorts tillgänglig för reparation ligger efter datumet då konsumenten bad om service). Om det är tillåtet enligt gällande lag är Guillemot och dess dotterbolags fulla ansvar (inklusive följdskador) begränsat till att reparera eller ersätta Thrustmaster-produkten. Om det är tillåtet enligt gällande lag fransäger sig Guillemot alla garantier för säljbarhet eller lämplighet för ett visst syfte.

Garantin gäller inte: (1) om produkten har modifierats, öppnats, ändrats eller skadats till följd av olämplig användning eller missbruk, försumlighet, olycka, normalt slitage eller annan orsak som inte är relaterad till material- eller tillverkningsfel (inklusive, men inte begränsat till, att kombinera Thrustmaster-produkten med någon olämplig del, i synnerhet nätaggregat, laddningsbara batterier, laddare, eller andra delar som Guillemot inte tillhandahåller för denna produkt); (2) om produkten har använts för annan användning än hemanvändning, inklusive för professionella eller kommersiella ändamål (t.ex. spelrum, träning, tävlingar); (3) om instruktionerna från teknisk support inte följs; (4) programvara, då programvaran har en egen garanti; (5) förbrukningsvaror (delar som byts ut under produktens livslängd: t.ex. engångsbatterier eller öronkuddar till headset eller hörlurar); (6) tillbehör (t.ex. kablar, fodral, påsar, väskor, handledsremmar); (7) om produkten såldes på e offentlig auktion.

Denna garanti är inte överlåtbar.

Konsumentens juridiska rättigheter med avseende på lagar som gäller för försäljning av konsumentvaror i hans land påverkas inte av denna garanti.

### Ytterligare garantibestämmelser

Under garantiperioden ska Guillemot i princip inte tillhandahålla några reservdelar eftersom teknisk support är den enda part med behörighet att öppna och/eller renovera Thrustmasters produkter (med undantag för renoveringar som teknisk support ber konsumenten att utföra med hjälp av skriftliga instruktioner – till exempel om renoveringen är enkel och ej konfidentiell – och genom att i gällande fall förse konsumenten med de reservdelar som behövs).

Med tanke på dess innovationscykler och för att skydda dess kunskaper och affärshemligheter, ska Guillemot i princip inte tillhandahålla några renoveringsinstruktioner eller reservdelar för någon Thrustmaster-produkt vars garantiperiod har löpt ut.

### Ansvar

Om det är tillåtet enligt gällande lag fransäger sig Guillemot Corporation S.A. (hädanefter "Guillemot") och dess dotterbolag allt ansvar för eventuella skador orsakade av följande: (1) produkten har modifierats, öppnats eller ändrats; (2) underlåtenhet att följa monteringsanvisningarna; (3) olämplig användning eller missbruk, försumlighet, en olycka (t.ex. att produkten tappas); (4) normalt slitage; (5) produkten har använts för annan användning än hemanvändning, inklusive för professionella eller kommersiella ändamål (t.ex. spelrum, träning, tävlingar). Om det är tillåtet enligt gällande lag fransäger sig Guillemot och dess dotterbolag allt ansvar för eventuella skador som inte är relaterade till material- eller tillverkningsfel när det gäller produkten (inklusive, men inte begränsat till, skador som direkt eller indirekt orsakats av någon programvara eller genom att kombinera Thrustmaster-produkten med någon olämplig del, i synnerhet nätaggregat, laddningsbara batterier, laddare, eller andra delar som Guillemot inte tillhandahåller för denna produkt).

**THRUSTMASTER®**

**TEKNISK SUPPORT**

<https://support.thrustmaster.com>



## UPPHÖVSRÄTTSSKYDD

©2022 Guillemot Corporation S.A. Med ensamrätt. Thrustmaster® är ett registrerat varumärke som tillhör Guillemot Corporation S.A. Tillverkas och distribueras av Guillemot Corporation S.A. Alla andra varumärken och märkesnamn erkänns härmed och tillhör sina respektive ägare. Innehåll, konstruktioner och specifikationer kan ändras utan föregående meddelande och kan variera från land till land. Foton och illustrationer är inte bindande. Designad i Nordamerika och Europa. Tillverkad i Kina.

Endast avsedd för användning med PlayStation®5-konsoler och PlayStation®4-konsoler.

"PS", "PlayStation", "PS5", "PS4" och "PlayStation Shapes Logo" är registrerade varumärken eller varumärken som tillhör Sony Interactive Entertainment Inc. Med ensamrätt. Alla andra varumärken tillhör sina respektive ägare. Tillverkas och distribueras under licens från Sony Interactive Entertainment LLC.

## MILJÖSKYDD



\* I Europeiska unionen, Storbritannien och Turkiet: När produkten har slutat fungera ska den inte slängas i vanligt hushållsavfall, utan kasseras vid en uppsamlingsplats för bortskaffandet av elektriskt och elektroniskt avfall (WEEE) för återvinning. Detta bekräftas av symbolen på produkten, bruksanvisningen eller förpackningen. Beroende på dess egenskaper kan materialet kanske återvinnas. Genom återvinning och andra sätt att hantera elektriskt och elektroniskt avfall kan du göra ett viktigt bidrag till att hjälpa till att skydda miljön.

Kontakta dina lokala myndigheter för information om uppsamlingsplatsen som är närmast dig. För alla andra länder: Följ lokala återvinningslagar för elektriskt och elektroniskt avfall.

Behåll denna information. Färger och dekorationer kan variera.

Plastfästen och lim/kliester/tejp bör avlägsnas från produkten innan den används.

[www.thrustmaster.com](http://www.thrustmaster.com)

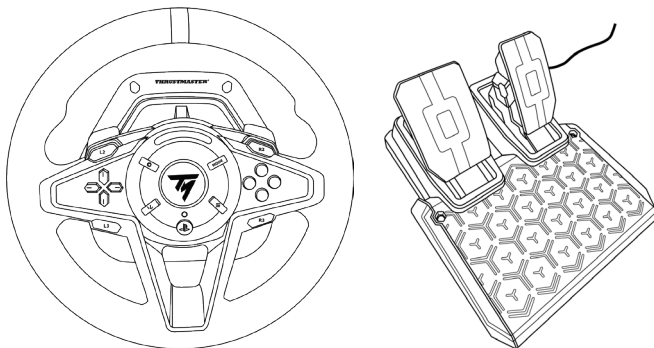
*\*Gäller endast EU, Storbritannien och Turkiet*



# T128

PlayStation®5- ja PlayStation®4-konsoleille ja PC-tietokoneelle\*

Käyttöohje



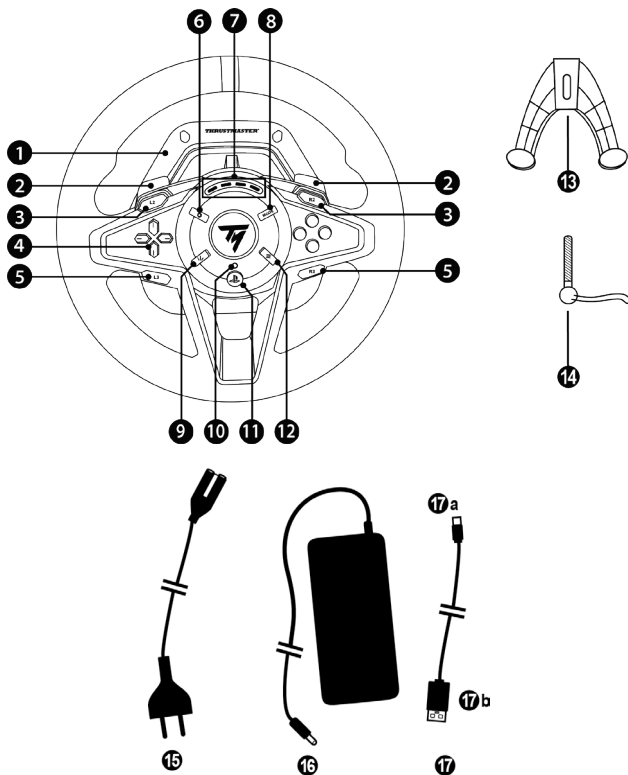
**VAROITUS:**

Jotta T128-rattiohjain toimii oikein PlayStation®5 -, PlayStation®4 - ja PC-pelien kanssa, joudut ehkä asentamaan pelin automaattiset päivitykset (saatavilla konsolin tai tietokoneen yhdistettyä internetiin).

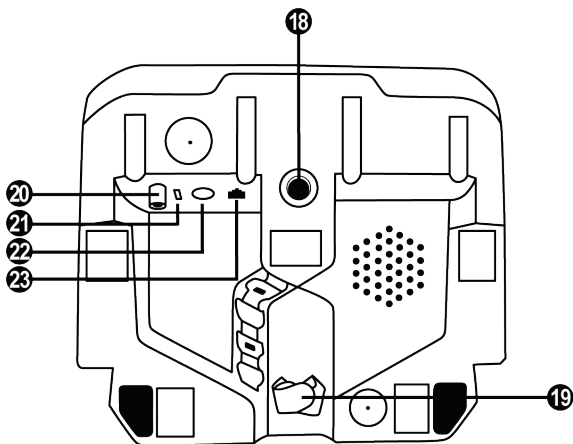
\* PC-yhteensopivuus (Windows® 10/11) ei ole Sony Interactive Entertainmentin testaama tai tukema.



## TEKNISET OMINAISUUDET



- |   |   |    |  |
|---|---|----|--|
| 1 | T128-jalusta  | 10 | Pelitilan LED (sininen, punainen tai vihreä) |
| 2 | Kaksi magneettista vaihdvipua (- ja +)                          | 11 | PS-näppäin                                   |
| 3 | L2- ja R2-näppäimet   | 12 | OPTIONS-näppäin PS4™- ja PS5™-konsolilla     |
| 4 | Suuntanäppäimet   | 13 | Kiinnitysjärjestelmä                         |
| 5 | L3- ja R3-näppäimet   | 14 | Metallinen kiinnitysruuvi                    |
| 6 | SETTINGS-painike  | 15 | Virtakaapeli (EU/US/UK...)                   |
| 7 | 4 RPM-LEDiÄ (kierrosta minuutissa)                              | 16 | Virtalähde                                   |
| 8 | MODE-painike  | 17 | USB-kaapeli: USB-C (17a) – USB-A (17b)       |
| 9 | SHARE-näppäin PS4™-konsolilla<br>CREATE-näppäin PS5™-konsolilla |    |  |



**18** Suuri reikä kierteillä (kiinnitysjärjestelmää ja -ruuvia varten)

**19** Kaapelipidike (koukku ja silmukka)

**20** Virtalähteen liitin

**21** Rattiohjaimen USB-C-liitin

**22** Mini-DIN-liitin Thrustmaster-vaihtokepille, -käsijarrulle tai -hubille (myydään erikseen)

**23** RJ12-liitin poljinsetille

# VAROITUS

Lue tämä käyttöohje huolella ja talleta se myöhempää käyttöä varten, ennen kuin käytät tuotetta.



## **Varoitus – sähköiskun vaara**

- \* Pidä tuote kuivassa paikassa, älä altista sitä pölylle tai auringonvalolle.
- \* Älä väännä tai vedä liittimiä tai kaapeleita.
- \* Älä kaada nestettä tuotteen tai sen liittinten päälle.
- \* Älä aiheuta tuotteelle oikosulkua.
- \* Älä pura tuotetta; älä heitä tuotetta tuleen tai altista sitä korkeille lämpötiloille.
- \* Älä käytä muuta virtajohtoa kuin rattiohjaimen mukana tullutta.
- \* Älä käytä virtajohtoa, mikäli johto tai sen liitin on vioittunut, haljennut tai hajonnut.
- \* Varmista, että virtajohto on liitetty kunnolla sähköpistokkeeseen sekä rattiohjaimen jalustan takana olevan liittimeen.
- \* Älä avaa rattiohjainta: sisällä on osia, jotka eivät ole käyttäjien huollettavissa. Kaikista huolloista vastaa valmistaja, sen virallinen edustaja tai pätevä asentaja.
- \* Käytä ainoastaan valmistajan määrittämiä kiinnitysjärjestelmiä/lisäosia.
- \* Jos rattiohjain toimii epänormaalisti (jos sen äänet, lämpö tai tuoksut eivät vaikuta normaaleilta), lopeta käyttö välittömästi, irrota virtajohto sähköpistokkeesta ja irrota muut kaapelit.
- \* Jos et käytä rattiohjainta pitempänä ajanjaksona, irrota sen virtajohto sähköpistokkeesta.
- \* Sähköpistokkeen on oltava laitteiden lähellä ja helposti saatavilla.



**Käytä vain käyttöohjeessa esitettyä virtälähdettä.**

## **Virtalähteen tiedot**

<b>Julkaistut tiedot</b>	<b>Arvo</b>	<b>Yksikkö</b>
Valmistajan nimi tai tavaramerkki, kaupparekisterinumero ja osoite	<b>GUILLEMOT CORPORATION S.A.</b> 414 196 758 Rennes Place du Granier BP 97143 35571 Chantepie Cedex France	
Mallin tunniste	<b>A481-1852590D</b>	
Syöttöjännite	<b>100–240</b>	V
Vaihtosähkön syöttötaajuus	<b>50–60</b>	Hz
Lähtöjännite	<b>18,5</b>	V DC
Lähtövirta	<b>2,6</b>	A
Lähtöteho	<b>47,9</b>	W
Keskimääräinen hyötösuhde	<b>87,8</b>	%
Hyötösuhde alhaisella kuormituksella (10 %)	<b>87,8</b>	%
Kuormittamattoman tilan energiankulutus	<b>0,10</b>	W



### **Tuuletusaukot**

Varmista, ettet tuki rattiohjaimen jalustassa olevia tuuletusaukkoja. Varmista optimaalinen tuuletus seuraavasti:

- \* Sijoita ratin jalusta siten, että se on ainakin 10 cm päässä seinästä.
- \* Älä aseta jalustaa ahtaisiin tiloihin.
- \* Älä peitä jalustaa.
- \* Älä anna pölyn kertyä tuuletusaukkoihin.



**Älä turvallisuussyistä johtuen käytä poljinsettiä ikinä paljain jaloin tai pelkät sukat jalassa.**

**THRUSTMASTER® KIELTÄÄ KAIKEN VASTUUN, MIKÄLI LOUKKAANTUMINEN JOHTUU POLJINSETIN KÄYTÖSTÄ ILMAN KENKIÄ.**



### **Varoitus – ohjauspalautteen ja toistuvan liikkeen aiheuttamat vammat**

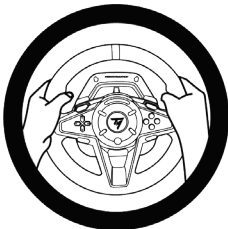
Rattiohjaimen ohjauspalautteen käyttäminen voi johtaa lihas- tai nivelkipuihin. Vältä ääksesi mahdolliset ongelmat:

- \* Vältä pitkiä peli-istuntoja.
- \* Vietä 10–15 minuutin tauko jokaisen pelitunnin jälkeen.
- \* Mikäli tunnet väsymystä tai kipua käsissäsi, ranteissasi, säärissäsi tai jaloissasi, lopeta pelaaminen ja lepää muutaman tunnin ajan, ennen kuin aloitat uudelleen.
- \* Mikäli oireet tai kivut jatkuvat aloittaessasi pelin uudelleen, lopeta pelaaminen ja kysy neuvoa lääkäriltä.
- \* Pidä lasten ulottumattomissa.
- \* Pidä pelin aikana molemmat kädet oikeassa kohdassa rattia päästämättä kokonaan irti.
- \* Älä koskaan aseta pelin aikana käsiäsi tai sormiasi polkimien alle tai poljinsetin lähelle.
- \* Älä koskaan aseta kalibroinnin ja pelin aikana käsiäsi tai käsivarsiasi rattiohjaimen aukkojen läpi.
- \* Varmista, että rattiohjaimen jalusta on kiinnitetty kunnolla tässä käyttöohjeessa esitetyllä tavalla.



Tuote on tarkoitettu vain vähintään 14-vuotiaille käyttäjille.

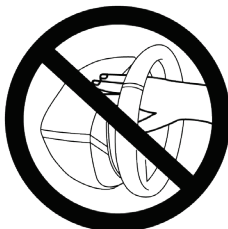
AINA



EI IKINÄ



EI IKINÄ



**Varoitus – poljinsetin puristusvaara pelattaessa**

- \* Pidä poljinsetti lasten ulottumattomissa.
- \* Älä koskaan aseta pelin aikana sormiasi polkimien sivustan päälle tai lähelle.
- \* Älä koskaan aseta pelin aikana sormiasi polkimien jalustan takaosan päälle tai lähelle.
- \* Älä koskaan aseta pelin aikana sormiasi polkimien jalustan etuosan päälle tai lähelle.

EI IKINÄ



EI IKINÄ



EI IKINÄ



**Varoitus – poljinsetin puristusvaara pelien ulkopuolella**

- \* Varastoi poljinsetti turvalliseen paikkaan ja pidä se lasten ulottumattomissa.

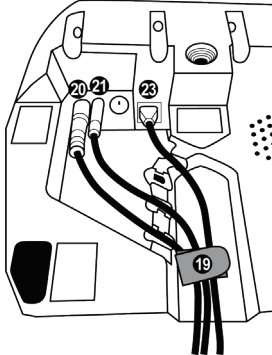
# RATTIOHJAIMEN KIINNITYS

## Rattiohjaimen kiinnitys pöytään

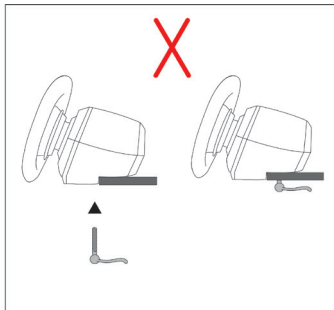
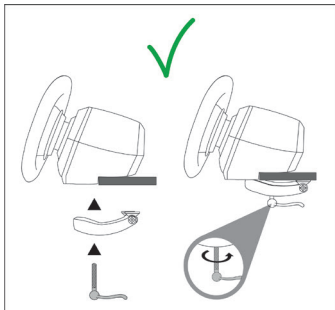
Aloita kiinnittämällä ratin alaosaan:

- virtälähde (20);
- pikairrotettava USB-C-kaapeli (17a) USB-C-liittimeen (21);
- T2PM-poljinsetti (23).

Muista seurata eri kaapeleiden kulkureittejä ja kiinnitä kaapelit kaapelipidikkeeseen (19).



1. Aseta rattiohjain pöydälle tai mille tahansa horisontaaliselle, tasaiselle ja vakaalle pinnalle.
2. Aseta kiinnitsruuvi (14) kiinnitysjärjestelmään (13), kiristä sitten laite kääntämällä ruuvia vastapäivään, sen mennessä rattiohjaimen pohjassa olevaan suureen, kierteillä varustettuun reikään (18), kunnes ratti on täysin vakaa.



**VAROITUS:** Älä koskaan kiristä pelkästään ruuvia ilman, että kiinnitysjärjestelmä on paikallaan!

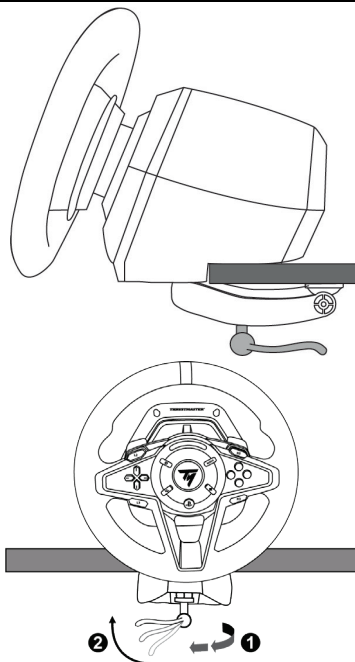
Se voi vahingoittaa rattiohjainta.

LIITTÄMINEN/  
IRROTTAMINEN

SUUNTA

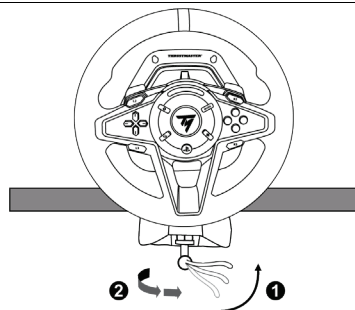
**Kiinnitys:**

*Käännä ruuvia  
vastapäivään*



**Irrotus:**

*Käännä ruuvia  
myötäpäivään*



## ASENNUS

### RATTIOHJAIMEN JA POLJINSETIN AUTOMAATTINEN KALIBROINTI

Ratti kalibroi itsensä automaattisesti, kun rattiohjain kiinnitetään sähköpistokkeeseen ja rattiohjaimen USB-liitin yhdistetään PlayStation®5- tai PlayStation®4-konsoliin tai PC-tietokoneeseen. Toimenpiteen aikana rattiohjain kääntyy nopeasti vasemmalle ja oikealle, kattaen 900 asteen kulman, ennen kuin se pysähtyy keskelle.



**VAROITUS:**

**Älä koskaan koske rattiohjaimen sen kalibroidessa itseään!  
(Se voi johtaa virheelliseen kalibrointiin ja/tai vammoihin.)**

Älä ikinä yhdistä poljinsettiä rattiohjaimen jalustaan (tai irrota sitä jalustasta), kun se on yhdistetty PlayStation®-konsoliin tai PC-tietokoneeseen, tai pelin aikana (se voi johtaa virheelliseen kalibrointiin). Yhdistä poljinsetti aina ennen rattiohjaimen yhdistämistä PlayStation®5- tai PlayStation®4-konsoliin tai PC-tietokoneeseen.

Kun rattiohjaimen kalibrointi on suoritettu ja peli käynnistetty, polkimet kalibroivat itsensä automaattisesti muutaman painalluksen jälkeen.



**VAROITUS:**

**Älä ikinä paina polkimia rattiohjaimen  
itsekalibrointivaiheen aikana, tai kun peliä ladataan!  
(Se voi johtaa virheelliseen kalibrointiin.)**

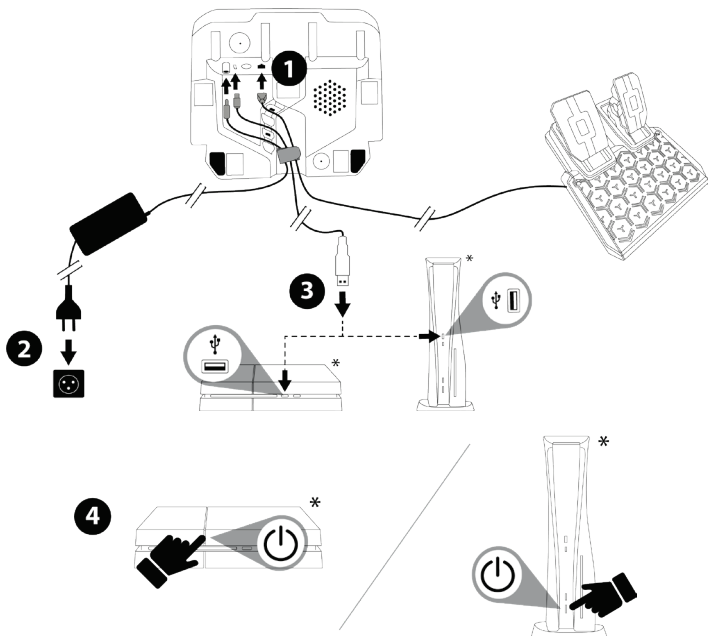
#### **Jos rattiohjain ja/tai poljinsetti ei toimi oikein tai ne eivät vaikuta oikein kalibroiduilta:**

- Sammuta konsoli tai tietokone ja irrota rattiohjain täysin. Yhdistä sitten kaikki johdot (mukaan lukien virtajohto ja poljinsetti) ja käynnistä konsoli (tai tietokone) sekä peli uudelleen.
- Määritä poljinsetti uusiksi **oletustilassa** käyttämällä myöhemmin tässä käyttöohjeessa ilmoitettuja toimia (sivulla 16).



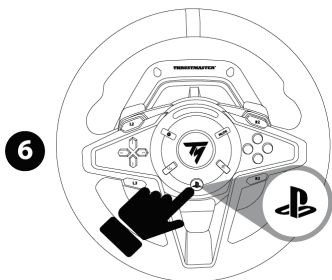
## ASENNUS PLAYSTATION®4- TAI PLAYSTATION®5-KONSOLILLE

1. Yhdistä T2PM-poljinsetti jalustan RJ12-liittimeen **(23)**.
2. Yhdistä virtakaapeli ja virtalähde sähköpistokkeeseen.
3. Yhdistä USB-C-kaapeli **(17a)** jalustan USB-C-porttiin **(21)**.  
Yhdistä USB-A-kaapeli **(17b)** PS4™-konsolin tai PS5™-konsolin USB-A-porttiin.
4. Käynnistä PlayStation®4- tai PlayStation®5-konsoli. Rattiohjain kalibrooi itsensä automaattisesti.



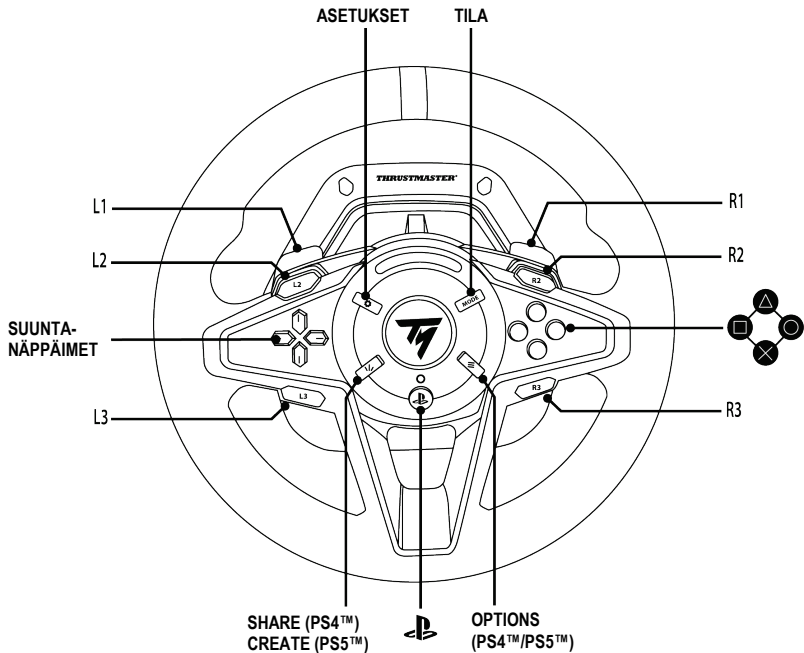
\* Ei tule mukana

5. Valitse haluamasi pelitila, mikäli tarpeen, myöhemmin tässä käyttöohjeessa (sivulla 15) ilmoitun prosessin mukaisesti.
6. Paina rattiohjaimen PS-näppäintä **(11)** ja kirjaudu PlayStation™Network-tiilillesi, jotta rattiohjain on toimintakelpoinen.



***Olet nyt pelivalmis!***

# PLAYSTATION®4- TAI PLAYSTATION®5-KONSOLIN MÄÄRITYKSET



## **Huomautukset PS4™- tai PS5™-konsolille:**

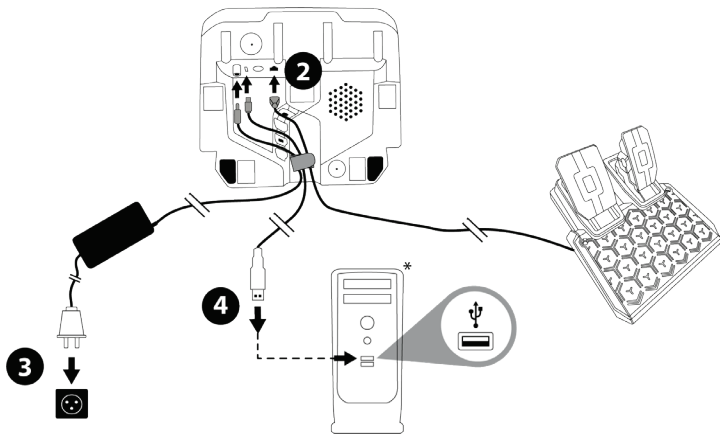
- Rattiohjain tunnistetaan peleissä Thrustmaster T-GT- tai Thrustmaster Advanced Racer -rattiohjaimena.
- Moottorin kierrosnopeuden neljä RPM-LEDIÄ (7) toimivat peleissä, jotka ovat yhteensopivia Thrustmaster SDK:n kanssa. Lista yhteensopivista peleistä löytyy täältä: <https://support.thrustmaster.com> (osiosta **Racing Wheels / T128 / Games Settings**). Listaa päivitetään säännöllisesti.
- Lista T128-rattiohjaimen kanssa yhteensopivista PlayStation®4- ja PlayStation®5-peleistä löytyy täältä: <https://support.thrustmaster.com> (osiosta **Racing Wheels / T128 / Games Settings**). Listaa päivitetään säännöllisesti.

## ASENNUS PC-TIETOKONEELLE\*

\* PC-yhteensopivuus (Windows® 10/11) ei ole Sony Interactive Entertainmentin testaama tai tukema.

1. Mene osoitteeseen <https://support.thrustmaster.com> lataaksesi ajurit ja ohjauspalautteen ohjelmisto tietokoneelle. Napsauta **Racing Wheels / T128 / Drivers**.
2. Yhdistä T2PM-poljinsetti jalustan RJ12-liittimeen (23).
3. Yhdistä virtakaapeli ja virtalähde sähköpistokkeeseen.
4. Yhdistä USB-C-kaapeli (17a) jalustan USB-C-porttiin (21).
5. Yhdistä USB-A-kaapeli (17b) PC-tietokoneen USB-A-porttiin.

Rattiohjain kalibroi itsensä automaattisesti.

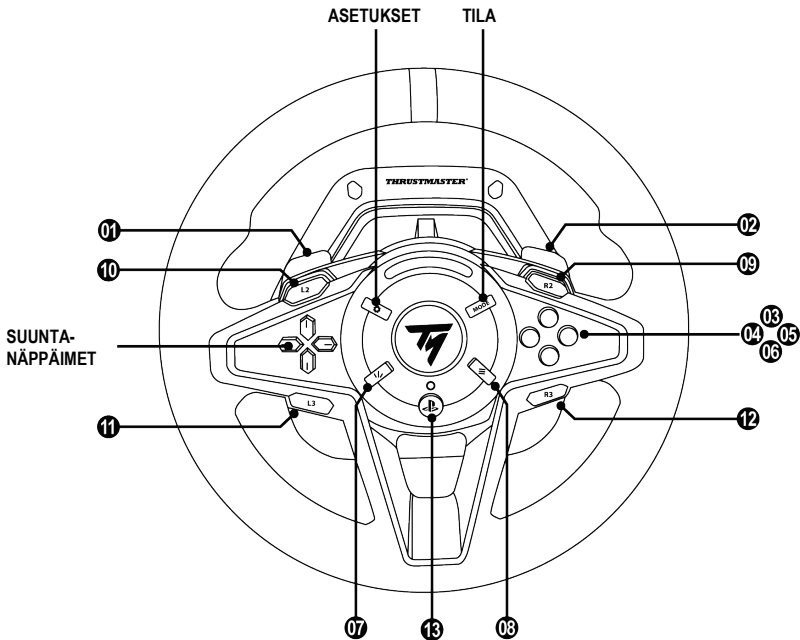


6. Valitse **Aloita / Thrustmaster / FFB Racing Wheel / Control Panel** (Ohjauspaneeli) avataksesi **Game Controllers** (Peliohjaimet) -ikkunan. **Game Controllers** -ikkunassa näkyy rattiohjaimen nimi, **Thrustmaster Advanced Mode Racer**, ja sen tila on **OK**.

7. Määritä rattiohjain T128-ohjauspaneelissa napsauttamalla kohtaa **Properties** (Ominaisuudet):

- **Test Device -välilehti:** Sallii toimintopainikkeiden, suuntanäppäinten ja rattiohjaimen akselien (sekä poljinsetin akselien) testaamisen ja tarkastelun sekä rattiohjaimen kääntösaiteen säädön PC-peleissä.
- **Test Forces -välilehti:** Sallii 12 ohjauspalautetehosteiden testaamisen.
- **Adjust Forces -välilehti:** Sallii ohjauspalautetehosteiden voimakkuuden säädön PC-peleissä.

# PC-MÄÄRITYKSET



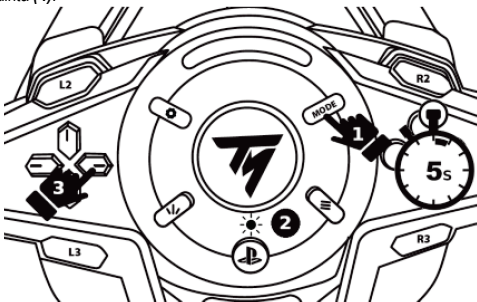
## Huomiot PC:lle

- Rattiohjain tunnustetaan ohjauspaneelissa ja peleissä **Thrustmaster Advanced Mode Racer** -nimellä.
- Muista aina sulkea **Game Controllers** -ikkuna kokonaan napsauttamalla **OK** ennen pelin käynnistämistä.
- **Game Controllers** -ikkunassa tehdyt asetukset ja säädöt tallennetaan vain tietokoneellesi (ne eivät ole siten voimassa PS4™- tai PS5™-konsolilla).
- Rattiohjaimen laiteohjelmiston versio ilmestyy T128-ohjauspaneelin välilehtien oikeaan yläkulmaan.
- Moottorin kierrosnopeuden neljä RPM-LEDIÄ (7) toimivat PC-peleissä, jotka ovat yhteensopivia Thrustmaster SDK:n kanssa. Lista yhteensopivista peleistä löytyy täältä: <https://support.thrustmaster.com> (osiosta **Racing Wheels / T128 / Games Settings**). Listaa päivitetään säännöllisesti.

## PELITILAN VALINTA

### Toimenpide:

1. Paina ja pidä MODE-painiketta (8) painettuna 5 sekunnin ajan, kunnes PS-näppäimen yllä oleva LED (10) alkaa vilkkua.
2. Älä vapauta MODE-painiketta (8), vaan valitse haluamasi pelitila painamalla samalla oikean käden suuntanäppäintä (4).



LEDIN VÄRI ☀	PELITILA
SININEN	PLAYSTATION® NORMAALI YHTEENSOPIVUUS (oletustila)
PUNAINEN	PLAYSTATION® TULEVA YHTEENSOPIVUUS
VIHREÄ	PC

Kun pelitila on valittu, vapauta painikkeet: valintasi tallennetaan rattiohjaimen sisäiseen muistiin. Rattiohjain käynnistyy uudelleen ja kalibroi itsensä.

### Huomautus:

- PlayStation®4- ja PlayStation®5-konsoleilla: jotta T128-rattiohjain on toimintakelpoinen itsekalibroinnin jälkeen, paina PS-näppäintä (11) ja kirjautu PlayStation™Network-tilillesi.
- Lista T128-rattiohjaimen (ja vastaavan pelitilan) kanssa yhteensopivista PlayStation®4- ja PlayStation®5-peleistä löytyy täältä: <https://support.thrustmaster.com> (osiosta **Racing Wheels / T128 / Games settings**). Listaa päivitetään säännöllisesti.

## POLJINSETIN TILA

(Esitetään aina rattiohjaimen käynnistyessä uudelleen)

Joka kerta, kun rattiohjain käynnistyy uudelleen (ja se on kalibrointu itsensä), neljä RPM-LEDIÄ (7) ilmoittavat poljinsetille määrätyn tilan (asennon ja tyypin).

### Asento:

- **NORMAALI:** oletusasento;
- tai **KÄÄNTEINEN:** tässä asennossa kaasu- ja kytkinpolkimet ovat käänteiset – asento on käytettävissä vain kolmen polkimen seteillä.

### Tyyppi:

- **T2PM-T3PA-T3PM** ilman Load Cell -teknologiaa: **oletustyyppi**;
- tai **T-LCM** Load Cell -teknologialla.

POLJINSETIN TILA	RPM-LEDIEN (7) VILKKUMINEN
<b>OLETUSTILA</b> - NORMAALI asento - T2PM-T3PA-T3PM-tyyppi	<b>OLETUSTILA</b> 
- NORMAALI asento - T-LCM-tyyppi	
- KÄÄNTEINEN asento - T2PM-T3PA-T3PM-tyyppi	
- KÄÄNTEINEN asento - T-LCM-tyyppi	

## POLJINSETIN UDELLEENMÄÄRITTÄMINEN OLETUSTILASSA (Suoritetaan, kun poljinsetti ei toimi oikein)

### Toimenpide:

- Paina **SETTINGS**-painiketta (6) **NOPEASTI** 8 kertaa.



Neljä RPM-LEDIÄ (7) vilkkuvat samanaikaisesti viisi kertaa ilmoittaakseen uudelleenmäärittämisestä oletustilassa.





## KÄÄNTEISET POLKIMET (Jos käytössä on kolmen polkimen setti)

T128-rattiohjaimen mukana tulee oletusarvoisesti kahden polkimen T2PM-poljinsetti. Tämä rattiohjain on myös yhteensopiva Thrustmasterin kolmen polkimen T3PA-, T3PM- ja T-LCM-poljinsettien kanssa (myydään erikseen).

Jos sinulla on käytössä kolmen polkimen setti, voit sähköisesti vaihtaa kaas- ja kytkinpoljinten paikkoja.

### Toimenpide:

- Pidä **SETTINGS**-painiketta (6) painettuna **5 sekunnin** ajan.



Poljinten käänteiset paikat tallennetaan välittömästi rattiohjaimen sisäiseen muistiin, ja yksi neljästä RPM-LEDISTÄ (7) vilkkuu kolme kertaa ilmoittaakseen valitusta asennosta.

KAASU- JA KYTKINPOLKIMET	RPM-LEDIEN (7) VILKKUMINEN
<b>OLETUSTILA</b> - NORMAALI asento	
- KÄÄNTEINEN asento	

# POLJINSETIN MANUAALINEN VAIHTO T2PM-T3PA-T3PM-TYYPISTÄ T-LCM-TYYPPIIN (ja takaisin)

Poljinsetin tyyppi on oletusarvoisesti **T2PM-T3PA-T3PM**.

Tämä tyyppi on tallennettu rattiohjaimen jalustan sisäiseen muistiin ja pysyy aktiivisena, ellei yhdistä T-LCM-poljinsettiä RJ12-porttiin tai vaihda tyyppiä manuaalisesti.

## Toimenpide:

- Pidä yhtä aikaa sekä **SETTINGS**-painiketta (6) että **vasenta vaihdevipua (-)** painettuna **5 sekunnin** ajan.

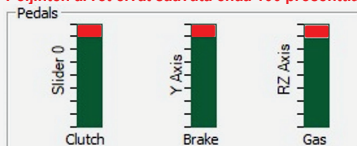


TILA	RPM-LEDIEN (7) VILKKUMINEN
<b>OLETUSTYYPPI</b> - T2PM-T3PA-T3PM- tyyppi	
- T-LCM-tyyppi	



**T2PM-, T3PA- ja T3PM-poljinsetit eivät toimi T-LCM-tyypin kanssa oikein.**

**Poljinten arvot eivät saavuta enää 100 prosenttia.**



**Jotta ne toimivat oikein (ja saavuttavat 100 %), tyyppi on vaihdettava manuaalisesti rattiohjaimen jalustasta T2PM-T3PA-T3PM-tyypiksi.**

## RATTIOHJAIMEN KÄÄNTÖKULMAN MANUAALINEN MUUTTAMINEN (vain peleissä joissa kääntökulmaa ei säädetä automaattisesti)

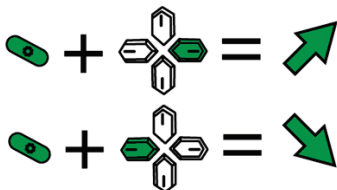
T128-rattiohjaimen kääntökulma on säädettävissä välillä 270°–900°.

Monissa peleissä rattiohjaimen kääntökulma on automaattinen ja säädetään käytetyn auton mukaan. Näissä peleissä kääntökulmaa ei voi muuttaa manuaalisesti, sillä toiminto on pelin eikä käyttäjän hallinnassa.

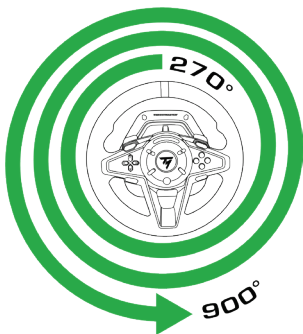
Muissa peleissä kääntökulmaa voi muuttaa manuaalisesti suoraan rattiohjaimesta käsin.

### Toimenpide:

- Paina yhtä aikaa sekä **SETTINGS**-painiketta (6) että **oikeaa suuntanäppäintä** (4) kasvattaaksesi kääntökulmaa yhdellä askeleella; tai
- Paina yhtä aikaa sekä **SETTINGS**-painiketta (6) että **vasenta suuntanäppäintä** (4) pienentääksesi kääntökulmaa yhdellä askeleella.



Neljä mahdollista tasoa	
Valittu kääntökulma	RPM-LEDIT (7)
270°	
360°	
540°	
900°	



**Ota huomioon:** Manuaalisesti muutettua rattiohjaimen kääntökulmaa ei tallenneta pysyvästi. Tämä toimenpide on suoritettava joka kerta, kun peli tai rattiohjain käynnistetään uudelleen.

## **MUUT SETTINGS-PAINIKKEEN (6) TOIMINNOT**

Käy osoitteessa <https://support.thrustmaster.com>.

Napsauta **Racing Wheels / T128** ja valitse sitten **Manual** (Ohje) tai **FAQ** (UKK).

## **RATTIOHJAIMEN LAITEOHJELMISTON PÄIVITTÄMINEN**

Vieraile osoitteessa <https://support.thrustmaster.com>.

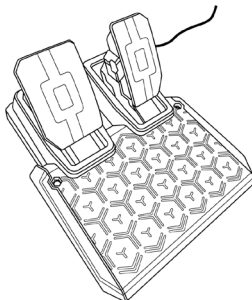
Napsauta **Racing Wheels / T128 / Firmware** (Laiteohjelmisto) ja seuraa sitten ohjeita.

## **VINKKEJÄ JA USEIN KYSYTTÄJÄ KYSYMYKSIÄ**

Vieraile osoitteessa <https://support.thrustmaster.com>.

Napsauta **Racing Wheels / T128** ja valitse sitten **Manual** (Ohje) tai **FAQ** (UKK).

# T2PM-POLJINSETTI



## VAROITUS

Lue tämä käyttöohje huolella ja talleta se myöhempää käyttöä varten, ennen kuin käytät tuotetta.



Älä turvallisuussyistä johtuen käytä poljinsettiä ikinä paljain jaloin tai pelkät sukat jalassa.

**THRUSTMASTER® KIELTÄÄ KAIKEN VASTUUN, MIKÄLI LOUKKAANTUMINEN JOHTUU POLJINSETIN KÄYTÖSTÄ ILMAN KENKIÄ.**



### Varoitus – poljinsetin puristusvaara pelattaessa

- \* Pidä poljinsetti lasten ulottumattomissa.
- \* Älä koskaan aseta pelin aikana sormiasi polkimien sivustan päälle tai lähelle.
- \* Älä koskaan aseta pelin aikana sormiasi polkimien jalustan takaosan päälle tai lähelle.
- \* Älä koskaan aseta pelin aikana sormiasi polkimien jalustan etuosan päälle tai lähelle.

**EI IKINÄ**



**EI IKINÄ**



**EI IKINÄ**

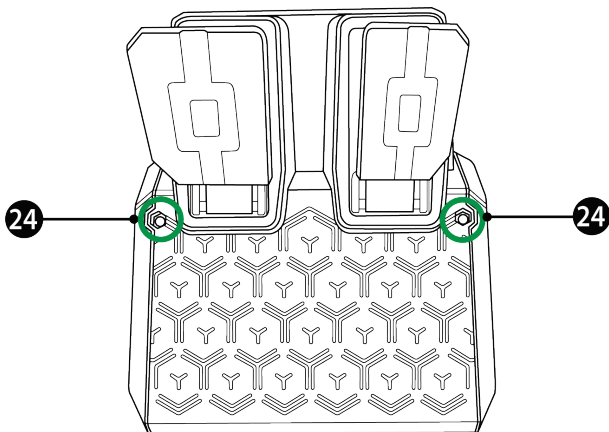


### Varoitus – poljinsetin puristusvaara pelien ulkopuolella

- \* Varastoi poljinsetti turvalliseen paikkaan ja pidä se lasten ulottumattomissa.

## POLJINSETIN YHDISTÄMINEN TUKEEN TAI OHJAAMOON

Poljinsetti voidaan yhdistää moneen erilaiseen tukeen (myydään erikseen) kahta reikää (24) käyttämällä, jotka löytyvät poljinsetin molemmilta puolilta.



**Jos rattiohjain ja/tai poljinsetti ei toimi oikein tai ne eivät vaikuta oikein kalibroituilta:**

Sammuta konsoli tai tietokone ja irrota rattiohjain täysin. Yhdistä sitten kaikki johdot (mukaan lukien virtajohto ja poljinsetti) ja käynnistä konsoli (tai tietokone) sekä peli uudelleen.

## **Kuluttajan takuutiedot**

Maailmanlaajuinen, Guillemot Corporation S.A., jonka rekisteröity toimisto sijaitsee osoitteessa Place du Granier, B.P. 97143, 35571 Chantepie, France (tästä eteenpäin "Guillemot"), takaa asiakkaalle, että tämä Thrustmaster-tuote on materiaaleista ja työn laadusta johtuvista vioista vapaa takuujan verran. Kaikki toimet sen noudattamiseksi on nostettava tämän aikarajan sisällä. Euroopan Union jäsenvaltioissa se vastaa kahta (2) vuotta Thrustmaster-tuotteen toimituksesta. Muissa maissa takuu-aika vastaa Thrustmaster-tuotteen noudattamisvaatimusten aikarajaa sen maan asiaankuuluvien lakien mukaisesti, jonka asukas kuluttaja oli Thrustmaster-tuotteen ostopäivänä (mikäli kyseisessä maassa ei ole tällaisia vaatimuksia, takuujan kesto on yksi (1) vuosi Thrustmaster-tuotteen ostopäivästä).

Yllä olevasta huolimatta ladattavilla akuilla on kuuden (6) kuukauden takuu ostopäivästä lähtien.

Mikäli tuote vaikuttaa takuujan aikana vialliselta, ota välittömästi yhteyttä tekniseen tukeen, joka kertoo noudettavista toimenpiteistä. Jos vika vahvistetaan, tuote täytyy palauttaa sen ostopaikkaan (tai muuhun teknisen tuen osoittamaan paikkaan).

Tämän takuun puitteissa kuluttajan viallinen tuote joko korvataan uudella tai palautetaan toimintakuntoon teknisen tuen valinnan mukaan. Jos takuujan aikana Thrustmaster-tuotteelle tehdään korjaustoimia, mikä tahansa vähintään seitsemän (7) päivää kestänyt jakso, jolloin tuote ei ole käytettävissä, lisätään se jäljellä olevaan takuu-aikaan (tämä jakso alkaa siitä päivästä, kun asiakas pyytää tukitoimia tai kun kyseessä oleva tuote luovutetaan korjattavaksi, mikäli korjaukseen luovuttamisen päivämäärä on myöhäisempi kuin tukitoimipyynnön). Mikäli asiaankuuluva laki sen sallii, Guillemotin ja sen tytäryhtiöiden täysi vastuuvollisuus (mukaan lukien välilliset vahingot) rajoittuvat Thrustmaster-tuotteen toiminnan palauttamiseen tai sen korvaamiseen uudella. Mikäli asiaankuuluva laki sen sallii, Guillemot kiistää kaikki takuut tuotteen myytävyydestä tai sopivuudesta tiettyyn tarkoitukseen.

Tämä takuu ei ole voimassa: (1) mikäli tuotetta on muokattu, avattu, muunneltu tai se on kärsinyt vahinkoa epäasiallisen tai huonon käytön, huolimattomuuden, onnettomuuden, tavallisen kulumisen tai minkä tahansa muun syyn johdosta, joka ei liity materiaali- tai valmistusvirheisiin (mukaan lukien, mutta rajoittumatta, Thrustmaster-tuotteen yhdistäminen epäsoveliaan osan kanssa, erityisesti virtalähteet, ladattavat akut, laturit tai muut tuotteet, joita Guillemot ei ole toimittanut tälle tuotteelle); (2) mikäli tuotetta on käytetty missä tahansa muussa kuin kotikäytössä, mukaan lukien ammattimaisessa tai kaupallisessa käytössä (esim. pelihuoneet, koulutus ja kilpailut); (3) mikäli vian ilmetessä teknisen tuen ohjeita ei ole noudatettu; (4) ohjelmistojen kohdalla, kyseisellä ohjelmistolla on erillinen takuu; (5) käyttöesineiden kohdalla (tuotteen eliniän aikana vaihdettavat osat: esim. kertakäyttöiset paristot, kuulokkeet tai kuuloketyyny); (6) lisälaitteiden kohdalla (esim. kaapelit, kotelot, pussit, laukut ja rannekkeet); (7) mikäli tuote myytiin julkisessa huutokaupassa.

Tätä takuuta ei voi siirtää.

Tämä takuu ei vaikuta kuluttajan laillisiin oikeuksiin hänen maassaan, mitä tulee kuluttajatuotteiden myyntiin.

### **Ylimääräiset takuehdot**

Takuuajan aikana Guillemot ei lähtökohtaisesti tarjoa varaosia, sillä tekninen tuki on ainoa osapuoli, joka on valtuutettu avaamaan ja/tai korjaamaan Thrustmaster-tuotteita (pois lukien sellaiset korjaustoimet, joita tekninen tuki saattaa pyytää kuluttajaa tekemään kirjallisten ohjeiden kautta – esimerkiksi korjaustoimen yksinkertaisuuden ja salassapitotarpeiden puuttumisen vuoksi – ja toimittamalla kuluttajalla vaadittavat varaosat, jos ne ovat tarpeellisia).

Innovaatiosykleistä johtuen ja suojellakseen tietotaitoaan sekä liikesalaisuuksiaan Guillemot ei lähtökohtaisesti tarjoa mitään uudelleenkäsitteilyilmoituksia tai varaosia Thrustmaster-tuotteille, joiden takuaika on umpeutunut.

### **Vastuuvollisuus**

Mikäli asiaankuuluva laki sen sallii, Guillemot Corporation S.A. (tästä eteenpäin "Guillemot") ja sen tytäryhtiöt kiistävät vastuunsa kaikista vahingoista, jotka johtuvat yhdestä tai useammasta seuraavasta: (1) tuotetta on muokattu, avattu tai muunneltu; (2) kokoamisohjeita ei ole noudatettu; (3) epäasiallisen tai huonon käytön, huolimattomuuden tai onnettomuuden (esim. isku) johdosta; (4) tavallisen kulumisen johdosta; (5) tuotetta on käytetty missä tahansa muussa kuin kotikäytössä, mukaan lukien ammattimaisessa tai kaupallisessa käytössä (esim. pelihuoneet, koulutus ja kilpailut). Mikäli asiaankuuluva laki sen sallii, Guillemot ja sen tytäryhtiöt kiistävät vastuunsa kaikista vahingoista, jotka eivät liity tuotteen materiaali- tai valmistusvirheisiin (mukaan lukien, mutta rajoittumatta, ohjelmiston suoraan tai epäsuoraan aiheuttamat vahingot, tai yhdistämällä Thrustmaster-tuote minkä tahansa epäsojivan osan kanssa, mukaan lukien tietyt virtalähteet, ladattavat akut, laturit tai muut osat, joita Guillemot ei ole toimittanut tälle tuotteelle).

**THRUSTMASTER®**

**TEKNINEN TUKI**

<https://support.thrustmaster.com>





## TEKIJÄNOIKEUS

© 2022 Guillemot Corporation S.A. Kaikki oikeudet pidätetään. Thrustmaster® on Guillemot Corporation S.A. -yhtiön rekisteröity tavaramerkki. Guillemot Corporation S.A. -yhtiön valmistama ja jakelma. Kaikki muut tavaramerkit ja tuotenimet ovat täten tunnustettuja ja haltijoidensa omaisuutta. Sisältö, mallit ja tavaraselosteet voivat muuttua ilman erillistä ilmoitusta ja vaihdella maasta toiseen. Valokuvat ja kuvitukset eivät ole sitovia. Suunniteltu Pohjois-Amerikassa ja Euroopassa, valmistettu Kiinassa.

Tarkoitettu vain PlayStation®5-konsolilla ja PlayStation®4-konsolilla käytettäväksi.

"PS", "PlayStation", "PSS", "PS4" ja "PlayStation Shapes Logo" ovat Sony Interactive Entertainment Inc. -yhtiön rekisteröityjä tavaramerkkejä. Kaikki oikeudet pidätetään. Kaikki muut tavaramerkit ovat haltijoidensa omaisuutta. Valmistettu ja jaeltu Sony Interactive Entertainment LLC -yhtiön lisenssin alaisesti.

## YMPÄRISTÖNSUOJELUSUOSITUS



\* Euroopan unionissa, Iso-Britanniassa ja Turkissa: Käyttöikänsä päätyttyä tätä tuotetta ei pidä laittaa kodin sekajätteeseen, vaan se tulee viedä sähkö- ja elektroniikkalaiteromun (SER/WEEE) keräyspisteeseen kierrätettäväksi.

Tämä vahvistetaan tuotteesta, käyttöohjeesta sekä pakkauksesta löytyvällä symbolilla.

Ominaisuuksistaan riippuen materiaalit voidaan kierrättää. Voit kierrätyksen ja muun sähkö- ja elektroniikkaromun käsittelyn avulla auttaa merkittävästi ympäristön suojelussa.

Ota yhteyttä paikallisiin viranomaisiin saadaksesi tietoa lähimmästä keräyspisteestä.

Muissa maissa: Noudata paikallisia sähkö- ja elektroniikkaromun kierrätyslakeja.

Pidä nämä tiedot tallessa. Värit ja koristeet voivat vaihdella.

Muoviset kiinnittimet ja tarrat tulee poistaa ennen tuotteen käyttöä.

[www.thrustmaster.com](http://www.thrustmaster.com)

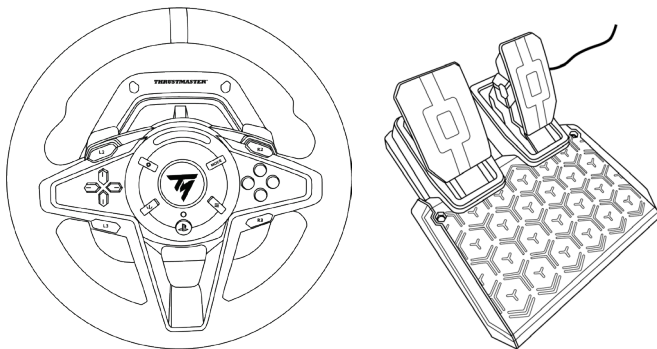
\* Voimassa vain EU:ssa, Iso-Britanniassa ja Turkissa



# T128

Pre konzoly Playstation®5, konzoly Playstation®4 a PC\*

Používateľská príručka



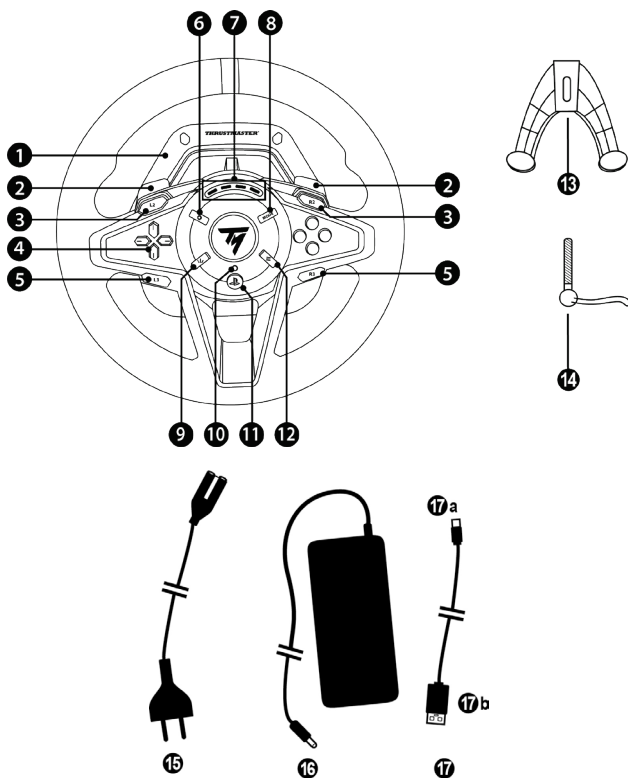
## **VAROVANIE:**

Aby ste sa uistili, že váš pretekársky volant T128 funguje správne s hrami na konzolách Playstation®5, konzolách Playstation®4 alebo PC, možno budete musieť nainštalovať automatické aktualizácie hry.

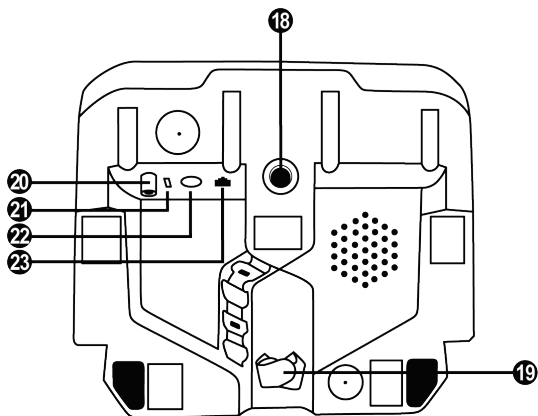
*(k dispozícii, keď je vaša konzola alebo počítač pripojený k internetu).*

\*Kompatibilita s PC (Windows® 10/11) nebola testovaná ani schválená spoločnosťou Sony Interactive Entertainment.

## TECHNICKÉ VLASTNOSTI



- |   |   |    |  |
|---|---|----|--|
| 1 | Základňa T128   | 10 | LED dióda herného režimu (modrá, červená alebo zelená) |
| 2 | 2 magnetické pádla radenia (- a +)                                    | 11 | Tlačidlo PS  |
| 3 | Tlačidlá L2 a R2  | 12 | Tlačidlo OPTIONS na konzolách PS4™ a PS5™              |
| 4 | Smerové tlačidlá  | 13 | Upevňovací systém                                      |
| 5 | Tlačidlá L3 a R3  | 14 | Kovová upevňovacia skrutka                             |
| 6 | Tlačidlo NASTAVENIA   | 15 | Napájací kábel (EÚ/USA/UK...)                          |
| 7 | 4 RPM LED diódy (zobrazenie otáčok motora)                            | 16 | Napájací adaptér                                       |
| 8 | Tlačidlo MODE   | 17 | USB kábel: USB-C (17a) – USB-A (17b)                   |
| 9 | Tlačidlo SHARE na konzolách PS4™<br>Tlačidlo CREATE na konzolách PS5™ |    |  |



- 18** Veľký otvor so závitom (pre upevňovací systém a upevňovaciu skrutku)  
**19** Držiak káblov so suchým zipsom  
**20** Konektor napájacieho adaptéra

- 21** USB-C konektor pretekárskeho volantu  
**22** Mini-DIN konektor pre radiacu páku Thrustmaster, ručnú brzdu alebo hub (predávané samostatne)  
**23** RJ12 konektor pre pedálovú sadu

# VAROVANIE

Pred použitím tohto produktu si pozorne prečítajte tento návod a uschovajte ho pre neskoršie použitie.



## Varovanie – úraz elektrickým prúdom

- \* Výrobok uchovávajte na suchom mieste a nevystavujte ho prachu ani slnečnému žiareniu.
- \* Neskrúcajte ani neťahajte za konektory a káble.
- \* Na produkt ani jeho konektory nevyliievajte žiadnu tekutinu.
- \* Neskratujte výrobok.
- \* Výrobok nikdy nerozoberajte; nehádzte ho do ohňa a nevystavujte ho vysokým teplotám.
- \* Nepoužívajte iný napájací kábel než ten, ktorý ste dostali s pretekárskym volantom.
- \* Nepoužívajte napájací kábel, ak sú kábel alebo jeho konektory poškodené, rozdelené alebo zlomené.
- \* Uistite sa, že napájací kábel je správne zapojený do elektrickej zásuvky a správne pripojený ku konektoru na zadnej strane základne pretekárskeho volantu.
- \* Pretekársky volant neotvárajte: vo vnútri sa nenachádzajú žiadne časti, ktoré by mohol opraviť používateľ. Akékoľvek opravy musí vykonať výrobca, jeho autorizovaný zástupca alebo kvalifikovaný technik.
- \* Používajte iba upevňovacie systémy/príslušenstvo špecifikované výrobcom.
- \* Ak pretekársky volant funguje abnormálne (ak vydáva abnormálne zvuky, teplo alebo zápach), okamžite ho prestaňte používať, odpojte napájací kábel z elektrickej zásuvky a odpojte ostatné káble.
- \* Ak nebudete pretekársky volant dlhší čas používať, odpojte jeho napájací kábel z elektrickej zásuvky.
- \* Elektrická zásuvka sa musí nachádzať v blízkosti zariadenia a musí byť ľahko dostupná.



Používajte iba napájací zdroj uvedený v návode na použitie.

### Informácie o napájacom adaptéri

Zverejnená informácia	Hodnota	Jednotka
Názov výrobcu alebo ochranná známka, obchodné registračné číslo a adresa	<b>GUILLEMOT CORPORATION S.A.</b> 414 196 758 Rennes Place du Granier BP 97143 35571 Chantepie Cedex Francúzsko	
Identifikátor modelu	<b>A481-1852590D</b>	
Vstupné napätie	<b>100 - 240</b>	V
Vstupná AC frekvencia	<b>50 - 60</b>	Hz
Výstupné napätie	<b>18.5</b>	V DC
Výstupný prúd	<b>2.6</b>	A
Výstupný výkon	<b>47.9</b>	W
Priemerná aktívna účinnosť	<b>87.8</b>	%
Účinnosť pri nízkej záťaži (10%)	<b>87.8</b>	%
Spotreba bez záťaže	<b>0.10</b>	W



### **Vetriace otvory**

Uistite sa, že neblokujete žiadne vetracie otvory na základni pretekárskeho volantu. Pre optimálne vetranie sa uistite, že vykonáte nasledovné:

- \* Umiestnite základňu volantu aspoň 10 cm od akéhokoľvek povrchu steny.
- \* Neumiestňujte základňu do úzkych priestorov.
- \* Nezakrývajte základňu.
- \* Nedovoľte, aby sa na vetracích otvoroch usadil prach.



**Z bezpečnostných dôvodov nikdy nepoužívajte pedálovú sadu naboso alebo keď máte na nohách len ponožky.  
THRUSTMASTER® SA ZRIEKA AKEJKOL'VEK ZODPOVEDNOSTI V PRÍPADE ZRANENIA  
PLYNÚCEHO Z POUŽÍVANIA PEDÁLNEJ SADY BEZ OBUVI.**



### **Varovanie – Zranenia v dôsledku silovej spätnej väzby a opakovaných pohybov**

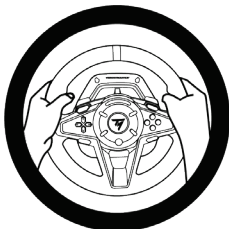
Hranie s pretekárskym volantom Force Feedback môže spôsobiť bolesť svalov alebo kĺbov. Ak sa chcete vyhnúť problémom:

- \* Vyhnite sa zdĺhavému hraniu.
- \* Po každej hodine hry si urobte 10 až 15-minútové prestávky.
- \* Ak pociťujete akúkoľvek únavu alebo bolesť v rukách, zápästiach, pažiach, chodidlách alebo nohách, prestaňte hrať a na niekoľko hodín si oddýchnite, kým znova začnete hrať.
- \* Ak uvedené symptómy alebo bolesť pretrvávajú aj po opätovnom spustení hry, prestaňte hrať a poraďte sa so svojím lekárom.
- \* Uchovávajte mimo dosahu detí.
- \* Počas hry vždy nechajte obe ruky správne umiestnené na volante bez toho, aby ste sa úplne pustili.
- \* Počas hrania nikdy nedávajte ruky ani prsty pod pedále ani do blízkosti sady pedálov.
- \* Počas kalibrácie a hrania nikdy nekladajte ruku alebo rameno cez otvory v pretekárskom volante.
- \* Uistite sa, že základňa pretekárskeho volantu je správne zaistená podľa pokynov v tejto príručke.



S produktom môžu manipulovať iba používatelia starší ako 14 rokov

VŽDY



NIKDY



NIKDY



**Varovanie – Nebezpečenstvo zovretia do pedálu pri hrani**

- \* Pedálovú sadu uchovávajte mimo dosahu detí.
- \* Počas hry nikdy nepokladajte prsty na pedále, na boky pedálov ani do ich blízkosti.
- \* Počas hry nikdy neumiestňujte prsty na zadnú stranu základne pedálu ani do jej blízkosti.
- \* Počas hry nikdy neumiestňujte prsty na prednú stranu základne pedálu ani do jej blízkosti.

NIKDY



NIKDY



NIKDY



**Varovanie – Nebezpečenstvo zovretia do pedálu, keď nehráte**

- \* Pedálovú sadu skladujte na bezpečnom mieste a uchovávajte ju mimo dosahu detí.

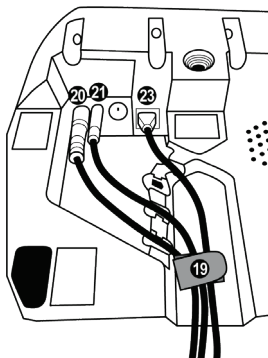
## PRIPOJENIE PRETEKÁRSKEHO VOLANTU

### Pripevnenie pretekárskeho volantu k stolu alebo pracovnej ploche

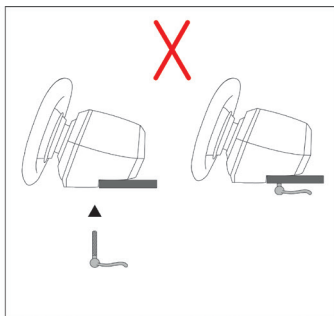
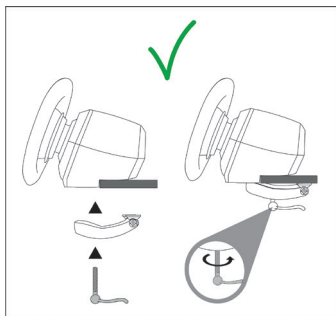
Začnite pripojením na spodnej strane volantu:

- napájací adaptér (20);
- rýchlopínací kábel USB-C (17a) ku konektoru USB-C (21);
- súpravu pedálov T2PM (23).

Dbajte na to, aby ste sledovali dráhy pre rôzne káble a pripevnite káble pomocou držiaka káblov so suchým zipsom (19).



1. Položte pretekársky volant na stôl alebo akýkoľvek iný vodorovný, rovný a stabilný povrch.
2. Vložte upevňovaciu skrutku (14) do upevňovacieho systému (13), potom utiahnite zariadenie otáčaním skrutky proti smeru hodinových ručičiek tak, aby sa zasunula do veľkého závitového otvoru (18) umiestneného pod pretekárskym volantom, kým volant nebude dokonale stabilný.



**VAROVANIE:** Nikdy neutáhuajte samotnú skrutku bez nasadeného upevňovacieho systému!

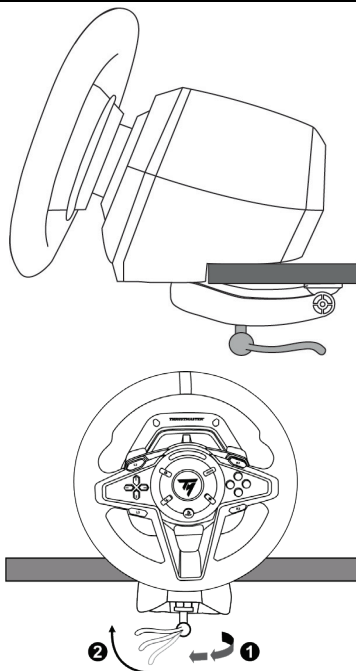
Mohlo by to poškodiť pretekársky volant.



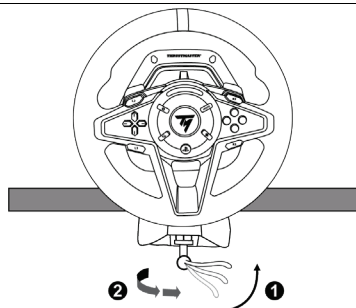
**PRIPEVNIENIE /  
DEMONTÁŽ**

**SMER**

**Utiahnutie:**  
**Otočte skrutku  
proti smeru  
hodinových  
ručičiek**



**Uvoľnenie:**  
**Otočte skrutku  
v smere  
hodinových  
ručičiek**



# INŠTALÁCIA

## AUTOMATICKÁ KALIBRÁCIA PRETEKÁRSKEHO VOLANTU A SADY PEDÁLOV

Volant sa automaticky skalibruje, keď zapojíte pretekársky volant do elektrickej zásuvky a pripojíte USB konektor pretekárskeho volantu ku konzole PlayStation®5, konzole PlayStation®4 alebo k PC.

Počas tejto fázy sa bude pretekársky volant rýchlo otáčať smerom doľava a doprava, pokrývajúci 900-stupňový uhol a potom sa zastaví v strede.



### **VAROVANIE:**

**Nikdy sa nedotýkajte pretekárskeho volantu počas fázy samo-kalibrácie!  
(Môže to viesť k nesprávnej kalibrácii a/alebo zraneniu osôb.)**

Nikdy nepripájajte pedálovú sadu k základní pretekárskeho volantu (ani ju neodpájajte od základne), keď je pripojená ku konzole PlayStation®5, konzole PlayStation®4 alebo k PC alebo počas hry (môže to mať za následok nesprávnu kalibráciu).

Pred pripojením pretekárskeho volantu ku konzole PlayStation®5, konzole PlayStation®4 alebo k PC, vždy pripojte sadu pedálov.

Po dokončení kalibrácie pretekárskeho volantu a spustení hry sa pedále po niekoľkých stlačeniach automaticky nakalibrujú.



### **VAROVANIE:**

**Nikdy nestláčajte pedále počas fázy samo-kalibrácie  
pretekárskeho volantu alebo počas načítavania hry!  
(To by mohlo viesť k nesprávnej kalibrácii.)**

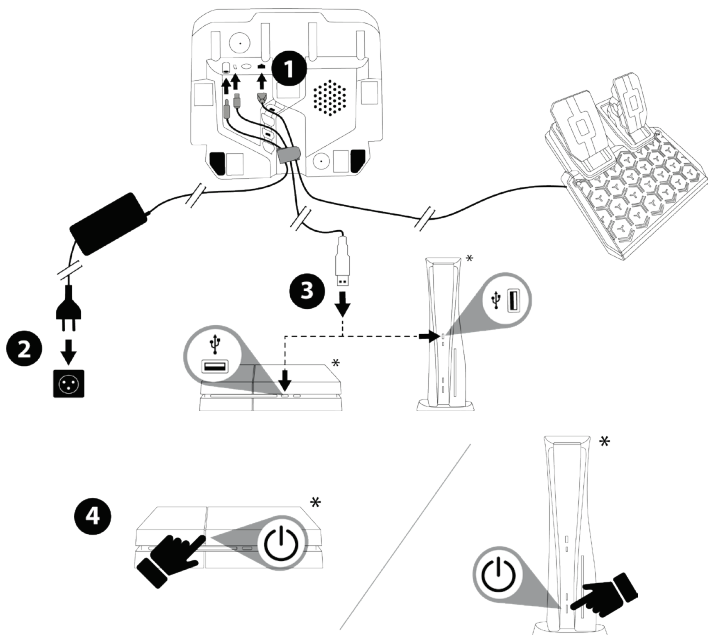
**Ak váš pretekársky volant a/alebo sada pedálov nefungujú správne, alebo ak sa vám zdá, že sú nesprávne kalibrované:**

- Vypnite konzolu alebo PC a úplne odpojte pretekársky volant. Potom znova pripojte všetky káble (vrátane napájacieho kábla a sady pedálov) a reštartujte konzolu (alebo PC) a hru.

- Prekonfigurujte pedálovú sadu do **predvoleného** režimu pomocou postupu uvedeného ďalej v tejto používateľskej príručke (strana 16).

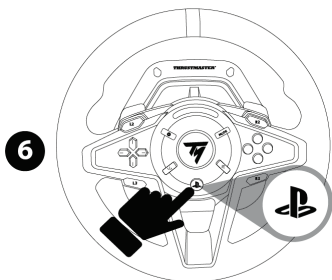
# INŠTALAČIA NA KONZOLY PLAYSTATION®5 ALEBO NA KONZOLY PLAYSTATION®4

1. Pripojte sadu pedálov T2PM ku konektoru základne RJ12 (23).
2. Zapojte napájací kábel a napájací adaptér do elektrickej zásuvky.
3. Pripojte kábel USB-C (17a) k portu základne USB-C (21).  
Pripojte kábel USB-A (17b) k portu USB-A na konzole PS4™ alebo konzole PS5™.
4. Zapnite konzolu PlayStation®4 alebo konzolu PlayStation®5. Pretekársky volant sa automaticky nakalibruje.



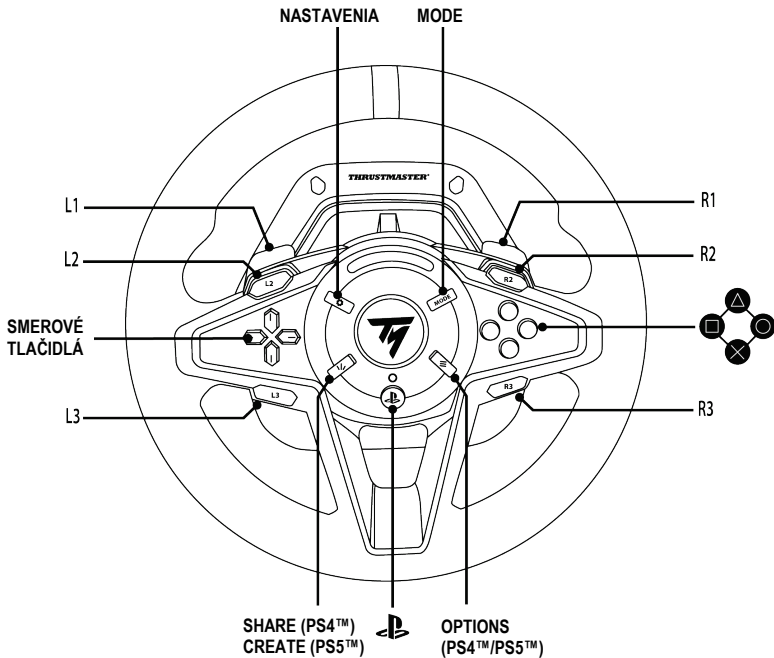
\*Nie je zahrnuté

5. Ak je to potrebné, vyberte si režim hry MODE, v ktorom chcete hrať, pomocou postupu uvedeného ďalej v tomto návode na použitie (na strane 15).
6. Stlačte tlačidlo PS na pretekárskom volante (**11**) a prihláste sa do svojho účtu v sieti PlayStation™Network, aby bol pretekársky volant funkčný.



**Teraz môžete hrať!**

# MAPOVANIE PRE KONZOLY PLAYSTATION®5 ALEBO PRE KONZOLY PLAYSTATION®4



## **Poznámky ku konzole PlayStation®4 alebo konzole PlayStation®5:**

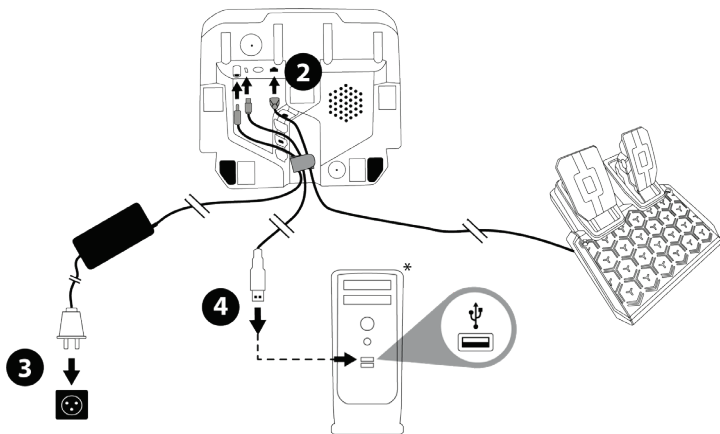
- Pretekársky volant je v hrách rozpoznávaný ako pretekársky volant Thrustmaster T-GT alebo pretekársky volant Thrustmaster Advanced Racer.
- 4 LED RPM diódy (7) zobrazujúce otáčky motora fungujú v hrách kompatibilných s Thrustmaster SDK. Zoznam kompatibilných hier je dostupný tu: <https://support.thrustmaster.com> (v sekcii **Racing Wheels (Pretekárske volanty) / T128 / Games settings (Herné nastavenia)**). Tento zoznam sa pravidelne aktualizuje.
- Zoznam hier pre konzoly PlayStation®4 alebo konzoly PlayStation®5 kompatibilných s pretekárskym volantom T128 je k dispozícii tu: <https://support.thrustmaster.com> (v sekcii **Racing Wheels (Pretekárske volanty) / T128 / Games settings (Herné nastavenia)**). Tento zoznam sa pravidelne aktualizuje.

## INŠTALÁCIA NA PC\*

\*Kompatibilita s PC (Windows® 10/11) nebola testovaná ani schválená spoločnosťou Sony Interactive Entertainment.

1. Navštívte <https://support.thrustmaster.com> a stiahnite ovládače a softvér Force Feedback pre PC. Kliknite na **Racing Wheels(Pretiekárske volanty) / T128 / Drivers (Ovládače)**.
2. Pripojte sadu pedálov T2PM ku konektoru RJ12 (23) základne.
3. Zapojte napájací kábel a napájací adaptér do elektrickej zásuvky.
4. Pripojte kábel USB-C (17a) k portu USB-C (21) základne.
5. Pripojte kábel USB-A (17b) k portu USB-A na vašom PC.

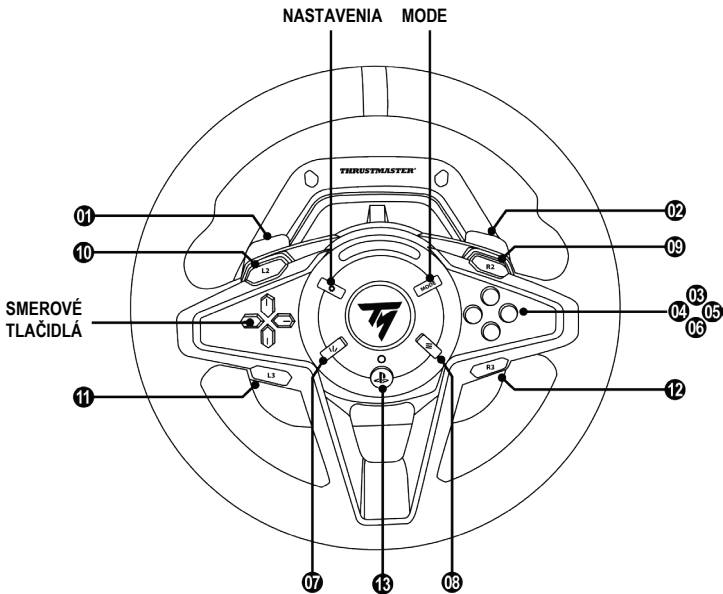
Váš pretekársky volant sa automaticky skalibruje.



6. Výberom položky **Start (Štart) / Thrustmaster / FFB Racing Wheel / Control Panel (Ovládací panel)** otvorte okno **Game Controllers (Herné ovládače)**. V okne **Game Controllers** sa zobrazuje názov pretekárskeho volantu **Thrustmaster Advanced Mode Racer** spolu so stavom **OK**.
7. Kliknite na **Properties (Vlastnosti)** a nakonfigurujte pretekársky volant na ovládacom paneli T128:

- **Karta Test Device:** umožňuje otestovať a zobrazíť akčné tlačidlá, smerové tlačidlá a osi pre pretekársky volant (ako aj osi pre súpravu pedálov) a upraviť uhol natočenia pretekárskeho volantu vo vašich PC hrách.
- **Karta Test Forces:** umožňuje otestovať 12 efektov Force Feedback.
- **Karta Adjust Forces:** umožňuje upraviť silu efektov Force Feedback vo vašich PC hrách.

# MAPOVANIE PRE PC



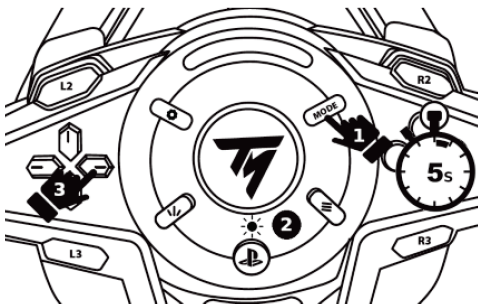
## Poznámky k PC:


- Na ovládacom paneli a v hrách je pretekársky volant rozpoznávaný pod názvom **Thrustmaster Advanced Mode Racer**.
- Pred spustením hry vždy nezabudnite úplne zatvoriť okno **Game Controllers (Herné ovládače)** kliknutím na **OK**.
- Nastavenia a úpravy vykonané v okne **Game Controllers (Herné ovládače)** sa uložia iba do vášho PC (a preto nebudú mať žiadny vplyv na konzoly PS4™ alebo konzoly PS5™).
- Verzia firmvéru vášho pretekárskeho volantu sa zobrazí v pravej hornej časti kariet ovládacieho panela T128.
- 4 LED RPM diódy (7) otáčok motora sú funkčné v počítačových hrách kompatibilných s Thrustmaster SDK. Zoznam kompatibilných hier je dostupný tu: <https://support.thrustmaster.com> (v sekcii **Racing Wheels (Pretekárske volanty) / T128 / Games settings (Herné nastavenia)**). Tento zoznam sa pravidelne aktualizuje.

## VÝBER HERNÉHO REŽIMU

### Postup:

1. Stlačte a podržte tlačidlo MODE (8) na 5 sekúnd, kým LED dióda (10) umiestnená nad tlačidlom PS nezačne blikať.
2. Bez uvoľnenia tlačidla MODE (8) súčasne stlačte pravé smerové tlačidlo (4), aby ste zvolili herný režim.



FARBA LED 	REŽIM HRY
MODRÁ	PLAYSTATION® ŠTANDARDNÁ KOMPATIBILITA (prednastavený mód)
ČERVENÁ	PLAYSTATION® BUDÚCA KOMPATIBILITA
ZELENÁ	PC

Po výbere herného režimu uvoľnite tlačidlá: váš výber sa uloží do internej pamäte pretekárskeho volantu. Pretekársky volant sa reštartuje a automaticky sa nakalibruje.

### Poznámky:

- Na konzolách PlayStation®4 a konzolách PlayStation®5: ak chcete, aby bol pretekársky volant T128 po samokalibrácii funkčný, stlačte tlačidlo PS (11) a prihláste sa do svojho účtu v sieti PlayStation™Network.
- Zoznam hier kompatibilných s konzolou PlayStation®4 a konzolou PlayStation®5 a T128 (a príslušným režimom hry MODE) je k dispozícii tu: <https://support.thrustmaster.com> (v časti Racing Wheels (Pretekárske volanty) / T128 / Games settings (Herné nastavenia)). Tento zoznam sa pravidelne aktualizuje.



## REŽIM PRE SADU PEDÁLOV (Zobrazí sa pri každom reštarte pretekárskeho volantu)

Zakaždým, keď sa pretekársky volant rešartuje (a po jeho samokalibrácii), 4 RPM LED diódy (7) indikujú režim (pozícia a typ), v ktorom je nakonfigurovaná vaša pedálová sada.

### Pozícia:

- **NORMAL:** predvolená poloha;
- alebo **INVERTED:** v tejto polohe sú pedále plynu a spojky obrátené – táto poloha je možná len so sadou 3 pedálov.

### Typ:

- **T2PM-T3PA-T3PM** bez technológie Load Cell: **predvolený typ;**
- alebo **T-LCM** s technológiou Load Cell.

REŽIM PRE SADU PEDÁLOV	BLIKANIE RPM LED DIÓD (7)
<b>PREDVOLENÝ REŽIM</b> - pozícia NORMAL - typ T2PM-T3PA-T3PM	<b>PREDVOLENÝ REŽIM</b> 
- pozícia NORMAL - typ T-LCM	
- pozícia INVERTED - typ T2PM-T3PA-T3PM	
- pozícia INVERTED - typ T-LCM	

## REKONFIGURÁCIA SADY PEDÁLOV DO PREDVOLENÉHO REŽIMU (Vykonajte, ak vaša pedálová sada nefunguje správne)

### Postup:

- 8-krát RÝCHLO stlačte tlačidlo NASTAVENIA (6).



4 RPM LED DIÓDY (7) 5-krát súčasne zablikajú, čím indikujú rekonfiguráciu do predvoleného režimu.



## OBRÁTENIE POLOHY PEDÁLOV (Ak používate sadu 3 pedálov)

Pretekársky volant T128 sa štandardne dodáva s 2-pedálovou sadou T2PM. Tento pretekársky volant je tiež kompatibilný s 3-pedálovými sadami Thrustmaster T3PA, T3PM a T-LCM (predávané samostatne).

Ak používate 3-pedálovú sadu, je možné elektronicky vymeniť plynový a spojkový pedál.

### Postup:

- Stlačte a podržte tlačidlo **NASTAVENIA (6)** na 5 sekúnd.



Výmena pedálov sa okamžite uloží do internej pamäte pretekárskeho volantu a jedna zo 4 LED RPM (7) 3-krát zabliká, čím indikuje zvolenú polohu.

PEDÁLE SPOJKY A PLYNU	BLIKANIE RPM LED DIÓDY (7)
<b>PREDVOLENÝ REŽIM</b> - pozícia NORMAL	A diagram of a curved 4-LED RPM indicator. The first LED on the left is lit green. A circular icon with '3x' is positioned above the indicator.
- pozícia INVERTED	A diagram of a curved 4-LED RPM indicator. The second LED from the left is lit orange. A circular icon with '3x' is positioned above the indicator.

# RUČNÉ PREPNUTIE SADY PEDÁLOV Z TYPU T2PM-T3PA-T3PM NA TYP T-LCM (a opačne)

Štandardne je režim pedálovej sady typ **T2PM-T3PA-T3PM**.

Tento režim je uložený v internej pamäti základne pretekárskeho volantu a vždy zostáva zapnutý, s výnimkou prípadu, keď k portu RJ12 pripojíte súpravu pedálov T-LCM alebo režim prepnete manuálne.

## Postup:

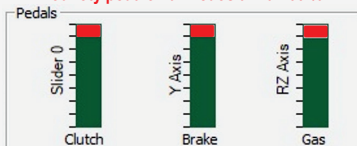
- Súčasne stlačte a podržte tlačidlo **NASTAVENIA (6)** a ľavé pádlo radenia (-) na **5 sekúnd**.



REŽIM	BLIKANIE RPM LED DIÓDY (7)
<b>PREDVOLENÝ REŽIM</b> - typ T2PM-T3PA-T3PM	
- typ T-LCM	



Pri type T-LCM nebudú sady pedálov T2PM, T3PA a T3PM správne fungovať.  
Hodnoty pedálov už nedosiahnu 100 %.



Ak chcete aby pedále správne fungovali (a dosiahli 100 %), musíte manuálne prepnúť režim základne pretekárskeho volantu na typ T2PM-T3PA-T3PM.

# MANUÁLNA ZMENA UHLU OTÁČANIA POMOCOU PRETEKÁRSKEHO VOLANTU

(možné len v hrách, v ktorých sa uhol otáčania nenastavuje automaticky)

Pretekársky volant T128 má uhol natočenia nastaviteľný medzi 270° a 900°.

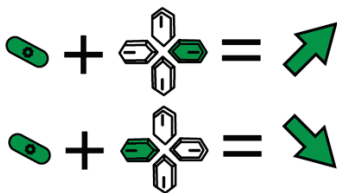
V mnohých hrách je uhol natočenia pretekárskeho volantu automatický a sám sa prispôbuje podľa používaného vozidla. V týchto hrách nie je možné manuálne zmeniť uhol natočenia, keďže túto funkciu spravuje hra a nie používateľ.

V iných hrách je možné manuálne meniť uhol natočenia priamo cez pretekársky volant.

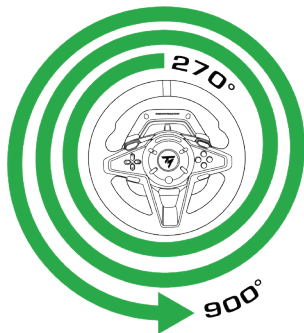
## Postup:

- Súčasným stlačením tlačidla NASTAVENIA (6) a pravého smerového tlačidla (4) zväčšíte uhol otáčania o jeden krok; alebo

- Súčasným stlačením tlačidla NASTAVENIA (6) a ľavého smerového tlačidla (4) znížite uhol otáčania o jeden krok.



4 možné úrovne	
Vybraný uhol rotácie	RPM LED DIÓDY(7)
270°	
360°	
540°	
900°	



**Upozornenie:** Manuálne upravený uhol natočenia pomocou pretekárskeho volantu nie je uložený natrvalo. Tento postup je potrebné vykonať pri každom reštarte hry alebo pretekárskeho volantu.

## **ĎALŠIE FUNKCIE TÝKAJÚCE SA TLAČIDLA NASTAVENIA (6)**

Navštívte prosím <https://support.thrustmaster.com>.

Kliknite na **Racing Wheels (Pretekárske volanty)** / T128 a potom na **Manual (Používateľská príručka)** alebo **FAQ**.

## **AKTUALIZÁCIA FIRMVÉRU PRETEKÁRSKEHO VOLANTU**

Navštívte <https://support.thrustmaster.com>.

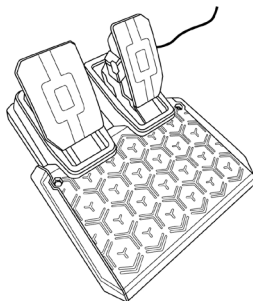
Kliknite na **Racing Wheels (Pretekárske volanty)** / T128 / **Firmware (Firmvér)** a postupujte podľa pokynov.

## **RÔZNE TIPY A ČASTO KLADENÉ OTÁZKY**

Navštívte <https://support.thrustmaster.com>.

Kliknite na **Racing Wheels (Pretekárske volanty)** / T128 a potom na **Manual (Používateľská príručka)** alebo **FAQ**.

# PEDÁLOVÁ SADA T2PM



## VAROVANIE

Pred použitím tohto produktu si pozorne prečítajte tento návod a uschovajte ho pre neskoršie použitie.



Z bezpečnostných dôvodov nikdy nepoužívajte pedálovú sadu naboso alebo keď máte na nohách len ponožky.  
**THRUSTMASTER® SA ZRIEKA AKEJKOL'VEK ZODPOVEDNOSTI V PRÍPADE ZRANENIA V PRÍPADE POUŽÍVANIA PEDÁLNEJ SADY BEZ OBUVI.**



### Varovanie – Nebezpečenstvo privretia do pedálu pri hrani

- \* Pedálovú sadu uchovávajte mimo dosahu detí.
- \* Počas hry nikdy neumiestňujte prsty na pedále, po ich bokoch ani do ich blízkosti.
- \* Počas hry nikdy neumiestňujte prsty na zadnú základňu pedálu ani do jej blízkosti.
- \* Počas hry nikdy neumiestňujte prsty na prednú základňu pedálu ani do jej blízkosti

NIKDY



NIKDY



NIKDY

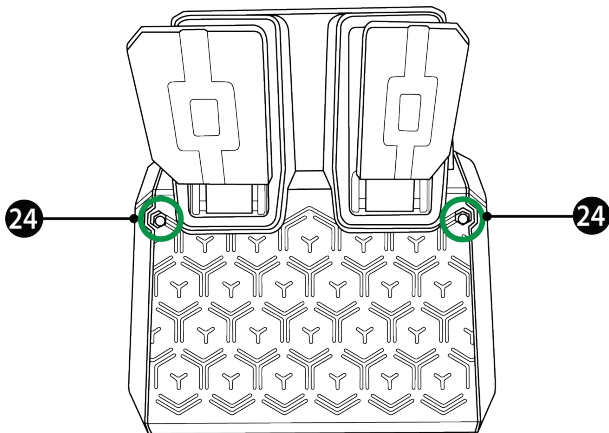


### Varovanie – Nebezpečenstvo privretia do pedálu, keď nehráte

- \* Pedálovú sadu skladujte na bezpečnom mieste a uchovávajte ju mimo dosahu detí.

## PRÍPEVNIENIE PEDÁLOVEJ SADY K PEVNÉMU POVRCHU ALEBO KU KOKPITU

Sadu pedálov je možné pripevniť k rôznym pevným povrchom (predávané sa samostatne) pomocou dvoch otvorov (24) umiestnených na oboch stranách sady pedálov.



**Ak váš pretekársky volant a/alebo sada pedálov nefungujú správne, alebo ak sa vám zdá, že sú nesprávne kalibrované:**

Vypnite konzolu alebo PC a úplne odpojte pretekársky volant. Potom znova pripojte všetky káble (vrátane napájacieho kábla a sady pedálov) a reštartujte konzolu (alebo PC) a hru.



## INFORMÁCIE O ZÁRUKU

Celosvetovo, spoločnosť Guillemot Corporation S.A., ktorej sídlo sa nachádza na adrese Place du Granier, B.P. 97143, 35571 Chantepie, Francúzsko (ďalej len "Guillemot") zaručuje spotrebiteľovi, že počas záručnej doby, ktorá je zhodná s časovým limitom na podanie reklamácie na tento produkt, tento Thrustmaster produkt nemá materiálne chyby ani výrobné chyby.

V krajinách Európskej únie záručná doba zodpovedá obdobiu dvoch (2) rokov od dodania produktu Thrustmaster. V iných krajinách zodpovedá záručná doba lehote pre podanie reklamácie na produkt Thrustmaster podľa platných zákonov krajiny, v ktorej mal spotrebiteľ bydlisko k dátumu kúpy produktu Thrustmaster (ak takýto zákon v príslušnej krajine neexistuje, potom je záručná doba jeden (1) rok od pôvodného dátumu zakúpenia produktu Thrustmaster).

Bez ohľadu na vyššie uvedené, sa na nabíjateľné batérie vzťahuje záručná doba šiestich (6) mesiacov od dátumu nákupu.

Ak počas záručnej doby dôjde na produkte ku chybe, okamžite kontaktujte Technickú podporu, ktorá Vám oznámi ďalší postup. Ak je chyba potvrdená, produkt musí byť vrátený v mieste jeho nákupu (alebo na inom mieste uvedenom Technickou podporou).

V kontexte tejto záruky má Technická podpora možnosť rozhodnúť, či bude chybný produkt spotrebiteľa buď vymenený alebo opravený do funkčného stavu. Ak v priebehu záručnej doby podlieha produkt Thrustmaster takejto oprave, každá doba najmenej siedmich (7) dní, počas ktorých je výrobok nepoužiteľný, bude doplnená do zostávajúcej záručnej doby (toto obdobie začína plynúť od dátumu žiadosti spotrebiteľa alebo dátumom, kedy je daný výrobok dodaný na opravu, ak je dátum, kedy je výrobok dodaný na opravu po dátume podania žiadosti). Ak to umožňujú platné právne predpisy, plná zodpovednosť spoločnosti Guillemot a jej dcérskych spoločností (vrátane následných škôd) je obmedzená na návrat produktu do funkčného stavu alebo na výmenu produktu Thrustmaster. Ak to dovoľuje platné právo, spoločnosť Guillemot neposkytuje záruku obchodovateľnosti a spôsobilosti pre určité použitie.

Táto záruka sa nevzťahuje na: 1. ak bol výrobok opravený, otvorený, pozmenený alebo poškodený v dôsledku nevhodného alebo hrubého používania, nedbanlivosti, nehody, bežného opotrebenia, alebo akejkolvek inej príčiny nesúvisiacej s materiálnoú alebo výrobnou chybou (vrátane, nie však výlučne, kombinácie výrobku Thrustmaster s akýmkoľvek nevhodným prvkom, vrátane napájacích zdrojov, nabíjateľných batérií, nabíjačiek, alebo iných prvkov, ktoré Guillemot nedodáva pre tento výrobok); (2) ak bol výrobok použitý na akékoľvek iné použitie ako na domáce použitie, a to aj na profesionálne, alebo komerčné účely (napríklad herne, školenia, súťaže); (3) v prípade nedodržania pokynov poskytnutých Technickou podporou; (4) softvér, pričom uvedený softvér podlieha osobitnej záruke; (5) spotrebné materiály (prvky, ktoré sa majú vymeniť počas životnosti výrobku: napríklad jednorazové batérie, zvukové súpravy alebo slúchadlá); (6) na príslušenstvo (napríklad káble, puzdρά, vrecká, tašky, popruhy na zápästie); (7) ak bol výrobok predaný vo verejnej dražbe.

Táto záruka nie je prenosná.

Zákonné práva spotrebiteľa, pokiaľ ide o zákony platné pre predaj spotrebného tovaru v jeho alebo jej krajine, nie sú touto zárukou ovplyvnené.

### Ďalšie záručné ustanovenia

Počas záručnej lehoty, Guillemot neposkytuje žiadne náhradné diely, vzhľadom na skutočnosť, že Technická podpora je jediná strana oprávnená otvoriť a/alebo opraviť akýkoľvek Thrustmaster produkt (Výnimkou je prípadné požiadanie Technickej podpory o nasledovanie písomných pokynov na opravy, ktoré má vykonať užívateľ - napríklad pre ich jednoduchosť a dostupné opravné postupy – a v prípade potreby dodanie náhradných dielov užívateľovi).

Kvôli inovačným cyklom a vzhľadom na ochranu know-how a obchodného tajomstva spoločnosti, Guillemot neposkytuje opravné postupy alebo náhradné diely na Thrustmaster produkty po uplynutí ich záručnej lehoty.

### Zodpovednosť

Ak to dovoľujú platné zákony, spoločnosť Guillemot Corporation S.A. (ďalej len "Guillemot") a jej dcérske spoločnosti nenesú žiadnu zodpovednosť za akékoľvek škody spôsobené jedným alebo viacerými z nasledujúcich prípadov: 1. výrobok bol upravený, otvorený alebo pozmenený; (2) nedodržali sa montážne inštrukcie; (3) nevhodné alebo hrubé použitie, nedbalosť, nehoda (napríklad náraz); (4) bežné opotrebenie; (5) používanie výrobku na akékoľvek iné použitie ako na domáce použitie, a to aj na profesionálne, alebo komerčné účely (napríklad herne, školenia, súťaže). Ak to dovoľujú platné zákony, spoločnosť Guillemot a jej dcérske spoločnosti nenesú žiadnu zodpovednosť za akékoľvek škody, ktoré nesúvisia s materiálnou alebo výrobnou vadou vo vzťahu k výrobku (vrátane, nie však výlučne, za akékoľvek škody spôsobené priamo alebo nepriamo akýmkoľvek softvérom, alebo kombinácie výrobku Thrustmaster s akýmkoľvek nevhodným prvkom, vrátane napájacích zdrojov, nabíjateľných batérií, nabíjačiek alebo iných prvkov, ktoré Guillemot nedodáva pre tento výrobok).

**THRUSTMASTER®**

**TECHNICKÁ PODPORA**

<https://support.thrustmaster.com>



## AUTORSKÉ PRÁVA

©2022 Guillemot Corporation S.A. Všetky práva vyhradené. Thrustmaster® je registrovaná ochranná známka spoločnosti Guillemot Corporation S.A. Vyrába a distribuuje ju spoločnosť Guillemot Corporation S.A. Všetky ostatné ochranné známky a názvy značiek sú týmto uznané a sú majetkom ich príslušných vlastníkov. Obsah, dizajn a technické parametre sa môžu meniť bez predchádzajúceho upozornenia a môžu sa v jednotlivých krajinách líšiť. Fotografie a ilustrácie nie sú záväzné. Navrhnuté v Severnej Amerike a Európe, vyrobené v Číne.

Na použitie výhradne s konzolami PlayStation®5 a konzolami PlayStation®4.

"PS", "PlayStation", "PS5", "PS4" och "PlayStation Shapes Logo" är registrerade varumärken eller varumärken som tillhör Sony Interactive Entertainment Inc. Všetky práva vyhradené. Všetky ostatné ochranné známky sú majetkom ich príslušných vlastníkov. Vyrobené a distribuované na základe licencie od Sony Interactive Entertainment LLC.

## ODPORÚČANIE PRE OCHRANU ŽIVOTNÉHO PROSTREDIA



- \* V Európskej únii, V UK a Turecku: Na konci svojej životnosti by sa nemal tento produkt vyhodit' s bežným domovým odpadom, ale mal by byť odovzdaný na recykláciu v zbernom mieste na likvidáciu odpadu z elektrických a elektronických zariadení. (WEEE). Potvrdzujúci symbol o recyklácii nájdete na produkte, na návode na použitie alebo na obale. V závislosti od ich vlastností, môžu byť materiály recyklované. Prostredníctvom recyklácie a iných foriem spracovania odpadu z elektrických a elektronických zariadení môžete významne prispieť k ochrane životného prostredia. Pre získanie informácie o pre vás najbližšom

možnom mieste odovzdania, kontaktujte miestne orgány.

Pre všetky ostatné krajiny: Dodržujte miestne zákony o recyklácii elektrických a elektronických zariadení.

Ponechajte si tieto informácie. Farby a ozdobnosť sa môžu líšiť.

Plastové spony a lepiace pásky by sa mali z výrobku pred jeho použitím odstrániť.

[www.thrustmaster.com](http://www.thrustmaster.com)

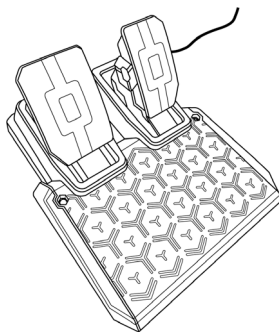
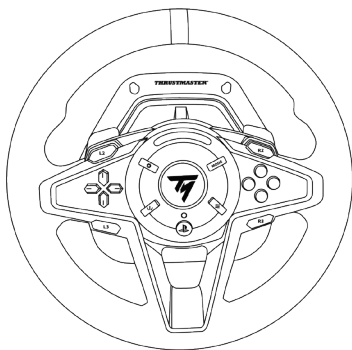
*\*Použiteľné pre EÚ, UK a Turecko*



# T128

PlayStation®5 konzolokhoz, PlayStation®4 konzolokhoz és PC\*-hez

## Használati Útmutató

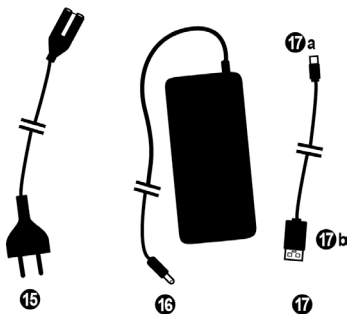
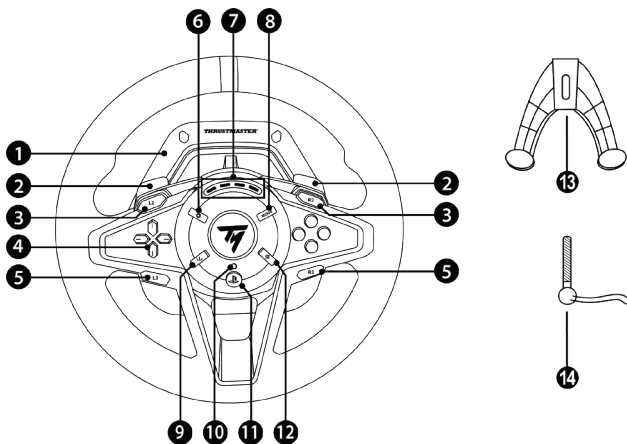


### **FIGYELMEZTETÉS:**

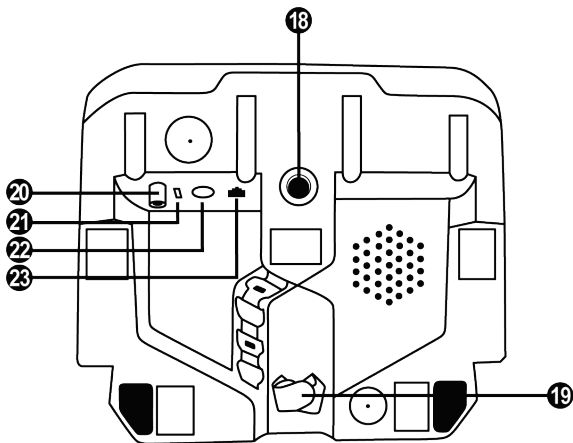
Ahhoz, hogy a T128 versenykormány megfelelően működjön PlayStation®5 konzol, PlayStation®4 konzol, vagy PC játékokkal, szükséges lehet a játék automatikus frissítéseinek telepítése  
(erre akkor van lehetőség, ha a konzol vagy a PC csatlakoztatva van az internethez).

\*A PC kompatibilitást (Windows® 10/11) a Sony Interactive Entertainment nem tesztelte és nem hagyta jóvá.

# MŰSZAKI LEÍRÁS



- |   |   |    |   |
|---|---|----|---|
| 1 | T128 alap   | 10 | Játékmód LED (kék, piros vagy zöld)             |
| 2 | 2 mágneses váltófűl (- és +)                              | 11 | PS gomb   |
| 3 | L2 és R2 gombok   | 12 | OPTIONS gomb PS4™ konzolokon és PS5™ konzolokon |
| 4 | Irányítógombok  | 13 | Rögzítőrendszer                                 |
| 5 | L3 és R3 gombok   | 14 | Fém rögzítőcsavar                               |
| 6 | SETTINGS gomb   | 15 | Áramkabel (EU/USA/UK...)                        |
| 7 | 4 RPM LED-ek (motor fordulatszám kijelző)                 | 16 | Tápadapter                                      |
| 8 | MODE gomb   | 17 | USB kábel: USB-C (17a) – USB-A (17b)            |
| 9 | SHARE gomb PS4™ konzolokon<br>CREATE gomb PS5™ konzolokon |    |   |



**18** Nagy menetes lyuk (rögzítőrendszerhez és csavarhoz)

**19** Tépőzárás kábelrögzítő

**20** Tápadapter csatlakozó

**21** Versenykormány USB-C csatlakozója

**22** Mini-DIN csatlakozó Thrustmaster sebváltóhoz, kézifékekhez vagy hálózati elosztóhoz (*külön kapható*)

**23** RJ12 csatlakozó pedálszettekhez

# FIGYELMEZTETÉS

Használat előtt figyelmesen olvassa el az útmutatót és tartsa meg későbbi használatra.



## **Figyelmeztetés – Elektromos áramütés**

- \* Tartsa a terméket száraz helyen és ne tegye ki pornak vagy napfénynek.
- \* Ne csavarja vagy húzza meg a csatlakozót és kábelt.
- \* A termék vagy a csatlakozója ne érintkezzen folyadékkal.
- \* Ne zárja rövidre a terméket.
- \* Ne szerelje szét a terméket; ne dobja bele tűzbe és ne tegye ki magas hőmérsékletnek.
- \* Csak a versenykormányhoz tartozó áramkábelt használja.
- \* Ne használja az áramkábelt, ha a kábel vagy a csatlakozók sérültek, szakadtak vagy töröttek.
- \* Győződjön meg róla, hogy az áramkábel megfelelő módon van bedugva a konnektorba és megfelelő módon csatlakozik a versenykormány hátulján található csatlakozóba.
- \* Ne nyissa fel a versenykormányt: semmilyen a felhasználó által javítható alkatrész nincs benne. Csak a gyártó, a meghatalmazott képviselő és szakképzett technikus javíthatja a terméket.
- \* Kizárólag a gyártó által megjelölt rögzítő rendszert/kiegészítőt használja.
- \* Amennyiben a versenykormány működésében hibát észlel (ha a megszokottól eltérő a hangja, a hőmérséklete vagy a szaga), azonnal hagyja abba a használatát, húzza ki az áramkábelt a konnektorból és az egyéb kábeleket az eszközből.
- \* Amennyiben a versenykormányt hosszabb ideig nem használja, húzza ki az áramkábelt a konnektorból.
- \* A konnektor legyen a felszerelés közelében, könnyen hozzáférhető helyen.



Csak a használati útmutatóban felsorolt tápegységet használja.

### Tápegység illesztő tájékoztató

Tájékoztató tartalma	Érték	Egység
Gyártó neve vagy védjegye, cégjegyzékszám és címe	<b>GUILLEMOT CORPORATION S.A.</b> 414 196 758 Rennes Place du Granier BP 97143 35571 Chantepie Cedex Franciaország	
Modellazonosító	<b>A481-1852590D</b>	
Bemeneti feszültség	<b>100 - 240</b>	V
Bemenő váltóáram frekvencia	<b>50 - 60</b>	Hz
Kimeneti feszültség	<b>18.5</b>	V DC
Kimeneti áramerősség	<b>2.6</b>	A
Kimenő teljesítmény	<b>47.9</b>	W
Aktív üzemmódban mért átlagos hatásfok	<b>87.8</b>	%
Hatásfok alacsony terhelésnél (10%)	<b>87.8</b>	%
Üresjáratú üzemmódban fellépő energiafogyasztás	<b>0.10</b>	W



## Szellőzés

Győződjön meg róla, hogy semmi nem gátolja a versenykormány alapjának a szellőzését. A megfelelő szellőzés érdekében tegye a következőket:

- \* Helyezze a kormány alapját legalább 10 cm-re a falfelülettől.
- \* Ne tegye az alapot szűk helyre.
- \* Ne fedje le az alapot.
- \* Ne kerüljön por a szellőzőnyílásokba.



**Biztonsági okokból, soha ne használja a pedálokat meztláb,  
vagy csak zoknit viselve.**

**A THRUSTMASTER® SEMMILYEN SÉRÜLÉSÉRT NEM VÁLLAL FELELŐSSÉGET, AMI A  
PEDÁLOK CIPŐ NÉLKÜLI HASZNÁLATÁBÓL ERED.**



## Figyelmeztetés – Az ismétlődő mozdulatokból és az erővisszacsatolásból adódó sérülések

Force feedbackkel működő versenykormány használata izom vagy ízületi fájalmakhoz vezethet. Hogy ezt elkerülje:

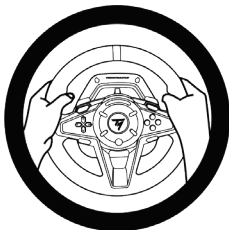
- \* Ne játsszon túl sokáig egyszerre.
- \* Tartson minden játékkal töltött óra után 10-15 perc szünetet.
- \* Ha fáradtságot vagy bármilyen fájdalmat észlel a kézfejeiben, csuklójában, karjában, lábfejeiben vagy lábában, hagyja abba a játékot és pihenjen pár órát az új játék megkezdése előtt.
- \* Ha a fent említett tünetek vagy fájdalom újra jelentkezik játék közben, hagyja abba és keresse fel orvosát.
- \* Tartsa gyermekektől távol.
- \* Játék közben, mindig tartsa mind a két kezét a kormányom a megfelelő helyen, anélkül, hogy teljesen elengedné.
- \* Játék közben, soha ne tegye a kezét vagy ujjait a pedálok alá vagy a pedálok közelébe.
- \* Kalibrálás és játék közben, soha ne tegye a kezét vagy karját a versenykormány nyílásaiba.
- \* Győződjön meg róla, hogy az alábbi útmutató utasításainak megfelelően van a versenykormány alap rögzítve.



A terméket csak 14 éves vagy annál idősebb játékos használhatja



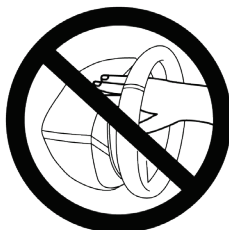
HELYES



HIBÁS



HIBÁS



**Figyelmeztetés – A pedálok becsipődést okozhatnak játék közben**

- \* A pedálszettet tartsa gyermekektől távol.
- \* Játék közben, soha ne helyezze az ujjait a pedálok oldalára vagy az oldal közelébe.
- \* Játék közben, soha ne helyezze az ujjait a pedálok mögé vagy a háttulja közelébe.
- \* Játék közben, soha ne helyezze az ujjait a pedálok elé vagy az eleje közelébe.

HIBÁS



HIBÁS



HIBÁS



**Figyelmeztetés – A pedálok becsipődést okozhatnak játékon kívül**

- \* A pedálszettet tartsa biztonságos helyen és gyermekektől távol.

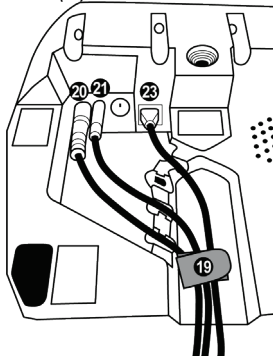
## A VERSENYKORMÁNY RÖGZÍTÉSE

### A versenykormány rögzítése asztalfelületre

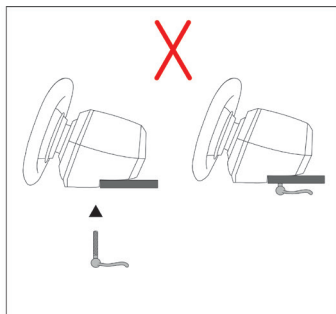
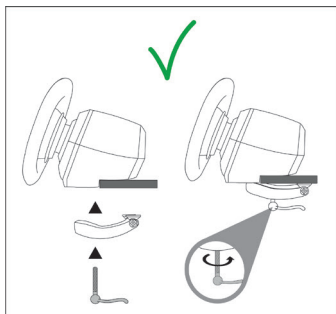
Kezdje a kormány alsó részének csatlakoztatásával:

- a tápadapter (20);
- a gyorskioldó USB-C kábel (17a) az USB-C csatlakozóba (21);
- a T2PM pedálszett (23).

Győződjön meg róla, hogy megfelelő irányba csatlakoztatja a különböző kábeleket, majd a végén rögzítse őket a tépózáras kábeltartóval (19).



1. Helyezze a versenykormányt az asztalra, vagy bármely vízszintes, lapos és stabil felületre.
2. Helyezze be a rögzítőcsavart (14) a rögzítőrendszerbe (13), majd addig csavarja a csavart az óramutató járásával ellentétes irányba a versenykormány alján található nagy menetes lyukba (18), amíg az tökéletesen stabilan nem áll.



**FIGYELMEZTETÉS:** Ne húzza meg a csavart önmagában, anélkül, hogy a rögzítőrendszer a helyén lenne!

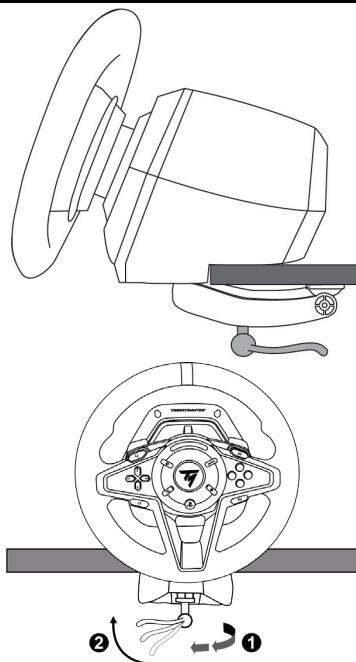
**A versenykormány sérülését okozhatja.**

**RÖGZÍTÉS /  
ELTÁVOLÍTÁS**

**IRÁNY**

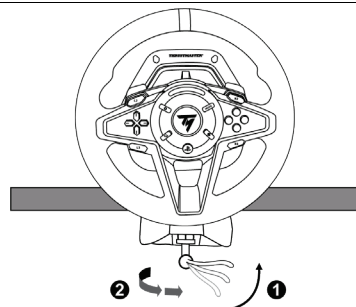
**Rögzítés:**

**Forgassa a csavart  
az óramutató  
járásával  
ellentétes irányba**



**Kiengedés:**

**Forgassa a csavart  
az óramutató  
meg egyező  
irányba**



# ÜZEMBE HELYEZÉS

## AUTOMATIKUS VERSENYKORMÁNY ÉS PEDÁLSZETT KALIBRÁLÁS

A kormány automatikusan bekalibrálja magát ahogy, a versenykormányt bedugja a konnektorba és a versenykormány USB csatlakozóját a PlayStation®5 konzolba, a PlayStation®4 konzolba vagy PC-be. Ebben a fázisban, a versenykormány gyorsan elforog jobb és bal irányba, egy 900 fokos szöveget fededve, mielőtt megállna középen.



### **FIGYELMEZTETÉS:**

**Soha ne nyúljon a versenykormányhoz miközben az kalibrálja magát!  
(Ez nem megfelelő kalibráláshoz és/vagy személyi sérüléshez vezethet.)**

Soha ne csatlakoztassa a pedálszettet a versenykormány alapjához (vagy húzza ki az alapból) amikor az PlayStation® konzolhoz vagy PC-hez van csatlakoztatva vagy játék közben (ez kalibrálásból fakadó problémához vezethet).

Mindig a pedálokat csatlakoztassa először, majd a versenykormányt a PlayStation®5 konzolhoz, a PlayStation®4 konzolhoz vagy PC-hez.

Miután a kormány bekalibrálta magát és a játék elkezdődött, a pedálok néhányszori lenyomás után automatikusan kalibrálódnak.



### **FIGYELMEZTETÉS:**

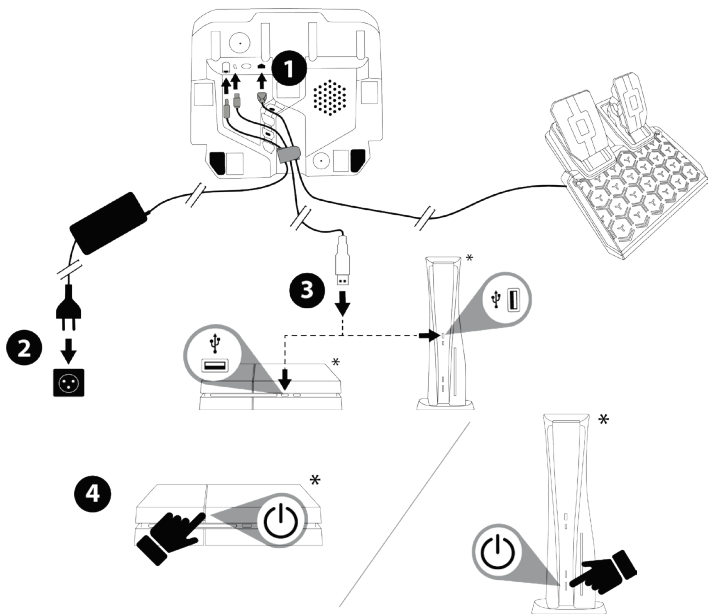
**Soha ne nyomja le a pedálokat a versenykormány kalibrálása vagy a játék betöltése közben!  
(Ez kalibrálásból fakadó problémához vezethet.)**

**Ha a versenykormány és/vagy pedálok nem rendeltetésszerűen működnek vagy rosszul vannak kalibrálva:**

- Kapcsolja ki a konzolt vagy PC-t, teljesen húzza ki a kormányt, majd csatlakoztassa újra a kábeleket (beleértve az áramkábelt és a pedálszett kábelét is), indítsa újra a konzolt (vagy PC-t) és a játékot.
- Konfigurálja újra a pedálszettet **alapértelmezett módba** a használati útmutatóban (16. oldal). leírt lépések alapján.

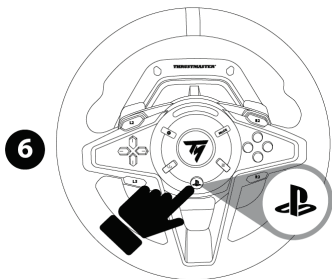
## ÜZEMBE HELYEZÉS PLAYSTATION®4 KONZOLOKON VAGY PLAYSTATION®5 KONZOLOKON

1. Csatlakoztassa a T2PM pedálszettet az alap RJ12 csatlakozójába **(23)**.
2. Dugja be az áramkábelt és a tápadaptert egy konnektorba.
3. Csatlakoztassa az USB-C kábelt **(17a)** az alap USB-C portjához **(21)**.  
Csatlakoztassa az USB-A kábelt **(17b)** a PS4™ konzol vagy a PS5™ konzol USB-A portjához.
4. Kapcsolja be a PlayStation®4 konzolt vagy a PlayStation®5 konzolt. A versenykormány automatikusan bekalibrálja magát.



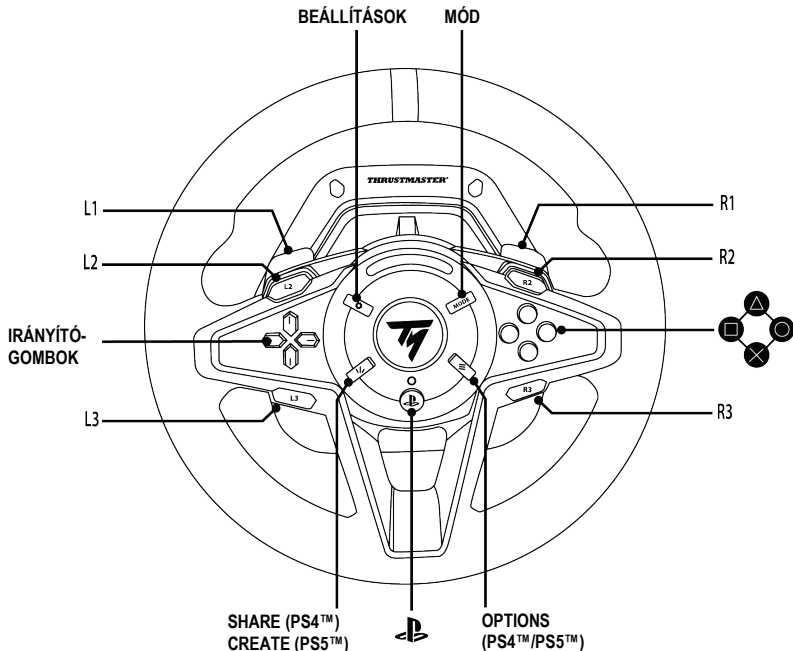
\*Nem tartalmazza

5. Ha szükséges, válassza ki a kívánt játékmódot (MODE), a használati utasítás 15. oldalán leírt folyamat alapján.
6. Nyomja meg a versenykormány PS gombját **(11)**, és jelentkezzen be a PlayStation™Network fiókjába, hogy a versenykormány működjön.



***Már játszhat is!***

# A PLAYSTATION®4 KONZOLOK VAGY PLAYSTATION®5 KONZOLOK GOMBKIOSZTÁSA



## Megjegyzések PS4™ konzolokhoz vagy PS5™ konzolokhoz:

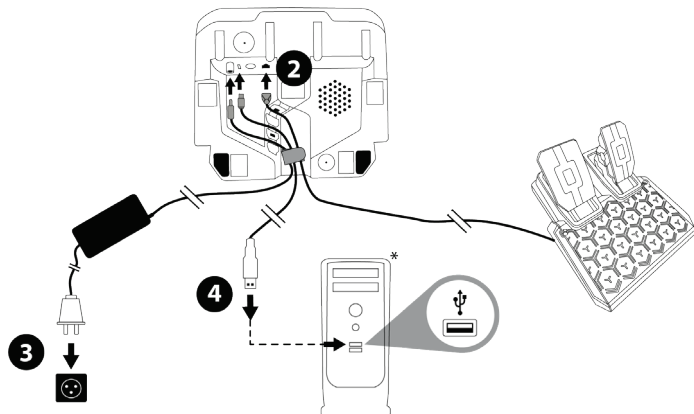
- A versenykormányt a játékok Thrustmaster T-GT versenykormányként vagy Thrustmaster Advanced Racer versenykormányként ismerik fel.
- A 4 motor fordulatszám kijelző RPM LED (7) a Thrustmaster SDK-val (software development kit) kompatibilis játékokban működik. A kompatibilis játékok listája itt érhető el: <https://support.thrustmaster.com> (a Racing Wheels (Versenykormányok) / T128 / Games settings (Játékbeállítások) részben). A listát rendszeresen frissítjük.
- A T128 versenykormányval kompatibilis PlayStation®4 konzol és PlayStation®5 konzol játékok listája itt érhető el: <https://support.thrustmaster.com> (a Racing Wheels (Versenykormányok) / T128 / Games settings (Játék beállítások) részben). A listát rendszeresen frissítjük.

## ÜZEMBE HELYEZÉS PC\*-ÉN

\*A PC kompatibilitást (Windows® 10/11) a Sony Interactive Entertainment nem tesztelte és nem hagyta jóvá.

1. Látogasson el a <https://support.thrustmaster.com> weboldalra és töltsse le az illesztőprogramokat és a Force Feedback szoftvert PC-hez. Kattintson a **Racing Wheels (Versenykormányok) / T128 / Drivers-re (Illesztőprogram)**
2. Csatlakoztassa az alapon található RJ12 csatlakozót (23) a T2PM pedálszettezh.
3. Dugja be az áramkábel és a tápadaptert egy konnektorba.
4. Csatlakoztassa az USB-C kábelt (17a) az alap USB-C portjához (21).
5. Csatlakoztassa az USB-A kábelt (17b) a PC USB-A portjához.

A versenykormány automatikusan kalibrálódik.



6. Válassza ki a **Start / Thrustmaster / FFB Racing Wheel (Versenykormány) / Control Panel-t** (Vezérlőpult), a **Game Controllers (Játékvezérlők)** ablak megnyitásához. The **Game Controllers (Játékvezérlők)** ablak, **Thrustmaster Advanced Mode Racer** néven jeleníti meg a kormányt, **OK** státusszal.
7. Kattintson a **Properties-re (Tulajdonságok)** a versenykormány beállításához a T128 vezérlőpultban:

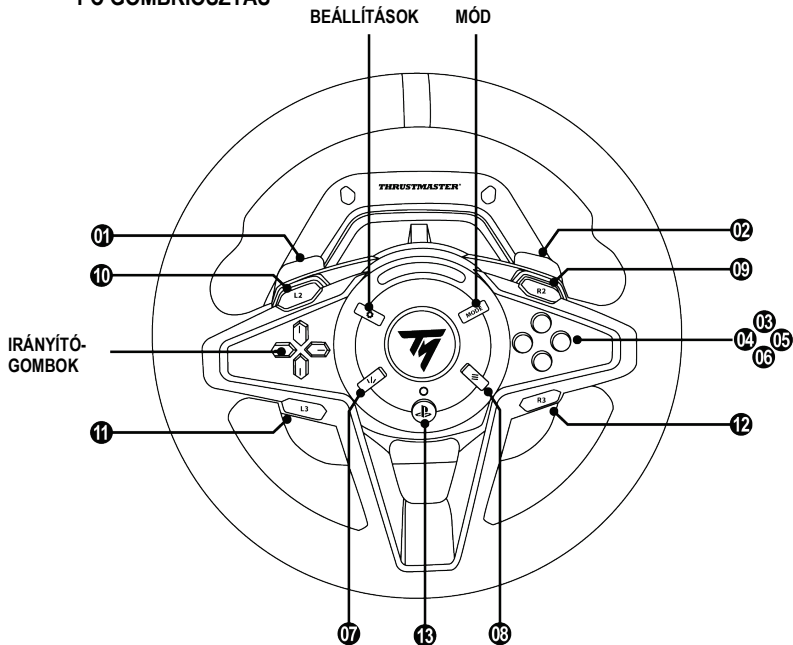
- **Test Device (Eszköz tesztelése)** fül: lehetővé teszi a versenykormányhoz tartozó akciógombok, irányítógombok és tengelyek megtekintését és tesztelését (csakúgy, mint a pedálszett tengelye esetében), és a versenykormány forgatási szögének beállítását PC játékokban.

- **Test Forces (Hatások tesztelése)** fül: lehetővé teszi a 12 Force Feedback hatás tesztelését.

- **Adjust Forces (Hatások beállítása)** fül: lehetővé teszi a Force Feedback hatások tesztelését a PC játékokban.



# PC GOMBKIOSZTÁS



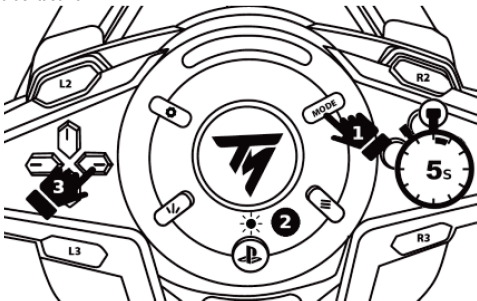
## Megjegyzések PC-hez:


- A vezérlőpult és a játékban is a versenykormány **Thrustmaster Advanced Mode Racer** néven jelenik meg.
- Mielőtt új játékba kezdene, mindig zárja be a **Game Controllers (Játékvezérlők)** ablakot az **OK**-ra kattintással.
- A **Game Controllers (Játékvezérlők)** ablakban véghez vitt beállítások és módosítások csak a saját PC-én kerülnek mentésre (vagyis semmilyen hatással nincsenek a PS4™ konzolokra vagy a PS5™ konzolokra).
- A versenykormány firmware verzióját a T128 vezérlőpult fül jobb felső részében találja.
- A 4 motor fordulatszám kijelző RPM LED (7) a Thrustmaster SDK-val (software development kit) kompatibilis PC játékokban működik. A kompatibilis játékok listája itt érhető el: <https://support.thrustmaster.com> (a **Racing Wheels (Versenykormányok) / T128 / Games settings (Játékbeállítások)** részben). A listát rendszeresen frissítjük.

## A JÁTÉKMÓD KIVÁLASZTÁSA

### Folyamat:

1. Nyomja meg és tartsa a MODE gombot **(8)** 5 másodpercig lenyomva, amíg a PS gomb felett található LED **(10)** elkezd villogni.
2. A MODE gomb **(8)** elengedése nélkül, egyszerre nyomja le a jobbkezes irányítógombot **(4)** a kívánt játékmód kiválasztásához.



LED SZÍN 	JÁTÉKMÓD
KÉK	PLAYSTATION® STANDARD KOMPATIBILITÁS (alapértelmezett mód)
PIROS	PLAYSTATION® JÖVŐBENI KOMPATIBILITÁS
ZÖLD	PC

Miután kiválasztotta a játékmódot, engedje el a gombot: a kiválasztott mód a versenykormány belső memóriájába mentésre kerül. A versenykormány újraindul és bekalibrálja magát.

### Megjegyzések:

- Ahhoz, hogy a kalibrálás után a T128 versenykormány megfelelően működjön PlayStation®4 konzolokon és PlayStation®5 konzolokon, nyomja meg a PS gombot **(11)** és jelentkezzen be a PlayStation™Network fiókjába.
- A T128-al (és a kiválasztott játékmóddal) és a PlayStation®4 konzollal és a PlayStation®5 konzollal kompatibilis játékok listája itt érhető el: <https://support.thrustmaster.com> (a **Racing Wheels (Versenykormányok) / T128 / Games settings (Játék beállítások)** részben). A listát rendszeresen frissítjük.

## PEDÁLSZETT MÓD

(Minden alkalommal megjelenik, amikor a versenykormány újraindul)

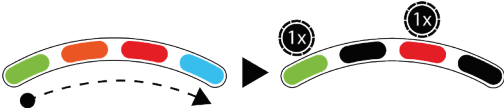


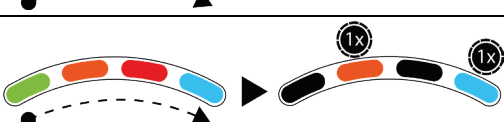
Minden alkalommal, amikor a versenykormány újraindul (és bekalibrálta magát), a 4 RPM LED (7) megmutatja, hogy a pedálszett milyen módba (pozíció és típus) lett konfigurálva.

### Pozíció:

- **NORMAL:** alapételemezett pozíció;
- vagy **INVERTED (FELCSERÉLT):** ebben a pozícióban a gáz és kuplung pedál fel vannak cserélve — ez e helyzet csak a 3 pedálból álló pedálszetteknel lehetséges.

### Típus:

- **T2PM-T3PA-T3PM** Erőmérő Cella technológia nélkül: **alapételemezett típus;**
- vagy **T-LCM** Erőmérő Cella technológiával.

PEDÁLSZETT MÓD	RPM LED-ek (7) VILLOGÁSA
<b>ALAPÉTELEMEZETT MÓD</b> - NORMAL pozíció - T2PM-T3PA-T3PM típus	<b>ALAPÉTELEMEZETT MÓD</b> 
- NORMAL pozíció - T-LCM típus	
- INVERTED pozíció - T2PM-T3PA-T3PM típus	
- INVERTED pozíció - T-LCM típus	

## A PEDÁLSZETT BEÁLLÍTÁSA ALAPÉRTELMEZETT MÓDBA (Ezt kell tenni, ha a pedálszett nem megfelelően működik)

### Lépések:

- **GYORSAN** nyomja meg a **SETTINGS (BEÁLLÍTÁSOK)** gombot **(6) 8-szor**.



A 4 RPM LED (7) egyszerre felvillan 5-ször, így jelezvén az alapértelmezett mód visszaállítását.



## A PEDÁLOK POZÍCIÓJÁNAK FELCSERÉLÉSE (Ha 3 pedálból álló pedálszettet használ)

A T128 versenykormányhoz egy 2 pedálból álló T2PM pedálszett tartozik alapértelmezettként. Ez a versenykormány kompatibilis még a Thrustmaster T3PA, T3PM és T-LCM 3 pedálból álló pedálszettekkel (külön kapható).

Ha 3 pedálból álló pedálszettet használ, lehetősége van a gáz és kuplung pedál elektronikus felcserélésére.

### Lépések:

- Nyomja meg és tartsa lenyomva a **SETTINGS (BEÁLLÍTÁSOK)** gombot **(6) 5 másodpercig**.



A pedálok cseréje azonnal elmentésre kerül a versenykormány belső memóriájába és az egyik a 4 RPM LED (7) közül 3-szor felvillan, hogy jelezze a kiválasztott pozíciót.

GÁZ ÉS KUPLUNG PEDÁL	RPM LED-ek (7) VILLOGÁSA
<b>ALAPÉRTELMEZETT MÓD</b> - NORMAL pozíció	A diagram of a 3-pedal set. The leftmost pedal is highlighted in green. Above it is a circular icon with '3x' inside, indicating three flashes.
- INVERTED pozíció	A diagram of a 3-pedal set. The middle pedal is highlighted in orange. Above it is a circular icon with '3x' inside, indicating three flashes.

# A PEDÁLSZETT ÁTKAPCSOLÁSA T2PM-T3PA-T3PM TÍPUSBÓL T-LCM TÍPUSRA KÉZZEL

(és vissza)

Alapértelmezettként a pedálszett módja: **T2PM-T3PA-T3PM** típus.

Ez a mód van a versenykormány alapjának belső memóriájába elmentve és mindig is ez marad addig, amíg egy T-LCM pedálszettet nem csatlakoztat a RJ12 porthoz, vagy kézzel nem állítja át a módot.

## Lépések:

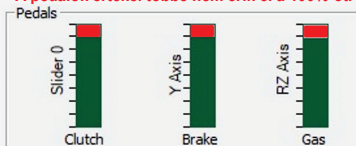
- Egyszerre nyomja meg és tartsa lenyomva a **SETTINGS (BEÁLLÍTÁSOK)** gombot (6) és a **bal oldali váltófület** (-) 5 másodpercig.



MÓD	RPM LED-ek (7) VILLOGÁSA
<b>ALAPÉRTTELMEZETT MÓD</b> - T2PM-T3PA-T3PM típus	
- T-LCM típus	



**A T-LCM típusossal, a T2PM, T3PA és T3PM pedálszettek nem megfelelően működnek.  
A pedálok értékei többé nem érik el a 100%-ot.**



**Ahhoz, hogy megint megfelelően működjenek (100% eléréssel), kézzel kell a versenykormány alapjának a módját átállítani T2PM-T3PA-T3PM típusra.**

## AZ ELFORGATÁSI SZÖG MÓDOSÍTÁSA A KORMÁNYON KÉZZEL (csak azokban a játékokban lehetséges, ahol az elforgatás szöge nem automatikusan kerül beállításra)

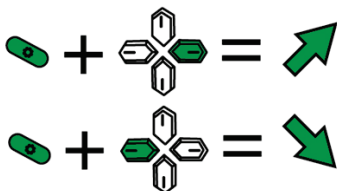
A T128 versenykormány elforgatási szög tartománya 270° és 900° között állítható.

Sok játékban az elforgatási szög tartomány automatikus és a használt autótól függően magától beállítódik. Ezekben a játékokban nincs lehetőség a kézzel történő változtatásra, hiszen a funkciót a játék kezeli és nem a felhasználó.

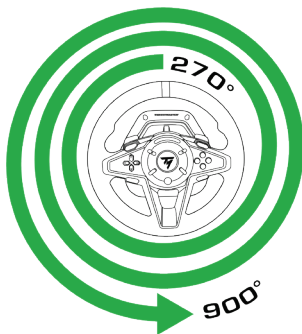
Egyéb játékokban, lehetőség van az elforgatás szöget közvetlenül a kormányon kézzel módosítani.

### Lépések:

- Egyszerre nyomja meg a **SETTINGS (BEÁLLÍTÁSOK)** gombot (6) és a **jobb irány gombot (4)** az elforgatás szögének **növeléséhez** egy lépésben; vagy
- Egyszerre nyomja meg a **SETTINGS (BEÁLLÍTÁSOK)** gombot (6) és a **bal irány gombot (4)** az elforgatás szögének **csökkentéséhez** egy lépésben.



4 lehetséges szint	
Kiválasztott elforgatási szög	RPM LED-ek(7)
270°	
360°	
540°	
900°	



**Megjegyzés:** A kézzel módosított elforgatási szög mértéke nem kerül tartósan mentésre. Ezeket a lépéseket minden alkalommal meg kell tenni, amikor a versenykormány vagy a játék újraindul.

## **A SETTINGS (BEÁLLÍTÁSOK) GOMB (6) EGYÉB FUNKCIONÁLIS LEHETŐSÉGEI**

Látogasson el a <https://support.thrustmaster.com> weboldalra.

Kattintson a **Racing Wheels (Versenykormányok) / T128**, majd a **Manual-re (Használati útmutató)** vagy a **FAQ-ra (GYIK)**.

## **A VERSENYKORMÁNY FIRMWARE FRISSÍTÉSE**

Látogasson el a <https://support.thrustmaster.com> weboldalra.

Kattintson a **Racing Wheels (Versenykormányok) / T128 / Firmware-re**, és kövesse az utasításokat.

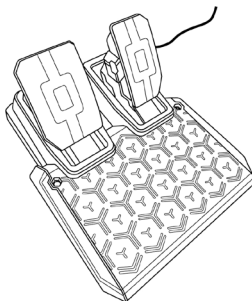
## **TIPPEK ÉS GYIK**

Látogasson el a <https://support.thrustmaster.com> weboldalra.

Kattintson a **Racing Wheels (Versenykormányok) / T128**, majd a **Manual-re (Használati útmutató)** vagy a **FAQ-ra (GYIK)**.



# T2PM PEDÁLSZETT



## FIGYELMEZTETÉS

Használat előtt figyelmesen olvassa el az útmutatót és tartsa meg későbbi használatra.



Biztonsági okokból, soha ne használja a pedálokat meztláb vagy csak zoknit viselve.

**A THRUSTMASTER® SEMMILYEN SÉRÜLÉSÉRT NEM VÁLLAL FELELŐSSÉGET, AMI A PEDÁLOK CIPŐ NÉLKÜLI HASZNÁLATÁBÓL ERED.**



**Figyelmeztetés – A pedálok becsipődést okozhatnak játék közben**

- \* A pedálszettet tartsa gyermekektől távol.
- \* Játék közben, soha ne helyezze az ujjait a pedálok oldalára vagy az oldal közelébe.
- \* Játék közben, soha ne helyezze az ujjait a pedálok mögé vagy a hátulja közelébe.
- \* Játék közben, soha ne helyezze az ujjait a pedálok elé vagy az eleje közelébe.

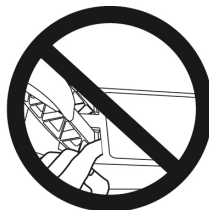
HIBÁS



HIBÁS



HIBÁS

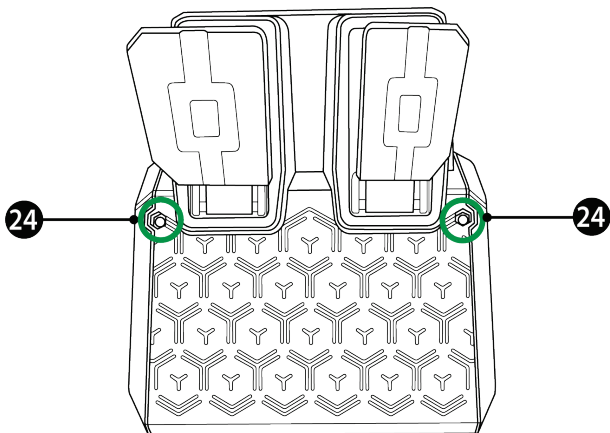


**Figyelmeztetés – A pedálok becsipődést okozhatnak játékon kívül**

\*A pedálszettet tartsa biztonságos helyen és gyermekektől távol.

## A PEDÁLSZETT RÖGZÍTÉSE TARTÓRA VAGY PILÓTAFÜLKÉBE

A pedálszett többféle tartóra (külön kapható) rögzíthető a pedálszett két oldalán kettő csavarhelyet (24) használva.



**Ha a versenykormány és/vagy pedálszett nem megfelelően működik, vagy nem jól vannak kalibrálva:**

Kapcsolja ki a konzolt vagy PC-t és húzza ki a versenykormányt, majd csatlakoztassa újra a kábeleket (beleértve az áramkábelét és a pedálszett kábelét is), és indítsa újra a konzolt (vagy PC-t) és a játékot.

## **TERMÉKSZAVATOSSÁGI TÁJÉKOZTATÓ**

A franciaországi központú Guillemot Coporation S.A. (továbbiakban "Guillemot") (székhelyének címe: Place du Granier, B.P. 97143, 35571 Chantepie, Franciaország) világszerte garantálja a vásárlóinak, hogy a Thrustmaster által forgalmazott termék anyag és gyártási hibáktól mentes és a meghatározott szavatossági időn belül a termékkel szemben a cég eljár, ha szükséges. Az Európai Unió országain belül ez a szavatossági idő a Thrustmaster termék kiszállításától számított két (2) év. Más országokban, a Thrustmaster termékekre vonatkozó szavatossági időre azon helyi jogszabályok alkalmazandók, ahol a vásárló a vásárlás ideje alatt állandó jelleggel tartózkodott (ha a szóban forgó országnak nincsen ilyen jellegű törvénykezése, abban az esetben a Thrustmaster termék eredeti idejének vásárlásától számítva a szavatossági idő egy (1) év).

A fent meghatározottak ellenére, az akkumulátorok szavatossági ideje a vásárlástól számított hat (6) hónapon belül lejár.

Amennyiben a szavatossági idő alatt a termékben meghibásodást észlel, úgy azonnal lépjen kapcsolatba a Vevőszolgálattal és ők megmondják mit kell tennie. Ha a meghibásodást jóváhagyják, a terméket vissza kell vinnie a vásárlás helyszínére (vagy a Vevőszolgálat által kijelölt helyre).

A jótállás keretein belül, a vásárló hibás termékét a Vevőszolgálat vagy kicseréli, vagy megjavítja. Ha, a szavatossági időn belül a Thrustmaster termék javítás alatt áll legalább (7) hét napig, abban az esetben, a kiesett napok számával a szavatossági idő meghosszabbítható (ezt az időszakot az alábbiak szerint kell számolni: vagy attól a dátumtól kezdve amikor a vásárló panaszt tett vagy attól a dátumtól kezdve, amikor a termék javításra átadásra került, amennyiben ez a dátum nem esik egybe a panasztétel időpontjával). Ha az alkalmazandó jogszabályok megengedik, a Guillemot és a leányvállalatai (közvetett károkat is beleértve) egyaránt a Thrustmaster termék helyreállítására vagy annak a kicserélésére kell, hogy törekedjen. Ha az alkalmazandó jogszabályok megengedik, Guillemot a termék felhasználhatóságával és rendeltetésével kapcsolatban nem vállal garanciát.

A termékszavatosság nem érvényes: (1) ha a terméket bármilyen formában módosították, felnyitották, nem rendeltetészerűen használták, egyéb külső sérüléseknek tették ki, gondatlanul kezelték vagy normális mértékben elhasználódott és az ebből fakadó károk nem vezethetőek vissza a termék gyári meghibásodásra (beleértve, de nem kizárólagosan azt az esetet, amikor a Thrustmaster terméket valamilyen nem a Guillemot által forgalmazott tépegységgel, akkumulátorral, töltővel vagy egyéb eszközzel használták); (2) ha a terméket nem csak saját használatra, hanem szakmai vagy kereskedelmi célokra is használták (pl.: játékszoba, tréning, versenyek); (3) ha a vásárló nem követte a Vevőszolgálat utasításait (4) szoftver hiba esetén. Arra más módon meghatározott jótállás érvényes; (5) fogyóeszközökre (olyan eszközök, amelyeket a termék élettartalma alatt kell cserélni. Pl.: eldobható elemek, fejhallgató vagy headset fülpárna); (6) kiegészítőkre (pl.: kábelek, tokok, tasakok, táskák, csukló rögzítők); (7) ha a terméket aukció során vásárolták meg.

A jótállás nem átruházható.

A vásárló törvényes jogaira nincs hatással a termékszavatosság, akármilyen törvények is vonatkoznak a saját országában megvásárolt termékekre.

### **További termékszavatossággal kapcsolatos rendelkezések**

A szavatossági idő alatt, Guillemot semmiféle alkatrészt nem bocsájthat a vásárló részére, mivel csak a Vevőszolgálatnak van kizárólagos joga ahhoz, hogy felnyisson és/vagy megszereljen akármilyen Thrustmaster terméket (kivévelt képez az az eset, amikor a Vevőszolgálat külön írásos instrukciókkal látja el a vásárlót a szerelést illetően és az ehhez szükséges alkatrészeket is a rendelkezésére bocsájta pl.: ha nagyon egyszerű és titoktartást nem igénylő szerelési folyamatról van szó.)

Az innovációs ciklusra való tekintettel és a termék szabadalmának, illetve az üzleti titkának védelme érdekében, Guillemot nem tesz ígéretet olyan Thrustmaster termék javítására és nem szolgáltat hozzá alkatrészt, amelynek a termékszavatossága már lejárt.

### **Felelősségvállalás**

Ha az alkalmazandó jogszabályok megengedik, a Guillemot Corporation S.A. (továbbiakban "Guillemot") és leányvállalatai nem vállalnak semmiféle felelősséget, ha a károk az alábbiak szerint keletkeztek: (1) a terméket bármilyen formában módosították vagy felnyitották ; (2) nem tartották be az összeszerelési utasítást; (3) a terméket nem rendeltetésszerűen használták, egyéb külső sérüléseknek tették ki (pl.: nyomásnak), gondatlanul kezelték ; (4) a termék normális mértékben használdott el; (5) a terméket nem csak saját használatra, hanem szakmai vagy kereskedelmi célokra is felhasználták (pl.: játékszoba, tréning, versenyek). Amennyiben az alkalmazandó jogszabályok lehetővé teszik, úgy Guillemot és a leányvállalatai nem vállalnak felelősséget azon károkért, amelyek nem a termék minőségi vagy gyártási problémájából fakadnak. (beleértve, de nem kizárólagosan azt az esetet, amikor a károkat direkt vagy indirekt módon egy szoftver okozza vagy a Thrustmaster terméket valamilyen nem a Guillemot által forgalmazott tápegységgel, akkumulátorral, töltővel vagy egyéb eszközzel használták.)

**THRUSTMASTER®**

**VEVOSZOLGALAT**

<https://support.thrustmaster.com>



## SZERZŐI JOG

©2022 Guillemot Corporation S.A. Minden jog fenntartva. A Thrustmaster® a Guillemot Corporation S.A. bejegyzett védjegye. Gyártja és forgalmazza a Guillemot Corporation S.A. Minden egyéb védjegy és márkanév igazolva van és az adott tulajdonos tulajdonában áll. A képek, termék megnevezések és jellemzők nem kötelező érvényűek. A tartalom, a design és egyéb specifikációk bármikor módosíthatók további értesítés nélkül és országonként eltérhetnek. A fényképek és illusztrációk nem kötelező érvényűek. Észak-Amerikában és Európában tervezve és Kínában gyártva. Kizárólag PlayStation®5 konzolokhoz és PlayStation®4 konzolokhoz.

Az "PS", "PlayStation", "PSS", "PS4" és "PlayStation Shapes Logo" a Sony Interactive Entertainment Inc bejegyzett védjegyei vagy védjegyei. Minden jog fenntartva. Minden egyéb védjegy a tulajdonos tulajdonában áll. A Sony Interactive Entertainment LLC. licence alatt gyártva és forgalmazva.

## KÖRNYEZETVÉDELMI AJÁNLÁS



\* Az Európai Unió, az Egyesült Királyságon és Törökországon belül: ha a termék élettartama lejárt, ne dobja ki a háztartási szeméttel együtt, hanem adja le egy az elektromos és elektronikus berendezések hulladékának újrafelhasználásáért felelős gyűjtőponton. (WEEE)

Ezt az alábbi ikon is jelöli, amit a terméken, használati útmutatón és csomagoláson is megtalál.



Az anyag sajátosságaitól függően, újrafelhasználásra lehet alkalmas. Az újrafelhasználással és azzal, hogy az elektromos és elektronikus berendezések hulladék megsemmisítésének a módját követi, jelentősen hozzájárul a környezete védelméhez. Lépjen kapcsolatba a helyi önkormányzattal, hogy hol található az Önhöz legközelebbi gyűjtőpont.

Nem Európai Uniói országokban: Vegye figyelembe a helyi elektromos és elektronikus hulladék újrafelhasználásra vonatkozó törvényt.

Őrizze meg a tájékoztatót. A színek és díszítés eltérhetnek.

Távolítsa el a műanyag rögzítőket és ragasztószalagokat a használatba vétel előtt.

**[www.thrustmaster.com](http://www.thrustmaster.com)**

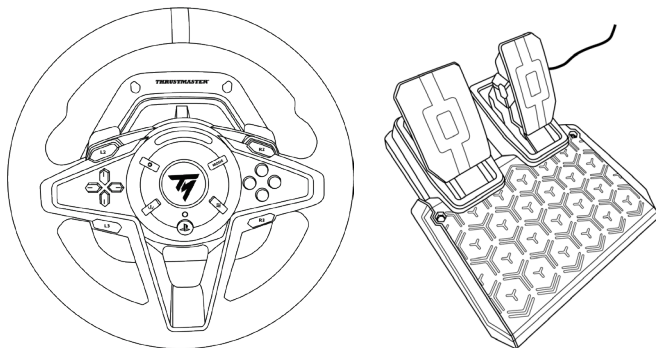
*\*EU-ban, a UK-ban és Törökországban alkalmazható*



# T128

עבור קונסולות PlayStation®5, PlayStation®4 ו-PC\*

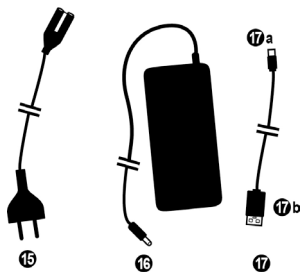
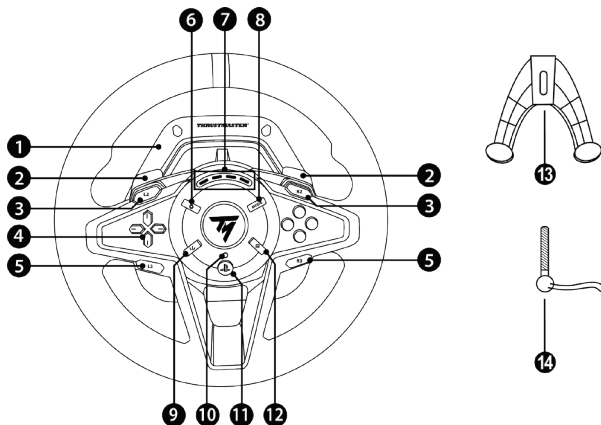
## מדריך למשתמש



### אזהרה:

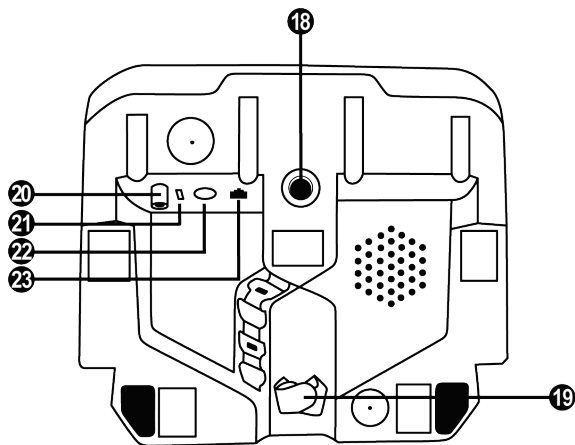
על מנת לוודא שהגה המרוצים T128 מתפקד כראוי עם משחקי קונסולות, PlayStation®5 או PlayStation®4, ייתכן שתצטרך להתקין את העדכונים האוטומטיים של המשחק (זמינים כאשר הקונסולה או המחשב האישי שלך מחוברים לאינטרנט).

\*תאימות PC (Windows®10/11) לא נבדקה או אושרה על ידי Sony Interactive Entertainment.



- 10 נורית מצב מחשק (כחולה, אדומה או ירוקה)  
 11 לחצן PS  
 12 לחצן OPTIONS בקונסולות PS4™ ו-PS5™  
 13 מערכת החיבור  
 14 בורג הידוק ממתכת  
 15 כבל חשמל (אירופה/ארה"ב/בריטניה...)  
 16 מתאם מתח  
 17 כבל USB: כבל USB-C (17a) – USB-A (17b)

- 1 בסיס T128  
 2 שתי דוושות העברת הילוכים מגנטיות (+/-)  
 3 לחצנים L2 ו-R2  
 4 לחצני כיוון  
 5 הלחצנים L3 ו-R3  
 6 לחצן SETTINGS (הגדרות)  
 7 4 נוריות סל"ד (תצוגת מהירות מנוע)  
 8 לחצן MODE  
 9 לחצן SHARE בקונסולות PS4™  
 לחצן CREATE בקונסולות PS5™



- 21** מחבר USB-C להגה מרוצים  
**22** מחבר Mini-DIN עבור מחליף, בלם יד או  
 בסיס של Thrustmaster (נמכרים בנפרד)  
**23** מחבר RJ12 למערכת דוושות

- 18** חור הברגה גדול (עבור מערכת החיבור  
 ובורג ההידוק)  
**19** מחזיק כבל הידוק ו-וילולאה  
**20** מחבר מתאם מתח



לפני השימוש במוצר זה, יש לקרוא בעיון מדריך זה ולשמור אותו לעיון בעתיד.



**אזהרה - סכנת התחשמלות**


- \* יש לשמור את המוצר במקום יבש ולהימנע מחשיפתו לאבק או לאור שמש.
  - \* אין לפתל או למשוך את המחברים והכבלים.
  - \* אין לשפוך נוזלים על המוצר או על המחברים שלו.
  - \* אין לגרום קצר במוצר.
  - \* אין לפרק את המוצר; אין לזרוק אותו לאש ואין לחשוף אותו לטמפרטורות גבוהות.
  - \* אין להשתמש בכבל חשמל מלבד זה שסופק עם הגה המרוצים שלך.
  - \* אין להשתמש בכבל החשמל אם הכבל או המחברים שלו פגומים, סדוקים, קרועים או שבורים.
  - \* יש לוודא שכבל החשמל מחובר כראוי לשקע חשמל, ומחובר כראוי למחבר בחלקו האחורי של בסיס הגה המרוצים.
  - \* אין לפתוח את הגה המרוצים: הוא אינו מכיל חלקים המיועדים לטיפול על ידי המשתמש. כל התיקונים חייבים להתבצע על ידי היצרן, נציגו המורשה או טכנאי מוסמך.
  - \* יש להשתמש אך ורק במערכות החיבור/באביזרים הנלווים המצוינים על ידי היצרן.
  - \* אם הגה המרוצים פועל בצורה לא רגילה (אם הוא משמיע צלילים משונים, או פולט חום או ריחות משונים), יש להפסיק להשתמש בו מיד, לנתק את כבל החשמל משקע החשמל ולנתק את שאר הכבלים.
  - \* אם לא תשתמש בהגה המרוצים למשך תקופה ארוכה, נתק את כבל החשמל שלו מהשקע.
  - \* שקע החשמל חייב להימצא סמוך לצידוד ולהיות נגיש בקלות.
- !** יש להשתמש באספקת המתח הרשומה בהוראות השימוש.


**מידע על מתאם ספק מתח**

יחידה	ערך	מידע שפורסם
	<b>GUILLEMOT CORPORATION S.A.</b> Rennes 758 196 414 Place du Granier BP 97143 Chantepie Cedex 35571 צרפת	שם היצרן או סמל מסחרי, מספר רישום מסחרי וכתובת
	<b>A481-1852590D</b>	מזהה דגם
V	<b>240 - 100</b>	מתח כניסה
Hz	<b>50-60</b>	תדר כניסה AC
V DC	<b>18.5</b>	מתח מוצא
A	<b>2.6</b>	זרם מוצא
W	<b>47.9</b>	הספק מוצא
%	<b>87.8</b>	יעילות פעילה ממוצעת
%	<b>87.8</b>	יעילות בעומס נמוך (10%)
W	<b>0.10</b>	צריכת מתח ללא עומס

יש להקפיד שלא לחסום את פתחי האוורור שעל בסיס ההגה המרוצים. לאוורור מיטבי, יש להקפיד לבצע את הפעולות הבאות:

- \* יש להציב את בסיס ההגה במרחק של 10 ס"מ לפחות ממשטחי קירות.
- \* אין להציב את הבסיס בחללים צפופים.
- \* אין לכסות את הבסיס.
- \* אין לאפשר הצטברות של אבק על פתחי האוורור.

  
**משיקולי בטיחות, אין להשתמש במערכת הדוושות ברגליים יחפות או עם גרביים בלבד על הרגליים.**  
**THRUSTMASTER® אינה נושאת בשום אחריות במקרה של פגיעה כתוצאה משימוש במערכת הדוושות ללא נעליים.**

**אזהרה - פציעות עקב היזון חוזר (Force Feedback) ותנועות חוזרות ונשנות** 

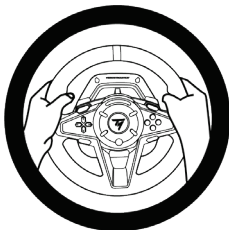
משחק בהגה מרוצים עם היזון חוזר עשוי לגרום כאבי שרירים או מפרקים. כדי למנוע בעיות אפשריות:

- \* יש להימנע ממשחק ממושך.
- \* יש להקפיד על הפסקות של 10 עד 15 דקות לאחר כל שעת משחק.
- \* במקרה של כל תחושת חולשה או כאב בידיים, בפרקי כפות הידיים, בזרועות או ברגליים, יש להפסיק לשחק ולנוח למשך כמה שעות לפני החזרה למשחק.
- \* אם התסמינים או הכאב שצינו לעיל ממשיכים בעת החזרה למשחק, יש להפסיק לשחק, ולהתייעץ עם רופא.
- \* יש להרחיק מהישג ידם של ילדים.
- \* במהלך המשחק, יש להשאיר תמיד את שתי הידיים ממוקמות כראוי על ההגה מבלי לעזוב אותו לחלוטין.
- \* במהלך המשחק, אין להניח את כפות הידיים או את האצבעות מתחת לדוושות או בכל מקום אחר בסמוך למערכת הדוושות.
- \* במהלך הכיול והמשחק, אין להכניס את היד או את הזרוע דרך הפתחים בהגה המרוצים.
- \* יש לוודא שבסיס ההגה המרוצים מחובר היטב למקומו, בהתאם להוראות מדריך זה.



המוצר מיועד למשתמשים מגיל 14 ומעלה בלבד

נכון



אסור



אסור



**אזהרה – סכנת צביטה ממערכת הדוושות בזמן משחק**



- \* יש להרחיק את מערכת הדוושות מהישג ידם של ילדים.
- \* במהלך המשחק, אין להניח את אצבעותיך על צדי הדוושות או בסמוך אליהם.
- \* במהלך המשחק, אין להניח את אצבעותיך על הבסיס האחורי של הדוושות או בסמוך אליו.
- \* במהלך המשחק, אין להניח את אצבעותיך על הבסיס הקדמי של הדוושות או בסמוך אליו.

אסור



אסור



אסור



**אזהרה – סכנת צביטה ממערכת הדוושות שלא בזמן משחק**



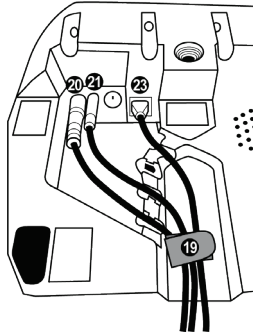
- \* יש לאחסן את מערכת הדוושות במקום בטוח, ולהרחיק מהישג ידם של ילדים.

## חיבור הגה המרוצים

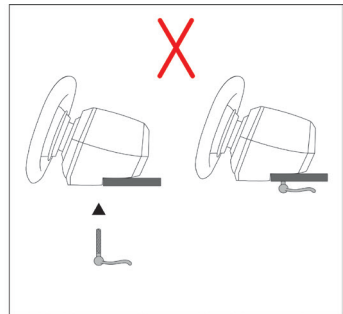
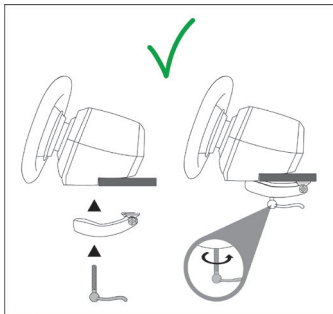
### חיבור הגה המרוצים לשולחן או לעמדת עבודה

התחל בחיבור בחלק התחתון של ההגה:

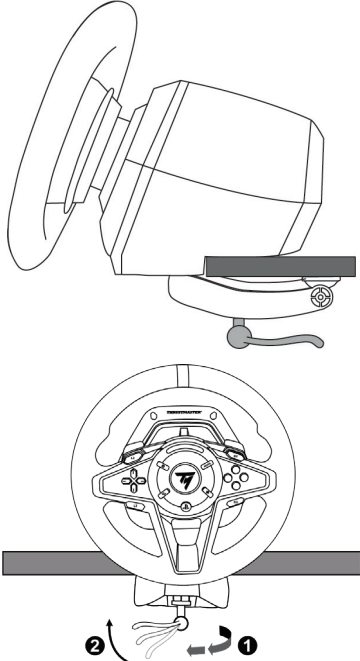
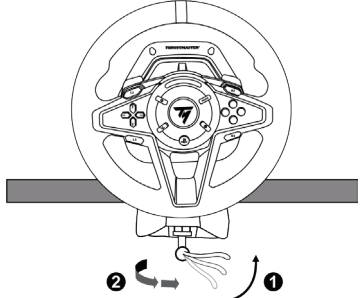
- מתאם המתח (20);
  - כבל USB-C עם שחרור מהיר (17a) למחבר USB-C (21);
  - מערכת הדוושות T2PM (23).
- הקפד לעקוב אחר הנתבי של כבלים שונים, וחבר את הכבלים באמצעות מחזיק מהדק כבל ו-ו-ולולאה (19).



1. יש להציב את הגה המרוצים על שולחן או על כל משטח יציב ושטוח אחר.
2. יש להכניס את בורג ההידוק (14) למערכת החיבור (13) ואז להדק את ההתקן על ידי סיבוב הבורג נגד כיוון השעון, כך שייכנס לתוך חור ההברגה הגדול (18) שנמצא מתחת להגה המרוצים, עד שההגה יהיה יציב לגמרי.



**אזהרה:** אין להדק את הבורג לבדו, כאשר מערכת החיבור אינה במקומה! פעולה זו עלולה לגרום נזק להגה המרוצים.

כיוון	חיבור/הסרה
 <p>The diagram illustrates the process of locking the steering wheel. The top part shows the steering wheel tilted upwards. The bottom part shows a top-down view of the steering wheel with the ignition key being turned clockwise (1) and counter-clockwise (2) to engage the steering lock.</p>	<p><b>להידוק:</b> יש לסובב את הבורג בכיוון השעון</p>
 <p>The diagram illustrates the process of unlocking the steering wheel. The top part shows the steering wheel tilted downwards. The bottom part shows a top-down view of the steering wheel with the ignition key being turned counter-clockwise (1) and clockwise (2) to disengage the steering lock.</p>	<p><b>לשחרור:</b> יש לסובב את הבורג בכיוון השעון</p>

### כיול אוטומטי של הגה המרוצים ומערכת הדוושות

ההגה מכיל באופן אוטומטי כאשר אתה מחבר את הגה המרוצים לשקע חשמל, ואת מחבר ה-USB של הגה המרוצים לקונסולת PlayStation®5, קונסולת PlayStation®4 או ל-PC. במהלך שלב זה, הגה המרוצים יסתובב במהירות שמאלה וימינה, ויכסה זווית של 900 מעלות, לפני שיעצר במרכז.



#### **אזהרה:**

**אין לגעת בהגה המרוצים במהלך שלב הכיול העצמי!  
(פעולה זו עלולה לגרום כיוול שגוי ו/או פגיעה גופנית.)**

אין לחבר את מערכת הדוושות לבסיס הגה המרוצים (או לנתק אותה מהבסיס) כאשר היא מחוברת לקונסולת PlayStation® או ל-PC או בזמן משחק (פעולה זו עלולה לגרום לכיול שגוי). יש לחבר תמיד את מערכת הדוושות לפני חיבור הגה המרוצים לקונסולת PlayStation®5, קונסולת PlayStation®4 או ל-PC. לאחר שכיול הגה המרוצים יושלם והמשחק יתחיל, הדוושות יכילו באופן אוטומטי לאחר כמה לחיצות.



#### **אזהרה:**

**אין ללחוץ על הדוושות במהלך שלב הכיול העצמי  
של הגה המרוצים או בזמן טעינת משחק!  
(פעולה זו עלולה לגרום כיוול שגוי.)**

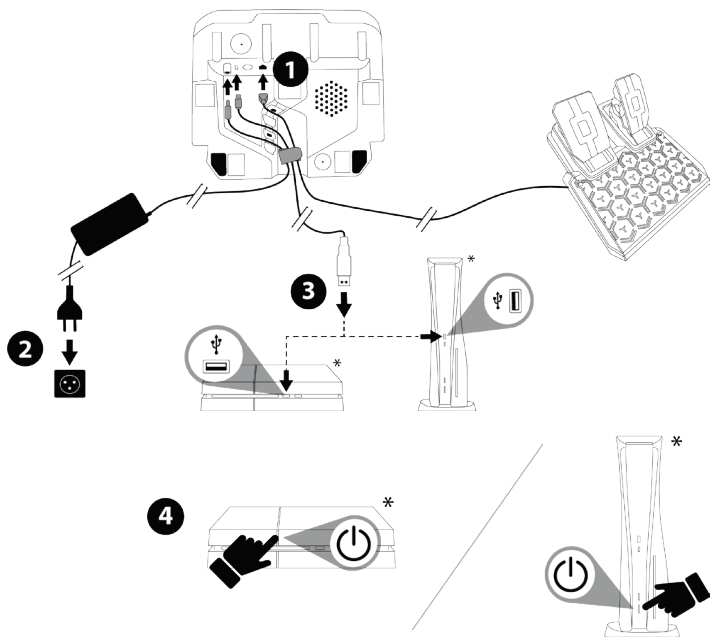
**אם הגה המרוצים ו/או מערכת הדוושות אינם פועלים כראוי, או אם נראה שהם לא מכילים נכון:**

- כבה את הקונסולה או המחשב האישי שלך, ונתק לחלוטין את הגה המרוצים. לאחר מכן, חבר מחדש את כל הכבלים (בכלל זה כבל אספקת החשמל ומערכת הדוושות), והפעל מחדש את הקונסולה (או המחשב) ואת המשחק.

- הגדר מחדש את מערכת הדוושות במצב **ברירת מחדל** לפי ההליך המופיע בהמשך במדריך זה (עמוד 16).

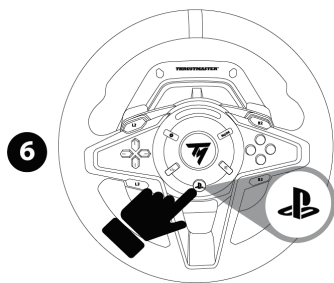
## התקנה בקונסולת PlayStation®4 או קונסולת PlayStation®5

1. חבר את מערכת הדוושות T2PM למחבר RJ12 (23) של הבסיס.
2. חבר את כבל החשמל ומתאם המתח לשקע החשמל.
3. חבר את כבל ה-USB-C (17a) לציאת ה-USB-C (21) של הבסיס.  
חבר את כבל ה-USB-A (17b) לציאת ה-USB-A בקונסולת PS4™ או בקונסולת PS5™.
4. הפעל את קונסולת PlayStation®4 או קונסולת PlayStation®5 שלך. הגה המרוצים יתכיל באופן אוטומטי.



\* לא כולל

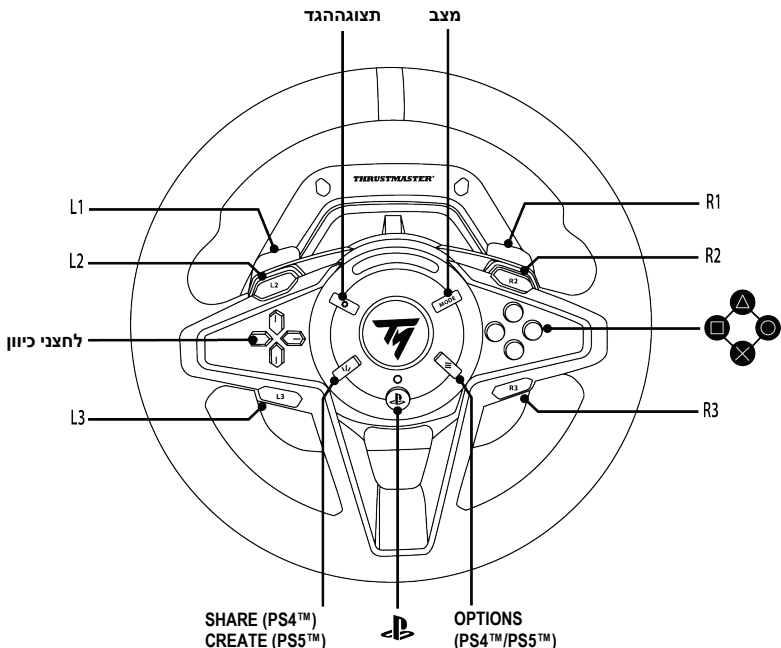
5. אם נחוץ, בחר במצב המשחק (MODE) בו תרצה לשחק באמצעות שורת הפעולות המוגדרות בהמשך מדריך למשתמש זה (עמ' 15).
6. לחץ על לחצן PS על הגה המרוצים (11) והתחבר לחשבון PlayStation™Network שלך כדי לאפשר תפקודו של הגה המרוצים.



**עכשיו הכל מוכן למשחק!**



# מיפוי לקונסולות PlayStation®4 או קונסולת PlayStation®5



## הערות לגבי קונסולות PS4™ או קונסולת PS5™:

- הגה המרוצים ניתן לאיתור במשחקים כהגה מרוצים Thrustmaster T-GT או הגה מרוצים Thrustmaster Advanced Racer.

- ארבע נוריות הסל"ד לתצוגת מהירות המנוע (7) פעילות במשחקים התואמים ל-Thrustmaster SDK. רשימת המשחקים התואמים זמינה כאן: <https://support.thrustmaster.com> (תחת Racing Wheels הגאי מרוצים) Games settings/T128 (הגדרות משחק). רשימה זו מתעדכנת באופן קבוע.

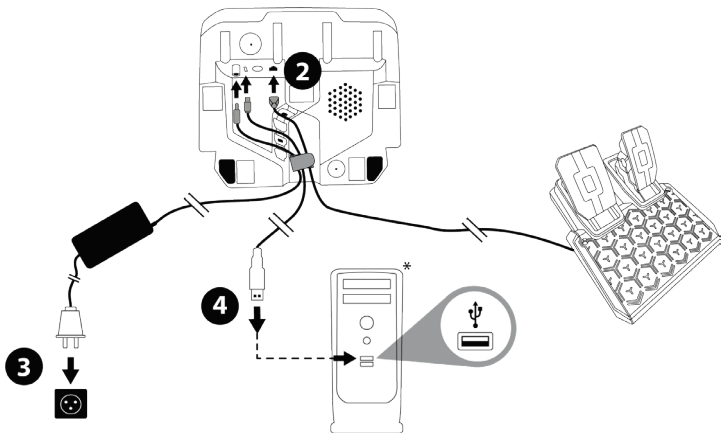
- הרשימה של משחקי קונסולות PlayStation®4 או קונסולות PlayStation®5 התואמים להגה המרוצים T128 נמצאת כאן: <https://support.thrustmaster.com> (תחת Racing Wheels הגאי מרוצים) Games settings/T128 (הגדרות משחק). רשימה זו מתעדכנת באופן קבוע.

## \*PC התקנה במחשב

\*תאימות PC (Windows® 10/11) לא נבדקה או אושרה על ידי Sony Interactive Entertainment.

1. היכנס אל <https://support.thrustmaster.com> כדי להוריד את מנהלי ההתקנים ותוכנת ההיזון החוזר למחשב. לחץ על **Racing Wheels** (הגאי מרוצים) **Drivers/T128** (מנהלי התקנים).
2. חבר את מערכת הדוושות T2PM למחבר RJ12 (23) של הבסיס.
3. חבר את כבל החשמל ומתאם המתח לשקע החשמל.
4. חבר את כבל ה-USB-C (17a) ליציאת ה-USB-C (21) של הבסיס.
5. חבר את כבל ה-USB-A (17b) ליציאת USB-A במחשב.

הגה המרוצים יתכיל באופן אוטומטי.



6. בחר באפשרות **Start** (התחל)/**FFB Racing Wheel/Thrustmaster** (הגה מרוצים FFB) **Control Panel** (לוח הבקרה) כדי לפתוח את החלון **Game Controllers** (בקרי משחק). בחלון **Game Controllers** (בקרי משחק) יופיע השם של הגה המרוצים **Thrustmaster Advanced Mode Racer**, עם הסטטוס **OK** (תקין).

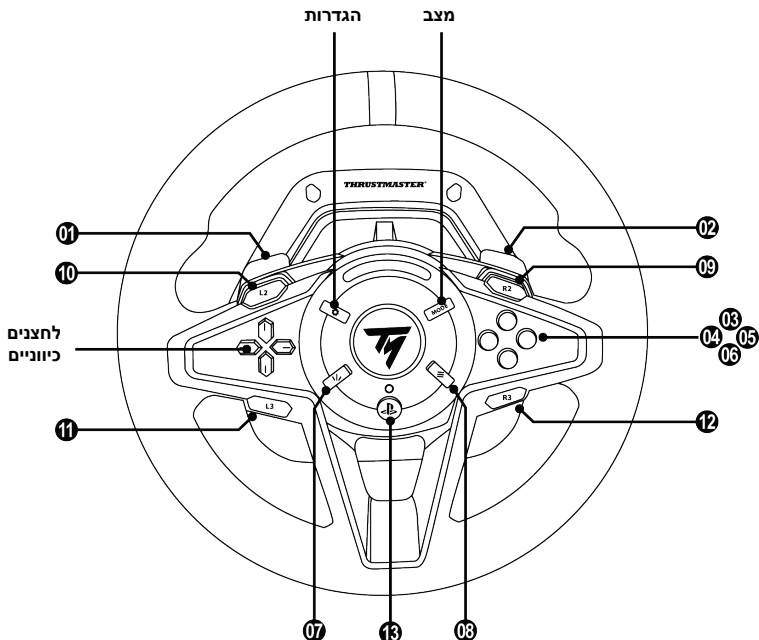
7. לחץ על **Properties** (מאפיינים) כדי להגדיר את הגה המרוצים שלך בלוח הבקרה של T128:

• הכרטיסייה **Test Device** (בדיקת מכשיר): מאפשרת לבדוק ולהציג את לחצני הפעולות, לחצני הכיוונים והצירים של הגה המרוצים (בנוסף לצירים של מערכת הדוושות) ולכוון את זווית הסיבוב של הגה המרוצים במשחקי PC.

• הכרטיסייה **Test Forces** (בדיקת כוחות): מאפשרת לבדוק את 12 האפקטים של ההיזון החוזר.

• הכרטיסייה **Adjust Forces** (כוונת כוחות): מאפשרת לכוון את העוצמה של אפקטי ההיזון החוזר במשחקי PC.

## מיפוי למחשב אישי (PC)



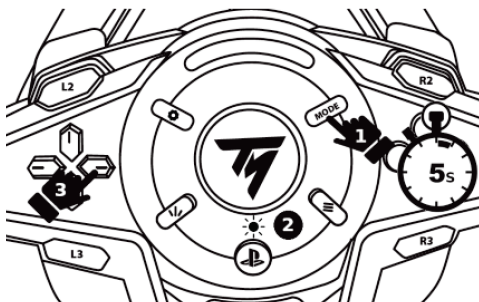
### הערות לגבי מחשב אישי (PC):

- בלוח הבקרה ובמשחקים, הגה המרוצים מזהה בשם **Thrustmaster Advanced Mode Racer**.
- חשוב לזכור תמיד לסגור לחלוטין את החלון **Game Controllers** (בקרי משחק) בלחיצה על **OK** (אישור), לפני הפעלת המשחק.
- ההגדרות והכווננים שנעשו בחלון **Game Controllers** (פקדי משחק) יישמרו רק במחשב שלך (ולכן, לא תהיה להם שום השפעה על קונסולות PS4™ או קונסולת PS5™).
- גרסת הקושחה של הגה המרוצים תופיע בחלק הימני-עליון של כרטיסיות לוח הבקרה של T128.
- ארבע נוריות הסל"ד לתצוגת מהירות המנוע (7) פעילות במשחקי PC התואמים ל-Thrustmaster SDK. רשימת המשחקים התואמים זמינה כאן: <https://support.thrustmaster.com> (תחת **Racing** (הגאי מרוצים) / **Games settings/T128** (הגדרות משחק)). רשימה זו מתעדכנת באופן קבוע.

## בחירת מצב משחק

### סדר הפעולות:

1. לחץ והחזק את הלחצן MODE (8) למשך 5 שניות עד שהנורית (10) המצויה מעל ללחצן PS תתחיל להבהב.
2. מבלי לשחרר את הלחצן MODE (8), לחץ בו-זמנית על לחצן הכיוון הימני (4) לבחירת מצב המשחק שלך.



מצב משחק ☀️	צבע נורית
PLAYSTATION® תאימות תקימה (מצב ברירת מחדל)	כחול
PLAYSTATION® תאימות עתידית	אדום
PC	ירוק

לאחר בחירת מצב המשחק, שחררו את הלחצנים: הבחירה שלכם נשמרה בזיכרון הפנימי של הגה המרוצים. הגה המרוצים יופעל מחדש ויטכיל.

### הערות:

- בקונסולות PlayStation®4 וקונסולות PlayStation®5: לתפקוד תקין של הגה המרוצים T128 לאחר כיול עצמי, לחצו על הלחצן PS (11) והתחברו לחשבון PlayStation™Network שלכם.

- הרשימה של משחקי קונסולות PlayStation®4 או קונסולות PlayStation®5 התואמים להגה המרוצים T128 נמצאת כאן: <https://support.thrustmaster.com> (תחת **Racing Wheels** (הגאי מרוצים)) **Games settings/T128** (הגדרות משחק)). רשימה זו מתעדכנת באופן קבוע.

## מצב עבור מערכת דושות (מוצג בכל הפעלה מחדש של הגה המרוצים)

בכל הפעלה מחדש של הגה המרוצים (ואחרי כיוול עצמי שלו), ארבע נוריות הסל"ד (7) יציינו את המצב (המיקום והסוג) שבו מערכת הדושות שלך מוגדרת.

### מיקום:





• רגיל: מצב ברירת מחדל;

• או הפוך: במיקום זה, דושות ההאצה והמצמד הפוכות – מיקום זה אפשרי רק עם מערכת דושות הכוללת שלוש דושות.

### סוג:

• T2PM-T3PA-T3PM בלי טכנולוגיית Load Cell: סוג ברירת מחדל;

• או T-LCM עם טכנולוגיית Load Cell.

הבהוב נוריות הסל"ד (7)	מצב עבור מערכת דושות
<p style="text-align: center;"><b>מצב ברירת מחדל</b></p> 	<p style="text-align: center;"><b>מצב ברירת מחדל</b></p> <p style="text-align: center;">- מיקום רגיל - סוג T2PM-T3PA-T3PM</p>
	<p style="text-align: center;">- מיקום רגיל - סוג T-LCM</p>
	<p style="text-align: center;">- מיקום הפוך - סוג T2PM-T3PA-T3PM</p>
	<p style="text-align: center;">- מיקום הפוך - סוג T-LCM</p>

**הגדרה מחדש של דושה המוגדרת במצב ברירת מחדל  
(לביצוע אם מערכת הדושות לא פועלת נכון)**

הליך:

- לחץ מהר על לחצן ההגדרות (6) 8 פעמים.



ארבע נוריות הסל"ד (7) יבהבו 5 פעמים בו-זמנית כדי לציין הגדרה מחדש במצב ברירת מחדל.



## הפיכת מיקום הדוושות (במקרה של מערכת דוושות עם שלוש דוושות)

כברירת מחדל, הגה המרוצים T128 מגיע עם מערכת הדוושות T2PM, שכוללת שתי דוושות. הגה המרוצים תואם גם למערכות הדוושות T3PA, T3PM ו-T-LCM, הכוללות שלוש דוושות (נמכרות בנפרד).

אם אתה משתמש במערכת דוושות הכוללת שלוש דוושות, אפשר להפוך אלקטרונית בין דוושות ההאצה והמצמד.

הליך:

- לחץ והחזק את לחצן ההגדרות (6) למשך 5 שניות.



היפוך הדוושות נשמר מיד בזיכרון הפנימי של הגה המרוצים, ואחת מארבע נוריות הסל"ד (7) תהבהב שלוש פעמים כדי לציין את המיקום הנבחר.

דוושות האצה ומצמד	הבהוב נוריות הסל"ד (7)
מצב ברירת מחדל - מיקום רגיל	
- מיקום הפוך	

## העברה ידנית של מערכת הדוושות מסוג T2PM-T3PA-T3PM לסיג T-LCM (ולהפך)

כברירת מחדל, המצב של מערכת הדוושות הוא סיג T2PM-T3PA-T3PM.

המצב הזה נשמר בזיכרון הפנימי של בסיס הגה המרוצים, ותמיד נשאר מופעל, למעט במקרים שבהם חיברת מערכת דוושות T-LCM ליציאת ה-RJ12, או שהחלפת את המצב באופן ידני.

הליך:

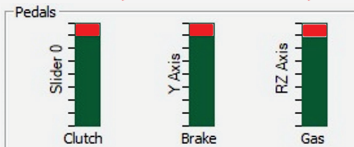
5 - לחץ והחזק בו-זמנית את לחצן ההגדרות (6) ואת דוושת העברת ההילוכים השמאלית (-) למשך 5 שניות.



מזב	הבהוב נוריות הסל"ד (7)
מצב ברירת מחדל T2PM-T3PA-T3PM סיג -	
T-LCM סיג -	



עם הסיג T-LCM, מערכות הדוושות T2PM, T3PA ו-T3PM לא יפעלו נכון. ערכי הדוושות כבר לא יגיעו ל-100%.



כדי לשוב לפעולה תקינה (ולהגיע ל-100%), יש להחליף ידנית את המצב של בסיס הגה המרוצים לסיג T2PM-T3PA-T3PM.



## שינוי ידני של זווית הסיבוב מהגה המרוצים (אפשרי רק במשחקים שבהם אין התאמה אוטומטית של זווית הסיבוב)

להגה המרוצים T128 יש זווית סיבוב ניתנת להתאמה, בין  $270^{\circ}$  ל- $900^{\circ}$ .

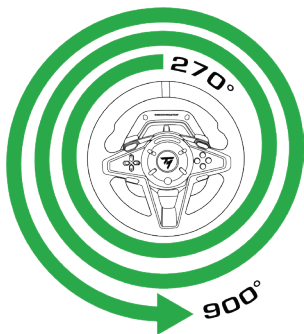
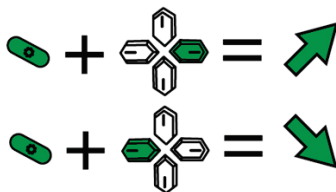
בהרבה משחקים, זווית הסיבוב של הגה המרוצים היא אוטומטית, ומתכווננת בעצמה לפי המכונית הנכחית. במשחקים אלה, אי אפשר לשנות ידנית את זווית הסיבוב הזו, והפונקציה מנוהלת על-ידי המשחק, ולא על-ידי המשתמש.

במשחקים אחרים, אפשר לשנות ידנית את זווית הסיבוב, ישירות מהגה המרוצים.

הליך:

- לחץ בו-זמנית על לחצן ההגדרות (6) ולחצן הכיוון ימינה (4) כדי להגדיל את זווית הסיבוב במרווח אחד; לחלופין,

- לחץ בו-זמנית על לחצן ההגדרות (6) ולחצן הכיוון שמאלה (4) כדי להקטין את זווית הסיבוב במרווח אחד.



4 רמות אפשריות	
נוריות סל"ד (7)	זווית הסיבוב הנבחרת
	$270^{\circ}$
	$360^{\circ}$
	$540^{\circ}$
	$900^{\circ}$

הערה: זווית הסיבוב לא נשמרת לתמיד אחרי שינוי ידני מהגה המרוצים. יש לבצע את ההליך בכל הפעלה מחדש של המשחק או הגה המרוצים.

## **יכולות אחרות הקשורות ללחצן ההגדרות (6)**

בקר בכתובת <https://support.thrustmaster.com>, ולאחר מכן על Manual (מדריך) או FAQ (שאלות נפוצות).  
לחץ על Racing Wheels (הגאי מרוצים)/T128, ולאחר מכן על Manual (מדריך) או FAQ (שאלות נפוצות).

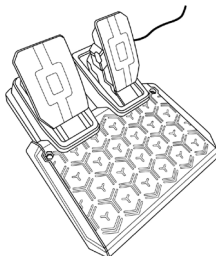
## **עדכון קושחת הגה המרוצים**

היכנס אל <https://support.thrustmaster.com>.  
לחץ על Racing Wheels (הגאי מרוצים)/Firmware/T128 (קושחה), ובצע את ההוראות.

## **טיפים שונים ושאלות נפוצות**

היכנס אל <https://support.thrustmaster.com>.  
לחץ על Racing Wheels (הגאי מרוצים)/T128, ולאחר מכן על Manual (מדריך) או FAQ (שאלות נפוצות).

# מערכת דוושות T2PM



## אזהרה

לפני השימוש במוצר זה, יש לקרוא בעיון מדריך זה ולשמור אותו לעיון בעתיד.



משיקולי בטיחות, אין להשתמש במערכת הדוושות ברגליים יחפות או עם גרביים בלבד על הרגליים.  
THRUSTMASTER® אינה נושאת בשום אחריות במקרה של פגיעה כתוצאה משימוש במערכת הדוושות ללא נעליים.



## אזהרה – סכנת צביטה ממערכת הדוושות בזמן משחק

\* יש להרחיק את מערכת הדוושות מהישג ידם של ילדים.  
\* במהלך המשחק, אין להניח את אצבעותיך על צדי הדוושות או בסמוך אליהם.  
\* במהלך המשחק, אין להניח את אצבעותיך על הבסיס האחורי של הדוושות או בסמוך אליו.  
\* במהלך המשחק, אין להניח את אצבעותיך על הבסיס הקדמי של הדוושות או בסמוך אליו.

אסור



אסור



אסור

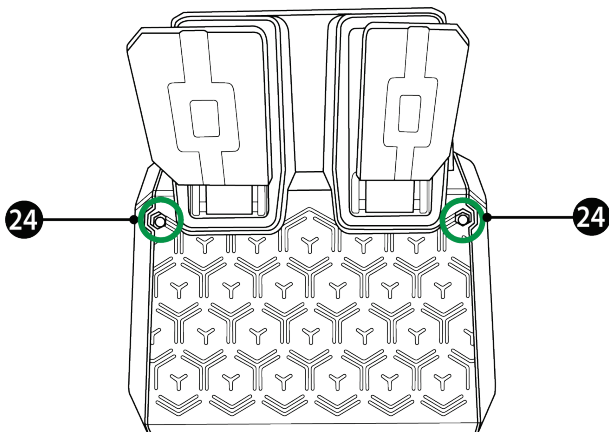


## אזהרה – סכנת צביטה ממערכת הדוושות שלא בזמן משחק

\* יש לאחסן את מערכת הדוושות במקום בטוח והרחק מהישג ידם של ילדים.

## חיבור ערכת הדוושות לתושבת או לוקופיט

את מערכת הדוושות אפשר לחבר למגוון תושבות שונות (נמכרות בנפרד) באמצעות שני הנקבים (24) משני הצדדים של מערכת הדוושות.



אם הגה המרוצים ו/או מערכת הדוושות אינם פועלים כראוי, או אם נראה שהם לא מכילים נכון: כבה את הקונסולה או ה-PC, ונתק לחלוטין את הגה המרוצים. לאחר מכן, חבר מחדש את כל הכבלים (בכלל זה כבל אספקת החשמל ומערכת הדוושות), והפעל מחדש את הקונסולה (או המחשב) ואת המשחק.

## מידע בנושא אחריות לצרכן פרטי אחריות לצרכן

בעולם, Guillemot Corporation S.A., שמשרדיה הרשומים נמצאים בכתובת France, 35571 Chantepie, B.P. 97143, Place du Granier ("Guillemot" להלן) מתחייבת לצרכן, כי מוצר זה מבית Thrustmaster יהיה נטול פגמים בחומרים ובטיב העבודה, למשך תקופת אחריות התואמת למגבלת הזמן להגשת תביעת תאימות בנוגע למוצר זה. במדינות האיחוד האירופי, תקופה זו תואמת לשנתיים (2 שנים) מיום המשלוח של המוצר מבית Thrustmaster. בארצות אחרות, תקופת אחריות תואמת למגבלת הזמן להגשת תביעת תאימות בנוגע למוצר זה מבית Thrustmaster, בהתאם לחוקים החלים בארץ בה הצרכן מתגורר בתאריך הרכישה של המוצר מבית Thrustmaster (אם לא קיימת תביעה שכזו בארץ המתאימה, תקופת האחריות תהיה שנה אחת (1) מתאריך הרכישה המקורי של המוצר מבית Thrustmaster).

על אף האמור לעיל, סוללות נטענות מכוסות בתקופת אחריות של שישה (6) חודשים מתאריך הרכישה המקורי.

אם נראה שהמוצר פגום במהלך תקופת האחריות, יש לפנות מיד לתמיכה הטכנית שתציין את הליך על פיו יש לפעול. אם הפגם אושר, יש להחזיר את המוצר למקום הרכישה (או לכל מקום אחר שצוין על ידי התמיכה הטכנית).

במסגרת אחריות זו, המוצר הפגום של הצרכן יוחלף או יתוקן, בכפוף להחלטת התמיכה הטכנית. אם במהלך תקופת האחריות, המוצר מבית Thrustmaster יושפץ כאמור, כל תקופה העולה על שבעה (7) ימים במהלכה המוצר הוצא מכלל שימוש תנוסף לתקופת האחריות שנותרה (תקופה זו מתחילה מתאריך הבקשה של הלקוח להתערבות או מהתאריך בו המוצר המדובר הפך זמין לשיפוצ, אם התאריך בו המוצר הפך זמין לשיפוצ מאוחר יותר מתאריך בקשת ההתערבות). אם הדבר מותר על פי החוקים החלים, האחריות המלאה של Guillemot וחברות הבת שלה (כולל האחריות לנוקים תוצאתיים) מוגבלת להחלפה או לתיקון של המוצר מבית Thrustmaster. אם הדבר מותר על פי החוקים החלים, Guillemot מתנעת מכל אחריות בנוגע לסחירות או התאמה למטרה מסוימת.

אחריות זו לא תחול: (1) אם המוצר הותאם, נפתח, שונה או ספג נזק כתוצאה משימוש בלתי הולם או שימוש לרעה, הונחה, תאונה, בלאי רגיל, או כל סיבה אחרת שאינה קשורה לפגם בחומרים או בייצור (כולל, אך לא מוגבל לשילוב של המוצר מבית Thrustmaster עם כל אלמנט בלתי מתאים, כולל בייחוד ספקי כוח, סוללות נטענות, או כל אלמנט אחר שאינו מסופק על ידי Guillemot עבור מוצר זה); (2) אם המוצר שימש למטרה כלשהי שאינה שימוש ביתי, כולל למטרות מקצועיות או מסחריות (למשל, חדרי משחקים, הכשרה, תחרויות); (3) במקרה של חוסר ציות להוראות המסופקות על ידי התמיכה הטכנית; (4) על תוכנה, התוכנה המדוברת כפופה לאחריות ספציפית; (5) על חומרים מתכלים (רכיבים שיש להחליף לאורך חיי המוצר: סוללות חד פעמיות, אוזניות שמע, או רפידות האוזניים של האוזניות); (6) על אביזרים (למשל, כבלים, נרתיקים, תיקים, פאז'ים, רצועות די); (7) אם המוצר נמכר במכירה פומבית.

הזכויות החוקיות של הצרכן בנוגע לחוקים החלים על מכירת סחורות לצרכן בארצו, לא יושפעו על ידי אחריות זו.

## הוראות נוספות במסגרת האחריות

במהלך תקופת האחריות, Guillemot לא תספק, באופן עקרוני, חלקי חילוף כלשהם, משום שהתמיכה הטכנית היא הגוף היחיד המוסמך לפתוח ו/או לשפץ מוצרים מבית Thrustmaster (לא כולל הליכי שיפוץ שהתמיכה הטכנית עשויה לדרוש שהלקוח יבצע, באמצעות הוראות בכתב - לדוגמה, עקב פשטות הליך השיפוץ והיותו בלתי חסוי - ובאמצעות אספקת חלקים\*) החילוף הנחוצים לצרכן, כאשר הדבר רלוונטי).  
עקב מחזורי החידושים שלה, ועל מנת להגן על סודות המידע והמסחר שלה, Guillemot לא תספק, באופן עקרוני, הודעות שיפוץ או חלקי חילוף עבור מוצר כלשהו מבית Thrustmaster אשר תקופת האחריות שלו פגה.

## חבות

אם הדבר מותר על פי החוק החל, Guillemot Corporation S.A. (להלן "Guillemot") וחברות הבת שלה מתנערות מכל חבות שהיא עבור נזקים שגרמו על ידי אחד או יותר מהדברים הבאים: (1) המוצר הותאם, נפתח או שונה; (2) אי ציות להוראות ההרכבה; (3) שימוש בלתי הולם או שימוש לרעה, הזנחה, תאונה (למשל, פגיעה); (4) בלאי רגיל; (5) שימוש במוצר למטרה כלשהי שאינה שימוש ביתי, כולל למטרות מקצועיות או מסחריות (למשל, חדרי משחקים, הכשרה, תחרויות). אם הדבר מותר על פי החוק החל, Guillemot ובנות הבת שלה מתנערות מכל אחריות בנוגע לנזקים כלשהם שאינם קשורים לפגם בחומר או בייצור בהקשר למוצר (כולל, אך לא מוגבל לנזקים כלשהם הנגרמים באופן ישיר או עקיף על ידי תוכנה, או על ידי שילוב של מוצר מבית Thrustmaster עם רכיבים לא מתאימים, כולל בייחוד ספקי כוח, סוללות נטענות, מטענים או כל רכיב אחר שלא סופק על ידי Guillemot עבור מוצר זה).

**THRUSTMASTER®**

**תמיכה טכנית**

<https://support.thrustmaster.com>



## זכויות יוצרים

Guillemot Corporation S.A. ©2022. כל הזכויות שמורות. Thrustmaster® הוא סימן מסחרי רשום של Guillemot Corporation S.A. מיוצר ומופץ על ידי Guillemot Corporation S.A. כל שאר הסימנים המסחריים ושמות המתגים מוכרים באותו המהווים קניין רוחני של בעליהם. התוכן, העיצוב והמפרטים נתונים לשינויים ללא התראה מראש, ועשויים להשתנות ממדינה למדינה. התמונות והאזורים אינם מחייבים. מעוצב בצפון אמריקה ובאירופה, תוצרת סין.

לשימוש בלעדי עם קונסולות PlayStation®5 וקונסולות PlayStation®4.

"PS", "PS4", "PS5", "PlayStation", ו"PlayStation Shapes" הם סימנים מסחריים רשומים או סמל מסחרי של Sony Interactive Entertainment Inc. כל הזכויות שמורות. כל הסימנים המסחריים האחרים הם רכושם של בעליהם. מיוצר ומופץ ברישיון של Sony Interactive Entertainment LLC.

## המלצה בנוגע להגנה על הסביבה

באיחוד האירופי, בבריטניה ובטורקיה: עם סיום חיי השימוש שלו, אין להשליך מוצר זה ביחד עם פסולת ביתית רגילה, אלא יש להביאו לנקודת איסוף לסילוק פסולת חשמלית ואלקטרונית (WEEE) לצורך מיחזור.



עובדה זו ניתנת לאימות באמצעות הסמל המופיע על המוצר, המדריך למשתמש או האריזה. ניתן למחזר את החומרים, בהתאם לתכונותיהם. באמצעות מיחזור ודרכים אחרות לעיבוד פסולת חשמלית ואלקטרונית, באפשרותך לתרום תרומה משמעותית להגנה על הסביבה.



למידע על נקודת האיסוף הקרובה אליך יש לפנות לרשויות המקומיות. לכל הארצות האחרות: יש לציית לחוקי המיחזור המקומיים לצידוד חשמלי ואלקטרוני.

יש לשמור מידע זה. הצבעים והקישוטים עשויים להשתנות. לפני השימוש, יש להסיר מהמוצר מהדקי פלסטיק ומדבקות.

[www.thrustmaster.com](http://www.thrustmaster.com)

\*רלוונטי באיחוד האירופי, בבריטניה ובטורקיה בלבד

