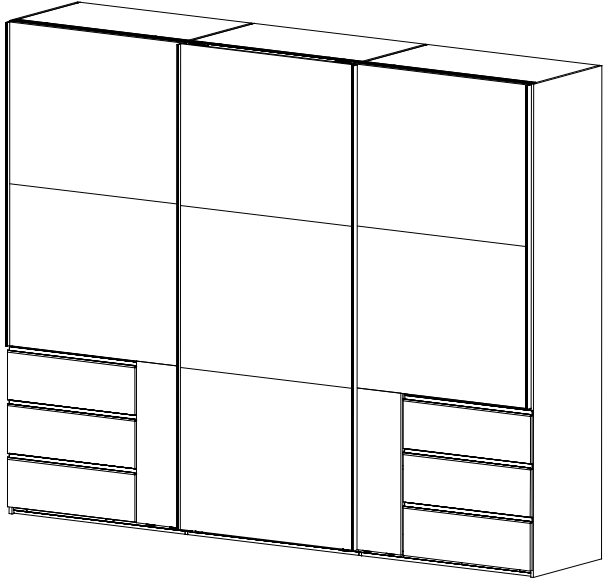
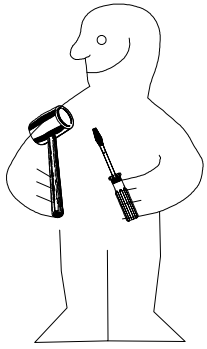
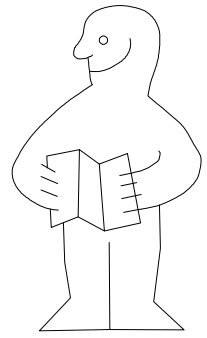
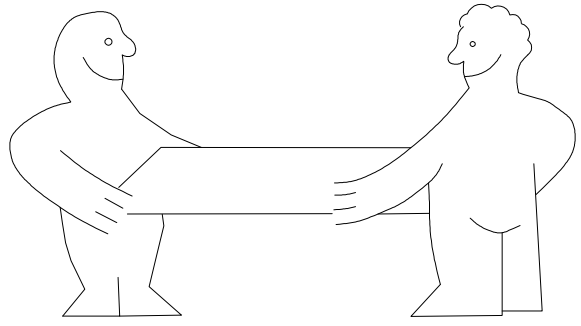
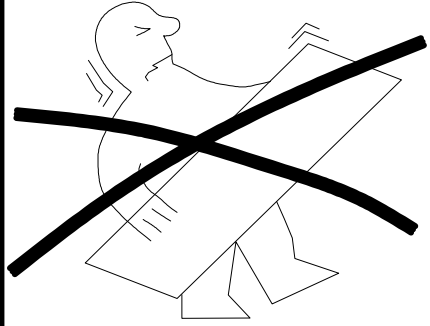




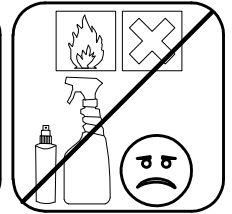
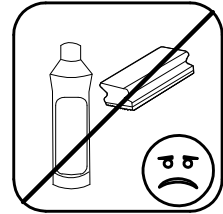
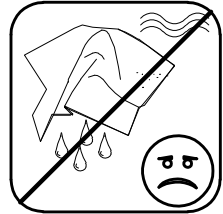
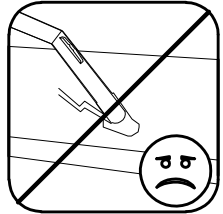
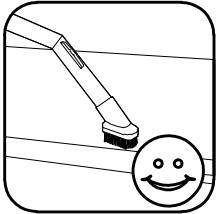
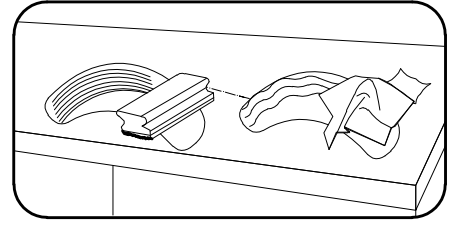
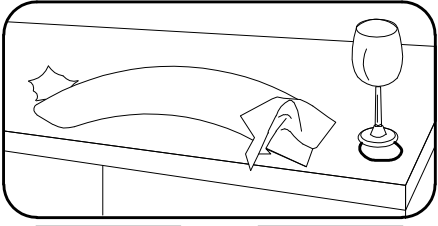
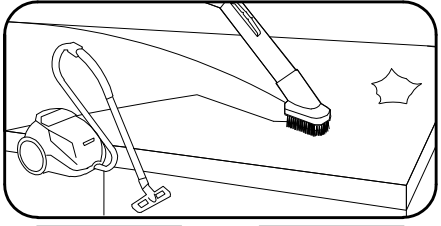
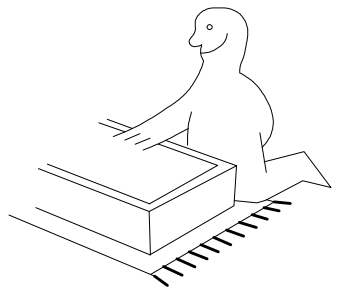
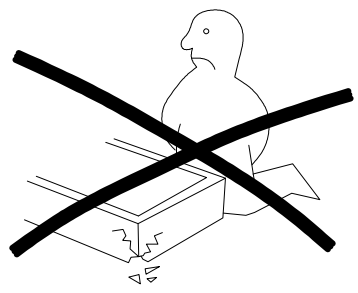
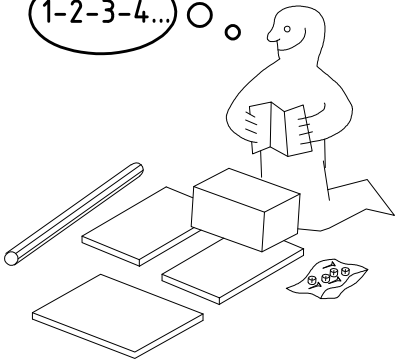
980792




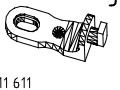
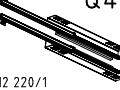
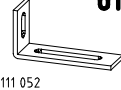
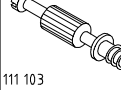





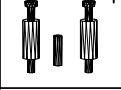
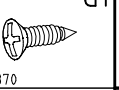
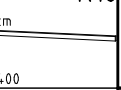
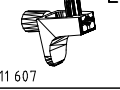
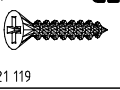
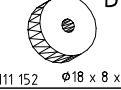
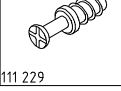

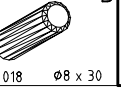

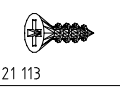
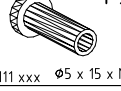


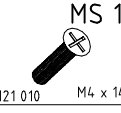
SHSP 300 3trg ASK



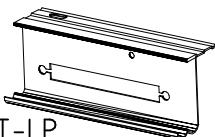
1-2-3-4... ○

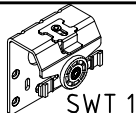
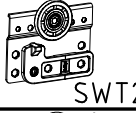
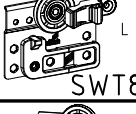
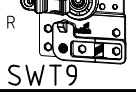


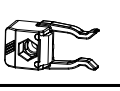

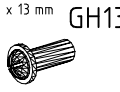
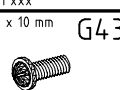

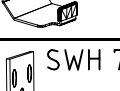
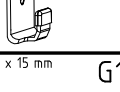
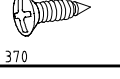

 A1 111 xxx	24x	 S0 111 300	15x	 K2 117 002	6x	 J2 111 611	15x	 Q45 112 220/1	6x	 o10 111 052	1x
 C 111 103	8x	 V12 111 xxx φ12 3,5 x 15 mm	15x	 SBV	36x	 T1 112 055	36x	 T3 M6 x 10	12x	 SP13 121 122	4x
 F3	8x	 G1 121 370	42x	 K10 100cm	3x	 L8 111 607	24x	 G25 3,5 x 40 mm	14x	 D8 111 152	12x
 F 111 229	8x	 VB23 111 252	8x	 D 353 018	4x	 Z 163 007	4x	 G21 3 x 13 mm	24x	 F5 111 xxx	12x

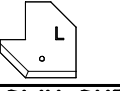




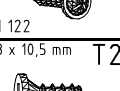
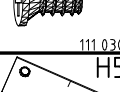
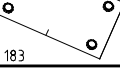

 MS 14 121 010	M4 x 14	12x
--	---------	-----

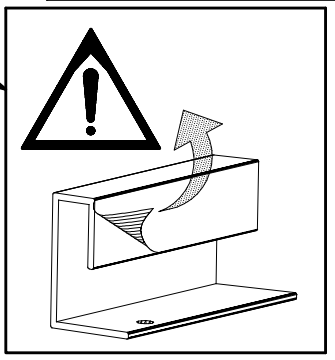
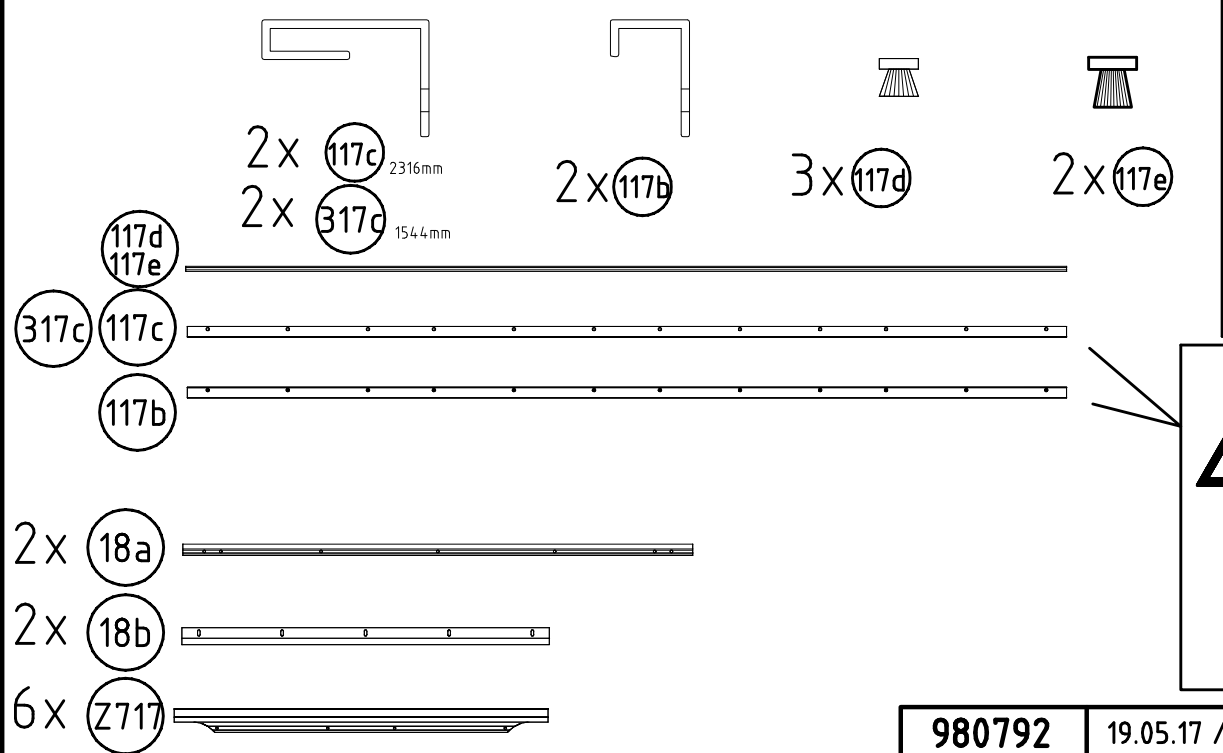
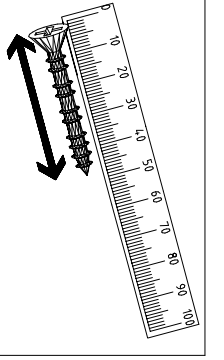
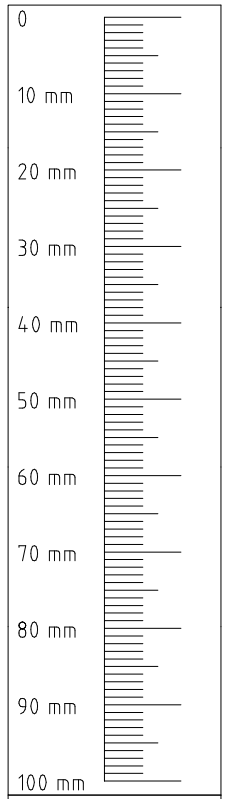
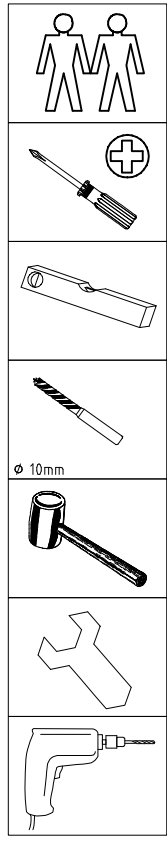
1x  FPK
1453/1940/2430/2920/3408

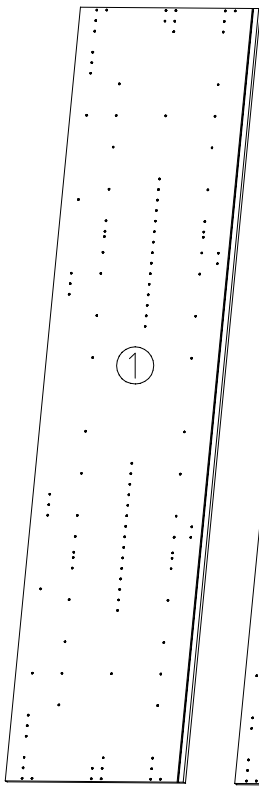
1x  SWT-LP
1453/1940/2430/29203trg
/3410 SY

 SWT 1	2x
 SWT 2	2x
 SWT 8	1x
 SWT 9	1x

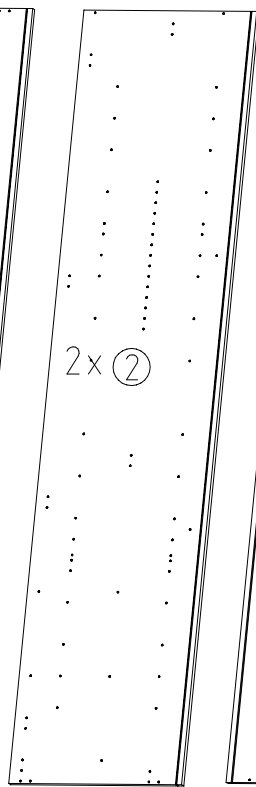
 SWT-ST	2x
 SWT-SM5 M4 x 13 mm	2x
 GH13 121 xxx	6x
 G43 M4 x 10 mm	6x
 121 xxx	6x
 SWH 6	2x
 SWH 7	4x
 G1 3,5 x 15 mm	2x
 121 370	2x

 SWH-SKL L	1x
 SWH-SKR R	1x
 G24 3,5 x 22 mm	9x
 G14 3,5 x 35 mm	2x
 121 375	2x
 SP13 4 x 13mm	112x
 T2 121 122	34x
 H5 111 030	8x
 114 183	8x

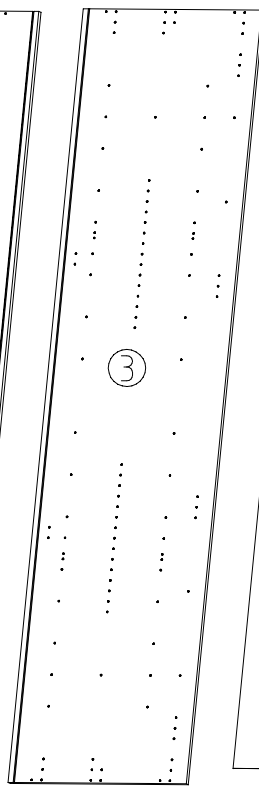




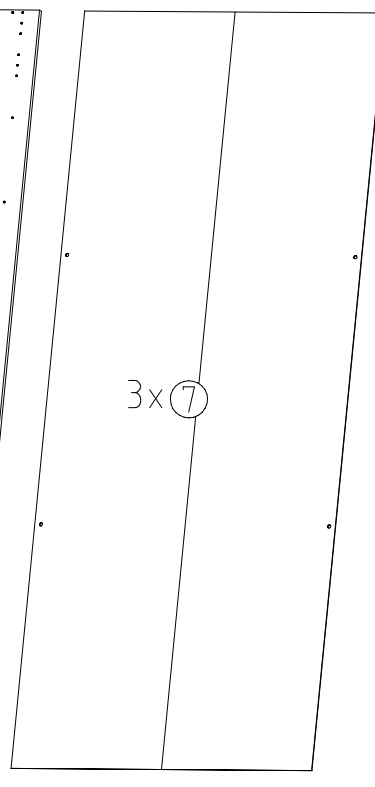
2352x577x15



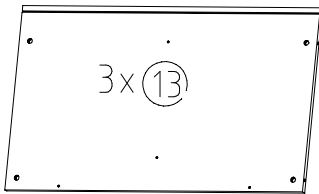
2352x560x15



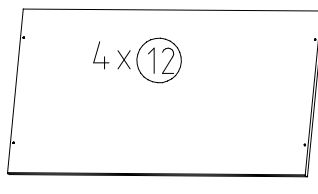
2352x577x15



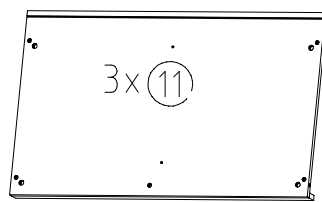
2303x973x2,5



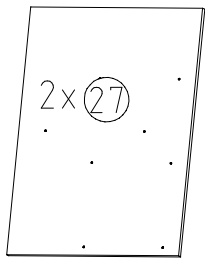
964x560x15



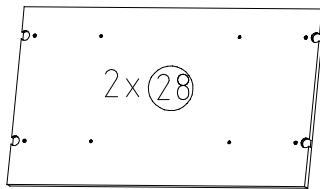
964x500x18



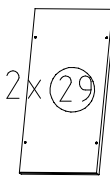
964x560x47



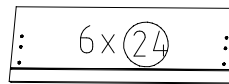
753x557x15



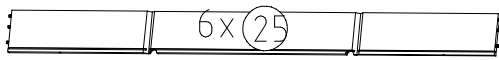
964x540x22



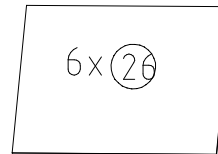
250x500x18



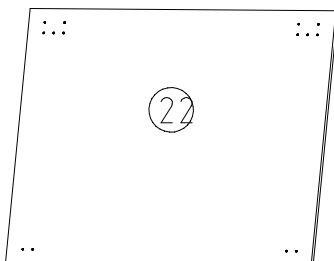
717x227x15



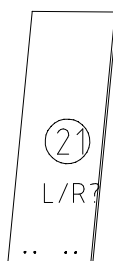
450/675/450x126x12



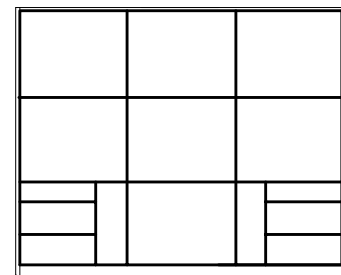
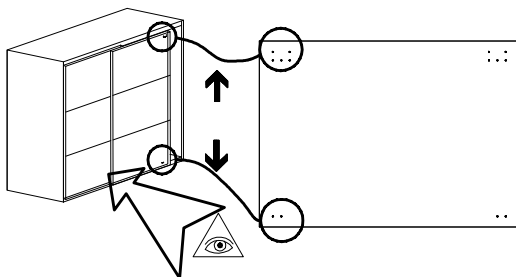
661x449x2,5



7x 990x772x15

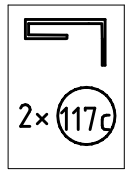
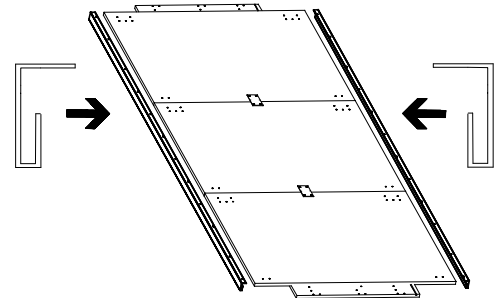
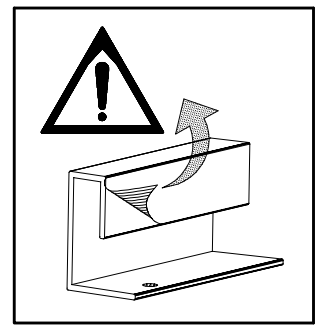
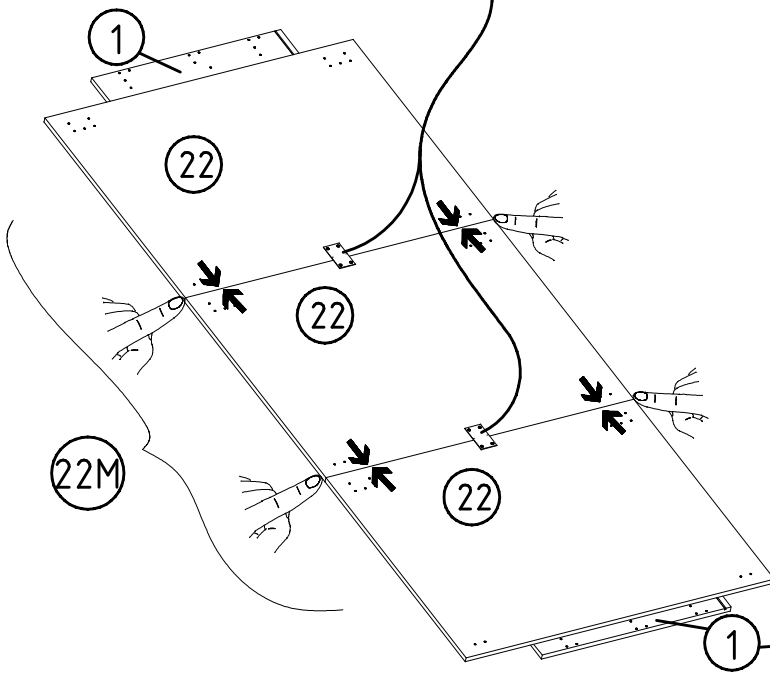
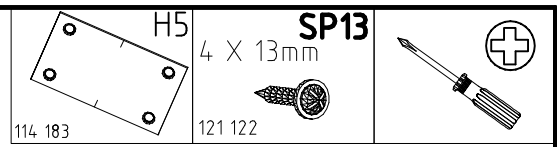
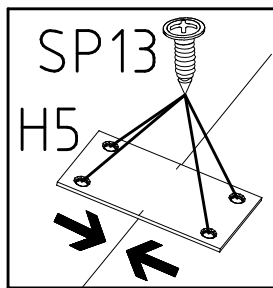
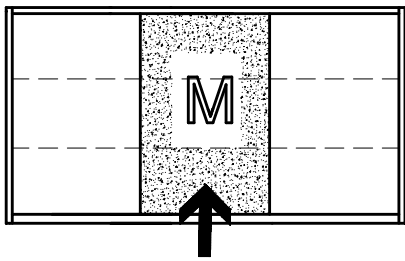


2x268x772x15

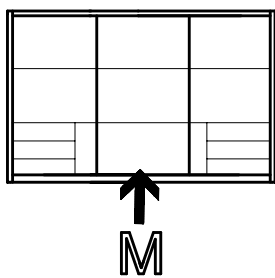
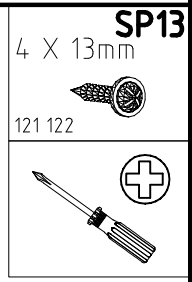
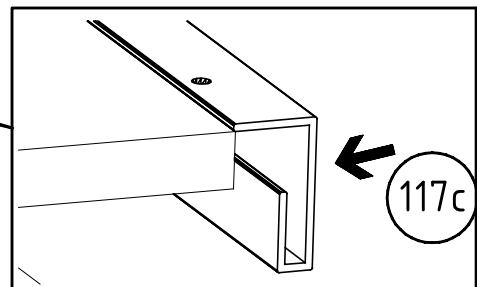
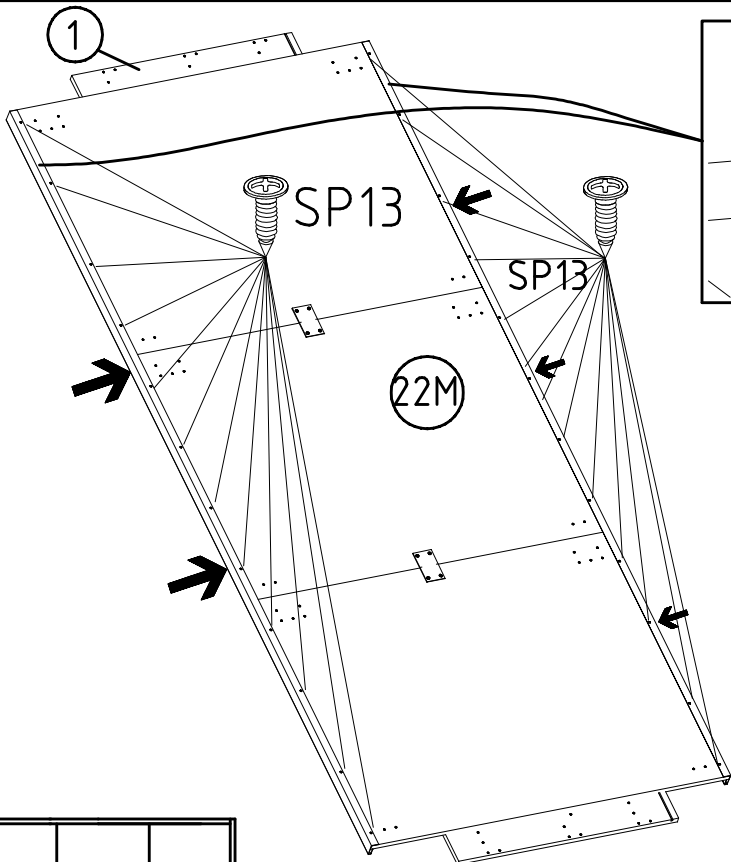


L M R

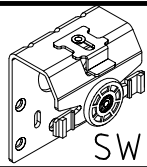
1



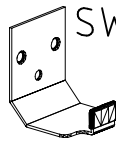
2



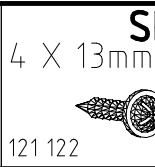
3



SWT 1

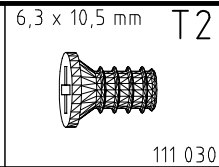


SWH 6



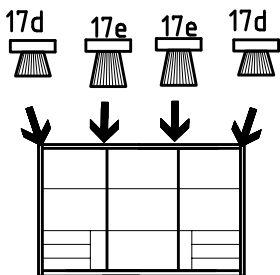
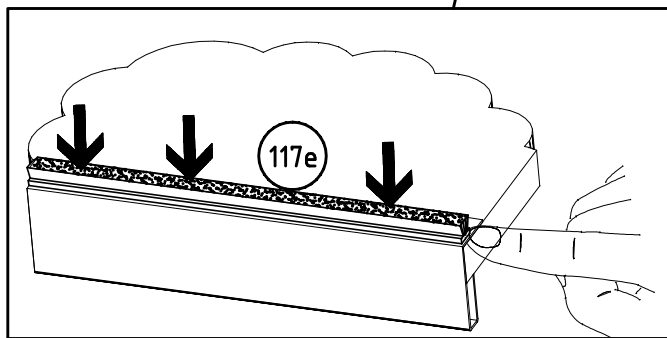
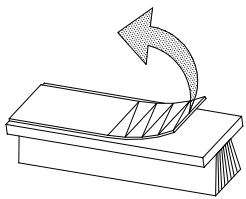
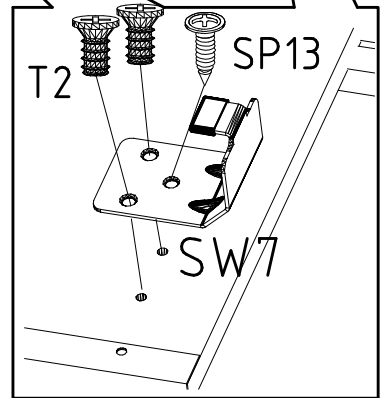
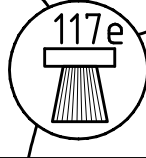
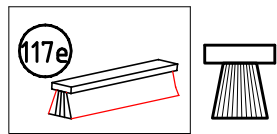
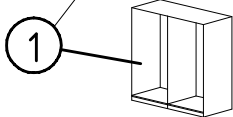
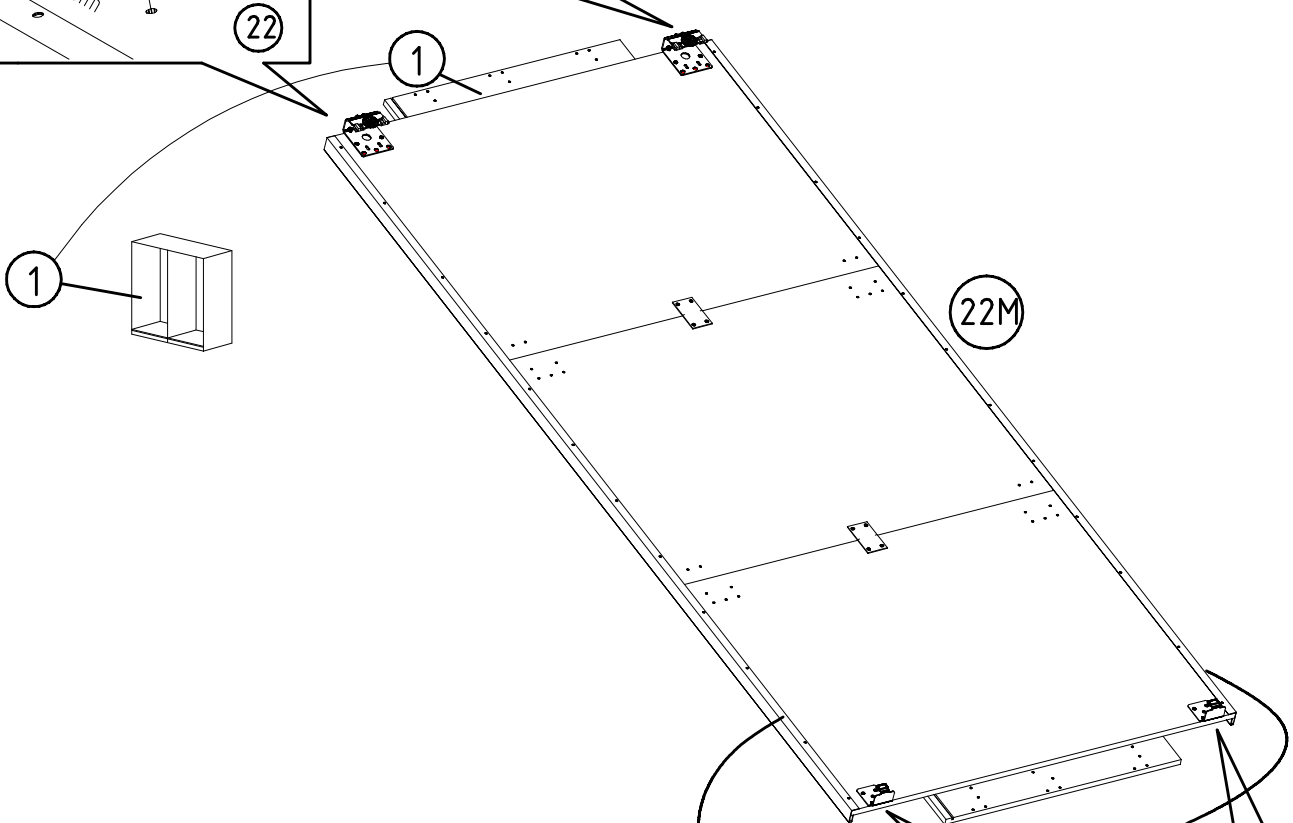
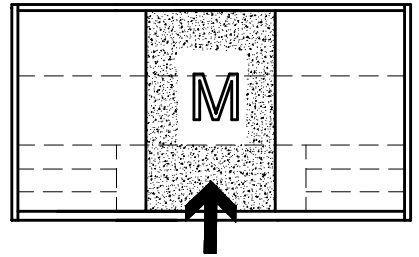
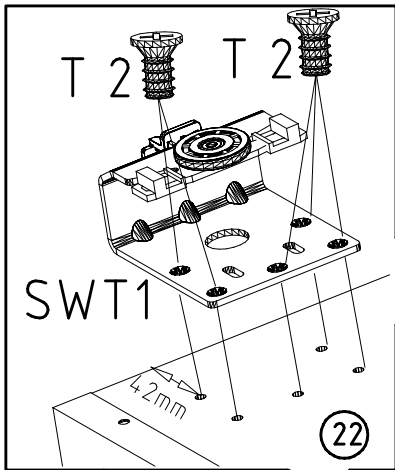
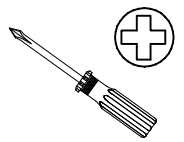
SP13
4 X 13mm

121 122

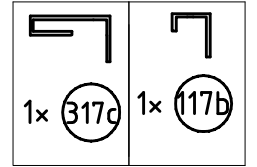
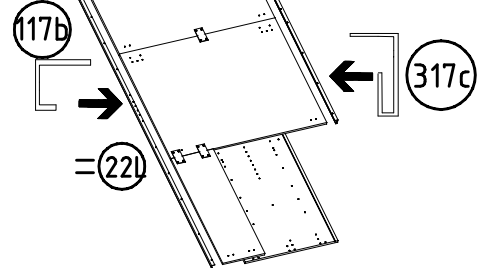
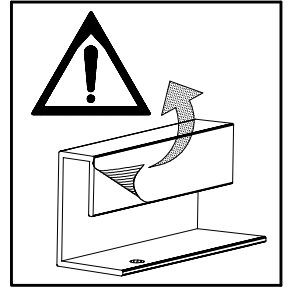
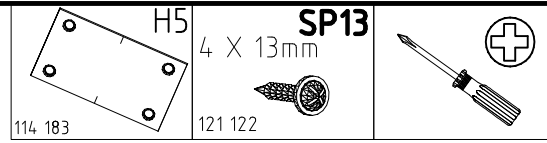
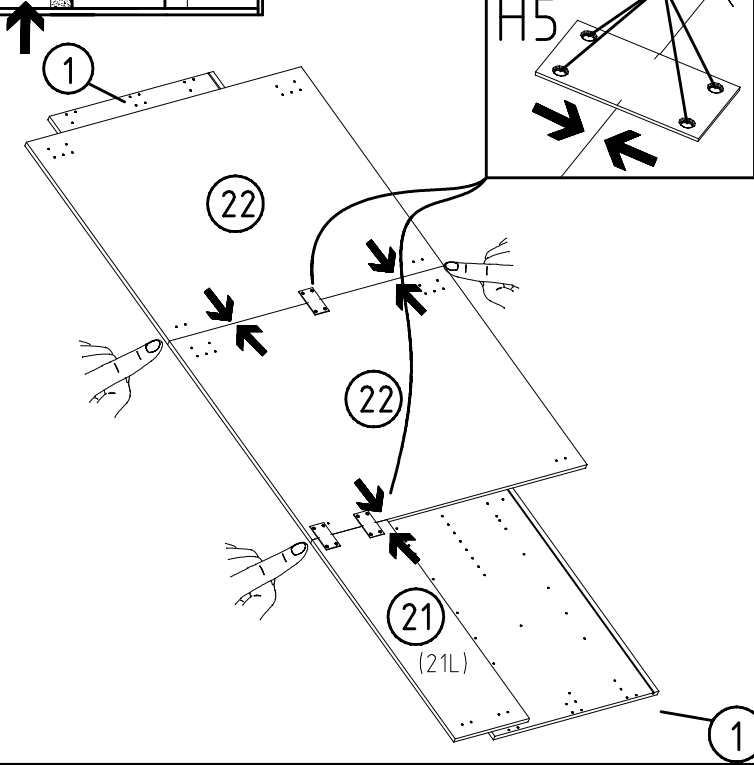
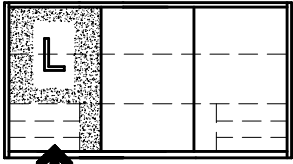


6,3 x 10,5 mm
T2

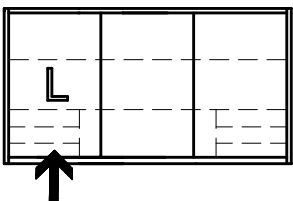
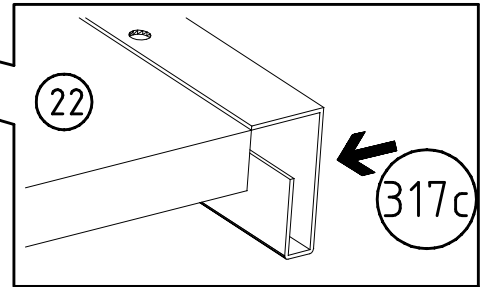
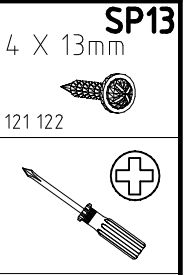
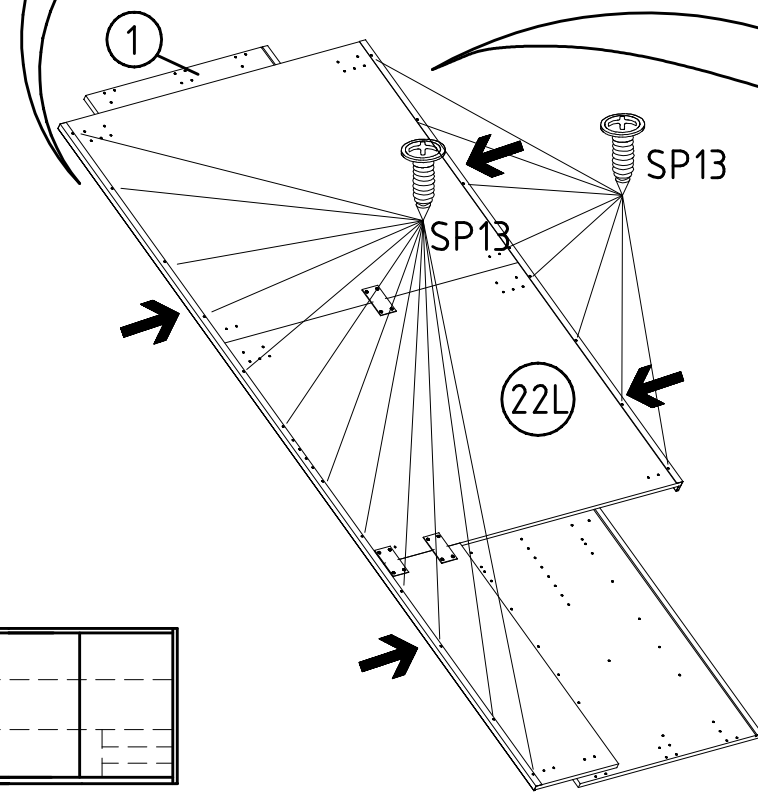
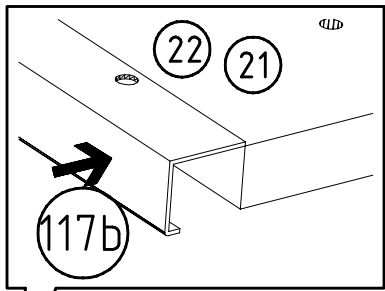
111 030



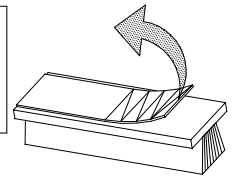
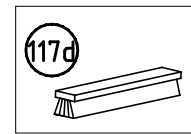
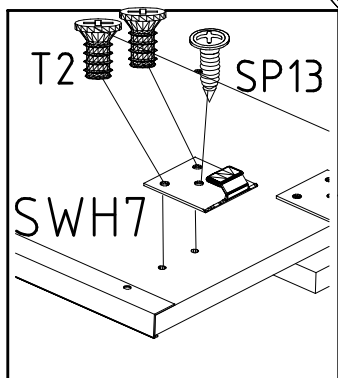
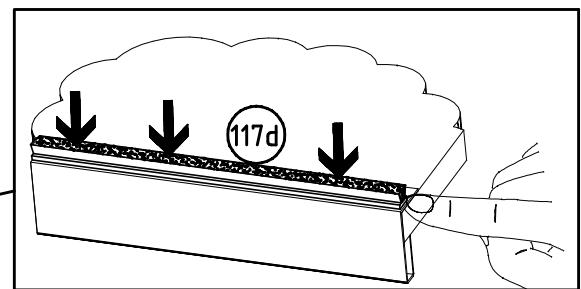
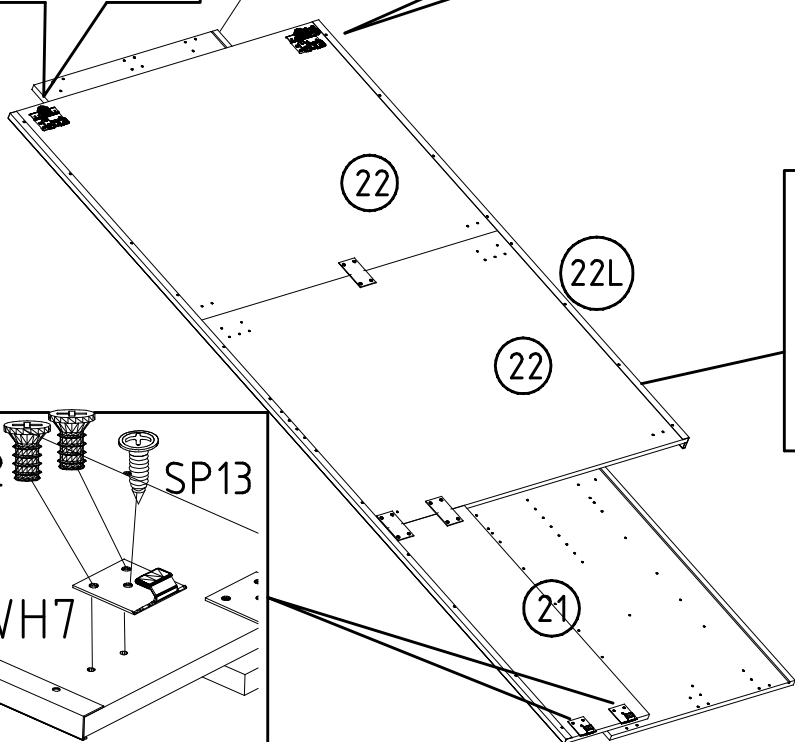
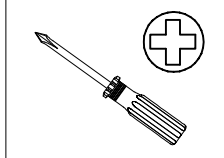
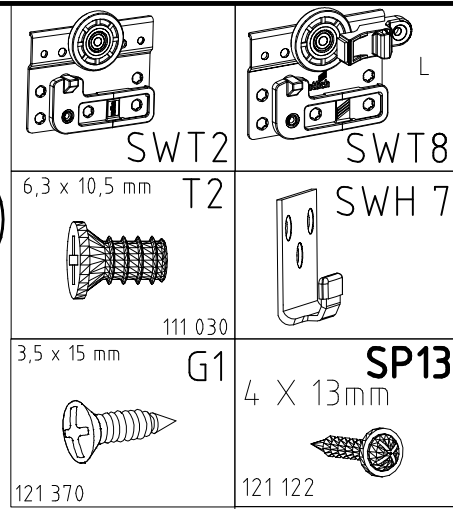
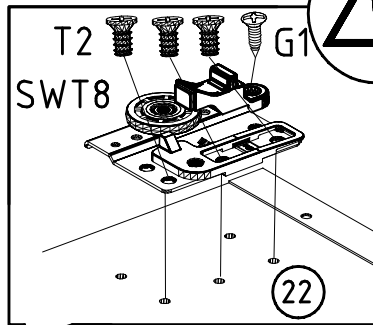
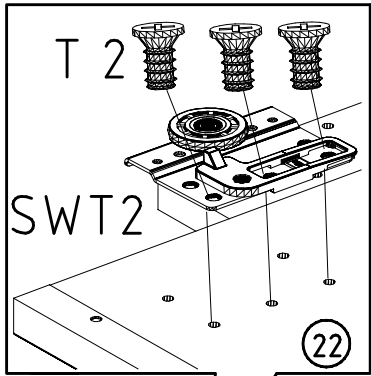
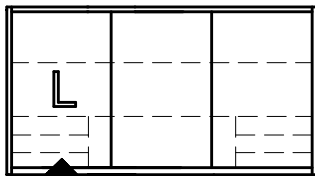
4



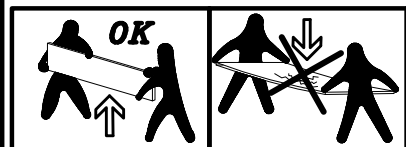
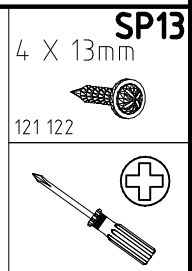
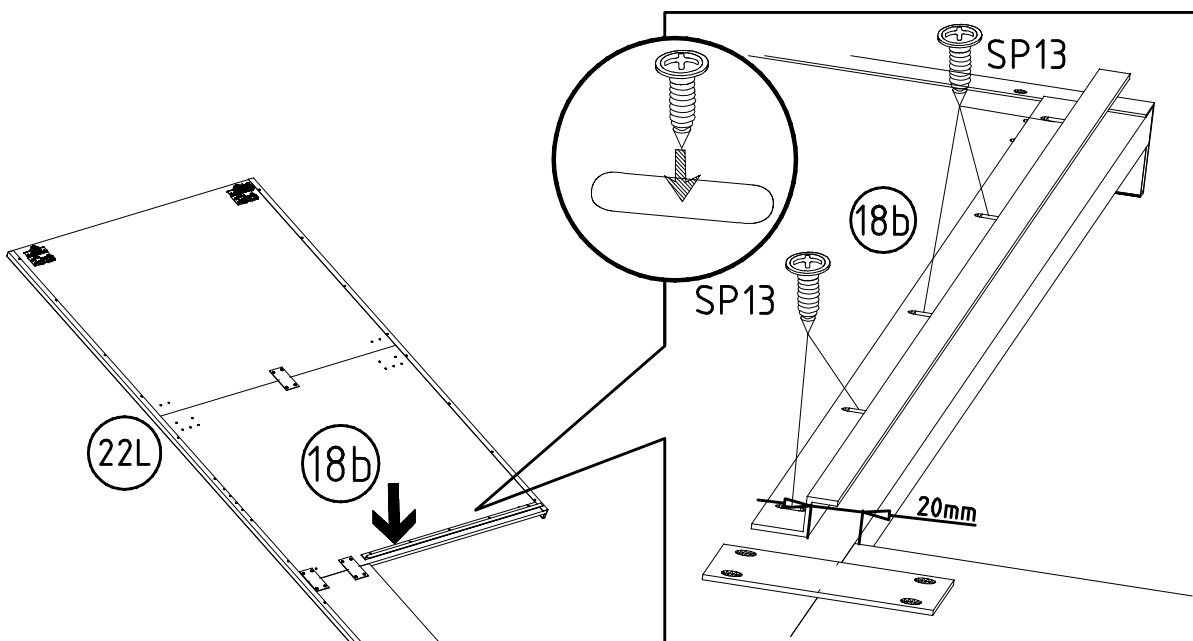
5



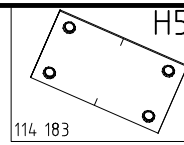
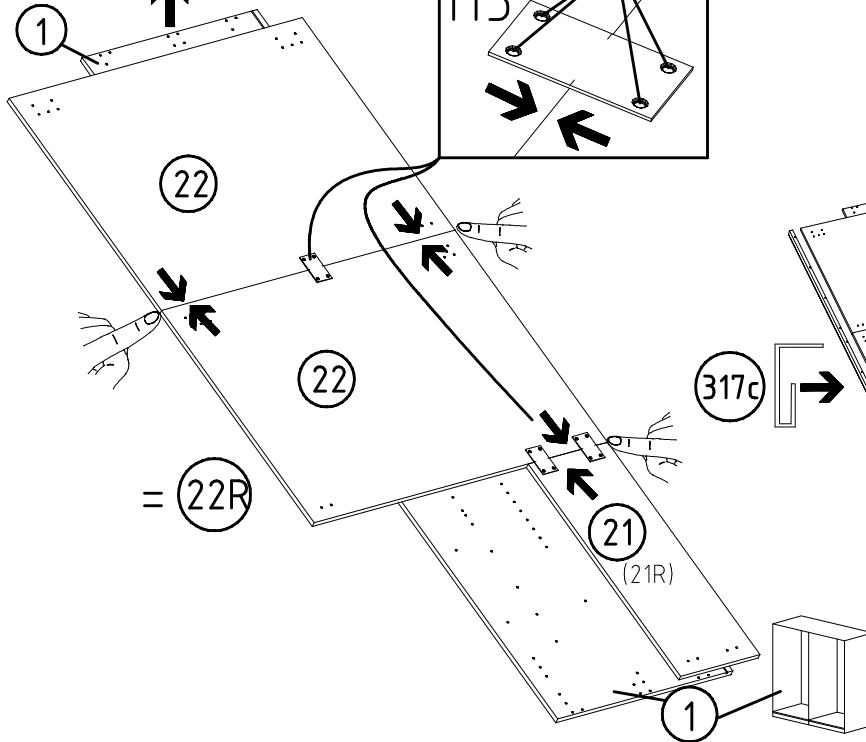
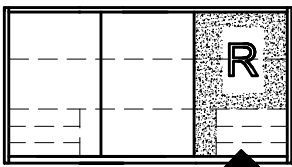
6



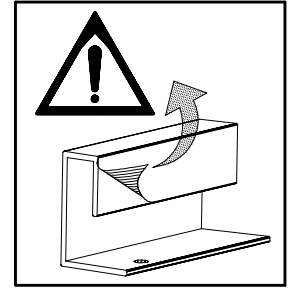
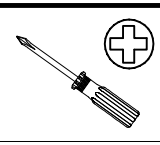
7



8

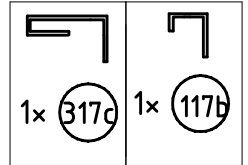


H5
4 X 13mm
SP13
121 122

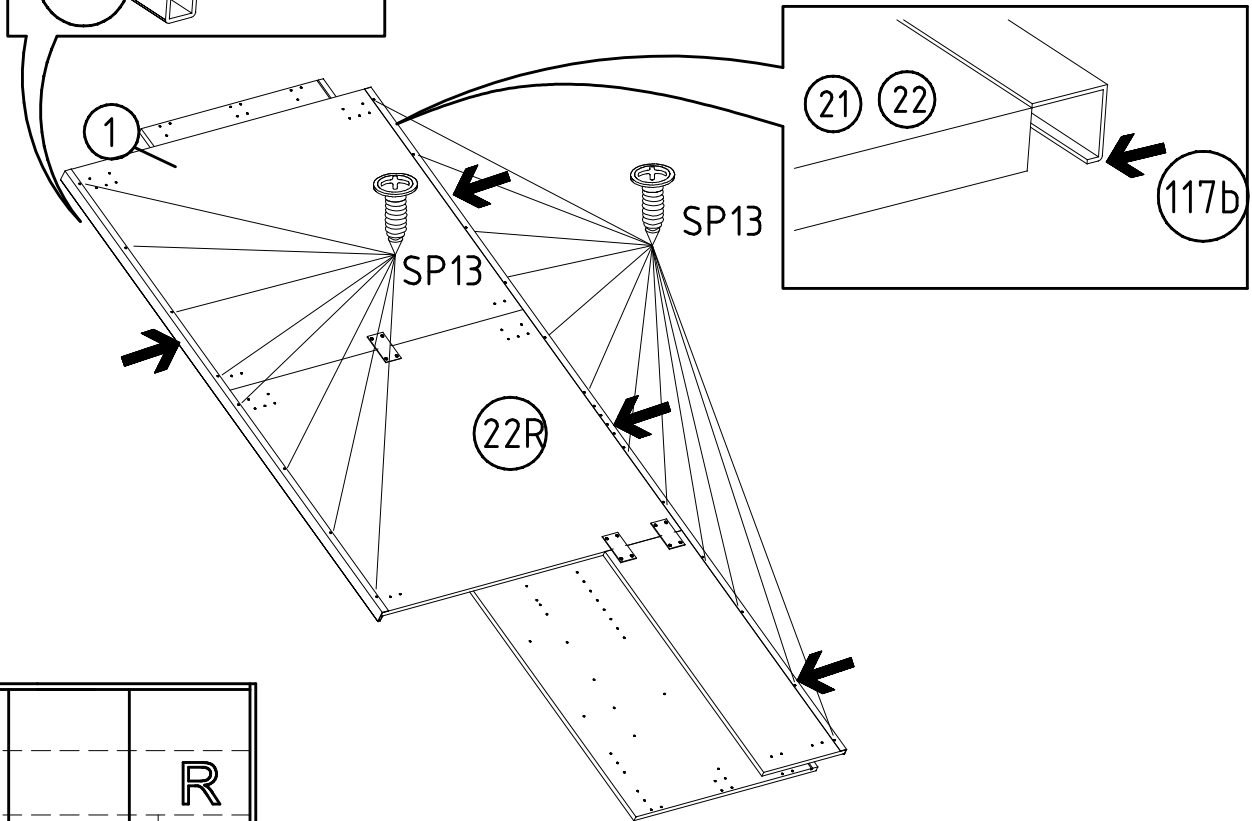
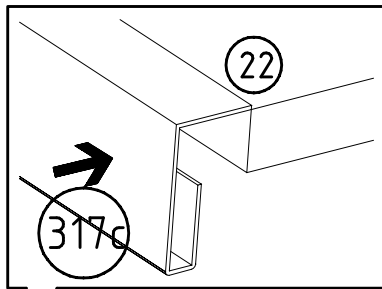


117b

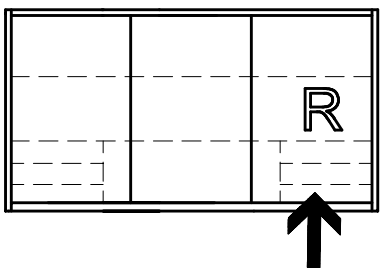
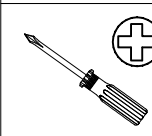
317c



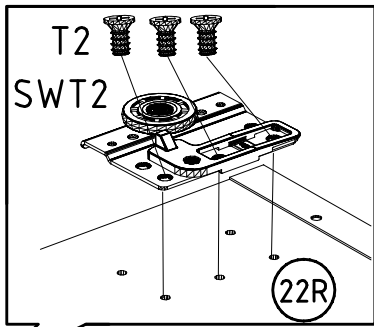
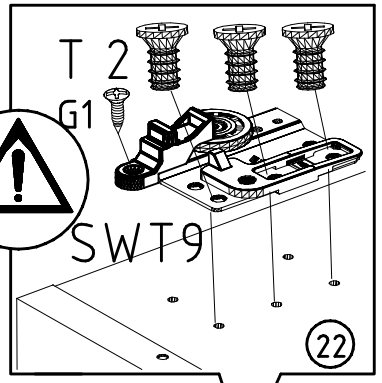
9



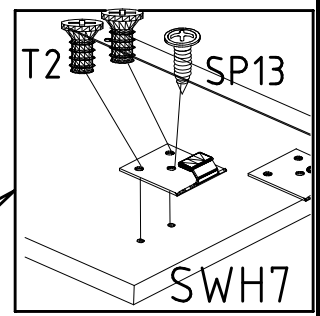
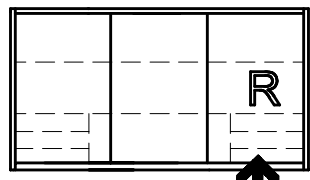
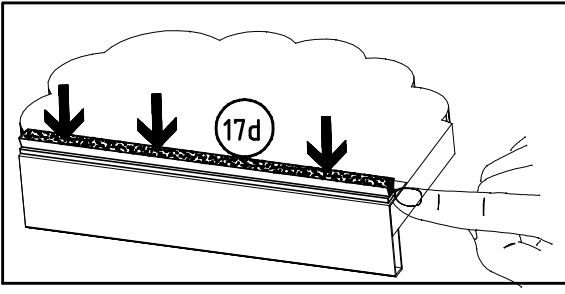
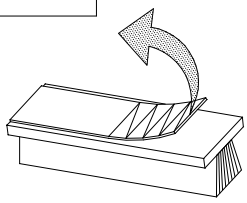
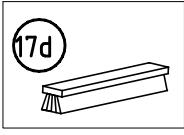
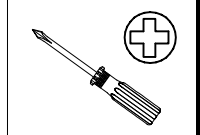
SP13
4 X 13mm



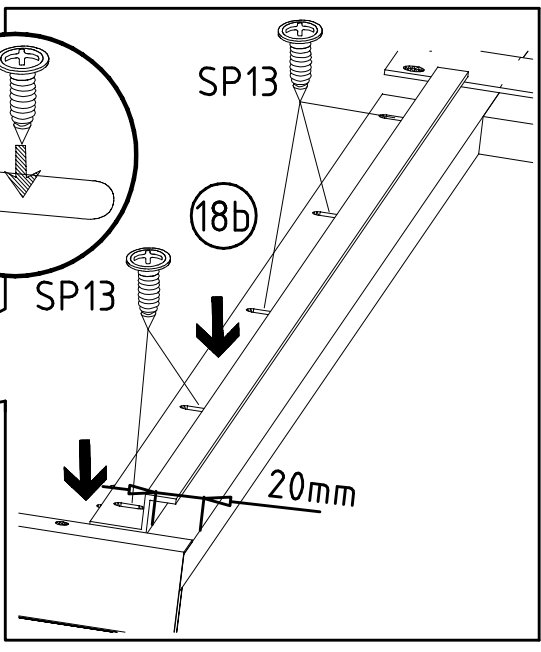
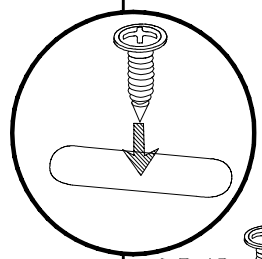
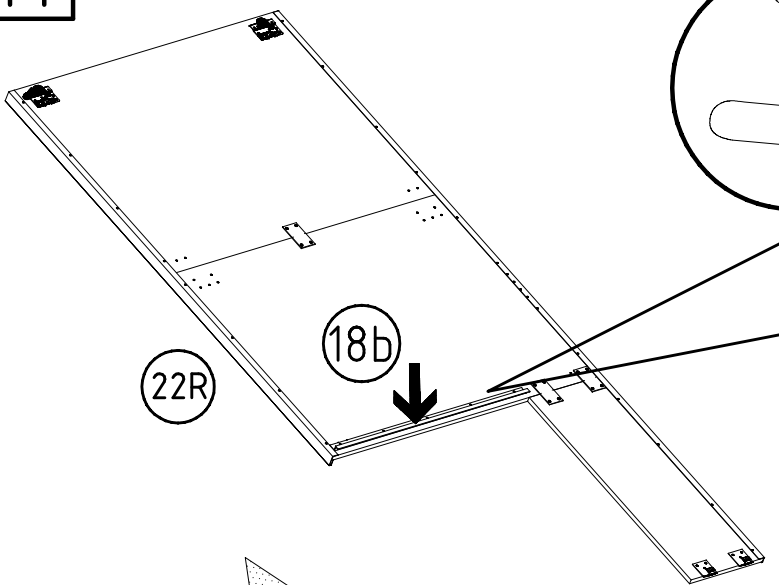
10



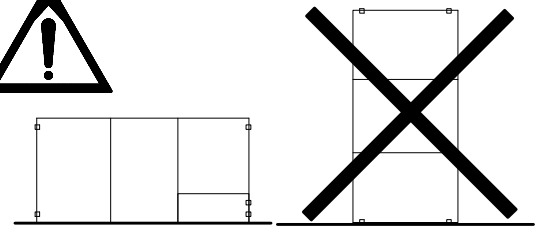
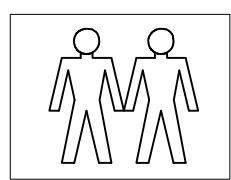
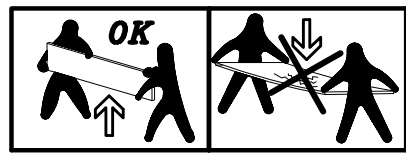
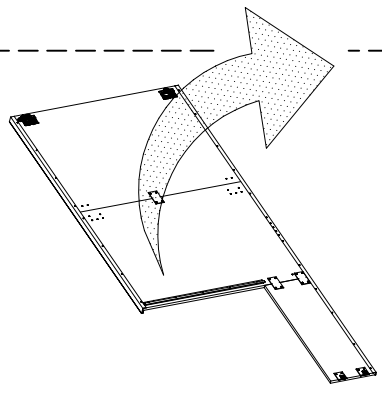
SWT2	SWT8
6,3 x 10,5 mm	T2
111 030	SWH 7
3,5 x 15 mm	G1
121 370	4 X 13mm
	121 122



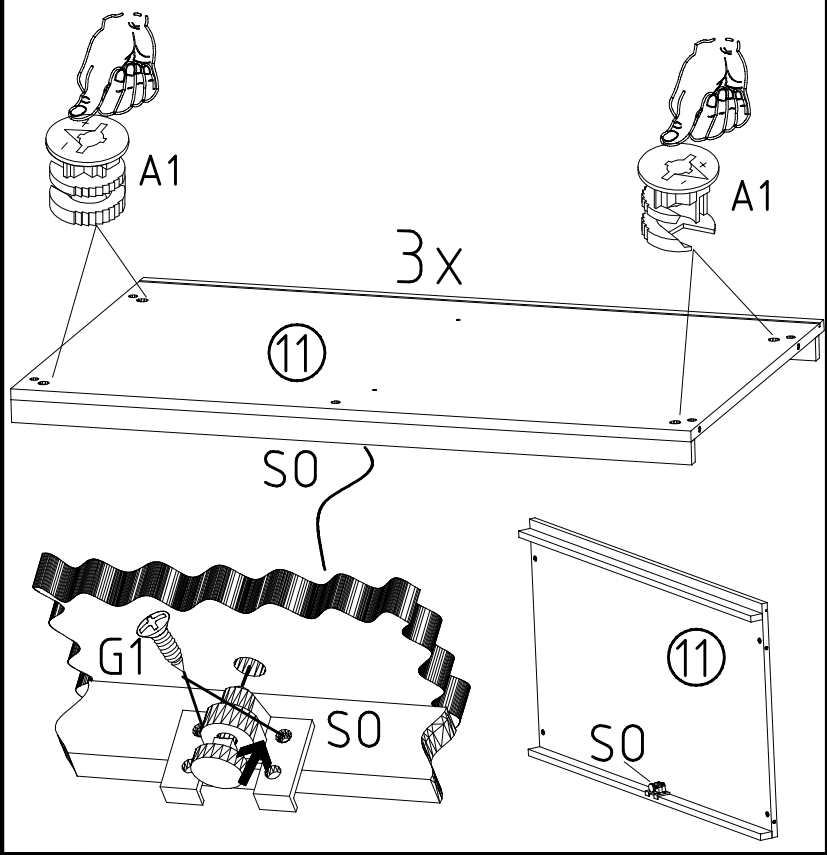
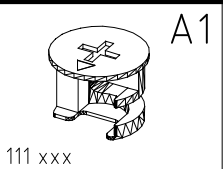
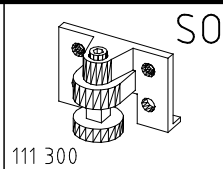
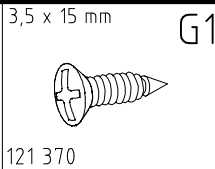
11



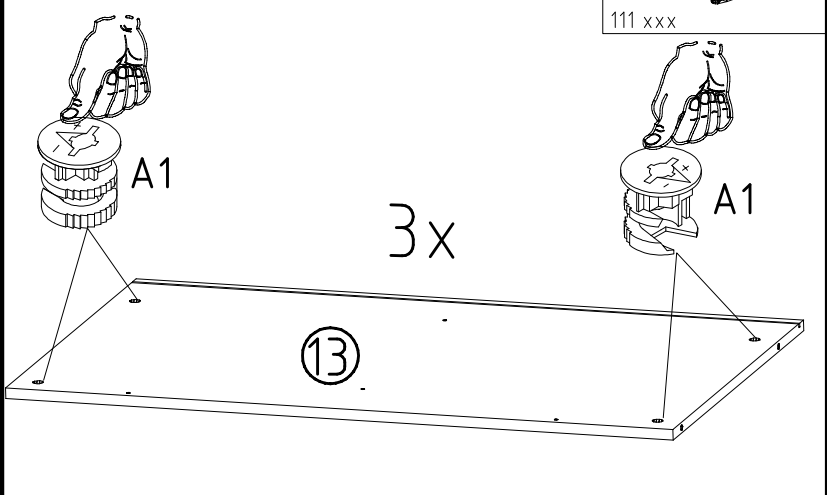
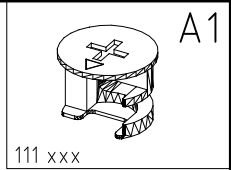
SP13
4 X 13mm
121 122



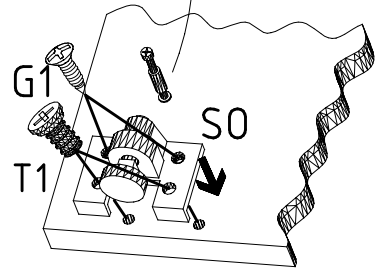
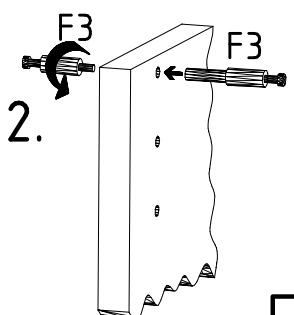
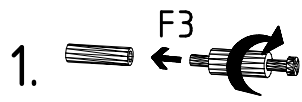
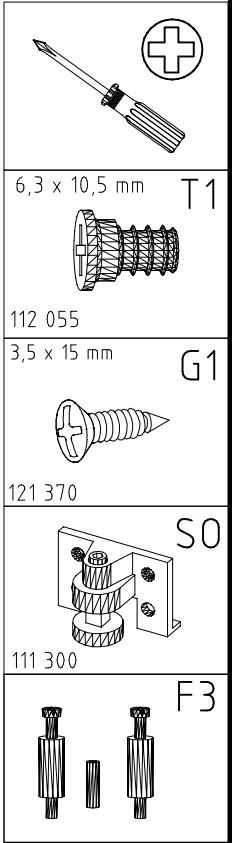
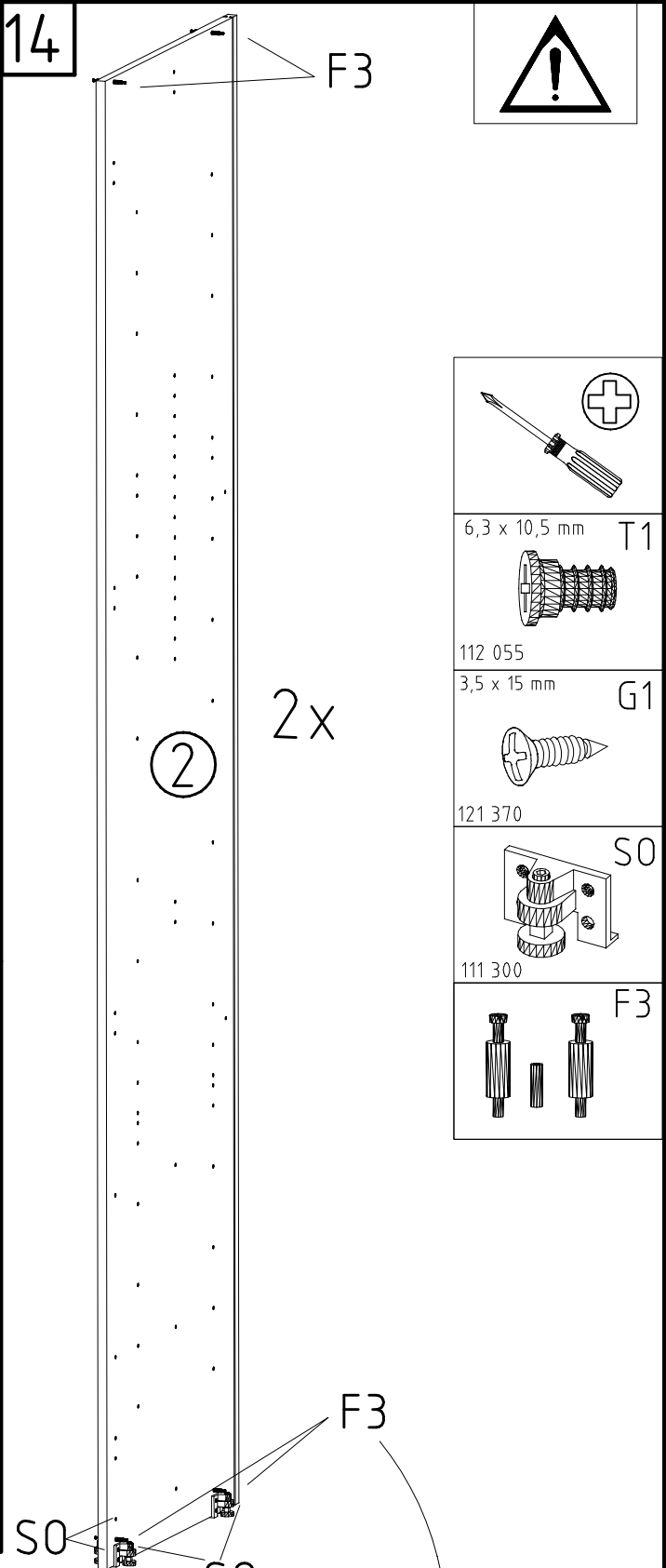
12



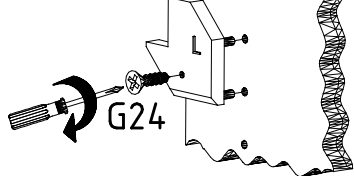
13



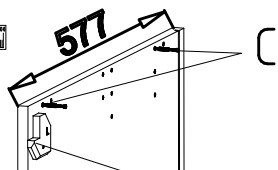
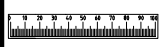
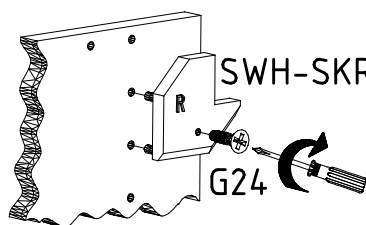
14



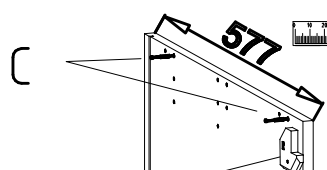
SWH-SKL



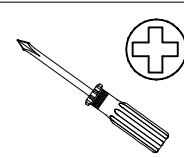
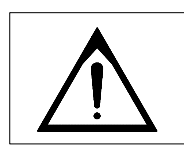
SWH-SKR



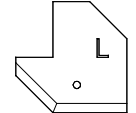
SWH-SKL + G24



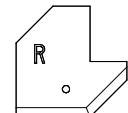
SWH-SKR + G24



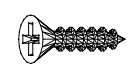
SWH-SKL



SWH-SKR

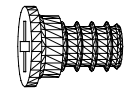


3,5 x 22 mm G24



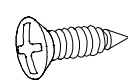
121 004

6,3 x 10,5 mm T1

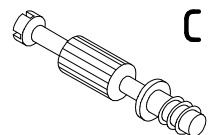


112 055

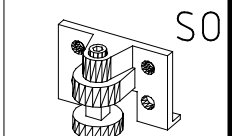
3,5 x 15 mm G1



121 370



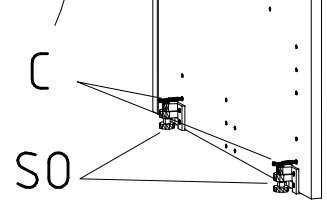
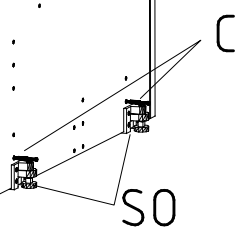
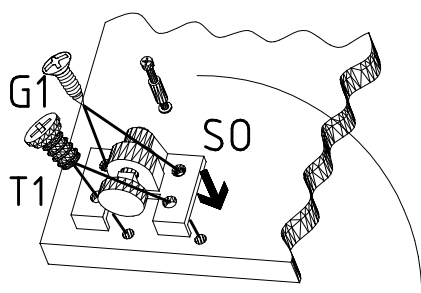
111 103



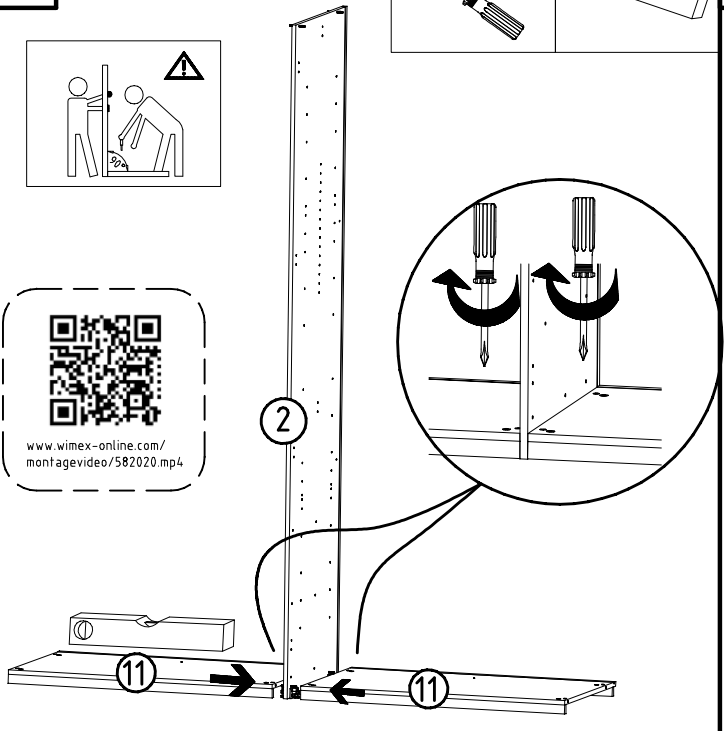
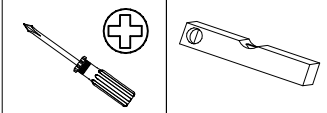
111 300

1

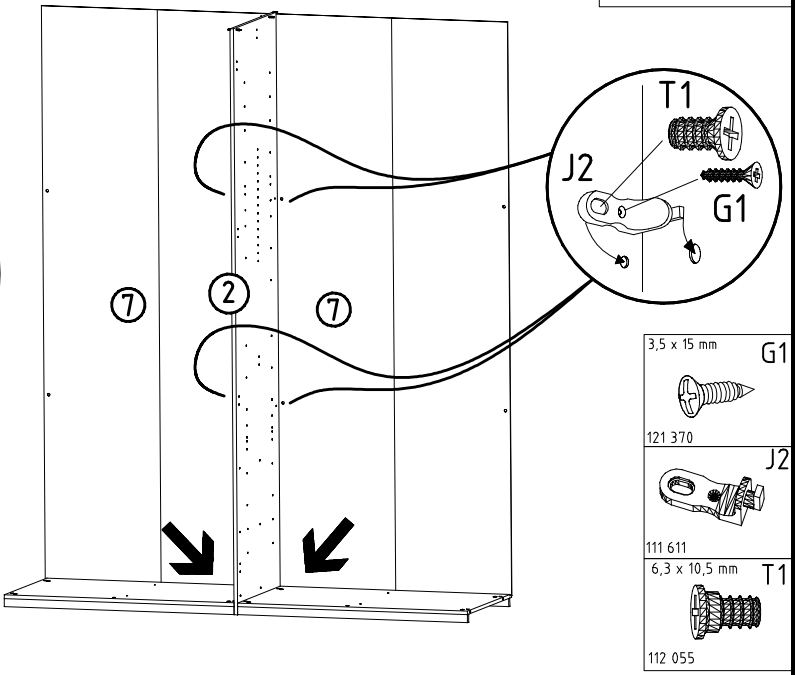
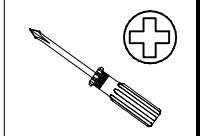
3



16

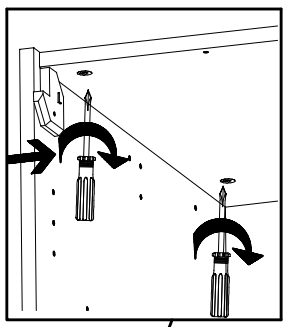


17

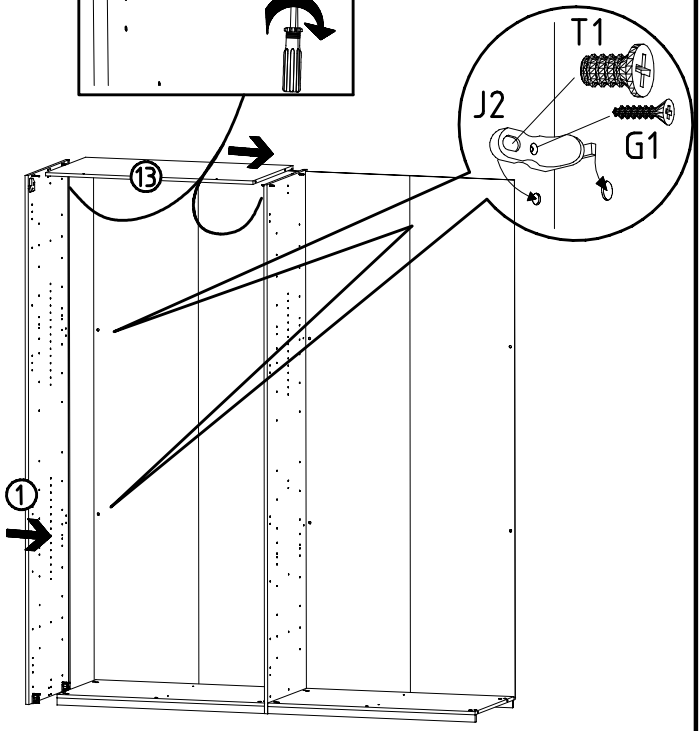


- 3,5 x 15 mm G1
- 121 370
- 111 611
- 6,3 x 10,5 mm T1
- 112 055

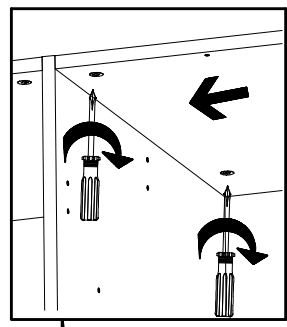
18



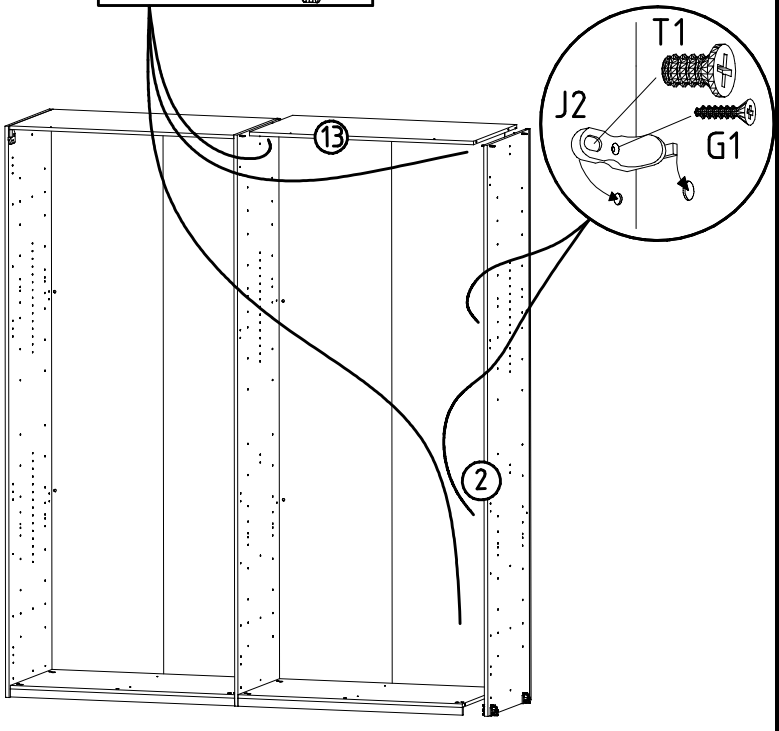
- 3,5 x 15 mm G1
- 121 370
- 6,3 x 10,5 mm T1
- 112 055
- 111 611



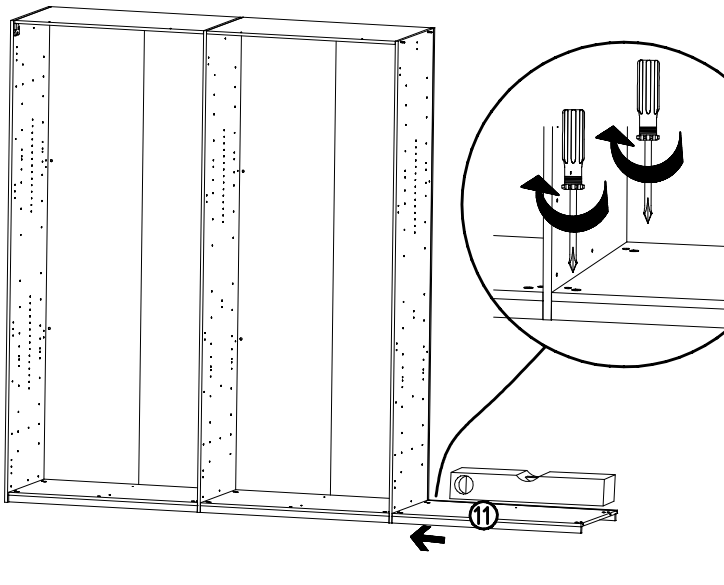
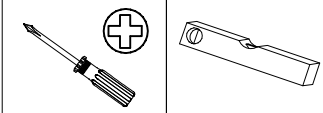
19



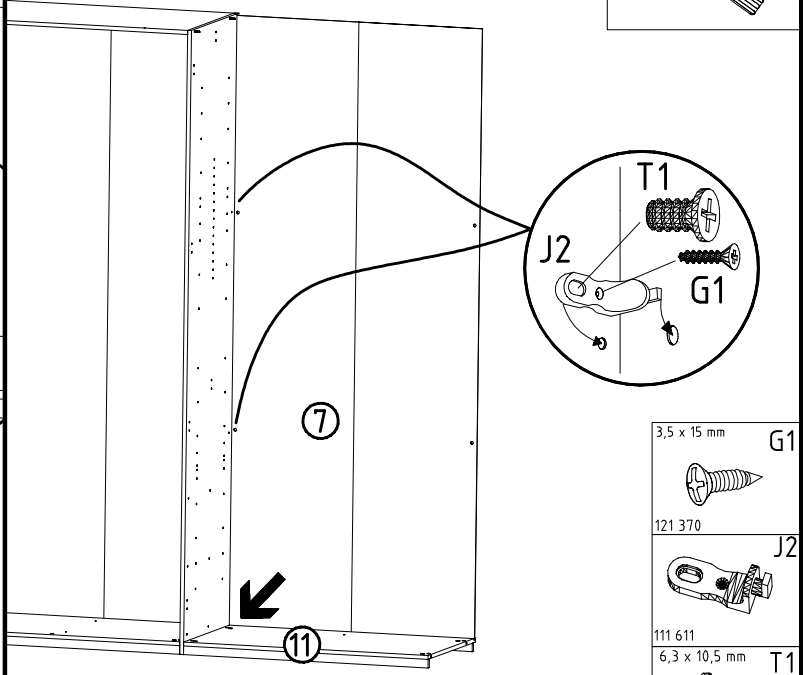
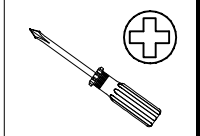
- 3,5 x 15 mm G1
- 121 370
- 6,3 x 10,5 mm T1
- 112 055
- 111 611



20

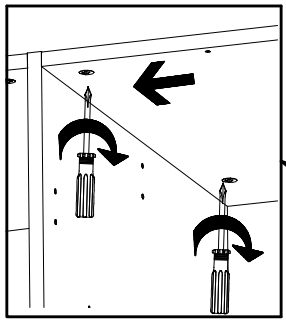


21

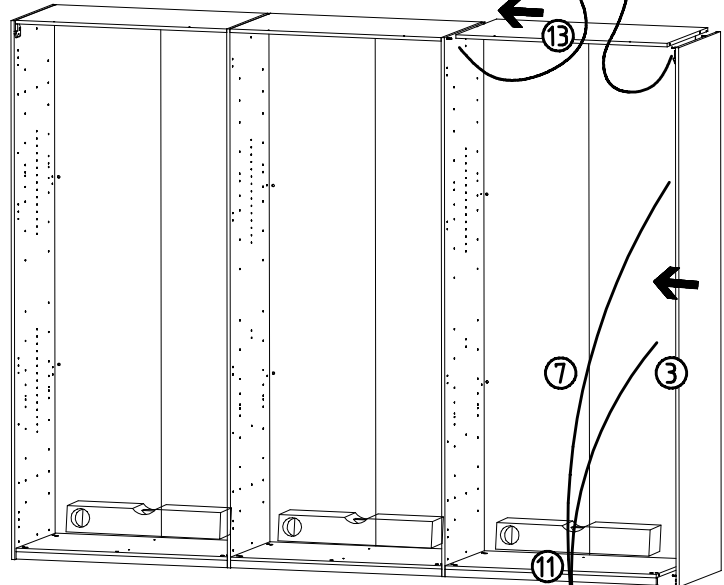


- 3,5 x 15 mm G1
- 121 370 J2
- 111 611 6,3 x 10,5 mm T1
- 112 055

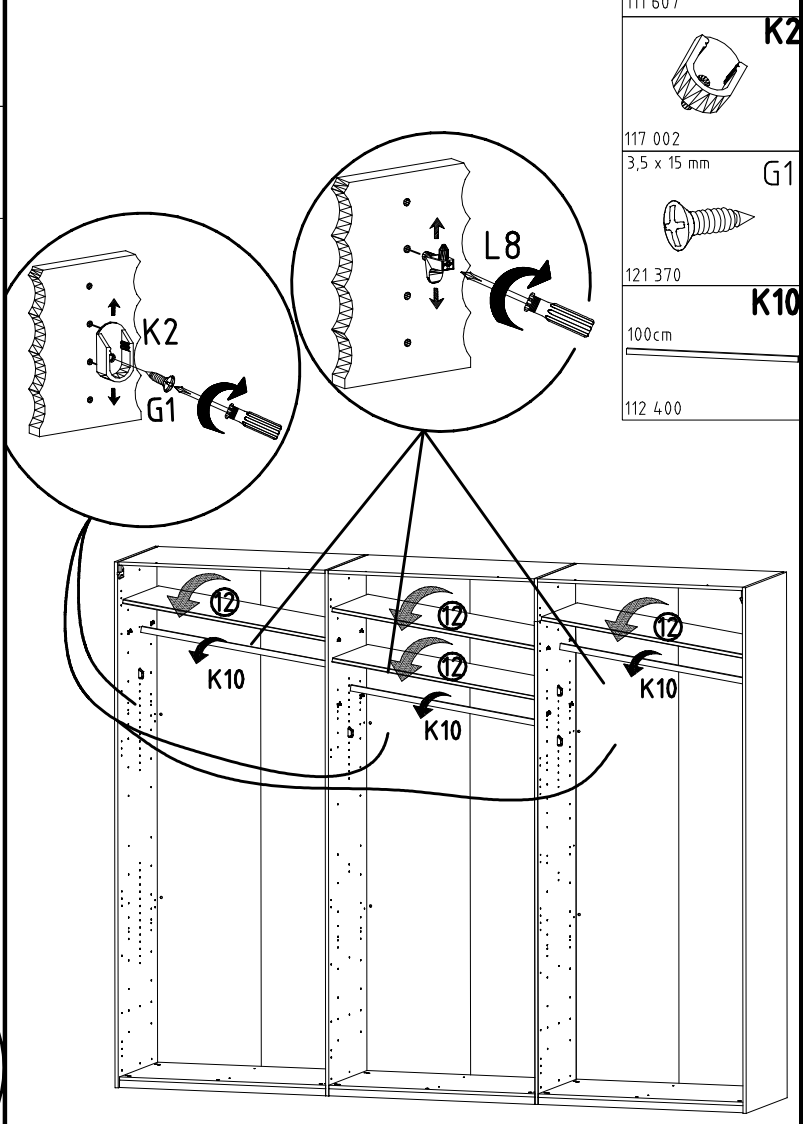
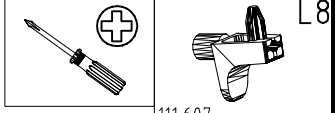
22



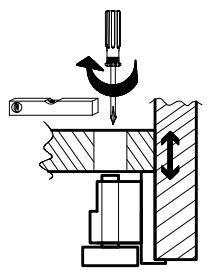
- 3,5 x 15 mm G1
- 121 370 J2
- 111 611 6,3 x 10,5 mm T1
- 112 055



23

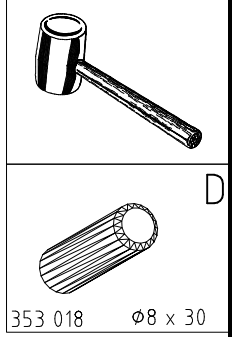
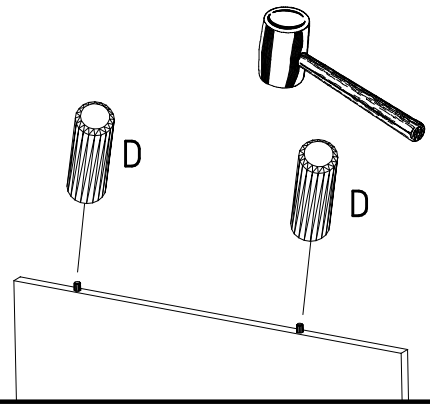
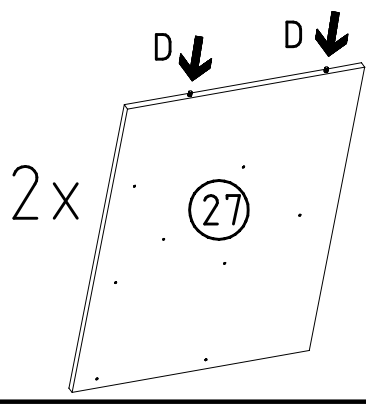


- L8 111 607
- K2 117 002 3,5 x 15 mm G1
- 121 370 K10
- 100cm
- 112 400

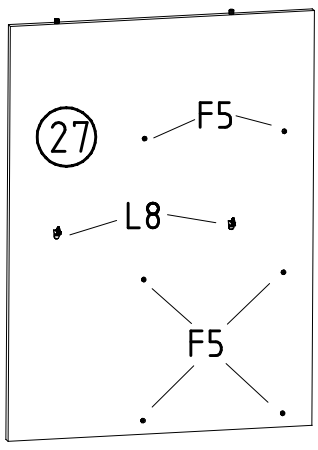


- T1
- J2
- G1

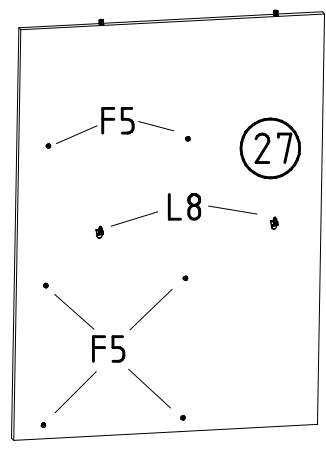
24



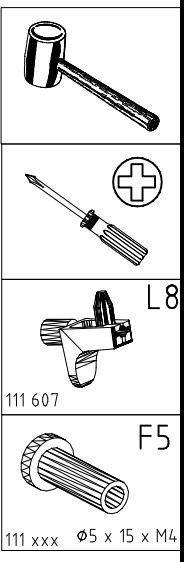
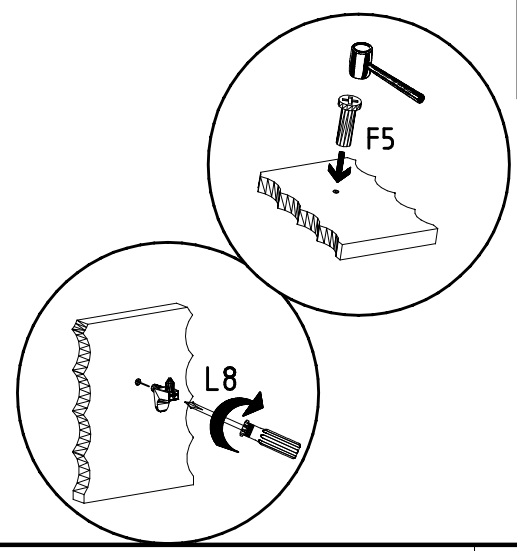
25



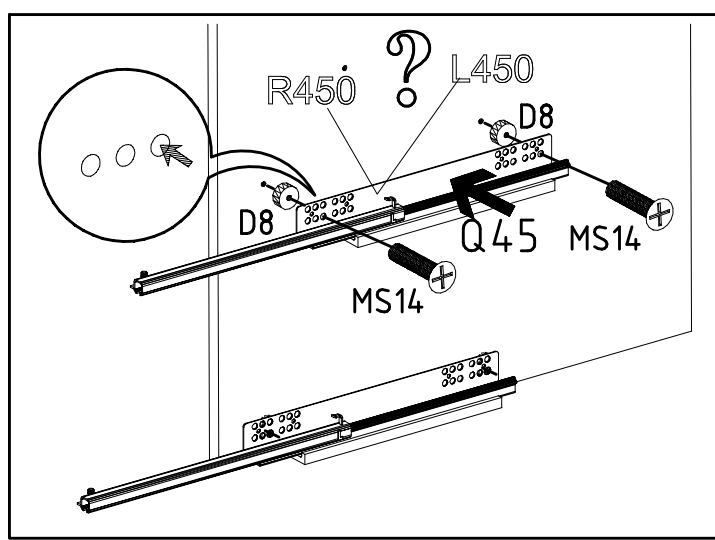
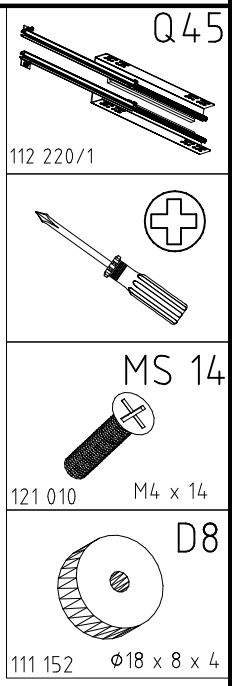
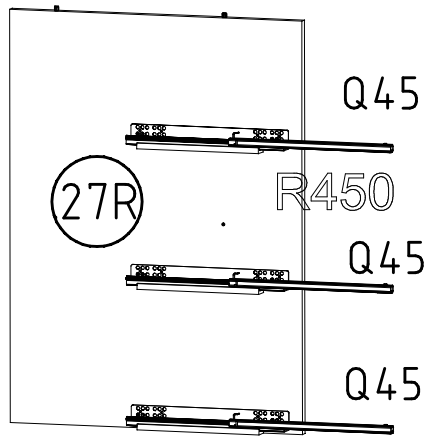
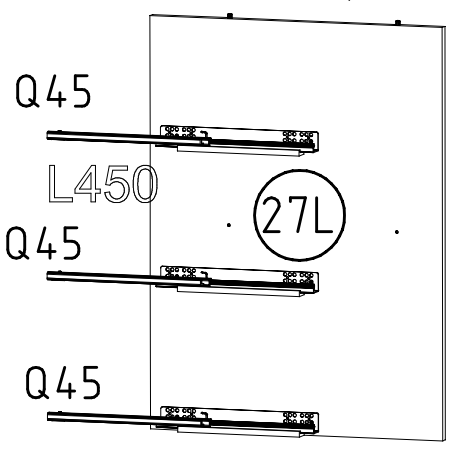
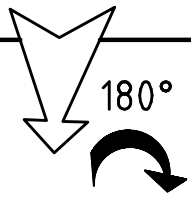
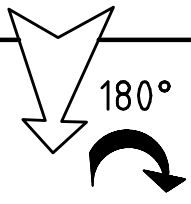
1x =27L



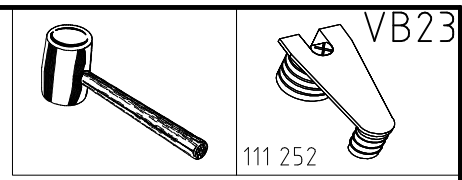
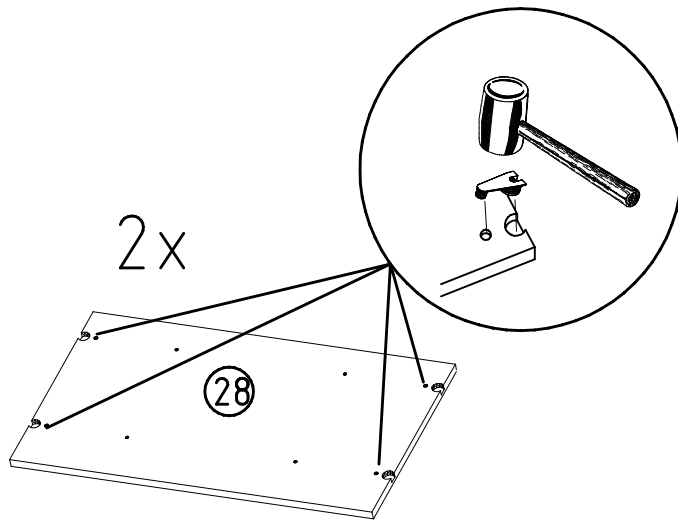
1x =27R



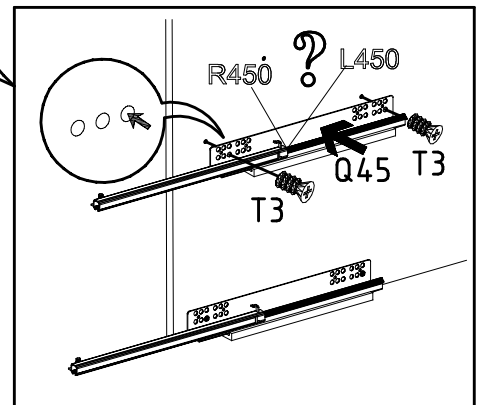
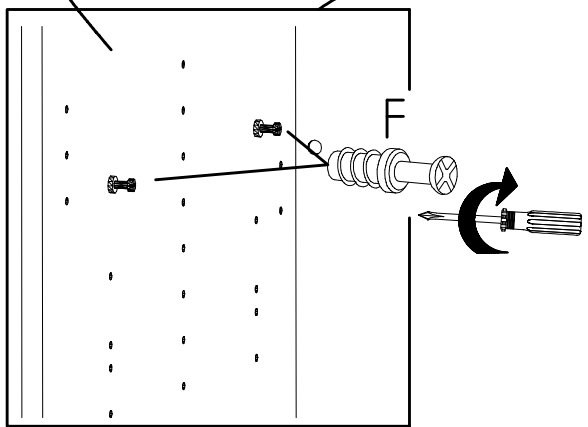
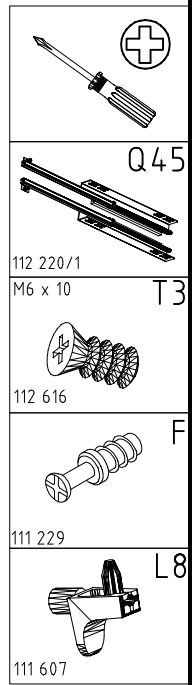
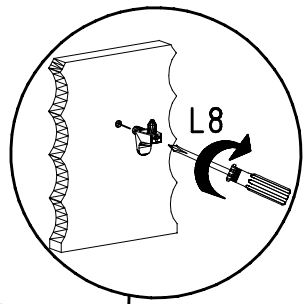
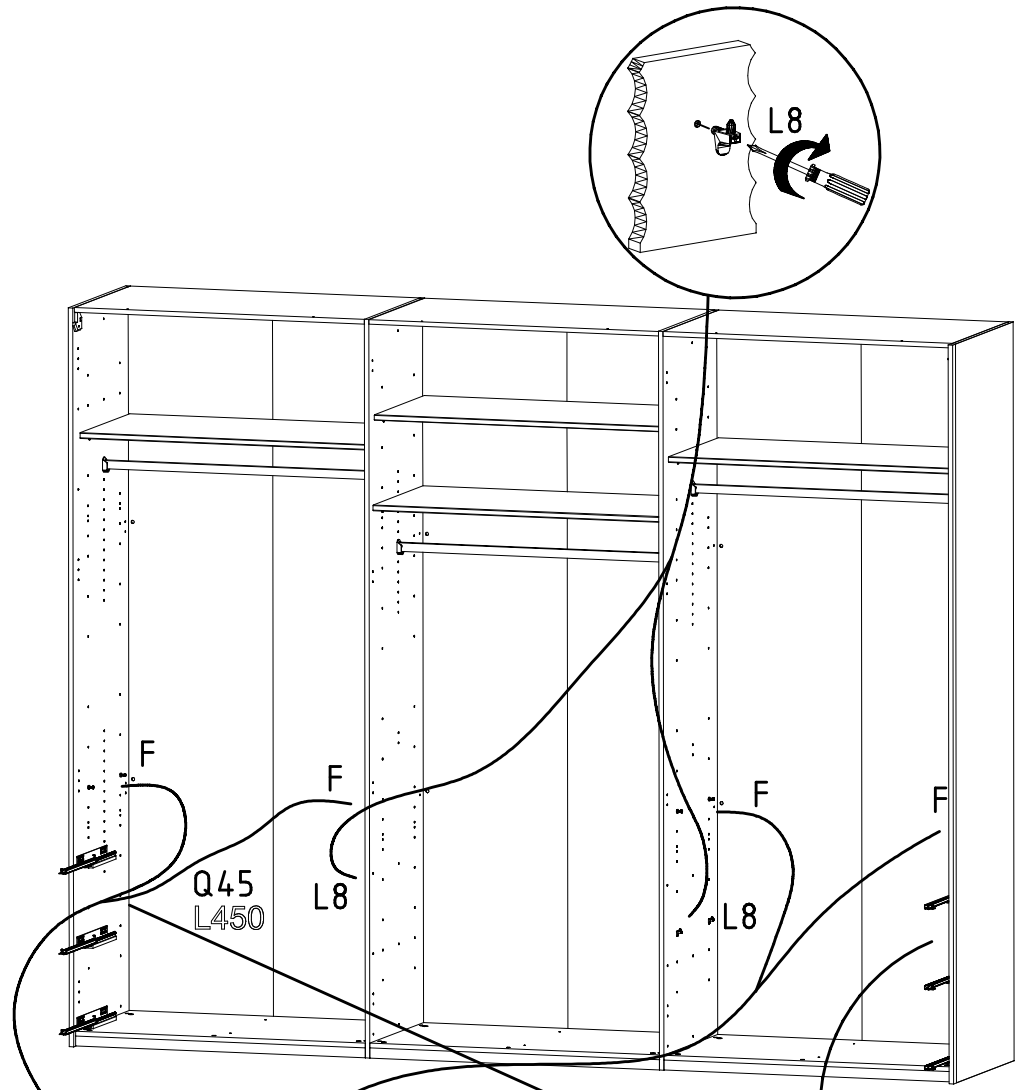
26



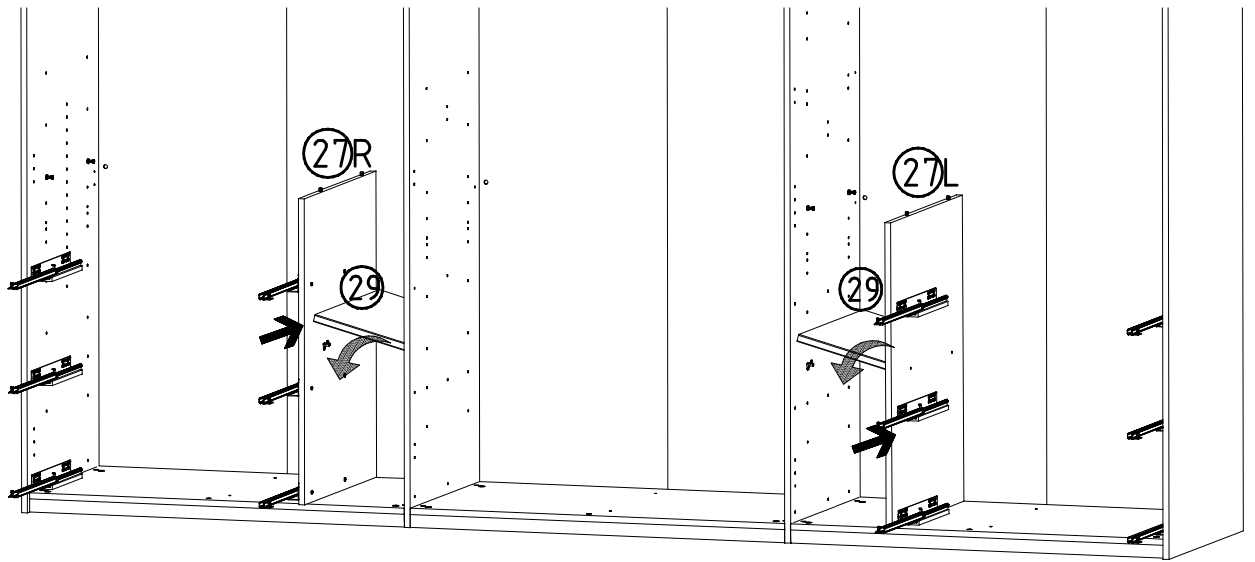
27



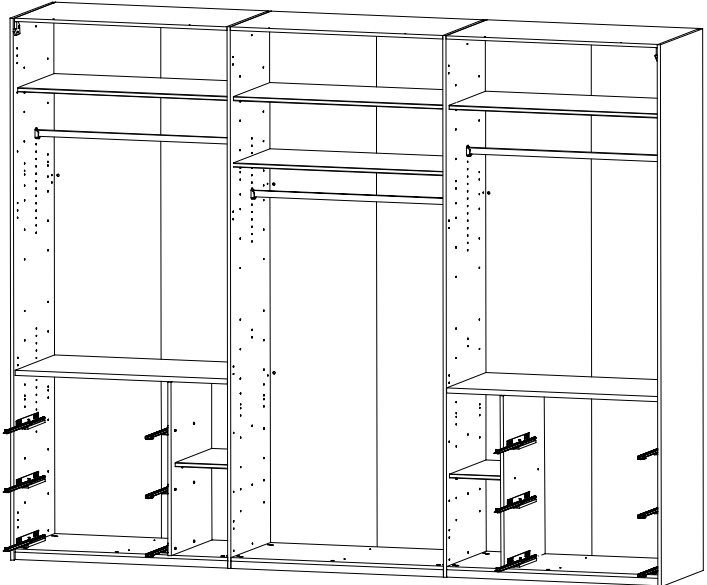
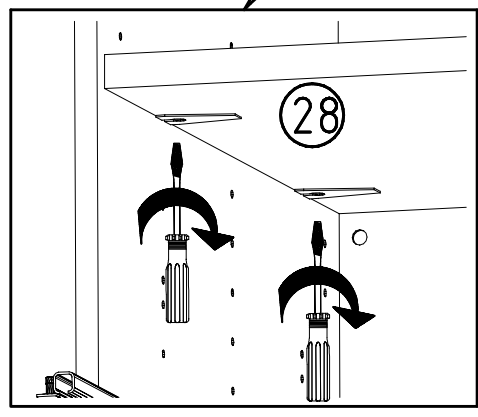
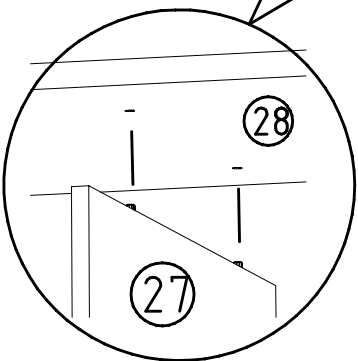
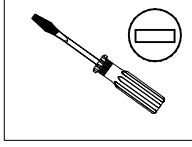
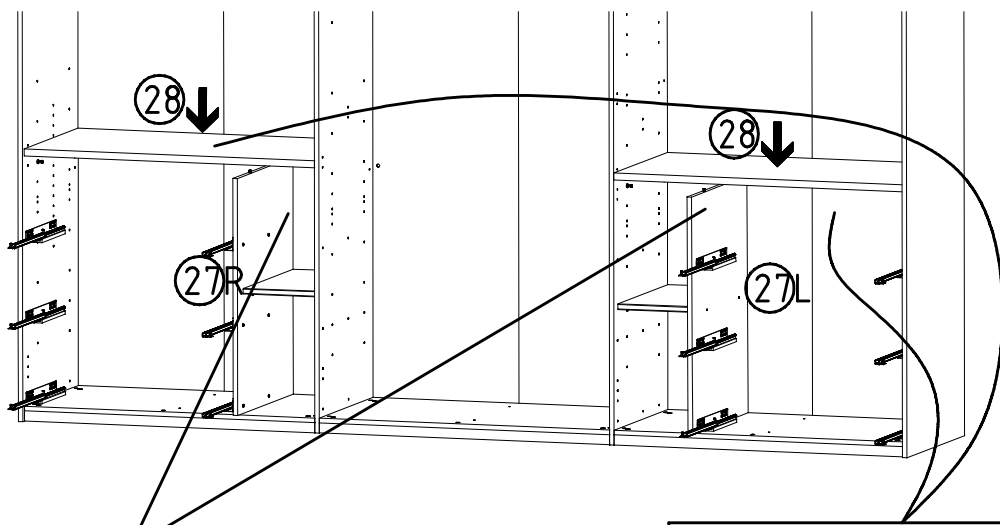
28



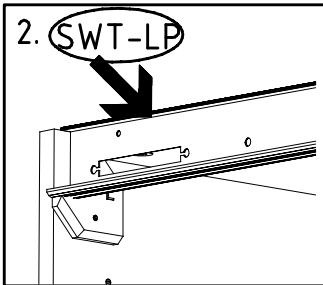
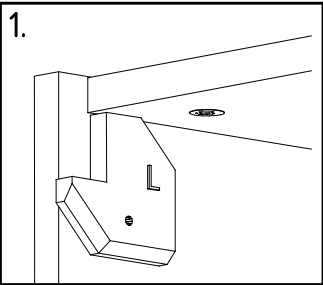
29



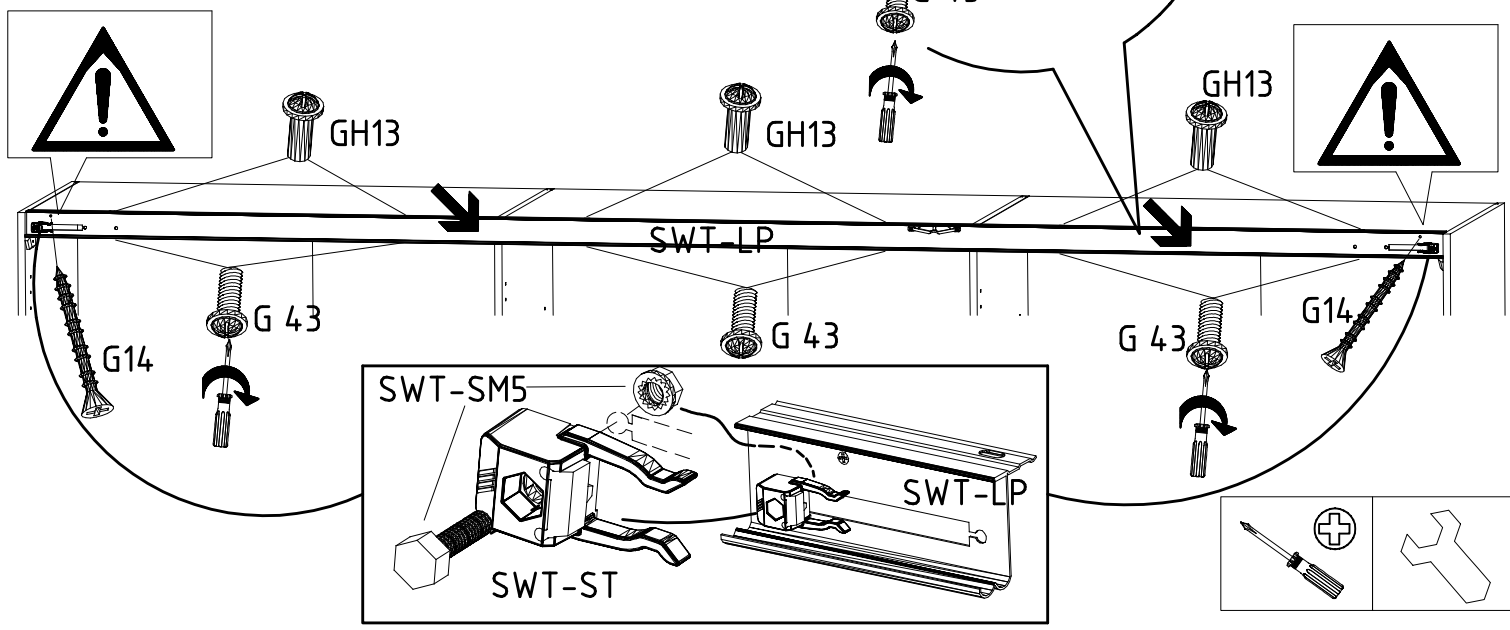
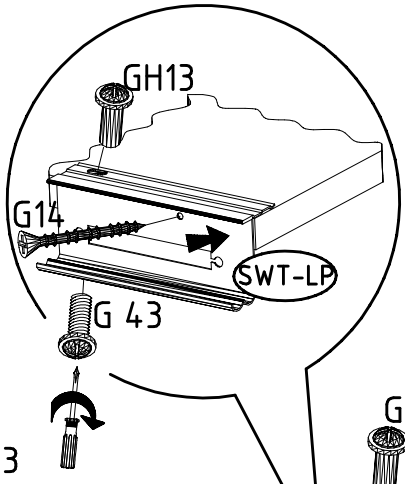
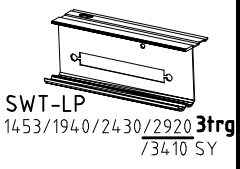
30



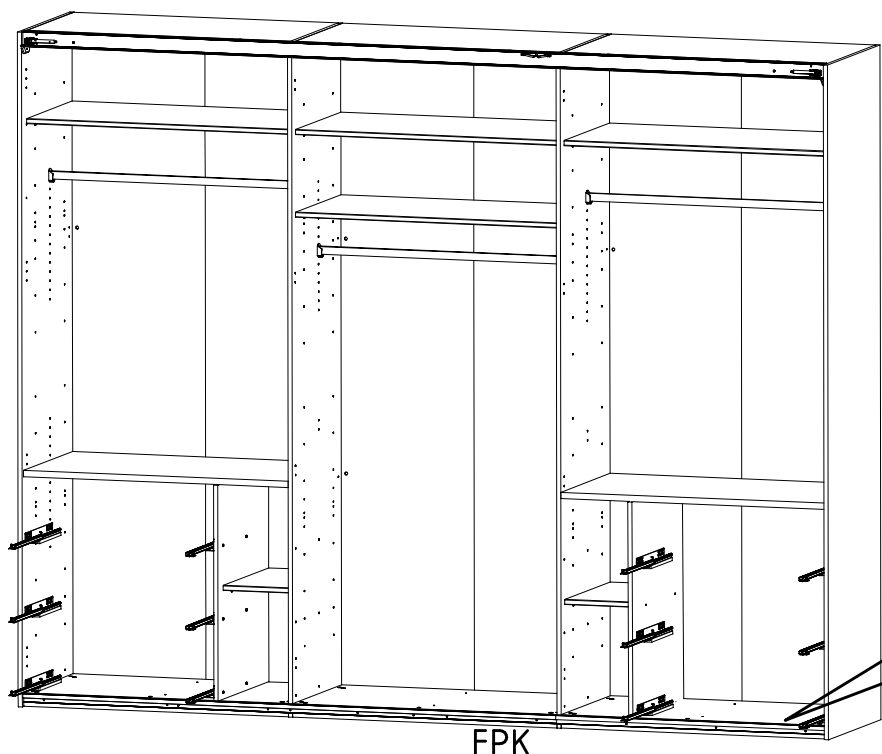
31



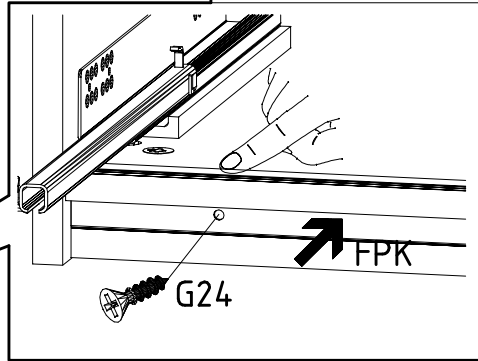
- M4 x 10 mm G43 121 xxx
- M4 x 13 mm GH13 121 xxx
- 3,5 x 35 mm G14 121 375
- SWT-ST
- SWT-SM5



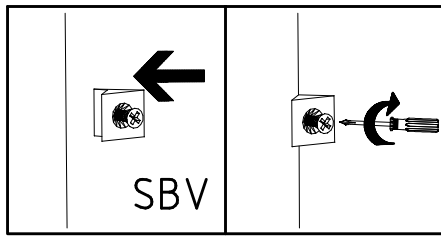
32



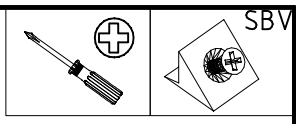
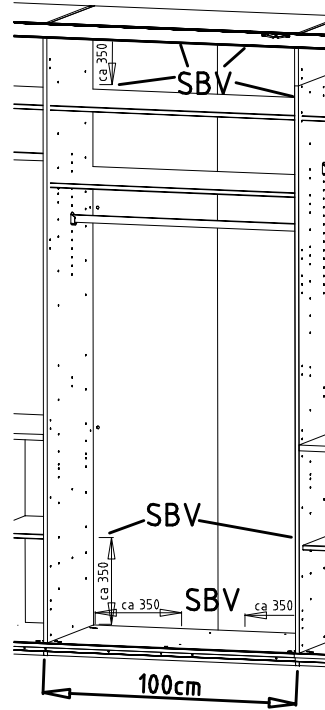
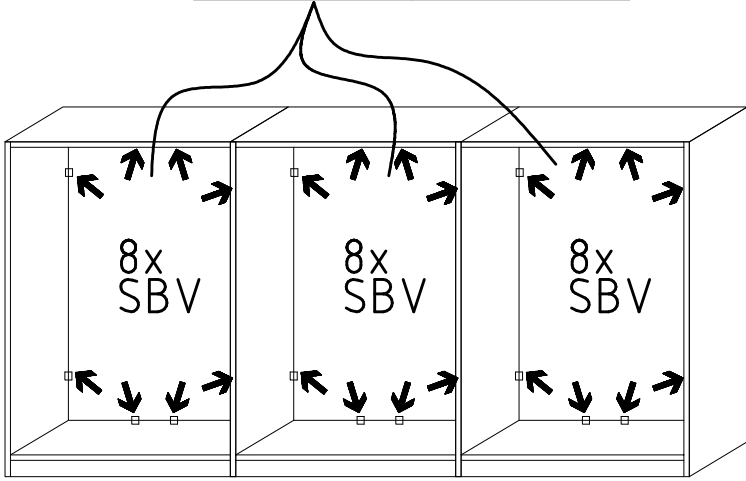
- FPK 1453/1940/2430/2920/3408
- 3,5 x 22 mm G24 121 004



33

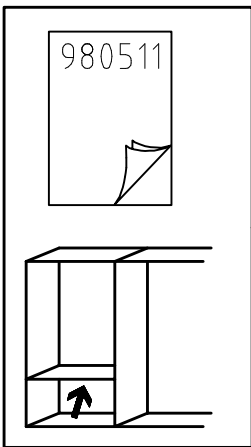


SBV

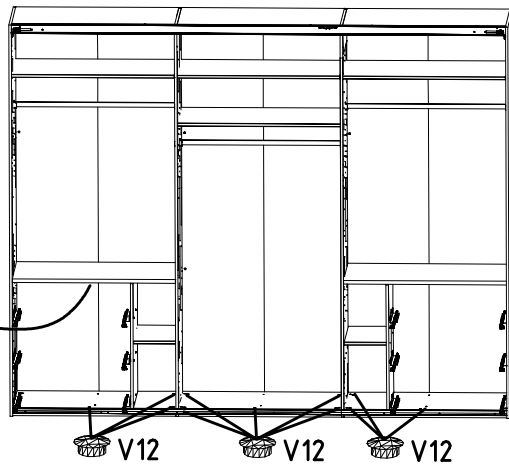


SBV

34



980511



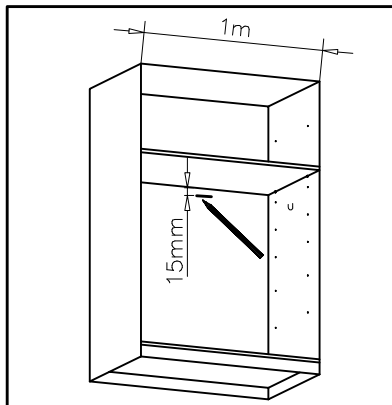
V12 V12 V12



V12

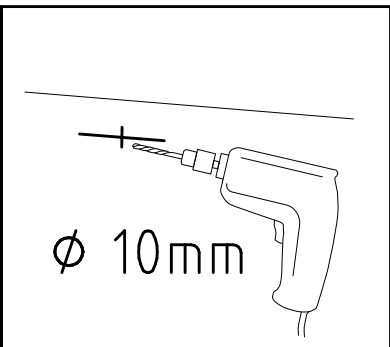
Ø12

35

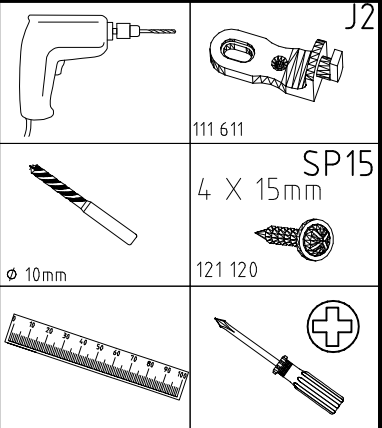


1m

15mm



Ø 10mm



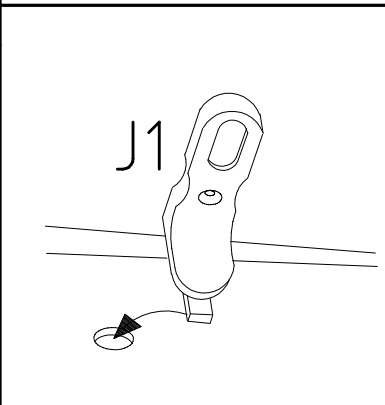
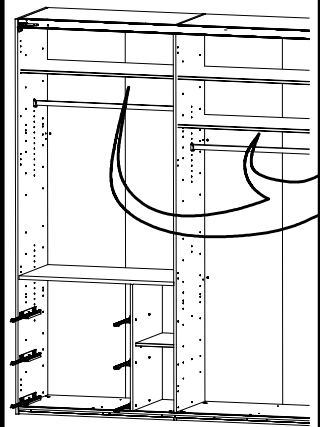
J2

111 611

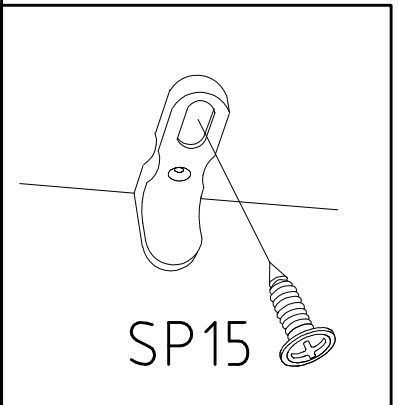
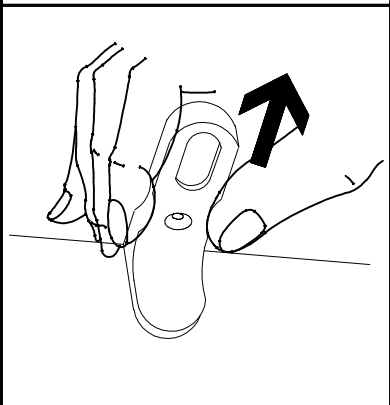
SP15
4 X 15mm

121 120

Ø 10mm



J1



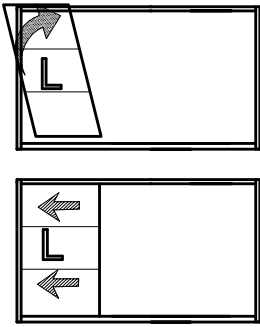
SP15

980792

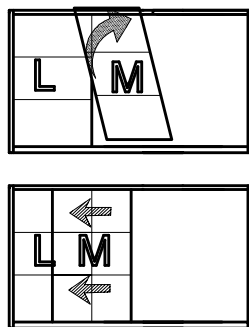
19.05.17 / -

05 17 | 18/24

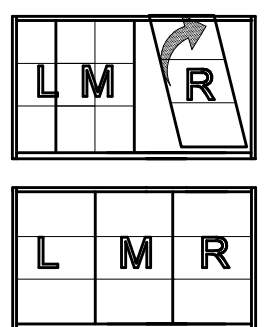
36



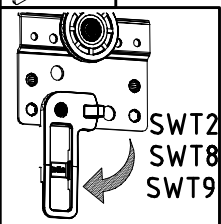
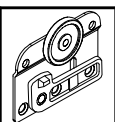
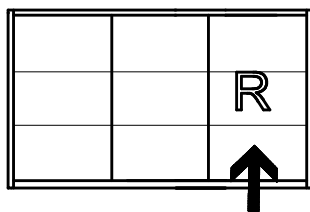
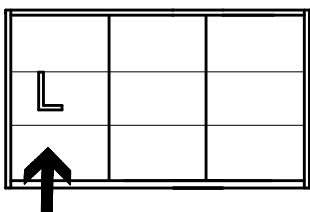
37



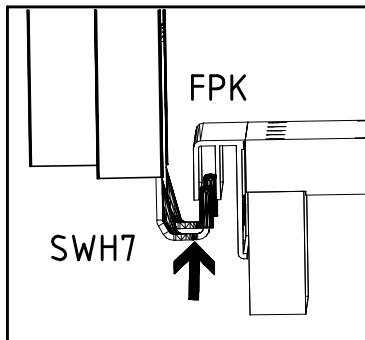
38



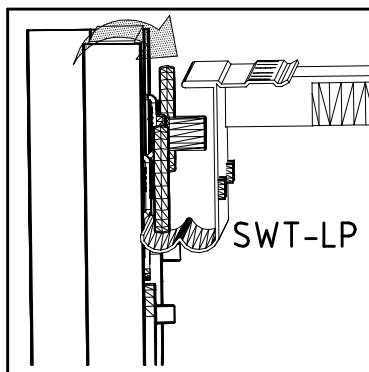
36 + 38



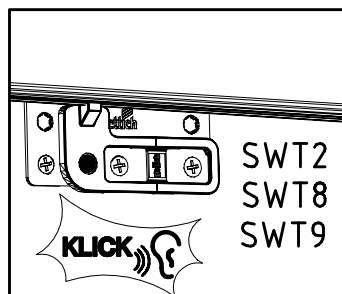
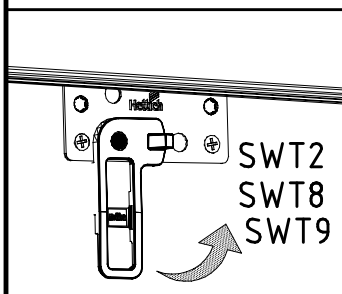
I.



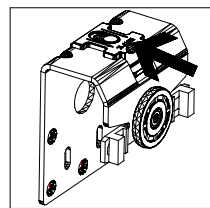
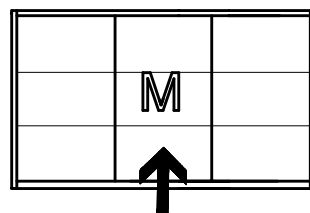
II.



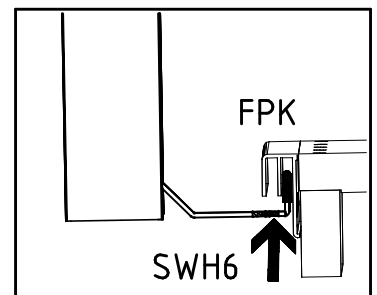
III.



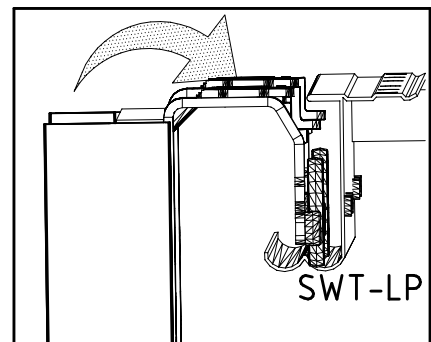
37



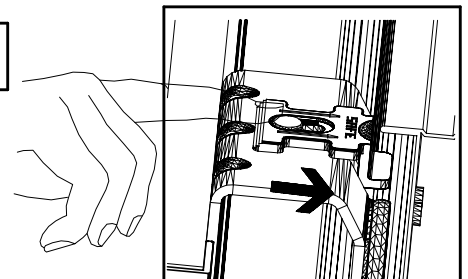
I.



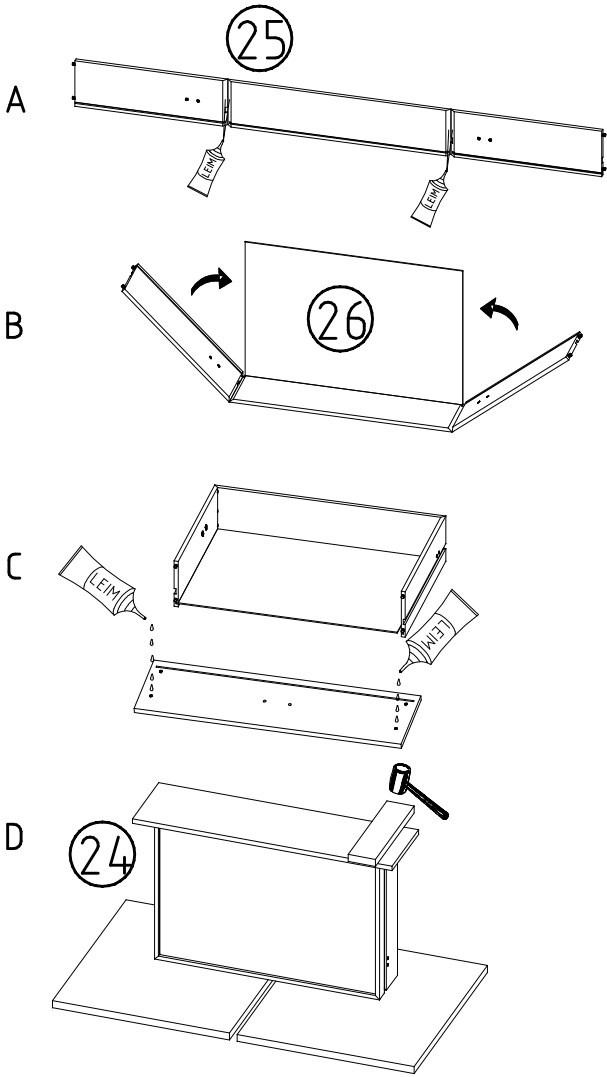
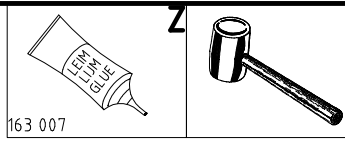
II.



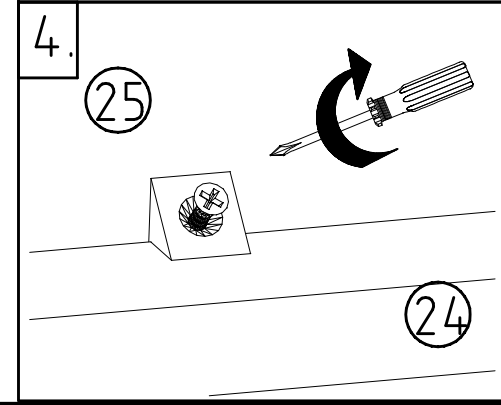
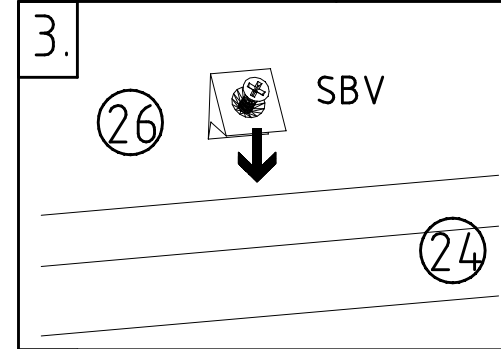
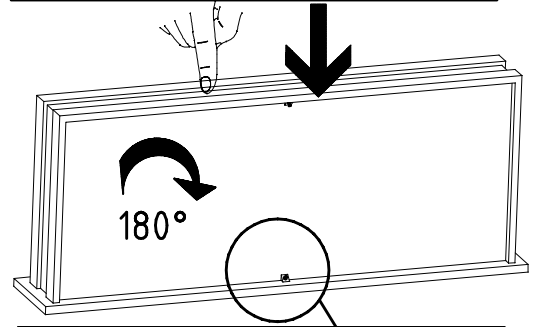
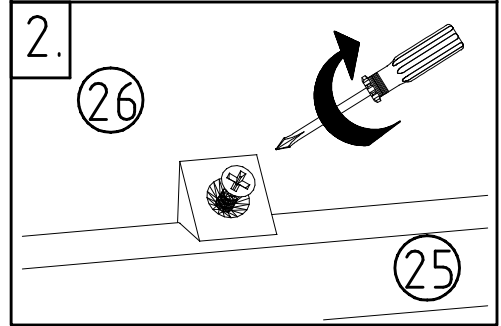
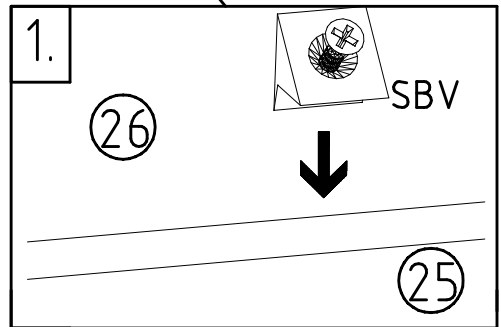
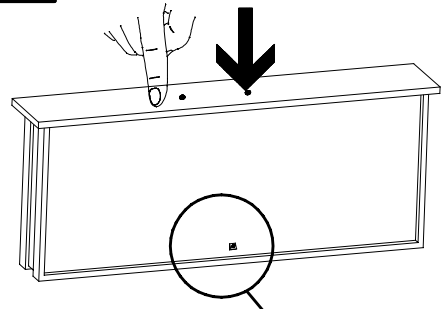
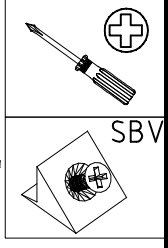
III.



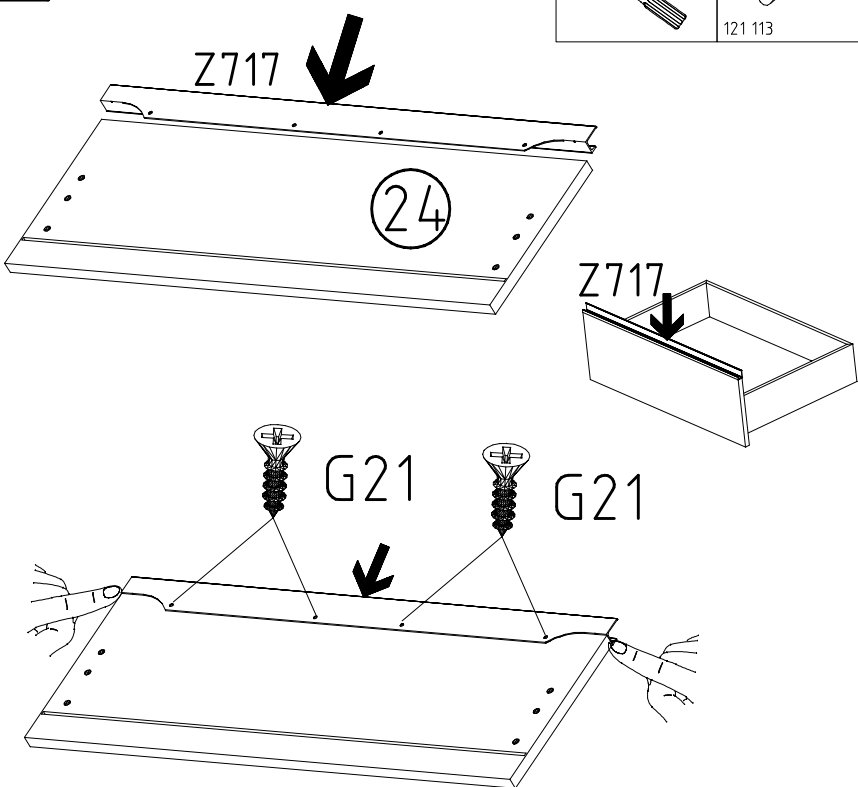
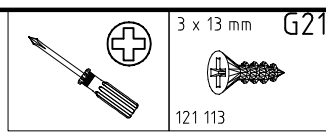
39



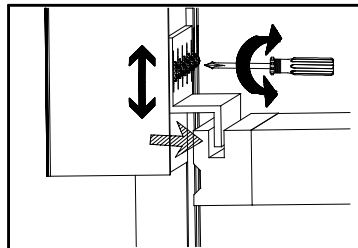
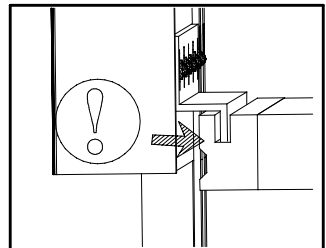
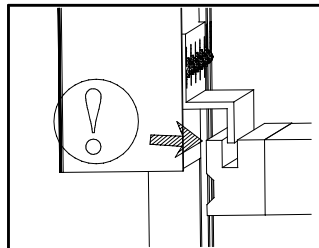
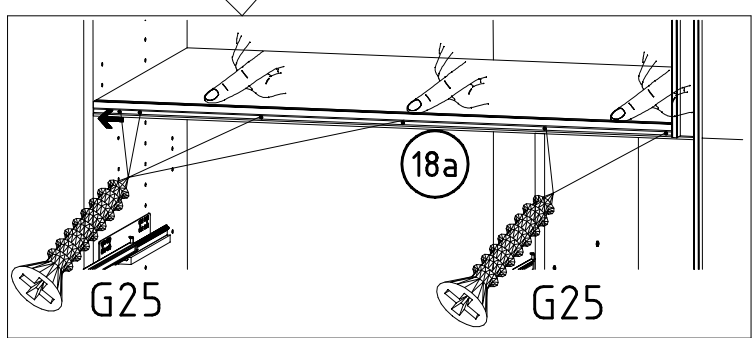
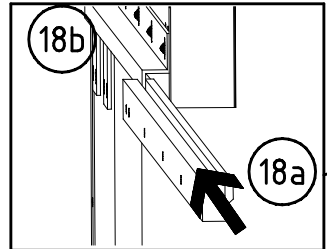
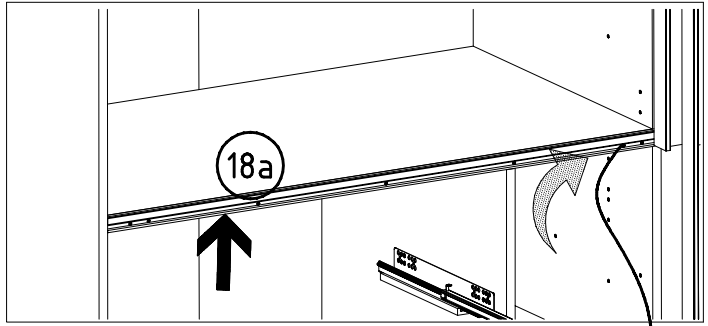
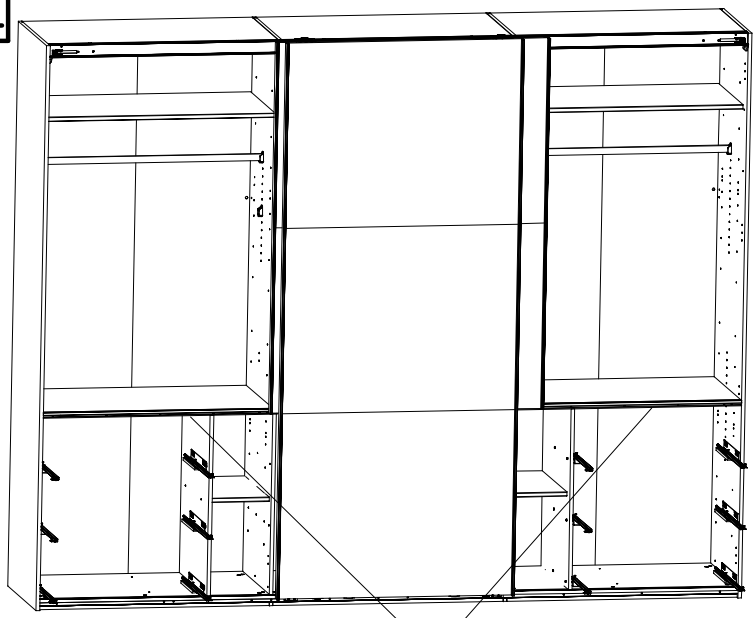
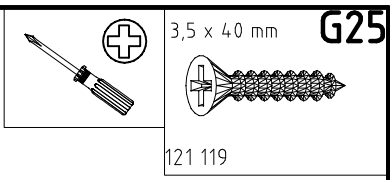
41



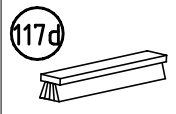
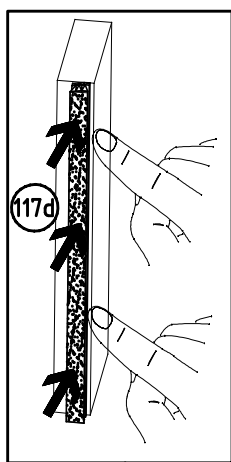
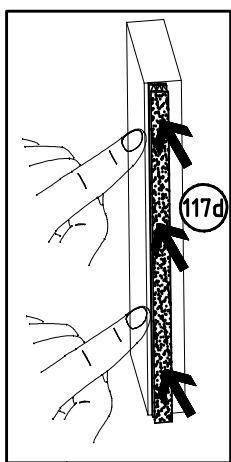
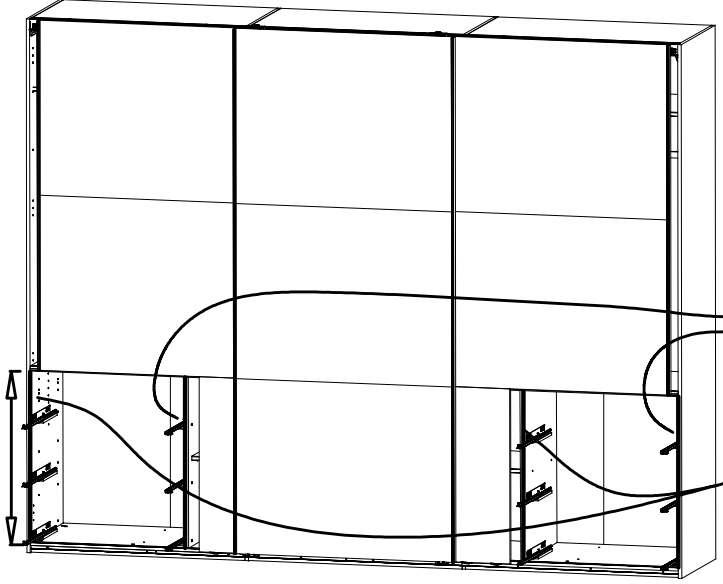
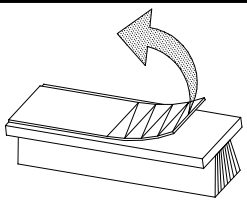
40



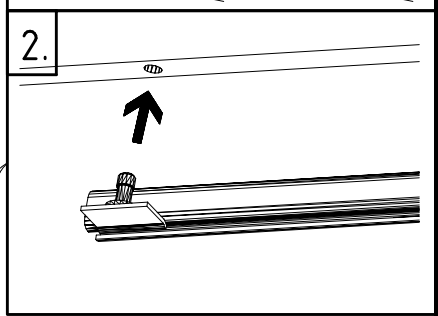
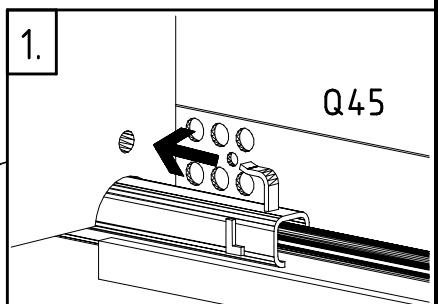
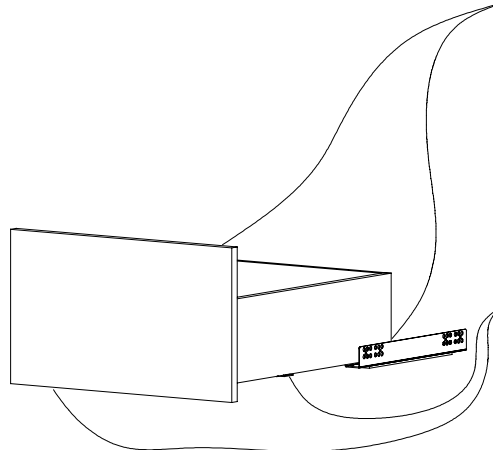
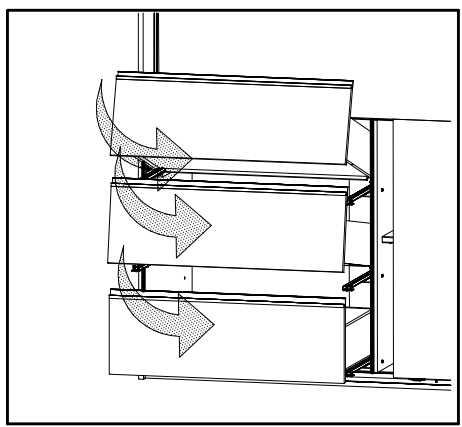
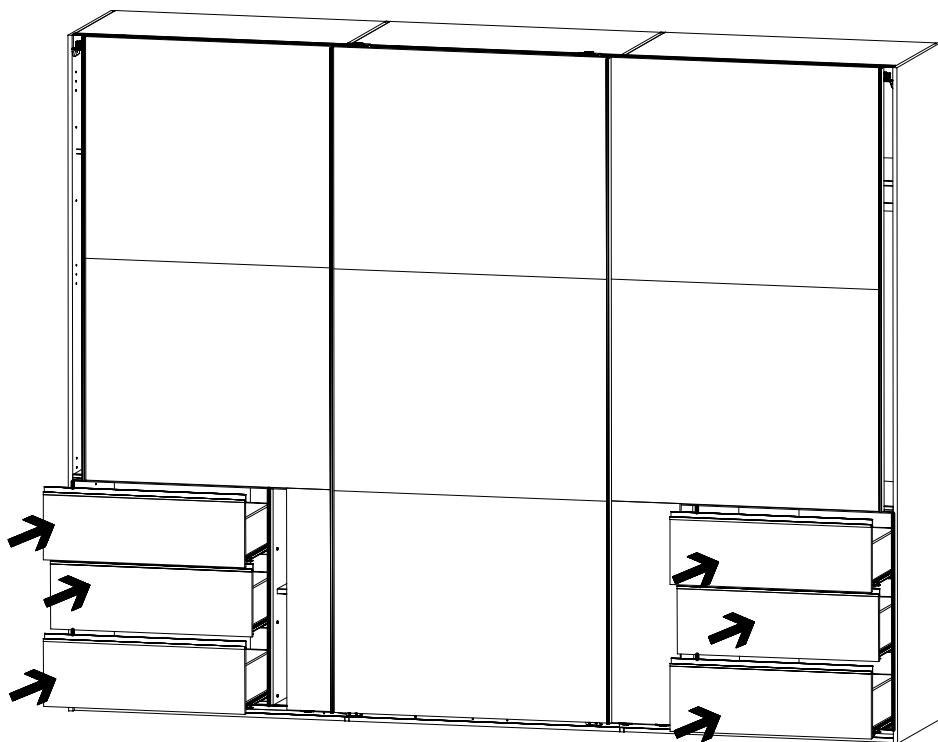
42



43



44



45

