



www.grepool.com

- EN** **Instruction Manual**
Take the reference number of your pool into account when you do the assembly
- ES** **Manual de Instrucciones**
Tenga en cuenta la referencia y las medidas de su piscina a la hora de realizar el montaje
- FR** **Notice de Montage**
Considérez la référence et les mesures de votre piscine avant de procéder au montage
- DE** **Bedienungsanleitung**
Bitte beachten Sie die Referenz und die Maße Ihres Schwimmbads, wenn Sie die Montage ausführen

- IT** **Manuale delle istruzioni**
Tener presente il riferimento della piscina al momento del montaggio
- NL** **Handleiding met instructies**
Op het moment van monteren dient u rekening te houden met de referentie en de afmetingen van uw zwembad
- PT** **Manual de instruções**
Tenha em conta a referência da piscina momento de realizar a montagem

KPC041

Ø4,10m



KPCOV52

5,24 x 3,86 H 1,24m

KPCOV52L

5,24 x 3,86 H 1,24m

KPCOV66

6,64 x 3,86 H 1,24m

KPCOV66L

6,64 x 3,86 H 1,24m

KPCOV80

8,04 x 3,86 H 1,24m



EN SUMMARY:

1 - SAFETY PRECAUTIONS.	20
2 - COMPONENTS.	23
3 - PREPARATION OF THE SITE.	26
4 - INSTALLATION.	36
5 - MAINTENANCE AND USE.	71

ES ÍNDICE:

1 - CONSEJOS DE SEGURIDAD.	20
2 - COMPONENTES.	23
3 - PREPARACIÓN DEL TERRENO.	26
4 - INSTALACIÓN.	36
5 - MANTENIMIENTO Y USO.	71

FR SOMMAIRE:

1 - CONSEILS DE SECURITE.	20
2 - ELEMENTS.	23
3 - PRÉPARATION DU TERRAIN.	26
4 - INSTALLATION.	36
5 - ENTRETIEN ET UTILISATION.	71

DE ZUSAMMENFASSUNG:

1 - SICHERHEITSHINWEIS.	20
2 - BESTANDTEILE.	23
3 - VORBEREITUNG DES BODENS.	26
4 - INSTALLATION.	36
5 - WARTUNG UND GEBRAUCH.	71

IT RIASSUNTO:

1 - CONSIGLI DI SICUREZZA.	20
2 - COMPONENTI.	23
3 - PREPARAZIONE DEL TERRENO.	26
4 - INSTALLAZIONE.	36
5 - MANUTENZIONE E USO.	71

NL SAMENVATTING:

1 - RAADGEVINGEN VOOR DE VEILIGHEID.	20
2 - ONDERDELEN.	23
3 - BEREIDING VAN HET TERREIN.	26
4 - INSTALLATIE.	36
5 - ONDERHOUD EN GEBRAUCH.	71

PT RESUMO:

1 - CONSELHOS DE SEGURANÇA.	20
2 - COMPONENTES.	23
3 - PREPARAÇÃO DO TERRENO.	26
4 - INSTALAÇÃO.	36
5 - MANUTENÇÃO E UTILIZAÇÃO.	71



EN IMPORTANT

- Read carefully the whole manual before mounting the pool.
- Before starting with the installation, extend all the pool components and check that they are the same as the ones on page 23.
- Handle with care all the swimming pool parts. They are very fragile and can be damaged easily.
- In case of failure to following these instructions, the warranty will be completely invalidated.
- If you have any questions, contact the technical service.

ES IMPORTANTE

- Lea detenidamente el manual entero antes de montar la piscina.
- Antes de comenzar la instalación, extienda todos los componentes de la piscina y verifique que coincide con lo indicado en la página 23.
- Tenga mucho cuidado al manipular las piezas de la piscina. Pueden romperse.
- En caso de no seguir éstas instrucciones, la garantía quedará totalmente invalidada.
- Si tiene algún problema contacte con nuestro servicio técnico.

FR IMPORTANT

- Lisez attentivement le manuel complet avant de procéder au montage de la piscine.
- Avant de démarrer l'installation, sortez tous les composants de la piscine et vérifiez qu'ils coïncident avec les indications de la page 23.
- Faites très attention pendant la manipulation des pièces de la piscine. Elles risqueraient de se casser.
- Si les présentes instructions ne sont pas respectées, la garantie sera totalement annulée.
- En cas de doute, contactez le service technique.

DE WICHTIG

- Lesen Sie das Handbuch aufmerksam durch, bevor Sie den Pool aufstellen.
- Breiten Sie vor Beginn des Aufbaus alle Elemente des Pools aus und überprüfen Sie, ob diese mit den auf Seite 23 genannten übereinstimmen.
- Seien Sie sehr vorsichtig im Umgang mit den Poolteilen. Sie können kaputt gehen.
- Das Nichtbeachten dieser Hinweise macht die Garantie gänzlich ungültig.
- Bei Fragen können Sie sich gerne jederzeit an den Kundendienst wenden.

IT IMPORTANTE

- Leggere con attenzione l'intero manuale prima di montare la piscina.
- Prima di iniziare l'installazione, estrarre tutti i componenti della piscina e accertarsi che coincidano con quanto indicato a pagina 23.
- Prestare particolare attenzione nel maneggiare i componenti della piscina in quanto possono rompersi
- La garanzia perderà la validità nel caso in cui non vengano rispettate le presenti istruzioni.
- Per qualsiasi dubbio contattare il servizio di assistenza tecnica.

NL BELANGRIJK

- Lees deze handleiding in zijn geheel aandachtig door voordat u begint met de montage van het zwembad.
- Voordat u met de installatie begint, moet u alle onderdelen van het zwembad uitpakken en naast elkaar neerleggen om te controleren of de inhoud overeen komt met wat is aangegeven op pagina 23.
- Wees heel voorzichtig bij het hanteren van de onderdelen van het zwembad. Ze kunnen breken.
- Wanneer u deze instructies niet opvolgt, komt de garantie geheel te vervallen.
- Indien u twijfels of vragen hebt, neem a.u.b. contact op met de technische dienst.

PT IMPORTANTE

- Leia atentamente o manual completo antes de montar a piscina.
- Antes de começar a instalação, estenda todos os componentes da piscina e verifique que coincidem com o indicado na página 23.
- Tenha muito cuidado ao manusear as peças da piscina. Podem partir.
- No caso de não seguir estas instruções, a garantia ficará totalmente invalidada.
- Se tiver qualquer dúvida, contacte o serviço técnico

EN ATTENTION!

Carefully read this information and keep it for later consultations

Congratulations on your swimming pool choice. The model you have chosen has been especially designed for simple and rapid installation, but some precautions for safe handling and safe use are necessary. Before starting with the installation and assembly of your pool, consider the current local regulation about on ground and in ground pools.

The use of the pool kit includes respecting the safety instructions described in the maintenance and instructions for use manual. If the safety regulations are not respected, serious damages for your health and specially for children may occur. Read this manual carefully and pay attention to the illustrations before starting to assemble the pool. In the case of not following this manual for the pools assembly, in case of failure the guarantee may be rejected.

The information in this manual shows exactly how the pool should be assembled with illustrations that complement the assembly process. Contractual elements such as illustrations may vary, regarding on shape, colour and aspect. Manufacturas Gre in its commitment to ongoing improvement of their products, reserves the right to modify at any time and without previous warning the features, the technical details, the standardized equipment and the different options of its products.

ES ¡ATENCIÓN!

Lea detenidamente esta información y guárdela para consultarla posteriormente

Enhorabuena por su elección. El modelo que ha elegido se ha concebido especialmente para una instalación sencilla y rápida, pero son necesarias algunas precauciones para el buen uso de su piscina. Antes de comenzar con la instalación y el montaje de su piscina, infórmese sobre la normativa local vigente en materia de superficie y de implantación.

El uso del kit de piscinas implica el respeto de las instrucciones de seguridad descritas en el manual de mantenimiento y de utilización. Si no se respetan las normas de seguridad se pueden producir graves riesgos para la salud, en especial la de los niños. Lea atentamente este manual y observe las ilustraciones antes de empezar el montaje de su piscina. En caso de que el montaje no guarde conformidad con este manual se expone a un rechazo de la garantía en caso de fallo.

La información que aparece en este manual de instalación se muestra exactamente como se realiza. Y las ilustraciones que figuran en el mismo ayudan a explicar el proceso de montaje. No se considerarán elementos contractuales en cuanto a las formas, los colores y el aspecto que muestran. En su objetivo constante de mejorar sus productos, Manufacturas Gre se reserva el derecho a modificar en cualquier momento y sin previo aviso las características, los detalles técnicos, los equipamientos estandarizados y las opciones de sus productos.

FR ATTENTION !

A lire attentivement et à conserver pour consultation ultérieure

Félicitations pour votre choix, le modèle que vous avez choisi a été spécialement étudié pour une installation simple et rapide, mais certaines précautions sont nécessaires au bon usage de votre piscine. Avant de commencer l'installation et le montage de votre piscine, renseignez-vous sur les réglementations locales en vigueur, notamment en matière de surface et d'implantation.

L'utilisation d'un kit piscine implique le respect des consignes de sécurité décrites dans la notice d'entretien et d'utilisation. Le non respect des consignes d'entretien peut engendrer des risques graves pour la santé, notamment celle des enfants. Lire entièrement ce manuel et regarder les illustrations avant d'entreprendre l'assemblage de votre piscine. Tout montage non conforme à cette notice vous exposera à un refus de garantie en cas de défaillance.

Les informations figurant dans cette notice de montage s'avéraient exactes lors de sa réalisation. Cependant, les illustrations qui y figurent ont pour objet d'expliquer un processus de montage. Elles ne sauraient être des éléments contractuels quant aux formes, teintes et aspects qu'elles revêtent. Dans le souci constant d'améliorer ses produits, la société Manufacturas Gré se réserve le droit de modifier à tout moment et sans préavis les caractéristiques, détails techniques, équipements standardisés et options de ses produits.

DE ACHTUNG!

Lesen Sie diese Informationen aufmerksam und bewahren Sie sie auf, um später darin nachzuschlagen.

Herzlichen Glückwunsch zu Ihrer Wahl. Das von Ihnen gewählte Modell wurde speziell für eine einfache und schnelle Montage entwickelt. Jedoch sind einige Vorsichtsmaßnahmen für einen korrekten Gebrauch erforderlich. Bevor Sie mit der Installation Ihres Pools beginnen, informieren Sie sich über die örtliche geltende Vorschriften zu Oberflächen und Einführung des Pools.

Die Verwendung des Poolsets setzt die Einhaltung der in der Wartungs- und Bedienungsanleitung beschriebenen Sicherheitshinweise voraus. Wenn die Sicherheitsbestimmungen nicht eingehalten werden, können schwerwiegende Gesundheitsrisiken auftreten, insbesondere bei Kindern. Lesen Sie diese Bedienungsanleitung sorgfältig durch und beachten Sie die Abbildungen, bevor Sie mit der Montage Ihres Pools beginnen. Entspricht die Installation nicht dieser Anleitung, so unterliegt eine Ablehnung der Gewährleistung.

Die Informationen in diesem Installationshandbuch werden genau so angezeigt, wie sie ausgeführt werden. Jedoch beabsichtigen die darin enthaltenen Abbildungen den Montageprozess zu erläutern. Sie gelten nicht als Vertragsbestandteile in Bezug auf Form, Farbe und Erscheinungsbild. Manufacturas Gre behält sich das Recht vor, jederzeit und ohne vorherige Ankündigung die Eigenschaften, technische Merkmale, standardisierte Ausstattungen und die Optionen seiner Produkte zu ändern.

IT ATTENZIONE

Leggere attentamente queste informazioni e e conservarle per farvi riferimento in futuro

Congratulazioni per la tua scelta. Il modello che hai scelto è stato progettato in modo particolare per una installazione semplice e rapida, ma per un uso corretto della piscina sono necessarie alcune precauzioni. Prima di procedere con l'installazione e il montaggio della tua piscina, informati su quanto previsto dal piano regolatore.

L'utilizzo del kit delle piscine implica il rispetto delle istruzioni di sicurezza descritte nel manuale d'uso e manutenzione. Non rispettando le norme di sicurezza si possono produrre gravi rischi per la salute, in particolare quella dei bambini. Leggere attentamente il presente manuale e osservare le illustrazioni prima di iniziare il montaggio della piscina. Nel caso in cui il montaggio non sia conforme a quanto indicato nel presente manuale vi è il rischio che, in caso di un difetto, la garanzia venga rifiutata.

Le informazioni contenute nel presente manuale di installazione mostrano esattamente come procedere. Tuttavia, le illustrazioni presenti nello stesso vogliono spiegare il processo di montaggio. Non sono considerate elementi contrattuali per quanto riguarda la forma, il colore o l'aspetto mostrati. Con l'obiettivo costante di migliorare i suoi prodotti, la società Manufacturas Gré si riserva il diritto di modificare un qualsiasi momento e senza preavviso le caratteristiche, i dettagli tecnici, gli accessori standard e gli optional dei suoi prodotti.

NL LET OP!

Lees deze informatie aandachtig door en bewaar het om het later nog eens terug te kunnen lezen

Gefeliciteerd met uw keuze. Het model dat u heeft gekozen is speciaal ontworpen voor een eenvoudige en snelle installatie, maar er zijn wel een aantal voorzorgsmaatregelen nodig voor het juiste gebruik van uw zwembad. Voordat u begint met de installatie en de montage van uw zwembad, informeert u zich over de plaatselijke regelgeving inzake oppervlak en implantatie.

Het gebruik van de zwembadkit impliceert het in acht nemen van de veiligheidsinstructies zoals die zijn beschreven in het onderhouds- en gebruikershandleiding.

Als de veiligheidsvoorschriften niet in acht worden genomen kan dat leiden tot ernstige gezondheidsrisico's, met name voor kinderen. Lees deze handleiding aandachtig door en bekijk de illustraties goed voordat u begint met de montage van uw zwembad. Indien de montage niet wordt uitgevoerd in overeenstemming met deze handleiding, zal de garantie nietig zijn in het geval een defect.

De informatie die in deze installatiehandleiding te vinden is, toont precies hoe u dat doet. De illustraties die daarin worden getoond, zijn echter alleen bedoeld om het montageproces te verhelderen. De vormen, kleuren en de uiterlijke verschijningsvorm die erin worden getoond kunnen niet als contractuele elementen worden beschouwd. Vanwege het constante streven om hun producten te verbeteren, behoudt het bedrijf Manufacturas Gré zich het recht voor om de kenmerken, technische gegevens, de gestandaardiseerde apparatuur en de mogelijkheden van zijn producten op ieder willekeurig moment en zonder waarschuwing vooraf, aan te passen.

PT ATENÇÃO!

Leia cuidadosamente estas informações e conserve-as para consultas posteriores

Parabéns pela sua escolha. O modelo que escolheu foi concebido especialmente para uma instalação simples e rápida, porém algumas precauções são necessárias para a boa utilização da sua piscina. Antes de começar a instalação e a montagem da sua piscina, informe-se sobre o regulamento local em vigor em matéria de superfície e de implantação.

A utilização do kit de piscinas implica o respeito pelas instruções de segurança descritas no manual de manutenção e de utilização.

Se as normas de segurança não forem respeitadas, poderão ocorrer graves riscos para a saúde, designadamente a das crianças. Leia atentamente este manual e observe as ilustrações antes de começar a montagem da sua piscina. Caso a montagem não esteja conforme este manual, a garantia poderá ser recusada em caso de falha.

A informação que consta deste manual de instalação mostra exatamente como a montagem deve ser realizada. Porém, os desenhos que constam do mesmo pretendem explicar o processo de montagem. As formas, as cores e o aspeto que estes mostram não serão considerados elementos contratuais. No seu objetivo constante de melhorar os seus produtos, a sociedade Manufacturas Gré reserva-se o direito de alterar, a qualquer altura e sem prévio aviso, as características, os detalhes técnicos, os equipamentos padronizados e as opções dos seus produtos.

PICTOGRAMS - PICTOGRAMAS - PICTOGRAMMES - PIKTOGRAMME PITTOGRAMMI - PICTOGRAMMEN - PICTOGRAMAS



Compulsory
Obligatorio
Impératif
Obligatorisch
Obbligatorio
Verplicht
Obrigatório



Attention
Atención
Attention
Achtung
Attenzione
Let op
Atenção



Comment
Observación
A noter
Hinweis
Osservazioni
Opmerking
Observação



Suggestions
Consejo
Conseils
Ratschlag
Consigli
Tips
Conselhos

GUARANTEE



Keep your manual with the serial number and the purchase justification (payment receipt) for any type of reclamation.



Any reclamation against guarantee should be made by an online declaration, via the www.grepool.com/en/after-sales website, together with receipt of purchase.

You may be asked for photographs to justify the claim. No returns of material will be accepted without previous agreement. The client will support all costs of all returns of goods, (packaging and transport).

AFTER VERIFICATION AND CONFIRMATION OF A MANUFACTURING DEFECT

- The products that effectively show defects will be repaired or will be replaced free of transport costs.
- An estimate will be provided for the products not included in the guarantee. After the client has accepted the estimate the parts will be delivered.

The guarantee is limited to the repair or replacement of the defective part. It does not include, under any circumstance, the payment of compensation for harm and damages.

THE GUARANTEE IS NOT APPLICABLE IN THE FOLLOWING SITUATIONS:

- Use of materials that do not comply to our instructions.
- Damages caused by mishandling or an installation not complying with the instructions.
- The maintenance instructions were not followed.
- Inappropriate or wrong use of the chemical product.

DURATION AND CONDITIONS OF THE WARRANTY:

The pool's warranty period against all the manufacturing defects it is 2 years. The requirement for this is that all the manual instructions in relation to the preparation, installation, use and security that come with the pool are followed at detail.

The pool's structure has a 5 year warranty since the date that the product has been purchased. This warranty covers insect attacks and rotting. The guarantee will not be valid for the following situations:

- Use of materials not in accord to our instructions.
- Incorrect use of chemical products for water maintenance
- Colour variations
- Provoked damage (breakages, scratches)
- Liner: 2 years for the seams and water tightness in normal conditions of use. The guarantee does not include: Ripping, tears, breakages, stains (caused by pouring treatment products directly into the water), stains linked to the growth of algae, stains related to the decomposition of foreign bodies in contact with the liner, stains and decolouring resulting from the action of oxidising products, colour maintenance and wear due to friction of the material over diverse surfaces. Deformation of the liner that has

been left without water for 24 hours (never completely empty the pool).

You should keep the label with the serial number of the liner that is on the product and on its packaging. This number and a sample of the liner will be required for any eventual reclamation against the guarantee.

- Stainless steel stepladder: 2 years. In the case of a filtration due to salt electrolysis, the guarantee will not cover the stepladder.
- Filter group: The pump has 2 years guarantee (electrical problem), in normal conditions of use. The guarantee does not cover breakage of parts (pump base/sand deposit, pre-filter cover, multi-directional trap...), wear due to a poor connection, use of the pump without water, wear due to abrasion or corrosion (the filter group should be located in a cool and dry position, kept protected from water splashing).
- Other components: 2 years.

THE FOLLOWING IS NOT INCLUDED IN THE GUARANTEE:

- Cuts in the liner
- The assembly and filter connection
- The assembly
- The filling with water
- Installation of the edges
- The wintering
- Maintenance

AFTER SALES SERVICE IN GUARANTEE:

(Change of piece after visual justification)

- Changing of COMPOSITE after visual verification.
- Period for change: 8 business days In the context of replacing a defective component, the disassembly and assembly is not the responsibility of Manufacturas Gre.

AFTER SALES SERVICE WITHOUT GUARANTEE:

The guarantee is valid in all the UE countries, UK and Switzerland. GRE offers the buyer -in addition to the rights of guarantee from the seller that correspond by law and without limiting them- an additional right according to the conditions of the following obligations guaranteed for new products.

MANUFACTURAS GRE S.A. | ARITZ BIDEA 57,
BELAKO INDUSTRIALDEA | 48100 Mungia (Vizcaya) España
| N° REG. IND.: 48-06762
Made in Europe

e-mail: gre@gre.es

<http://www.grepool.com>

Spare parts available for 5 years counting from the product invoicing date.

PROLOGUE

SAFETY INSTRUCTIONS

The filter kit (filter + pump) should be installed at least 3.5 metres from the pool to avoid the risk of electrocution.

According to the regulation, there should be a special differential electricity protection device for pools with electric filter pumps.

Never leave children without surveillance near the pool.

After each bath, remove the external stepladder to avoid accidental falling into the pool of children or of pets (Regulation EN-P90-317).

This pool is exclusively designed for family use. Walking on the edges or diving or jumping from them is strictly forbidden.

DURATION OF THE INSTALLATION

The installation of this pool needs the intervention of at least two people and takes two days (besides the preparation of the land and the filling).

BEFORE BUILDING YOUR POOL MAKE SURE THAT

- You have the assistance of a qualified person for the electrical connections.
- There is sufficient water supply to fill the pool.
- That you have carefully read the manual, step by step, to fully understand the installation of your pool.

INSTALLATION SUGGESTION

The land should be prepared as indicated in the «installation» chapter of this manual.

DO NOT PLACE YOUR POOL

- Under overhead electricity cables
- Under branches of trees
- On non-stable land

A good location allows you to save time and avoid limitations. The pool should be in a sunny spot and easily reached.

The location of the pool should be free of tubes or electrical connections.

Take into account that the best is to assemble the pool on a sunny day and avoiding high winds.

PACKAGING, CLASSIFICATION AND RECYCLING

- Some pool components are packed in plastic bags. To avoid all risk of asphyxia, never allow babies or children to play with these.
- Thanks for respecting the European Union Laws and collaborating in protecting the environment.

When you have installed your pool and all the components are assembled, we thank you for classifying and recycling all the packaging.

GARANTÍA



Para cualquier reclamación o servicio posventa, guarde su manual con el número de serie junto con el justificante de compra (ticket de caja).



Para cualquier demanda de garantía deberá ponerse en contacto a través de nuestra web www.grepool.com/ post-venta, junto con el justificante de compra.

Se pueden solicitar fotografías para justificarlo. No se aceptará ninguna devolución de mercancía sin acuerdo previo. El cliente correrá con los costes de todas las devoluciones de mercancía (embalaje y transporte).

TRAS LA VERIFICACIÓN Y LA CONSTATAción DE UN DEFECTO DE FABRICACIÓN.

• Los productos que efectivamente presenten defectos se repararán o se sustituirán con los portes pagados.

La garantía se limita a la reparación o a la sustitución de la pieza defectuosa. No implica en ningún caso una demanda de indemnizaciones o de daños y perjuicios.

NO SE APLICA LA GARANTÍA EN LAS SIGUIENTES SITUACIONES:

- Utilización de materiales no conformes a nuestras instrucciones.
- Daños provocados por una manipulación errónea o de una instalación no conforme.
- No se siguieron las instrucciones de mantenimiento.
- Uso inadecuado o incorrecto del producto químico.

DURACIÓN Y CONDICIONES DE LA GARANTÍA:

El período de garantía de la piscina contra todos los defectos de fabricación es de 2 años. El requisito previo para esto es que se cumplan las instrucciones de los manuales relativas a la preparación, instalación, uso y seguridad suministrados con la piscina.

La estructura de la piscina dispone de una garantía de 5 años a partir de la fecha de compra contra podredumbre y ataque de insectos. La garantía no será válida para las siguientes situaciones:

- Utilización de materiales no conformes a nuestras instrucciones
- Utilización incorrecta de producto químico para el mantenimiento del agua.
- Variaciones de color
- Daños provocados (roturas y arañazos).
- Liner: 2 años para las costuras y la estanqueidad en unas condiciones de uso normal. No entran en garantía: Los desgarrones, los rotos, las roturas, las manchas (productos de tratamiento directamente en el agua), las manchas vinculadas al crecimiento de algas, las manchas relacionadas con la descomposición de cuerpos extraños en contacto con el liner, las manchas y las decoloraciones resultantes de la acción de los productos oxidantes, el mantenimiento del color y el desgaste debidos a la fricción del material sobre diversas superficies. La deformación del liner que se ha dejado más de 24 horas sin agua (no vacíe la piscina por completo nunca).

Es obligatorio guardar la etiqueta con el número de serie del liner presente en el producto y en su embalaje. Para cualquier solicitud eventual de asunción de garantía, se exigirá una muestra del liner.

- Escalera inoxidable: 2 años. En caso de una filtración por electrólisis de sal, no se podrá tener en cuenta la garantía de la escalera.
- Grupo de filtración: La bomba tiene una garantía de 2 años (problema eléctrico) en condiciones normales de uso. No entran en garantía: la rotura de piezas (base de la bomba/depósito de arena, cubierta del prefiltro, trampilla multidireccional...) el deterioro debido a una conexión defectuosa, el uso de la bomba en seco, el deterioro por abrasión o por corrosión (el grupo de filtración debe situarse en un lugar fresco y seco, resguardado de salpicaduras de agua).
- Otros componentes: 2 años.

ESTÁN EXCLUIDOS DE LA GARANTÍA:

- Los cortes en el liner
- El montaje y la conexión de la filtración
- El ensamblado
- El llenado de agua
- La colocación de los bordes
- El invernaje
- El mantenimiento

SERVICIO POSVENTA EN GARANTÍA:

(Cambio de pieza previa justificación visual)

- Cambio de madera previa justificación visual.
- Plazo de cambio: 8 días laborables. En el contexto de la sustitución de un componente defectuoso, el montaje y el desmontaje no corren por cuenta de Manufacturas Gre.

ALCANCE GEOGRÁFICO DE LA GARANTÍA:

La garantía es válida para todos los países miembros de la Unión Europea, UK y Suiza.

Gre ofrece al comprador – además de los derechos de garantía que le corresponden por ley ante el vendedor y sin limitarlos – un derecho según las condiciones de las siguientes obligaciones garantizadas para productos nuevos.

Fabricado en
MANUFACTURAS GRE S.A. | ARITZ BIDEA 57,
BELAKO INDUSTRIALDEA | 48100 Mungia (Vizcaya) España
| Nº REG. IND.: 48-06762
Hecho en Europa

e-mail: gre@gre.es

<http://www.grepool.com>

Piezas sueltas disponibles durante 5 años contados desde la fecha de facturación del producto.

ANTES DEL MONTAJE

INSTRUCCIONES DE SEGURIDAD

Es obligatorio colocar el kit de filtración (filtro + bomba) a una distancia mínima de 3,5 metros de la piscina para evitar el riesgo de descarga eléctrica.

Es obligatorio prever la instalación de un dispositivo de protección diferencial especial para piscinas en la alimentación eléctrica de la bomba, conforme a la normativa.

Nunca deje a los niños sin vigilancia cerca de la piscina.

Después de cada baño, retire la escalera exterior para evitar las caídas accidentales de los niños o de las mascotas con la piscina (Norma EN P90-317).

Esta piscina está destinada a un uso exclusivamente familiar. No está permitido caminar sobre los bordes ni zambullirse o saltar desde ellos.

DURACIÓN DE LA INSTALACIÓN

La instalación de la piscina precisa de la intervención de al menos dos personas y requiere dos días (aparte de la preparación del terreno y el llenado).

ANTES DE LA CONSTRUCCIÓN DE SU PISCINA CERCÍÓRESE

- De la intervención de una persona cualificada para realizar las conexiones eléctricas.
- De que el suministro de agua sea suficiente para llenar la piscina.
- De que ha leído el manual minuciosamente, paso a paso, para comprender bien la instalación de la piscina.

CONSEJO DE COLOCACIÓN

Debe preparar el terreno como se indica en este manual en el capítulo «instalación».

NO SITÚE SU PISCINA

- Bajo tendidos eléctricos
- Bajo las ramas de árboles
- Sobre un terreno no estabilizado

Un buen emplazamiento le permite ahorrar tiempo y le evita limitaciones. La piscina debe estar en un lugar soleado y fácilmente accesible.

La ubicación de la piscina debe estar libre de tuberías o de conexiones eléctricas.

Tenga en cuenta que es preferible montar la piscina un día soleado y evitar los días de mucho viento.

EMBALAJE, CLASIFICACIÓN Y RECICLAJE

• Algunos componentes de la piscina están embalados en bolsas de plástico. Para evitar todos los riesgos de asfixia, nunca permita que los bebés o los niños jueguen con ellas.

• Gracias por respetar las normas de la Unión Europea y por colaborar en la protección del medio ambiente.

Cuando haya instalado su piscina y estén todos los componentes ensamblados, le agradecemos que clasifique y recicle todos los embalajes.

Piezas sueltas disponibles durante 5 años contados desde la fecha de facturación del producto.

GARANTIE



Pour toute réclamation/SAV, conservez votre notice avec le N° de série ainsi que votre preuve d'achat (ticket de caisse).



Toute demande de garantie devra faire l'objet d'une déclaration en ligne sur le site: www.grepool.com/fr/ après-vente, accompagnée de la preuve d'achat.

Des photos pourront être demandées pour justificatif. Aucun retour de marchandise ne sera accepté sans accord préalable. Tout retour de marchandise est à la charge du client (emballage et transport).

APRES VERIFICATION ET CONSTATATION D'UN DEFAUT DE FABRICATION :

- Les produits effectivement défectueux seront réparés ou échangés et remplacés en port payé.

La garantie se limite à la réparation ou au remplacement de la partie défectueuse. Elle n'implique en aucun cas une demande d'indemnités ou de dommages et intérêts.

LA GARANTIE NE S'APPLIQUE PAS DANS LES CAS SUIVANTS :

- Utilisation du matériel non conforme à nos instructions.
- Dommages provoqués par une mauvaise manipulation ou un montage non conforme.
- Les conseils de maintenance n'ont pas été suivis
- Usage inapproprié ou incorrecte des produits chimiques

DURÉE ET CONDITIONS DE LA GARANTIE :

La période de garantie de la piscine contre tout défaut de fabrication est de 2 ans. Préalablement, bien suivre les instructions indiquées sur la notice concernant la préparation, l'installation, l'usage et la sécurité fournis avec la piscine.

La garantie de la piscine est de 5 ans à partir de la date d'achat contre le pourrissement et l'attaque des insectes. La garantie ne sera pas valable dans les situations suivantes :

- Utilisation de matériaux non conformes à nos instructions.
- Utilisation incorrecte d'un produit chimique pour l'entretien de l'eau.
- Variations de couleur.
- Dommages provoqués (cassures et éraflures)
- Le liner : 2 ans sur les soudures et l'étanchéité, dans les conditions d'un usage normal. Ne sont pas garantis : Les accrocs, trous, déchirures, tâches (produits de traitement directement dans l'eau), tâches liées au développement d'algues, tâches liées à la décomposition de corps étrangers en contact avec le liner, tâches et décolorations résultant de l'action de produits oxydants, tenue de couleur et l'usure due au frottement de la matière sur divers surfaces. Les déformations du liner resté plus de 24h sans eau (ne vidangez jamais complètement votre piscine).

Il est impératif de conserver l'étiquette du numéro de série du liner présent sur le produit et son emballage. Pour toute demande éventuelle de prise en garantie, un échantillon du liner sera demandé.

- L'échelle inox : 2 ans. Dans le cas d'une filtration par électrolyse au sel, la garantie de l'échelle ne pourra être prise en compte.
- Groupe de filtration : La pompe est garantie 2 ans (problème électrique) dans les conditions d'un usage normal. Ne sont pas garantis : la casse des pièces (socle de pompe/cuve à sable, couvercle de pré filtre, vanne multivoies ...), la détérioration due à un branchement défectueux, l'utilisation de la pompe à sec, la détérioration par abrasion ou corrosion (le groupe de filtration doit-être placé dans un local frais et sec, à l'abri des projections d'eau).
- Les autres composants : 2 ans.

SONT EXCLUS DE LA GARANTIE :

- La découpe du liner
- Le collage et branchement de la filtration
- L'assemblage
- La mise en eau
- La pose des margelles
- L'hivernage
- L'entretien

SAV SOUS GARANTIE :

(Changement de pièce après justification visuelle)

- Echange de COMPOSITE sur justificatifs visuels.
- Délai d'échange : 8 jours ouvrables. Dans le cadre du remplacement d'un composant défectueux, le montage et le démontage ne sont pas pris en charge par Manufacturas Gré.

GARANTIE :

La garantie est valide dans les pays membres de la communauté européenne, UK et en Suisse.

Gre offre à l'acheteur - en plus des droits de garantie qui lui correspondent par la loi au vendeur et sans les limiter - un droit dont les conditions des obligations garanties suivantes pour les nouveaux produits.

MANUFACTURAS GRE S.A. | ARITZ BIDEA 57,
BELAKO INDUSTRIALDEA | 48100 Mungia (Vizcaya) España
| N° REG. IND.: 48-06762
Made in Europe

e-mail: gre@gre.es

<http://www.grepool.com>

Pièces détachées disponibles pendant 5 ans à compter de la date de facturation du produit.

AVANT-PROPOS

CONSIGNES DE SECURITE

Il est impératif de placer votre kit de filtration (filtre + pompe) à au moins 3,5 m. du bassin afin d'éviter tout risque de choc électrique. Il est impératif de prévoir sur l'alimentation électrique de la pompe un dispositif de protection différentiel spécial piscines, conforme aux normes.

Ne jamais laisser les enfants sans surveillance à proximité du bassin.

Après chaque baignade, retirer l'échelle extérieure afin d'éviter la chute accidentelle d'un enfant ou d'un animal domestique dans le bassin (Norme EN P90-317).

Cette piscine est destinée à un usage exclusivement familial, Il est interdit de marcher sur les margelles, de plonger ou de sauter depuis le bord de l'eau.

DUREE DE L'INSTALLATION

L'installation de la piscine nécessite l'intervention d'au moins deux personnes et demande deux jours (hors terrassement et mise en eau).

AVANT LA CONSTRUCTION DE VOTRE PISCINE ASSUREZ-VOUS

- De l'intervention d'une personne avertie pour vos branchements électriques.
- Que votre alimentation d'eau soit suffisante pour remplir votre bassin.
- Que le manuel a été lu avec soin, étape par étape, pour bien comprendre l'installation de votre piscine.

CONSEIL D'EMPLACEMENT

Vous devez préparer votre terrain comme indiqué dans cette notice au chapitre "implantation"

NE PAS PLACER VOTRE PISCINE

- Sous des fils électriques.
- Sous les branches d'un arbre.
- Sur un terrain non stabilisé.

Un bon emplacement peut vous faire gagner du temps et vous éviter des contraintes. La piscine doit être ensoleillée et facilement accessible.

L'emplacement de la piscine doit être exempt de canalisation ou d'électricité.

Notez qu'il est préférable de monter sa piscine un jour ensoleillé et d'éviter les jours de grand vent.

EMBALLAGE, TRI ET RECYCLAGE

- Certains composants de votre piscine sont emballés sous sacs plastiques. Pour éviter tout risque d'étouffement, ne laissez jamais les bébés et les enfants jouer avec.
- Merci de respecter les réglementations de l'Union Européenne et d'aider à la protection de l'environnement.

Une fois votre piscine et tous ses composants assemblés merci de procéder au tri et au recyclage de tous les emballages.

GARANTIE



Für etwaige Beanstandungen oder Kundendienst bewahren Sie Ihr Handbuch mit der Seriennummer sowie dem Kaufbeleg (Quittung) auf.



Jegliche Garantieansprüche müssen online auf der Webseite www.grepool.com/de/kundenservice, zusammen mit dem Kaufbeleg, geltend gemacht werden.

Es können Fotos angefordert werden, um diesen Anspruch zu rechtfertigen. Eine Warenrücknahme ohne vorhergehende Vereinbarung wird nicht akzeptiert. Der Kunde trägt die Kosten für alle Warenrücksendungen (Verpackung und Transport).

NACH PRÜFUNG UND FESTSTELLUNG EINES FABRIKATIONSFEHLERS.

- Produkte, die tatsächlich Fehler aufweisen, werden repariert oder frachtfrei ersetzt.

Die Garantie ist auf die Reparatur oder den Ersatz des fehlerhaften Teils begrenzt. Sie bedeutet auf keinen Fall eine Schadensersatzforderung.

IN FOLGENDEN FÄLLEN KOMMT DIE GARANTIE NICHT ZUM EINSATZ:

- Einsatz von Material, das nicht unseren Vorgaben entspricht.
- Schäden, die durch unsachgemäße Handhabung oder nicht vorschriftsmäßige Montage verursacht werden.
- Die Wartungsanweisungen wurden nicht eingehalten
- Unsachgemäße oder falsche Anwendung der Chemie

LAUFZEIT DER GARANTIE UND GARANTIEBEDINGUNGEN:

Die Garantiezeit des Beckens gegen alle Herstellungsfehler beträgt 2 Jahre. Voraussetzung dafür ist, dass die mit dem Becken mitgelieferten Bedienungsanleitungen hinsichtlich der Vorbereitungs-, Installations-, Benutzungs- und Sicherheitshinweise beachtet wurden.

Der Tragwerk aus Composite des Schwimmbeckens besteht über eine Garantie von 5 Jahren ab Kaufdatum gegen Fäulnis und Insektenbefall. Wir übernehmen keine Gewährleistung für die folgende Situationen:

- Gebrauch der Materialien nicht in Übereinstimmung mit unseren Anweisungen
- Unsachgemäße Benutzung der Wasserchemie
- Farbänderungen
- Verursachte Schäden (Brüche und Kratzer)

- Liner: 2 Jahre auf Nähte und die Wasserfestigkeit unter normalen Nutzungsbedingungen. Folgendes fällt nicht unter die Garantie: Risse, Löcher, Bruchstellen, Flecken (Produkte zur Aufbereitung direkt im Wasser), Flecken aufgrund des Wachstums von Algen, Flecken in Zusammenhang mit der Auflösung von Fremdkörpern in Kontakt mit dem Liner, Flecken und Entfärbungen infolge der Wirkung oxidierender Produkte, der Erhaltung der Farbe und der Abnutzung aufgrund der Reibung des Materials an verschiedenen Oberflächen, Verformungen des Liners, der länger als 24 Stunden ohne Wasser zurückblieb (leeren Sie den Pool nie vollständig).

Es ist obligatorisch, das Etikett mit der Seriennummer des Liners

aufzubewahren, das am Produkt und in der Verpackung klebt. Für etwaige Anträge auf Übernahme der Garantie ist eine Probe des Liners erforderlich.

- Treppe aus rostfreiem Material: 2 Jahre. Bei Filtration durch Salzelektrolyse kann für die Treppe keine Garantie gewährt werden.

- Filteranlage: Die Pumpe hat eine Garantie von 2 Jahren (bei elektrischem Problem) unter normalen Nutzungsbedingungen. Nicht unter die Garantie fallen: das Brechen von Teilen (Sockel der Pumpe/Sandbehälter, Abdeckung des Vorfilters, richtungsunabhängige Klappe, ...), Beschädigung durch fehlerhaften Anschluss, die Nutzung der Pumpe im Trockenen, Beschädigung durch Abnutzung oder Korrosion (die Filteranlage muss an einem frischen und trockenen Ort und vor Wasserspritzern geschützt aufgestellt werden).

- Andere Bauelemente: 2 Jahre.

VON DER GARANTIE SIND AUSGESCHLOSSEN:

- Schnitte im Liner
- Montage und Anschluss der Filteranlage
- Zusammenbau
- Die Befüllung mit Wasser
- Die Positionierung der Handläufe
- Das Überwintern
- Die Instandhaltung

KUNDENDIENST MIT GARANTIE:

(Teilewechsel nach visueller Begründung)

- Austausch von Composite nach visuellen Nachweisen vorab.
- Frist für den Austausch: 8 Werktage. In Zusammenhang mit dem Austausch eines defekten Bauteils gehen Montage und Demontage nicht zu Lasten von Manufacturas Gré.

KUNDENDIENST OHNE GARANTIE:

- Transportkosten für Versand / Rücksendung zu Lasten des Kunden.

RÄUMLICHER GELTUNGSBEREICH DER GARANTIE:

Räumlicher geltungsbereich der garantie: EU-Mitgliedsländer, UK und die Schweiz

Gre bietet dem Kunden – zusätzlich zu den dem Kunden gesetzlich und ohne Einschränkung entsprechenden Gewährleistungsrechten – ein Recht unter den Bedingungen der folgenden garantierten Verpflichtungen für neue Produkte an.

Hergestellt von

MANUFACTURAS GRE S.A. | ARITZ BIDEA 57, BELAKO

INDUSTRIALDEA | 48100 Mungia (Vizcaya) Spanien

| N° REG. IND.: 48-06762

Made in Europe

e-mail: gre@gre.es

<http://www.grepool.com>

Einzelne Teile sind 5 Jahre ab Rechnungsdatum des Produktes erhältlich.

EINLEITUNG

SICHERHEITSHINWEISE

Es ist erforderlich, den Filtrationsbausatz (Filter + Pumpe) in einem Mindestabstand von 3,5 Metern zum Pool zu platzieren, um das Risiko eines Stromschlags zu vermeiden.

Laut Norm ist es vorgeschrieben, die Installation einer speziellen Differenzialschutzvorrichtung für Pools bei der Stromversorgung der Pumpe einzuplanen.

Lassen Sie Kinder nie ohne Aufsicht in die Nähe des Pools.

Entfernen Sie nach jedem Bad die äußere Treppe, um versehentliches Stürzen von Kindern oder Haustieren in den Pool (Richtlinie EN P90-317) zu vermeiden.

Dieser Pool ist ausschließlich für die Nutzung im familiären Rahmen bestimmt. Es ist nicht erlaubt, auf den Ränder zu gehen, von dort zu tauchen oder zu springen.

DAUER DER INSTALLATION

Die Installation des Pools erfordert den Einsatz von mindestens zwei Personen und dauert zwei Tage (neben der Vorbereitung des Geländes und der Befüllung).

VOR DEM AUFBAU IHRES POOLS SORGEN SIE FÜR

- Den Einsatz einer qualifizierten Person für den Anschluss der elektrischen Leitungen.
- Ausreichend Wasserzufuhr, um den Pool zu füllen.
- Lesen Sie das Handbuch genau, Schritt für Schritt, um die Installation des Pools richtig zu verstehen.

EMPFEHLUNG ZUR POSITIONIERUNG

Sie müssen das Gelände so vorbereiten wie in diesem Handbuch im Kapitel „Installation“ dargelegt.

PLATZIEREN SIE IHREN POOL NICHT

- Unter elektrischen Stormleitungen
 - Unter Zweigen von Bäumen
 - Auf einem nicht stabilisierten Gelände
- Ein guter Standort erlaubt Ihnen, Zeit zu sparen und Beschränkungen zu vermeiden. Der Pool sollte an einem sonnigen

und leicht zugänglichen Ort sein.

Die Position des Swimmingpools muss frei von Rohren oder elektrischen Anschlüssen sein.

Bitte berücksichtigen Sie, dass sich ein Pool am besten an einem sonnigen Tag aufstellen lässt und Tage mit viel Wind zu vermeiden sind.

VERPACKUNG, KLASSIFIKATION UND WIEDERVERWERTUNG

- Einige Bauteile des Pools sind in Plastikbeuteln verpackt. Um jegliches Risiko von Erstickern zu vermeiden, lassen Sie Babys oder Kinder nie damit spielen.
- Danke, dass Sie die Richtlinien der Europäischen Union beachten und beim Schutz der Umwelt helfen.

Wenn Sie Ihren Pool aufgestellt und alle Bauteile zusammengebaut haben, wären wir Ihnen dankbar, wenn Sie die Verpackungen sortieren und dem Recycling zuführen.

GARANZIA



In caso di reclami o per assistenza post vendita, conservare il manuale con il numero di serie insieme alla prova di acquisto (scontrino).



Qualsiasi richiesta di garanzia deve essere inoltrata on line, tramite la pagina web www.grepool.com/it/post-vendita, allegando lo scontrino.

Possono essere richieste fotografie come prova. Non si accetta la restituzione della merce salvo previo accordo. Il cliente si farà carico di tutte le spese di restituzione della merce (imballaggio e trasporto).

DOPO LA VERIFICA E LA CONSTATAZIONE DI UN DIFETTO DI FABBRICAZIONE.

- I prodotti che presentano effettivamente dei difetti saranno riparati o sostituiti con porto pagato.
- I prodotti al di fuori del periodo di garanzia saranno oggetto di preventivo. Dopo l'accettazione del preventivo da parte del cliente, gli saranno inviati i pezzi.

La garanzia si limita alla riparazione o alla sostituzione del pezzo difettoso. Non è contemplata in alcun caso una richiesta di indennizzo o di danni.

LA GARANZIA NON È APPLICATA NEI SEGUENTI CASI:

- Utilizzo del materiale in modo non conforme alle nostre istruzioni
- Danni provocati da una manipolazione errata o da un'installazione non conforme.
- Non sono state seguite le istruzioni di manutenzione.
- Uso inadeguato o scorretto del prodotto chimico.

DURATA E CONDIZIONI DELLA GARANZIA:

Il periodo della garanzia della piscina su tutti i difetti di fabbrica è di 2 anni. Il requisito previo è che si rispettino le istruzioni dei manuali relativi alla preparazione, installazione, uso e sicurezza forniti con la piscina.

La struttura della piscina dispone di una garanzia di 5 anni a partire dalla data di acquisto contro marciume e attacco di insetti. La garanzia perderà di validità qualora si verificano le seguenti condizioni:

- Utilizzo di materiali non conformi alle istruzioni fornite dall'azienda
- Utilizzo non corretto di prodotti chimici per il trattamento dell'acqua
- Variazioni di colore
- Danni causati (rotture e graffi)
- Liner: 2 anni per le giunzioni e la tenuta stagna nelle normali condizioni di uso. La garanzia non comprende: crepe, rotture, altri tipi di cedimento, macchie (prodotti di trattamento direttamente nell'acqua), le macchie legate al crescere di alghe, le macchie dovute alla decomposizione di corpi estranei al contatto con il liner, le macchie e lo scolorimento dovuti all'azione di prodotti ossidanti, mantenimento del colore e usura dovuti all'attrito del

materiale con diverse superfici, la deformazione del liner che è rimasto senza acqua per più di 24 ore (la piscina non deve mai essere svuotata completamente).

È obbligatorio conservare l'etichetta con il numero di serie del liner presente nel prodotto e nel suo imballaggio. Per qualsiasi eventuale domanda di assunzione di garanzia, sarà richiesto di mostrare il liner.

- Scaletta per piscina in acciaio inossidabile: 2 anni. In caso di filtraggio per elettrolisi del sale, non si terrà conto della garanzia delle scale.
- Sistema di filtrazione: La pompa ha una garanzia di 2 anni (problema elettrico) nelle normali condizioni di uso. La garanzia non comprende: la rottura di pezzi (base della pompa/deposito di terra, copertura del pre-filtro, sportello multi direzionale...), il deterioramento dovuto a una connessione difettosa, l'uso della pompa a secco, il deterioramento per abrasione o corrosione (il sistema di filtrazione deve essere collocato in un luogo fresco e asciutto, al riparo da spruzzi d'acqua).
- Altri componenti: 2 anni

SONO ESCLUSI DALLA GARANZIA:

- Tagli nel liner
- Montaggio e connessione della filtrazione
- Il montaggio
- Il riempimento d'acqua
- Il posizionamento dei bordi
- L'invernaggio
- La manutenzione

SERVIZIO POST VENDITA IN GARANZIA

(Cambio di parte dopo giustificazione visiva)

- Cambio del COMPOSITE previa giustificazione visiva.
- Tempi di sostituzione: 8 giorni lavorativi. Nel caso di sostituzione di un componente difettoso, il montaggio e lo smontaggio non sono a carico di Manufacturas Gré.

GARANZIA:

La garanzia è valida nei paesi membri della Unione Europea, UK e Svizzera.

Gre offre al compratore - a parte dei diritti di garanzia che le corrispondono secondo la legge verso il venditore e senza limitarli - un diritto secondo le condizioni dei seguenti obblighi garantiti per i prodotti nuovi.

**MANUFACTURAS GRE S.A. | ARITZ BIDEA 57,
BELAKO INDUSTRIALDEA | 48100 Mungia (Vizcaya) España
| N° REG. IND.: 48-06762
Made in Europe**

e-mail: gre@gre.es

<http://www.grepool.com>

I pezzi singoli sono disponibili per 5 anni a partire dalla data di fatturazione del prodotto.

INTRODUZIONE

ISTRUZIONI DI SICUREZZA

È obbligatorio collocare il kit di filtrazione (filtro + pompa) a una distanza minima di 3,5 metri dalla piscina per evitare il rischio di scariche elettriche.

È obbligatorio prevedere l'installazione di un dispositivo di protezione differenziale speciale per la piscina nell'alimentazione elettrica della pompa, in conformità a quanto previsto dalla legge. Non lasciare i bambini soli nei pressi della piscina.

Dopo ogni bagno, ritirare la scaletta esterna per evitare cadute accidentali dei bambini degli animali domestici nella piscina (Normativa EN P90-317).

Questa piscina è destinata esclusivamente all'uso familiare. Non è permesso camminare sui bordi né tuffarsi o saltare da essi.

DURATA DELL'INSTALLAZIONE

L'installazione della piscina richiede l'intervento di almeno due persone e sono necessari due giorni (escludendo la preparazione del terreno e il riempimento).

PRIMA DELL'INSTALLAZIONE DELLA PISCINA ASSICURARSI CHE:

- le connessioni elettriche siano effettuate da un tecnico qualificato
- l'approvvigionamento idrico sia sufficiente per riempire la piscina
- aver letto attentamente l'intero manuale, prestando attenzione a tutti i passaggi dell'installazione.

CONSIGLI SUL POSIZIONAMENTO

Preparare il terreno come indicato nel presente manuale nel capitolo «installazione».

NON COLLOCARE LA PISCINA

- Sotto cavi elettrici
- Sotto rami di alberi
- Su un terreno instabile

Un posizionamento corretto fa risparmiare tempo e evita limitazioni. La piscina deve essere in un punto soleggiato e facilmente accessibile.

Lo spazio scelto per la piscina deve essere libero da tubazioni o cavi elettrici.

Si tenga presente che è preferibile montare la piscina in un giorno di sole evitando i giorni con forte vento.

IMBALLAGGIO, CLASSIFICAZIONE E RICICLO

- Alcuni componenti della piscina hanno un imballaggio in plastica. Per evitare il rischio di asfissia, tenere lontano dalla portata dei bambini.
- Grazie per rispettare le norme dell'Unione Europea e per collaborare alla protezione ambientale.

Una volta installata la piscina e aver montato tutti i componenti, ti suggeriamo di dividere e riciclare tutti gli imballaggi.

GARANTIE



Voor iedere claim of after-sales service, uw handleiding met het serienummer tezamen met het aankoopbewijs (factuur, kassabon) gereedhouden.



Elke aanspraak op garantie zal onderwerp zijn van een online declaratie, via de website www.grepool.com/en/after-sales, tezamen met het aankoopbewijs.

Er kunnen foto's worden verlangd ter justificatie. Er worden geen geretourneerde goederen geaccepteerd zonder goedkeuring vooraf. De klant zal verantwoordelijk zijn voor alle kosten bij het retourneren van goederen (verpakking en verzending).

NA VERIFICATIE EN CONTRA-EXPERTISE VAN EEN FABRICAGEFOUT.

- De producten die daadwerkelijk defecten vertonen worden gerepareerd of tegen verzendkosten vervangen
- De producten die buiten de garantie vallen zijn onderhavig aan een raming. Zodra de klant het bedrag heeft geaccepteerd worden de onderdelen verstuurd.

De garantie beperkt zich tot reparatie of vervanging van het defecte onderdeel. In geen geval wordt er een vergoeding gegeven voor geleden schade en ongemakken.

DE GARANTIE IS NIET VAN TOEPASSING IN DE VOLGENDE SITUATIES:

- Gebruik van materialen die niet overeenkomen met onze instructies.
- Schade die is veroorzaakt door verkeerde behandeling of onjuiste installatie.
- Onderhoudsinstructies zijn niet opgevolgd.
- Oneigenlijk of onjuist gebruik van chemische producten.

GARANTIEDUUR EN GARANTIEVOORWAARDEN:

De garantietermijn van het zwembad tegen alle fabricagefouten is 2 jaar. Hiervoor geldt de voorwaarde dat de instructies in de handleidingen die bij het zwembad worden geleverd en die betrekking hebben op de voorbereiding, installatie, gebruik en veiligheid worden nageleefd.

Voor de structuur van het zwembad geldt een garantie tegen verrotting en aantasting door insecten van 5 jaar, vanaf de datum van aankoop. De garantie vervalt in de volgende gevallen:

- Bij gebruik van materialen die niet in overeenstemming zijn met onze instructies
- Bij onjuist gebruik van chemicaliën voor wateronderhoud
- Kleurafwijkingen
- Zelf veroorzaakte schade (breuken en krassen)
- Liner: 2 jaar op de naden en waterdichtheid onder normale gebruiksomstandigheden. Uitgesloten van garantie: winkelhaken, gaten, scheuren, vlekken (producten voor directe waterbehandeling), vlekken die ontstaan door algengroei, vlekken die ontstaan door de decompositie van vreemde lichamen die in contact zijn met de liner, vlekken en verkleuringen ten gevolge van contact met oxidatiemiddelen, kleuronderhoud en slijtage ten gevolge van het vastzetten van het materiaal op verschillende

oppervlakken, vervorming van de liner indien deze meer dan 24 uur zonder water heeft gestaan (maak het zwembad nooit helemaal leeg).

Het is verplicht het etiket te bewaren met het serienummer van de liner dat op het product te vinden is en in de verpakking. Bij alle eventuele verzoeken van aanspraak op de garantie, wordt om een monster van de liner gevraagd.

- Roestvrijstalen trap: 2 jaar. In het geval van filtering door elektrolyse van zout, kan geen aanspraak op de garantie van de trap worden gemaakt.
- Filtergroep: De pomp heeft een garantie van 2 jaar (elektrische problemen) bij normale gebruiksomstandigheden. Uitgesloten van garantie: gebroken onderdelen (voet van de pomp/zandreservoir, cover voorfilter, multidirectionele afsluiter,...) schade ten gevolge van defecte verbinding, gebruik maken van de pomp zonder water, schade als gevolg van slijtage of corrosie (de filtergroep moet zich bevinden op een koele droge plaats, beschermd tegen opspattend water,).
- Andere onderdelen: 2 jaar.

UITGESLOTEN VAN DE GARANTIE:

- De afsnijdingen in de liner
- De montage en de aansluiting van de filtering
- De montage
- Het vullen met water
- De plaatsing van de randen
- Winterklaar maken
- Het onderhoud

AFTER SALES SERVICE MET GARANTIE:

(Deelwisseling na visuele rechtvaardiging)

- Ruilen van COMPOSITE delen na voorafgaande visuele rechtvaardiging.
- Inruiltermijn: 8 werkdagen. Binnen de context van de vervanging van een defect component, geschied het monteren en demonteren niet op rekening van Manufacturas Gré.

GARANTIE:

De garantie is geldig voor alle lidstaten van de Europese Unie en Zwitserland

Gre biedt de koper –naast de rechten op garantie die men volgens de wet heeft tegenover de verkoper en zonder beperking daarop – het recht op nieuwe producten volgens de voorwaarden van de volgende gegarandeerde verplichtingen.

**MANUFACTURAS GRE S.A. | ARITZ BIDEA 57,
BELAKO INDUSTRIALDEA | 48100 Mungia (Vizcaya) España
| N° REG. IND.: 48-06762
Made in Europe**

e-mail: gre@gre.es

<http://www.grepool.com>

Losse onderdelen die gedurende 5 jaar verkrijgbaar zijn gerekend vanaf de aankoopdatum van het product.

WOORWOORD

VEILIGHEIDSINSTRUCTIES

Het is verplicht om de filterkit (filter + pomp) op een minimum afstand van 3,5 meter van het zwembad te plaatsen om het risico van elektrische ontlading te vermijden.

Het is verplicht de elektrische voeding van de pomp te voorzien van een lekkagebeveiliging speciaal voor zwembaden, in overeenstemming met de voorschriften.

Laat kinderen nooit zonder toezicht in de buurt van het zwembad komen.

Na ieder bad, de buitentrap weghalen om te voorkomen dat er per ongeluk kinderen of huisdieren in het zwembad vallen (Norm EN P90-317).

Dit zwembad is uitsluitend bedoeld voor familiegebruik. Het is niet toegestaan om over de randen te lopen noch om er vanaf te duiken of te springen.

DUUR VAN DE INSTALLATIE

Voor de installatie van het zwembad zijn er tenminste twee personen nodig en het werk bedraagt twee dagen (los van de voorbereiding van het terrein en het vullen).

VOOR DE CONSTRUCTIE VAN UW ZWEMBAD VERZEKER U ERVAN

- Dat er een gekwalificeerde persoon is die de elektrische verbindingen kan aanleggen.
- Dat de toevoer van water voldoende is om het zwembad te vullen.
- Dat de handleiding zorgvuldig heeft gelezen, stap voor stap, zodat u de installatie van het zwembad precies begrijpt.

AANBEVELING VOOR PLAATSING

U moet het terrein voorbereiden zoals aangegeven in deze handleiding in het hoofdstuk «installatie».

PLAATS UW ZWEMBAD NIET

- Onder elektriciteitsdraden
- Onder de takken van bomen
- Op een niet gestabiliseerd terrein

Een goede plaatsing zorgt ervoor dat u tijd bespaart en voorkomt beperkingen. Het zwembad moet op een zonnige, makkelijk toegankelijke plaats zijn.

De plaats van het zwembad moet vrij zijn van leidingen of elektrische verbindingen.

Hou er rekening mee dat het beter is om het zwembad op een zonnige dag te monteren en vermijd dagen waarop het hard waait.

VERPAKKING, AFVALSCHEIDING EN RECYCLING

- Enkele componenten van het zwembad zijn verpakt in plastic zakjes. Om verstikkingsgevaar te voorkomen, nooit toestaan dat baby's of kleine kinderen ermee kunnen spelen.
- Dank u voor het respecteren van de normen van de Europese Unie en voor het meewerken aan de bescherming van het milieu.

Wanneer uw zwembad eenmaal is geïnstalleerd en alle componenten gemonteerd zijn, zouden we het op prijs stellen dat u het overgebleven afval scheidt en het verpakkingsmateriaal voor recycling inlevert.

GARANTIA



Para qualquer reclamação ou serviço pós-venda, conserve o seu manual com o número de série, juntamente com o comprovativo de compra (ticket de caixa).



Qualquer reclamação de garantia deverá ser objeto de uma declaração online, no site www.grepool.com/post-venta, juntamente com o comprovativo de compra.

Podem ser requeridas fotografias para justificá-lo. Não será aceite nenhuma devolução de mercadoria sem acordo prévio. O cliente assumirá os custos de todas as devoluções de mercadoria (embalagem e transporte).

APÓS A VERIFICAÇÃO E A CONSTATAÇÃO DE UM DEFEITO DE FABRICO.

- Os produtos que efetivamente apresentem defeitos serão reparados ou substituídos com os portes pagos.
- Os produtos que estejam fora de garantia serão submetidos a um orçamento. Quando o cliente tiver aceite o orçamento, as peças ser-lhe-ão enviadas.

A garantia limita-se à reparação ou à substituição da peça defeituosa. Em nenhum caso, implicará uma ação de indemnização ou de perdas e danos.

A GARANTIA NÃO SERÁ APLICADA NAS SITUAÇÕES SEGUINTE:

- Utilização de materiais não conformes às nossas instruções.
- Danos causados por um manuseamento errado ou por uma instalação não conforme.
- Não foram cumpridas as instruções de manutenção.
- Uso inadequado ou incorreto do produto químico.

DURAÇÃO E CONDIÇÕES DA GARANTIA:

O período de garantia da piscina contra os defeitos de fabrico é de 2 anos. O requisito prévio para isto é que as instruções do manual relativas à preparação, instalação, uso e segurança, incluído com a piscina, sejam cumpridas.

A estrutura da piscina dispõe de uma garantia de 5 anos a contar desde a data de compra, contra apodrecimento e arque de insetos. A garantia não será válida nos seguintes casos:

- Utilização de materiais que não estejam em conformidade com as instruções do fabricante
- Utilização incorreta de produtos químicos para a manutenção da água
- Variações de cor
- Danos provocados (rugas e riscos)
- Liner: 2 anos para as costuras e a estanqueidade numas condições de uso normal. Não entram na garantia: os rasgões, os buracos, as roturas, as manchas (produtos de tratamento diretamente na água), as manchas vinculadas ao crescimento de algas, as manchas relacionadas com a decomposição de corpos estranhos em contacto com o liner, as manchas e as decolorações resultantes da ação dos produtos oxidantes, a manutenção da cor e o desgaste devidos à fricção do material sobre diversas

superfícies, a deformação do liner que foi deixado mais de 24 horas sem água (nunca esvazie a piscina por completo). É obrigatório guardar a etiqueta com o número de série do liner presente no produto e na sua embalagem. Para qualquer eventual requerimento de concessão de garantia, uma amostra do liner será exigida.

- Escada inoxidável: 2 anos. Em caso de uma filtração por eletrólise de sal, a garantia da escada não poderá ser tida em conta.
- Grupo de filtração: a bomba tem uma garantia de 2 anos (problema elétrico) em condições normais de utilização. Não entram na garantia: a rotura de peças (base da bomba/depósito de areia, cobertura do pré-filtro, válvula multidirecional...), a deterioração devida a uma conexão defeituosa, o uso da bomba a seco, a deterioração por abrasão ou por corrosão (o grupo de filtração deve ser colocado num local fresco e seco, resguardado de salpicos de água).
- Outros componentes: 2 anos.

SÃO EXCLUÍDOS DA GARANTIA:

- Os cortes no liner
- A montagem e a conexão da filtração
- A ensambladura
- O enchimento de água
- A colocação dos bordos
- A hibernação
- A manutenção

SERVIÇO PÓS-VENDA EM GARANTIA:

(Mudança de peça após justificação visual)

- Mudança de COMPOSITE após comprovação visual.
- Prazo de substituição: 8 dias úteis. No contexto da substituição de um componente defeituoso, a montagem e a desmontagem não correm por conta da Manufacturas Gre.

SERVIÇO PÓS-VENDA SEM GARANTIA:

A garantia é válida nos países membros da UE, UK e na Suíça. A Gre oferece ao comprador – além dos direitos de garantia que lhe correspondem por lei perante o vendedor e sem limitá-los – um direito de acordo às condições das seguintes obrigações garantidas para produtos novos.

MANUFACTURAS GRE S.A. | ARITZ BIDEA 57,
BELAKO INDUSTRIALDEA | 48100 Mungia (Vizcaya) España
| Nº REG. IND.: 48-06762
Made in Europe

e-mail: gre@gre.es

<http://www.grepool.com>

Peças avulsas disponíveis durante 5 anos a contar da data de faturação do produto.

PRELIMINAR

INSTRUÇÕES DE SEGURANÇA

É obrigatório colocar o kit de filtração (filtro + bomba) a uma distância mínima de 3,5 metros da piscina para evitar o risco de descarga elétrica.

É obrigatório prever a instalação de um dispositivo de proteção diferencial especial para piscinas na alimentação elétrica da bomba, nos termos do regulamento.

Nunca deixe as crianças sem vigilância perto da piscina.

Depois de cada banho, retire a escada exterior visando evitar as quedas acidentais à piscina das crianças ou dos animais de estimação (Norma EN P90-317).

Esta piscina está destinada a uma utilização exclusivamente familiar. Não é permitido caminhar sobre os bordos nem mergulhar ou saltar a partir deles.

DURAÇÃO DA INSTALAÇÃO

A instalação da piscina precisa da intervenção de pelo menos duas pessoas e demora dois dias (para além da preparação do terreno e do enchimento).

ANTES DA CONSTRUÇÃO DA PISCINA CERTIFIQUE-SE

- De que é uma pessoa qualificada quem efetua as ligações elétricas.
- De que o fornecimento de água é suficiente para encher a piscina.
- De que leu o manual minuciosamente, passo a passo, para compreender adequadamente a instalação da piscina.

CONSELHO DE COLOCAÇÃO

Deve preparar o terreno como indicado neste manual no capítulo «Instalação».

NÃO COLOQUE A SUA PISCINA

- Sob redes de eletricidade
- Sob ramagem de árvores
- Sobre um terreno não estabilizado

Uma boa localização permite poupar tempo e evita limitações. A piscina deve estar num lugar soalheiro e facilmente acessível.

A localização da piscina deve estar isenta de tubagens ou de ligações elétricas.

Tenha em conta que é preferível montar a piscina num dia soalheiro e evitar os dias com muito vento.

EMBALAGEM, CLASSIFICAÇÃO E RECICLAGEM

- Alguns componentes da piscina estão embalados em sacos de plástico. Para evitar qualquer risco de asfixia, nunca permita que os bebés ou as crianças brinquem com eles.
- Obrigados por respeitar as normas da União Europeia e por colaborar na proteção do ambiente.

Quando tenha instalado a sua piscina e estejam todos os componentes unidos, agradecemos que classifique e recicle todas as embalagens.



- EN SAFETY PRECAUTIONS
- ES CONSEJOS DE SEGURIDAD
- FR CONSEILS DE SECURITE
- DE SICHERHEITSHINWEIS
- IT CONSIGLI DI SICUREZZA
- NL RAADGEVINGEN VOOR DE VEILIGHEID
- PT PLANO DE INSTALAÇÃO

Carefully read, understand, and follow all information in this user manual before installing and using the swimming pool.

These warnings, instructions, and safety guidelines address some common risks of water recreation, but they cannot cover all risks and dangers in all cases. Always be cautious, common sense, and good judgment when enjoying any water activity. Retain this information for future use.

Non Swimmers safety

Continuous, active, and vigilant supervision of weak swimmers and non-swimmers by a competent adult is required at all times (remembering that children under five are at the highest risk of drowning).

- Designate a competent adult to supervise the pool each time it is being used.
- Weak swimmers or non-swimmers should wear personal protection equipment when using the pool.
- When the pool is not in use, or unsupervised, remove all toys from the swimming pool and its surrounding to avoid attracting children to the pool.

Safety devices

- It is recommended to install a barrier (and secure all doors and windows, where applicable) to prevent unauthorized access to the swimming pool.
- Barriers, pool covers, pool alarms, or similar safety devices are helpful aids, but they are not substitutes for continuous and competent adult supervision.

Safety equipment

- It is recommended to keep rescue equipment (e.g. a ring buoy) by the pool.
- Keep a working phone and a list of emergency phone numbers near the pool.

Safe use of the pool

- Encourage all users especially children to learn how to swim
- Learn Basic Life Support (Cardiopulmonary Resuscitation - CPR) and refresh this knowledge regularly. This can make a life-saving difference in the event of an emergency.
- Instruct all pool users, including children, what to do in case of an emergency
- Never dive into any shallow body of water. This can lead to serious injury or death.
- Do not use the swimming pool when drinking alcohol or using medication that may impair your ability to safely use the pool.
- When pool covers are used, remove them completely from the water surface before entering the pool.
- Protect pool occupants from water related illnesses by keeping the pool water treated and practicing good hygiene. Consult the water treatment guidelines in the user's manual.
- Store chemicals (e.g. water treatment, cleaning or disinfection products) out of the reach of children.
- Signage is to be displayed in a prominent position within 2 m of the pool.
- Removable ladders shall be placed on a horizontal surface.

WARNING:

Every electrical appliance fed in 220 V, has to be located at least at 3,50 m from the edge of the pool. The equipment should be connected to a voltage, with earth connection, protected by a residual current device (RCD) having a rated residual operating current not exceeding 30 mA.

IF YOU HAVE ANY PROBLEM CONTACT US!

web: www.grepool.com/en/aftersales

Antes de instalar y de utilizar la piscina, lea atentamente la información recogida en el presente manual, asimílela y cúmplala. Los anuncios, las instrucciones y las consignas de seguridad hacen referencia a algunos de los riesgos más habituales relativos al ocio en el agua, pero no cubren la totalidad de riesgos y peligros que se pueden presentar. Tenga prudencia, sentido crítico y sentido común al practicar actividades acuáticas. Guarde esta información para poderla consultar posteriormente.

Seguridad de quienes no saben nadar:

Siempre se necesita la vigilancia atenta, activa y continua por parte de un adulto responsable sobre los niños que no saben nadar o no lo hacen bien (tenga en cuenta que el riesgo de ahogo más elevado lo presentan los menores de cinco años).

- Procure que un adulto responsable vigile la piscina cada vez que se utiliza.
- Resulta conveniente que los niños que no saben nadar o no lo hacen bien cuenten con equipos de protección individual cuando utilicen la piscina.
- Cuando no se utilice la piscina o esta se encuentre sin vigilancia saque todos los juguetes de ella para evitar que los niños se acerquen a ella.

Dispositivos de seguridad

- Es recomendable instalar una barrera (y, en su caso, instalar elementos de seguridad en puertas y ventanas) para evitar cualquier acceso no permitido a la piscina.
- Las barreras, las cubiertas, las alarmas para piscinas o los dispositivos de seguridad análogos resultan útiles pero no sustituyen la vigilancia continua por parte de un adulto responsable.

Equipamiento de seguridad

- Se recomienda disponer de material de salvamento (una boya, por ejemplo) cerca de la piscina.
- Tenga un teléfono en perfecto estado y un listado de números de urgencias cerca de la piscina.

Uso seguro de la piscina

- Anime a todos los usuarios, en especial a los niños, a aprender a nadar.
- Aprenda técnicas de salvamento (reanimación cardiopulmonar) y actualice periódicamente sus conocimientos. Estos gestos pueden salvar una vida en una urgencia.
- Explique a los usuarios de la piscina, también a los niños, qué procedimiento deben seguir en caso de urgencia.
- Nunca se tire a piscinas poco profundas, dado que puede sufrir lesiones graves o mortales.
- No utilice la piscina tras haber ingerido alcohol o medicamentos susceptibles de reducir su capacidad de hacerlos en condiciones de total seguridad.
- Si la piscina está tapada por una cubierta, retirela completamente de la superficie de agua antes de entrar.
- Trate el agua de su piscina y establezca buenas prácticas de higiene para proteger a los usuarios de enfermedades relacionadas con el agua. Consulte cómo tratar el agua en el manual de instrucciones.
- Mantenga fuera del alcance de los niños los productos químicos (productos de tratamiento del agua, de limpieza o de desinfección, por ejemplo).
- Es obligatorio colocar los pictogramas incluidos en una posición visible a menos de 2 m de la piscina.
- Coloque las escaleras móviles en una superficie horizontal.

ATENCIÓN:

Todo aparato alimentado en 220 V, debe situarse por lo menos a 3,50 m del borde de la piscina. El equipo se debe conectar a una toma de corriente, con conexión a tierra, protegida con un interruptor diferencial (RCD) con una corriente de funcionamiento residual asignada que no exceda de 30 mA..

SI TIENE ALGÚN PROBLEMA, ...CONSÚLTENOS!
SERVICIOS TÉCNICOS EN ESPAÑA:

link web >inicio > servicios > servicio técnico > españa

web: www.grepool.com/postventa

Avant d'installer et d'utiliser, la piscine, veuillez lire attentivement, assimiler et respecter toutes les informations contenues dans cette notice d'utilisation. Ces avertissements, instructions et consignes de sécurité portent sur certains des risques usuels associés aux loisirs aquatiques, mais ils ne peuvent pas couvrir la totalité des risques et dangers dans tous les cas. Faites toujours preuve de prudence, de discernement et de bon sens lors des activités aquatiques. Conservez ces informations afin de pouvoir vous y référer ultérieurement.

Sécurité des non-nageurs

Une surveillance attentive, active et continue par un adulte compétent des enfants qui ne savent pas bien nager et des non-nageurs est requise en permanence (en gardant à l'esprit que le risque de noyade est le plus élevé pour les enfants de moins de cinq ans).

- Désignez un adulte compétent pour surveiller le bassin à chaque fois qu'il est utilisé.
- Il convient que les enfants qui ne savent pas bien nager ou les non-nageurs portent des équipements de protection individuelle lorsqu'ils utilisent la piscine.
- Lorsque le bassin n'est pas utilisé ou est sans surveillance, retirez tous les jouets de la piscine et ses abords afin de ne pas attirer les enfants vers le bassin.

Dispositifs de sécurité

- Il est recommandé d'installer une barrière (et de sécuriser toutes les portes et fenêtres, le cas échéant) afin d'empêcher tout accès non autorisé à la piscine.
- Les barrières, couvertures, alarmes de piscines ou dispositifs de sécurité similaires sont des aides utiles, mais ils ne remplacent pas la surveillance continue par un adulte compétent.

Équipements de sécurité

- Il est recommandé de garder du matériel de sauvetage (une bouée, par exemple) près du bassin.
- Gardez un téléphone en parfait état de marche et une liste de numéros d'urgence à proximité du bassin.

Sécurité d'emploi de la piscine

- Incitez tous les utilisateurs, en particulier les enfants, à apprendre à nager.
- Apprenez les gestes qui sauvent (réanimation cardiopulmonaire) et remettez régulièrement à jour vos connaissances. Ces gestes peuvent sauver une vie en cas d'urgence.
- Expliquez aux utilisateurs de la piscine, enfants inclus, la procédure à suivre en cas d'urgence.
- Ne plongez jamais dans un plan d'eau peu profond, sous peine de blessures graves ou mortelles.
- N'utilisez pas la piscine sous l'emprise d'alcool ou de médicaments susceptibles de réduire votre capacité à utiliser la piscine en toute sécurité.
- Si la piscine est recouverte d'une couverture, retirez-la entièrement de la surface de l'eau avant d'entrer dans le bassin.
- Traitez l'eau de votre piscine et instaurer de bonnes pratiques d'hygiène afin de protéger les utilisateurs des maladies liées à l'eau. Consultez les consignes de traitement de l'eau données dans la notice d'utilisation.
- Stockez les produits chimiques (produits de traitement de l'eau, de nettoyage ou de désinfection, par exemple) hors de portée des enfants.
- Il est obligatoire d'afficher les pictogrammes fournis dans une position visible à moins de 2 m de la piscine.
- Placez les échelles amovibles sur une surface horizontale.

ATTENTION:

Tout appareil électrique alimenté en 220 V doit être situé au moins à 3,50 m du bord du bassin. L'appareil doit être branché sur une prise de courant avec prise de terre, protégé par un interrupteur différentiel (RCD) avec un courant de fonctionnement résiduel assigné qui n'exécède pas 30 mA.

EN CAS DE PROBLEME... NOUS CONSULTER!
SERVICE APRES VENTE:

web: www.grepool.com/fr/apres-vente



Vor Einbau und Nutzung des Pools bitte aufmerksam in diesem Handbuch aufgeführten Informationen lesen, verinnerlichen und einhalten. Die Sicherheitshinweise und -vorschriften beziehen sich auf einige der am häufigsten auftretenden Risiken in Zusammenhang mit Freizeit im Wasser, sie umfassen jedoch nicht alle Risiken und Gefahren, die auftreten können. Seien Sie vorsichtig, handeln Sie kritisch und mit gesundem Menschenverstand, wenn Sie sich im Wasser aufhalten. Bewahren Sie diese Informationen gut auf, um später darauf zurückgreifen zu können.

Die Sicherheit der Menschen, die nicht schwimmen können:

- Eine aufmerksame, aktive und kontinuierliche Überwachung der Kinder, die nicht oder noch nicht gut schwimmen können durch einen dafür zuständigen Erwachsenen ist stets erforderlich (bitte bedenken Sie, dass bei Kindern unter fünf Jahren das höchste Risiko zu ertrinken auftritt).
- Sorgen Sie dafür, dass ein dafür zuständiger Erwachsener den Pool stets überwacht, wenn dieser genutzt wird.
- Zweckmäßig ist, dass Kinder, die nicht oder noch nicht gut schwimmen können, bei der Benutzung des Pools eine eigene Schutzausrüstung tragen.
- Wenn der Pool nicht genutzt oder nicht überwacht wird, entfernen Sie alle Spielsachen daraus, um zu verhindern, dass sich die Kinder dem Pool nähern.

Sicherheitsvorrichtungen

- Es ist empfehlenswert, eine Sperre anzubringen (und in diesem Fall Sicherheitselemente an Türen und Fenstern anzubringen), um einen etwaigen nicht erlaubten Zugang zum Pool zu verhindern.
- Sperren, Abdeckungen, Alarmer für Pools oder analoge Sicherheitsvorrichtungen sind hilfreich, ersetzen jedoch nicht die ununterbrochene Überwachung durch einen dafür zuständigen Erwachsenen.

Sicherheitsausrüstung

- Es wird empfohlen, eine Rettungsausrüstung (beispielsweise eine Boje) nahe dem Pool zur Hand zu haben.
- Halten Sie am Pool ein einwandfrei funktionierendes Telefon und eine Liste mit den Notrufnummern bereit.

Sichere Nutzung des Pools

- Regen Sie alle Benutzer, vor allem Kinder, dazu an, schwimmen zu lernen.
- Erlernen Sie Rettungsmethoden (Herz-Lungen-Wiederbelebung) und bringen Sie Ihre Kenntnisse regelmäßig auf den neuesten Stand. Diese Handgriffe können im Notfall Leben retten.
- Erklären Sie den Nutzern des Pools, auch den Kindern, welche Vorgehensweise diese im Notfall zu befolgen haben.
- Springen Sie nie in flache Becken, da Sie dabei ernste oder sogar tödliche Verletzungen erleiden können.
- Nutzen Sie den Pool nicht nach dem Konsum von Alkohol oder der Einnahme von Medikamenten, bei denen die Gefahr besteht, dass Sie den Pool nicht in absoluter Sicherheit nutzen können.
- Ist der Pool mit einer Abdeckung bedeckt, entfernen Sie diese vor Betreten des Beckens vollständig.
- Bereiten Sie das Wasser Ihres Pools auf und legen Sie anerkannte Hygienemaßnahmen fest, um die Nutzer vor wasserbedingten Krankheiten zu schützen. Bitte entnehmen Sie dem Handbuch, wie man das Wasser richtig aufbereitet.
- Bewahren Sie chemische Produkte (beispielsweise Produkte zur Wasseraufbereitung, Reinigung oder Desinfektion) außerhalb der Reichweite von Kindern auf.
- Die beiliegenden Piktogramme müssen an einer gut sichtbaren Stelle weniger als 2 Meter vom Pool entfernt angebracht werden.
- Befestigen Sie die bewegliche Treppe an einer horizontalen Oberfläche.

WICHTIGER HINWEIS:

220 V-Geräte müssen mindestens 3,50 m von Schwimmbadrand entfernt liegen. Das Gerät muss an einen Wechselstromanschluß mit Erdung angeschlossen werden. Dieser muss durch ein Differential (RCD) mit höchstens 30 mA gesichert sein.

BEI PROBLEMEN KÖNNEN SIE SICH MIT UNS UNTER DER FOLGENDEN DEUTSCHEN TELEFONNUMMER IN VERBINDUNG SETZEN: Germany & Austria

Freie nummer: 0 800-952 49 72 e-mail: info-germany@gre.es

web: www.grepool.com/de/kundenservice

Prima di installare e utilizzare la piscina si prega di leggere attentamente le informazioni contenute in questo manuale, avendo cura di comprenderle e rispettarle. Gli avvisi, le istruzioni e le indicazioni sulla sicurezza si riferiscono ad alcuni dei rischi più comuni relativi all'utilizzo della piscina, ma non coprono la totalità dei rischi e dei pericoli che possono verificarsi. Occorre essere prudenti, avere senso critico e comune buonsenso nella pratica delle attività acquatiche. Conservare queste informazioni per successive consultazioni.

Precauzioni di sicurezza per le persone che non sanno nuotare:

- È necessario mantenere una vigilanza attenta, attiva e continuativa da parte di un adulto responsabile dei bambini che non sanno nuotare o non lo sanno fare bene (occorre essere prudenti, avere senso critico e comune buonsenso nella pratica delle attività acquatiche. Conservare queste informazioni per successive consultazioni).
- Garantire la vigilanza da parte di un adulto responsabile ogniqualvolta si utilizza la piscina.
- È auspicabile che i bambini che non sanno nuotare o non nuotano bene utilizzino dei dispositivi di protezione individuale quando entrano in piscina.
- Quando la piscina non viene utilizzata o non è sorvegliata, rimuovere tutti i giocattoli per evitare che i bambini si avvicinino incautamente.

Sistemi di sicurezza

- Si consiglia di installare una barriera (e, se necessario, elementi di sicurezza sulle porte e sulle finestre dell'abitazione) per impedire qualsiasi accesso non autorizzato alla piscina.
- Le barriere, le coperture, gli allarmi per piscine o i dispositivi di sicurezza analoghi sono utili, ma non sostituiscono la vigilanza permanente da parte di un adulto responsabile.

Dispositivi di sicurezza

- Si raccomanda l'utilizzo di dispositivi di salvataggio (ad esempio un salvagente) vicino alla piscina.
- Disporre, nei pressi della piscina, di un telefono perfettamente funzionante e di un elenco dei numeri di emergenza.

Utilizzo sicuro della piscina

- Incoraggiare tutti gli utilizzatori, soprattutto i bambini, a imparare a nuotare.
- Imparare le tecniche di salvataggio (rianimazione cardiopolmonare) e aggiornare periodicamente le proprie conoscenze. Questi gesti, in caso di emergenza, possono salvare una vita.
- Spiegare agli utilizzatori della piscina, anche ai bambini, la procedura da seguire in caso di emergenza.
- Non tuffarsi mai in piscine poco profonde, in quanto ciò può provocare lesioni gravi o mortali.
- Non utilizzare la piscina dopo aver assunto alcol o farmaci che possono ridurre la capacità di farlo in tutta sicurezza.
- Se la piscina è dotata di una copertura, rimuoverla completamente l'acqua presente sulla superficie prima di entrare.
- Trattare l'acqua della piscina e impostare pratiche di igiene corrette per proteggere gli utilizzatori da malattie legate all'acqua. Consultare le informazioni sul trattamento dell'acqua presenti nel manuale di istruzioni.
- Tenere lontano dalla portata dei bambini i prodotti chimici (ad esempio i prodotti per il trattamento dell'acqua, la pulizia e la disinfezione).
- È necessario posizionare i dispositivi di segnalazione forniti insieme alla piscina in posizione ben visibile, a meno di 2 m di distanza dalla piscina.
- Posizionare le scalette mobili su una superficie orizzontale.

ATTENZIONE:

Ogni apparecchio alimentato a 220V, deve essere situato ad almeno 3,50 m del bordo della piscina. L'attrezzatura va collegata ad una presa di tensione di corrente alterna, con una connessione a terra, protetta con un interruttore differenziali (RCD) con una corrente di funzionamento residuale assegnata che non ecceda i 30 mA.

PER OGNI VOSTRA EVENTUALE OCCORRENZA,...INTERPELLATE-TECI !

SERVIZIO TECNICO IN ITALIA:

link web > inizio > servizi > servizio tecnico > italia

web: www.grepool.com/it/post-vendita

Voor het installeren en in gebruik nemen van het zwembad, dient u de informatie die in deze handleiding is vervat aandachtig door te lezen, goed in u op te nemen en na te leven. De mededelingen, instructies en de aanbevelingen betreffende de veiligheid hebben betrekking op enkele van de meest voorkomende risico's die bestaan bij vrijetijdsbesteding in het water; deze beslaan echter niet alle risico's en gevaren die zich zouden kunnen voordoen. Wees voorzichtig en kritisch, en gebruik vooral uw gezonde verstand bij het beoefenen van activiteiten in het water. Bewaar deze informatie zodat u alles op een later moment nog eens kunt nalezen.

Veiligheid van personen die niet kunnen zwemmen:

- Er moet altijd een verantwoordelijke volwassene aanwezig zijn die alert, actief en voortdurend toezicht houdt, met name op kinderen die niet kunnen zwemmen of die dat nog niet goed kunnen (houd er rekening mee dat het risico op verdrinking het hoogst is onder kinderen jonger dan vijf jaar).
- Zorg ervoor dat er steeds een verantwoordelijke volwassene aanwezig is die toezicht houdt op het zwembad, iedere keer dat het wordt gebruikt.
- Het is wenselijk dat kinderen die niet kunnen zwemmen of die dat nog niet goed kunnen beschikken over persoonlijke beschermingsmiddelen wanneer ze gebruikmaken van het zwembad.
- Wanneer het zwembad niet wordt gebruikt of wanneer er geen toezicht aanwezig is, alle speelgoed eruit halen om te voorkomen dat kinderen zich in de buurt ervan begeven.

Veiligheidsvoorzieningen

- Het is aanbevolen om een barrière te installeren (En, indien nodig, veiligheidselementen te installeren in deuren en ramen) om onbevoegde toegang tot het zwembad te voorkomen.
- Barrières, afdekzeilen, zwembadalarmen of vergelijkbare veiligheidsvoorzieningen zijn nuttig, maar vormen géén vervanging voor de voortdurende controle door een verantwoordelijke volwassene.

Veiligheidsvoorzieningen

- Het is aanbevolen om reddingsmateriaal (bijvoorbeeld, een reddingsboei) paraat te hebben vlakbij het zwembad.
- Zorg ervoor dat er een goed werkende telefoon en een lijst met telefoonnummers van hulpdiensten voorhanden zijn in de buurt van het zwembad.

Veilig gebruik van het zwembad

- Moedig alle gebruikers aan, vooral kinderen, om zwemles te nemen.
- Leer reddingstechnieken (m.n. cardiopulmonaire reanimatie) en werk uw kennis regelmatig bij. Deze technieken kunnen een leven redden in geval van nood.
- Leg aan alle gebruikers van het zwembad uit, óók aan kinderen, welke procedures ze moeten volgen in noodgevallen.
- Duik nooit in een ondiep zwembad daar dit ernstig of dodelijk letsel tot gevolg kan hebben.
- Maak geen gebruik van het zwembad nadat u alcohol, drugs of medicijnen heeft gebruikt die uw vermogen of bewustzijn beïnvloeden om dat in een geheel veilige toestand te kunnen doen.
- Indien het zwembad is afgedekt door afdekzeil, dient u het volledig van het wateroppervlak weg te halen alvorens het bad te betreden.
- Behandel het water van uw zwembaden en houd er goede hygiënische praktijken op na om gebruikers tegen watergerelateerde ziekten beschermen. Kijk na hoe u het water moet behandelen in de gebruiksaanwijzing.
- Houd chemische producten (bijvoorbeeld: producten voor waterbehandeling, voor schoonmaak of om te desinfecteren) buiten het bereik van kinderen.
- Het is verplicht om de bijgeleverde pictogrammen op een zichtbare plek op minder dan 2 meter van het zwembad te plaatsen.
- Plaats de verplaatsbare trappen op een horizontaal terrein.

BELANGRIJK:

Alle apparaten die gevoed worden met 220 V, dienen zich op z'n minst op een afstand van 3,50 meter van de rand het zwembad te bevinden. Het toestel moet aangesloten op een geaard netwerk met een wisselstroomspanning van 230 V en 50 Hz, en moet beschermd zijn door een differentieelstroomkelaar (RCD) met een residuale differentieelstroom van niet meer dan 30 mA.

MOCHT U EEN PROBLEEM HEBBEN... ¡RAADPLEEG ONS!

web: www.grepool.com/en/after-sales

Antes de instalar e de utilizar a piscina, leia atentamente a informação incluída neste manual, assimile-a e cumpra-a. Os anúncios, as instruções e as ordens de segurança dizem respeito a alguns dos riscos mais habituais relativos ao lazer na água, mas não cobrem a totalidade dos riscos e perigos que podem surgir. Seja prudente e tenha senso crítico e senso comum quando praticar atividades aquáticas. Guarde esta informação para posteriores consultas.

Segurança de quem não sabem nadar:

- Sempre é necessária a vigilância atenta, ativa e contínua por parte de um adulto responsável sobre as crianças que não sabem nadar ou que não o fazem bem (tenha em conta que o risco de afogamento mais elevado é o que atinge as crianças de menos de cinco anos).
- Tente que um adulto responsável vigile a piscina sempre que é utilizada.
- É conveniente que as crianças que não sabem nadar ou que não o fazem bem contem com equipamentos de proteção individual quando utilizem a piscina.
- Quando a piscina não seja utilizada ou se encontre sem vigilância, deve retirar todos os brinquedos dela a fim de evitar que as crianças se aproximem dela.

Dispositivos de segurança

- É recomendável instalar uma barreira (e, se for caso disso, instalar elementos de segurança em portas e janelas) a fim de evitar qualquer acesso não autorizado à piscina.
- As barreiras, as coberturas, os alarmes para piscinas ou os dispositivos de segurança análogos, são úteis, mas não substituem a vigilância contínua por parte de um adulto responsável.

Equipamento de segurança

- É recomendado dispor de material de salvamento (uma boia, por exemplo) perto da piscina.
- Tenha um telefone em perfeito estado e uma listagem de números de emergências perto da piscina.

Uso seguro da piscina

- Encoraje todos os usuários, especialmente as crianças, a aprender a nadar.
- Aprenda técnicas de salvamento (reanimação cardiopulmonar) e atualize periodicamente os seus conhecimentos. Isto pode salvar uma vida numa emergência.
- Explique aos usuários da piscina - também às crianças - o procedimento que devem seguir em caso de urgência.
- Nunca mergulhe em piscinas pouco profundas, dado que pode sofrer lesões graves ou mortais.
- Não utilize a piscina após ter ingerido álcool ou medicamentos suscetíveis de reduzir a sua capacidade de o fazer em condições de segurança total.
- Se a piscina estiver tapada por uma cobertura, deverá retirá-la completamente da superfície da água antes de entrar.
- Trate a água da sua piscina e estabeleça boas práticas de higiene para proteger os usuários de doenças relacionadas com a água. Consulte como tratar a água no manual de instruções.
- Mantenha fora do alcance das crianças os produtos químicos (produtos de tratamento da água, de limpeza ou de desinfecção, por exemplo).
- É obrigatório colocar os pictogramas incluídos numa posição visível a menos de 2 m da piscina.
- Coloque as escadas móveis sobre uma superfície horizontal.

ATENÇÃO:

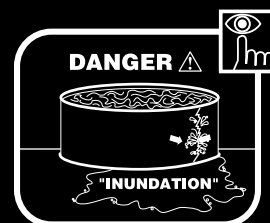
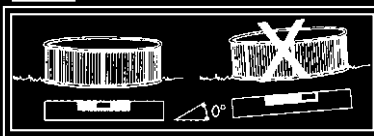
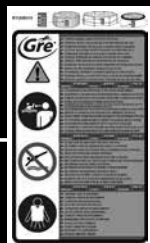
Qualquer aparelho eléctrico alimentado com 220 V, deve estar situado pelo menos a 3,50 m do borde da piscina. O aparelho deve ser ligado a uma tomada de corrente alterna, com ligação à terra, protegida com um interruptor diferencial (RCD) com uma corrente de funcionamento residual que não exceda os 30 mA.

EM CASO DE PROBLEMA...¡CONSULTAR-NOS!

SERVIÇOS TÉCNICO EM PORTUGAL:

link web > inicio > serviço > serviço técnico > portugal

web: www.grepool.com/post-venta



EN

COMPONENTS

Draw and classify all components included before assembly. It's time to assemble the ladder and the pump, follow the respective instructions. Kits with missing parts will be covered by the warranty only if reported to the after-sales service within 15 days as from the date of purchase of the swimming pool. **In order to avoid any possible injury all swimming pool walking entrance must be regularly checked.**

ES

COMPONENTES

Saque y clasifique los componentes de la piscina antes de iniciar el montaje. Además es el momento de montar la escalera y la depuradora (vea sus respectivas instrucciones de montaje). La falta de piezas en el kit debe de ser informada al servicio postventa en un plazo máximo de 15 días desde la fecha de compra de la piscina, en caso contrario no estará cubierto por la garantía. **Sin tener en cuenta los materiales usados para la construcción de la piscina, las superficies accesibles tienen que ser revisadas regularmente para evitar lesiones.**

FR

ELEMENTS

Avant de commencer le montage prenez et séparez les différents éléments qui constituent votre piscine. De même procédez au montage de l'échelle et de l'épurateur (suivre leurs instructions d'installation et d'utilisation). Il faut signaler au service après-vente si le kit est incomplet (pièces manquantes), et ce, dans un délai maximum de 15 jours à partir de la date d'achat de la piscine. Si cette condition n'est pas respectée, la garantie ne sera pas valide. **Quels que soient les matériaux utilisés pour la construction de la piscine, les surfaces accessibles doivent être régulièrement contrôlées afin d'éviter les blessures.**

DE

BESTANDTEILE

Bestandteile vor dem Aufbau des Schwimmbeckens überprüfen und einordnen. Wenn Sie einen KIT erworben haben, bauen sie jetzt die Leiter und Filteranlage ein. (Beachten Sie die Montageanweisungen). Spätestens 15 Tage nach dem Pool-Kaufdatum ist der Mangel an Kit-Bestandteilen dem Kundendienst mitgeteilt zu werden. Andernfalls wird die Garantie unwirksam. **Ungeachtet der Materialien, die beim Bau von Pools eingesetzt werden, müssen zugängliche Oberflächen regelmäßig überprüft werden, um Verletzungen zu vermeiden.**

IT

COMPONENTI

Estrarre e classificare i componenti della piscina prima di provvedere al montaggio della stessa. Allora è il momento di montare la scala e il depuratore (vedere le relative istruzioni per il montaggio). La mancanza dei pezzi nel kit deve essere informata al servizio post-vendita entro un massimo di 15 giorni dalla data dell'acquisto della piscina; in altro caso la garanzia non coprirà la mancanza. **Indipendentemente dai materiali utilizzati per la costruzione della piscina, le superfici accessibili devono essere sottoposte a controllo periodico per evitare il rischio di lesioni.**

NL

ONDERDELEN

Pak eerst de onderdelen van het zwembad uit en sorteer deze alvorens met de montage te beginnen. Is dit het moment om de trap en de zuiveringsinstallatie te monteren (zie de respectievelijke instructies voor de montage daarvan). Het gebrek aan onderdelen in de kit moet maximaal binnen 15 dagen vanaf de datum van aankoop van het zwembad worden medegedeeld aan de service na aankoop; in het tegenovergestelde geval zal het gemis niet door de garantie worden gedekt. **Ongeacht welke materialen er worden gebruikt voor de aanleg van het zwembad, moeten de toegankelijke oppervlakten regelmatig worden geïnspecteerd om eventueel letsel te voorkomen.**

PT

COMPONENTES

Tirar os componentes da piscina e classificá-los antes de começar a montagem. Monte durante esse tempo a escada e o equipamento de depuração (ver instruções de montagem respectivas). A falta de peças no kit deve ser informada ao serviço pós venda num prazo máximo de 15 dias desde a data de compra da piscina, caso contrário não estará coberto pela garantia. **Sem ter em conta os materiais utilizados para a construção da piscina, as superfícies acessíveis devem ser inspeccionadas regularmente a fim de evitar lesões.**

EN

COMPONENTS

ES

COMPONENTES

FR

ELEMENTS

DE

BESTANDTEILE

IT

COMPONENTI

NL

ONDERDELEN

PT

COMPONENTES

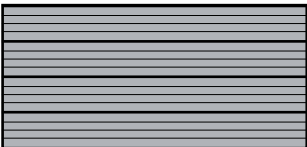
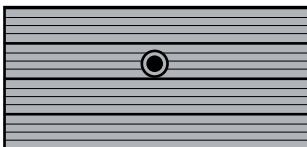
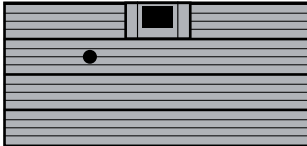
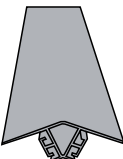
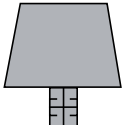
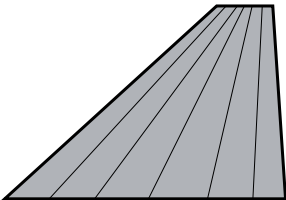
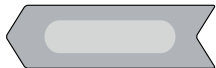

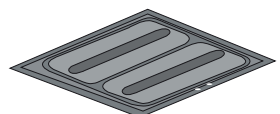
PEBP08 (KITENV)


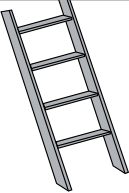
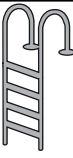
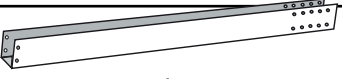
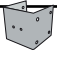
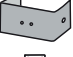
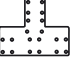
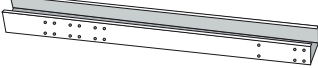
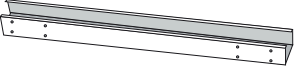
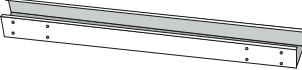
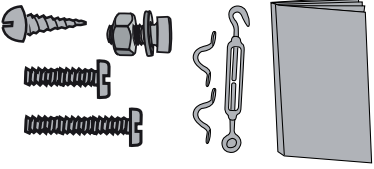
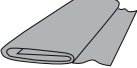

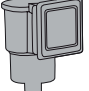
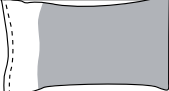

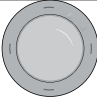


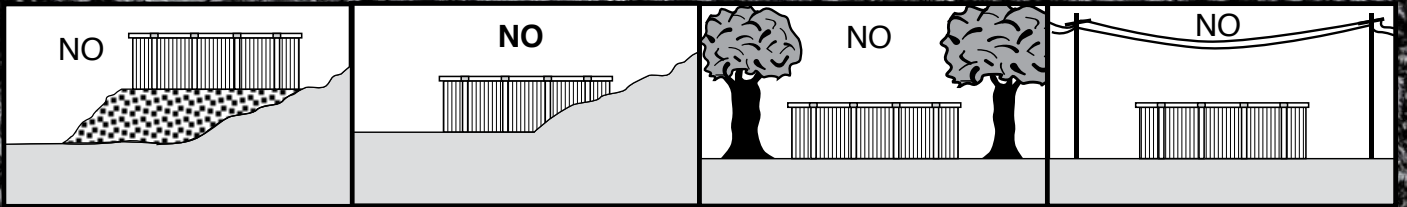
La pieza PEBP08 no se utiliza para el montaje de las piscinas de este manual

PEBP08 component is not necessary to assembly this instruction manuals references

- EN** Locate the model of your swimming pool in the following table and verify that the number of UNITS within each box or container matches this table (*for the kits).
- ES** Busque el modelo de su piscina en la siguiente tabla y verifique que el número de UNIDADES dentro de cada caja o envase coincide con esta tabla (*para los kits).
- FR** Cherchez le modèle de votre piscine sur le tableau suivant et vérifiez que le nombre d'UNITÉS dans la boîte ou emballage coïncide avec ce tableau (*pour les kits).
- DE** Suchen Sie in folgender Tabelle das Modell Ihres Pools und überprüfen Sie, ob die STÜCKZAHL in der jeweiligen Kiste oder in dem jeweiligen Paket mit dieser Tabelle übereinstimmt (*für Kits).
- IT** Cercare il modello della propria piscina nella tabella riportata a continuazione e verificare che il numero di UNITA' presenti all'interno di ogni scatola o contenitore coincida con quanto riportato in tabella (*per i kit).
- NL** Zoek het model van uw zwembad op in de volgende tabel en controleer of het aantal EENHEDEN in elke doos of zak overeen komt met wat op deze tabel staat vermeld (*voor kits).
- PT** Busque o modelo da sua piscina na seguinte tabela e verifique que o número de UNIDADES dentro de cada caixa ou embalagem coincide com esta tabela (* para os kits).

REF	IMAGE	KPCOV41	KPCOV52 KPCOV52L	KPCOV66 KPCOV66L	KPCOV80
PNCOMP331400		7	KPCOV52 9 KPCOV52L 8	KPCOV66 11 KPCOV66L 10	13
PNCOMPLD1400		-	KPCOV52L 1	KPCOV66L 1	-
PNCOMP331400SK		1	1	1	1
PVALM081210135		8	8	8	8
PVALM1210180		-	2	4	6
PLYCOMP112		7	5	5	5
PLYCOMP112SK		1	1	1	1
PLYCOMP11290		-	2	2	2
PLYCOMP90112		-	2	2	2
PLYCOMP90		-	-	2	4
ANG87135		8	8	8	8
ANG60180		-	2	4	6
AP		-	4	8	12

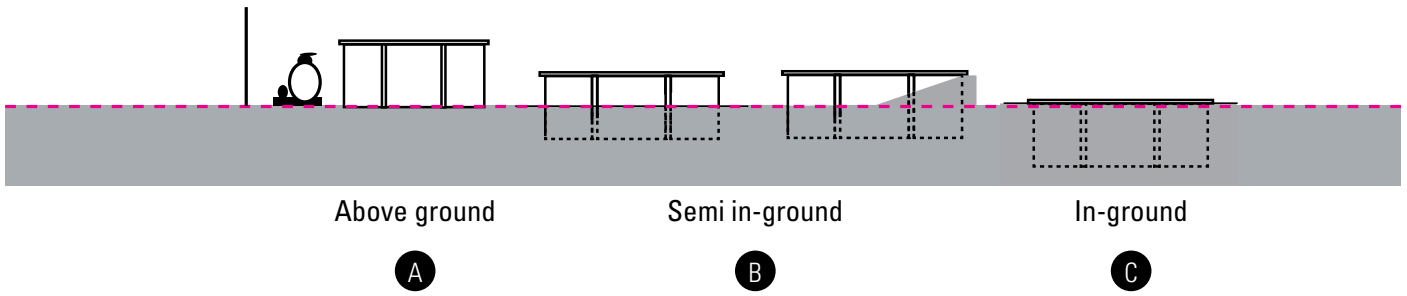
REF	IMAGE	KPCO41	KPCOV52 KPCOV52L	KPCOV66 KPCOV66L	KPCOV80
COMPCOVER		-	2	4	6
ETCOMP		1	1	1	1
AR1174CO		1	1	1	1
PV1185		-	2	4	6
PEU2		-	4	8	12
PEU		-	2	4	6
PEAO		-	8	16	24
PG		-	2	4	6
E (950 mm)		-	2	4	6
A (1440 mm)		-	1	2	3
KITENVCO41		1	-	-	-
KITENVCOV52		-	1	-	-
KITENVCOV66(L)		-	-	1	-
KITENVCOV80		-	-	-	1
LINER		1	1	1	1
FILTER		1	1	1	1
SK101G		1	1	1	1
SILEX		1	2	2	2
MPROV		1	1	1	1
PLWPB		-	KPCOV52L 1	KPCOV66L 1	-



3

- EN PREPARATION OF THE SITE
- ES PREPARACIÓN DEL TERRENO
- FR PRÉPARATION DU TERRAIN
- DE VORBEREITUNG DES BODENS
- IT PREPARAZIONE DEL TERRENO
- NL BEREIDING VAN HET TERREIN
- PT PREPARAÇÃO DO TERRENO

First level



This is a determining stage in the construction of your pool. Certain works performed in situ, like the preparation of the land, the concrete slab, the draining... could need the intervention of professionals that will suggest the most adequate solutions.

Select the ideal location, in the sunniest spot possible, taking into account the local regulations (distance from the paths, public rights of way, networks...) and the landscaping after installing the pool.

Your pool can be installed in these three ways: A-B-C

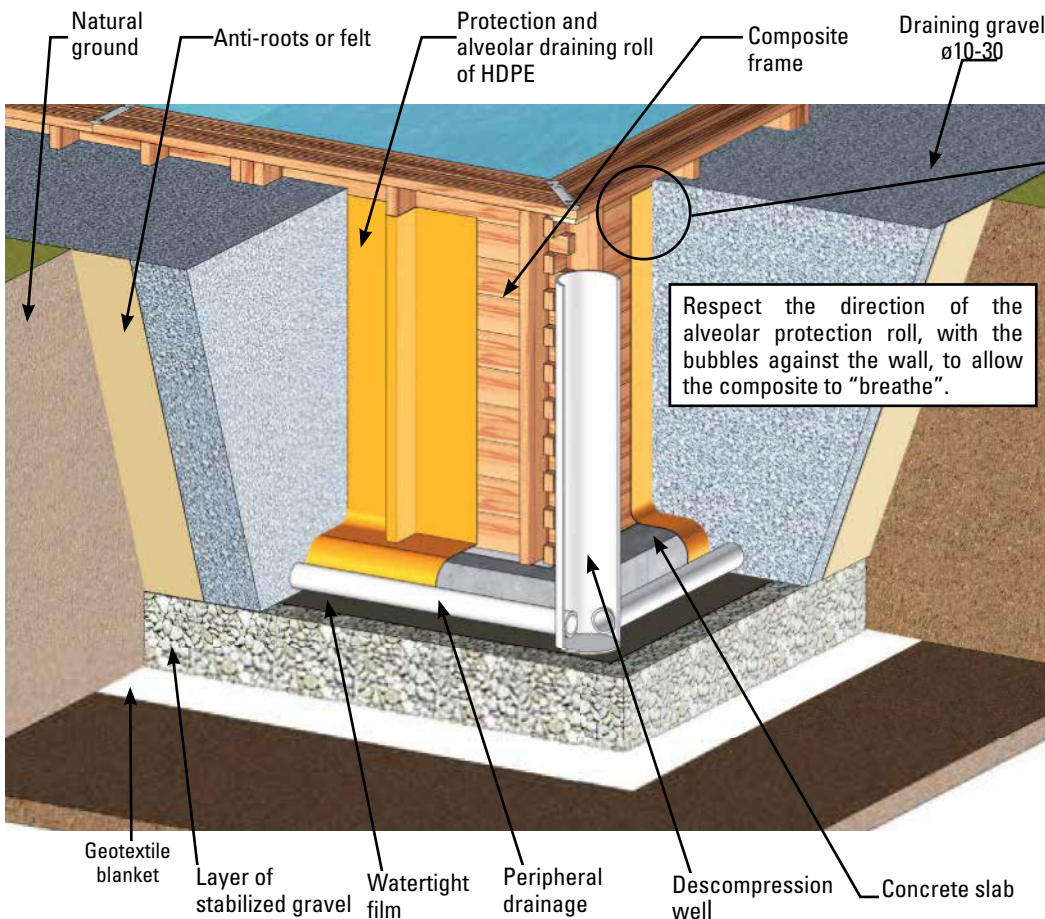
Try to not install your pool on recently filled land or unstable land. Whatever type of installation you choose, you should excavate and prepare the land for levelling.

Attention: in the case that the land is sloping, you need to excavate it for levelling. Do not add soil to level it.

- In the case of assembling your pool above ground, you can use either a bed of sand or a concrete slab. If you choose the bed of sand, use fine and clean sand, otherwise you could stain the liner due to there being algae.
- In the case that the pool is semi in-ground or completely in-ground, the installation should be using a concrete foundation slab. If a foundation concrete slab is used this should be at least 15 centimetres thick. The pool is assembled after the concrete foundation slab has completely dried (3 weeks). The filter group should be located below the level of the pool and ideally at the floor level of the pool.

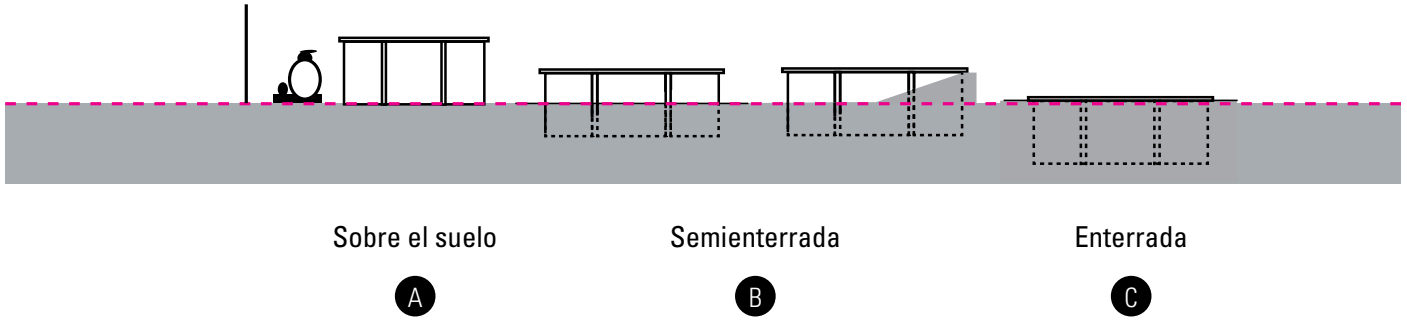
PARTIAL OR COMPLETELY IN-GROUND INSTALLATION

According to the nature of the land, you should install a peripheral drainage and connect it to a decompression well. The well will be excavated before the construction of the pool to avoid that the excavations fill with water during the works. It should be near the pool, a few centimetres lower than the deepest point of the same and reach up to the surface. The decompression well is located at the most humid point. It acts as an overflow in the case of water infiltrations or clay soil, starting from the fact that water rises quicker through a tube than through the soil.



- 1- Composite frame
- 2- Roll of alveolar protection and drainage of HDPE

Nivel de filtración



Es una etapa determinante en la construcción de su piscina. Determinados trabajos de puesta en marcha, como la preparación del terreno, la losa de hormigón, el drenaje... pueden precisar la intervención de profesionales que sabrán proponerle las soluciones adecuadas.

Seleccione el emplazamiento ideal, lo más soleado posible, teniendo en cuenta la normativa local (distancia de la cerca, servidumbres públicas, redes...) y el paisajismo posterior a la instalación de la piscina.

Puede instalar su piscina de estas tres formas: A-B-C

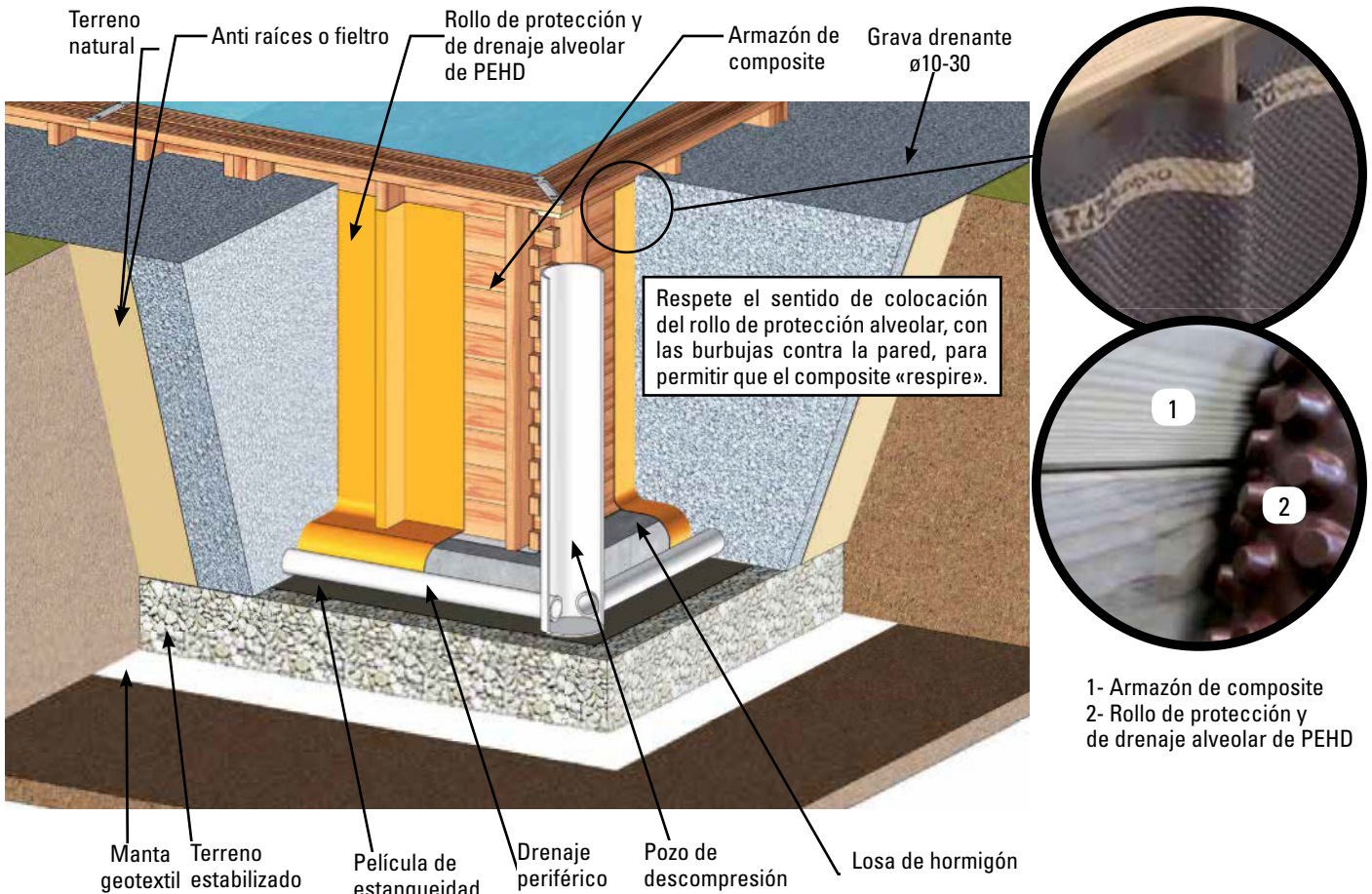
Procure no instalar su piscina en un suelo rellenado recientemente o que no sea estable. Sea cual sea el tipo de instalación seleccionado, es necesario excavar y preparar el terreno para nivelarlo.

Atención: en caso de terrenos en pendiente, es imprescindible excavarlo para nivelarlo. No añada tierra para nivelar su terreno.

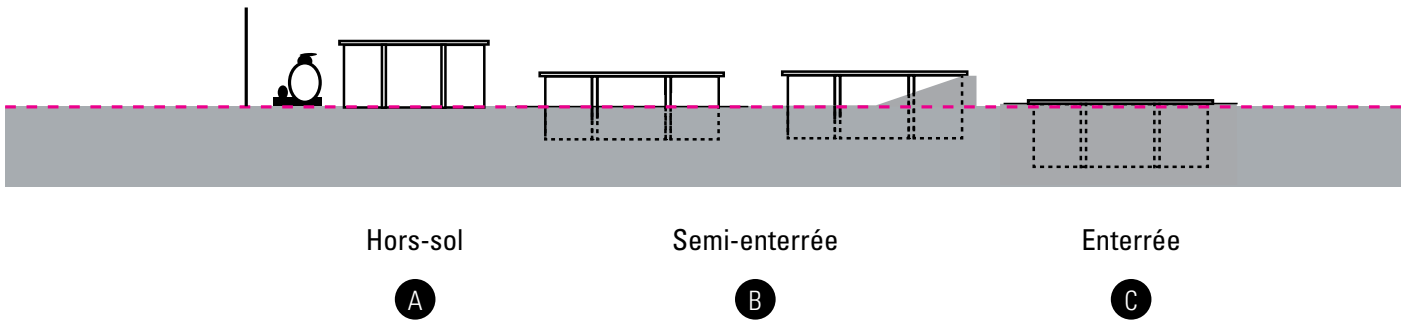
- En caso de que monte su piscina en superficie, puede hacerlo bien sobre un lecho de arena o bien sobre una losa de hormigón armado. Si escoge el lecho de arena, procure elegir una arena fina y limpia, de lo contrario se puede manchar el liner por la aparición de algas en la arena.
- En caso de que la piscina esté semienterrada o completamente enterrada, la instalación se deberá efectuar sobre una losa de hormigón. Si se realiza una losa de hormigón, esta deberá tener un espesor mínimo de 15 centímetros. El montaje del vaso se realiza una vez se haya secado completamente la losa (3 semanas). El grupo de filtración debe situarse por debajo del nivel de la piscina e idealmente a nivel del suelo de la piscina.

INSTALACIÓN PARCIAL O COMPLETAMENTE ENTERRADA

Según la naturaleza del terreno, es importante implantar un drenaje periférico y conectarle un pozo de descompresión. El pozo se cava antes de la construcción de la piscina porque puede evitar igualmente que las excavaciones de llenen de agua durante las obras. Debe estar cerca del vaso, unos centímetros por debajo del punto más profundo del mismo y llegar hasta la superficie. El pozo de descompresión se sitúa en el lado más húmedo. Desempeña la función de sumidero en caso de infiltraciones de agua o de suelo arcilloso, partiendo de que el agua sube de forma más rápida a través del tubo que del suelo.



Niveau de la filtration



C'est une étape déterminante dans la réalisation de votre piscine. Certains travaux de mise en oeuvre tels que le terrassement, la dalle béton, le drainage,... peuvent nécessiter l'intervention de professionnels qui sauront proposer les solutions adéquates.

Choisissez l'emplacement idéal, le plus ensoleillé possible, en tenant compte de la réglementation locale (distance des clôtures, servitudes publiques, réseaux...) et de l'aménagement paysager qui suivra l'installation de la piscine.

Vous pouvez implanter votre piscines selon 3 possibilités: A-B-C

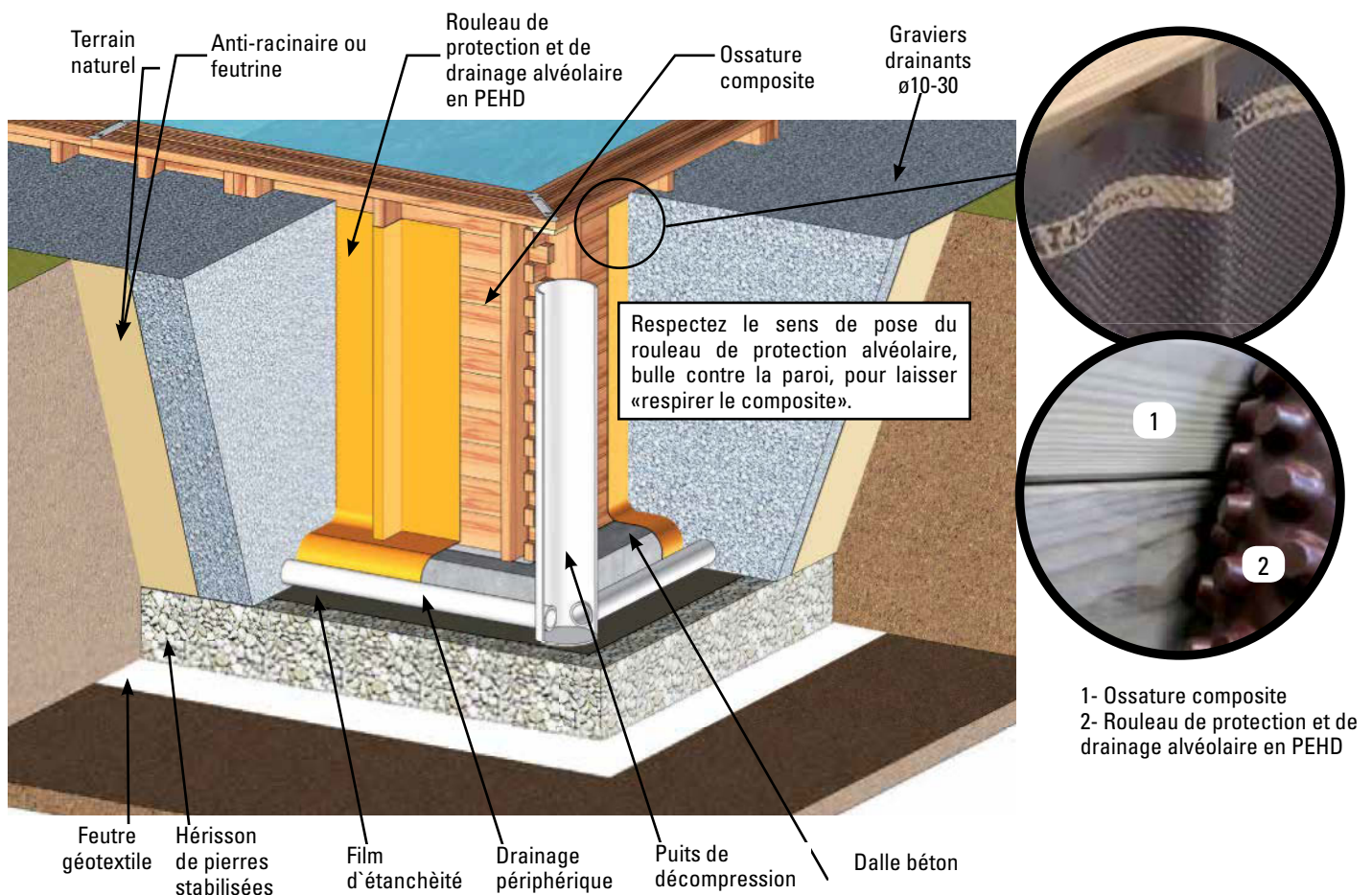
Veillez à ne pas installer votre piscine sur sol récemment remblayé et/ou non stabilisé. Quelque soit le type d'implantation retenue, il est nécessaire de décaper votre terrain et de mettre le terrassement de niveau.

Attention : en cas de terrain en pente, il est impératif de le décaisser pour le mettre de niveau. Ne remblayez pas votre terrain pour le mettre de niveau.

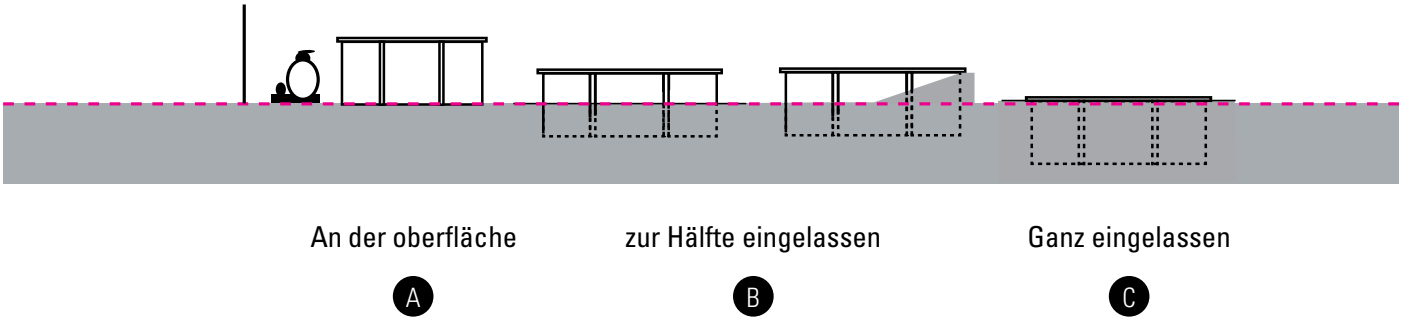
- En cas d'implantation hors sol vous pouvez implanter votre piscine soit sur lit de sable soit sur dalle béton. Dans le cas d'une implantation sur lit de sable, veillez à utiliser un sable fin et propre, à défaut, le liner pourrait être taché par l'apparition d'algue dans le sable.
- En cas d'implantation semi à totalement enterrée, l'implantation devra être faite sur une dalle béton. Dans le cas de la réalisation d'une dalle béton, celle-ci doit avoir une épaisseur de 15 cm minimum. Le montage du bassin doit se faire après séchage.

INSTALLATION SEMI A TOTALEMENT ENTERREE

Selon la nature du terrain, il est important de réaliser un drainage périphérique et d'y associer un puits de décompression. Ce puits est creusé avant la construction de la piscine car il peut éviter également que les fouilles ne se remplissent d'eau durant les travaux. Il doit être proche du bassin, plus profond de quelques centimètres du point le plus bas du bassin et monter jusqu'à la surface. Le puits de décompression se pose du côté le plus humide. Il fait office de puisard dans le cas d'infiltration d'eau ou de sol argileux, sachant que l'eau monte sensiblement plus vite à travers le tuyau qu'à travers le sol.



Filtrationshöhe



Dies ist eine entscheidende Etappe beim Aufbau Ihres Pools. Bestimmte Arbeiten bei der Inbetriebnahme, wie etwa Geländevorbereitung, Betonplatte, Entwässerung... können den Einsatz von Fachleuten erforderlich machen, die in der Lage sind, Ihnen geeignete Lösungen vorzuschlagen. Wählen Sie den idealen Standort, d. h. so sonnig wie möglich, und berücksichtigen Sie die örtlichen Bestimmungen (Abstand vom Zaun, öffentliche Beschränkungen, Leitungen...) und die Gartengestaltung nach der Aufstellung des Pools.

Den Pool können Sie auf folgende drei Arten aufstellen bzw. einbauen: A-B-C

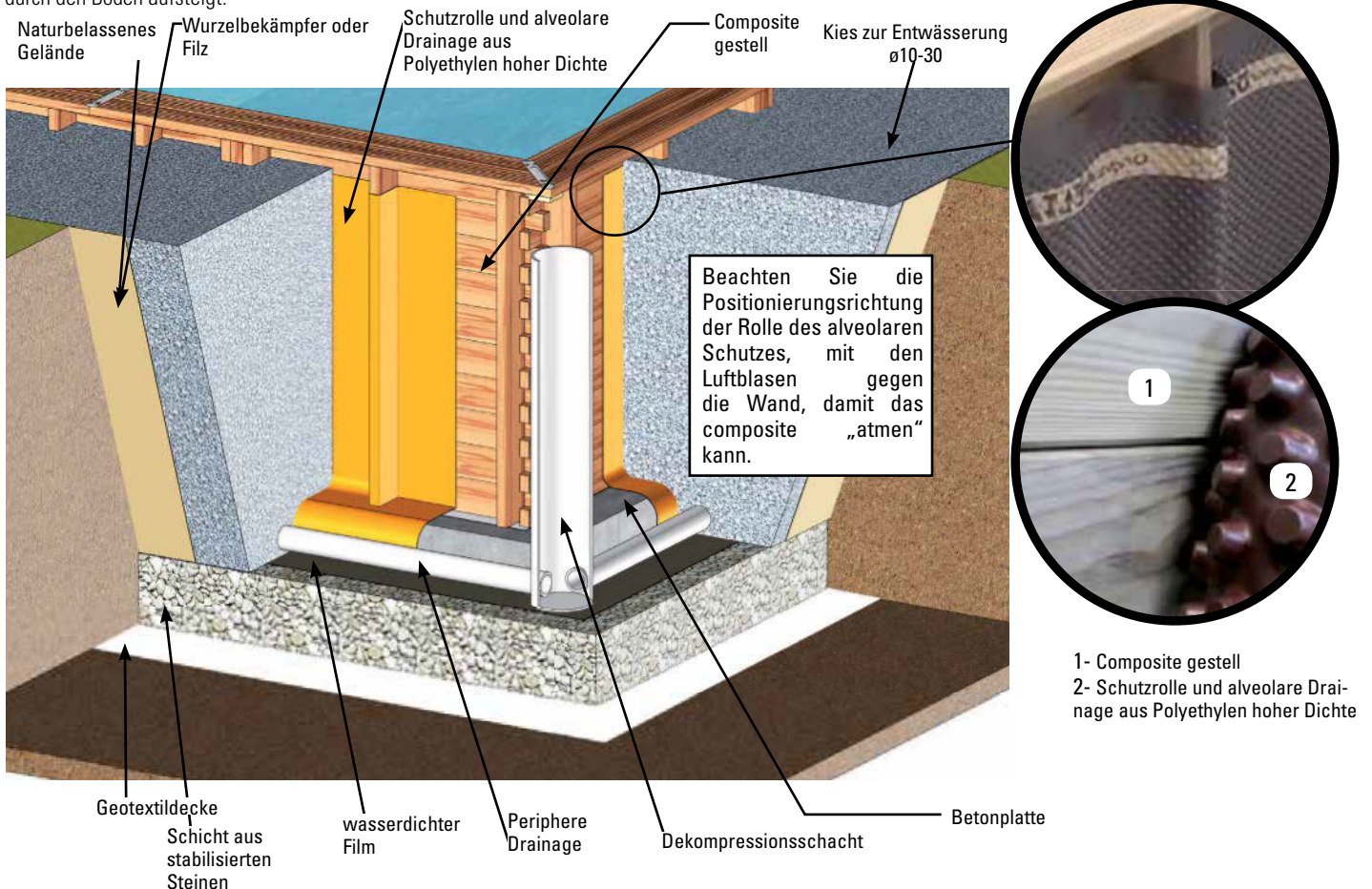
Vermeiden Sie es, den Pool in kürzlich aufgefüllten Boden oder Boden, andernfalls wird das Aufstellen einer Betonplatte unerlässlich sein. Unabhängig von der Art des ausgewählten Einbaus ist es erforderlich, zu graben und das Gelände vorzubereiten, um es einzuebnen.

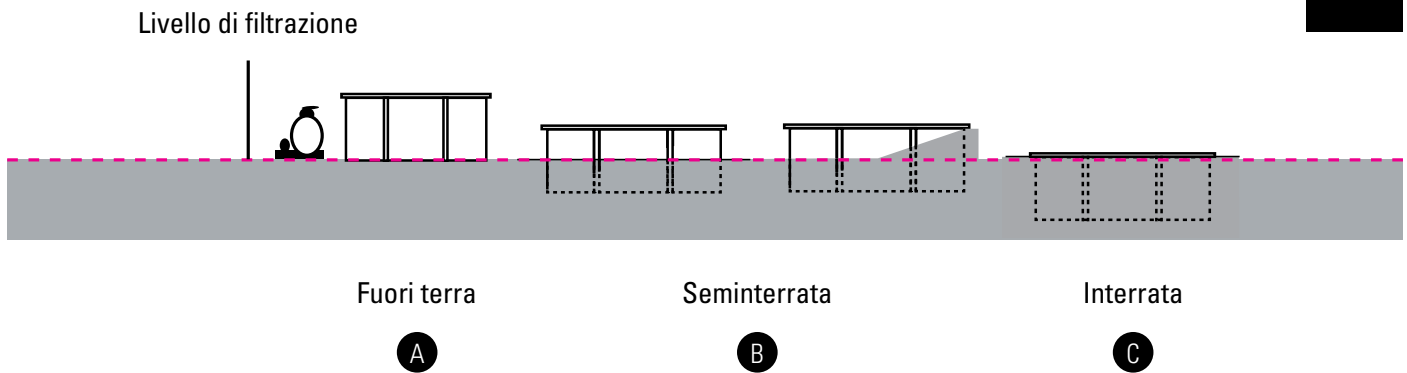
Achtung: bei abschüssigem Gelände ist es unerlässlich, den Boden umzugraben, um das Gelände einzuebnen.

- Wenn Sie den Pool an der Oberfläche aufstellen, kann dies entweder auf einem Sandbett oder auf einer Betonplatte erfolgen. Wenn Sie ein Sandbett wählen, nehmen Sie feinen und sauberen Sand, andernfalls kann der Liner durch das Auftreten von Algen im Sand beschmutzt werden. Wird der Pool halb oder ganz eingelassen, muss der Einbau auf einer Betonplatte erfolgen.
- Wird eine Betonplatte eingesetzt, muss diese mindestens 15 Zentimeter stark sein. Der Einbau des Beckens erfolgt, nachdem die Platte ganz getrocknet ist (3 Wochen). Das Filtrationsaggregat muss unterhalb der Ebene des Pools und idealerweise ebenerdig vom Pool platziert werden.

EINBAU BEI TEILWEISE ODER GANZ EINGELASSENEM POOL

Je nach Beschaffenheit des Geländes ist es wichtig, eine periphere Drainage zu installieren und einen Dekompressionsschacht daran anzuschließen. Der Schacht wird vor dem Bau des Pools gegraben, da er verhindern kann, dass sich die Ausgrabungen während der Bauarbeiten mit Wasser füllen. Er muss nahe dem Becken sein, einige Zentimeter unterhalb des tiefsten Punktes des Beckens, und bis zur Oberfläche reichen. Der Dekompressionsschacht wird an der feuchtesten Seite installiert. Er dient als Drainage im Falle von Versickerungen oder bei Lehmboden, wenn man davon ausgeht, dass das Wasser schneller durch den Schlauch als durch den Boden aufsteigt.





È un passaggio determinante nella costruzione della piscina. Determinati lavori di messa in funzione, come la preparazione del terreno, il basamento di calcestruzzo, il drenaggio... possono necessitare l'intervento di professionisti che proporranno le soluzioni adeguate. Scegliere la collocazione ideale, il più possibile soleggiata, considerando la normativa locale (distanza dal confine, servitù pubbliche, reti...) e l'aspetto del paesaggio successivo all'installazione della piscina.

Puoi installare la piscina di uno di questi tre modi: A-B-C

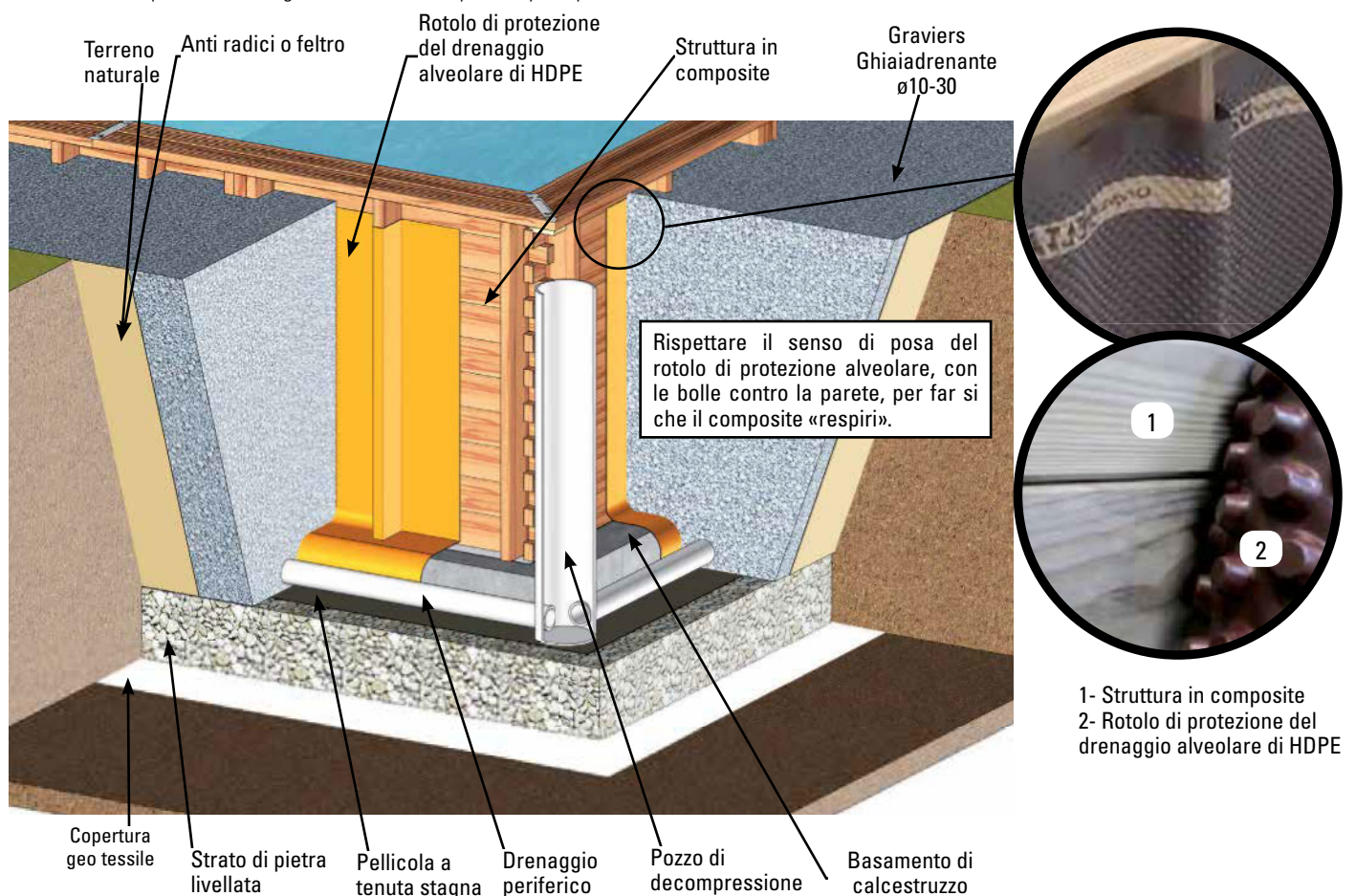
Il sistema di filtrazione si deve situare al di sotto del livello della piscina e idealmente al livello del fondo della piscina; altrimenti la pompa corre il rischio di disattivarsi. La pompa di filtraggio deve essere protetta da spruzzi di acqua, inondazioni e dall'umidità, in un luogo asciutto e ben ventilato. In caso contrario, le parti metalliche e il motore della pompa potrebbero deteriorarsi.

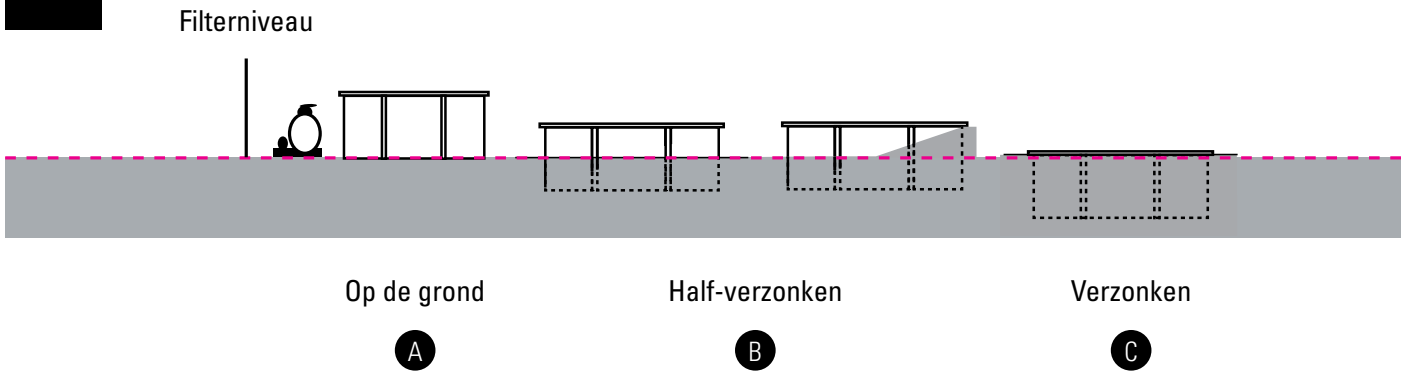
Non installare la piscina su un terreno riempito di recente o che non sia stabile. Qualsiasi sia il tipo di installazione scelto, è necessario scavare e preparare il terreno per livellarlo. Attenzione: in caso di terreno in pendenza, è necessario scavare per livellarlo. Non aggiungere terra per livellare il terreno.

- Se monti la piscina fuori terra, puoi farlo su un letto di sabbia o su un basamento in calcestruzzo. Se si sceglie il letto di sabbia, si deve scegliere una sabbia fina e pulita, altrimenti si può macchiare il liner a causa della formazione di alghe nella sabbia. Se la piscina è seminterrata o completamente interrata, l'installazione dovrà essere effettuata su un basamento di calcestruzzo.
- Se si realizza un basamento di calcestruzzo, questo dovrà avere uno spessore minimo di 15 centimetri. Il montaggio della vasca va effettuato quando il basamento è completamente secco (questo avviene in circa 3 settimane). Il sistema di filtrazione si deve situare al di sotto del livello della piscina e idealmente al livello del fondo della piscina

INSTALLAZIONE PARZIALMENTE O COMPLETAMENTE INTERRATA

In base al tipo di terreno, è importante installare un drenaggio periferico collegarlo con un pozzo di decompressione. Il pozzo deve essere scavato prima della costruzione della piscina per evitare che gli scavi si riempiano di acqua durante i lavori. Deve essere vicino alla vasca, alcuni centimetri più in basso del punto più profondo della stessa e arrivare fino alla superficie. Il pozzo di decompressione deve essere situato nel lato più umido. Svolge la funzione di un tombino in caso di infiltrazioni di acqua e di suolo argilloso, dato che l'acqua sale più rapidamente attraverso il tubo che attraverso il suolo.





Dit is een bepalende fase tijdens de aanleg van uw zwembad. Er moet worden aangevangen met een aantal werkzaamheden, zoals de voorbereiding van het terrein, de betonvloer, de afvoer... dit kan vragen om de hulp van professionals die weten hoe ze de juiste oplossingen moeten uitvoeren. Kies een ideale plaats uit, zo zonnig mogelijk, maar houd daarbij rekening met de plaatselijke normen (afstand tot de grondscheiding, publieke erfgoedbaarheid, leidingnetwerken...) en de landschapsinrichting na installatie van het zwembad.

U kunt uw zwembad op deze drie manieren installeren: A-B-C

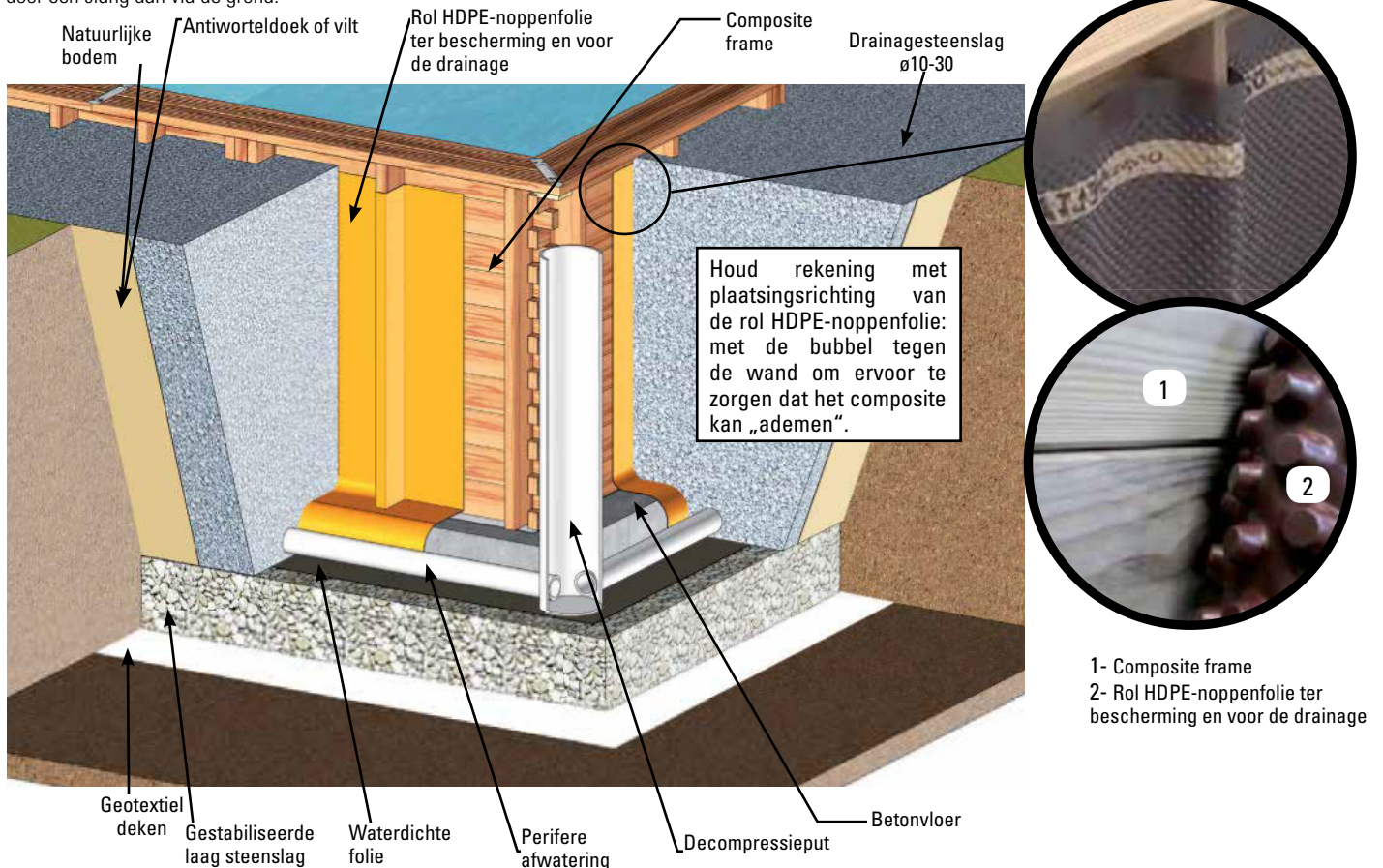
De filtergroep moet zich onder de waterspiegel van het zwembad bevinden en idealiter op gelijk niveau met de zwembadvloer; zoniet loopt u het risico dat de pomp zich uitschakelt. De filterpomp moet zo worden geplaatst dat hij beschermd is tegen voor waterspatten, overstromingen en vochtigheid, op een droge plek en goed geventileerd. Als dit niet gebeurt, kunnen de metalen onderdelen en de motor van de pomp schade oplopen. Vermijd het installeren van uw zwembad in recent aangevulde of onstabiele grond. Welk type installatie u ook kiest, zal het nodig zijn om het terrein uit te graven en het voor te bereiden om te effenen.

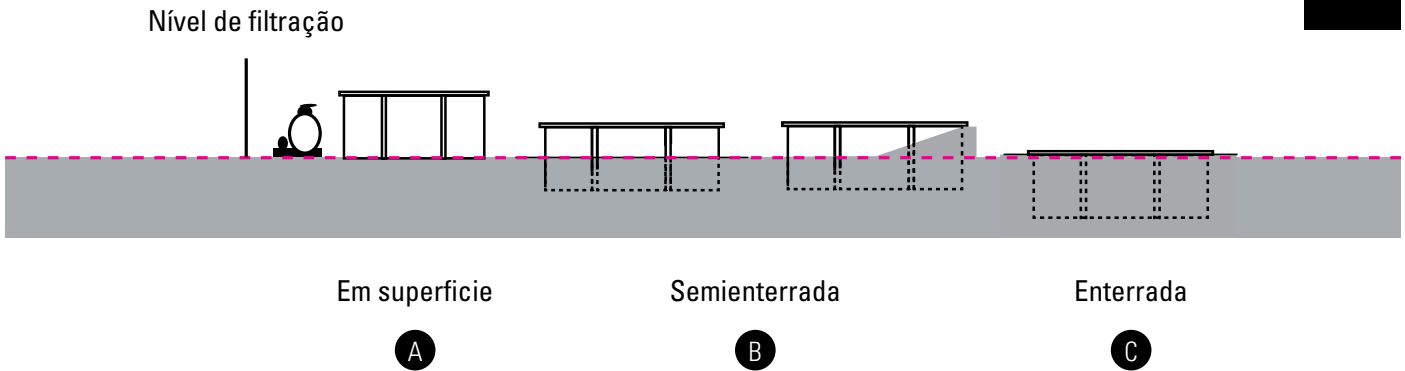
Let op: in geval van hellende terreinen, is het van het grootste belang het af te graven om het terrein vlak te maken.

- Indien u uw zwembad aan het grondoppervlak monteert, kunt u dat het beste doen op een zandbed of beter nog een betonvloer. Als u kiest voor het zandbed, kies dan voor zand dat fijn en schoon is, anders kunnen er vlekken op de liner komen doordat er algen kunnen ontstaan in het zand.
- Indien het zwembad halfverdiept of geheel verdiept wordt aangelegd, moet de installatie op een betonvloer worden uitgevoerd. Als u een betonvloer aanlegt, moet deze een dikte van minsten 15 centimeter hebben. De montage van het bassin kan worden uitgevoerd nadat het beton volledig is uitgehard (3 weken). De filtergroep moet zich onder de waterspiegel van het zwembad bevinden en bij voorkeur op het niveau van de bodem van het zwembad.

GEDEELTELIJKE OF GEHEEL VERZONKEN INSTALLATIE

Afhankelijk van de aard van het terrein, is het van belang om een periferisch afwateringssysteem te plaatsen en dit aan te sluiten op een decompressieput. De put wordt gegraven voordat met de aanleg van het zwembad wordt begonnen en zo wordt ook voorkomen dat de uitgraving tijdens de werkzaamheden volloopt met water. Het moet zich vlakbij het bassin bevinden, enkele centimeters onder het diepste punt ervan en het moet reiken tot aan de oppervlakte. De decompressieput wordt aan de natste kant geplaatst. Start de werking als afvoer zodra er infiltraties van water of modder optreden, omdat het water veel sneller omhoog kan komen door een slang dan via de grond.





É uma etapa determinante na construção da sua piscina. Determinados trabalhos de colocação em funcionamento, como a preparação do terreno, a laje de betão, a drenagem... podem precisar da intervenção de profissionais que saberão propor-lhe as soluções adequadas. Selecione a localização ideal, o mais soalheira possível, tendo em conta o regulamento local (distância da vedação, servidões públicas, redes...) e o paisagismo posterior à instalação da piscina.

Pode instalar a piscina destas três formas: A-B-C

O grupo de filtração deve ser situado por baixo do nível da piscina e, idealmente, ao nível do solo da piscina; se não, a bomba correrá o risco de se desativar. A bomba de filtração deve ser situada protegida de salpicos de água, de inundações e da humidade, num local seco e bem ventilado. Caso contrário, as peças metálicas e o motor da bomba podem deteriorar-se.

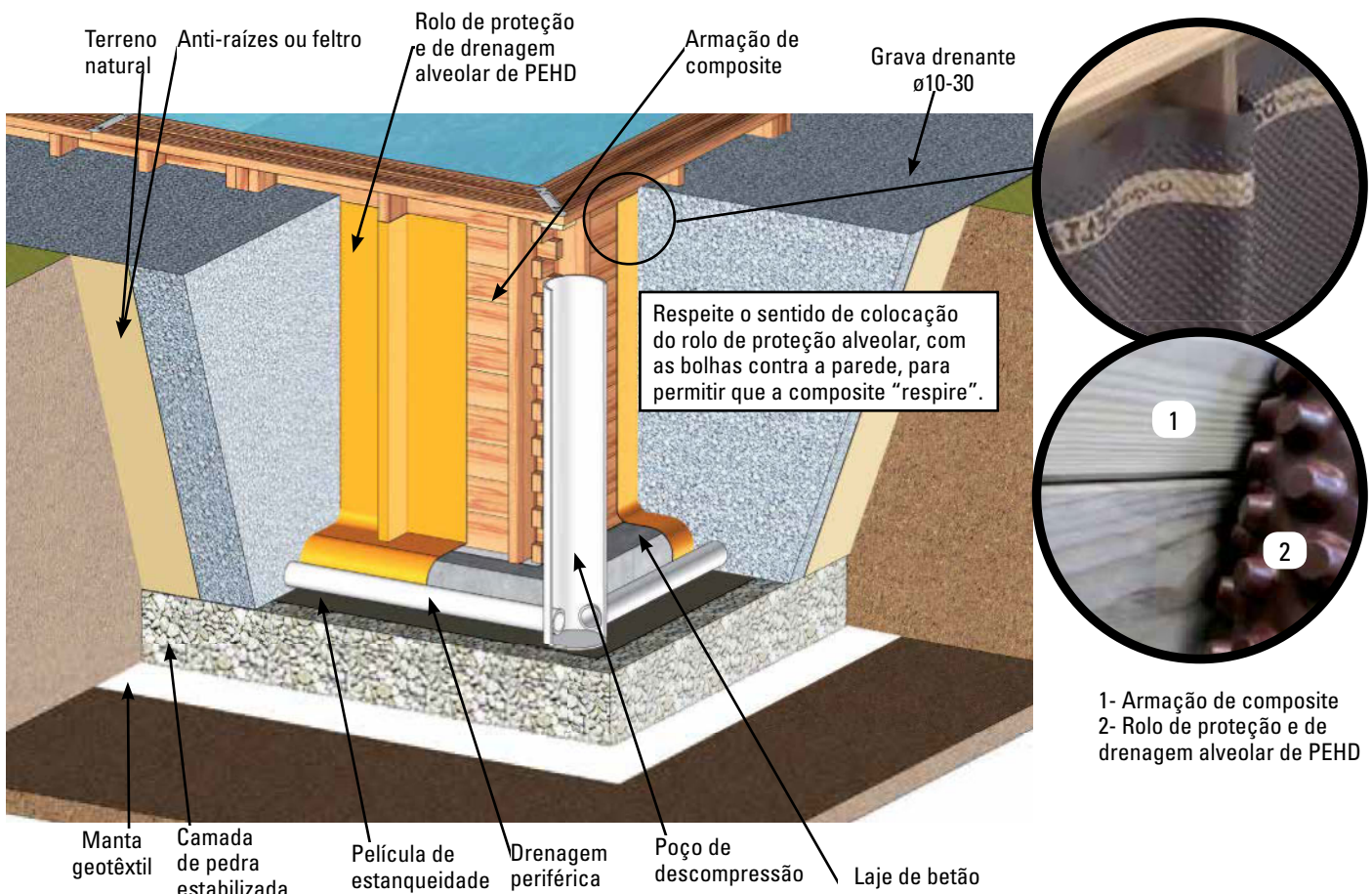
Tente não instalar a piscina num solo enchido recentemente ou que não seja estável. Seja qual for o tipo de instalação selecionado, é necessário escavar e preparar o terreno para nivelá-lo.

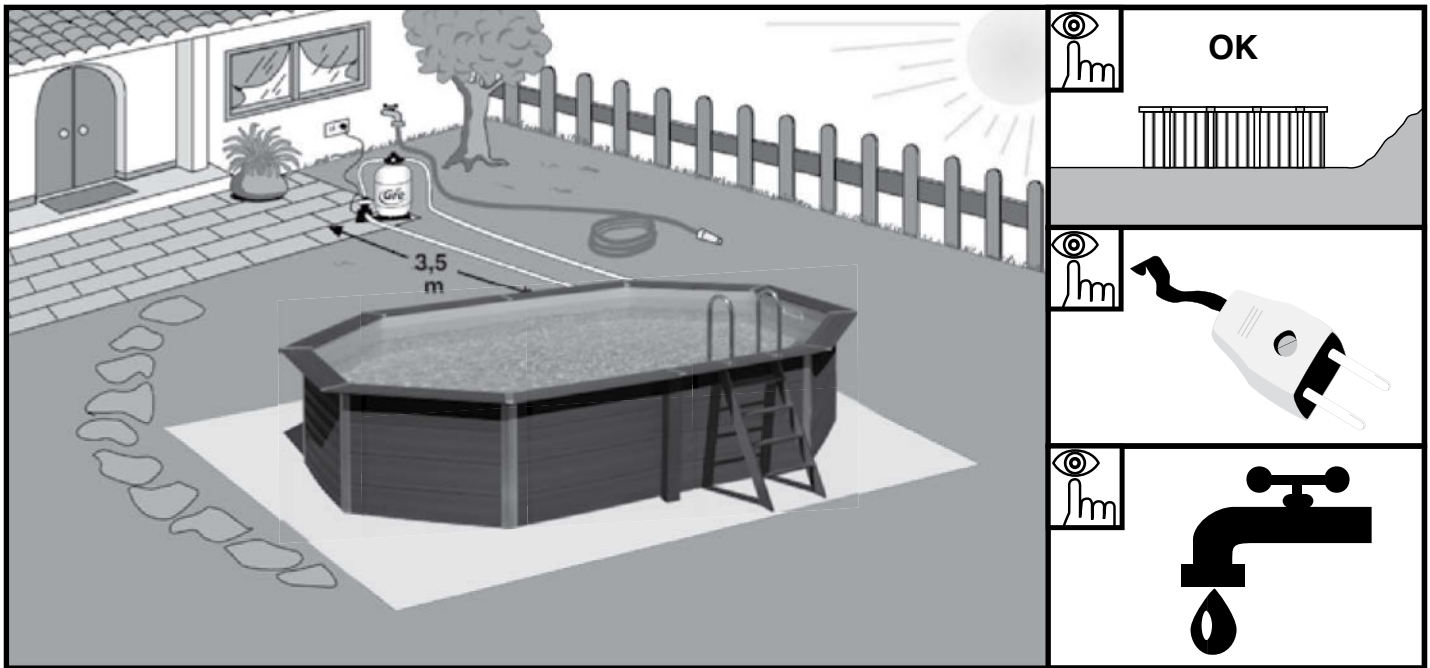
Atenção: em caso de terrenos em declive, é imprescindível escavá-lo para nivelá-lo. Não adicione terra para nivelar o terreno.

- Caso monte a piscina em superfície, pode fazê-lo quer sobre um leito de areia ou sobre uma laje de betão. Se escolher o leito de areia, deverá escolher uma areia fina e limpa, ou, caso contrário, o liner poderá manchar-se pelo surgimento de algas na areia.
- No caso de a piscina se encontrar semienterrada ou completamente enterrada, a instalação deverá ser efetuada sobre uma laje de betão. Se for realizada uma laje de betão, esta deverá ter uma espessura mínima de 15 centímetros. A montagem do tanque será realizada após a laje ter secado completamente (3 semanas). O grupo de filtração deve ser situado por debaixo do nível da piscina e, idealmente, ao nível do solo da piscina.

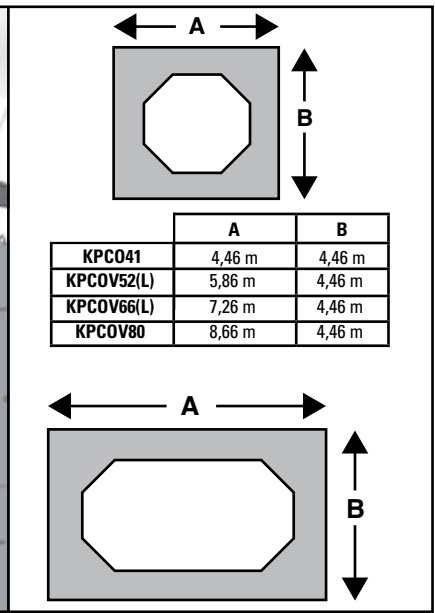
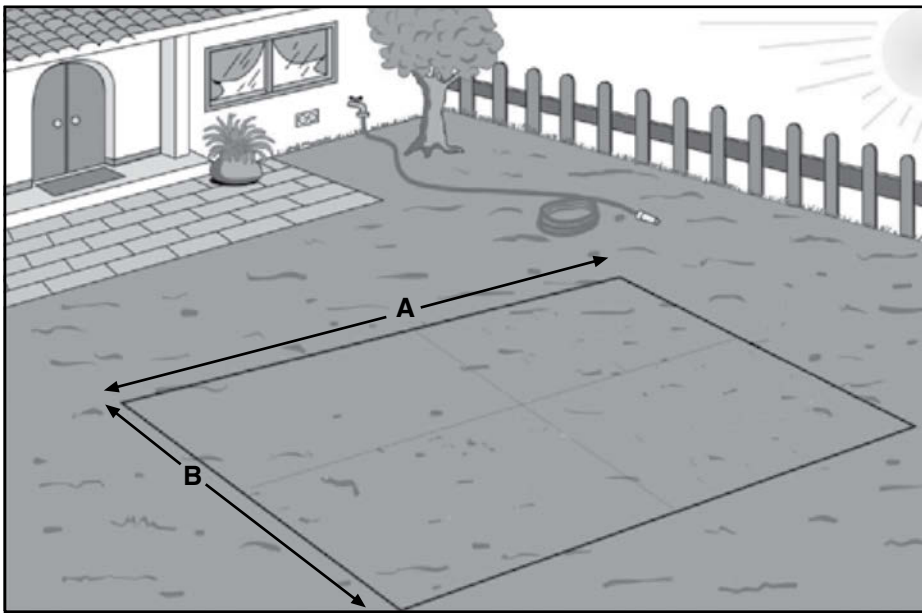
INSTALAÇÃO PARCIAL OU COMPLETAMENTE ENTERRADA

Segundo a natureza do terreno, é importante instalar uma drenagem periférica e ligá-la a um poço de descompressão. O poço é escavado antes da construção da piscina porque pode também evitar que as escavações se encham de água durante as obras. Deve estar perto do tanque, uns centímetros por debaixo do ponto mais profundo do mesmo e chegar até à superfície. O poço de descompressão situa-se no lado mais húmido. Desempenha a função de sumidouro em caso de infiltrações de água ou de solo argiloso, partindo de que a água sobe de forma mais rápida através do tubo do que do solo.





- EN Installation place:** Our pools are designed to be erected above ground and for an outdoor family use. The ground has to be firm, flat and perfectly horizontal. **Remember:** 1000 lts of water = 1 m³ = 1000 Kgs.
Advices to chose the best location for your pool:
 • Select a place where you'll have to realize the least excavation to levelled the ground. • Non easily inundated area in case of rain. • Where there is not any underground connection (water, gaz, electricity,...). • Do not install it underneath electric line. • Protected from wind and without any trees because the pollen and the leaves make the pool dirty. • Sunny area, where the most sun is during the morning. • Close to a water and power supply and drainage system. **UNACCEPTABLE LOCATION:** Sloping, uneven ground. Sandy, rocky or soggy ground.
- ES Lugar de colocación:** Nuestras piscinas están diseñadas para ser instaladas sobre la superficie del suelo y para uso familiar al aire libre. El suelo debe estar firme, liso y perfectamente horizontal. **Recuerde:** 1000 lts. = 1 m³ = 1000 Kgs.
Recomendaciones para elegir la mejor ubicación para su piscina:
 • Escoja un lugar donde deba realizar la menor excavación posible para nivelar el terreno. • Zona donde en caso de lluvias no se inunde. • Que no pase ninguna conexión subterránea (agua, gas, electricidad,...). • No instalar debajo de tendidos eléctricos. • Protegida del viento y sin árboles ya que el polen y las hojas ensucian la piscina. • Zona soleada, donde de más el sol por la mañana. • Cerca de una toma eléctrica, toma de agua y un desagüe. **NO MONTAR NUNCA EN:** Terreno inclinado, desigual, arenoso, con piedras ó blando.
- FR Lieu d'installation:** Nos piscines sont conçues pour être installés sur la surface du sol et pour un usage familial de plein air. Le sol doit être ferme, plat et parfaitement horizontal. **Pour mémoire:** 1000 lts. d'eau = 1 m³ = 1000 Kgs.
Recommandations pour choisir le meilleur emplacement pour votre piscine:
 • Choisissez un lieu où vous devez réaliser le moins d'excavation possible pour niveler le terrain. • Zone non inondable en cas de pluie. • Où il ne passe aucun branchement souterrain. (eau, gaz, électricité,...). • Ne pas installer en dessous de lignes électriques. • Protégée du vent et sans arbres étant donné que le pollen et les feuilles salissent la piscine. • Zone ensoleillée, où il y a le plus de soleil le matin. • Près d'une prise électrique, prise d'eau et d'un lieu d'écoulement. **NE JAMAIS MONTER:** Sur terrain incliné, dénivélé, sablonneux, avec des pierres ou mou.
- DE Austellort:** Unsere Schwimmbäder sind zur Aufstellung im Freien auf dem Boden und zur Benutzung durch die Familie ausgelegt. Der Boden muss fest und vollkommen waagrecht sein. **Beachten Sie:** 1000 l. wasser = 1 m³ = 1000 Kg.
Hier einige Empfehlungen zur Wahl des optimalen Standortes Ihres Schwimmbades:
 • Wählen Sie für die Aufstellung ein Gelände, wo Sie möglichst wenig Erde auszuheben brauchen, um den Boden zu planieren. • Der Bereich darf bei Regen nicht überschwemmt werden. • Durch den Untergrund darf keine unterirdische Leitung führen (Wasser, Gas, Strom,...). • Installieren Sie das Pool nicht unter Stromleitungen. • Der Aufstellort sollte windgeschützt sein und keinen Baumbestand aufweisen, denn Pollen und Laub verschmutzen das Schwimmbad. • Wählen Sie einen sonnenbeschienenen Bereich, vor allem mit Morgensonne. • Wählen Sie Ihren Standort in der Nähe eines Strom- und Wasseranschlusses und eines Abflusses. **NIE ANBRINGEN AUF:** Schrägem, unebenem, sandigem, mit Steinen durchsetztem oder weichem Gelände.
- IT Luogo di posa:** Le nostre piscine sono progettate per essere installate sul piano del terreno e per uso familiare all'aria aperta. Il terreno deve essere stabile, liscio e perfettamente orizzontale. **Ricordare:** 1000 lts. d'acqua = 1 m³ = 1000 Kg.
Raccomandazioni per scegliere la migliore posizione per la piscina:
 • Scegliere un luogo in cui si debba eseguire il minor scavo possibile per livellare il terreno. • Scegliere una zona che, in caso di pioggia, non si inondi. • Scegliere una zona in cui non passi nessun allacciamento sotterraneo. (acqua, gas, elettricità,...). • Non installare sotto linee elettriche. • Scegliere una zona protetta dal vento e senza alberi, poiché il polline e le foglie sporcheranno la piscina. • Scegliere una zona soleggiata, con maggiore esposizione ai raggi mattutini. • Scegliere una zona nelle vicinanze di una presa elettrica, presa d'acqua e uno scolo. **NON MONTARE MAI LA PISCINA IN PRESENZA DELLE SEGUENTI CONDIZIONI:** terreno in pendenza, irregolare, sabbioso, con pietre o morbido.
- NL Punt voor plaatsing:** Onze zwembaden zijn ontworpen voor hun installatie op de begane grond en bestemd voor familiegebruik in de open lucht. De grond dient vast, vlak en perfect horizontaal te zijn. **Onthoud:** 1000 liter water = 1 m³ = 1000 Kg.
Aanbevelingen voor het uitzoeken van de beste ligging voor uw zwembad:
 • Zoek een plek uit waarop zo min mogelijk moet worden afgegraven voor de nivellering van het terrein. • Zorg voor een stuk grond, dat in geval van regen niet onder water komt te staan. • Vermijd iedere aanwezigheid van ondergrondse aansluitingen (water, gas, elektriciteit,...). • Niet installeren onder elektriciteitsdraden. • Beschermen tegen wind en bomen vermijden, aangezien de pollen en bladeren het zwembad kunnen vervuilen. • Zoek een zonnige plek met vooral ochtendzon. • Plaatsen in de nabijheid van een elektriciteits-, water- en afvoeraansluiting. **NOOIT INSTALLEREN OP:** Hellend terrein, oneffen terrein, zanderig terrein, een bodem met stenen of een zachte bodem.
- PT Lugar de colocação:** As nossas piscinas estão concebidas para serem instaladas na superfície do chão para o uso familiar ao ar livre. O chão deve estar firme, liso e perfeitamente horizontal. **Nota:** 1000 l. = 1 m³ = 1000 Kg.
Recomendações para eleger a melhor situação para a sua piscina:
 • Escolha um lugar onde as escavações para nivelar o terreno sejam mínimas. • Uma zona que não se inunde em caso de chuva. • Onde não passem canais nem fios subterrâneos, (água, gás, electricidade,...). • Não instalar por baixo de linhas eléctricas. • Protegida do vento e sem árvores, já que o pólen e as folhas sujam a piscina. • Zona com sol, onde dê mais o sol de manhã. • Perto de uma tomada eléctrica, de uma tomada de água e de um escoamento. **NUNCA MONTAR EM:** Terreno inclinado, desigual, areoso, com pedras ou brando.



EN Mark the installation area: Identify your pool model in this table for the dimensions needed for installation. To mark the ground, use wooden stakes, a screwdriver, funnel or plastic bottle and flour or lime. It is essential to level the total surface necessary before the marking to ensure the correct pool installation. Check the table to mark the location of your pool, as centered as possible in the rectangle. For the assembly of this pool, you have two options:
 A - Install the pool directly on the ground (PAGE 37).
 B - Prepare a concrete base, with the measures indicated in the table. (PAGE 43). **NOTE: IT IS RECOMMENDED OPTION B.**

ES Marcar zona de instalación: Identifique el modelo de su piscina en esta tabla para conocer las dimensiones que necesita para la zona de instalación. Para marcar el terreno, ayúdese de estacas de madera, destornillador, embudo o botella de plástico y harina o cal. Es imprescindible nivelar la superficie total necesaria antes del marcaje para garantizar la correcta instalación de la piscina. Revise la tabla para marcar la ubicación de su piscina, lo más centrado posible en el rectángulo. Para el montaje de esta piscina, usted tiene dos opciones:
 A - Instalar la piscina directamente sobre el terreno (PÁGINA 37).
 B - Preparar una solera de hormigón, con las medidas indicadas en la tabla. (PÁGINA 43). **NOTA: SE RECOMIENDA REALIZAR LA OPCIÓN B.**

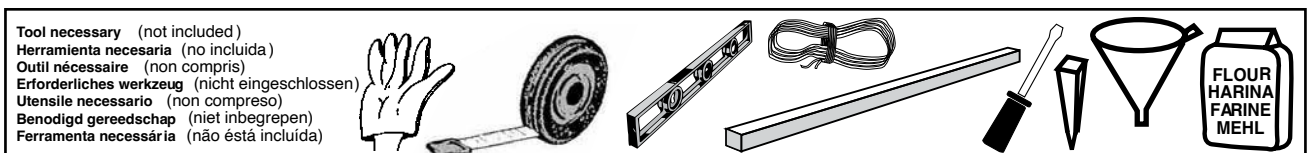
FR Marquer la zone d'installation: Identifiez le modèle de votre piscine sur ce tableau pour connaître les dimensions nécessaires de la zone d'installation. Pour marquer le terrain, utilisez des pieux en bois, un tournevis, un entonnoir ou bouteille en plastique et de la farine ou de la chaux. Il est indispensable de niveler la surface totale nécessaire avant de procéder au marquage, afin de garantir l'installation correcte de la piscine. Révisez le tableau pour marquer l'emplacement de votre piscine. Ce dernier devra être le plus centré possible dans le rectangle. Pour le montage de cette piscine, vous disposez de deux options :
 A - Installer la piscine directement sur le terrain (PAGE 37).
 B - Préparer un sol en béton avec les mesures indiquées sur le tableau (PAGE 43). **REMARQUE : L'OPTION B EST RECOMMANDÉE.**

DE Standort markieren: Ermitteln Sie das Modell Ihres Pools in dieser Tabelle, um die Abmessungen zu erfahren, die Sie für den Aufbaubereich benötigen. Zum Kennzeichnen des Untergrunds verwenden Sie Holzstangen, Schraubenzieher, Trichter oder Plastikflasche und Mehl oder Kalk. Vor der Markierung muss die erforderliche Gesamtfläche planiert werden, um den korrekten Aufbau des Pools zu gewährleisten. Sehen Sie in der Tabelle nach, um die Position des Pools so zentriert wie möglich auf dem Viereck zu markieren. Für den Aufbau des Pools haben Sie zwei Möglichkeiten:
 A - Sie können den Pool direkt auf dem Untergrund aufstellen (SEITE 37).
 B - Sie können eine Betonplatte mit den in der Tabelle angegebenen Abmessungen vorbereiten. (SEITE 43). **HINWEIS: ES WIRD EMPFOHLEN, OPTION B ANZUWENDEN.**

IT Tracciare zona di installazione: Identificare il modello della propria piscina all'interno della tabella per conoscere le dimensioni richieste della zona di installazione. Per marcare il terreno utilizzare paletti in legno, cacciaviti, imbuto o bottiglia in plastica, farina o calce. È molto importante livellare la superficie prima di marcarla per garantire la corretta installazione della piscina. Rivedere la tabella per segnare la posizione della piscina, centrandola il più possibile all'interno del rettangolo. Per il montaggio della piscina vi sono due possibilità:
 A - Installare la piscina direttamente sul terreno (PAGINA 37).
 B - Predisporre una soletta in cemento delle misure indicate nella tabella. (PAGINA 43). **NOTA: SI RACCOMANDA DI EFFETTUARE L'OPZIONE B.**

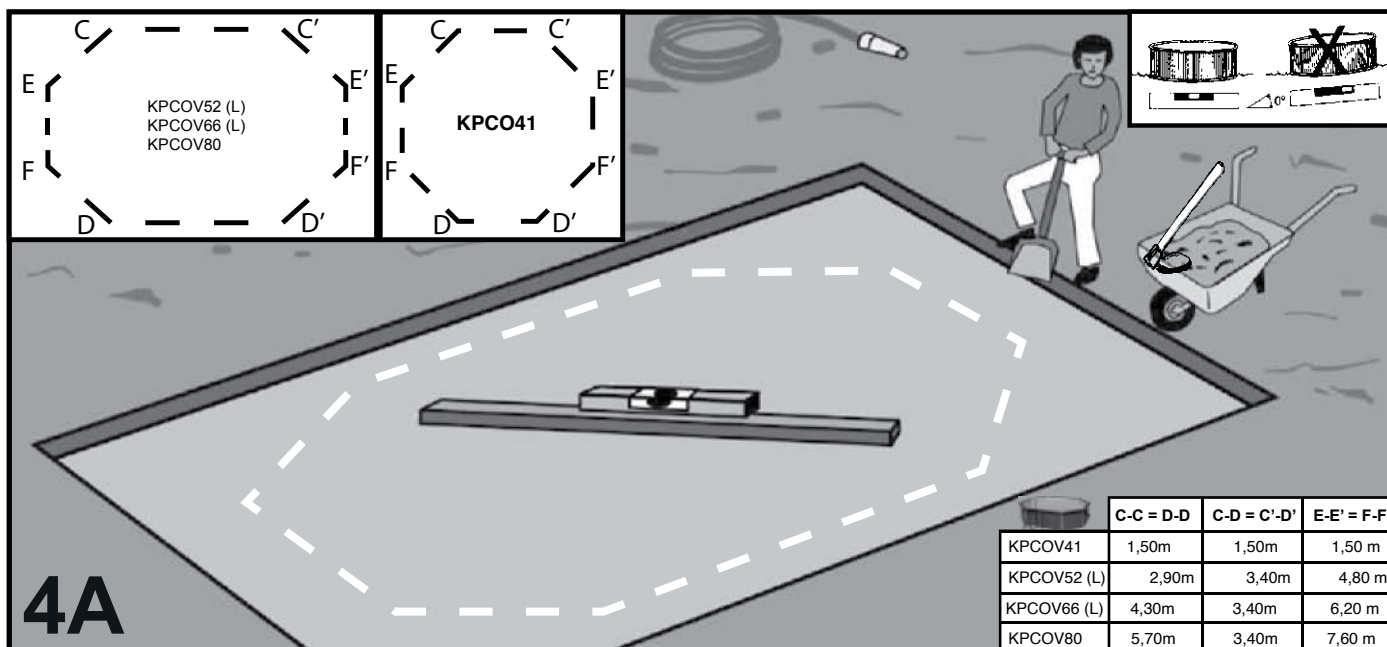
NL Her markeren van de plaats voor installatie: Identificeer het model van uw zwembad op deze tabel waar u de afmetingen vindt die u nodig heeft voor het gebied waar de installatie zal plaatsvinden. Om het terrein te markeren, maakt u gebruik van houten paaltjes, een schroevendraaier, een trechter of plastic fles en bloem of poederkalk. Het is absoluut nodig dat het oppervlak geheel wordt vlak gemaakt voordat u de markering aanbrengt om de correcte installatie van het zwembad te garanderen. Controleer de tabel om de plaats van uw zwembad te markeren, zo centraal mogelijk in de rechthoek. Voor de montage van dit zwembad, heeft u twee opties:
 A - Installeer het zwembad direct op het terrein (PAGE 37).
 B - Bereid een betonplaat voor, met de afmetingen die zijn aangegeven in de tabel. (PAGE 43). **LET OP: OPTIE B UITVOEREN WORDT AANBEVOLEN.**

PT Marcar zona de instalação: Identifique o modelo da sua piscina nesta tabela para conhecer as dimensões que necessita para a zona de instalação. Para marcar o terreno, utilize estacas de madeira, chave de fendas, funil ou garrafa de plástico e farinha ou cal. É imprescindível nivelar a superfície total necessária antes da marcação para garantir a correta instalação da piscina. Reveja a tabela para marcar a localização da sua piscina, o mais centrado possível no retângulo. Para a montagem da piscina, tem duas opções:
 A - Instalar a piscina diretamente sobre o terreno (PÁGINA 37).
 B - Preparar uma soleira de betão, com as medidas indicadas na tabela. (PÁGINA 43). **NOTA: RECOMENDA-SE REALIZAR A OPÇÃO B.**





- EN INSTALLATION
- ES INSTALACIÓN
- FR IMPLANTACIÓN
- DE MONTAGE
- IT INSTALLAZIONE
- NL INSTALLATIE
- PT INSTALAÇÃO



EN OPTION 4A: INSTALLATION OF THE POOL ON THE GROUND - Levelling: When levelling the ground, we will always remove the excess of soil and never add it to where is missing: this will ensure greater ground stability and firmness. Always remove all grass, roots, stones, etc. Levelling is extremely important: devoting the necessary time and effort to ensuring that your pool sits properly on the ground will avoid problems later.

How to level: thanks to a large mason rule (aluminium or wood) and a level, level out the ground forming rectangles (or squares), locating the strip in the selected and cleaned area. When all the areas are on the same level and when the excess of ground is removed, you may fill in the small areas which are left to level out (with clean ground or sand) but always compacting and levelling again afterwards. It is very important that the installation area is well compressed and firm so the pool doesn't bury when its full of water. Please ask a professional: builder, gardener,...

ES OPCIÓN 4A: INSTALACIÓN DE LA PISCINA SOBRE EL TERRENO - Nivelar: En caso de nivelar el terreno nunca añadiremos tierra donde falta, siempre cavaremos donde sobra. De ésta forma garantiremos la estabilidad del terreno y su firmeza. En cualquier caso eliminaremos todas las hierbas, raíces, piedras, etc... El proceso de nivelado del terreno es muy importante, dedíquele el tiempo y atención necesarios para que su piscina se asiente perfectamente en el terreno elegido y evitará problemas.

Como nivelar: Con reglas o "listones" de madera largos, sitúelos enterrándolos en la zona elegida y limpia, formando rectángulos (o cuadrados) nivelados entre sí, por medio de una regla de albañil (aluminio) y un nivel. Cuando estén todos los "listones" a nivel y retirada la tierra que sobre, podrá rellenar las pequeñas zonas que falten de nivelar (con tierra limpia o arena) pero siempre compactando y nivelando a continuación. Es importante que quede bien firme para que no se hunda el terreno cuando tenga la piscina llena de agua. Consulte con un profesional: Constructor, jardinero, etc.

FR OPTION 4A: INSTALLATION DE LA PISCINE SUR LE TERRAIN - Nivelar: Dans le cas de nivellement du terrain, ne jamais rajouter de terre aux endroits où il en manque, toujours creuser aux endroits où il y en a trop. Ainsi, nous garantirons la stabilité du terrain, sa fermeté. Dans tous les cas, éliminez toutes les herbes, racines, pierres, etc... Le procédé de nivellement du terrain est très important, accordez lui le temps et l'attention nécessaires pour que votre piscine soit parfaitement installée sur le terrain choisi et cela évitera des problèmes. Comment niveler: à l'aide d'une longue règle de maçon (aluminium ou bois) et d'un niveau, niveler le terrain en formant des rectangles (ou carrés), en plaçant cette règle dans la zone choisie et propre. Lorsque toutes les zones seront de niveau et que la terre en surplus aura été enlevée, vous pourrez remplir les petites zones qui restent à niveler (avec de la terre propre ou du sable) mais toujours en recompressant et re-nivelant par la suite.

Il est important que la zone d'installation soit bien tassée et ferme pour que le terrain ne s'enfonce pas lorsque la piscine sera remplie d'eau. Consultez un professionnel, jardinier, etc.

DE OPTION 4A: AUFSTELLEN DES POOLS AUF DEM GELÄNDE - Nivellierung: Zum Planieren des Boden darf niemals Erde aufgeschüttet werden, wo diese fehlt, sondern es darf nur überschüssige Erde ausgehoben werden. Nur so wird die Stabilität und Festigkeit des Boden gesichert. Laub, wurzeln, Steine usw. müssen natürlich entfernt werden. Wir weisen besonders darauf hin, dass die Bondennivellierung außerordentlich wichtig ist. Nehmen Sie sich daher Zeit und achten Sie darauf, dass das Pool einwandfrei auf dem gewählten Boden aufliegt. Sie sparen sich dadurch Probleme. Wie wird nivelliert: Mit Linealen oder Holzleisten, Graben Sie diese im ausgewählten, sauberen Bereich ein, indem Rechtecke (oder Quadrate) gebildet werden, die untereinander mit Hilfe eines Maurerlineals (aus Aluminium) und einer Wasserwaage nivelliert werden müssen. Wenn alle "Leisten" auf gleicher Höhe liegen und überflüssiges Erdreich entfernt ist, können die noch nicht nivellierten kleinen Zonen aufgefüllt werden (mit sauberem Erdreich oder Kiessand). Dabei muss jedoch immer verdichtet und anschließend nivelliert werden.

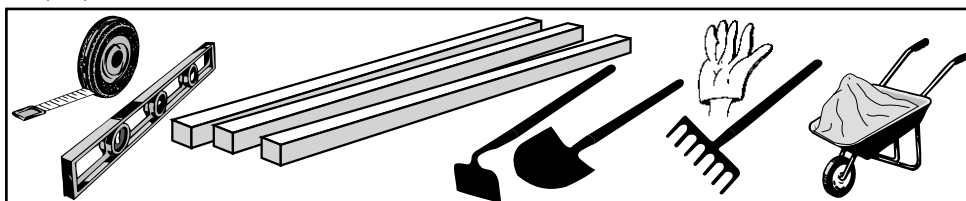
Achten Sie darauf, dass der Untergrund fest ist und nicht absinkt, wenn das mit Wasser gefüllte Pool darauf steht.

Wir empfehlen, einen Fachmann zu Rate zu ziehen: Bauunternehmer, Gärtner usw.

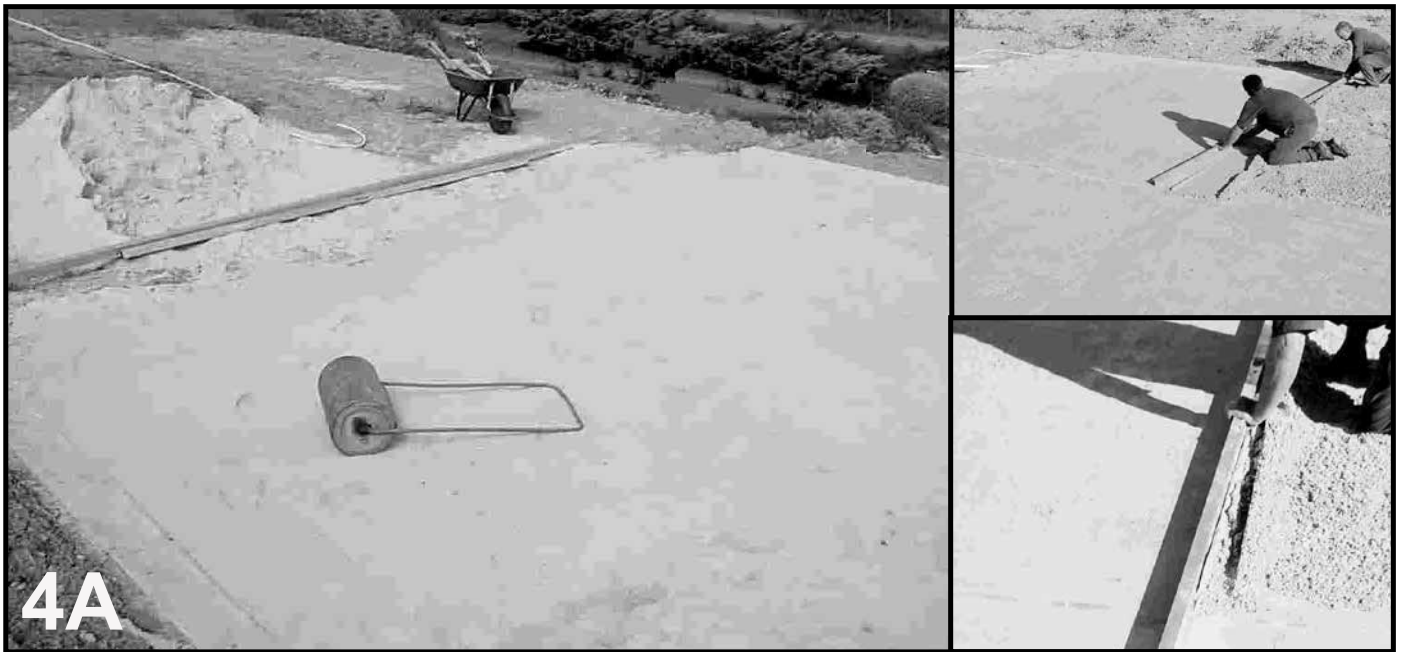
IT OPZIONE 4A: INSTALLAZIONE DELLA PISCINA SUL TERRENO - Livellare: Per livellare il terreno non aggiungere mai terra nel punto in cui manca, ma si scaverà sempre nel punto in cui è in eccesso. In questo modo si garantirà la stabilità e solidità del terreno. Occorrerà comunque eliminare tutte le erbacce, le radici, le pietre, ecc. La procedura di livellamento è molto importante, occorrerà quindi dedicargli il tempo e la cura necessari affinché la piscina si sistemi perfettamente sul terreno prescelto ed eviterà eventuali problemi. Come livellare: Dopo aver pulito la zona prescelta, situare sottoterra delle squadre o dei "listelli" di legno lunghi, formando rettangoli (o quadrati) livellati fra loro, per mezzo di una squadra da muratore (alluminio) e una livella. Quando tutti i "listelli" saranno a livello e dopo aver rimosso la terra eccedente, si potranno riempire le piccole zone mancanti da livellare (con terra pulita o sabbia di fiume) ma sempre compattando e livellando di seguito. È importante che sia ben saldo affinché non sprofondi il terreno quando la piscina sarà piena d'acqua. Consultare un professionista: costruttore, giardiniere, ecc.

NL OPTIE 4A: INSTALLATIE VAN HET ZWEMBAD OP HET TERREIN - Nivellieren: In het geval van nivellering van het terrein moeten we nooit aarde bijvoegen op de plaats waar deze ontbreekt, we graven altijd uit daar waar deze teveel aanwezig is. Op deze manier zullen we de stabiliteit van het terrein garanderen. In ieder geval moeten we al het onkruid, de wortels, stenen enz... verwijderen. Het proces van de nivellering van het terrein is zeer belangrijk; besteed daar de nodige tijd en aandacht aan zodat uw zwembad op de juiste manier zijn plaats vindt op het uitgekozen terrein en u zult problemen voorkomen. Wijze voor nivellering: met gebruik van lange houten latten. Plaats deze in de grond op het uitgekozen en schone terrein, waarin met behulp van een metselaarsmeeflat (aluminium) en een waterpas onderling genivelleerde rechthoeken (of vierkanten) worden gevormd. Wanneer alle latten zich op dezelfde hoogte bevinden en de overtollige aarde is verwijderd kunnen de kleine niet-genivelleerde plekken worden gevuld (met schone aarde, of zand), waarna de aarde opnieuw moet samengegeld worden en genivelleerd. Het is belangrijk dat de zone goed samengedrukt is zodat het terrein niet inzakt wanneer het zwembad gevuld wordt. Raadpleeg een vakman: een aannemer, een tuinman, enz.

PT OPÇÃO 4A: INSTALAÇÃO DA PISCINA SOBRE O TERRENO - Nivelar: Se se nivelar o terreno nunca se deverá acrescentar terra onde falta, sempre deve-se cavãr onde sobra. Destá forma garante-se a estabilidade do terreno e a sua firmeza. Em qualquer caso devem-se eliminar as ervas, raízes, pedras, etc. O processo de nivelamento do terreno é muito importante. Deve-se dedicar a ele todo o tempo e atenção necessários para a sua piscina se assentar perfeitamente no terreno escolhido, o que evitará problemas. Como nivelar: com regras ou "régua de madeira compridas: coloque-as enterradas na zona escolhida e limpa, formando rectângulos (ou quadrados) nivelados entre eles, por meio de uma regra de pedreiro (aluminio) e um nível. Quando estiverem todas as "régua" a nível e tirada a terra aí onde sobrar, poderá encher as pequenas zonas que faltam por nivelar (com terra limpa ou areia) mas sempre compactando e nivelando depois. É importante que fique bem firme para não se arrombar o terreno quando a piscina estiver cheia de água. Consulte um profissional (um construtor ou um jardineiro, ou qualquer outro).



Tool necessary (not included)
 Herramienta necesaria (no incluida)
 Outil nécessaire (non compris)
 Erforderliches Werkzeug (nicht eingeschlossen)
 Utensile necessari (non compreso)
 Benodigd gereedschap (niet inbegrepen)
 Ferramenta necessária (não está incluída)



4A

EN

OPTION 4A: INSTALLATION OF THE POOL ON THE GROUND.

Finishing: On the cleaned and levelled ground, spread a light coat of sieved sand (max. 1cm). Water and compact it (with a garden roller). Check that is well levelled. Do not use the sand to level the ground. To install the pool properly, the finishing has to be perfectly leveled. If it is not the case, the different pressure differences on the contour might deform the stakes, or even make them split. Also, the water which would spread may damage the environment, or even cause accidents. Check again all the area level before beginning the following process: the assembling success depends on that phase quality.

ES

OPCIÓN 4A: INSTALACIÓN DE LA PISCINA SOBRE EL TERRENO.

Acabado: Encima del terreno limpio y nivelado esparciremos una fina capa (max.1 cm) de arena tamizada. Lo regaremos y compactamos (con un rodillo de jardín). Verificamos que esté bien nivelado. No usar la arena para nivelar el terreno. El acabado debe ser perfecto. Para que la piscina esté instalada correctamente, ha de estar a nivel. De no ser así, las diferencias de presión sobre el contorno podrían deformar los montantes, e incluso hacerlos estallar. El agua que así se escaparía podría perjudicar el ambiente e incluso provocar accidentes. Volver a comprobar el nivel de toda la superficie antes de pasar a la operación siguiente. El éxito del montaje depende de la calidad de esta fase.

FR

OPTION 4A : INSTALLATION DE LA PISCINE SUR LE TERRAIN.

Finition: Sur le terrain propre et nivelé, répartir une fine couche (max.1 cm) de sable tamisé. L'arroser et le compacter (avec un rouleau de jardin). Vérifier qu'il soit bien nivelé. Ne pas utiliser le sable pour niveler le terrain. La finition doit être parfaite. Pour que la piscine soit installée correctement, elle doit être de niveau. Si cela n'est pas le cas, les différences de pression sur le contour pourraient déformer les montants, voire les faire éclater. L'eau qui s'en échapperait alors pourrait endommager l'environnement, voire provoquer des accidents. Révérifier le niveau de toute la surface avant de passer à l'opération suivante: le succès du montage dépend de la qualité de cette phase.

DE

OPTION 4A: AUFSTELLEN DES POOLS AUF DEM GELÄNDE.

Finish: Auf dem sauberen und nivellierten Untergrund wird eine feine Schicht (max.1 cm) gesiebter Sand verteilt. Diese Schicht wird befeuchtet und verdichtet (mit einer Gartenwalze). Danach noch einmal auf einwandfreie Planierung prüfen. Der Sand darf nicht zum Nivellieren des Boden benutzt werden. Das Finish muss einwandfrei sein. Ein korrekt installiertes Schwimmbad muss nivelliert sein. Sonst können die Rahmenstützen durch den Wasserdruck auf den Umfang verformt und sogar herausgerissen werden. Das auslaufende Wasser kann für die Umwelt schädlich sein und sogar Unfälle verursachen. Überprüfen Sie die Nivellierung noch einmal über die gesamte Fläche, bevor Sie zum nächsten Arbeitsgang übergehen. Die erfolgreiche Montage hängt entscheidend von der Qualität der Ausführung dieser Phase ab.

IT

OPZIONE 4A: INSTALLAZIONE DELLA PISCINA SUL TERRENO.

Finitura: Sul terreno pulito e livellato si spargerà un sottile strato (max.1 cm) di sabbia setacciata. Quindi irrigare e compattare (con un rullo da giardino). Verificare che il terreno sia ben livellato. Non utilizzare la sabbia per livellare il terreno. La finitura deve essere perfetta. Affinché la piscina sia installata correttamente, essa deve essere a livello. Altrimenti, le differenze di pressione sul contorno potrebbero deformare i montanti, oppure farli saltare. La fuoriuscita d'acqua potrebbe così danneggiare l'ambiente o provocare eventuali incidenti. Verificare di nuovo il livello di tutta la superficie, prima di passare alla successiva operazione: il successo del montaggio dipende dalla qualità di questa fase.

NL

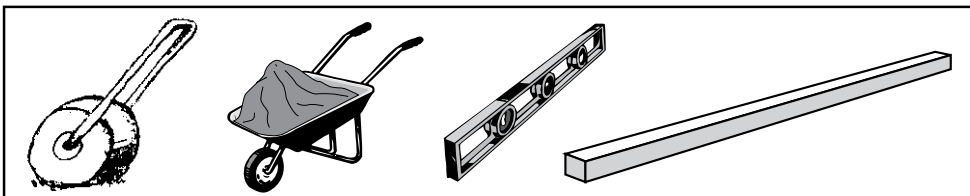
OPTIE 4A: INSTALLATIE VAN HET ZWEMBAD OP HET TERREIN.

Afwerking: Over het schone en genivelleerde terrein strooien we een fijne laag (maximaal 1 cm) gezeefd zand uit. Deze begieten we en stampen we aan (met een tuinpletter). We controleren de juiste nivellering. Gebruik het zand niet voor het nivelleren van het terrein. De afwerking dient volmaakt te zijn. Voor de juiste installatie van het zwembad dient de grond genivelleerd te liggen. Indien de grond niet waterpas ligt, kunnen de drukverschillen op de omtrek de stijlen vervormen en kunnen deze bovendien breken. Het water die dan zou ontsnappen zou schade aan de omgeving kunnen berokkenen en tevens ongelukken veroorzaken. Controleer het niveau van de gehele oppervlakte opnieuw voordat wordt overgegaan tot de navolgende handeling en houd voor ogen dat het succes van de montage afhangt van de kwaliteit van deze fase.

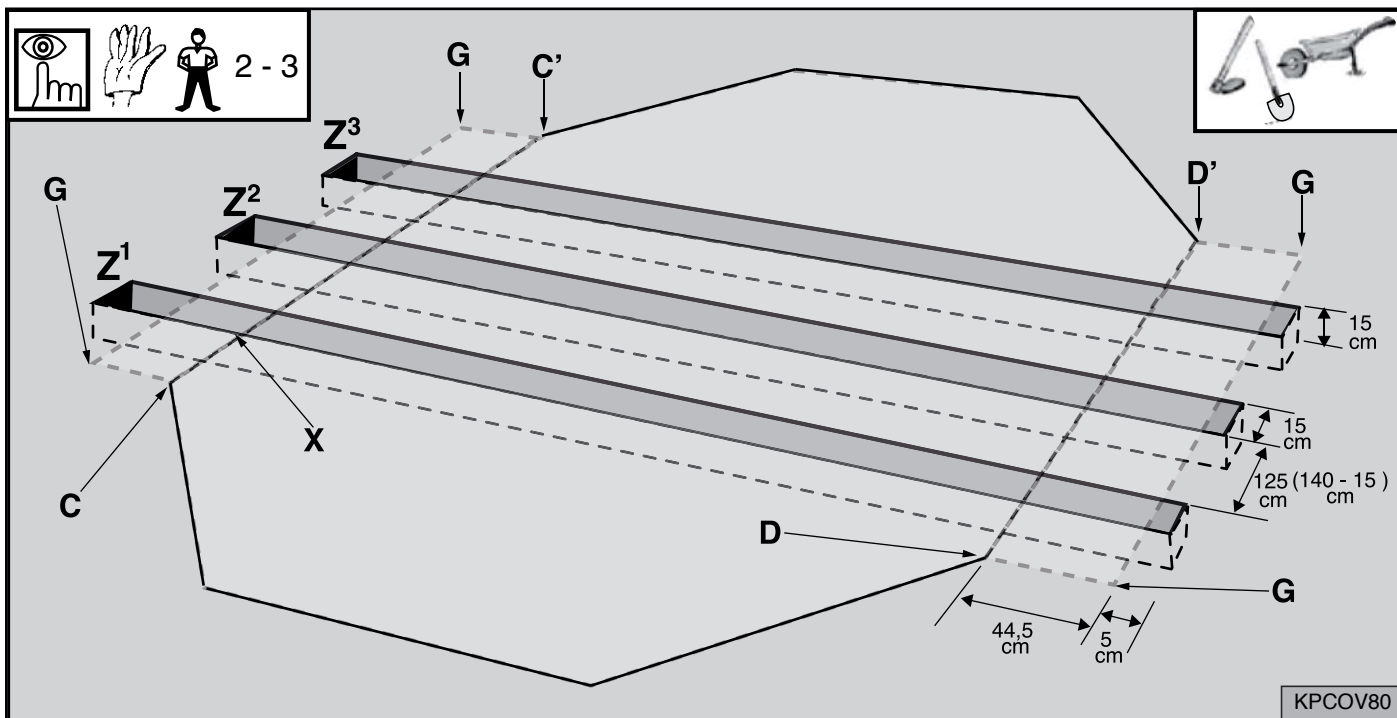
PT

OPÇÃO 4A: INSTALAÇÃO DA PISCINA SOBRE O TERRENO.

Acabamento: Encima do terreno limpo e nivelado, pôr uma camada fina (max.1 cm) de areia tamizada. Depois rega-se e compacta-se (com um rodízio de jardim). Verificar se está bem nivelado. Não utilizar a areia para nivelar o terreno. O acabamento deve ser perfeito. Para que a piscina fique instalada correctamente, tem que estar nivelada. Se não ficar assim, as diferenças de pressão sobre o contorno poderiam deformar as armações e inclusivamente fazer-las estalar. A água que assim se escaparia poderia prejudicar o ambiente e inclusivamente provocar acidentes. Voltar a comprovar o nível de toda a superfície antes de passar à operação seguinte: o êxito da montagem depende da qualidade desta fase.

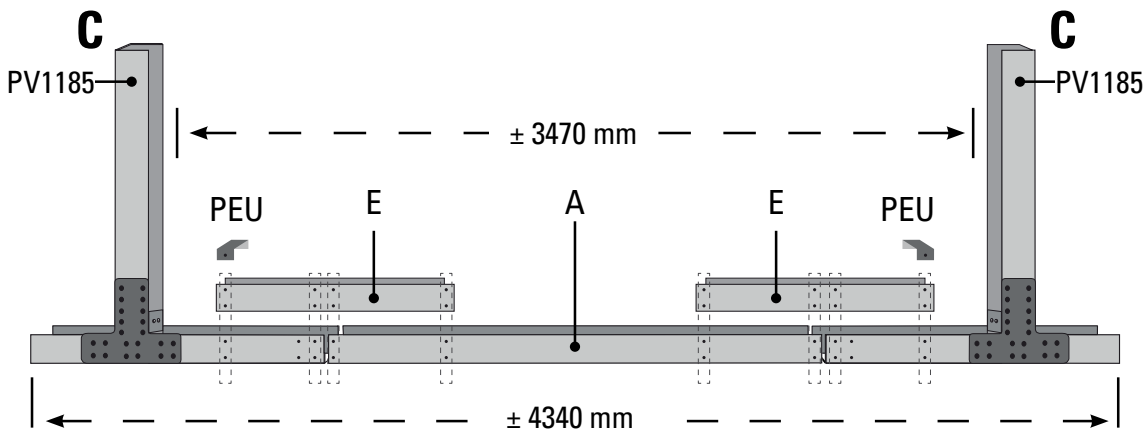


Tool necessary (not included)
 Herramienta necesaria (no incluida)
 Outil nécessaire (non compris)
 Erforderliches Werkzeug (nicht eingeschlossen)
 Utensile necessario (non compreso)
 Benodigd gereedschap (niet inbegrepen)
 Ferramenta necessária (não está incluída)

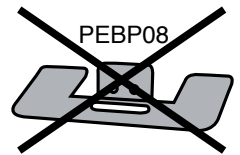
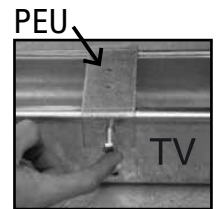



REFS.	N° Z	X - C	Z SIZES	D - G = D' - G
KPCOV52 (L)	Z ¹	+/- 150 cm	444 x 15 x 15 cm	45,5 cm
KPCOV66 (L)	Z ¹ + Z ²	+/- 150 cm	444 x 15 x 15 cm	45,5 cm
KPCOV80	Z ¹ + Z ² + Z ³	+/- 150 cm	444 x 15 x 15 cm	45,5 cm

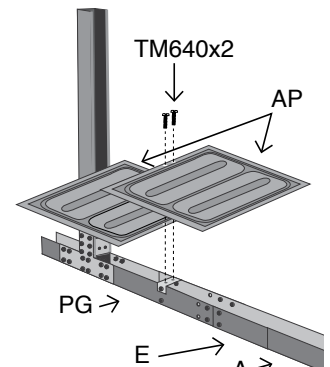
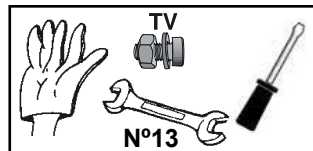
- EN Instructions for installing oval pools:** KPCOV52(L), KPCOV66 (L), KPCOV80. Not valid for the octagonal pool.
If you have an octagonal pool, go to page 44.
Pool Installation: It is advisable that the pool is installed by two or more adults.
For your safety, it is recommended that you use gloves. Avoid windy days.
Perform all of these steps on a firm, level ground before digging the respective trenches.
Realization of the ditches (Z): depending on the pool model, dig the trenches according to the drawings.
Dimensions of z = length x width x depth.
From the center of each trench the distance between one ditch and another, (z1, z2, z3) is 140 cm.
- ES Instrucciones para instalar piscinas ovaladas:** KPCOV52(L), KPCOV66 (L), KPCOV80. No válido para la piscina octogonal.
Si usted tiene una piscina octogonal, sítese en la página 44.
Instalación de la piscina: Se aconseja montar la piscina entre dos o más personas adultas.
Por su seguridad, es recomendable utilizar guantes.
Evitar días con viento. Realizar todos estos pasos sobre un suelo firme y nivelado antes de hacer las respectivas zanjas.
Realización de las zanjas (Z): en función de su modelo de piscina, efectuar las zanjas según los dibujos.
Dimensiones de Z = longitud x anchura x profundidad.
La distancia entre una zanja y otra, desde el centro de cada zanja (z1, z2, z3) es de 140 cm.
- FR Instructions pour installer des piscines ovales:** KPCOV52(L), KPCOV66 (L), KPCOV80. Non valable pour la piscine octogonale.
Si vous possédez une piscine octogonale, consultez la page 44.
Installation de la piscine: pour procéder au montage de la piscine, il est nécessaire de compter avec deux personnes adultes ou plus.
Pour votre sécurité, il est conseillé d'utiliser des gants.
Éviter de le faire les jours venteux. Effectuer toutes les étapes sur un sol ferme et à niveau avant de faire les fossés respectifs.
Réalisation des fossés (Z): effectuez les fossés selon les dessins, en fonction du modèle de votre piscine.
Dimensions de Z = longueur x largeur x profondeur.
La distance entre un fossé et un autre depuis le centre de chaque fossé (z1, z2, z3) est de 140 cm.
- DE Hinweise zum Aufstellen von ovalen Pools:** KPCOV52(L), KPCOV66 (L), KPCOV80. Gilt nicht für den achteckigen Pool.
Falls Sie einen achteckigen Pool haben, lesen Sie bitte auf Seite 44 weiter.
Aufstellen des Pools: Es empfiehlt sich, den Pool von mindestens zwei Erwachsenen aufstellen zu lassen.
Zu Ihrer Sicherheit ist es empfehlenswert, Handschuhe zu tragen. Windige Tage meiden.
Vor dem Anlegen der jeweiligen Gräben all diese Schritte auf einem festen und eingeebneten Untergrund vornehmen.
Anlegen der Gräben (Z): je nach Modell des Pools die Gräben gemäß Zeichnungen anlegen.
Abmessungen von Z = Länge x Breite x Tiefe.
Der Abstand zwischen den Gräben, von der Mitte des jeweiligen Grabens (z1, z2, z3), beträgt 140 cm.
- IT Istruzioni per l'installazione di piscine ovali:** KPCOV52(L), KPCOV66 (L), KPCOV80. Non valido per piscine ottagonali.
Se possiede una piscina ottagonale, consultare pagina 44.
Installazione della piscina: Il montaggio della piscina deve preferibilmente essere effettuato da due o più persone adulte.
Per sicurezza si consiglia di utilizzare dei guanti. Evitare giornate ventose.
Effettuare i passaggi indicati su un terreno stabile e livellato prima di effettuare i rispettivi scavi.
Realizzazione degli scavi (Z): in base al modello della piscina, effettuare gli scavi seguendo quanto indicato nei disegni.
Dimensioni di S = lunghezza x larghezza x profondità.
La distanza tra uno scavo e l'altro, dal centro di ogni scavo (z1, z2, z3) è di 140 cm.
- NL Instructies voor het installeren van ovale zwembaden:** KPCOV52(L), KPCOV66 (L), KPCOV80. Niet geldig voor het achthoekige zwembad.
Indien u een achthoekig zwembad heeft, kijkt u op pagina 44.
Installatie van het zwembad: Het wordt aanbevolen om het zwembad met twee of meer volwassen personen te monteren.
Voor uw veiligheid, bevelen we aan om handschoenen te gebruiken. Vermijd dagen met wind.
Voer al deze stappen uit op een stevige, vlakke ondergrond voordat de betreffende geulen worden gegraven.
Uitvoering van de geulen (Z): Afhankelijk van uw model zwembad, voert u het graven van de geulen uit zoals op de tekeningen aangegeven. Afmetingen van Z = lengte x breedte x diepte.
De afstand tussen de ene en de andere geul, vanaf het midden van elke geul (z1, z2, z3), bedraagt 140 cm.
- PT Instruções para instalar piscinas ovaladas:** KPCOV52(L), KPCOV66 (L), KPCOV80. Não válido para a piscina octogonal.
Se tiver uma piscina octogonal, vá para a página 44.
Instalação da piscina: Aconselha-se montar a piscina entre duas ou mais pessoas adultas.
Pela sua segurança, é recomendável utilizar luvas. Evitar dias com vento.
Realizar todos estes passos sobre um piso firme e nivelado antes de fazer as respetivas valas.
Realização das valas (Z): Em virtude do seu modelo de piscina, efetuar as valas conforme os desenhos.
Dimensões de Z = comprimento x largura x profundidade.
A distância entre uma vala e outra, a partir do centro de cada vala (z1, z2, z3) é de 140 cm.



4A



	KPCOV52	KPCOV66 (L)	KPCOV80
 1C= <ul style="list-style-type: none"> 1 PV1185 + 4 PEA0 + 2 PEU2 + 1 PEU + 1 PG 	2	4	6



EN Mounting of the columns (C) and the interior structure:

- 1°- Mount each column with the following parts:
1 PV1185 + 4PEAO + 1 PG + 2PEU2 + 1PEU with the "TV" screws, as shown on the next page.
- 2°- Join the "E" crossbar to the "C" column through the "PEU" parts. Screw studs with the "TV" bolts, nuts and washers.
- 3°- Join the "A" crossbar + the second "E" crossbar, with the "TV" screws.
To complete assembly of the structure, join the other "C" column, as shown in this picture.
- 4°- Place a **plate AP** so that the two holes coincide with the two holes in the part PEU (the closest to the PV1185). Then place the other part **AP** and fasten it using 2 **TM640** screws. (Before fitting the plates **AP** it is best to introduce the assembled beams in the ditch already prepared).

ES Montaje de las columnas (C) y la estructura interior:

- 1°- Monte cada columna con las siguientes piezas:
1 PV1185 + 4PEAO + 1 PG + 2PEU2 + 1PEU con los tornillos "TV", como se muestran en la página siguiente.
- 2°- Una el travesaño "E" a la columna "C" mediante las piezas "PEU". Atornille los travesaños con los tornillos, tuercas y arandelas "TV".
- 3°- Una el travesaño "A" + el segundo travesaño "E", con los tornillos "TV".
Para finalizar el montaje de la estructura, una la otra columna "C", como se muestra en esta imagen.
- 4°- Situe una **Aleta AP** de manera que sus 2 orificios coincidan con los 2 orificios que tiene la pieza PEU. A continuación situe la otra **Aleta AP** y sujete con 2 tornillos **TM640**. (La colocación de las aletas **AP** conviene realizarla cuando introduzca las vigas montadas en la zanja ya preparada).

FR Montage des colonnes (C) et de la structure intérieure:

- 1°- Montez chaque colonne avec les pièces suivantes :
1 PV1185 + 4PEAO + 1 PG + 2PEU2 + 1PEU avec les vis "TV", tel que cela est indiqué à la page suivante.
- 2°- Reliez la traverse "E" à la colonne "C" avec la pièce "PEU". Vissez les traverses avec les vis, les écrous et les rondelles "TV".
- 3°- Reliez la traverse "A" + la deuxième traverse "E" avec les vis "TV".
Pour terminer le montage de la structure, reliez l'autre colonne "C", tel que cela est indiqué sur cette image.
- 4°- Mettre l'**Ailette AP** en faisant coïncider ses 2 orifices avec les 2 orifices de la pièce PEU. Puis placer l'**autre Ailette AP** et les fixer avec 2 vis **TM640**. (Mettre les ailettes **AP**, après avoir introduit les supports montés dans la fosse préparée auparavant).

DE Zusammenbau der Säulen (c) und der Innenkonstruktion:

- 1°- Bauen Sie alle Säulen mit den "TV"-Schrauben aus folgenden Teilen zusammen:
1 PV1185 + 4PEAO + 1 PG + 2PEU2 + 1PEU, wie auf der folgenden Seite dargestellt.
- 2°- Mittels "PEU"-Teilen Querbalken "E" mit Säule "C" verbinden. Querbalken mit den "TV"-Schrauben, den Muttern und Unterlegscheiben zusammen verschrauben.
- 3°- Querbalken "A" + Querbalken "E".
Um den Zusammenbau der Konstruktion abzuschließen, die andere Säule "C" damit verbinden, wie diese Abbildung zeigt.
- 4°- Legen Sie eine **Platte AP** so, dass deren zwei Bohrungen auf die beiden Bohrungen des Teils PEU treffen. Platzieren Sie dann eine zweite **Platte AP** und befestigen Sie sie mit 2 Schrauben **TM640**. (Die **Platten AP** sollten zweckmäßigerweise verlegt werden, wenn Sie die bereits montierten Träger in den vorbereiteten Bodeneinschnitt einlassen).

IT Montaggio delle colonne (C) e della struttura interna:

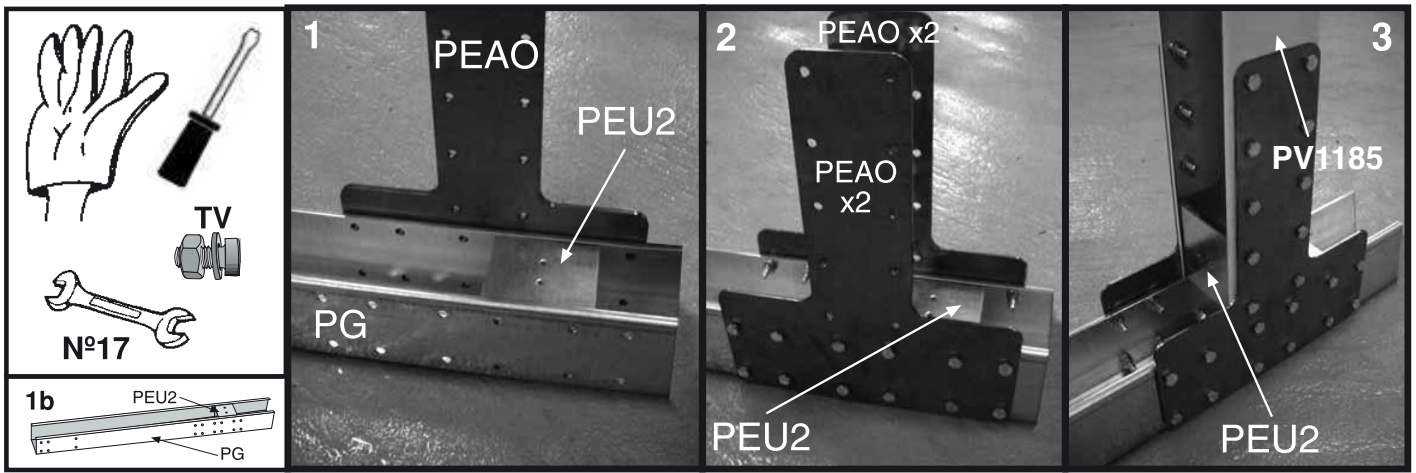
- 1°- Montare ogni colonna con i pezzi indicati a continuazione:
1 PV1185 + 4PEAO + 1 PG + 2PEU2 + 1PEU con le viti "TV" come viene mostrato nella pagina successiva.
- 2°- Unire la traversa "E" alla colonna "C" mediante i pezzi "PEU". Avvitare le traverse utilizzando le viti, i dadi e le rondelle "TV".
- 3°- Unire la traversa "A" + la seconda traversa "E", con le viti "TV".
Per terminare il montaggio della struttura, unire l'altra colonna "C", come indicato nell'immagine.
- 4°- Situare un'**Aletta AP** in modo che i suoi 2 fori coincidano con i 2 fori che ha il pezzo PEU. Situare quindi l'altra **Aletta AP** e fermare con 2 viti **TM640**. (La collocazione delle alette **AP** è consigliabile eseguirla, quando si inseriscono le travi montate nel fosso già pronto).

NL Montage van de steunpilaren (C) en de interne opbouw:

- 1°- Monteer elke steunpilaar met de volgende onderdelen:
1 PV1185 + 4PEAO + 1 PG + 2PEU2 + 1PEU con de schroeven "TV", zoals wordt aangegeven op de volgende pagina.
- 2°- Verbind dwarsbalk "E" aan de steunpilaar "C" door middel van de onderdelen "PEU". Schroef de dwarsbalken vast met de schroeven, moeren en ringen "TV".
- 3°- Verbind dwarsbalk "A" + tweede dwarsbalk "E", con de schroeven "TV".
Om de montage van de opbouw af te maken, de andere steunpilaar "C" verbinden, zoals aangegeven op deze afbeelding.
- 4°- Situeer een **metalen plaat AP** op zodanige wijze dat de twee gaten daarvan overeenkomen met de twee gaten die zich in het onderdeel **PEU** bevinden (de dichtstbijzijnde aan de PV1185). Plaats vervolgens de andere metalen plaat **AP** en zet deze vast met twee schroeven **TM640** (het is raadzaam de plaatsing van de metalen plaat **AP** uit te voeren wanneer u de gemonteerde balken in de reeds gereedgemaakte geul gaat inbrengen).

PT Montagem das colunas (C) e a estrutura interior:

- 1°- Monte cada coluna com as seguintes peças:
1 PV1185 + 4 PEA0 + 1 PG + 2 PEU2 + 1PEU com os parafusos "TV", como amostrado na página seguinte.
- 2°- uma a travessa "E" à coluna "C" por meio das peças "PEU". Aparafuse as travessas com os parafusos, porcas e arruelas "TV".
- 3°- uma a travessa "A" por meio das peças "PEU" e, em seguida, a segunda travessa "E", com os parafusos "TV". Para finalizar a montagem da estrutura, uma a outra coluna "C", como amostrado nesta imagem.
- 4°- Situe uma **Aleta AP** de maneira que os 2 orificios coincidam com os 2 orificios que leva a peça PEU. Depois, coloque a outra **Aleta AP** e sujeite com 2 parafusos **TM640**. (Aconselha-se efectuar a colocação das aletas **AP** quando inserir as vigas montadas na vala já preparada).



4A

EN Beam assembly

Perform all of these steps on firm, level ground. It is important to perform assembly of these parts in a wide and level space for greater convenience.

1-Place the "PEU2" piece so that the 4 holes in each one of the sides, match with the second and third row of holes of the PG (See photo 1b). The side with two holes must be on the top. Do not screw the "TV" until the PEA0 parts are in place.

2- Place 2 pieces "PEAO" on each side from the outside of the PG crossbeam and screw them (with TV screws and number 13 key). Then put the PV1185 piece into place. Insert another PEU2 piece from the top to the bottom of the PV1185 column, until it reaches the "PG" piece. Then, secure it with flat screws through the "PEAO" pieces.

ES Montaje de las vigas

Realice todos estos pasos sobre un suelo firme y nivelado. Es importante que realice el montaje de estas partes en un espacio amplio y nivelado para mayor comodidad.

1-Coloque la pieza "PEU2" de forma que los 4 agujeros que tiene en cada uno de los lados, coincidan con la segunda y tercera fila de agujeros del PG (ver foto 1b). El lado con dos agujeros tiene que quedar en la parte de arriba. No atornille los "TV" hasta colocar las piezas PEA0.

2-Coloque 2 piezas juntas "PEAO" a cada lado y por el exterior del travesaño PG y atornillelas (con tornillos TV y llave del número 13). Después coloque la pieza PV1185. Inserte otra pieza PEU2 desde la parte de arriba hasta la parte inferior de la columna PV1185, hasta que haga tope con la pieza "PG" y atornillela con tornillos TV a través de las piezas "PEAO".

FR Montage des poutres

Effectuez ces étapes sur un sol ferme et à niveau. Il est important de procéder au montage de ces parties dans un espace à la fois ample et nivelé pour davantage de confort.

1-Placez la pièce "PEU2" de façon que les 4 trous de chaque côté coïncident avec la deuxième et la troisième rangée de trous du PG (voir photo 1b). Le côté avec deux trous doit rester sur la partie du haut. Ne vissez pas les "TV" avant d'avoir placé les pièces PEA0.

2-Placez deux pièces "PEAO" ensemble de chaque côté et par l'extérieur de la traverse PG et vissez-les (avec des vis TV et une clé numéro 13). Placez ensuite la pièce PV1185. Introduisez une autre pièce PEU2 depuis la partie supérieure jusqu'à la partie inférieure de la colonne PV1185, jusqu'à atteindre la pièce "PG", puis vissez-la avec des vis TV à travers les pièces "PEAO".

DE Zusammenbau der Balken

All diese Schritte auf einem festen und eingeebneten Untergrund durchführen. Für mehr Bequemlichkeit ist es wichtig, den Zusammenbau dieser Teile in einem geräumigen und planierten Bereich vorzunehmen.

1-Platzieren Sie Teil „PEU2“ so, dass die 4 Bohrungen, die es an allen Seiten hat, mit der zweiten und dritten Reihe der Bohrungen des PG übereinstimmen (siehe Foto 1b). Die Seite mit zwei Bohrungen muss im oberen Teil sein. Verschrauben Sie die „TV“ erst nach Platzierung der PEA0-Teile.

2-Platzieren Sie die 2 „PEAO“-Teile gemeinsam an jeder Seite und von außen am PG-Querbalken und verschrauben Sie sie (mit TV-Schrauben und Schlüssel Nr. 13). Danach Teil PV1185 platzieren. Ein weiteres PEU2-Teil von oben bis zum unteren Teil von Säule PV1185 einsetzen, bis es auf das PG-Teil stößt und mit TV-Schrauben durch die „PEAO“-Teile verschrauben.

IT Montaggio dei traversini

Effettuare tutti i passaggi su un terreno solido e ben livellato. È importante che il montaggio delle parti di cui sopra venga effettuato, per una maggiore comodità, in uno spazio ampio e bel livellato.

1-Posizionare il pezzo "PEU2" in modo che i 4 fori posti su ciascuno dei lati coincidano con la seconda e la terza fila di fori del PG (vedi foto 1b). Il lato con i due fori deve rimanere posizionato nella parte superiore. Non avvitare i "TV" prima di aver posizionato i PEA0.

2-Posizionare 2 pezzi uniti "PEAO" per ogni lato e all'esterno del traverso PG e avvitarli (con viti TV e chiave del 13). Successivamente posizionare il pezzo PV1185. Inserire un altro pezzo PEU2 dalla parte superiore fino a quella inferiore della colonna PV1185, fino a che non vada contro al pezzo PG" e avvitarlo con le viti TV attraverso i pezzi "PEAO".

NL Montage van de balken

Voer al deze stappen uit op een stevige en geëgaliseerde ondergrond. Het is van belang dat u de montage van deze onderdelen uitvoert op een ruime en geëffende plaats voor het grootste gemak.

1- Plaats onderdeel "PEU2" op zo'n manier dat de 4 gaten die er aan elk van de zijden in zitten, samenvallen met de tweede en derde rij gaten van de PG (zie foto 1b). De zijde met twee gaten moet aan de bovenzijde komen te zitten. De delen "TV" niet vastzetten voordat de onderdelen PEA0 zijn geplaatst.

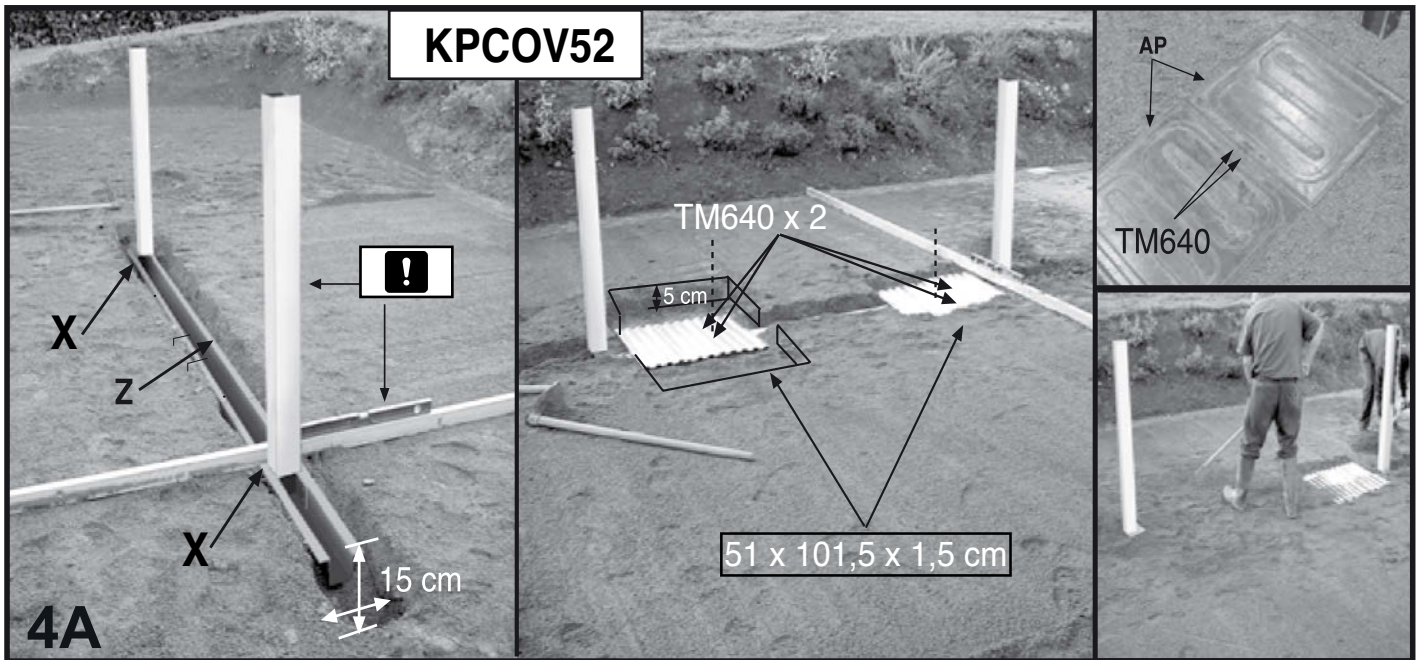
2- Plaats 2 verbindingstukken "PEAO" aan elke zijde en via de dwarsbalk PG, en schroef ze vast (met TV-schroeven en een sleutel nummer 13). Daarna plaatst u onderdeel PV1185. Nog een deel PEU2 insteken vanaf de bovenzijde tot aan het onderste deel van de steunpilaar PV1185, totdat hij stopt bij onderdeel "PG" en zet hem dan vast met schroeven TV door middel van de onderdelen "PEAO".

PT Montagem das travessas

Realize todos esses passos sobre um piso firme e nivelado. É importante que realize a montagem destas partes num espaço amplo e nivelado para um maior conforto.

1 – Coloque a peça "PEU2", de forma que os 4 furos que tem em cada uno dos lados coincidam com a segunda e terceira filas de furos do PG (ver fotografia 1b). O lado com dois furos tem que ficar na parte de cima. Não aparafuse os "TV" até colocar as peças PEA0.

2 – Coloque 2 peças juntas "PEAO" a cada lado e pelo exterior da travessa PG e aparafuse-as (com parafusos TV e chave do número 13). Depois, coloque a peça PV1185. Insira mais uma peça PEU2 da parte de cima até à parte inferior da coluna PV1185, até tocar na peça "PG" e aparafuse-a com parafusos TV através das peças "PEAO".



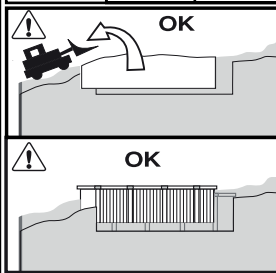
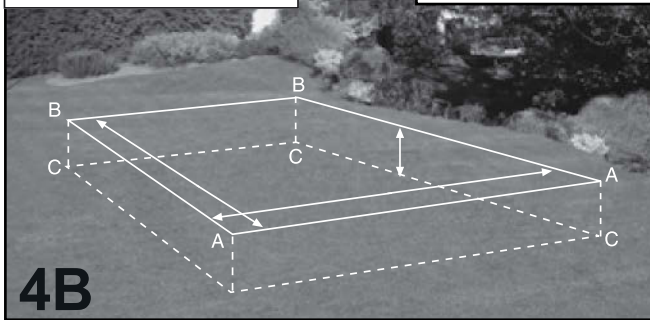
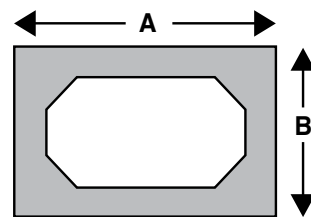
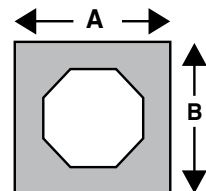
		AP			
KPCOV52 (L)	4 = 51 x 52 x 1,5 cm				
KPCOV66 (L)	8 = 51 x 52 x 1,5 cm				
KPCOV80	12 = 51 x 52 x 1,5 cm				

- EN** Place and install the crossbars in the trench.
Before fitting the plates **AP** it is best to introduce the assembled beams in the ditch already prepared.
Fill with soil, compact and level it.
Check the level of the columns (correctly leveled) (N).
The base of the structure should be completely covered (2 cm of sand over the base of the **PEAO** piece). To do this, use a thin layer of sand and compact it as much as possible.
- ES** Presentar e instalar los travesaños en la zanja.
La colocación de las aletas **AP** conviene realizarla cuando introduzca las vigas montadas en la zanja ya preparada.
Rellenarla con tierra, compactar y nivelar.
Controlar el nivel de las columnas (correctamente niveladas) (N).
Debe tapar la base de la estructura por completo (2 cm de arena sobre la base de la pieza **PEAO**). Para ello utilice una fina capa de arena y compactela lo máximo posible.
- FR** Présenter et installer les traverses dans le fossé.
Mettre les ailettes **AP**, après avoir introduit les supports montés dans la fosse préparée auparavant.
Le remplir avec de la terre, compacter et niveler.
Contrôler le niveau des colonnes (nivelage correct) (N).
Il faut complètement cacher la base de la structure (avec 2 cm de sable sur la base de la pièce **PEAO**). Pour cela, utiliser une fine couche de sable et compacter le maximum possible.
- DE** Querbalken am Graben vorlegen und anbringen.
Die Platten **AP** sollten zweckmäßigerweise verlegt werden, wenn Sie die bereits montierten Träger in den vorbereiteten Bodeneinschnitt einlassen.
Mit Erde auffüllen, verdichten und eibnen.
Die Höhe der Säulen kontrollieren (richtig nivelliert) (N).
Sie muss die Basis der Konstruktion vollständig bedecken (2 cm Sandschicht auf dem Sockel von Teil **PEAO**). Verwenden Sie hierfür eine feine Sandschicht und verdichten Sie diese so stark wie möglich.
- IT** Posizionare i traversini nello scavo.
La collocazione delle alette **AP** è consigliabile eseguirla, quando si inseriscono le travi montate nel fosso già pronto.
Riempirlo con terra, compattarla e livellarla.
Controllare il livello delle colonne (correttamente livellate) (N).
Occorre coprire completamente la base della struttura (uno strato di 2 cm di sabbia sulla base del componente **PEAO**). A tal proposito utilizzare uno strato fine di sabbia e compattarla il più possibile.
- NL** De dwarsbalken op hun plek brengen en in de geul installeren.
Het is raadzaam de plaatsing van de metalen plaat **AP** uit te voeren wanneer u de gemonteerde balken in de reeds gereedgemaakte geul gaat inbrengen.
Vul deze met aarde, aanstampen en effenen.
Controleer het niveau van de steunpilaren (correct gelijk geplaatst) (N).
De basis van de structuur moet geheel worden afgedekt (2 cm van zand op de basis van onderdeel **PEAO**). Gebruik daarvoor een dunne laag zand en duw deze zo strak mogelijk aan.
- PT** Colocar e instalar as travessas na vala.
Aconselha-se efectuar a colocação das aletas **AP** quando inserir as vigas montadas na vala já preparada.
Enchê-la com terra, compactar e nivelar.
Controlar o nível das colunas (corretamente niveladas) (N).
Deve tapar a base da estrutura completamente (2 cm de areia sobre a base da peça **PEAO**). Para isso, utilize uma fina camada de areia e compacte-a o máximo possível.

Tool necessary (not included)
 Herramienta necesaria (no incluida)
 Outil nécessaire (n'est pas compris)
 Erforderliches Werkzeug (nicht eingeschlossen)
 Utensile necessario (non compreso)
 Benodigd gereedschap (niet inbegrepen).
 Ferramenta necessária (não está incluída)



	A	B
KPCO41	4,46 m	4,46 m
KPCOV52(L)	5,86 m	4,46 m
KPCOV66(L)	7,26 m	4,46 m
KPCOV80	8,66 m	4,46 m



EN OPTION 4B: INSTALLATION OF THE SWIMMING POOL IN CONCRETE SLAB

- Prior to installing the pool, you need to create a reinforced concrete slab which is a minimum 150 Kg/m³ of 15 cm thick. It must be a perfectly flat and horizontal slab.
- Perform a small excavation in the form of a rectangle, according to the measurements of the table.
- Before pouring the concrete, for the KPCOV52(L), KPCOV66(L) and KPCOV88 models, you must place the structural system perfectly leveled (columns and interior structure, beams). Page 39.
- The distance between the center of the columns is 1400 mm
- Once the structure is in place, the mesh can be placed on top.
- Be sure to immobilize the structure so that when the concrete is poured it will not move.
- The base of the structure should be completely covered (2 cm of concrete over the base of the PEA0 piece).

ES OPCIÓN 4B: INSTALACIÓN DE LA PISCINA EN SOLERA DE HORMIGÓN

- Previo a instalar la piscina, tiene que ejecutar una solera de hormigón armado de mínimo 150 Kg/m³ de 15 cm de espesor. Deberá ser una solera perfectamente plana y horizontal.
- Realice una pequeña excavación en forma de rectángulo, según las medidas de la tabla.
- Antes de verter el hormigón, para los modelos KPCOV52(L), KPCOV66(L), KPCOV88, debe colocar el sistema estructural perfectamente nivelado (columnas y estructura interior, vigas). Página 39.
- La distancia entre el centro de las columnas es de 1400 mm. Una vez colocada la estructura, puede colocar encima el mallazo.
- Asegúrese de inmovilizar bien la estructura para que al verter el hormigón no se mueva.
- Debe tapar la base de la estructura por completo (2 cm de hormigón sobre la base de la pieza PEA0).

FR OPTION 4B : INSTALLATION DE LA PISCINE SUR UN SOL EN BÉTON

- Avant l'installation de la piscine, il faut exécuter un sol en béton armé d'au moins 150 Kg/m³ de 15 cm d'épaisseur. Le sol devra être parfaitement plat et horizontal.
- Creusez légèrement une surface sous forme de rectangle, selon les mesures indiquées sur le tableau.
- Avant de verser le béton, pour les modèles KPCOV52(L), KPCOV66(L), KPCOV88, vous devrez placer le système structurel parfaitement nivelé (colonnes et structure intérieure, poutres). Page 39.
- La distance entre le centre des colonnes est de 1400 mm.
- Après avoir placé la structure, vous pourrez placer dessus le treillis.
- Assurez-vous d'immobiliser correctement la structure pour qu'elle ne se déplace pas au moment de verser le béton.
- Vous devez complètement cacher la base de la structure (avec 2 cm de béton sur la base de la pièce PEA0).

DE OPTION 4B: AUFBAU DES POOLS AUF EINER BETONPLATTE

- Vor Aufstellen des Pools müssen Sie eine Betonplatte aus Stahlbeton mit mindestens 150 kg/m³ und 15 cm Stärke erstellen. Es muss eine vollkommen ebene und horizontale Platte sein.
- Erstellen Sie eine kleine Aushöhlung in der Form eines Rechtecks, gemäß Abmessungen in der Tabelle.
- Für die Modelle KPCOV52(L), KPCOV66(L) und KPCOV88 muss vor Eingießen des Betons das Struktursystem einwandfrei waagrecht platziert werden (Säulen und Innenkonstruktion, Balken). Seite 39 weiter.
- Der Abstand zwischen der Mitte der Säulen beträgt 1400 mm.
- Nach Platzierung der Struktur kann die Bewehrungsmatte verlegt werden.
- Achten Sie darauf, die Struktur gut zu immobilisieren, damit sie sich beim Eingießen des Betons nicht bewegt.
- Sie muss die Basis der Struktur vollständig bedecken (2 cm Beton auf dem Sockel von Teil PEA0).

IT OPZIONE 4B: INSTALLAZIONE DELLA PISCINA SU UNA SOLETTA DI CEMENTO

- Prima di installare la piscina occorre preparare una soletta di cemento armato di minimo 150 Kg/m³ e 15 cm di spessore. Dovrà essere perfettamente piana e orizzontale.
- Effettuare un piccolo scavo a forma rettangolare secondo le misure indicate in tabella.
- Prima di versare il cemento, per i modelli KPCOV52(L), KPCOV66(L), KPCOV88, occorre posizionare il sistema strutturale perfettamente livellato (colonne e struttura interna, traversini). Pagina 39.
- La distanza tra il centro delle colonne è di 1400 mm
- Una volta posizionata la struttura è possibile posizionarvi sopra il reticolato.
- Assicurarsi di immobilizzare correttamente la struttura affinché non si muova al momento di versare il cemento.
- Occorre coprire completamente la base della struttura (uno strato di 2 cm di cemento sulla base del componente PEA0).

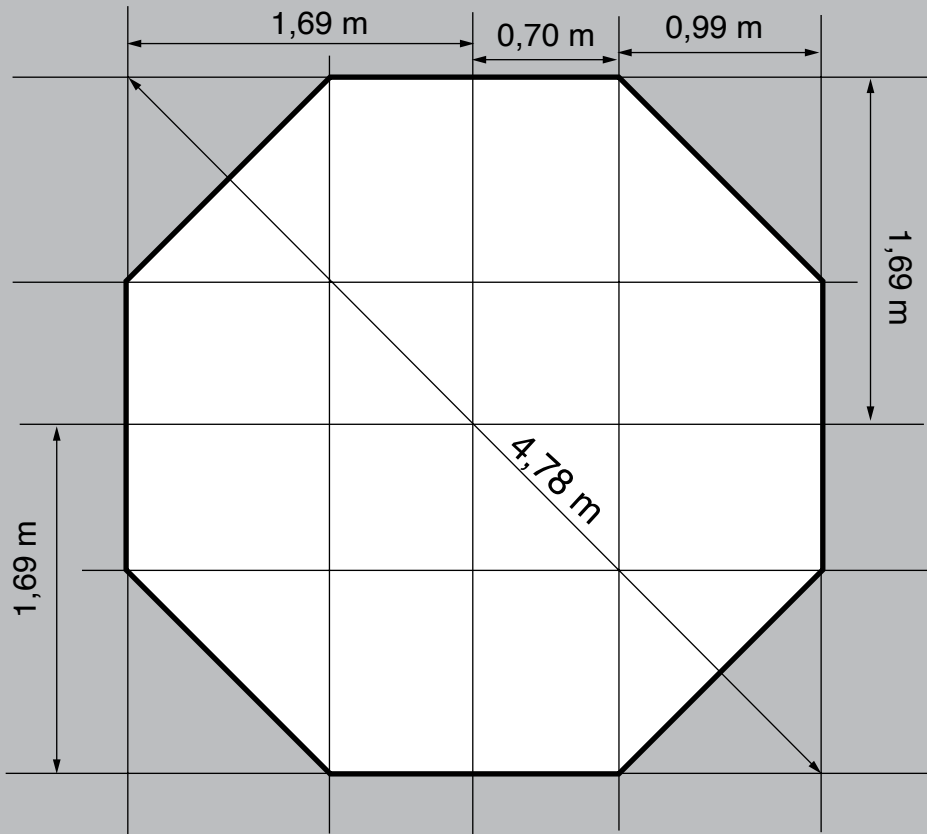
NL OPTIE 4B: INSTALLATIE VAN HET ZWEMBAD OP EEN PLAAT VAN BETON

- Voordat het zwembad wordt geïnstalleerd, moet er een plaat van gewapend beton worden aangelegd die een dikte heeft van 15 cm en een gewicht van 150 Kg/m³. De plaat moet perfect vlak en horizontaal zijn.
- Graaf een stuk aarde uit in de vorm van een rechthoek, volgens de afmetingen op de tabel.
- Voordat het beton wordt gegoten, voor de modellen KPCOV52(L), KPCOV66(L), KPCOV88, moet het structurele systeem worden geplaatst en dat moet perfect geëffend zijn (steunpilaren en interne opbouw, balken). Page 39.
- De afstand tussen het centrum van de steunpilaren is 1400 mm
- Nadat de structuur is geplaatst, kan het ijzervlechtwerk worden geplaatst.
- Zorg ervoor dat de structuur goed gefixeerd wordt om te voorkomen dat ze tijdens het gieten van het beton niet van haar plaats komt.
- De basis van de structuur moet geheel worden afgedekt (2 cm beton op de basis van onderdeel PEA0).

PT OPÇÃO 4B: INSTALAÇÃO DA PISCINA EM SOLEIRA DE BETÃO

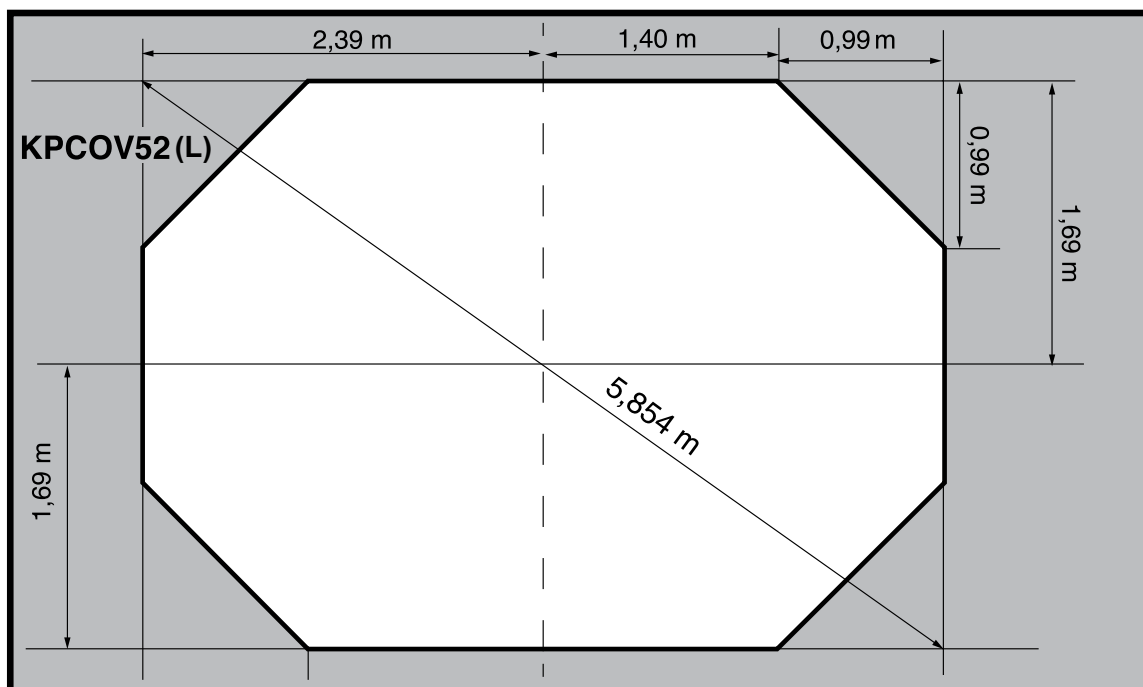
- Antes de instalar a piscina, deve construir uma soleira de betão armado com um mínimo de 150 kg/m³ de 15 cm de espessura. Deverá ser uma soleira perfeitamente plana e horizontal.
- Realize uma pequena escavação em forma de retângulo, de acordo com as dimensões indicadas na tabela.
- Antes de deitar o betão, para os modelos KPCOV52(L), KPCOV66(L), KPCOV88, deve colocar o sistema estrutural perfeitamente nivelado (colunas e estrutura interior, traves). Página 39.
- A distância entre o centro das colunas é de 1400 mm.
- Após colocada a estrutura, pode situar em cima a malha.
- Certifique-se de imobilizar bem a estrutura para que ao deitar o betão não se mova.
- Deve tapar completamente a base da estrutura (2 cm de betão sobre a base da peça PEA0).

KPC041



4B

- EN KPC041:**
Once the floor or the ground have been properly leveled, the ground will be marked with lines where the inside face of the swimming pool panels will be placed.
It is time to check the measurements.
If not, the task needs to be performed again.
- ES KPC041:**
Una vez la soleira o el terreno están correctamente nivelados, se procederá a marcar en el suelo las líneas donde apoyará la cara interior de los paneles de la piscina.
Es el momento de comprobar las medidas.
Si no coinciden, hay que realizar de nuevo este ejercicio.
- FR KPC041 :**
Une fois que le sol ou le terrain sont complètement nivelés, il faudra procéder au marquage des lignes sur le sol où reposera la face intérieure des panneaux de la piscine.
À ce stade, il faut vérifier les mesures.
Si elles ne coïncident pas, il faudra effectuer cet exercice à nouveau.
- DE KPC041:**
Sobald Platte oder Untergrund korrekt nivelliert sind, können Sie auf dem Boden die Linien einzeichnen, auf denen Sie die Innenseite der Paneele des Pools abstützen werden.
Nun sollten Sie die Abmessungen überprüfen.
Sollten diese nicht übereinstimmen, müssen Sie diesen Schritt erneut vornehmen.
- IT KPC041:**
Quando la soletta e il terreno sono correttamente livellati, si procederà a segnare per terra le linee dove andrà ad appoggiare il lato interno dei pannelli della piscina.
Occorre ora verificare le misure.
Se non coincidono occorre ripetere l'operazione.
- NL KPC041:**
Nadat de betonplaat of het terrein correct is vlak gemaakt, gaat u verder met het trekken van de lijnen op de grond van het terrein waarop de binnenzijdes van de panelen van het zwembad zullen steunen.
Dit is het moment waarop de afmetingen moeten worden gecontroleerd.
Als ze niet overeenkomen, moet de hele handeling opnieuw worden uitgevoerd.
- PT KPC041:**
Uma vez que a soleira ou o terreno se encontrem corretamente nivelados, devem ser marcadas no chão as linhas sobre as quais irá apoiar a face interior dos painéis da piscina.
É o momento de verificar as dimensões.
Se não coincidirem, será necessário realizar novamente este exercício.



EN KPCOV52(L):

Once the floor or the ground are properly leveled, the ground will be marked with lines where the inside face of the swimming pool panels will be placed. We start by marking the axis of the buried beam in the floor. We take as reference the center of the column and with a tape measure we draw a line to the other column. Now, we make a mark in the middle of that line. This mark represents the center of the pool. Now we draw another line perpendicular to this one. This will be the longitudinal axis. We form the rectangle on the image. It is time to check the measurements. If they are not correct, the exercise needs to be performed again.

Important: The longitudinal lines must have 4 cm of separation with respect to the column (4 cm = space for panels).

ES KPCOV52(L):

Una vez la solera o el terreno están correctamente nivelados, se procederá a marcar en el suelo las líneas donde apoyará la cara interior de los paneles de la piscina. Empezamos marcando en la solera el eje de la viga enterrada. Tomamos como referencia el centro de la columna y con una cinta métrica trazamos una línea hasta la otra columna. Aprovechamos para hacer una marca en la mitad de esa línea. La marca representa el centro de la piscina. Ahora trazamos otra línea perpendicular a esta. Será el eje longitudinal. Formamos el rectángulo de la imagen. Es el momento de comprobar las medidas. Si no coinciden, hay que realizar de nuevo este ejercicio.

Importante: Las líneas longitudinales deben tener 4 cm de separación con respecto a la columna (4 cm = espacio para los paneles).

FR KPCOV52(L):

Une fois que le sol ou le terrain sont complètement nivelés, il faudra procéder au marquage des lignes sur le sol où reposera la face intérieure des panneaux de la piscine. Nous commençons par marquer sur le sol l'axe de la poutre enterrée. Nous prenons comme référence le centre de la colonne et, avec un ruban métrique, nous traçons une ligne jusqu'à l'autre colonne. Nous en profitons pour faire une marque à la moitié de cette ligne. La marque représente le centre de la piscine. Nous traçons maintenant une autre ligne perpendiculaire à celle-ci. Ce sera l'axe longitudinal. Nous formons ainsi le rectangle de l'image. À ce stade, il faut vérifier les mesures. Si elles ne coïncident pas, il faudra effectuer cet exercice à nouveau.

Important: les lignes longitudinales doivent avoir 4 cm de séparation par rapport à la colonne (4 cm = espace pour les panneaux).

DE KPCOV52(L):

Sobald Platte oder Untergrund korrekt nivelliert sind, können Sie auf dem Boden die Linien einzeichnen, auf denen Sie die Innenseite der Paneele des Pools abstützen werden. Markieren Sie zunächst auf der Platte die Achse des eingelassenen Balkens. Nehmen Sie als Richtwert die Mitte der Säule, und zeichnen Sie mit einem Maßband eine Linie bis zur anderen Säule. Dabei hinterlassen Sie auf der Hälfte dieser Linie eine Markierung. Die Markierung stellt die Mitte des Pools dar. Zeichnen Sie nun eine weitere Linie, senkrecht zu dieser. Dies wird die Längsachse. Bilden Sie ein Rechteck, wie auf der Abbildung. Nun sollten Sie die Abmessungen überprüfen. Sollten diese nicht übereinstimmen, müssen Sie diesen Schritt erneut vornehmen.

Wichtig: In Bezug auf die Säule müssen die Längslinien 4 cm Abstand haben. Dieser 4 cm Raum, ist für die Platzierung der Paneele bestimmt.

IT KPCOV52(L):

Quando la soletta e il terreno sono correttamente livellati, si procederà a segnare per terra le linee dove andrà ad appoggiare il lato interno dei pannelli della piscina. Si comincia col marcare sulla soletta l'asse del traversino interrato. Prendere come riferimento il centro della colonna e con un metro a nastro tracciare una linea fino all'altra colonna. Fare un segno a metà linea. Il segno rappresenta il centro della piscina. Tracciare ora un'altra linea perpendicolare a questa. Sarà l'asse longitudinale. Formare il rettangolo dell'immagine. Occorre ora verificare le misure. Se non coincidono occorre ripetere l'operazione.

Importante: Le linee longitudinali devono essere lontane 4 cm dalla colonna (4 cm = spazio per i pannelli).

NL KPCOV52(L):

Nadat de plaat of het terrein juist zijn geëffend, gaat u verder met het uitzetten van de lijnen in terrein op de grond die aangeven waar de naar binnen wijzende zijde van de zwembadpanelen op komen te steunen. We beginnen met het op de vloer markeren waar de as van de ingegraven balk zit. We nemen het midden de steunpilaar als referentiepunt en met een meetlint trekken we een lijn tot aan de andere steunpilaar. Zo kan in het midden van deze lijn meteen een markering worden gezet. Deze markering geeft het midden van het zwembad aan. Vervolgens trekken we nog een lijn die hier loodrecht op staat. Dit wordt de lengte-as. Nu vormen we de rechthoek zoals op het plaatje. Dit is het moment waarop de afmetingen moeten worden gecontroleerd. Als ze niet overeenkomen, moet de hele handeling opnieuw worden uitgevoerd.

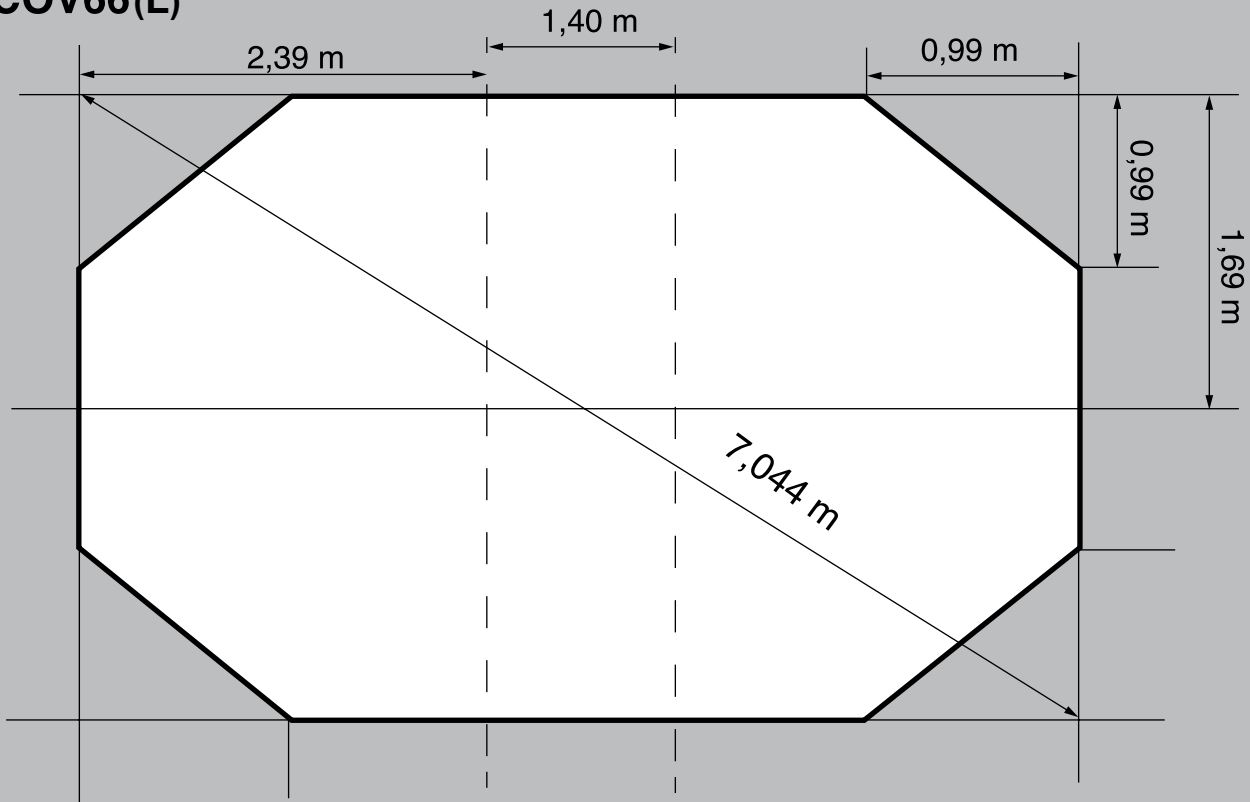
Belangrijk: De lijnen in de lengterichting moeten een scheiding van 4 cm hebben ten opzichte van de steunpilaar (4 cm = ruimte voor de panelen).

PT KPCOV52(L):

Uma que vez a soleira ou o terreno se encontrem corretamente nivelados, devem ser marcadas no chão as linhas sobre as quais apoiará a face interior dos painéis da piscina. Começamos marcando na soleira o eixo da trave enterrada. Tomamos como referência o centro da coluna e com uma fita métrica traçamos uma linha até à outra coluna. Aproveitamos para fazer uma marca na metade dessa linha. A marca representa o centro da piscina. Agora traçamos outra linha perpendicular a esta. Será o eixo longitudinal. Formamos o retângulo da imagem. É o momento de verificar as dimensões. Se não coincidirem, será necessário realizar novamente este exercício.

Importante: As linhas longitudinais devem ter 4 cm de separação relativamente à coluna (4 cm = espaço para os painéis).

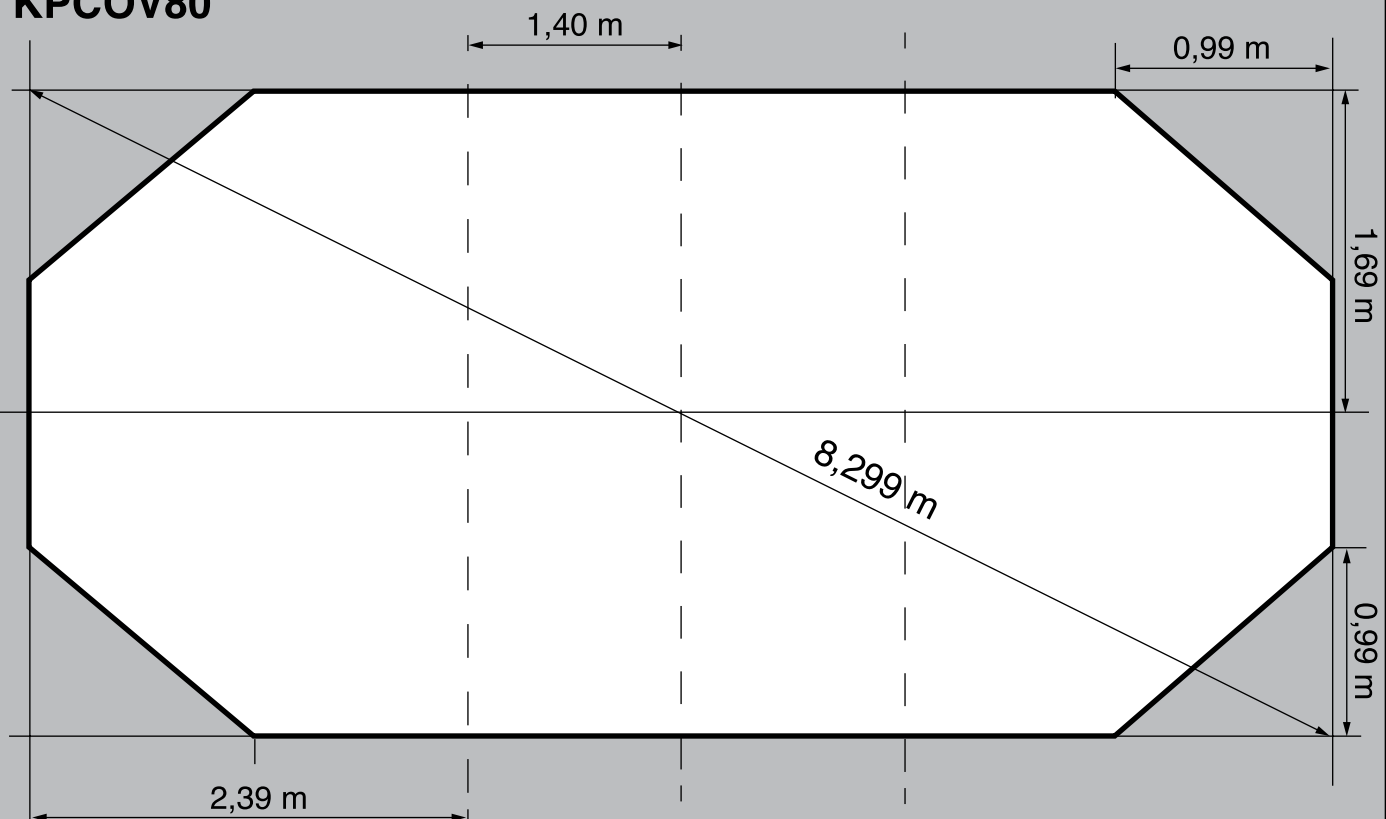
KPCOV66(L)



- EN We start by marking the axis of the buried beams on the floor. (Page 39).
- ES Empezamos marcando en la solera el eje de las vigas enterradas. (Página 39).
- FR Nous commençons par marquer sur le sol l'axe des poutres enterrées (Page 39).
- DE Markieren Sie auf der Platte zunächst die Achse der eingelassenen Balken (Seite 39).

- IT Si comincia col marcare sulla soletta l'asse dei traversini interrati. (Pagina 39).
- NL We beginnen met het markeren van de as van de balken die in de vloer zijn ingegraven (Page 39).
- PT Começamos marcando na soleira o eixo das traves enterradas (Página 39).

KPCOV80





1



2

EN PLACEMENT OF THE PANELS

- All pool panels are identical except the one that carries filtration. Place it in the center of one of the two longer areas of your swimming pool.
- The inside face of the panels (smooth surface) must be above the polygon just marked in the previous section.
- Use the vertical profiles to join the panels together. It is recommended that the plastic protecting the profile on the inside is removed before mounting the panels.
- It's very important to move the panels with great caution and between two people.

The marks or scratches caused to the panels due to poor handling are not covered by the warranty. If you have problems inserting the profile, move the panels until they have the same angle and distance as the profile. The profile will thus enter more easily.

Note: if your pool includes a led projector (KPCOV66L, KPCPV52L) check page 63. it is important to thoroughly read the instruction manual of the spotlight before installing the liner.

ES COLOCACIÓN DE LOS PANELES

- Todos los paneles de su piscina son iguales excepto el que lleva la filtración.
- Colóquelo en el centro de una de las dos zonas de menor longitud de su piscina.
- La cara interior de los paneles (superficie lisa) debe quedar sobre el polígono que acaba de marcar en el apartado anterior.
- Utilice los perfiles verticales para unir los paneles entre sí.
- Se recomienda quitar el plástico que protege al perfil por la parte interior antes de montar los paneles.
- Es muy importante mover los paneles con mucha precaución y entre dos personas. Las marcas o rayones ocasionados a los paneles debidas a una mala manipulación, no están cubiertas por la garantía. Si tiene problemas para introducir el perfil, mueva los paneles hasta conseguir que tengan el mismo ángulo y distancia que el perfil. Así el perfil entrará con mayor facilidad.

Nota: si usted tiene la piscina con foco incluido (KPCOV66L, KPCPV52L) revise la página 63. Es importante que lea detenidamente el manual de instrucciones del foco antes de colocar el liner.

FR INSTALLATION DES PANNEAUX

- Tous les panneaux de votre piscine sont égaux, sauf celui qui incorpore la filtration. Placez-le au centre de l'une des deux zones de moindre longueur de votre piscine.
- La face intérieure des panneaux (surface lisse) doit rester sur le polygone que vous venez de marquer dans le paragraphe précédent.
- Utilisez les profilés verticaux pour relier les panneaux entre eux. Il est recommandé de retirer le plastique qui protège le profilé par la partie intérieure avant de monter les panneaux.
- Il est très important de déplacer les panneaux avec précaution et entre deux personnes. Les marques ou rayures causées sur les panneaux en raison d'une mauvaise manipulation ne sont pas couvertes par la garantie. Si vous avez des problèmes pour introduire le profilé, bougez les panneaux jusqu'à ce qu'ils présentent le même angle et la même distance que le profilé. De cette façon le profilé pénétrera plus facilement.

Remarque : si votre piscine inclut le projecteur (KPCOV66L, KPCPV52L), consultez la page 63. Il est important de lire attentivement le mode d'emploi du projecteur avant de placer le liner.

DE POSITIONIERUNG DER VERKLEIDUNGEN

- Alle Verkleidungen Ihres Pools sind gleich, ausgenommen der Verkleidung, welche die Filtration beherbergt.
- Platzieren Sie diese in der Mitte eines der beiden Bereiche mit der geringsten Länge Ihres Pools.
- Die Innenseite der Verkleidungen (glatte Oberfläche) muss auf dem Vieleck sein, das Sie, wie im vorherigen Abschnitt beschrieben, soeben markiert haben.
- Verwenden Sie die vertikalen Profile, um die Verkleidungen miteinander zu verbinden. Vor der Befestigung der Verkleidungen empfiehlt es sich, das Plastik zu entfernen, welches das Profil von der Innenseite her schützt.
- Zwei Personen sollten die Verkleidungen mit großer Vorsicht bewegen. Die Garantie deckt keine Markierungen oder Kratzer, die an den Verkleidungen durch unsachgemäße Handhabung verursacht werden. Sollten Sie Probleme haben, das Profil einzuführen, verschieben Sie die Verkleidungen so weit, bis diese den gleichen Winkel und Abstand wie das Profil haben. So passt sich das Profil leichter ein.

Hinweis: Für das Schwimmbaden mit integrierter Beleuchtung (KPCOV66L, KPCPV52L) schauen Sie bitte auf Seite 63 nach. Lesen Sie vor dem Anbringen des Liners ausführlich das Benutzerhandbuch für die Beleuchtung.

IT POSIZIONAMENTO DEI PANNELLI

- Tutti i pannelli della piscina sono uguali tranne quello relativo alla filtrazione. Posizionarlo nel centro di una delle due zone più corte della piscina.
- Il lato interno dei pannelli (superficie liscia) deve rimanere sul poligono menzionato nel paragrafo precedente.
- Per unire i pannelli tra loro utilizzare i profili verticali. Si raccomanda di rimuovere la plastica a protezione della parte interna del profilo prima di montare i pannelli.
- E' molto importante prestare molta attenzione nello spostare i pannelli ed effettuare l'operazione in due persone. I graffi o i segni sui pannelli dovuti a un'errata manipolazione non sono coperti da garanzia. Qualora si verificassero dei problemi nell'introdurre il profilo, spostare i pannelli fino a ottenere il medesimo angolo e la medesima distanza del profilo. Questo accorgimento faciliterà l'ingresso del profilo.

Nota: se si dispone della piscina con faretto incluso (KPCOV66L, KPCPV52L), controllare la pagina 63. È importante leggere attentamente il manuale di istruzioni del faretto prima di posizionare il rivestimento.

NL PLAATSEN VAN DE PANELEN

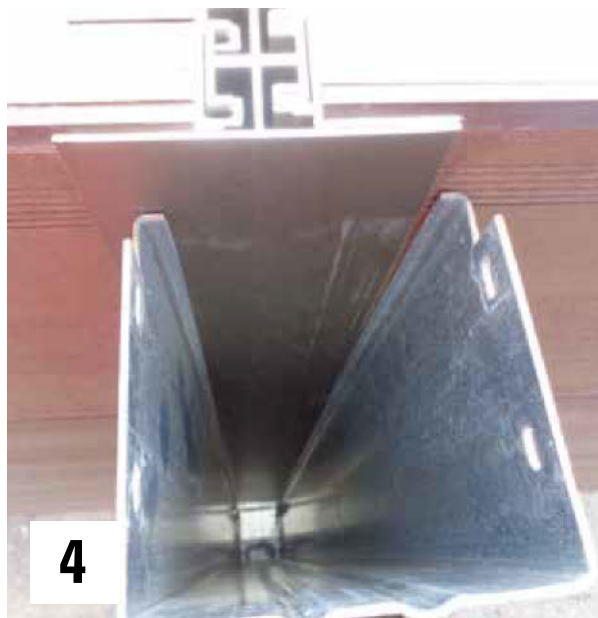
- Alle panelen van uw zwembad zijn hetzelfde, behalve dat waar de filtering in wordt geplaatst. Plaats hem in het centrum van één van de twee gebieden van uw zwembad die de kortste lengte hebben.
- De kant van de panelen die naar binnen toe komen te wijzen (gladde oppervlak) moeten komen te staan op de veelhoek die u zojuist op het terrein heeft aangegeven, zoals in de vorige paragraaf.
- Gebruik de verticale profielen om de panelen aan elkaar te verbinden. Het beste is om het plastic dat het profiel aan de binnenzijde beschermt pas te verwijderen vlak voordat u de panelen monteert.
- Het is heel belangrijk om de panelen zeer zorgvuldig te verplaatsen: doe dat met twee personen. beschadigingen of krassen in de panelen die ontstaan door verkeerd hanteren, worden niet door de garantie gedekt. Indien u problemen heeft met het inbrengen van het profiel, verplaatst u de panelen totdat ze dezelfde hoek en afstand hebben als het profiel. Op deze wijze gaat het profiel er gemakkelijk in.

Let op: als je een zwembad hebt waarbij de lamp (KPCOV66L, KPCPV52L) is inbegrepen, kijk dan op pagina 63. Het is belangrijk dat u eerst de gebruiksaanwijzing van de lamp goed doorleest, voordat u de liner plaatst.

PT COLOCAÇÃO DOS PAINÉIS

- Todos os painéis da sua piscina são iguais, exceto o que tem a filtragem. Coloque-o no centro de uma das duas zonas de menor comprimento da sua piscina.
- A face interior dos painéis (superfície lisa) deve ficar sobre o polígono que acaba de marcar na secção anterior.
- Utilize os perfis verticais para unir os painéis entre si. Recomenda-se retirar o plástico que protege o perfil pela parte interior antes de montar os painéis.
- É muito importante deslocar os painéis com muita precaução e com a participação de duas pessoas. As marcas ou riscos causados aos painéis devidos a um manuseio incorreto não estão cobertos pela garantia. Se tiver problemas para introduzir o perfil, deverá mover os painéis até conseguir que tenham o mesmo ângulo e distância que o perfil. Assim, o perfil entrará com maior facilidade.

Nota: se a sua piscina possui foco incluído (KPCOV66L, KPCPV52L) consulte a página 63. É importante que leia atentamente o manual de instruções do foco antes de colocar o liner.



EN PLACEMENT OF PANELS IN THE STRAIGHT AREA (oval pools)

- The union of the panels must stay in the center of the column. That way you can insert the profile (photo 3).
 - In picture 4, it is possible to see how the panels are not centered in regards to the column. Avoiding this is very important in order not to encounter problems when filling with water. If this occurs, you will have to distribute the distances between them so that they are as centered as possible.
 - It is normal that there is space left between the panels and the columns (photo 5). When you fill the pool with water, the panels will touch the columns due to the force of the water.
- It is advisable to begin installing the pool in the curved area (this way, the panels will be fixed on their own).

ES COLOCACIÓN DE LOS PANELES EN LA ZONA RECTA (piscinas ovaladas)

- La unión de los paneles debe quedar en el centro de la columna. Así se puede introducir el perfil (foto 3).
- En la foto 4, se aprecia como los paneles no están centrados con respecto a la columna. Evitarlo es muy importante para no tener problemas al llenar el agua. Si le ocurre ésto, tendrá que repartir las diferencias entre ellos para que queden lo mas centrados posibles.
- Es normal que quede espacio entre los paneles y las columnas (foto 5). Cuando se llene la piscina de agua, los paneles tocarán las columnas debido a la fuerza del agua.
- Es aconsejable empezar a montar la piscina por la zona curva. (De esta manera, los paneles se sujetarán ellos solos).

FR INSTALLATION DES PANNEAUX DANS LA ZONE DROITE (piscines ovales)

- L'union des panneaux doit rester au centre de la colonne. Il est ainsi possible d'introduire le profilé (photo 3).
 - La photo 4 montre comment les panneaux ne sont pas centrés par rapport à la colonne. Il est très important de l'éviter pour ne pas avoir de problèmes au moment de remplir l'eau. Si cela se produisait, il faudrait distribuer les différences entre eux afin qu'ils soient le plus centrés possible.
 - L'espace entre les panneaux et les colonnes est normal (photo 5). Quand la piscine est remplie d'eau, les panneaux toucheront les colonnes en raison de la force de l'eau.
- Il est conseillé de commencer à monter la piscine par la zone courbe (de cette façon, les panneaux tiendront seuls).

DE POSITIONIERUNG DER VERKLEIDUNGEN IM GERADEN BEREICH (ovale Pools)

- Die Verbindung der Verkleidungen muss in der Mitte der Säule erfolgen. So kann das Profil eingeführt werden (Foto 3).
 - Foto 4 zeigt, wie die Verkleidungen in Bezug auf die Säule nicht zentriert sind. Dies zu vermeiden ist sehr wichtig, um beim Einfüllen des Wassers keine Probleme zu bekommen. Wenn dies passiert, müssen Sie die Unterschiede zwischen ihnen verteilen, um sie bestmöglich zu zentrieren.
 - Es ist normal, dass zwischen den Verkleidungen und Säulen (Foto 5) ein Zwischenraum bleibt. Durch die Wasserkraft berühren die Verkleidungen beim Befüllen des Pools die Säulen.
- Es wird empfohlen, den Aufbau des Pools im Kurvenbereich zu beginnen (dadurch halten die Verkleidungen von selbst).

IT POSIZIONAMENTO DEI PANNELLI IN ZONA RETTA (piscine ovali)

- L'unione dei pannelli deve avvenire al centro della colonna. Ciò consente l'introduzione del profilo (foto 3).
 - La foto 4 mostra come i pannelli non siano centrati rispetto alla colonna. Lasciare libero questo spazio e' di fondamentale importanza per evitare problemi al momento del riempimento. In caso contrario occorre suddividere la distanza tra i pannelli affinche' risultino il piu' centrati possibile.
 - E' normale che rimanga spazio tra i pannelli e le colonne (foto 5). Quando la piscina viene riempita d'acqua i pannelli andranno a toccare la colonna a causa della forza dell'acqua.
- Si consiglia di iniziare a montare la piscina partendo dalla zona curva (in questo modo i pannelli si sosterranno da soli).

NL PLAATSEN VAN DE PANELEN IN HET RECHTE GEBIED (ovale zwembaden)

- De verbinding van de panelen moet in het midden van de steunpilaar komen te zitten. Op die manier kan het profiel worden ingebracht (foto 3).
 - Op foto 4 ziet u dat de panelen niet zijn gecentreerd ten opzichte van de steunpilaar. Dit vermijden is heel belangrijk om problemen te voorkomen bij het vullen met water. Als dit u overkomt, moet u de verschillen tussen de twee gelijkmatiger verdelen zodat ze zoveel mogelijk in het midden zitten.
 - Het is normaal dat er ruimte tussen de panelen en de steunpilaren overblijft (foto 5). Wanneer het zwembad met water wordt gevuld, raken de panelen de steunpilaren door de druk van het water.
- Het beste is om te beginnen met het monteren van het zwembad in de gekromde zone (op deze manier blijven de panelen uit zichzelf op hun plek).

PT COLOCAÇÃO DOS PAINÉIS NA ZONA RETA (piscinas ovaladas)

- A união dos painéis deve ficar no centro da coluna. Desta forma, o perfil pode ser introduzido (fotografia 3).
 - Na fotografia 4, observa-se como os painéis não se encontram centrados relativamente à coluna. Evitá-lo é muito importante para não ter problemas ao encher com água. Se isto ocorrer, deverá distribuir as diferenças entre eles para ficarem o mais centrado possível.
 - É normal que fique espaço entre os painéis e as colunas (fotografia 5). Quando enchermos a piscina com água, os painéis deverão tocar nas colunas devido à força da água.
- Aconselha-se começar a montar a piscina pela zona curva (desta forma, os painéis sustentar-se-ão sós).



- A = PLYCOMP90**
- B = PLYCOMP112SK**
- C = PLYCOMP112**
- D = PLYCOM90112**
- E = PLYCOMP11290**

EN PLACEMENT OF THE TOP RAILS

Now is the time to remove the outer protection of the vertical aluminum profiles

Octagonal Pool: All the top rails are the same shape, except for one, which has a flat surface (photo 7). This copping must be placed above the filtration. The piece can be found in the PLYCOMP112SK box. Please check the position of the skimmer with the coppings.

Oval Pool: In the diagram it can be seen that there are 5 different types of coppings. Identify the parts according to your pool. Inside the PLYCOMP112SK box is the coping for the filtration panel. (Photo 7).

It is fundamental that the pieces are levelled to avoid future problems when positioning the metal trimming. The main cause can be due to an incorrect levelling of the terrain. We suggest supporting the coping from outside of the pool at the joint of the vertical metal profile.

ES COLOCACIÓN DE LAS PLAYAS

Ahora es el momento de quitar la protección exterior que tienen los perfiles verticales de aluminio.

Piscina octogonal: todas las playas tienen la misma forma, excepto una de ellas, que presenta un rebaje (foto 7). Esa playa debe colocarse encima del panel de la filtración. Encontrará la playa en la caja PLYCOMP112SK. Así quedará el skimmer con la playa.

Piscina ovalada: En el esquema se observa que hay 5 tipos diferentes de playas. Identifique las piezas según su piscina.

Dentro de la caja PLYCOMP112SK se encuentra la playa para el panel de filtración. (Foto 7).

Es fundamental que todas las piezas estén niveladas para evitar futuros problemas al posicionar los embellecedores metálicos. La causa principal puede ser debido a una incorrecta nivelación del terreno. Le aconsejamos calzar las playas desde el exterior de la piscina en la unión del perfil vertical metálico.

FR INSTALLATION DES MARGELLES

C'est le moment de retirer la protection extérieure des profilés verticaux en aluminium.

Piscine octogonale: tous les margelles présentent la même forme, sauf l'une d'elles, qui incorpore une feuillure (photo 7). Ce margelle doit être placée sur le panneau de filtration. Le margelle est incluse dans la boîte PLYCOMP112SK. Voici l'aspect du skimmer avec la plage.

Piscine ovale: le schéma indique qu'il existe 5 types différents de margelles. Identifiez les pièces selon votre piscine.

La boîte PLYCOMP112SK inclut le margelle pour le panneau de filtration (Photo 7).

Il est essentiel que toutes les pièces soient à niveau pour éviter des problèmes ultérieurs pendant le positionnement des garnitures métalliques. La cause principale peut être due à un mauvais nivellement du sol. Nous vous conseillons d'installer les margelles depuis l'extérieur de la piscine, dans l'union du profilé métallique vertical.

DE POSITIONIERUNG DER PLATTEN

Entfernen Sie jetzt den äußeren Schutz von den vertikalen Aluminiumprofilen

Achteckiger Pool: Alle Platten haben die gleiche Form. Die Ausnahme ist eine, die einen Einschnitt darstellt (Foto 7). Diese Platte muss über der Verkleidung der Filtration platziert werden. Die Platte finden Sie im Kasten PLYCOMP112SK. So bleibt der Skimmer an der Platte.

Ovaler Pool: In der Skizze sehen Sie, dass es 5 verschiedene Arten von Platten gibt.

Ermitteln Sie die Teile, je nach dem, welchen Pool Sie haben.

In der Kiste PLYCOMP112SK finden Sie die Platte für die Filtrationsverkleidung. (Foto 7).

Alle Elemente müssen zwingend mit der Wasserwaage abgemessen werden, um künftige Probleme mit den Metallzierkappen zu vermeiden. Hauptursache kann eine falsche Nivellierung sein. Wir empfehlen Ihnen, die Handläufe außen an den vertikalen Metallstreben des Schwimmbeckens zu befestigen.

IT POSIZIONAMENTO DEI BORDI

E' ora possibile togliere la protezione esterna dei profili verticali in alluminio.

Piscina ottagonale: tutti gli elementi dei bordi hanno la medesima forma fatto salvo quelli che presentano un ribassamento (foto 7). Suddetti elementi vanno posizionati sul pannello di filtrazione. Gli elementi sono contenuti nella scatola PLYCOMP112SK. Lo skimmer sarà quindi provvisto di tale elemento.

Piscina ovale: Nello schema vengono mostrati 5 differenti tipi di bordi posizionabili. Identificare i pezzi in base alla piscina.

All'interno della scatola PLYCOMP112SK è presente il pezzo per il pannello di filtrazione. (Foto 7).

È essenziale che tutte le parti siano a livello per evitare problemi futuri durante il posizionamento delle finiture metalliche. La causa principale potrebbe essere dovuta a un livellamento improprio del terreno. Si consiglia di posizionare i bordi dall'esterno della piscina nella giunzione del profilo metallico verticale.

NL PLAATSEN VAN DE RANDEN

Dit is het moment de bescherming aan de buitenzijde van de verticale aluminiumprofielen te verwijderen

Achthoekig zwembad: Alle randen hebben dezelfde vorm, behalve één ervan, die een uitsparing heeft (foto 7). Dit randdeel moet worden geplaatst boven het paneel met de filtering. U vindt dit randdeel in de doos PLYCOMP112SK. Zo blijft de skimmer bij de rand zitten.

Ovaal zwembad: Op het schema ziet u dat er 5 verschillende soorten randen zijn. Identificeer de onderdelen aan de hand van uw zwembad.

In de doos PLYCOMP112SK vindt u het randdeel voor het filterpaneel. (Foto 7).

Het is van essentieel belang dat alle onderdelen gelijk liggen om toekomstige problemen bij het plaatsen van de metalen sierstrips te voorkomen. De belangrijkste oorzaak is doorgaans dat de grond niet goed is geëffend. Wij raden u aan om de zwembadranden aan de buitenkant van het zwembad d.m.v. wiggen op de verbinding met het verticale metalen profiel gelijk te maken.

PT COLOCAÇÃO DAS PRAIAS

Agora é o momento de retirar a proteção exterior que os perfis verticais de alumínio têm.

Piscina octogonal: Todas as praias têm a mesma forma, exceto uma delas, que apresenta um entalhe (fotografia 7). Essa praia deve ser colocada em cima do painel da filtragem. Encontrará a praia na caixa PLYCOMP112SK. Assim, o skimmer ficará com a praia.

Piscina ovalada: No esquema, observa-se que há 5 tipos diferentes de praias. Identifique as peças segundo a sua piscina.

Dentro da caixa PLYCOMP112SK, encontra-se a praia para o painel de filtragem. (Fotografia 7).

É fundamental que todas as peças estejam niveladas para evitar futuros problemas ao colocar as guarnições metálicas. A causa principal destes problemas pode dever-se a um incorreto nivelamento do terreno. Recomendamos calçar os elementos das bordas desde o exterior da piscina, na união do perfil vertical metálico.

EN IMPORTANT: Only in the case of contacting with the after-sales service due to an incident.
 1- Locate your pool in the following tables
 2- Search for exact piece needed
 Check the drawing.
 3- You must consider that each reference refers to a single piece, one unit.

ES IMPORTANTE: Únicamente en caso de tener que contactar con el servicio de postventa debido a una incidencia.
 1. Localice su piscina en las siguientes tablas.
 2. Busque la pieza exacta que necesita. Fíjese en el dibujo.
 3. Debe tener en cuenta que cada referencia se refiere a una única pieza, una unidad.

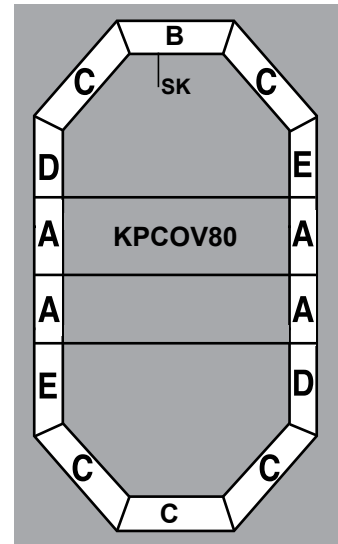
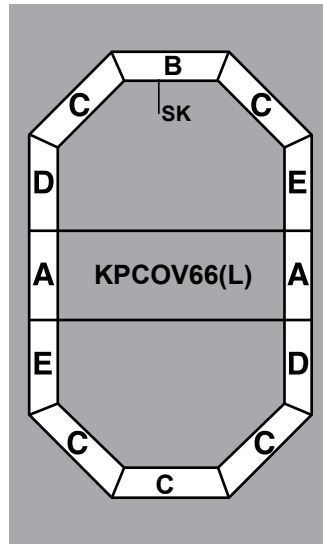
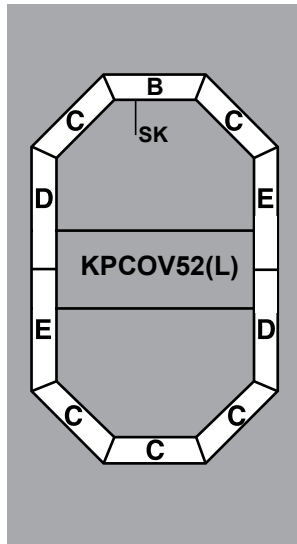
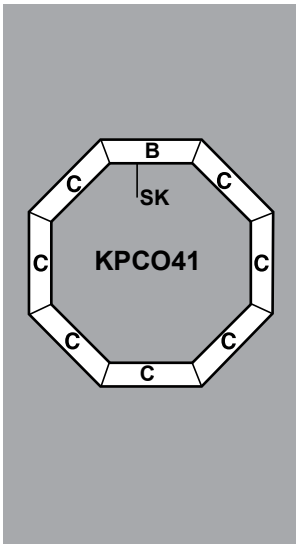
FR IMPORTANT : Uniquement en cas de devoir contacter le service après-vente suite à une incidence.
 1- Cherchez votre piscine sur les tableaux suivants.
 2- Trouvez la pièce exacte dont vous avez besoin. Observez le dessin.
 3- Chaque référence concerne une seule pièce, une seule unité.

DE WICHTIG: Ausschließlich wenn Sie den Kundenservice aufgrund eines Unfalls kontaktieren müssen.
 1- Suchen Sie Ihr Schwimmbecken in den nachfolgenden Tabellen
 2- Suchen Sie exakt das benötigte Teil. Orientieren Sie sich an der Zeichnung.
 3- Berücksichtigen Sie, dass jede Artikelnummer zu einem einzelnen Teil gehört.

IT IMPORTANTE: Solo nel caso in cui sia necessario contattare il servizio post-vendita a causa di una problematica.
 1- Individuare la propria piscina nelle tabelle riportate a continuazione.
 2- Individuare l'esatto componente necessario. Fare riferimento al disegno.
 3- Occorre tenere presente che ogni riferimento è inerente a un singolo pezzo, un'unità.

NL BELANGRIJK: Alleen in het geval dat u vanwege een incident contact moet opnemen met de after-sales service.
 1- Zoek uw zwembad op in de volgende tabellen
 2- Vind het exacte onderdeel dat u nodig heeft. Kijk goed naar de schets.
 3- Houd er rekening mee dat elke referentie verwijst naar één enkel onderdeel, één eenheid.

PT IMPORTANTE: Apenas no caso de ter de contactar o seu serviço de pós-venda devido a uma eventual incidência.
 1- Localize o modelo da sua piscina nas seguintes tabelas
 2- Localize a peça que necessita. Preste atenção ao desenho.
 3- Tenha presente que cada referência diz respeito a uma única peça, ou unidade.



KPCOV66(L)		
PLYCOMP112P		C
PLYCOMP112SKP		B
PLYCOMP11290P		E
PLYCOMP90112P		D
PLYCOMP90P		A

KPCOV80		
PLYCOMP112P		C
PLYCOMP112SKP		B
PLYCOMP11290P		E
PLYCOMP90112P		D
PLYCOMP90P		A

KPCO41		
PLYCOMP112P		C
PLYCOMP112SKP		B

KPCOV52(L)		
PLYCOMP112P		C
PLYCOMP112SKP		B
PLYCOMP11290P		E
PLYCOMP90112P		D



8



9



10

EN PLACEMENT OF THE SKIMMER

- Completely assemble the skimmer and screw it from the inside of the pool.
- If you find it difficult to screw it to the wall, you can use a 2 mm drill bit and make a guide for the screw. This will make the work easier.
- With the glue, place the seal facing inward. This is very important in order to set the plastic sleeve properly and prevent water leakage. Photo 10.

ES COLOCACIÓN DEL SKIMMER

- Montar el skimmer por completo y atornillarlo desde el interior de la piscina.
- Si le resulta complicado atornillarlo a la pared, puede utilizar una broca para acero de 2 mm y hacer una guía para el tornillo. Así el trabajo será menos costoso.
- Coloque la junta de estanqueidad con el pegamento hacia el interior. Esto es muy importante para poder fijar bien la funda de plástico y evitar fugas de agua. Foto 10.

FR INSTALLATION DU SKIMMER

- Monter complètement le skimmer et le visser depuis l'intérieur de la piscine.
- Si vous avez des problèmes pour le visser à la paroi, vous pouvez utiliser une mèche de 2 mm et réaliser un guide pour la vis, de façon à simplifier la tâche.
- Placez le joint d'étanchéité avec la colle vers l'intérieur. Cette étape est très importante pour pouvoir fixer correctement l'étui en plastique et éviter ainsi les fuites d'eau (Photo 10.).

DE POSITIONIERUNG DES SKIMMERS

- Den Skimmer vollständig zusammenbauen und von der Innenseite des Pools her verschrauben.
- Wenn es Ihnen schwerfällt, ihn an der Wand zu verschrauben, können Sie einen 2-mm-Bohrer benutzen und für die Schraube eine Führung bilden. So ist die Arbeit weniger aufwendig.
- Platzieren Sie die Fugendichtung mit Kleber zur Innenseite. Dies ist äußerst wichtig, damit Sie die Plastikabdeckung gut befestigen können und das Austreten von Wasser verhindert wird. Foto 10.

IT POSIZIONAMENTO DELLO SKIMMER

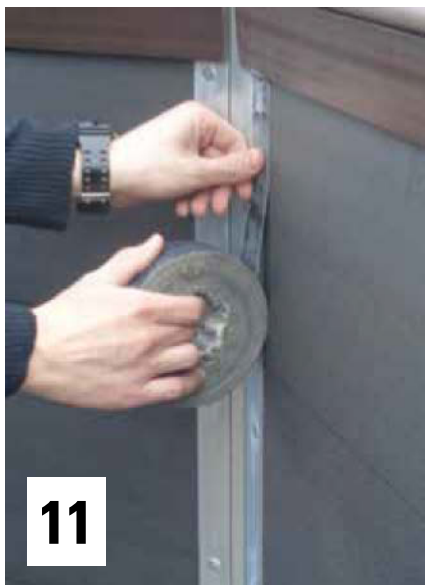
- Montare lo skimmer interamente e avvitarlo dall'interno della piscina.
- Qualora risultasse complicato avvitarlo alla parete, è possibile utilizzare un trapano con punta da 2 mm in modo da realizzare una guida per la vite. Ciò renderà il lavoro più semplice.
- Posizionare il giunto a tenuta stagna con l'adesivo rivolto verso l'interno. Ciò è molto importante per poter fissare bene la copertura in plastica ed evitare fughe d'acqua. Foto 10.

NL PLAATSEN VAN DE SKIMMER

- De skimmer in zijn geheel monteren en vastschroeven vanaf de binnenzijde van het zwembad.
- Indien het moeilijk blijkt om hem aan de wand vast te schroeven, kunt u gebruik maken van een bitje van 2 mm om een gat voor de schroef voor te boren. Op die manier kost het minder moeite.
- Zet de sealing met lijm aan de binnenzijde vast. Dit is van groot belang om de plastic bekleding goed vast te kunnen zetten en te voorkomen dat er water kan lekken. Foto 10.

PT COLOCAÇÃO DO SKIMMER

- Montar completamente o skimmer e aparafusá-lo a partir do interior da piscina.
- Se for complicado aparafusá-lo à parede, poderá utilizar uma broca de 2 mm e fazer uma guia para o parafuso. Assim, o trabalho será menos difícil.
- Coloque a junta de estanqueidade com a cola para o interior. Isto é muito importante para poder fixar bem a capa de plástico e evitar fugas de água. (Fotografia 10).



11



12

EN PROTECTIVE GROUND BLANKET

- It is recommended the duck tape be used to cover the rivets of the vertical profiles, which will be in contact with the swimming pool liner. This prevents the liner from being pricked. (Photo 11).

- Before covering the ground, it is advisable to sweep and vacuum the concrete floor to remove dirt, such as pebbles, branches, leaves, etc.
- Place the cover to protect the sleeve. Remove any remaining wrinkles so that they do not appear once the pool fills with water.
- Cut the cover according to your swimming pool model, adapting it to the shape of your swimming pool.

ES MANTA PROTECTORA DE FONDO

- Se recomienda utilizar cinta americana para tapar los remaches de los perfiles verticales, que estarán en contacto con la funda de la piscina. De esta manera, se evita que la funda se pinche. (Foto 11).

- Antes de cubrir el suelo, es recomendable barrer y aspirar la solera de hormigón para quitar la suciedad, como piedras, ramas, hojas, etc.
- Coloque la manta para proteger la funda. Evite que queden arrugas para que no se aprecien una vez esté la piscina llena de agua.
- Corte la manta según su modelo de piscina adaptándola a la forma de su piscina.

FR FEUTRE DE FOND

- Il est conseillé d'utiliser de la bande isolante pour couvrir les rivets des profils verticaux qui seront en contact avec le liner de la piscine. De cette façon, les risques de perforation du liner seront évités (Photo 11).

- Avant de couvrir le sol, il est recommandé de balayer et d'aspirer le sol en béton pour éliminer les saletés, par exemple des pierres, des branches, des feuilles, etc.
- Placez le feutre pour protéger le liner. Éliminez tous les plis pour qu'ils ne soient pas visibles une fois la piscine remplie d'eau.
- Coupez le feutre selon votre modèle de piscine en l'adaptant à la forme de votre bassin.

DE SCHUTZDECKE IM UNTERGRUND

- Wir empfehlen die Verwendung von Gewebeklebeband, um die Niete der vertikalen Profile, die mit der Abdeckung des Beckens Kontakt haben, abzudecken. Dadurch wird vermieden, dass die Abdeckung durchbohrt wird. (Foto 11).

- Bevor Sie den Boden abdecken, empfiehlt es sich, die Betonplatte zu fegen und abzusaugen, um Schmutz, wie Steine, Zweige, Blätter etc., zu entfernen.
- Platzieren Sie die Decke, um die Abdeckung zu schützen. Vermeiden Sie, dass Falten zurückbleiben, damit diese nicht sichtbar sind, nachdem das Becken mit Wasser gefüllt ist. Schneiden Sie die Decke je nach Poolmodell zu, indem Sie diese an die Form des Beckens anpassen.

IT COPERTURA DI PROTEZIONE DEL FONDO

- Si consiglia l'utilizzo di nastro adesivo telato per coprire i rivetti dei profili verticali che entreranno in contatto con il rivestimento della piscina. Si evita così la possibile foratura. (Foto 11).

- Prima di coprire il pavimento si raccomanda di spazzare e aspirare la soletta in cemento per eliminare sporcizia come sassi, rami, foglie ecc.
- Posizionare il tessuto a protezione del rivestimento. Evitare la formazione di pieghe che possono permanere anche dopo il riempimento della piscina.
- Tagliare il tessuto adattandolo alla forma della piscina.

NL BESCHERMDEKEN MODEN

- Aanbevolen wordt om ducttape te gebruiken om de nagels vast te plakken aan de verticale profielen, die in contact zullen komen met de liner van het zwembad. Op deze manier, wordt voorkomen dat de liner lek raakt. (Foto 11).

- Voordat de vloer wordt bedekt, kunt u de betonplaat het beste eerst schoonvegen en stofzuigen om alle vuilresten, zoals steentjes, takjes, blaadjes, etc. te verwijderen.
- Plaats de deken om de liner te beschermen. Voorkom dat er kreukels in blijven zitten want die zullen zichtbaar blijven door de liner heen nadat het zwembad eenmaal met water is gevuld.
- Snijd de deken op maat voor uw model zwembad en pas hem aan de vorm van uw zwembad aan.

PT MANTA PROTETORA DE FUNDO

- Recomenda-se utilizar fita adesiva para tapar os rebites dos perfis verticais, que irão estar em contacto com a cobertura da piscina. Desta maneira, evita-se furar a cobertura. (Fotografia 11).

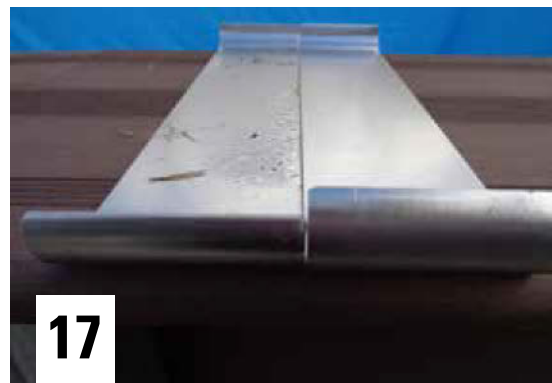
- Antes de cobrir o piso, é recomendável varrer e aspirar a soleira de betão para remover a sujidade (pedras, ramas, folhas, etc.).
- Coloque a manta para proteger a cobertura. Evite que fiquem rugas para não serem vistas quando a piscina esteja cheia de água.
- Corte a manta de acordo com o seu modelo de piscina, adaptando-a à forma da sua piscina.

**13****14****(*)**

- EN PLACEMENT OF THE SLEEVE (LINER)** - If your pool includes the LED light, check the assembly manual before installing the liner.
- Remove the sleeve from the box with great care. Stretch and extend it in the shade so that it recovers its shape. Perform this step at least two hours before its placement. The ideal temperature for mounting the sleeve is 25 - 30°C.
- Do not use sharp objects they could prick the sleeve. The warranty does not cover punctures due to poor handling. Take off your shoes.
- Extend the cover, pulling it to the corners of the swimming pool. It is very important to take this step seriously, since the final aesthetic of your pool will depend on proper placement of the sleeve.
- Insert the sleeve in the attachment slot. If at some point during completion of this operation an excess of sheath is observed on the wall, spread the excess out evenly around the perimeter of the pool. This will prevent wrinkles.
- Once in place, fill the pool with 2 - 3 cm of water and extend the sleeve wrinkles well. If folds remain in the bottom is not a reason to replace the sleeve with another, as it is not a manufacturing defect. Take your time.
- Very Important: (*) Locate the serial number on the upper part of the wall of the sleeve, near the weld that joins the side.
Write it down in the instruction sheet box for potential claims.
- ES COLOCACIÓN DE LA FUNDA (LINER)** Si su piscina incluye el proyector led, revise el manual de montaje antes de instalar el liner.
- Saque la funda de la caja con mucho cuidado. Estire y extiéndala a la sombra para que recupere su postura. Realice este paso al menos dos horas antes de su colocación. La temperatura ideal para montar el liner es de 25 - 30°C.
- No utilice objetos punzantes porque se puede pinchar. La garantía no cubre pinchazos debidos a la mala manipulación. Qúitese los zapatos.
- Extienda la funda acercándola a las esquinas de la piscina. Es muy importante tomarse este paso con seriedad, ya que la estética final de su piscina dependerá de la buena colocación de la funda.
- Introduzca la funda en la ranura de fijación. Si en el momento de completar esta operación se observase en algún punto un exceso de funda en la pared, reparta uniformemente el sobrante por todo el perímetro de la piscina. De esta forma, se evitarán arrugas.
- Una vez colocada, llene la piscina con agua 2 - 3 cm y extienda bien las arrugas del fondo. Si quedan pliegues en el fondo no es motivo para cambiarlo por otro ya que no es un defecto de fabricación. Tómese su tiempo.
- Muy importante: (*) Localice el número de serie en la parte superior de la pared de la funda, cerca de la soldadura que une el lateral.
Anótelos en el recuadro de la hoja de instrucciones para posibles reclamaciones.
- FR MISE EN PLACE DU LINER** - Si votre piscine inclut le projecteur LED, révisez le manuel de montage avant l'installation du liner.
- Sortez soigneusement la gaine de la boîte. Étirez-La et étendez-la à l'ombre pour qu'il récupère sa forme. Effectuez cette étape au moins deux heures avant son installation. La température idéale pour monter le liner est de 25 - 30°C.
- N'utilisez surtout pas d'objets pointus afin de ne pas la perforer. La garantie ne couvre pas les dommages causés par une mauvaise manipulation. Retirez vos chaussures.
- Étendez le liner en la rapprochant des angles de la piscine. Il est très important de bien effectuer cette étape, étant donné que l'aspect final de votre piscine dépendra de la pose de la gaine.
- Introduisez le liner dans la rainure de fixation. Si au moment de compléter cette opération vous observez un excès du liner sur la paroi, distribuez uniformément le morceau qui dépasse sur tout le périmètre de la piscine. Cela permettra d'éviter les plis.
- Une fois en place, remplissez la piscine avec de l'eau sur environ 2-3 cm. Ensuite, étendez correctement les plis du fond. Si vous ne réussissez pas à tous les éliminer, ne cherchez pas à changer le liner par une autre. Il ne s'agit pas d'un défaut de fabrication. Prenez votre temps.
- Très important (*) localisez le numéro de série sur la partie supérieure de la paroi de la gaine, près de la soudure qui relie le côté.
Notez-le dans le cadre de la fiche d'instructions pour de possibles réclamations.
- DE POSITIONIERUNG DER ABDECKUNG** Falls ein LED-Projektor zu Ihrem Schwimmbecken gehört, lesen Sie vor dem Anbringen des Liners bitte das Montagehandbuch.
- Nehmen Sie die Abdeckung vorsichtig aus der Box. Im Schatten ausbreiten und glatt ziehen, damit sie ihre Form wiedererlangt. Diesen Vorgang mindestens zwei Stunden vor der Platzierung durchführen. Die ideale Temperatur für das Anbringen der Abdeckung ist 25 - 30°C.
- Keine scharfen Gegenstände verwenden, da diese die Abdeckung durchbohren können. Die Garantie gilt nicht für Einstiche aufgrund unsachgemäßer Handhabung. Schuhe ausziehen.
- Breiten Sie die Abdeckung aus, indem Sie sie näher an die Ecken des Beckens heranziehen. Es ist sehr wichtig, diesen Schritt ernst zu nehmen, da die endgültige Optik Ihres Pools von der guten Positionierung der Abdeckung abhängt.
- Die Abdeckung in die Befestigungsnut einführen. Falls Sie bei der Ausführung dieses Vorgangs an einem gewissen Punkt beobachten, dass Abdeckung an der Wand übersteht, verteilen Sie den überschüssigen Bereich auf den gesamten Umfang des Pools. Dadurch werden Knicke vermieden.
- Nach der Platzierung befüllen Sie den Pool 2 - 3 cm hoch mit Wasser und ziehen die Falten am Boden auseinander. Falls Falten am Boden zurückbleiben, so ist das kein Grund, alles zu ändern, da es kein Herstellungsfehler ist. Nehmen Sie sich Zeit dafür.
- Sehr wichtig: (*) Suchen Sie die Seriennummer im oberen Teil der Wand der Abdeckung, nahe der Schweißung, welche die Seite verbindet.
Notieren Sie diese für etwaige Reklamationen in dem Feld auf dem Anweisungsbblatt.
- IT POSIZIONAMENTO DEL RIVESTIMENTO** - Se la piscina include il proiettore a LED, controllare il manuale di montaggio prima di installare il liner.
- Estrarre il rivestimento dall'imballo prestando molta attenzione. Srotolarlo e stenderlo all'ombra affinché recuperi la propria forma. Effettuare queste operazioni almeno due ore prima del posizionamento. La temperatura ideale per il montaggio è di 25 - 30°C.
- Non utilizzare oggetti pungenti che possono forare il rivestimento. La garanzia non copre le forature causate da manovre errate. Togliere le scarpe.
- Stendere il rivestimento e farlo aderire agli angoli della piscina. E' importante prestare la massima attenzione nell'effettuare suddetta operazione in quanto l'estetica finale della piscina dipenderà da un buon posizionamento del rivestimento.
- Introdurre il rivestimento nella fessura di fissaggio. Se al momento di effettuare questa operazione dovesse rimanere in alcuni punti del rivestimento in eccesso sulla parete, distribuire in maniera uniforme le parti in eccesso lungo tutto il perimetro della piscina. Questa operazione eviterà la formazione di pieghe.
- Dopo aver posizionato il rivestimento, riempire la piscina con 2-3 cm di acqua e stendere bene le pieghe presenti sul fondo. Eventuali pieghe sul fondo non costituiscono un motivo per la sostituzione del rivestimento, non trattandosi di un difetto di fabbrica. Prendersi il tempo necessario.
- Molto importante: (*) Identificare il numero di serie riportato nella parte superiore della parete del rivestimento vicino alla saldatura che lo unisce alla parte laterale. Annotarlo nel riquadro del foglietto delle istruzioni per eventuali reclami.
- NL PLAATSEN VAN DE LINER** - Is uw zwembad wordt voorzien van een led-projector, raadpleeg dan eerst de montagehandleiding daarvan voordat u de liner installeert.
- Haal de liner heel voorzichtig uit de doos. Uitvouwen en vlak leggen op een schaduwrijke plaats zodat de vouwen eruit gaan. Deze stap minstens twee uur van te voren uitvoeren voordat u de liner gaat plaatsen. De ideale temperatuur om de liner te plaatsen is 25 - 30°C.
- Gebruik geen scherpe voorwerpen omdat deze gaten kunnen veroorzaken. De garantie dekt geen gaten en lekken die zijn veroorzaakt door onzorgvuldig handelen. Trek uw schoenen uit.
- Spreid de liner uit en werk naar de hoeken van het zwembad toe. Het is heel belangrijk deze stap heel zorgvuldig uit te voeren, want het er mooi uitzien van uw zwembad, wordt bepaald door het goed plaatsen van de liner.
- De liner in de klemsleuf inbrengen. Als u op het moment dat u deze operatie afrondt ziet dat er ergens nog een teveel aan liner op de wand zit, moet u het restant gelijkmatig verdelen over de gehele omtrek van het zwembad. Op deze manier worden vouwen en kreukels voorkomen.
- Nadat het geplaatst is, het zwembad met 2 - 3 cm water vullen en strijk de vouwen uit de bodem. Als er nog vouwen in de bodem zitten, is dit geen reden voor ruilen, want dit is geen fabricagefout is. Neem hier uw tijd voor.
- Heel belangrijk: (*) Zoek het serienummer op dat aan de bovenkant van de wand van de liner zit, vlakbij de las die de zijde aan elkaar verbindt. Schrijf dit nummer op in het kader op het instructieblad met het oog op eventuele klachten.
- PT COLOCAÇÃO DA COBERTURA** Se a sua piscina inclui o projetor LED, consulte o manual de montagem antes de instalar o liner.
- Tire a cobertura da caixa com muito cuidado. Estique-a e estenda-a à sombra para que recupere a sua posição. Realize este passo pelo menos duas horas antes da sua colocação. A temperatura ideal para montar a cobertura é de 25 - 30°C.
- Não utilize objetos pungentes porque a cobertura pode sofrer furos. A garantia não cobre furos causados por um manuseamento incorreto. Tire os sapatos.
- Estenda a cobertura aproximando-a dos cantos da piscina. É muito importante fazer este passo com muito cuidado, uma vez que a estética final da sua piscina dependerá da boa colocação da cobertura.
- Introduza a cobertura na ranhura de fixação. Se no momento de completar esta operação observar nalgum ponto um excesso de cobertura na parede, deverá distribuir uniformemente o excedente por todo o perímetro da piscina. Desta forma, evitará a formação de rugas.
- Após colocada, encha a piscina com água numa altura de 2 - 3 cm e estenda bem as rugas do fundo. O facto de ficarem dobras no fundo não é motivo para substituí-lo por outro uma vez que não é um defeito de fabrico. Tome o seu tempo.
- Muito importante: (*) Localize o número de série na parte superior da parede da cobertura, perto da soldadura que une o lateral.
Anoto-o no quadro da folha de instruções para eventuais reclamações.



- EN** - Maybe the liner does not perfectly adjust to the corners of your pool. This is not a structural problem, simply aesthetic. Do not be surprised.
- When you start to fill the pool, remember to fill only up to 2-3 cm and remove all the wrinkles on the bottom from the interior, without any footwear. Also, you must adjust the corners at the bottom and sides of your pool. It is important that the liner is well distributed around the pool sides and perfectly fitted.
- If this problem occurs, try assembling it on a very sunny day with high temperature.
- In order for the liner to fit better in the corners of your pool, it is advisable to heat the liner, e.g. with a hairdryer at short intervals of time.
- ES** - Es posible que el liner no se ajuste perfectamente a las esquinas de su piscina. Este problema no es estructural, simplemente estético. No se asuste.
- Al comenzar a llenar la piscina, recuerde llenar solo 2-3 cm de agua y extender bien las arrugas del fondo desde el interior, descalzo. También debe ajustar las esquinas del fondo y laterales de su piscina. Es importante repartir bien el liner por todo el lateral de la pared y fijarlo perfectamente.
- Para que el liner se ajuste mejor a las esquinas de su piscina, es recomendable darle calor, como por ejemplo, con un secador de pelo en intervalos cortos de tiempo.
- FR** - Il est possible que le liner ne soit pas parfaitement adapté aux angles de votre piscine. Ce problème n'est pas structurel, simplement esthétique. Ne paniquez pas.
- Lorsque vous commencez à remplir votre piscine, ne remplissez que 2-3 cm d'eau et distribuez correctement les plis du fond depuis l'intérieur, avec les pieds nus. Vous devez également ajuster les angles du fond et des côtés de votre piscine. Il est important de bien distribuer le liner sur tout le côté de la paroi et de le fixer parfaitement.
- Si ce problème se produit, essayez de le monter un jour très ensoleillé avec des températures élevées.
- Pour que le liner s'adapte mieux aux coins de votre piscine, il est conseillé de le chauffer, par exemple avec un sèche-cheveux, à intervalles rapprochés.
- DE** - Der Liner fügt sich möglicherweise nicht perfekt in die Schwimmbeckenecken ein. Dies ist jedoch lediglich ein optisches Problem ohne Auswirkungen auf die Schwimmbeckenstruktur. Machen Sie sich keine Sorgen.
- Lassen Sie zunächst lediglich Wasser bis zu einer Höhe von 2-3 cm in das Schwimmbecken ein und achten Sie darauf, dass es komplett ausgefüllt ist. Achten Sie auch auf Boden und Ecken des Schwimmbeckens. Der Liner muss die komplette Seitenwand des Schwimmbeckens bedecken und gut befestigt werden.
- Bei Problemen empfiehlt sich die Anbringung an einem sehr warmen und sonnigen Tag.
- Damit die Folie besser in die Ecken Ihres Schwimmbeckens passt, ist es ratsam, die Folie in kurzen Abständen zu erwärmen, z.B. mit einem Föhn.
- IT** - Il liner potrebbe non adattarsi perfettamente agli angoli della piscina. Non si tratta di un problema strutturale, ma semplicemente estetico. Non preoccuparsi.
- Quando si inizia a riempire la piscina ricordarsi di riempire solo 2-3 cm di acqua e di stendere bene le pieghe presenti sul fondo dall'interno, a piedi nudi. Occorre, inoltre, regolare gli angoli inferiori e laterali della piscina. È importante distribuire bene il liner su tutto il lato del muro e fissarlo perfettamente.
- Se si verifica questo problema, prova a montarlo in una giornata molto soleggiata con temperature elevate.
- Affinché il liner si adatti meglio agli angoli della vostra piscina, è consigliabile riscaldarlo, ad esempio, con un asciugacapelli in brevi intervalli di tempo.
- NL** - Het kan voorkomen dat de liner niet perfect past in de hoeken van uw zwembad. Dit probleem is niet structureel maar puur esthetisch. Geen paniek dus.
- Wanneer u begint met het met water vullen van het zwembad, vergeet dan niet om eerst een bodempje van slechts 2-3 cm te vullen en de rimpels in de liner op de bodem, op blote voeten en vanuit het midden, gelijkmatig naar buiten weg te werken. U moet de liner ook goed de bodem- en zijhoeken van uw zwembad verdelen. Het is belangrijk dat u de liner goed over de hele wand verdeelt en perfect vastzet.
- Als u last heeft van dit stugheidsprobleem, probeer de liner dan te monteren op een zonnige dag met hoge temperaturen.
- Om de liner beter in de hoeken van uw zwembad te laten passen, is het aangeraden de liner met korte tussenpozen te verwarmen, bv. met een haardroger.
- PT** - É possível que o liner não se ajuste perfeitamente às esquinas da sua piscina. Não se trata de um problema estrutural, e sim de uma questão meramente estética. Não se preocupe.
- Ao começar a encher a piscina, encha o tanque com apenas 2-3 cm de água e estenda bem o fundo desde o interior, com os pés descalços, para eliminar as rugas. Ajuste também as esquinas do fundo e os lados da sua piscina. É importante distribuir bem o liner pelos lados das paredes da piscina, fixando-o corretamente.
- Para evitar o enrugamento do liner, procure colocá-lo num dia de sol, com temperaturas altas.
- Para que a lona se encaixe melhor nos cantos da piscina, é recomendável aquecê-la em intervalos curtos, por exemplo, com um secador de cabelo.

**15****16****17****EN INSTALLATION OF THE COPPING'S TRIMS**

This piece covers the joints of the coping (there must be a space between the coping). It is aesthetic. Possibly and due to irregularities of the terrain the trim does not fit completely. If this happens, do not worry because it does not affect the structural system. In that case we suggest using double faced tape or Velcro.

- Look for the trims. All pools have trims with angular shape. Place them in the coping's connection (photo 15)
- Oval pools have trims for the straight area. The ends are different. Place the longest part on the inside of the pool. (photos 16 and 17).
- Screws are not necessary.

ES COLOCACIÓN DE LOS EMBELLECEDORES DE LAS PLAYAS

Esta pieza sirve para cubrir las uniones de las playas (debe haber un espacio entre las playas). Su función es estética. Es posible que debido a irregularidades en el terreno el embellecedor no ajuste completamente. Si le sucede, no se preocupe ya que no afecta al sistema estructural. En ese caso le aconsejamos utilizar cinta de doble cara o un velcro.

- Busque los embellecedores. Todas las piscinas tienen embellecedores con forma angular. Colóquelos en las uniones de las playas (foto 15)
- Las piscinas ovaladas tienen embellecedores para la zona recta. Los extremos son diferentes. Coloque la parte más larga en el interior de la piscina. (fotos 16 y 17).
- No es necesario atornillarlos.

FR MISE EN PLACE DES ENJOLIVEURS DES MARGELLES

Cette pièce sert à couvrir les unions des margelles (il doit y avoir un espace entre les margelles). Sa fonction est purement esthétique. Il est possible qu'en raison des irrégularités du terrain, la garniture ne s'adapte pas totalement. Dans ce cas, ne vous inquiétez pas, car cela n'a aucun impact sur le système structurel. Nous vous conseillons d'utiliser du ruban adhésif double face ou du velcro.

- Prenez les enjoliveurs. Toutes les piscines en possèdent de forme angulaire. Placez-les dans les unions des margelles (Photo 15).
- Les piscines ovales possèdent des enjoliveurs pour la zone droite. Les extrémités sont différentes. Placez la partie la plus longue à l'intérieur de la piscine (Photos 16 et 17).
- Pas besoin de visser.

DE POSITIONIERUNG DER ZIERBLENDEN DER LATTEN

Diese decken die Verbindungselemente der Handläufe ab (zwischen den Handläufen muss sich ein Abstand befinden). Sie dienen lediglich der Optik. Bei unregelmäßigem Untergrund passen die Zierkappen möglicherweise nicht. Dies hat jedoch keinerlei Auswirkungen auf die Konstruktion. In diesem Fall empfehlen wir doppelseitiges Klebeband oder Klettverschluss.

- Suchen Sie die Zierblenden. Alle Pools haben eckige Zierblenden. Platzieren Sie diese an den Verbindungsstücken der Latten (Foto 15)
- Ovale Pools haben Zierblenden für den geraden Bereich. Die Enden sind unterschiedlich. Setzen Sie das längste Teil in das Innere des Pools. (Fotos 16 und 17).
- Ein Verschrauben ist nicht notwendig.

IT POSIZIONAMENTO DEI COPRI-GIUNTURE DEI BORDI

Questo pezzo serve per coprire le giunture dei bordi (deve esserci un po' di spazio tra i bordi). Hanno una funzione estetica. È possibile che a causa di irregolarità del terreno la copertura non si adatti completamente. Se succede, non bisogna preoccuparsi, poiché ciò non influisce sul sistema strutturale. In questo caso consigliamo l'utilizzo di nastro biadesivo o di velcro.

- Estrarre i copri-giunture. Tutte le piscine sono dotate di copri-giunture a forma angolare. Posizionarli nei punti di unione dei bordi (foto 15)
- Le piscine ovali dispongono di copri-giunture per la zona diritta. Le estremità sono differenti. Posizionare la parte più lunga all'interno della piscina. (foto 16 e 17).
- Non occorre avvitarli.

NL PLAATSEN VAN DE AFWERKINGEN OP DE RANDEN

Dit onderdeel is bedoeld om de verbindingen tussen de zwembadranden te bedekken (er moet wat ruimte tussen de zwembadranden zitten). De functie ervan is puur esthetisch. Het is mogelijk dat de sierstrip niet perfect past door oneffenheden in het terrein. Als dit je overkomt, maak je dan geen zorgen, het heeft geen invloed op het structurele systeem. In dit geval kunnen we je aanraden om dubbelzijdig plakband of zelfklevend klittenband te gebruiken.

- Neem de afwerkingen. Elk zwembad heeft afwerkingen met een hoekige vorm. Plaats deze op de verbindingen van de randen (foto 15)
- De ovale zwembaden hebben afwerkingen voor het rechte gedeelte. De uiteinden zijn anders gevormd. Plaats het grootste deel aan de binnenzijde van het zwembad (foto's 16 en 17).
- Het is niet nodig ze vast te schroeven.

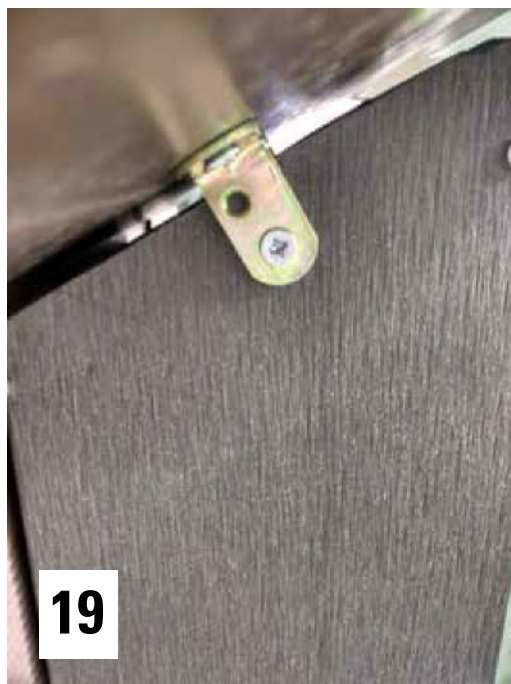
PT COLOCAÇÃO DOS EMBELEZADORES DAS PLATAFORMAS

Esta peça serve para cobrir as uniões das bordas da piscina (deve existir um espaço entre estas), e tem uma função meramente estética. É possível que, devido às irregularidades do terreno, a guarnição não se ajuste completamente. Se for o caso, não se preocupe, porque isso não afeta a estrutura da piscina. Nestes casos, recomendamos utilizar fita adesiva de dupla face, ou velcro

- Busque os embelezadores. Todas as piscinas têm embelezadores com forma angular. Coloque-os nas uniões das plataformas (fotografia 15)
- As piscinas ovaladas têm embelezadores para a zona reta. Os extremos são diferentes. Coloque a parte mais comprida no interior da piscina. (fotografias 16 e 17).
- Não é necessário aparafusá-los.



18



19



20

EN INSTALLATION OF THE STRUCTURAL SYSTEM TRIM

This step is only for oval pools.

This is to cover the vertical posts (photo 18) to give the swimming pool a nicer aesthetic. This piece is for decoration only.

Look for some brackets and screws (4 x 16 mm) that you will find in the bag KITENV.

Screw the bracket as you prefer. In photo 19 there is an example. Two screws for each bracket is enough.

ES COLOCACIÓN DE LOS EMBELLECEDORES DEL SISTEMA ESTRUCTURAL

Este paso es únicamente para piscinas ovaladas.

Se trata de cubrir los postes verticales (foto 18) para darle una estética más bonita a la piscina. Es tan solo una pieza decorativa.

Busque unas escuadras y tornillos (4 x 16 mm) que encontrará en la bolsa KITENV.

Atornille la escuadra como prefiera. En la foto 19 hay un ejemplo. Utilice dos tornillos por cada escuadra. Es suficiente.

FR MISE EN PLACE DES ENJOLIVEURS DU SYSTÈME STRUCTUREL

Cette séquence concerne uniquement les piscines ovales.

Il s'agit de couvrir les poteaux verticaux (Photo 18) pour fournir un meilleur aspect à l'ensemble de la piscine. C'est une pièce purement décorative.

Utilisez les équerres et les vis (4 x 16 mm) fournies dans la pochette KITENV.

Vissez l'équerre comme vous le préférez. La Photo 19 reprend un exemple. Utilisez deux vis par équerre, ce sera suffisant.

DE POSITIONIERUNG DER ZIERBLENDEN DES TRAGWERKS

Dieser Schritt gilt nur für ovale Pools.

Es geht darum, die vertikale Pfosten (Foto 18) zu verdecken, um dem Pool eine ansprechendere Optik zu verleihen. Dies ist nur ein dekoratives Element.

Suchen Sie Anschlagwinkel und Schrauben (4 x 16 mm), die sich in Beutel KITENV befinden.

Verschrauben Sie den Winkel nach Belieben. Foto 19 zeigt ein Beispiel. Benutzen Sie zwei Schrauben pro Winkel. Das reicht aus.

IT POSIZIONAMENTO DEI COPRI-GIUNTURE DELLA STRUTTURA

Questo passaggio si riferisce esclusivamente a piscine ovali.

Si tratta di coprire i paletti verticali (foto 18) per migliorare l'estetica della piscina, esclusivamente a scopo decorativo.

Estrarre squadrette e viti (4 x 16 mm) dalla confezione KITENV.

Avvitare la squadretta con la modalità preferita. La foto 19 riporta un esempio. Sono sufficienti due viti per ogni squadretta .

NL PLAATSEN VAN DE AFWERKINGEN OP DE OPBOUW

Deze stap is alleen van toepassing voor ovale zwembaden.

Dit is alleen bedoeld om de verticale posten af te dekken (foto 18) zodat het zwembad er mooier afgewerkt uitziet. Het gaat hier dus alleen maar om een decoratief onderdeel.

Neem de beugels en schroeven (4 x 16 mm) die u vindt in zak KITENV.

Schroef de beugel vast naar voorkeur. Op foto 19 ziet u een voorbeeld. gebruik twee schroeven voor elke beugel. Dat is voldoende.

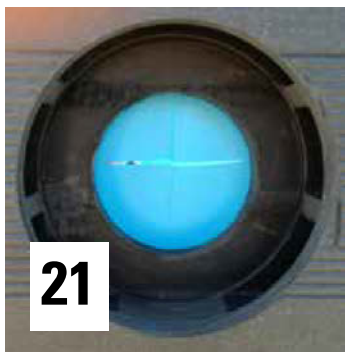
PT COLOCAÇÃO DOS EMBELEZADORES DO SISTEMA ESTRUTURAL

Este passo é apenas para piscinas ovaladas.

Trata-se de cobrir os postes verticais (fotografia 18) para lhes dar uma estética mais bonita à piscina. É apenas uma peça decorativa.

Busque umas ferragens de suporte e uns parafusos (4 x 16 mm) que encontrará no saco KITENV.

Aparafuse a ferragem de suporte como preferir. Na fotografia 19 há um exemplo. Utilize dois parafusos para cada ferragem de suporte. É suficiente.



EN FITTING THE RETURN VALVE (V): (IMPELLER NOZZLE: V)

This valve is located at the bottom of the pool wall, and the water is returned to the pool through it after being treated in the treatment unit. Start pouring water into the pool through a garden hose, and stop 4 cm below the bottom of the valve hole. Mark the position of the hole on the liner with a felt pen and make a cross-shaped cut in the centre of the mark with a stanley knife or similar. Do not cut beyond the edge of the hole (Photo 21). The liner can also be cut before introducing the nozzle, making a circular cut supported at the back on a flat surface.

Locate two return valves of the skimmer box. One valve has a flat finish, which can be used with the hose provided in the kit of your pool. The other return valve has a threaded finish. This should be used if you want to install a semi-rigid PVC pipe (not included). In this case, you will need a coupling to change from 38 mm diameter to 50 mm diameter. This can be found in your nearest DIY store.

ES COLOCACIÓN DE LA BOQUILLA DE RETORNO (V): (BOQUILLA DE IMPULSIÓN V):

Es una válvula situada en la parte inferior de la pared de la piscina, por donde retorna el agua depurada procedente de la depuradora. Comenzar a llenar la piscina (con una manguera de jardín), hasta que llegue a 4 cm por debajo del borde inferior de la boquilla. Marcar el orificio en el liner con un rotulador y hacer un corte en cruz en el centro con ayuda de un cúter (cuchilla), sin rebasar el agujero del troquel

(Foto 21). También puede cortar el liner antes de introducir la boquilla, haciendo un corte circular apoyando por detrás una superficie plana.

Localice dos válvulas de retorno de la caja del skimmer. Hay una válvula con una terminación lisa, que podrá utilizar con la manguera proporcionada en el kit de su piscina. Por otro lado, encontrará otra válvula de retorno con una terminación roscada. Deberá utilizar esta pieza si quiere instalar una manguera de PVC semi-rígido (no incluida). En este caso, necesita un acople para cambiar de diámetro 38 mm a diámetro 50 mm, que podrá encontrar en su tienda de bricolaje más cercana.

FR MONTAGE DE LA VALVE DE REFOULEMENT (V): (BUSE D'IMPULSION : V)

La tôle est munie de 2 perçages, afin d'y fixer le skimmer et la buse de refoulement. BUSE DE REFOULEMENT : elle est installée sur la tôle, dans le milieu de la piscine. L'eau provenant de l'épurateur, retourne dans la piscine au travers de cette buse. Commencer le remplissage de la piscine avec un tuyau d'arrosage. Arrêter le remplissage à 4 cm du bord inférieur du perçage de la buse. Ne pas dépasser le niveau de perçage de la buse. Faire une découpe de 4 cm en forme de croix dans le liner, au centre du perçage de la buse, à l'aide d'un cutter. ATTENTION, NE PAS DÉPASSER LE TROU (Photo 21). Vous pouvez également couper le liner avant d'introduire la buse, en effectuant une coupe circulaire en appuyant par derrière une surface plate.

Localisez deux clapets antiretour dans la boîte du skimmer. Il y a une vanne avec une terminaison lisse que vous pourrez utiliser avec le tuyau fourni avec le kit de votre piscine. Vous trouverez un deuxième clapet antiretour avec une finition fileté. Vous devrez utiliser cette pièce pour installer un tuyau en PVC semi-rigide (non inclus). Dans ce cas, il faudra prévoir un raccord pour passer du diamètre 38 mm au diamètre 50 mm que vous pourrez trouver dans votre magasin de bricolage le plus proche.

DE EINBAU DES RÜCKLAUFVENTIL (V):

Es handelt sich um ein unten an der Beckenwand befindliches Ventil, durch das das geklärte Wasser aus der Filteranlage ins Becken zurückfließt. Befüllen Sie das Becken zunächst bis ca. 4 cm Wasser unter dem unteren Rand der Ventilöffnung. Markieren Sie in dem Liner einen zentrierten kreuzförmige Schnitt, und dann mit Hilfe eines Cutters schneiden, ohne den Durchmesser der Öffnung zu überschreiben (Foto 21). Sie können den Liner auch vor Einführen des Mundstücks zuschneiden, indem Sie es von hinten auf einer flachen Oberfläche abstützen und einen runden Einschnitt anbringen.

Bringen Sie zwei Rücklaufventile am Kasten des Skimmers an. Das Ventil mit glattem Ende kann für den Schlauch des Schwimmbecken-Kits verwendet werden. Das andere Rücklaufventil endet in einem Gewinde. Dieses Ventil verwenden Sie zur Anbringung eines halbsteifen PVC-Schlauches (nicht enthalten). Hier benötigen Sie eine Kupplung, um den Durchmesser von 38 mm auf 50 mm zu ändern. Diese erhalten Sie in jedem Handwerksgeschäft.

IT MONTAGGIO DELLA VALVOLA DI RITORNO (V): (UGELLO DI SPINTA V):

Come si può capire dal nome si tratta di una valvola situata nella parte inferiore della parete della piscina, da dove ritorna l'acqua depurata alla piscina proveniente dal depuratore. Iniziare il riempimento della piscina con acqua (mediante un idrante da giardino). Non superare il livello della valvola, fermare l'acqua, una volta raggiunti circa i 4 cm dal bordo inferiore del foro. Procedete a segnare il foro sulla fodera (liner) mediante un pennarello a fare un taglio a croce sul centro servendovi di un cutter senza oltrepassare il foro del prestampato (Foto 21). E' possibile tagliare il liner prima di introdurre la bocchetta effettuando un taglio circolare appoggiandovi dietro una superficie piana.

Individuare le due valvole di ritorno della scatola dello skimmer. E' presente una valvola con parte terminale liscia, che potrà essere utilizzata con il tubo all'interno del kit per la piscina. E' presente inoltre un'altra valvola di ritorno con parte terminale filettata. Questo pezzo dovrà essere utilizzato per installare un tubo in PVC semi-rigido (non incluso). In questo caso, per modificare il diametro da 38 mm a 50 mm, è necessario l'utilizzo di un raccordo reperibile presso il più vicino negozio di ferramenta.

NL MONTAGE VAN DE TERUGVOERKLEP (V): (MOND AANDRIJVING V):

Dit is een klep, gesitueerd aan de onderkant van de wand van het zwembad, waardoor het gezuiverde water, afkomstig van de zuiveringsinstallatie weer terugstroomt. Begin het zwembad met water te vullen (met een tuinslang) totop een niveau van 4 cm onder de benedenrand van de klep. Geef de opening in het dek (de liner) aan met een vilstift en maak in het midden een kruisvormige insnijding met behulp van een mesje, zonder de geponste opening te overschrijden (Foto 21). U kunt de liner ook insnijden voordat de de spuitmond wordt geplaatst; snijd in dat geval een cirkel uit terwijl u er een bijv. stuk hout met een glad oppervlak achter houdt.

Zoek de twee terugslagventielen van de skimmerbehuizing. Er is één ventiel met een gladde aansluiting, die u kunt gebruiken met de slang die bij uw zwembadset is geleverd. Daarnaast vindt u een ander terugslagventiel met een schroefdraadaansluiting. Dit onderdeel moet u gebruiken wanneer u een half-stijve PVC-slang wilt installeren (niet inbegrepen). In dit geval heeft u een koppelstuk nodig om van 38 mm diameter te veranderen naar 50 mm diameter; zo'n koppelstuk kunt u vinden in de dichtstbijzijnde doe-het-zelfzaak.

PT MONTAGEM DA VALVULA DE EVACUAÇÃO (V): (CANO DE IMPULÇÃO V):

É uma válvula instalada na parte baixa da piscina que permite à água que vem do purificador de ser evacuada para a piscina. Començar o enchimento da piscina (com uma mangueira). Não ultrapassar o nível da válvula. Só encher até uma altura de 4 cm do bordo interior do orifício. Marcar o orifício da coberta com uma esferográfica e cortar desenhando uma cruz no centro com uma lâmina, sem ultrapassar o orifício (Foto 21). Também pode cortar o liner antes de introduzir o bico, realizando um corte circular apoiando por detrás uma superfície plana.

Localize as duas válvulas de retorno da caixa do skimmer. Há uma válvula com uma terminação lisa, que poderá utilizar com a mangueira fornecida no kit da sua piscina. Por outro lado, encontrará mais uma válvula de retorno com uma terminação roscada. Deverá utilizar esta peça caso queira instalar uma mangueira de PVC semirrígido (não incluída). Nesse caso, precisa de uma junção para passar de diâmetro 38 mm para diâmetro 50 mm, e que poderá encontrar na sua loja de bricolagem mais próxima.



22



23



24



25



26

EN Insert the nozzle from the inside of the pool through the cut already made with a friction ring (F) and a gasket (J) once they are placed. This way, the gasket (J) is in contact with the liner. Cut the piece of the liner that is visible from the outside (Picture 22). The other gasket (J) is put into place from the outside, place it at the very back in contact with the liner (Photo 23). Place the other friction ring (F) (Photo 24) and tighten firmly with the nut (T). (Photo 25)

To properly insert the nut from the exterior, the person located inside the pool holding the return valve, should slightly move backwards to fix the nut with the composite form the exterior. (photo 25 - 26)

ES Se introduce la boquilla desde el interior de la piscina a través del corte realizado, con un anillo de fricción (F) y una junta (J) ya colocados en la boquilla. De este modo, la junta (J) queda en contacto con el liner. Corte el trozo de liner que asoma por el exterior. (Foto 22). La otra junta (J) se coloca desde el exterior, doblándola y atravesando el panel, para que quede en contacto con el liner y el panel. (Foto 23). Coloque el otro anillo de fricción (F) (foto 24) y apretar firmemente con la tuerca (T). (Foto 25)

Para insertar la tuerca desde el exterior, la persona que esté en el interior de la piscina sujetando la válvula de retorno, debe realizar un leve movimiento hacia atrás para poder fijar la tuerca con el panel de composite desde el exterior. (foto 25 - 26)

FR La buse est introduite depuis l'intérieur de la piscine à travers la coupure effectuée, avec un anneau de friction (F) et un joint (J) déjà placés dans la buse. De cette façon, le joint (J) reste en contact avec le liner. Coupez le morceau de liner qui ressort vers l'extérieur (Photo 22). L'autre joint (J) est placé depuis l'extérieur, en le pliant et en passant le panneau afin qu'il soit en contact avec le liner et le panneau (Photo 23).

Positionner l'autre bague de friction (F) (Photo 24). Ajuster l'ensemble des pièces en serrant fermement avec l'écrou (T).

Pour insérer l'écrou depuis l'extérieur, la personne qui se trouve à l'intérieur de la piscine en train de soutenir le clapet antiretour doit réaliser un léger mouvement vers l'arrière pour pouvoir fixer l'écrou au panneau de composite depuis l'extérieur (photo 25 - 26)

DE Die Düse wird vom Inneren des Beckens aus mit dem Reibering (F) und der Fugendichtung (J) bereits in der Düse in die Öffnung eingeführt. Auf diese Weise bleibt die Fugendichtung (J) in Kontakt mit der Abdeckung. Schneiden Sie das Stück der Abdeckung ab, das an der Außenseite übersteht. (Foto 22). Die andere Fugendichtung (J) wird von außen aufgesetzt, gefaltet und durch die Verkleidung geschoben, damit Sie in Kontakt mit der Abdeckung und der Verkleidung bleibt. (Foto 23).

Bringen Sie den anderen Nebendichtungsring (F) (Foto 24) an und ziehen Sie ihn mit der Mutter fest (T). (Photo 25)

Um die Schraube von außen anzubringen muss sich die Person, die das Rücklaufventil im Inneren des Schwimmbeckens befestigt, leicht nach hinten bewegen, um die Schraube von außen an der Kompositplatte zu befestigen. (Abbildung 25 - 26)

IT Si introduce la bocchetta dall'interno della piscina mediante l'apposito taglio, con un anello di frizione (F) e un elemento di giunzione (J) già posizionati sulla bocchetta. In questo modo, l'elemento di giunzione (J) rimane a contatto con il liner. Tagliare la parte di liner che fuoriesce all'esterno. (Foto 22). L'altro elemento di giunzione (J) si posiziona dall'esterno, piegandolo e facendolo passare attraverso il pannello, affinché rimanga a contatto con il liner e con il pannello. (Foto 23).

Posizionare l'altro anello di frizione (F) (foto 24) e stringere a fondo con il dado (T) (Foto 25).

Per inserire il dado dall'esterno, la persona che si trova all'interno della piscina per sostenere la valvola di ritorno, deve fare un leggero movimento all'indietro per poter fissare il dado al pannello in composite dall'esterno. (foto 25 - 26)

NL Het spuitstuk wordt vanaf de binnenkant van het zwembad ingebracht via de gemaakte snede, met een wrijvingsring (F) en een pakking (J) die al in het spuitstuk zijn aangebracht.

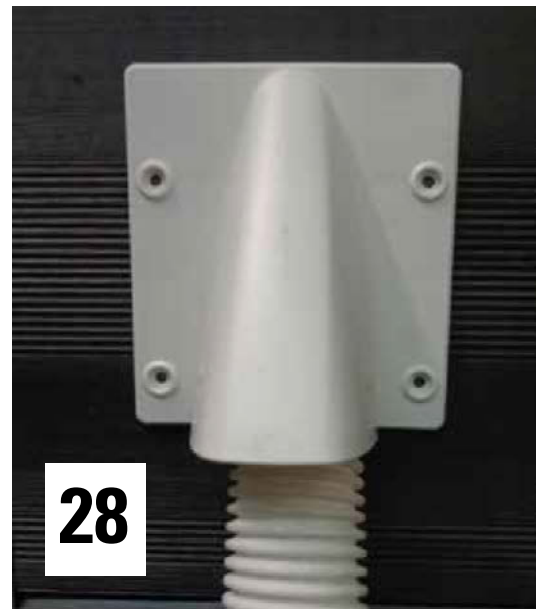
Op deze manier blijft de junta (J) in contact met de liner. Snijd het stukje liner af dat naar buiten steekt. (Foto 22). De andere pakking (J) wordt vanaf de buitenkant geplaatst, vouw hem dubbel en steek hem door het paneel, zodat deze in contact blijft met de liner én het paneel. (Foto 23). Plaats het andere wrijvingsring (F) (foto 24) aan en span ze stevig aan met behulp van de moer (T). (Foto 25).

Om de moer vanaf de buitenkant in te steken, moet de persoon die zich in het bassin bevindt en het terugslagventiel vasthoudt, een kleine achterwaartse beweging maken om de moer vanaf de buitenkant vast te kunnen zetten op het composietpaneel (foto 25 - 26).

PT Insere-se o bico a partir do interior da piscina através do corte realizado, com um anel de fricção (F) e uma junta (J) já colocados no bico. Desse modo, a junta (J) fica em contacto com o liner. Corte o pedaço de liner que assoma pelo exterior. (Foto 22). A outra junta (J) é colocada a partir do exterior, dobrando-a e passando o painel para que quede em contacto com o liner e com o painel. (Foto 23).

Coloque o outro anel de fricção (F) (fotografia 24) e apertar firmemente com a porca (T) (Fotografia 25).

Para inserir a porca a partir do exterior, a pessoa que se encontra no interior da piscina segurando a válvula de retorno deve realizar um leve movimento para trás a fim de poder fixar a porca com o painel de compósito a partir do exterior. (fotografias 25 - 26)



EN Insert the return hose (M) which goes from the outlet of the treatment unit to the return valve (V), and secure it with the clamp (A) (photo 27). When the filtering is working, the safety cover must be installed as seen in photo 28. Use the screws included in the kit.
Tip: You can use a 2 mm drill bit to make a guide on the panel, this way it is easier to screw it. It is advisable that it is attached once the filtration has begun. This way you can correct any problems you have with the filtration without needing to remove the trim.

ES Insertar la manguera de retorno (M), que va desde la toma de salida de la depuradora, hasta la boquilla de retorno (V) y sujetarla con la abrazadera (A) (foto 27). Cuando la filtración esté en funcionamiento, debe instalar el embellecedor de seguridad como en la foto 28. Utilice los tornillos incluidos. Consejo: puede usar una broca de 2 mm para hacer una guía en el panel. De esta manera es más fácil atornillarlo. Es recomendable fijarlo una vez ponga en marcha la filtración.
Así podrá corregir cualquier problema que tenga con la filtración sin necesidad de quitar el embellecedor.

FR Ce montage doit se mener à bien avec beaucoup de soin, évitant les plis à travers lesquels pourraient se produire des fuites d'eau. Avant de continuer le remplissage de la piscine il faudra installer le tuyau de refoulement (M) qui va de la prise de sortie de l'épurateur à la buse de refoulement (V), en le fixant avec deux colliers (A) (photo 27).
Lorsque la filtration est en marche, il faut installer l'enjoliveur de sécurité comme sur la photo 28. Utilisez les vis incluses.
Conseil : vous pouvez utiliser une mèche de 2 mm pour réaliser un guide sur le panneau. Ce sera plus facile à visser. Il est recommandé de le fixer après avoir mis en marche la filtration. Vous pourrez ainsi corriger les possibles problèmes de filtration sans besoin de retirer l'enjoliveur.

DE Rücklaufschlauch (M) zwischen dem Ausgang der Filteranlage und dem Rücklaufventil (V) mit den Rohrschellen (A) anbringen (Foto 27). Nachdem die Filteranlage funktionsfähig ist, muss die Sicherheitskappe wie in Abbildung 28 angebracht werden.
Tipp: Sie können einen 2-mm-Bohrer benutzen, um eine Führung an der Verkleidung zu erstellen. Auf diese Weise ist das Verschrauben einfacher. Es empfiehlt sich, sie zu befestigen, sobald Sie die Filtration in Gang setzen. Dadurch können Sie ein etwaiges Problem mit der Filtration korrigieren, ohne die Zierblende entfernen zu müssen.

IT Inserire la manica di ritorno (M) che va dall'uscita del depuratore fino alla valvola di ritegno (V) e fissarla con la ghiera (A) (foto 27).
Mentre avviene la filtrazione, occorre posizionare il copri giuntura di sicurezza come indicato nella foto 28. Utilizzare le viti fornite
Consiglio: è possibile utilizzare una punta da 2mm per creare una guida nel pannello. Ciò agevolerà l'avvitamento. Convieni fissarlo dopo aver avviato la filtrazione.
Sarà così possibile corre.

NL Breng de waterslang voor het terugkerende water (M), die van de uitlaat van de zuiveringsinstallatie naar het terugslagventiel (V) loopt, in en zet haar vast met de klemring (A) (foto 27).
Als de filtering werkt, moet de beschermende afwerking worden geïnstalleerd zoals te zien is op foto 28. Gebruik de bijgeleverde schroeven. Tip: u kunt een boor van 2 mm gebruiken om een geleiding te maken in het paneel. Op deze manier wordt het vastschroeven veel makkelijker. Het is raadzaam om hem vast te zetten nadat de filtering in werking is gezet. Zo kunt u eventuele problemen met de filtering corrigeren zonder dat het nodig is om de afwerking los te maken.

PT Montar a mangueira de retorno (M) que vai da tomada de saída do purificador até à válvula de retorno (V) e sujeitá-la com a braçadeira (A) (fotografia 27). Quando a filtração se encontra em funcionamento, deve instalar o embelezador de segurança, como mostrado na fotografia 28. Utilize os parafusos incluídos.
Conselho: pode utilizar uma broca de 2 mm para fazer um pequeno furo no painel. Desta forma será mais fácil aparafusar. É recomendável fixá-lo após colocar a filtração em funcionamento. Assim poderá corrigir qualquer problema que tenha com a filtração sem necessidade de retirar o embelezador.



29



30



31



32

EN ATTACHING THE SKIMMER BODY (S) TO THE OUTSIDE OF THE POOL:

Fill the pool with water until it reaches 4 cm from the bottom of the die of the skimmer. Affix the seal ring and position the skimmer frame. Screw it with a screwdriver. Using a Stanley knife, cut the bit of the liner (L) that the skimmer frame covers (only the inside bit). Finally, place the trim piece. Note that the trim has "max" and "min" markings. They indicate the maximum and the minimum level of water that your pool should have. Cover the connecting bushing (C) and the water treatment unit with Teflon. Screw the connecting bushing (C) tightly to the skimmer and connect one end of the hose to the skimmer connecting bushing (C) using a clamp (A). Then fit the other end to the treatment unit and clamp it. Important: Use Teflon on all water hose connection threads to ensure leak-tightness. Locate the aluminium trim for the skimmer. To secure it to the panel, take 8 screws (4 x 16 mm) from the box: KITENV....

ES FIJACION DEL CUERPO DEL SKIMMER (S) AL EXTERIOR DE LA PISCINA:

Seguir llenando de agua la piscina, hasta que el nivel esté a 4 cm. de la parte inferior del troquel del skimmer. Pegue la junta de estanqueidad y coloque el marco del skimmer. Atorníllelo con un destornillador. Recorte con un cúter (cuchilla) el liner (L) que se encuentra en el interior de la piscina y ocupa el recuadro del troquel. Finalmente, ponga el embellecedor. Observe que el embellecedor tiene unas marcas de "max" y "min". Indican el máximo y el mínimo de nivel de agua que debe tener su piscina. Cubrir con teflón el manguito de conexión (C) y la toma de entrada del agua de la depuradora. Atornillar fuertemente el manguito de conexión (C) al cuerpo del skimmer y conectar un extremo de la manguera con la ayuda de una abrazadera (A) al manguito de conexión del skimmer (C). Encajar el otro extremo de la manguera a la entrada de la toma de agua de la depuradora y apretar con la ayuda de una abrazadera. IMPORTANTE: Poner teflón en todas las rosas de conexión de agua. Busque el embellecedor de aluminio del skimmer. Para fijarlo al panel, coja 8 tornillos (4 x16 mm) de la caja: KITENV....

FR INSTALLATION DU CORPS DU SKIMMER (S) À L'EXTÉRIEUR DE LA PISCINE:

Continuer a remplir la piscine, jusqu'à ce que le niveau d'eau soit à 4 cm de la partie inférieure du perçage du skimmer. Collez le joint d'étanchéité et placez le cadre du skimmer. Vissez-le avec un tournevis. Avec une lame (cutter) découper la liner (L) qui se trouve à l'intérieur de la piscine au format du perçage. Ensuite, placez l'enjoliveur. Ce dernier présente des marques de « max » et « min » qui indiquent le niveau maximum et minimum du niveau de l'eau que devra respecter votre piscine. Recouvrir le tube de connexion (C) ainsi que la prise d'entrée d'eau de l'épurateur avec du Téflon. Visser fortement le tube de connexion (C) au corps du skimmer et brancher l'extrémité de tuyau à l'aide d'un collier (A) au tube de connexion du skimmer (C). Emboîter l'autre extrémité du tuyau à l'entrée de la prise d'eau de l'épurateur et serrer à l'aide d'un collier. IMPORTANT: Recouvrir de Téflon tous les filetages de raccord d'eau, pour en garantir l'étanchéité. Prenez l'enjoliveur en aluminium du skimmer. Pour le fixer au panneau, prenez 8 vis (4 x 16 mm) de la boîte: KITENV....

DE BEFESTIGUNG DES SKIMMERGEHÄUSES (S) AN DER BECKENWAND:

Pool weiter mit Wasser bis zu einer Höhe von ca. 4 cm. innem am gestanzten Teil des Skimmers befüllen. Verkleben Sie die Fugendichtung und platzieren Sie den Rahmen des Skimmers. Verschrauben Sie ihn mit einem Schraubenzieher. Schneiden sie mit einem Cutter (Messer) den Liner (L) auf der innem im Pool den Stanzrahmen abdeckt. Platzieren Sie schließlich die Zierblende: Sie werden feststellen, dass die Zierblende die Markierungen „max“ und „min“ aufweist. Sie zeigen Maximum und Minimum des Wasserstands an, den Ihr Pool haben sollte. Mit Teflon die Anschlussmuffe (C) und den Wasseranschluss der Wasserreinigungsanlage abdecken. Anschlussmuffe (C) fest an das Skimmergehäuse schrauben und ein Schlauchende mit Hilfe der Rohrschelle (A) an die Anschlussmuffe des Skimmers (S) anschließen. Das andere Schlauchende an den Wasseranschluss der Wasserreinigungsanlage anschließen und mit einer Rohrschelle sichern. WICHTIG: Um für Abdichtung zu sorgen, alle Wasseranschlussgewinde mit Teflon abdecken. Suchen Sie die Aluminiumzierblende des Skimmers. Zur Befestigung an der Verkleidung nehmen Sie 8 Schrauben (4 x 16 mm) aus Paket: KITENV....

IT FISSAGIO CORPO SKIMMER (S) ALL'ESTERNO DELLA PISCINA:

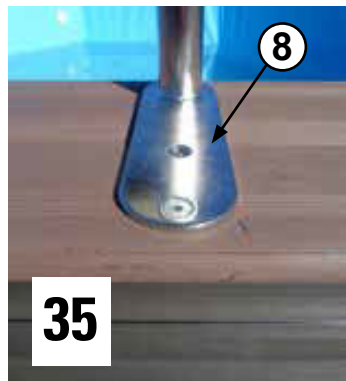
Continuare a riempire d'acqua la piscina, fino a un livello di 4 cm. dalla parte inferiore dello stampo dello skimmer. Piegare il giunto a tenuta stagna o posizionare il telaio dello skimmer. Avvitarlo con un cacciavite. Tagliare con cutter (lama) il liner (L) che si trova all'interno della piscina e che occupa il riquadro dello stampo. Posizionare infine il copri-giuntura. Il copri-giuntura ha due tacche "max" e "min". Indicano il livello massimo e minimo dell'acqua nella piscina. Ricoprire con Teflon il raccordo di attacco (C) al corpo dello skimmer ed unire un'estremità del tubo flessibile all'entrata della presa d'acqua della depuratrice e stringere servendosi di una fascetta. IMPORTANTE: Porre teflon in tutte la filettature degli attachi d'acqua, allo scopo di assicurare la tenuta stagna. Estrarre il copri-giuntura in alluminio dello skimmer all'interno della confezione. Per fissarlo al pannello, utilizzare 8 viti (4 x 16 mm) presenti all'interno della scatola: KITENV....

NL HET VASTZETTEN VAN HET SKELET VAN DE SKIMMER (S) AAN DE BUITENKANT VAN HET ZWEMBAD:

U vervolgt met het vullen van het zwembad totdat het niveau top op 4 cm. beneden geponste opening van de skimmer komt te staan. Lijm de waterdichte pakking vast en plaats het kader van de skimmer. Schroef hem vast met een schroevendraaier. Tot slot plaatst u de afwerking. Snij met een cutter het dek (de liner L) dat zich aan de binnenkant van het zwembad bevindt en dat het vierkant van de geonste opening bedekt, af. Hou er rekening mee dat de afwerking een markering heeft met "max" en "min". Deze geven het maximale en het minimale waterniveau aan dat uw zwembad moet hebben. Het verbindingsslangetje (C) en de aansluiting van de watertoevoer van de zuiveringinstallatie met Teflon bedekken. Het verbindingsslangetje (C) stevig aan het skelet van de skimmer aanschroeven en het uiteinde van de waterslang met behulp van een klemband (A) aansluiten aan het verbindingsslangetje van de skimmer (C). Het andere uiteinde van de waterslang inpassen in de toever van de wateraansluiting van zuiveringinstallatie en stevig vastzetten met behulp van een klemband. BELANGRIJK: Teflon aanbrengen aan schroefdraden van de wateraansluiting teneinde lekkages te voorkomen. Neem de aluminium afwerking van de skimmer. Om aan het paneel vast te zetten, 8 schroeven (4 x 16 mm) uit doos KITENV....

PT SUJEIÇÃO DO CORPO DO SKIMMER (S) AO EXTERIOR DA PISCINA:

Continuar a encher a piscina até o nível estar a 4 cm da parte inferior da peça furada do skimmer. Cole a junta de estanqueidade e coloque a moldura do skimmer. Aparafuse-o com uma chave de fendas. Com um cutter, corte o liner (L) do interior da piscina que ocupa o quadro da peça furada. Finalmente, coloque o embelezador. Observe que o embelezador tem umas marcas de "máx" e "mín", que indicam o máximo e o mínimo de nível de água que a sua piscina deve ter. Cobrir com teflon o tubo de ligação (C) ao corpo do skimmer e ligar um extremo da mangueira com uma braçadeira (A) ao tubo de ligação do skimmer (C). Encaixar o outro extremo da mangueira à entrada da tomada de água da depuradora e apertar com uma braçadeira. MUITO IMPORTANTE: Envolver com Teflón todas as rosas de conexão de água para assegurar a estanqueidade. Busque o embelezador de alumínio do skimmer. Para fixá-lo ao painel, pegue em 8 parafusos (4 x 16 mm) do caixa: KITENV....

**33****34****35****36****EN PLACEMENT OF THE INTERNAL LADDER**

- Take out the ladder and follow the installation instructions. Think about where you want to have the entry for your swimming pool. You can also mount it and put it into pool without attaching the fastenings to see how it looks. Just support it on the shore.
- Look for two metal plates. These parts are essential to correctly affix the ladder. Put them on place panels (photo 33) and make a hole from the bottom using the proper drill bit N° 10 (photo 34).
- Place part 8, the fastening, so that it coincides with the hole. Use the short bolt and secure it with a nut and washer. (photo 35).
- Finish securing the plate by making another hole and securing it with a long screw bolt. (photo 36).
- Once one of the ladder's fastenings is secured, introduce the other fastening. Make a mark where the screw hole should be made. This step is very important, as it must match the distance between the ladder rails.

ES COLOCACIÓN DE LA ESCALERA INTERIOR

- Saque la escalera y siga las instrucciones de montaje. Piense el lugar de su piscina en el que desea tener la entrada. Para que sea más real puede montarla y presentarla dentro de su piscina sin poner los anclajes. Simplemente apóyela en la playa.
- Busque dos chapas metálicas. Estas piezas son fundamentales para fijar correctamente la escalera. Presente una de las dos chapas (foto 33) y haga un agujero desde abajo con una broca apropiada N° 10 (foto 34).
- Coloque la pieza 8, el anclaje, de tal manera que coincida con el agujero. Meta el tornillo más corto y fíjelo con una tuerca y arandela. (foto 35).
- Termine de fijar la chapa haciendo otro agujero y fijándola con el tornillo más largo. (foto 36)
- Una vez fijado un anclaje de la escalera, presente el otro anclaje. Marque el lugar donde debe hacer el agujero de los tornillos. Este paso es muy importante, ya que debe coincidir bien la distancia entre los pasamanos de la escalera.

FR INSTALLATION DE L'ÉCHELLE INTÉRIEURE

- Prenez l'échelle et suivez les instructions de montage. Pensez tout d'abord à quel endroit de la piscine vous voulez établir l'entrée. Pour vous faire une idée, vous pouvez présenter l'échelle à différents emplacements sans placer les ancrages. Pour cela, appuyez-la simplement sur la plage.
- Prenez deux plaques métalliques. Ces pièces sont essentielles pour fixer correctement l'échelle. Présentez une des deux plaques (Photo 33) et faites un trou depuis le bas avec une mèche adaptée N° 10 (Photo 34).
- Placez ensuite la pièce 8 et l'ancrage de façon à le faire coïncider avec le trou. Introduisez la vis la plus courte et fixez-la avec un écrou et une rondelle N° 8 (Photo 35).
- Terminez de fixer la plaque en faisant un autre trou et placez maintenant la vis la plus longue (Photo 36).
- Une fois que l'ancrage de l'échelle est fixé, présentez le deuxième ancrage. Marquez l'emplacement du trou pour les vis. Cette étape est très importante, étant donné que la distance entre les mains courantes de l'échelle doit coïncider.

DE POSITIONIERUNG DER TREPPE IM INNEREN DES BECKENS

- Nehmen Sie die Treppe heraus und befolgen Sie die Montageanweisungen. Überlegen Sie sich, wo an Ihrem Pool der Eingang sein soll. Damit es realer wirkt, können Sie diese zusammenbauen und in den Pool halten, ohne Verankerungen einzusetzen. Lehnen Sie sie einfach an die Latte.
- Suchen Sie zwei Metallplatten. Diese Elemente sind grundlegend, um die Treppe richtig zu befestigen. Halten Sie eine der beiden Platten (Foto 33) und bringen Sie mit einem passenden Bohrer von unten eine Bohrung an N° 10 (Foto 34).
- Platzieren Sie Element 8, die Verankerung so, dass sie mit der Bohrung übereinstimmt. Setzen Sie die kürzeste Schraube ein und befestigen Sie diese mit einer Mutter und Unterlegscheibe. (Foto 35).
- Beenden Sie die Befestigung der Platten, indem Sie eine weitere Bohrung anbringen und sie mit der längsten Schraube befestigen. (Foto 36)
- Nach Befestigen einer Verankerung der Treppe, halten Sie die andere Verankerung. Kennzeichnen Sie die Stelle, an der Sie die Bohrung für die Schrauben vornehmen müssen. Dieser Schritt ist sehr wichtig, da der Abstand zwischen den Handläufen der Treppe übereinstimmen muss.

IT POSIZIONAMENTO DELLA SCALETTA INTERNA

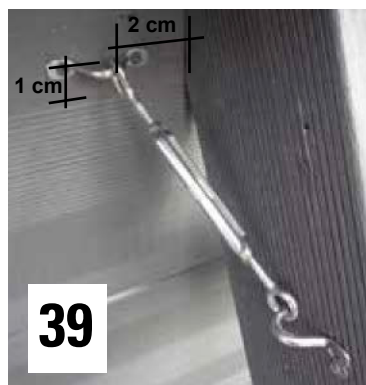
- Estrarre la scaletta e seguire le istruzioni di montaggio. Stabilire il punto della piscina dove posizionarla. Per rendersi conto dell'effetto è possibile montarla e posizionarla all'interno della piscina senza gli elementi di fissaggio, appoggiandola semplicemente al rivestimento.
- Prendere due piastre metalliche. Questi componenti sono fondamentali per fissare correttamente la scaletta. Appoggiare una delle due piastre (foto 33) e realizzare un foro dalla parte inferiore con una punta idonea N° 10 (foto 34).
- Posizionare il pezzo 8 e fissarlo in modo che coincida con il foro. Fissare la vite più corta con un dado e una rondella. (foto 35).
- Terminare il fissaggio della piastra praticando un altro foro e fissandola con la vite più lunga. (foto 36)
- Una volta fissato un elemento di fissaggio della scaletta, procedere al fissaggio dell'altro. Segnare la posizione dove praticare l'altro foro. Questo passaggio è molto importante poiché la distanza tra i due corrimano della scaletta deve coincidere.

NL PLAATSEN VAN DE BINNENTRAP

- Neem de trap en volg de montage-instructies. Bepaal op welke plek van uw zwembad u de ingang wilt hebben. Om het echter te laten lijken kunt u de ladder in elkaar zetten en in het zwembad plaatsen zonder dat u de verankerung aanbrengt. Plaats hem gewoon op de rand van het bad.
- Neem twee metalen platen. Deze onderdelen zijn fundamenteel voor het correct vastzetten van de trap. Houd een van de twee platen op zijn plek (foto 33) en maak een gat van onderaf met een geschikte boor N° 10 (foto 34).
- Plaats deel 8, de verankerung, zodanig dat deze samenvalt met het gat. Steek de kortste bout erin en zet deze vast met een moer en ring. (foto 35).
- Besluit het fixeren van de plaat door nog een gat te boren en hem vast te zetten met de grootste moer. (foto 36)
- Als de ene verankerung van de trap is vastgezet, gaat u verder met de andere verankerung. Markeer de plaats waar het gat voor de schroeven moet worden gemaakt. Deze stap is heel belangrijk, want het moet precies kloppen met de afstand tussen de leuning van de trap.

PT COLOCAÇÃO DA ESCADA INTERIOR

- Retire a escada e siga as instruções de montagem. Escolha o lugar da piscina em que pretende ter a entrada. Para que seja mais real, pode montá-la e apresentá-la dentro da piscina sem colocar as ancoragens. Apoie-a simplesmente na plataforma.
- Busque duas chapas metálicas. Estas peças são fundamentais para fixar corretamente a escada. Coloque uma das duas chapas (fotografia 33) e faça um furo a partir de abaixo com uma broca apropriada N° 10 (fotografia 34).
- Coloque a peça 8, a ancoragem, de tal maneira que coincida com o furo. Insira o parafuso mais curto e fixe-o com uma porca e uma anilha (fotografia 35).
- Acabe de fixar a chapa fazendo outro furo e inserindo o parafuso mais comprido (fotografia 36).
- Após fixada uma ancoragem da escada, coloque a outra ancoragem. Marque o lugar onde deve fazer o furo dos parafusos. Este passo é muito importante, uma vez que deve coincidir bem a distância entre os corrimãos da escada.



EN PLACEMENT OF THE EXTERNAL LADDER

- Remove the ladder from the box with great care. Look for 8 screws (3.5 x 25 mm) and two hooks in the box: KITENV...

- Place the ladder against the pool wall (photo 37) and make a mark as shown (Photo 38). Measure 2 cm from the ladder and 1 cm from the marks of the panel. (photo 39). Here you will make the upper hole for the hook. It should look like the (photo 38).

Look for the hook and insert it as shown on photo 40. Follow the same procedure to secure it to the handrail (photo 39).

ES COLOCACIÓN DE LA ESCALERA EXTERIOR

-Saque la escalera de la caja con mucho cuidado. Busque 8 tornillos (3.5 x 25 mm) y dos ganchos en la caja: KITENV...

-Presente la escalera contra la pared de la piscina (foto 37) y realice una marca como indica la (foto 38). Mida 2 cm de distancia con la escalera y 1 cm de las marcas del panel. (foto 39). Ese será el lugar para realizar el agujero superior del enganche. Debe quedar como la (foto 38).

-Busque el gancho y preséntelo como en la (foto 40). Siga el mismo procedimiento para fijarlo a los pasamanos (foto 39).

FR INSTALLATION DE L'ÉCHELLE EXTÉRIEURE

-Retirez l'échelle de la boîte en faisant attention de ne pas l'endommager. Cherchez ensuite 8 vis (3.5 x 25 mm) et deux crochets dans la boîte: KITENVCO41 - KITENVCOV52 - KITENVCOV66 - KITENVCOV80.

-Présentez l'échelle contre la paroi de la piscine (Photo 37) et effectuez une marque comme cela est repris sur la (Photo 38). Mesurez 2 cm de distance avec l'échelle et 1 cm des marques du panneau (Photo 39). Il s'agit de l'emplacement pour effectuer le trou supérieur de la fixation. Le résultat doit être le même que sur la (Photo 38).

-Prenez le crochet et présentez-le comme dans la (Photo 40). Suivez le même procédé pour le fixer aux mains courantes (Photo 39).

DE POSITIONIERUNG DER TREPPE AUSSEN AM BECKEN

-Nehmen Sie die Treppe vorsichtig aus der Box. Suchen Sie 8 Schrauben (3,5 x 25 mm) und zwei Haken in Paket: KITENV...

-Lehnen Sie die Treppe gegen die Wand des Pools (Foto 37) und bringen Sie eine Markierung an, wie (Foto 38) zeigt. Messen Sie 2 cm Abstand von der Treppe und 1 cm von den Markierungen der Verkleidung ab. (Foto 39). Das ist die Stelle für die obere Bohrung für den Haken und sollte wie auf (Foto 38) aussehen.

-Suchen Sie den Haken und halten Sie ihn wie auf (Foto 40). Verfahren Sie ebenso bei der Befestigung der Handläufe (Foto 39).

IT POSIZIONAMENTO DELLA SCALETTA ESTERNA

-Estrarre la scaletta dall'imballaggio prestando molta attenzione. Estrarre 8 viti (3.5 x 25 mm) e due ganci dalla scatola: KITENV...

- Posizionare la scaletta contro la parete della piscina (foto 37) e fare un segno come indicato nella foto 38. Misurare 2 cm di distanza con la scaletta e 1 cm dai segni sul pannello. (foto 39). Il punto contrassegnato rappresenta il luogo dove effettuare il foro superiore dell'aggancio. Deve risultare come nella (foto 38).

-Posizionare il gancio come nella (foto 40). Attenersi alla medesima procedura per fissarlo ai corrimano (foto 39).

NL PLAATSEN VAN DE BUITENTRAP

-Haal de trap heel voorzichtig uit de doos. Neem 8 schroeven (3.5 x 25 mm) en twee haken uit doos: KITENV...

-Plaats de trap tegen de wand van het zwembad (foto 37) en teken het af zoals aangegeven op (foto 38). Meet 2 cm afstand vanaf de trap en 1 cm vanaf de markeringen op het paneel. (foto 39). Dit is de plek waar het bovenste gat voor de haak moet worden gemaakt. Het moet eruit zien als op (foto 38).

-Neem de haak en houdt hem op zijn plek zoals op (foto 40). Volg dezelfde procedure om ze aan de leuning vast te zetten (foto 39).

PT COLOCAÇÃO DA ESCADA EXTERIOR

- Retire a escada da caixa com muito cuidado. Busque 8 parafusos (3,5 x 25 mm) e dois ganchos da caixa: KITENV...

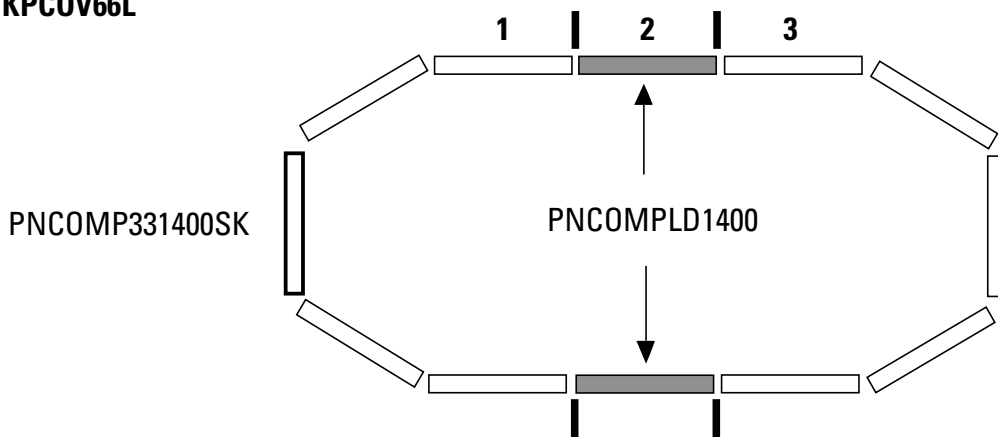
- Coloque a escada contra a parede da piscina (fotografia 37) e realize uma marca como indicado na (fotografia 38). Meça 2 cm de distância com a escada e 1 cm das marcas do painel (fotografia 39). Esse será o lugar para realizar o furo superior do engate. Deve ficar como mostrado na (fotografia 38).

- Busque o gancho e coloque-o como mostrado na (fotografia 40). Siga o mesmo procedimento para fixá-lo aos corrimãos (fotografia 39).

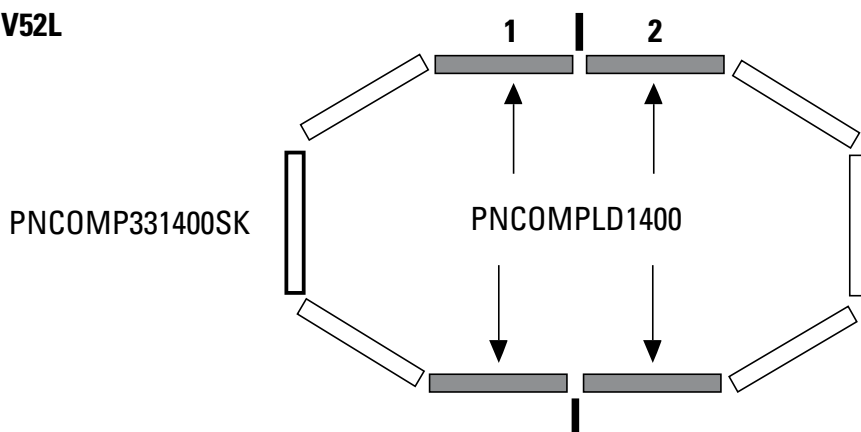
NOTE 1:

- EN** **KPCOV66L:** Your pool consists of 10 standard panels, 1 filtration panel and one led panel. We recommend one of these 4 options at the time of placing the led panel. This way, the light will spread throughout the pool evenly.
KPCOV52L: Your pool consists of 8 standard panels, 1 filtration panel and one led panel. We recommend one of these 4 options at the time of placing the led panel. This way, the light will spread throughout the pool evenly.
- ES** **KPCOV66L:** Su piscina se compone de 10 paneles estandar, 1 panel para la filtración y 1 panel para el Led. Le aconsejamos estas 4 opciones para ubicar el panel con el troquel para el foco LED. De esta manera la luz se repartirá mejor por toda su piscina.
KPCOV52L: Su piscina se compone de 8 paneles estandar, 1 panel para la filtración y 1 panel para el Led. Le aconsejamos estas 4 opciones para ubicar el panel con el troquel para el foco LED. De esta manera la luz se repartirá mejor por toda su piscina.
- FR** **KPCOV66L:** Votre piscine inclut 10 panneaux standard, 1 panneau pour la filtration et 1 panneau pour le DEL. Nous vous conseillons ces 4 options pour placer le panneau avec l'emplacement pour le projecteur LED. De cette façon, la lumière sera mieux distribuée dans votre piscine.
KPCOV52L: Votre piscine inclut 8 panneaux standard, 1 panneau pour la filtration et 1 panneau pour le DEL. Nous vous conseillons ces 4 options pour placer le panneau avec l'emplacement pour le projecteur LED. De cette façon, la lumière sera mieux distribuée dans votre piscine.
- DE** **KPCOV66L:** Ihr Schwimmbecken besteht aus 10 Standardpaneelen, 1 Filterpaneele und 1 LED-Paneele. Wir empfehlen Ihnen diese 4 Optionen, um die LED-Paneele mit einem Stanzwerkzeug anzubringen. So verteilt sich das Licht besser im gesamten Schwimmbecken.
KPCOV52L: Ihr Schwimmbecken besteht aus 8 Standardpaneelen, 1 Filterpaneele und 1 LED-Paneele. Wir empfehlen Ihnen diese 4 Optionen, um die LED-Paneele mit einem Stanzwerkzeug anzubringen. So verteilt sich das Licht besser im gesamten Schwimmbecken.
- IT** **KPCOV66L:** La piscina è composta da 10 pannelli standard, 1 pannello per filtrazione e 1 pannello per il Led. Raccomandiamo queste 4 opzioni per individuare il pannello con la matrice per il faretto LED. In questo modo la luce sarà distribuita meglio in tutta la tua piscina.
KPCOV52L: La piscina è composta da 8 pannelli standard, 1 pannello per filtrazione e 1 pannello per il Led. Raccomandiamo queste 4 opzioni per individuare il pannello con la matrice per il faretto LED. In questo modo la luce sarà distribuita meglio in tutta la tua piscina.
- NL** **KPCOV66L:** Uw zwembad bestaat uit 10 standaard panelen, 1 paneel voor filtering en 1 paneel voor de ledlamp. Wij raden deze 4 opties aan voor het plaatsen van het paneel met de matrijs voor de ledlamp. Op deze manier wordt het licht beter door heel uw zwembad verdeeld.
KPCOV52L: Uw zwembad bestaat uit 8 standaard panelen, 1 paneel voor filtering en 1 paneel voor de ledlamp. Wij raden deze 4 opties aan voor het plaatsen van het paneel met de matrijs voor de ledlamp. Op deze manier wordt het licht beter door heel uw zwembad verdeeld.
- PT** **KPCOV66L:** A sua piscina é composta por 10 painéis standard, 1 painel de filtragem e um 1 painel para LED. Recomendamos estas 4 opções para situar o painel com os recortes para acoplar o foco LED. Desta forma, a distribuição da luz será mais uniforme em toda a piscina.
KPCOV52L: A sua piscina é composta por 8 painéis standard, 1 painel de filtragem e um 1 painel para LED. Recomendamos estas 4 opções para situar o painel com os recortes para acoplar o foco LED. Desta forma, a distribuição da luz será mais uniforme em toda a piscina.

KPCOV66L



KPCOV52L



NOTE 2:

EN INSTALLATION OF THE LED PROJECTOR STRUCTURAL SYSTEM

It is about covering the led projector and the cable as we did for covering the structural system. Locate the piece and put it as shown in picture A.

The structural system is composed of 4 brackets and its respective screws.

ATTENTION! It is very important to place the brackets IN THE STRIPPED AREA of the panel as shown in picture B. If, for the contrary, you try to screw the brackets on the flat surface, you won't be able to screw them properly and the panel may damage.

ES INSTALACIÓN DEL EMBELLECEDOR DEL PROYECTOR LED

Se trata de cubrir el proyector led y el cable, al igual que se realizó para cubrir el sistema estructural. Localice la pieza y póngala como se muestra en la imagen (A).

El embellecedor incluye las 4 escuadras y sus tornillos.

¡ATENCIÓN! Es importante colocar las escuadras EN LA PARTE RAYADA del panel como se puede apreciar en la imagen B. Si por el contrario, se ponen en la zona lisa, no podrán fijarse con facilidad y es probable que se deteriore su panel.

FR INSTALLATION DE LA GARNITURE DU PROJECTEUR DEL

Il s'agit de couvrir le projecteur LED et le câble, comme dans le cas du système structurel. Localisez la pièce et placez-la comme indiqué sur l'image (A).

La garniture comprend les 4 supports et leurs vis.

ATTENTION ! Il est important de placer les supports SUR LA PARTIE RAYÉE du panneau, comme indiqué sur l'image B. Si, au contraire, ils sont placés sur la zone lisse, ils ne pourront pas être facilement fixés et le panneau pourrait être endommagé.

DE ANBRINGUNG DER ZIERKAPPE DES LED-PROJEKTORS

Hierdurch werden Projektor und Kabel abgedeckt, wie Sie es zuvor auch bei der Struktur gemacht haben. Bringen Sie das Teil wie in Abbildung (A) an.

Zur Zierkappe gehören 4 Winkel mit Schrauben.

ACHTUNG! Befestigen Sie die Winkel IM GESTRICHELTEN BEREICH der Paneele, wie in Abbildung B gezeigt. Auf dem glatten Bereich lassen sie sich nicht so einfach befestigen und beschädigen möglicherweise die Paneele.

IT INSTALLAZIONE DELLA COPERTURA DEL PROIETTORE LED

Si tratta di coprire il proiettore a led e il cavo, così come è stato fatto per coprire il sistema strutturale. Individua il pezzo e posizionalo come mostrato nell'immagine (A).

Il rivestimento comprende le 4 staffe e le relative viti.

ATTENZIONE! È importante posizionare le squadre SULLA PARTE RIGATA del pannello come si vede nell'immagine B. Se, al contrario, vengono posti nella zona liscia, non potranno essere fissati facilmente ed è probabile che il pannello si deteriorerà.

NL DE SIERSTRIP VAN DE LED-PROJECTOR INSTALLEREN

De bedoeling is om de led-projector en het snoer te bedekken, net zoals u dat heeft gedaan om de systeemstructuur netjes weg te werken. Zoek het onderdeel en plaats het zoals op de afbeelding (A) is aangegeven.

De sierstrip is inclusief vier montagebeugels met bijbehorende schroeven.

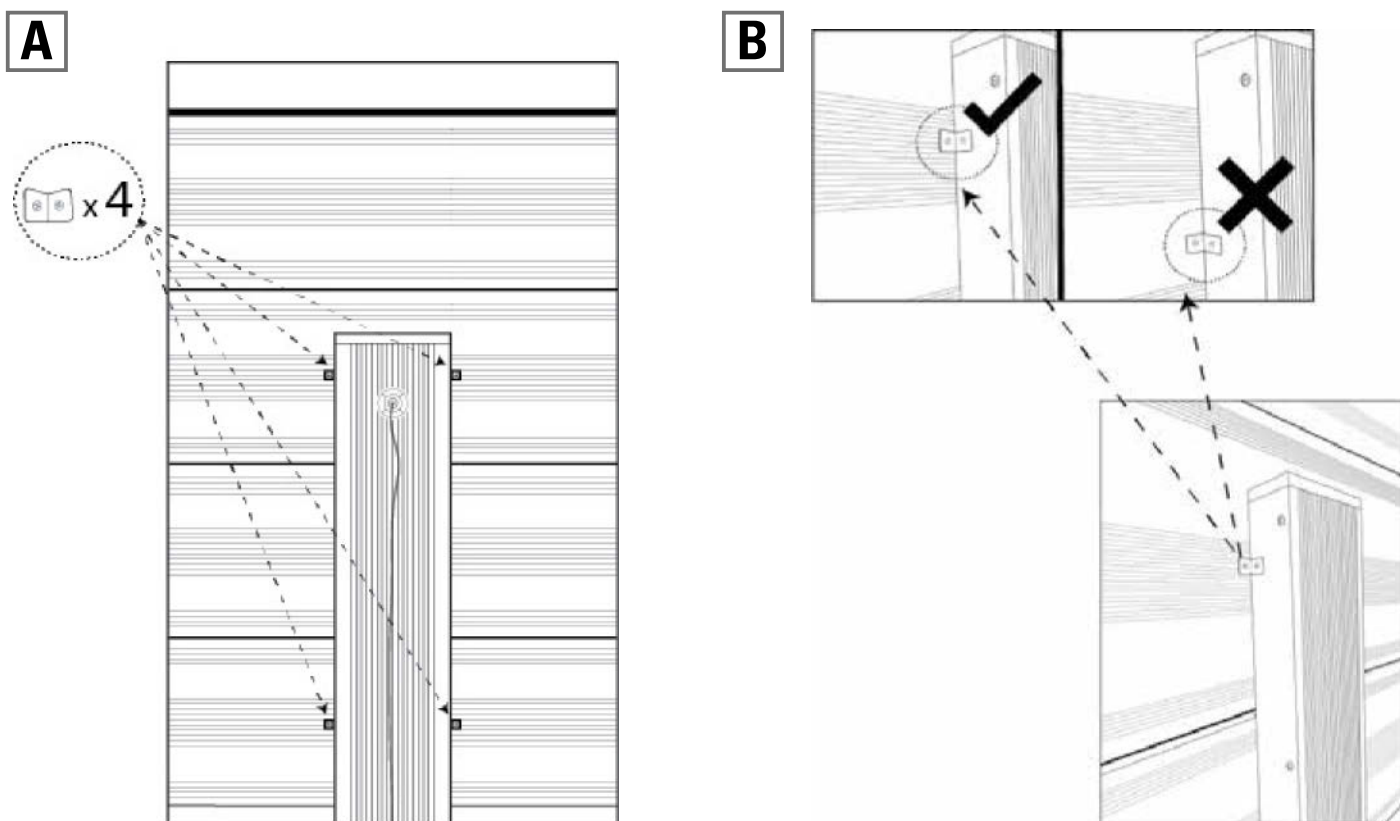
LET OP! Het is belangrijk om de montagebeugels OP HET GESTREEPTE DEEL van het paneel te plaatsen, zoals te zien is op afbeelding B. Als ze daarentegen in het gladde gebied worden geplaatst, kunnen ze niet gemakkelijk worden vastgezet en is het waarschijnlijk dat het paneel kwaliteit zal verliezen.

PT INSTALAÇÃO DA GUARNIÇÃO DO FOCO LED

Trata-se de cobrir o foco LED e o cabo, tal como se fez para cobrir o sistema da estrutura. Localize a peça e posicione-a tal como se indica na Figura (A).


A guarnição inclui as 4 esquadrias e os respetivos parafusos.

ATENÇÃO! É importante colocar as esquadrias NA PARTE RAIADA do painel como se pode apreciar na Figura B. Se, pelo contrário, se colocam na zona lisa, não se poderão fixar facilmente, e é provável que o seu painel se deteriore.




- EN FILTER
- ES FILTRACIÓN
- FR FILTRATION
- DE FILTRATION
- IT FILTRAZIONE
- NL FILTERING
- PT FILTRAÇÃO


EN ASSEMBLY SUGGESTIONS: • The filter should be located at least 3.50 m from the pool.
The following diagrams explain the movement direction of the water. Check the manual that comes with the filter group for the assembly instructions. Note: Fill the filter with 2/3 of clean, calibrated sand: only one calibration is supplied guaranteeing good use of the filter. (1) The colours and connections of the filter can vary according to models. Check the specific manual

 The multi-directional flap determines the flow direction. The marks "PUMP", "RETURN", "WASTE" are engraved on the inlets and outlets of the pump. The installation of all the electrical systems should comply with the NF-C15-100 regulation. Check with the manufacturer for any modification of one or several filter system components. The suction pump should not be situated above the water level, because there is a risk of becoming deactivated.


ES CONSEJOS DE MONTAJE: • La filtración deberá situarse a un mínimo de 3,50 m de la piscina.
Los esquemas a continuación pretenden explicar el sentido de circulación del agua. Consulte el manual incluido con el grupo de filtración para realizar el montaje. Nota: Rellene el filtro con 2/3 de agua limpia y calibrada; solo se suministra un calibre, garantiza el buen funcionamiento de la filtración. (1) Los colores y las conexiones de los sistemas de filtración pueden variar según los modelos. Consulte el manual específico.

 La trampilla multidireccional determina un sentido de circulación. Las marcas «PUMP» «RETURN» «WASTE» están grabadas en las entradas y en las salidas de la trampilla. La instalación de todos los sistemas eléctricos debe cumplir con la norma NF C15-100. Consulte con el fabricante cualquier modificación de uno o de varios componentes del sistema de filtración. La bomba de filtración no se debe situar por encima del nivel del agua porque corre el riesgo de desactivarse.


FR CONSEILS DE MONTAGE : • La filtration devra se situer à 3,50 m minimum de la piscine.
Sur schémas dans le suivant ont pour but d'expliquer le sens de circulation d'eau. Veuillez vous référer à la notice fournie avec le groupe de filtration pour en réaliser l'assemblage. Nota : Remplissez le filtre aux 2/3 avec le sable nettoyé et calibré : un seul calibre est livré, il assure un bon fonctionnement de la filtration. (1) Les coloris et connexions des systèmes de filtration peuvent différer selon les modèles. Se référer à la notice spécifique.

 Votre vanne multi-voies dispose d'un sens de circulation. Des marquages "PUMP" "RETURN" "WASTE" sont gravés aux entrées et sorties de la vanne. L'installation de tout système électrique doit se faire en conformité avec la norme NF C15-100. Demander l'avis du fabricant pour toute modification d'un ou plusieurs composants du système de filtration. La pompe d'aspiration ne doit pas se situer au-dessus du niveau de l'eau car elle risque de se désamorcer.


DE TIPPS FÜR DIE MONTAGE : • Die Filtration muss mindestens 3,50 m vom Pool entfernt platziert werden.
Folgende Zeichnungen sollen die Richtung des Wasserkreislaufs erläutern. Für den Einbau lesen Sie bitte das Handbuch, das dem Filtrationsaggregat beiliegt. Hinweis: Füllen Sie den Filter zu 2/3 mit sauberem und kalibriertem Sand: nur ein Kaliber wird geliefert, es garantiert den ordnungsgemäßen Betrieb der Filtration. (1) Farben und Anschlüsse der Filtrationssysteme können je nach Modell abweichen. Lesen Sie das entsprechende Handbuch.

 Die Mehrrichtungsfalle bestimmt eine Richtung des Kreislaufs. Die Markierungen „PUMP“ „RETURN“ und „WASTE“ sind an den Eingängen und Ausgängen der Klappe eingraviert. Die Installation aller elektrischen Systeme muss die Richtlinie NF C15-100 erfüllen. Erkundigen Sie sich beim Hersteller bei etwaiger Abwandlung eines oder mehrerer Komponenten des Filtrationssystems. Die Ansaugpumpe darf nicht über dem Wasserspiegel platziert werden, da sonst die Gefahr besteht, dass sie deaktiviert wird.


IT CONSIGLI PER IL MONTAGGIO: • Il sistema di filtrazione deve essere posto ad almeno 3,50 m dalla piscina.
Gli schemi riportati di seguito vogliono spiegare il senso di circolazione dell'acqua. Consultare il manuale incluso con il sistema di filtrazione per effettuare il montaggio. Nota: Riempire il filtro con 2/3 di sabbia pulita e calibrata: il buon funzionamento della filtrazione è garantito solo utilizzando un calibre.

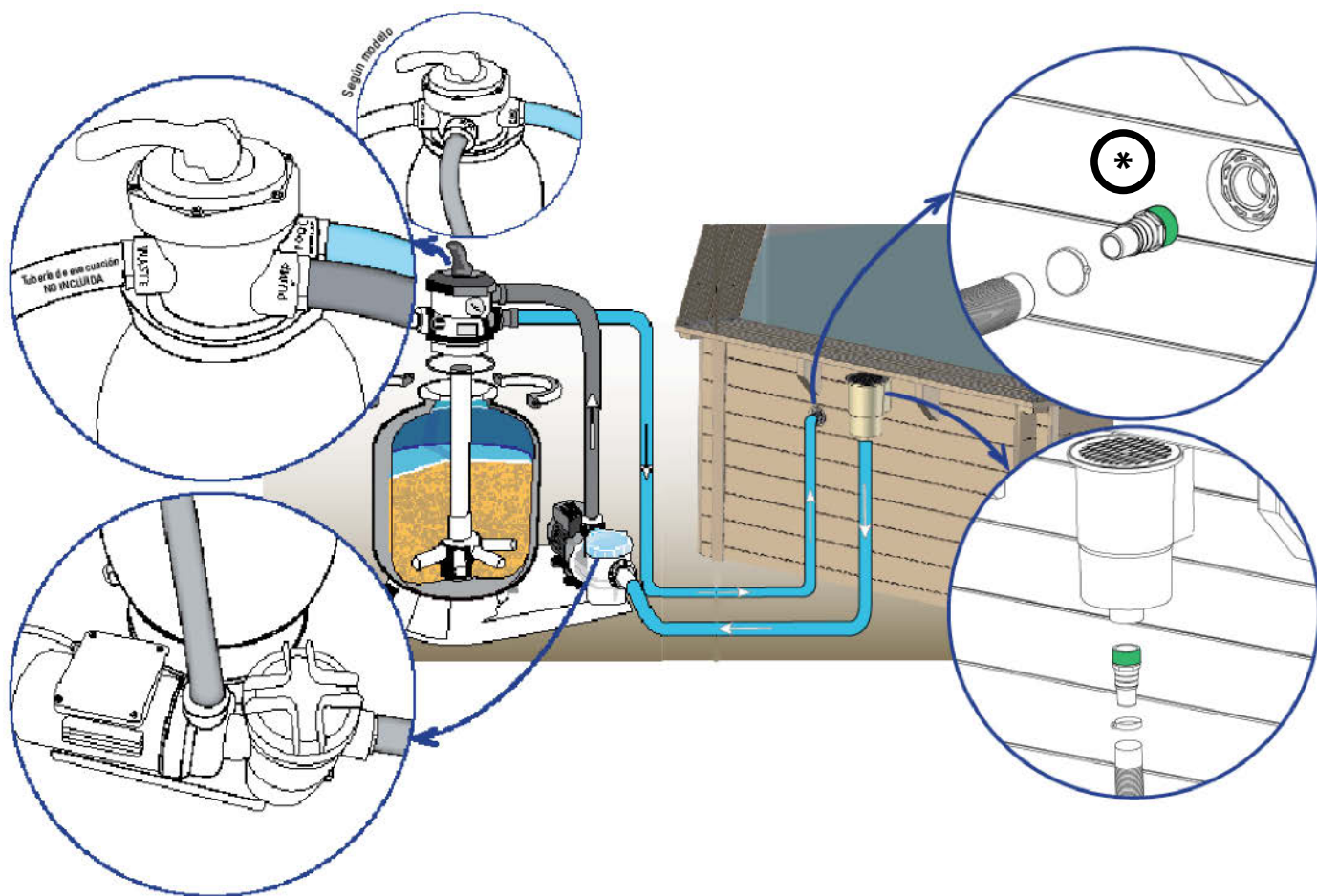
(1) I colori e le connessioni di sistemi di filtrazione possono variare in base ai modelli. Consultare l'apposito manuale.
 Lo sportello multidirezionale determina il senso di circolazione. Le scritte "PUMP" "RETURN" "WASTE" sono impresse negli ingressi e nelle uscite dello sportello. L'installazione di tutti gli impianti elettrici deve soddisfare i criteri NF C15-100. Consultare il produttore per qualsiasi modifica a uno o più componenti del sistema di filtraggio. La pompa di aspirazione deve essere posta sopra il livello dell'acqua per non farla spegnere.

NL MONTAGEAANWIJZINGEN: • De filtergroep moet worden geplaatst op minstens 3,50 m van het zwembad.
De onderstaande schema's zijn bedoeld om de richting van de watercirculatie te tonen. Raadpleeg de handleiding die bij de filtergroep is meegeleverd om de montage uit te voeren. Let op: Vul met filter voor 2/3 met schoon en gekalibreerd zand; gebruik slechts één kaliber, dit garandeert de goede werking van de filtering. (1) De kleuren en de verbindingen van de filtersystemen kunnen per model verschillen. Raadpleeg de bijbehorende handleiding.

 De multidirectionele afsluiter bepaalt een circulatierichting. De markeringen "PUMP" "RETURN" "WASTE" zijn afleesbaar aan de in- en uitgangen van de afsluiter. De installatie van alle elektrische systemen moet worden uitgevoerd overeenkomstig de norm NF C15-100. Neem contact op met de fabrikant voor ieder type aanpassing aan één of meerdere onderdelen van het filtersysteem. De aanzuigpomp mag zich niet boven de waterspiegel bevinden want dan bestaat de kans dat hij zichzelf uitschakelt.

PT CONSELHOS DE MONTAGEM: • A filtração deverá ser situada a um mínimo de 3,50 m da piscina.
Os esquemas abaixo pretendem explicar o sentido de circulação da água. Consulte o manual incluído com o grupo de filtração para realizar a montagem. Nota: Encha o filtro com 2/3 de areia limpa e calibrada; apenas é fornecido um calibre, garante um bom funcionamento da filtração. (1) As cores e as ligações dos sistemas de filtração podem variar segundo os modelos. Consulte o manual específico.

 A válvula multidireccional determina um sentido de circulação. As marcas "PUMP" "RETURN" "WASTE" estão gravadas nas entradas e nas saídas da válvula. A instalação de todos os sistemas elétricos deve cumprir a norma NF C15-100. Consulte com o fabricante qualquer alteração de um ou de vários componentes do sistema de filtração. A bomba de aspirado não deve ser situada por cima do nível da água porque corre o risco de se desativar.



EN All the threaded connections should be assembled with the watertight Teflon tape *, except the connection with O rings. The Teflon should be wound round the thread in a counter clockwise direction.

LAND-FILLING: Finish filling the pool. The water level should be situated between the upper third part and the second half of the skimmer mouth.

ES Todas las conexiones roscadas deben montarse con la cinta estanca de Teflón *, excepto las conexiones con junta tórica. El Teflón debe enrollarse en sentido contrario a la rosca.

TERRAPLENADO: Termine de llenar la piscina. El nivel de agua se situará entre el tercio superior y la mitad de la boca del skimmer.

FR Tous les raccords filetés sont à monter avec le ruban étanche téflon *, excepté les raccords avec joint torique. Le téflon doit être enroulé dans le sens contraire du vissage.

REPLISSAGE : Finissez de remplir la piscine. Le niveau d'eau final se situera entre le tiers supérieur et la moitié de la bouche du skimmer.

DE Alle Schraubverbindungen müssen mit dem bereitgestellten wasserdichten Teflonklebeband montiert *, außer Anschlüsse mit O-förmiger Dichtung. Das Teflon muss in der zur Spirale entgegengesetzten Richtung aufgerollt werden.

ANSCHÜTTUNG: Füllen Sie den Pool ganz auf. Der Wasserspiegel wird sich zwischen dem oberen Drittel und der Hälfte der Öffnung des Skimmers ansiedeln.

IT Tutte le connessioni filettate devono essere montate con il nastro a tenuta stagna di teflon *, tranne le connessioni con guarnizione torica. Il Teflon deve arrotolarsi in senso contrario alla filettatura.

TERRAPIENO: Finire di riempire la piscina. Il livello dell'acqua deve essere tra il terzo superiore e la metà della bocca dello skimmer.

NL Alle schroefverbindingen moeten worden gemonteerd met teflon antilekkage-tape *, behalve de verbindingen met O-ring. De teflontape moet tegen de schroefrichting in om de verbinding worden gerold.

TERREIN EFFENEN: Eindig met het vullen van het zwembad. De waterspiegel moet zich bevinden tussen het bovenste derde deel en het midden van de skimmermond.

PT Todas as uniões roscadas devem ser montadas com a fita estanque de Teflão *, exceto as uniões com junta tórica. O Teflão deve enrolar-se no sentido contrário à rosca.

TERRAPLENAGEM: Termine de encher a piscina. O nível da água deverá estar entre o terço superior e a metade da boca do skimmer.

- EN SAND FILTER
- ES FILTRO DE ARENA
- FR FILTRE À SABLE
- DE SANDFILTER
- IT FILTRO PER LA SABBIA
- NL ZANDFILTER
- PT FILTRO DE AREIA

EN This is the oldest of filtering systems. The filtered water passes through the sand (calibrated silicon) that retains all impurities. This type of filter is equipped with a multi-directional flap that allows easy manipulations and cleaning.

DIFFERENT POSITIONS OF THE MULTI-DIRECTIONAL FLAP (4 OR 6)*: When you perform changes the position of the multi-directional flap that pump should always be stopped, without risking seriously damaging the filter and cancelling the guarantee.

1. FILTERING POSITION (OR FILTER): Usual position of the flap that allows the water coming from the pump to enter through the upper part of the filter and circulate through the same, where all its impurities are trapped. The water is collected in the mesh at the bottom and returned to the pool. The pressure gauge situated at the upper part of the filter allows controlling the pressure. In the case that the pressure increase 0.2 bar regarding the starting pressure, you will need to clean the filter.

ES Es el más antiguo de los sistemas de filtración. El agua filtrada pasa a través de la arena (silicio calibrado) que retiene todas las impurezas. Este tipo de filtro está equipado con una trampilla multidireccional que permite las manipulaciones y las limpiezas con facilidad.

DIFERENTES POSICIONES DE LA TRAMPILLA MULTIDIRECCIONAL (4 O 6)*: Cuando se realicen cambios en la posición de la trampilla multidireccional la bomba debe estar siempre detenida, sin que se corra el riesgo de dañar gravemente el filtro y se anule la garantía.

1. POSICIÓN FILTRACIÓN (O FILTER): Posición habitual de la trampilla que permite que el agua procedente de la bomba entre por la parte superior del filtro y circule a través de la arena, donde se recogen todas sus impurezas. El agua se recoge en la rejilla del fondo y se devuelve a la piscina. El manómetro situado en la parte superior del filtro le permite controlar la presión. En caso de que aumente 0,2 bares respecto a la presión de puesta en servicio, será necesario limpiar el filtro.

FR C'est le plus ancien des systèmes de filtration. L'eau filtrée passe à travers du sable (silice calibrée) qui retient toutes les impuretés. Ce type de filtre est équipé d'une vanne multivoies qui permet des manipulations et nettoyages très aisés.

LES DIFFERENTES POSITIONS DE LA VANNE MULTIVOIES (4 OU 6)* : Lors des changements de position de la vanne multivoies, la pompe doit toujours être à l'arrêt, sans quoi le filtre risque d'être gravement endommagé et sa garantie annulée.

1. POSITION FILTRATION (OU FILTER) : Position habituelle de la vanne qui permet à l'eau venant de la pompe de rentrer par le haut du filtre et de circuler à travers le sable où elle est débarrassée de ses impuretés. L'eau est récupérée par la crépine de fond et refoulée vers la piscine. Un manomètre situé sur la partie haute du filtre vous permet de contrôler la pression. Dès que celle-ci augmentera de 0,2 bars par rapport à la pression de mise en service, il faudra faire un nettoyage du filtre.

DE Es ist das älteste der Filtrationssysteme. Das gefilterte Wasser fließt durch den Sand (kalibriertes Silikon), der alle Verunreinigungen zurückhält. Diese Art von Filter ist mit einer Mehrrichtungsklappe ausgestattet, die einen leichten Umgang und eine einfache Reinigung ermöglicht.

VERSCHIEDENE POSITIONEN DER MEHRRICHTUNGSKLAPPE (4 ODER 6)*: Wenn Veränderungen an der Position der Mehrrichtungsklappe vorgenommen werden, muss die Pumpe stets angehalten werden, ohne dass die Gefahr besteht, dass der Filter ernsthaft beschädigt wird und die Garantie erlischt.

1. POSITION FILTRATION (ODER FILTER): Übliche Position der Klappe, die ermöglicht, dass das aus der Pumpe kommende Wasser durch den oberen Teil des Filters eintritt und durch den Sand fließt, in dem alle Verunreinigungen aufgefangen werden. Das Wasser wird in dem Siebkorb am Boden gesammelt und in den Pool zurückgeführt. Mit Hilfe des Druckanzeigers im oberen Teil des Filters lässt sich der Druck kontrollieren. Sollte er im Vergleich zum Druck bei Inbetriebnahme um 0,2 bar ansteigen, muss der Filter gereinigt werden.

IT Il più vecchio sistema di filtrazione. L'acqua filtrata passa attraverso la sabbia (siliceo calibrato) che trattiene tutte le impurità. Questo tipo di filtro è dotato di sportello multidirezionale che permette le manipolazione e la pulizia con facilità.

DIVERSE POSIZIONI DELLO SPORTELLO MULTIDIREZIONALE (4 O 6)*: Quando si effettuato cambiamenti nella posizione dello sportello multidirezionale la pompa deve essere sempre essere fermata, altrimenti c'è il rischio di danneggiare gravemente il filtro e annullare la garanzia.

1. POSIZIONE FILTRAZIONE (O FILTER): Posizione abituale dello sportello che permette all'acqua proveniente dalla pompa entri dalla parte superiore del filtro e circoli attraverso la sabbia, dove si raccolgono tutte le impurità. L'acqua si raccoglie nella griglia del fondo e ritorna nella piscina. Il manometro collocato nella parte superiore del filtro permette di controllare la pressione. In caso che aumenti di 0,2 bar rispetto alla pressione di messa in servizio, sarà necessario pulire il filtro.

NL Dit is het oudste van alle filtersystemen. Het te filteren water passeert door zand (gekalibreerd silicium) dat alle onzuiverheden vasthoudt. Dit type filter is voorzien van een multidirectionele afsluiter waardoor de bediening en het schoonmaken eenvoudig zijn uit te voeren.

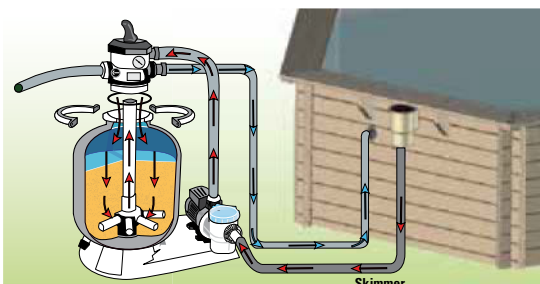
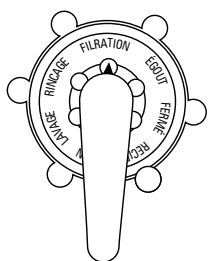
VERSCHILLENDE STANDEN VAN DE MULTIDIRECTIONELE AFSLUITER (4 OF 6)*: Wanneer er veranderingen worden aangebracht in de stand van de multidirectionele afsluiter, moet de pomp altijd zijn uitgeschakeld, zonder het risico te lopen dat het filter ernstige schade oploopt en de garantie vervalt.

1. STAND FILTERING (OF FILTER): Normale stand van de afsluiter die er voor zorgt dat het water dat uit de pomp komt via het bovenste deel van het filter binnenkomt en circuleert door het zand, waar alle onzuiverheden worden opgevangen. Het water wordt opgevangen in het rooster op de bodem en gaat terug naar het zwembad. De manometer die in het bovenste deel van het filter zit, stelt u in staat de druk te regelen. In het geval de druk met 0,2 bar toeneemt ten opzichte van de druk bij het in werking zetten, is het nodig om het filter schoon te maken.

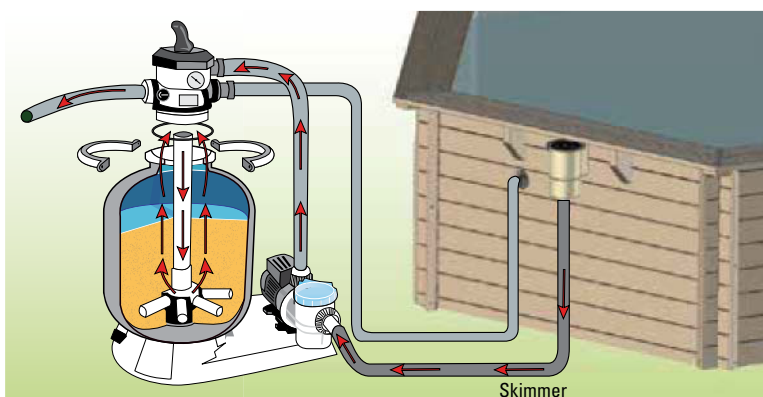
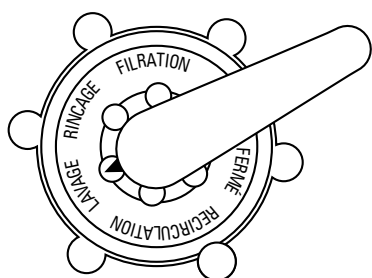
PT É o mais antigo dos sistemas de filtração. A água filtrada passa através da areia (sílica calibrada) que retém todas as impurezas. Este tipo de filtro está equipado com uma válvula multidireccional que permite realizar facilmente o manuseio e a limpeza.

DIFERENTES POSIÇÕES DA VÁLVULA MULTIDIRECCIONAL (4 ou 6)*: Quando forem realizadas alterações na posição da válvula multidireccional, a bomba deverá estar sempre detida, sem que se corra o risco de danificar gravemente o filtro e de que a garantia seja anulada.

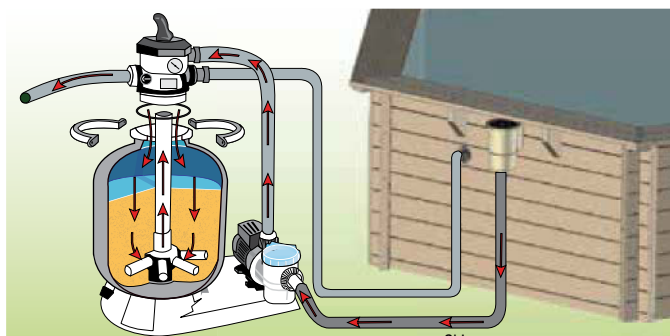
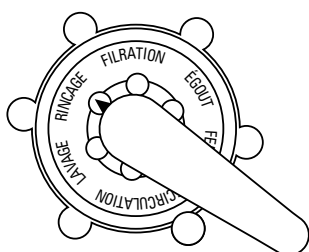
1. POSIÇÃO FILTRAÇÃO (OU FILTER): Posição habitual da válvula que permite que a água procedente da bomba entre pela parte superior do filtro e circule através da areia, onde todas as suas impurezas são recolhidas. A água é recolhida na grelha do fundo e restituída à piscina. O manómetro localizado na parte superior do filtro permite controlar a pressão. No caso de a pressão aumentar 0,2 bares relativamente à pressão de colocação em serviço, será necessário limpar o filtro.



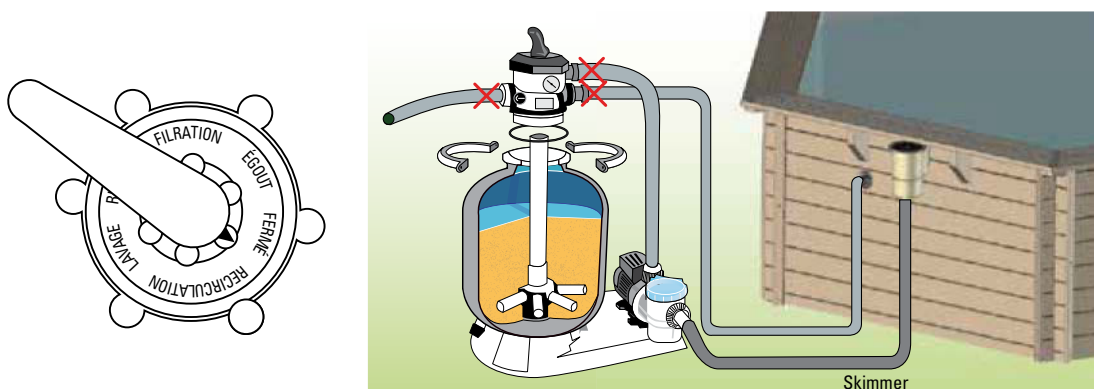
- EN 2. WASHING POSITION (OR BACKWASH):** Sand washing position. Allow the water to circulate in reverse direction in the filter. The water enters through the lower part of the filter elevates the filtering mass and therefore collects all its impurities and because they are lighter than sand, they are evacuated through the upper part of the filter towards the drain. This operation should last between 2 and 3 minutes.
- ES 2. POSICIÓN LAVADO (O BACKWASH):** Posición de limpieza de la arena. Permite que el agua circule en sentido inverso en el filtro. El agua entra por la parte inferior del filtro y hace que se levante la masa filtrante y por lo tanto se recojan sus impurezas que, al ser más ligeras que la arena, se evacúan por la parte alta del filtro hacia el desagüe. Esta operación deberá durar entre 2 y 3 minutos.
- FR 2. POSITION LAVAGE (OU BACKWASH):** Position de nettoyage du sable. Elle permet de faire circuler l'eau en sens inverse dans le filtre. L'eau entre par le bas du filtre et vient soulever la masse filtrante et ainsi débarrasser de ses impuretés qui, plus légères que le sable, sont évacuées par le haut du filtre vers l'égoût. Cette opération devra se faire pendant 2 à 3 minutes.
- DE 2. POSITION RÜCKSPÜLEN (ODER BACKWASH):** Position der Reinigung des Sandes. Ermöglicht, dass das Wasser in umgekehrter Richtung in den Filter fließt. Das Wasser tritt durch das untere Teil des Filters ein und sorgt dafür, dass die Filtermasse steigt und folglich seine Verunreinigungen gesammelt werden, die durch das obere Teil des Filters Richtung Abfluss entsorgt werden, da sie leichter sind als der Sand. Dieser Vorgang muss 2 bis 3 Minuten dauern.
- IT 2. POSIZIONE LAVAGGIO (O BACKWASH):** Posizione di pulizia della sabbia. Permette che l'acqua circoli nel senso contrario nel filtro. L'acqua entra nella parte inferiore del filtro e fa sollevare la massa filtrante e quindi le impurità si raccolgono, essendo più leggere della sabbia, ed escono dalla parte alta del filtro fino allo scarico. Questa operazione ha una durata di 2-3 minuti.
- NL 2. STAND WASSEN (OF BACKWASH):** Stand voor schoonmaken van het zand. Zorgt ervoor dat het water in omgekeerde richting door het filter circuleert. Het water komt binnen via de onderkant van het filter en dit zorgt ervoor dat de gefilterde vuil omhoog komt waardoor de onzuiverheden die veel lichter zijn dan het zand worden verzameld en via het bovenste deel kunnen worden afgevoerd naar de waterafvoer. Deze handeling zou tussen de 2 en 3 minuten moeten duren.
- PT 2. POSIÇÃO LAVAGEM (OU BACKWASH):** Posição de limpeza da areia. Permite que a água circule em sentido inverso no filtro. A água entra pela parte inferior do filtro e faz com que a massa filtrante se levante e, portanto, com que sejam recolhidas as suas impurezas, que, sendo mais leves do que a areia, são evacuadas pela parte alta do filtro para o esgoto. Esta operação deverá durar entre 2 e 3 minutos.



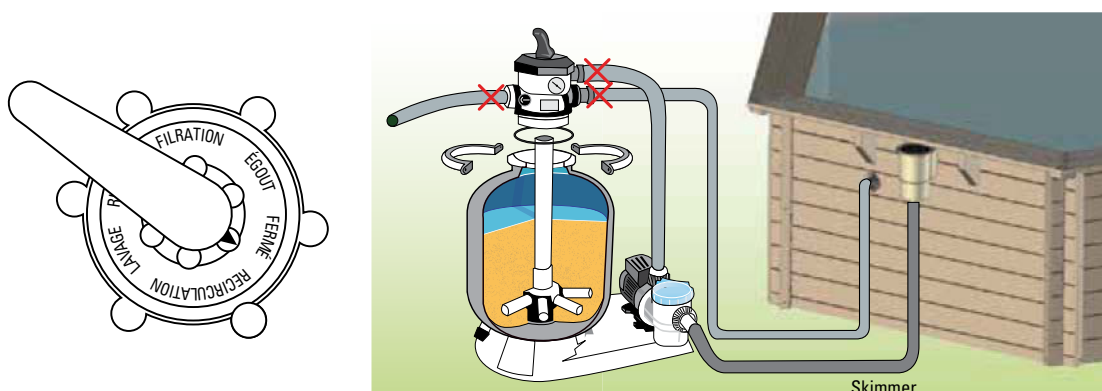
- EN 3. RINSE POSITION / DRAINING OF THE FILTER** (OR RINSE):** Operation that follows washing the filter. When you have cleaned the filter, you should rinse and re-compress the filtering mass. In this position the water circulates through the filter as in the filtering position but is evacuated through the drain at the filter outlet. This operation should be performed between 20 and 30 seconds.
- ES 3. POSICIÓN ACLARADO / DESAGÜE DEL FILTRO** (O RINSE):** Operación que sigue al lavado del filtro. Cuando se ha limpiado el filtro, es imprescindible aclarar y volver a apretar la masa filtrante. En esta posición el agua circula por el filtro como durante la filtración pero se evacua por el desagüe en la salida del filtro. Esta operación se debe efectuar entre 20 y 30 segundos.
- FR 3. POSITION RINÇAGE / FILTRE ÉGOUT** (OU RINSE):** Opération qui suit le lavage du filtre. Lorsque le filtre a été nettoyé, il est indispensable de rincer et de retasser la masse filtrante. Dans cette position, l'eau chemine dans le filtre comme en filtration mais est évacuée à l'égoût en sortie du filtre. Cette opération devra se faire pendant 20 à 30 secondes.
- DE 3. POSITION AUSSPÜLEN / DRAINAGE DES FILTERS** (ODER RINSE):** Vorgang, der auf die Reinigung des Filters folgt. Wenn der Filter gesäubert worden ist, muss er ausgespült und die Filtermasse erneut festgedrückt werden. In dieser Position fließt das Wasser durch den Filter wie während der Filtration, doch am Filterausgang wird es durch den Abfluss abtransportiert. Dieser Vorgang muss 20 bis 30 Sekunden durchgeführt werden.
- IT 3. POSIZIONE CHIARIFICAZIONE/SCARICO DEL FILTRO** (O RINSE):** Operazione che segue il lavaggio del filtro. Dopo aver pulito il filtro, è necessario chiarificare e comprimere la massa filtrante. In questa posizione l'acqua circola per il filtro come durante la filtrazione però esce tramite lo scarico all'uscita del filtro. Questa operazione ha una durata di 20-30 secondi.
- NL 3. STAND TERUGSPOELEN / AFVOEREN VAN HET FILTER** (OF RINSE):** Handeling die volgt op het wassen van het filter. Wanneer het filter is gewassen, is het van het grootste belang dat het gefilterde vuil wordt nagewassen en het filtervuil wordt verzameld. In deze stand circuleert het water door het filter zoals tijdens het filteren maar gaat naar buiten via de afvoer in de uitlaat van het filter. Deze handeling moet tussen de 20 en 30 seconden worden uitgevoerd.
- PT 3. POSIÇÃO ENXAGUADELA / ESCOAMENTO DO FILTRO ** (OU RINSE):** Operação que se segue à lavagem do filtro. Quando o filtro já foi limpo, é imprescindível enxaguar e apertar novamente a massa filtrante. Nesta posição, a água circula pelo filtro como durante a filtração, mas evacua-se pelo esgoto na saída do filtro. Esta operação deve ser efetuada entre 20 e 30 segundos.



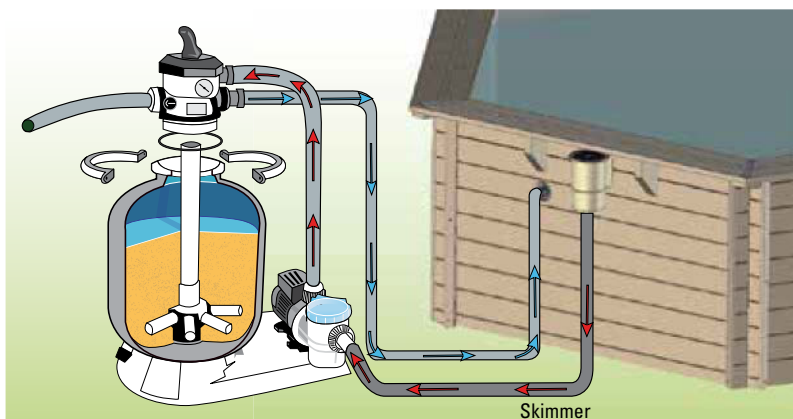
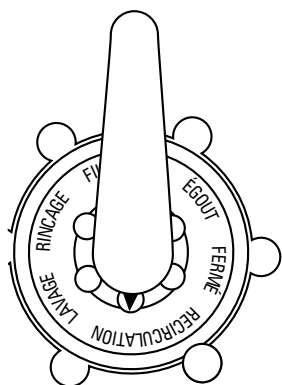
- EN 4. EMPTYING POSITION / DRAIN (OR WASTE):** Position to evacuate the water of for emptying the pool. In this case, the water does not pass through the filter, it goes directly to the drain.
- ES 4. POSICIÓN VACIADO / DESAGÜE (O WASTE):** Posición para evacuar el agua o para vaciar el vaso. En este caso, el agua no pasa por el filtro, sale directamente por el desagüe.
- FR 4. POSITION VIDANGE / ÉGOUT (OU WASTE):** Position pour évacuer l'eau ou vidanger le bassin. Dans ce cas, l'eau ne passe pas par le filtre, elle est évacuée directement à l'égout.
- DE 4. POSITION LEEREN / ABFLUSS (ODER WASTE):** Position, in der das Wasser abgelassen oder das Becken entleert wird. In diesem Fall fließt das Wasser nicht durch den Filter, sondern direkt durch den Abfluss.
- IT 4. POSIZIONE SVUOTAMENTO / SCARICO (O WASTE):** Posizione per far uscire l'acqua o per svuotare la vasca. In questo caso, l'acqua non passa per il filtro, esce direttamente dallo scarico.
- NL 4. STAND LOZEN / WATERAFVOER (OF WASTE):** Stand voor de afvoer van water of om het bassin leeg te laten lopen. In dit geval passeert het water niet door het filter, maar gaat meteen naar de waterafvoer.
- PT 4. POSIÇÃO ESVAZIAMENTO / ESCOAMENTO (OU WASTE):** Posição para evacuar a água ou para esvaziar o tanque. Nesse caso, a água não passa pelo filtro, sai diretamente pelo esgoto.



- EN 5. CLOSED POSITION (OR CLOSED):** This position does not allow the water to pass and is used to put the pool into complete wintering when the filtering stops.
- ES 5. POSICIÓN CERRADA (O CLOSED):** Esta posición no permite que el agua pase y se utiliza para poner la piscina en invierno completo cuando se detiene la filtración.
- FR 5. POSITION FERMÉE (OU CLOSED):** Cette position ne permet aucun passage d'eau et est utilisée pour mettre la piscine en hivernage complet lorsque l'on arrête la filtration.
- DE 5. POSITION GESCHLOSSEN (ODER CLOSED):** Diese Position verhindert, dass Wasser durchfließt, und wird für die komplette Überwinterung des Pools verwendet, wenn die Filtration gestoppt wird.
- IT 5. POSIZIONE CHUSA (O CLOSED):** Questa posizione non permette all'acqua di passare e si utilizza per mettere la piscina in inverno completo quando si ferma la filtrazione.
- NL 5. STAND GESLOTEN (OF CLOSED):** Deze stand voorkomt dat het water passeert; deze stand wordt gebruikt om het zwembad totaal winterklaar te maken wanneer de filtering wordt gestopt.
- PT 5. POSIÇÃO FECHADA (OU CLOSED):** Esta posição não permite que a água passe e é utilizada para colocar a piscina em hibernação completa quando a filtração é detida.



- EN 6. RECIRCULATION POSITION / CIRCULATION**:** Position used so the water circulates through the hydraulic network without passing through the filter. This possibility is used to move the water if you want to add a product to the pool or if you should perform any operation in the filter, because in this case the filter is isolated and the water coming from the pump is directly expelled.
* Some models are delivered with 4-way flap (available options: Filtering, Washing, Emptying/drain Closed or wintering).
** These positions refer exclusively to the 6-way flap.
- ES 6. POSICIÓN RECIRCULACIÓN / CIRCULACIÓN**:** Posición empleada para que el agua circule por la red hidráulica sin pasar por el filtro. Esta posibilidad se emplea para revolver el agua si debe añadirse un producto en la piscina o si se debe efectuar alguna operación en el filtro, dado que en este caso el filtro está aislado y el agua procedente de la bomba se expulsa directamente.
* Algunos modelos se entregan con una trampilla de 4 vías (opciones disponibles: Filtración, Lavado, Vaciado/desagüe Cerrado o invierno).
** Estas posiciones se refieren exclusivamente a la trampilla de 6 vías.
- FR 6. POSITION RECIRCULATION / CIRCULATION **:** Position utilisée pour que l'eau circule dans le réseau hydraulique sans passer par le filtre. Cette possibilité est utilisée pour brasser l'eau si un produit doit être introduit dans la piscine ou lorsqu'une intervention sur le filtre est à réaliser, car ici le filtre est isolé et l'eau venant par la pompe est rejetée directement.
* Certains modèles sont livrés avec une vanne 4 voies (positions disponibles : Filtration, Lavage, Vidange/égout, Fermée ou hivernage)
** Cette position concerne exclusivement la vanne 6 voies.
- DE 6. POSITION UMWÄLZEN / UMLAUF**:** Diese Position wird eingesetzt, damit das Wasser durch das Wassersystem fließt, ohne den Filter zu passieren. Diese Option wird verwendet, um das Wasser durchzumischen, wenn dem Pool ein Produkt zugegeben werden muss oder wenn am Filter ein Vorgang durchgeführt werden muss, denn in diesem Fall ist der Filter isoliert und das Wasser, das von der Pumpe kommt, wird direkt ausgestoßen.
* Einige Modelle werden mit einer 4-Wege-Klappe geliefert (verfügbare Optionen: Filtration, Reinigung, Entleeren/Abfluss Geschlossen oder Überwinterung).
** Diese Positionen gelten ausschließlich für die 6-Wege-Klappen.
- IT 6. POSIZIONE RICIRCOLO/CIRCOLO**:** Posizione utilizzata affinché l'acqua circoli nella rete idraulica senza passare per il filtro. Questa opzione si utilizza per mescolare l'acqua se si deve aggiungere un prodotto nella piscina o se si deve effettuare qualche operazione nel filtro, dato che in questo caso il filtro è isolato e l'acqua che arriva dalla pompa viene direttamente espulsa.
* Alcuni modelli sono consegnati con uno sportello a 4 vie (opzioni disponibili: Filtrazione, Lavaggio, Svuotamento/Scarico Chiusa o invernaggio).
** Queste posizioni si riferiscono unicamente allo sportello a 6 vie.
- NL 6. STAND RECIRCULATIE / CIRCULATIE**:** Stand die wordt gebruikt opdat het water door het waternetwerk circuleert zonder door het filter te passeren. Deze mogelijkheid wordt toegepast om het water terug te laten stromen wanneer er een product aan moet worden toegevoegd aan het zwembadwater of wanneer u een handeling aan het filter moet uitvoeren, want in dit geval is het filter geïsoleerd en het water dat via de pomp loopt wordt meteen weer in het zwembad geloosd.
* Enkele modellen worden geleverd met een 4-weg-afsluiter (beschikbare opties: Filtering, Wassen, Legen/Lozen, Sluiten of Winterklaar maken).
** Deze standen verwijzen enkel naar de 6-wegs-afsluiter.
- PT 6. POSIÇÃO RECIRCULAÇÃO / CIRCULAÇÃO **:** Posição utilizada para que a água circule pela rede hidráulica sem passar pelo filtro. Esta possibilidade é utilizada para remexer a água se um produto deve ser adicionado na piscina ou se alguma operação deve ser efetuada no filtro, dado que nesse caso o filtro está isolado e a água procedente da bomba é expulsa diretamente.
* Alguns modelos são fornecidos com uma válvula de 4 vias (opções disponíveis: Filtração, Lavagem, Esvaziamento/Escoamento Fechado ou Hibernação).
** Estas posições dizem respeito exclusivamente à válvula de 6 vias.

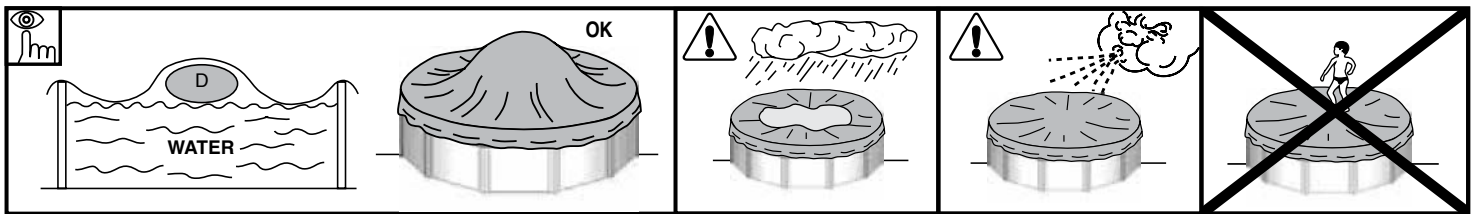


- ⚠ You should never manoeuvre the multi-directional flap when the pump is working.
- ⚠ Nunca se debe manejar la trampilla multidireccional cuando la bomba está en funcionamiento.
- ⚠ La vanne multivoies ne devra jamais être manoeuvrée lorsque la pompe est en marche.
- ⚠ Die mehrrichtungsklappe darf nie bedient werden, wenn die Pumpe läuft.
- ⚠ Non si deve mai maneggiare lo sportello multidirezionale mentre la pompa è in funzione.
- ⚠ De multidirectionele afsluiter mag nooit worden bediend wanneer de pomp in werking is.
- ⚠ A válvula multidireccional nunca deve ser manuseada quando a bomba está em funcionamento.



5

- EN MAINTENANCE AND USE
- ES MANTENIMIENTO Y USO
- FR ENTRETIEN ET UTILISATION
- DE WARTUNG UND GEBRAUCH
- IT MANUTENZIONE E USO
- NL ONDERHOUD EN GEBRAUCH
- PT MANUTENÇÃO E UTILIZAÇÃO



**RESPECT THE ENVIRONMENT
DO NOT TAKE APART THE POOL UNLESS IT IS STRICTLY NECESSARY. IF YOU DO SO, PLEASE REUSE THE WATER.
WATER IS A SCARCE GOOD.**

When your pool reaches the end of its useful life, it should be disassembled; the different materials (plastic and steel) should be separated and taken to the disposal point indicated by local authorities.

MAINTENANCE AND USE:

- Switch on the filter system once a day in to insure a complete water volume renewal and **never** do it when somebody is in the pool (see filter manual).
- Check the filter level of clogging regularly in summer when the pool kit is in use.
- Check screws, nuts and washers (for rust).
- The pool water level has always to be hold in a minimum of 15 cm from the pool superior edge.
- Never empty the pool completely. Low water levels may cause serious damage to the pool.
- Failure to comply with the maintenance instructions may lead to serious health risks, especially for children.
- The use of a swimming costume entails respect for the safety regulations set out in the maintenance and user guide.
- Never leave a pool kit empty on the ground, outdoors.
- Clean regularly the P.V.C liner and the water level mark with non-abrasive products. Regularly clean the fold joining the bottom to the side of the liner, as it is an area where dirt accumulates. If you do by accident a small hole in the liner, you can repair it thanks to our rubber patches AR202 or V12.
- The isothermic covers (for the summer) protect your pool from insects, dust, leaves, and avoid to loose the water temperature. Do always set it in order the bubbles are in contact with the water.

WINTER-SEASON:

A) IF YOU CHOOSE NOT TO DISMOUNT THE POOL:

- 1- Clean the liner bottom and sides with a non-abrasive product.
 - 2- Treat the water with a chemical product for wintering. We recommend using **LIQUID WINTERISER** instead of floats with solid product to avoid discolouring the liner.
 - 3- Leave the pool full of water considering:
 - a) For pools with skimmer and refilling pipe, reduce the water level 5 cm underneath the skimmer and close the refilling pipe with the screw tap which is included with the filter.
 - b) For pools with exhaustion and refilling pipes, reduce the water level 20 cm from the superior edge of the pool and close the pipes using the screw system incorporated.
 - 4- Disconnect the pipes. Do not dismount the skimmer and the refilling and exhaustion pipes.
 - 5- Protect the pool with a winter cover, and put a floating element between the cover and the water, in order to protect it from frost.
 - 6- Filter: disconnect it from the pool. Clean it, empty the sand or remove the cartridge, dry it and keep it in a covered and sheltered from dampness place.
 - 7- Accessories: remove every accessories (ladder, alarm, spotlight, pole), rinse them with soft water and tidy them away.
- TO RUN THE POOL AGAIN: Remove the winter cover, install the filter, change at least 1/3 of water and realize a chlorine treatment. Switch on the filter for at least 8 hours in an uninterrupted way, respecting the continuous working period indicated in the filter manuals.

B) IF YOU CHOOSE TO DISMOUNT THE POOL:

- 1- Empty the pool. Measures: Filter, Automatic pump for handling clean water or communicating vessels system. **Communicating vessels system:** Use the hose from your filter with the smallest cross-section. Fix a weight to one of its end and plunge it into the swimming pool. After this, sink the whole hose, until there is no air inside. With one hand, and under the water stop up hermetically the end of the hose and take it to the emptying point. Remove hand, and water will start running. Do not use this water for watering the plants, because it contains chemical products.
 - 2- Clean every pool constituents with a sponge and a soap product with a neutral pH. Dry them and tidy them away in a dry and clean place.
- That normal that after having installed and dismantled the pool several times, the P.V.C liner dilate and loose its elasticity.
- TO RUN THE POOL AGAIN: Read another time this manual instructions from the beginning.

CHIMICAL MEASURES:

Please read carefully the chemical product manufacturer instructions. **WARNING:** Keep chemical products in a clean, dry and out of children place. **Important:** Every products used have to be compatible with the P.V.C liner.

- **First filling:** Analyse the water pH and chlorine (Cl) and adjust them to the optimal levels: pH: 7,2 ÷ 7,6; Chlorine: 0.5 ÷ 2 ppm.
- **Chlorine treatments:** Consist in increasing the chlorine level until approximatively 20 ppm to eliminate germs and seaweeds. This process has to be done only when the pool water comes from rivers or ponds, or if it stayed a long time without any treatments.
- **Checking:** Check at least once a week the chlorine levels (use a chlorine and pH analyser). In the same way, we advise to add an algicide to prevent seaweeds appearance. Never have a swim before the chlorine level stabilization. Do always use a floating dispenser for the chemical product (tablets) dissolution. The chemical product measuring out has to be done in accordance with: Your pool water volume, the bathe frequency, the climatic conditions, the water temperature and the location. Do always move the water and wait for the chemical product dissolution before adding another one. Wait approximatively 12 hours between any pH, chlorine or algicide adjustment using the filter system.

MECHANICAL MEASURES:

Check the filter, the skimmer, the valves and the pipes are well connected to the pool. Do consider high water temperature will involved more time for the filtering. Theoretic filtering time = Water volume / Filter system discharge (generally 8h/day with water temperature of 21°C), (Ideal: 2h in the morning ÷ 4h around midday ÷ 2h in the afternoon). **PLEASE RESPECT THE CONTINUOUS WORKING PERIOD INDICATED IN THE FILTER MANUALS.**

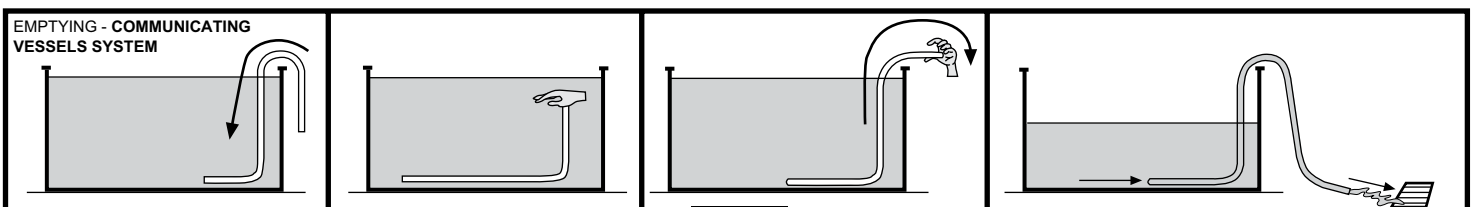
VACUUM CLEANER (MANUAL OR AUTOMATIC):

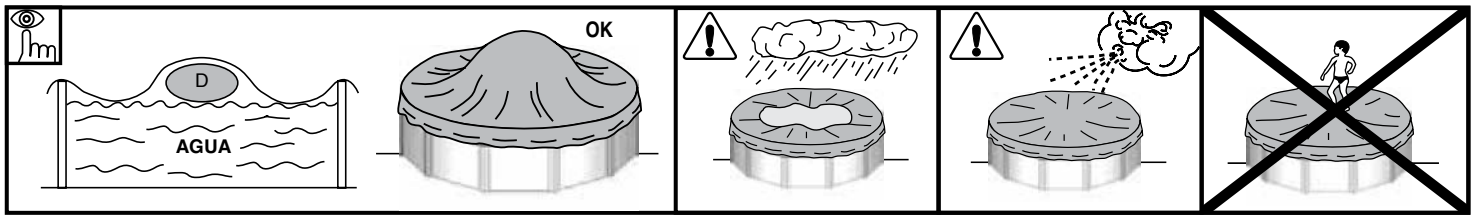
Only for pools with skimmer. Connect an hose extremity to the brush head and immerse it into the water to make it fill in. Connect the other pipe extremity to the exhaustion adapter (TA) and place it above the skimmer basket. Switch on the filter in the FILTER position and begin to clean the bottom. Pay special attention to areas with folds where dirt accumulates.

BOTTOM CLEANER VENTURY STYLE:

Connect a garden hose to the bottom cleaner join and introduce it into the pool. Open the tap until a normal pressure to make the water flow out against the bottom of the pool, producing in that way an ascendand stream which leave the dirt into the filter (bag) which is adjust on the bottom cleaner.

PROBLEM	CAUSE	SOLUTION
Muddy water	Bad filtration. High PH. Organic residues in excess	Realice un contralavado del filtro. A-ada CLARIFICANTE en pastillas en un dosificador. Realice una Cloración de choque.
Green water	Seaweed or mud formation	Cepillar suavemente el fondo y las paredes de la piscina. Analice el PH y ajústelo entre 7,2-7,6. A-ada ALGICIDA y CLARIFICANTE LIQUIDO.
Brown water	Presence of iron or manganese	Analice el PH y ajústelo entre 7,2-7,6. Realice una CLORACION DE CHOQUE. A-ada CLARIFICANTE LIQUIDO.
Incustrations	Presence of Calcareous in the water	Analice el PH y ajústelo entre 7,2-7,6. A-ada una vez por semana ANTICALCAREO.
Eyes and skin irritations. Bad smell.	Misadjusted PH. Organic residues in excess	Analice el PH y ajústelo entre 7,2-7,6. Realice una CLORACION DE CHOQUE.





RESPECTA EL MEDIO AMBIENTE

"NO DESMONTA LA PISCINA SI NO ES ESTRICTAMENTE NECESARIO. EN CASO DE HACERLO, LE ROGAMOS REUTILICE EL AGUA. EL AGUA ES UN BIEN ESCASO".

Cuando su piscina alcance el final de su vida útil, debe ser desmontada, segregar los distintos materiales (plástico y acero) y llevarlos al punto limpio especificado por las autoridades locales

MANTENIMIENTO Y USO:

- Durante la temporada de uso de un kit de piscina ponga a funcionar el sistema de filtración una vez al día para asegurar un renovamiento completo del volumen de agua y siempre cuando no se está utilizando la piscina para el baño (ver manual de la depuradora).
- Durante la temporada de uso de la piscina verificar regularmente el nivel de obstrucción del medio filtrante.
- Revisar toda la tornillería de la piscina, los posibles puntos de corrosión en la medida que sea posible.
- El nivel de agua de la piscina debe mantenerse siempre como mínimo a 15 cm del borde superior de la misma.
- Nunca vacíe totalmente la piscina. Corre el peligro de dañar gravemente la estructura de su piscina si no hay nivel suficiente de agua.
- El hecho de no respetar las consignas de mantenimiento puede ocasionar riesgos graves para la salud, especialmente para los niños.
- La utilización de un kit de piscina implica el respeto de las consignas de seguridad descritos en la guía de mantenimiento y uso.
- No dejar un kit de piscina para colocar sobre el suelo en el exterior vacío.
- Limpie regularmente el Liner P.V.C. y la línea del nivel de agua con productos no abrasivos. Limpiar periódicamente el pliegue de unión del fondo con el lateral del liner ya que es una zona de acumulación de suciedad. Si Ud. por accidente hace un pequeño agujero en el liner, puede repararlo con nuestros parches AR202 - V12.
- Las cubiertas de verano (isotérmicas) protegen su piscina de insectos, polvo, hojas, etc. y evitan la pérdida de temperatura del agua. Colóquelas siempre con las burbujas en contacto con el agua.

INVIERNO:

A) SI OPTAMOS POR NO DESMONTAR LA PISCINA:

- 1- Limpiar el fondo y las paredes del liner con un producto no abrasivo.
- 2- Tratar el agua con producto químico de invierno. Se recomienda el uso de **INVERNADOR LIQUIDO** en lugar de boyas con producto sólido para evitar las decoloraciones del liner
- 3- Dejar la piscina llena de agua, teniendo en cuenta:
 - a) Para piscinas con skimmer y válvula de retorno nivel de agua, 5 cm por debajo del skimmer y cerrar la válvula de retorno con el tapón de rosca que se adjunta con la depuradora.
 - b) Para piscinas con válvulas de admisión y retorno nivel de agua a 20 cm del borde superior de la piscina, cerrando las válvulas mediante el sistema de rosca que incorporan.
- 4- Desconectar las mangueras. No desmontar el skimmer ni las válvulas.
- 5- Proteger la piscina con una cubierta de invierno, colocando un elemento flotante entre ésta y el agua, con el fin de protegerla contra el frío.
- 6- Depuradora: desconectarla de la piscina. Limpiarla, vaciar la arena o sacar el cartucho, secarla y guardarla en un lugar cubierto y sin humedad.
- 7- Accesorios: quitar todos los accesorios (escalera, alarma, foco, pizarra,...), limpiarlos con agua dulce y guardarlos.

NUEVA PUESTA EN MARCHA: Quitar la cubierta de invierno, instalar la depuradora, cambiar al menos 1/3 del agua y realizar una Cloración Choque. Poner la depuradora en funcionamiento al menos durante 8 horas ininterrumpidamente.

B) SI OPTAMOS POR DESMONTAR LA PISCINA:

- 1- Vaciar la piscina. Medios Depuradora, Bomba de Achique o Principio de vasos comunicantes. **Utilizar el principio de los vasos comunicantes:** para ello tome la manguera de la depuradora con menor diámetro. Ate un peso a uno de sus extremos y sumérjalo en la piscina. A continuación sumerja la totalidad de la manguera hasta evacuar el aire de su interior. Con la palma de la mano tapone herméticamente bajo el agua el extremo libre de la manguera y llévelo hasta donde desee desaguar la piscina. Retire la mano y el agua comenzará a fluir. No utilice ésta agua para riego, ya que contendrá producto químico.
- 2- Limpiar todos los componentes de la piscina con una esponja y un producto jabonoso con pH neutro. Secarlos y guardarlos en un lugar seco y limpio. Es normal que después de varios montajes y desmontajes el liner de PVC se dilate y pierda elasticidad.

NUEVA PUESTA EN MARCHA: Leer de nuevo las Instrucciones de este manual desde el principio.

MEDIOS QUÍMICOS:

Lea con atención las instrucciones del fabricante del producto químico. **ATENCIÓN:** Guarde los productos químicos en un lugar limpio, seco y fuera del alcance de los niños. **Importante:** Todos los productos utilizados deben ser compatibles con el liner de P.V.C.

- **Primer llenado:** Analizar el pH y Cloro (Cl) del agua y ajustarlos a los niveles óptimos: pH: 7,2 - 7,6 ; Cloro: 0,5 - 2 ppm.
- **Cloración choque:** Consiste en aumentar el nivel de cloro hasta 20 ppm aprox. para eliminar las bacterias y algas. Se realiza cuando el agua de la piscina provenga de ríos, estanques,... o lleve mucho tiempo sin tratamiento.
- **Controles:** Revisar, al menos una vez a la semana, los niveles de pH y Cloro. (Utilice un analizador de Cloro y pH). Asimismo, deberá añadir Algicida para prevenir la formación de algas. Nunca bañarse hasta que se establezca el nivel de cloro. Utilizar siempre un Dosificador flotante para la disolución del producto químico (pastillas). La dosificación de los productos químicos se hace en función: El volumen de agua de su piscina, la frecuencia del baño, las condiciones climáticas, temperatura del agua y ubicación. Siempre remover el agua y esperar a la disolución de un producto químico antes de añadir otro. Espere más o menos 12 h. entre cada ajuste de pH, de Cloro, o de antialgas haciendo funcionar el sistema de filtración

MEDIOS MECÁNICOS:

Comprobar que la depuradora, skimmer, válvulas y mangueras estén correctamente conectadas a la piscina. Tenga en cuenta que a mayor temperatura del agua necesitará más tiempo de filtración. **Tiempo filtración:** Volumen de agua / Caudal del sistema de filtración (generalmente 8 h/día con la temperatura del agua a 21°C) (Ideal: 2 h. por la mañana - 4 h. a medio día - 2 h. por la tarde). **Respete los periodos en continuo indicados en los manuales de las depuradoras.**

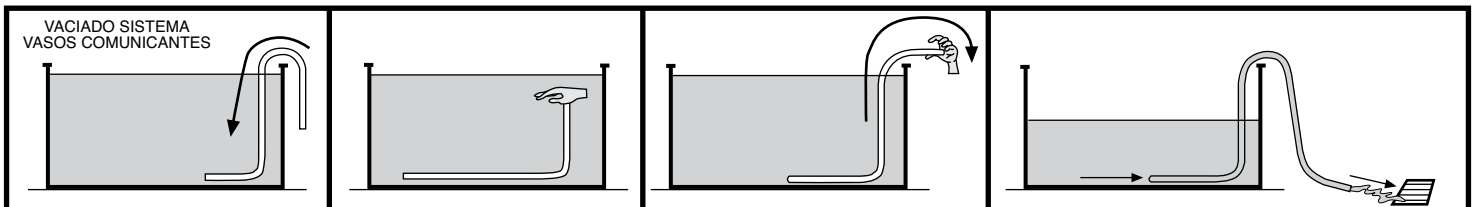
LIMPIA FONDOS POR ASPIRACIÓN (MANUAL O AUTOMÁTICO):

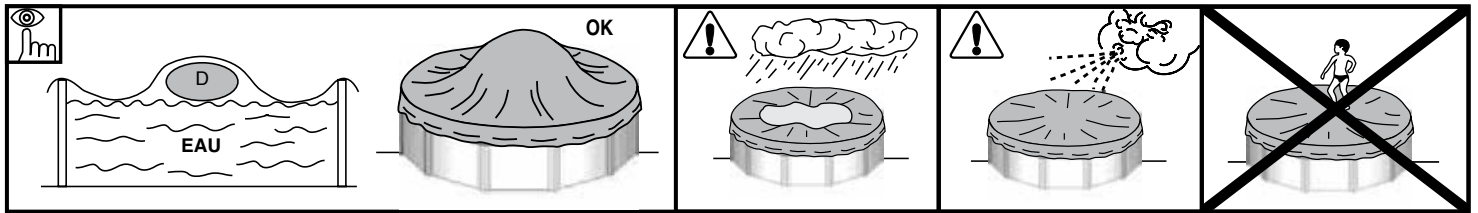
Sólida para piscinas con skimmer. Conectar un extremo de la manguera del limpia fondos a la barredera y sumergirlo en el agua para que se llene la manguera. Conectar el otro extremo de la manguera a la Tapa de Aspiración (TA) y situarlo encima del cesto del skimmer. Poner en marcha la depuradora en posición FILTER y comenzar a limpiar el fondo. Especial atención a zonas con pliegues donde se acumule la suciedad.

LIMPIA FONDOS TIPO VENTURY:

Acoplar una manguera de jardín al cabezal del limpia fondos e introducirlo dentro de la piscina. Abrir el grifo a una presión normal para que el agua fluya contra el fondo de la piscina, produciendo una corriente ascendente que deposita la suciedad en el filtro que incorpora el limpia fondos.

PROBLEMAS	CAUSAS	SOLUCIONES
Agua Turbia	Filtración pobre. PH alto. Exceso de residuos orgánicos	Realice un contralavado del filtro. Añada CLARIFICANTE en pastillas en un dosificador. Realice una Cloración choque.
Agua Verde	Formación de algas o verdín.	Cepillar suavemente el fondo y las paredes de la piscina. Analice el PH y ajústelo entre 7,2-7,6. Añada ALGICIDA y CLARIFICANTE LIQUIDO.
Agua Marrón	Presencia de Hierro o Manganeseo.	Analice el PH y ajústelo entre 7,2-7,6. Realice una CLORACION DE CHOQUE. Añada CLARIFICANTE LIQUIDO.
Incrustaciones	Presencia de Cal en el agua.	Analice el PH y ajústelo entre 7,2-7,6. Añada una vez por semana ANTICALCAREO.
Irritación de ojos y piel. Malos olores	PH desajustado. Exceso de residuos orgánicos.	Analice el PH y ajústelo entre 7,2-7,6. Realice una CLORACION DE CHOQUE.





RECOMMANDATION POUR L'ENVIRONNEMENT :
NE DÉMONTÉZ PAS LA PISCINE SI CELA N'EST PAS ABSOLUMENT NÉCESSAIRE. EN CAS DE DÉMONTAGE, NOUS VOUS PRIONS DE RÉUTILISER L'EAU. IL N'Y A PAS D'EAU EN TROP.

Lorsque votre piscine atteint la fin de sa vie utile, elle doit être démontée, puis il faudra séparer les différents matériaux (plastique et acier) et les déposer dans la déchetterie spécialisée par les autorités locales.

ENTRETIEN ET UTILISATION :

- Durant la saison d'utilisation du kit piscine, le système de filtration doit obligatoirement être remis en service chaque jour, suffisamment longtemps pour assurer au moins un renouvellement complet du volume d'eau.
- Durant la saison d'utilisation du kit piscine, vérifier régulièrement le niveau d'encrassement du média filtrant.
- Surveiller la boue et la visserie (par exemple : traces de rouille) lorsque c'est possible.
- Le niveau d'eau de la piscine doit toujours être maintenu au minimum à 15 cm du rebord supérieur de celle-ci.
- Ne videz jamais complètement la piscine. Vous risqueriez d'endommager gravement la structure de votre piscine si le niveau d'eau n'est pas suffisant.
- Le non-respect des consignes d'entretien peut engendrer des risques graves pour la santé, notamment celle des enfants.
- L'utilisation du kit piscine implique le respect des consignes de sécurité décrites dans la notice d'entretien et d'utilisation.
- Ne pas laisser le kit piscine se poser sur le sol à l'extérieur vide.
- Nettoyer régulièrement le liner PVC et la ligne du niveau de l'eau avec des produits non abrasifs. Nettoyez périodiquement le pli inférieur du fond au latéral du liner car c'est une zone où la saleté s'accumule. Si vous faites par accident un petit trou dans le liner, vous pouvez le réparer avec nos rustines AR202 ou V12.
- Les bords chauds (isothermes) protègent votre piscine des insectes, poussière, feuilles, etc. et évitent la perte de température de l'eau. Placez-la toujours avec les bulles en contact avec l'eau.

HIVERNAGE :

A) SI VOUS CHOISISSEZ DE NE PAS DÉMONTÉ LA PISCINE :

- 1- Nettoyer le fond et les parois du liner avec un produit non abrasif.
- 2- Traiter l'eau avec un produit d'hivernage. Il est recommandé d'utiliser un **HIVERNAGE LIQUIDE** au lieu de flotteurs avec un produit solide pour éviter de colorer le liner.
- 3- Laisser la piscine remplie d'eau en tenant compte que :
 - a) Pour les piscines avec skimmer et buse de refoulement baisser le niveau de l'eau 5 cm en dessous du skimmer et fermer la buse de refoulement avec le bouchon à vis qui est joint à l'épurateur.
 - b) Pour les piscines avec buses d'aspiration et de refoulement baisser le niveau de l'eau 20 cm du rebord supérieur de la piscine, en fermant les buses par le système de vis qui est incorporé.
- 4- Déconnecter les tuyaux. Ne pas démonter le skimmer ni les buses.
- 5- Protéger la piscine avec une bâche d'hivernage en mettant un flotteur flottant entre celle-ci et l'eau afin de la protéger du gel.
- 6- Épurateur : le déconnecter de la piscine. Le nettoyer, vider le sable ou enlever la cartouche, le sécher et le conserver dans un endroit couvert et à l'abri de l'humidité.
- 7- Accessoires : enlever tous les accessoires (Zchelle, alarme, projecteur, perche, etc.), les nettoyer à l'eau douce et les ranger.

REMISE EN MARCHÉ : Enlever la bâche d'hivernage installer l'épurateur changer au moins 1/3 de l'eau et réaliser une chloration de choc. Mettre l'épurateur en fonctionnement pendant au moins 8 heures en respectant les périodes de fonctionnement en continu indiquées sur les manuels des épurateurs.

B) SI VOUS CHOISISSEZ DE DÉMONTÉ LA PISCINE :

- 1- Vider la piscine. Moyens : Épurateur, Pompe de vidange ou Principe des vases communicants. **Utiliser le principe des vases communicants :** pour ceci, prenez le tuyau de l'épurateur à diamètre inférieur. Attachez un poids à l'une de ses extrémités et faites le plonger au fond de la piscine. A la suite plongez la totalité du tuyau jusqu'à vider tout l'air qui se trouve à l'intérieur. Cela consiste à appuyer de la main boucher hermétiquement sous l'eau l'extrémité libre du tuyau puis menez-la jusqu'au point de vidange désiré. Retirez la main et l'eau commencera à couler. Ne pas utiliser cette eau pour l'arrosage tant qu'elle contient des produits chimiques.
- 2- Nettoyer tous les composants de la piscine avec une éponge et un produit savonneux avec pH neutre. Les sécher et les ranger dans un endroit sec et propre. Il est normal qu'après plusieurs montages et démontages le liner en PVC se dilate et perde de l'élasticité.

REMISE EN MARCHÉ : Lisez de nouveau les instructions contenues dans ce manuel depuis le début.

TRAITEMENTS CHIMIQUES :

Lisez avec attention les instructions du fabricant du produit chimique. ATTENTION: Conserver les produits chimiques dans un endroit propre, sec et hors de portée des enfants.

Important : Tous les produits utilisés doivent être compatibles avec le liner en PVC.

- **Premier remplissage :** Analyser le pH et le Chlore (Cl) de l'eau et les ajuster aux niveaux optimaux : pH : 7,2 à 7,6 ; Chlore : 0,5 à 2 ppm.
- **Chloration choc :** Cela consiste à augmenter le niveau de chlore jusqu'à 20 ppm approximativement pour éliminer les bactéries et algues. La réaliser uniquement lorsque l'eau de la piscine provient de puits, citernes ou lorsqu'elle est restée longtemps sans traitement.
- **Contrôles :** Contrôle, au moins une fois par semaine, les niveaux de pH et Chlore. (Utilisez un analyseur de Chlore et pH) De même, vous devrez rajouter de l'algicide pour prévenir la formation des algues. Ne jamais se baigner jusqu'à ce que le niveau de chlore soit stabilisé. Toujours utiliser un dosificateur flottant pour la dissolution du produit chimique (pastilles). Le dosage des produits chimiques se fait en fonction de : le volume d'eau de votre piscine, la fréquence des baignades, les conditions climatiques, température de l'eau et emplacement. Toujours agiter l'eau et attendre la dissolution du produit chimique avant d'ajouter un autre. Attendre environ 12 h. entre chaque ajustement de pH, de Chlore, ou d'anti-algues faisant fonctionner le système de filtration.

TRAITEMENTS MECANIQUES :

Vérifier que l'épurateur, skimmer, buses et tuyaux soient correctement connectés à la piscine. Tenez en compte que plus la température de l'eau est élevée, plus long sera le temps de filtration. Temps de filtration théorique = volume d'eau à débiter du système de filtration (généralement 8h/jour avec la température de l'eau à 21°C), (Idéal : 2h le matin et 4h à la mi-journée et 2h l'après-midi) **Bien respecter les périodes de fonctionnement en continu indiquées sur les manuels des épurateurs.**

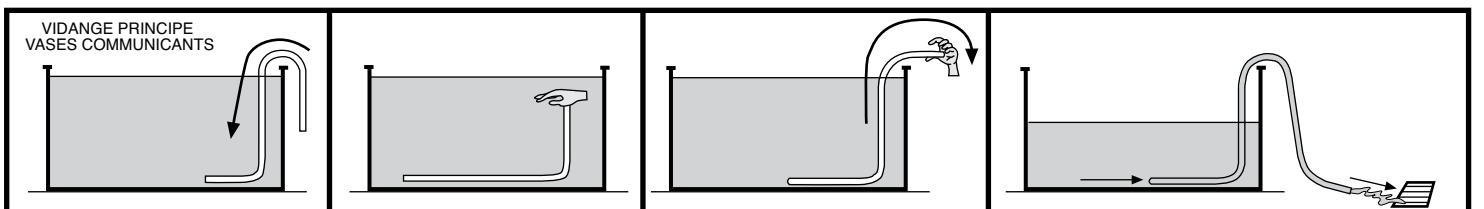
- ASPIRATEUR DE FOND PAR ASPIRATION (MANUEL OU AUTOMATIQUE) :

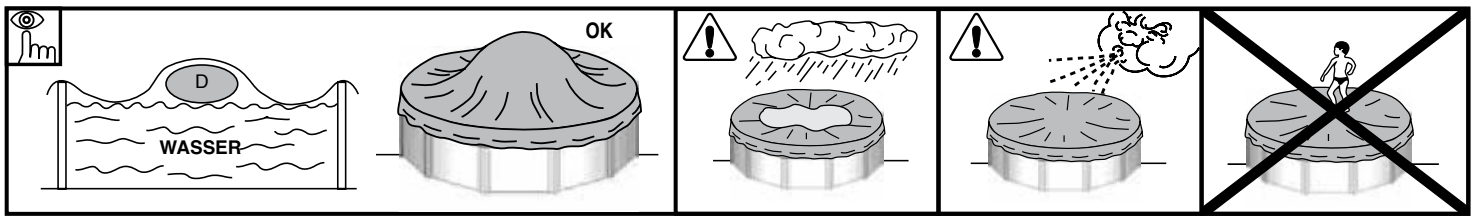
Uniquement pour les piscines avec skimmer. Connecter une extrémité du tuyau à la tête du balai et le plonger dans l'eau pour qu'elle remplisse. Connecter l'autre extrémité du tuyau à l'aspirateur d'aspiration (TA) et le mettre sur le panier du skimmer. Mettre en marche l'aspirateur en position FILTER et commencer à nettoyer le fond. Faire attention dans les zones où il y a de la saleté accumulée.

ASPIRATEUR DE FOND TYPE VENTURY :

Assembler un tuyau d'arrosage sur l'embout de l'aspirateur de fond et l'introduire dans la piscine. Ouvrir le robinet à une pression normale pour que l'eau coule vers le fond de la piscine, produisant ainsi un courant ascendant qui recueille la saleté et la dépose dans le filtre installé sur l'aspirateur de fond.

PROBLEMES	CAUSES	SOLUTIONS
Eau trouble	Filtration pauvre, pH haut. Excès de résidus organiques	Laver le filtre. Ajouter du CLARIFIANT en pastilles avec un doseur. Faire une chloration de choc.
Eau verte	Formation d'algues ou vert de gris	Brosser régulièrement le fond et les parois de la piscine. Analyser le PH et ajuster entre 7,2-7,6. Ajouter un algicide et du CLARIFIANT LIQUIDE.
Eau marron	Présence de fer ou de manganèse	Analyser le PH et ajuster entre 7,2-7,6. Faire une CHLORATION DE CHOC. Ajouter du CLARIFIANT LIQUIDE.
Incrustations	Présence de chaux dans l'eau	Analyser le PH et ajuster entre 7,2-7,6. Ajouter de l'ANTI-CALCAIRE une fois par semaine.
Irritation des yeux et de la peau. Mauvaises odeurs	PH non ajusté. Excès de résidus organiques	Analyser le PH et ajuster entre 7,2-7,6. Faire une CHLORATION DE CHOC.





UMWELTSCHUTZUNG

DEMONTIEREN SIE NICHT DAS SCHWIMMBECKEN, WENN DAS NICHT UNBEDINGT N...TIGIST. IM FALLE SIE DAS MACHEN, VERWENDEN SIE BITTE DAS WASSER. DAS WASSER IST EIN KNAUSERIGES GUTE.

Wenn Ihr Pool das Ende seiner Nutzungsdauer erreicht hat, muss er auseinandergebaut werden. Die verschiedenen Materialien (Plastik und Stahl) müssen getrennt und zur Sammelstelle gebracht werden, die von den örtlichen Behörden bestimmt wird.

WARTUNG UND BENUTZUNG:

- Schalten Sie die Filteranlage einmal täglich ein, um sicher zu gehen, dass das gesamte Wasservolumen erneuert wird und immer dann, wenn das Pool nicht zum Baden benutzt wird. (Siehe Handbuch der Reinigungsanlage).
- Im Sommer, wenn die Poolanlage im Einsatz ist, Filter regelmäßig auf Verstopfung prüfen.
- Schrauben, Muttern und Unterlegscheiben (auf Rost) untersuchen.
- Der Poolwasserstand muss immer mindestens 15 cm unter der Pooloberkante liegen.
- Pool niemals vollkommen entleeren. Ein niedriger Wasserstand kann beträchtlichen Schaden am Pool hervorrufen.
- Die Nichtbeachtung der empfohlenen Wartungsarbeiten kann zu schweren Gesundheitsschäden, besonders für Kinder, führen.
- Die Nutzung eines Schwimmbad-Bausatzes setzt die Einhaltung der in den Betriebs- und Wartungsanleitung enthaltenen Sicherheitsvorschriften voraus.
- Poolanlage im Freien nicht leer auf dem Boden stehen lassen.
- PVC-Liner und Wasserlinie immer sauber halten und dazu nicht aggressive Reinigungsmittel verwenden. Reinigen Sie regelmäßig die Falte, die den Boden mit dem Seitenteil des Liners verbindet, da sich in diesem Bereich leicht Schmutz ansammeln kann. Geringfügige Löcher, die im Liner entstehen könnten, lassen sich mit unseren Flickern AR202 oder V12 instandsetzen.
- Die (isothermische) Sommerabdeckung schützt Ihr Schwimmbad vor Insekten, Staub, Laub usw. und halten die Wassertemperatur. Bringen Sie sie so an, dass die Blasen direkt auf dem Wasser liegen.

HERWINTERUNG:

A) WENN DAS POOL NICHT ABGEBAUT WERDEN SOLL:

- 1- Boden und Linerflächen mit einem nicht aggressiven Reinigungsmittel reinigen.
- 2- Das Wasser mit einem chemischen Herwinterungsstoff behandeln. Um Verfärbungen an der Auskleidung vorzubeugen, empfiehlt sich die Verwendung von **FLÜSSIGEM HERWINTERUNGSMITTEL** statt Bojen mit festem Mittel.
- 3- Schwimmbad mit Wasser befüllen und dabei folgendes beachten:
 - a) Für Pools mit Skimmer und Rücklaufventil muss der Wasserstand bis ca. 5 cm unter dem Skimmer reichen; Rücklaufventil mit dem der Reinigungsvorrichtung beigefügten Stopfen verschließen.
 - b) Für Pools mit Zu- und Rücklaufventilen muss der Wasserstand bis ca. 20 cm unter dem oberen Poolrand reichen. Ventile mit Hilfe des eingebauten Gewindes schließen.
- 4- Schläuche abklemmen. Jedoch weder Skimmer noch Ventile ausbauen.
- 5- Schwimmbad mit einer Winterabdeckung bedecken und ein schwimmendes Element zwischen und Abdeckung und Wasser als Kiteschutz platzieren.
- 6- Die Reinigungsanlage ist vom Pool abzuklemmen und zu reinigen. Sand oder die Filterpatrone daraus entfernen. Anlage abtrocknen und an einem trockenen Ort unter Dach aufbewahren.
- 7- Zubehör: Alle Zubehörteile (Leiter, Alarmanlage, Scheinwerfer, Stange usw.) entfernen, mit Süßwasser reinigen und aufbewahren.

NEUE INBETRIEBNAHME: Winterabdeckung entfernen, Reinigungsanlage installieren, mindestens ein Drittel des Wasservolumen erneuern und Schockchlorierung vornehmen. Reinigungsanlage mindestens 8 Stunden ununterbrochen laufen lassen.

B) WENN DAS POOL ABGEBAUT WIRD:

- 1- Pool leeren: Reinigungsanlage, Lenzpumpe oder Prinzip kommunizierender Gefäße. **Nehmen Sie den Schlauch mit dem kleineren Durchmesser:** Ein Schlauchende mit Hilfe eines Schweren Stoffs so befestigen, daß es im Beckeninnern untertaucht. Der ganz Schlauch im Schwimmbaden ins Wasser tauchen bis keine Luft mehr drinnen im Schlauch bleibt. Das andere Schlauchende mit der Hand abdecken, aus den Becken nehmen und bis um Wünschgebiet mitnehmen. Nun ziehen Sie Ihre Hand zurück und das Wasser fließen zu lassen. Dieses Wasser darf nicht zum Sprengen verwendet werden, da es chemische Produkte enthält.
- 2- Sämtliche Poolkomponenten mit einem Schwamm und einem pH-neutralen seifigen Produkt reinigen. Abtrocknen und an einem trockenen und sauberen Ort aufbewahren. Es ist normal, dass sich der PVC-Liner nach mehrmaligen Auf- und Abbau etwas dehnt und Elastizität verliert.

NEUE INBETRIEBNAHME: Anweisungen dieses Handbuchs nochmals von Anfang an durchlesen.

CHEMISCHE PRODUKTE:

Bitte lesen Sie sorgfältig die Anweisungen des Herstellers des chemischen Produktes. **WICHTIGER HINWEIS:** Bewahren Sie die chemischen Stoffe an einem sauberen, trockenen und Kindern nicht zugänglichen Ort auf. **Wichtiger Hinweis:** Alle eingesetzten Produkte müssen mit dem PVC-Liner kompatibel sein.

- **Erste Befüllung:** pH-Wert und Chlorgehalt (Cl) des Wassers feststellen und auf die optimalen Werte einstellen: pH: 7,2-7,6 ;Chlor 0,5-2 ppm.
- **Schockchlorierung:** Dabei wird der Chlorgehalt zur Beseitigung von Bakterien und Algen bis ca. 20 ppm eingestellt, Schockchlorierung ist jedoch nur angezeigt, wenn das Poolwasser aus Fäulnis, Teichen usw. stammt oder längere Zeit nicht behandelt wurde.
- **Kontrollen:** Mindestens einmal wöchentlich pH-Wert und Chlorgehalt überprüfen. (Dazu Chlor- und pH-Analysator verwenden). Außerdem ist ein Algenvertilgungsmittel beizugeben, um Algenbildung zu unterbinden. Das Schwimmbad darf keinesfalls benutzt werden, bevor nicht der Chlorgehalt eingestellt ist. Zum Auflösen des chemischen Produktes (Pastillen) verwenden Sie immer einen Schwimmdosierer. Die Dosierung chemischer Produkte erfolgt in Abhängigkeit vom Wasservolumen Ihres Pools, der Badehäufigkeit, den klimatischen Bedingungen, der Wassertemperatur und dem Standort. Nach dem Eindosieren immer rühren und abwarten, bis sich das chemische Produkt gelöst hat, bevor ein weiteres zugegeben wird. Zwischen einer Einstellung des pH-, Chlorwertes und des Algenvertilgungsmittelwertes und der nächsten, lassen sie mehr oder weniger 12 Stunden beim gleichzeitigem Betrieb der Filteranlage verstreichen.

MECHANISCHE MITTEL:

Stellen Sie sicher, dass Reinigungsanlage, Skimmer, Ventile und Schläuche korrekt an das Pool angeschlossen sind. Bedenken Sie dabei, dass die Filtrierzeit umso länger ist, je höher die Wassertemperatur ist. Theoretische Filtrierzeit = Wasservolumen / Durchflussmenge des Filtersystems (im Allgemeinen 8 h/Tag bei einer Wassertemperatur von 21°C) (Ideal: 2 Std.. morgens - 4 Std. mittags - 2 Std. nachmittags).

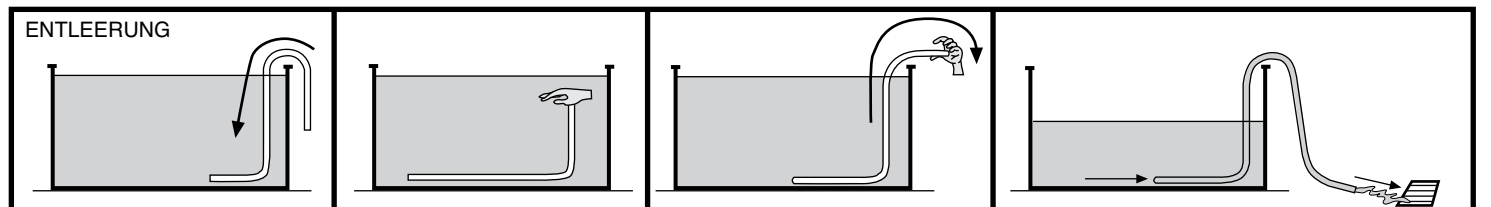
BODENREINIGUNG DURCH ABSAUGUNG (MANUELL ODER AUTOMATISCH):

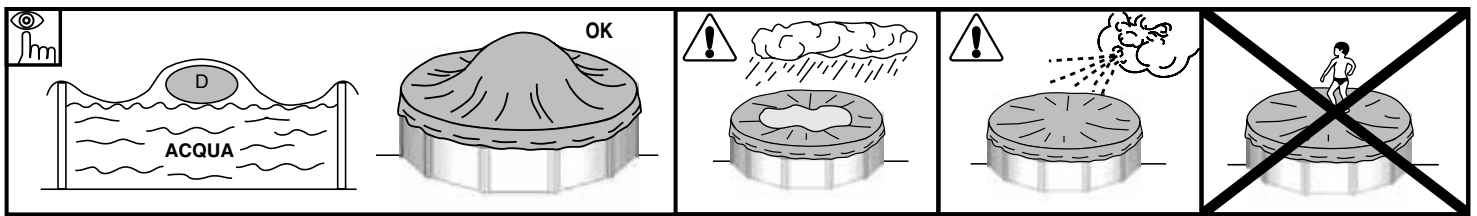
Nur für Schwimmbäder mit Skimmer. Schlauchende des Bodenreinigers an die Kehrvorrichtung anschließen und ins Wasser tauchen, damit sich der Schlauch füllt. Das andere Schlauchende mit dem Saugdeckel (TA) verbinden und in den Skimmerkorb setzen. Reinigungsanlage in Stellung FILTER in Gang setzen und mit der Bodenreinigung beginnen. Auf Faltenbereiche, in denen sich Schmutz ansammelt, ist besonders zu achten.

VENTURIBODENREINIGER:

Einen Gartenschlauch mit dem Kopf des Bodenreinigers verbinden und in das Schwimmbad einführen. Hahn mit normalem Druck öffnen, damit das Wasser gegen den Poolboden fließt und so ein aufsteigender Strom entsteht, durch den der Schmutz in den Bodenreiniger eingebauten Filter gelangt.

PROBLEME	URSACHEN	ABHILFE
Trübes Wasser	Filtrierung unzureichend. pH-Wert hoch. Zu viele organische Rückstände	Führen Sie eine Filtergegenwache durch. Geben Sie mit einem Dosierer KLÄRMITTEL in Tabletten zu. Führen Sie eine Intensivchlorierung durch.
Grünes Wasser	Algen- oder Grünfäulnisbildung	Boden und Wände des Pools sanft abbürsten. pH-Wert feststellen und auf 7,2-7,6 einstellen. ALGENVERTILGUNGSMITTEL und FLÜSSIGES KLÄRMITTEL zugeben.
Braunes Wasser	Eisen oder Mangan im Wasser	pH-Wert feststellen und auf 7,2-7,6 einstellen. INTENSIVCHLORIERUNG durchführen. FLÜSSIGES KLÄRMITTEL zugeben.
Wasserstein	Kalk im Wasser	pH-Wert feststellen und auf 7,2 - 7,6 einstellen. Einmal wöchentlich ENTKALKUNGSMITTEL zugeben.
Augen-und Hautreizung. fäuliger Geruch	pH-Wert falsch eingestellt. Zu viele organische Reststoffe im Wasser	pH-Wert feststellen und auf 7,2-7,6 einstellen. INTENSIVCHLORIERUNG durchführen.





**PRECAUZIONE PER L'ECOSISTEMA AMBIENTALE
NON SMONTARE LA PISCINA SE NON E' STRETTAMENTE NECESSARIO. NEL CASO LO FOSSE VI PREGHIAMO DI RIUTILIZZARE L'ACQUA. L'ACQUA NON VA SPRECATA.**

Quando la piscina giunge al termine della sua vita utile, deve essere smontata, i vari materiali (plastica e acciaio) devono essere separati e trasportati presso il centro di raccolta indicato dalle autorità locali.

USO E MANUTENZIONE:

- Porre in funzionamento il sistema di filtraggio una volta al giorno, per assicurare un rinnovamento completo del volume d'acqua e sempre quando non si sta utilizzando la piscina per il bagno (vedi manuale del depuratore).
- Controllare il livello di intasamento del filtro regolarmente durante l'estate quando la piscina è in uso.
- Controllare viti, dadi e rondelle (per la ruggine).
- Il livello d'acqua della piscina deve sempre essere come minimo a 15 cm dal bordo superiore della stessa.
- Non svuotare mai completamente la piscina. Il livello basso dell'acqua può causare seri danni alla piscina.
- La non osservanza delle istruzioni di manutenzione può provocare gravi rischi per la salute, in particolare per i bambini.
- L'utilizzo di un kit da piscina implica il rispetto degli standard di sicurezza descritti nella guida di manutenzione ed uso.
- Non lasciare mai la piscina vuota all'esterno.
- Pulire regolarmente il Liner P.V.C. e la linea del livello d'acqua con prodotti non abrasivi. Pulire periodicamente la piega d'unione del fondo con il laterale del liner, poiché è una zona di accumulo di sporco. Se incidentalmente si fa un piccolo foro nel liner, si può riparare con le nostre toppe AR202 o V12.
- Le coperture estive (isotermiche) proteggono la piscina da insetti, polvere, foglie, ecc. ed evitano la perdita di temperatura dell'acqua. Montarla sempre con le bolle a contatto con l'acqua.

INVERNO:

A) SE SI SCEGLIE DI NON SMONTARE LA PISCINA:

- 1- Pulire il fondo e le pareti del liner con un prodotto non abrasivo.
- 2- Trattare l'acqua con un prodotto chimico per l'inverno. Si raccomanda di utilizzare **SVERNANTE LIQUIDO** al posto di galleggianti con prodotto solido, per evitare lo scolorimento del liner.
- 3- Lasciare la piscina piena d'acqua, ricordando che:
 - a) Per piscine con skimmer e valvola di ritorno livello d'acqua 5 cm al di sotto dello skimmer e chiudere la valvola di ritorno con il tappo filettato in dotazione al depuratore.
 - b) Per piscine con valvole di immissione e ritorno livello d'acqua a 20 cm dal bordo superiore della piscina, chiudendo le valvole mediante il sistema di filettatura incorporato.
- 4- Staccare i tubi flessibili. Non smontare lo skimmer né le valvole.
- 5- Proteggere la piscina con una copertura invernale, collocando un elemento galleggiante fra essa e l'acqua, allo scopo di proteggerla contro il freddo.
- 6- Depuratore: staccarlo dalla piscina. Pulirlo, svuotare dalla sabbia o rimuovere la cartuccia, asciugarlo e riporlo in un luogo al coperto ed asciutto.
- 7- Accessori: rimuovere tutti gli accessori (scaletta, allarme, faro, perlica), pulirli con acqua dolce e conservarli.

NUOVO AVVIO: Rimuovere la copertura invernale, installare il depuratore, cambiare almeno 1/3 dell'acqua ed eseguire una clorazione d'urto. Mettere in funzionamento il depuratore per almeno 8 ore ininterrotte.

B) SE SI SCEGLIE DI SMONTARE LA PISCINA:

- 1- Svuotare la piscina. Mezzi: Depuratore, Pompa di Prosciugamento o Principio di vasi comunicanti. **Utilizzare il principio dei vasi comunicanti:** A tale scopo, prendere l'idrante del depuratore avente minor diametro. Legare un peso ad una delle estremità e quindi immergerlo nella piscina. Successivamente, immergere l'idrante per intero fino ad estrazione dell'aria dall'interno. Chiudere ermeticamente con il palmo della mano sotto l'acqua l'estremità libera dell'idrante e portarlo nel luogo in cui si intende scaricare l'acqua della piscina. Togliere quindi la mano e l'acqua comincerà a scorrere. Non utilizzare quest'acqua per irrigazione, dato che conterrà prodotti chimici.
- 2- Pulire tutti i componenti della piscina con una spugna e un prodotto saponoso con pH neutro. Asciugarli e conservarli in luogo asciutto e pulito. È normale che dopo vari montaggi e smontaggi il liner di PVC si dilati e perda elasticità.

NUOVO AVVIO: Leggere di nuovo le istruzioni del presente manuale dall'inizio.

MEZZI CHIMICI:

Leggere attentamente le istruzioni del fabbricante del prodotto chimico. **ATTENZIONE:** Conservare i prodotti chimici in un luogo asciutto e pulito, lontano dalla portata dei bambini. **Importante:** Tutti i prodotti utilizzati devono essere compatibili con il liner di P.V.C.

- **Primo riempimento:** Analizzare il pH e il Cloro (Cl) dell'acqua e regolarli agli indici ottimali: pH: 7,2 - 7,6 ; Cloro: 0,5 - 2 ppm.
- **Clorazione d'urto:** Consiste nell'aumentare l'indice di cloro sino a 20 ppm circa, allo scopo di eliminare i batteri e le alghe. Si realizza solo quando l'acqua della piscina proviene da fiumi, stagni, o dopo un lungo periodo senza trattamento.
- **Controlli:** Controllare almeno una volta alla settimana gli indici di pH e Cloro (utilizzare un analizzatore di Cloro e pH). Si dovrà inoltre aggiungere Alghicida per prevenire la formazione di alghe. Non fare mai il bagno finché non si sarà stabilizzato l'indice di cloro. Utilizzare sempre un Dosatore galleggiante per la soluzione del prodotto chimico (pastiglie). La dosatura dei prodotti chimici si realizza in funzione: Del volume d'acqua della piscina, della frequenza di bagno, delle condizioni climatiche, della temperatura dell'acqua e dell'ubicazione. Rimuovere sempre l'acqua ed attendere la soluzione di un prodotto chimico prima di aggiungerne un altro. Attendere circa 12 ore fra una regolazione di pH, Cloro, o di anti-alghe, facendo funzionare il sistema di filtraggio.

MEZZI MECCANICI:

Verificare che il depuratore, lo skimmer, le valvole e i tubi flessibili siano correttamente collegati alla piscina. Tenere sempre presente che a maggior temperatura dell'acqua sarà necessario più tempo di filtraggio. $\text{Tempo filtraggio teorico} = \text{Volume d'acqua} / \text{Portata del sistema di filtraggio}$ (in genere, 8 h/giorno con la temperatura dell'acqua a 21°C) (Ideale: 2 h. al mattino - 4 h. a mezzogiorno - 2 h. la sera).

PULISCI FONDO MEDIANTE ASPIRAZIONE (MANUALE O AUTOMATICO):

Solo per piscine con skimmer. Collegare un'estremità del tubo flessibile del pulisci fondo alla spazzatrice e sommergerlo nell'acqua fino a riempire il tubo. Collegare l'altra estremità del tubo flessibile al Coperchio di Aspirazione (TA) e situarlo sopra la festa dello skimmer. Avviare il depuratore in posizione FILTER ed iniziare a pulire il fondo. Fare particolare attenzione alle zone con pieghe, in cui si accumula lo sporco.

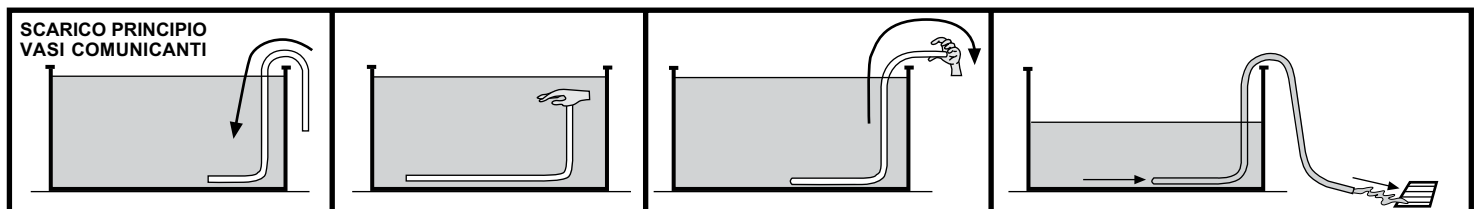
PULISCI FONDO TIPO VENTURI:

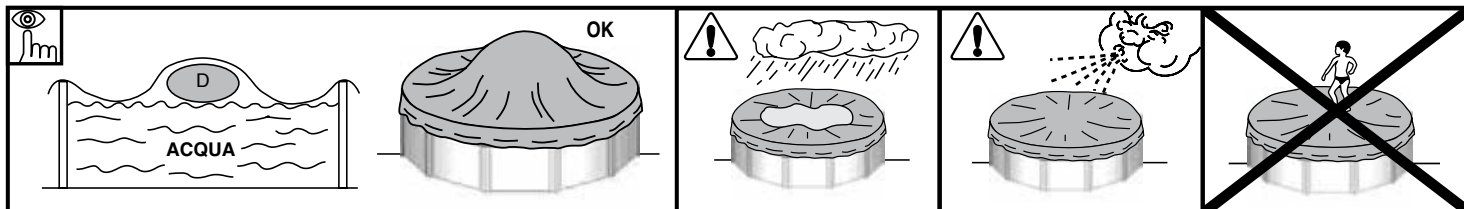
Collegare un tubo flessibile da giardino alla testa del pulisci fondo e sommergerlo nella piscina. Aprire il rubinetto a una pressione normale affinché l'acqua fluisca contro il fondo della piscina, producendo una corrente ascendente che deposita lo sporco nel filtro di cui è dotato il pulisci fondo.

USO E MANUTENZIONE: (ITALIANO)

- Porre in funzionamento il sistema di filtraggio una volta al giorno, per assicurare un rinnovamento completo del volume d'acqua e sempre quando non si sta utilizzando la piscina per il bagno (vedi manuale del depuratore).
- Controllare il livello di intasamento del filtro regolarmente durante l'estate quando la piscina è in uso.
- Controllare viti, dadi e rondelle (per la ruggine).
- Il livello d'acqua della piscina deve sempre essere come minimo a 15 cm dal bordo superiore della stessa.
- Non svuotare mai completamente la piscina. Il livello basso dell'acqua può causare seri danni alla piscina.
- La non osservanza delle istruzioni di manutenzione può provocare gravi rischi per la salute, in particolare per i bambini.

PROBLEMI	URSACHEN	ABHILFE
Acqua torbida	Filtraggio povero. pH alto. Eccesso di residui organici	Eseguire un ulteriore lavaggio del filtro. Aggiungere CHIARIFICATORE in pastiglie e un dosatore. Eseguire una Clorazione d'impatto
Acqua verde	Formazione di alghe o veridrame	Spazzolare leggermente il fondo e le pareti della piscina. Analizzare il pH e regolarlo a 7,2-7,6. Aggiungere ALGHICIDA e CHIARIFICATORE LIQUIDO
Acqua marroni	Presenza di ferro o manganese	Analizzare il pH e regolarlo a 7,2-7,6. Eseguire una CLORAZIONE D'IMPATTO. Aggiungere CHIARIFICATORE LIQUIDO
Incrostazioni	Presenza di calcare nell'acqua	Analizzare il pH e regolarlo a 7,2-7,6. Aggiungere una volta alla settimana ANTICALCARE
Irritazione di occhi e pelle. Cattivi odori	pH non regolato. Eccesso di residui organici	Analizzare il pH e regolarlo a 7,2-7,6. Eseguire una CLORAZIONE D'IMPATTO





PT O MEIO AMBIENTE AGRADECE O DESMONTAR A PISCINA SE ABSOLUTAMENTE NECESSÁRIO. NESTE CASO, POR FAVOR REUTILIZE A ÁGUA. A ÁGUA É VIDA.

Quando a piscina atingir o final da sua vida útil, deverá ser desmontada e os distintos materiais (plástico e aço) segregados e transportados para o Ecoponto especificado pelas autoridades locais.

MANUTENÇÃO E USO:

- Ponha a funcionar o sistema de filtração uma vez por dia para assegurar um renascimento completo do volume de água, e sempre que não se estiver a utilizar a piscina para o banho. (Ver o manual do depurador).
- Verifique o nível de bloqueio dos filtros regularmente no Verão, quando o kit de piscina estiver a ser utilizado.
- Verifique o estado dos parafusos, porcas e anilhas (para detectar possíveis vestígios de oxidação).
- O nível de água da piscina deve manter-se sempre como mínimo a 15 cm do borde superior.
- Nunca esvazie completamente a piscina. Um baixo nível de água poderia danificar seriamente a piscina.
- Não respeitar as instruções de manutenção pode por gravemente em perigo a saúde, especialmente a das crianças.
- A utilização de um kit de piscina implica o respeito pelas normas de segurança descritas no guia de utilização e de utilização.
- Nunca deixe um kit de piscina vazio no chão e no exterior.
- Limpe regularmente o Liner P.V.C. e a linha do nível de água, com produtos não abrasivos. Limpar periodicamente a dobra de união do fundo com o lateral do liner já que é uma zona onde se acumula a sujidade. Se acidentalmente houver um pequeno furo no liner, pode-se arranjar com os nossos remendos AR202 ou V12.
- As coberturas de vidro (isolamentos) protegem a piscina dos insectos, do sol, das folhas, etc. e evitam baixar a temperatura da água. Coloque-a sempre com as bolhas em contacto com a água.

INVERNO:

A) SE SE OPTAR POR NÃO DESMONTAR A PISCINA:

- 1- Limpar o fundo e as paredes do liner com um produto não abrasivo.
- 2- Tratar a água com um produto químico para o Inverno. Recomenda-se o uso de **INVERNADOR LÍQUIDO** no lugar de bacias com produto sólido para evitar descoloração e no liner.
- 3- Deixar a piscina cheia de água, tendo em conta o seguinte:
 - a) Para piscinas com skimmer e válvula de retorno, o nível da água deve estar 5 cm por baixo do skimmer; fechar a válvula de retorno com a tampa de rosca que vai junto com o depurador.
 - b) Para piscinas com válvulas de admissão e retorno, o nível da água deve de estar a 20 cm do borde superior da piscina; fechar as válvulas com o sistema de rosca de que estão dotadas.
- 4- Desmontar as mangueiras. Não desmontar o skimmer nem as válvulas.
- 5- Proteger a piscina com uma cobertura de Inverno, colocando um elemento flutuante entre a piscina e a água para a proteger do frio.
- 6- Desmontar o depurador da piscina. Limpar, despejar a areia ou tirar o cartucho, secar e guardar num lugar coberto e sem humidade.
- 7- Acessórios: tirar todos os acessórios (escada, alarme, foco, vara,...), limpar com água doce e guardar.

PARA UTILIZAR DE NOVO: Tirar a cobertura de Inverno, instalar o depurador, despejar pelo menos 1/3 da água e realizar uma cloragem de choque. Pôr o depurador em funcionamento pelo menos durante 8 horas sem interrupção.

B) SE SE OPTAR POR DESMONTAR A PISCINA:

- 1- Despejar a piscina. Meio depurador, bomba de despejo ou principio dos vasos comunicantes. **Utilizar o principio dos vasos comunicantes:** atar um peso nos extremos da mangueira da depuração que tem o diâmetro mais pequeno e submergir os na piscina. Submergir depois toda a mangueira até evacuar o ar do interior. Debaixo da água, tape hermeticamente com a mão o extremo livre da mangueira e leve-o ao lugar onde deseja esvaziar a piscina. Tirar a mão para a água comece a correr. Não utilize a água para a rega, já que contém produtos químicos.
- 2- Limpar todos os componentes da piscina com uma esponja e um produto à base de sabão com pH neutro. Secar e guardar num lugar seco e limpo. Depois de várias montagens e desmontagens, é normal que o liner de PVC se dilate e perca elasticidade.

PARA UTILIZAR DE NOVO: Ler novamente as instruções deste manual desde o princípio.

MEIOS QUÍMICOS:

Leia com atenção as instruções do fabricante do produto químico. **ATENÇÃO:** Guarde os produtos químicos num local limpo, seco e fora do alcance das crianças. **Importante:** Todos os produtos utilizados devem ser compatíveis com o liner de P.V.C.

- **Primeiro enchimento:** Analisar o pH e o Cloro (Cl) da água e ajustar aos níveis ótimos: pH: 7,2 - 7,6 ; Cloro: 0,5 - 2 ppm.
- **Cloragem de choque:** Consiste em aumentar o nível de cloro até 20 ppm aprox. para eliminar as bactérias e as algas. Sempre deve realizar-se a água da piscina vier de rios, tanques,... ou quando levar muito tempo sem tratamento.
- **Controlos:** Revisar pelos menos uma vez por semana os níveis de pH e de Cloro. (Utilize um analisador de Cloro e de pH). Também deverá acrescentar algicida para evitar a formação de algas. Nunca tome banho antes de se ter estabilizado o nível de cloro. Utilize sempre um dosificador flutuante para a dissolução do produto químico (comprimidos). A dosagem dos produtos químicos faz-se em função do volume de água da piscina, da frequência dos banhos, das condições climáticas, da temperatura da água e da sua superfície. Mexer sempre a água e esperar a dissolução de um produto químico antes de pôr outro. Espere mais ou menos 12 h. entre cada ajustamento de pH, de Cloro, ou de anti algas com o sistema de filtração em funcionamento.

MEIOS MECÂNICOS:

Verificar se a junção da piscina do depurador, do skimmer, das válvulas e das mangueiras é correcta. Tenha em conta que quanto mais alta for a temperatura da água mais necessitará tempo de filtração. Tempo filtração = $\frac{\text{Volume de água}}{\text{caudal do sistema de filtração}}$ (em geral 8 h/dia com uma temperatura de água de 21°C), (Ideal: 2 h pela manhã - 4 h ao meio dia - 2 h pela tarde).

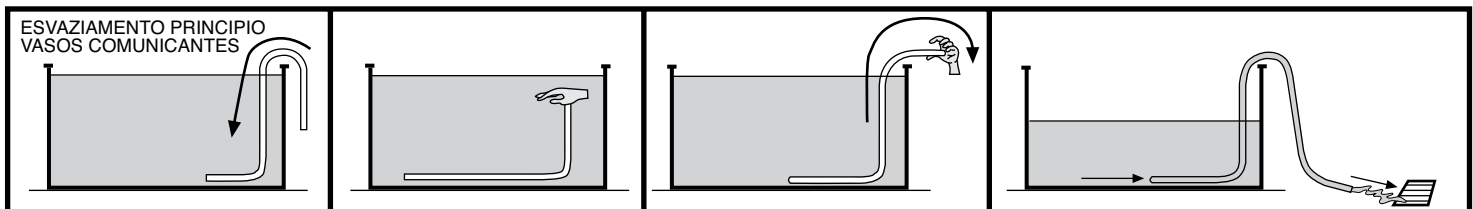
LIMPA FUNDOS POR ASPIRAÇÃO (MANUAL OU AUTOMÁTICO):

S—para piscinas com skimmer: Ligar um extremo da mangueira à varredora e submergi-la na água para se encher a mangueira. Ligar o outro extremo da mangueira à Tampa de Aspiração (TA) e colocá-lo em cima do cesto do skimmer. Pôr em funcionamento o depurador na posição FILTER e comece a limpar o fundo. Especial atenção nas zonas com dobras onde se acumule a sujidade.

LIMPA FUNDOS TIPO VENTURY:

Acoplar uma mangueira de jardim à cabeça do limpa fundos e introduzi-lo na piscina. Abrir a torneira a uma pressão normal, para a água fluir contra o fundo da piscina, produzindo uma corrente ascendente que deposita a sujidade no filtro do limpa fundos.

PROBLEMAS	CAUSAS	SOLUÇÕES
Água Turva	Filtração pobre. PH alto. Excesso de resíduos orgânicos	Fazer a lavagem do filtro. Adicione CLARIFICANTE em pastilhas num dosificador. Fazer uma cloração de choque
Água Verde	Formação de algas ou verdim	Escovar suavemente o fundo da piscina. Analise o PH e ajuste-o entre 7,2 - 7,6. Adicione ALGICIDA E CLARIFICANTE LÍQUIDO
Água Castanha	Presença de Ferro ou Manganês	Analise o PH e ajuste-o entre 7,2 - 7,6. Fazer uma CLORAÇÃO DE CHOQUE. Adicione CLARIFICANTE LÍQUIDO.
Incrustações	Presença de cálcio na água	Analise o PH e ajuste-o entre 7,2 - 7,6. Adicione uma vez por semana ANTICALCÁRIO
Irritação de olhos e pele. Maus odores	PH desajustado. Excesso de resíduos orgânicos	Analise o PH e ajuste-o entre 7,2 - 7,6. Fazer uma CLORAÇÃO DE CHOQUE

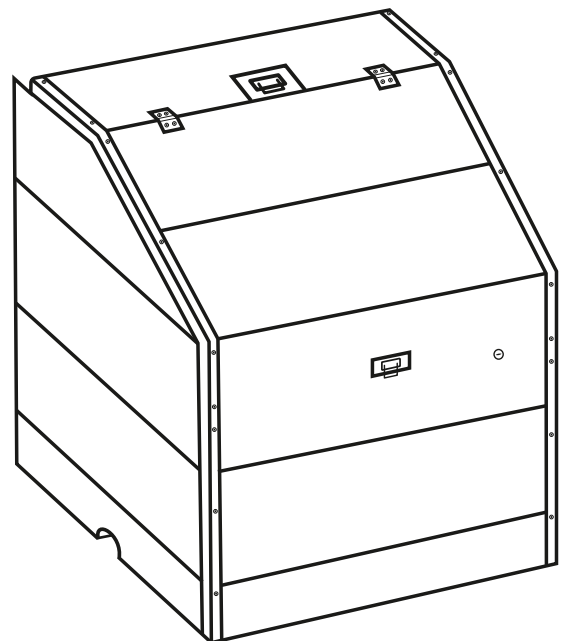
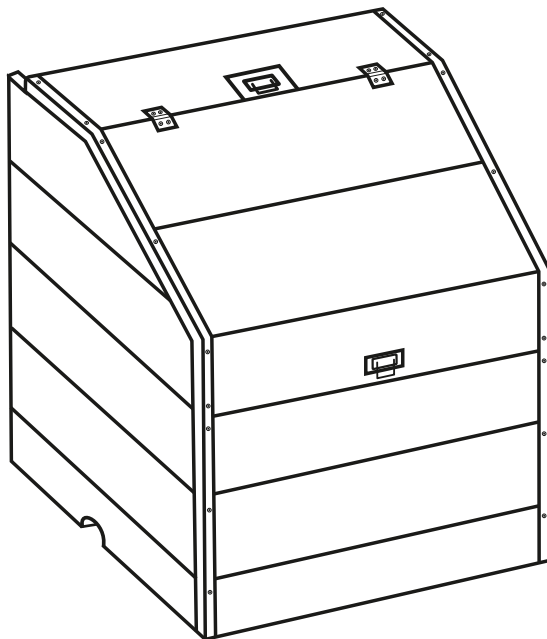




MADE BY - FABRICADO POR - FABRIQUÉ PAR - HERGESTELLT DURCH
PRODOTTO DA - GEPRODUCEERD DOOR - FABRICADO POR:
MANUFACTURAS GRE, S.A. ARITZ BIDEA Nº 57 BELAKO INDUSTRIALDEA,
APARTADO 69 - 48100 MUNGUÍA (VIZCAYA) ESPAÑA Nº Reg. Ind. 48-06762
Made in Spain - Fabricado en España - Fabriqué en Espagne - Hergestellt in Spanien
Prodotto in Spagna - Geproduceerd in Spanje - Fabricado na Espanha



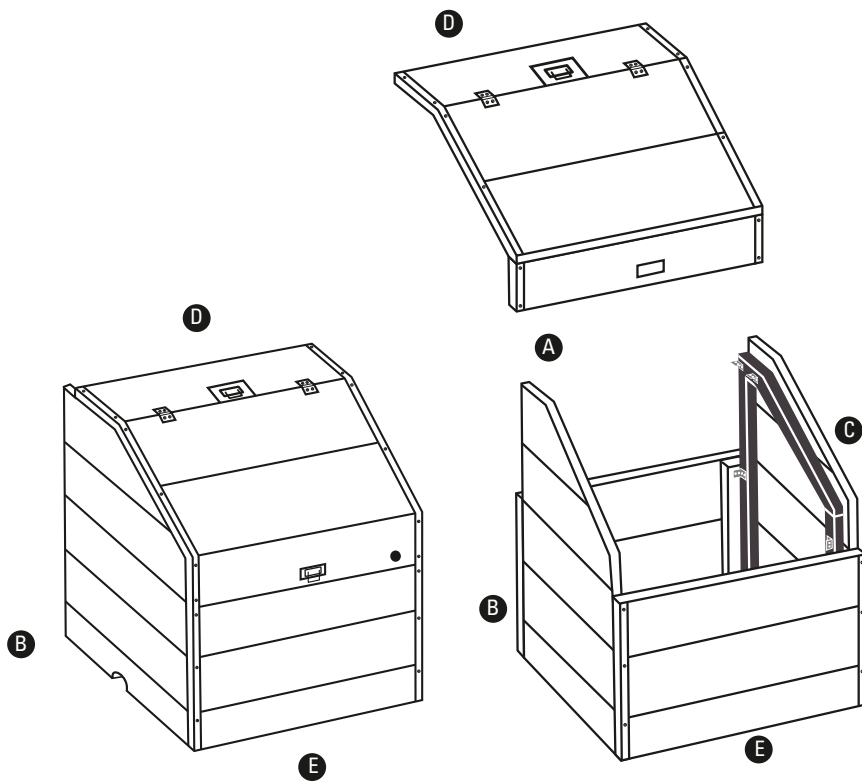
- EN Technical room for composite pool
- ES Local técnico para piscinas de composite
- FR Local technique pour piscines en composite
- DE Technischeinheit für Composite-Schwimmbecken
- IT Locale tecnico per piscine in materiale composito
- NL Technische ruimte voor composiet-zwembaden
- PT Local técnico para piscinas de compósito
- PL Pokrywa techniczna
- CS Technický prostor pro skládací bazén
- SV Tekniskt utrymme för kompositpool



TRCP124

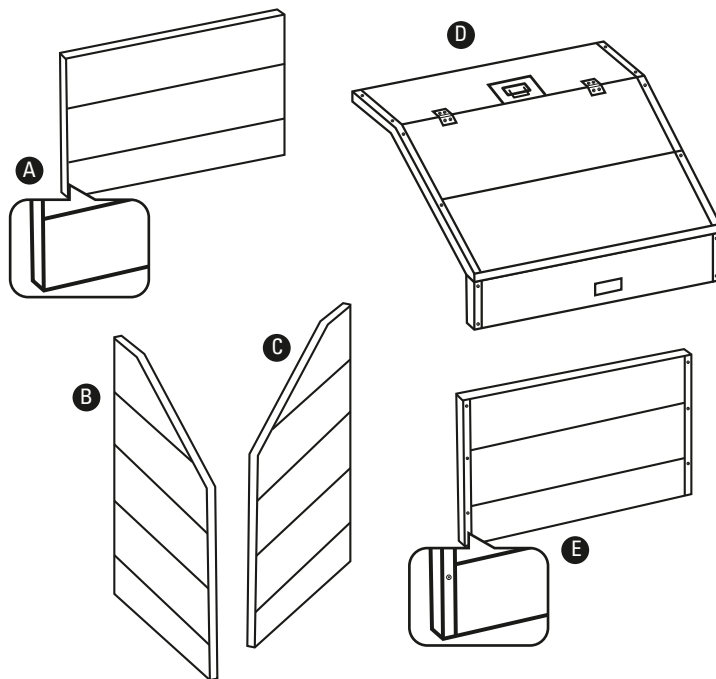
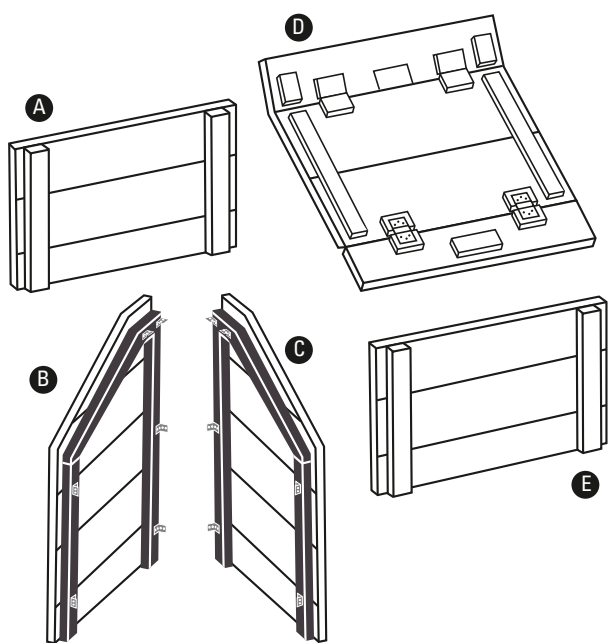
TRCP96

Instruction Manual - Manual de Instrucciones - Manuel d'instructions - Bedienungsanleitung
Manuale delle istruzioni - Handleiding met instructies - Manual de instruções - Instrukcja obsługi -
Návod k použití - Instruktionshandbok

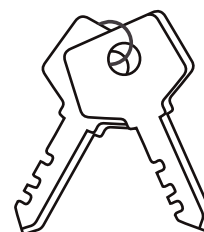
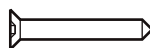
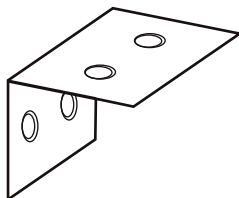
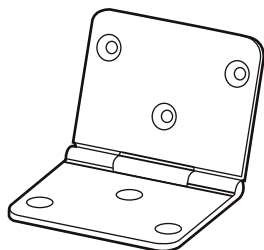


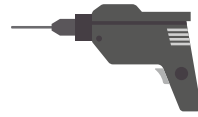
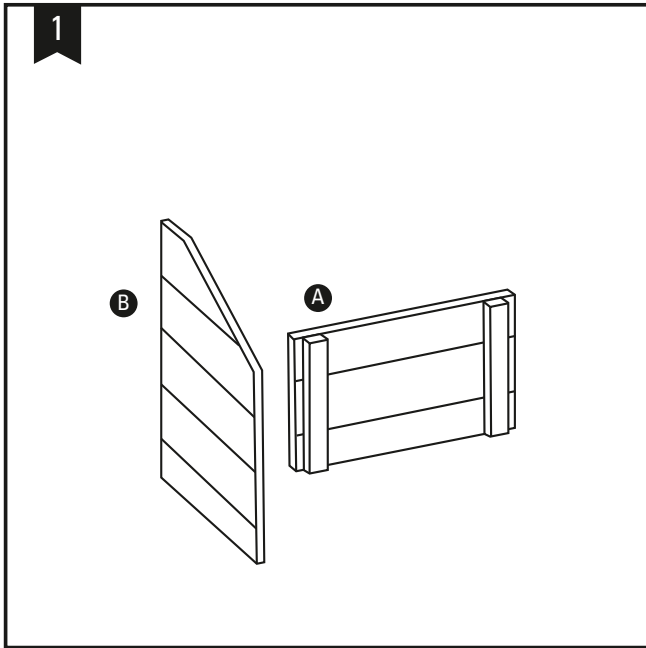
INTERNAL VIEW - INTERIOR - INTÉRIEUR
 INNENRAUM - INTERNO - BINNENLAND - INTERIOR-
 WIDOK ZEWNĘTRZNY - POHLED ZE VNITŘ - INRE VY

EXTERNAL VIEW - EXTERIOR - EXTÉRIEUR
 AUSSEN - ESTERNO
 BUITEN - EXTERIOR WIDOK WEWNĘTRZNY - POHLED
 ZVENKU - YTTRE VY

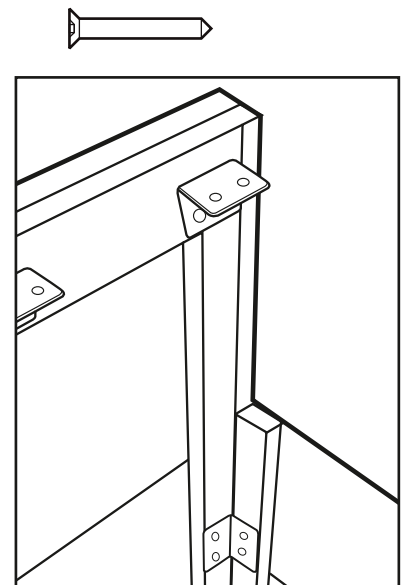
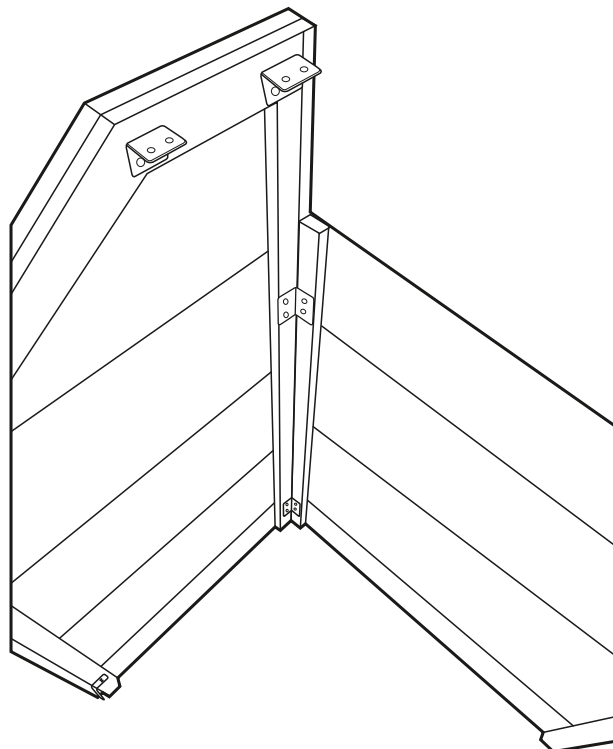
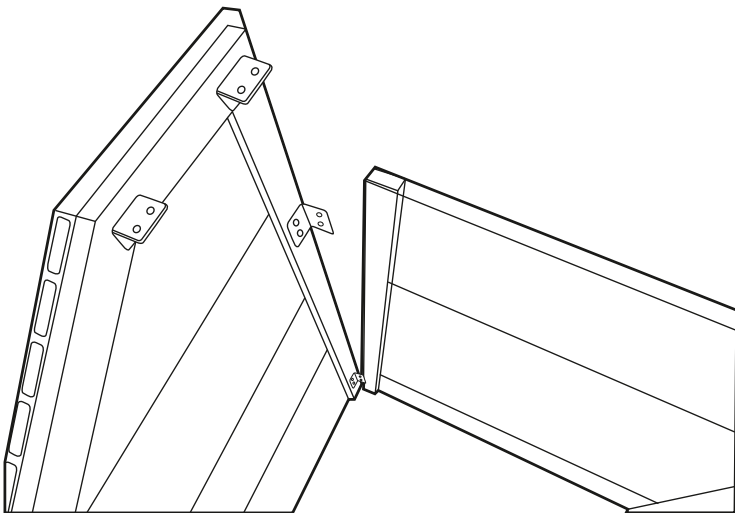


INCLUDED - INCLUIDO - INCLUS - ENTHALTEN - INCLUSO - INGESLOTEN - INCLUÍDO -
 ZAŁĄCZONE - OBSAHUJE - INGÅR

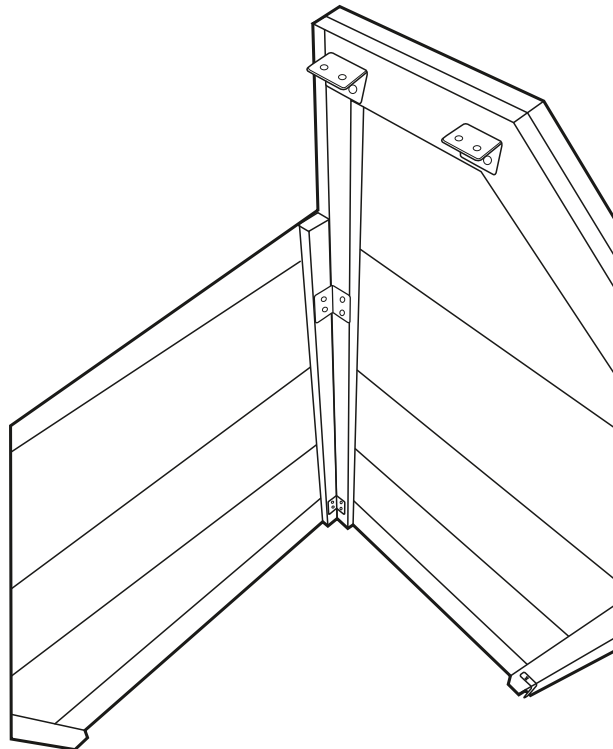
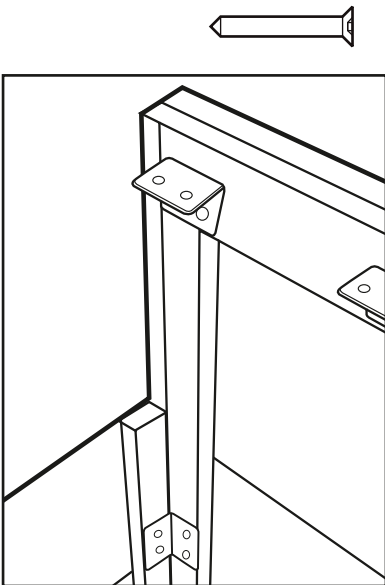
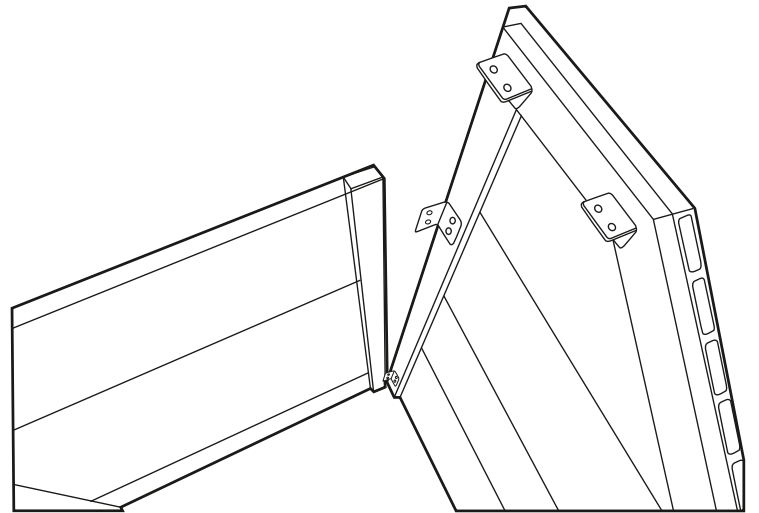
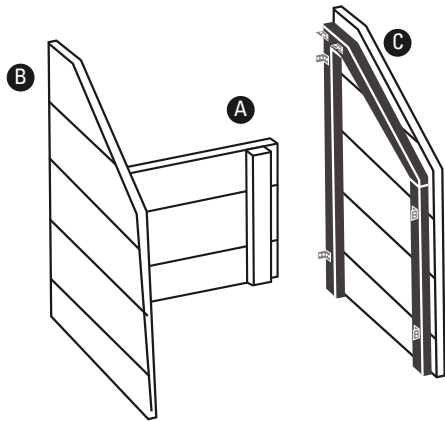




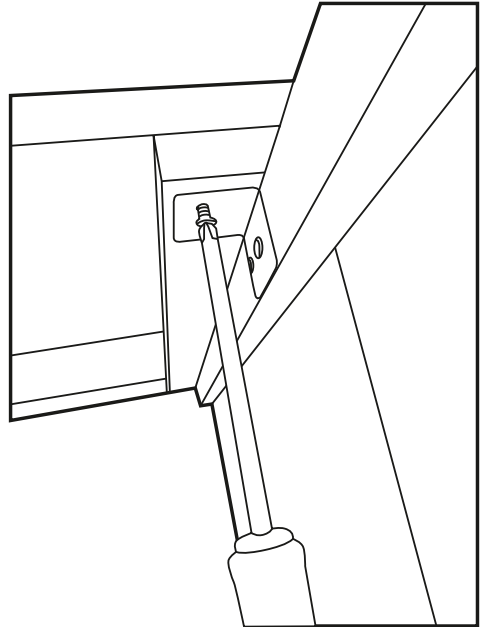
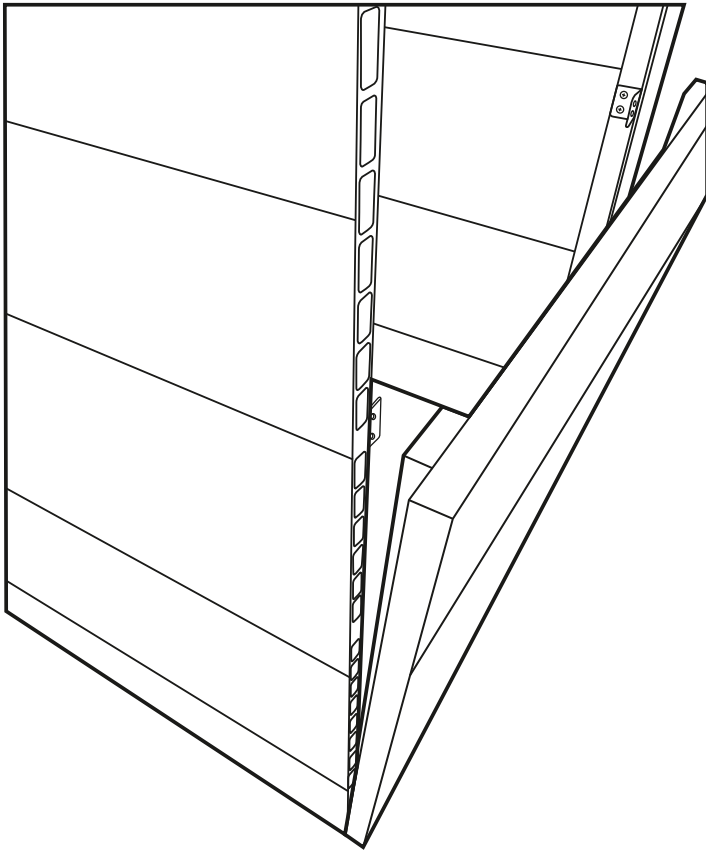
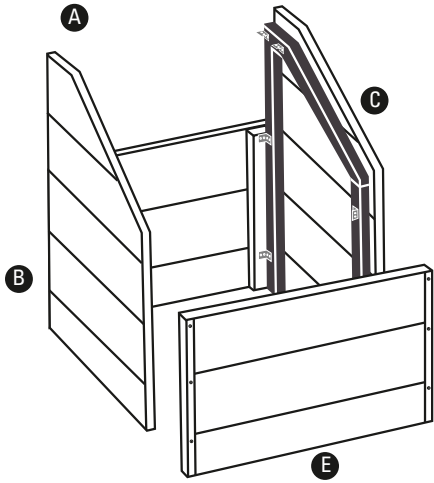
- EN You can use a 3 mm drill bit and make a guide for the screw. This will make the work easier.
- ES Puede utilizar una broca de 3 mm y hacer una guía para el tornillo. Así el trabajo será menos costoso.
- FR Vous pouvez utiliser une mèche de 3 mm et réaliser un guide pour la vis, de façon à simplifier la tâche.
- DE können Sie einen 3-mm-Bohrer benutzen und für die Schraube eine Führung bilden. So ist die Arbeit weniger aufwendig.
- IT È possibile utilizzare un trapano con punta da 3 mm in modo da realizzare una guida per la vite.
Ciò renderà il lavoro più semplice.
- NL Kunt u gebruik maken van een bitje van 3 mm om een een gat voor de schroef voor te boren. Op die manier kost het minder moeite.
- PT Poderá utilizar uma broca de 3 mm e fazer uma guia para o parafuso. Assim, o trabalho será menos difícil.
- PL można użyć wiertła 3 mm i zrobić prowadnicę dla śruby. Znacznie ułatwi to pracę.
- CS Otvor na šroub si můžete předvrtat 3 mm vrtákem. Tím si usnadníte práci.
- SV Du kan använda en 3 mm borkrona och skapa en guide för skruven. Detta underlättar arbetet.

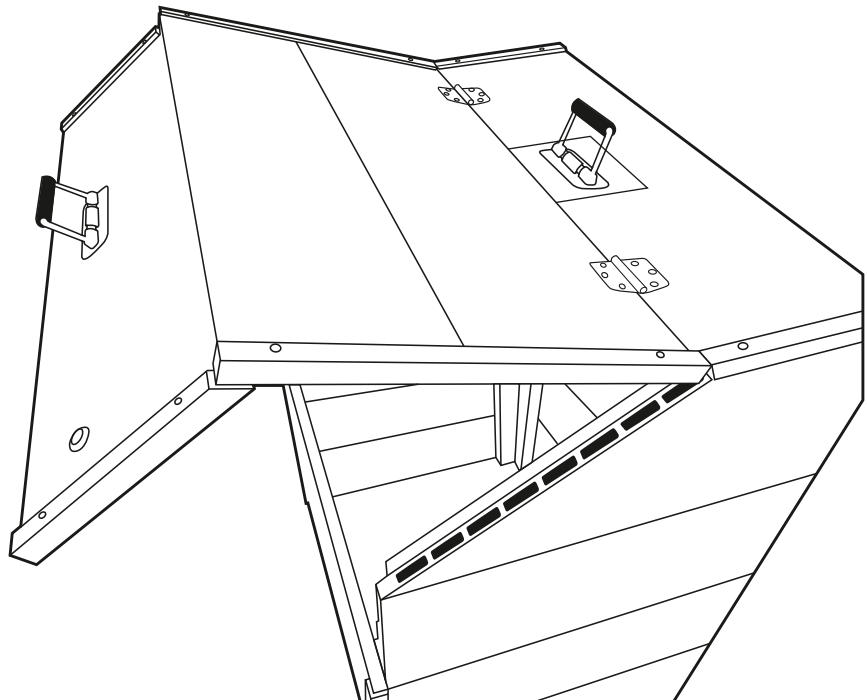
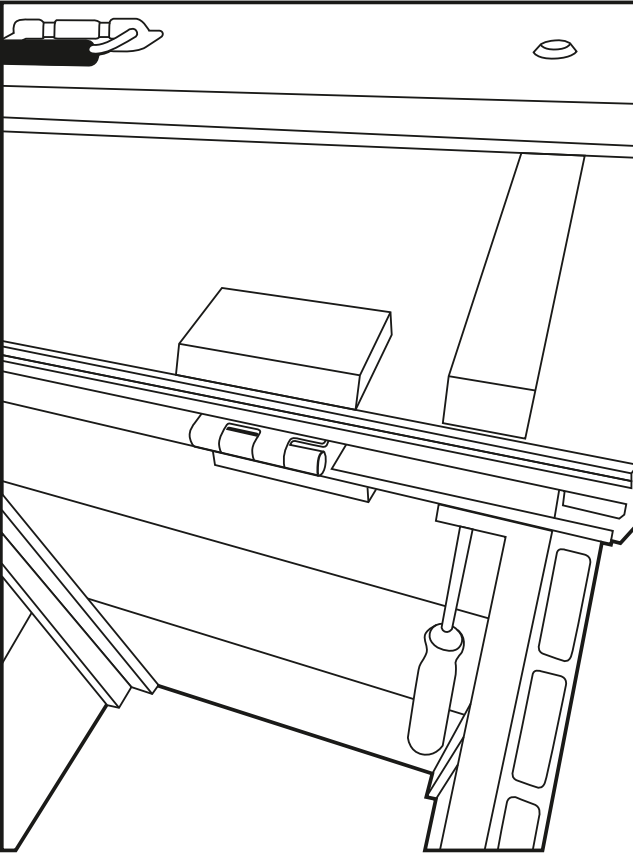
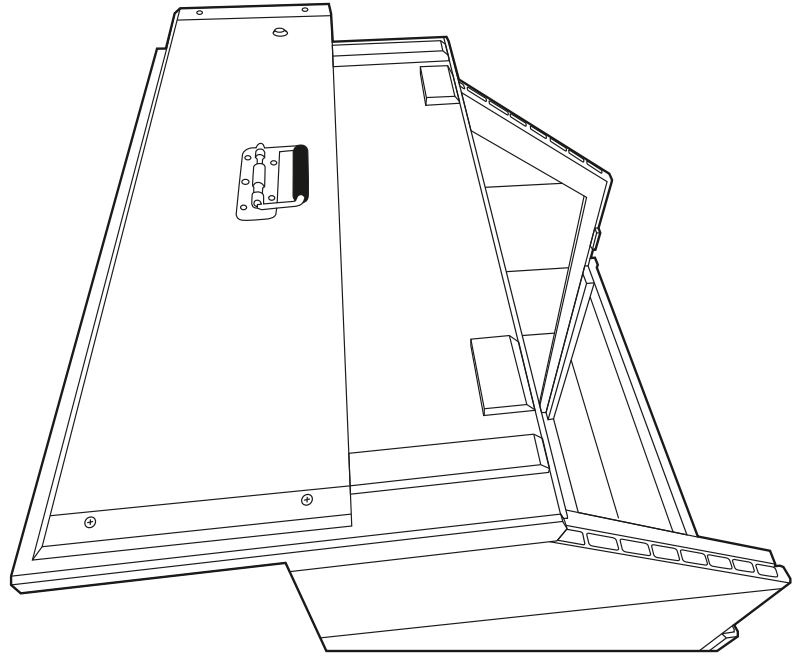
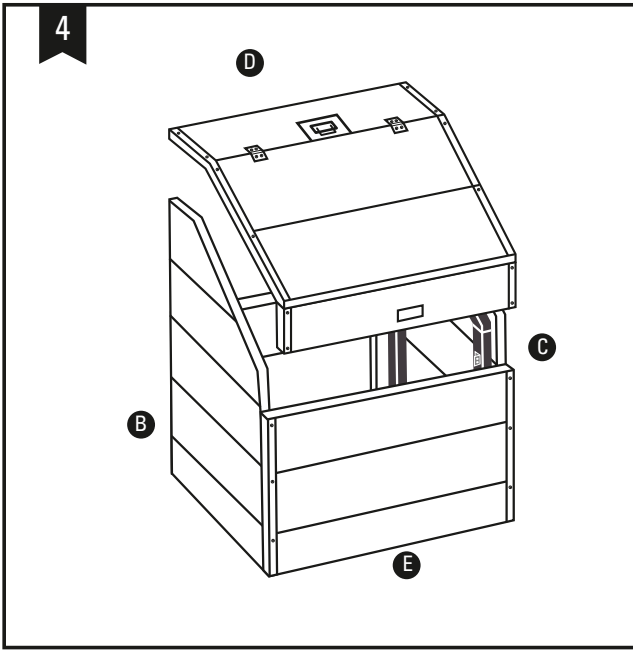


2

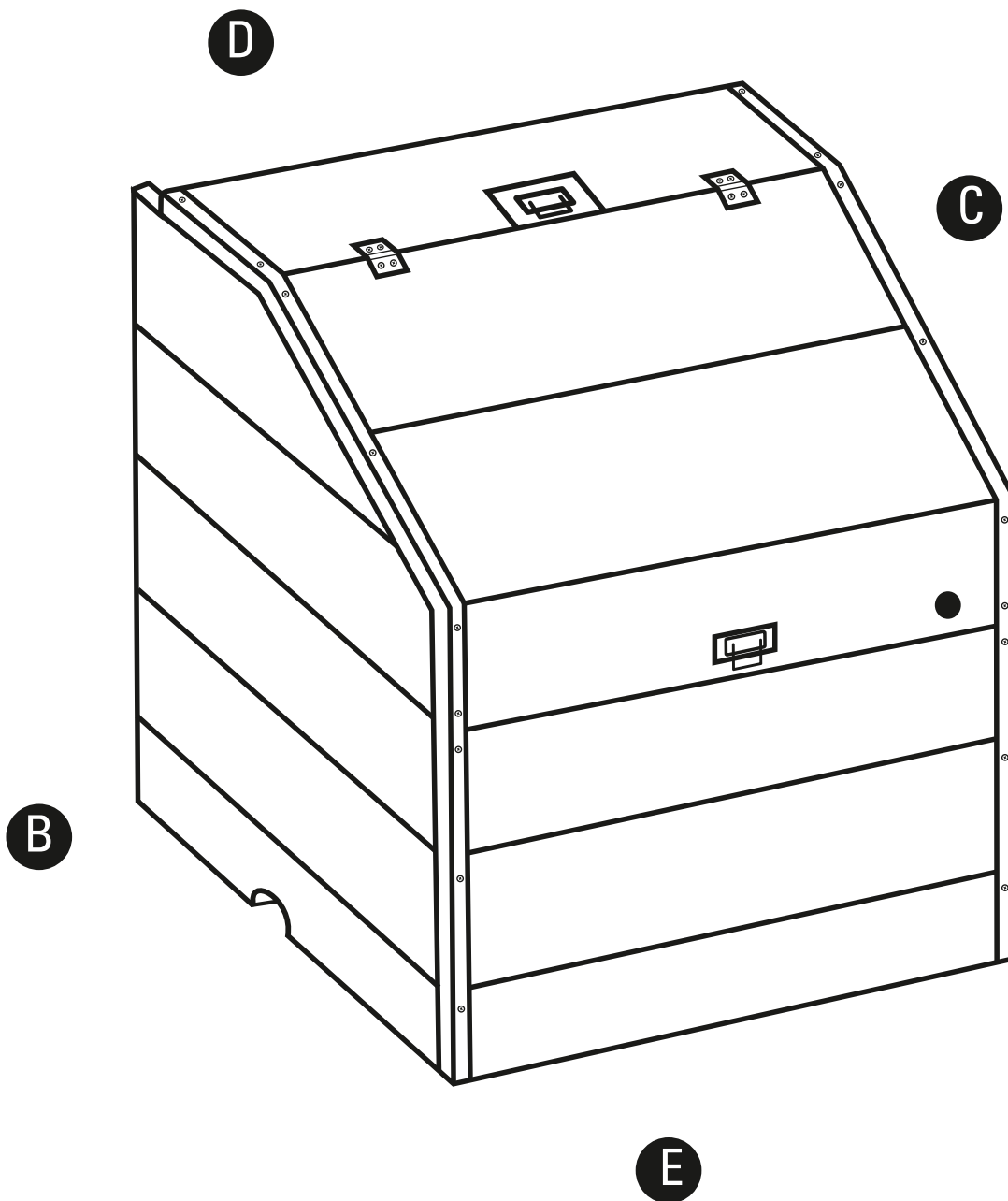
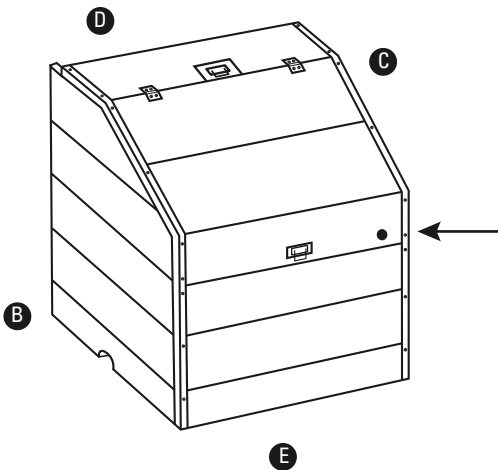


3

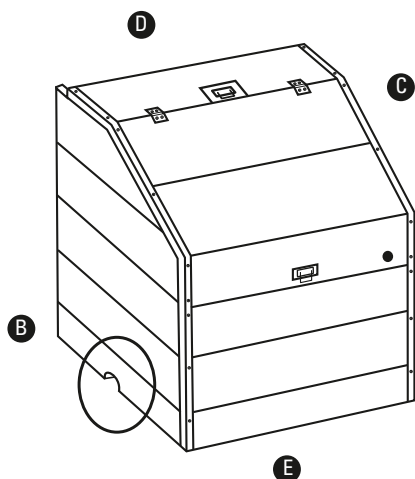




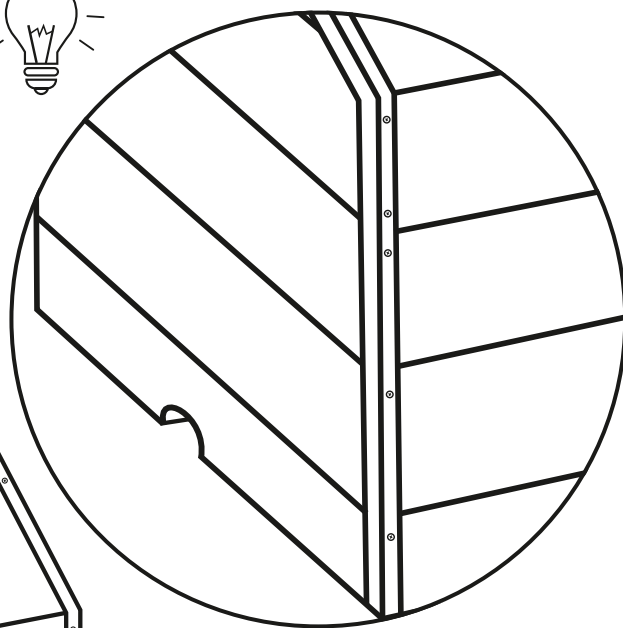
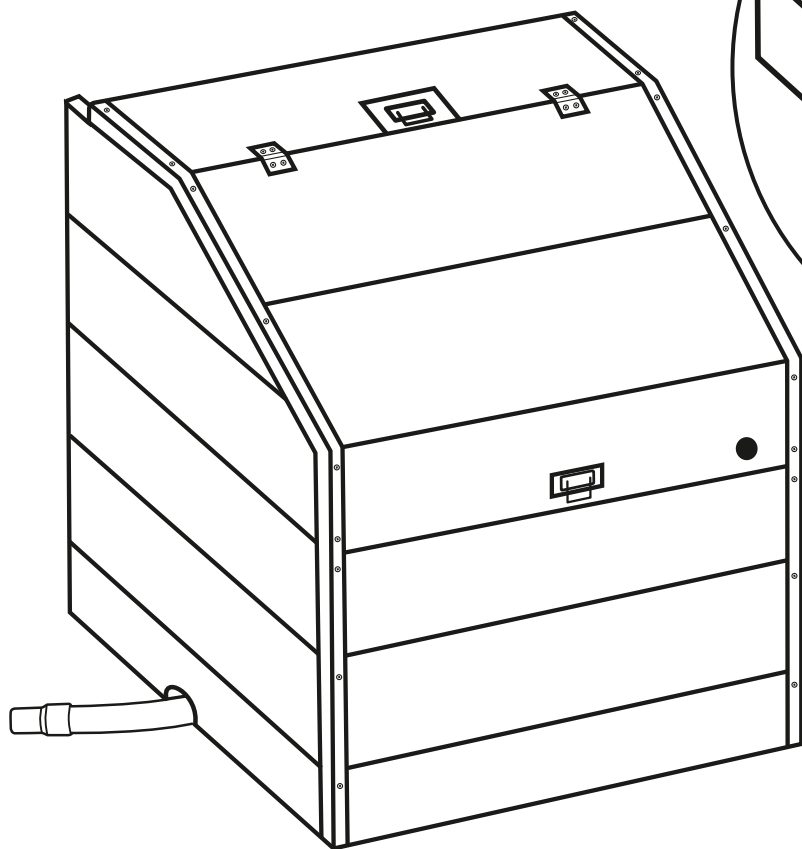
5

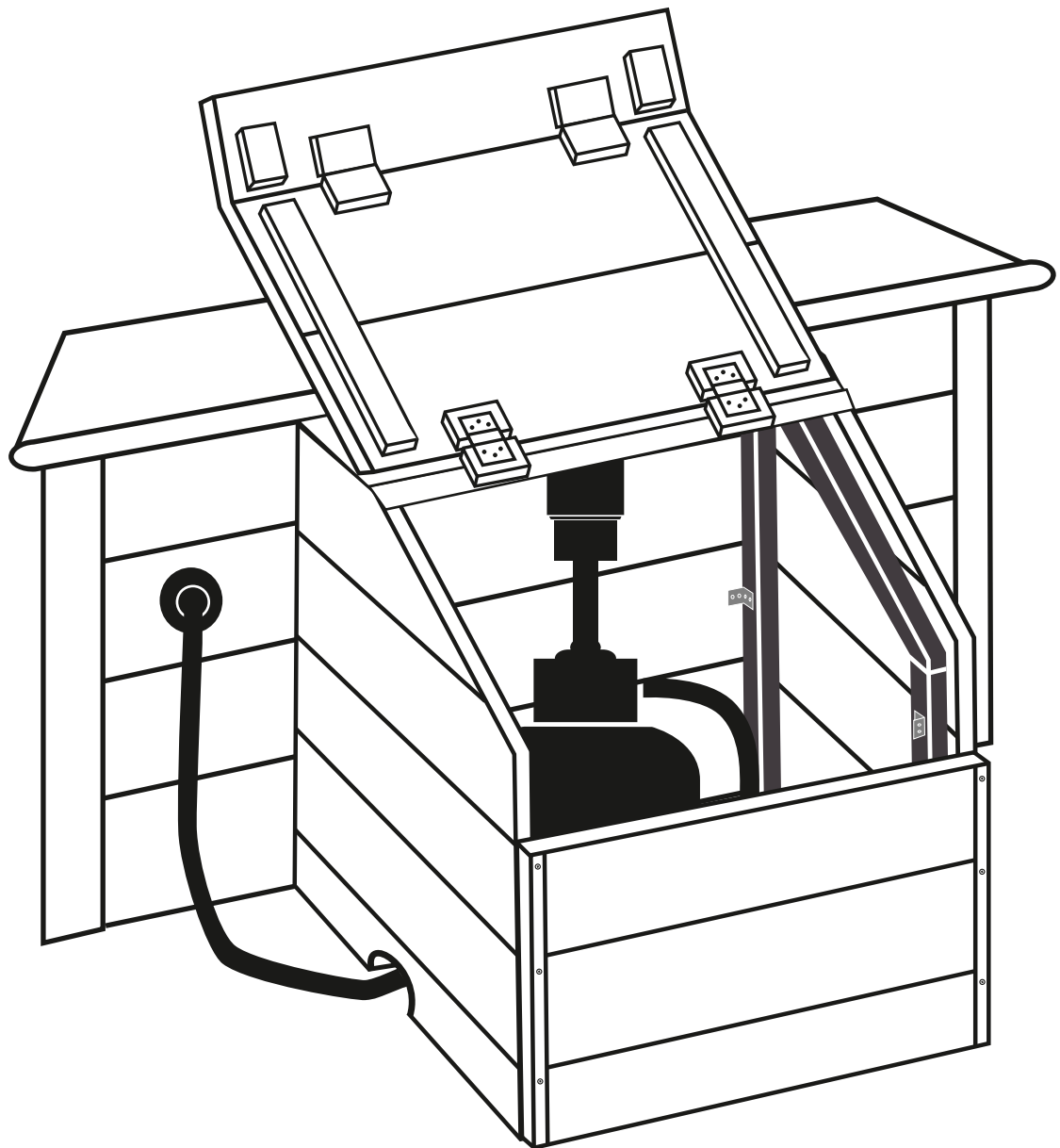


6



- EN HIGH RISK OF BREACKAGE DUE TO IMPROPER HANDLING. NOT COVERED BY THE GUARANTEE
- ES ALTO RIESGO DE ROTURA DEBIDO A UNA INCORRECTA MANIPULACIÓN. NO CUBIERTO POR LA GARANTÍA.
- FR RISQUE ELEVE DE CASSE DUE A UNE MAUVAISE MANIPULATION. NON COUVERT PAR LA GARANTIE
- DE HOHES BRUCHRISIKO WEGEN FALSCHER HANDHABUNG. NICHT DURCH DIE GARANTIE GESCHÜTZT
- IT ALTO RISCHIO DI ROTTURA DOVUTO AD UNA INCORRETTA MANIPOLAZIONE. NON È COPERTO DALLA GARANZIA
- NL HOOG RISICO VOOR OVERLIJDEN ALS GEVOLG VAN ONJUISTE BEHANDELING. NIET GEDEKT DOOR GARANTIE.
- PT ALTO RISCO DE ROTURA POR MANIPULAÇÃO INCORRETA. NÃO CUBERTO PELA GARANTIA.
- PL ISTNIEJE WYSOKIE RYZYKO PEKNIĘCIA W WYNIKU NIEWŁAŚCIWEGO OBCHODZENIA SIĘ Z PRODUKTEM. NIE JEST TO OBJĘTE GWARANCJĄ.
- CS VYSOKÉ RIZIKO PRASKNUTÍ PŘI NESPRÁVNÉ MANIPULACI. NA PRASKNUTÍ SE NEVZTAHUJE ZÁRUKA
- RO HÖG RISK FÖR BRYTNING PÅ GRUND AV FELAKTIG HANTERING. TÄCKS INTE AV GARANTIN





EN

ATTENTION!**Carefully read this information and keep it for later consultations.**

The information appearing in this installation manual shows exactly how it should be done. Nevertheless, the illustrations in the same are to explain the assembly process. Contractual elements will not be considered regarding the shape, the colours and the aspects shown in the illustrations. Manufacturas Gré in its commitment to ongoing improvement of their products, reserves the right to modify at any time and without previous warning the features, the technical details, the standardized equipment and the options of its products.

ES

¡ATENCIÓN!**Lea detenidamente esta información y guárdela para consultarla posteriormente.**

La información que aparece en este manual de instalación se muestra exactamente como se realiza. Sin embargo, las ilustraciones que figuran en el mismo pretenden explicar el proceso de montaje. No se considerarán elementos contractuales en cuanto a las formas, los colores y el aspecto que muestran. En su objetivo constante de mejorar sus productos, Manufacturas Gré se reserva el derecho a modificar en cualquier momento y sin previo aviso las características, los detalles técnicos, los equipamientos estandarizados y las opciones de sus productos.

FR

ATTENTION !**A lire attentivement et à conserver pour consultation ultérieure.**

Les informations figurant dans cette notice de montage s'avèrent exactes lors de sa réalisation. Cependant, les illustrations qui y figurent ont pour objet d'expliquer un processus de montage. Elles ne sauraient être des éléments contractuels quant aux formes, teintes et aspects qu'elles revêtent. Dans le souci constant d'améliorer ses produits, la société Manufacturas Gré se réserve le droit de modifier à tout moment et sans préavis les caractéristiques, détails techniques, équipements standardisés et options de ses produits.

DE

ACHTUNG!**Lesen Sie diese Informationen aufmerksam und bewahren Sie sie auf, um später darin nachzuschlagen.**

Lees deze handleiding aandachtig door en bekijk de illustraties goed voordat u begint met de montage van uw zwembad. Indien de montage niet wordt uitgevoerd in overeenstemming met deze handleiding, zal de garantie nietig zijn in het geval een defect. De informatie die in deze installatiehandleiding te vinden is, toont precies hoe u dat doet. De illustraties die daarin worden getoond, zijn echter alleen bedoeld om het montageproces te verhelderen. De vormen, kleuren en de uiterlijke verschijningsvorm die erin worden getoond kunnen niet als contractuele elementen worden beschouwd. Vanwege het constante streven om hun producten te verbeteren, behoudt het bedrijf Manufacturas Gré zich het recht voor om de kenmerken, technische gegevens, de gestandaardiseerde apparatuur en de mogelijkheden van zijn producten op ieder willekeurig moment en zonder waarschuwing vooraf, aan te passen.

IT

ATTENZIONE**Leggere attentamente queste informazioni e e conservarle per farvi riferimento in futuro.**

Le informazioni contenute nel presente manuale di installazione mostrano esattamente come procedere. Tuttavia, le illustrazioni presenti nello stesso vogliono spiegare il processo di montaggio. Non sono considerate elementi contrattuali per quanto riguarda la forma, il colore o l'aspetto mostrati. Con l'obiettivo costante di migliorare i suoi prodotti, la società Manufacturas Gré si riserva il diritto di modificare un qualsiasi momento e senza preavviso le caratteristiche, i dettagli tecnici, gli accessori standard e gli optional dei suoi prodotti.

NL

LET OP!**Lees deze informatie aandachtig door en bewaar het om het later nog eens terug te kunnen lezen.**

De informatie die in deze installatiehandleiding te vinden is, toont precies hoe u dat doet. De illustraties die daarin worden getoond, zijn echter alleen bedoeld om het montageproces te verhelderen. De vormen, kleuren en de uiterlijke verschijningsvorm die erin worden getoond kunnen niet als contractuele elementen worden beschouwd. Vanwege het constante streven om hun producten te verbeteren, behoudt het bedrijf Manufacturas Gré zich het recht voor om de kenmerken, technische gegevens, de gestandaardiseerde apparatuur en de mogelijkheden van zijn producten op ieder willekeurig moment en zonder waarschuwing vooraf, aan te passen.

PT

ATENÇÃO!**Leia cuidadosamente estas informações e conserve-as para consultas posteriores.**

A informação que consta deste manual de instalação mostra exatamente como a montagem deve ser realizada. Porém, os desenhos que constam do mesmo pretendem explicar o processo de montagem. As formas, as cores e o aspeto que estes mostram não serão considerados elementos contratuais. No seu objetivo constante de melhorar os seus produtos, a sociedade Manufacturas Gré reserva-se o direito de alterar, a qualquer altura e sem prévio aviso, as características, os detalhes técnicos, os equipamentos padronizados e as opções dos seus produtos.

PL

UWAGA!**Należy uważnie przeczytać niniejsze informacje i zachować je do późniejszej konsultacji.**

Informacje zawarte w niniejszej instrukcji montażu pokazują dokładnie, jak należy ją wykonać. Niemniej jednak, ilustracje w niej zawarte mają na celu wyjaśnienie procesu montażu. Elementy umowne nie będą brane pod uwagę w odniesieniu do kształtu, kolorów i aspektów przedstawionych na ilustracjach. Manufacturas Gré w swoim zobowiązaniu do ciągłego ulepszania swoich produktów, zastrzega sobie prawo do zmiany, w dowolnym momencie i bez uprzedzenia, cech, szczegółów technicznych, wyposażenia standardowego i opcji swoich produktów.

CS

POZOR!**Tyto informace si pečlivě prostudujte a uschovejte pro budoucí použití.**

Informace uvedené v této instalační příručce přesně popisují postup práce. Přesto jsou použity také ilustrace pro názorné vysvětlení postupu montáže. Tvar, barvy a další aspekty znázorněné na obrázcích nemusí odpovídat smluvním charakteristikám vašeho výrobku. Výrobce, společnost Manufacturas Gré, který se zavázal k trvalému zlepšování svých výrobků, si vyhrazuje právo kdykoliv provést úpravy vlastností, technických detailů, standardní vybavy a volitelných prvků výrobku bez předchozího upozornění.

SV

OBS!**Läs denna information noggrant och förvara den för senare konsulteringar.**

Informationen i denna installationshandbok visar exakt hur det ska göras. Ändå är illustrationerna i denna för att förklara monteringsprocessen. Avtalsenliga element kommer inte att beaktas när det gäller form, färger och aspekter som visas i illustrationerna. Manufacturas Gré i sitt åtagande att ständigt förbättra sina produkter, förbehåller sig rätten att när som helst och utan föregående varning modifiera funktionerna, de tekniska detaljerna, den standardiserade utrustningen och de olika alternativen för sina produkter.

GUARANTEE

Keep your manual with the serial number and the purchase justification (payment receipt) for any type of reclamation.

Any reclamation against guarantee should be made by an online declaration, via the www.service-gre.com website, together with receipt of purchase.

You may be asked for photographs to justify the claim. No returns of material will be accepted without previous agreement. The client will support all costs of all returns of goods, (packaging and transport).

AFTER VERIFICATION AND CONFIRMATION OF A MANUFACTURING DEFECT

- The products that effectively show defects will be repaired or will be replaced free of transport costs.
- An estimate will be provided for the products not included in the guarantee. After the client has accepted the estimate the parts will be delivered.

The guarantee is limited to the repair or replacement of the defective part. It does not include, under any circumstance, the payment of compensation for harm and damages.

THE GUARANTEE IS NOT APPLICABLE IN THE FOLLOWING SITUATIONS:

- Use of materials that do not comply to our instructions.
- Damages caused by mishandling or an installation not complying with the instructions

IMPORTANT:

Manufacturas Gré interchanges components in exchange for others to be verified.

If, after the verification no anomaly or dysfunction is detected, Manufacturas Gré reserves the right to invoice the client for the cost for transport and other diverse expenses.

DURATION OF THE GUARANTEE: 2 years.

AFTER SALES SERVICE IN GUARANTEE:

(After justification and receipt of purchase)

- DELIVERY costs will be supported by the client.
- RETURN transport costs will be paid by Manufacturas Gré (for those parts covered by the guarantee plan).
- Changing of COMPOSITE after visual verification.
- Parts or components from Manufacturas Gré.
- Period for change: 8 business days In the context of replacing a defective component, the disassembly and assembly is not the responsibility of Manufacturas Gré.

AFTER SALES SERVICE WITHOUT GUARANTEE:

- Delivery / return costs will be supported by the client.
- The parts will be invoiced according to the current price list.

GARANTÍA

Para cualquier reclamación o servicio posventa, guarde su manual con el número de serie junto con el justificante de compra (ticket de caja).

Para cualquier demanda de garantía deberá ponerse en contacto a través de nuestra web www.service-gre.com, junto con el justificante de compra. Se pueden solicitar fotografías para justificarlo. No se aceptará ninguna devolución de mercancía sin acuerdo previo. El cliente correrá con los costes de todas las devoluciones de mercancía (embalaje y transporte).

TRAS LA VERIFICACIÓN Y LA CONSTATAción DE UN DEFECTO DE FABRICACIÓN.

- Los productos que efectivamente presenten defectos se repararán o se sustituirán con los portes pagados.
- Los productos que estén fuera de garantía se someterán a un presupuesto. Una vez que el cliente haya aceptado el presupuesto se le enviarán las piezas.

La garantía se limita a la reparación o a la sustitución de la pieza defectuosa. No implica en ningún caso una demanda de indemnizaciones o de daños y perjuicios.

NO SE APLICA LA GARANTÍA EN LAS SIGUIENTES SITUACIONES:

- Utilización de materiales no conformes a nuestras instrucciones.
- Daños provocados por una manipulación errónea o de una instalación no conforme.

IMPORTANTE:

La sociedad Manufacturas Gre intercambia componentes a cambio de otros para su peritaje.

Si después del peritaje no se detecta ninguna anomalía o disfunción, la sociedad Manufacturas Gre se reserva el derecho de facturar los costes de portes y otros diversos al cliente.

DURACIÓN DE LA GARANTÍA: 2 años.

SERVICIO POSVENTA EN GARANTÍA:

(Previa justificación y prueba de compra)

- Portes de ENVÍO por cargo del cliente.
- Portes de RETORNO por cuenta de Manufacturas Gre (para aquellas piezas comprendidas en el esquema de la garantía).
- Cambio de COMPOSITE previa justificación visual.
- Piezas o componentes por cuenta de Manufacturas Gré.
- Plazo de cambio: 8 días laborables. En el contexto de la sustitución de un componente defectuoso, el montaje y el desmontaje no corren por cuenta de Manufacturas Gre.

SERVICIO POSVENTA SIN GARANTÍA:

- Portes de envío / retorno por cargo del cliente.
- Las piezas se facturarán según nuestras tarifas vigentes.

FR

GARANTIE

Pour toute réclamation/SAV, conservez votre notice avec le N° de série ainsi que votre preuve d'achat (ticket de caisse).

Toute demande de garantie devra faire l'objet d'une déclaration en ligne sur le site: www.service-gre.com, accompagnée de la preuve d'achat.

Des photos pourront être demandées pour justificatif. Aucun retour de marchandise ne sera accepté sans accord préalable. Tout retour de marchandise est à la charge du client (emballage et transport).

APRES VERIFICATION ET CONSTATATION D'UN DEFAUT DE FABRICATION :

- Les produits effectivement défectueux seront réparés ou échangés et remplacés en port payé.
- Les produits hors-garantie feront l'objet d'un devis. Après acceptation de ce devis par le client, les pièces lui seront expédiées.

La garantie se limite à la réparation ou au remplacement de la partie défectueuse. Elle n'implique en aucun cas une demande d'indemnités ou de dommages et intérêts.

LA GARANTIE NE S'APPLIQUE PAS DANS LES CAS SUIVANTS :

- Utilisation du matériel non conforme à nos instructions.
- Dommages provoqués par une mauvaise manipulation ou un montage non conforme.

IMPORTANT :

La société Manufacturas Gré effectue des échanges de composants contre reprise pour expertise.

Si, après expertise, aucune anomalie ou dysfonctionnement n'est avéré, la société Manufacturas Gré se réserve le droit de facturer les frais de port et autres frais divers au client.

DURÉE DE LA GARANTIE : 2 ans.

SAV SOUS GARANTIE :

(sur justificatif et preuve d'achat)

- Port ALLER à la charge du client.
- Port RETOUR à la charge de Manufacturas Gré (pour les pièces entrant dans le cadre de la garantie).
- Echange de COMPOSITE sur justificatifs visuels.
- Pièces ou composants à la charge de Manufacturas Gré.
- Délai d'échange : 8 jours ouvrables. Dans le cadre du remplacement d'un composant défectueux, le montage et le démontage ne sont pas pris en charge par Manufacturas Gré.

SAV HORS GARANTIE :

- Port Aller/Retour à la charge du client.
- Les pièces seront facturées selon notre tarif en vigueur.

DE

GARANTIE

Für etwaige Beanstandungen oder Kundendienst bewahren Sie Ihr Handbuch mit der Seriennummer sowie dem Kaufbeleg (Quittung) auf.

Jegliche Garantieansprüche müssen online auf der Web eite www.service-gre.com, zusammen mit dem Kaufbeleg, geltend gemacht werden. Es können Fotos angefordert werden, um diesen Anspruch zu rechtfertigen. Eine Warenrücknahme ohne vorhergehende Vereinbarung wird nicht akzeptiert. Der Kunde trägt die Kosten für alle Warenrücksendungen (Verpackung und Transport).

NACH PRÜFUNG UND FESTSTELLUNG EINES FABRIKATIONSFEHLERS.

- Produkte, die tatsächlich Fehler aufweisen, werden repariert oder frachtfrei ersetzt.
- Für Produkte, die nicht unter die Garantie fallen, wird ein Kostenvoranschlag erstellt. Sobald der Kunde den Kostenvoranschlag akzeptiert hat, werden ihm die Teile zugeschickt.

Die Garantie ist auf die Reparatur oder den Ersatz des fehlerhaften Teils begrenzt. Sie bedeutet auf keinen Fall eine Schadensersatzforderung.

IN FOLGENDEN FÄLLEN KOMMT DIE GARANTIE NICHT ZUM EINSATZ:

- Einsatz von Material, das nicht unseren Vorgaben entspricht.
- Schäden, die durch unsachgemäße Handhabung oder nicht vorschriftsmäßige Montage verursacht werden.

WICHTIG:

Das Unternehmen Manufacturas Gré tauscht Bauteile gegen andere aus, um ein Gutachten zu erstellen. Sollte nach Erstellung des Gutachtens keine Abweichung oder Fehlfunktion entdeckt werden, so behält sich das Unternehmen Manufacturas Gré das Recht vor, Transportkosten und sonstige Gebühren dem Kunden in Rechnung zu stellen.

LAUFZEIT DER GARANTIE: 2 Jahre

KUNDENDIENST MIT GARANTIE:

(nach vorheriger Rechtfertigung und mit Kaufnachweis)

- Transportkosten für den VERSAND zu Lasten des Kunden.
- Transportkosten für die RÜCKSENDUNG zu Lasten von Manufacturas Gré (für Teile, die unter die Garantie fallen).
- Austausch von COMPOSITE nach visuellen Nachweisen vorab.
- Teile oder Bauteile zu Lasten von Manufacturas Gré.
- Frist für den Austausch: 8 Werktage. In Zusammenhang mit dem Austausch eines defekten Bauteils gehen Montage und Demontage nicht zu Lasten von Manufacturas Gré.

KUNDENDIENST OHNE GARANTIE:

- Transportkosten für Versand / Rücksendung zu Lasten des Kunden.
- Die Teile werden gemäß unseren geltenden Tarifen in Rechnung gestellt.

IT

GARANZIA

In caso di reclami o per assistenza post vendita, conservare il manuale con il numero di serie insieme alla prova di acquisto (scontrino).

Qualsiasi richiesta di garanzia deve essere inoltrata on line, tramite la pagina web www.service-gre.com, allegando lo scontrino.

Possono essere richieste fotografie come prova. Non si accetta la restituzione della merce salvo previo accordo. Il cliente si farà carico di tutte le spese di restituzione della merce (imballaggio e trasporto).

DOPO LA VERIFICA E LA CONSTATAZIONE DI UN DIFETTO DI FABBRICAZIONE.

- I prodotti che presentano effettivamente dei difetti saranno riparati o sostituiti con porto pagato.
- I prodotti al di fuori del periodo di garanzia saranno oggetto di preventivo. Dopo l'accettazione del preventivo da parte del cliente, gli saranno inviati i pezzi.

La garanzia si limita alla riparazione o alla sostituzione del pezzo difettoso. Non è contemplata in alcun caso una richiesta di indennizzo o di danni.

LA GARANZIA NON È APPLICATA NEI SEGUENTI CASI:

- Utilizzo del materiale in modo non conforme alle nostre istruzioni
- Danni provocati da una manipolazione errata o da un'installazione non conforme.

IMPORTANTE:

La società Manufacturas Gré cambia un componente a condizione che venga svolta una perizia. Se in seguito alla perizia non viene evidenziata nessuna anomalia o mal funzionamento, la società Manufacturas Gré si riserva il diritto di fatturare al clienti i costi di porto ed eventuali altri.

DURATA DELLA GARANZIA: 2 anni

SERVIZIO POST VENDITA IN GARANZIA

(Previa giustificazione e prova di acquisto)

- Trasporto di invio a carico del cliente.
- Trasporto di reso a carico di Manufacturas Gré (per i pezzi compresi nella garanzia).
- Cambio del COMPOSITE previa giustificazione visiva.
- Pezzi o componenti a carico di Manufacturas Gré.
- Tempi di sostituzione: 8 giorni lavorativi. Nel caso di sostituzione di un componente difettoso, il montaggio e lo smontaggio non sono a carico di Manufacturas Gré.

SERVIZIO POST VENDITA SENZA GARANZIA:

- Trasporto di invio e di reso a carico del cliente.
- I pezzi saranno fatturati in base alle tariffe vigenti.

NL

GARANTIE

Voor iedere claim of after-sales service, uw handleiding met het serienummer tezamen met het aankoopbewijs (factuur, kassabon) gereedhouden.

Elke aanspraak op garantie zal onderwerp zijn van een online declaratie, via de website www.service-gre.com, tezamen met het aankoopbewijs.

Er kunnen foto's worden verlangd ter justificatie. Er worden geen geretourneerde goederen geaccepteerd zonder goedkeuring vooraf. De klant zal verantwoordelijk zijn voor alle kosten bij het retourneren van goederen (verpakking en verzending).

NA VERIFICATIE EN CONTRA-EXPERTISE VAN EEN FABRICAGEFOUT.

- De producten die daadwerkelijk defecten vertonen worden gerepareerd of tegen verzendkosten vervangen
- De producten die buiten de garantie vallen zijn onderhevig aan een raming. Zodra de klant het bedrag heeft geaccepteerd worden de onderdelen verstuurd.

De garantie beperkt zich tot reparatie of vervanging van het defecte onderdeel. In geen geval wordt er een vergoeding gegeven voor geleden schade en ongemakken.

DE GARANTIE IS NIET VAN TOEPASSING IN DE VOLGENDE SITUATIES:

- Gebruik van materialen die niet overeenkomen met onze instructies.
- Schade die is veroorzaakt door verkeerde behandeling of onjuiste installatie.

BELANGRIJK:

Het bedrijf Manufacturas Gré ruilt onderdelen voor andere voor expertise.

Als bij expertise geen afwijking, storing of defect wordt gevonden, behoudt het bedrijf Manufacturas Gré zich het recht voor om de verzend- en andere kosten in rekening te brengen bij de klant.

DUUR VAN DE GARANTIE: 2 jaar.

AFTER SALES SERVICE MET GARANTIE:

(Na rechtvaardiging vooraf en met bewijs van aankoop)

- Porto voor VERZENDEN op kosten van de klant.
- Porto voor RETOURNEREN op kosten van Manufacturas Gré (voor die onderdelen die onder het garantieschema vallen).
- Ruilen van COMPOSITE delen na voorafgaande visuele rechtvaardiging.
- Componenten of onderdelen voor rekening van Manufacturas Gré.
- Inruiltermijn: 8 werkdagen. Binnen de context van de vervanging van een defect component, geschied het monteren en demonteren niet op rekening van Manufacturas Gré.

AFTER SALES SERVICE ZONDER GARANTIE:

- Porto voor verzenden / retourneren op kosten van de klant.
- Onderdelen worden gefactureerd volgens de geldende tarieven.

GARANTIA

Para qualquer reclamação ou serviço pós-venda, conserve o seu manual com o número de série, juntamente com o comprovativo de compra (ticket de caixa).

Qualquer reclamação de garantia deverá ser objeto de uma declaração online, no site www.service-gre.com, juntamente com o comprovativo de compra.

Podem ser requeridas fotografias para justificá-lo. Não será aceite nenhuma devolução de mercadoria sem acordo

prévio. O cliente assumirá os custos de todas as devoluções de mercadoria (embalagem e transporte).

AÓS A VERIFICAÇÃO E A CONSTATAÇÃO DE UM DEFEITO DE FABRICO

- Os produtos que efetivamente apresentem defeitos serão reparados ou substituídos com os portes pagos.
- Os produtos que estejam fora de garantia serão submetidos a um orçamento. Quando o cliente tiver aceitado o orçamento, as peças ser-lhe-ão enviadas.

A garantia limita-se à reparação ou à substituição da peça defeituosa. Em nenhum caso, implicará uma ação de indemnização ou de perdas e danos.

A GARANTIA NÃO SERÁ APLICADA NAS SITUAÇÕES SEGUINTE:

- Utilização de materiais não conformes às nossas instruções.
- Danos causados por um manuseamento errado ou por uma instalação não conforme.

IMPORTANTE:

A sociedade Manufacturas Gré substitui componentes em troca de outros para a sua peritagem.

Se depois da peritagem não for detetada qualquer anomalia ou disfunção, a sociedade Manufacturas Gré reserva-se-á o direito de faturar os custos de portes e outros diversos ao cliente.

DURAÇÃO DA GARANTIA: 2 anos.

SERVIÇO PÓS-VENDA EM GARANTIA:

(Após comprovação e prova de compra)

- Portes de ENVIO a cargo do cliente.
- Portes de RETORNO por conta da Manufacturas Gré (para aquelas peças abrangidas no esquema da garantia).
- Mudança de COMPOSITE após comprovação visual.
- Peças ou componentes por conta da Manufacturas Gré.
- Prazo de substituição: 8 dias úteis. No contexto da substituição de um componente defeituoso, a montagem e a desmontagem não correm por conta da Manufacturas Gré.

SERVIÇO PÓS-VENDA SEM GARANTIA:

- Portes de envio / retorno a cargo do cliente.
- As peças serão faturadas de acordo com o nosso tarifário em vigor.



DISTRIBUTED BY / DISTRIBUIDO POR / DISTRIBUÉ PAR / VERTRIEB DURCH / DISTRIBUITO DA / DISTRIBUÍDO POR:
MANUFACTURAS GRE, S.A. ARITZ BIDEA Nº 57 BELAKO INDUSTRIALDEA, APARTADO 69 - 48100 MUNGUIA (VIZCAYA) ESPAÑA Nº Reg. Ind. 48-06762
MADE IN CHINA / FABRICADO EN CHINA / FABRIQUÉ AU CHINE / HERGESTELLT IN CHINA / PRODOTTO IN CHINA / FABRICADO NA RPC

IF YOU HAVE ANY PROBLEM, CONTACT US!		www.grepool.com/en/after-sales
SI TIENES ALGUN PROBLEMA, ¡CONSULTENOS!	España	www.grepool.com/post-venta
EN CAS DE PROBLEME, NOUS CONSULTER!	France Belgie	www.grepool.com/fr/apres-vente
SOLLTEN SIE PROBLEME HABEN, ZÖGERN SIE BITTE NICHT, UNS ZU KONTAKTIEREN!	Deutschland	www.grepool.com/de/kundenservice
PER OGNI VOSTRA EVENTUALE OCCORRENZA, INTERPELLATECI!	Italia	www.grepool.com/it/post-vendita
MOCHT U EEN PROBLEEM HEBBEN, ... ¡RAADPLEEG ONS!	Nederlands	+31 513 62 66 66 service@aqua-fun.info
EM CASO DE PROBLEMA, ¡CONSULTAR-NOS!	Portugal	www.grepool.com/post-venta

DISTRIBUTED BY:
MANUFACTURAS GRE. S.A.
ARITZ BIDEA Nº57, BELAKO INDUSTRIALDEA
48100 MUNGIA (BIZKAIA) · ESPAÑA
www.grepool.com
Nº REG. IND.: 48-06762

We reserve to change all of part of the articles or contents of this document, without prior notice.

Nos reservamos el derecho de cambiar total o parcialmente las características de nuestros artículos o contenido de este documento sin previo aviso.

Nous nous réservons le droit de modifier totalement ou en partie les caractéristiques de nos articles ou le contenu de ce document sans pré avis.

Wir behalten uns das recht vor die eigenschaften unserer produkte oder den inhalt diese prospektes teilweise oder wollstanding, ohne vorherige benachichtigung su andern.

Ci riservamo il diritto di cambiare totalmente o parzialmente le caratteristiche tecniche dei nostri prodotti ed il contenuto di questo documento senza nessun preavviso.

Wij behouden ons het recht voor geheel of gedeeltelijk de kenmerken van onze artikelen of de inhoud van deze handleiding zonder voorafgaand bericht te wijzigen.

Reservamo-nos no dereito de alterar, total ou parcialmente as características os nossos artigos ou o conteúdo deste documento sem aviso prévio.