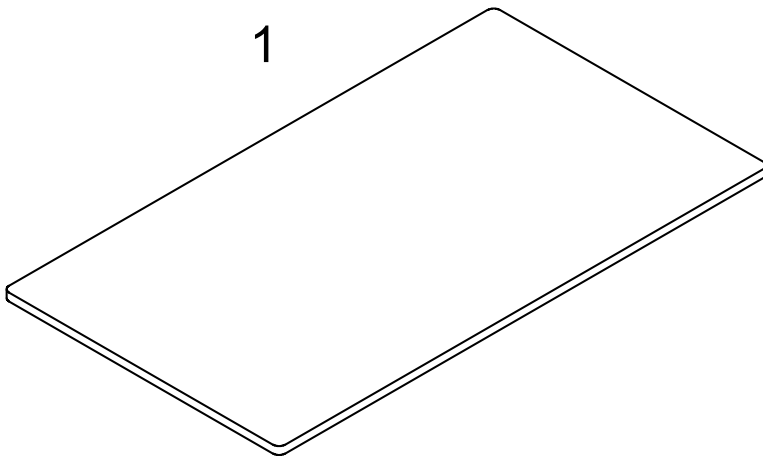
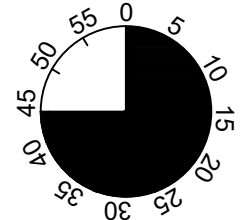
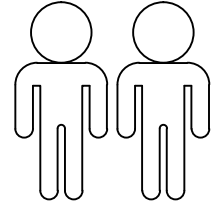
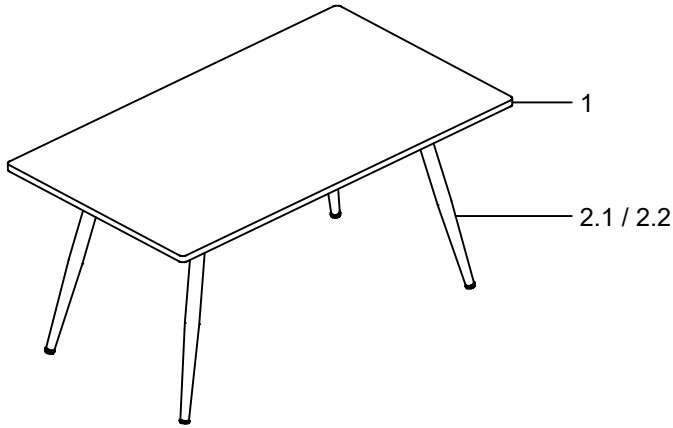
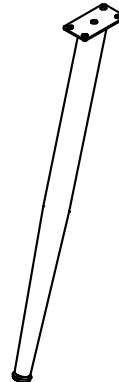


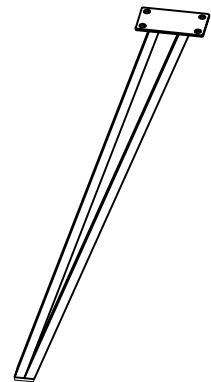
# G 093 / G 112



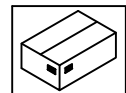
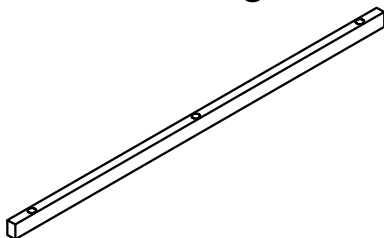
2.1



2.2



3

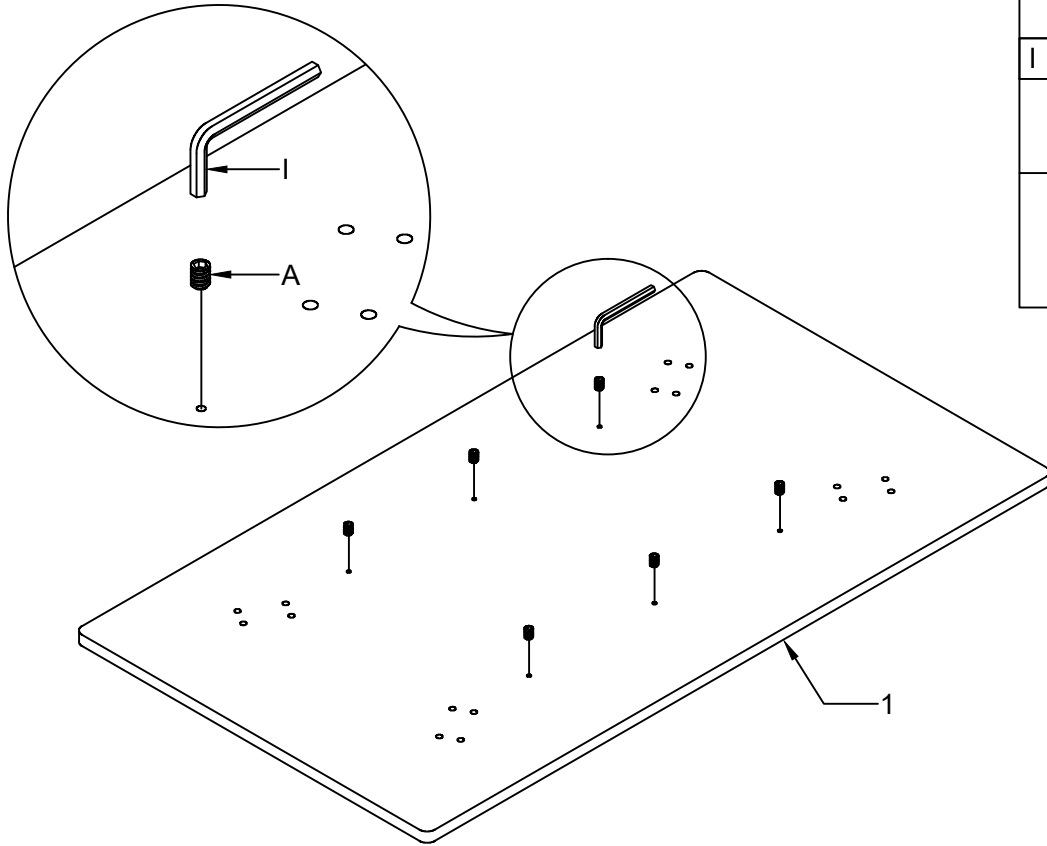





1	1X	1/2
2.1/2.2	4X	2/2
3	2X	2/2

A	M6x12 6x	B	M8x12 16x	C	M6x35 6x	D	M8x16 16x	E	Ø18xØ8x1.5 16x	F	Ø25 (2.2) 4x
G	Ø18xØ6x2.5 2x	H	5MM 1x	I	6MM 1x	J	8MM 1x				

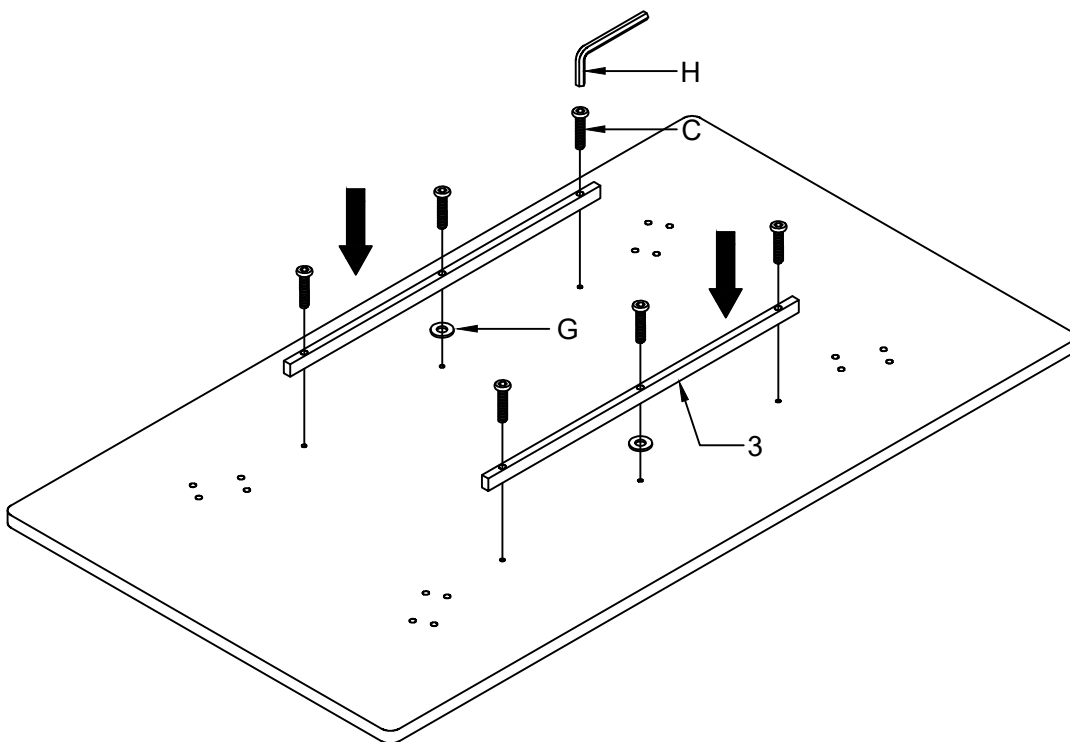
I.





1.



A	M6x12
	6x
I	6MM
	1x
	

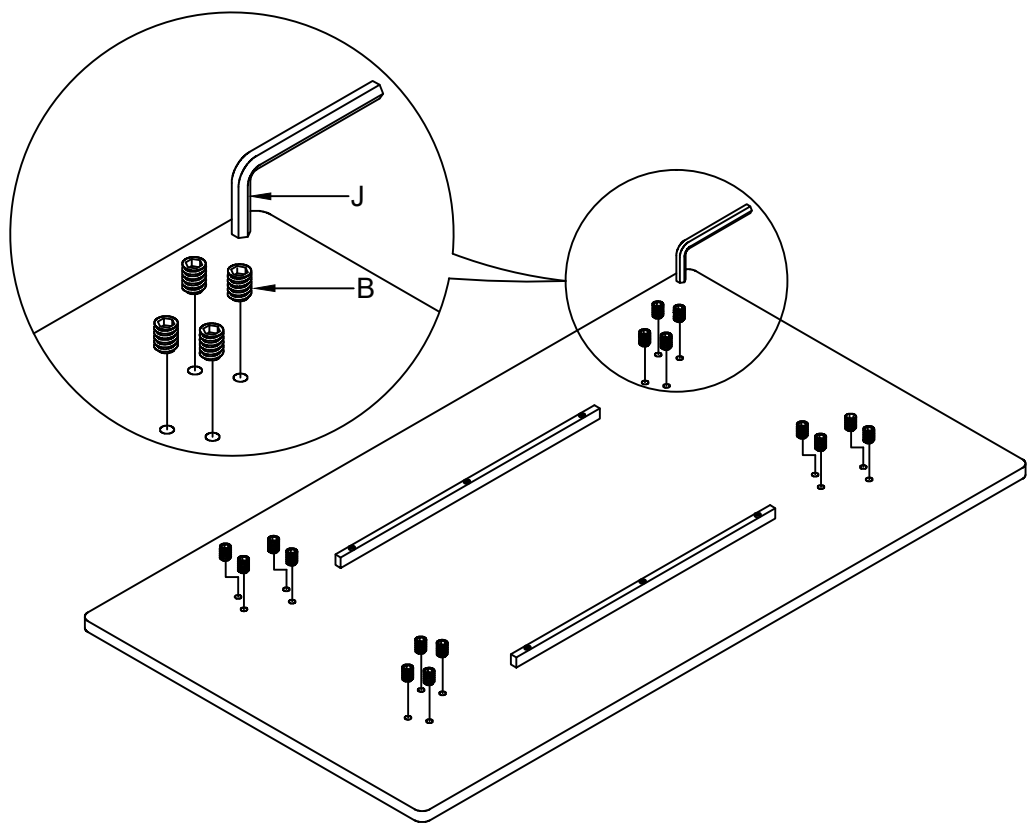
2.


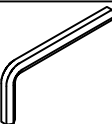



G	Ø18xØ6x2.5	C	M6x35
	2x		6x
		H	5MM
			1x
			

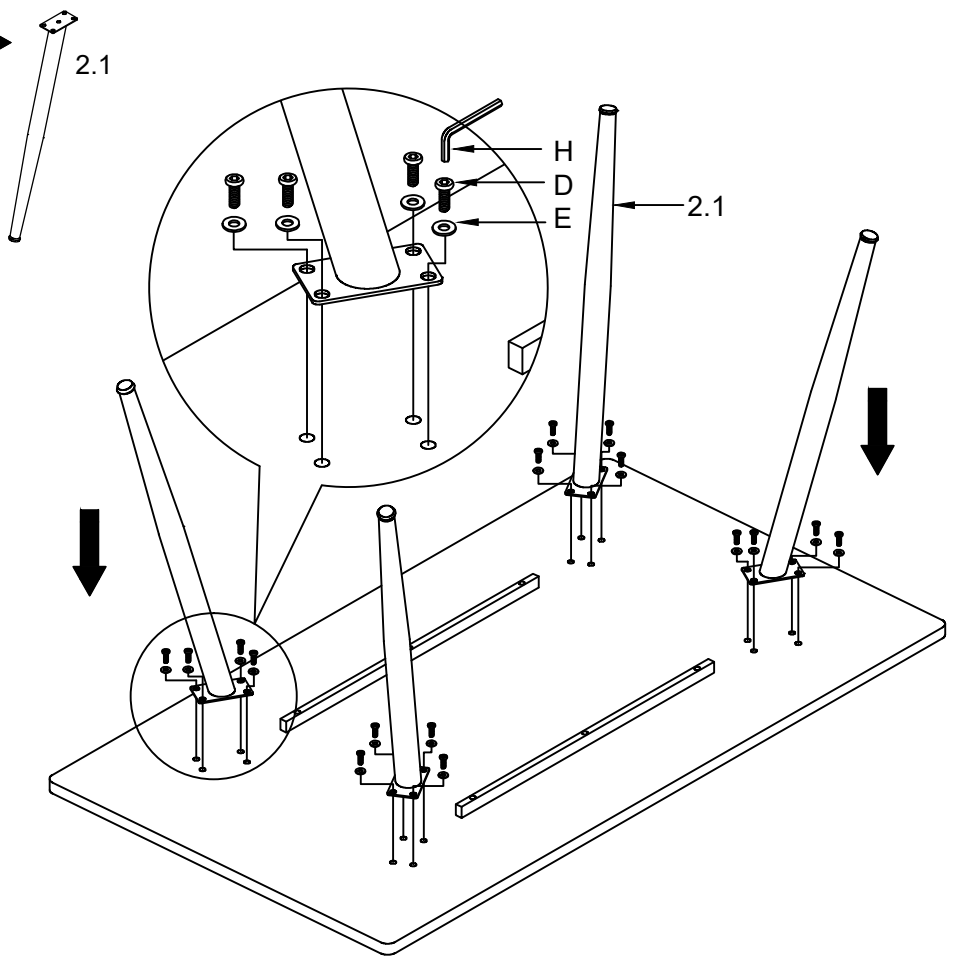
II.

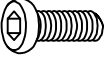


3.



B	M8x12
	16x
J	8MM
	1x
	

4.1 →



D	M8x16
	16x
E	Ø18xØ8x1.5
	16x
H	5MM
	1x
