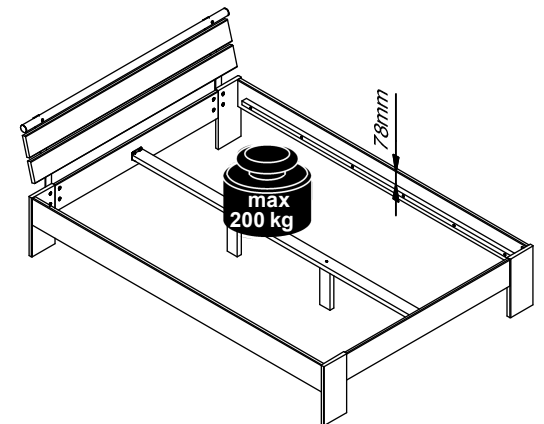


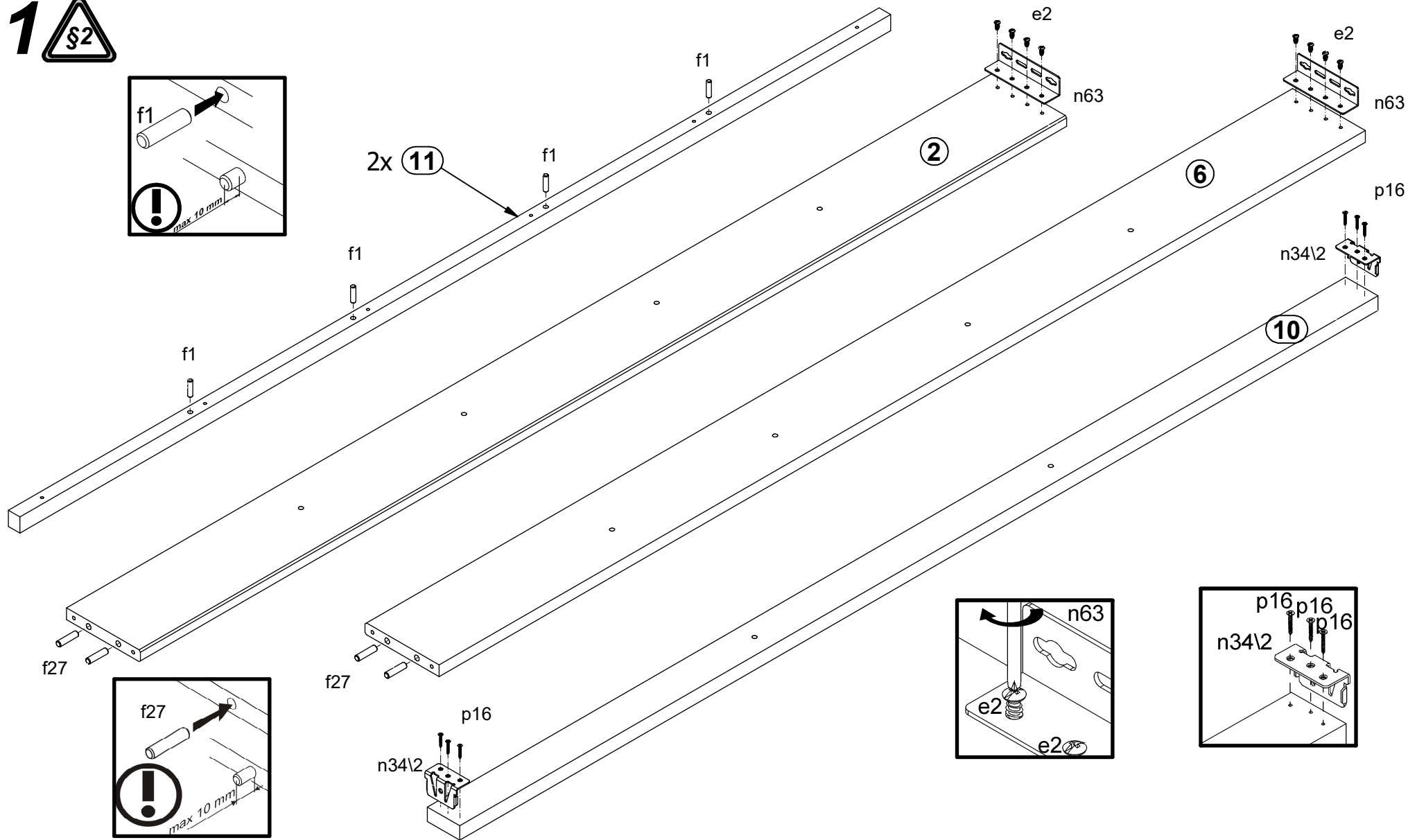
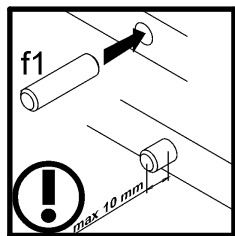
A	B	C (mm)			D
1	L132-5001	1400	120	22	1/2
2	L133-1001	2000	160	22	2/2
3	L133-1002	1130	160	18	1/2
4	L133-1003	352	161	22	1/2
5	L133-1004	352	161	22	1/2
6	L133-1005	2000	160	22	2/2
7	L133-1006	352	161	22	1/2
8	L133-1007	352	161	22	1/2
9	MZ1-705	242	70	27	2/2
10	ZZ1-719	1983	70	27	2/2
11	ZZ1-792	1880	25	30	2/2



D
1/2

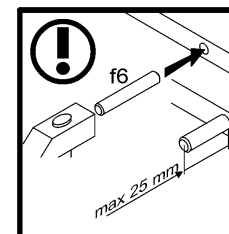
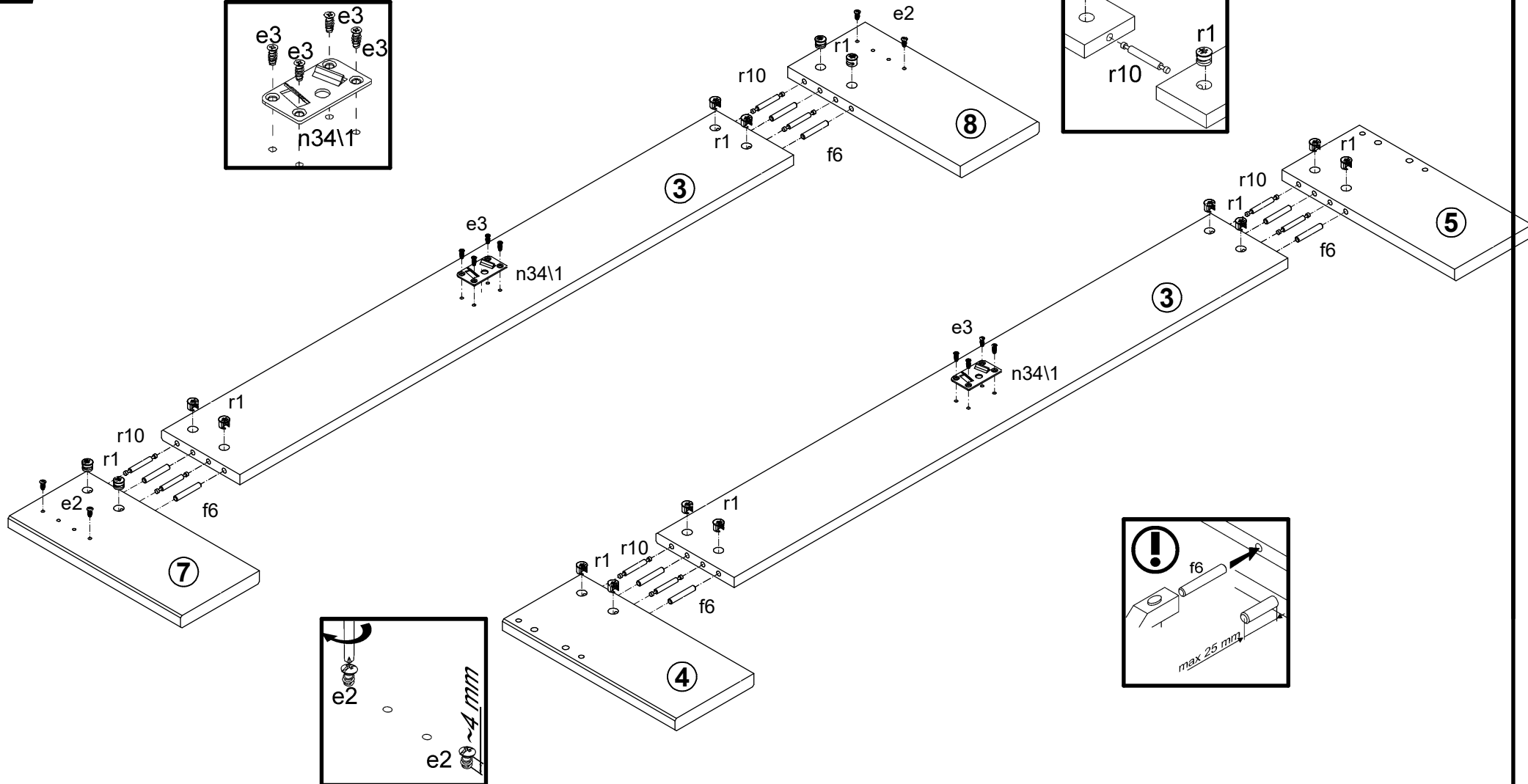
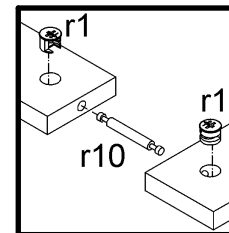
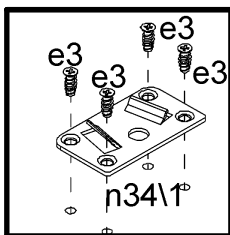
16x Ø6.3x13 mm e2	8x Ø6x13 mm e3	6x Ø7x70 mm e27	8x Ø8x30 mm f1	4x Ø10x40 mm f27	8x Ø8x50 mm f6	2x M6x13 mm j21	2x n34/1	2x n34/2	2x 130x34x34/2 mm n63	2x n269	1x Ø45x1400 mm n270	16x Ø15x12 mm #16 r1
8x r10	12x Ø4x45 mm p11	6x Ø3.5x25 mm p16	16x Ø4x25 mm p36	14x Ø5x20 mm p45	1x 4 mm z1							







1



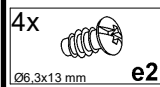
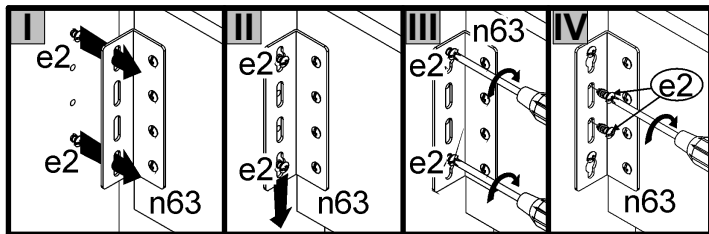
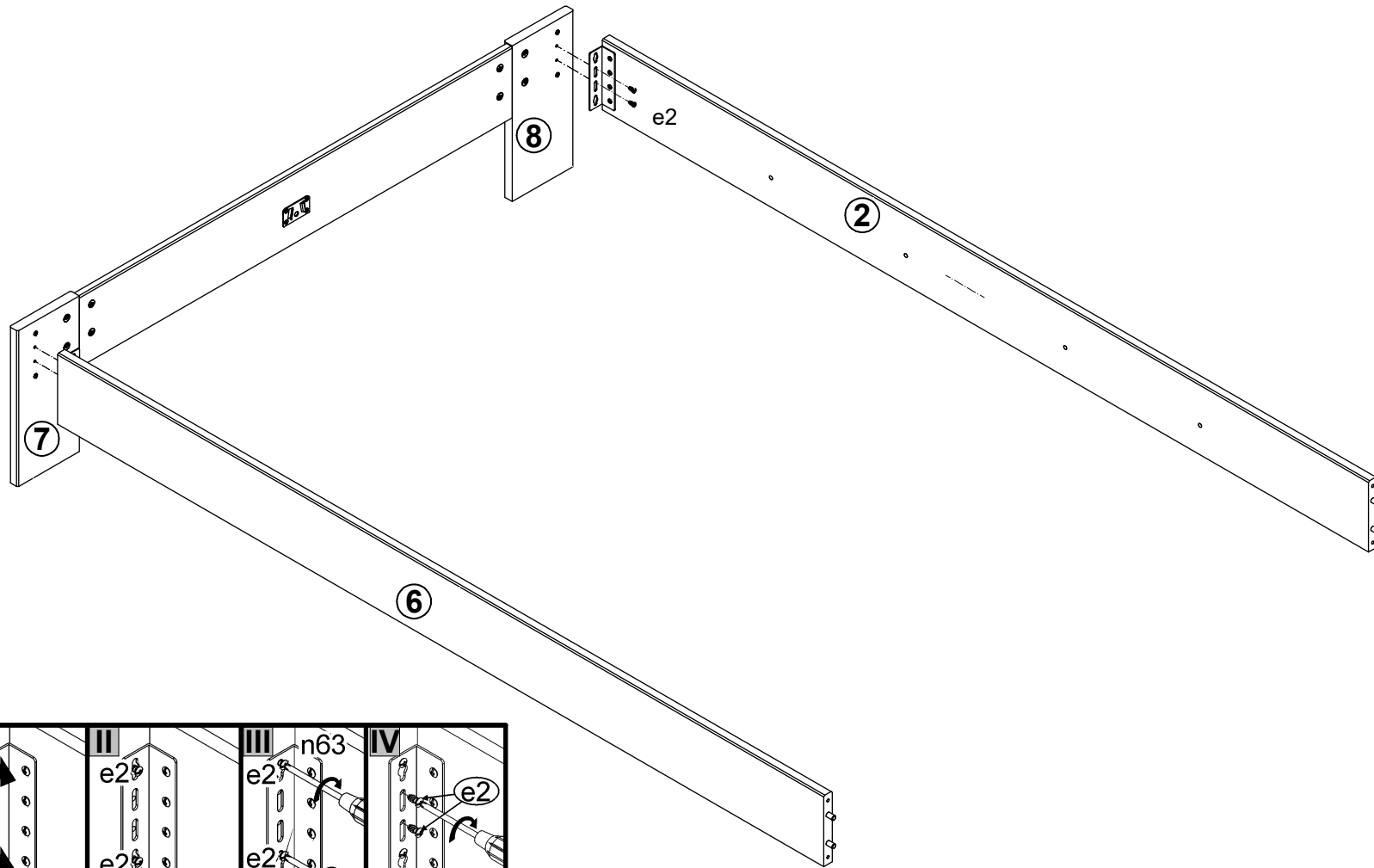
- 8x e2 8x f1 4x f27 2x n34\2 2x n63 6x p16
- Ø6,3x13 mm Ø8x30 mm Ø10x40 mm 130x34x34/2 mm Ø3,5x25 mm

2

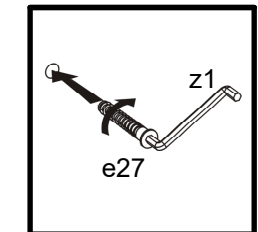
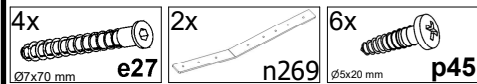
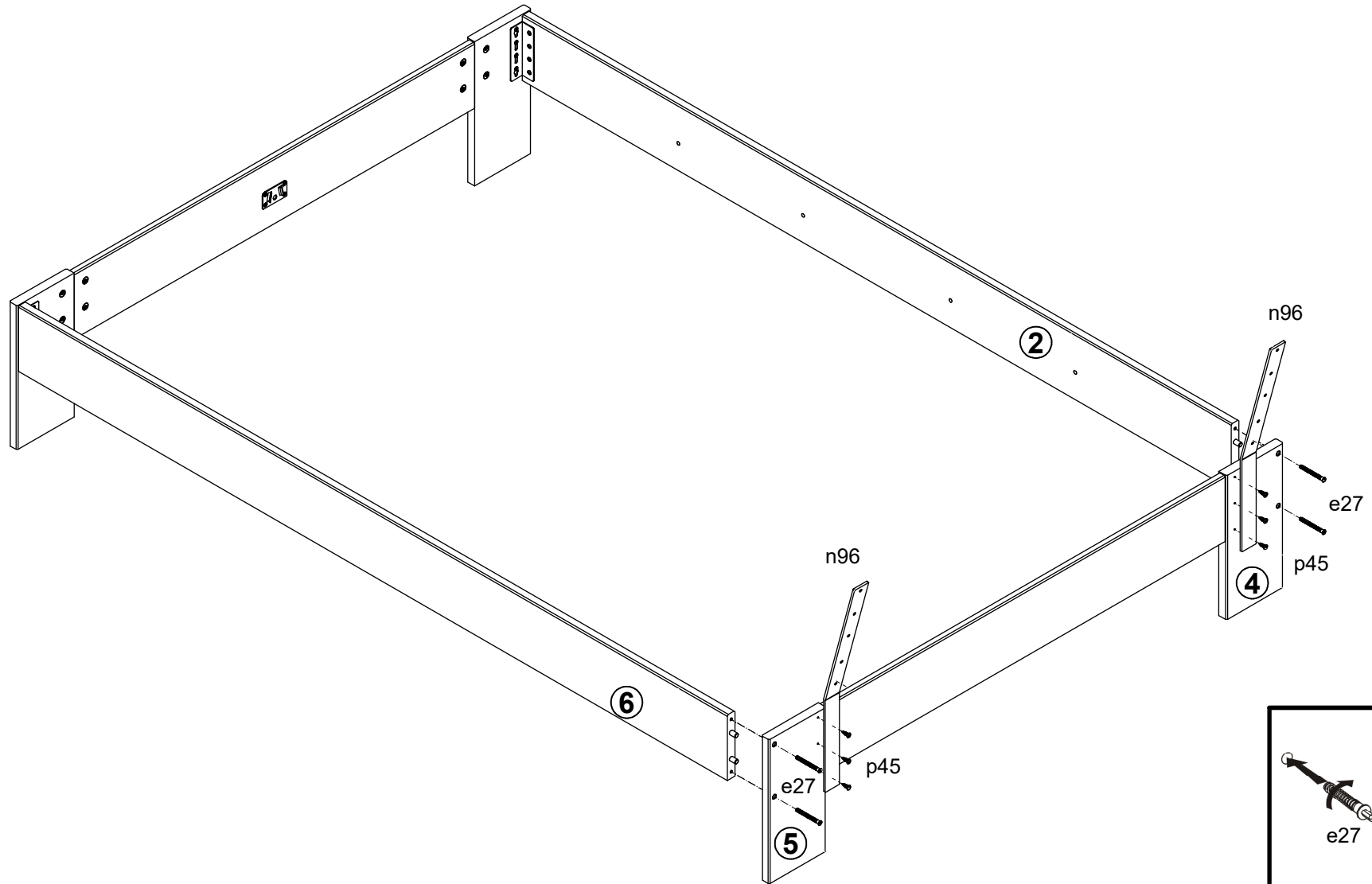


- 4x  e2
Ø6.3x13 mm
- 8x  e3
Ø6x13 mm
- 8x  f6
Ø8x50 mm
- 2x  n34\1
- 16x  r1
Ø15x12 mm #16
- 8x  r10

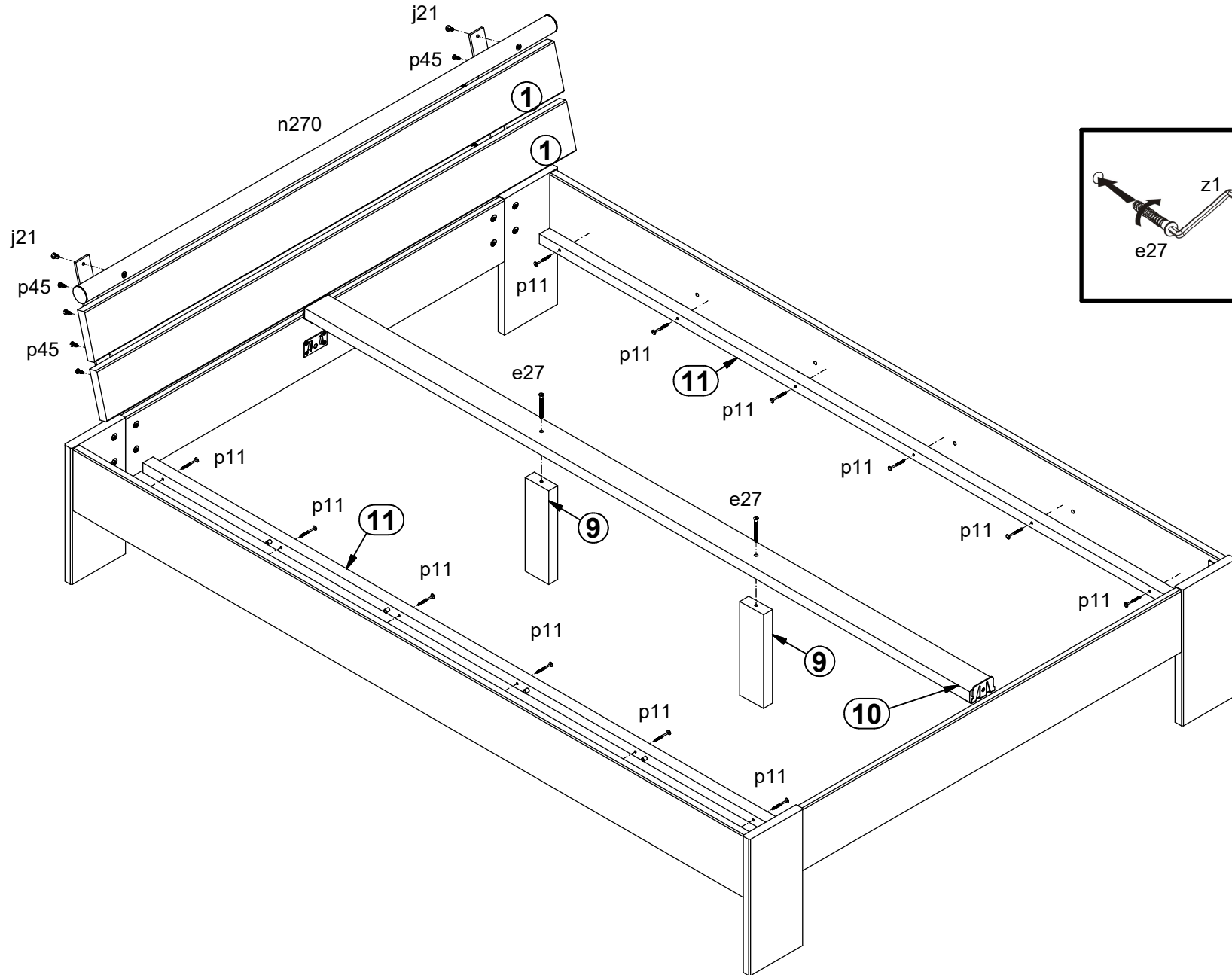
3



4



5



- | | | | | |
|-------------------------------|--------------------------------|-------------------------------|-----------------------------------|-------------------------------|
| <p>2x</p> <p>Ø7x70 mm e27</p> | <p>12x</p> <p>Ø4x45 mm p11</p> | <p>8x</p> <p>Ø5x20 mm p45</p> | <p>1x</p> <p>Ø45x1400 mm n270</p> | <p>2x</p> <p>M6x13 mm j21</p> |
|-------------------------------|--------------------------------|-------------------------------|-----------------------------------|-------------------------------|

6

