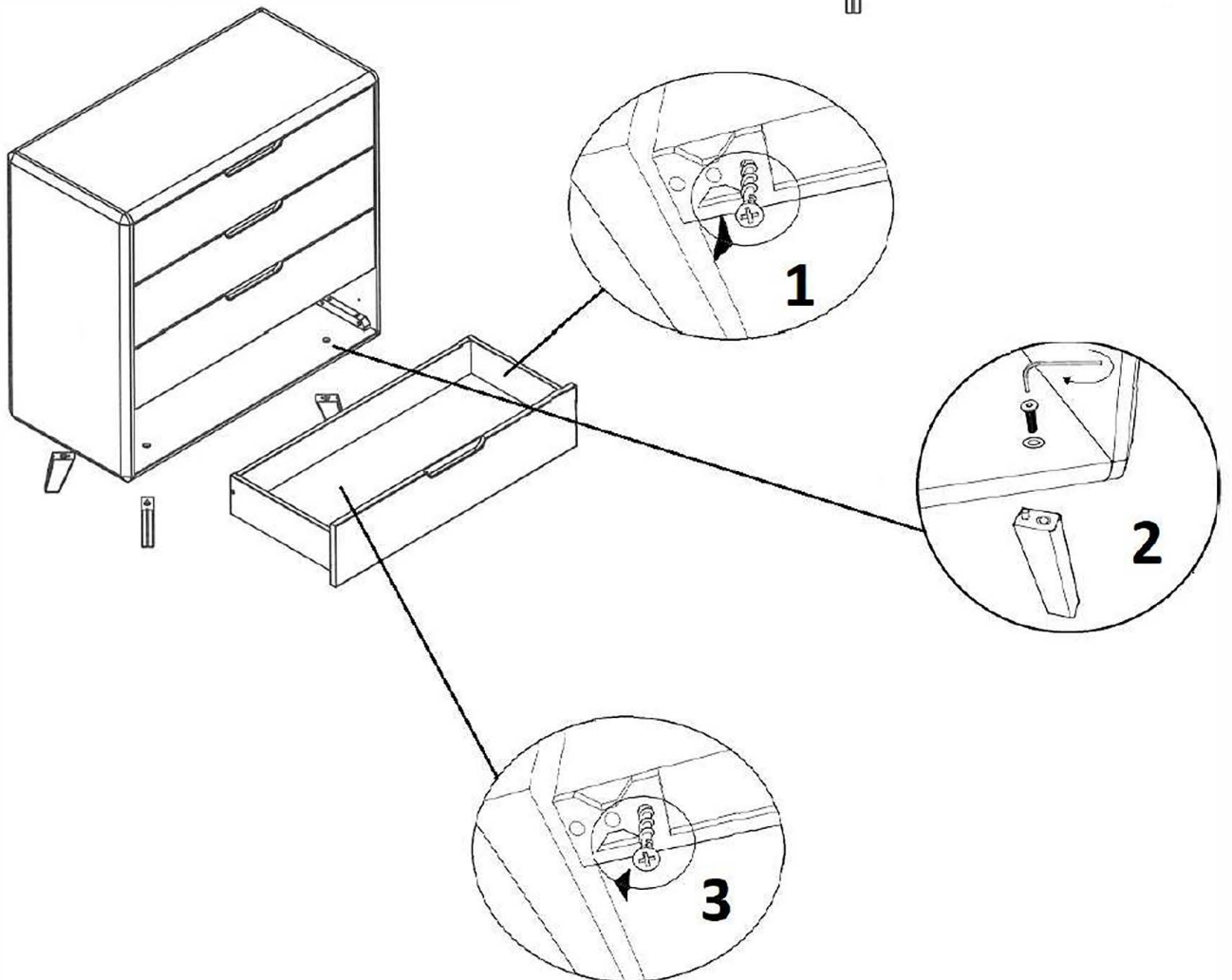
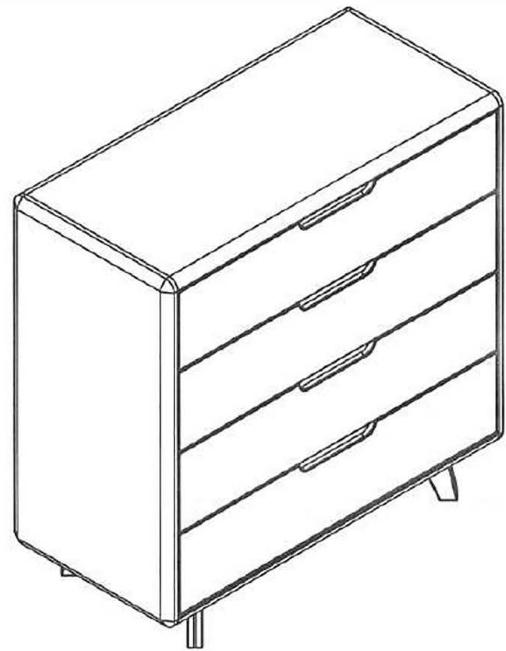





33711240

900x420x900

1. Opening the drawer and unscrewing the screw
2. Leg placement and clamping
3. Replacing the drawer and tightening the screw



	M8x40	SW 5 mm
4x	 4x	 1x