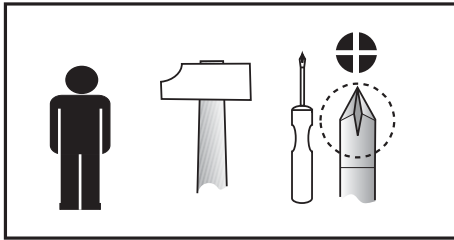
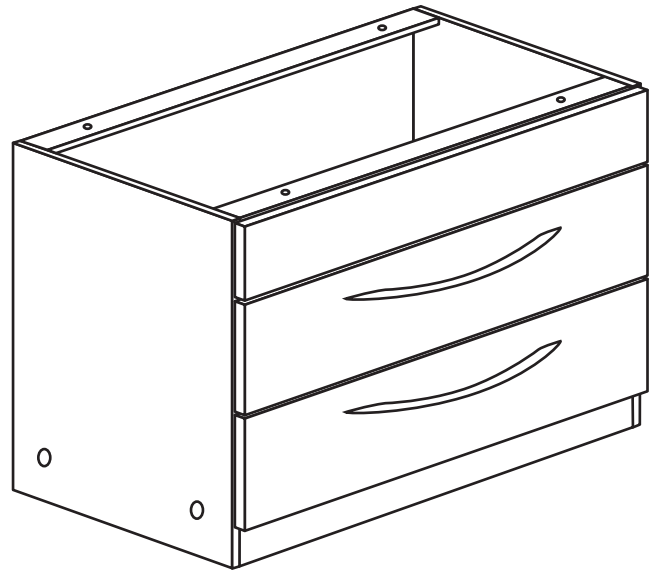
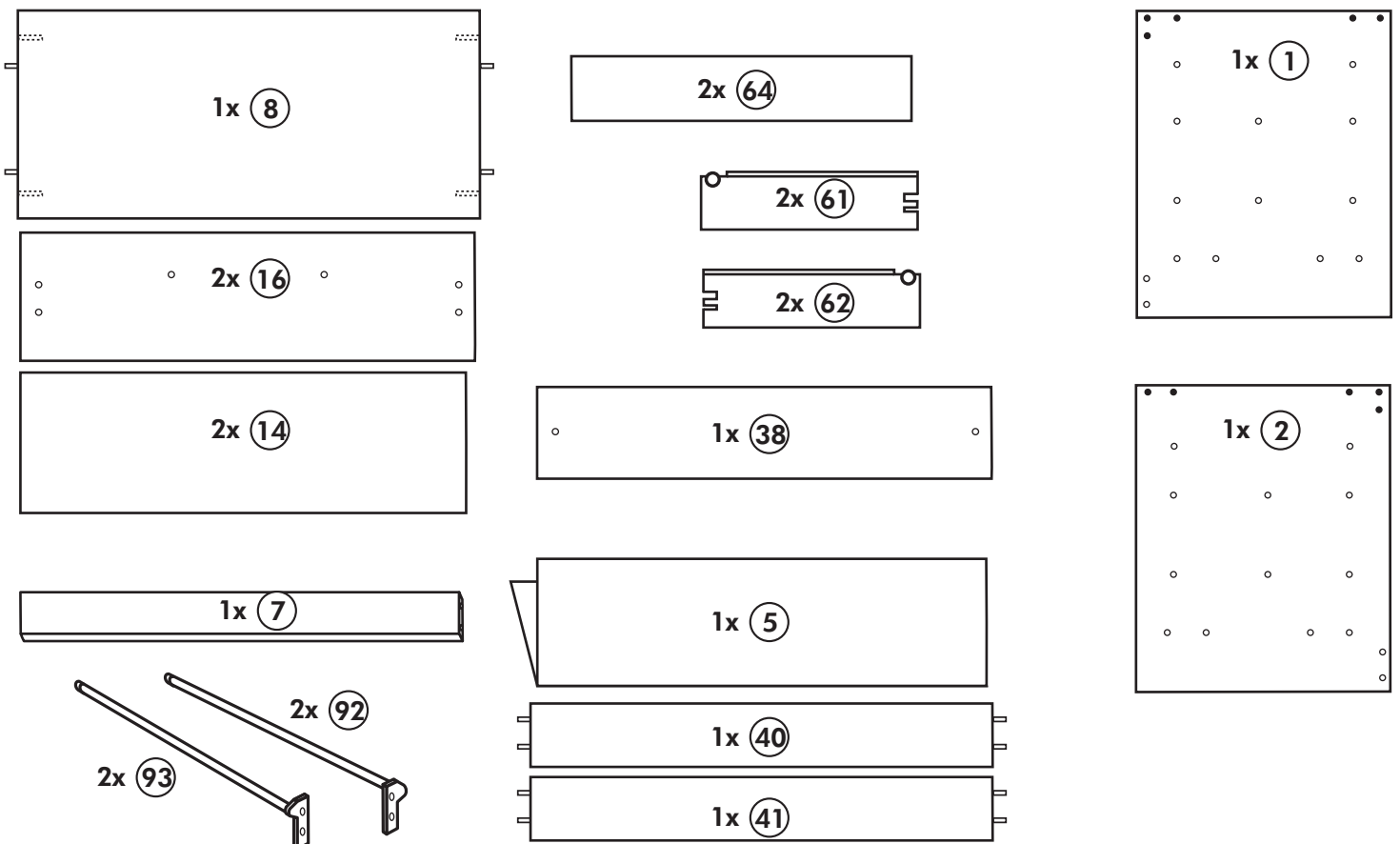


# Kochfeldumbau





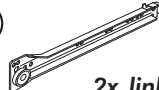

Nr. 015 Rev.01

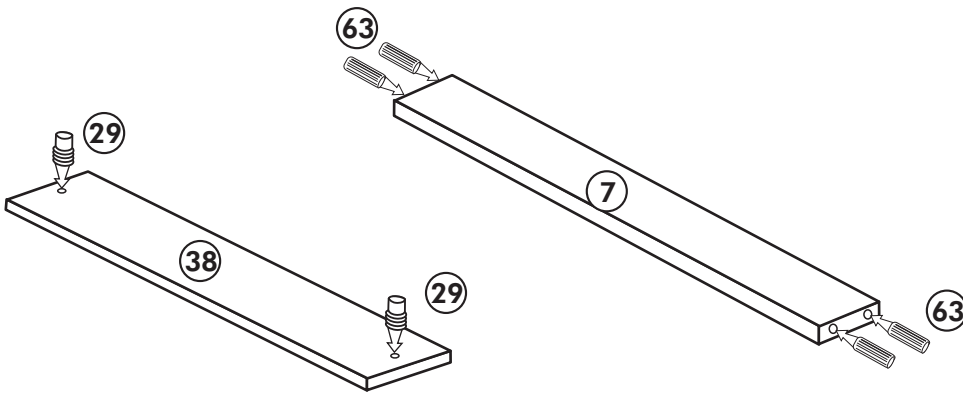
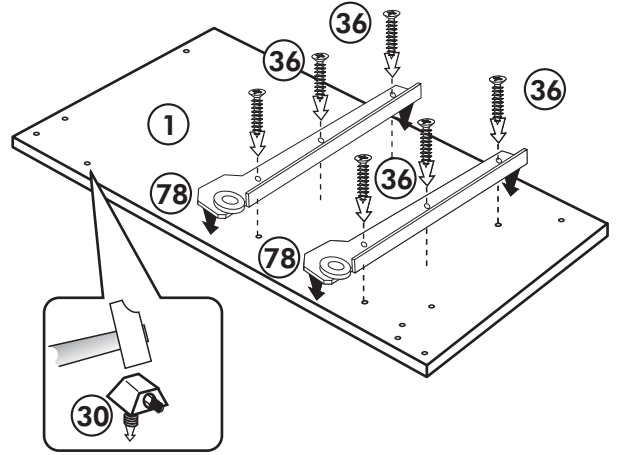
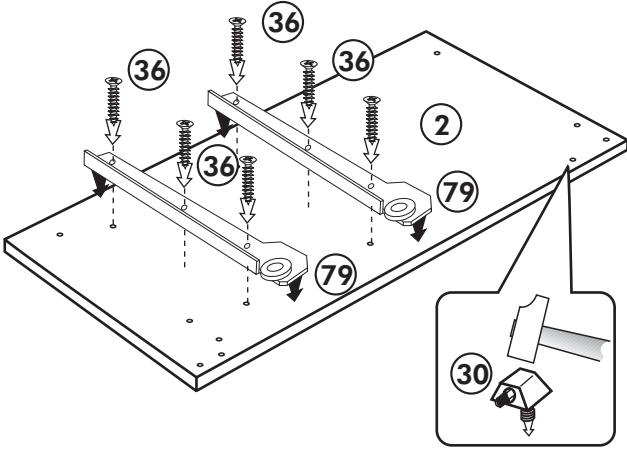


<b>63</b> 4x 	<b>70</b> 1x 	<b>106</b> 4x 			
<b>90</b> 4x 	<b>91</b> 4x 	<b>78</b> 2x links 	<b>79</b> 2x rechts 	<b>22</b> 4x 	<b>36</b> 40x 
<b>23</b> 4x 	<b>21</b> 2x 	<b>27</b> 24x 	<b>30</b> 2x 	<b>29</b> 2x 	<b>26</b> 4x 

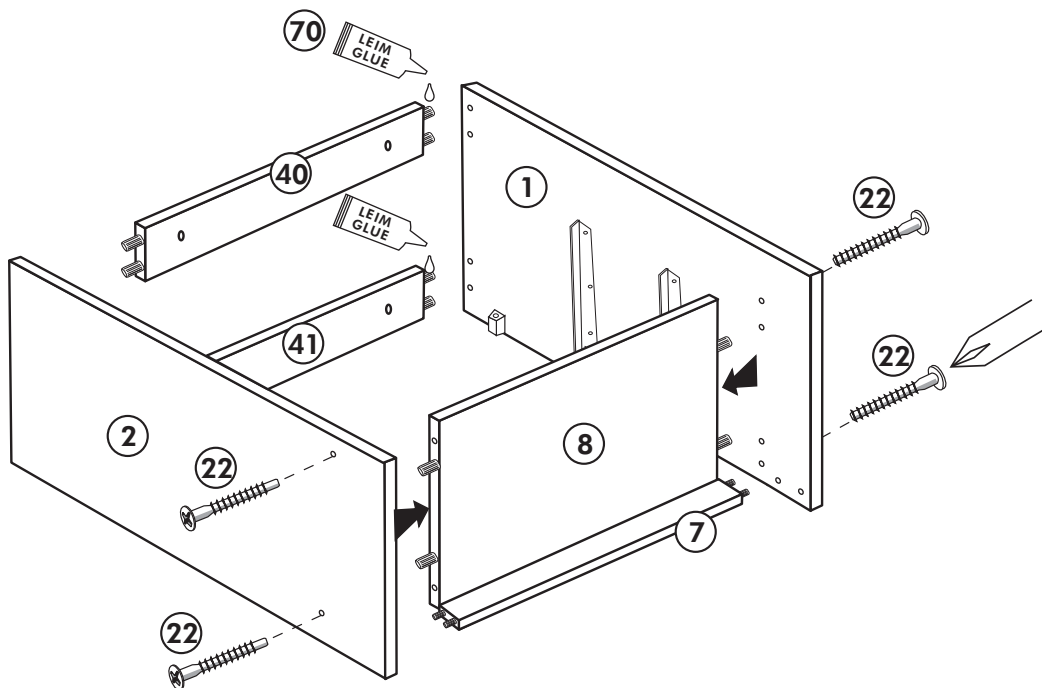


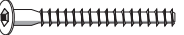

1

<p>(30) </p> <p>2x</p>	<p>(29) </p> <p>2x</p>	<p>(36)  3,5 x 16</p> <p>12x</p>
<p>(79) </p> <p>2x rechts</p>	<p>(78) </p> <p>2x links</p>	<p>(63)  8 x 30</p> <p>4x</p>

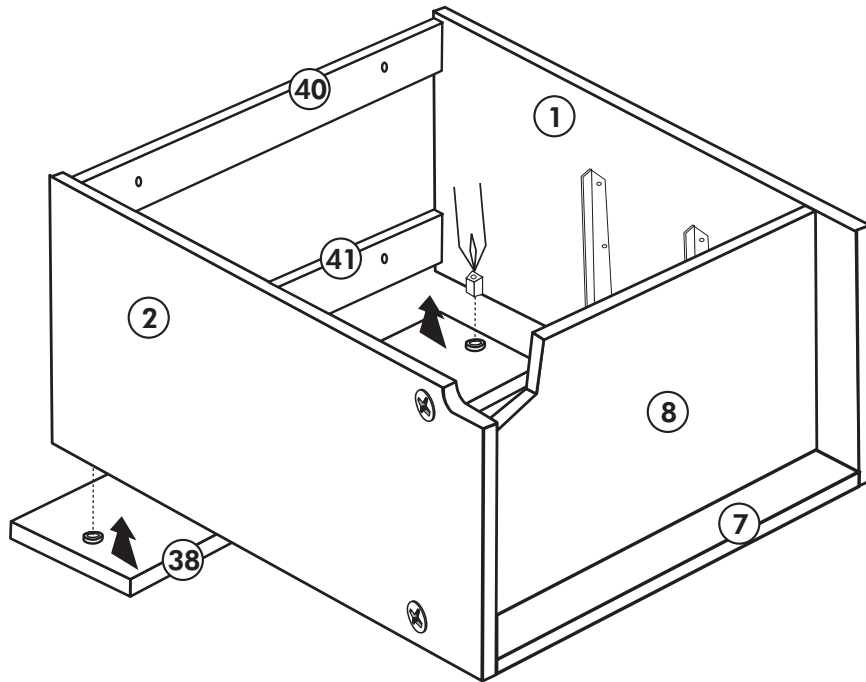


2

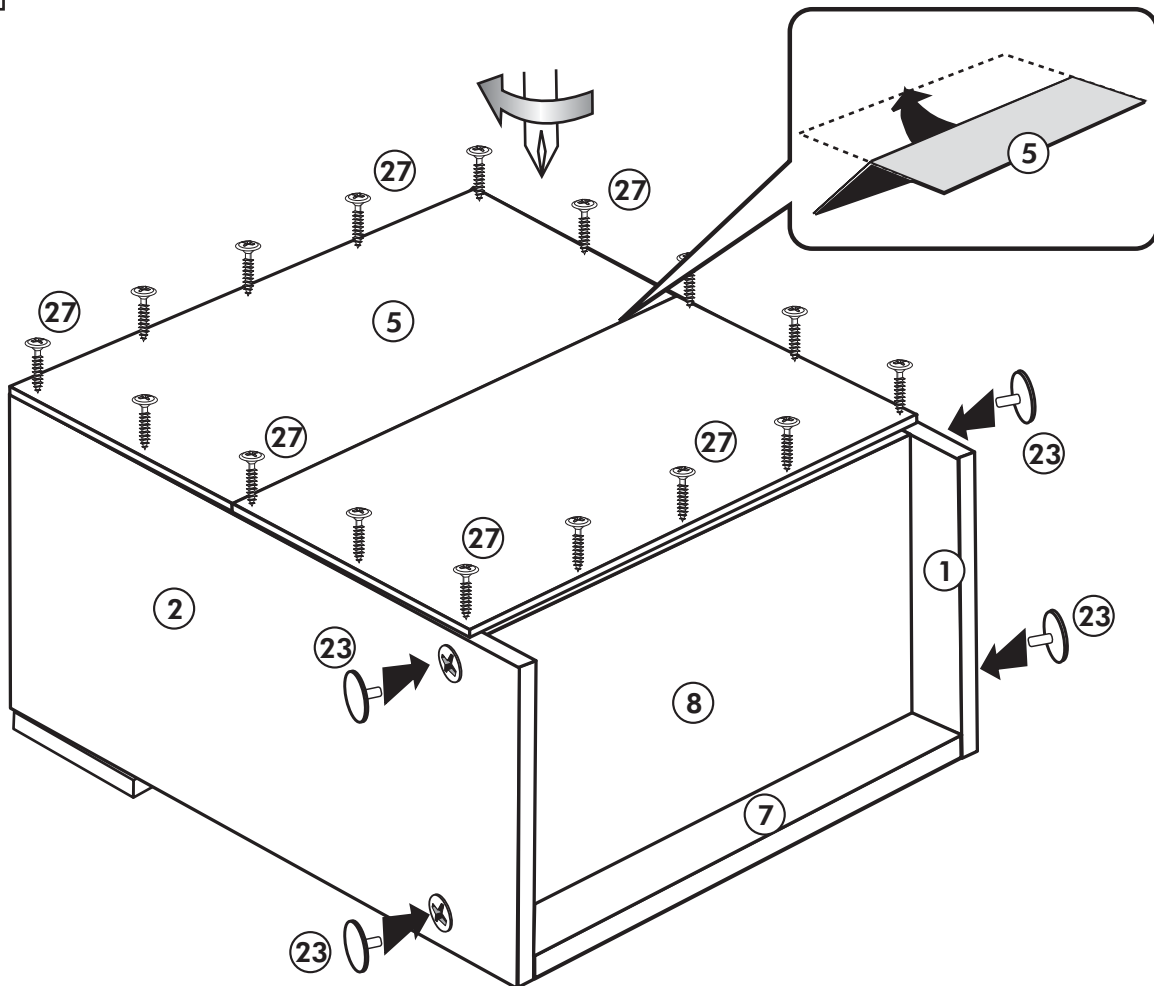


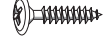

<p>(22) </p> <p>4x</p>
<p>(70)  LEIM GLUE</p> <p>1x</p>

3

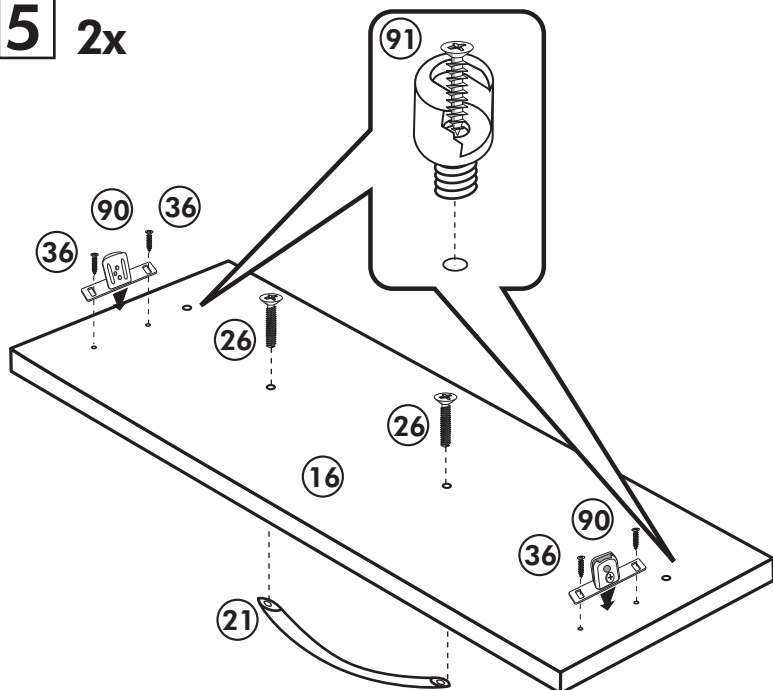


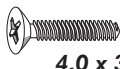

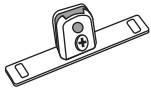


4




(27)	3,0 x 20
24x	
(23)	
4x	

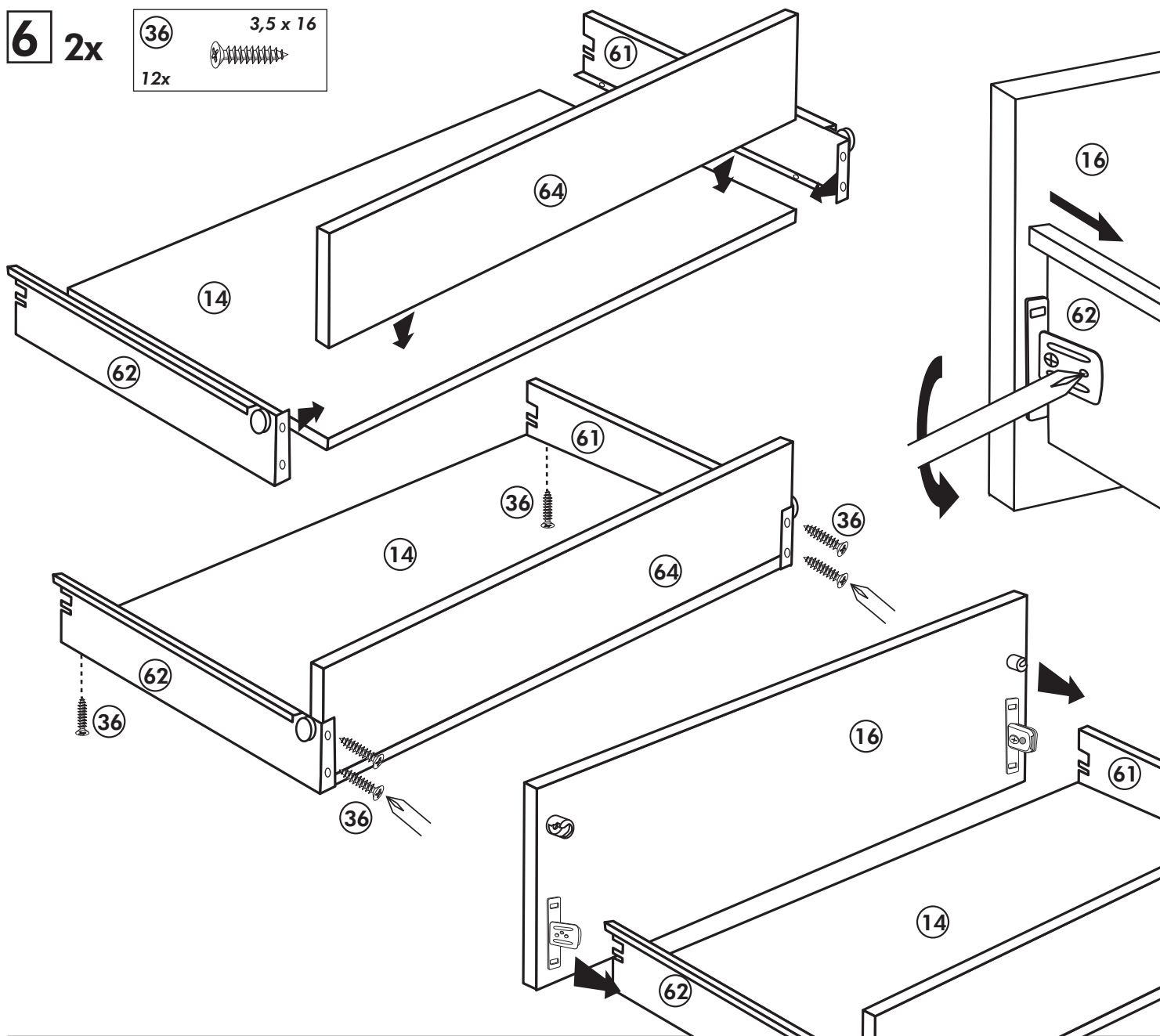
**5** 2x



<b>26</b> 4x	 4,0 x 30 M4	<b>36</b> 8x	 3,5 x 16
<b>90</b> 4x		<b>91</b> 4x	
		<b>21</b> 2x	

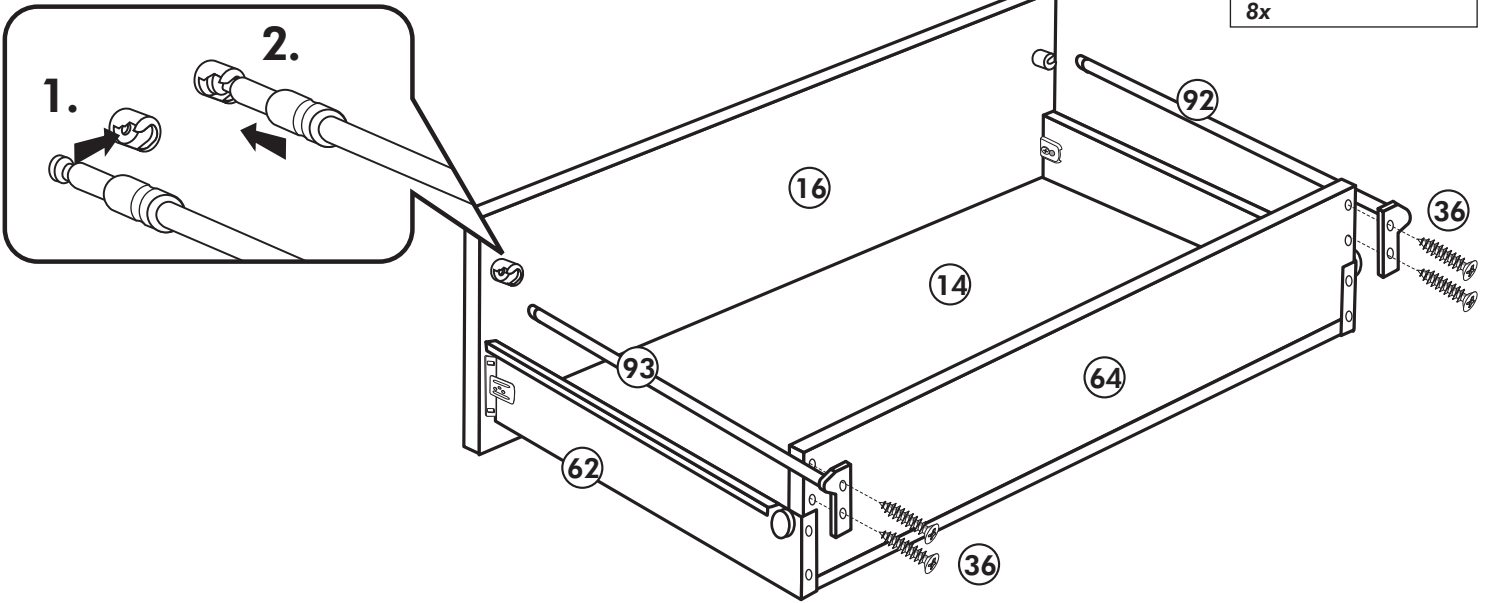
**6** 2x

<b>36</b> 12x	 3,5 x 16
------------------	---



**7** 2x

**36** 3,5 x 16  
8x



**8**

**106** 4,0 x 30  
4x

