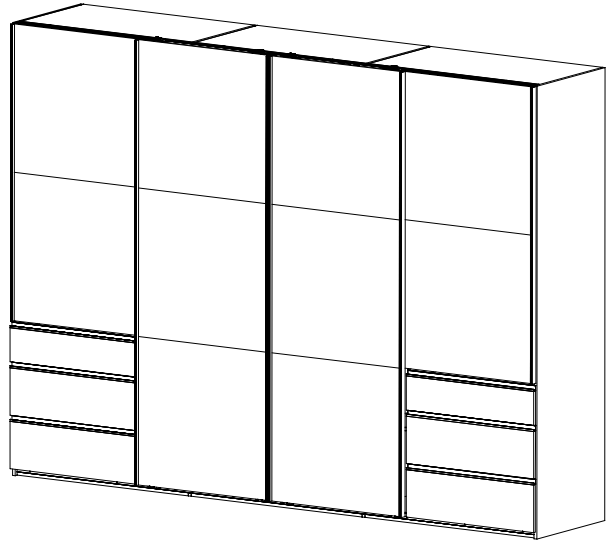
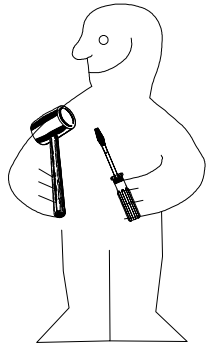
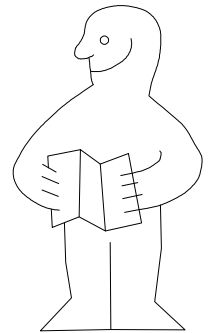
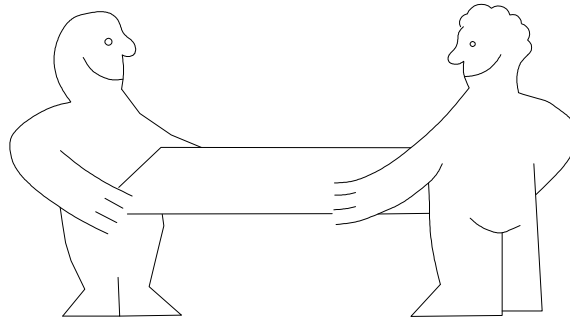
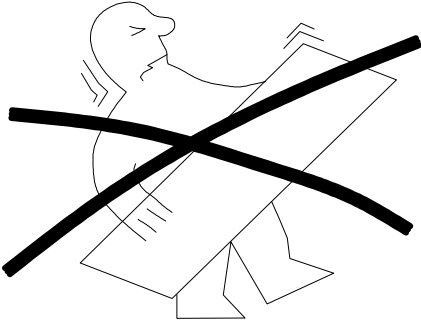




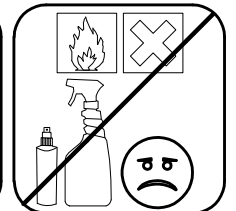
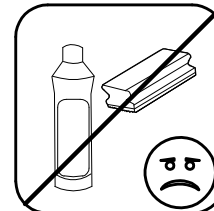
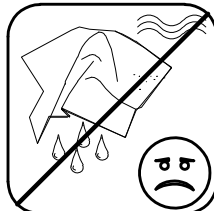
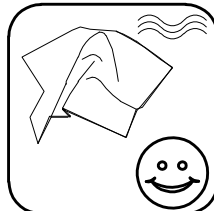
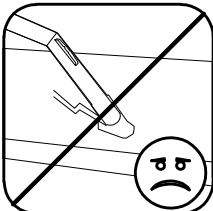
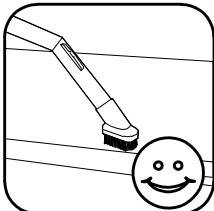
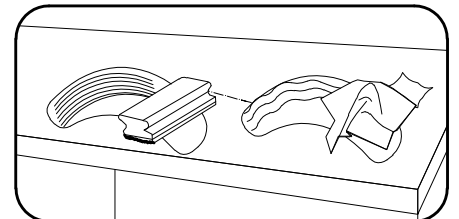
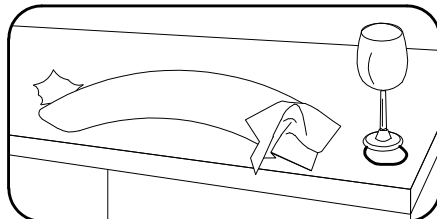
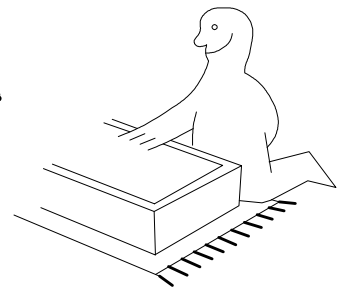
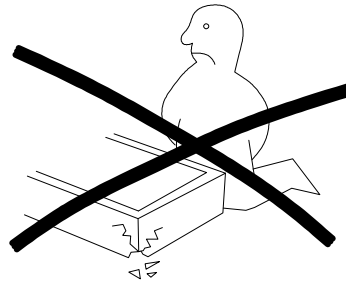
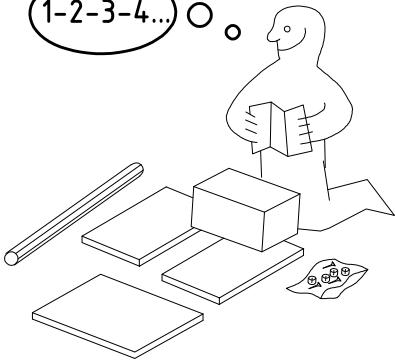
980713




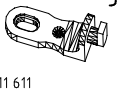
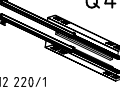
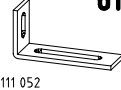
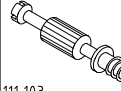


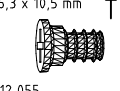
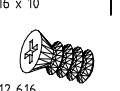

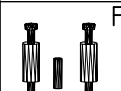
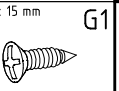
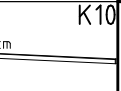

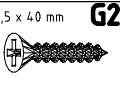
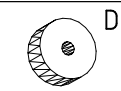
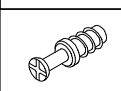

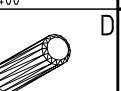

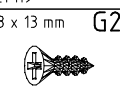
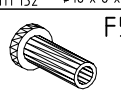


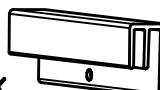
HSP 300 4trg Sy ASK

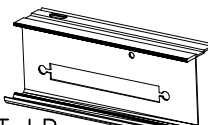


1-2-3-4... ○





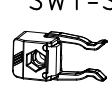

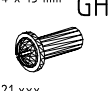
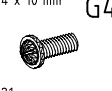




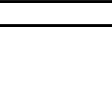
 A1 111 xxx	24x	 S0 111 300	15x	 K2 117 002	6x	 J2 111 611	9x	 Q45 112 220/1	6x	 o10 111 052	1x
 C 111 103	8x	 V12 111 xxx ø12	15x	 SBV 112 005	36x	 T1 6,3 x 10,5 mm	30x	 T3 M6 x 10	12x	 SP13 4 X 13mm	4x
 F3	8x	 G1 121 370 3,5 x 15 mm	36x	 K10 100cm	3x	 L8 111 607	20x	 G25 3,5 x 40 mm	14x	 D8 111 152 ø18 x 8 x 4	12x
 F 111 229	8x	 VB23 111 252	8x	 D 353 018 ø8 x 30	4x	 Z 163 007	4x	 G21 3 x 13 mm	24x	 F5 111 xxx ø5 x 15 x M4	12x

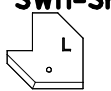




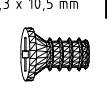
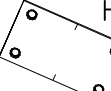
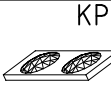
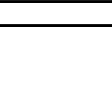
1x  FPK
1453/1940/2430/2920/3408

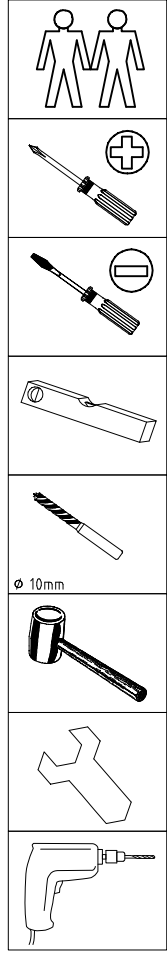
1x  SWT-LP
1453/1940/2430/2920SY
/3410 SY





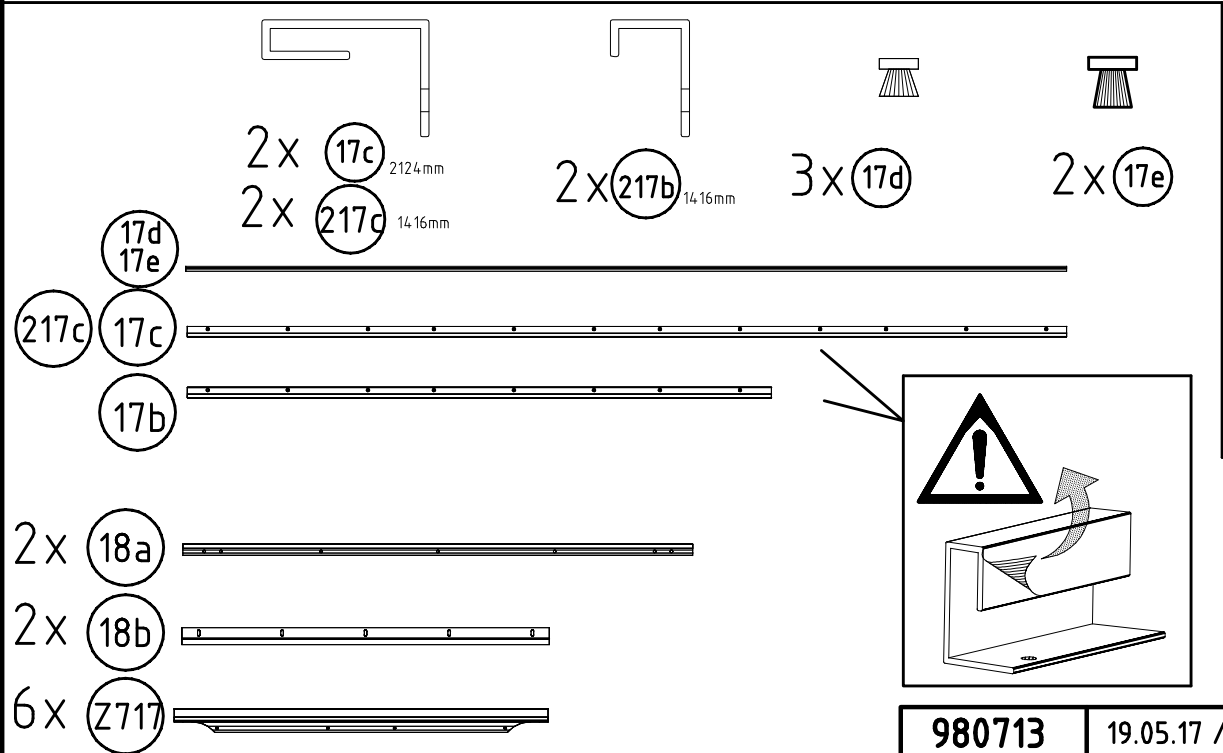
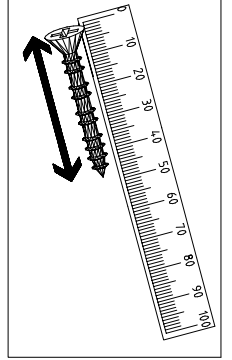
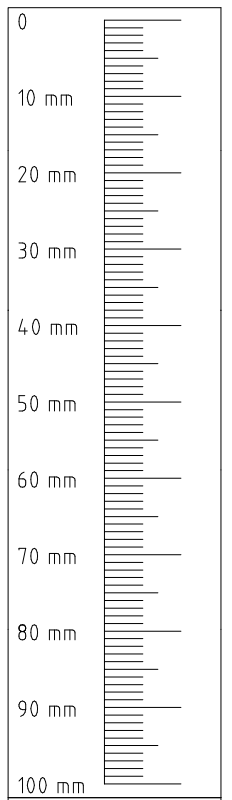
 SWT 1	4x
 SWT 2	2x

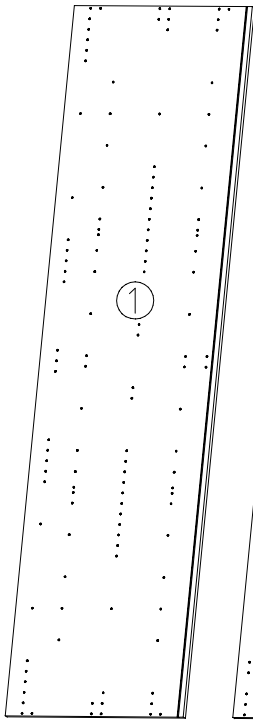
 SWT-ST	2x
 SWT-SM5 M4 x 13 mm	2x
 GH13 121 xxx	6x
 G43 M4 x 10 mm	6x
 121 xxx	6x
 SWH 6 3,5 x 15 mm	4x
 G1 121 370	2x
 L SWT 8	1x
 R SWT 9	1x

 SWH-SKL L	1x
 SWH-SKR R	1x
 G24 3,5 x 22 mm	9x
 G14 3,5 x 35 mm	2x
 SP13 4 X 13mm	118x
 T2 121 122 6,3 x 10,5 mm	34x
 H5 111 030	6x
 KP8 114 183	4x
 352 302	4x

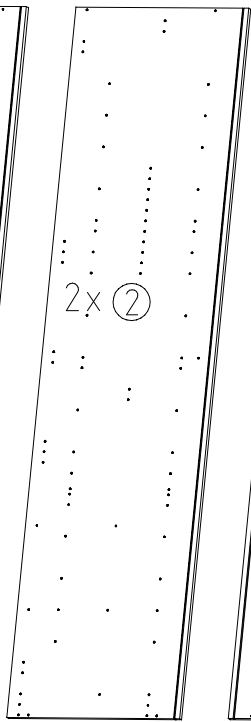


 MS 14 121 010 M4 x 14	12x
 SP27 4 X 27mm	6x

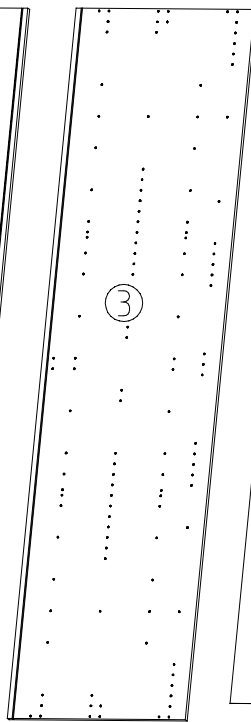




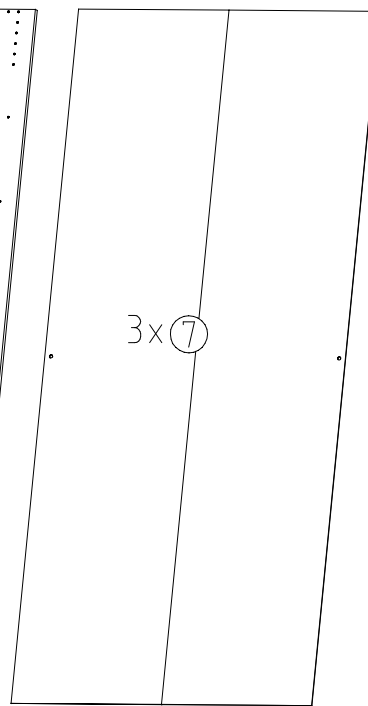
2160x577x15



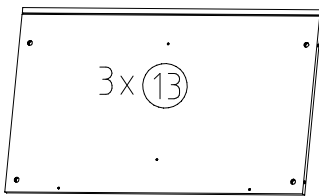
2160x560x15



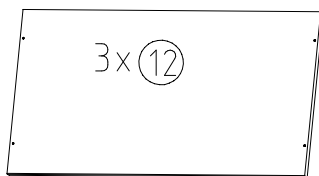
2160x577x15



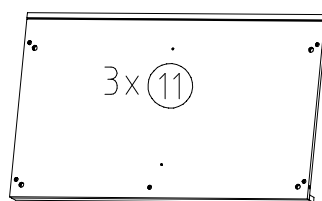
2111x973x2,5



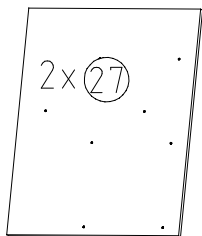
964x560x15



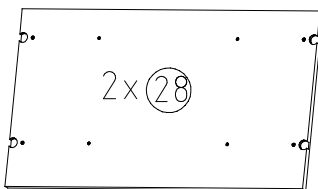
964x500x18



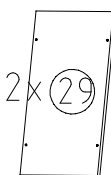
964x560x47



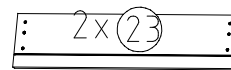
689x557x15



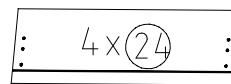
964x540x22



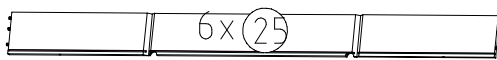
250x500x18



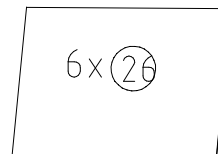
717x163x15



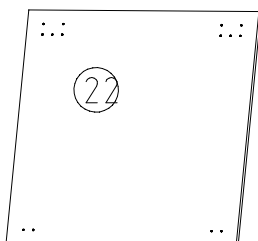
717x227x15



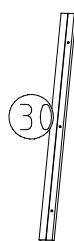
450/675/450x126x12



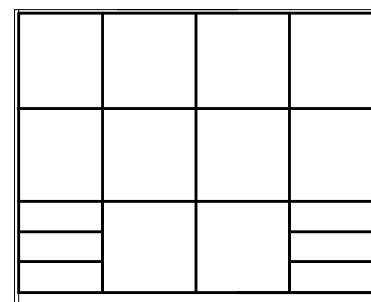
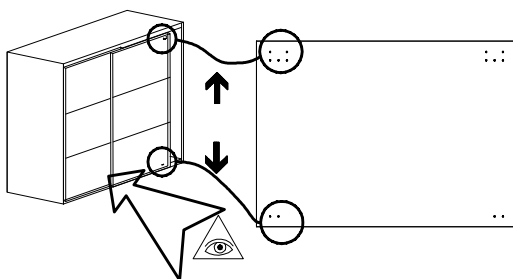
661x449x2,5



10x 990x708x15

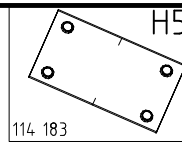
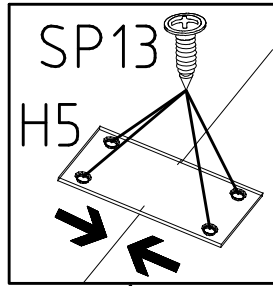
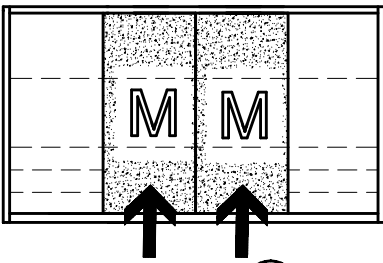


2x 689x42x15

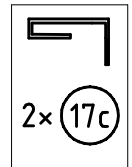
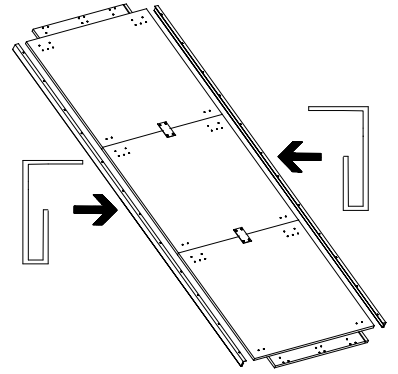
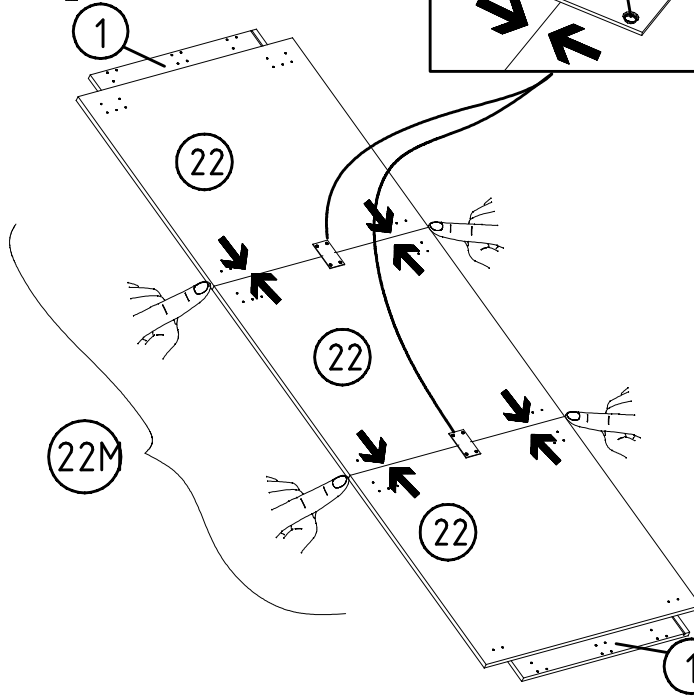
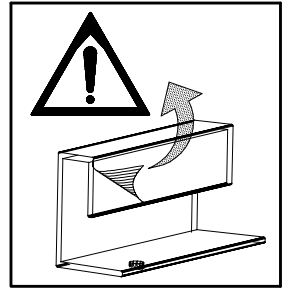
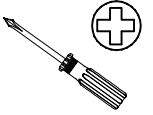


L M M R

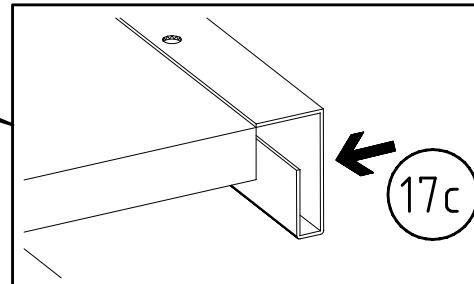
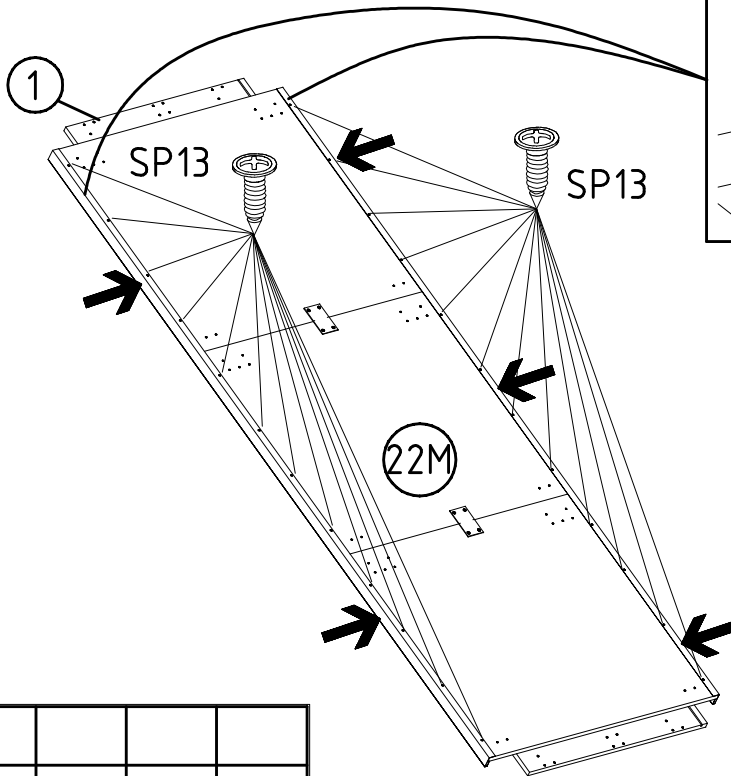
1



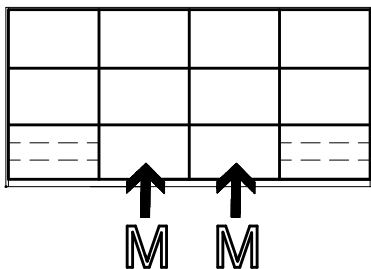
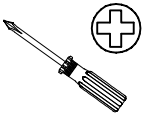
SP13
4 X 13mm
121 122



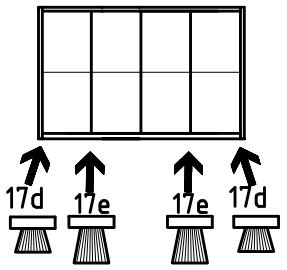
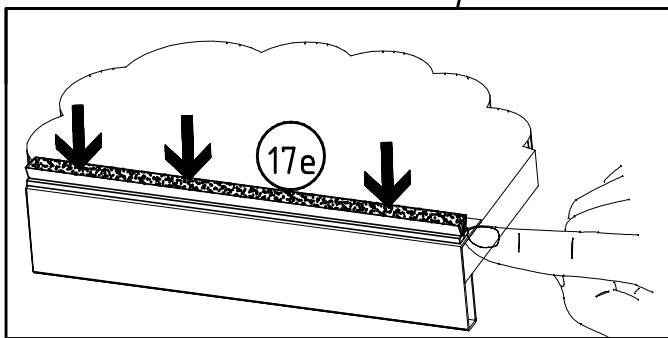
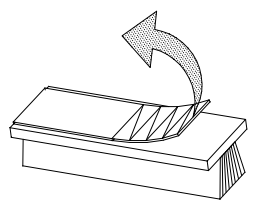
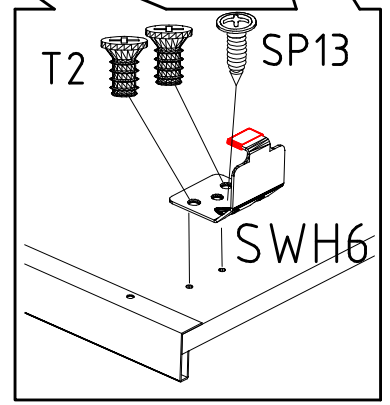
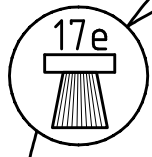
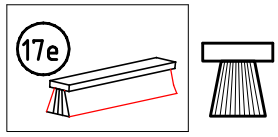
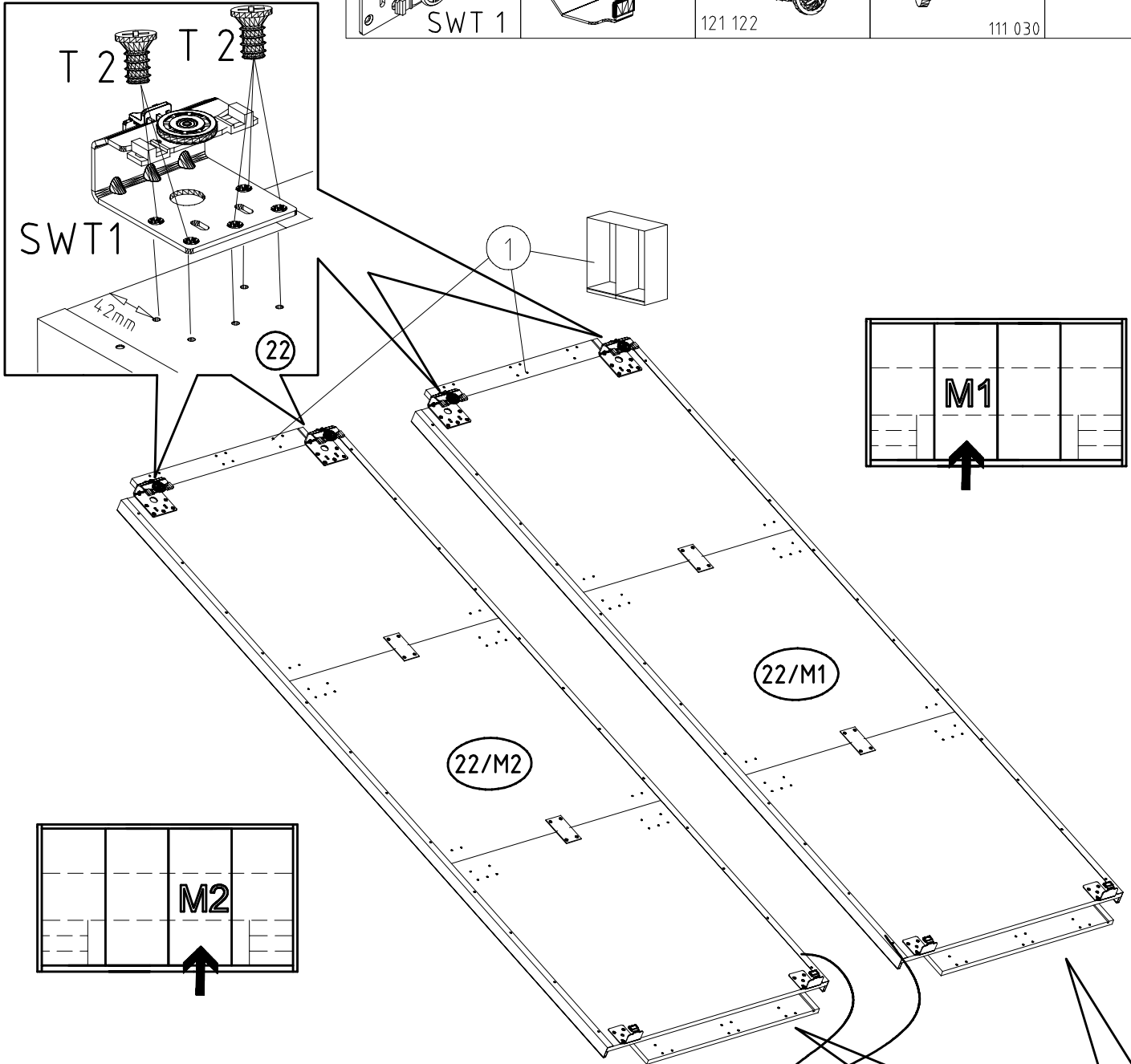
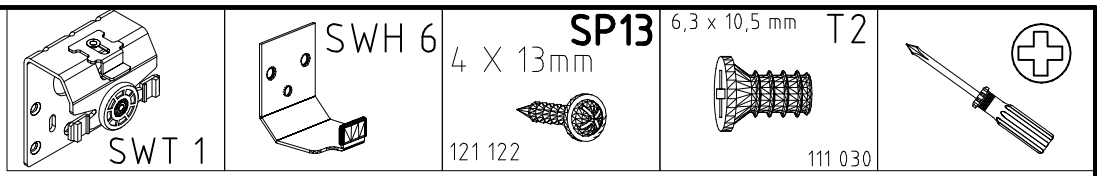
2



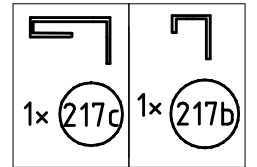
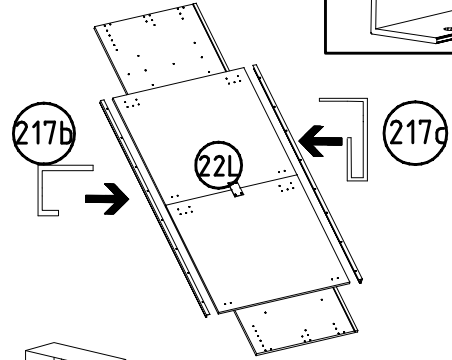
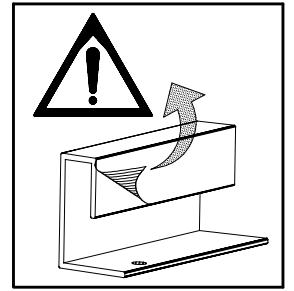
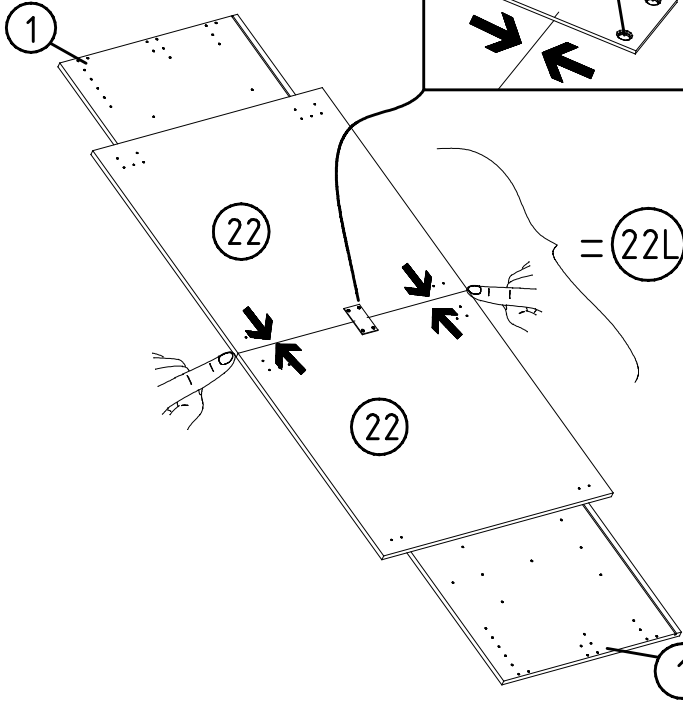
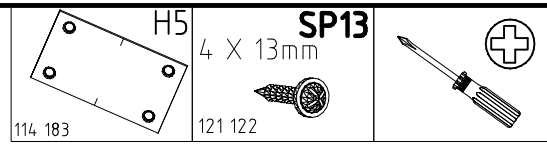
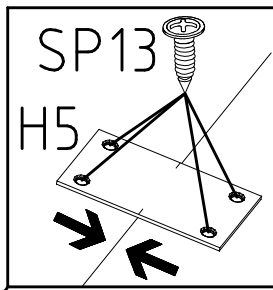
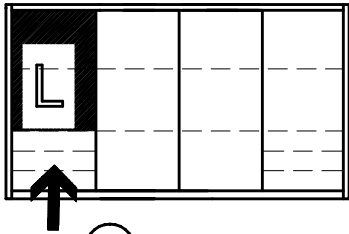
SP13
4 X 13mm
121 122



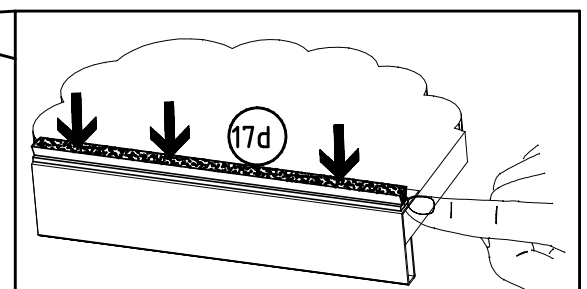
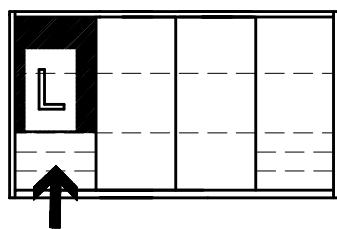
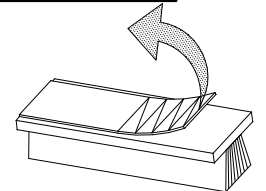
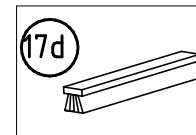
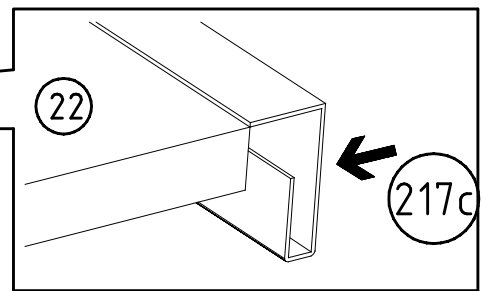
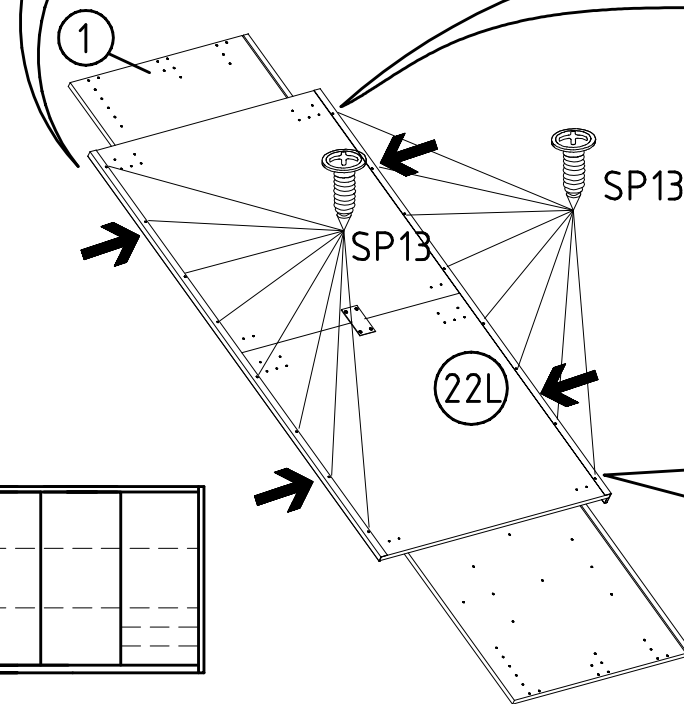
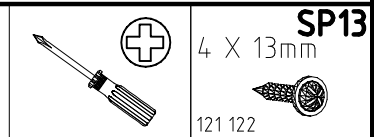
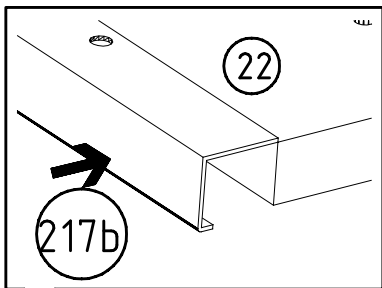
3



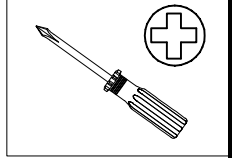
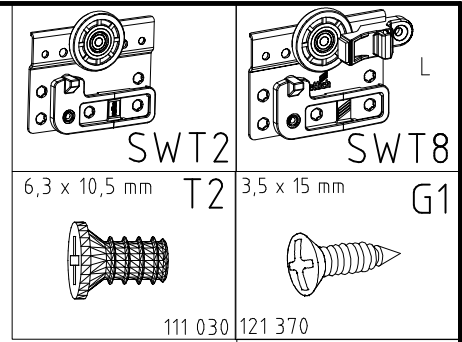
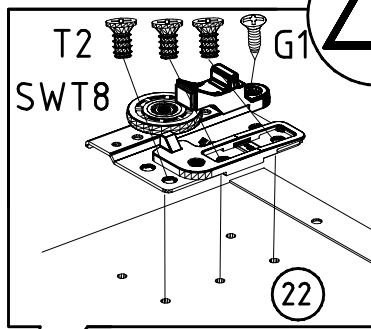
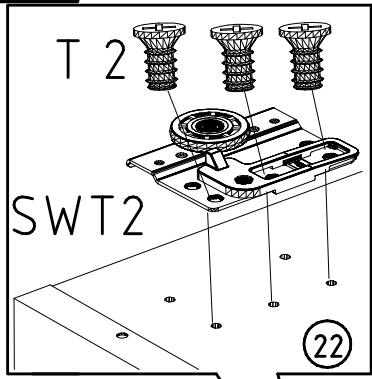
4



5



6

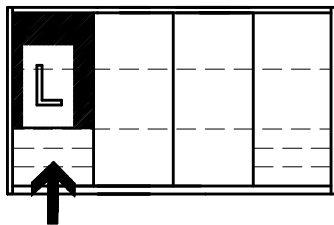


1

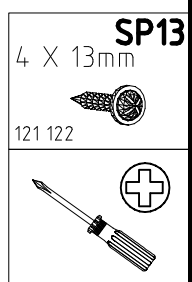
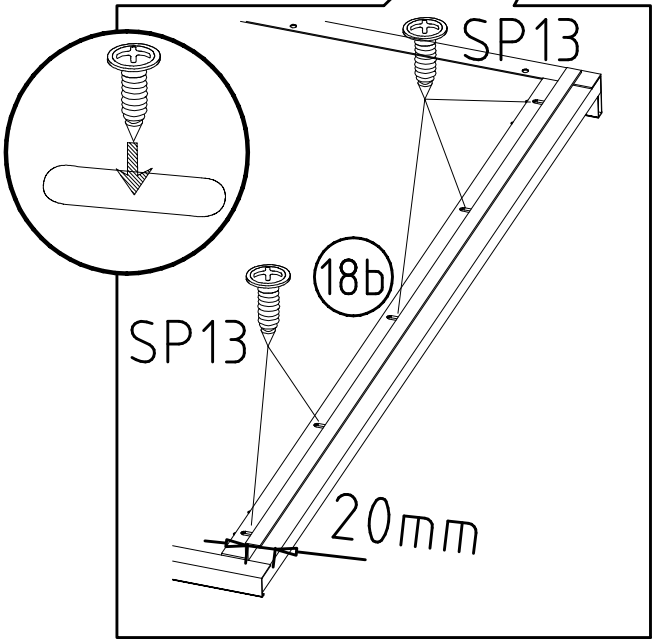
22

22

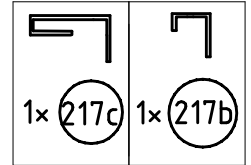
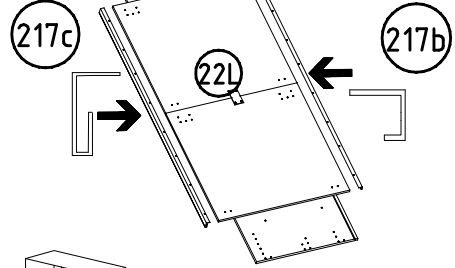
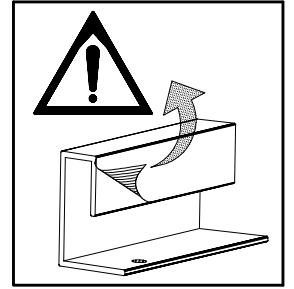
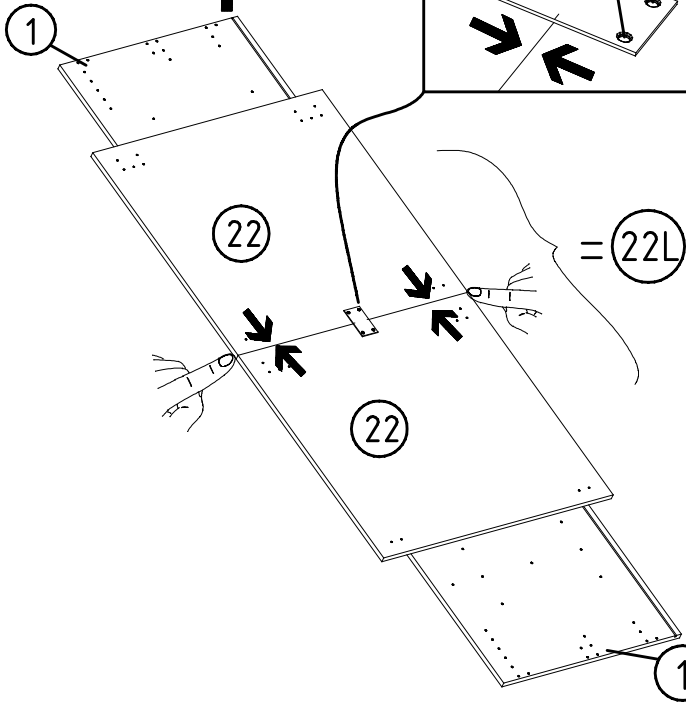
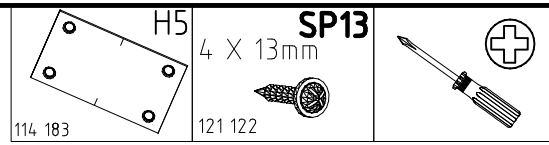
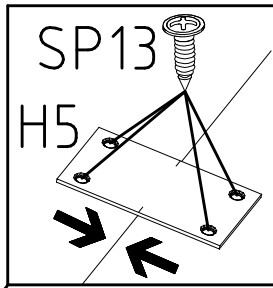
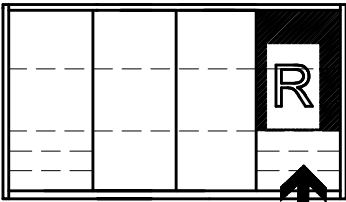
22L



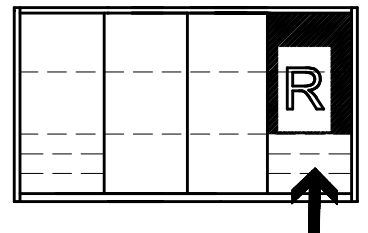
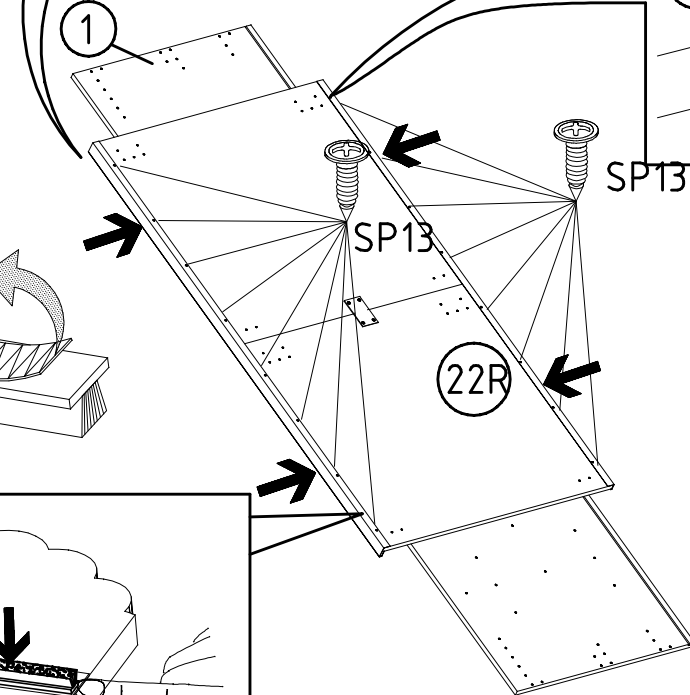
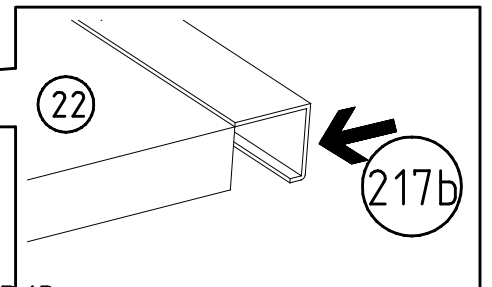
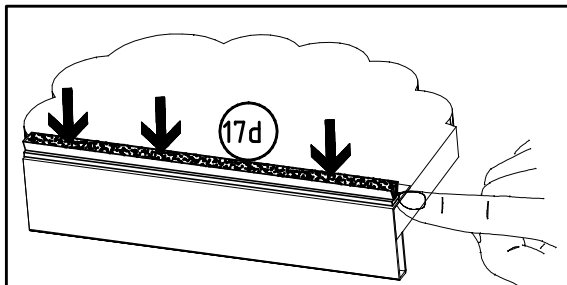
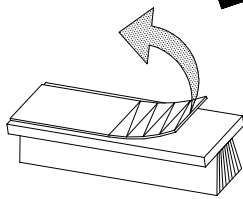
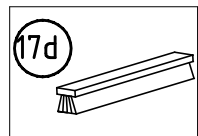
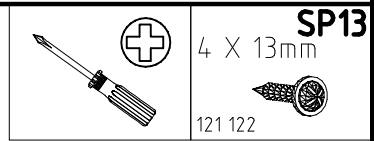
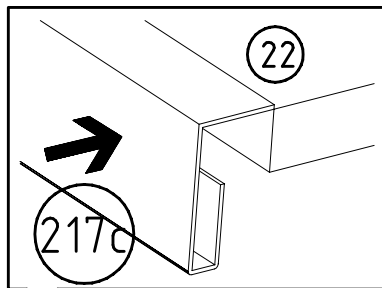
7



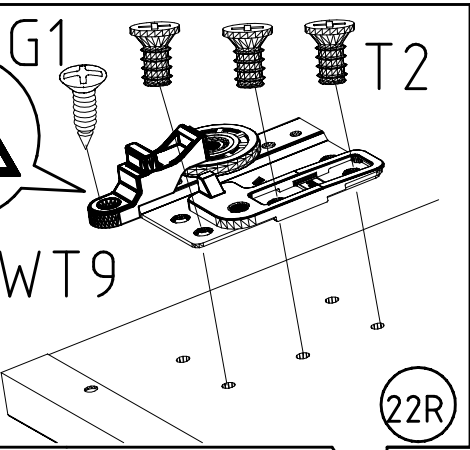
4



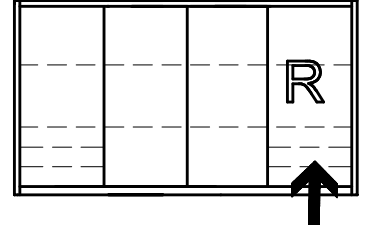
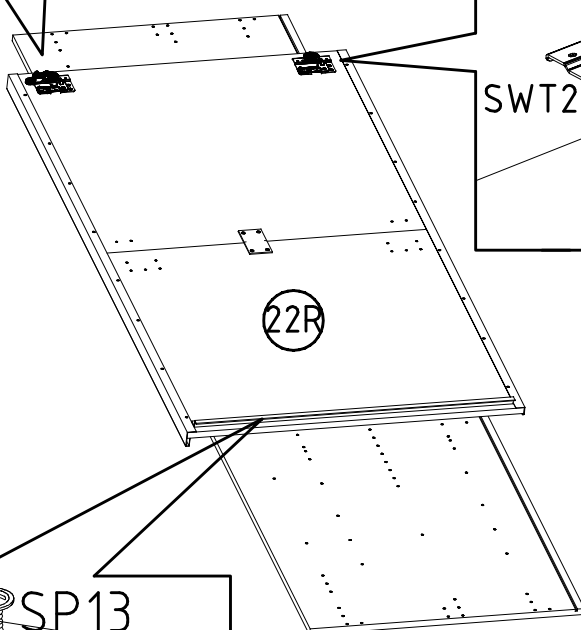
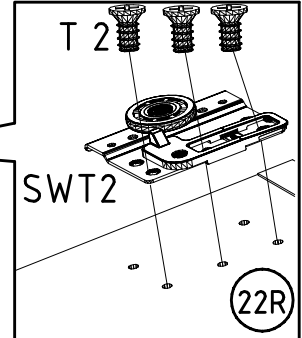
5



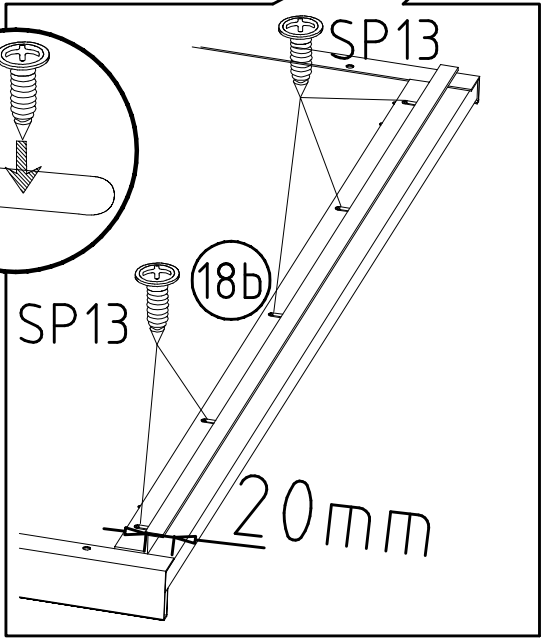
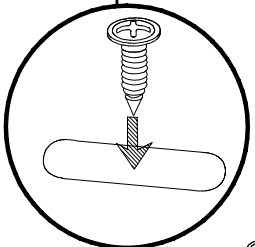
10



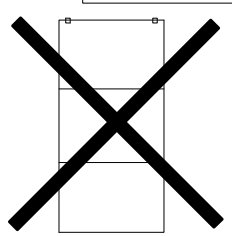
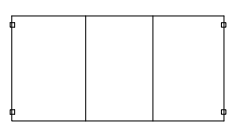
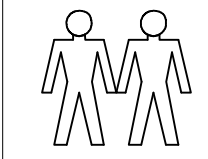
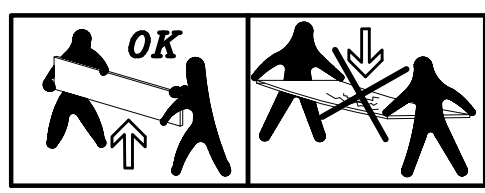
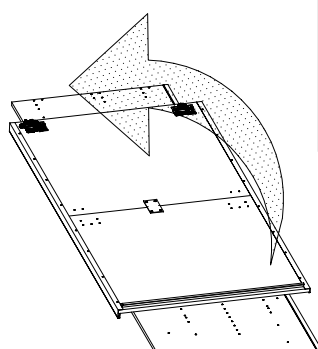
		3,5 x 15 mm G1
SWT2	SWT9	121 370
	6,3 x 10,5 mm T2	
	111 030	



11



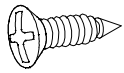
	SP13 4 X 13mm
	121 122



12

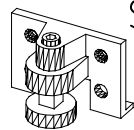
3,5 x 15 mm

G1



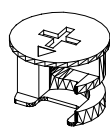
121 370

S0



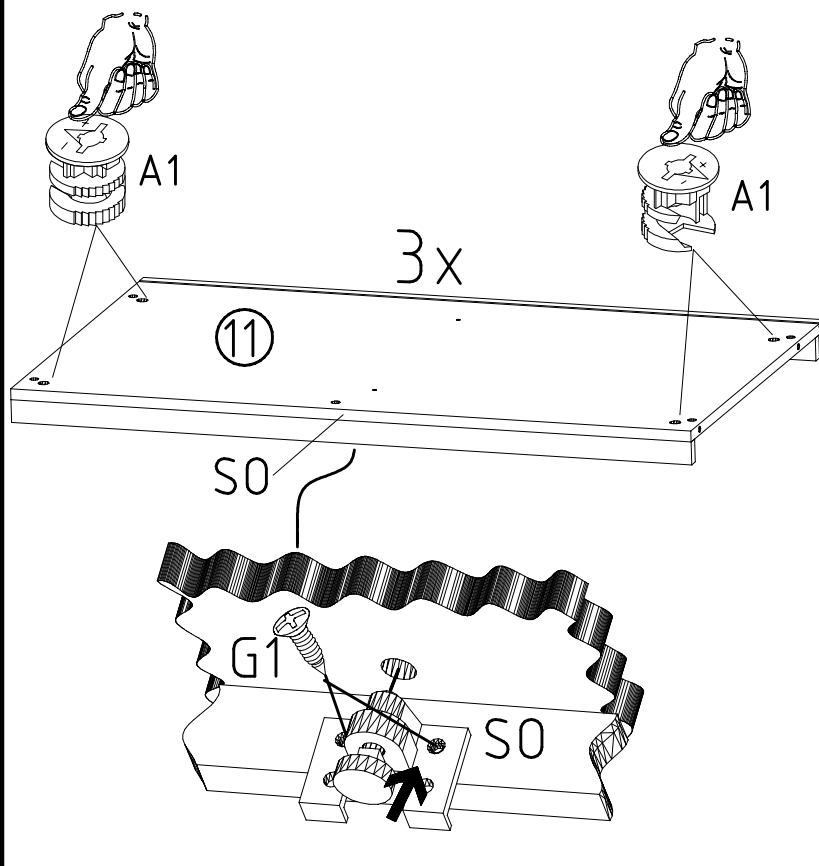
111 300

A1



111 xxx

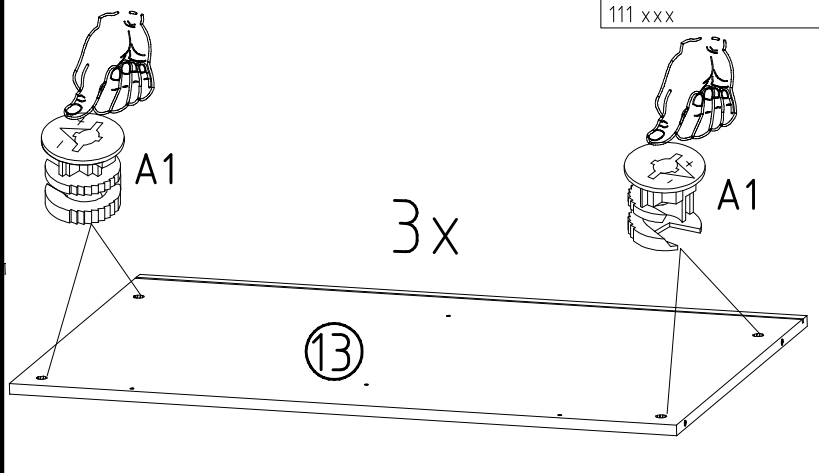
14



13

A1

111 xxx



2

F3

S0

F3

S0

+

6,3 x 10,5 mm T1

112 055

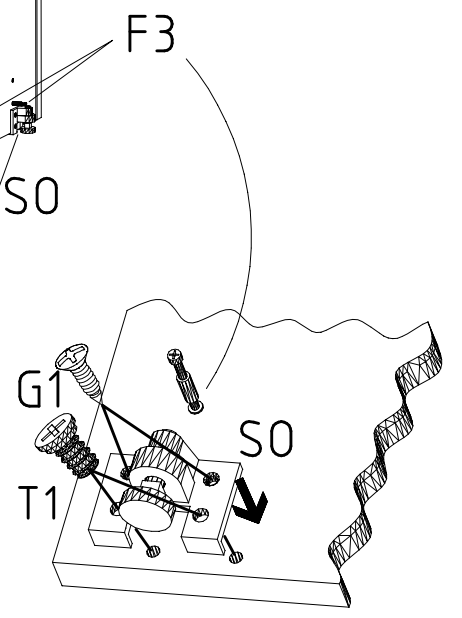
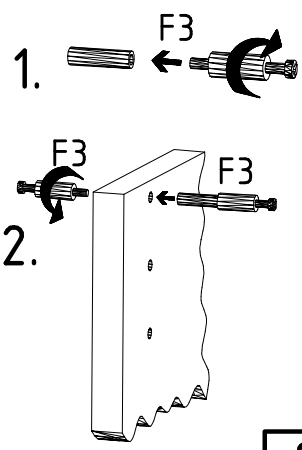
3,5 x 15 mm G1

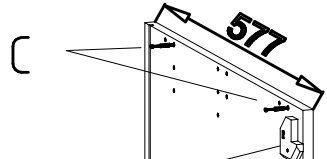
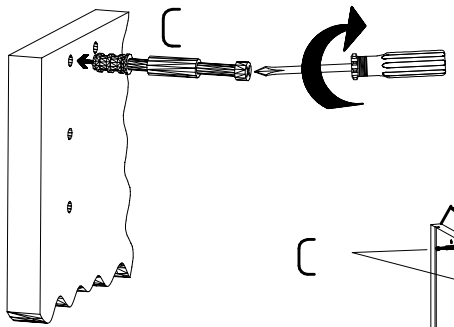
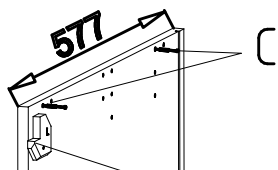
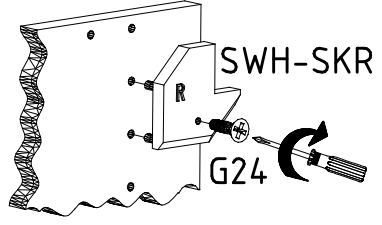
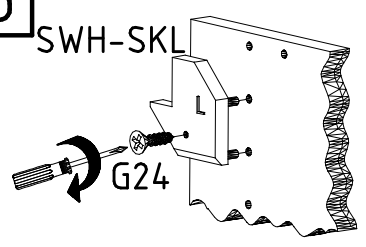
121 370

S0

111 300

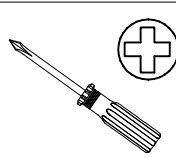
F3



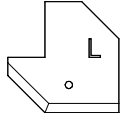


SWH-SKL
+G24

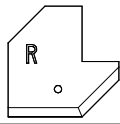
SWH-SKR
+G24



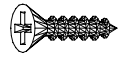
SWH-SKL



SWH-SKR

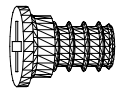


3,5 x 22 mm G24



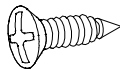
121 004

6,3 x 10,5 mm T1

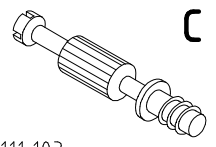


112 055

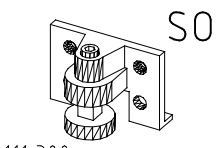
3,5 x 15 mm G1



121 370



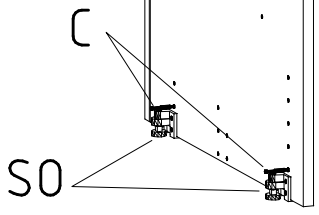
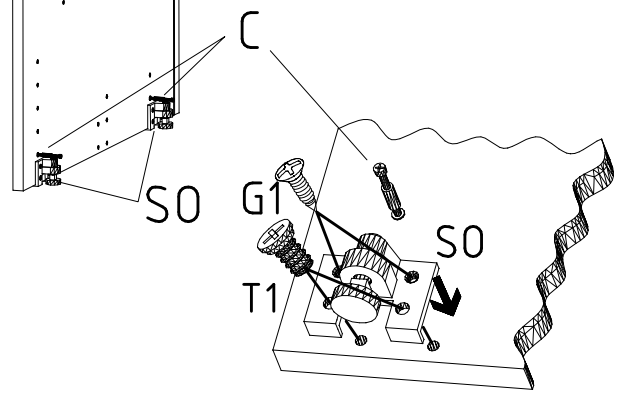
111 103



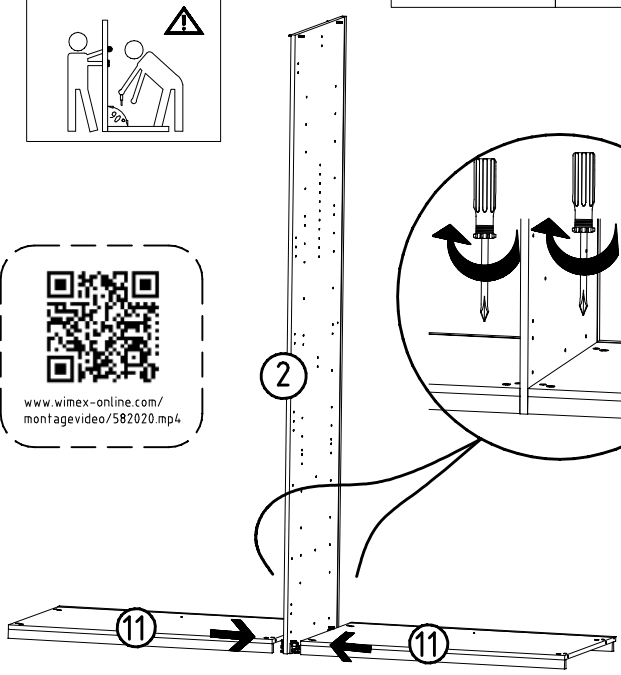
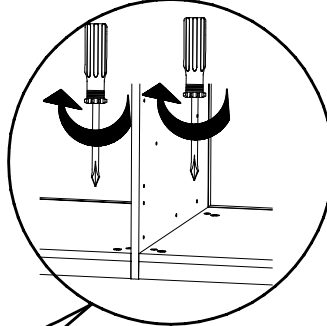
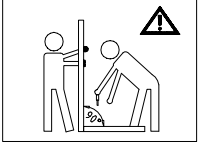
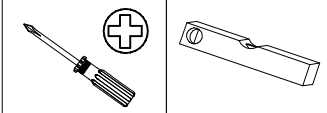
111 300

1

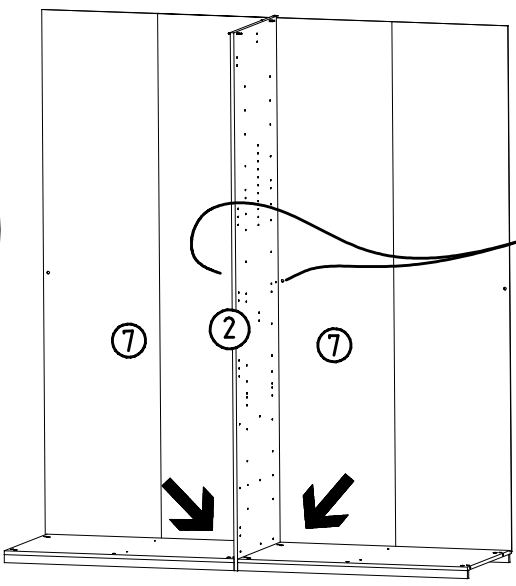
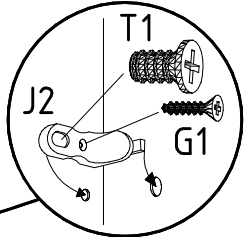
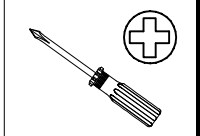
3



16



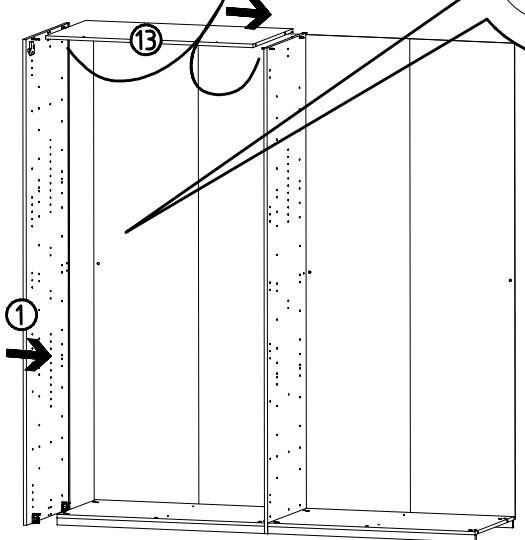
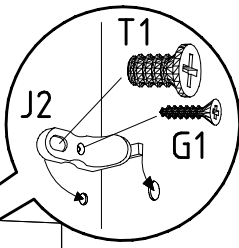
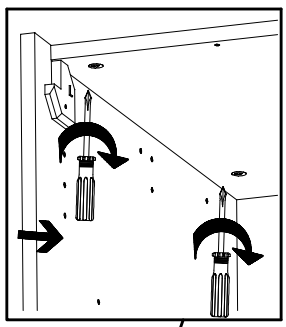
17



- 3,5 x 15 mm G1
- 121 370
- 111 611
- 6,3 x 10,5 mm T1
- 112 055

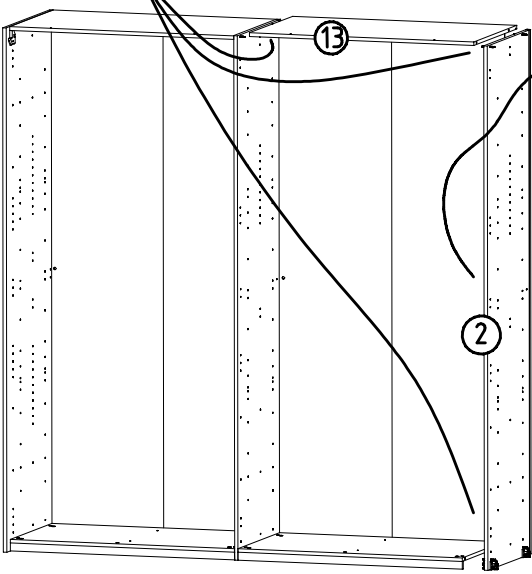
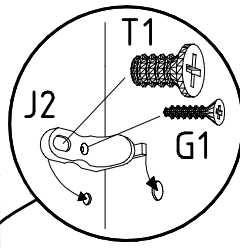
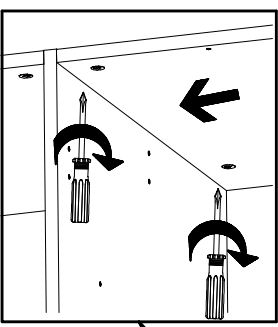
18

- 3,5 x 15 mm G1
- 121 370
- 6,3 x 10,5 mm T1
- 112 055
- 111 611

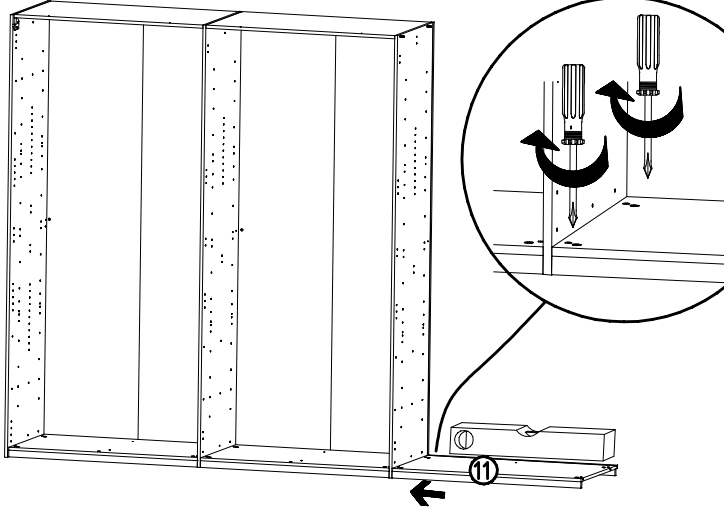
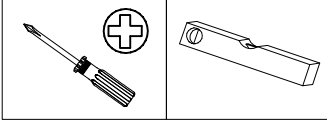
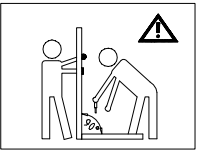


19

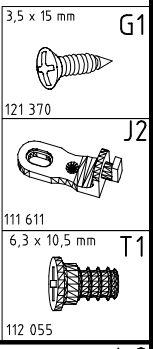
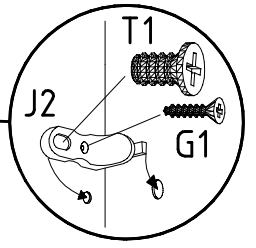
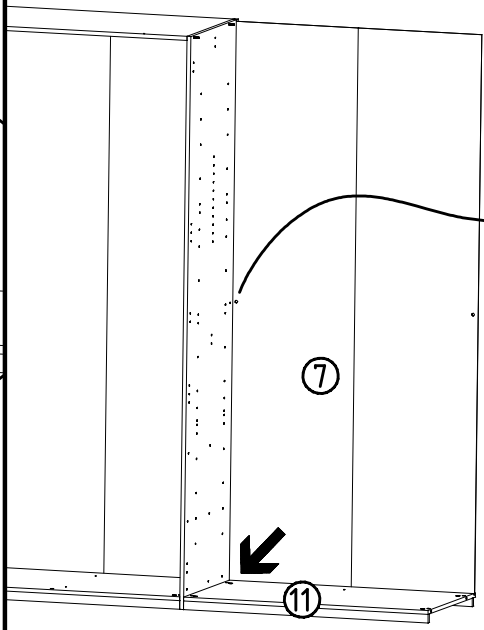
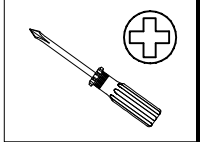
- 3,5 x 15 mm G1
- 121 370
- 6,3 x 10,5 mm T1
- 112 055
- 111 611



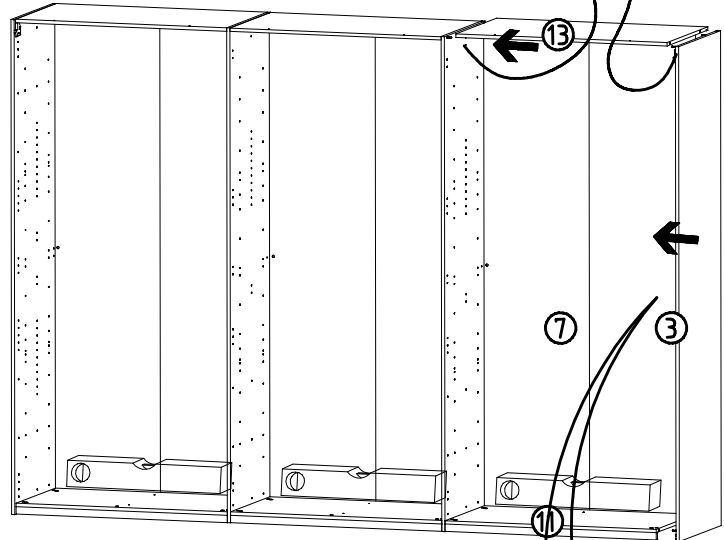
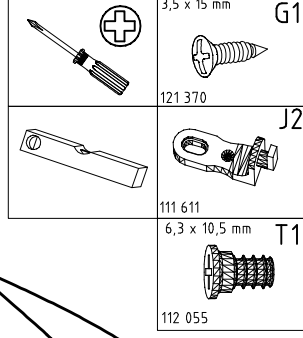
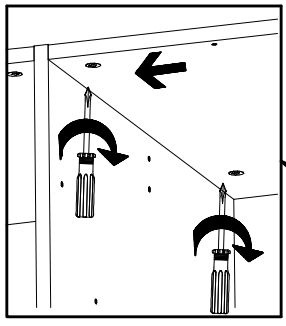
20



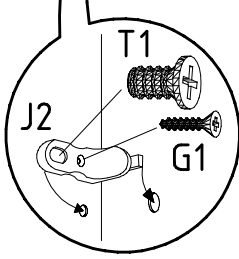
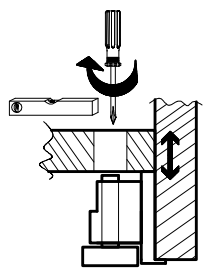
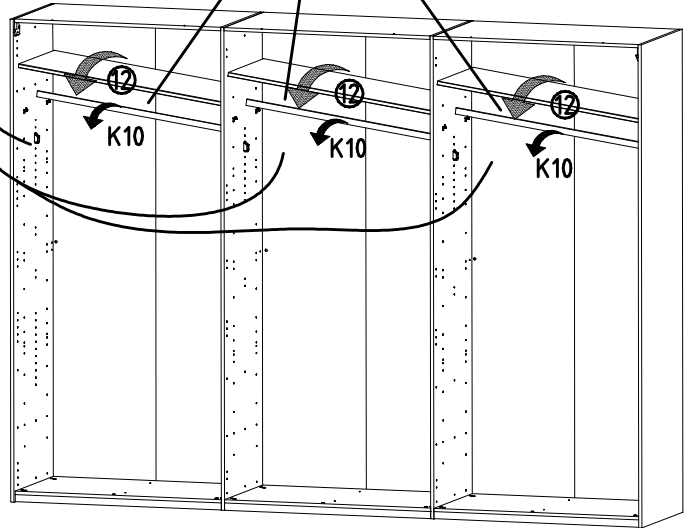
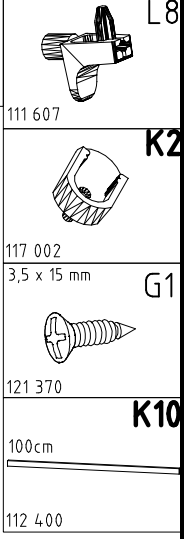
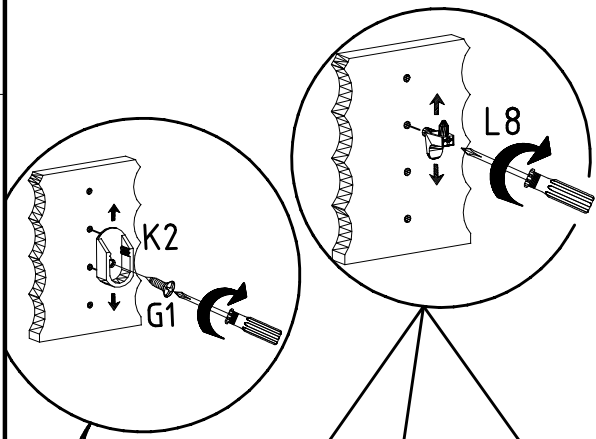
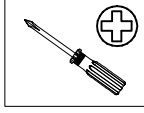
21



22



23

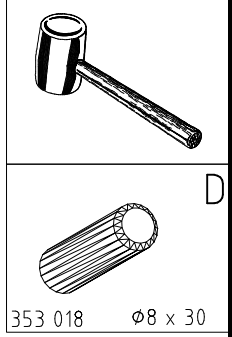
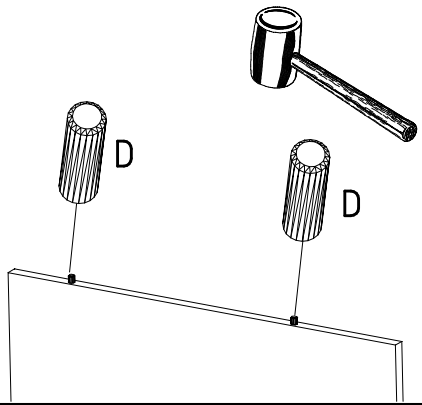
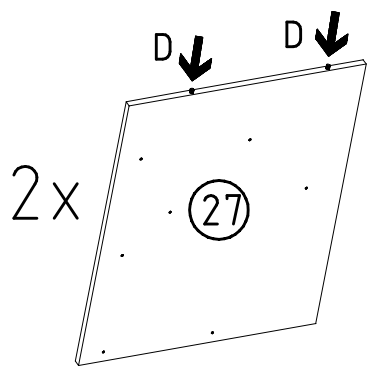


980713

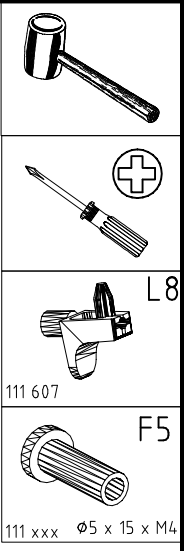
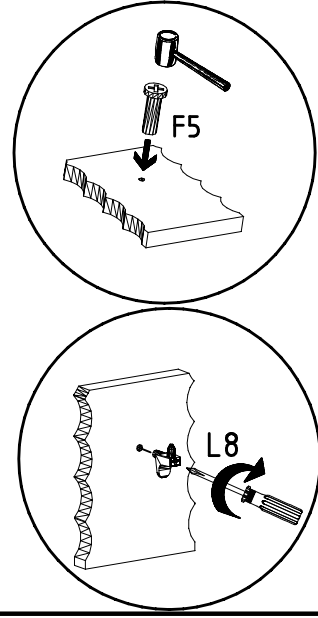
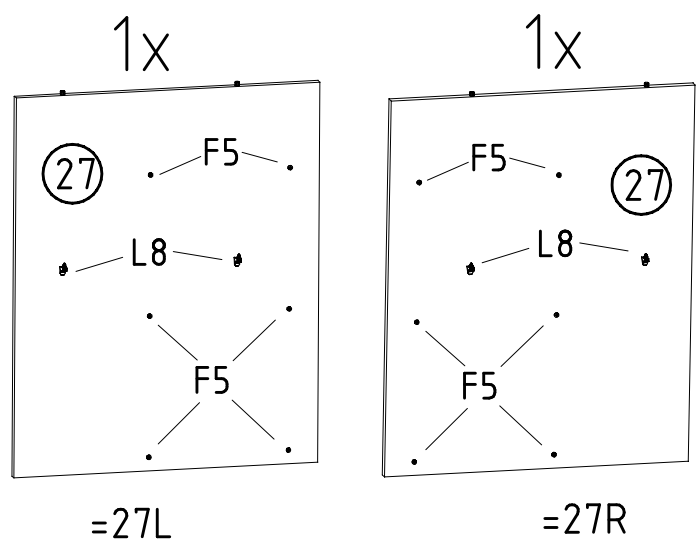
19.05.17 / -

05 17 | 13/26

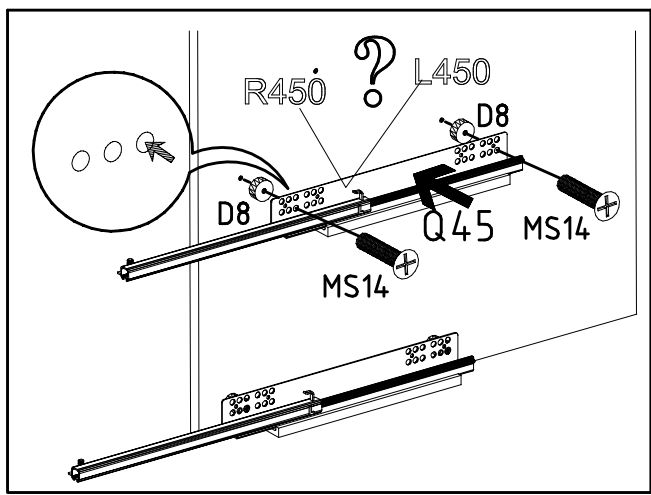
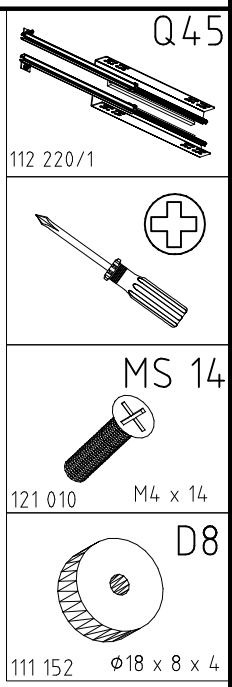
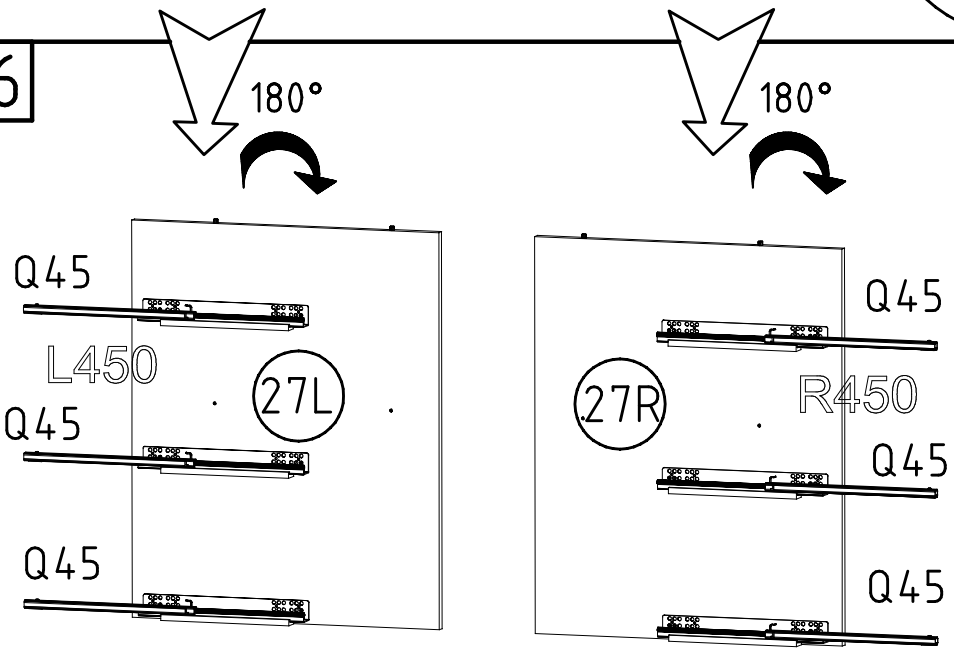
24



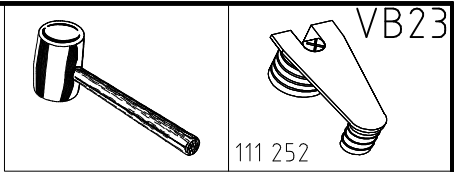
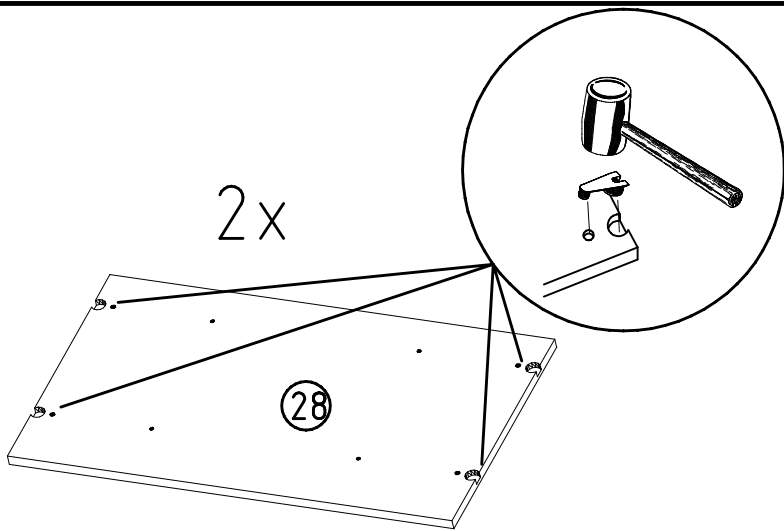
25



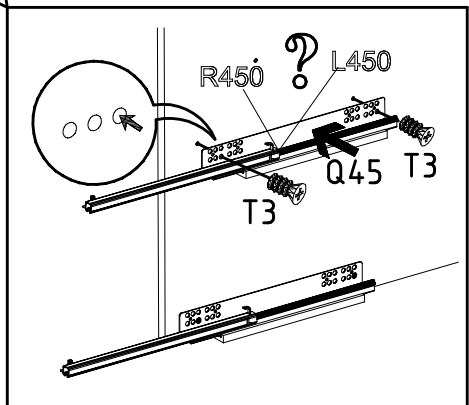
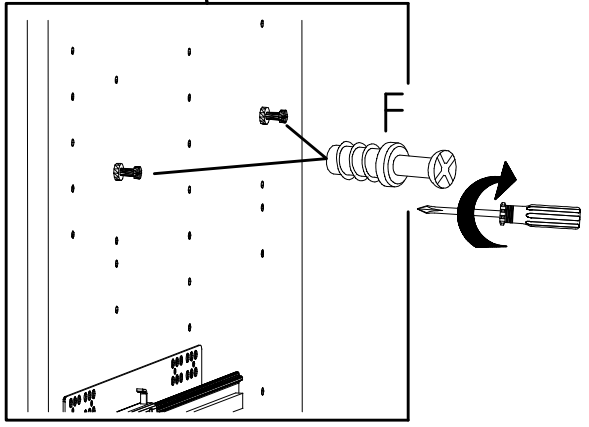
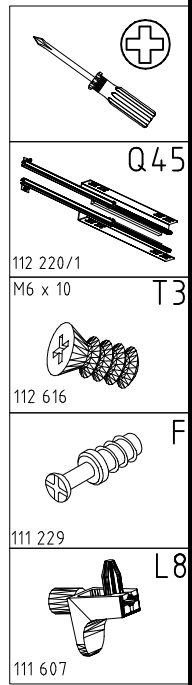
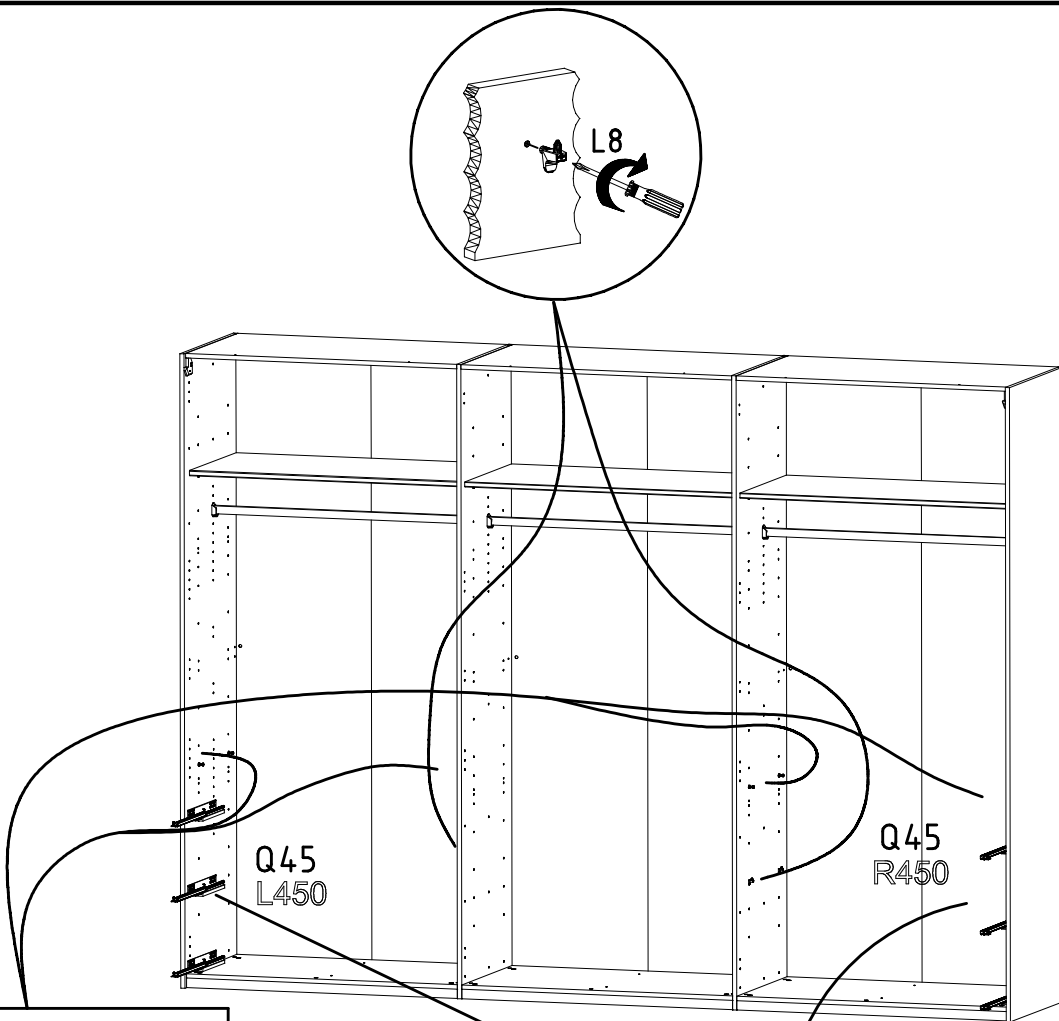
26



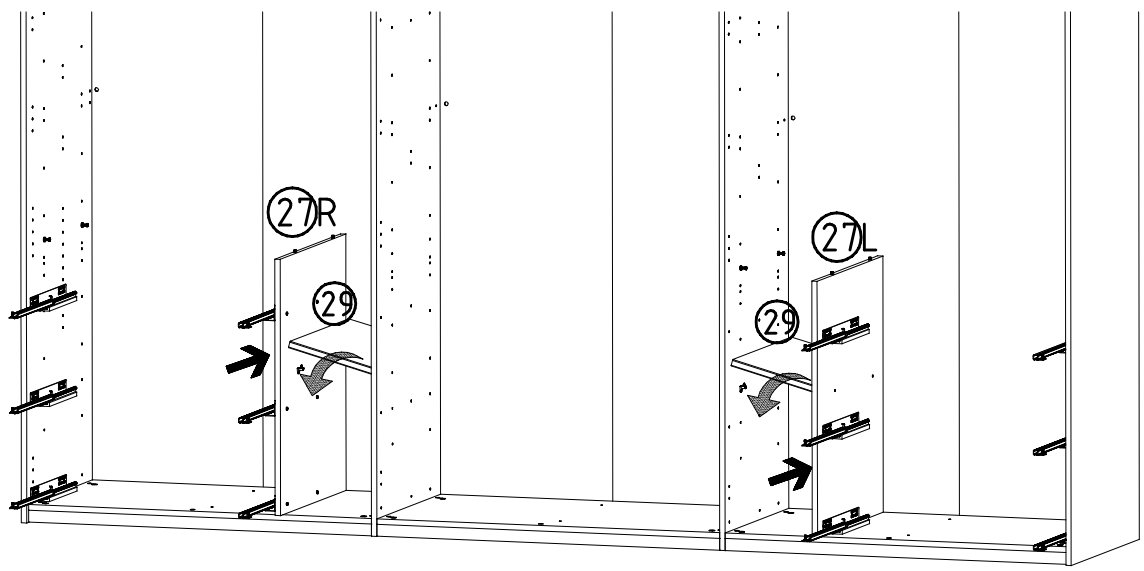
27



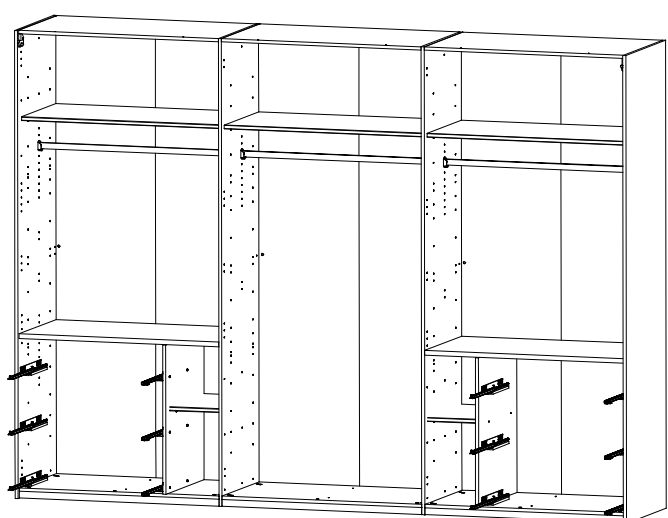
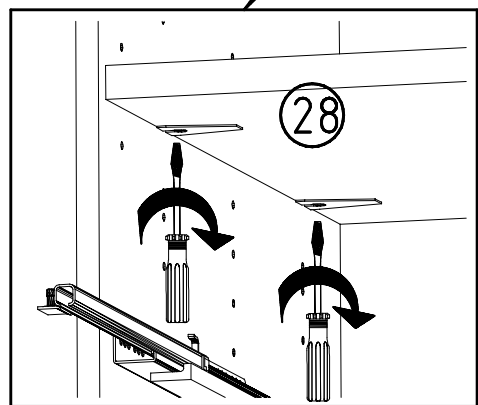
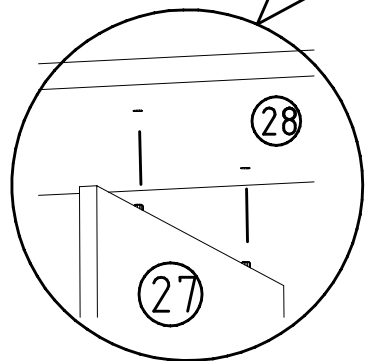
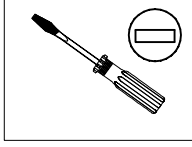
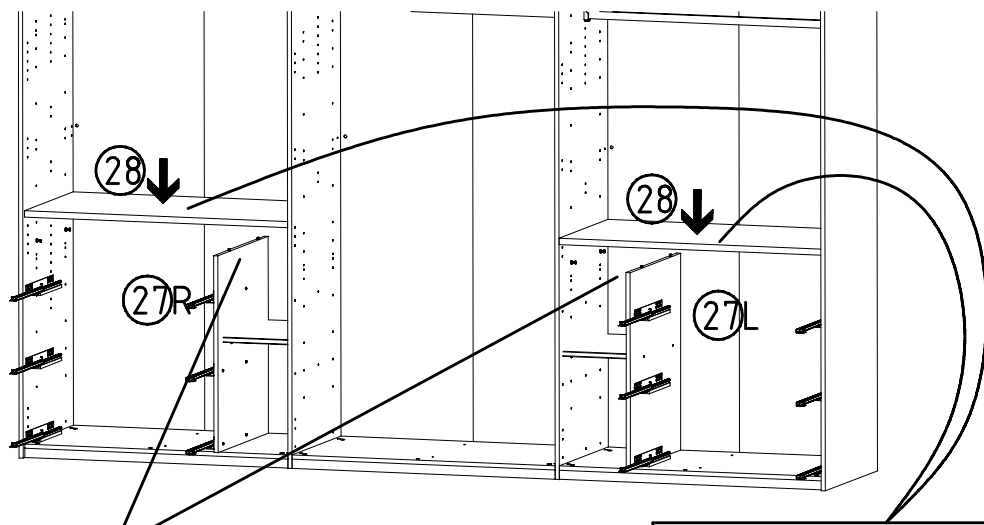
28



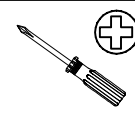
29



30

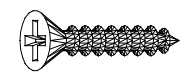


31

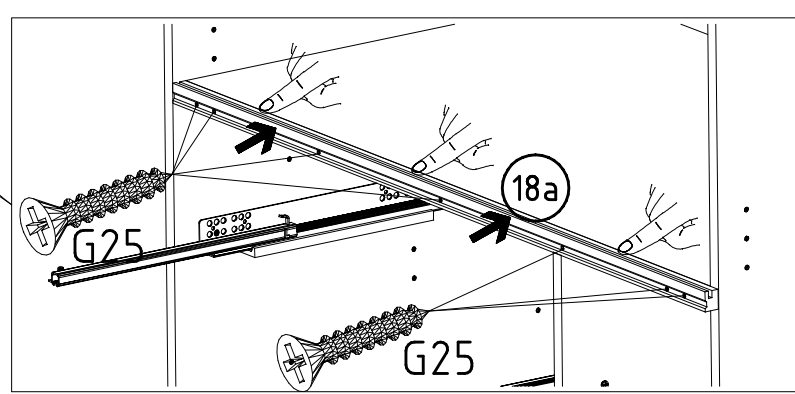
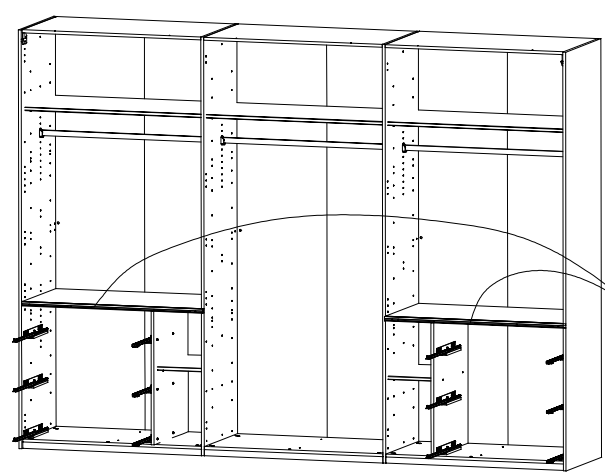


3,5 x 40 mm

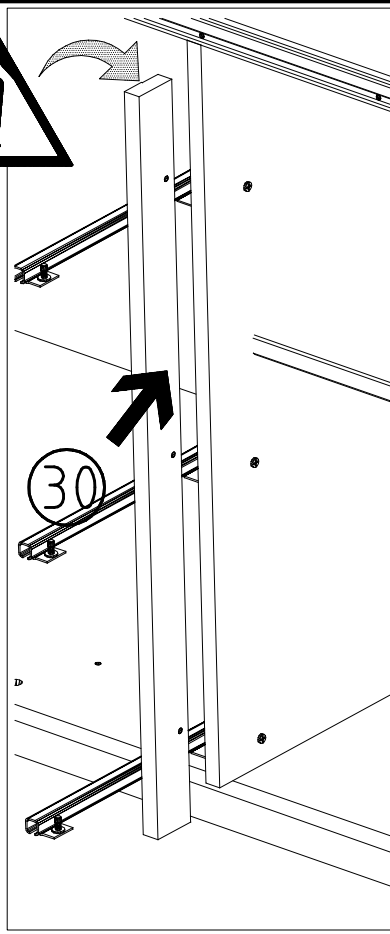
G25



121 119



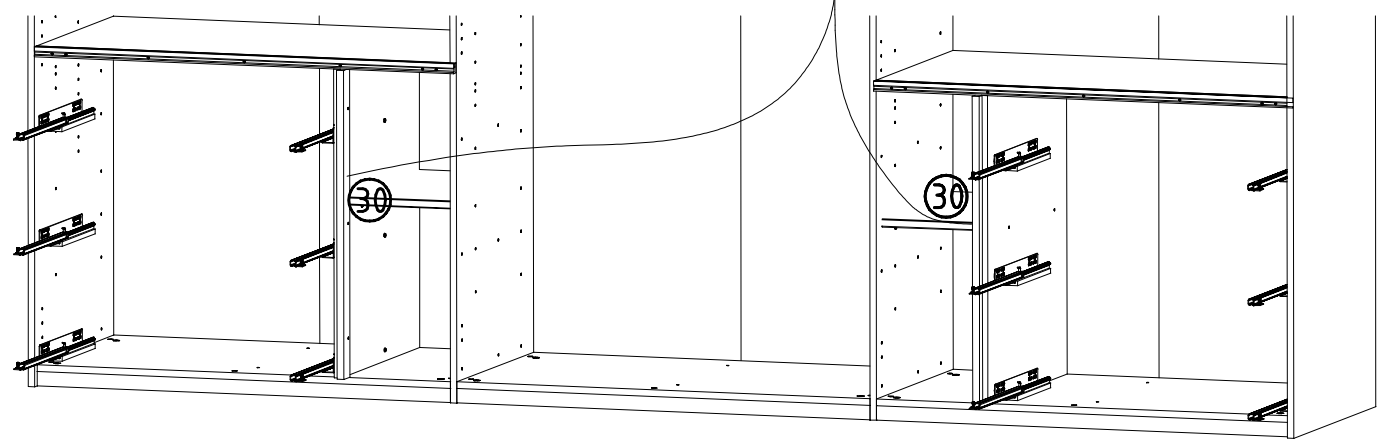
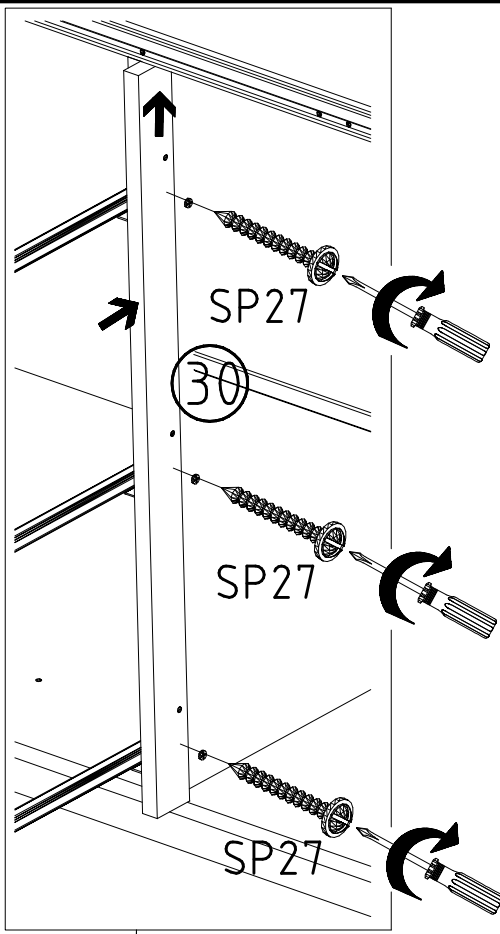
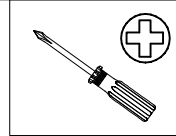
32



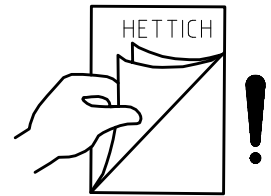
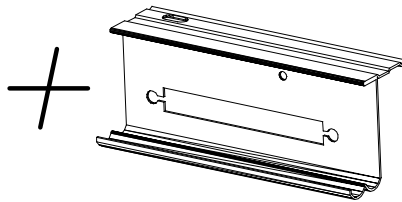
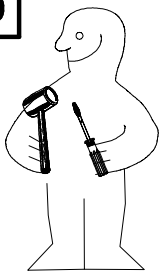
4 x 27mm

SP27

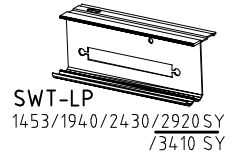
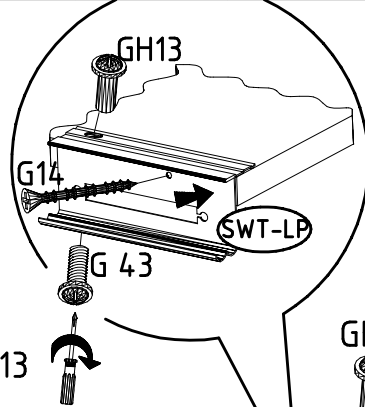
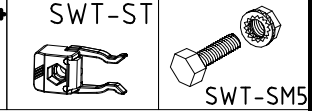
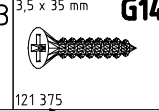
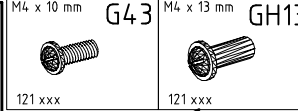
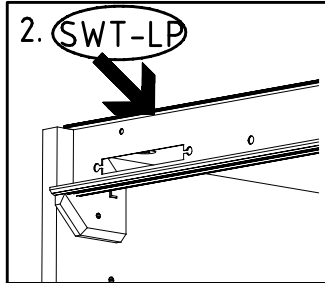
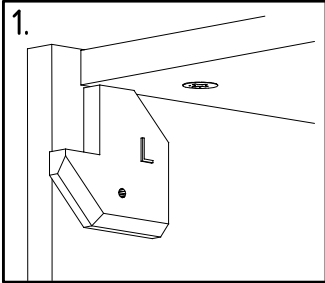
122620



33



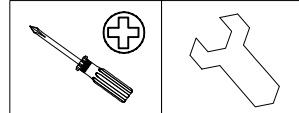
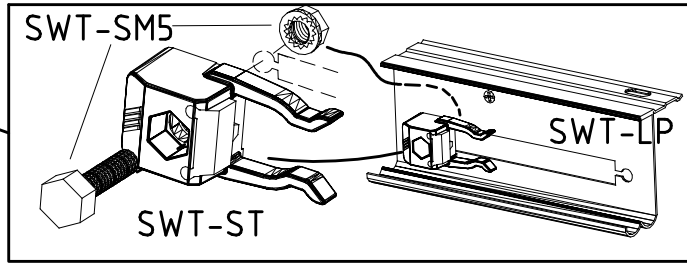
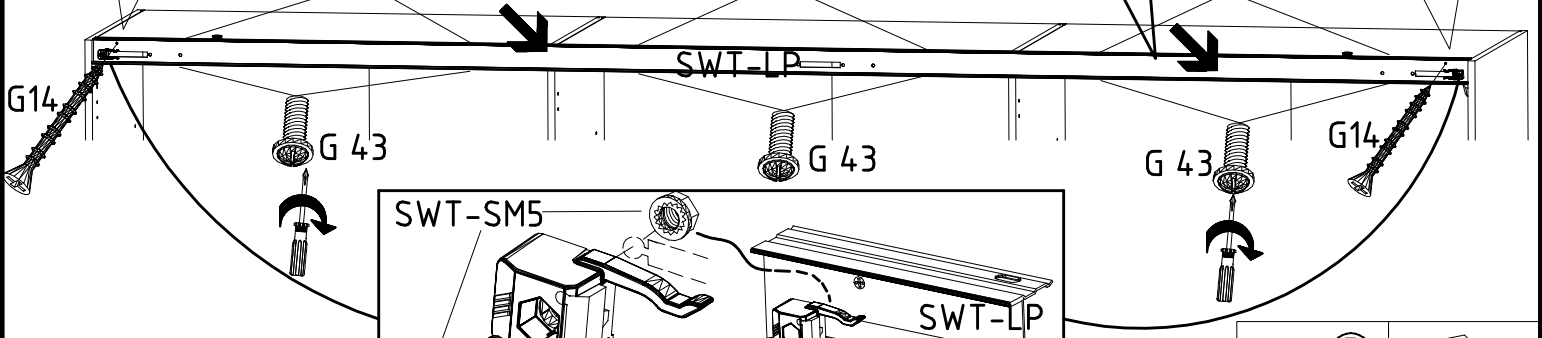
34



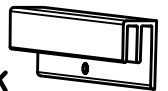
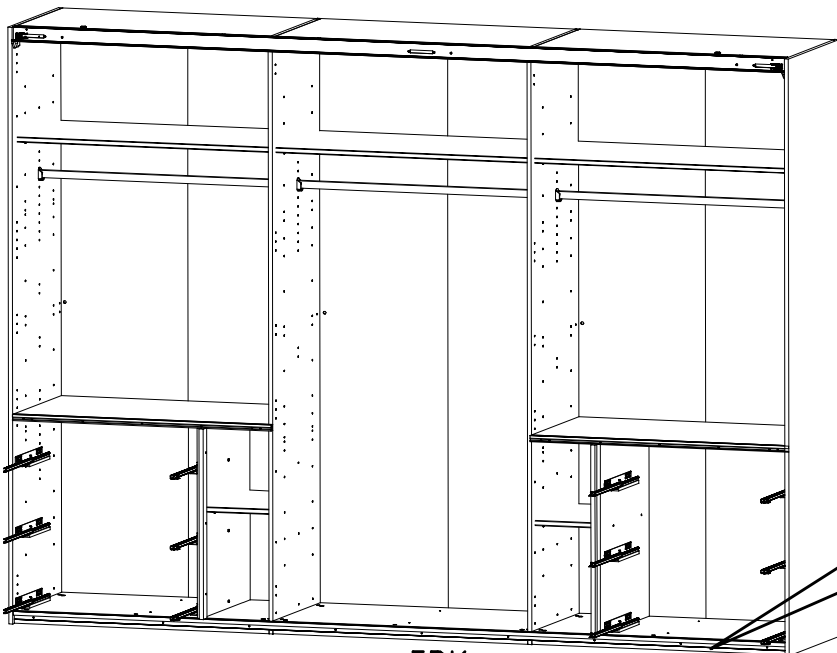
GH13

GH13

GH13

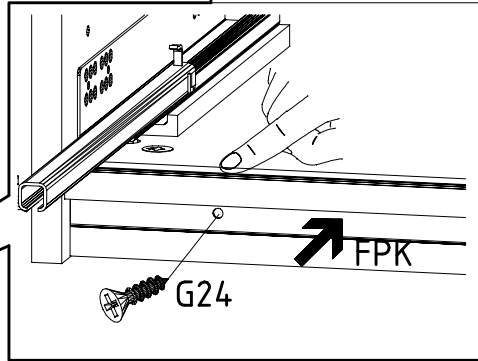
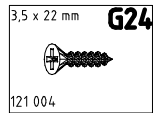


35



FPK

1453/1940/2430/2920/34.08

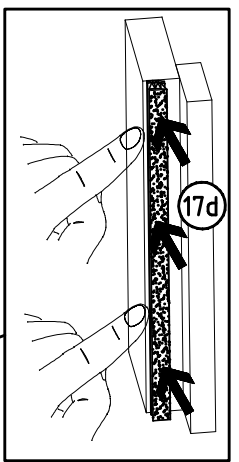
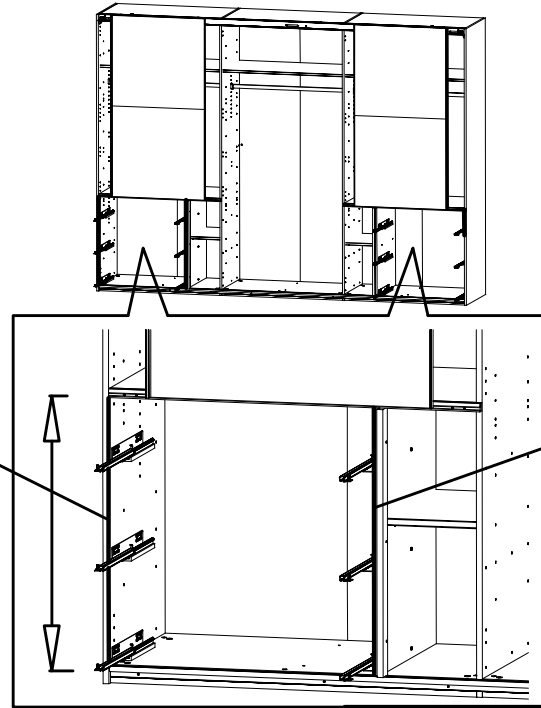
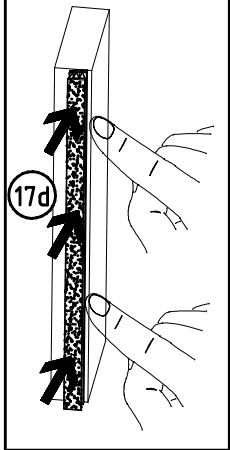
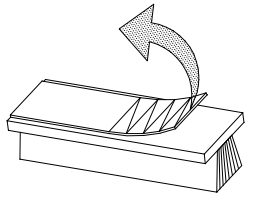
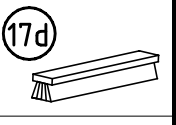
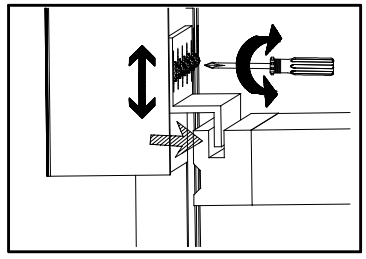
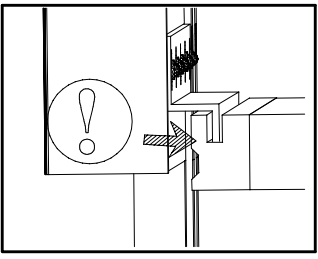
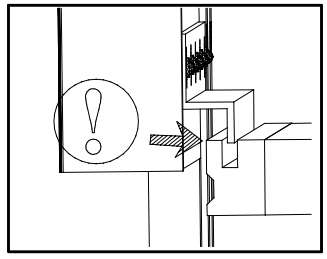
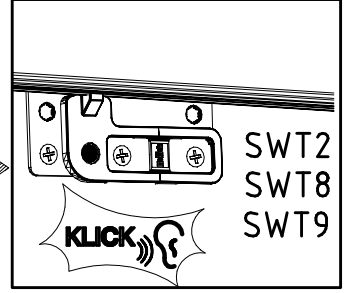
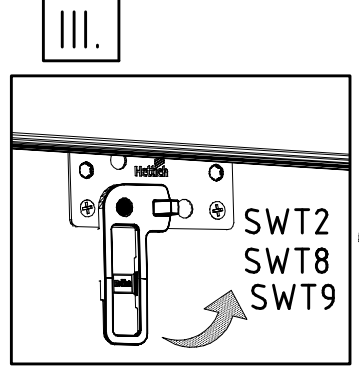
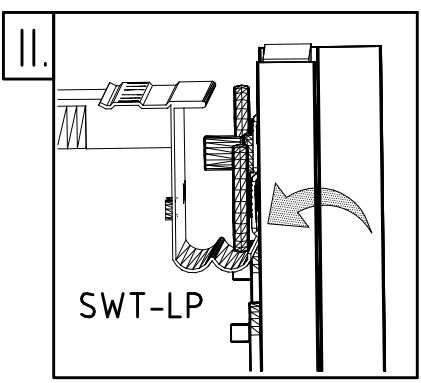
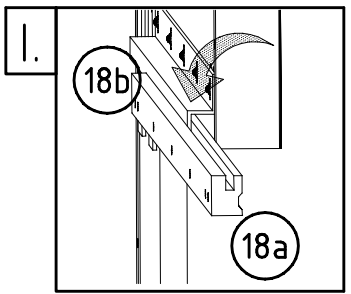
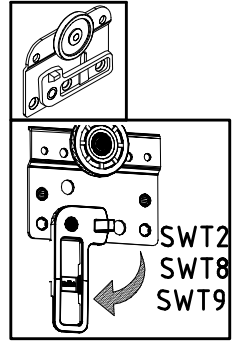
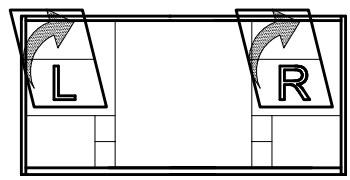
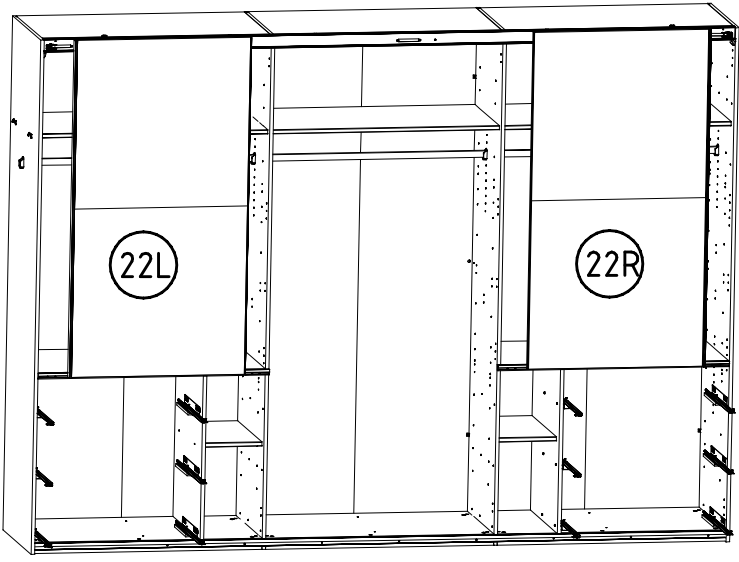
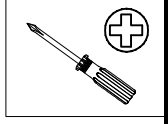
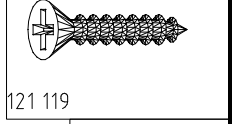


FPK

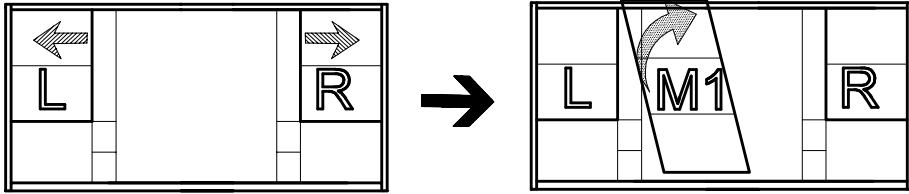
980713

19.05.17 / -

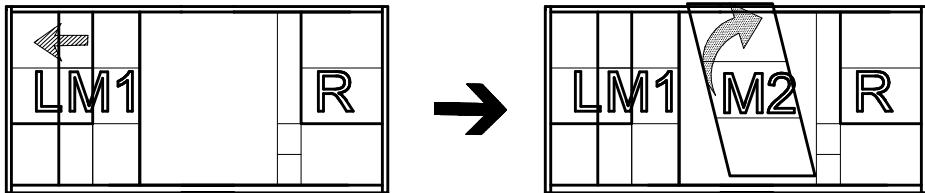
05 17 | 18/26



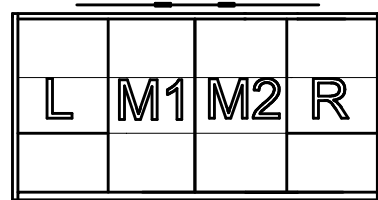
38



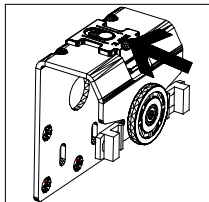
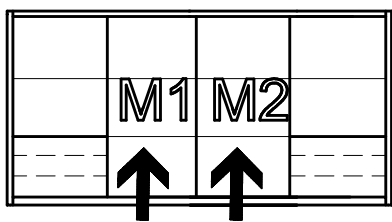
39



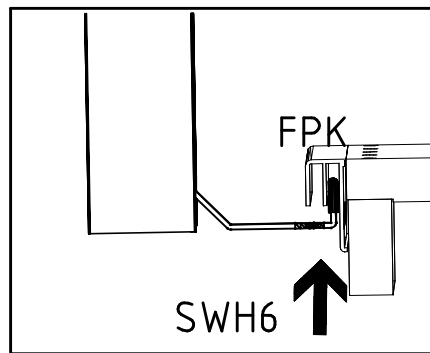
40



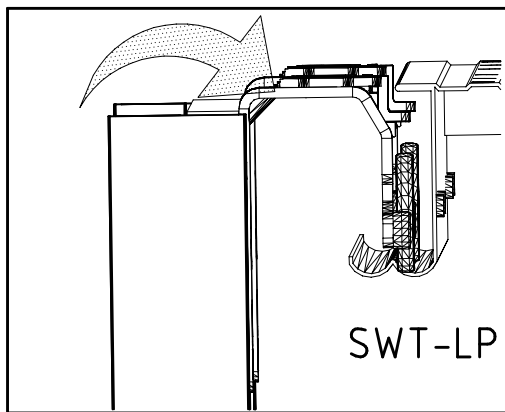
38 + 39



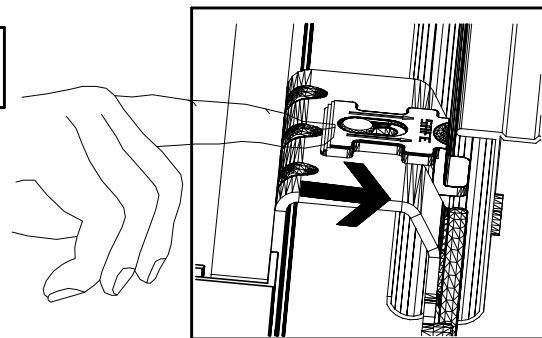
I.



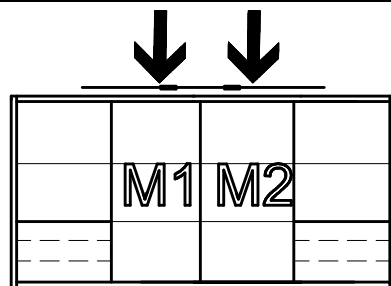
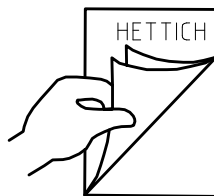
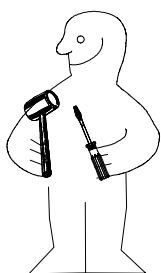
II.



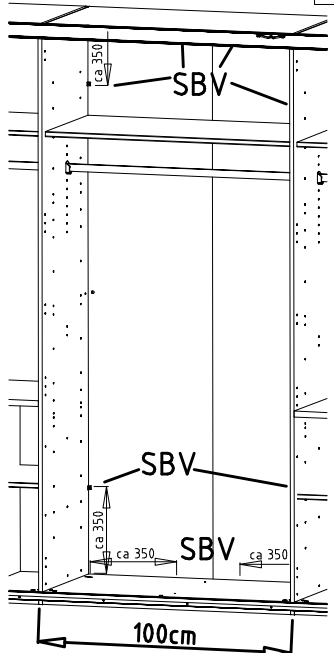
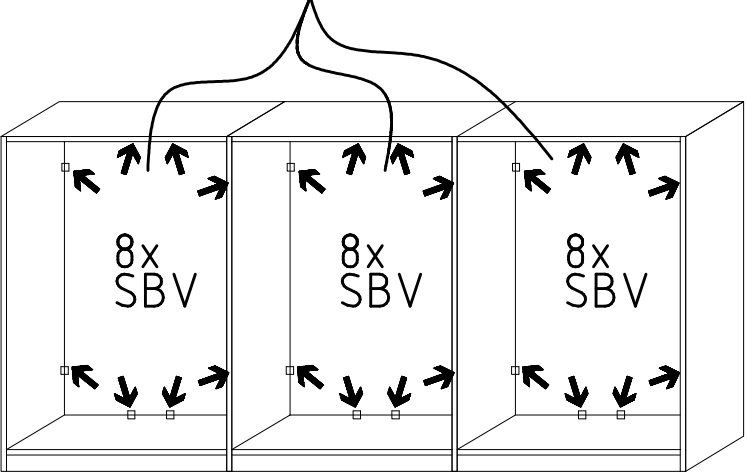
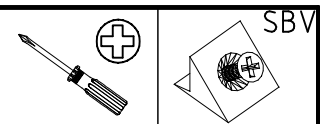
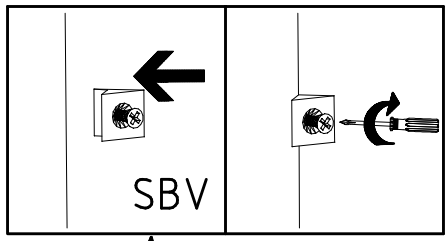
III.



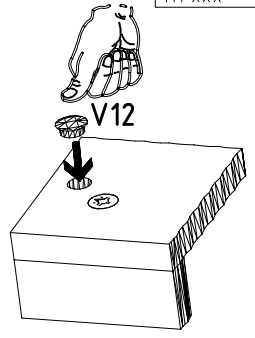
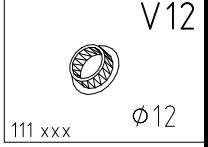
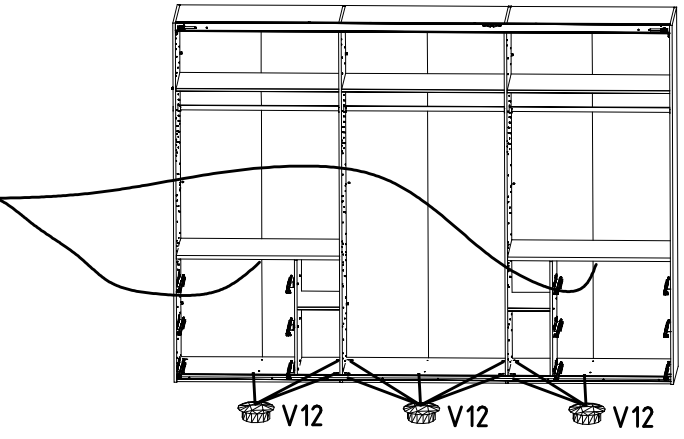
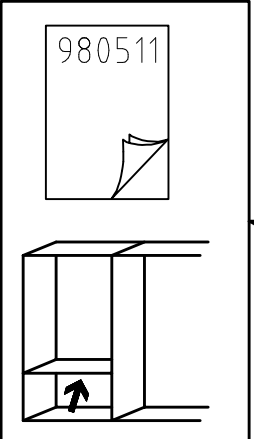
40



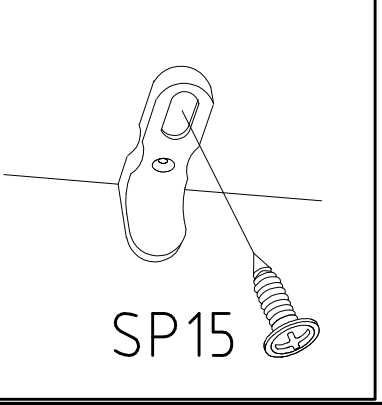
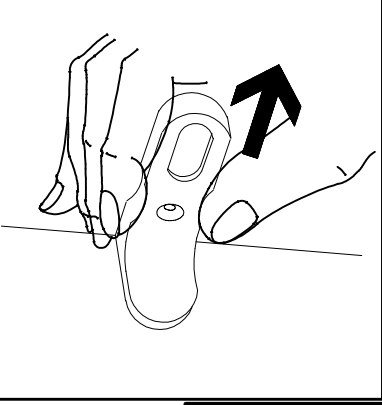
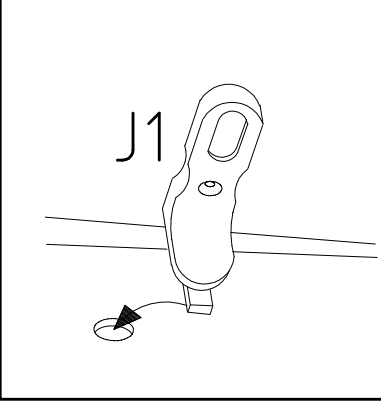
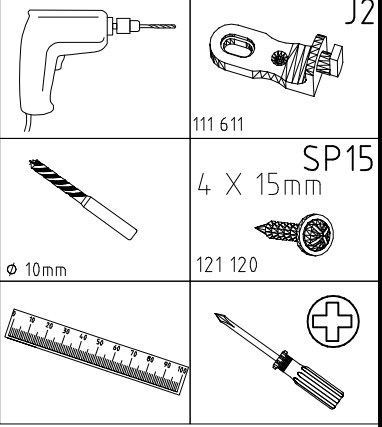
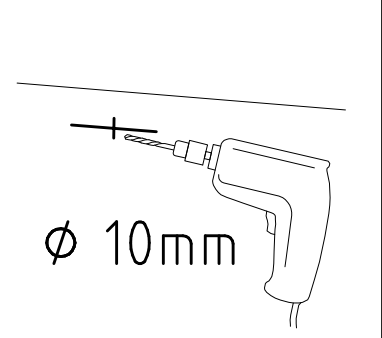
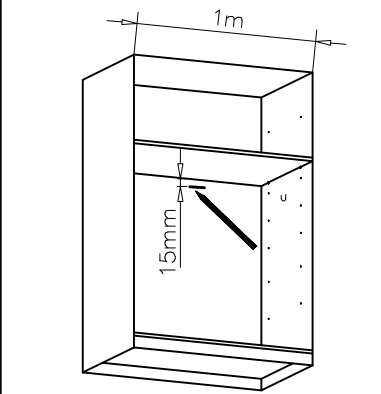
41



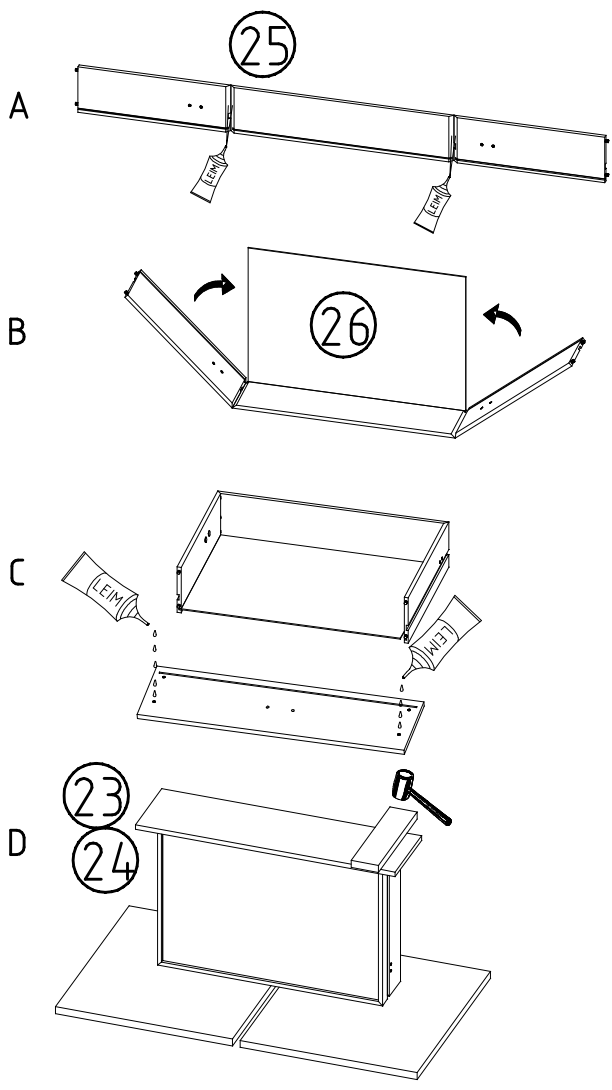
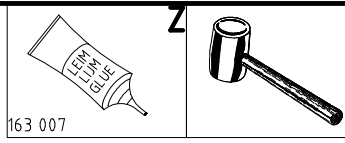
42



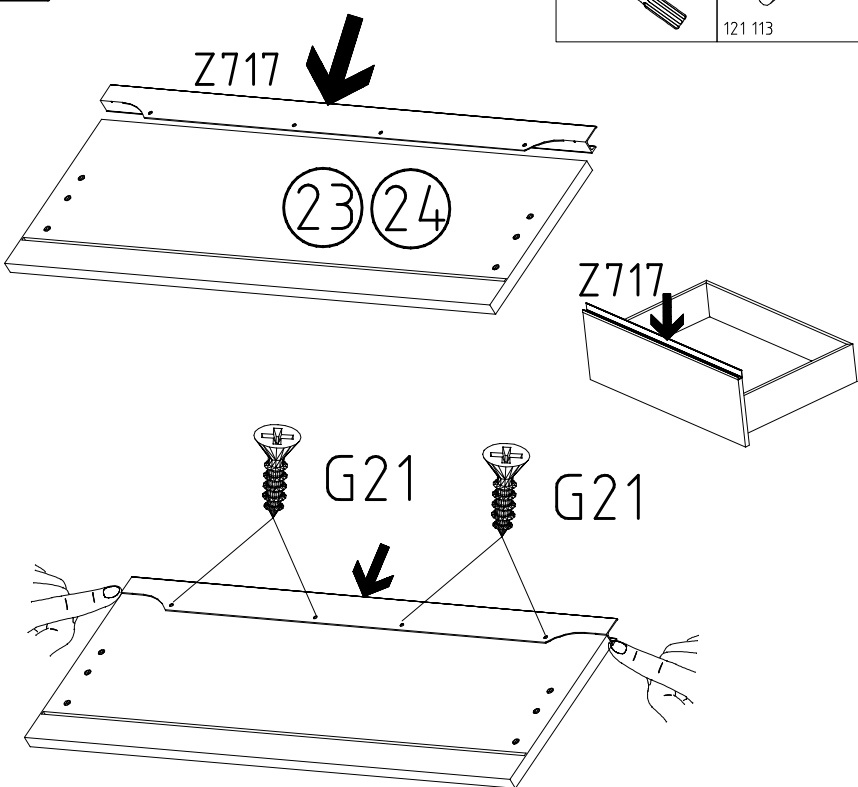
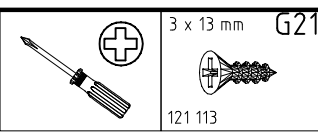
43



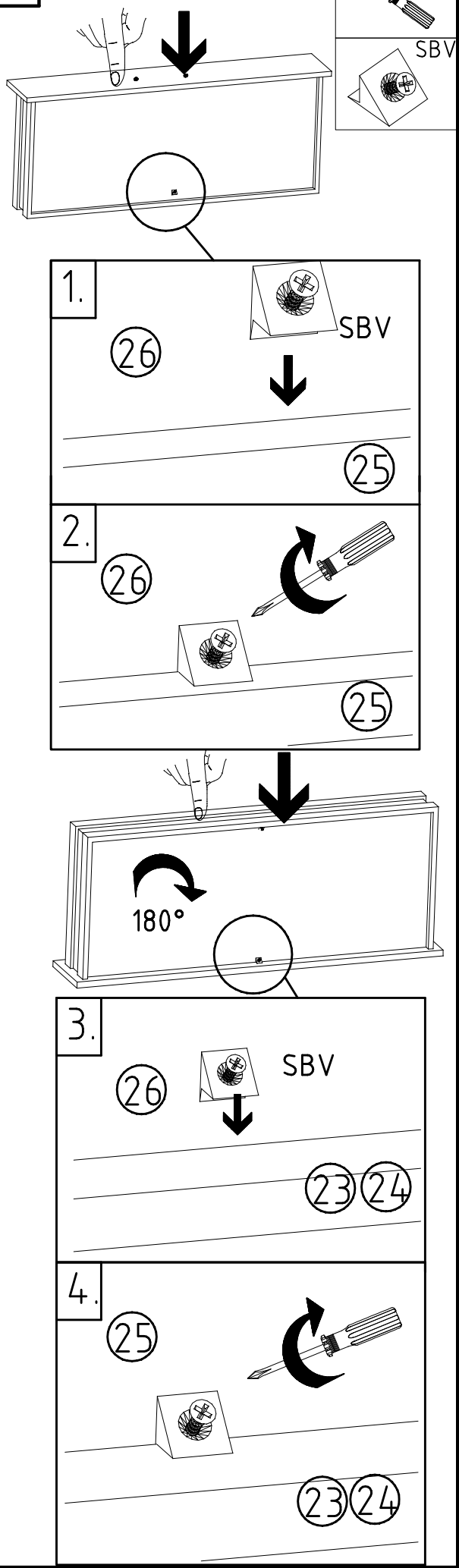
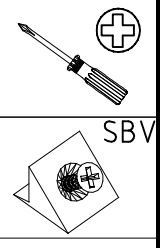
44

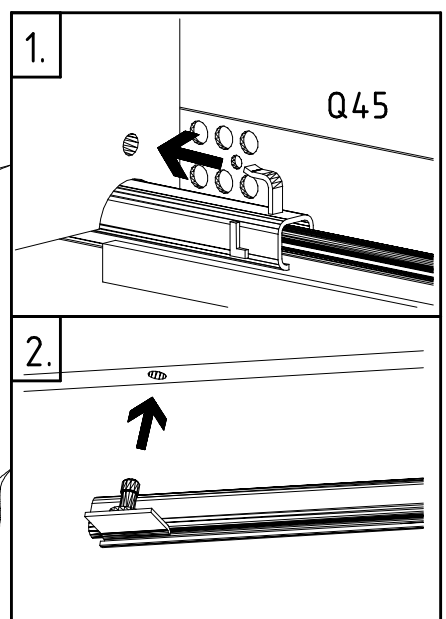
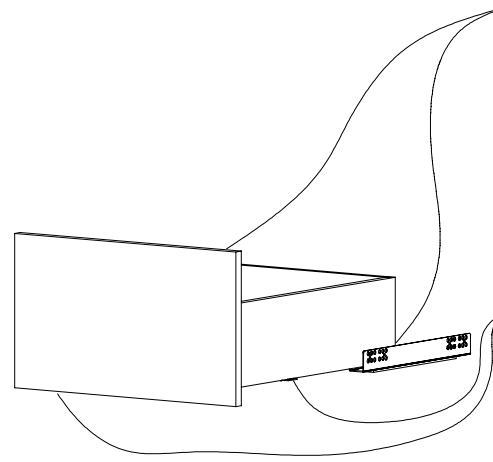
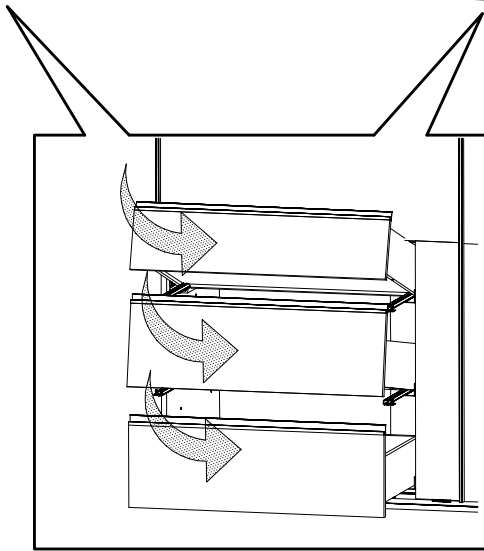
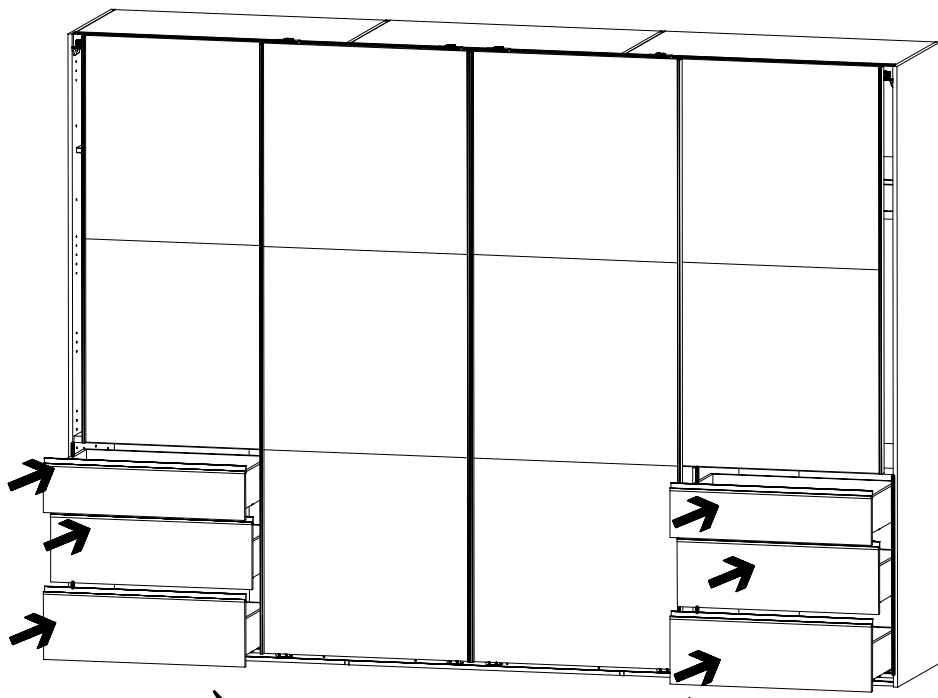


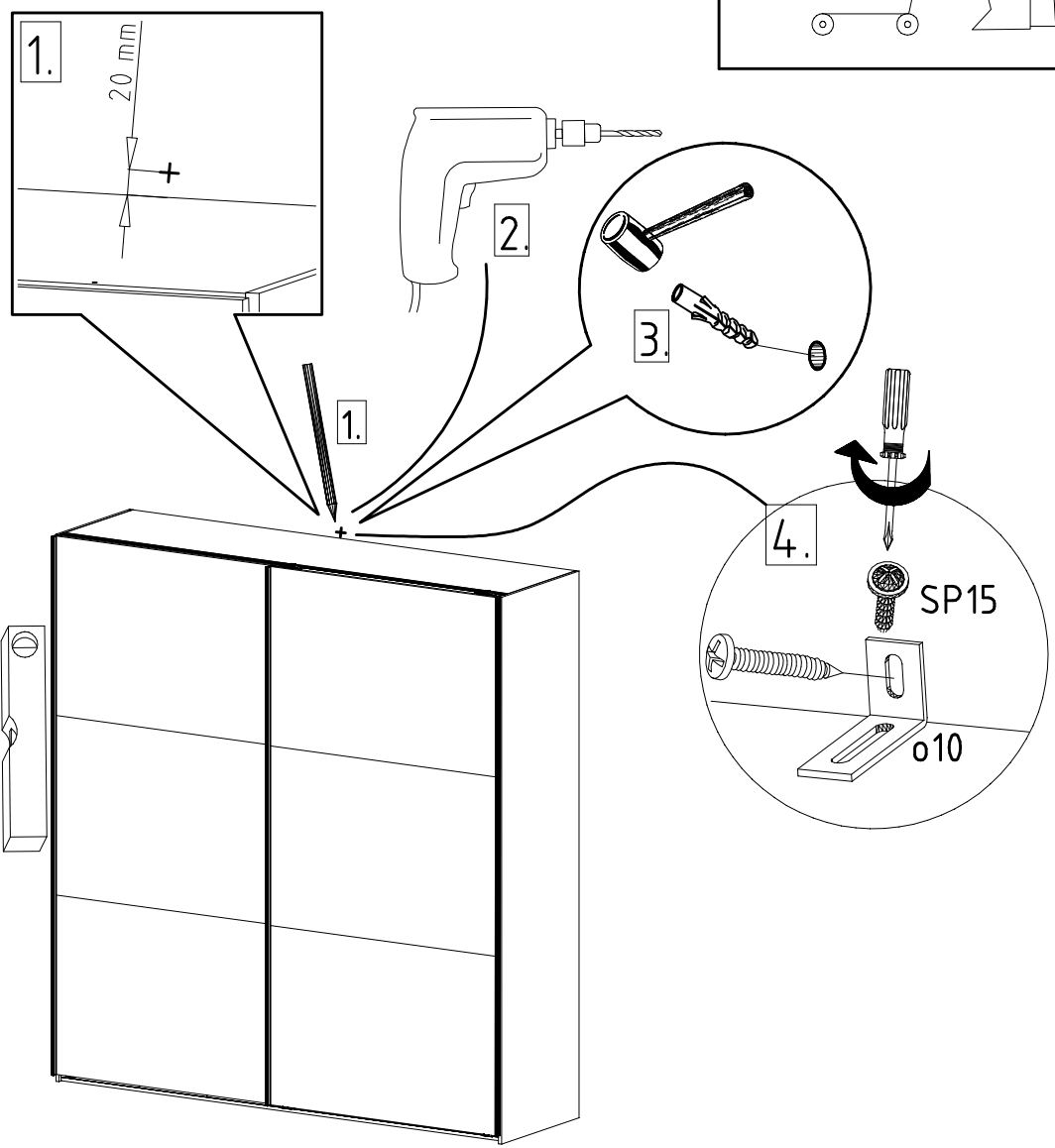
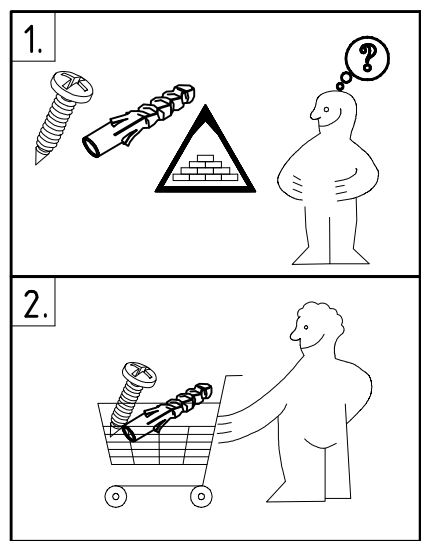
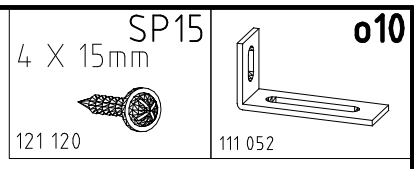
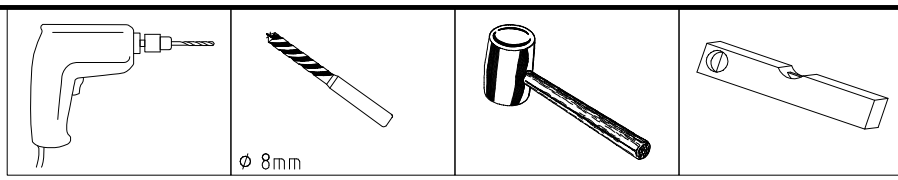
45



46









352 302

