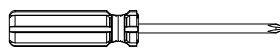
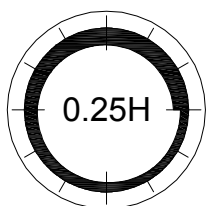
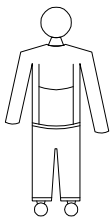
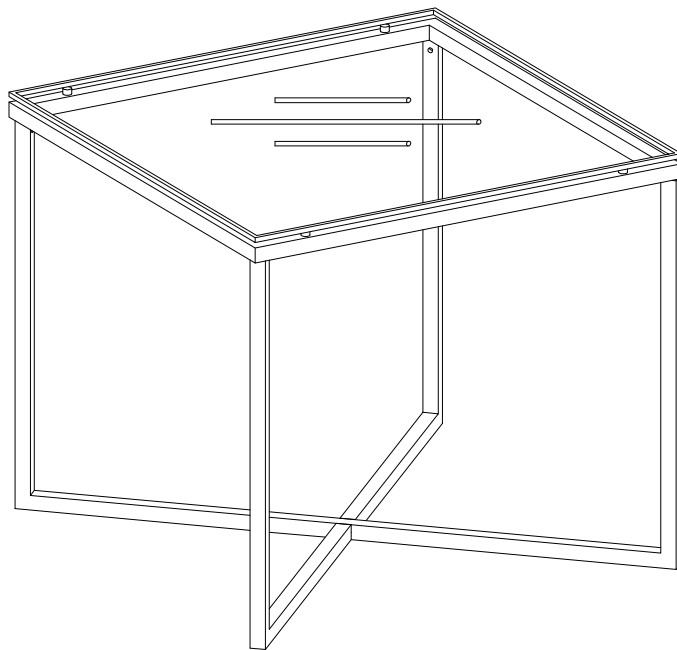
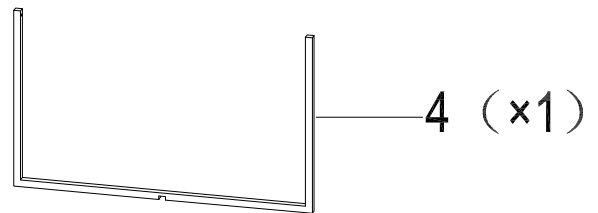
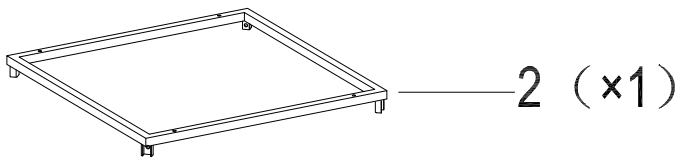
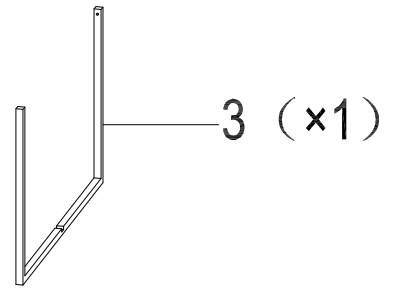
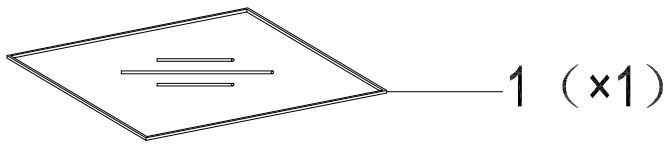


---

# CROSS End Table



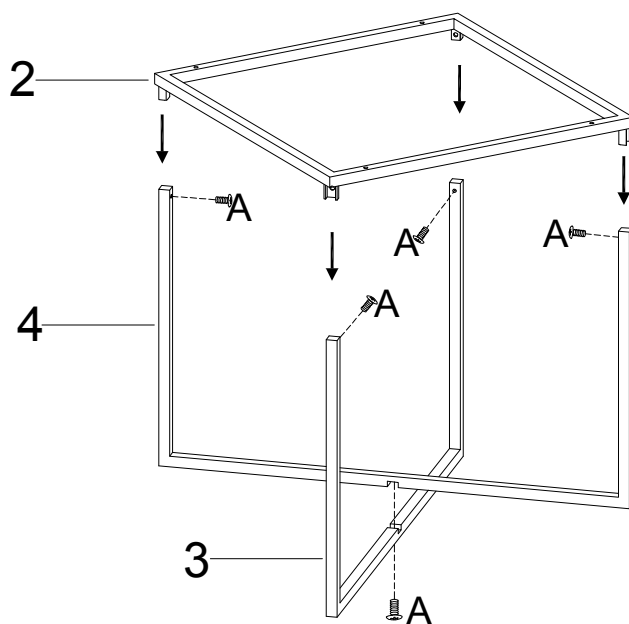
# CROSS End Table



M4X10mm

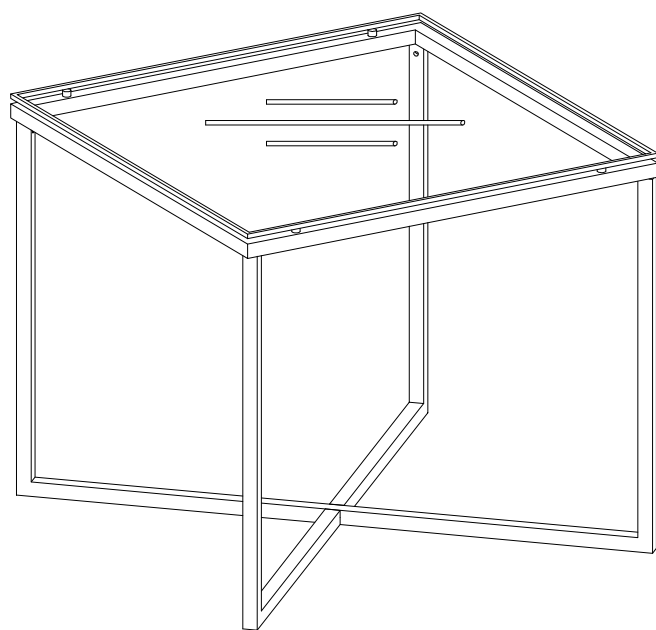
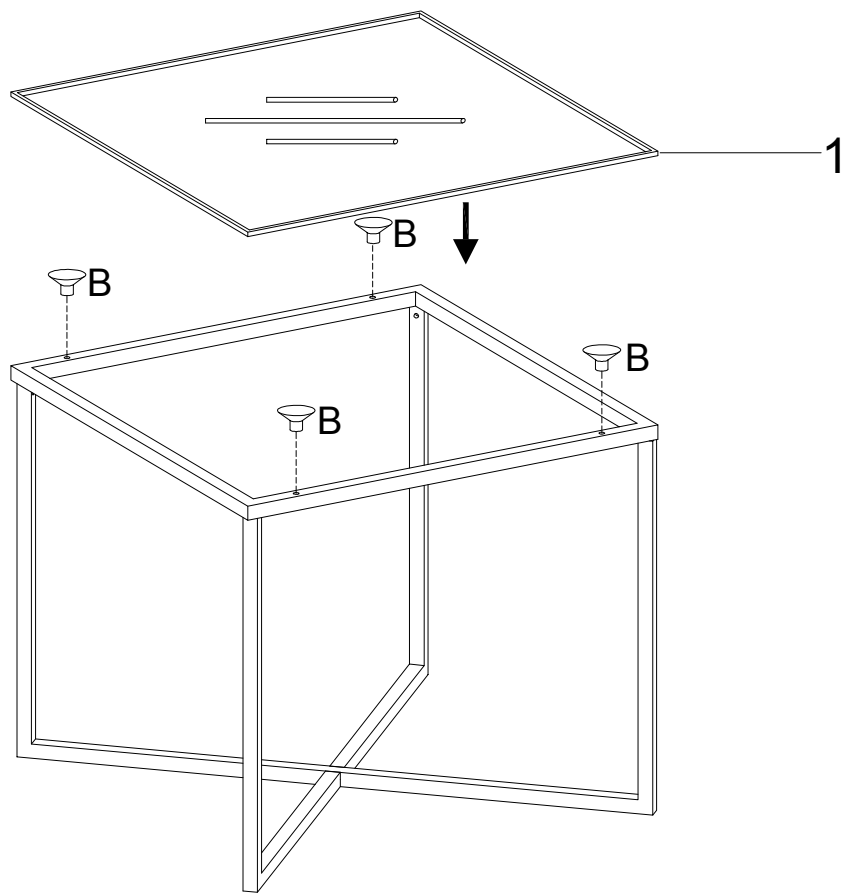
AX5

BX4



1

2



3