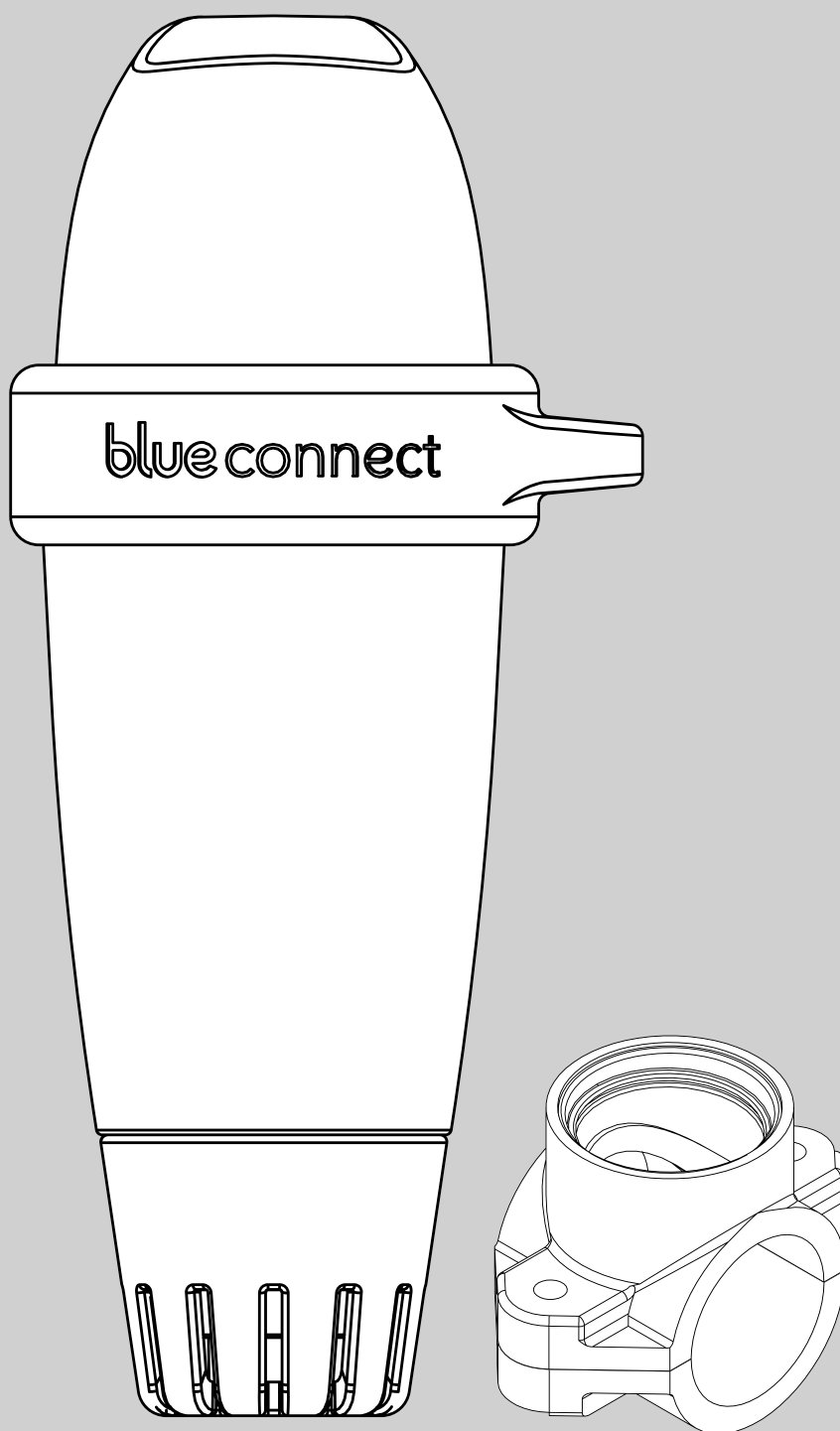


blue connect blue fit50

USER MANUAL



blue

Thanks for choosing **Blue Connect**.

www.blueconnect.io

Introduction

A. Overview

Blue Connect continuously measures the key parameters of your swimming pool (temperature, pH, ORP/Redox, conductivity). It also informs you of the external temperature and weather based on your geolocation. The results of this analysis are then communicated to you via notifications on the “**Blue Connect**” app (available on smartphone and tablet, compatible with Android™ and iOS). If the device detects that one of the parameters is incorrect, an alert informs you of this status and provides you with the instructions to follow to regulate and stabilize this parameter in order to maintain a healthy and balanced water.

Blue Connect measures the following:

- » Water temperature (°C, °F): An elevated temperature reduces the efficiency of disinfectant product and promotes the development of microorganisms.
- » pH (hydrogen potential): this value measures the acidic or basic character of a medium. pH contributes to the effectiveness of the disinfectant.
- » ORP/REDOX (measurement of active chlorine in mV): The ORP measure is reflected in milli-volts (mV). The measurement taken by the ORP probe of your Blue is a voltage in milli-volts (mV), which represents the more or less oxidizing nature of your pool’s water.
- » Conductivity¹ (µS): Measurement of the concentration of inorganic salts in the water by the ability of the latter to conduct electricity.

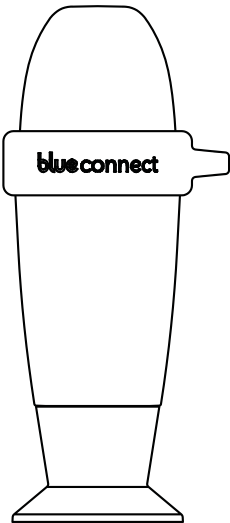
B. Precautions for use

- » Do not use **Blue Connect** for anything other than water analysis.
- » **Blue Connect** is not a toy. Avoid shocks as they may damage it.
- » Keep **Blue Connect** out of reach of children when handling it (e.g. calibration and standby) due to the use of chemicals. Store calibration products out of reach of children.
- » Do not open the top part of the device (except when replacing the battery). Follow carefully the battery replacement instructions. Damage caused by liquids is not covered by the warranty.
- » Do not open the bottom part of the device containing the probe (except when replacing the probe). Follow carefully the probe replacement instructions. Damage caused by liquids is not covered by the warranty.
- » Make sure not to leave the probe out of the water without the storage cap filled with KCl (saturated potassium chloride), pH4 or, as a last resort, running water with a good amount of cooking salt.
- » Do not use demineralized water in the storage cap.

¹ For salt pools, salinity (more precisely the total salt content) is measured on the conductivity basis. The salinity measured by the **Blue** is expressed in grams per liter (g/L) of TDS (Total Dissolved Solids). This is an estimate of the total amount of dissolved species in the pool, based on the assumption that the main species is sodium chloride (NaCl or cooking salt). Sodium chloride increases the conductivity of your pool water depending on its concentration. An estimate of the sodium chloride level based on the conductivity will deviate even more if other unknown salts are present in your pool. This deviation can be checked using colorimetric detection strips specific for sodium chloride.

- » Make sure the top part of the unit is out of the water to allow the communication system to work.
- » Do not leave **Blue Connect** in water with a temperature below 5°C or above 50°C.
- » Keep the **Blue Connect** serial number and key².
- » Store **Blue Connect** sheltered from frost.

Content of the box

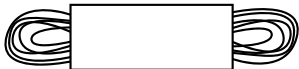


Blue Connect analyser: Delivered secured on the storage cap to protect the probe during transportation. The probe is immersed in KCl (saturated potassium chloride), which assures its protection.

The storage cap: Used to transport the probe out of the water or to keep the sensors immersed during an extended storage (in winter for example).



The usage cap: Must always be mounted on the device before placing it in water. It protects the sensors from any damage.



Cord: Allows to fix the device to a point of attachment.



Quick start guide: Helps you with the device start-up.

² On the back of the quick start guide and on **Blue Connect**'s storage cap.

App installation

1. Activate the Internet (Wi-Fi or 4G) and Bluetooth® on your smartphone or tablet.
NB: Stay close to your device throughout the whole **Blue Connect** activation process.



2. Download the free "**Blue Connect**" app on App Store® and Google Play™.



3. Authorize notifications to benefit from the alerts.

4. Login to "**Blue Connect**":
 - » via Facebook®.
 - » via Twitter®.
 - » via your email address.

5. Create your swimming-pool: enter your swimming pool's characteristics.
NB: You can view or modify the characteristics of your swimming pool at any time in "Settings" » "My Pool".

NB: To add a second swimming pool in the app, press the name of the active swimming pool and select "+".

The application is divided in four main sections³:



Dashboard: Informs you of **Blue Connect**'s status, the water temperature, the local weather and the quality of your pool water.



Table of values: Informs you precisely of the values measured by **Blue Connect**, trends and ideal values.



Maintenance guide: Advises you on the operations to perform to maintain the quality of the water in your pool.



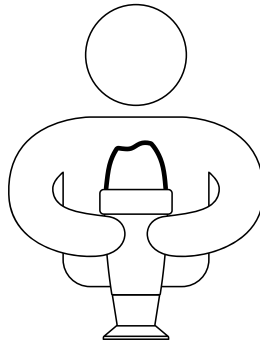
Settings: Allows you to configure the settings for your pool and **Blue** devices, as well as have access to help and technical support.

³ The app is subject to continual improvements and changes.

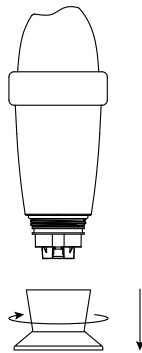
Blue Connect installation

A. How to start up Blue Connect?

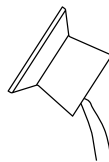
1. In the app, in "Settings" » "My **Blue Connect**", press "Add a **Blue Connect**" and insert the code (key) and the three last digits of the serial number (SN), which can both be found on the back of the start guide or on the storage cap of the device.
2. To start the device, you must activate it. The top of the device has a wave shape. Place the trough of the wave towards yourself and shake it sharply. You will hear two beeps, meaning that the initial activation was successful.



3. Press "ok" to finalize the activation process. The device is now linked to your account and permanently linked to Sigfox^{®4} network.
4. Place **Blue Connect** upright on the storage cap and unscrew it.

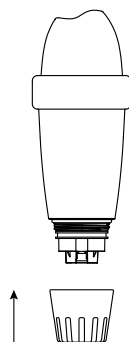


5. Empty the storage cap, rinse in clear water and store it.

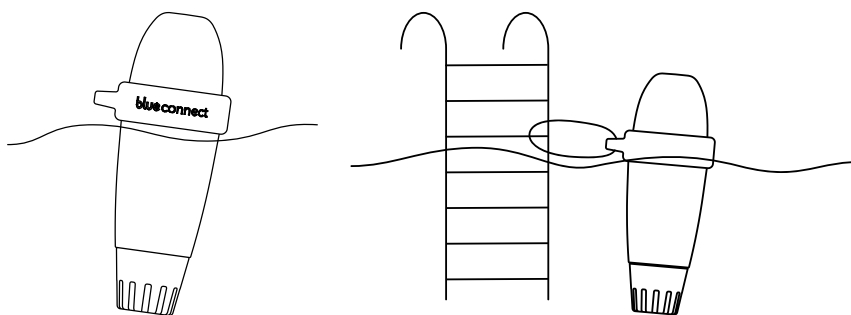


⁴ Sigfox[®] is a telecommunications network specialised in the Internet of Things. It is a cellular network that does not interfere with domestic Wi-Fi. You can check if your swimming pool is covered by the Sigfox[®] network by visiting www.sigfox.com/coverage. **Blue Connect** uses Sigfox[®] to transfer data to your smartphone.

6. Rinse the probe in clear water and place the usage cap on the external part of the device to protect the probes.



7. Place **Blue Connect** in the swimming pool:
- » In the **pool**: Leave it floating in the pool. If needed, you can secure it by fixing it to a point of attachment with the cord and the rubber ring.
 - » In the **technical room** with **Blue Fit50**⁵ (Cfr p.17).



NB: Make sure the device is in vertical position and the top part out of the water to allow a correct communication.

B. Notes

- » Do not leave the sensor exposed to air.
- » The Sigfox® network connects automatically and sends measurements at regular intervals.
- » The sensor may take a few hours to stabilise its parameters after its first immersion in the swimming pool.
- » In case of non-existent Sigfox® coverage, there are two options:
 - » **Blue Connect** operates in Bluetooth®. In such case, you must take daily Bluetooth® measurement(s) for the device to perform its analyser work.
 - » **Blue Extender**⁶ allows **Blue Connect** to connect to your Wi-Fi network. For further information, visit our website or contact your reseller.

Feel free to watch our **Blue Connect** start-up video available on www.blueconnect.io (help).

⁵ **Blue Fit50** is a **Blue Connect** accessory. It is available in the **Blue Connect Plus** pack, or sold separately.

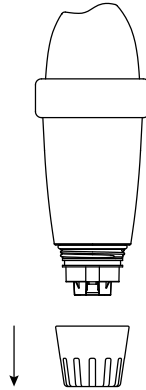
⁶ Sold separately.

Blue Connect maintenance

A. Calibration

NB: Calibration is not needed when receiving the device. Usually, calibration is needed once or twice a season. Use the specially designed calibration kit for Blue Connect or standard calibration solutions available in your pool store. Calibration products are for single use only. Never use them twice.

1. Take out the device from the water, pull out the usage cap and rinse the probe in clear water.



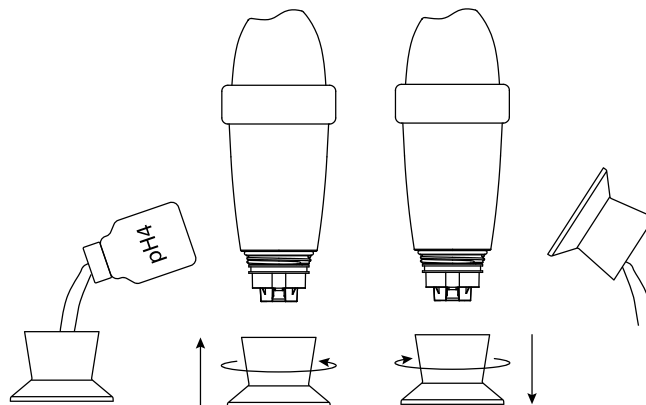
2. Rinse the storage cap with clear water and wipe it.

3. Activate the Internet (Wi-Fi or 4G) and Bluetooth® on your smartphone.
NB: Stay close to your device throughout the whole calibration process.



4. In the app, in "Settings" » "My **Blue Connect**" » "Probe settings", press "Calibrate **Blue Connect**". If you can choose among several products, select the calibration solution you will use.

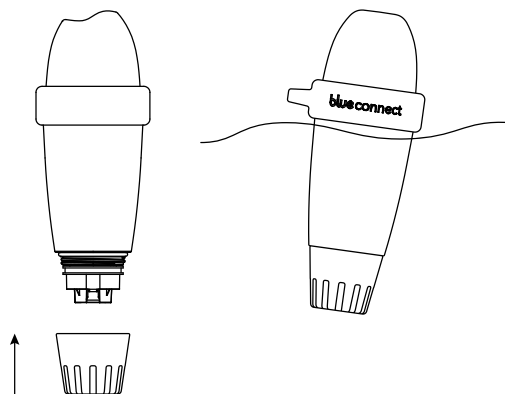
5. Place the calibration solution in the storage cap and screw it to the device. Then, press "Next". At the top of the screen, you will see the progression of the measurement. Once the measurement is complete, unscrew the storage cap and rinse the probe. Empty, rinse⁷ and wipe the cap.



⁷ Always clean the probe and storage cap with clear water after using a calibration product to avoid mixtures.

6. Validate calibration.

7. Place the usage cap and place back **Blue Connect** in the swimming-pool.

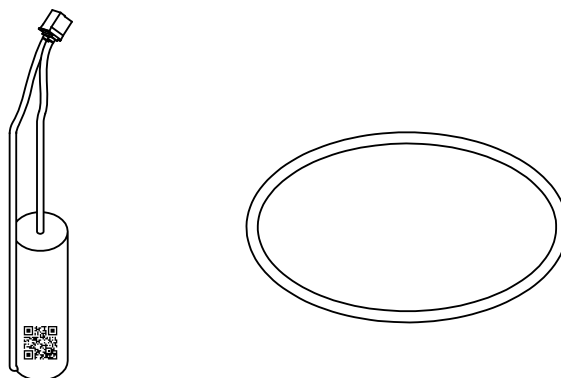


B. Battery replacement

The battery needs to be replaced approximately every two years. Please contact your reseller to get a new one.

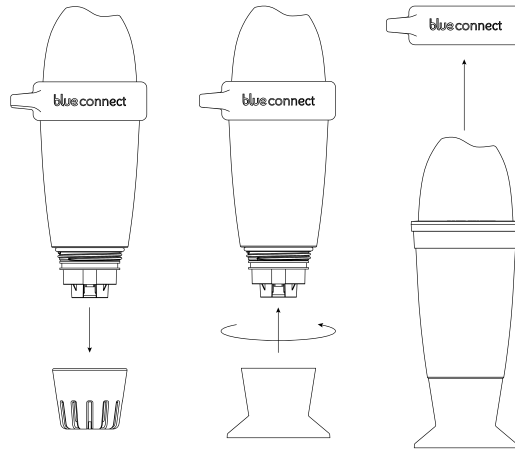
NB: To ensure an optimized battery life, put **Blue Connect** into standby mode when the pool is in winterization (Cfr p.14).

The box includes:

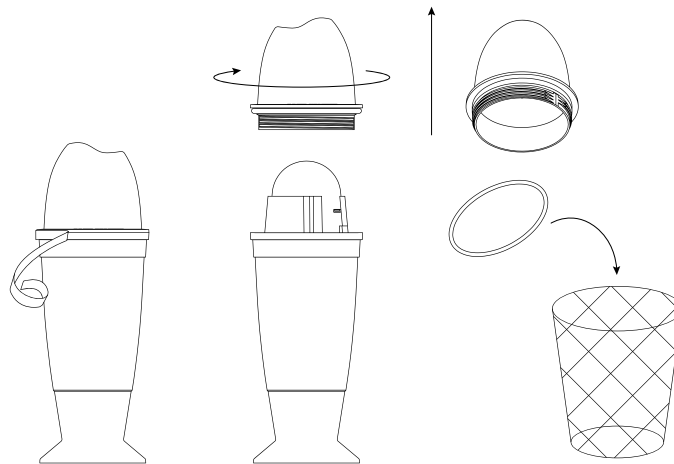


Installation:

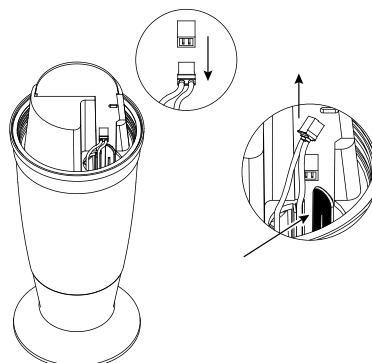
1. In "Settings" » "My **Blue Connect**", press "Battery replacement".
2. Take out the device from the water, remove the rubber ring and the usage cap and place **Blue Connect** on the storage cap.



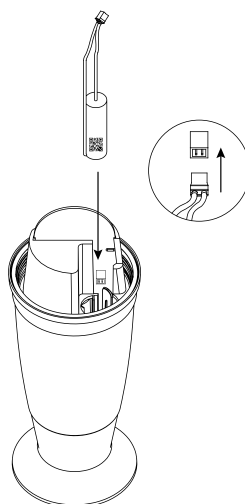
3. Wipe it and start the procedure in a dry and clean place.
4. Remove the adhesive tape and unscrew the upper part of the device. This is a left-hand thread. Unscrew it in a clockwise direction. Remove the seal and discard it.



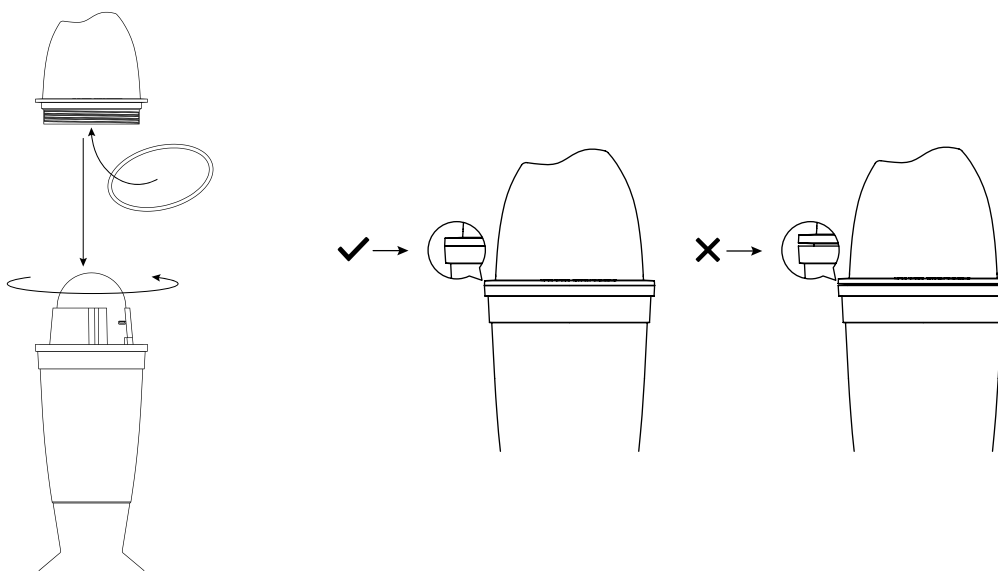
5. Unplug the white connector by pulling the red and black cable. The battery is at the other end of the cable. Press the plastic rod to release the battery, and remove it by pulling the cable.



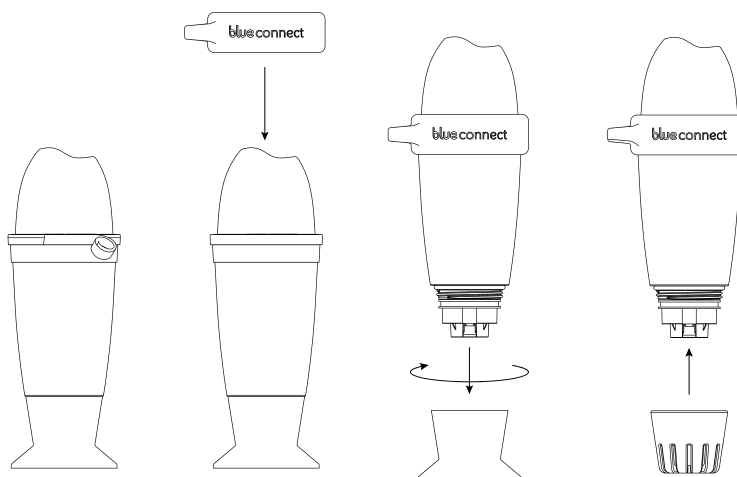
6. Place the new battery at the bottom of the cavity until it is secure. Then, plug in the connector.



7. Place the new seal supplied with the battery on the screw thread of the upper part of the device. Close the upper part. This is a left-hand thread. Screw it counter-clockwise.



8. Replace the ring. Then, place the usage cap and place **Blue Connect** back in the water.

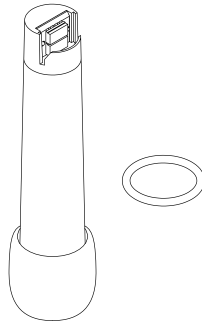


C. Probe replacement

The probe needs to be replaced approximately every two years⁸. Please contact your reseller to get a new one.

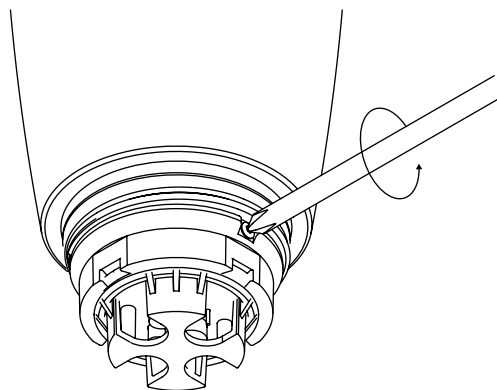
NB: To ensure maximum longevity of the probe, keep it for as long as possible in a humid environment. If you take the device out of the water, you must screw it to the storage cap with KCl (saturated potassium chloride), pH4 or, as a last resort, running water with a good amount of cooking salt.

The box includes:



Installation:

1. In the app, in "Settings" » "My **Blue Connect**" » "Probe settings", press "Probe replacement".
2. Take out Blue Connect from the water, remove the usage cap and start the procedure in a dry and clean place.
3. Wipe **Blue Connect** with a clean, absorbent cloth, paying special attention to properly drying the bottom part of the product (where the probe is located) without touching the sensors.
4. Using the screwdriver, unscrew the screw located on the edge of the nut.



⁸ Make sure not to leave the probe out of the water without the storage cap filled with KCl (saturated potassium chloride), pH4 or, as a last resort, running water with a good amount of cooking salt.

5. Unscrew the nut with the cloth. If you struggle to unscrew the nut, use adjustable pliers by placing them on this exact spot (Image A).

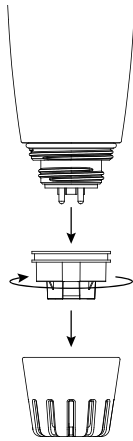
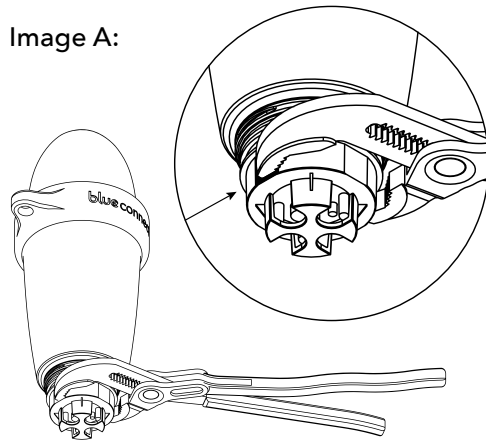
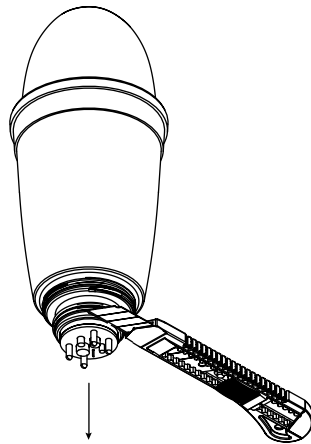


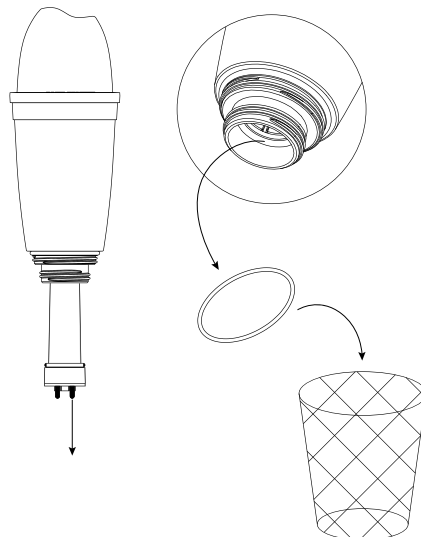
Image A:



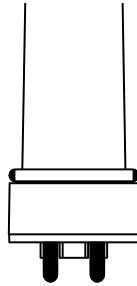
6. Use a knife or a cutter (or your nails) to unlock the probe.



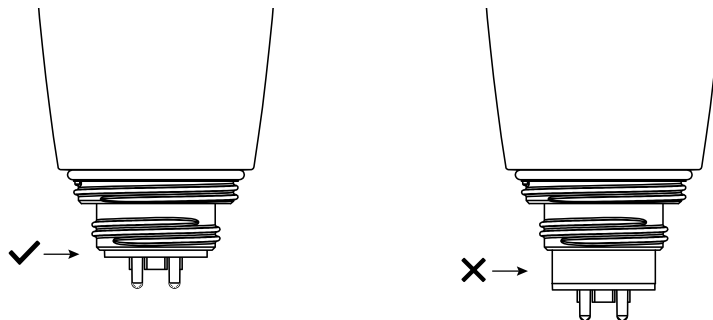
7. Remove the probe making sure to keep **Blue Connect** upright (with the top of the device above and the bottom part below) so that residual water does not penetrate into the product. Be sure to remove the seal and discard it. It could be stuck inside.



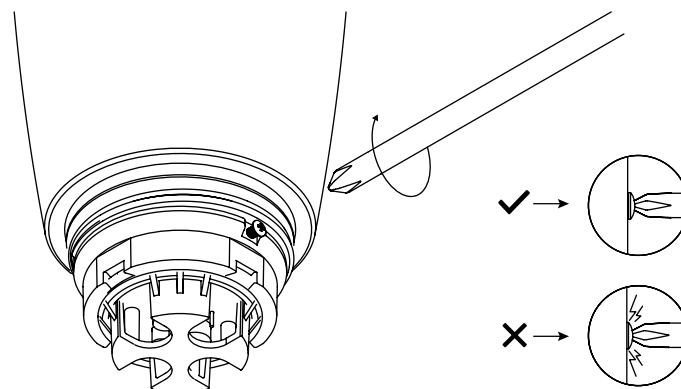
8. Wipe off residual water from the opening area of the **Blue Connect** and inside the hole with the cloth.
9. Take the new probe, scan its QR code and remove the protective cap. Be careful not to drop the probe as it is a very fragile item.
10. Wipe the black plastic body of the new probe if needed. It should be perfectly dry. **NB:** Make sure the gold contacts on the top of the probe are clean (shiny) and dry. Otherwise, clean them with a cotton swab soaked in household alcohol.
11. Place the new seal supplied with the replacement on the new probe.



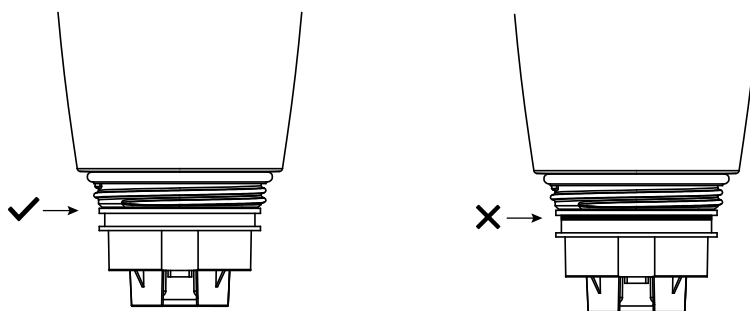
12. Insert the probe and turn it until it is placed correctly. Three beeps are emitted within 15 seconds.



13. Using the screwdriver, screw the screw (all the way but without forcing) on the edge of the nut.



- 14.** Screw the nut all the way onto the device. Do not hesitate to use a cloth to tighten it properly to avoid hurting your hand. Then, place the usage cap and place **Blue Connect** back in the water.

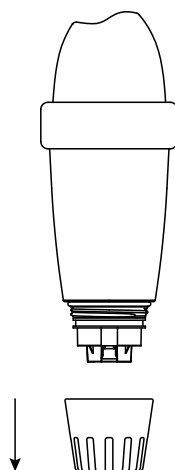


NB: The sensor may take a few hours to stabilise its parameters after its first immersion in the swimming pool.

D. Putting Blue Connect into standby mode for winterization/storage

Winterization:

- 1.** Remove **Blue Connect** from the water. Remove the usage cap.

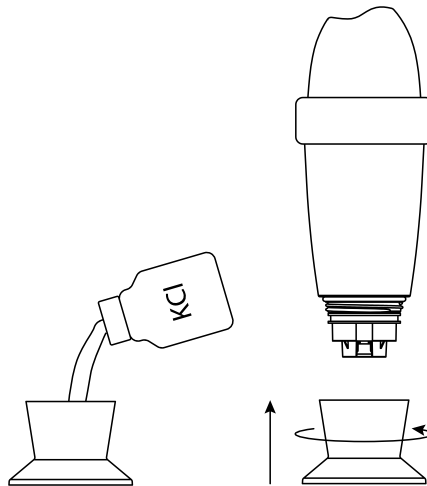


- 2.** Activate the Internet (Wi-Fi or 4G) and Bluetooth® on your smartphone.
NB: Stay close to the device throughout the whole standby process.



- 3.** In the app, in "Settings" » "My **Blue Connect**", press on "Put Blue Connect in stand by".

4. Rinse the storage cap with clean water and wipe it. Place KCl⁹ (saturated potassium chloride) or pH4 in the storage cap and screw it on.



5. Validate the standby mode and store **Blue Connect** sheltered from frost.

Storage:

If you need to take **Blue Connect** out of the pool for more than an hour, screw it on storage cap with KCl (saturated potassium chloride), pH4, or as a last resort, running water with a good amount of cooking salt as the probe should not be left dry.

E. Activating Blue Connect after winterization

1. In "Settings" » "My **Blue Connect**", press on "Activate Blue Connect".
2. See "**Blue Connect** installation" from point 2.

⁹ The KCl present in the storage cap can cause the formation of agglomerated salt at the junction with the body of the device, but this is not dangerous in any case. Simply rinse with clear water.

Technical characteristics

- » Dimensions: 253 mm x 96 mm
- » Weight: 714 g
- » Protection standard: IPx8 standard
- » Sensors and measurements:
 - pH: Measurement range: 0 to 14
 - Accuracy: $\pm 0,1$
 - Resolution: 0,1
 - Temperature (water): Measurement range: 5 to 50°C
 - Accuracy: $\pm 0,2^{\circ}\text{C}$
 - Resolution 0,1° C
 - Redox/ORP (active chlorine): Measurement range: 0 à 999 mV
 - Accuracy: $\pm 20\text{mV}$
 - Resolution 1mV

 - Conductivity: Measurement range: 250 to 15.000 $\mu\text{S}/\text{cm}$
 - Accuracy: $\pm 10\%$
 - Resolution 1uS/cm
- » Connectivity: Sigfox®, Bluetooth Low Energy® (BLE)
- » Power supply: 1 Lithium battery (thionyl chloride)
- » Nominal voltage: 3,6 V
- » Operating system: iOS, Android™ (4.0 Bluetooth®, Android™ 4.3 and iOS 9.0)
- » Languages: English, French, Spanish, Dutch, German, Italian, Portuguese, Czech, Swedish, Catalan.
- » Territorial compatibility: EU: 868 MHZ
US/AU: 902 / 920 MHZ

blue fit50

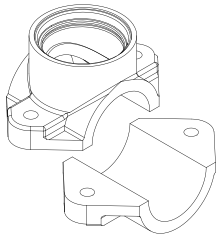
Introduction

A. Overview

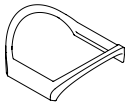
The **Blue Fit50** is a hose clamp compatible with **Blue Connect**. It allows to install **Blue Connect** in the technical room.

Note: **Blue Fit50** is a **Blue Connect** accessory. It is available in the **Blue Connect Plus** pack, or sold separately.

B. The box includes



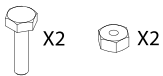
50mm (EU) or 60mm (US / AU) hose clamp.



The seal (already placed inside the hose clamp).



One cap.



2 bolts.

C. Precautions for use

- » Do not leave the **Blue Connect** on the **Blue Fit50** when there is no water in the pipes.
- » If handling on the hydraulic circuit (risk of water hammer), it is advisable to remove the **Blue Connect** in order not to damage the product.
- » Make sure to create a sufficient flow in your installation so that the **Blue Connect** can take measures.
- » Always place the **Blue Connect** vertically with the probe downwards.
- » **Blue Fit50** cannot be attached to flexible hoses
- » **Blue Fit50** withstands a maximum pressure of 3 bar
- » **Blue Fit50** is used on a 50mm pipe in Europe and a 60mm pipe for the USA and Australia.

Blue Fit50 installation

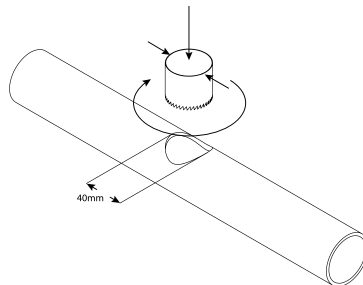
NB: Feel free to ask your pool specialist for advice in case of any doubt.

A. Find the correct location

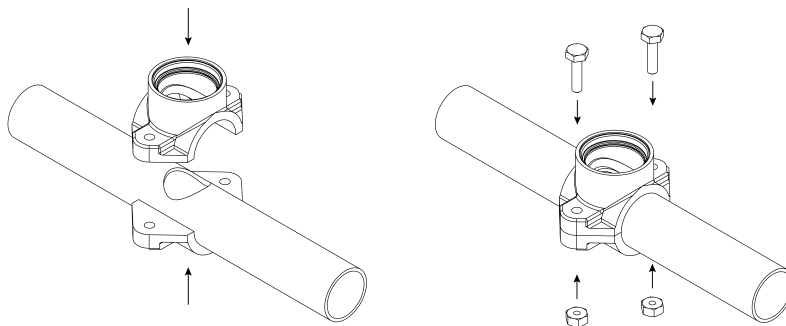
Make sure to always place the **Blue Fit50** after the filter (to avoid damaging the probes) and before your product injection system or electrolysis (to avoid altering the measures taken by the **Blue Connect**).

B. Set up

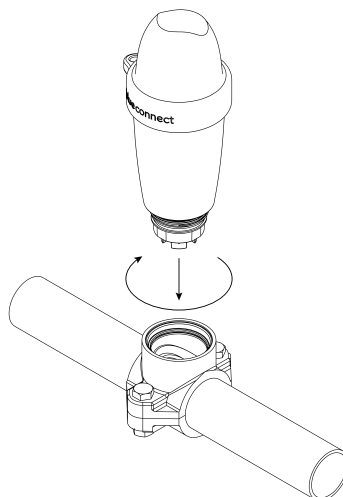
1. Turn off the filtration system.
2. With a 40mm diameter hole saw, drill a hole in the upper part of the pipe.
Note: The **Blue Connect** must be in vertical position, with the probe downwards.



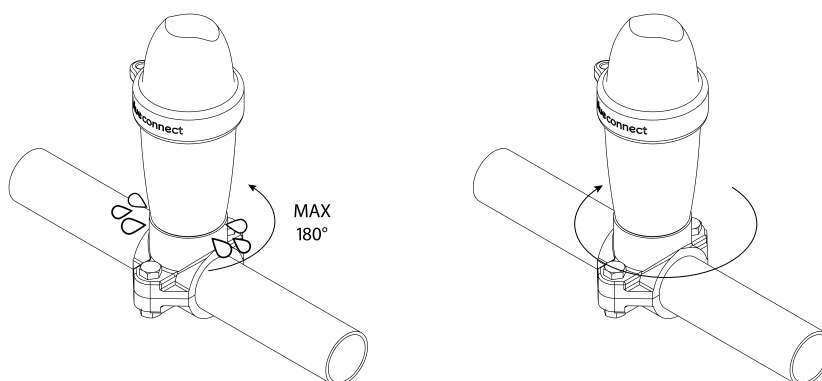
3. Place both parts of the hose clamp on each side of the pipe so that the holes coincide, and screw the hose clamp.



4. Screw the **Blue Connect**.



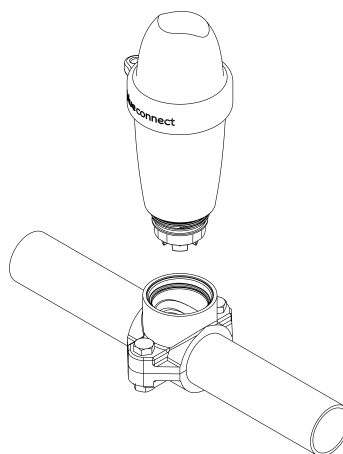
5. Turn on the filtration system.
6. Slightly and slowly unscrew the **Blue Connect** (maximum ½ turn) to remove any air. As soon as the water comes out, it means that there is no air left in the pipes, and you can then tightly screw **Blue Connect** again.



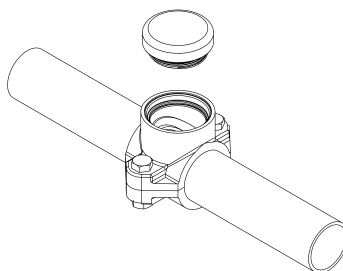
7. In the app, in "Settings" » "My **Blue Connect**" » "Location", activate the **Blue Fit50** option.

Winterization procedure

1. Unscrew the **Blue Connect**.



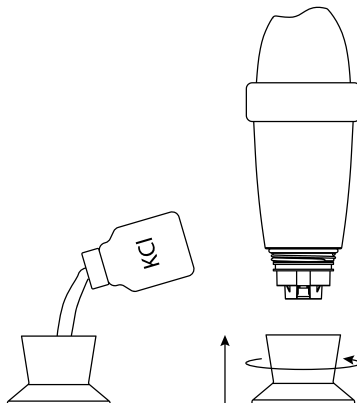
2. Seal the hose clamp with the cap provided in the **Blue Fit50** box.



3. Activate the Internet (Wi-Fi or 4G) and Bluetooth® on your smartphone.
Note: Stay close to the device throughout the whole standby mode process.



4. In the app, in "Settings" » "My **Blue Connect**" press "Put **Blue Connect** into standby mode".
5. Rinse the storage cap and wipe it. Add KCl¹⁰ (saturated potassium chloride) or pH4 in the storage cap and screw it.



6. Validate the standby mode and store **Blue Connect** sheltered from frost.



Feel free to check our online support website to benefit from a remote help: www.blueconnect.io (assistance).

General information

Warranties

- » Product + probes warranty: 24 months.
- » Battery warranty: 12 months.

Riiot Labs does not offer any warranty against the deterioration of the material following a manipulation of this latter, in particular the replacement of probe and battery, nor against the damages following the drying of the probes, nor against the wear and normal aging of the product, nor against the damages caused by an accident or a misuse. Riiot Labs does not offer any warranty in case of nonobservance of the precautions for use.

How to recycle this product



This symbol indicates that this product must be disposed of in accordance with applicable legal requirements and separated from domestic waste. At the end of the product's life span, please take it to an official collection point. Sorting and recycling your product help protect the stocks of raw materials and guarantee that all guidelines relative to health and environment protection are respected as part of the recycling.

¹⁰ The KCl present in the storage cap can cause the formation of agglomerated salt at the junction with the body of the device, but this is not dangerous in any case. Simply rinse with clear water.

Registered trademark

Riiot Labs, **Blue Connect** and **Blue Fit50**, as well as their respective logos, may be trademarks or registered trademarks of Riiot Labs S.A.

Fluidra as well as their logos are trademarks or registered trademarks of Fluidra S.A.

The Bluetooth® brand (and its logo) is a registered trademark and is the property of Bluetooth SIG, Inc. and its use by **Blue Connect** is subject to license.

App Store is an Apple, Inc. service brand registered in the United States and other countries.

iOS is a trademark or registered trademark of Cisco in the United States and other countries, used under license.

Google Play and Android are Google Inc. brands.

All other trademarks and registered trademarks mentioned in this document are copyrighted and are the property of their respective owners.

Declaration of conformity



To obtain a copy of the FCC, CE declaration of conformity, visit our website www.blueconnect.io/legal.

For further information, please check our website www.blueconnect.io (assistance).

Declaration of conformity FCC

Changes or modifications not expressly approved by Riio Labs SA could void the user's authority to operate the equipment.

For devices with a serial number that begins with a 4.

FCC Part 15 compliance statement

This device complies with part 15 of the FCC Rules. Operation is subject to the following two conditions: (1) This device may not cause harmful interference, and (2) this device must accept any interference received, including interference that may cause undesired operation. NOTE: This equipment has been tested and found to comply with the limits for a Class B digital device, pursuant to part 15 of the FCC Rules. These limits are designed to provide reasonable protection against harmful interference in a residential installation. This equipment generates uses and can radiate radio frequency energy and, if not installed and used in accordance with the instructions, may cause harmful interference to radio communications. However, there is no guarantee that interference will not occur in a particular installation. If this equipment does cause harmful interference to radio or television reception which can be determined by turning the equipment off and on, the user is encouraged to try to correct interference by one or more of the following measures: - Reorient or relocate the receiving antenna. - Increase the separation between the equipment and receiver. - Connect the equipment into an outlet on circuit different from that to which the receiver is connected. - Consult the dealer or an experienced radio/TV technician for help.

Industry Canada Licence-Exempt Radio Apparatus

This device complies with Industry Canada licence-exempt RSS standard(s). Operation is subject to the following two conditions: (1) this device may not cause interference, and (2) this device must accept any interference, including interference that may cause undesired operation of the device.

Le présent appareil est conforme aux CNR d'Industrie Canada applicables aux appareils radio exempts de licence. L'exploitation est autorisée aux deux conditions suivantes : (1) l'appareil ne doit pas produire de brouillage, et (2) l'utilisateur de l'appareil doit accepter tout brouillage radioélectrique subi, même si le brouillage est susceptible d'en compromettre le fonctionnement.

Radio Frequency (RF) Exposure Compliance of Radiocommunication Apparatus

To satisfy FCC and IC RF Exposure requirements for mobile devices, a separation distance of 20 cm or more should be maintained between the antenna of this device and persons during operation. To ensure compliance, operation at closer than this distance is not recommended. This transmitter must not be co-located or operating in conjunction with any other antenna or transmitter.

Conformité à l'exposition aux champs RF des équipements radio

Pour satisfaire aux exigences FCC et IC concernant l'exposition aux champs RF pour les appareils mobile, une distance de séparation de 20 cm ou plus doit être maintenu entre l'antenne de ce dispositif et les personnes pendant le fonctionnement. Pour assurer la conformité, il est déconseillé d'utiliser cet équipement à une distance inférieure. Cet émetteur ne doit pas être co- situé ou fonctionner conjointement avec une autre antenne ou un autre émetteur.

Declaration of conformity CE



For devices with a serial number that begins with a 3.

Hereby, Riio Labs S.A. declares that the radio equipment type Blue Connect Smart Pool Analyser is in compliance with Directive 2014/53/EU. The full text of the EU declaration of conformity is available at the following internet address: **www.blueconnect.io/legal**

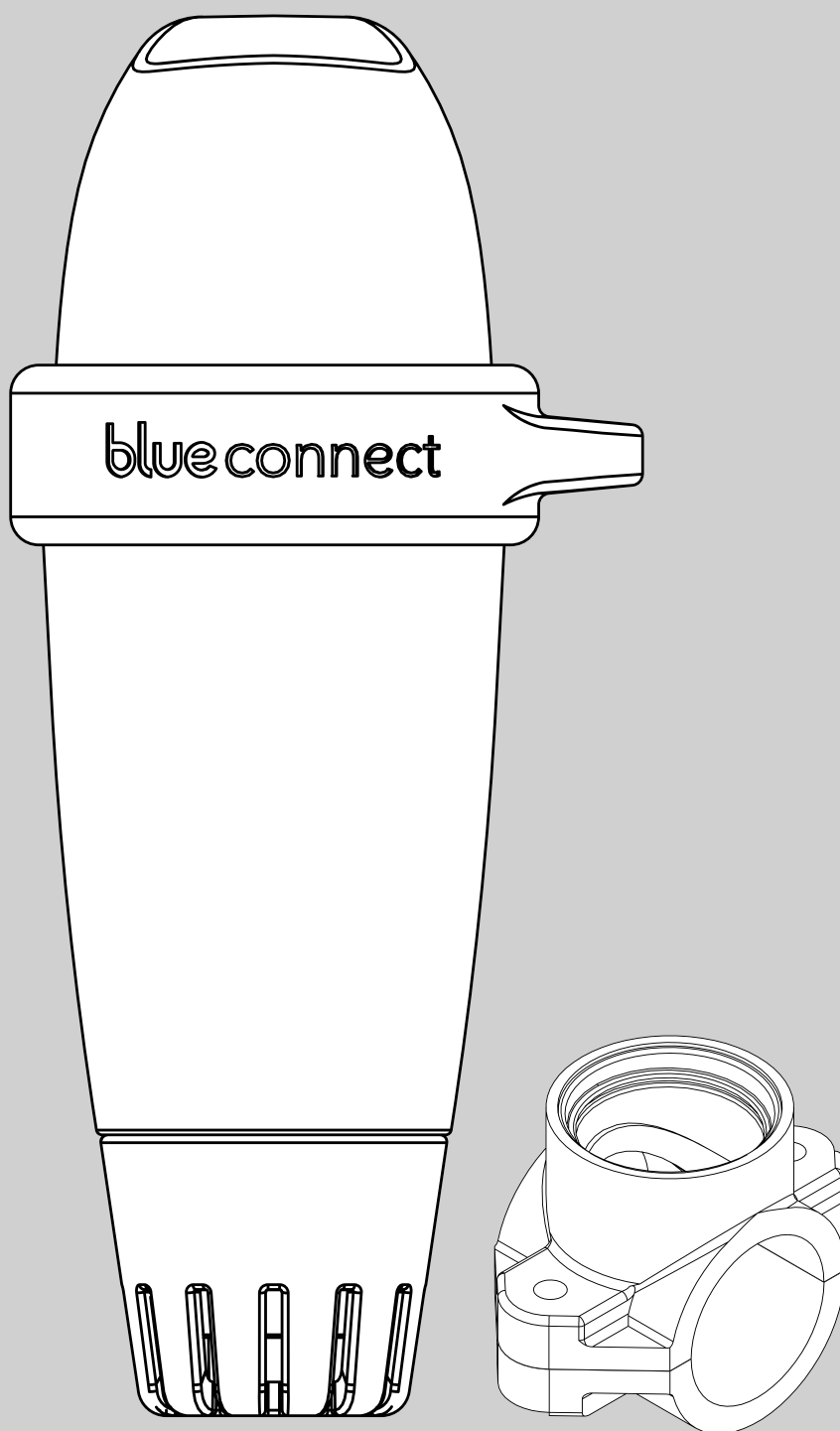
SIGFOX : Tx : 868.13MHz / 14dBm max Rx : 869.525MHz
Bluetooth LE : 2400-2483.5MHz / 10dBm max

Authorized countries codes:

ALB - AND - AUT - BEL - BIH - BLR - BUL - CYP - CZE -
DNK - EST - FIN - GRC - HNG - HOL - HRV - IRL - ISL -
LIE - LTU - LUX - LVA - MDA - MKD - MLT - MNE - NOR -
POL - POR - ROU - SRB - SUI - SVK - SVN - TUR

blue connect blue fit50

MODO DE EMPLEO _____



blue

Gracias por elegir **Blue Connect**.

www.blueconnect.io

Introducción

A. Presentación

Blue Connect mide de forma continua los principales parámetros de su piscina (temperatura, pH, ORP/Redox, salinidad). También le informa de la temperatura exterior y de la meteorología en base a su geolocalización. A continuación, se le comunican los resultados de estos análisis a través de notificaciones en la aplicación "**Blue Connect**" (disponible para smartphone y tablet compatible con Android™ e iOS). Si el dispositivo detecta que uno de los parámetros no es correcto, una alerta le informa de ese estado y le proporciona las instrucciones a seguir para ajustar y estabilizar dicho parámetro, a fin de mantener el agua sana y equilibrada.

Blue Connect mide:

- » La temperatura del agua (°C, °F): Una temperatura demasiado elevada reduce la eficacia del producto desinfectante y facilita el desarrollo de microorganismos.
- » El pH (potencial de hidrógeno): este valor mide el carácter ácido o básico de un medio. El pH contribuye a la efectividad del desinfectante.
- » Los valores ORP / REDOX (medición del cloro activo en mV): La medición de ORP está reflejada en milivoltios (mV). La medición tomada por la sonda ORP de Blue es un voltaje en milivoltios (mV) que representa el carácter más o menos oxidante del agua de su piscina.
- » La conductividad¹ (µS): Mide la concentración de sales inorgánicas en el agua por la capacidad de esta última para conducir electricidad.

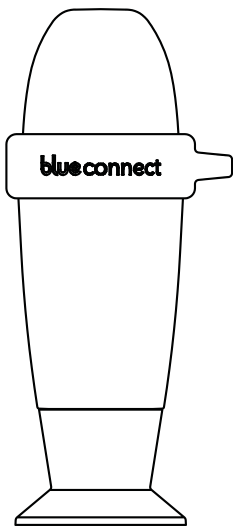
B. Precauciones de uso

- » No utilice **Blue Connect** para un fin distinto del análisis de agua.
- » **Blue Connect** no es un juguete. Evite que sufra golpes, ya que podrían dañarlo.
- » Mantenga **Blue Connect** fuera del alcance de los niños durante su manipulación (ej.: calibración y puesta en modo de espera) debido al uso de productos químicos. Almacene los productos de calibración fuera del alcance de los niños.
- » No abra la parte superior del dispositivo (excepto cuando reemplace la batería). Siga escrupulosamente las instrucciones de cambio de batería. Los daños causados por líquidos no están cubiertos por la garantía.
- » No abra la parte inferior del dispositivo que contiene la sonda (excepto cuando reemplace la sonda). Siga escrupulosamente las instrucciones para cambiar la sonda. Los daños causados por líquidos no están cubiertos por la garantía.

¹ Para las piscinas saladas, la salinidad se mide según la conductividad. La salinidad medida por el **Blue** está expresada en gramos por litro (g/L) de TDS («Total Dissolved Solids»). Se trata de una estimación de la cantidad total de especies disueltas en la piscina, basándose en la suposición de que la especie principal es el cloruro de sodio (NaCl o sal de cocina). El cloruro de sodio aumenta la conductividad del agua de su piscina en función de su concentración. Una estimación del nivel de cloruro de sodio basada en la conductividad desviará aún más si otras sales desconocidas están presentes en su piscina. Esta desviación puede comprobarse mediante el uso de tiras de detección colorimétrica específicas para cloruro de sodio.

- » Asegúrese de no dejar la sonda en seco sin el tapón de almacenamiento lleno de KCl (cloruro de potasio saturado), pH4 o, como último recurso, de agua corriente con una buena dosis de sal de cocina.
- » No utilice agua desmineralizada en el tapón de almacenamiento.
- » Asegúrese de que la parte superior del dispositivo esté fuera del agua para garantizar el funcionamiento del sistema de comunicación.
- » No deje **Blue Connect** en agua a una temperatura inferior a 5°C o superior a 50°C.
- » Conserve el número de serie y el código² (key) de **Blue Connect**.
- » Almacene **Blue Connect** al resguardo de temperaturas heladas.

Contenido de la caja

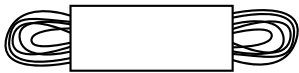


El analizador **Blue Connect**: Se entrega enroscado al tapón de almacenamiento a fin de proteger la sonda durante el transporte. La sonda está sumergida en KCl (cloruro de potasio saturado) para garantizar su protección.

El tapón de almacenamiento: Se utiliza para transportar el dispositivo fuera del agua o para mantener los sensores sumergidos durante un almacenamiento prolongado (durante la temporada invernal, por ejemplo).



La tapa de uso: Siempre debe estar instalada en el dispositivo antes de introducirlo en el agua. Protege los sensores de eventuales golpes.



La cuerda: Permite colgar el dispositivo en un punto de fijación.



La guía de inicio rápido: Le ayuda a poner el dispositivo en marcha.

² En la parte posterior del manual y en la base de **Blue Connect**.

Instalación de la aplicación

1. Active la red internet (Wi-Fi o 4G) y el Bluetooth® en su smartphone o tablet.
Nota: Manténgase cerca del dispositivo durante todo el proceso de activación de **Blue Connect**.



2. Descargue la aplicación gratuita "**Blue Connect**" en las plataformas App Store® y Google Play™.



3. Autorice las notificaciones para aprovechar las alertas.

4. Conéctese a "**Blue Connect**":
 - » via Facebook®.
 - » via Twitter®.
 - » via su dirección de correo electrónico.

5. Cree su piscina: Introduzca las características de su piscina.
Nota: Siempre puede volver a las características de la piscina activa en "Parámetros" » "Mi piscina".

Nota: Para añadir otra piscina en la aplicación, pulse el nombre de la piscina activa y pulse en "+".

La aplicación se organiza en 4 secciones principales³:



Panel de control: Le informa sobre el estado de **Blue Connect**, la temperatura del agua, la meteorología local y la calidad del agua de su piscina.



Tabla de valores: Le informa con precisión de los valores medidos por **Blue Connect**, las tendencias y los valores ideales.



Guía de mantenimiento: Le informa sobre las operaciones que se tienen que realizar para mantener la calidad del agua en su piscina.



Parámetros: Le permite configurar los parámetros de su piscina y de los dispositivos **Blue**, y tener un acceso a la ayuda y al soporte técnico.

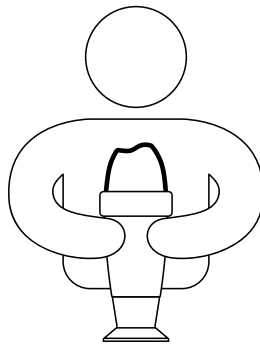
³ La aplicación está sujeta a mejoras y cambios continuos.

Instalación de Blue Connect

A. ¿Cómo poner Blue Connect en marcha?

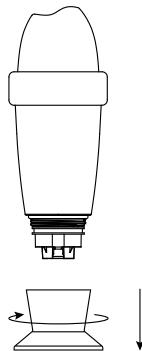
1. En la aplicación, en "Parámetros" » "Mi **Blue Connect**", pulse "Añadir un **Blue Connect**" e inserte el código (key), así como los últimos tres dígitos del número de serie (SN) que se encuentran en la parte posterior de la guía de inicio o en el tapón de almacenamiento del dispositivo.

2. Para iniciar el dispositivo, habilítelo. La parte superior tiene forma de ola. Coloque el hueco de la ola hacia usted y agítelo con un golpe fuerte. Se emiten dos pitidos, significa que la operación se ha llevado a cabo con éxito.

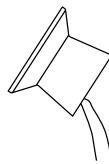


3. Pulse "Ok" para finalizar la activación. Ahora, el dispositivo está vinculado a su cuenta y vinculado a la red Sigfox^{®4} de forma permanente.

4. Coloque **Blue Connect** en posición vertical en el tapón de almacenamiento y desenrózquelo.

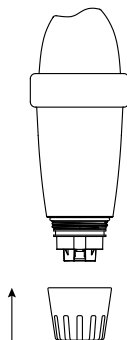


5. Vacíe el tapón de almacenamiento, enjuáguelo con agua limpia y guárdelo.

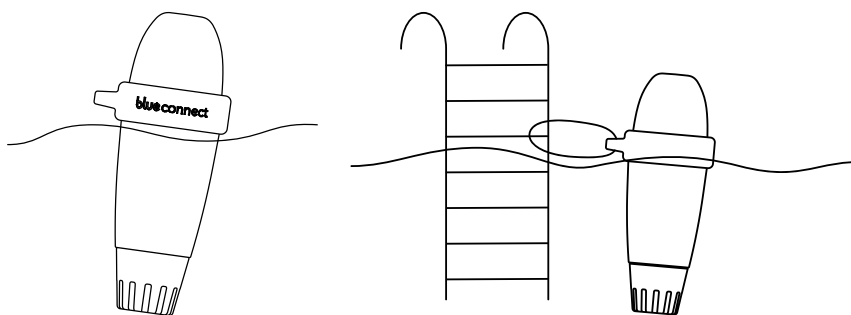


⁴ Sigfox[®] es una red de telecomunicaciones especializada en el Internet de las cosas. Se trata de una red celular que no interfiere con la red Wi-Fi de su hogar. Puede comprobar si su piscina está cubierta por Sigfox[®] en el mapa en tiempo real del operador: www.sigfox.com/coverage. **Blue Connect** usa Sigfox[®] para transferir datos a su smartphone.

6. Enjuague la sonda con agua limpia y coloque la tapa de uso en la parte inferior del dispositivo para proteger las sondas.



7. Coloque **Blue Connect** en la piscina:
- » En la **piscina**: Déjelo flotar en su piscina. Puede fijarlo si es necesario. Para hacerlo, cuélguelo en un punto de fijación mediante la cuerda con el anillo de goma.
 - » En el **local técnico** con **Blue Fit50**⁵ (Cfr p.17).



Nota: Asegúrese de que el dispositivo esté en posición vertical y de que la parte superior esté fuera del agua para garantizar una correcta comunicación del dispositivo.

B. Observaciones

- » No deje la sonda al aire libre.
- » La red Sigfox® se conecta automáticamente y envía mediciones a intervalos regulares.
- » La sonda puede tardar unas horas en estabilizar los parámetros después de su primera inmersión en la piscina.
- » Si no hay cobertura de Sigfox®, hay dos alternativas:
 - » **Blue Connect** funciona en Bluetooth®. En tal caso, debe tomar diariamente una medición, o varias mediciones en Bluetooth® para que el dispositivo realice su trabajo de analizador.
 - » **Blue Extender**⁶ le permite a **Blue Connect** conectarse a su red Wi-Fi. Para obtener más información, visite nuestra web o contacte con su distribuidor.

No dude en mirar nuestro vídeo de puesta en marcha de **Blue Connect** en www.blueconnect.io (asistencia).

⁵ **Blue Fit50** es un accesorio de **Blue Connect**. Está disponible en el pack **Blue Connect Plus**, o vendido por separado.

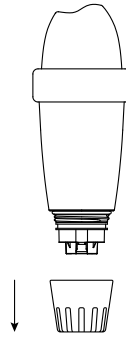
⁶ Se vende por separado.

Mantenimiento de Blue Connect

A. Calibración

Nota: No es necesario calibrar el dispositivo tras su recepción. Generalmente, la calibración tiene que hacerse una o dos veces por temporada. Utilice el kit de calibración especialmente diseñado para **Blue Connect** o las soluciones de calibración estándar disponibles en su tienda de piscinas. Los productos de calibración son de un solo uso. Nunca los use dos veces.

1. Retire el dispositivo del agua, quite la tapa de uso y enjuague la sonda con agua limpia.



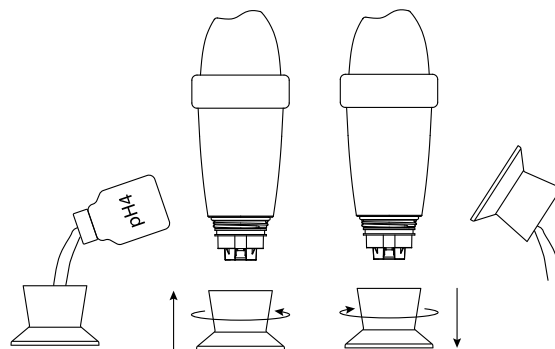
2. Limpie el tapón de almacenamiento con agua limpia y séquelo.

3. Active Internet (Wi-Fi o 4G) y el Bluetooth® en su smartphone.
Nota: Permanezca cerca de su dispositivo durante toda la duración de la calibración.



4. En la aplicación, en "Parámetros" » "Mi **Blue Connect**" » "Parámetros de la sonda", pulse "Calibrar el **Blue Connect**" y siga las etapas en la aplicación. Si puede elegir entre varios productos, seleccione la solución de calibración que va a utilizar.

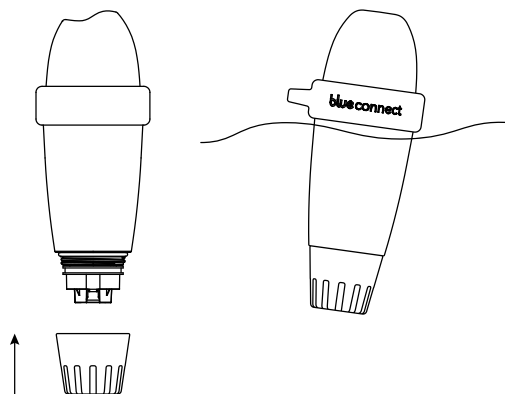
5. Coloque la solución de calibración en el tapón de almacenamiento y enrósquelo al dispositivo. Luego, pulse "siguiente". En la parte superior de la pantalla, verá el progreso de la medición. Tras completar la medición, desenrosque el tapón de almacenamiento y enjuague la sonda. Vacíe, enjuague⁷ y seque el tapón de almacenamiento.



⁷ Limpie siempre la sonda y el tapón de almacenamiento con agua limpia después de usar un producto de calibración para evitar posibles mezclas.

6. Valide la calibración.

7. Coloque la tapa de uso y vuelva a colocar **Blue Connect** en la piscina.

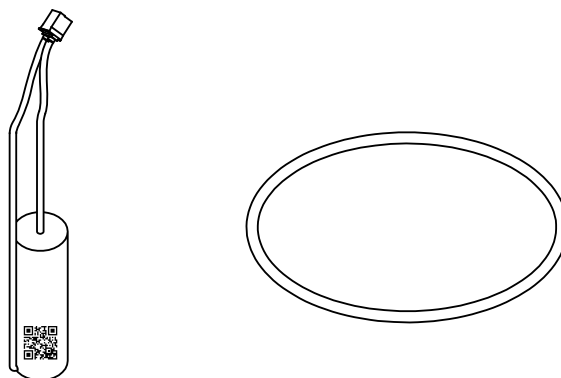


B. Reemplazar la batería

La batería tiene que ser reemplazada aproximadamente cada dos años. Para obtener una, contacte con su distribuidor.

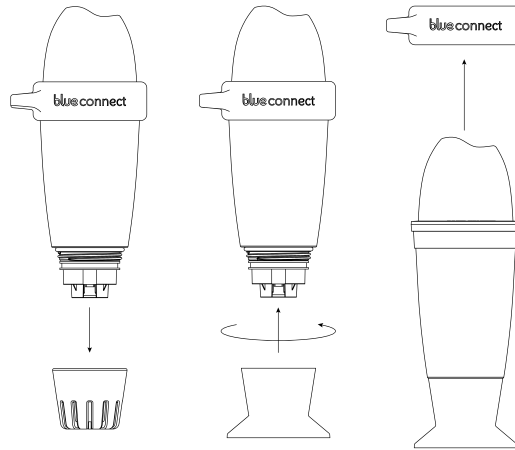
Nota: Para garantizar la máxima duración de la batería, ponga **Blue Connect** en modo espera cuando su piscina está en hibernación (Cfr p.14).

Contenido de la caja:

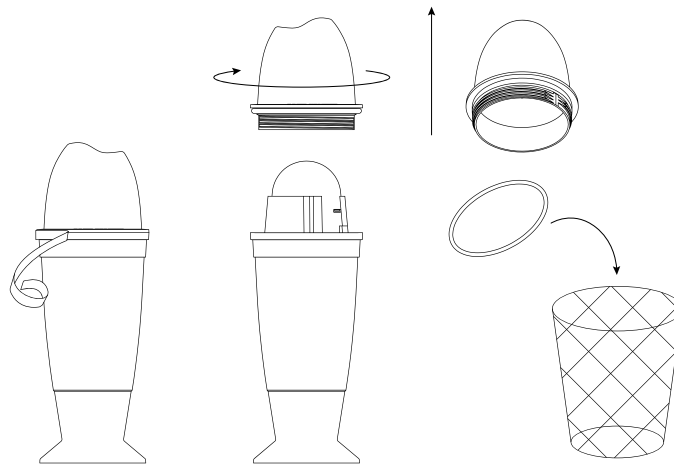


Instalación:

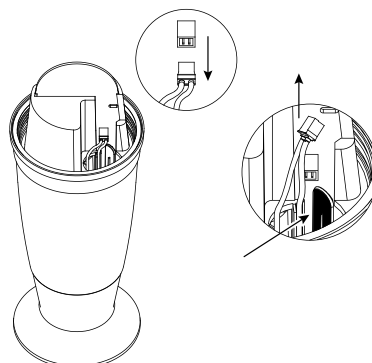
1. En "Parámetros" » "Mi **Blue Connect**", pulse "Cambio de batería".
2. Saque el aparato del agua, quite el anillo de goma y la tapa de uso y coloque **Blue Connect** en el tapón de almacenamiento.



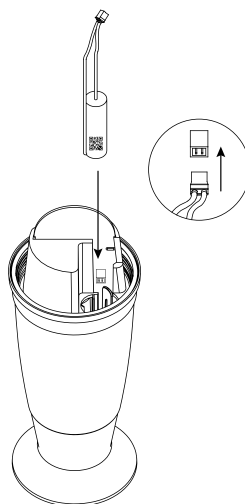
3. Séquelo e inicie el procedimiento en un lugar seco y limpio.
4. Retire la cinta adhesiva y desenrosque la parte superior del dispositivo. Esta es una rosca izquierda. Desenrosque en el sentido de las agujas del reloj. Retire la junta y deséchela.



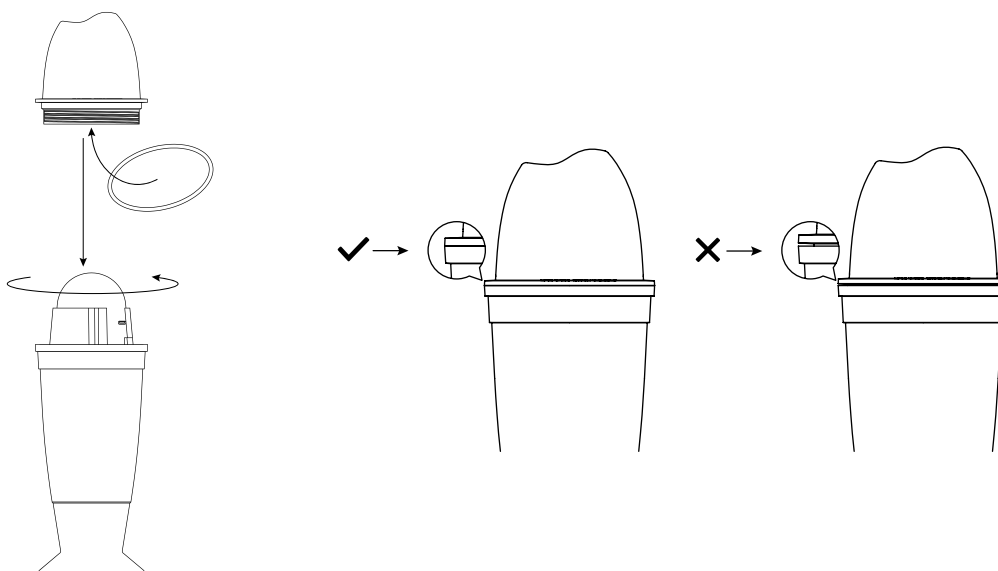
5. Desconecte el conector blanco tirando del cable rojo y negro. La batería se encuentra en el otro extremo del cable. Presione la varilla de plástico para liberar la batería y extráigala tirando del cable.



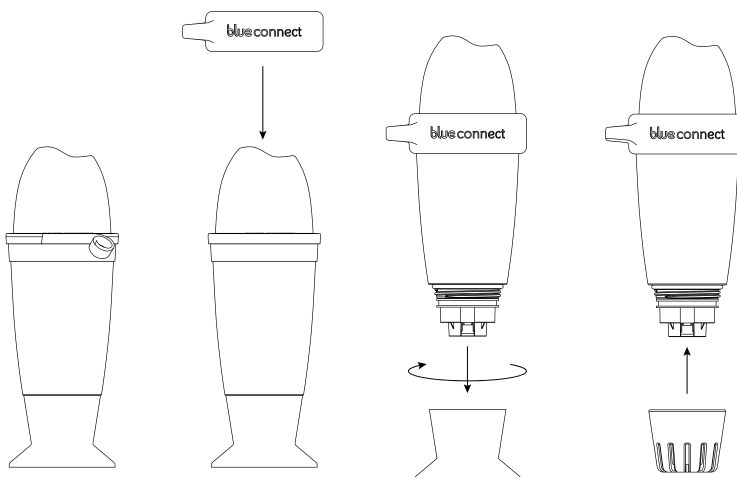
6. Coloque la nueva batería en el fondo de la cavidad hasta que esté bloqueada. A continuación, conecte el conector.



7. Coloque la nueva junta suministrada con la batería en la rosca de la parte superior de la unidad. Cierre la parte superior. Esta es una rosca izquierda. Enrózquela en sentido contrario a las agujas del reloj.



8. Vuelva a poner el anillo. A continuación, coloque la tapa de uso y vuelva a poner **Blue Connect** en el agua.

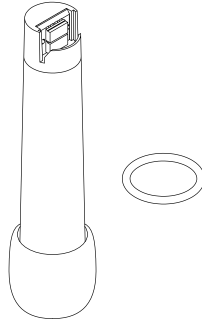


C. Reemplazar la sonda

La sonda tiene que ser reemplazada aproximadamente cada dos años⁸. Para obtener una, contacte con su distribuidor.

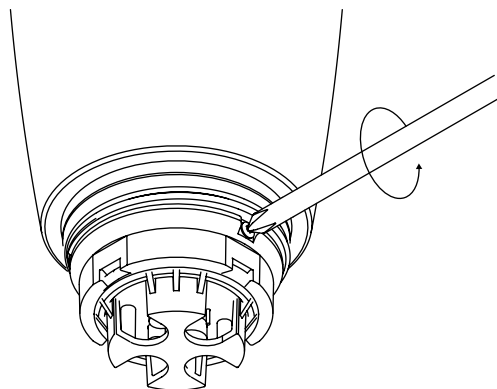
Nota: Para garantizar la máxima longevidad de la sonda, manténgala el mayor tiempo posible en un ambiente húmedo. Si saca el aparato del agua, debe enroscarlo en el tapón de almacenamiento con KCl (cloruro de potasio saturado), pH 4 o, como último recurso, agua corriente con una buena dosis de sal de cocina.

Contenido de la caja:



Instalación:

1. En la aplicación, en "Parámetros" » "Mi **Blue Connect**" » "Parámetros de la sonda", pulse "Cambio de sensor".
2. Saque **Blue Connect** del agua, retire la tapa de uso e inicie el procedimiento en un lugar limpio y seco.
3. Limpie **Blue Connect** con un paño limpio y absorbente, prestando particular atención a secar correctamente la parte inferior del producto (donde se encuentra la sonda) sin tocar los sensores.
4. Con el destornillador, desenrosque el tornillo ubicado en el contorno de la tuerca.



⁸ Asegúrese de no dejar la sonda en seco sin el tapón de almacenamiento lleno de KCl (cloruro de potasio saturado), pH4 o, como último recurso, agua corriente con una buena dosis de sal de cocina.

5. Desenrosque la tuerca con el paño. Si tiene problemas para desenroscar la tuerca, use unos alicates extensibles, colocándolos exactamente en este sitio (Imagen A).

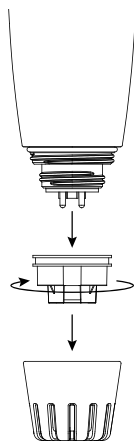
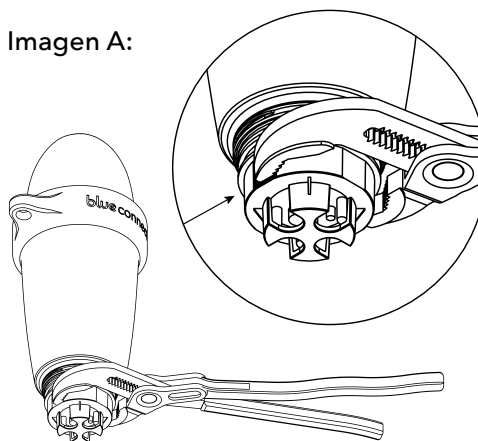
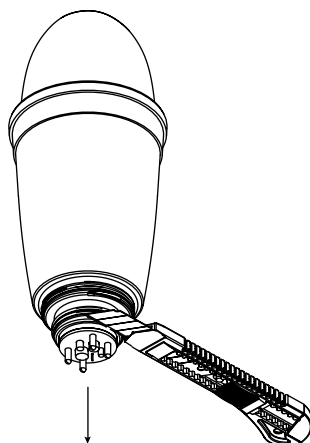


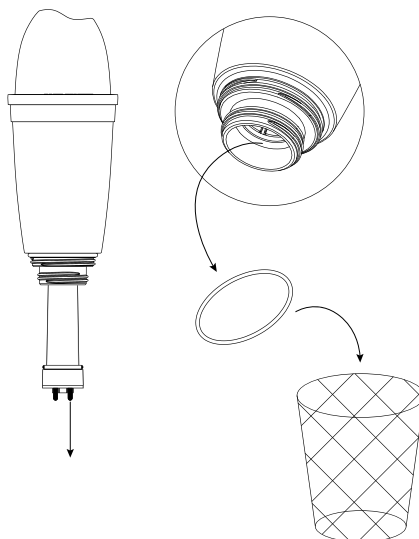
Imagen A:



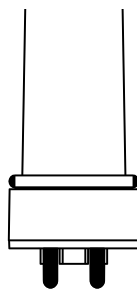
6. Use un cuchillo o un cúter (o las uñas) para desbloquear la sonda.



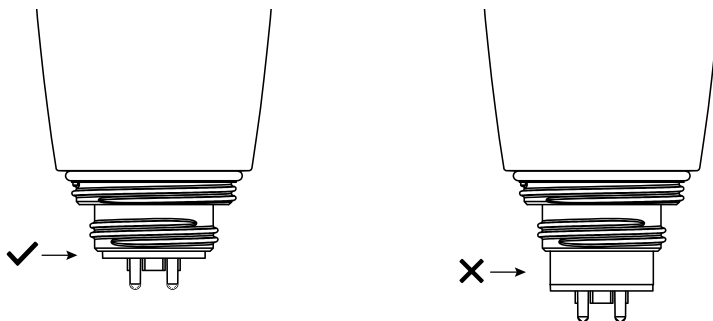
7. Retire la sonda asegurándose de mantener **Blue Connect** en posición vertical (con la parte superior de la unidad arriba y la parte inferior debajo) para que el agua residual no penetre en el producto. Asegúrese de quitar la junta y desecharla. Podría estar bloqueada dentro.



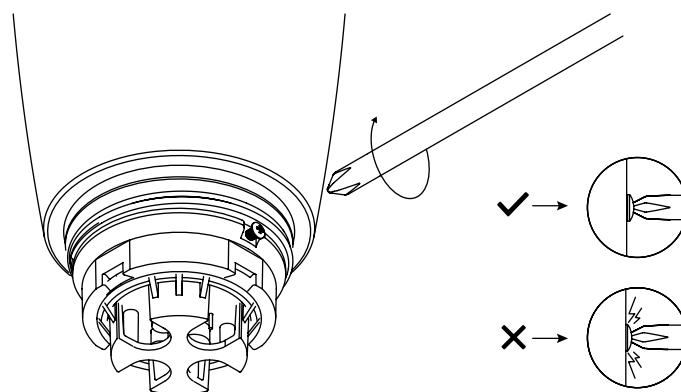
8. Limpie el agua residual que se puede haber quedado en la zona de abertura de **Blue Connect** y dentro del agujero con el paño.
9. Tome la nueva sonda, escanee su código QR y retire la tapa protectora. Tenga cuidado de no dejar caer la sonda, ya que se trata de un elemento muy frágil.
10. Limpie el cuerpo de plástico negro de la nueva sonda si es necesario. Debe estar perfectamente seco.
NB: Asegúrese de que los contactos dorados en la parte superior de la sonda estén limpios (brillantes) y secos. En caso contrario, límpielos con un algodón humedecido en alcohol doméstico.
11. Coloque la nueva junta, proporcionada con la recarga, en la nueva sonda.



12. Inserte la sonda y gírela hasta que esté colocada correctamente. Se emiten tres pitidos en 15 segundos.

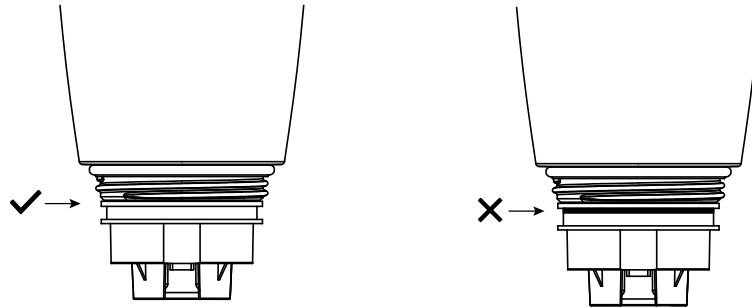


13. Con el destornillador, enrosque el tornillo (completamente pero sin forzar) en el contorno de la tuerca.



14.

Enrosque la tuerca completamente en el dispositivo. No dude en usar un paño para apretarla correctamente sin lesionarse la mano. A continuación, coloque la tapa de goma y vuelva a poner **Blue Connect** en el agua.



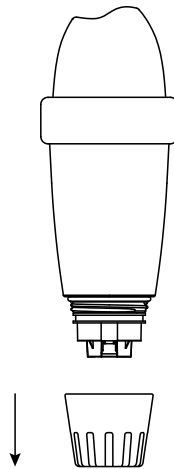
Nota: La sonda puede tardar unas horas en estabilizar los parámetros después de su primera inmersión en la piscina.

D. Poner Blue Connect en modo de espera para la hibernación/el almacenamiento

Hibernación:

1.

Retire el dispositivo del agua. Quite la tapa de uso.



2.

Active Internet (Wi-Fi o 4G) y el Bluetooth® en su smartphone.

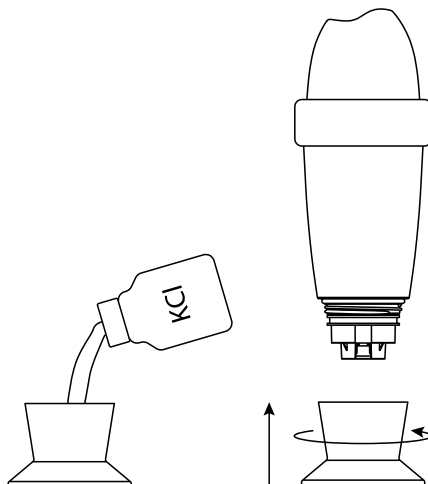
Nota: Manténgase cerca del dispositivo durante toda la duración del modo de espera.



3.

En la aplicación, en "Parámetros" » "Mi **Blue Connect**", presione "Poner **Blue Connect** en modo espera".

4. Enjuague el tapón de almacenamiento y séquelo. Coloque KCl⁹ (cloruro de potasio saturado) o pH4 en el tapón de almacenamiento y enrósquelo.



5. Valide el modo de espera y almacene **Blue Connect** al resguardo de temperaturas heladas.

Almacenamiento:

Si necesita sacar **Blue Connect** del agua, enrósquelo en el tapón de almacenamiento con KCl (cloruro de potasio saturado), pH4 o, como último recurso, agua corriente con una buena dosis de sal de cocina, ya que la sonda no puede permanecer en seco.

E. Activar Blue Connect tras la hibernación

1. En "Parámetros" » "Mi **Blue Connect**", pulse "Activar el **Blue Connect**".
2. Consulte "Instalación de **Blue Connect**" a partir del punto 2.

⁹ El KCl presente en el tapón de almacenamiento puede causar la formación de sal aglomerada en la unión con el cuerpo del aparato, pero no presenta ningún peligro. Enjuague simplemente con agua limpia para limpiar.

Especificaciones técnicas

- » Medidas: 253 mm x 96 mm
- » Peso: 714 g
- » Estándar de protección: Norma IPx8
- » Sensores y mediciones:
 - pH: Rango de medición: 0 a 14
 - Precisión: $\pm 0,1$
 - Resolución: 0,1
 - Temperatura (agua): Rango de medición: 5 a 50°C
 - Precisión: $\pm 0,2^{\circ}\text{C}$
 - Resolución: 0,1° C
 - Redox/ORP (cloro activo): Rango de medición: 0 a 999 mV
 - Precisión: $\pm 20\text{mV}$
 - Resolución: 1mV

 - Conductividad: Rango de medición: 250 a 15.000 $\mu\text{S}/\text{cm}$
 - Precisión: $\pm 10\%$
 - Resolución: 1uS/cm
- » Conectividad: Sigfox®, Bluetooth Low Energy® (BLE)
- » Fuente de alimentación: 1 batería de litio (cloruro de tionilo)
- » Tensión nominal: 3,6 V
- » Sistema operativo: iOS, Android™ (4.0 Bluetooth®, Android™ 4.3 y iOS 9.0)
- » Idiomas: inglés, francés, español, neerlandés, alemán, italiano, portugués, checo, sueco, catalán.
- » Compatibilidad territorial: UE: 868 MHz
EEUU/AU: 902 / 920 MHz

blue fit50

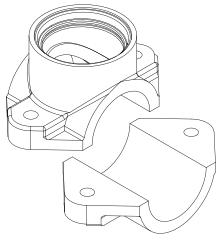
Introducción

A. Presentación

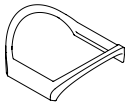
El **Blue Fit50** es una abrazadera de toma compatible con **Blue Connect**. Permite instalar **Blue Connect** en la sala técnica (cuarto de máquinas).

Nota: **Blue Fit50** es un accesorio de **Blue Connect**. Está disponible en el pack **Blue Connect Plus**, o vendido por separado.

B. Contenido de la caja



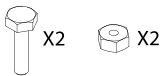
Abrazadera de toma 50mm (EU) o 60mm (EEUU/AU).



El sello (ya colocado dentro de la abrazadera de toma).



Una tapa.



2 pernos.

C. Precauciones de uso

- » No deje el **Blue Connect** en el **Blue Fit50** si no hay agua en las tuberías.
- » En caso de manipulación en el circuito hidráulico (riesgo de golpe de ariete), se recomienda retirar el **Blue Connect** para no dañar el producto.
- » Asegúrese de crear un flujo suficiente en su instalación para que el **Blue Connect** pueda tomar mediciones.
- » Coloque siempre el **Blue Connect** verticalmente con la sonda hacia abajo.
- » **Blue Fit50** no se puede fijar en mangueras flexibles.
- » **Blue Fit50** aguanta una presión máxima de 3 bar.
- » **Blue Fit50** se utiliza en una tubería de 50 mm en Europa y en una tubería de 60 mm en los Estados Unidos y Australia.

Instalación del Blue Fit50

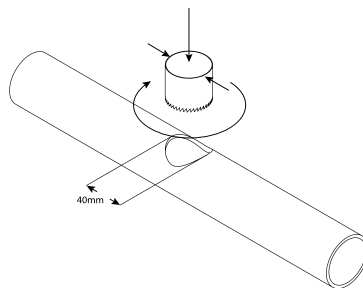
Nota: No dude en consultar su piscinero para cualquier duda.

A. Encontrar la ubicación adecuada

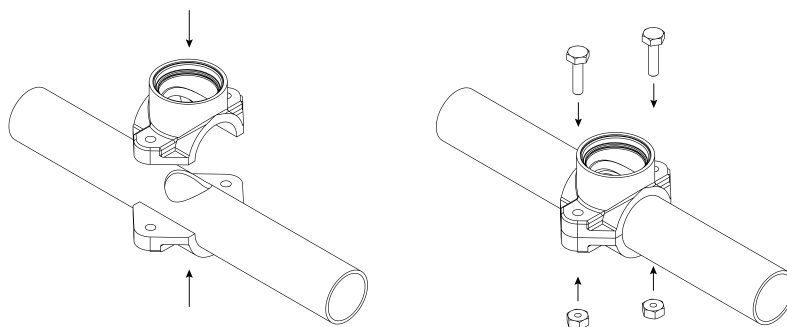
Asegúrese de siempre colocar el **Blue Fit50** después del filtro (para evitar dañar las sondas) y antes de su sistema de inyección de producto o electrólisis (para no alterar las mediciones tomadas por el **Blue Connect**).

B. Puesta en marcha

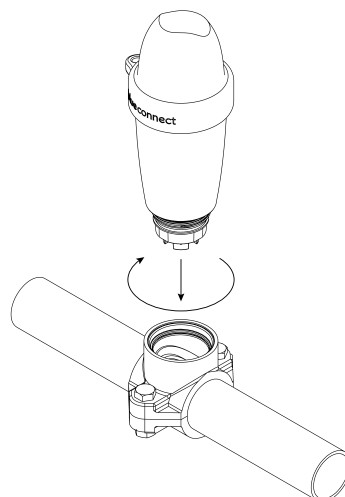
1. Apague el sistema de filtración.
2. Perfore un agujero con una corona perforadora de 40 mm de diámetro en la parte superior de la tubería.
Nota: **Blue Connect** debe estar en posición vertical con la sonda hacia abajo.



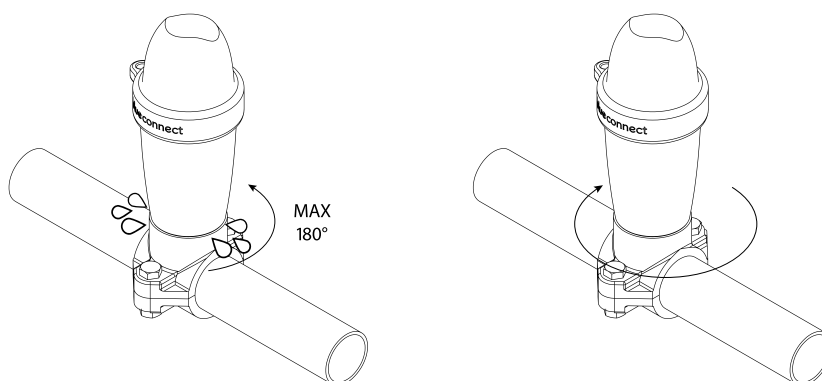
3. Coloque las dos partes de la abrazadera de toma a cada lado de la tubería de manera que los agujeros coincidan, y enrosque la abrazadera de toma.



4. Enrosque el **Blue Connect**.



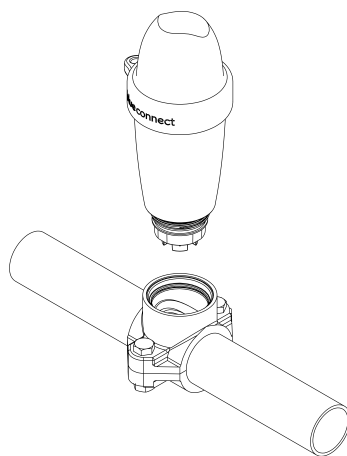
5. Active el sistema de filtración.
6. Desenrosque el **Blue Connect** suave y lentamente (máximo ½ vuelta) para eliminar el aire eventual. En cuanto sale el agua, significa que no queda aire en las tuberías, y que puede volver a enroscar firmemente **Blue Connect**.



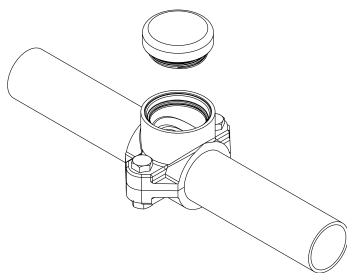
7. En la aplicación, en "Parámetros" » "Mi **Blue Connect**" » "Localización", active la opción **Blue Fit50**.

Procedimiento de hibernación

1. Desenrosque el **Blue Connect**.



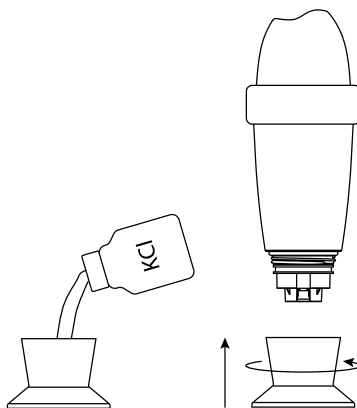
2. Cierre la abrazadera de toma con la tapa provista en la caja del **Blue Fit50**.



3. Active Internet (Wi-Fi o 4G) y el Bluetooth® en su smartphone.
Nota: Manténgase cerca del dispositivo durante toda la duración del modo espera.



4. En la aplicación, en "Parámetros" » "Mi **Blue Connect**", presione "Poner **Blue Connect** en modo espera".
5. Limpie el tapón de almacenamiento y séquelo. Añada KCl¹⁰ (cloruro de potasio saturado) o pH 4 en el tapón de almacenamiento y enrósquelo.



6. Valide el modo espera y almacene **Blue Connect** al resguardo de temperaturas heladas.



No dude en visitar nuestra web de soporte en línea para beneficiarse de una ayuda a distancia: www.blueconnect.io (asistencia).

Información general

Garantías

- » Garantía del producto + sondas: 24 meses.
- » Garantía batería: 12 meses.

Riiot Labs no ofrece ninguna garantía contra el deterioro del material tras una manipulación de este, en particular el cambio de sonda y batería, ni contra los daños tras la desecación de las sondas, ni contra el desgaste y el envejecimiento normal del producto, ni frente a los daños causados por un accidente o un uso indebido. Riiot Labs no ofrece ninguna garantía en caso de incumplimiento de las precauciones de uso.

Cómo reciclar este producto



Este símbolo indica que este producto debe desecharse de acuerdo con las disposiciones legales vigentes y por separado de los residuos domésticos. Cuando este producto alcance el final de su vida útil, llévelo a los puntos oficiales de recogida. La separación y el reciclaje de su producto permiten proteger las reservas de materias primas y garantizan el cumplimiento de todas las disposiciones relativas a la protección de la salud y del medio ambiente en el marco del reciclaje.

¹⁰ El KCl presente en el tapón de almacenamiento puede causar la formación de sal aglomerada en la unión con el cuerpo del aparato, pero no presenta ningún peligro. Enjuague simplemente con agua limpia para limpiar.

Marca registrada

Riiot Labs, **Blue Connect** y **Blue Fit50**, así como sus respectivos logotipos, pueden ser marcas comerciales o marcas comerciales registradas de Riiot Labs S.A.

Fluidra así como sus logotipos son marcas comerciales o marcas registradas de Fluidra S.A.

La marca Bluetooth® (y su logotipo) es una marca registrada y propiedad de Bluetooth SIG, Inc. y su uso por **Blue Connect** está sujeto a licencia.

AppStore es una marca de servicio Apple, Inc. registrada en los Estados Unidos y otros países.

iOS es una marca comercial o marca registrada de Cisco en los Estados Unidos y otros países, utilizada bajo licencia.

Google Play y Android son marcas comerciales de Google Inc.

Todas las demás marcas comerciales y registradas que se mencionan en este documento tienen derechos de autor y son propiedad de sus respectivos dueños.

Declaración de conformidad



Puede obtener un ejemplar de la declaración FCC, CE de conformidad en nuestra web www.blueconnect.io/legal.

Para más información, visite nuestra web www.blueconnect.io (soporte).

Declaration of conformity FCC

Changes or modifications not expressly approved by Riio Labs SA could void the user's authority to operate the equipment.

For devices with a serial number that begins with a 4.

FCC Part 15 compliance statement

This device complies with part 15 of the FCC Rules. Operation is subject to the following two conditions: (1) This device may not cause harmful interference, and (2) this device must accept any interference received, including interference that may cause undesired operation. NOTE: This equipment has been tested and found to comply with the limits for a Class B digital device, pursuant to part 15 of the FCC Rules. These limits are designed to provide reasonable protection against harmful interference in a residential installation. This equipment generates uses and can radiate radio frequency energy and, if not installed and used in accordance with the instruction, may cause harmful interference to radio communications. However, there is no guarantee that interference will not occur in a particular installation. If this equipment does cause harmful interference to radio or television reception which can be determined by turning the equipment off and on, the user is encouraged to try to correct interference by one or more of the following measures: - Reorient or relocate the receiving antenna. - Increase the separation between the equipment and receiver. - Connect the equipment into an outlet on circuit different from that to which the receiver is connected. - Consult the dealer or an experienced radio/TV technician for help.

Industry Canada Licence-Exempt Radio Apparatus

This device complies with Industry Canada licence-exempt RSS standard(s). Operation is subject to the following two conditions: (1) this device may not cause interference, and (2) this device must accept any interference, including interference that may cause undesired operation of the device.

Le présent appareil est conforme aux CNR d'Industrie Canada applicables aux appareils radio exempts de licence. L'exploitation est autorisée aux deux conditions suivantes : (1) l'appareil ne doit pas produire de brouillage, et (2) l'utilisateur de l'appareil doit accepter tout brouillage radioélectrique subi, même si le brouillage est susceptible d'en compromettre le fonctionnement.

Radio Frequency (RF) Exposure Compliance of Radiocommunication Apparatus

To satisfy FCC and IC RF Exposure requirements for mobile devices, a separation distance of 20 cm or more should be maintained between the antenna of this device and persons during operation. To ensure compliance, operation at closer than this distance is not recommended. This transmitter must not be co-located or operating in conjunction with any other antenna or transmitter.

Conformité à l'exposition aux champs RF des équipements radio

Pour satisfaire aux exigences FCC et IC concernant l'exposition aux champs RF pour les appareils mobile, une distance de séparation de 20 cm ou plus doit être maintenu entre l'antenne de ce dispositif et les personnes pendant le fonctionnement. Pour assurer la conformité, il est déconseillé d'utiliser cet équipement à une distance inférieure. Cet émetteur ne doit pas être co- situé ou fonctionner conjointement avec une autre antenne ou un autre émetteur.

Declaration of conformity CE



For devices with a serial number that begins with a 3.

Hereby, Riio Labs S.A. declares that the radio equipment type Blue Connect Smart Pool Analyser is in compliance with Directive 2014/53/EU. The full text of the EU declaration of conformity is available at the following internet address: **www.blueconnect.io/legal**

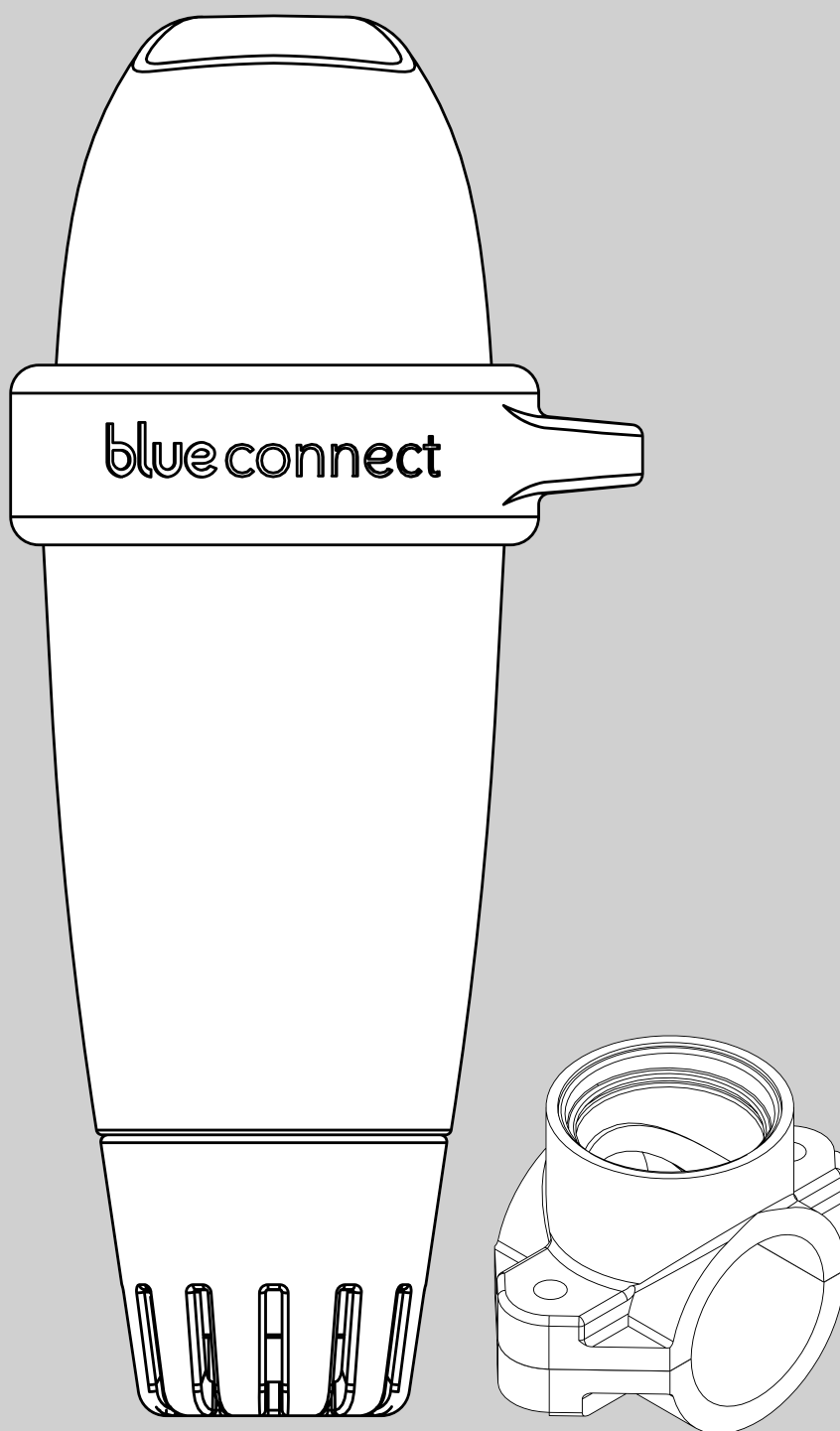
SIGFOX : Tx : 868.13MHz / 14dBm max Rx : 869.525MHz
Bluetooth LE : 2400-2483.5MHz / 10dBm max

Authorized countries codes:

ALB - AND - AUT - BEL - BIH - BLR - BUL - CYP - CZE -
DNK - EST - FIN - GRC - HNG - HOL - HRV - IRL - ISL -
LIE - LTU - LUX - LVA - MDA - MKD - MLT - MNE - NOR -
POL - POR - ROU - SRB - SUI - SVK - SVN - TUR

blue connect blue fit50

MODE D'EMPLOI _____



blue

Merci d'avoir choisi **Blue Connect**.

www.blueconnect.io

Introduction

A. Présentation

Blue Connect mesure en continu les paramètres principaux de votre piscine (température, pH, ORP/Redox, conductivité). Il vous informe également de la température extérieure et de la météo sur base de votre géolocalisation. Les résultats de ces analyses vous sont ensuite communiqués via des notifications sur l'application "**Blue Connect**" (disponible sur smartphone et tablette, compatible Android™ et iOS). Si l'appareil détecte qu'un des paramètres est incorrect, une alerte vous informe de cet état et vous donne les consignes à suivre pour réguler et stabiliser ce paramètre afin de maintenir une eau saine et équilibrée.

Blue Connect mesure :

- » La température de l'eau (°C,°F) : une température trop élevée réduit l'efficacité du produit désinfectant et favorise le développement de micro-organismes.
- » Le pH : le pH est l'abréviation de potentiel hydrogène. Cette grandeur mesure le caractère acide ou basique d'un milieu. Le pH participe à l'efficacité du désinfectant.
- » L'ORP / REDOX (mesure du chlore actif en mV) : la mesure ORP est représentée en milli-volts (mV). La mesure relevée par la sonde ORP du **Blue** est une tension en milli-volts (mV) qui représente le caractère plus ou moins oxydant de l'eau de votre bassin.
- » La conductivité¹ (µS) : Mesure de la concentration en sels inorganiques dans l'eau par l'aptitude de celle-ci à conduire de l'électricité.

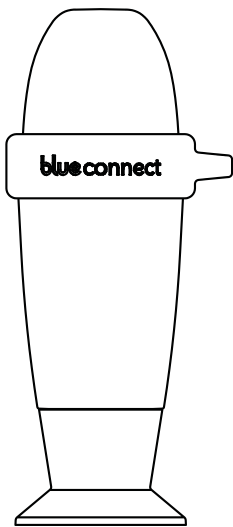
B. Précautions d'emploi

- » N'utilisez pas **Blue Connect** pour autre chose que l'analyse d'eau.
- » **Blue Connect** n'est pas un jouet. Evitez de lui faire subir des chocs au risque de l'endommager.
- » Gardez **Blue Connect** hors de portée des enfants lors de la manipulation de celui-ci (ex : calibration et mise en veille) pour des raisons d'utilisation de produits chimiques. Stockez les produits de calibration hors de portée des enfants.
- » N'ouvrez pas la partie supérieure de l'appareil (sauf lors du remplacement de la batterie). Suivez scrupuleusement les consignes de changement de batterie. Les dégâts causés par des liquides ne sont pas couverts par la garantie.
- » N'ouvrez pas la partie inférieure de l'appareil qui contient la sonde (sauf lors du remplacement de la sonde). Suivez scrupuleusement les consignes de changement de sonde. Les dégâts causés par des liquides ne sont pas couverts par la garantie.

¹ Pour les piscines au sel, la salinité (plus précisément le taux de sels total) est mesurée sur base de la conductivité. La mesure de la salinité renseignée par le **Blue** est exprimée en grammes par litre (g/L) de TDS (« Total Dissolved Solids »). Il s'agit d'une estimation de la quantité totale d'espèces dissoutes dans la piscine, basée sur l'hypothèse que l'espèce principale est le chlorure de sodium (NaCl ou sel de cuisine). Le chlorure de sodium augmente la conductivité de l'eau de votre piscine en fonction de sa concentration. Une estimation du taux de chlorure de sodium basée sur la conductivité déviara d'autant plus si d'autres sels inconnus sont présents dans votre bassin. Cette déviation peut être vérifiée en utilisant des bandelettes de détection colorimétriques spécifiques au chlorure de sodium.

- » Assurez-vous de ne pas laisser la sonde à sec sans le socle de stockage rempli de KCl (chlorure de potassium saturé), de pH4 ou, en dernier recours, d'eau courante avec une bonne dose de sel de cuisine.
- » N'utilisez pas d'eau déminéralisée dans le socle de stockage.
- » Assurez-vous que la partie supérieure de l'appareil soit hors de l'eau pour permettre le fonctionnement du système de communication.
- » Ne laissez pas **Blue Connect** dans une eau à moins de 5°C ou à plus de 50°C.
- » Conservez le numéro de série et le code² (key) de **Blue Connect**.
- » Stockez **Blue Connect** à l'abri du gel.

Contenu de la boîte

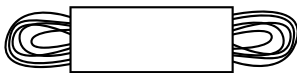


L'analyseur **Blue Connect** : il est livré sur le socle de stockage afin de protéger la sonde durant le transport. La sonde est immergée dans du KCl (chlorure de potassium saturé) qui assure sa protection.

Le socle de stockage : il est utilisé pour le transport de l'appareil hors de l'eau ou encore pour garder les capteurs immergés durant un stockage prolongé (en saison hivernale par exemple).



Le bouchon d'utilisation : il doit toujours être placé sur l'appareil avant sa mise à l'eau. Il protège les capteurs d'éventuels chocs.



La corde : elle permet d'accrocher l'appareil à un point de fixation.



Le guide de démarrage rapide : il vous aide lors du démarrage de l'appareil.

² Au dos du guide de démarrage rapide et sur le socle de stockage de **Blue Connect**.

Installation de l'application

1. Activez internet (Wi-Fi ou 4G) et le Bluetooth® sur votre smartphone ou sur votre tablette.
NB : Restez proche de votre appareil pendant toute la durée de l'activation de **Blue Connect**.



2. Téléchargez l'application gratuite "**Blue Connect**" sur les plateformes App Store® et Google Play™.



3. Autorisez les notifications pour profiter des alertes.

4. Connectez-vous à "**Blue Connect**" :
 - » via Facebook®.
 - » via Twitter®.
 - » via votre adresse e-mail.

5. Créez votre piscine : Saisissez les caractéristiques de votre piscine.
NB : Vous pouvez à tout moment revenir aux caractéristiques de la piscine active dans "Paramètres" » "Ma Piscine".

NB : Pour ajouter une autre piscine dans l'application, appuyez sur le nom de la piscine active et appuyez sur "+".

L'application est modulée en 4 sections principales³ :



Tableau de bord : il vous informe du statut de **Blue Connect**, de la température de l'eau, de la météo locale, et de la qualité de l'eau de votre piscine.



Tableau de valeurs : il vous informe précisément des valeurs mesurées par **Blue Connect**, des tendances et des valeurs idéales.



Guide de maintenance : il vous conseille les opérations à effectuer pour maintenir la qualité de l'eau de votre piscine.



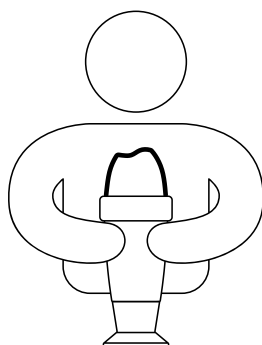
Paramètres : il vous permet de configurer les paramètres de votre piscine et des appareils **Blue** mais également d'avoir accès à l'assistance et au support technique.

³ L'application est sujette à des améliorations et des changements continuels.

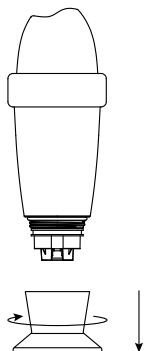
Installation de Blue Connect

A. Comment démarrer Blue Connect ?

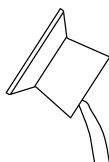
1. Dans l'application, dans "Paramètres" » "Mon **Blue Connect**", appuyez sur "Ajouter un **Blue Connect**" et insérez le code (key) ainsi que les trois derniers chiffres du numéro de série (SN) qui se trouvent tous deux au dos du guide de démarrage ou sur le socle de stockage de l'appareil.
2. Pour démarrer l'appareil, activez-le. Son sommet est en forme de vague. Placez le creux de la vague vers vous et secouez-le d'un coup sec. Deux bips sont émis, cela signifie que l'opération a été effectuée avec succès.



3. Appuyez sur "Ok" pour finaliser l'activation. L'appareil est désormais lié à votre compte et il est définitivement lié au réseau Sigfox®⁴.
4. Posez **Blue Connect** debout sur le socle de stockage et dévissez-le.

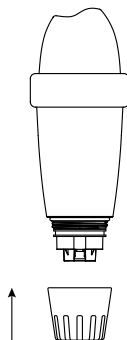


5. Videz le socle de stockage, rincez-le à l'eau claire puis rangez-le.

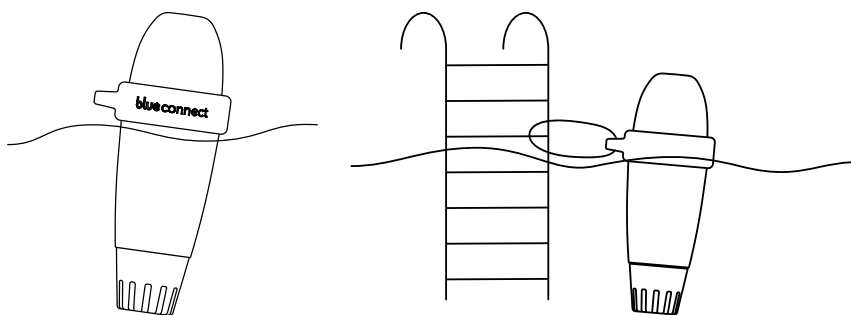


⁴ Sigfox® est un réseau de télécommunication spécialisé dans l'internet des objets. Il s'agit d'un réseau cellulaire bas-débit qui n'interfère pas avec votre réseau Wi-Fi domestique. Vous pouvez vérifier si votre piscine est couverte par Sigfox® sur la carte en temps réel de l'opérateur : www.sigfox.com/coverage. **Blue Connect** utilise Sigfox® pour transférer des données sur votre smartphone.

6. Rincez la sonde à l'eau claire et placez le bouchon d'utilisation sur la partie inférieure de l'appareil afin de protéger les sondes.



7. Placez **Blue Connect** dans la piscine :
- » Dans le **bassin** : laissez-le flotter dans votre bassin. Vous pouvez l'attacher si nécessaire. Pour cela, reliez-le à un point de fixation par la corde grâce à l'anneau en caoutchouc.
 - » Dans le **local technique** grâce au **Blue Fit50**⁵ (Cfr p.17).



NB : Veillez à ce que l'appareil soit bien à la verticale et que la partie supérieure soit hors de l'eau pour assurer une communication correcte de l'appareil.

B. Remarques

- » Ne laissez pas la sonde à l'air libre.
- » Le réseau Sigfox® se connecte automatiquement et envoie des mesures à intervalles réguliers.
- » La sonde peut prendre quelques heures pour stabiliser les paramètres après sa première immersion dans la piscine.
- » En cas de couverture Sigfox® inexistante, il existe deux solutions :
 - » **Blue Connect** fonctionne en Bluetooth®. Dans ce cas, vous devez prendre une/des mesure(s) en Bluetooth® quotidiennement pour que l'appareil puisse faire son travail d'analyseur.
 - » **Blue Extender**⁶ permet à **Blue Connect** de se connecter à votre Wi-Fi. Pour plus d'information, rendez-vous sur notre site ou contactez votre revendeur.

N'hésitez pas à consulter notre vidéo de démarrage de **Blue Connect** sur www.blueconnect.io (assistance).

⁵ **Blue Fit50** est un accessoire de **Blue Connect**. Il est disponible dans le pack **Blue Connect Plus** ou se vend séparément.

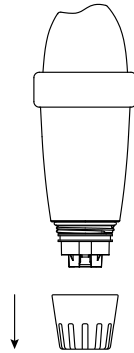
⁶ Vendu séparément.

Entretien de Blue Connect

A. Calibration

NB : Il n'est pas nécessaire de calibrer à la réception de l'appareil. En général il est nécessaire de calibrer une à deux fois par saison. Utilisez le kit de calibration spécialement prévu pour **Blue Connect** ou des solutions de calibration standards disponibles chez les piscinistes. Les produits de calibration sont à usage unique.

1. Sortez l'appareil de l'eau, retirez le bouchon d'utilisation et rincez la sonde à l'eau claire.



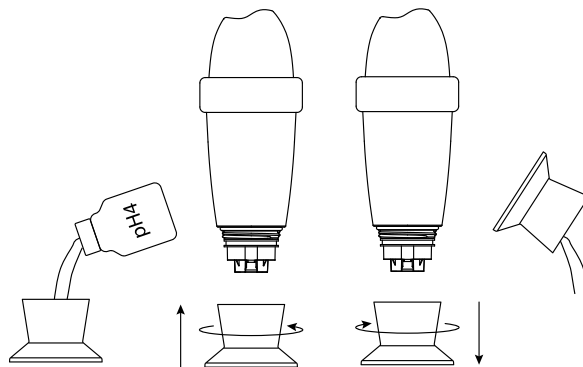
2. Nettoyez le socle de stockage à l'eau claire et essuyez-le.

3. Activez internet (Wi-Fi ou 4G) et le Bluetooth® sur votre smartphone.
NB : Restez proche de votre appareil pendant toute la durée de la calibration.



4. Dans l'application, dans "Paramètres" » "Mon **Blue Connect**" » "Paramètre de la sonde" appuyez sur "Calibrer le **Blue Connect**" et suivez les étapes dans l'application. Si vous avez le choix entre plusieurs produits, sélectionnez la solution de calibration que vous allez utiliser.

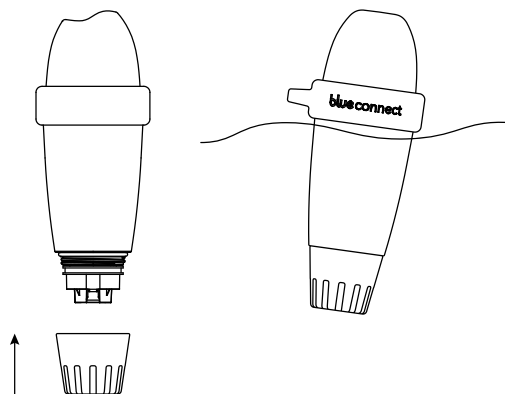
5. Placez la solution de calibration dans le socle de stockage et vissez-le à l'appareil. Ensuite, appuyez sur "Suivant". En haut de l'écran, vous verrez la progression de la prise de mesure. Une fois la mesure terminée, dévissez le socle de stockage et rincez la sonde. Videz le socle de stockage, rincez-le⁷ et essuyez-le.



⁷ Nettoyez toujours la sonde et le socle de stockage à l'eau claire après avoir utilisé un produit de calibration pour éviter les mélanges.

6. Validez la calibration.

7. Placez le bouchon d'utilisation et remettez **Blue Connect** dans la piscine.

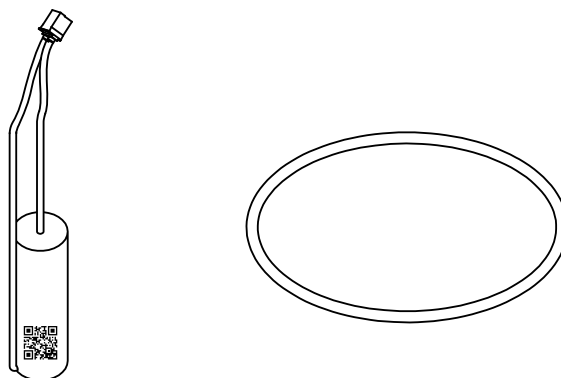


B. Remplacement de la batterie

Le remplacement de la batterie s'effectue environ tous les deux ans. Pour se la procurer, contactez votre revendeur.

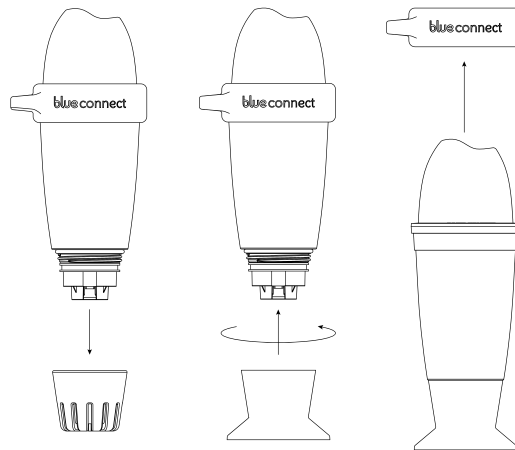
NB : Pour assurer une longévité maximale de la batterie, mettez **Blue Connect** en veille lorsque vous hivernez votre piscine (Cfr p.14).

Contenu de la boîte :

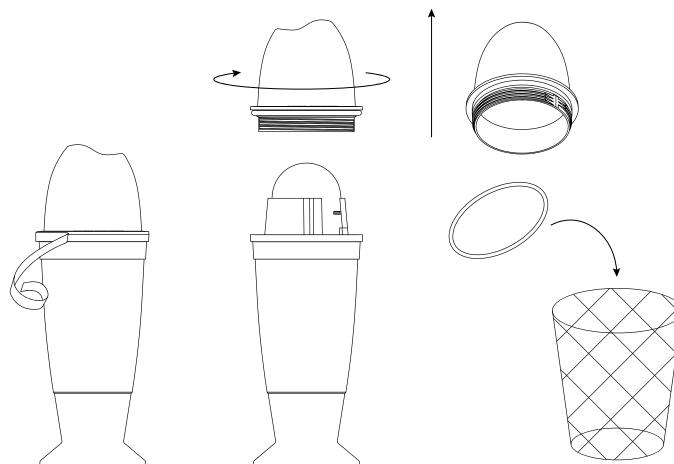


Installation :

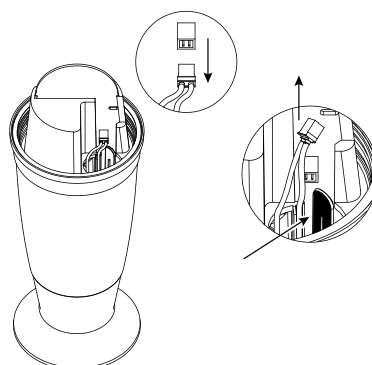
1. Dans "Paramètres" » "Mon **Blue Connect**", appuyez sur "Changement de batterie".
2. Sortez l'appareil de l'eau, enlevez l'anneau en caoutchouc et le bouchon d'utilisation et placez **Blue Connect** sur son socle de stockage.



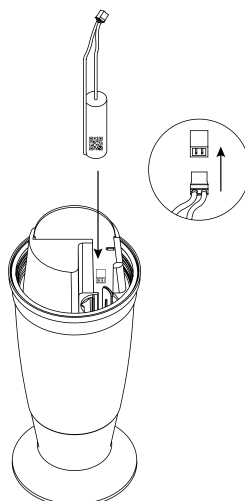
3. Essayez-le et commencez la procédure dans un endroit sec et propre.
4. Enlevez le ruban adhésif et dévissez la partie supérieure de l'appareil. Il s'agit d'un filet gauche. Dévissez-le donc dans le sens des aiguilles d'une montre. Enlevez le joint et jetez-le.



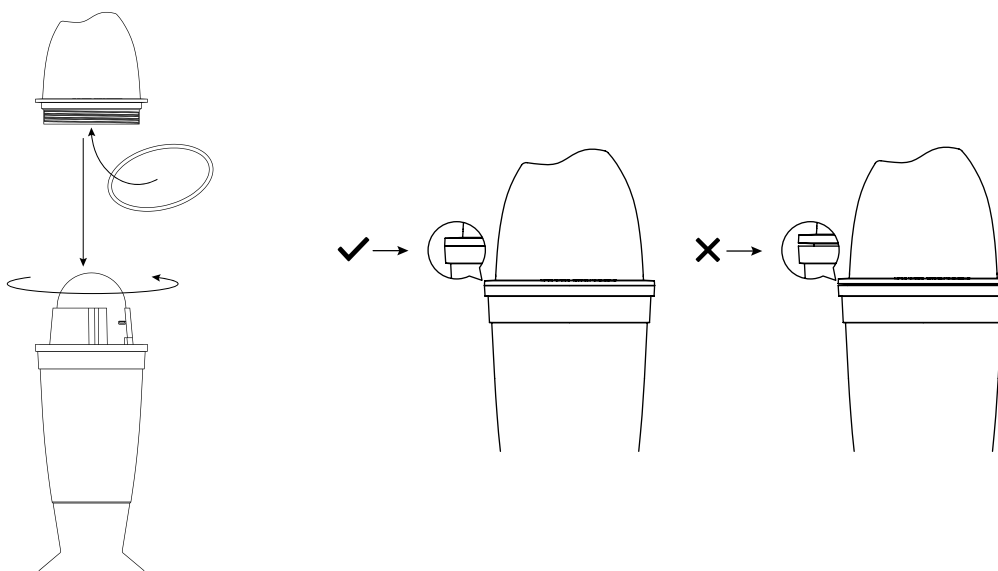
5. Débranchez le connecteur blanc en tirant sur le câble rouge et noir. La batterie se trouve à l'autre extrémité du câble. Appuyez sur la tige en plastique afin de débloquer la batterie et retirez-la en tirant sur le câble.



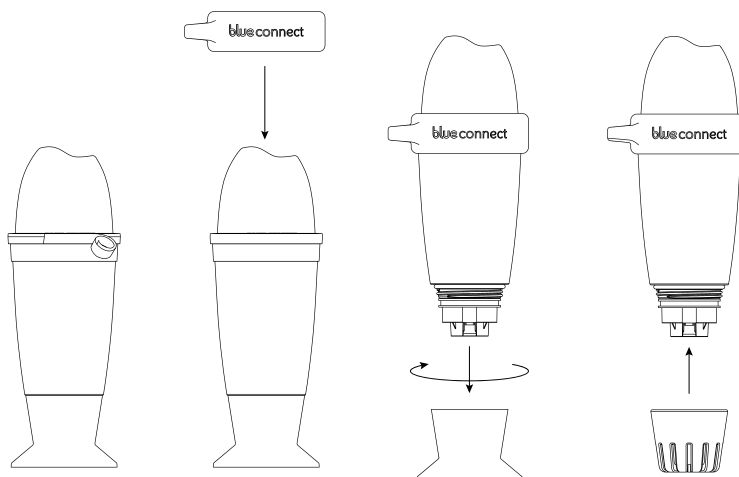
6. Placez la nouvelle batterie au fond de la cavité jusqu'à ce qu'elle soit bloquée. Ensuite, branchez le connecteur.



7. Placez le nouveau joint fourni avec la batterie sur le pas de vis de la partie supérieure de l'appareil. Refermez la partie supérieure. Il s'agit d'un filet gauche. Vissez-le donc dans le sens contraire des aiguilles d'une montre.



8. Remettez l'anneau. Placez ensuite le bouchon d'utilisation et remettez **Blue Connect** à l'eau.

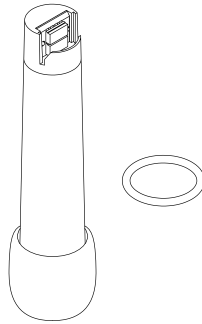


C. Remplacement de la sonde

Le remplacement de la sonde s'effectue environ tous les deux ans⁸. Pour se la procurer, contactez votre revendeur.

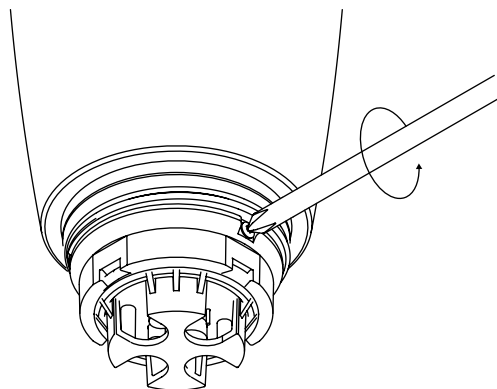
NB : Pour assurer une longévité maximale de la sonde, conservez-la un maximum de temps dans un milieu humide. Si vous sortez l'appareil de l'eau, vous devez le visser sur le socle de stockage avec du KCl (chlorure de potassium saturé), du pH4 ou, en dernier recours, de l'eau courante avec une bonne dose de sel de cuisine.

Contenu de la boîte :



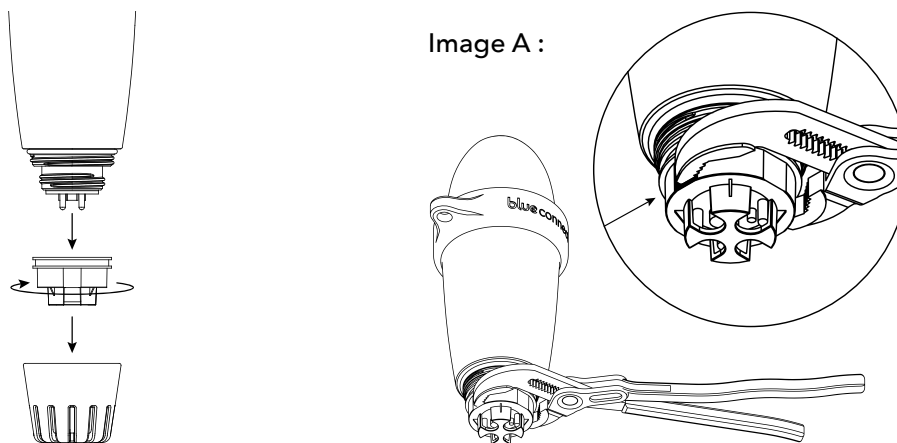
Installation :

1. Dans l'application, dans "Paramètres" » "Mon **Blue Connect**" » "Paramètres de la sonde", appuyez sur "Changement de sonde".
2. Sortez **Blue Connect** de l'eau, enlevez le bouchon d'utilisation et commencez la procédure dans un endroit sec et propre.
3. Essuyez **Blue Connect** avec un chiffon propre et absorbant en faisant davantage attention à sécher correctement la partie basse du produit (où se trouve la sonde) sans toucher aux capteurs.
4. À l'aide du tournevis, dévissez la vis qui se trouve sur le contour de l'écrou.

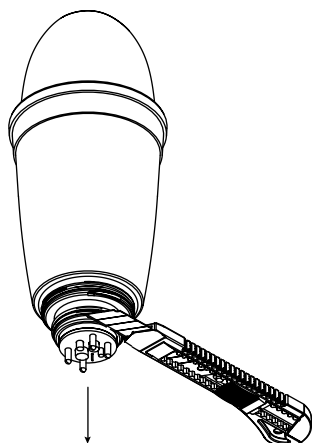


⁸ Assurez-vous de ne pas laisser la sonde à sec sans le socle de stockage rempli de KCl (chlorure de potassium saturé), de pH4 ou, en dernier recours, d'eau courante avec une bonne dose de sel de cuisine.

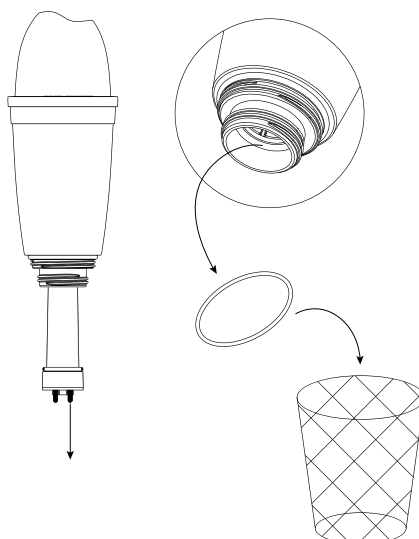
5. Dévissez l'écrou à l'aide du chiffon. Si vous avez des difficultés à dévisser l'écrou, utilisez une pince multiprise en la plaçant à cet endroit précis (Image A).



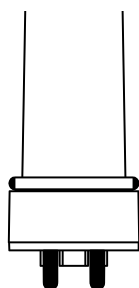
6. Utilisez un couteau ou un cutter (ou des ongles) pour débloquer la sonde.



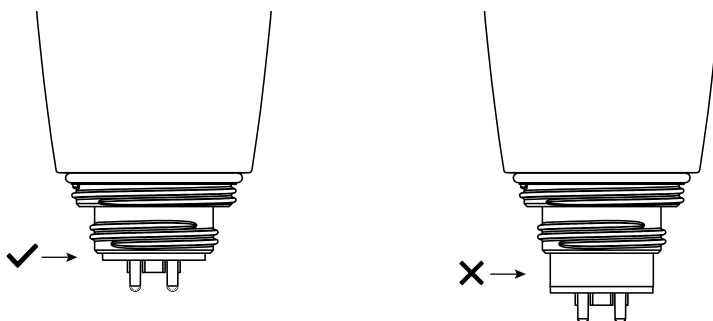
7. Retirez la sonde en veillant à garder **Blue Connect** en position verticale (avec la partie supérieure de l'appareil au-dessus et la partie inférieure en-dessous) afin que de l'eau résiduelle ne rentre pas dans le produit. Veillez à retirer le joint et jetez-le. Il pourrait être bloqué à l'intérieure.



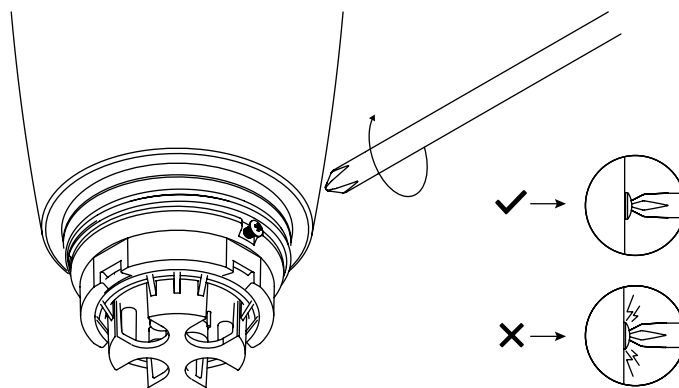
8. Essuyez l'eau résiduelle qui se trouverait au niveau de l'ouverture du **Blue Connect** et à l'intérieur du trou avec le chiffon.
9. Prenez la nouvelle sonde, scannez son QR code et enlevez le bouchon de protection. Soyez délicat. Veillez à ne pas faire tomber la sonde car c'est un élément très fragile.
10. Essuyez le corps en plastique noir de la nouvelle sonde si nécessaire. Il doit être parfaitement sec.
NB : Assurez-vous que les contacts dorés de la partie supérieure de la sonde soient propres (brillant) et secs. En cas contraire, nettoyez-les avec un coton-tige trempé dans de l'alcool ménager.
11. Placez le nouveau joint, fourni avec la recharge, sur la nouvelle sonde.



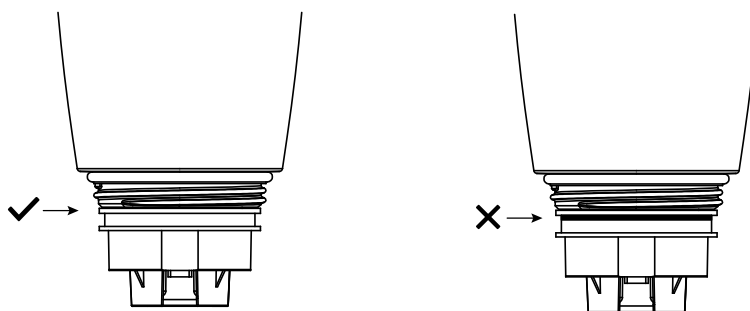
12. Insérez la sonde et tournez-la jusqu'à ce qu'elle s'enfonce correctement. Trois bips sont émis dans les 15 secondes.



13. À l'aide d'un tournevis, vissez la vis (à fond mais sans forcer) sur le contour de l'écrou.



- 14.** Vissez l'écrou à fond sur l'appareil. N'hésitez pas à utiliser un chiffon afin de le serrer correctement sans se blesser la main. Placez ensuite le bouchon d'utilisation et remettez **Blue Connect** à l'eau.

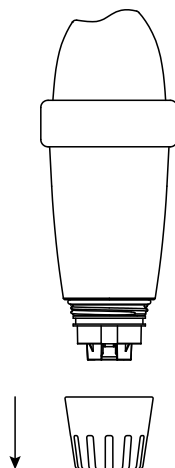


NB : La sonde peut prendre quelques heures pour stabiliser les paramètres après sa première immersion dans la piscine.

D. Mettre Blue Connect en veille pour l'hivernage/stockage

Hivernage :

- 1.** Retirez l'appareil de l'eau. Enlevez le bouchon d'utilisation.

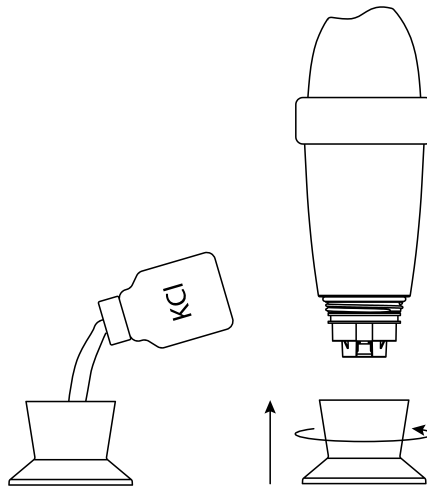


- 2.** Activez internet (Wi-Fi ou 4G) et le Bluetooth® sur votre smartphone.
NB : Restez proche de l'appareil pendant toute la durée de la mise en veille.



- 3.** Dans l'application, dans "Paramètres" » "Mon **Blue Connect**", appuyez sur "Mettre **Blue Connect** en veille".

4. Rincez le socle de stockage et essuyez-le. Placez du KCl⁹ (chlorure de potassium saturé) ou du pH4 dans le socle de stockage et vissez-le.



5. Validez la mise en veille et stockez **Blue Connect** à l'abri du gel.

Stockage :

Si vous devez sortir **Blue Connect** hors de l'eau, vissez-le sur le socle de stockage avec du KCl (chlorure de potassium saturé), du pH4 ou en dernier recours de l'eau courante avec une bonne dose de sel de cuisine car la sonde ne peut pas rester à sec.

E. Activer Blue Connect après hivernage

1. Dans "Paramètres" » "Mon **Blue Connect**", appuyez sur "Activer le **Blue Connect**".
2. Voir "**Installation de Blue Connect**" à partir du point 2.

⁹ Le KCl présent dans le socle de stockage peut provoquer la formation de sel aggloméré au niveau de la jonction avec le corps de l'appareil mais ne présente aucun danger. Rincez simplement à l'eau claire pour nettoyer.

Caractéristiques techniques

- » Dimension : 253 mm x 96 mm
- » Poids : 714 g
- » Standard de protection : Norme IPx8
- » Capteurs et mesures :
 - pH : Plage de mesure : 0 à 14
 - Précision : $\pm 0,1$
 - Résolution : 0,1
 - Température (eau) : Plage de mesure : 5 à 50°C
 - Précision : $\pm 0,2^{\circ}\text{C}$
 - Résolution : 0,1°C
 - Redox/ORP (chlore actif) : Plage de mesure : 0 à 999 mV
 - Précision : $\pm 20\text{mV}$
 - Résolution : 1mV

 - Conductivité : Plage de mesure : 250 à 15.000 $\mu\text{S}/\text{cm}$
 - Précision : $\pm 10\%$
 - Résolution : 1 $\mu\text{S}/\text{cm}$
- » Connectivité : Sigfox®, Bluetooth Low Energy® (BLE)
- » Source d'alimentation : 1 batteries Lithium (chlorure de thionyle)
- » Tension nominale: 3,6 V
- » Système d'exploitation : iOS, Android™ (4.0 Bluetooth®, Android™ 4.3 et iOS 9.0)
- » Langues : Anglais, Français, Espagnol, Néerlandais, Allemand, Italien, Portugais, Catalan, Tchèque, Suédois
- » Compatibilité territoriale : EU : 868 MHZ
 - US / AU : 902 / 920 MHZ

blue fit50

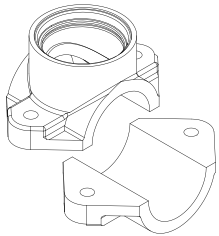
Introduction

A. Présentation

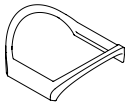
Le **Blue Fit50** est un collier de prise en charge compatible avec **Blue Connect**. Il permet d'installer **Blue Connect** dans le local technique.

Remarque : **Blue Fit50** est un accessoire de **Blue Connect**. Il est disponible dans le pack **Blue Connect Plus** ou se vend séparément.

B. Contenu de la boîte



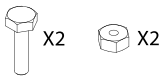
Un collier de prise en charge 50mm (EU) ou 60mm (US/AU).



Le joint d'étanchéité (déjà placé à l'intérieur du collier de prise en charge).



Un bouchon.



2 boulons.

C. Précautions d'emploi

- » Ne laissez pas le **Blue Connect** sur le **Blue Fit50** quand il n'y a pas d'eau dans les tuyaux.
- » En cas de manipulation sur le circuit hydraulique (risque de Coup de Bélier), il est conseillé d'enlever le **Blue Connect** afin de ne pas détériorer le produit.
- » Veillez à créer un débit suffisant dans votre installation pour que le **Blue Connect** puisse prendre des mesures.
- » **Blue Fit50** ne peut pas se fixer sur des tuyaux flexibles.
- » **Blue Fit50** supporte une pression maximale de 3 bars.
- » **Blue Fit50** s'utilise sur un tuyau de 50 mm en Europe et sur un tuyau de 60mm pour les Etats Unis et l'Australie.
- » Placez toujours le **Blue Connect** verticalement avec la sonde vers le bas.

Installation du Blue Fit50

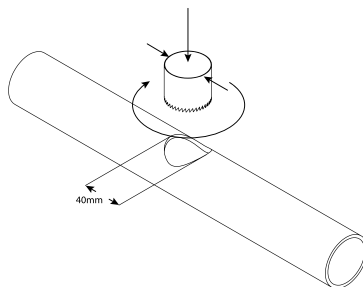
NB : Si vous avez des doutes, demandez conseil à votre piscinier.

A. Trouver le bon emplacement

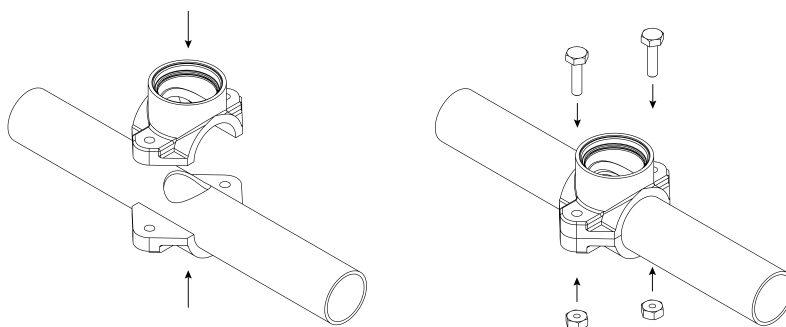
Veillez toujours à placer le **Blue Fit50** après le filtre (pour éviter d'abîmer les sondes) et avant votre système d'injection de produit ou électrolyse (pour ne pas altérer les mesures prises par le **Blue Connect**).

B. Mise en place

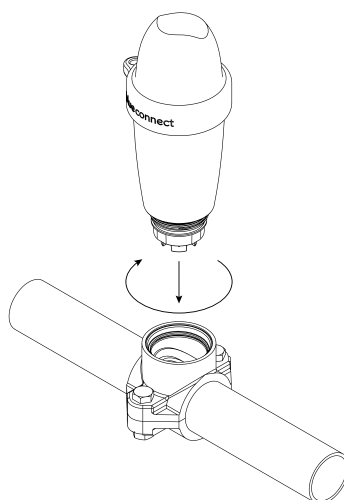
1. Coupez le système de filtration.
2. Percez un trou avec une cloche de 40 mm de diamètre dans la partie supérieure du tuyau.
NB : Le **Blue Connect** devra se trouver en position verticale avec la sonde vers le bas.



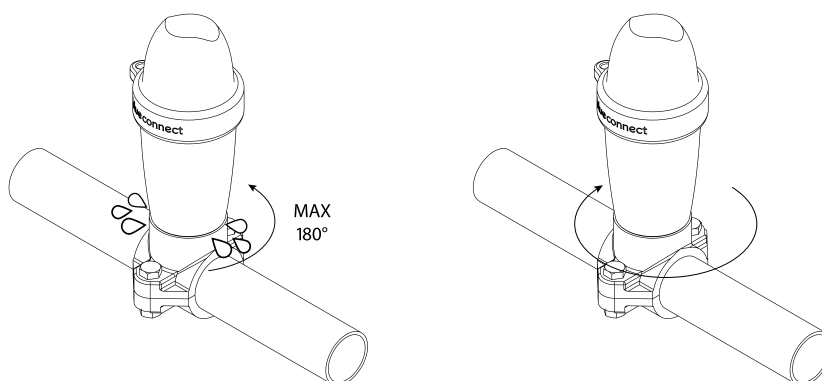
3. Placez les deux parties du collier de prise en charge de part et d'autre du tuyau de manière à ce que les trous coïncident et vissez le collier de prise en charge.



4. Vissez le **Blue Connect**.



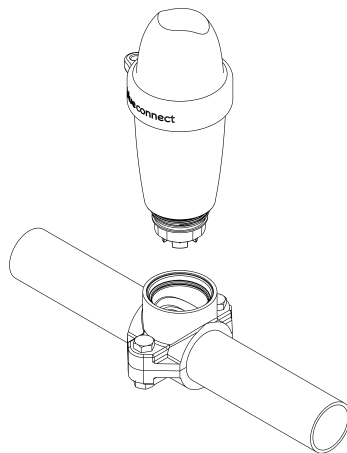
5. Activez le système de filtration.
6. Dévissez le **Blue Connect** légèrement et lentement (maximum ½ tour) afin de faire sortir l'air éventuel. Dès que l'eau sort, cela signifie qu'il n'y a plus d'air dans les tuyaux, et vous pouvez alors revisser **Blue Connect** fortement.



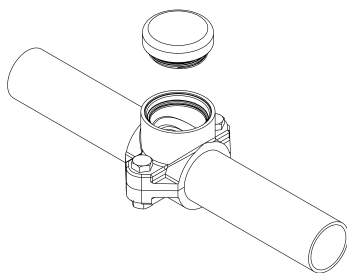
7. Dans l'application, dans "Paramètres" » "Mon **Blue Connect**" » "Localisation", activez l'option **Blue Fit50**.

Procédure d'hivernage

1. Dévissez le **Blue Connect**.



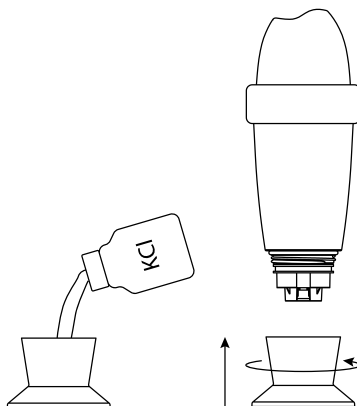
2. Fermez le collier de prise en charge avec le bouchon fourni dans la boîte du **Blue Fit50**.



3. Activez internet (Wi-Fi ou 4G) et le Bluetooth® sur votre smartphone.
NB : Restez proche de l'appareil pendant toute la durée de la mise en veille.



4. Dans l'application, dans "Paramètres" » "Mon **Blue Connect**", appuyez sur "Mettre **Blue Connect** en veille".
5. Rincez le socle de stockage et essuyez-le. Placez du KCl¹⁰ (chlorure de potassium saturé) ou du pH4 dans le socle de stockage et vissez-le.



6. Validez la mise en veille et stockez **Blue Connect** à l'abri du gel.



N'hésitez pas à visiter notre site d'assistance en ligne pour profiter d'une aide à distance : www.blueconnect.io (assistance).

Informations générales

Garanties

- » Garantie du produit + sondes : 24 mois.
- » Garantie batterie : 12 mois.

Riio Labs n'offre aucune garantie contre la détérioration du matériel suite à une manipulation de celui-ci notamment le changement de sonde et de batterie, ni contre les dégâts suite à l'assèchement des sondes, ni contre l'usure et le vieillissement normal du produit, ni contre les dommages causés par un accident ou un usage abusif. Riio Labs n'offre pas de garantie en cas de non respect des précautions d'emploi.

Comment recycler ce produit



Ce symbole indique que ce produit doit être éliminé conformément aux prescriptions légales en vigueur et séparé des déchets domestiques. Lorsque ce produit atteint sa fin de vie, ramenez celui-ci aux points de collecte officiels. Le tri et le recyclage de votre produit permettent de protéger les réserves de matières premières et garantissent le respect de toutes les dispositions relatives à la protection de la santé et de l'environnement dans le cadre du recyclage.

¹⁰ Le KCl présent dans le socle de stockage peut provoquer la formation de sel aggloméré au niveau de la jonction avec le corps de l'appareil mais ne présente aucun danger. Rincez simplement à l'eau claire pour nettoyer.

Marques déposées

Riiot Labs, **Blue Connect** et **Blue Fit50** ainsi que leurs logos respectifs pourraient être des marques déposées ou enregistrées de Riiot Labs S.A.

Fluidra ainsi que leurs logos sont des marques déposées ou enregistrées de Fluidra S.A.

La marque Bluetooth® (et son logo) est une marque enregistrée et est la propriété de Bluetooth® SIG, Inc et son utilisation par **Blue Connect** est soumise à licence.

AppStore est une marque de services Apple, Inc. déposée aux Etats-unis et dans d'autres pays.

iOS est une marque commerciale ou déposée de Cisco aux Etat-Unis et dans d'autres pays, utilisée sous licence.

Google Play et Android sont des marques de Google Inc.

Toutes les autres marques de commerce et marques déposées mentionnées dans le présent document sont protégées par Copyright et sont la propriété de leurs propriétaires respectifs.

Déclaration de conformité



Pour vous procurer un exemplaire de la déclaration FCC, CE de conformité, rendez-vous sur notre site web www.blueconnect.io/legal.

Pour plus d'information, consultez notre site www.blueconnect.io (assistance).

Declaration of conformity FCC

Changes or modifications not expressly approved by Riio Labs SA could void the user's authority to operate the equipment.

For devices with a serial number that begins with a 4.

FCC Part 15 compliance statement

This device complies with part 15 of the FCC Rules. Operation is subject to the following two conditions: (1) This device may not cause harmful interference, and (2) this device must accept any interference received, including interference that may cause undesired operation. NOTE: This equipment has been tested and found to comply with the limits for a Class B digital device, pursuant to part 15 of the FCC Rules. These limits are designed to provide reasonable protection against harmful interference in a residential installation. This equipment generates uses and can radiate radio frequency energy and, if not installed and used in accordance with the instruction, may cause harmful interference to radio communications. However, there is no guarantee that interference will not occur in a particular installation. If this equipment does cause harmful interference to radio or television reception which can be determined by turning the equipment off and on, the user is encouraged to try to correct interference by one or more of the following measures: - Reorient or relocate the receiving antenna. - Increase the separation between the equipment and receiver. - Connect the equipment into an outlet on circuit different from that to which the receiver is connected. - Consult the dealer or an experienced radio/TV technician for help.

Industry Canada Licence-Exempt Radio Apparatus

This device complies with Industry Canada licence-exempt RSS standard(s). Operation is subject to the following two conditions: (1) this device may not cause interference, and (2) this device must accept any interference, including interference that may cause undesired operation of the device.

Le présent appareil est conforme aux CNR d'Industrie Canada applicables aux appareils radio exempts de licence. L'exploitation est autorisée aux deux conditions suivantes : (1) l'appareil ne doit pas produire de brouillage, et (2) l'utilisateur de l'appareil doit accepter tout brouillage radioélectrique subi, même si le brouillage est susceptible d'en compromettre le fonctionnement.

Radio Frequency (RF) Exposure Compliance of Radiocommunication Apparatus

To satisfy FCC and IC RF Exposure requirements for mobile devices, a separation distance of 20 cm or more should be maintained between the antenna of this device and persons during operation. To ensure compliance, operation at closer than this distance is not recommended. This transmitter must not be co-located or operating in conjunction with any other antenna or transmitter.

Conformité à l'exposition aux champs RF des équipements radio

Pour satisfaire aux exigences FCC et IC concernant l'exposition aux champs RF pour les appareils mobile, une distance de séparation de 20 cm ou plus doit être maintenu entre l'antenne de ce dispositif et les personnes pendant le fonctionnement. Pour assurer la conformité, il est déconseillé d'utiliser cet équipement à une distance inférieure. Cet émetteur ne doit pas être co- situé ou fonctionner conjointement avec une autre antenne ou un autre émetteur.

Declaration of conformity CE



For devices with a serial number that begins with a 3.

Hereby, Riio Labs S.A. declares that the radio equipment type Blue Connect Smart Pool Analyser is in compliance with Directive 2014/53/EU. The full text of the EU declaration of conformity is available at the following internet address: **www.blueconnect.io/legal**

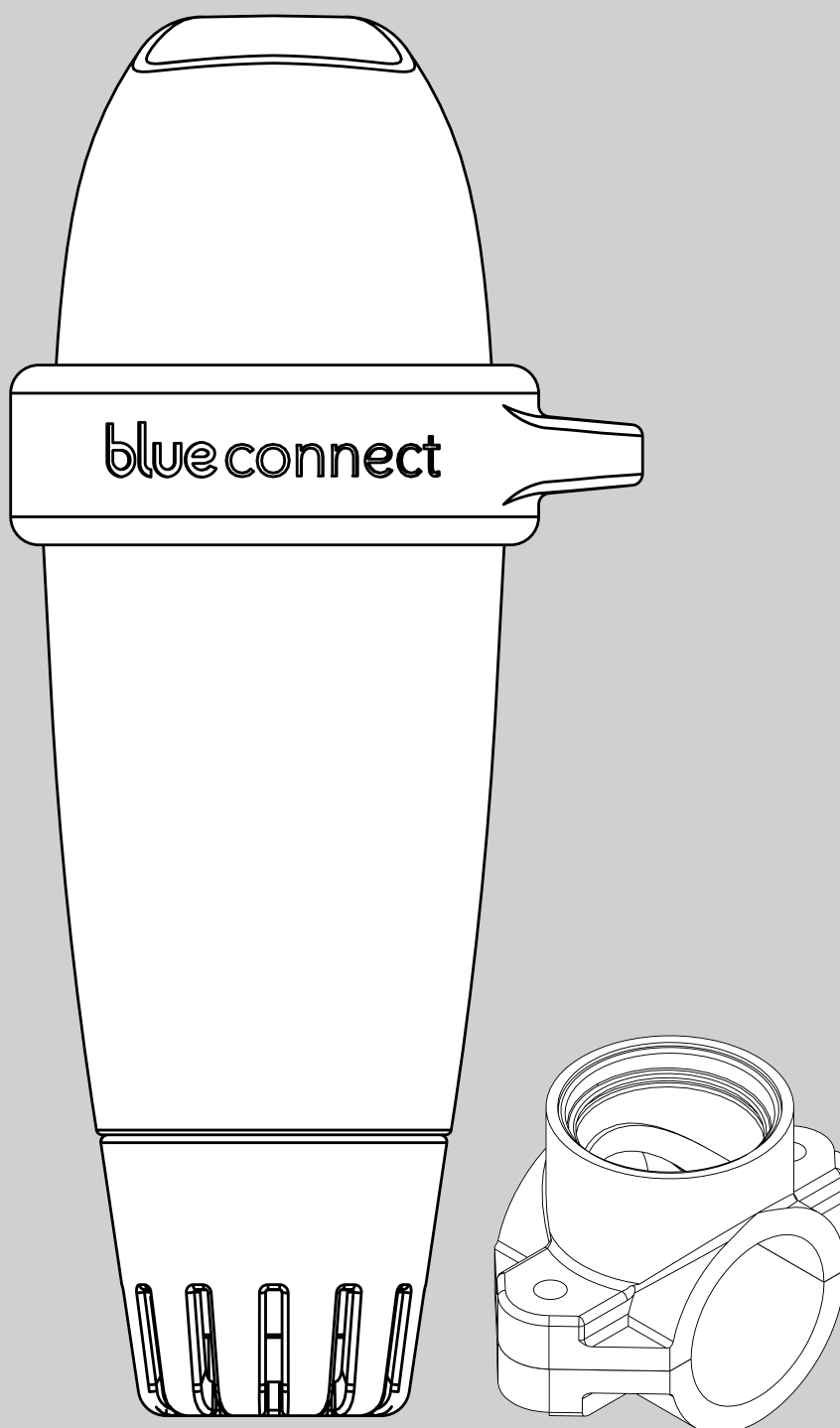
SIGFOX : Tx : 868.13MHz / 14dBm max Rx : 869.525MHz
Bluetooth LE : 2400-2483.5MHz / 10dBm max

Authorized countries codes:

ALB - AND - AUT - BEL - BIH - BLR - BUL - CYP - CZE -
DNK - EST - FIN - GRC - HNG - HOL - HRV - IRL - ISL -
LIE - LTU - LUX - LVA - MDA - MKD - MLT - MNE - NOR -
POL - POR - ROU - SRB - SUI - SVK - SVN - TUR

blue connect blue fit50

BEDIENUNGSANLEITUNG



blue

Vielen Dank, dass Sie sich für **Blue Connect** entschieden haben.

www.blueconnect.io

Einleitung

A. Überblick

Blue Connect misst kontinuierlich die wichtigsten Parameter Ihres Schwimmbeckens (Temperatur, pH-Wert, ORP/Redox, Leitfähigkeit). Außerdem informiert das Gerät über die Außentemperatur und das Wetter an Ihrem Standort. Die Ergebnisse dieser Analyse erhalten Sie über die App "**Blue Connect**" als Benachrichtigung an Ihr kompatibles Smartphone oder Tablet unter Android™ und iOS gesendet. Erkennt das Gerät einen fehlerhaften Parameter, werden Sie über den Status informiert. Sie erhalten Hinweise, wie Sie diesen Parameter regulieren und stabilisieren, um eine gesunde, gleichbleibende Wasserqualität sicherzustellen.

Blue Connect misst folgende Werte:

- » Wassertemperatur (°C, °F): Eine zu hohe Temperatur verringert die Wirksamkeit des Desinfektionsmittels und fördert das Wachstum von Mikroorganismen.
- » pH-Wert: Misst den sauren oder basischen Charakter eines Mediums. Der pH-Wert hat Auswirkungen auf die Wirksamkeit des Desinfektionsmittels.
- » ORP/Redox-Spannung (Anteil des Aktivchlors in mV): Der ORP-Wert wird in Millivolt (mV) angegeben. Der ORP-Fühler Ihres Blue misst einen Spannungswert in Millivolt (mV), der angibt, wie stark die oxidierende Wirkung Ihres Beckenwassers ist.
- » Leitfähigkeit¹ (µS): Messung der Konzentration anorganischer Salze im Wasser anhand dessen Fähigkeit, elektrischen Strom zu leiten.

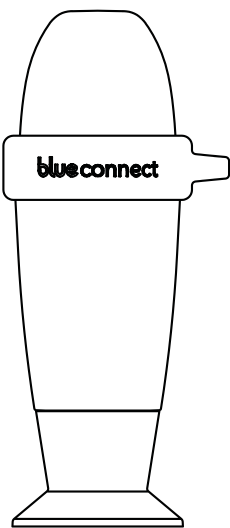
B. Gebrauchshinweise

- » Verwenden Sie **Blue Connect** ausschließlich für die Wasseranalyse.
- » **Blue Connect** ist kein Spielzeug. Vermeiden Sie Erschütterungen, da das Gerät dadurch beschädigt werden kann.
- » Halten Sie **Blue Connect** wegen der eingesetzten Chemikalien während der Handhabung (z. B. Kalibrierung oder Versetzen in den Standby-Betrieb) außerhalb der Reichweite von Kindern. Bewahren Sie die Kalibrierprodukte außer Reichweite von Kindern auf.
- » Öffnen Sie nicht den oberen Teil des Geräts (außer zum Batteriewechsel). Befolgen Sie die Anweisungen zum Batteriewechsel genau. Durch Flüssigkeiten verursachte Schäden sind von der Garantie ausgeschlossen.
- » Öffnen Sie nicht den unteren Teil des Geräts (außer zum Wechseln des Fühlers). Befolgen Sie die Anweisungen zum Fühlerwechsel genau. Durch Flüssigkeiten verursachte Schäden sind von der Garantie ausgeschlossen.

¹ Bei Salzwasserbecken wird der Salzgehalt (bzw. genauer der Gesamtsalzgehalt) anhand der Leitfähigkeit gemessen. **Blue** gibt den gemessenen Salzgehalt in Gramm gesamt gelöste Feststoffe (TDS) pro Liter (g/l) an. Dies ist ein Schätzwert der Gesamtmenge gelöster Teilchen im Becken, basierend auf der Annahme, dass diese Teilchen hauptsächlich aus Natriumchlorid (NaCl, Kochsalz) bestehen. Natriumchlorid erhöht abhängig von der Konzentration die Leitfähigkeit des Beckenwassers. Der auf der Leitfähigkeit basierende Schätzwert weicht immer weiter vom Istwert ab, je mehr unbekannte Salze in Ihrem Becken gelöst sind. Diese Abweichung kann über spezielle kolorimetrische Teststreifen für Natriumchlorid überprüft werden.

- » Bewahren Sie den Fühler außerhalb des Wassers grundsätzlich in der mit KCl (gesättigter Kaliumchloridlösung), pH4-Lösung oder notfalls unter fließendem Wasser mit Kochsalzzusatz auf gefüllten Aufbewahrungskappe auf.
- » Füllen Sie die Aufbewahrungskappe nicht mit demineralisiertem Wasser.
- » Achten Sie darauf, dass der obere Teil des Geräts aus dem Wasser ragt, um die Datenübertragung zu ermöglichen.
- » Für einen optimalen Betrieb von **Blue Connect** muss die Wassertemperatur zwischen 5 und 50 °C liegen.
- » Bewahren Sie die Seriennummer und den Code1 (key) von **Blue Connect** auf.
- » Lagern Sie **Blue Connect** frostsicher.

Inhalt der Box _____



Blue Connect Analysegerät: Wird zum Schutz des Fühlers während des Transports in der Aufbewahrungskappe gesichert ausgeliefert. Der Fühler wird zum Schutz in KCl (gesättigter Kaliumchloridlösung) aufbewahrt.

Aufbewahrungskappe: Dient zur Aufbewahrung des Fühlers beim Transport oder einer längeren Lagerung (z. B. im Winter), eingetaucht in Lösung.



Gebrauchskappe: Muss grundsätzlich angebracht werden, bevor das Gerät ins Wasser eingesetzt wird. So sind die Sensoren vor Beschädigung geschützt.



Band: Zur Befestigung des Geräts.



Schnellstartanleitung: Unterstützt die Einrichtung des Geräts.

² Auf der Rückseite der Schnellstartanleitung und am Fuß der Kappe von **Blue Connect**.

Installation der App

1. Aktivieren Sie das Internet (WLAN oder LTE) und Bluetooth® an Ihrem Smartphone oder Tablet.

Hinweis: Bleiben Sie während der gesamten Aktivierung von **Blue Connect** in der Nähe Ihres Geräts.



2. Laden Sie die kostenlose App "**Blue Connect**" aus dem App Store® oder von Google Play™ herunter.



3. Lassen Sie Benachrichtigungen zu, damit Sie Warnhinweise erhalten können.

4. Melden Sie sich bei "**Blue Connect**" an:

- » über Facebook®.
- » über Twitter®.
- » mit Ihrer E-Mail-Adresse.

5. "Schwimmbecken anlegen": Geben Sie die Eigenschaften Ihres Beckens ein.
Hinweis: Sie können die Eigenschaften Ihres Beckens jederzeit unter "Einstellungen" » "Mein Pool" ändern.

Hinweis: Um ein zweites Schwimmbecken zur App hinzuzufügen, tippen Sie auf den Namen des aktiven Beckens und wählen Sie "+".

Die App ist in vier Hauptabschnitte eingeteilt³:



Dashboard: Zeigt den Status von **Blue Connect**, die Wassertemperatur, das lokale Wetter und die Qualität des Beckenwassers an.



Wertetabelle: Zeigt die von **Blue Connect** gemessenen genauen Werte, Trends und Idealwerte an.



Wartungshinweise: Gibt Hinweise, was zu tun ist, um eine gleichbleibend hohe Wasserqualität im Becken zu bewahren.



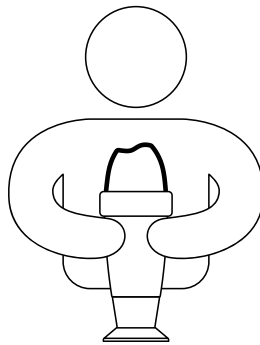
Einstellungen: Ermöglicht die Konfiguration der Beckeneinstellungen und **Blue**-Geräte und bietet Zugang zu Hilfe und technischem Support.

³ Die App wird ständig weiter verbessert und verändert.

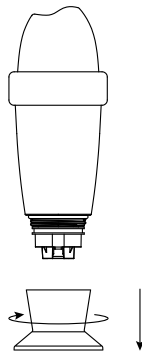
Installation von Blue Connect

A. Wie wird Blue Connect gestartet?

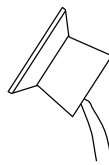
1. Tippen Sie in der App unter "Einstellungen" » "Mein **Blue Connect**" auf "**Blue Connect** hinzufügen" und geben Sie den Code (key) sowie die drei letzten Stellen der Seriennummer (SN) ein, die Sie auf der Rückseite der Schnellstartanleitung oder am Fuß der Aufbewahrungskappe des Geräts finden.
2. Um das Gerät starten zu können, muss es zunächst aktiviert werden. Die Oberseite des Geräts hat eine Wellenform. Drehen Sie das Wellental zu sich und schütteln Sie kräftig. Das Gerät bestätigt die Aktivierung durch zwei Pieptöne.



3. Mit "OK" schließen Sie die Aktivierung ab. Das Gerät wird nun mit Ihrem Konto verknüpft und es wird eine dauerhafte Verbindung zum Sigfox^{®4}-Netzwerk eingerichtet.
4. Stellen Sie **Blue Connect** aufrecht auf die Aufbewahrungskappe und schrauben Sie diese los.

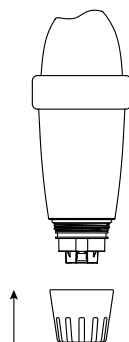


5. Leeren Sie die Aufbewahrungskappe, spülen Sie sie mit sauberem Wasser und verstauen Sie sie sicher.

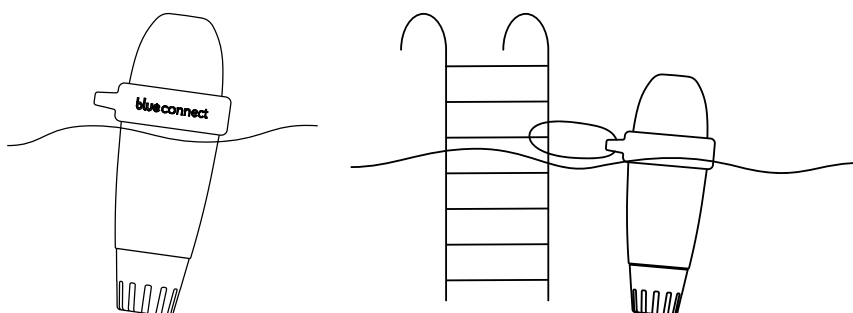


⁴ Sigfox[®] ist ein Telekommunikationsnetz mit Spezialisierung auf das Internet der Dinge (IoT). Das Mobilfunknetz verursacht keine Störungen privater WLAN-Netze. Unter www.sigfox.com/coverage können Sie überprüfen, ob Ihr Schwimmbecken vom Sigfox[®]-Netz abgedeckt wird. **Blue Connect** verwendet Sigfox[®] zur Datenübertragung an Ihr Smartphone.

6. Spülen Sie den Fühler mit sauberem Wasser, setzen Sie ihn in die Gebrauchskappe und diese in das schützende Gerätegehäuse ein.



7. Setzen Sie **Blue Connect** in das Becken ein:
- » Im **Becken**: Lassen Sie das Gerät frei im Becken schwimmen. Falls nötig, können Sie es mit dem Band und dem Gummiring im Becken fixieren.
 - » Im **Maschinenraum** mit **Blue Fit50**⁵ (siehe S. 17).



Hinweis: Achten Sie darauf, dass das Gerät senkrecht schwimmt und dass der obere Teil aus dem Wasser ragt, um eine fehlerlose Datenübertragung zu gewährleisten.

B. Hinweise

- » Lassen Sie den Sensor nicht der Luft ausgesetzt.
- » Das Sigfox[®]-Netzwerk stellt automatisch eine Verbindung her und sendet in regelmäßigen Abständen Messungen.
- » Nach dem ersten Einsetzen in das Becken kann es mehrere Stunden dauern, bis sich die Sensorparameter stabilisiert haben.
- » Bei fehlender Sigfox[®]-Netzabdeckung haben Sie zwei Möglichkeiten:
 - » Verwendung von **Blue Connect** über Bluetooth[®]. In diesem Fall müssen Sie tägliche Bluetooth[®]-Messungen durchführen, damit das Gerät seine Funktion als Analysegerät erfüllen kann.
 - » **Blue Extender**⁶ ermöglicht eine Verbindung von **Blue Connect** mit Ihrem WLAN-Netz. Weitere Informationen finden Sie auf unserer Website oder erhalten Sie bei Ihrem Fachhändler.

Am besten sehen Sie sich unser Installationsvideo für **Blue Connect** unter www.blueconnect.io an (unter "Hilfe").

⁵ **Blue Fit50** ist ein Zubehörteil für **Blue Connect**. Es ist im **Blue Connect Plus** Paket oder separat erhältlich.

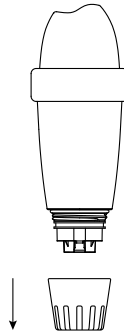
⁶ Separat erhältlich.

Wartung von Blue Connect

A. Kalibrierung

Hinweis: Neugeräte müssen nicht kalibriert werden. Eine Kalibrierung ist in der Regel ein bis zwei Mal pro Saison erforderlich. Verwenden Sie hierfür den speziellen Kalibriersatz für **Blue Connect** oder die Standard-Kalibrierlösungen Ihres Poolausstatters. Die Kalibrierprodukte sind nur zur einmaligen Verwendung vorgesehen. Sie dürfen nicht wiederverwendet werden.

1. Nehmen Sie das Gerät aus dem Wasser, ziehen Sie die Gebrauchskappe ab und spülen Sie den Fühler mit sauberem Wasser.



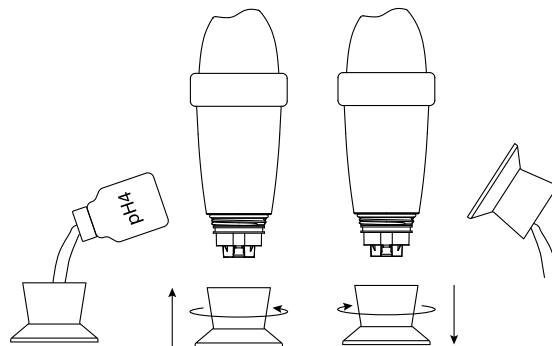
2. Spülen Sie die Aufbewahrungskappe mit klarem Wasser und wischen Sie sie aus.

3. Aktivieren Sie das Internet (WLAN oder LTE) und Bluetooth® an Ihrem Smartphone.
Hinweis: Bleiben Sie während der gesamten Kalibrierung in der Nähe Ihres Geräts.



4. Tippen Sie in der App unter "Einstellungen" » "Mein **Blue Connect**" » "Einstellungen des Fühlers" auf "**Blue Connect kalibrieren**" und befolgen Sie die Schritte in der App. Falls Sie die Wahl zwischen mehreren Produkten haben, wählen Sie die verwendete Kalibrierlösung aus.

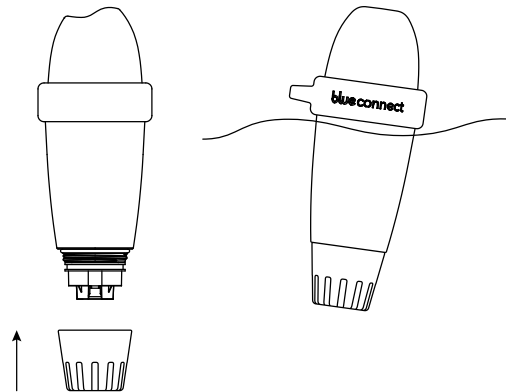
5. Füllen Sie die Kalibrierlösung in die Aufbewahrungskappe ein und schrauben Sie sie auf das Gerät auf. Danach drücken Sie auf "Weiter". Oben im Display wird der Fortschritt der Messung angezeigt. Schrauben Sie nach Abschluss der Messung die Aufbewahrungskappe ab und spülen Sie den Fühler. Leeren, spülen⁷ und wischen Sie die Aufbewahrungskappe aus.



⁷ Reinigen Sie nach Anwendung eines Kalibrierprodukts immer Fühler und Aufbewahrungskappe mit klarem Wasser, um ein Vermischen zu verhindern.

6. Überprüfen Sie die Kalibrierung.

7. Bringen Sie die Gebrauchskappe wieder an und setzen Sie **Blue Connect** wieder in das Becken.

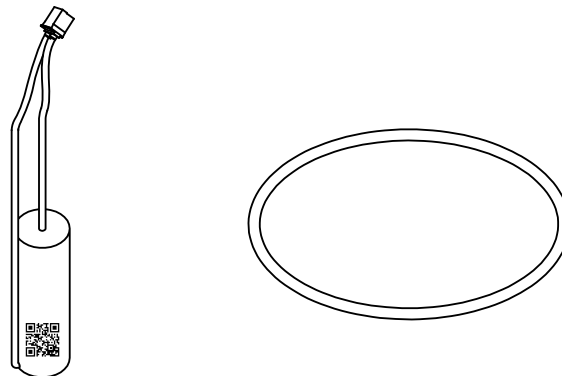


B. Batteriewechsel

Die Batterie muss etwa alle zwei Jahre gewechselt werden. Neue Batterien erhalten Sie bei Ihrem Fachhändler.

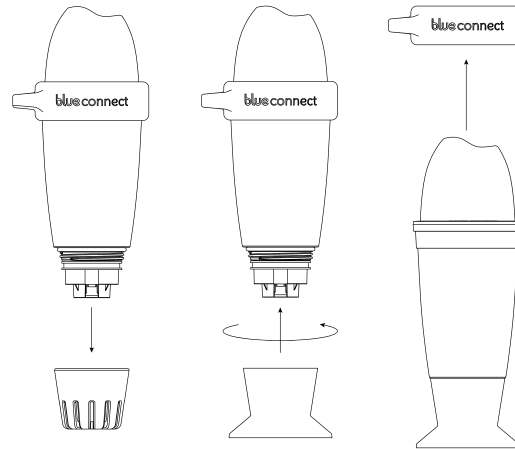
Hinweis: Für eine maximale Batterielebensdauer versetzen Sie **Blue Connect** in den Standby-Modus, nachdem Sie das Becken winterfest gemacht haben (siehe S. 14).

Inhalt der Box:

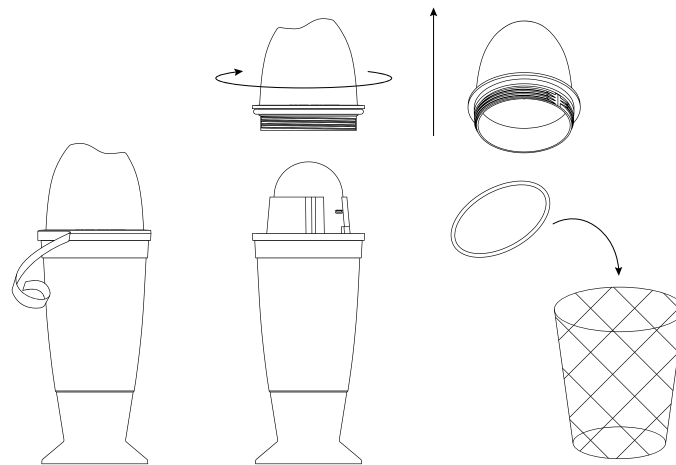


Installation:

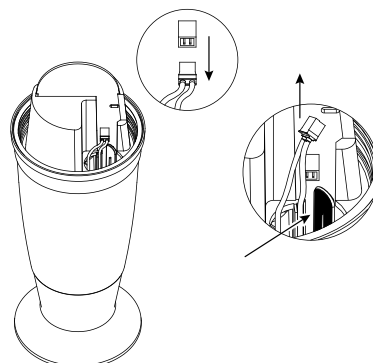
1. Tippen Sie unter "Einstellungen" » "Mein **Blue Connect**" auf „Batteriewechsel“.
2. Nehmen Sie das Gerät aus dem Wasser, ziehen Sie den Gummiring und die Gebrauchskappe ab und setzen Sie **Blue Connect** in die Aufbewahrungskappe.



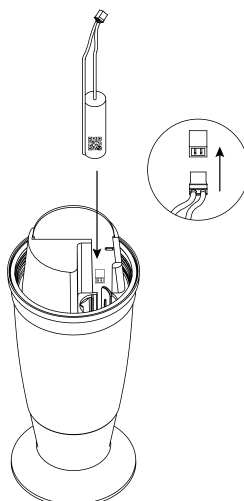
3. Wischen Sie das Gerät ab und führen Sie den Wechsel an einem trockenen, sauberen Ort aus.
4. Ziehen Sie das Klebeband ab und schrauben Sie den oberen Teil des Gerätes ab. Das Gerät hat ein Linksgewinde. Es wird im Uhrzeigersinn losgeschraubt. Entfernen und entsorgen Sie die Dichtung.



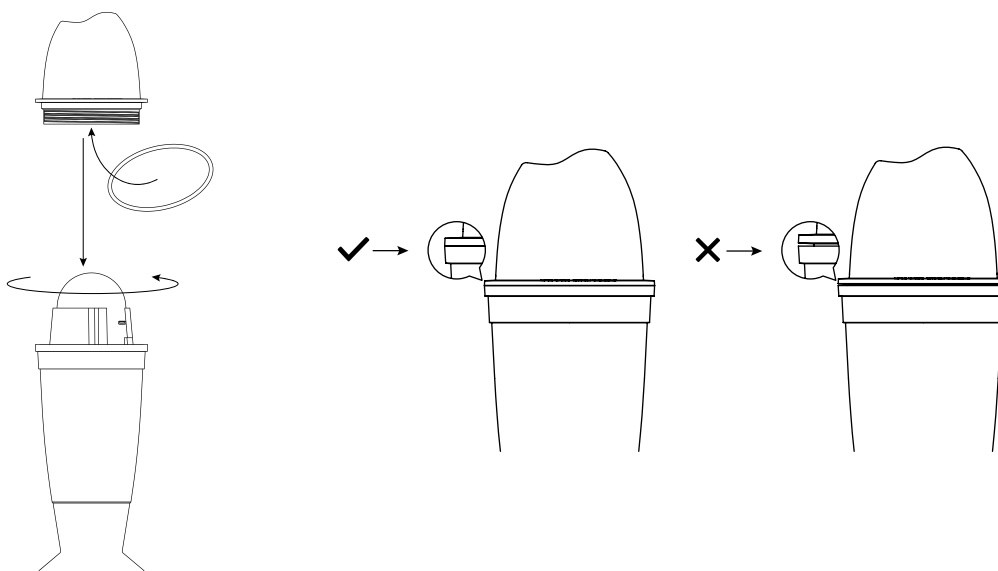
5. Lösen Sie den weißen Stecker durch Ziehen am rot-schwarzen Kabel. Die Batterie befindet sich am anderen Ende des Kabels. Drücken Sie auf die Kunststoffflasche, um die Batterie zu lösen, und ziehen Sie diese am Kabel heraus.



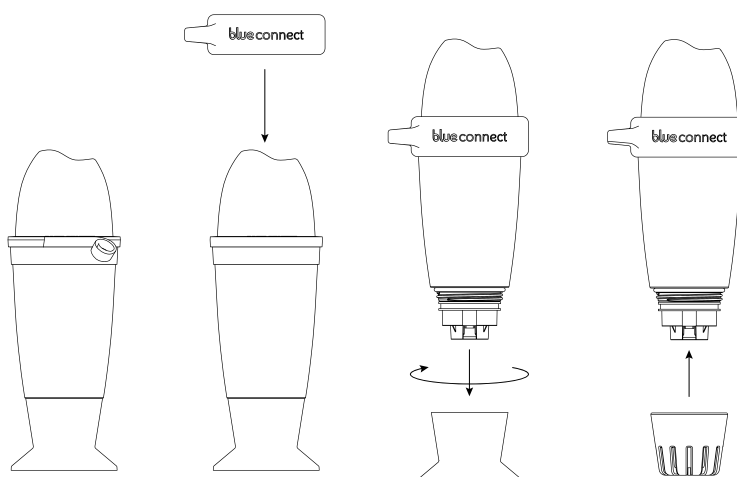
6. Legen Sie die neue Batterie in die Vertiefung ein und lassen Sie sie einrasten. Stecken Sie nun den Stecker ein.



7. Setzen Sie die zusammen mit der Batterie gelieferte neue Dichtung auf das Schraubgewinde am oberen Teil des Geräts auf. Schließen Sie den oberen Teil. Das Gerät hat ein Linksgewinde. Es wird gegen den Uhrzeigersinn zugeschraubt.



8. Ersetzen Sie den Ring. Danach bringen Sie die Gebrauchskappe an und setzen Sie **Blue Connect** wieder in das Becken.

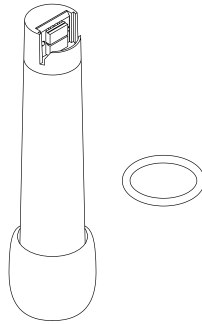


C. Fühlerwechsel

Der Fühler muss etwa alle zwei Jahre gewechselt werden⁸. Neue Fühler erhalten Sie bei Ihrem Fachhändler.

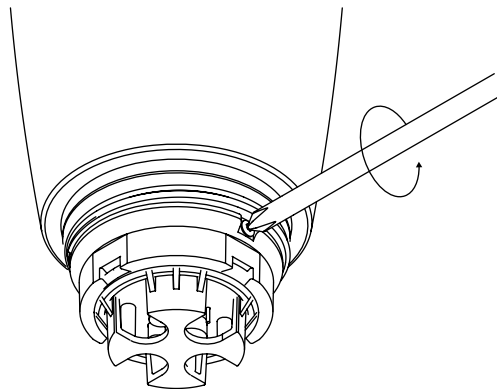
Hinweis: Um die maximale Lebensdauer des Fühlers zu gewährleisten, bewahren Sie ihn nach Möglichkeit immer in einer feuchten Umgebung auf. Wenn Sie den Fühler aus dem Wasser nehmen, schrauben Sie ihn sofort in die mit KCl (gesättigter Kaliumchloridlösung), pH4-Lösung oder notfalls unter fließendem Wasser mit Kochsalzzusatz auf gefüllte Aufbewahrungskappe.

Inhalt der Box:



Installation:

1. Tippen Sie in der App unter "Einstellungen" » "Mein **Blue Connect**" » "Einstellungen des Fühlers" auf "Fühlerwechsel".
2. Nehmen Sie **Blue Connect** aus dem Wasser, bringen Sie es an einen sauberen, trockenen Ort und nehmen Sie die Gebrauchskappe ab.
3. Wischen Sie Blue Connect mit einem sauberen, saugfähigen Tuch ab. Trocknen Sie dabei sorgfältig die Unterseite des Gerätes (dort, wo sich der Fühler befindet), ohne die Sensoren zu berühren.
4. Drehen Sie mit dem Schraubendreher die Schraube vom Rand der Mutter los.



⁸ Lassen Sie den Fühler nicht außerhalb des Wassers, ohne dass die Aufbewahrungskappe mit KCl (gesättigter Kaliumchloridlösung), pH4-Lösung oder notfalls Wasser mit Kochsalzzusatz gefüllt ist.

- 5.** Schrauben Sie die Mutter mithilfe des Tuchs ab. Wenn Sie Schwierigkeiten beim Lösen der Mutter haben, verwenden Sie eine Wasserpumpenzange und setzen Sie diese genau an dieser Stelle an (Abb. A).

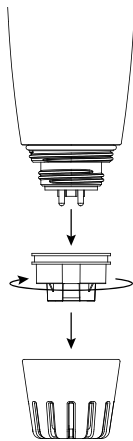
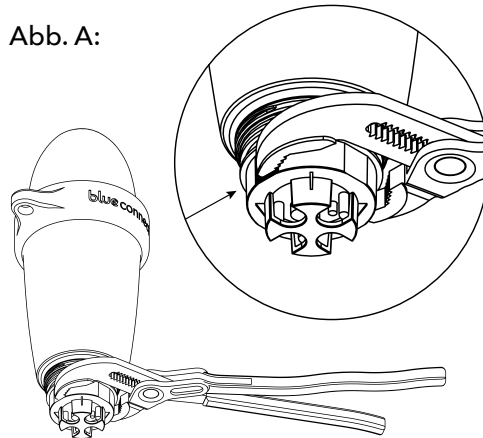
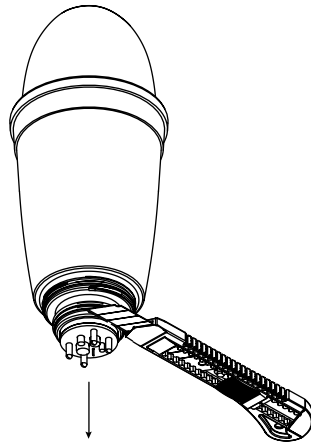


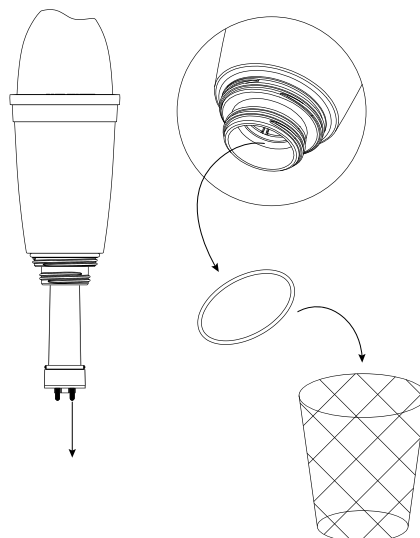
Abb. A:



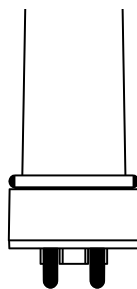
- 6.** Entriegeln Sie den Fühler mit einem Messer oder einer Klinge (oder dem Fingernagel).



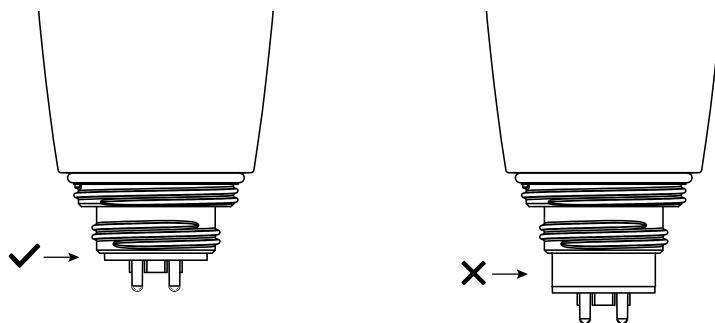
- 7.** Halten Sie Blue Connect aufrecht (die Oberseite des Gerätes nach oben und das Unterteil nach unten gerichtet) und nehmen Sie den Fühler heraus, so dass kein Restwasser in das Gerät eindringt. Entfernen und entsorgen Sie die Dichtung. Möglicherweise klebt sie innen am Gerät fest.



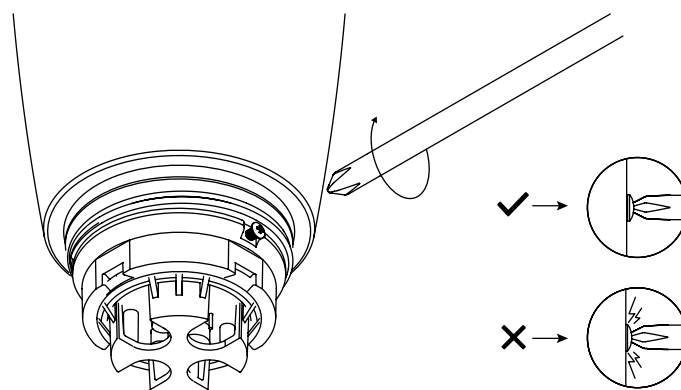
8. Wischen Sie mit dem Tuch eventuelles Restwasser von der Außen- und Innenseite der Geräteöffnung ab.
9. Scannen Sie den QR-Code des neuen Fühlers und nehmen Sie die Schutzkappe ab. Achten Sie darauf, den Fühler nicht fallen zu lassen, da das Element sehr empfindlich ist.
10. Wischen Sie falls nötig das schwarze Kunststoffgehäuse des neuen Fühlers ab. Es muss vollständig trocken sein.
Hinweis: Die Goldkontakte an der Oberseite des Fühlers müssen sauber (glänzend) und trocken sein. Falls nicht, reinigen Sie sie mit einem mit Reinigungsalkohol getränkten Wattestäbchen.
11. Setzen Sie die mit dem Austauschteil gelieferte neue Dichtung auf den neuen Fühler auf.



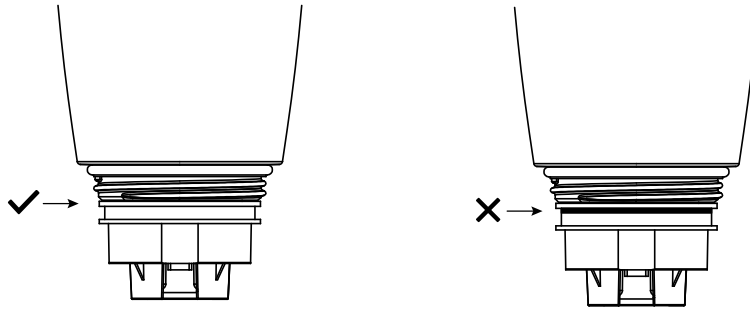
12. Setzen Sie den Fühler ein und drehen Sie ihn fest. Innerhalb von 15 Sekunden ertönen drei Pieptöne.



13. Schrauben Sie die Schraube mit dem Schraubendreher wieder am Rand der Mutter an (fest anziehen, aber ohne Gewalt).



- 14.** Schrauben Sie die Mutter fest auf das Gerät. Richtig anziehen können Sie sie mit Hilfe einer Wasserpumpenzange. Bringen Sie anschließend die Gebrauchskappe an und setzen Sie **Blue Connect** wieder in das Wasser.

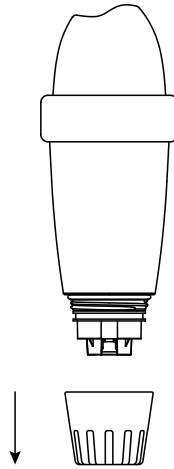


Hinweis: Nach dem ersten Einsetzen in das Becken kann es mehrere Stunden dauern, bis sich die Sensorparameter stabilisiert haben.

D. Versetzen von Blue Connect in den Standby-Modus für die Einlagerung/Winterlagerung

Winterlagerung:

- 1.** Nehmen Sie **Blue Connect** aus dem Wasser. Nehmen Sie die Gebrauchskappe ab.

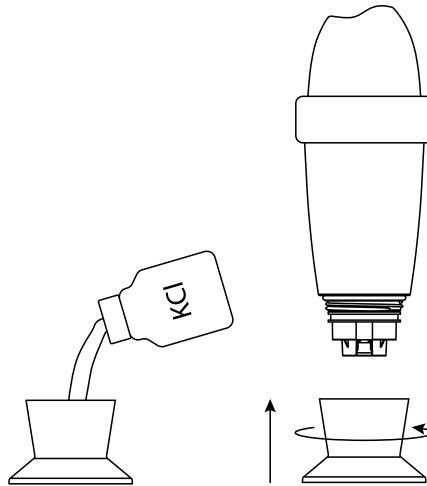


- 2.** Aktivieren Sie das Internet (WLAN oder LTE) und Bluetooth® an Ihrem Smartphone.
Hinweis: Bleiben Sie während des gesamten Vorgangs in der Nähe Ihres Geräts.



- 3.** Tippen Sie in der App unter "Einstellungen" » "Mein **Blue Connect**" auf "**Blue Connect** in den Standby-Modus versetzen".

- 4.** Spülen Sie die Aufbewahrungskappe mit klarem Wasser und wischen Sie sie aus. Füllen Sie KCl⁹ (gesättigte Kaliumchloridlösung) oder pH4-Lösung in die Aufbewahrungskappe ein und schrauben Sie diese fest.



- 5.** Überprüfen Sie, ob der Standby-Modus aktiviert ist, und bewahren Sie **Blue Connect** frostsicher auf.

Lagerung:

Falls Sie **Blue Connect** länger als eine Stunde aus dem Becken nehmen müssen, schrauben Sie das Gerät auf die mit KCl (gesättigter Kaliumchloridlösung), pH4-Lösung oder notfalls Wasser mit Kochsalzzusatz gefüllte Aufbewahrungskappe auf. Der Fühler darf niemals austrocknen.

E. Aktivierung von Blue Connect nach dem Winter

- 1.** Aktivieren Sie das Gerät unter "Einstellungen" » "Mein **Blue Connect**", tippen Sie auf "**Blue Connect** aktivieren".
- 2.** Siehe hierzu "**Installation von Blue Connect**" ab Punkt 2.

⁹ Das KCl in der Aufbewahrungskappe kann Salzverkrustungen an der Verbindungsstelle zum Gerätegehäuse verursachen, doch diese sind ungefährlich. Spülen Sie das Gerät einfach mit klarem Wasser.

Technische Daten

- » Abmessungen: 253 x 96 mm
- » Gewicht: 714 g
- » Schutzart: IPX8-Standard
- » Sensoren und Messungen:
 - pH-Wert: Messbereich: 0 bis 14
 - Genauigkeit: $\pm 0,1$
 - Auflösung: 0,1
 - Temperatur (Wasser): Messbereich: 5 bis 50 °C
 - Genauigkeit: $\pm 0,2$ °C
 - Auflösung: 0,1 °C
 - Redox/ORP (Aktivchlor): Messbereich: 0 bis 999 mV
 - Genauigkeit: ± 20 mV
 - Auflösung: 1 mV

 - Leitfähigkeit: Messbereich: 250 bis 15.000 $\mu\text{S}/\text{cm}$
 - Genauigkeit: ± 10 %
 - Auflösung: 1 $\mu\text{S}/\text{cm}$
- » Konnektivität: Sigfox®, Bluetooth Low Energy® (BLE)
- » Stromversorgung: 1 Lithiumzelle (Thionylchlorid)
- » Nennspannung: 3,6 V
- » Betriebssystem: iOS, Android™ (4.0 Bluetooth®, Android™ 4.3 und iOS 9.0)
- » Sprachen: Englisch, Französisch, Spanisch, Niederländisch, Deutsch, Italienisch, Portugiesisch, Tschechisch, Schwedisch, Katalanisch.
- » Kompatibilität nach Regionen: EU: 868 MHz
USA/Australien: 902 / 920 MHz

blue fit50

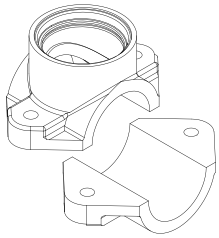
Einleitung

A. Überblick

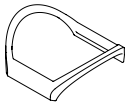
Blue Fit50 ist eine mit **Blue Connect** kompatible Anschlussschelle, mit der Sie **Blue Connect** im Technikraum installieren können.

Hinweis: **Blue Fit50** ist ein Zubehörteil für **Blue Connect**. Es ist im Paket **Blue Connect Plus** oder separat erhältlich.

B. Inhalt der Box



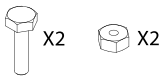
Schlauchselle 50 mm (EU) oder 60 mm (USA / AU).



Die Dichtung (bereits in die Schlauchselle integriert).



Eine Kappe.



2 Schrauben.

C. Gebrauchshinweise

- » Lassen Sie **Blue Connect** nicht am **Blue Fit50** angeschlossen, wenn sich kein Wasser in den Rohren befindet.
- » Bei Arbeiten an der Hydraulikanlage (Gefahr von Wasserschlägen) empfiehlt es sich, **Blue Connect** abzunehmen, um das Gerät nicht zu beschädigen.
- » Stellen Sie sicher, dass in Ihrer Anlage ein ausreichender Durchfluss herrscht, damit **Blue Connect** Messungen durchführen kann.
- » Stellen Sie **Blue Connect** immer senkrecht mit dem Fühler nach unten auf.
- » **Blue Fit50** kann nicht an Flexschläuchen befestigt werden.
- » **Blue Fit50** hält einem Maximaldruck von 3 bar stand.
- » **Blue Fit50** wird in Europa an einem 50-mm-Schlauch und in den USA und Australien an einem 60-mm-Schlauch befestigt.

Installation von Blue Fit50

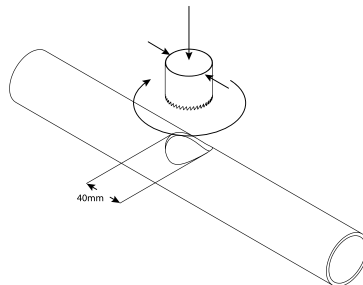
Hinweis: Bei Zweifeln wenden Sie sich an Ihren Schwimmbad-Fachhändler.

A. Finden Sie eine passende Einbauposition

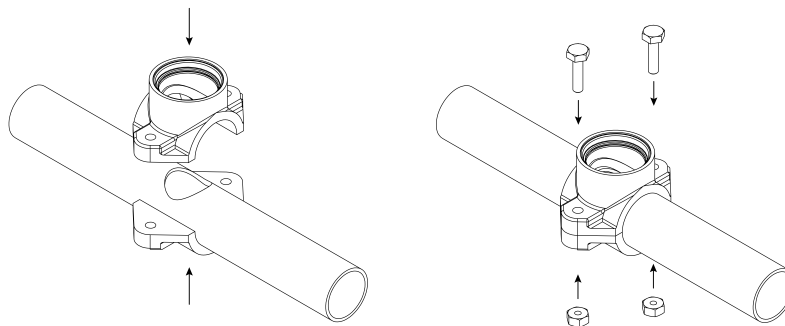
Bringen Sie **Blue Fit50** stets hinter dem Filter an (um eine Beschädigung der Fühler zu vermeiden), und vor Ihrem Produktinjektions- oder Elektrolyse-System (um die Messungen von **Blue Connect** nicht zu verändern).

B. Einbau

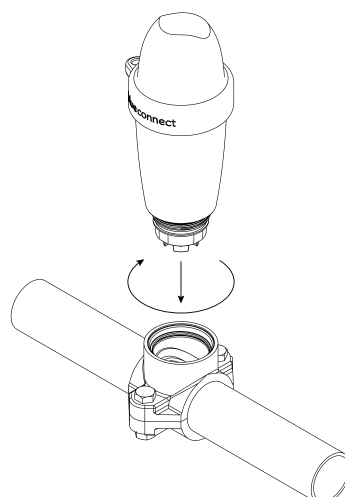
1. Schalten Sie das Filtersystem aus.
2. Bohren Sie ein Loch mit einem Durchmesser von 40 mm in den oberen Teil des Rohres.
Hinweis: **Blue Connect** muss senkrecht mit dem Fühler nach unten stehen.



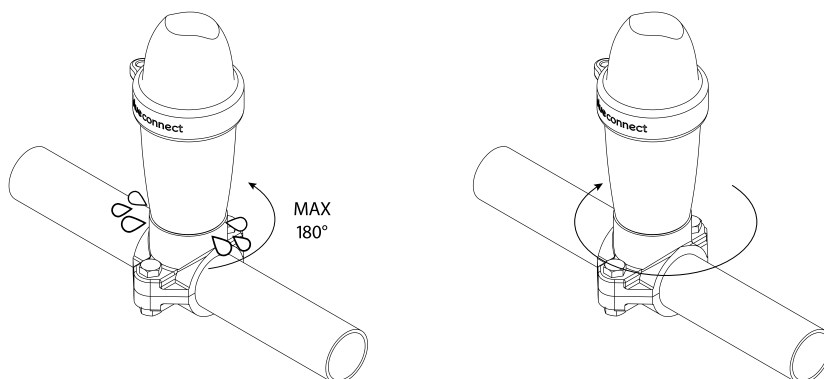
3. Bringen Sie die beiden Teile der Anschlusschelle auf beiden Seiten des Rohres so an, dass die Löcher übereinanderliegen, und schrauben Sie die Anschlusschelle fest.



4. Schrauben Sie **Blue Connect** fest.



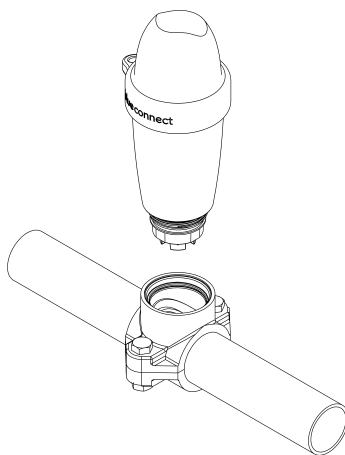
5. Schalten Sie das Filtersystem ein.
6. Lösen Sie **Blue Connect** leicht und langsam (maximal ½ Umdrehung), um ggf. vorhandene Luft abzulassen. Sobald Wasser austritt, bedeutet dies, dass sich keine Luft mehr in den Rohren befindet, so dass Sie **Blue Connect** festschrauben können.



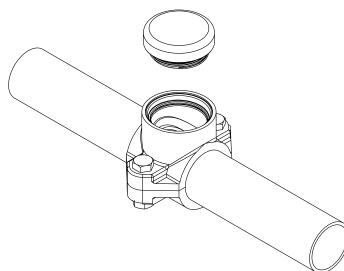
7. Aktivieren Sie in der App die Option **Blue Fit50** unter "Einstellungen" » "Mein **Blue Connect**" » "Position".

Wintereinlagerung

1. Schrauben Sie **Blue Connect** ab.



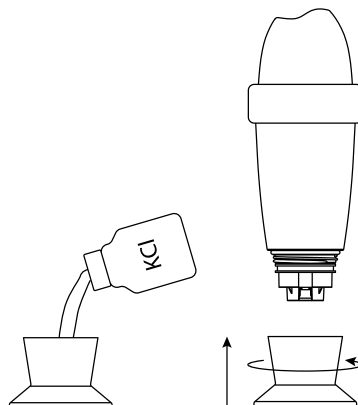
2. Verschließen Sie die Anschlusschelle mit der in der **Blue Fit50** Box mitgelieferten Kappe.



3. Aktivieren Sie das Internet (WLAN oder LTE) und Bluetooth® an Ihrem Smartphone.
- Hinweis:** Bleiben Sie während des gesamten Vorgangs in der Nähe Ihres Geräts.



4. Tippen Sie in der App unter "Einstellungen" » "Mein **Blue Connect**" auf "**Blue Connect** in den Standby-Modus versetzen".
5. Spülen Sie die Aufbewahrungskappe mit klarem Wasser und wischen Sie sie aus. Füllen Sie KCl¹⁰ (gesättigte Kaliumchloridlösung) oder pH4-Lösung in die Aufbewahrungskappe ein und schrauben Sie diese fest.



6. Überprüfen Sie, ob der Standby-Modus aktiviert ist, und bewahren Sie **Blue Connect** frostsicher auf.



Auf unserer Support-Website www.blueconnect.io (unter "Hilfe") finden Sie Hinweise zur Fernunterstützung.

Allgemeine Informationen

Garantien

- » Garantie auf Produkt und Fühler: 24 Monate.
- » Garantie auf Batterie: 12 Monate.

Riiot Labs übernimmt keinerlei Garantien bei einer Materialverschlechterung aufgrund von Manipulationen, insbesondere durch den Austausch von Fühler und Batterie, sowie für Schäden nach einem Austrocknen der Fühler, noch bei Verschleiß und normaler Alterung des Produkts, ebenso wenig wie bei Schäden durch Unfälle oder missbräuchliche Verwendung. Riiot Labs übernimmt keine Haftung bei Nichtbeachtung der Gebrauchshinweise.

Produktrecycling



Dieses Symbol zeigt an, dass das Produkt gemäß den geltenden Gesetzen und getrennt vom normalen Hausmüll entsorgt werden muss. Am Ende der Lebensdauer ist das Produkt an einer entsprechenden Recyclingstelle abzugeben. Durch Sortieren und Recyceln Ihres Produkts werden die natürlichen Rohstoffe geschont und alle Richtlinien im Hinblick auf Gesundheit und Umweltschutz erfüllt.

¹⁰ Das KCl in der Aufbewahrungskappe kann Salzverkrustungen an der Verbindungsstelle zum Gerätegehäuse verursachen, doch diese sind ungefährlich. Spülen Sie das Gerät einfach mit klarem Wasser.

Eingetragenes Warenzeichen

Riot Labs, **Blue Connect** und **Blue Fit50** sowie deren jeweilige Logos könnten Warenzeichen oder eingetragene Warenzeichen von Riot Labs S.A. sein.

Fluidra sowie dessen Logos sind Warenzeichen oder eingetragene Warenzeichen von Fluidra S.A.

Die Marke Bluetooth® und das zugehörige Logo sind eingetragene Warenzeichen von Bluetooth SIG, Inc. und werden von **Blue Connect** unter Lizenz verwendet.

AppStore® ist eine eingetragene Dienstleistungsmarke von Apple, Inc. in den USA und anderen Ländern.

iOS ist ein Warenzeichen oder eingetragenes Warenzeichen von Cisco in den USA und anderen Ländern und wird unter Lizenz verwendet.

Google Play und Android sind Marken von Google Inc.

Alle anderen in diesem Dokument genannten Warenzeichen sind urheberrechtlich geschützt und Eigentum ihrer jeweiligen Inhaber.

Konformitätserklärung



Eine Kopie der FCC, EG-Konformitätserklärung finden Sie auf unserer Website www.blueconnect.io/legal.

Weitere Informationen finden Sie auf unserer Webseite www.blueconnect.io (unter "Hilfe").

Declaration of conformity FCC

Changes or modifications not expressly approved by Riio Labs SA could void the user's authority to operate the equipment.

For devices with a serial number that begins with a 4.

FCC Part 15 compliance statement

This device complies with part 15 of the FCC Rules. Operation is subject to the following two conditions: (1) This device may not cause harmful interference, and (2) this device must accept any interference received, including interference that may cause undesired operation. NOTE: This equipment has been tested and found to comply with the limits for a Class B digital device, pursuant to part 15 of the FCC Rules. These limits are designed to provide reasonable protection against harmful interference in a residential installation. This equipment generates uses and can radiate radio frequency energy and, if not installed and used in accordance with the instruction, may cause harmful interference to radio communications. However, there is no guarantee that interference will not occur in a particular installation. If this equipment does cause harmful interference to radio or television reception which can be determined by turning the equipment off and on, the user is encouraged to try to correct interference by one or more of the following measures: - Reorient or relocate the receiving antenna. - Increase the separation between the equipment and receiver. - Connect the equipment into an outlet on circuit different from that to which the receiver is connected. - Consult the dealer or an experienced radio/TV technician for help.

Industry Canada Licence-Exempt Radio Apparatus

This device complies with Industry Canada licence-exempt RSS standard(s). Operation is subject to the following two conditions: (1) this device may not cause interference, and (2) this device must accept any interference, including interference that may cause undesired operation of the device.

Le présent appareil est conforme aux CNR d'Industrie Canada applicables aux appareils radio exempts de licence. L'exploitation est autorisée aux deux conditions suivantes : (1) l'appareil ne doit pas produire de brouillage, et (2) l'utilisateur de l'appareil doit accepter tout brouillage radioélectrique subi, même si le brouillage est susceptible d'en compromettre le fonctionnement.

Radio Frequency (RF) Exposure Compliance of Radiocommunication Apparatus

To satisfy FCC and IC RF Exposure requirements for mobile devices, a separation distance of 20 cm or more should be maintained between the antenna of this device and persons during operation. To ensure compliance, operation at closer than this distance is not recommended. This transmitter must not be co-located or operating in conjunction with any other antenna or transmitter.

Conformité à l'exposition aux champs RF des équipements radio

Pour satisfaire aux exigences FCC et IC concernant l'exposition aux champs RF pour les appareils mobile, une distance de séparation de 20 cm ou plus doit être maintenu entre l'antenne de ce dispositif et les personnes pendant le fonctionnement. Pour assurer la conformité, il est déconseillé d'utiliser cet équipement à une distance inférieure. Cet émetteur ne doit pas être co- situé ou fonctionner conjointement avec une autre antenne ou un autre émetteur.

Declaration of conformity CE



For devices with a serial number that begins with a 3.

Hereby, Riio Labs S.A. declares that the radio equipment type Blue Connect Smart Pool Analyser is in compliance with Directive 2014/53/EU. The full text of the EU declaration of conformity is available at the following internet address: www.blueconnect.io/legal

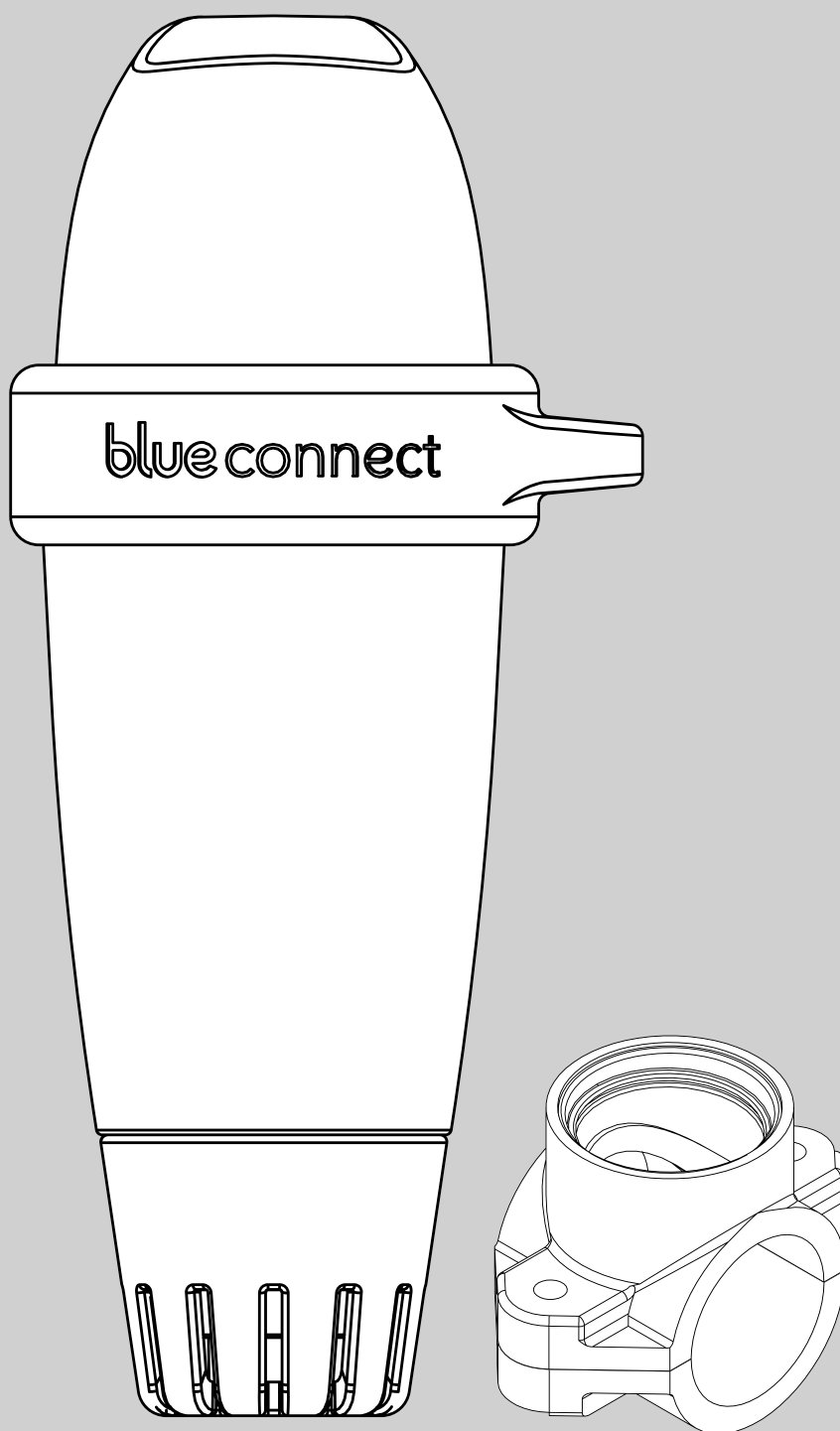
SIGFOX : Tx : 868.13MHz / 14dBm max Rx : 869.525MHz
Bluetooth LE : 2400-2483.5MHz / 10dBm max

Authorized countries codes:

ALB - AND - AUT - BEL - BIH - BLR - BUL - CYP - CZE -
DNK - EST - FIN - GRC - HNG - HOL - HRV - IRL - ISL -
LIE - LTU - LUX - LVA - MDA - MKD - MLT - MNE - NOR -
POL - POR - ROU - SRB - SUI - SVK - SVN - TUR

blue connect blue fit50

MANUALE D'USO



blue

Grazie per aver scelto **Blue Connect**.

www.blueconnect.io

Introduzione

A. Presentazione

Blue Connect calcola in maniera costante i parametri principali della vostra piscina (temperatura, pH, ORP/Redox, conducibilità) e fornisce informazioni sulla temperatura esterna e sul meteo, basandosi sulla posizione geografica. I risultati di queste analisi vengono comunicati tramite notifiche attraverso l'applicazione "**Blue Connect**" (disponibile per dispositivi smartphone e tablet, compatibile con Android™ e iOS). Nel caso in cui il dispositivo rilevasse che uno dei parametri non fosse corretto, si riceve un avviso che fornisce le istruzioni da seguire per regolare e stabilizzare il parametro errato, al fine di mantenere l'acqua sana ed equilibrata.

Blue Connect misura:

- » La temperatura dell'acqua (°C, °F): una temperatura troppo alta riduce l'efficacia del prodotto disinfettante e favorisce lo sviluppo di microrganismi.
- » pH (potenziale di idrogeno): questo valore misura il carattere acido o basico di un mezzo. Il pH contribuisce all'efficacia del disinfettante.
- » ORP/REDOX (misurazione del cloro attivo in mV): la misurazione di ORP si riporta in milli-volt (mV). La misurazione rilevata dalla sonda ORP di Blue è una tensione in milli-volt (mV), che rappresenta la natura più o meno ossidante dell'acqua della piscina.
- » Conducibilità¹ (µS): misurazione della concentrazione di sali inorganici nell'acqua grazie alla capacità di questi ultimi di condurre elettricità.

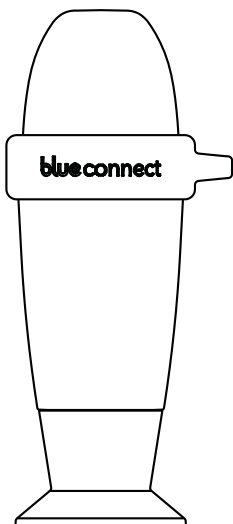
B. Precauzioni d'impiego

- » Utilizzare **Blue Connect** esclusivamente per l'analisi dell'acqua.
- » **Blue Connect** non è un giocattolo. Evitare urti e cadute in quanto potrebbe danneggiarsi.
- » Mantenere **Blue Connect** fuori dalla portata dei bambini durante il trattamento (es. taratura e stand-by) in quanto si prevede l'uso di prodotti chimici. Conservare i prodotti di manutenzione al di fuori della portata dei bambini.
- » Non aprire la parte superiore del dispositivo (eccetto durante la sostituzione della batteria). Seguire attentamente le istruzioni per la sostituzione della batteria. I danni causati dai liquidi non rientrano in garanzia.
- » Non aprire la parte inferiore del dispositivo che contiene la sonda (eccetto per la sostituzione della sonda). Seguire attentamente le istruzioni per la sostituzione della sonda. I danni causati dai liquidi non rientrano in garanzia.
- » Assicurarsi di non lasciare la sonda fuori dall'acqua senza il tappo per lo stoccaggio con al suo interno KCl (cloruro di potassio saturo), pH4 o, come ultimo espediente, acqua corrente con una buona dose di sale da cucina.

¹ Per le piscine salate, la salinità (più precisamente il contenuto totale di sale) si misura sulla base della conduttività. La salinità misurata da **Blue** è espressa in grammi per litro (g/l) di TDS (solidi disciolti totali). Si tratta di una stima della quantità totale di specie dissolte nella piscina, basandosi sul presupposto che la specie principale è il cloruro di sodio (NaCl o sale da cucina). Il cloruro di sodio aumenta la conduttività dell'acqua della piscina a seconda della sua concentrazione. Una stima del livello di cloruro di sodio basata sulla conduttività si discosterà maggiormente in presenza di altri sali sconosciuti in piscina. Questa deviazione si può verificare tramite strisce di rilevazione colorimetriche specifiche per il cloruro di sodio.

- » Non utilizzare acqua demineralizzata all'interno del tappo per lo stoccaggio.
- » Assicurarsi che la parte superiore dell'unità resti fuori dall'acqua per garantire il corretto funzionamento del sistema di comunicazione di **Blue Connect**.
- » Non lasciare **Blue Connect** in acqua con temperatura inferiore a 5° C o superiore ai 50° C.
- » Conservare il numero di serie² e il codice (key) di **Blue Connect**.
- » Conservare **Blue Connect** al riparo dal gelo.

Contenuto della confezione _____



L'analizzatore **Blue Connect**: viene consegnato con il tappo per lo stoccaggio inserito per proteggere la sonda durante il trasporto. La sonda è immersa in KCl (cloruro di potassio saturo) che ne garantisce la protezione.

Il tappo per lo stoccaggio: viene usato per trasportare il dispositivo fuori dall'acqua o per mantenere i sensori immersi durante un periodo prolungato d'inutilizzo (ad esempio nella stagione invernale).



Il coperchio: deve essere sempre posizionato sul dispositivo quando questo è in acqua. Protegge i sensori da eventuali urti.



Il cordino: consente di appendere o legare il dispositivo ad un punto di ancoraggio.



La guida rapida: utile per l'accensione del dispositivo.

² Informazione presente sulla guida rapida e sul tappo del dispositivo.

Installazione dell'applicazione

1. Attivare la connessione internet (Wi-Fi o 4G) e la funzione Bluetooth® sullo smartphone o sul tablet.

NOTA: tenere a portata di mano il dispositivo **Blue Connect** durante il processo di attivazione.



2. Scaricare l'applicazione gratuita "**Blue Connect**" attraverso l'App Store® e Google Play™.



3. Autorizzare le notifiche per consentire la ricezione degli avvisi.

4. Connettersi a "**Blue Connect**":

- » tramite Facebook®.
- » tramite Twitter®.
- » tramite il vostro indirizzo e-mail.

5. Create la vostra piscina: inserire i dati con le caratteristiche della vostra piscina.

NOTA: è possibile modificare in qualsiasi momento i dati relativi alla propria piscina cliccando su "Impostazioni" » "La mia piscina".

NOTA: per aggiungere un'altra piscina nell'App è sufficiente cliccare sul nome della piscina attiva e selezionare "+".

L'applicazione è suddivisa in 4 sezioni principali³:



Pannello di controllo: informa sullo stato di **Blue Connect**, la temperatura dell'acqua, il meteo locale e la qualità dell'acqua della vostra piscina.



Tabella valori: informa con precisione sui valori rilevati da **Blue Connect**, sull'andamento e sui valori ideali.



Guida per la manutenzione: consiglia circa le operazioni da eseguire per mantenere l'ottimale qualità dell'acqua.



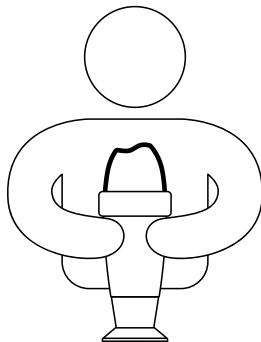
Impostazioni: consente di configurare le impostazioni per la piscina e il dispositivo **Blue** e di avere accesso all'assistenza e al supporto tecnico.

³ L'applicazione viene aggiornata e migliorata costantemente.

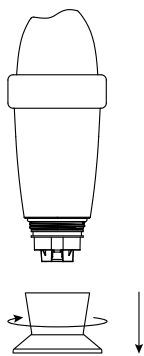
Installazione di Blue Connect

A. Come avviare Blue Connect ?

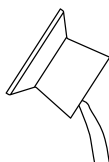
1. Nell'applicazione, in "Impostazioni" » "Il mio **Blue Connect**", cliccare su "Aggiungere un **Blue Connect**" ed inserire il codice (key) e le ultime 3 cifre del numero di serie (SN) che si trovano sul retro del manuale e sul tappo per lo stoccaggio del dispositivo.
2. Per avviare il dispositivo è sufficiente attivarlo. La sommità ha la forma di un'onda. Posizionare l'incavo dell'onda verso sé e scuotere il dispositivo con un colpo deciso. Verranno emessi due segnali acustici: significa che l'operazione è stata eseguita con successo.



3. Cliccare su "Ok" per ultimare l'attivazione. Il dispositivo è ora collegato al vostro account e, in modo permanente, alla rete Sigfox®⁴.
4. Collocare **Blue Connect** in posizione verticale sul tappo per lo stoccaggio e svitarlo.

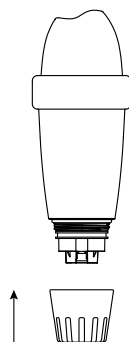


5. Svotare il tappo per lo stoccaggio, risciacquarlo con acqua pulita e conservarlo.

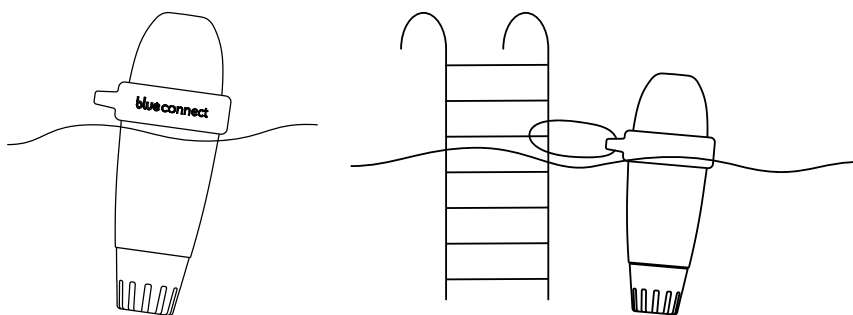


⁴ Sigfox® è una rete di telecomunicazioni specializzata nell'Internet degli Oggetti (Internet of Things, IoT). È una rete cellulare che non interferisce con la rete Wi-Fi domestica. E' possibile verificare che la propria piscina sia coperta dalla rete Sigfox® tramite mappa online aggiornata in tempo reale su: www.sigfox.com/coverage. **Blue Connect** usa Sigfox® per trasferire i dati sul vostro smartphone.

6. Risciacquare con acqua pulita la sonda e posizionare il coperchio sul fondo del dispositivo in modo da proteggere la sonda.



7. Introdurre **Blue Connect** dentro la piscina:
- » Nella **piscina**: è possibile lasciarlo galleggiare o ancorarlo, se necessario, fissandolo attraverso il cordino o l'anello di gomma.
 - » Nel **locale tecnico**: tramite il **Blue Fit50**⁵ (Cfr p.17).



NOTA: Assicurarsi che il dispositivo sia in posizione verticale e che la parte superiore resti fuori dall'acqua per garantire una corretta comunicazione dei dati.

B. Osservazioni

- » Non lasciare la sonda all'aria aperta.
- » La rete Sigfox® si collega automaticamente e invia le misurazioni a intervalli regolari.
- » La sonda potrebbe impiegare qualche ora per stabilizzare i parametri dopo la prima immersione nella piscina.
- » In caso di assenza di copertura Sigfox® ci sono due alternative:
 - » **Blue Connect** funziona tramite Bluetooth®. In questo caso è necessario effettuare una o più misurazioni giornalmente affinché il dispositivo possa analizzare i dati.
 - » **Blue Extender**⁶ consente a **Blue Connect** di collegarsi via Wi-Fi. Per ulteriori informazioni consultate il nostro sito web o contattate il rivenditore.

Consigliamo di guardare il nostro video per l'avvio di **Blue Connect** su www.blueconnect.io (assistenza).

⁵ **Blue Fit50** è un accessorio di **Blue Connect**. E' disponibile all'interno del pacchetto **Blue Connect Plus** oppure viene venduto separatamente.

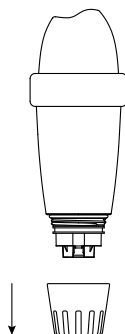
⁶ Venduto separatamente.

Manutenzione di Blue Connect

A. Taratura

NOTA: Non è necessario tarare il dispositivo alla sua ricezione. In generale è necessario calibrare una o due volte a stagione. Utilizzare il kit di calibrazione appositamente progettato per **Blue Connect** o le soluzioni di calibrazione standard disponibili presso fornitori per piscine. I prodotti di calibrazione sono solo per uso singolo. Non usarli mai due volte.

1. Rimuovere il dispositivo dall'acqua e rimuovere il coperchio posizionato alla base. Risciacquare la sonda con acqua pulita.



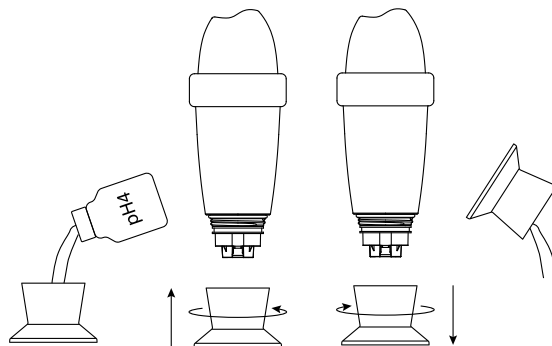
2. Sciacquare il coperchio con acqua pulita e asciugarlo.

3. Attivare internet (Wi-Fi o 4G) e il Bluetooth® sul vostro smartphone. **NOTA:** tenere a portata di mano il dispositivo durante il processo di taratura.



4. Nell'app, su "Impostazioni" » "Il mio **Blue Connect**" » "Parametro della sonda" cliccare su "Taratura di **Blue Connect**" e seguire i passaggi nell'app. Se è possibile scegliere tra più prodotti, selezionare la soluzione di calibrazione che si utilizzerà.

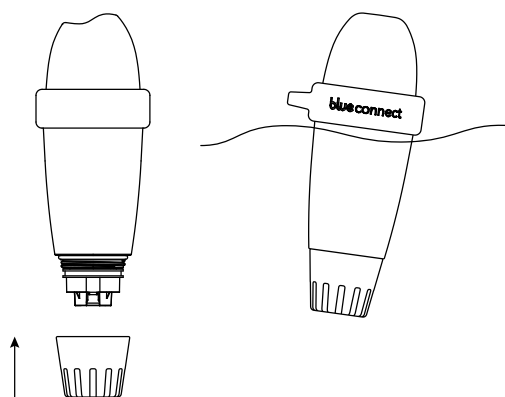
5. Immettere una soluzione di calibrazione nel tappo per lo stoccaggio e avvitarlo sul dispositivo, quindi premere "seguente". Nella parte superiore dello schermo si visualizzerà il progresso della misurazione. Dopo aver completato la misurazione, svitare il tappo per lo stoccaggio e risciacquare la sonda. Svuotare il tappo, risciacquare⁷ e asciugare.



⁷ Pulire sempre la sonda e il tappo per lo stoccaggio con acqua pulita dopo l'utilizzo di prodotti di taratura per evitare mix accidentali di sostanze.

6. Confermare la taratura.

7. Inserire ora il coperchio e posizionare **Blue Connect** dentro la piscina.

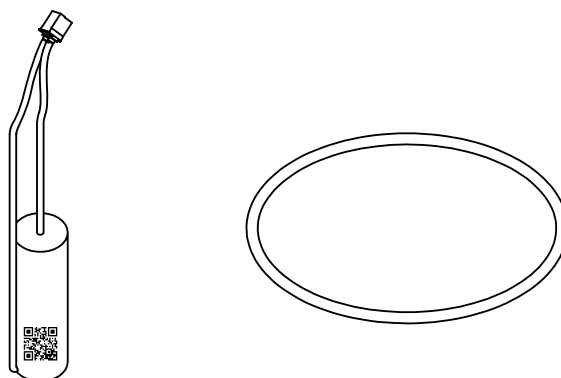


B. Sostituzione della batteria

La sostituzione della batteria avviene ogni due anni circa. Per l'acquisto, contattare il rivenditore.

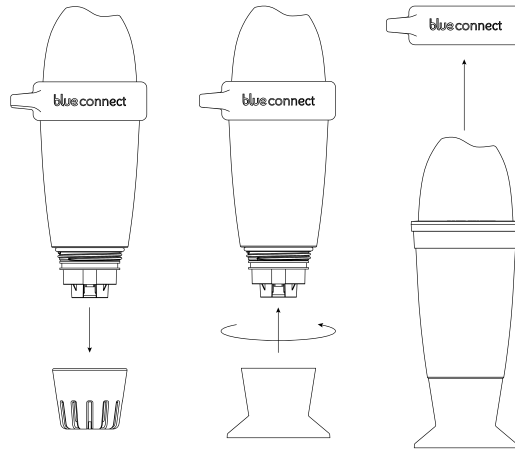
NOTA: per garantire la massima durata della batteria, mettere **Blue Connect** in modalità stand-by nel periodo di non utilizzo della piscina (ad es. durante l'inverno) (Cfr p.14).

Contenuto della confezione:

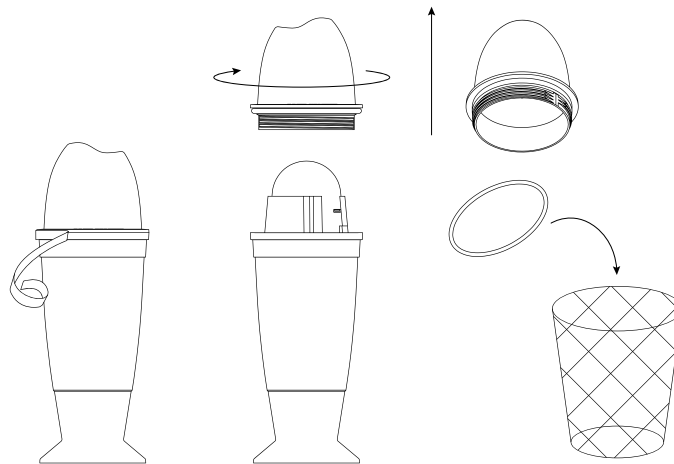


Installazione:

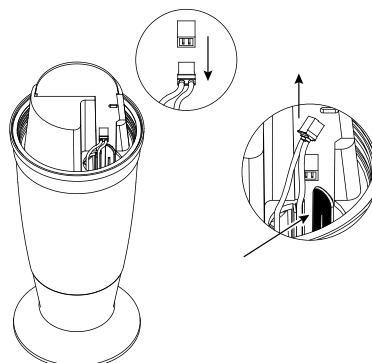
1. In "Impostazioni" » "Il mio **Blue Connect**", cliccare su "Sostituzione batteria".
2. Togliere il dispositivo dall'acqua, rimuovere l'anello di gomma ed il coperchio e posizionare **Blue Connect** sul tappo per lo stoccaggio.



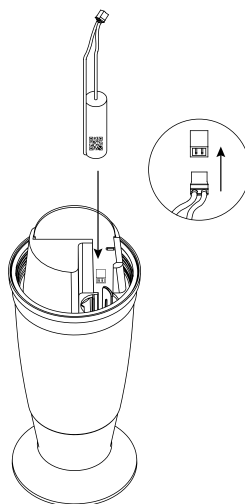
3. Asciugare **Blue Connect** ed eseguire le prossime procedure in un luogo pulito e asciutto.
4. Rimuovere il nastro adesivo e svitare la parte superiore del dispositivo. L'avvitatura è a sinistra, quindi svitare in senso orario. Rimuovere il sigillo e gettarlo via.



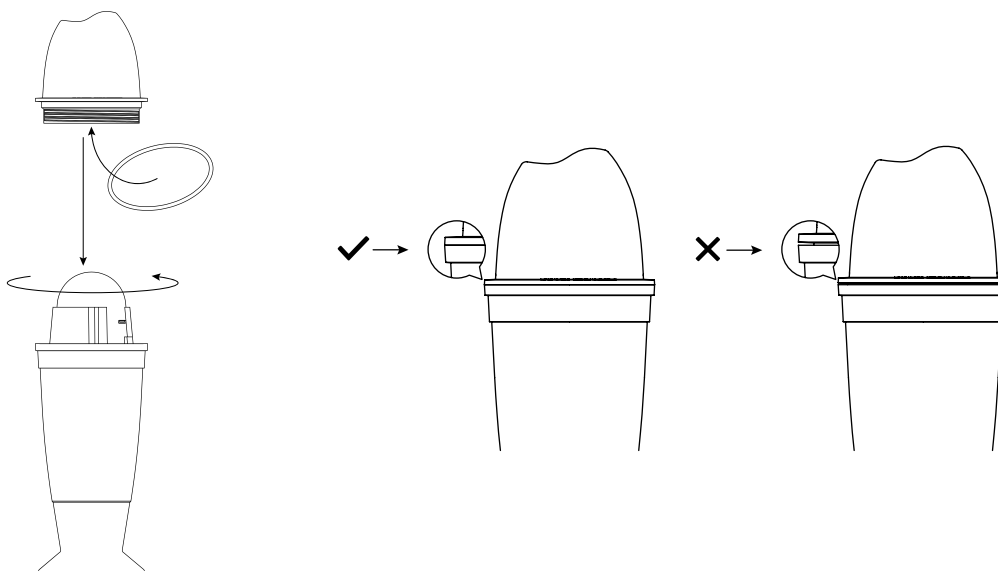
5. Scollegare il connettore bianco tirando il cavetto rosso e nero. La batteria è ubicata all'altra estremità del cavetto. Premere l'asticella di plastica per rilasciare la batteria ed estrarla tirando il cavo.



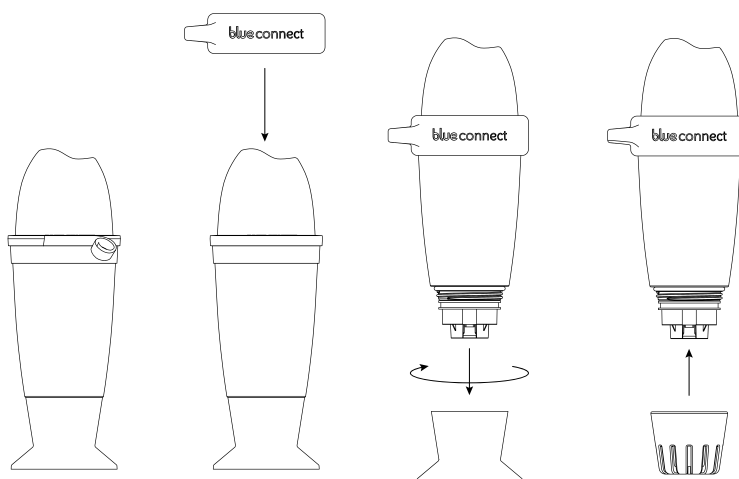
6. Posizionare la nuova batteria nella parte inferiore del vano fino a bloccarla e, successivamente, collegare il connettore.



7. Posizionare la nuova guarnizione fornita con la batteria sulla filettatura, nella parte superiore del dispositivo. Avvitare in senso antiorario per chiudere.



8. Riposizionare l'anello di gomma. Posizionare poi il coperchio ed inserire nuovamente **Blue Connect** nell'acqua.

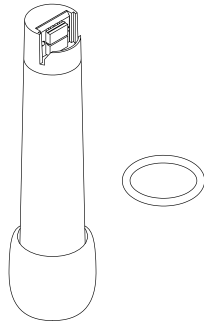


C. Sostituzione della sonda

La sostituzione della sonda avviene ogni due anni circa⁸. Per l'acquisto, contattare il rivenditore.

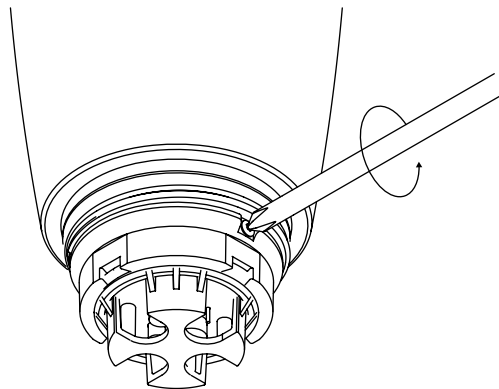
NOTA: per garantire la massima durata della sonda, conservarla quanto più possibile in un ambiente umido. Quando si rimuove il dispositivo dall'acqua, è necessario avvitare al tappo al cui interno sia inserito KCl (cloruro di potassio saturo), pH4 o, come ultimo espediente, acqua corrente con una buona dose di sale da cucina.

Contenuto della confezione:



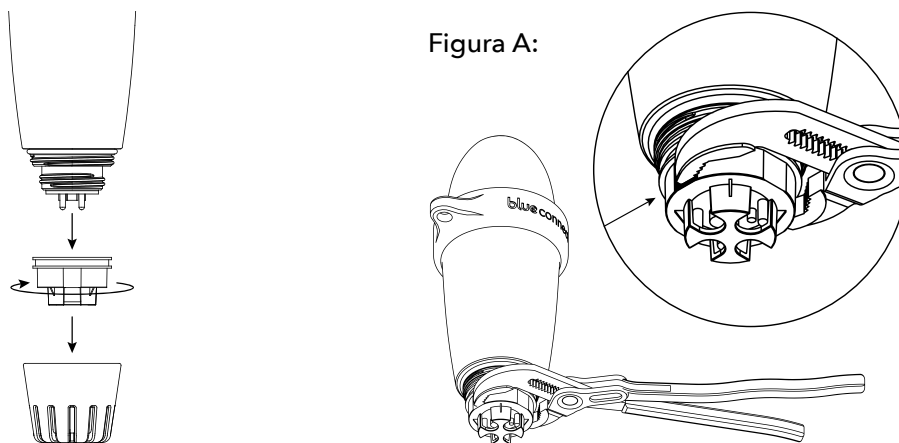
Installazione:

1. Nell'app, in "Impostazioni" » "Il mio **Blue Connect**" » "Parametro della sonda", cliccare su "Sostituzione sonda".
2. Rimuovere **Blue Connect** dall'acqua, rimuovere il coperchio e dare inizio alla procedura in un ambiente asciutto e pulito.
3. Asciugare con cura **Blue Connect** con un panno pulito e assorbente, prestando maggiore attenzione alla parte inferiore del dispositivo (dove si trova la sonda) per asciugare senza toccare i sensori.
4. Con l'aiuto di un cacciavite, svitare la vite situata alla base del dado.

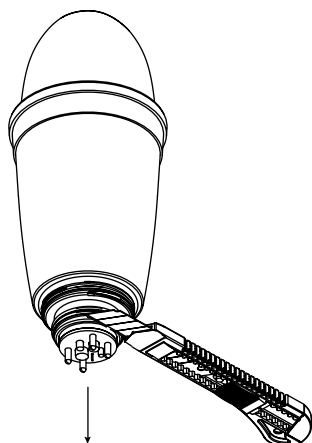


⁸ Assicurarsi di non lasciare la sonda fuori dall'acqua senza il tappo per lo stoccaggio con al suo interno KCl (cloruro di potassio saturo), pH4 o, come ultimo espediente, acqua corrente con una buona dose di sale da cucina.

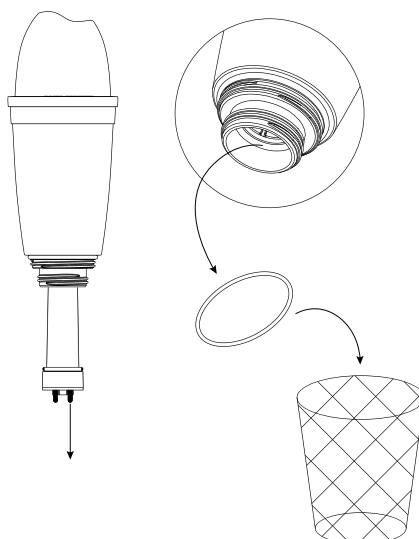
5. Svitare il dado usando il panno. Qualora ci fossero problemi nello svitare il dado, utilizzare una pinza o chiave a becco posizionandola come raffigurato (Figura A).



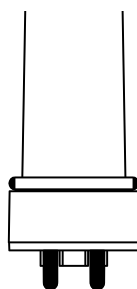
6. Utilizzare un coltello o un taglierino per sbloccare la sonda.



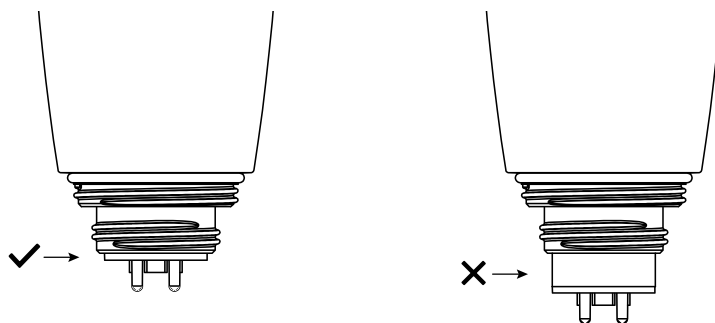
7. Rimuovere la sonda assicurandosi di mantenere **Blue Connect** in posizione verticale (con la parte superiore dell'unità sopra e quella inferiore in basso) in modo che l'acqua residua non entri nel prodotto. Assicurarsi di rimuovere il sigillo e gettarlo via. Potrebbe essere bloccato all'interno.



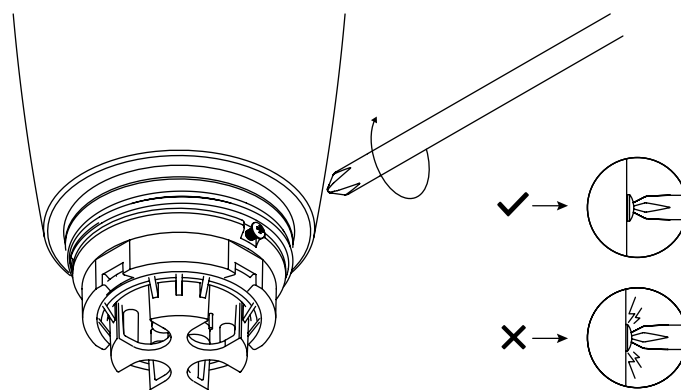
- 8.** Rimuovere l'acqua residua dall'apertura del **Blue Connect** e all'interno del foro con il panno.
- 9.** Prendere la nuova sonda, scansionare il codice QR e rimuovere il cappuccio protettivo. Si raccomanda di usare la massima cautela e di prestare attenzione a non far cadere la sonda, in quanto si tratta di elemento molto fragile.
- 10.** Se necessario, asciugare il corpo in plastica nera della nuova sonda. Deve essere perfettamente asciutto.
NOTA: assicurarsi che i contatti dorati sulla parte superiore della sonda siano puliti (brillanti) e asciutti. In caso contrario, pulirli con un bastoncino di cotone imbevuto di alcol per uso domestico.
- 11.** Posizionare la nuova guarnizione (fornita con la ricarica) sulla nuova sonda.



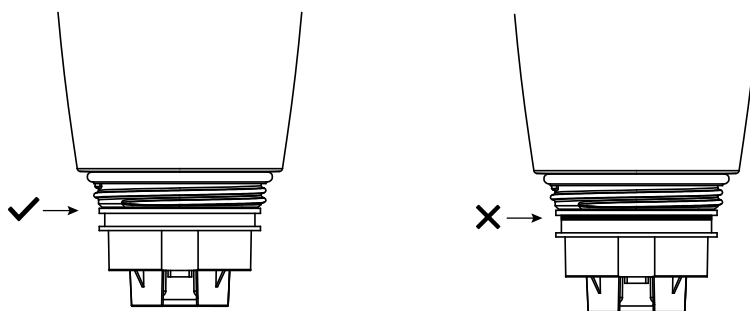
- 12.** Inserire la sonda e avvitarla finché non risulti correttamente posizionata. Entro 15 secondi dall'operazione verranno emessi 3 segnali acustici.



- 13.** Utilizzare un cacciavite per avvitare la vite (del tutto ma senza forzare) alla base del dado.



- 14.** Avvitare completamente il dado sull'unità. Non esitare a usare un panno per chiuderlo correttamente senza ferirsi la mano. Posizionare poi il coperchio ed inserire nuovamente **Blue Connect** nell'acqua.

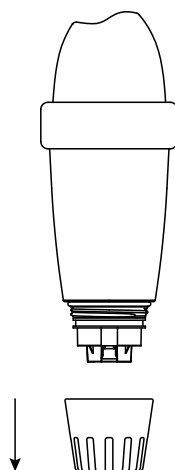


NOTA: La sonda potrebbe impiegare qualche ora per stabilizzare i parametri dopo la prima immersione nella piscina.

D. Mettere Blue Connect in modalità stand-by/stoccaggio

Stand-by:

- 1.** Estrarre il dispositivo dall'acqua. Rimuovere il coperchio dalla base.

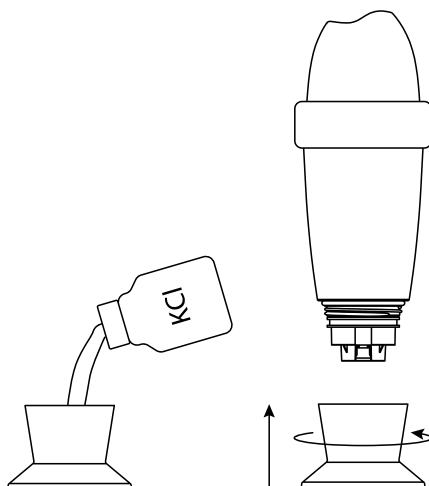


- 2.** Attivare internet (Wi-Fi o 4G) ed il Bluetooth® sul vostro smartphone.
NOTA: tenere a portata di mano il dispositivo **Blue Connect** durante il processo di attivazione.



- 3.** Nell'App, su "Impostazioni" » "Il mio **Blue Connect**", cliccare su "Mettere **Blue Connect** in standby".

4. Lavare il tappo per lo stoccaggio e asciugarlo. Inserire KCl⁹ (cloruro di potassio saturo) o pH4 nel tappo e avvitarlo.



5. Confermare la modalità stand-by e conservare **Blue Connect** al riparo dal gelo.

Stoccaggio (periodo di inutilizzo prolungato):

Qualora fosse necessario rimuovere **Blue Connect** dall'acqua, avvitare il tappo di stoccaggio con all'interno KCl (cloruro di potassio saturo), pH4 o, come ultimo espediente, acqua corrente con una buona dose di sale da cucina poiché la sonda non deve restare asciutta.

E. Attivare Blue Connect dopo lo stoccaggio

1. In "Impostazioni" » "Il mio **Blue Connect**", cliccare su "Attivare **Blue Connect**".
2. Consultare la sezione "**Installazione di Blue Connect**", a partire dal punto 2.

⁹ Il KCl presente nel tappo per lo stoccaggio potrebbe causare la formazione di sale agglomerato nel punto di giunzione con il corpo del dispositivo: questo processo non è pericoloso. Semplicemente risciacquare con acqua pulita.

Caratteristiche tecniche

- » Dimensioni: 253 mm x 96 mm
- » Peso: 714 g
- » Grado di protezione: Norma IPx8
- » Sensori e misurazioni:
 - pH: Ambiente di misurazione: 0 a 14
 - Precisione: $\pm 0,1$
 - Risoluzione: 0,1
 - Temperatura (acqua): Ambiente di misurazione: 5 a 50°C
 - Precisione: $\pm 0,2^{\circ}\text{C}$
 - Risoluzione: 0,1°C
 - Redox/ORP (cloro attivo): Ambiente di misurazione: 0 a 999 mV
 - Precisione: $\pm 20\text{mV}$
 - Risoluzione: 1mV

 - Conducibilità: Ambiente di misurazione: 250 a 15.000 $\mu\text{S}/\text{cm}$
 - Precisione: $\pm 10\%$
 - Risoluzione: 1uS/cm
- » Connessione supportata: Sigfox®, Bluetooth Low Energy® (BLE)
- » Alimentazione: 1 batteria al litio (cloruro di tionile)
- » Voltaggio nominale: 3,6 V
- » Sistema operativo: iOS, Android™ (4.0 Bluetooth®, Android™ 4.3 e iOS 9.0)
- » Lingue: inglese, francese, spagnolo, olandese, tedesco, italiano, portoghese, ceco, svedese, catalano.
- » Compatibilità territoriale: EU : 868 MHZ
US / AU : 902 / 920 MHZ

blue fit50

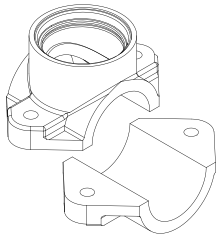
Introduzione

A. Presentazione

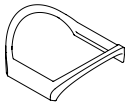
Il **Blue Fit50** è un collare di presa in carica compatibile con il dispositivo **Blue Connect**. Consente l'installazione di **Blue Connect** all'interno del locale tecnico (sala macchine).

Nota: **Blue Fit50** è un accessorio di **Blue Connect**. E' disponibile all'interno del pacchetto **Blue Connect Plus** oppure viene venduto separatamente.

B. Contenuto della confezione



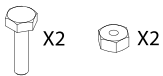
Collare di presa in carica 50mm (UE) o 60mm (US/AU).



La guarnizione (già posizionata all'interno del collare di presa in carica).



Un coperchio.



2 bulloni.

C. Precauzioni d'uso

- » Non lasciare **Blue Connect** inserito nel **Blue Fit50** quando non c'è acqua nelle tubature.
- » In caso di manutenzione o lavori sul circuito idraulico (con rischio di sbalzi di pressione), si consiglia di scollegare **Blue Connect** per evitare danni al dispositivo.
- » Assicurarsi un flusso sufficiente nella propria installazione affinché il **Blue Connect** possa effettuare le misurazioni.
- » Posizionare sempre **Blue Connect** verticalmente con la sonda rivolta verso il basso.
- » **Blue Fit50** non può essere collegato a tubi flessibili.
- » **Blue Fit50** resiste ad una pressione massima di 3 bar.
- » **Blue Fit50** viene utilizzato su un tubo da 50 mm in Europa e un tubo da 60 mm per Stati Uniti ed Australia.

Installazione di Blue Fit50

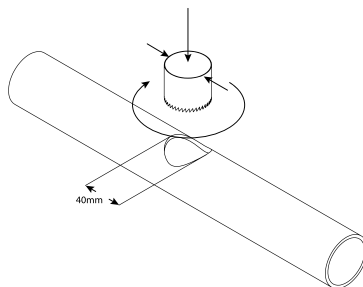
NOTA: in caso di dubbio rivolgersi al proprio rivenditore o installatore.

A. Assicurare la posizione corretta

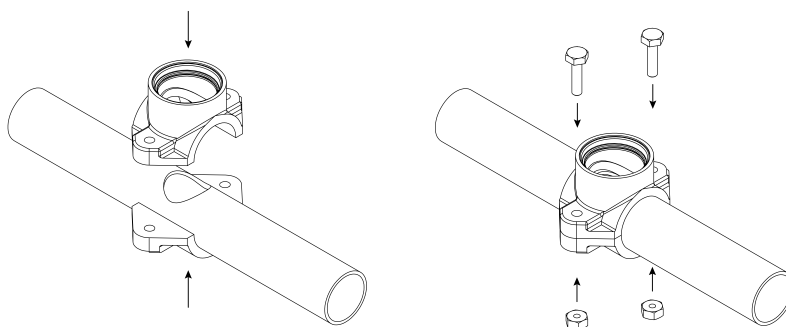
Assicurarsi di posizionare sempre **Blue Fit50** dopo il filtro (per evitare di danneggiare le sonde) e prima del suo sistema di iniezione di prodotto o dell'elettrolisi (in modo da non alterare le misurazioni effettuate dal **Blue Connect**).

B. Accensione

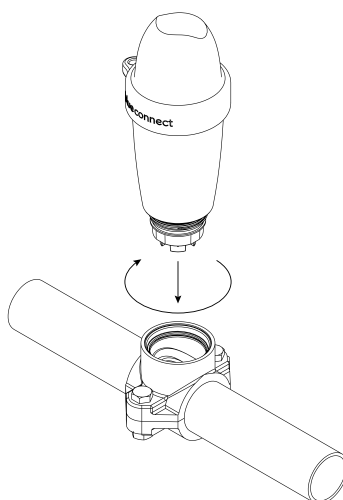
1. Spegnere il sistema di filtraggio.
2. Praticare un foro di 40 mm di diametro con un perforatore sulla parte superiore del tubo. **NOTA: Blue Connect** deve restare in posizione verticale con la sonda rivolta verso il basso.



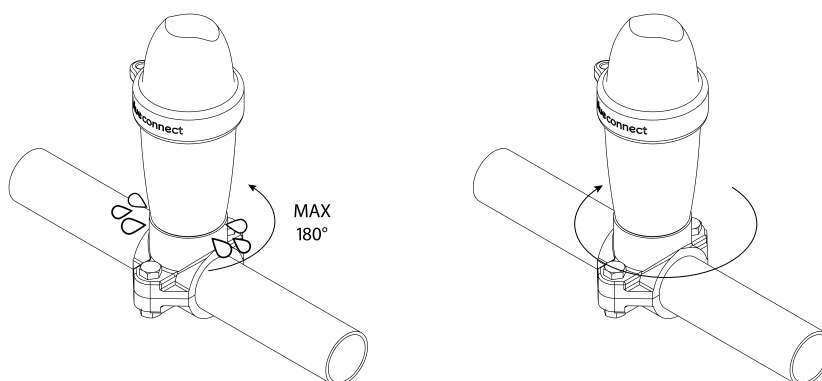
3. Posizionare le due parti del collare di presa in carica su ciascun lato della tubatura in modo che i fori coincidano e avvitare il collare.



4. Avvitare **Blue Connect**.



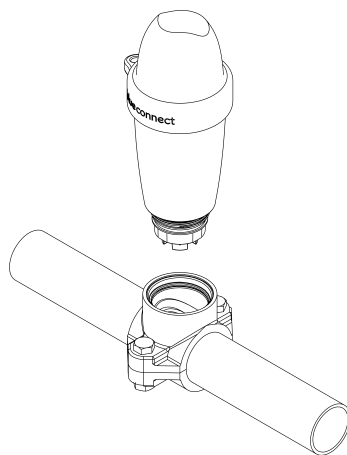
5. Attivare il sistema di filtraggio.
6. Svitare il dispositivo **Blue Connect** leggermente e lentamente (massimo di mezzo giro) per permettere l'eventuale fuoriuscita d'aria. Non appena l'acqua esce significa che non c'è aria nelle tubature ed è quindi possibile avvitare nuovamente **Blue Connect** saldamente.



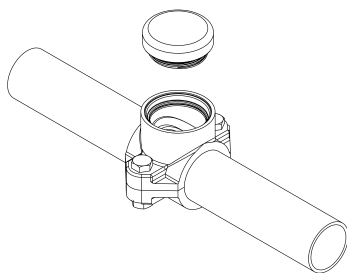
7. Nell'app, in "Impostazioni" » "Il mio **Blue Connect**" » "Localizzazione", attivare l'opzione **Blue Fit50**.

Procedura di stoccaggio

1. Svitare **Blue Connect**.



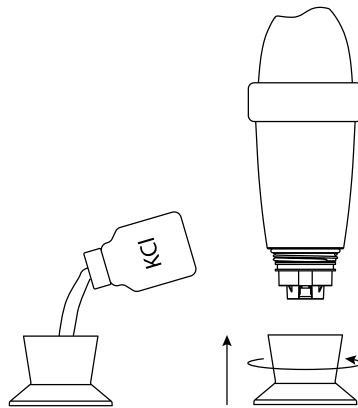
2. Chiudere il collare di presa in carica con il coperchio incluso nella confezione del **Blue Fit50**.



3. Attivare internet (Wi-Fi o 4G) ed il Bluetooth® sul vostro smartphone.
NOTA: rimanere in prossimità del dispositivo durante tutta l'operazione.



4. Nell'applicazione, in "Impostazioni" » "Il mio **Blue Connect**" cliccare su "Mettere **Blue Connect** in standby".
5. Risciacquare il tappo per lo stoccaggio e asciugarlo. Inserire KCl¹⁰ (cloruro di potassio saturo) o pH4 dentro il tappo per lo stoccaggio e avvitarlo.



6. Confermare la modalità Stand-by e conservare il dispositivo **Blue Connect** al riparo dal gelo.



Vi invitiamo a visitare il nostro sito di supporto online per approfittare di un servizio di assistenza remoto: www.blueconnect.io (assistenza).

Informazioni generali

Garanzie

- » Garanzia del prodotto e della sonda: 24 mesi.
- » Garanzia della batteria: 12 mesi.

Riiot Labs non offre alcuna garanzia contro il deterioramento del materiale a seguito di manipolazione di quest'ultimo; in particolare, per quanto concerne la sostituzione di sonda e batteria, né contro i danni conseguenti all'essiccamento delle sonde, né contro l'usura ed il naturale processo di invecchiamento del prodotto, né contro i danni causati da incidente o da uso improprio. Riiot Labs non offre alcuna garanzia in caso di mancata osservanza delle precauzioni d'uso.

Come riciclare questo prodotto



Questo simbolo indica che questo prodotto deve essere smaltito in conformità con le normative vigenti e separato dai rifiuti domestici. Quando il prodotto termina il suo ciclo vitale, è necessario consegnarlo nei punti di raccolta ufficiali. La separazione e il riciclaggio del prodotto contribuiscono a proteggere le riserve di materie prime e garantiscono il rispetto delle linee guida relative alla salute e alla salvaguardia dell'ambiente, nell'ambito del riciclaggio.

¹⁰ Il KCl presente nel tappo per lo stoccaggio potrebbe causare la formazione di sale agglomerato nel punto di giunzione con il corpo del dispositivo: questo processo non è pericoloso. Semplicemente risciacquare con acqua pulita.

Marchio depositato

Riiot Labs, **Blue Connect** e **Blue Fit50** così come i rispettivi loghi sono marchi commerciali o registrati di Riiot Labs S.A.

Fluidra, così come i rispettivi loghi, sono marchi commerciali o marchi registrati di Fluidra S.A.

Il marchio Bluetooth® (così come il corrispettivo logo) è marchio registrato e di proprietà di Bluetooth SIG, Inc ed il suo utilizzo da parte di **Blue Connect** è soggetto a licenza.

AppStore® è un marchio di servizio Apple, Inc. registrato negli Stati Uniti e in altri Paesi.

iOS è un marchio commerciale o marchio registrato di Cisco negli Stati Uniti e in altri Paesi, utilizzato su licenza.

Google Play™ e Android sono marchi di Google Inc.

Tutti gli altri marchi commerciali e marchi registrati citati nel presente documento sono protetti da Copyright e appartengono ai rispettivi proprietari.

Dichiarazione di conformità



Per ottenere una copia della dichiarazione di conformità FCC, CE, vi invitiamo a visitare il nostro sito web www.blueconnect.io/legal.

Per ulteriori informazioni è possibile consultare il sito www.blueconnect.io (assistenza).

Declaration of conformity FCC

Changes or modifications not expressly approved by Riio Labs SA could void the user's authority to operate the equipment.

For devices with a serial number that begins with a 4.

FCC Part 15 compliance statement

This device complies with part 15 of the FCC Rules. Operation is subject to the following two conditions: (1) This device may not cause harmful interference, and (2) this device must accept any interference received, including interference that may cause undesired operation. NOTE: This equipment has been tested and found to comply with the limits for a Class B digital device, pursuant to part 15 of the FCC Rules. These limits are designed to provide reasonable protection against harmful interference in a residential installation. This equipment generates uses and can radiate radio frequency energy and, if not installed and used in accordance with the instruction, may cause harmful interference to radio communications. However, there is no guarantee that interference will not occur in a particular installation. If this equipment does cause harmful interference to radio or television reception which can be determined by turning the equipment off and on, the user is encouraged to try to correct interference by one or more of the following measures: - Reorient or relocate the receiving antenna. - Increase the separation between the equipment and receiver. - Connect the equipment into an outlet on circuit different from that to which the receiver is connected. - Consult the dealer or an experienced radio/TV technician for help.

Industry Canada Licence-Exempt Radio Apparatus

This device complies with Industry Canada licence-exempt RSS standard(s). Operation is subject to the following two conditions: (1) this device may not cause interference, and (2) this device must accept any interference, including interference that may cause undesired operation of the device.

Le présent appareil est conforme aux CNR d'Industrie Canada applicables aux appareils radio exempts de licence. L'exploitation est autorisée aux deux conditions suivantes : (1) l'appareil ne doit pas produire de brouillage, et (2) l'utilisateur de l'appareil doit accepter tout brouillage radioélectrique subi, même si le brouillage est susceptible d'en compromettre le fonctionnement.

Radio Frequency (RF) Exposure Compliance of Radiocommunication Apparatus

To satisfy FCC and IC RF Exposure requirements for mobile devices, a separation distance of 20 cm or more should be maintained between the antenna of this device and persons during operation. To ensure compliance, operation at closer than this distance is not recommended. This transmitter must not be co-located or operating in conjunction with any other antenna or transmitter.

Conformité à l'exposition aux champs RF des équipements radio

Pour satisfaire aux exigences FCC et IC concernant l'exposition aux champs RF pour les appareils mobile, une distance de séparation de 20 cm ou plus doit être maintenu entre l'antenne de ce dispositif et les personnes pendant le fonctionnement. Pour assurer la conformité, il est déconseillé d'utiliser cet équipement à une distance inférieure. Cet émetteur ne doit pas être co- situé ou fonctionner conjointement avec une autre antenne ou un autre émetteur.

Declaration of conformity CE



For devices with a serial number that begins with a 3.

Hereby, Riio Labs S.A. declares that the radio equipment type Blue Connect Smart Pool Analyser is in compliance with Directive 2014/53/EU. The full text of the EU declaration of conformity is available at the following internet address: **www.blueconnect.io/legal**

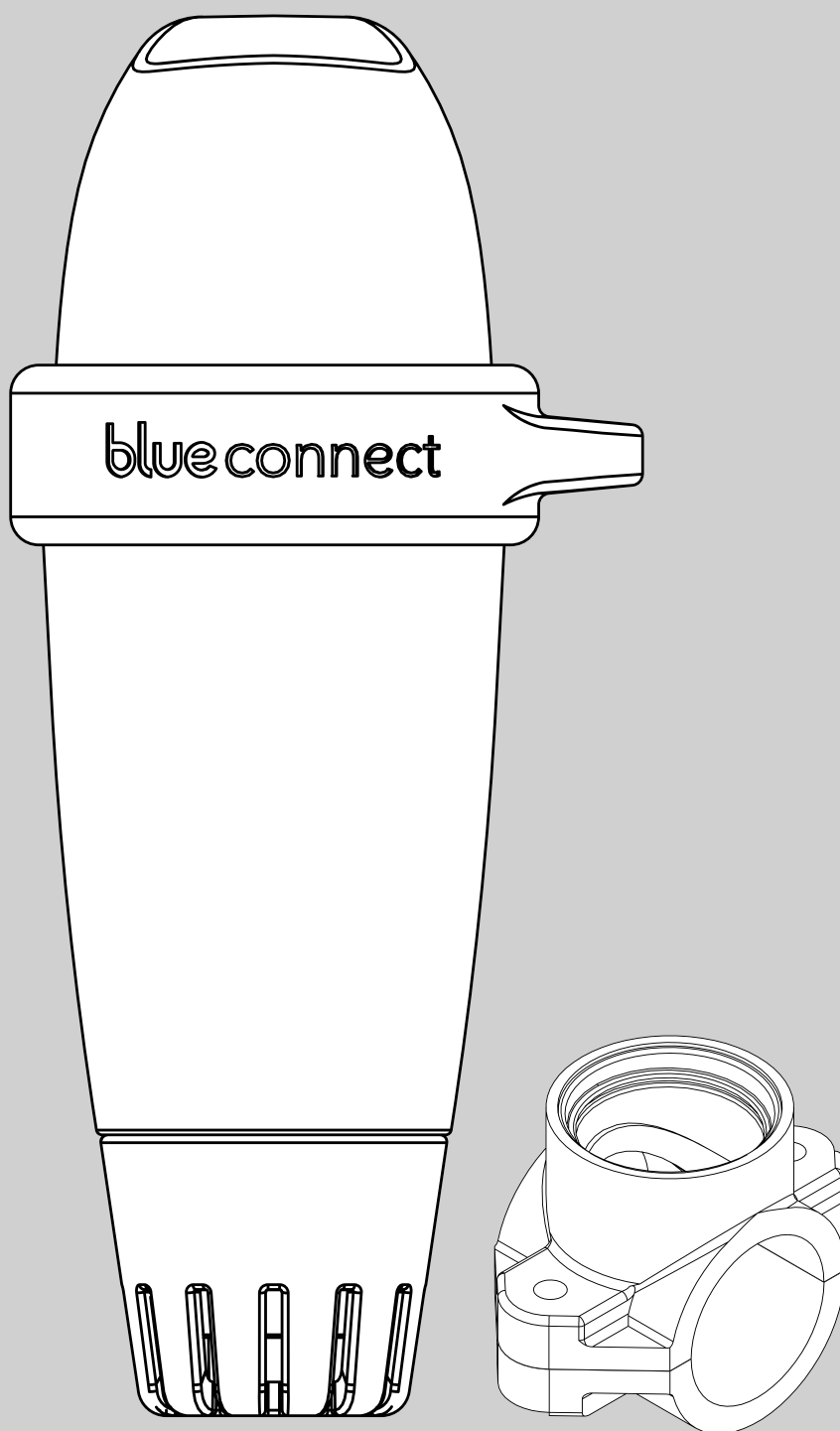
SIGFOX : Tx : 868.13MHz / 14dBm max Rx : 869.525MHz
Bluetooth LE : 2400-2483.5MHz / 10dBm max

Authorized countries codes:

ALB - AND - AUT - BEL - BIH - BLR - BUL - CYP - CZE -
DNK - EST - FIN - GRC - HNG - HOL - HRV - IRL - ISL -
LIE - LTU - LUX - LVA - MDA - MKD - MLT - MNE - NOR -
POL - POR - ROU - SRB - SUI - SVK - SVN - TUR

blue connect blue fit50

GEBRUIKSHANDLEIDING



blue

Bedankt voor het kiezen van **Blue Connect**.

www.blueconnect.io

Inleiding

A. Presentatie

Blue Connect meet doorlopend de hoofdparameters van uw zwembad (temperatuur, pH-waarde, ORP/Redox, geleidbaarheid). Dit apparaat informeert u ook over de buitentemperatuur en over het weer, op basis van uw geolocatie. Dan worden de resultaten van deze analyses u meegedeeld via notificaties via de applicatie "**Blue Connect**" (beschikbaar op smartphone en tablet, compatibel met Android™ en iOS). Als het apparaat detecteert dat één van de parameters onjuist is, bent u door een waarschuwing geïnformeerd over deze toestand en deze waarschuwing legt u de te volgen instructies over om deze parameter te regelen en te stabiliseren teneinde een evenwichtig en gezond water te handhaven.

Blue Connect meet:

- » De watertemperatuur (°C, °F): een te hoge temperatuur vermindert de doeltreffendheid van het ontsmettingsmiddel en bevordert de ontwikkeling van micro-organismen.
- » pH: is de afkorting van potentiaal hydrogenium. Deze grootheid meet de zure of basische aard van een milieu. De pH bijdraagt tot de werkzaamheid van het ontsmettingsmiddel.
- » ORP/REDOX (meting van actief chloor in mV): De ORP-meting wordt in millivolt (mV) uitgedrukt. De door de ORP-sonde van Blue genomen meting is een spanning in millivolt (mV) die de min of meer oxiderende aard van het water van uw zwembad aangeeft.
- » De geleidbaarheid¹ (µS): Meting van de concentratie anorganische zouten in water door haar vermogen elektriciteit te geleiden.

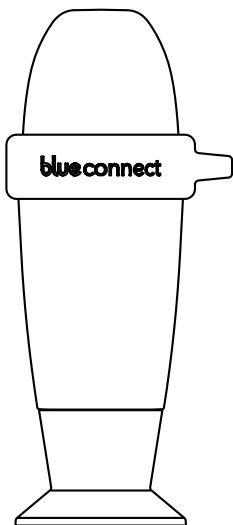
B. Voorzorgen bij gebruik

- » Gebruik niet **Blue Connect** voor een ander doel dan de analyse van water.
- » **Blue Connect** is geen speelgoed. Zorg ervoor dat dit apparaat schokken niet ondergaat aangezien **Blue Connect** daardoor kan worden beschadigd.
- » Houd **Blue Connect** buiten het gebruik van kinderen bij hantering van dit apparaat (bv.: kalibratie en stand-by) om redenen van gebruik van chemische producten. Sla kalibratie producten op buiten het gebruik van kinderen.
- » Het bovenste deel van het apparaat moet niet geopend worden (behalve bij de vervanging van de batterij). Volg nauwgezet de gebruiksaanwijzingen om de batterij te veranderen. De door vloeistoffen veroorzaakte schade valt niet onder de garantie.
- » Het onderste deel van het apparaat, dat de sonde bevat, moet niet geopend worden (behalve bij de vervanging van de sonde). Volg nauwgezet de gebruiksaanwijzingen om de sonde te veranderen. De door vloeistoffen veroorzaakte schade valt niet onder de garantie.

¹ Betreffende zoutzwembaden wordt het zoutgehalte (meer bepaald het totale zoutgehalte) gemeten op basis van de geleidbaarheid. De meting van het zoutgehalte wordt door **Blue** uitgedrukt in gram per liter (g/L) van TDS (« Total Dissolved Solids »). Het gaat om een schatting van de totale hoeveelheid opgeloste soorten in het zwembad, die is gebaseerd op de veronderstelling dat de hoofdsorte natriumchloride (NaCl of keukenzout) is. Natriumchloride verhoogt het geleidingsvermogen van het zwembadwater in functie van de concentratie. Een op de geleidbaarheid gebaseerde schatting van de hoeveelheid natriumchloride zal vooral afwijken als andere onbekende zouten aanwezig zijn in uw zwembad. Deze afwijking kan gecontroleerd worden door gebruik van specifieke colorimetrische teststrips voor het detecteren van natriumchloride.

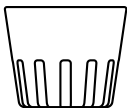
- » Zorg ervoor dat de sonde niet droog komt te staan zonder de bewaarsokkel te hebben gevuld met KCl (verzadigd kaliumchloride), met pH4 of, als allerlaatste middel, met stromend water en een grote hoeveelheid keukenzout.
- » Gebruik geen gedemineraliseerd water in de bewaarsokkel.
- » Het bovenste deel van het apparaat moet uit het water zijn om de werking van het communicatiesysteem mogelijk te maken.
- » Laat **Blue Connect** niet in een water van minder dan 5°C of van meer dan 50°C.
- » Bewaar het serienummer en de code² (key) van **Blue Connect**.
- » Sla **Blue Connect** vorstvrij op.

Inhoud van de doos

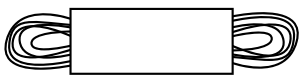


Het analyseapparaat **Blue Connect**: wordt op de bewaarsokkel geleverd om de sonde te beschermen tijdens het vervoer. De sonde wordt in KCl (verzadigd kaliumchloride) ondergedompeld. Deze KCl-oplossing beschermt de sonde.

De bewaarsokkel: wordt gebruikt om het apparaat uit het water te vervoeren of om de sensoren ondergedompeld te houden bij langdurige opslag (bv. tijdens het winterseizoen).



De gebruikssluiting: moet altijd op het apparaat geplaatst worden voorafgaand aan het te water laten. De gebruikssluiting beschermt de sensoren tegen eventuele schokken.



Het touw: kan gebruikt worden om het apparaat aan een bevestigingspunt te hangen.



De snelstartgids (quick start guide): helpt u bij het starten van het apparaat.

² Op de achterkant van de gebruikshandleiding en op de bewaarsokkel.

Installatie van de applicatie

1. Schakel internet (Wi-Fi of 4G) en Bluetooth® in op uw smartphone of op uw tablet.
NB: Blijf dicht bij het apparaat gedurende de gehele activeringsduur van **Blue Connect**.



2. Download de app "**Blue Connect**" gratis via de App Store® en Google Play™.



3. Sta de berichtgeving toe om van meldingen te genieten.

4. Log u in op "**Blue Connect**":

- » via Facebook®.
- » via Twitter®.
- » via uw e-mailadres.

5. Creëer uw zwembad: Voer de kenmerken van uw zwembad in.
NB: U kunt altijd teruggaan naar de kenmerken van het actieve zwembad via "Instellingen" » "Mijn zwembad".

NB: Om een ander zwembad toe te voegen in de app, druk op de naam van het zwembad en druk op "+".

De app bestaat uit 4 hoofdsecties³:



Het instrumentenbord: geeft u informatie over de status van **Blue Connect**, over de watertemperatuur, over het lokale weer en over de waterkwaliteit van uw zwembad.



Tabel met waarden: informeert u precies over de door **Blue Connect** gemeten waarden, over de trends en over de ideale waarden.



Onderhoudshandboek: geeft u adviezen betreffende de te verrichten handelingen om de waterkwaliteit van uw zwembad te behouden.



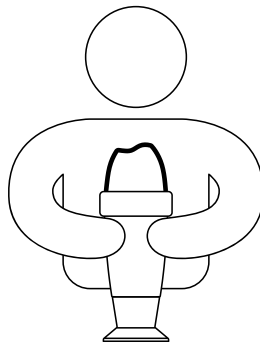
Instellingen: geven u de mogelijkheid om de parameters van uw zwembad en van de **Blue** apparaten in te stellen en om toegang tot de technische bijstand en ondersteuning te hebben.

³ De app is onderworpen aan voortdurende verbeteringen en wijzigingen.

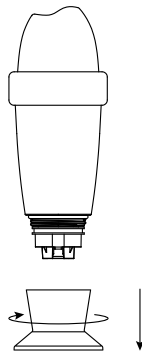
Installatie van Blue Connect

A. Hoe start u Blue Connect?

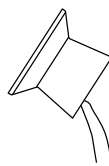
1. In de app, via "Instellingen" » "Mijn **Blue Connect**", druk op "Een **Blue Connect** toevoegen" en vul de code (key) in en voer de drie laatste cijfers van het serienummer (SN) in, die beide zich op de achterkant van de snelstartgids of op de bewaarsokkel van het apparaat bevinden.
2. Om **Blue Connect** te starten, schakel het apparaat in. De bovenkant van het hoofd heeft de vorm van een golf. Houd het apparaat vast met het hoofd naar boven gericht en schud het met een korte stoot. Wanneer twee piepjes worden uitgezonden, betekent het dat de handeling met succes uitgevoerd is.



3. Druk op "Ok" om de activering te voltooien. Voortaan is het apparaat gekoppeld aan uw account en is definitief verbonden met het netwerk Sigfox^{®4}.
4. Zet **Blue Connect** rechtop op de bewaarsokkel en schroef het apparaat los.

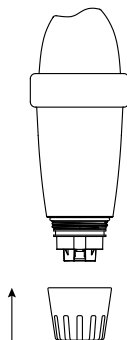


5. Maak de bewaarsokkel leeg, spoel het met schoon water en ruim de sokkel op.

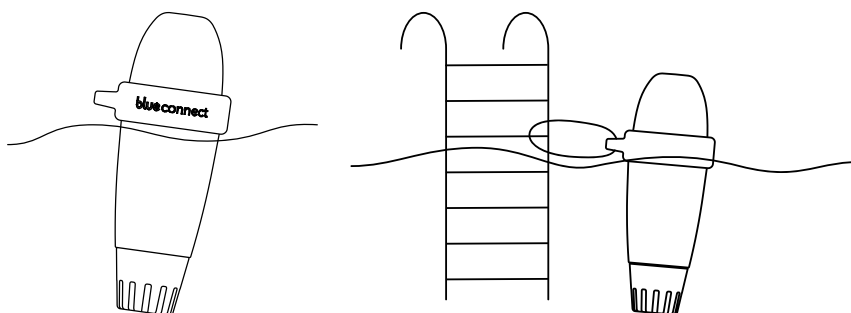


⁴ Sigfox[®] is een telecommunicatienetwerk dat gespecialiseerd is in het Internet der dingen (IoT - Internet of Things). Het gaat om een cellulair netwerk met lage bitsnelheid, dat geen afbreuk doet aan uw wifi-thuisnetwerk. U kunt nagaan of uw zwembad door Sigfox[®] bestreken wordt via de realtime kaart van de operator: www.sigfox.com/coverage. **Blue Connect** gebruikt Sigfox[®] om gegevens over te dragen naar uw smartphone.

6. Spoel de sonde met schoon water en plaats de gebruikssluiting op het onderste deel van het apparaat om de sondes te beschermen.



7. Plaats **Blue Connect** in het zwembad:
1. In het **zwembassin**: laat het apparaat drijven in uw zwembad. U kunt **Blue Connect** vastmaken, zo nodig. Daarvoor hangt het apparaat aan een bevestigingspunt met het touw dankzij de rubberring.
 2. In het **technische lokaal** dankzij **Blue Fit50**⁵ (Cfr p.17).



NB: Zorg ervoor dat **Blue Connect** rechtop blijft en dat het bovenste deel uit het water is om de goede werking (correcte communicatie) van het apparaat te verzekeren.

B. Opmerkingen

- » De sonde moet niet in de open lucht zijn.
- » **Blue Connect** maakt automatisch verbinding met het Sigfox[®]-netwerk dat metingen zendt met regelmatige tussenpozen.
- » Het kan enkele uren duren opdat de sonde de parameters van **Blue** stabiliseert na haar eerste onderdompeling in het zwembad.
- » Als het Sigfox[®]-netwerk geen dekking biedt, zijn er twee alternatieven.
 - » **Blue Connect** werkt met Bluetooth[®]. In dat geval moet u metingen dagelijks nemen met Bluetooth[®] opdat het apparaat als analysetoestel kan functioneren.
 - » Dankzij **Blue Extender**⁶ kan **Blue Connect** verbinding maken met uw Wi-Fi. Voor meer informatie zie onze website of neem contact op met uw wederverkoper.

U kunt onze startvideo van **Blue Connect** raadplegen op www.blueconnect.io (hulp).

⁵ **Blue Fit50** is een hulpstuk van Blue Connect en is beschikbaar in het pakket Blue Connect Plus of is los verkocht.

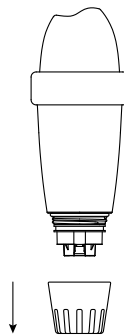
⁶ Apart verkocht.

Onderhoud van Blue Connect

A. Kalibratie

NB: Blue Connect hoeft niet te worden gekalibreerd bij het ontvangen van het apparaat. In het algemeen is het noodzakelijk een of twee keer per seizoen **Blue Connect** te kalibreren. Gebruik de kalibratie kit die bedoeld is voor **Blue Connect** of voor standaardijkoplossingen die bij de zwembadspecialisten beschikbaar zijn. De kalibratieproducten zijn bestemd voor éénmalig gebruik. Gebruik nooit twee keer hetzelfde kalibratieproduct.

1. Haal het apparaat uit het water, Verwijder de gebruikssluiting en spoel de sonde met schoon water.



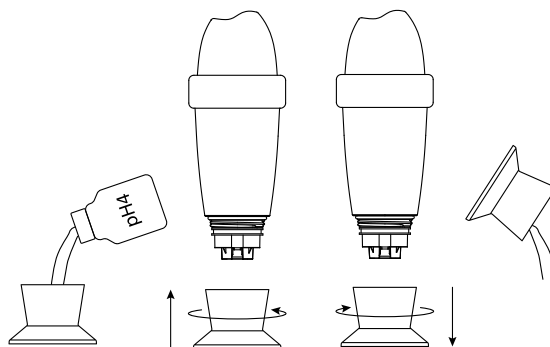
2. Reinig de bewaarsokkel met schoon water en droog het af.

3. Schakel internet (Wi-Fi of 4G) en Bluetooth® in op uw smartphone.
NB: Blijf dicht bij uw apparaat tijdens de gehele looptijd van de kalibratie.



4. In de app, via "Instellingen" » "Mijn **Blue Connect**" » "Parameter van de sonde" druk op "**Blue Connect** kalibreren" en de stappen van de app volgen. Als u de keuze tussen meerdere producten hebt, selecteer de ijkoplossing die u gaat gebruiken.

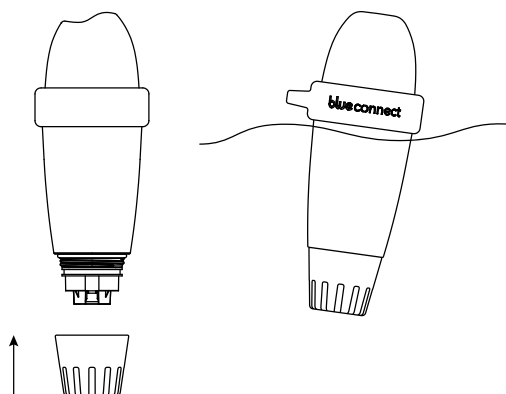
5. Schenk de ijkoplossing in de bewaarsokkel en schroef de sokkel aan het apparaat. Dan druk op "Volgend". Bovenaan het scherm ziet u de voortgang van het nemen van metingen. Na afloop van de meting kunt u de bewaarsokkel losschroeven en de sonde spoelen. Maak de bewaarsokkel leeg, spoel het⁷ en droog het af.



⁷ Na gebruik van een kalibratieproduct reinig altijd de sonde en de bewaarsokkel met schoon water om mengsels te vermijden.

6. Valideer de kalibratie.

7. Plaats de gebruikssluiting terug en zet **Blue Connect** in het zwembad.

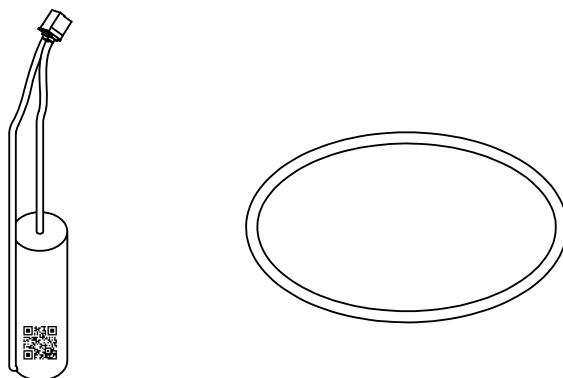


B. Vervanging van de batterij

Elke twee jaar moet de batterij vervangen worden. Neem contact op met uw wederverkoper om een batterij te verkrijgen.

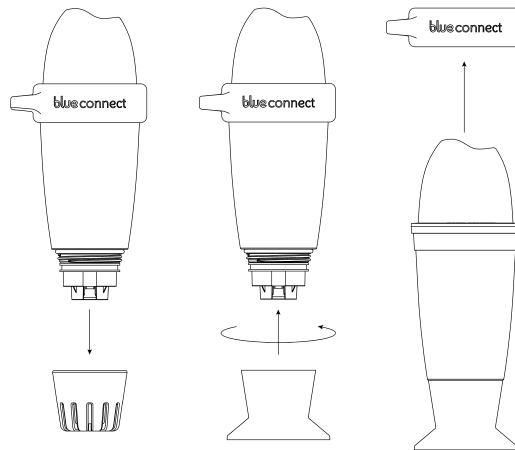
NB: Om een maximale levensduur van de batterij te waarborgen, zet **Blue Connect** in standby tijdens het overwinteren van uw zwembad (Cfr p. 14).

Inhoud van de doos:

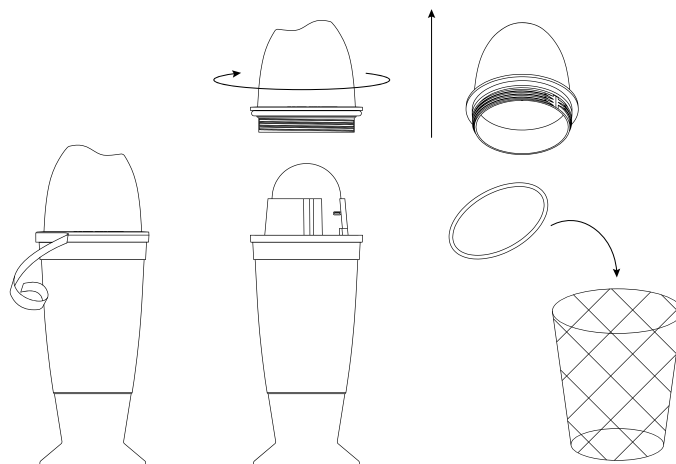


Installatie:

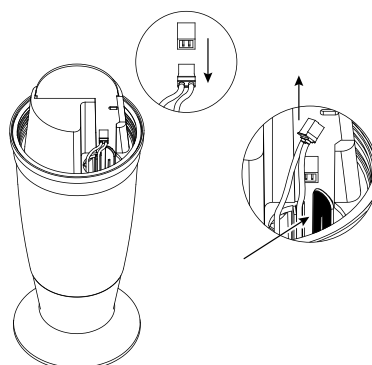
1. In "Instellingen" » "Mijn **Blue Connect**", druk op "Vervanging van batterij".
2. Haal het apparaat uit het water, verwijder de rubberring en de gebruikssluiting, en plaats **Blue Connect** op zijn bewaarsokkel.



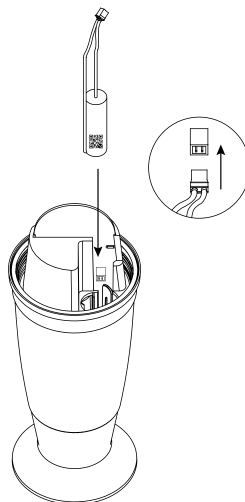
3. Droog het apparaat af en begin de procedure in een droge en schone ruimte.
4. Verwijder de kleefband en draai het bovenste deel van het apparaat los. Het gaat om een links net. U mag het losschroeven met de wijzers van de klok mee. Verwijder de pakking en gooi het weg.



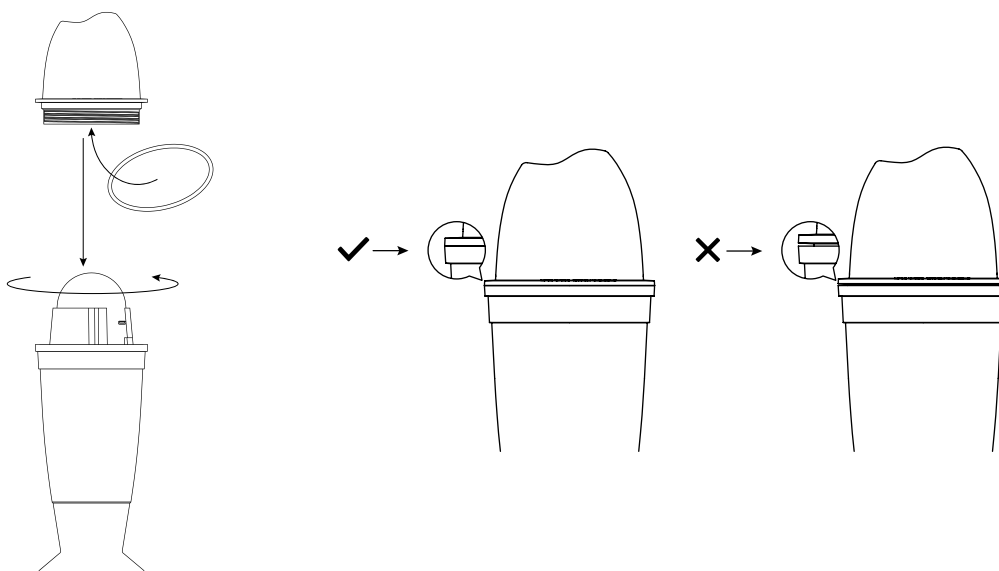
5. Schakel de witte connector uit en trek aan de rode en zwarte kabel. De batterij bevindt zich aan het andere uiteinde van de kabel. Druk op de schacht om de connector uit te schakelen en haal de kabel uit om de batterij te verwijderen.



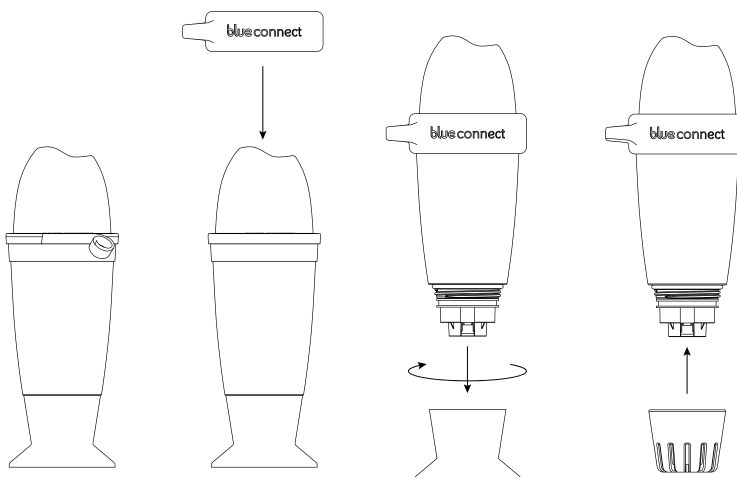
6. Plaats de nieuwe batterij op de bodem van de holte totdat de batterij geblokkeerd is. Dan sluit de connector aan.



7. Plaats de nieuwe geleverde pakking met de batterij op de schroefdraad van het bovenste deel van het apparaat. Sluit het bovenste deel weer. Het gaat om een links net. Schroef het tegen de klok in.



8. Zet de rubbering weer op zijn plaats. Plaats dan de gebruikssluiting en zet **Blue Connect** opnieuw in water.

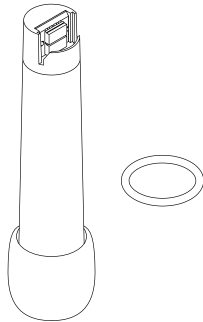


C. Vervanging van de sonde

De sonde moet ongeveer elke twee jaar vervangen worden⁸. Neem contact op met uw wederverkoper om een sonde te verkrijgen.

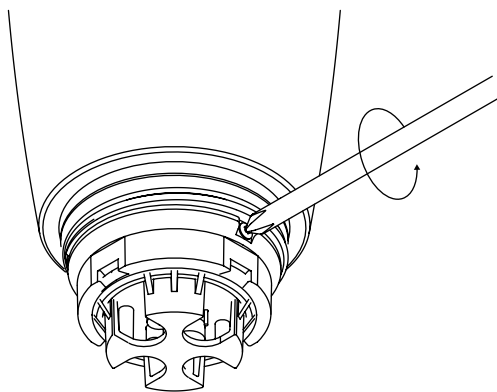
NB: Om een maximale levensduur van de sonde te waarborgen, bewaar de sonde zo lang mogelijk in een vochtige omgeving. Als u het apparaat uit het water haalt, moet u het schroeven op de bewaarsokkel die wordt gevuld met KCl (verzadigd kaliumchloride), met pH4 of, als allerlaatste middel, met stromend water en een grote hoeveelheid keukenzout.

Inhoud van de doos:



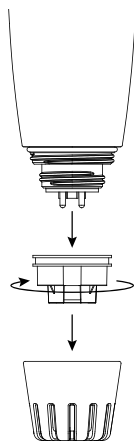
Installatie:

1. In de app, in "Instellingen" » "Mijn **Blue Connect**" » "Parameter van de sonde", druk op "Vervanging van sonde".
2. Trek **Blue Connect** uit het water, neem de gebruikssluiting weg en begin de procedure op een schone en droge plek.
3. Droog **Blue Connect** af met een schoon en absorberend doek, door aandacht te hebben voor het drogen van de onderkant van het product (waar de sonde zich bevindt), zonder de sensoren te raken.
4. Met behulp van een schroevendraaier schroef de vijs die zich op de omtrek van de moer bevindt los.

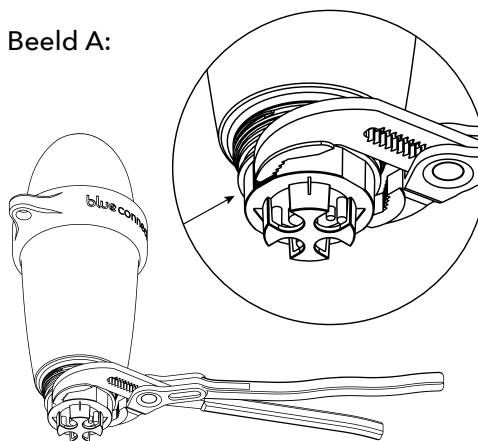


⁸ Zorg ervoor dat de sonde niet droog komt te staan zonder de bewaarsokkel te hebben gevuld met KCl (verzadigd kaliumchloride), met pH4 of, als allerlaatste middel, met stromend water en een grote hoeveelheid keukenzout.

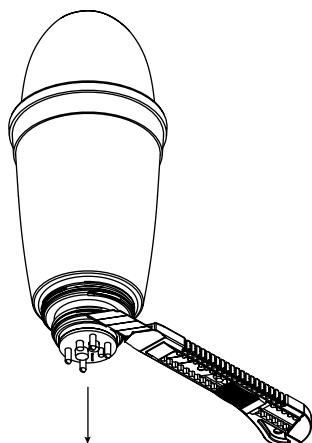
5. Schroef de moer los met het doek. Als u moeilijkheden ondervindt om de moer los te schroeven, gebruik een waterpomptang en plaats de tang op deze specifieke plek (Beeld A).



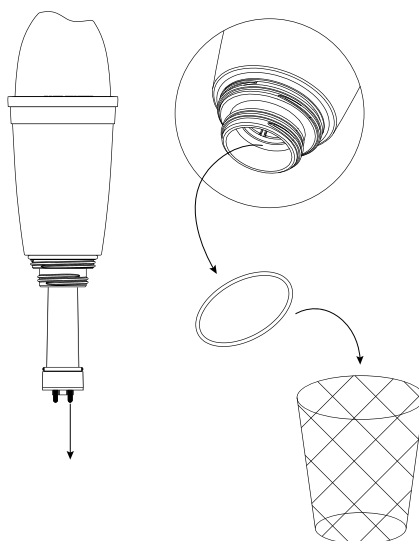
Beeld A:



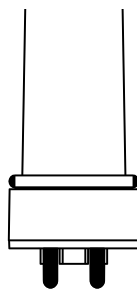
6. Gebruik een mes of een stanleymes (of nagels) om de sonde te deblokkeren



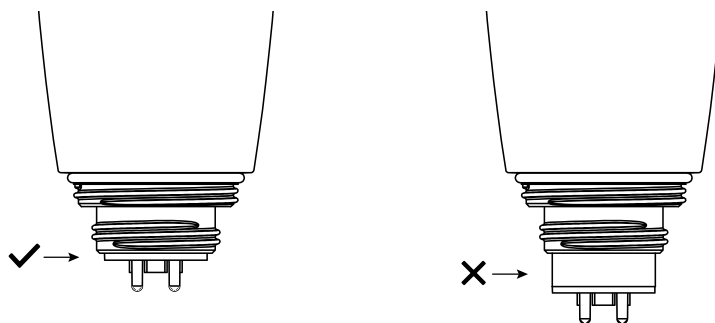
7. Neem de sonde weg door ervoor te zorgen dat **Blue Connect** rechtop blijft (met de bovenkant van het apparaat boven en de onderkant onder) om te vermijden dat het restwater in het product komt. Verwijder de pakking en gooi het weg. De pakking kan binnen vastgezet worden.



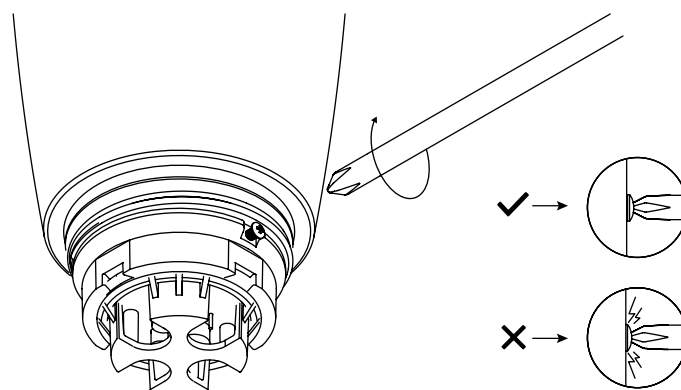
8. Droog het restwater af op de opening van **Blue Connect** en binnen het gat met het doek.
9. Neem de nieuwe sonde, scan de QR-code en verwijder de beschermdop. Zorg ervoor dat u de sonde niet laat vallen omdat de sonde is een zeer breekbaar element.
10. Droog de behuizing de zwart plastic behuizing van de nieuwe sonde, zo nodig. De behuizing moet volledig droog zijn.
NB: zorg ervoor dat de gouden sensoren van de bovenkant van de sonde schoon (schitterend) en droog zijn. Anders maak ze schoon met een wattenstaafje dat in huishoudalcohol geweekt wordt.
11. Plaats de nieuwe pakking, die met de vulling geleverd is, op de nieuwe sonde.



12. Dan steek de sonde in het apparaat en draai de sonde totdat de sonde juist geplaatst is. Drie geluidssignalen worden binnen 15 seconden gegeven.

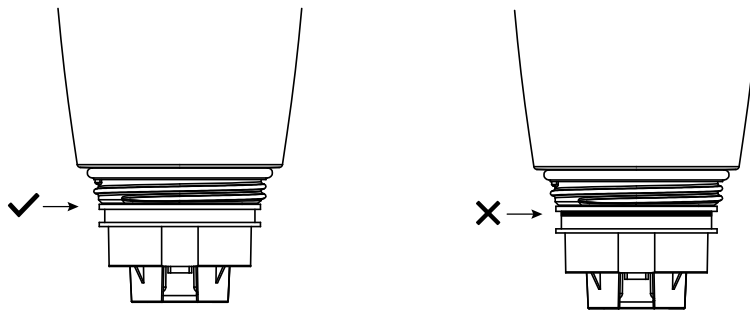


13. Met behulp van een schroevendraaier schroef de vijs die zich op de omtrek van de moer bevindt vast (zonder teveel kracht zetten).



14.

Schroef de moer vast op het apparaat. Aarzel dan niet om een doek te gebruiken om de moer correct vast te schroeven, zonder de hand te verwonden. Plaats dan de gebruikssluiting en zet **Blue Connect** opnieuw in water.



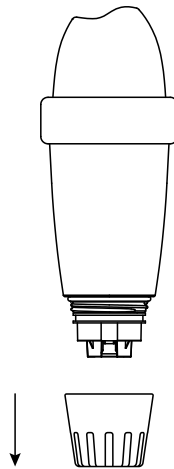
NB: Het kan enkele uren duren opdat de sonde de parameters van **Blue Connect** stabiliseert na haar eerste onderdompeling in het zwembad.

D. Blue Connect in standby zetten voor de overwintering/de bewaring

Overwintering:

1.

Haal het apparaat uit het water. Verwijder de gebruikssluiting.



2.

Schakel internet (Wi-Fi of 4G) en Bluetooth® in op uw smartphone.

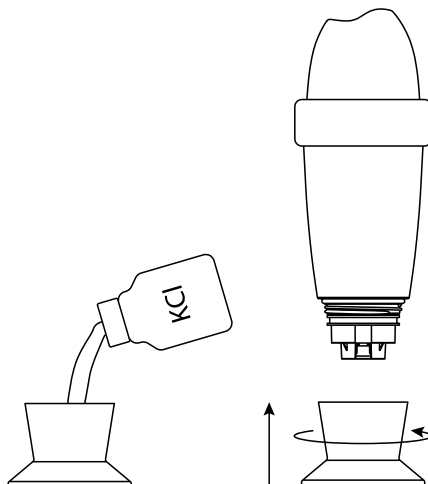
NB: Blijf dicht bij uw apparaat tijdens de gehele looptijd van het zetten in standby.



3.

In de app, in "Instellingen" » "Mijn **Blue Connect**" druk op "**Blue Connect** in standby zetten".

4. Spoel de bewaarsokkel en droog het af. Vul de bewaarsokkel met KCl⁹ (verzadigd kaliumchloride) of met pH4 en schroef de sokkel.



5. Valideer de standby-mode en bewaar **Blue Connect** vorstvrij.

Bewaring:

Als u **Blue Connect** moet halen uit het water, schroef het apparaat aan de bewaarsokkel die wordt gevuld met KCl (verzadigd kaliumchloride), met pH4 of, als allerlaatste middel, met stromend water en een grote hoeveelheid keukenzout, omdat de sonde niet kan blijven in een droge omgeving.

E. Schakel Blue Connect in na overwintering

1. In "Instellingen" » "Mijn **Blue Connect**", druk op "**Blue Connect** activeren".
2. Zie "**Installatie van Blue Connect**" vanaf het punt 2.

⁹ KCl, die aanwezig is in de bewaarsokkel, kan de vorming van geagglomereerd zout veroorzaken op het niveau van het verbindingspunt met de kern van het apparaat maar levert geen gevaar op. Spoel eenvoudig met schoon water om te reinigen.

Technische kenmerken

- » Afmeting: 253 mm x 96 mm
- » Gewicht: 714 g
- » Beschermingsnormen: Norm IPx8
- » Sensoren en metingen:
 - pH: Meetbereik: 0 tot 14
 - Nauwkeurigheid: $\pm 0,1$
 - Resolutie: 0,1
 - Temperatuur (water): Meetbereik: 5 tot 50°C
 - Nauwkeurigheid: $\pm 0,2^{\circ}\text{C}$
 - Resolutie: $0,1^{\circ}\text{C}$
 - Redox/ORP (actief chloor): Meetbereik: 0 tot 999mV
 - Nauwkeurigheid: $\pm 20\text{mV}$
 - Resolutie: 1mV

 - Geleidbaarheid: Meetbereik: 250 tot 15.000 $\mu\text{S}/\text{cm}$
 - Nauwkeurigheid: $\pm 10\%$
 - Resolutie: 1uS/cm
- » Verbinding: Sigfox®, Bluetooth Low Energy® (BLE)
- » Stroomvoorziening: 1 Lithium-batterij (thionylchloride)
- » Nominale spanning: 3,6 V
- » Besturingssysteem: iOS, Android™ (4.0 Bluetooth®, Android™ 4.3 en iOS 9.0)
- » Talen: Engels, Frans, Spaans, Nederlands, Duits, Italiaans, Portugees, Tsjechisch, Zweeds, Catalaans.
- » Ruimtelijke verenigbaarheid: EU: 868 MHz
 - US / AU: 902 / 920 MHz

blue fit50

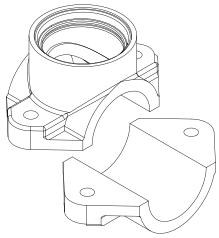
Inleiding

A. Aanbiedingsvorm

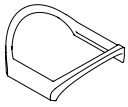
Blue Fit50 is een aanboorzadel dat compatibel is met **Blue Connect** en dit apparaat maakt het mogelijk **Blue Connect** te installeren in het technische lokaal.

Opmerking: **Blue Fit50** is een hulpstuk van **Blue Connect** en is beschikbaar in het pakket **Blue Connect Plus** of is los verkocht.

B. Inhoud van de doos



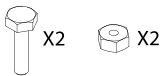
Een klem voor buis van 50mm (EU) of 60mm (US/AU).



De afdichting (reeds geplaatst binnen de klem voor buis).



Een gebruikssluiting.



2 bouten.

C. Voorzorgen bij gebruik

- » U moet niet **Blue Connect** op **Blue Fit50** laten gebruiken wanneer er geen water is in de buizen.
- » In geval van handeling op de hydraulische leidingstelsel (risico van waterslag) wordt er aanbevolen **Blue Connect** te verwijderen om de kwaliteit van het product niet te verminderen.
- » U moet ervoor zorgen dat er een voldoende debiet is in uw installatie zodat **Blue Connect** metingen kan nemen.
- » Zet altijd **Blue Connect** recht op met de sonde naar beneden.
- » **Blue Fit50** kan niet bevestigd worden aan flexibele slangen.
- » **Blue Fit50** weerstaat een maximale druk van 3 bar.
- » **Blue Fit50** wordt gebruikt met een buis van 50 mm in Europa en met een buis van 60 mm in de Verenigde Staten en in Australië.

Installatie van Blue Fit50

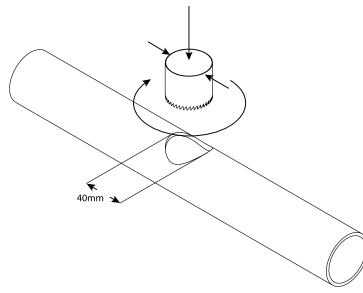
NB: Als u twijfels hebt, neem hiervoor contact op met uw zwembadbouwer of met uw zwembad installatiebedrijf.

A. Keuze van de goede locatie

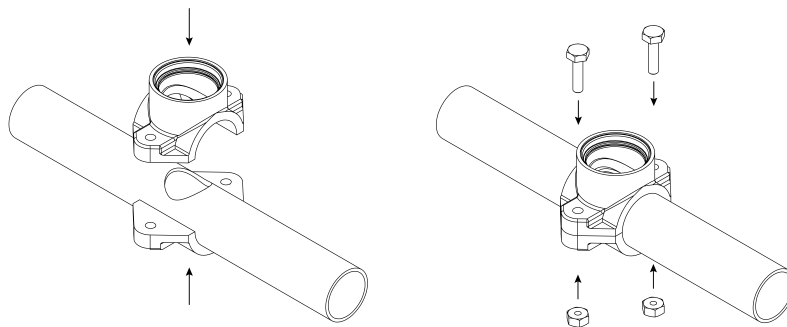
Zorg altijd ervoor dat **Blue Fit50** geplaatst is na de filter (om de beschadiging van de sondes te vermijden) en vóór uw inspuitingssysteem van product of van elektrolyse (om de door **Blue Connect** genomen metingen niet te wijzigen).

B. Plaatsing

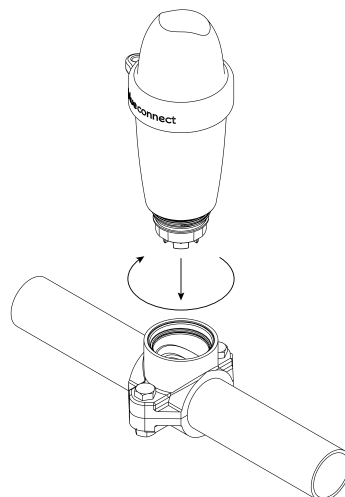
1. Schakel het filtersysteem uit.
2. Maak een gat, met een gatzaag (diameter van 40 mm), in het bovenste deel van de buis. **NB:** Zet altijd **Blue Connect** rechtop met de sonde naar beneden.



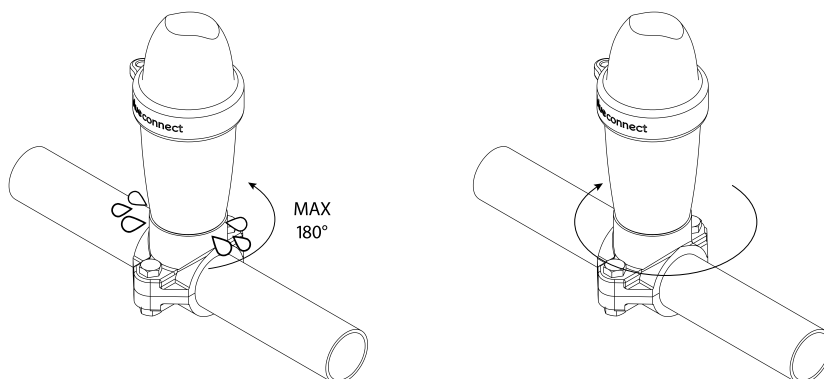
3. Plaats de twee delen van het aanboorzadel aan beide zijden van de buis zodat de gaten samenvallen, en schroef het aanboorzadel.



4. Schroef **Blue Connect**.



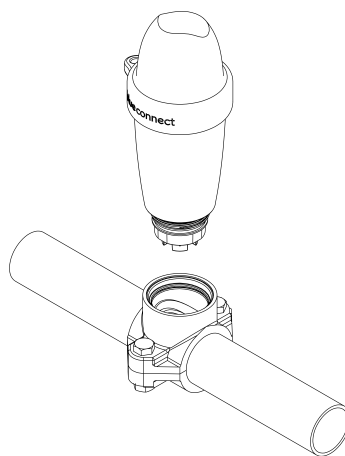
5. Schakel het filtersysteem in.
6. Schroef een beetje en langzaam **Blue Connect** los (maximum ½ draai) om de eventuele lucht uit te laten. Zodra het water uitkomt, betekent het dat er geen lucht meer in de buizen is. U kunt dan **Blue Connect** sterk schroeven.



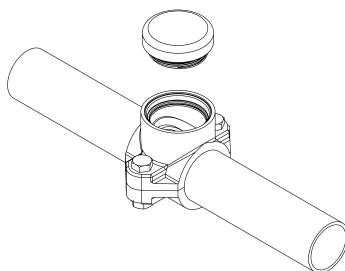
7. In de app, klik op "Instellingen" » "Mijn **Blue Connect**" » "Locatie", kies de optie **Blue Fit50**.

Procedure van overwintering

1. Schroef **Blue Connect** los.



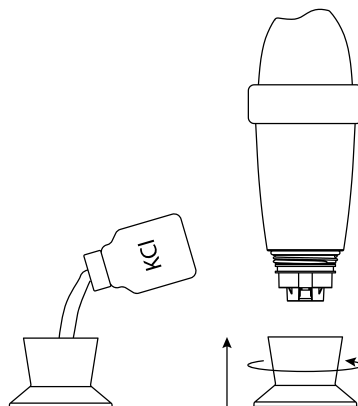
2. Sluit het aanboorzadel met de gebruikssluiting die zich bevindt in de doos van **Blue Fit50**.



3. Schakel internet (Wi-Fi of 4G) en Bluetooth® in op uw smartphone.
NB: Blijf dicht bij uw apparaat tijdens de gehele looptijd van het zetten in standby.



4. In de app, klik op "Instellingen" » "Mijn **Blue Connect**" druk op "**Blue Connect** in standby zetten".
5. Spoel de bewaarsokkel en droog het af. Vul de bewaarsokkel met KCl¹⁰ (verzadigd kaliumchloride) of met pH4 en schroef de sokkel.



6. Valideer de standby-mode en bewaar **Blue Connect** vorstvrij.



Aarzel niet onze website van onlineondersteuning te bezoeken om van een hulp of afstand te profiteren: www.blueconnect.io (ondersteuning).

Algemene voorwaarden

Garanties

- » Productgarantie + sondes: 24 maanden
- » Batterijgarantie: 12 maanden

Riioot Labs biedt geen garantie tegen de beschadiging van de uitrusting na een behandeling van dit materiaal, met name de vervanging van de sonde en van de batterij. Riioot Labs biedt ook geen garantie tegen de schade ten gevolge van de drooglegging van de sondes, tegen de gewone slijtage en veroudering van het product en tegen de schade veroorzaakt door een ongeval of door een oneigenlijk gebruik. Bovendien biedt Riioot Labs geen garantie in geval van niet-naleving van de voorzorgen bij gebruik.

Hoe kunt u dit product recyclen



Dit symbool geeft aan dat dit product moet verwijderd worden overeenkomstig de geldende wettelijke voorschriften en moet worden gescheiden van huishoudelijk afval. Wanneer het product het einde van zijn levensduur bereikt, moet u dit product terug te brengen naar de officiële inzamelpunten. De storting en de recycling van uw product zorgen

¹⁰ KCl, die aanwezig is in de bewaarsokkel, kan de vorming van geagglomereerd zout veroorzaken op het niveau van het verbindingspunt met de kern van het apparaat maar levert geen gevaar op. Spoel eenvoudig met schoon water om te reinigen.

voor de bescherming van de grondstoffenreserves en waarborgen de naleving van alle bepalingen met betrekking tot de gezondheidsbescherming en tot de milieubescherming in het kader van de recycling.

Gedeponeerd merk

Riiot Labs, **Blue Connect**, **Blue Fit50** en hun respectieve logo's zouden gedeponeerde of geregistreerde merken van Riiot Labs N.V. kunnen zijn.

Fluidra en haar logo's zijn gedeponeerde of geregistreerde merken van Fluidra N.V.

Het merk Bluetooth® (en zijn logo) is een geregistreerde merk, is de eigendom van Bluetooth SIG, Inc, en zijn gebruik door **Blue Connect** is onderworpen aan een licentie.

AppStore is een Apple Inc. gedeponeerd dienstmerk in de Verenigde Staten en in andere landen.

iOS is een Cisco gedeponeerd handelsmerk in de Verenigde Staten en in andere landen, dat onder licentie gebruikt wordt.

Google Play en Android zijn merken van Google Inc.

Alle andere handelsmerken en gedeponeerde merken, die in dit document vermeld worden, worden door Copyright beschermd en zijn de eigendom van hun respectieve eigenaars.

Conformiteitsverklaring



U kunt een exemplaar van de conformiteitsverklaring (FCC, CE) krijgen op onze website www.blueconnect.io/legal.

Voor meer informatie kijk op onze website www.blueconnect.io (ondersteuning).

Declaration of conformity FCC

Changes or modifications not expressly approved by Riio Labs SA could void the user's authority to operate the equipment.

For devices with a serial number that begins with a 4.

FCC Part 15 compliance statement

This device complies with part 15 of the FCC Rules. Operation is subject to the following two conditions: (1) This device may not cause harmful interference, and (2) this device must accept any interference received, including interference that may cause undesired operation. NOTE: This equipment has been tested and found to comply with the limits for a Class B digital device, pursuant to part 15 of the FCC Rules. These limits are designed to provide reasonable protection against harmful interference in a residential installation. This equipment generates uses and can radiate radio frequency energy and, if not installed and used in accordance with the instruction, may cause harmful interference to radio communications. However, there is no guarantee that interference will not occur in a particular installation. If this equipment does cause harmful interference to radio or television reception which can be determined by turning the equipment off and on, the user is encouraged to try to correct interference by one or more of the following measures: - Reorient or relocate the receiving antenna. - Increase the separation between the equipment and receiver. - Connect the equipment into an outlet on circuit different from that to which the receiver is connected. - Consult the dealer or an experienced radio/TV technician for help.

Industry Canada Licence-Exempt Radio Apparatus

This device complies with Industry Canada licence-exempt RSS standard(s). Operation is subject to the following two conditions: (1) this device may not cause interference, and (2) this device must accept any interference, including interference that may cause undesired operation of the device.

Le présent appareil est conforme aux CNR d'Industrie Canada applicables aux appareils radio exempts de licence. L'exploitation est autorisée aux deux conditions suivantes : (1) l'appareil ne doit pas produire de brouillage, et (2) l'utilisateur de l'appareil doit accepter tout brouillage radioélectrique subi, même si le brouillage est susceptible d'en compromettre le fonctionnement.

Radio Frequency (RF) Exposure Compliance of Radiocommunication Apparatus

To satisfy FCC and IC RF Exposure requirements for mobile devices, a separation distance of 20 cm or more should be maintained between the antenna of this device and persons during operation. To ensure compliance, operation at closer than this distance is not recommended. This transmitter must not be co-located or operating in conjunction with any other antenna or transmitter.

Conformité à l'exposition aux champs RF des équipements radio

Pour satisfaire aux exigences FCC et IC concernant l'exposition aux champs RF pour les appareils mobile, une distance de séparation de 20 cm ou plus doit être maintenu entre l'antenne de ce dispositif et les personnes pendant le fonctionnement. Pour assurer la conformité, il est déconseillé d'utiliser cet équipement à une distance inférieure. Cet émetteur ne doit pas être co- situé ou fonctionner conjointement avec une autre antenne ou un autre émetteur.

Declaration of conformity CE



For devices with a serial number that begins with a 3.

Hereby, Riio Labs S.A. declares that the radio equipment type Blue Connect Smart Pool Analyser is in compliance with Directive 2014/53/EU. The full text of the EU declaration of conformity is available at the following internet address: www.blueconnect.io/legal

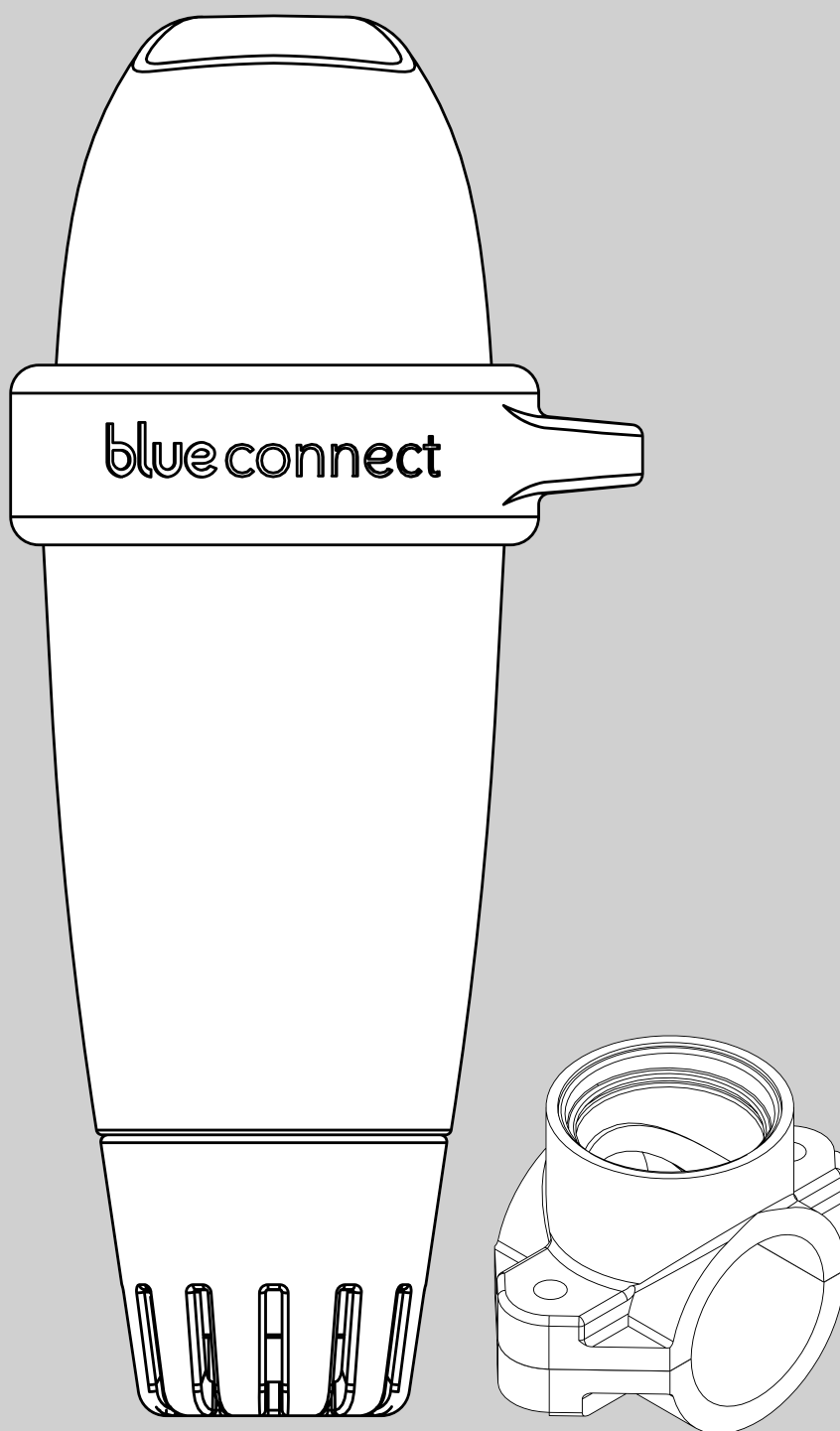
SIGFOX : Tx : 868.13MHz / 14dBm max Rx : 869.525MHz
Bluetooth LE : 2400-2483.5MHz / 10dBm max

Authorized countries codes:

ALB - AND - AUT - BEL - BIH - BLR - BUL - CYP - CZE -
DNK - EST - FIN - GRC - HNG - HOL - HRV - IRL - ISL -
LIE - LTU - LUX - LVA - MDA - MKD - MLT - MNE - NOR -
POL - POR - ROU - SRB - SUI - SVK - SVN - TUR

blue connect blue fit50

MANUAL DE INSTRUÇÕES



blue

Obrigado por ter escolhido o **Blue Connect**.

www.blueconnect.io

Introdução

A. Apresentação

O **Blue Connect** mede continuamente os principais parâmetros da sua piscina (temperatura, pH, ORP/Redox e condutividade). Informa-o igualmente da temperatura exterior e do clima, segundo a sua geolocalização. Os resultados destas análises são-lhe comunicados em seguida através de notificações da aplicação "**Blue Connect**" (disponível para smartphone e tablet, compatível com Android™ e iOS). Caso o aparelho detete que um dos parâmetros está incorreto, um alerta informá-lo-á e dar-lhe-á as indicações a seguir para regular e estabilizar o dito parâmetro, de modo a manter a água sempre salubre e equilibrada.

O **Blue Connect** mede:

- » A temperatura da água (°C, °F): uma temperatura demasiado elevada reduz a eficácia do produto desinfetante e favorece o desenvolvimento de microrganismos;
- » O pH: O pH é a abreviação do potencial padrão do hidrónio. Essa escala de medida mede o carácter ácido ou básico de um meio. O pH faz parte da eficiência de um desinfetante;
- » O ORP / REDOX (medida do cloro ativo em mV) : a medida ORP é representada em mili-volts (mV). A medida recolhida pela sonda ORP do Blue é uma tensão em mili-volts (mV) que representa o carácter mais ou menos oxidante da água da sua piscina;
- » A condutividade¹ (µS): medição da concentração dos sais inorgânicos na água através da capacidade de condução de electricidade desta.

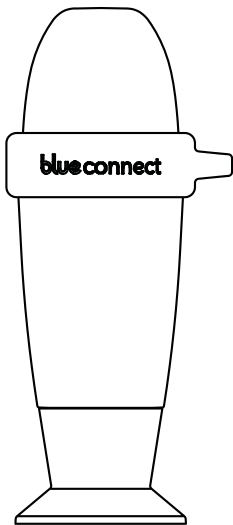
B. Precauções de uso

- » Não use o **Blue Connect** para quaisquer outros fins além da análise da água;
- » O **Blue Connect** não é um brinquedo. Evite os choques, pois podem danificá-lo;
- » Mantenha o **Blue Connect** fora do alcance das crianças enquanto o manuseia (por exemplo, durante a calibração e a espera), visto que o mesmo contém produtos químicos. Guarde os produtos de calibração fora do alcance das crianças;
- » Não abra a parte superior do dispositivo (exceto para substituir a pilha). Siga as instruções de substituição da pilha cuidadosamente. Os danos causados por líquidos não são cobertos pela garantia;
- » Não abra a parte inferior do dispositivo que contém a sonda (exceto para substituir a sonda). Siga as instruções de substituição da sonda cuidadosamente. Os danos causados por líquidos não são cobertos pela garantia;

¹ Nas piscinas tratadas com sal, a salinidade (mais precisamente a taxa total de sal) é medida com base na condutividade. A medida da salinidade informada pelo **Blue** é expressa em gramas por litro (g/L) de TDS (« Total Dissolved Solids »). É uma estimativa da qualidade total das espécies dissolvidas na piscina, baseada na hipótese de que a espécie principal é o cloreto de sódio (NaCl ou sal de cozinha). O cloreto de sódio aumenta a condutividade da água na sua piscina em função da sua concentração. Uma estimativa da taxa de cloreto de sódio baseada na condutividade desviaria sobretudo se os outros sais desconhecidos estiverem presentes na sua piscina. Esse desvio pode ser verificado com o uso de tiras de detecção colorimétrica específicas para o cloreto de sódio.

- » Certifique-se de não deixar a sonda seca sem o suporte de armazenamento cheio com KCl (cloreto de potássio saturado), com solução pH4 ou, em último recurso, água corrente com uma boa dose de sal de cozinha;
- » Não use água desmineralizada para encher o suporte de armazenamento;
- » Certifique-se de que a parte superior do dispositivo está fora da água para permitir que o sistema de comunicação funcione corretamente;
- » Não deixe o **Blue Connect** na água abaixo de 5°C ou acima de 50°C;
- » Guarde o número de série e o código² (key) do seu **Blue Connect**;
- » Não deixe que o **Blue Connect** entre em contato com géis.

Conteúdo da caixa _____



Aparelho **Blue Connect**: vem com o seu suporte de armazenamento para que esteja protegida durante o transporte. A sonda vem imersa em KCl (cloreto de potássio saturado) para garantir a sua proteção.

Suporte de armazenamento: é usado para transportar o dispositivo para fora da água ou para manter o sensor imerso durante longos períodos de armazenamento (no inverno, por exemplo).



Tampa: deve sempre ser colocada no aparelho antes que este seja posto na água. Esta tampa tem como objetivo proteger o sensor de possíveis choques.



Corda: permite fixar o dispositivo a um dado ponto da piscina.



Guia de início rápido: ajuda-o a usar o dispositivo pela primeira vez.

² Na parte de trás do guia de início rápido e na base de armazenamento do **Blue Connect**.

Instalação da aplicação

1. Ative a internet (Wi-Fi ou 4G) e o Bluetooth® no seu smartphone ou tablet.
Nota: fique perto do seu dispositivo durante a ativação do aparelho.



2. Descarregue a aplicação gratuita "**Blue Connect**" na plataforma App Store® ou no Google Play™.



3. Autorize as notificações para poder receber os alertas.

4. Ligue-se à "**Blue Connect**":
 - » através do Facebook®.
 - » do Twitter®.
 - » ou do nosso endereço de e-mail.

5. Defina a sua piscina: insira as características da sua piscina.
Nota: Pode-se sempre modificar as características da piscina ativa em "Definições" » "Minha piscina".

Nota: Para adicionar uma outra piscina à aplicação, toque no nome da piscina ativa e em seguida em "+".

A aplicação é modulada em 4 secções principais³:



Painel: informa sobre o estado do **Blue Connect**, sobre a temperatura da água, sobre o clima local e sobre a qualidade da água da sua piscina.



Tabela de valores: informa-o dos valores exatos medidos pelo **Blue Connect**, sobre as médias e sobre os valores ideais.



Guia de manutenção: aconselha-o sobre como manter a qualidade da água da sua piscina.



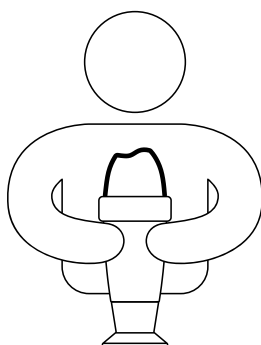
Definições: Permitem-lhe configurar os parâmetros da sua piscina e dos seus dispositivos **Blue**. Permitem-lhe igualmente aceder a assistência ao cliente assistência técnica.

³ A aplicação está sujeita a atualizações e modificações contínuas.

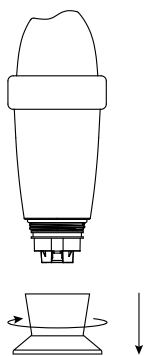
Instalação do Blue Connect

A. Como iniciar o Blue Connect?

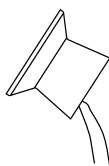
1. Na aplicação, em "Definições" » "Meu **Blue Connect**", pressione "Adicione um **Blue Connect**" e insira o código (key), bem como os três últimos dígitos do número de série (SN) que estão na contracapa do guia de início rápido e no suporte de armazenamento do dispositivo.
2. Para iniciar o dispositivo, ative-o primeiro. A parte superior é facilmente identificável pois tem a forma de uma onda. Coloque a zona oca da onda na sua direção e agite o dispositivo uma única vez, vigorosamente. Este emitirá dois bips, o que significa que a operação foi efetuada com sucesso.



3. Carregue em OK para finalizar a ativação. O aparelho está agora vinculado à sua conta e ligado à rede Sigfox®⁴.
4. Coloque o **Blue Connect** em pé, sobre o suporte de armazenamento, e desenrosque este último.



5. Esvazie o suporte de armazenamento, lave-o com água e guarde-o.

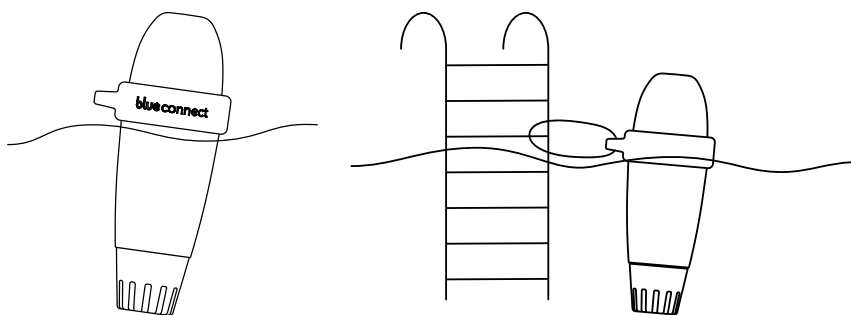


⁴ Sigfox® é uma rede de telecomunicações especializada em Internet das Coisas. Trata-se de uma rede celular de baixo débito que não interfere com a sua rede Wi-Fi doméstica. Pode verificar se a sua piscina se encontra coberta pela Sigfox® através da consulta do mapa atualizado em tempo real pelo operador: www.sigfox.com/coverage. O **Blue Connect** usa o Sigfox® para transferir dados para o seu smartphone.

6. Molhe a sonda em água corrente e coloque a tampa na parte inferior do aparelho para o proteger.



7. Coloque o **Blue Connect** na piscina:
- » Na própria **piscina**: deixe-o flutuar na água. Pode fixá-lo, se necessário. Para tal, prenda-o ao ponto de fixação desejado com a corda, recorrendo ao aro de borracha.
 - » Na **casa das máquinas**, graças ao **Blue Fit50**⁵ (Cfr p.17).



Nota: Verifique se o aparelho está na vertical e que a parte superior está fora da água, de modo a garantir a eficácia da comunicação de dados.

B. Indicações

- » Não deixe a sonda ao ar livre;
- » A rede Sigfox® liga-se automaticamente e envia dados em intervalos regulares;
- » A sonda pode necessitar de algumas horas para estabilizar os parâmetros após a sua primeira imersão na piscina;
- » Caso não tenha cobertura Sigfox®, existem duas alternativas:
 - » O **Blue Connect** funciona com Bluetooth®. Nesse caso, deverá efetuar alguns comandos com o Bluetooth® diariamente para que o aparelho funcione eficazmente;
 - » O **Blue Extender**⁶ permite ao **Blue Connect** de se conectar ao seu Wi-Fi. Para mais informações, visite o nosso sítio ou contacte o seu revendedor.

Assista o nosso vídeo de instruções sobre o **Blue Connect** em www.blueconnect.io (Assistência).

⁵ O **Blue Fit50** é um acessório do **Blue Connect**. Está disponível com o pacote **Blue Connect Plus**, sendo também vendido separadamente.

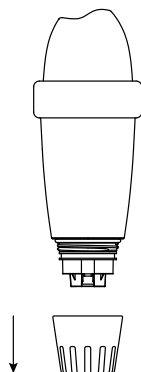
⁶ Vendido à parte.

Manutenção do Blue Connect

A. Calibração

Nota: Não é necessário calibrar o aparelho aquando da sua receção. É necessário, de forma geral, calibrar uma ou duas vezes por estação. Utilize o kit de calibragem previsto especialmente para o Blue Connect ou as soluções de calibragem padrão disponíveis nas lojas de material para piscina. Os produtos de calibração destinam-se a uma única utilização. Nunca os reutilize.

1. Tire o aparelho da água, retire a tampa e enxague a sonda em água corrente.



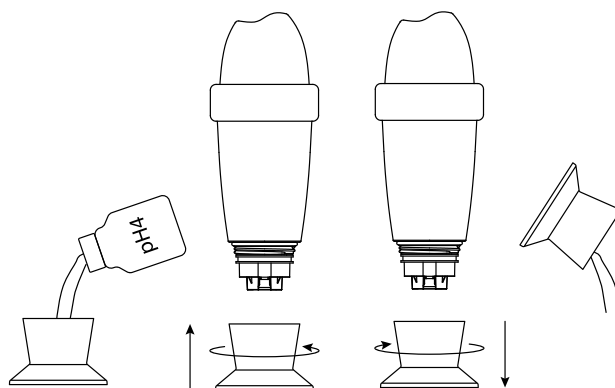
2. Limpe o suporte de armazenamento com água e seque-o.

3. Ative a Internet (Wi-Fi ou 4G) e o Bluetooth® no seu smartphone.
Nota: não se afaste do seu aparelho durante o processo de calibração.



4. Na aplicação, em "Definições" » "Meu **Blue Connect**" » "Parâmetro da sonda" escolha "Calibrar o **Blue Connect**" e seguir as etapas no aplicativo. Caso tenha escolha entre vários produtos, selecione a solução de calibragem à ser utilizada.

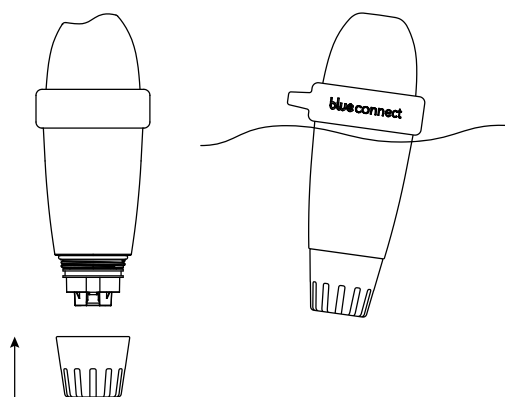
5. Coloque a solução de calibragem no suporte de armazenamento e enrosque-o no aparelho. De seguida, clique em "seguinte". Poderá ver, na parte superior da tela, a progressão da medida. Uma vez terminada a medida, desenrosque o suporte de armazenamento e enxague a sonda em água corrente. Esvazie o suporte de armazenamento, passe-o por água⁷ e seque-o.



⁷ Deverá sempre limpar a sonda com água limpa após utilização de produtos de calibração, de forma a evitar as misturas.

6. Valide a calibração.

7. Coloque a tampa e volte a colocar o **Blue Connect** na piscina.

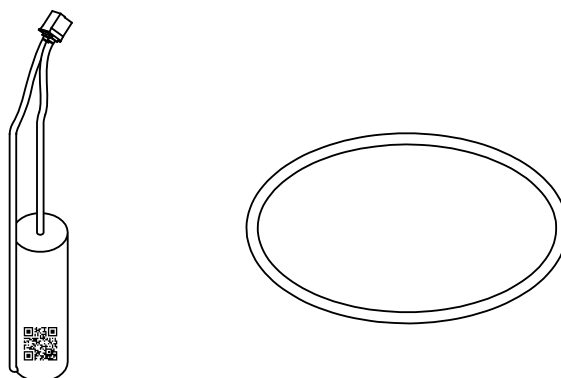


B. Substituição da pilha

Deverá substituir a pilha a cada dois anos. Poderá obter uma nova pilha junto ao seu revendedor.

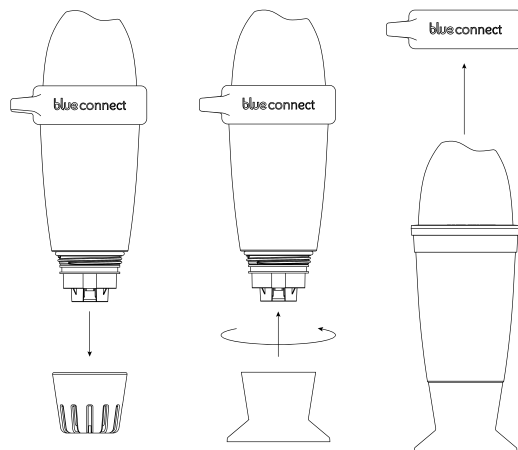
Nota: Para garantir a longevidade da pilha, ponha o **Blue Connect** em standby durante o inverno, quando não utilizar a sua piscina (Cfr p.14).

Conteúdo da caixa:



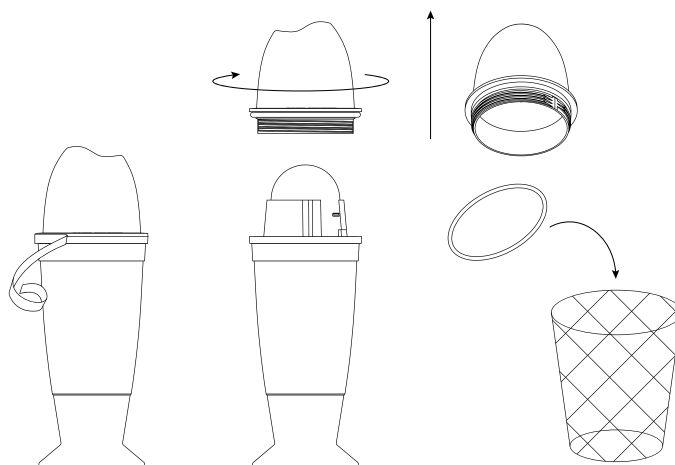
Instalação:

1. Em "Definições" » "Meu **Blue Connect**", carregue em "Substituição da pilha".
2. Retire o aparelho da água, retire a junta de borracha e a tampa. Coloque o **Blue Connect** no seu suporte de armazenamento.

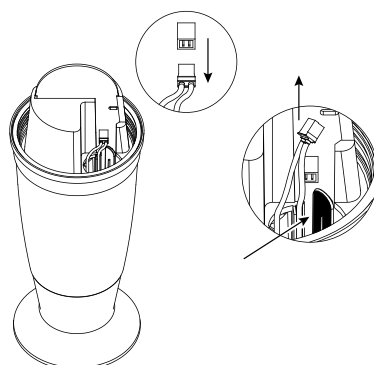


3. Seque o aparelho e comece o procedimento num local seco e limpo.

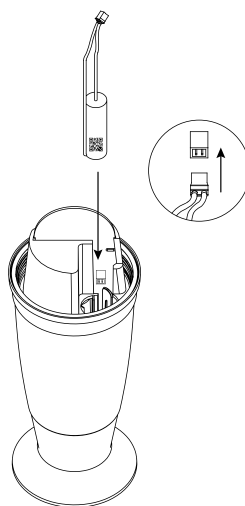
4. Retire a fita adesiva e desenrosque a parte superior do aparelho. O filete da rosca é à esquerda: deverá assim desenroscá-lo no sentido das agulhas do relógio. Retire a junta e jogue-a fora.



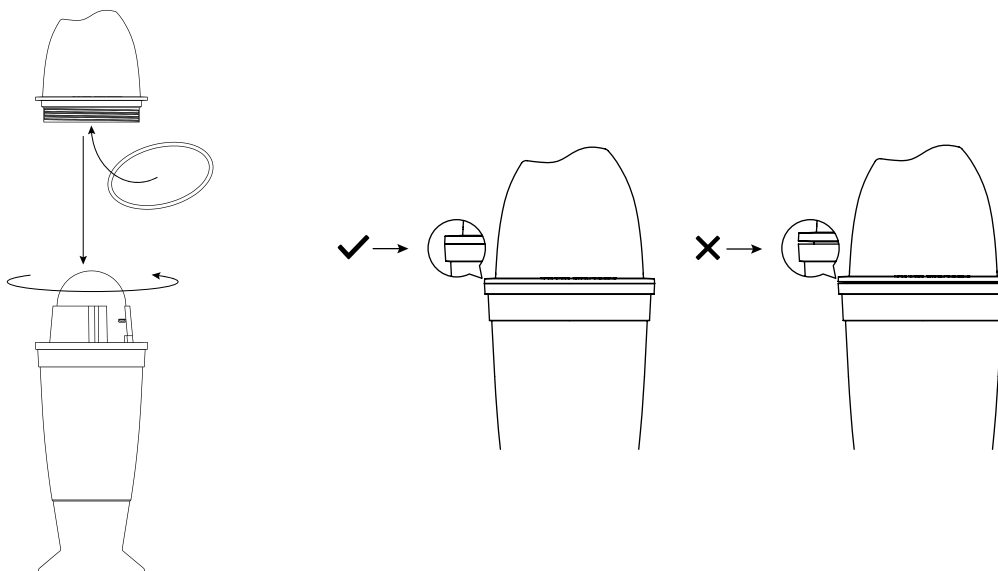
5. Desligue o conector branco, puxando o cabo preto e vermelho. A pilha encontra-se no outro extremo do cabo. Pressione a haste plástica para desbloquear a pilha. Retire-a, puxando o cabo.



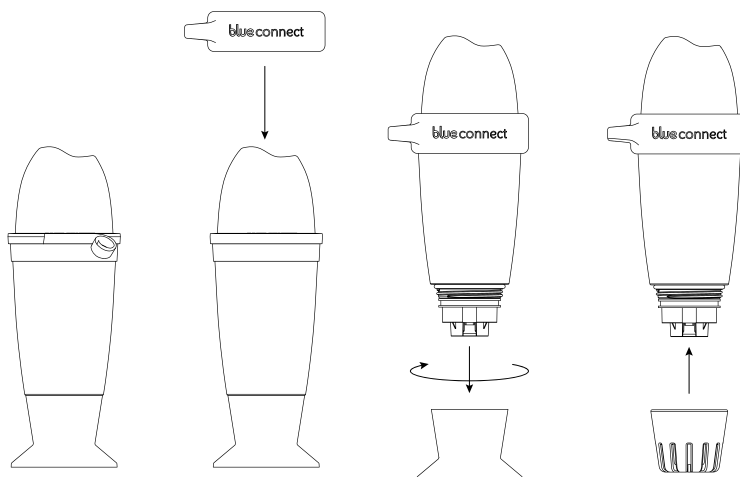
6. Coloque a nova bateria no fundo da cavidade até a bloquear. Em seguida, ligue o conector.



7. Coloque a nova junta que vem com a pilha nas filetas da rosca da parte superior do aparelho. Feche a parte superior. O filete da rosca é à esquerda: deverá assim enroscá-lo em sentido contrário aos ponteiros do relógio.



8. Volte a colocar a junta. Coloque a tampa e volte a colocar o **Blue Connect** na piscina.

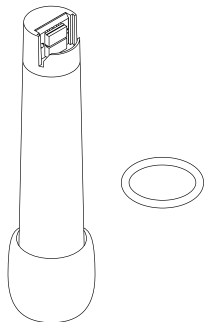


C. Substituição da sonda

A sonda deverá ser substituída a cada dois anos⁸. Poderá obter uma nova sonda junto do seu revendedor.

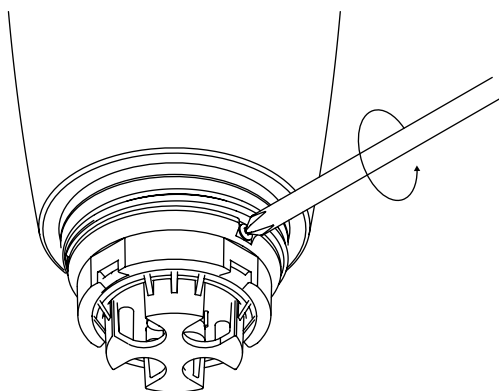
Nota: Para garantir a longevidade da sonda, conserve-a sempre que possível num ambiente húmido. Se retirar o aparelho da água, enrosque-o no suporte de armazenamento com KCl (cloreto de potássio saturado), com uma solução de pH4, ou, em último recurso, água corrente com uma boa dose de sal de cozinha.

Conteúdo da caixa:



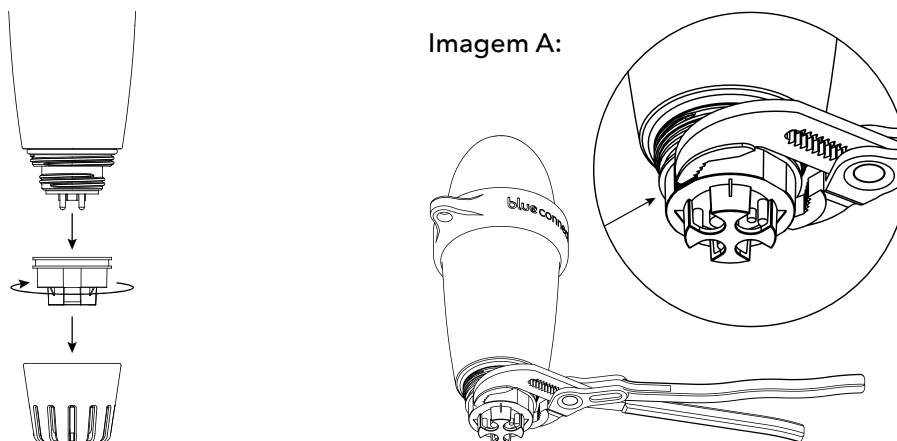
Instalação:

1. Na aplicação, em "Definições" » " Meu **Blue Connect**" » " Parâmetro da sonda", carregue em "Substituição da sonda".
2. Tire o **Blue Connect** da água, retire a tampa de uso e comece o procedimento em um local seco e limpo.
3. Enxague o **Blue Connect** com um pano limpo e absorvente, proceda com cuidado, seque completamente a parte inferior do produto (onde se encontra a sonda) sem encostar nos sensores.
4. Utilise uma chave de fenda para soltar o parafuso que está preso na porca.

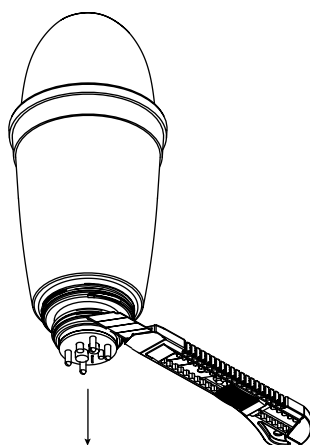


⁸ Nunca deixe a sonda em seca, sem o suporte de armazenamento preenchido com KCl (cloreto de potássio saturado, com pH4 ou, em último recurso, água corrente com uma boa dose de sal de cozinha.

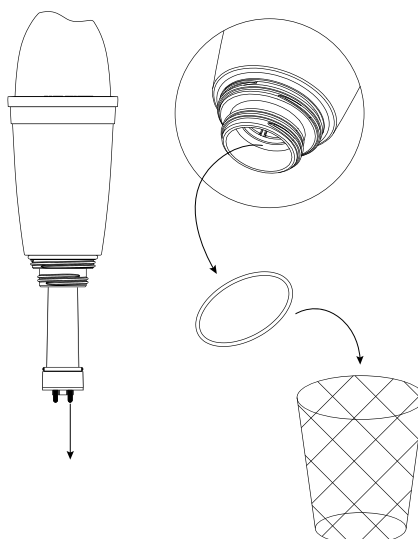
5. Solte a porca com a ajuda de um pano. Se tiver dificuldade em desenroscar a porca, use um alicate extensível, colocando-a à direita deste ponto exato (Imagem A).



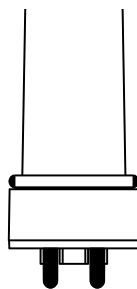
6. Utilize uma faca ou um cortador (ou as unhas) para desbloquear a sonda.



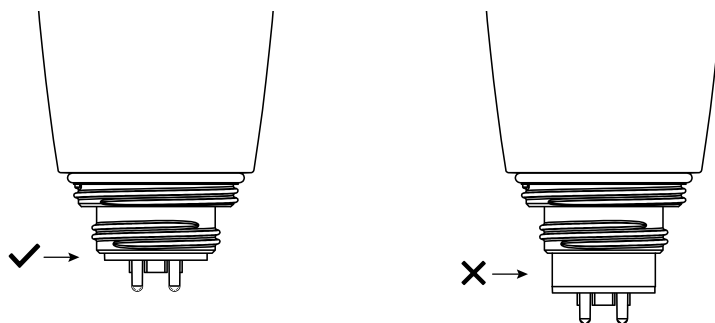
7. Retire a sonda com cuidado, mantenha o **Blue Connect** na posição vertical (com a parte superior do aparelho virada para cima e a parte inferior virada para baixo) para que os resíduos de água não entrem no produto. Retire a junta e jogue-a fora. Verifique que esta não se encontra presa dentro do aparelho.



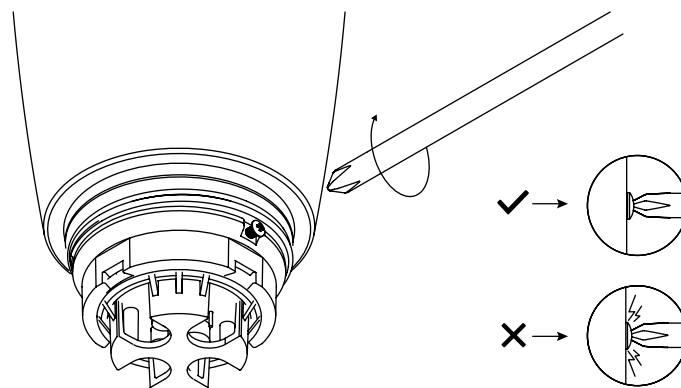
8. Enxague todo resíduo de água, no nível da abertura do **Blue Connect** e no interior da abertura, com um pano.
9. Pegue a nova sonda, escaneie o seu código e tire a tampa de proteção. Não deixe cair a sonda, pois trata-se de um componente extremamente frágil.
10. Enxague a parte de plástico preto da nova sonda, caso seja necessário. A sonda deve estar completamente seca.
NB: Verifique que os contatos dourados da parte superior da sonda estejam limpos (brilhantes) e secos. Caso contrário, limpe com uma haste flexível embebida em álcool de uso doméstico.
11. Coloque a nova junta que vem com a recarga.



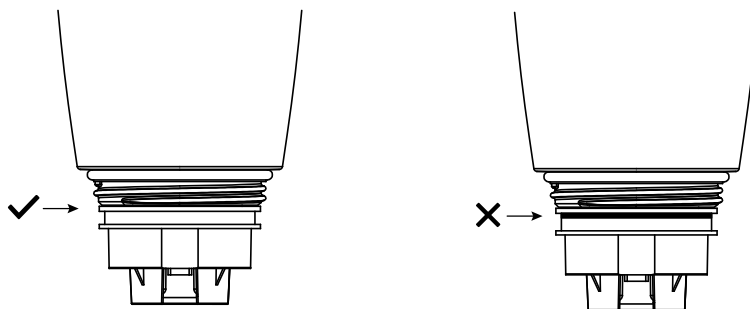
12. Insira a sonda e gire até que esta esteja corretamente instalada. Serão emitidos três bips no espaço de 15 segundos.



13. Utilize uma chave de fenda para fixar o parafuso (de forma firme mas sem forçar) na porca.



- 14.** Enrosque a porca no aparelho. Se necessário utilize um pano para enroscar completamente a porca, para proteger a mão. Coloque a tampa e volte a colocar o **Blue Connect** na piscina.

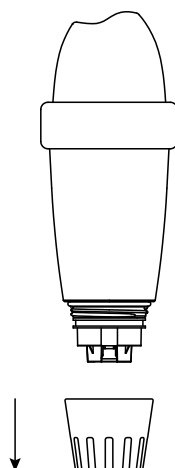


Nota: A sonda pode necessitar de algumas horas para estabilizar os parâmetros após a sua primeira imersão na piscina.

D. Colocar o Blue Connect em standby durante o inverno/armazenamento

Inverno:

- 1.** Retire o aparelho da água. Retire a tampa.

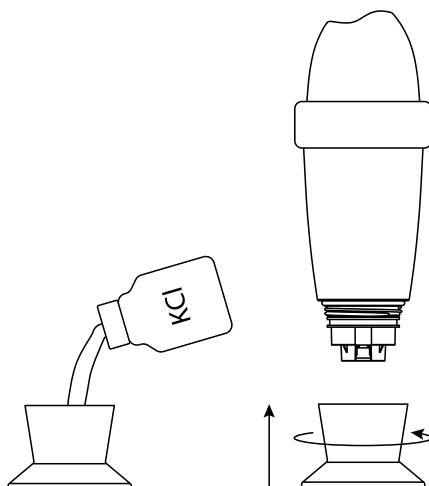


- 2.** Ative a Internet (Wi-Fi ou 4G) e o Bluetooth® no seu smartphone.
Nota: mantenha-se perto do aparelho durante o seu processo de colocação em standby.



- 3.** Na aplicação, em "Definições" » "Meu **Blue Connect**", carregue em "Coloque **Blue Connect** em espera".

4. Lave o suporte de armazenamento com água corrente e seque-o. Coloque o KCl⁹ (cloreto de potássio saturado) ou a solução pH4 no suporte de armazenamento e enrosque-o.



5. Valide a colocação em standby e guarde o **Blue Connect** de forma a que este não contacte com qualquer tipo de gel.

Armazenamento:

Se tiver que retirar o **Blue Connect** da água, coloque-o no seu suporte de armazenamento com KCl (cloreto de potássio saturado), com solução pH4 ou, em último recurso, água corrente com uma boa dose de sal de cozinha. Note que a sonda não pode ficar em secar.

E. Ativação após o inverno

1. Vá A "Definições" » "Meu **Blue Connect**" e carregue em "Ative o **Blue Connect**".
2. Veja a rubrica "Instalação do **Blue Connect**" a partir do ponto 2.

⁹ O KCl presente no suporte de armazenamento pode provocar a formação de sais, que se aglomeram ao nível da junta que o liga ao corpo do aparelho. Estes sais não são perigosos. Para os eliminar, passe-os por água limpa.

Características técnicas

- » Dimensões: 253 mm x 96 mm
- » Peso: 714 g
- » Grau de proteção: Norma IPx8
- » Sensores e medidas:
 - pH: Faixa de medida: 0 a 14
 - Precisão: $\pm 0,1$
 - Resolução: 0,1
 - Temperatura (água): Faixa de medida: 5 a 50°C
 - Precisão: $\pm 0,2^{\circ}\text{C}$
 - Resolução: $0,1^{\circ}\text{C}$
 - Redox/ORP (cloro ativo): Faixa de medição: 0 a 999 mV
 - Precisão: $\pm 20\text{mV}$
 - Resolução: 1 mV

 - Condutividade: Faixa de medição: 250 a 15.000 $\mu\text{S}/\text{cm}$
 - Precisão: $\pm 10\%$
 - Resolução: 1 $\mu\text{S}/\text{cm}$
- » Conectividade: Sigfox®, Bluetooth Low Energy® (BLE)
- » Fonte de alimentação: 1 pilha de lítio (cloreto de tionilo)
- » Tensão nominal: 3,6 V
- » Sistema operativo: iOS, Android™ (4.0 Bluetooth®, Android™ 4.3 e iOS 9.0)
- » Idiomas: Inglês, Francês, Espanhol, Holandês, Alemão, Italiano, Português, Tcheco, Sueco, Catalão.
- » Compatibilidade territorial: EU: 868 MHz
US / AU: 902/920 MHz

blue fit50

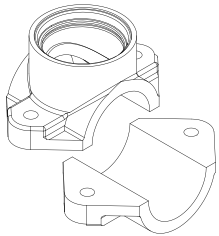
Introdução

A. Apresentação

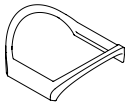
O **Blue Fit50** é uma abraçadeira compatível com o **Blue Connect** que permite a sua instalação na casa das máquinas.

Nota: O **Blue Fit50** é um acessório do **Blue Connect**. Está disponível com o pacote **Blue Connect Plus**, sendo também vendido separadamente.

B. Conteúdo da caixa



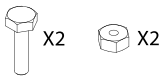
Tomada de carga 50mm (EU) ou 60mm (US/AU).



A junta de vedação (está dentro da tomada de carga).



Tampa.



2 parafusos.

C. Precauções

- » Não deixe o **Blue Connect** sobre o **Blue Fit50** quando não há água nos canos;
- » Em caso de intervenção no circuito hidráulicos, aconselha-se que retire o **Blue Connect** para evitar qualquer dano (risco de golpe de aríete);
- » Certifique-se que o fluxo da instalação é suficiente para que a análise do **Blue Connect** seja possível;
- » Coloque sempre o **Blue Connect** na vertical, com a sonda virada para baixo.
- » **Blue Fit50** não pode ser fixado em cabos flexíveis.
- » **Blue Fit50** resiste a uma pressão máxima de 3 bars.
- » **Blue Fit50** é utilizado em um cabo de 50 mm na Europe e em um cabo de 60mm nos Estados Unidos e na Austrália.

Instalação do Blue Fit50

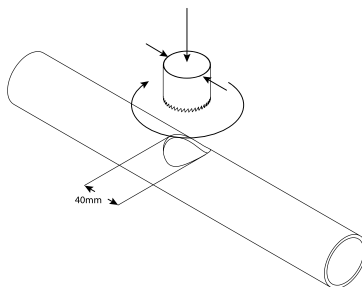
Nota: Se tiver dúvidas, entre em contato com um profissional.

A. Posição correta

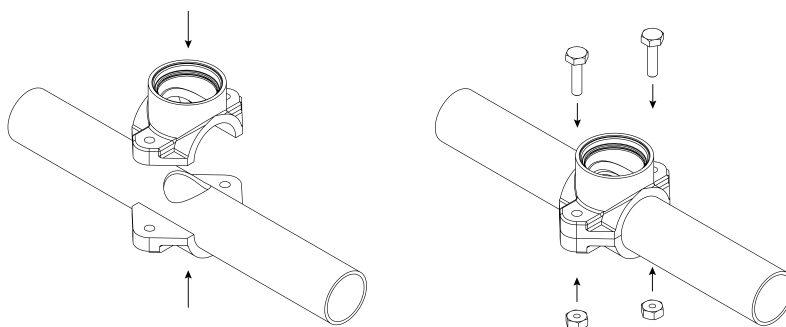
Coloque sempre o **BlueFit50** após o filtro (para evitar danificar as sondas) e antes do sistema de injeção do produto de eletrólise (para não influir sobre o sistema de análise do **Blue Connect**).

B. Instalação

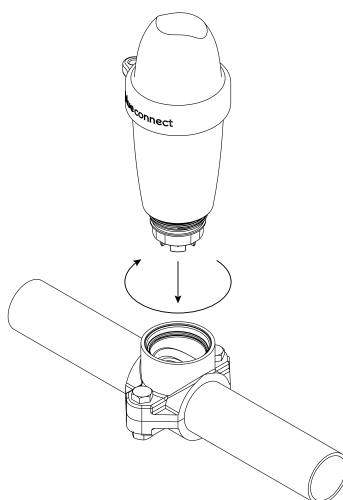
1. Pare o sistema de filtragem.
2. Faça um furo com uma serra de orifícios de 40 mm de diâmetro na parte superior do tubo. Note que o **Blue Connect** deve ser colocado em posição vertical, com a sonda virada para baixo.



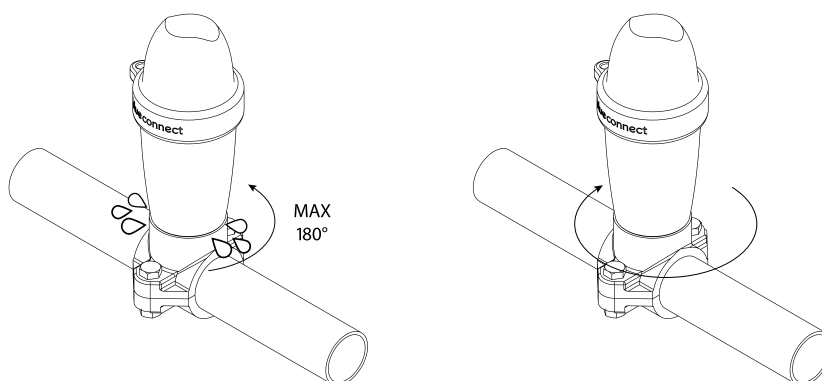
3. Coloque as duas partes da abraçadeira de ambos os lados do cano, de forma a que os furos coincidam e aparafuse.



4. Aparafuse o **Blue Connect**.



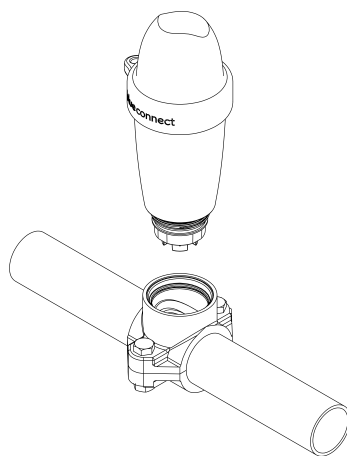
5. Ative o sistema de filtragem.
6. Desenrosque ligeira e cuidadosamente o **Blue Connect** (no máximo meia volta), de forma a retirar o ar. Quando começar a sair água, significa que não há mais ar nos canos - aí sim, pode-se completa e firmemente o **Blue Connect**.



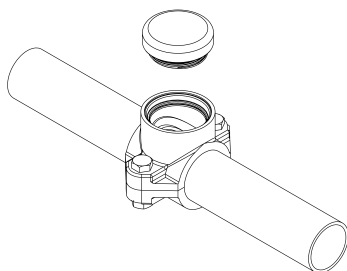
7. Na aplicação, em "Definições" » "Meu **Blue Connect**" » "Localização", ative a opção **Blue Fit50**.

Procedimento para hibernação

1. Desenrosque o **Blue Connect**.



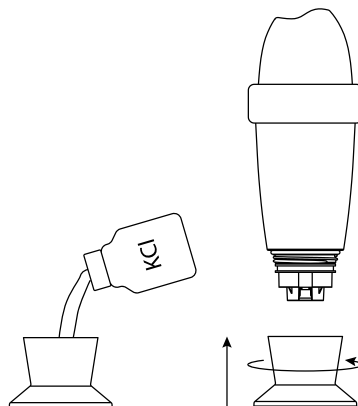
2. Guarde a abraçadeira, junto com a tampa fornecida, na caixa do **Blue Fit50**.



3. Ative a Internet (Wi-Fi ou 4G) e o Bluetooth® no seu smartphone.
- Nota:** não se afaste do aparelho até ao fim do processo de colocação em hibernação.



4. Na aplicação, em "Definições" » "Meu **Blue Connect**", escolha "Coloque **Blue Connect** em espera".
5. Molhe o suporte de armazenamento em água corrente e seque-o. Coloque o KCl¹⁰ (cloreto de potássio saturado) ou a solução pH4 no suporte de armazenamento e enrosque-o.



6. Valide a hibernação e guarde o **Blue Connect** ao abrigo dos géis.



Visite o nosso sítio de apoio online para beneficiar de ajuda à distância: www.blueconnect.io (Assistência).

Informações gerais

Garantias

- » Garantia do produto + sondas: 24 meses.
- » Garantia da bateria: 12 meses.

Riiot Labs não propõe qualquer garantia contra a danificação do equipamento na sequência da manipulação do mesmo, nomeadamente quando for substituída a sonda e a pilha. O mesmo se aplica aos danos causados pela secura da sonda, pelo envelhecimento normal do produto, por acidentes ou uso inadequado. Riiot Labs não propõe qualquer garantia em caso de desrespeito das instruções de utilização.

Como reciclar o produto



Este símbolo indica o produto deverá ser eliminado em conformidade com os requisitos legais em vigor e separado do lixo doméstico. Quando produto chegar ao fim da sua vida útil, deverá deixá-lo num dos pontos de recolha designados. Ao triar e a reciclar este produto contribui para a proteção das reservas de matérias-primas e respeita as disposições relativas à proteção e à salubridade do meio ambiente no âmbito da reciclagem.

¹⁰ O KCl presente no suporte de armazenamento pode provocar a formação de sais na zona das juntas. Estes sais não são perigosos. Para os eliminar, lave o aparelho em água corrente.

Marca registrada

Riiot Labs, **Blue Connect** e **Blue Fit50**, tal como os logos respetivos, são marcas registradas da Riiot Labs S.A.

Fluidra, tal como os seus logos, é uma marca registrada de Fluidra S.A.

A marca Bluetooth® (e o seu logo) é uma marca registrada pertencente à Bluetooth SIG, Inc. A sua utilização pela **Blue Connect** está sujeita a autorização.

A AppStore é uma marca de serviços Apple, Inc., registrada nos Estados Unidos e em outros países.

A iOS é uma marca comercial da Cisco registrada nos Estados Unidos e em outros países, sendo a sua utilização sujeita a autorização.

A Google Play e a Android são marcas da Google Inc.

Todas as marcas de comércio e marcas registradas mencionadas no presente documento são protegidas pelos respetivos direitos de autor e são propriedade dos respetivos donos.

Declaração de conformidade



Para obter um exemplar da declaração FCC, CE de conformidade, visite o nosso sítio www.blueconnect.io/legal.

Para mais informações, consulte o nosso website www.blueconnect.io (rubrica Assistência).

Declaration of conformity FCC

Changes or modifications not expressly approved by Riio Labs SA could void the user's authority to operate the equipment.

For devices with a serial number that begins with a 4.

FCC Part 15 compliance statement

This device complies with part 15 of the FCC Rules. Operation is subject to the following two conditions: (1) This device may not cause harmful interference, and (2) this device must accept any interference received, including interference that may cause undesired operation. NOTE: This equipment has been tested and found to comply with the limits for a Class B digital device, pursuant to part 15 of the FCC Rules. These limits are designed to provide reasonable protection against harmful interference in a residential installation. This equipment generates uses and can radiate radio frequency energy and, if not installed and used in accordance with the instruction, may cause harmful interference to radio communications. However, there is no guarantee that interference will not occur in a particular installation. If this equipment does cause harmful interference to radio or television reception which can be determined by turning the equipment off and on, the user is encouraged to try to correct interference by one or more of the following measures: - Reorient or relocate the receiving antenna. - Increase the separation between the equipment and receiver. - Connect the equipment into an outlet on circuit different from that to which the receiver is connected. - Consult the dealer or an experienced radio/TV technician for help.

Industry Canada Licence-Exempt Radio Apparatus

This device complies with Industry Canada licence-exempt RSS standard(s). Operation is subject to the following two conditions: (1) this device may not cause interference, and (2) this device must accept any interference, including interference that may cause undesired operation of the device.

Le présent appareil est conforme aux CNR d'Industrie Canada applicables aux appareils radio exempts de licence. L'exploitation est autorisée aux deux conditions suivantes : (1) l'appareil ne doit pas produire de brouillage, et (2) l'utilisateur de l'appareil doit accepter tout brouillage radioélectrique subi, même si le brouillage est susceptible d'en compromettre le fonctionnement.

Radio Frequency (RF) Exposure Compliance of Radiocommunication Apparatus

To satisfy FCC and IC RF Exposure requirements for mobile devices, a separation distance of 20 cm or more should be maintained between the antenna of this device and persons during operation. To ensure compliance, operation at closer than this distance is not recommended. This transmitter must not be co-located or operating in conjunction with any other antenna or transmitter.

Conformité à l'exposition aux champs RF des équipements radio

Pour satisfaire aux exigences FCC et IC concernant l'exposition aux champs RF pour les appareils mobile, une distance de séparation de 20 cm ou plus doit être maintenu entre l'antenne de ce dispositif et les personnes pendant le fonctionnement. Pour assurer la conformité, il est déconseillé d'utiliser cet équipement à une distance inférieure. Cet émetteur ne doit pas être co- situé ou fonctionner conjointement avec une autre antenne ou un autre émetteur.

Declaration of conformity CE



For devices with a serial number that begins with a 3.

Hereby, Riio Labs S.A. declares that the radio equipment type Blue Connect Smart Pool Analyser is in compliance with Directive 2014/53/EU. The full text of the EU declaration of conformity is available at the following internet address: **www.blueconnect.io/legal**

SIGFOX : Tx : 868.13MHz / 14dBm max Rx : 869.525MHz
Bluetooth LE : 2400-2483.5MHz / 10dBm max

Authorized countries codes:

ALB - AND - AUT - BEL - BIH - BLR - BUL - CYP - CZE -
DNK - EST - FIN - GRC - HNG - HOL - HRV - IRL - ISL -
LIE - LTU - LUX - LVA - MDA - MKD - MLT - MNE - NOR -
POL - POR - ROU - SRB - SUI - SVK - SVN - TUR