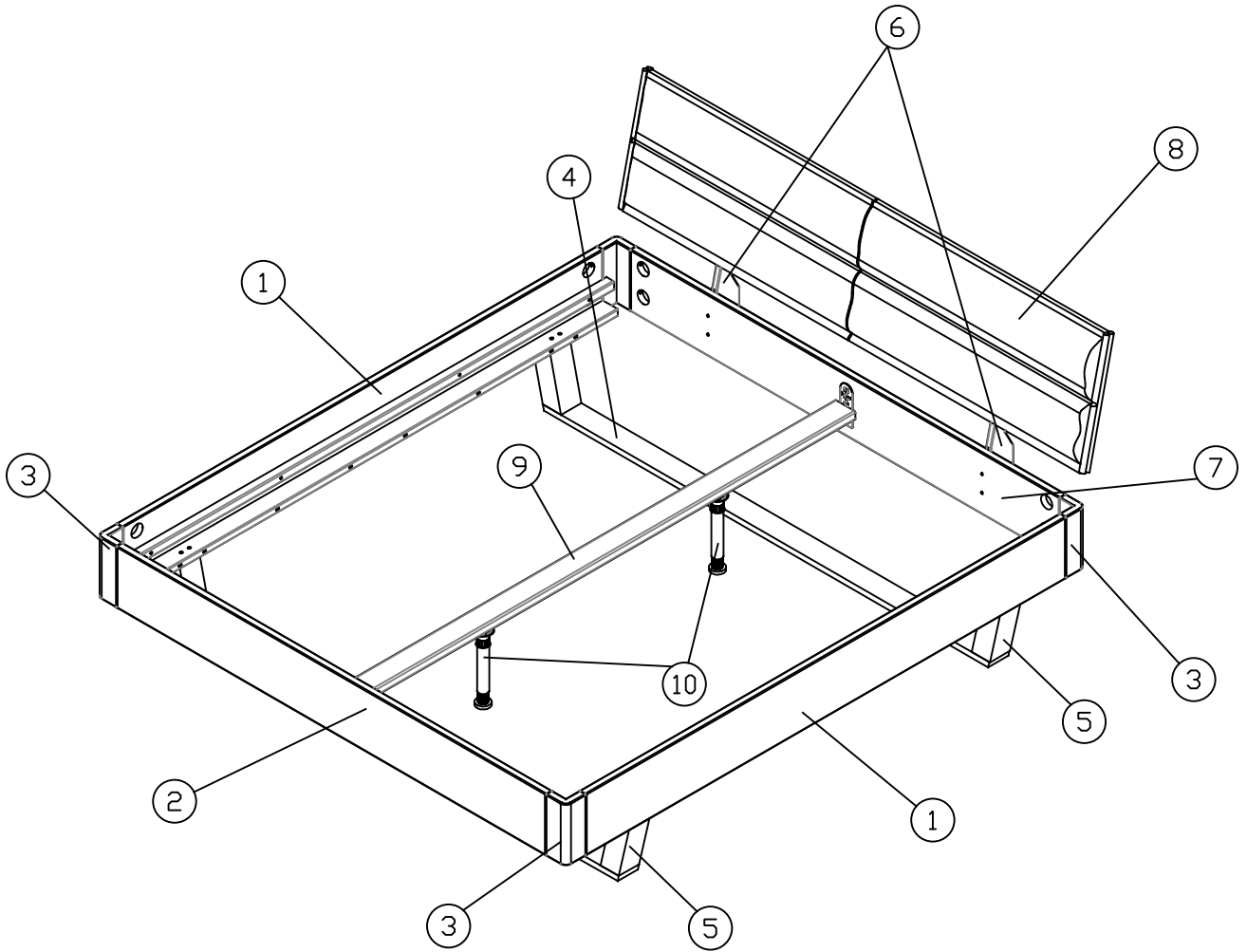



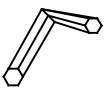






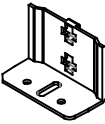


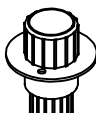
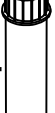
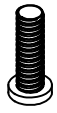




TJARK

22-781-07
22-782-07
22-781-19
22-782-19

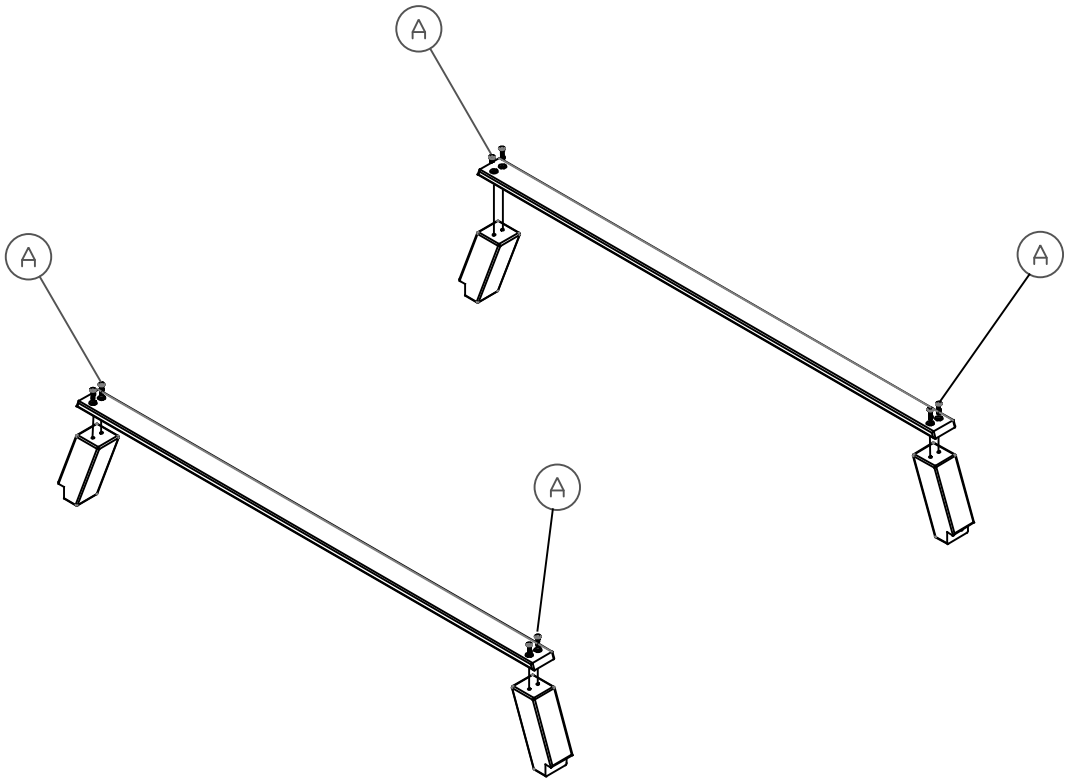
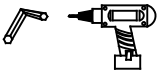


40 Minutes



M6x40  A x 8	SW 4 	M6x50  B x 8	SW 5 	M6x50  C x 16	 D x 16	10x40  E x 24	 F x 2	 G x 2	3,5x16  H x 20
 I x 2	 J x 2	 K x 2	 L x 2	M6,3x60  M x 4	M6x65  N x 4	7x50  O x 8	8x32  P x 4		

1.

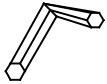


M6x40

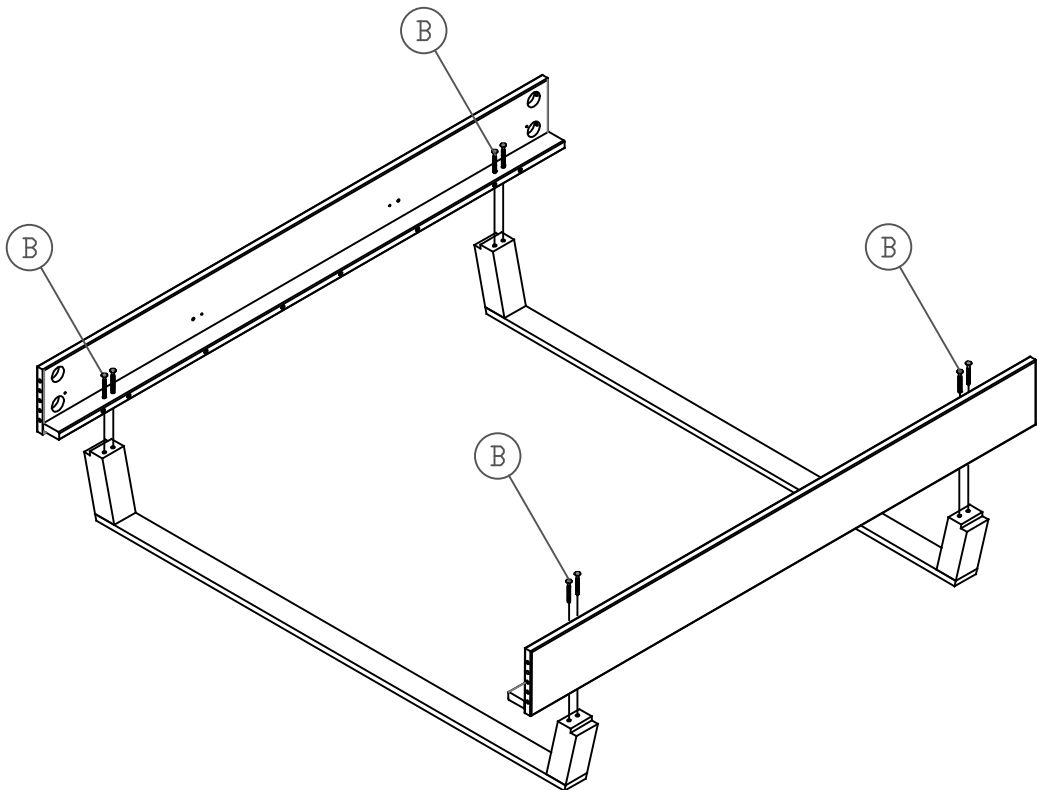
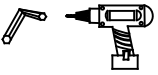


Ax8

SW 4



2.

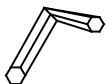


M6x50

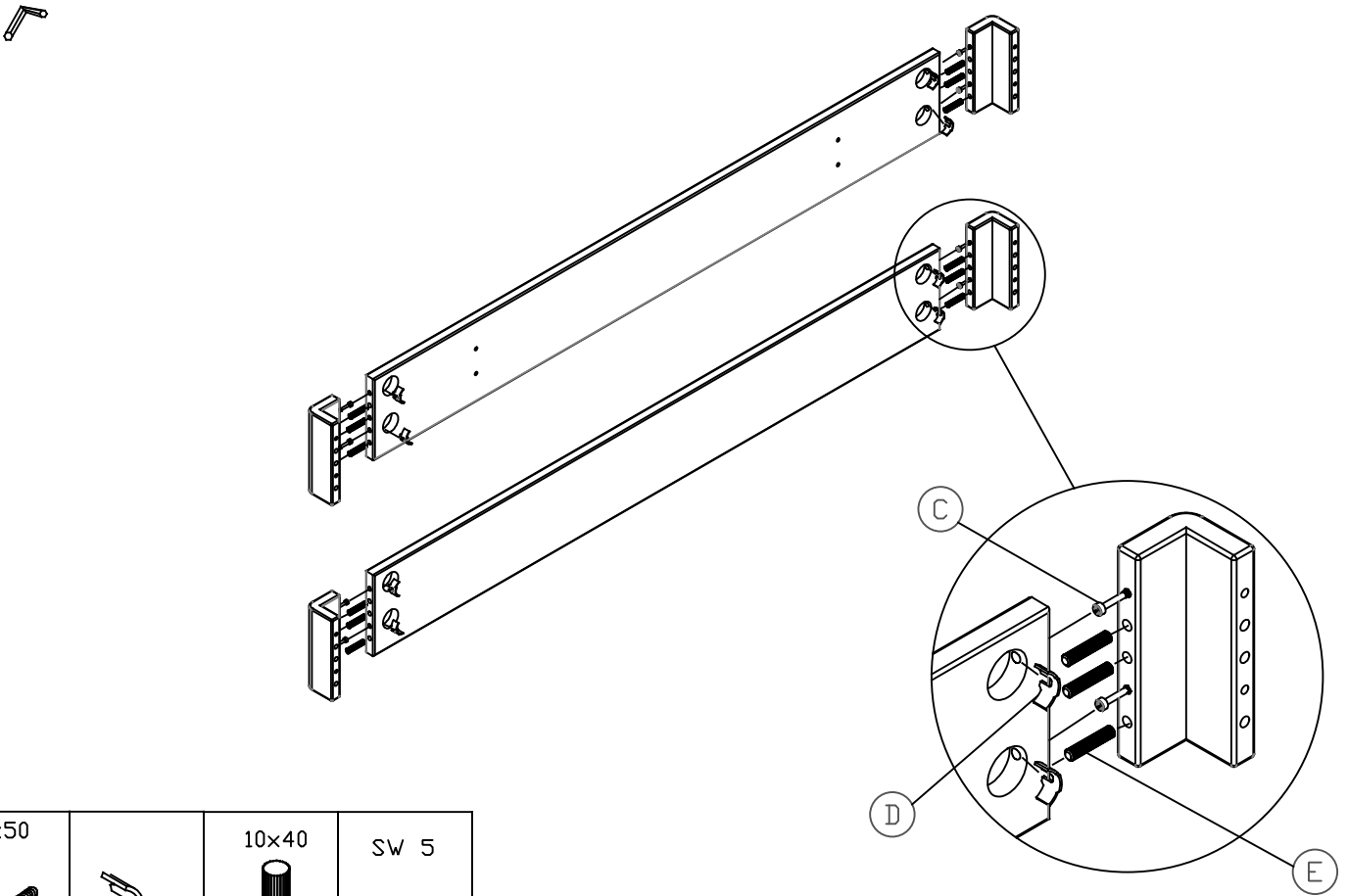


Bx8

SW 4



3.



M6x50



Cx8



Dx8

10x40

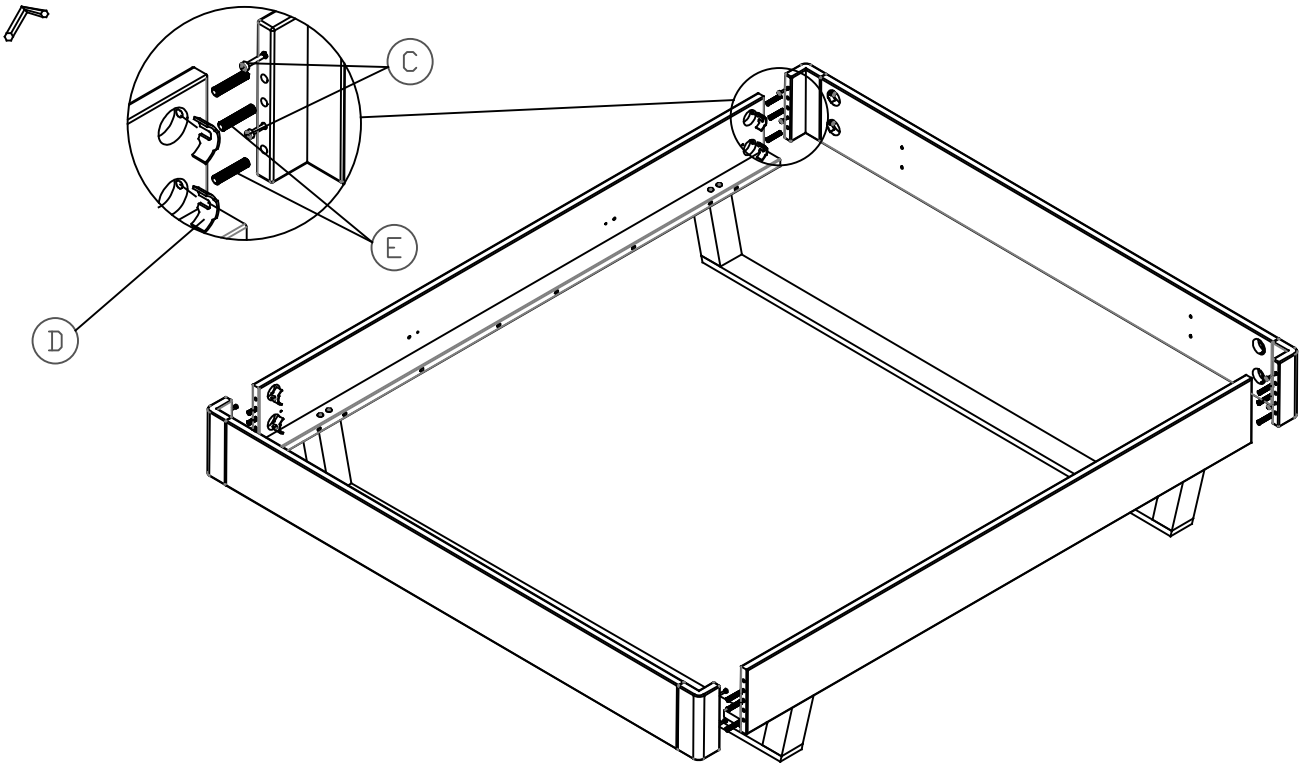


Ex12

SW 5



4.



M6x50



Cx8



Dx8

10x40

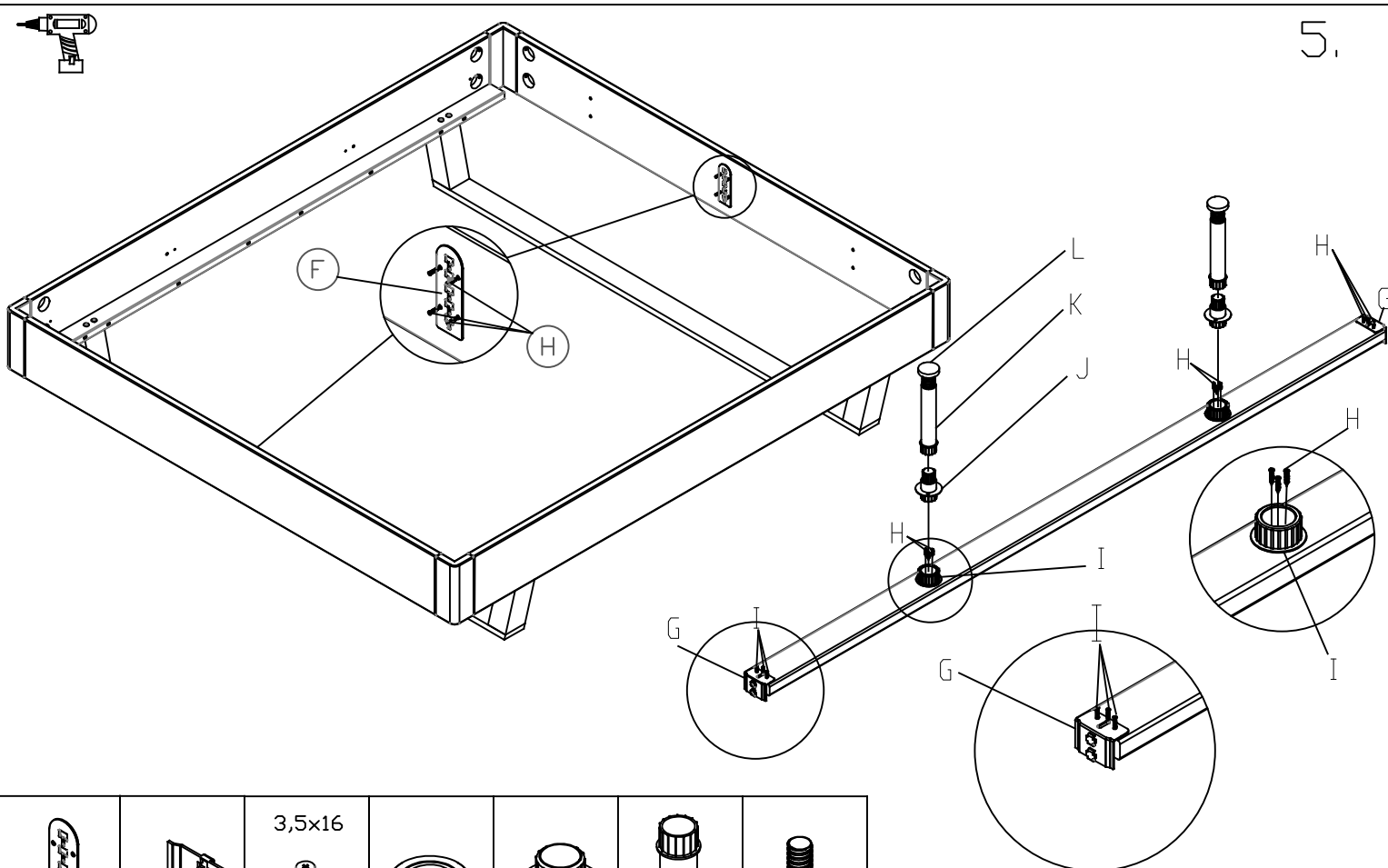


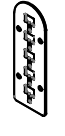
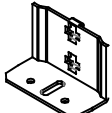


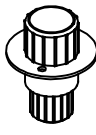


Ex12

SW 5

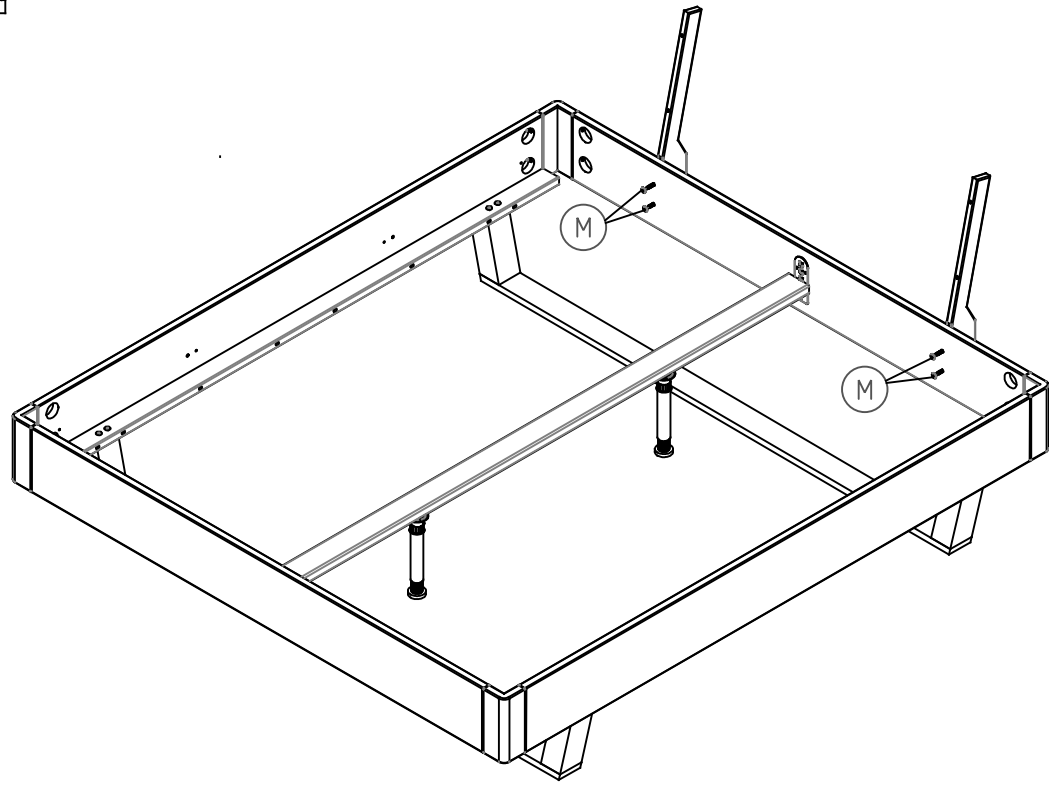
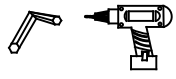




5.

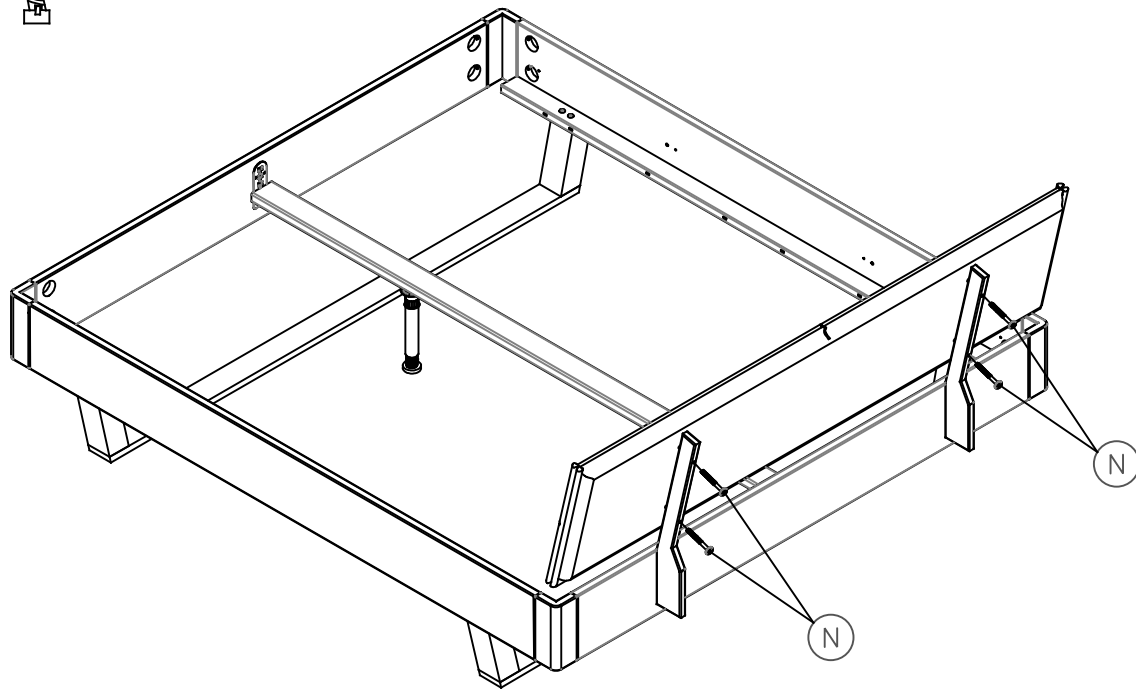
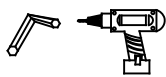


		3,5x16 				
Fx2	Gx2	Hx20	Ix2	Jx2	Kx2	Lx2

6.



M6,3x60 	SW 4 
Mx4	

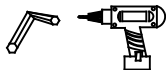


M6x65

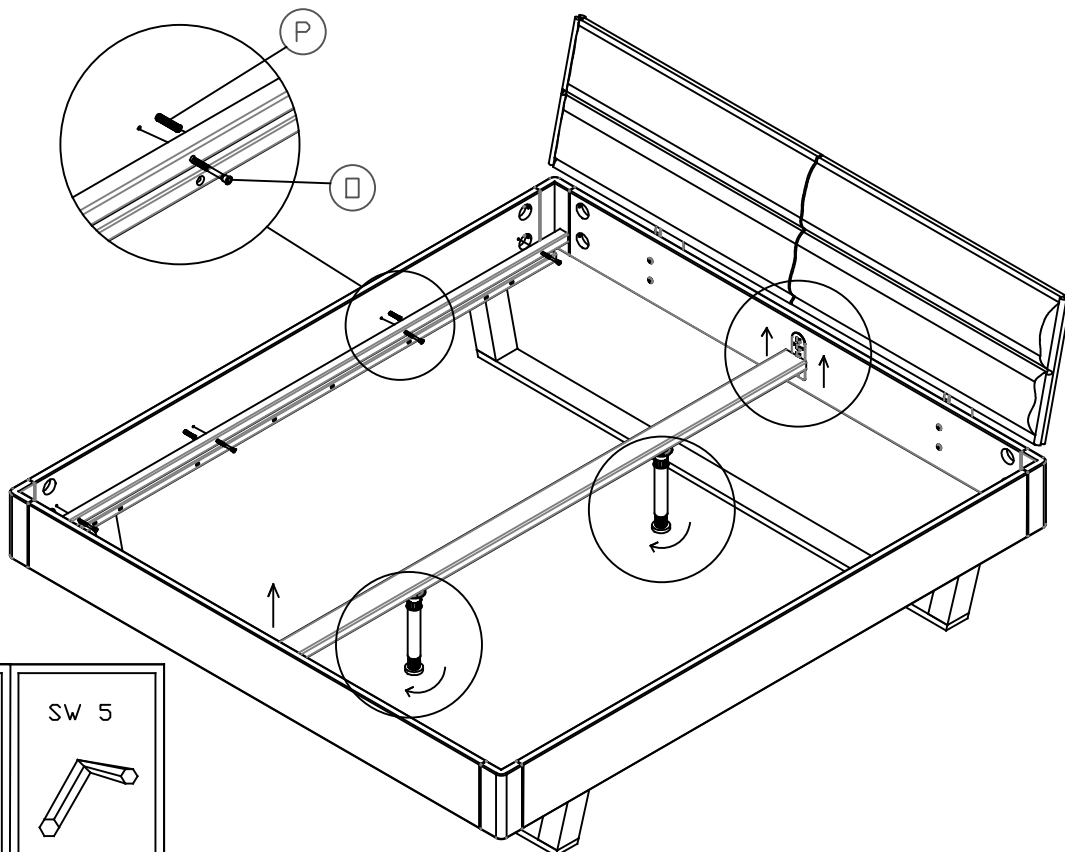
SW 4



Nx4



height adjustment for the mattress



7x50

8x32

SW 5



Qx8

Px4