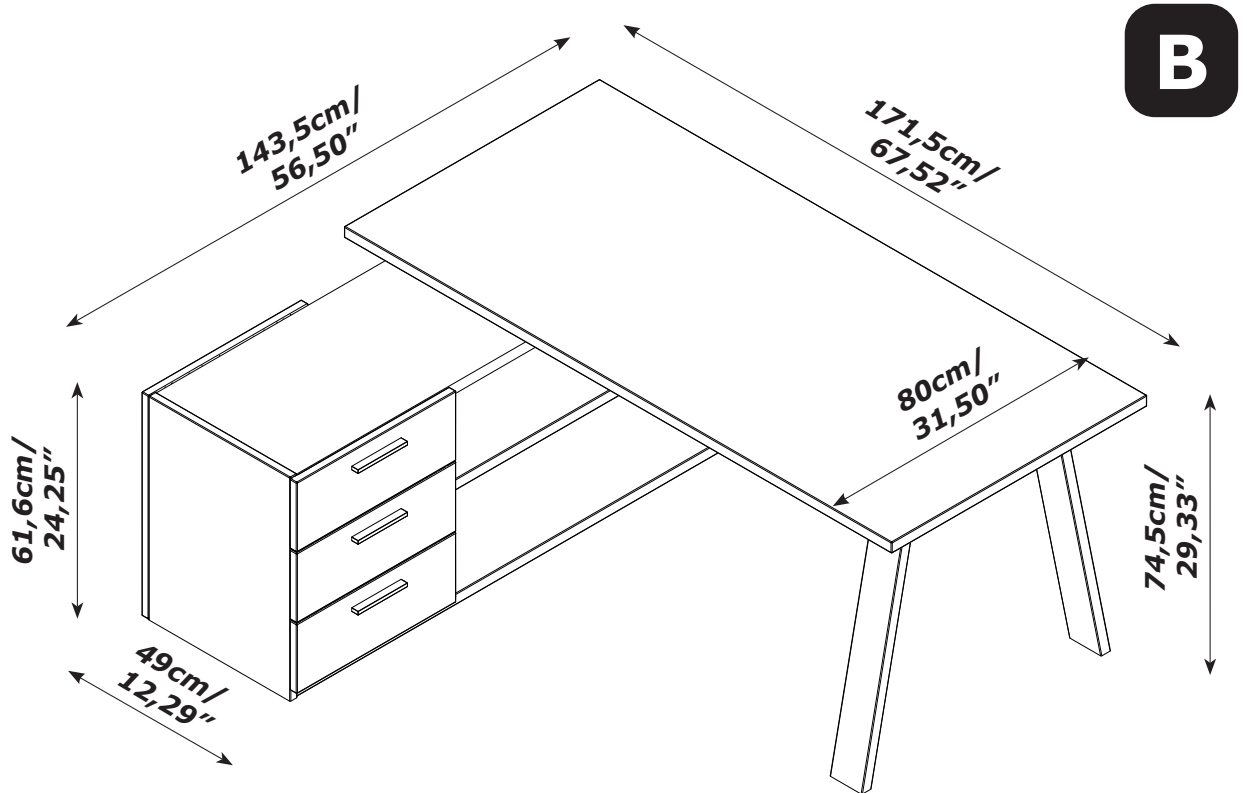
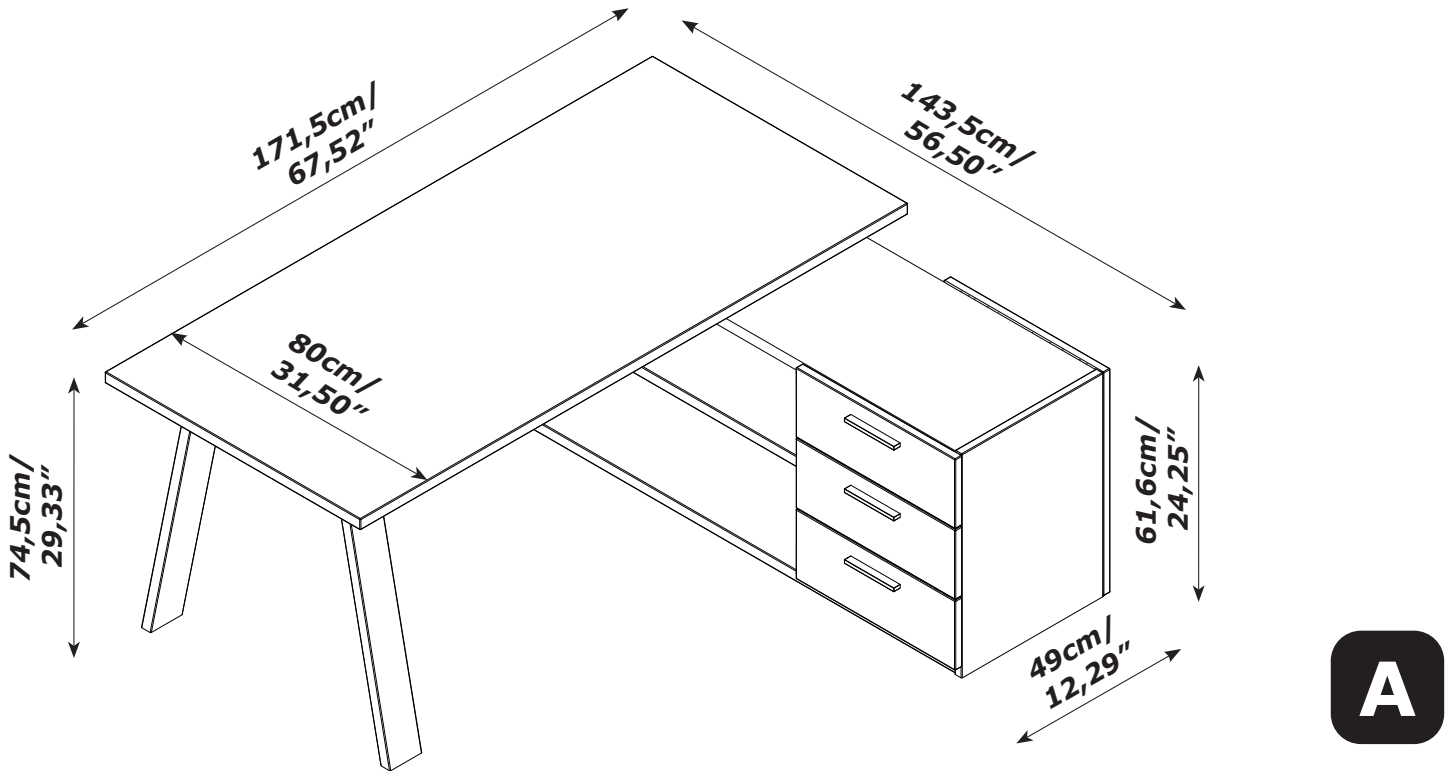
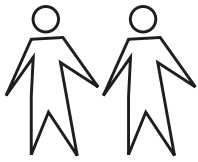


SR4852B81104

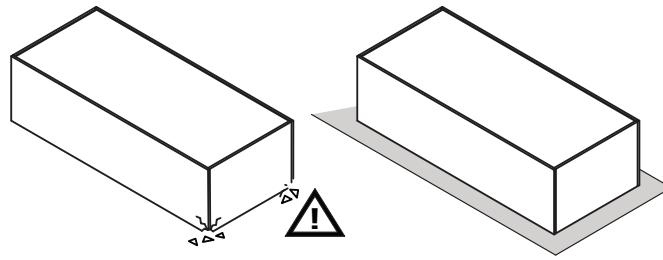
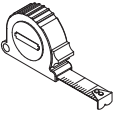
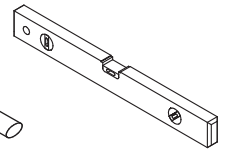
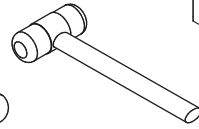
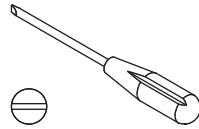
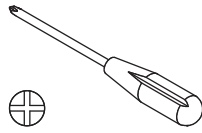
SR4854B81104 + CF4849K01604



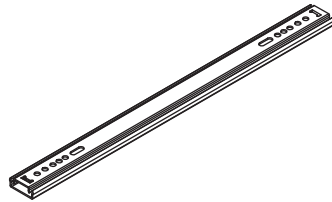
QF5813-1



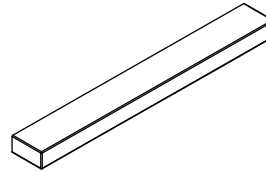
3h



BU4962

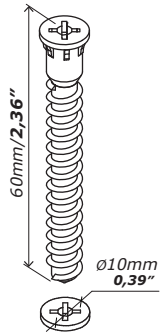


A64
x6

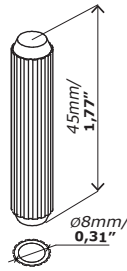


M203
x3

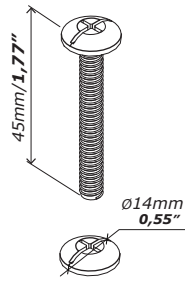
BU4961



V57
x4



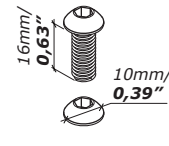
H325
x16



V76
x4



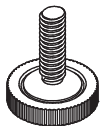
T87
x4



V185
x6



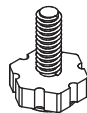
T30
x6



P34
x2



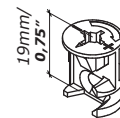
T94
x6



P39
x6



T28
x24



T97
x16



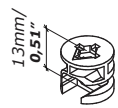
H113
x6



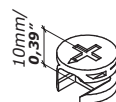
G161
x6



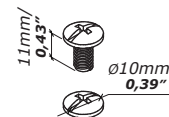
R40
x4



T99
x2



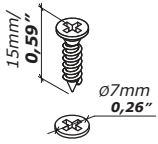
T98
x6



V38
x6



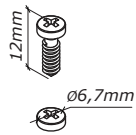
H54
x12



V5
x18



H89
x4



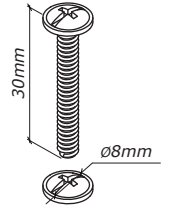
V98
x4



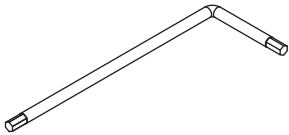
T67
x4



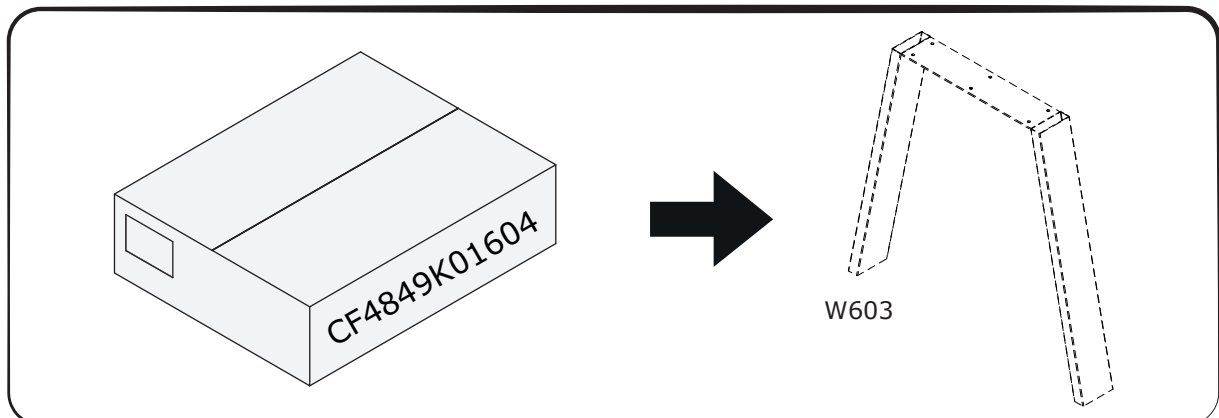
H2
x6

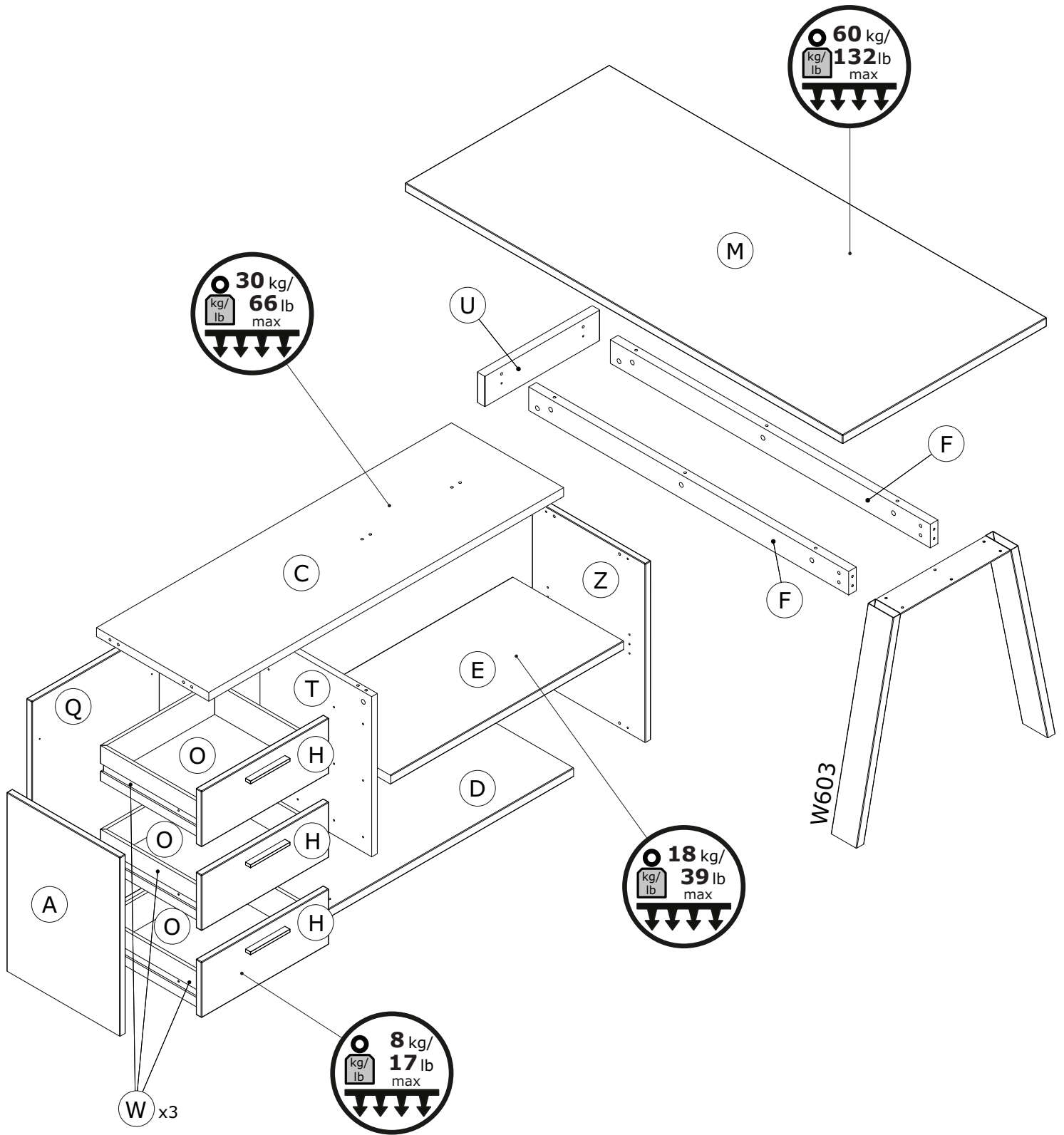


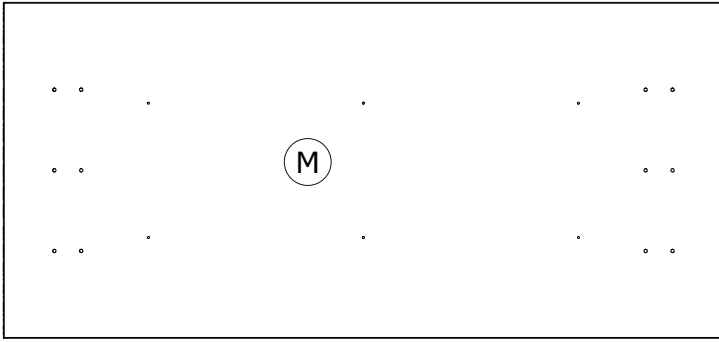
V35
x6



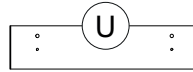
H138
x1



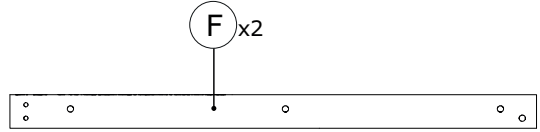




CA3906
1715x800x30mm/
67,52"x31,49"x1,18"

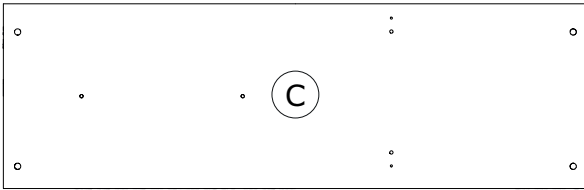


FS4866
103x451x30mm/
4,05"x17,78"x1,18"

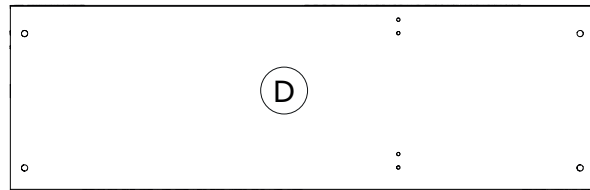


FS4245
1254x80x30mm/
49,37"x3,15"x1,18"

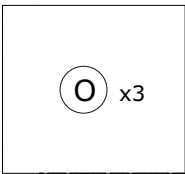
BOX 1/3



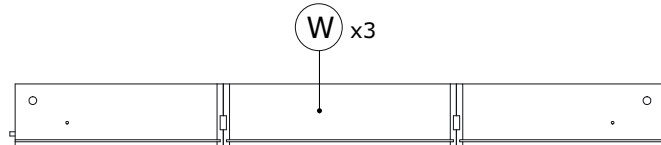
CA3907
1391x440x30mm/
54,76"x17,32"x1,18"



BA2399
1391x440x30mm/
54,76"x17,32"x1,18"

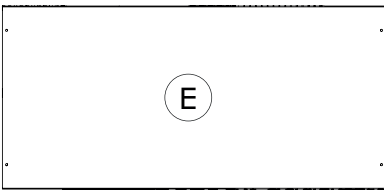


SH3793
435x400x2mm/
17,13"x15,75"x0,79"

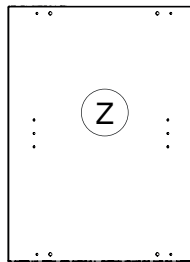


OF0769
400x448x400mm/
15,75"x17,32"x15,75"

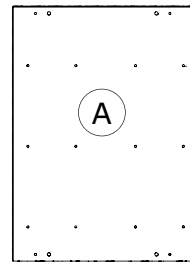
BOX 2/3



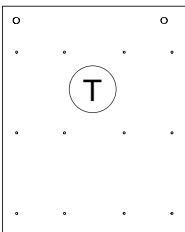
PI7563
931x436x30mm/
35,95"x17,17"x1,18"



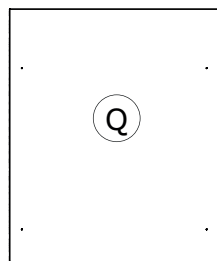
FI9316
607x444x22mm/
23,90"x17,48"x0,87"



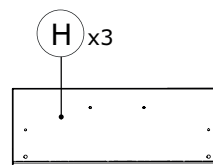
FI9317
607x444x22mm/
23,90"x17,48"x0,87"



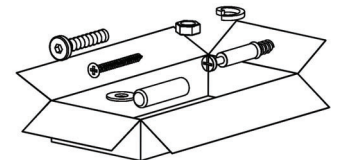
TR2505
544x438x22mm/
21,42"x17,24"x0,87"



SH3792
607x500x22mm/
23,90"x19,60"x0,87"

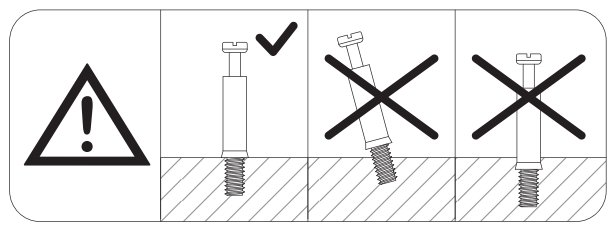
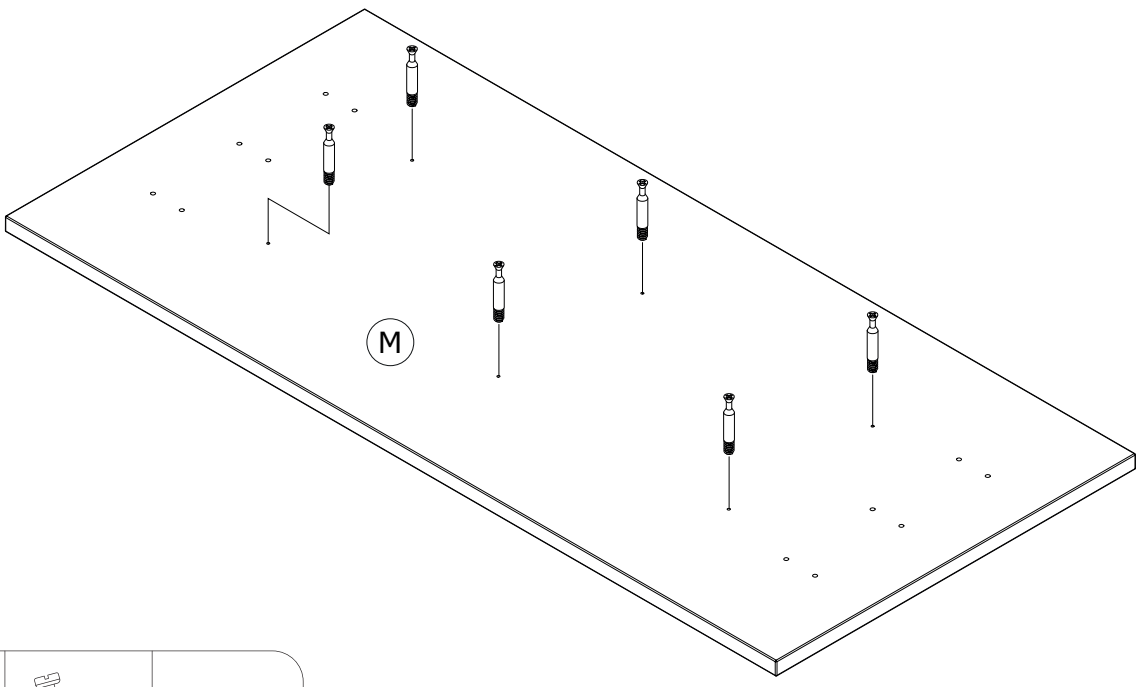
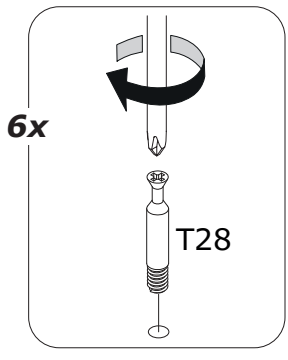
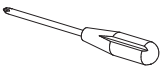


CS4866
499x189x22mm/
19,65"x7,44"x0,87"

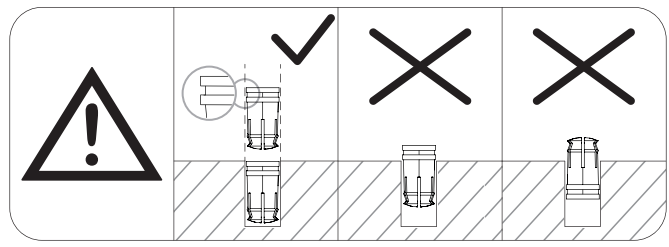
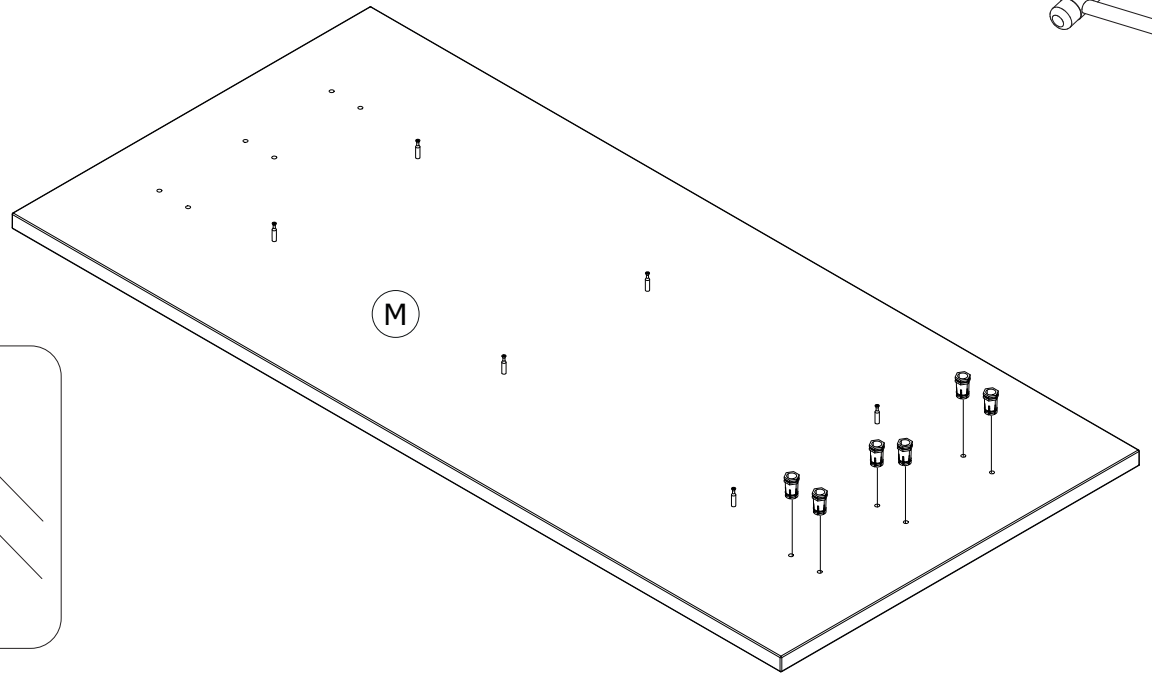
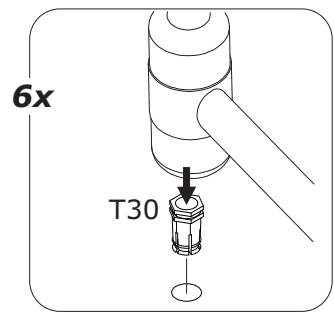
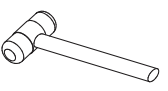


BOX 3/3

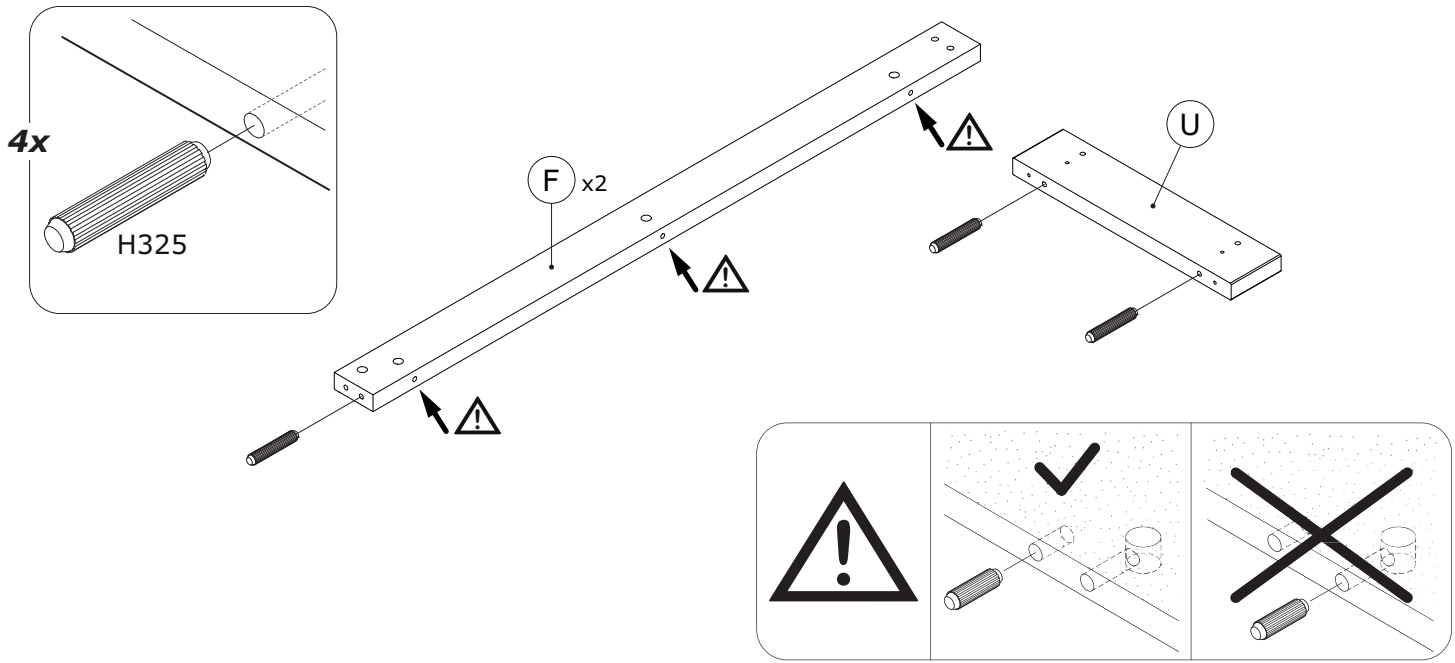
1



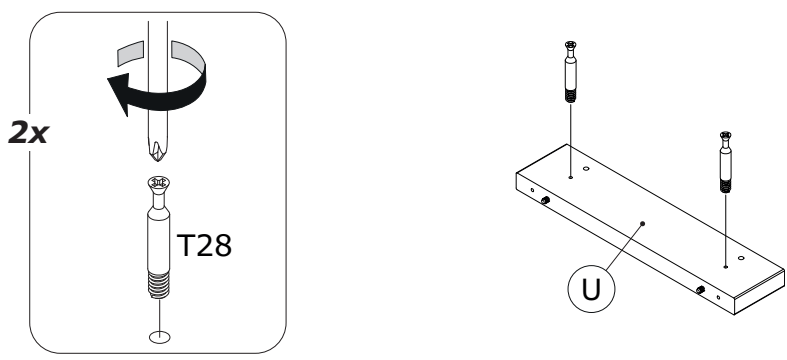
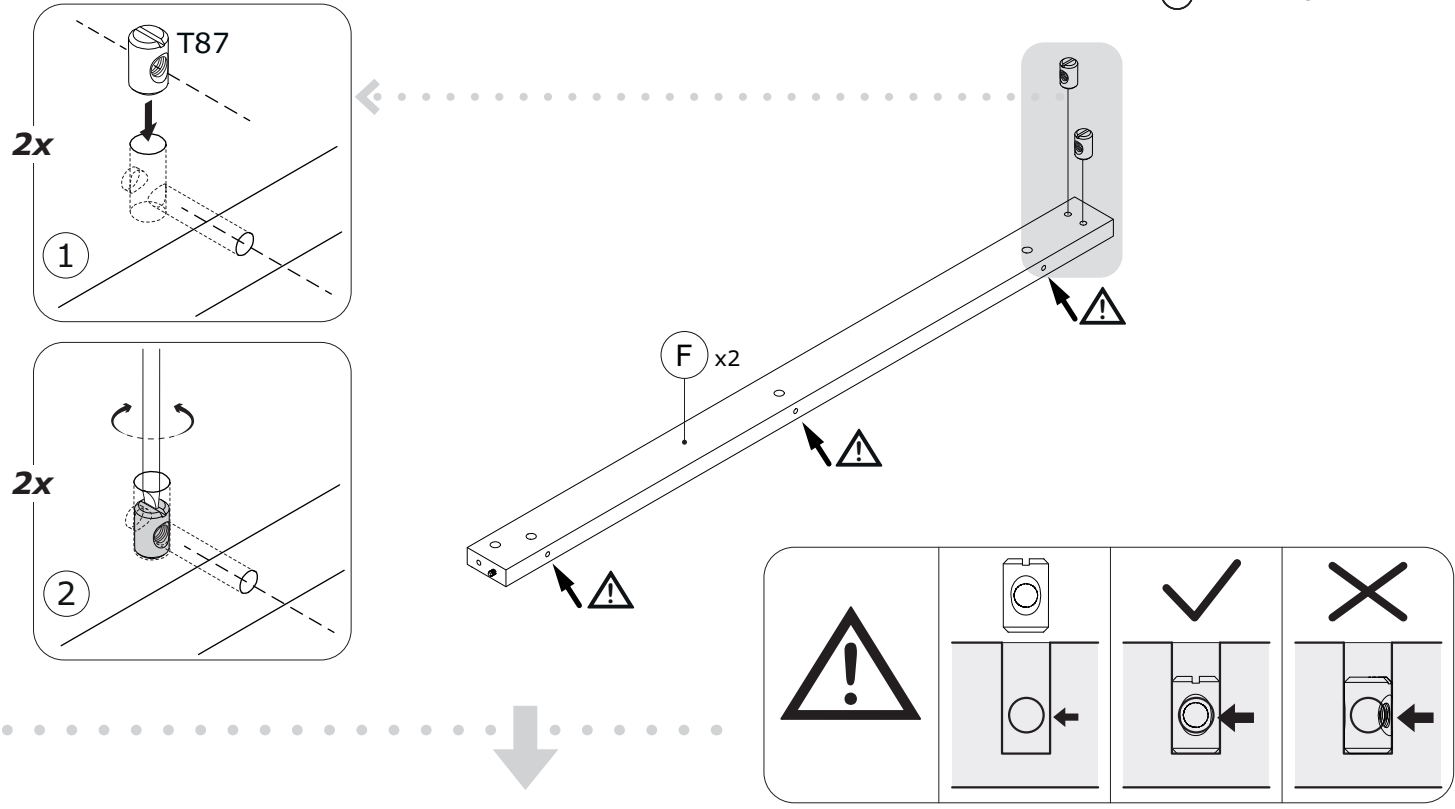
2



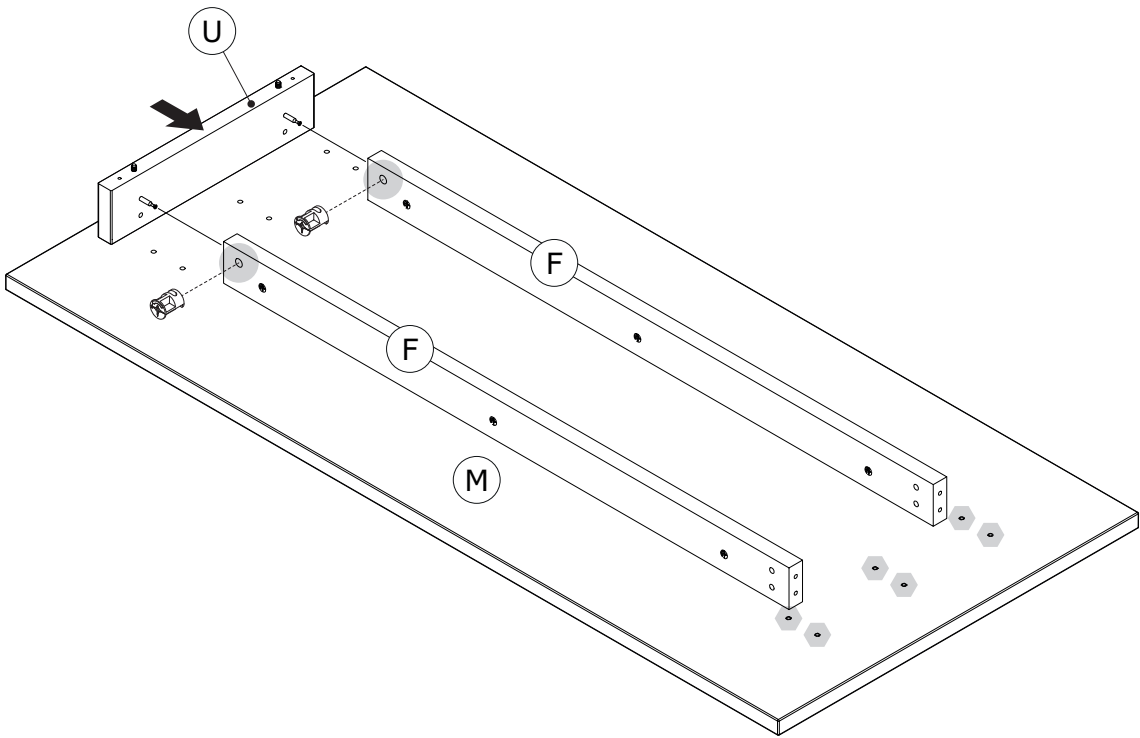
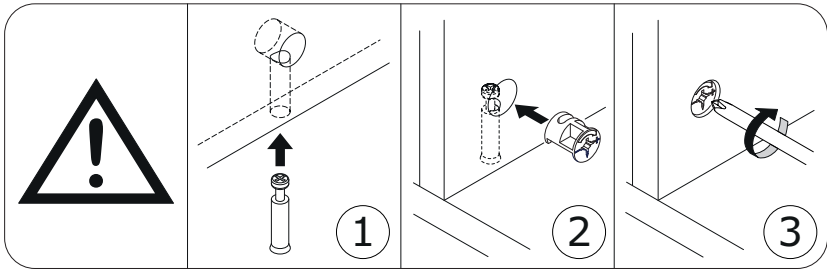
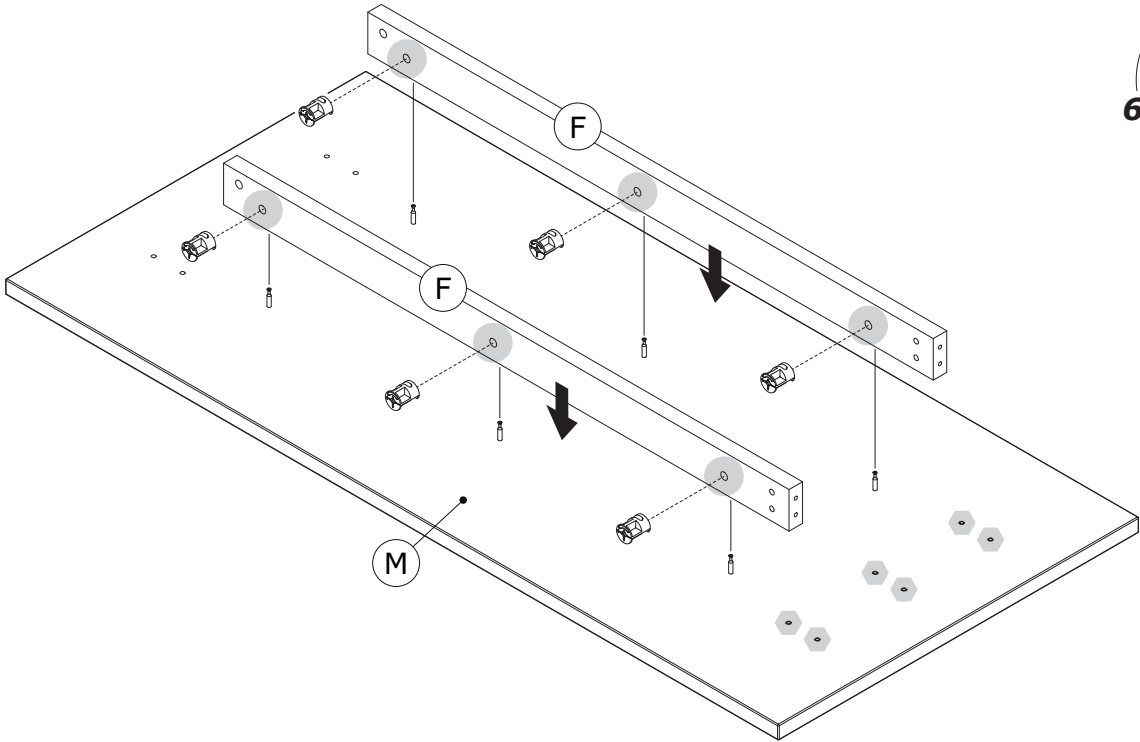
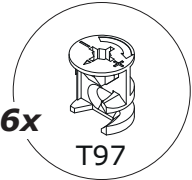
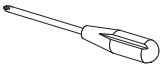
3



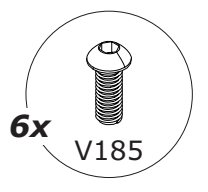
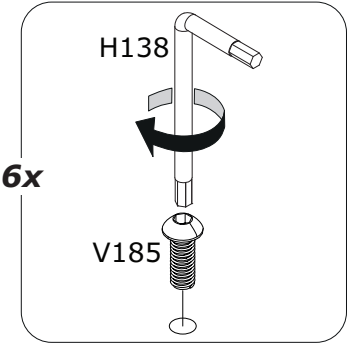
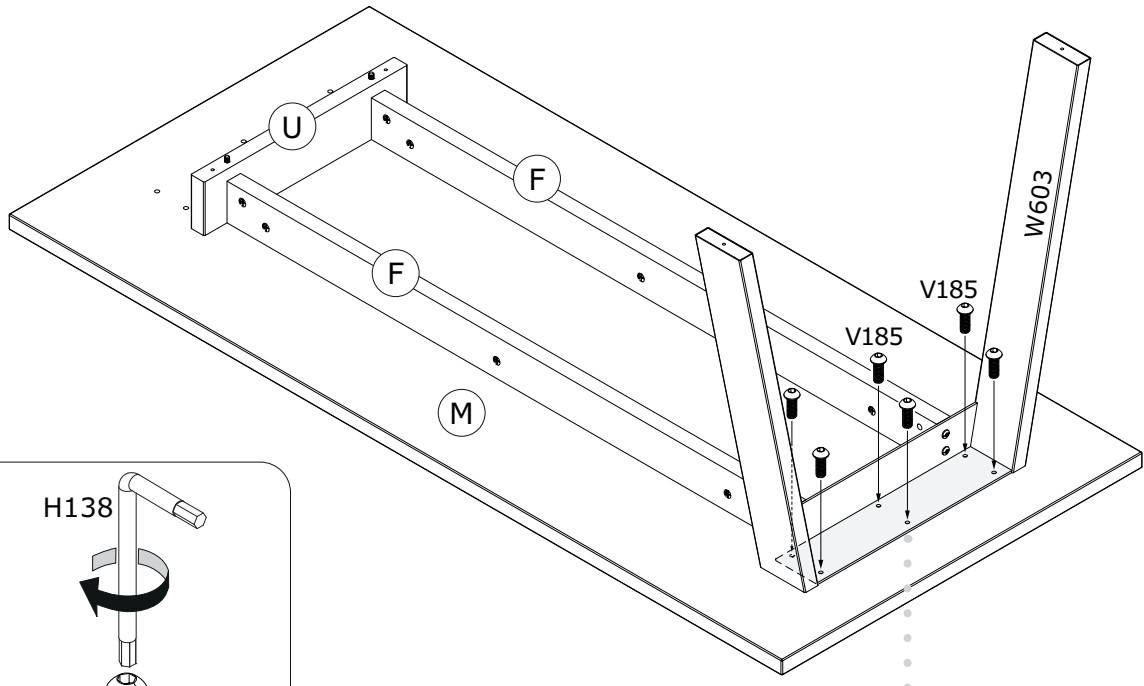
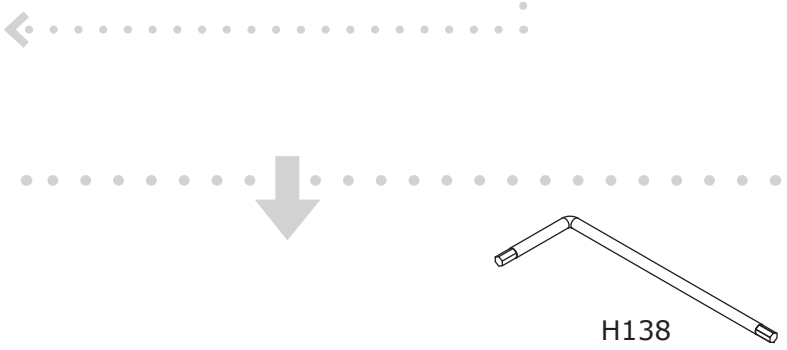
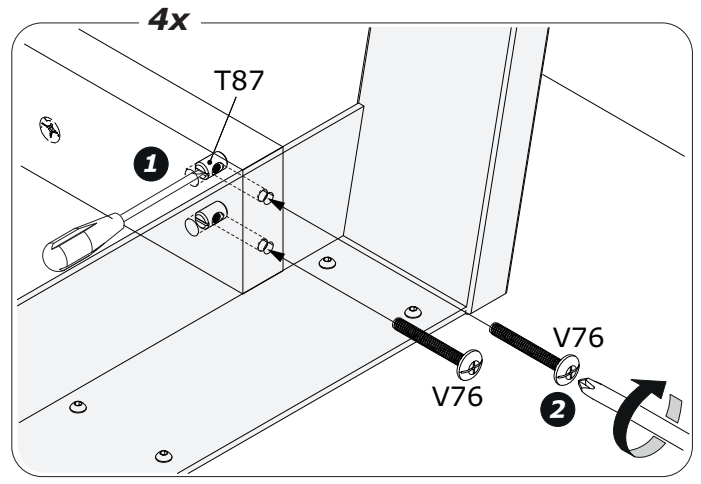
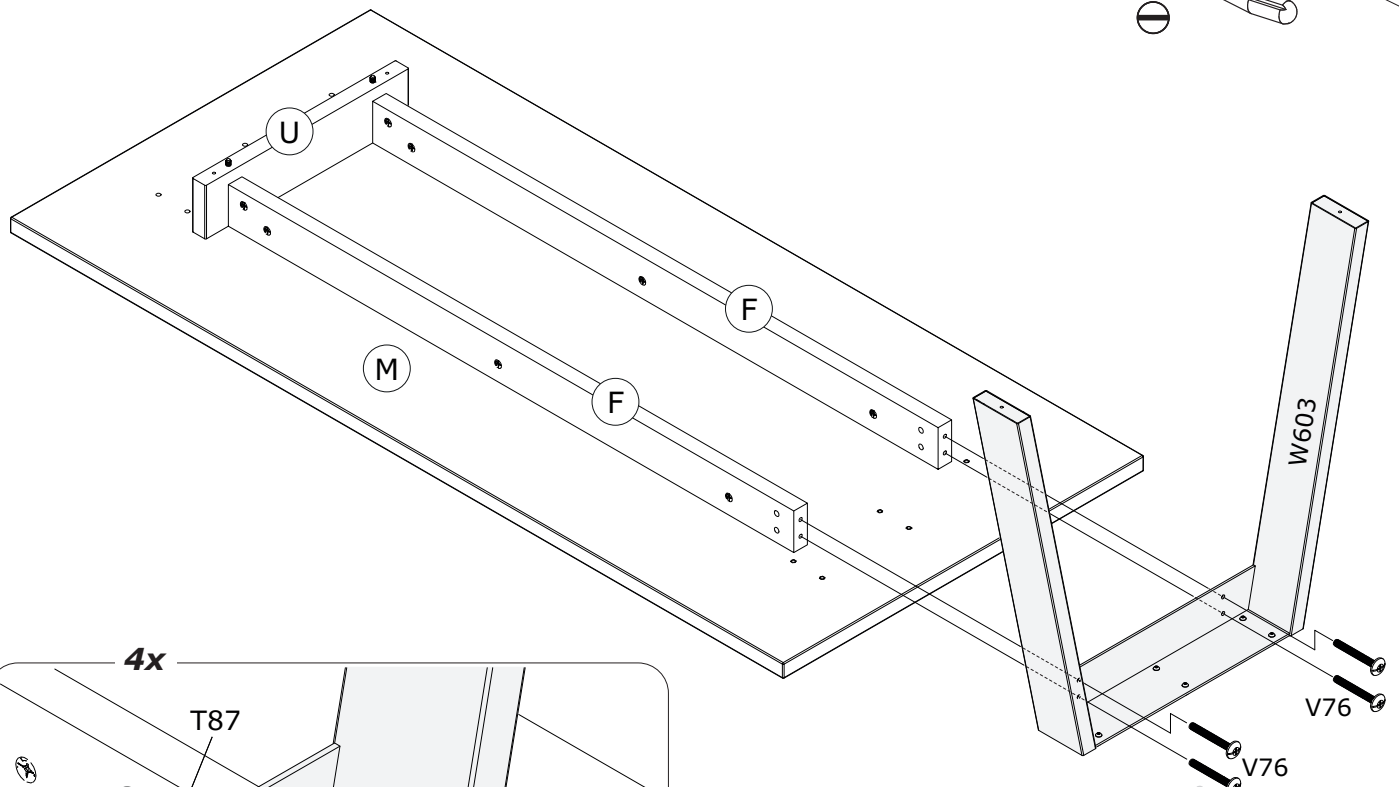
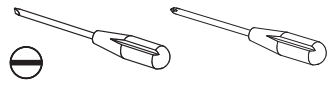
4



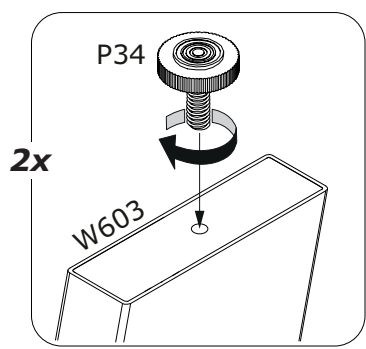
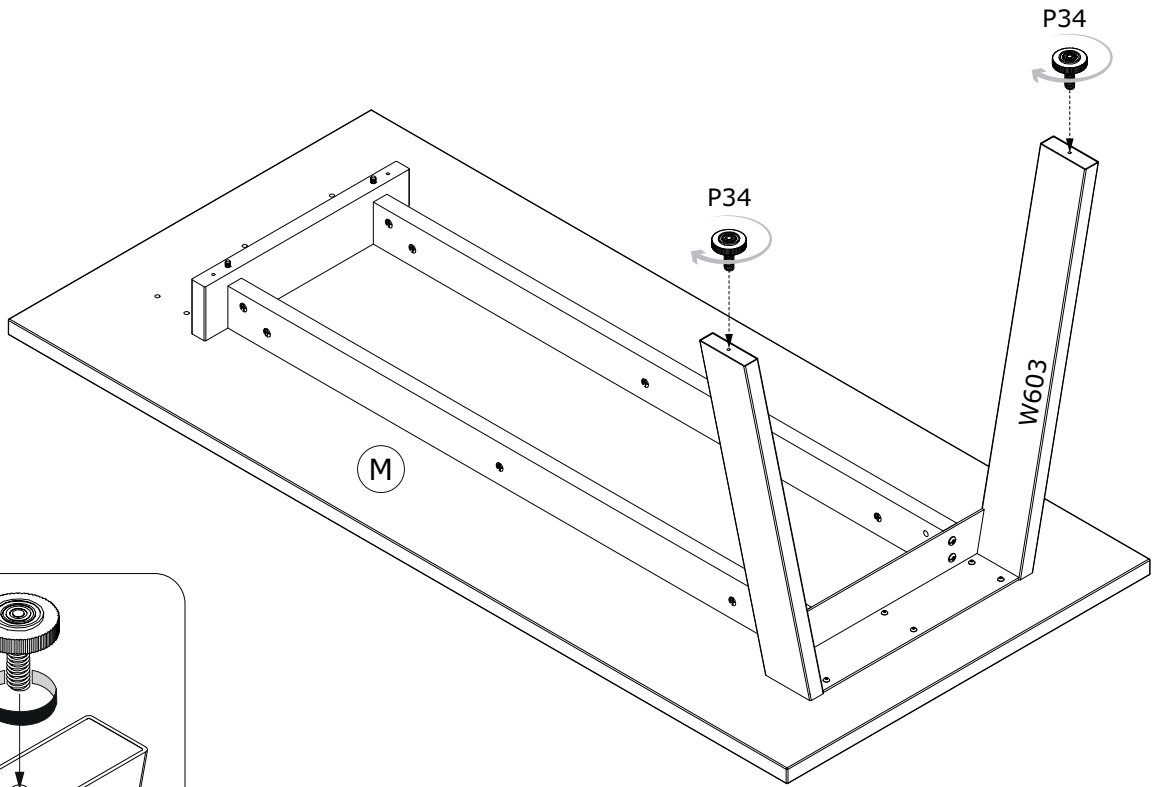
5



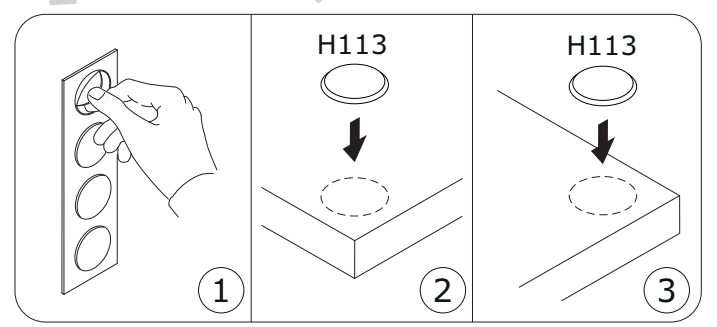
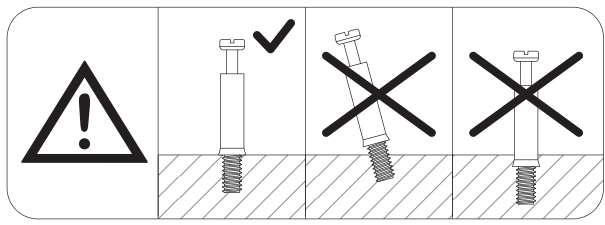
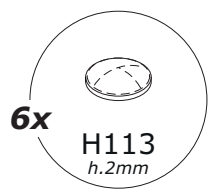
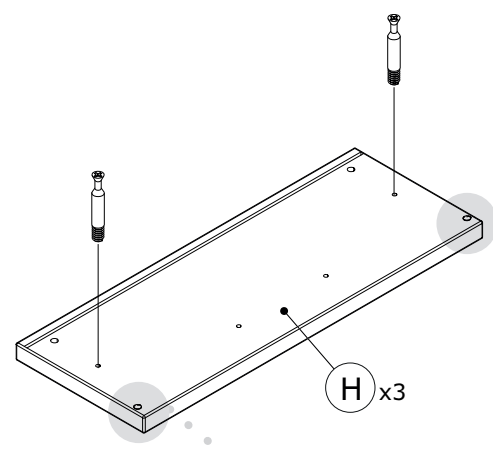
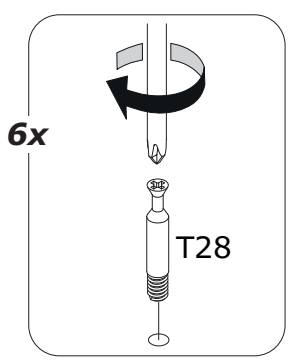
6



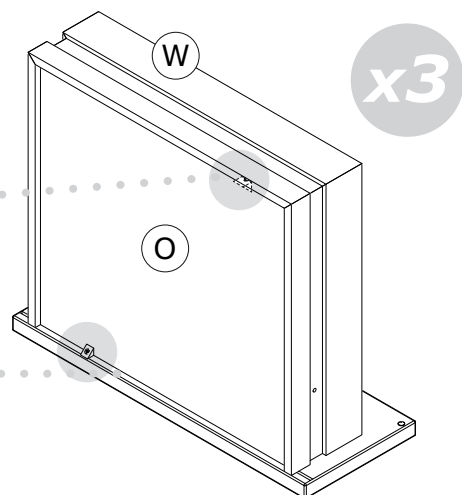
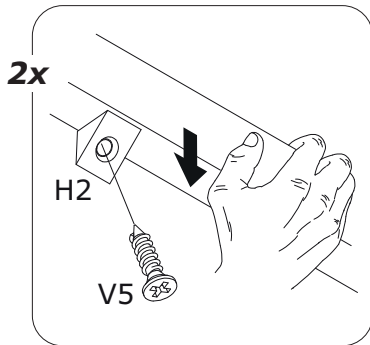
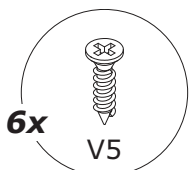
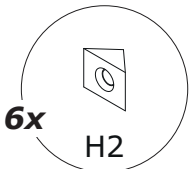
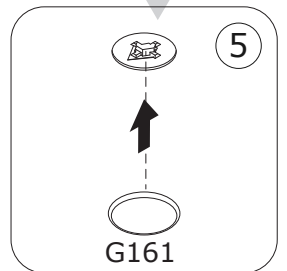
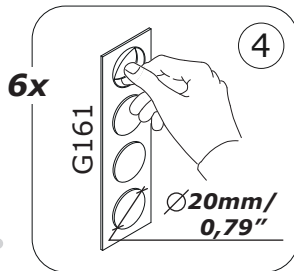
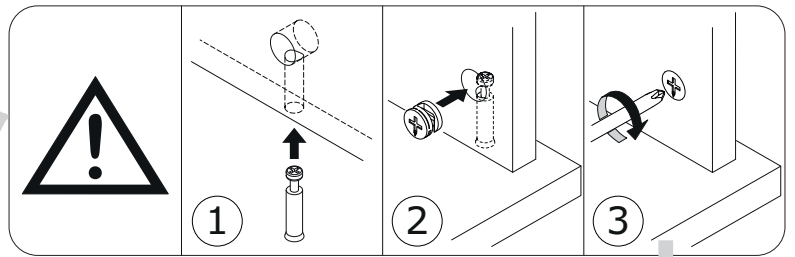
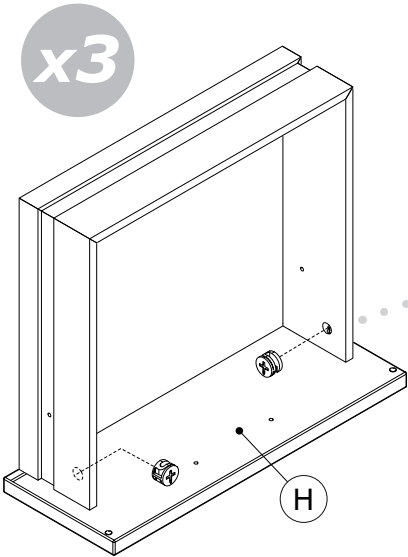
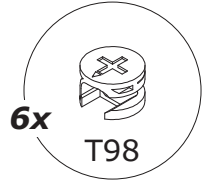
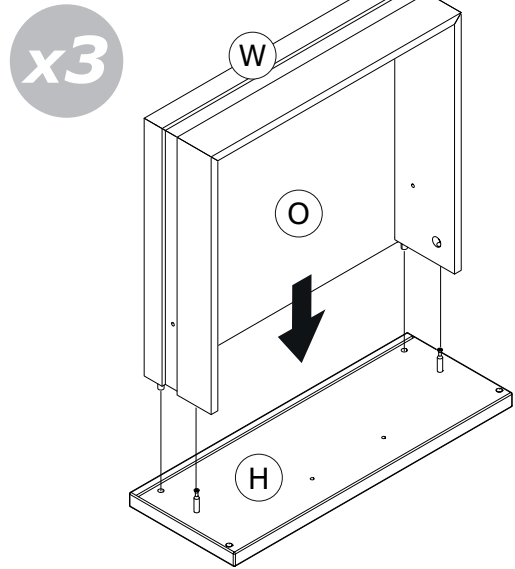
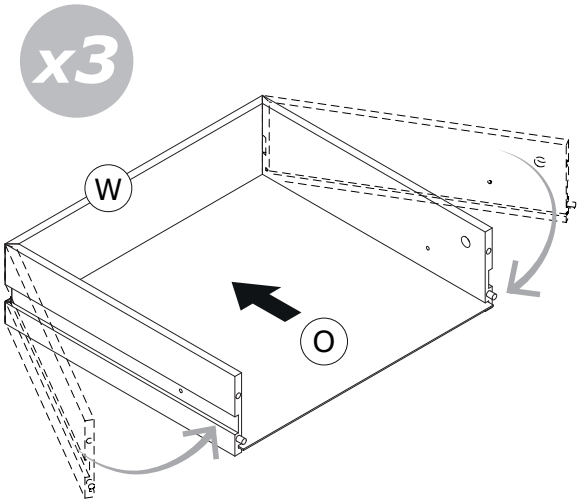
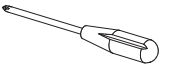
7



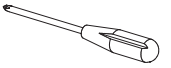
8



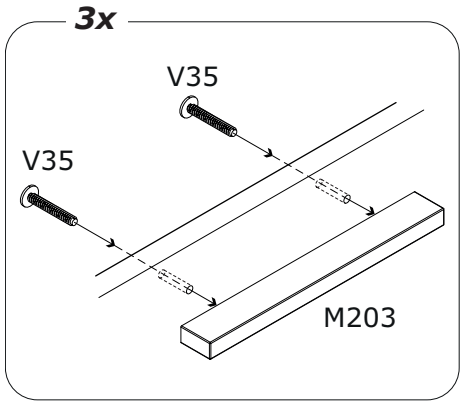
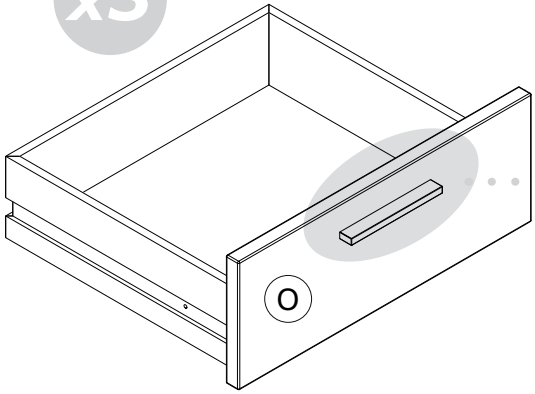
9



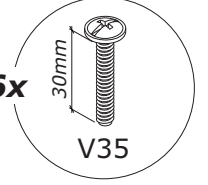
10



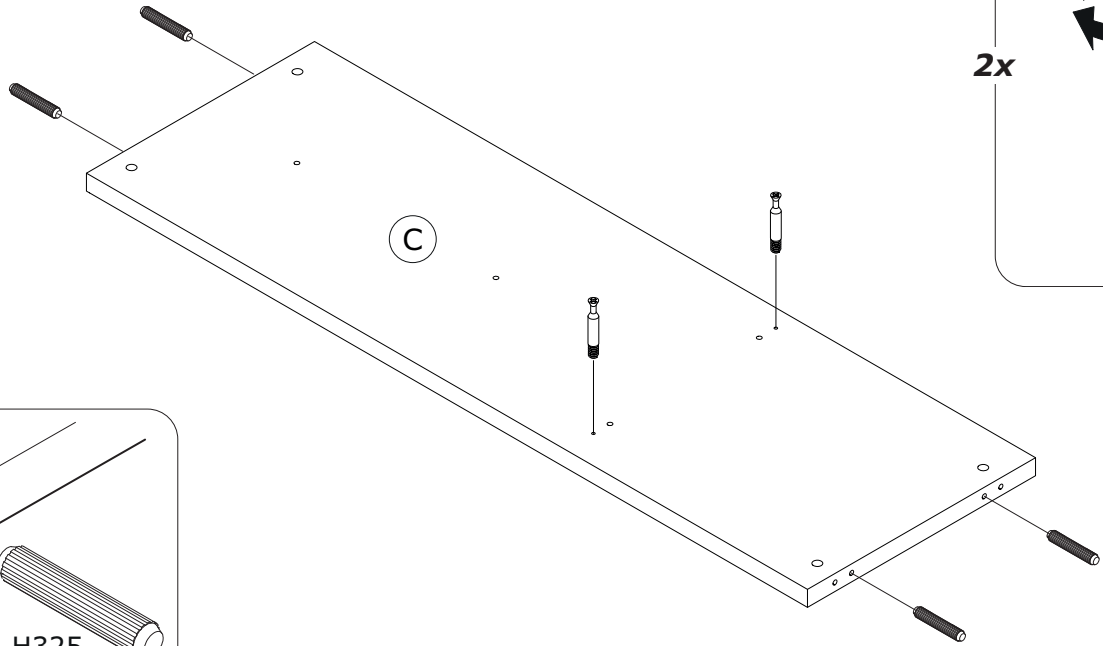
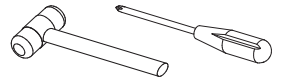
x3



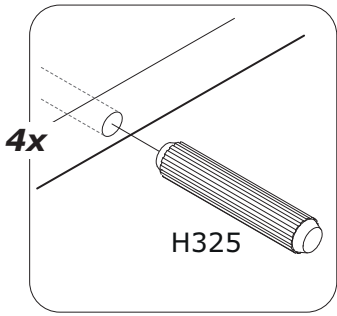
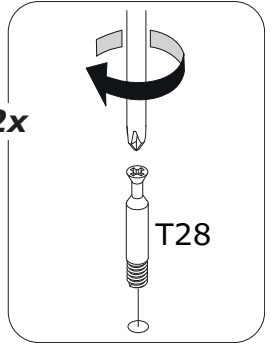
6x



11

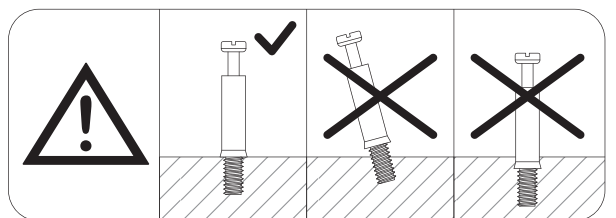
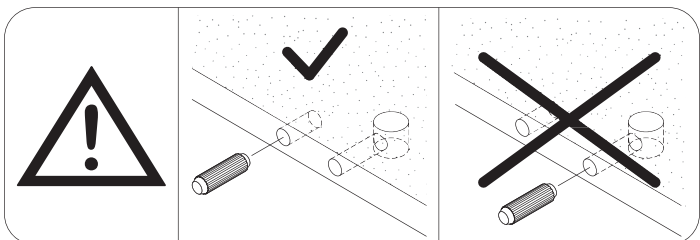


2x

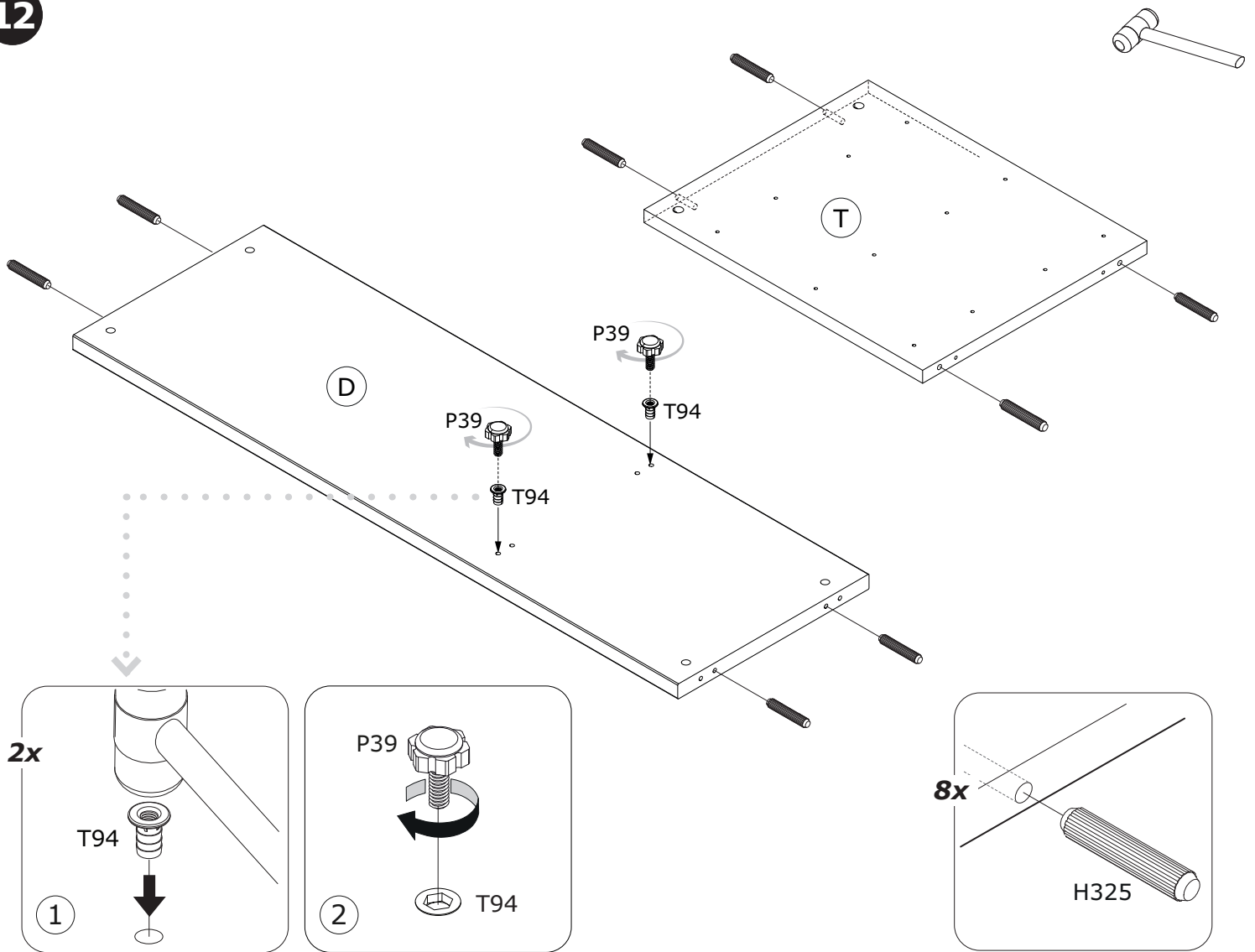


4x

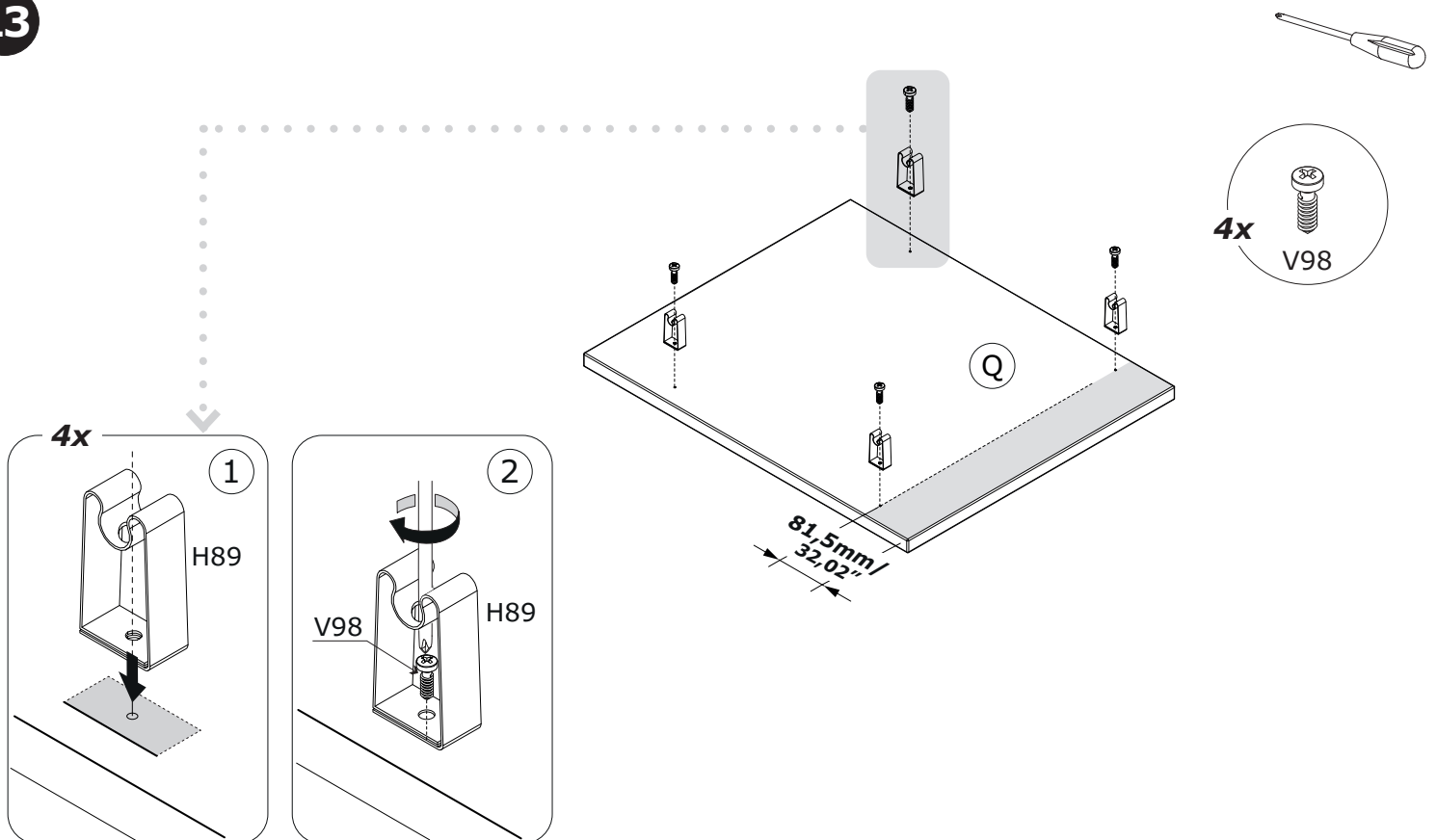
H325

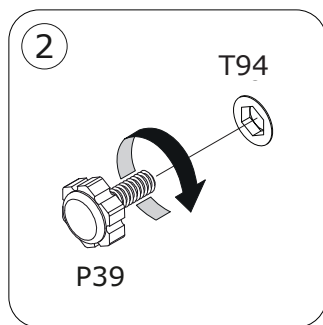
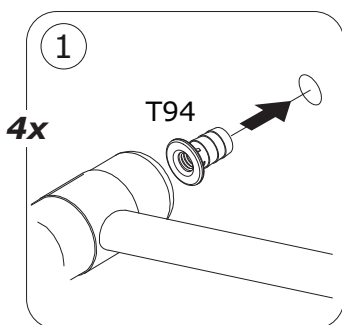
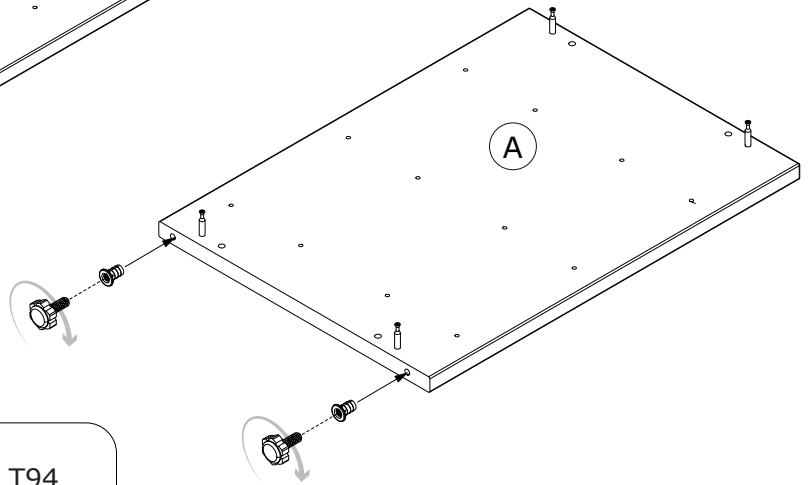
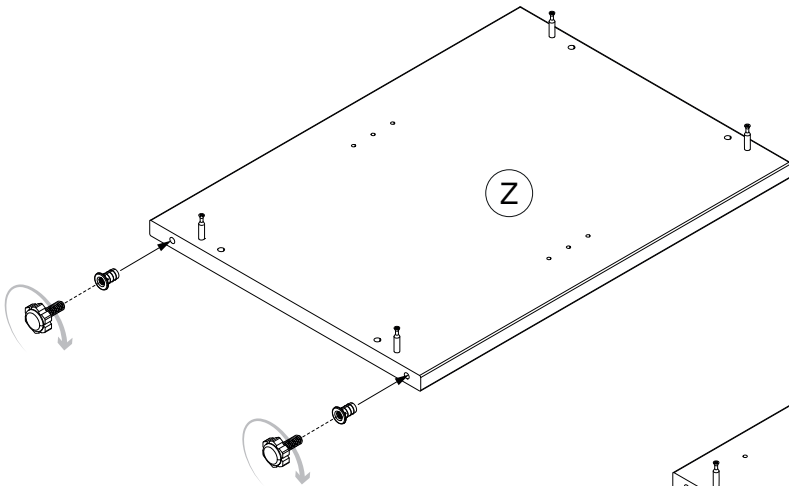
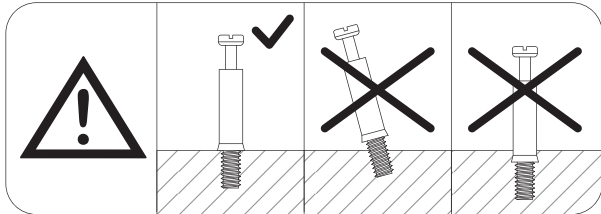
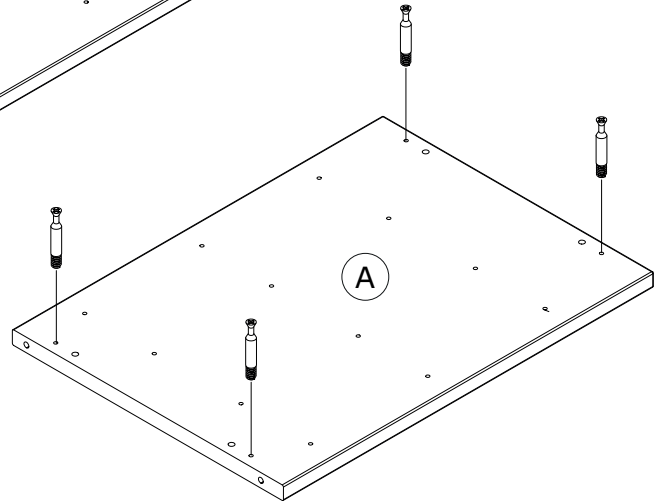
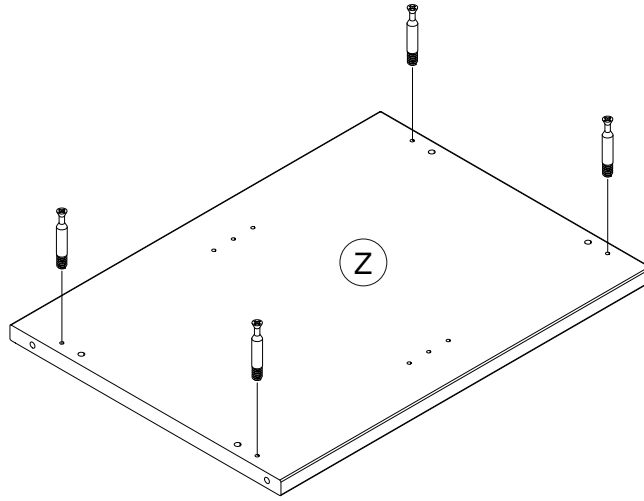
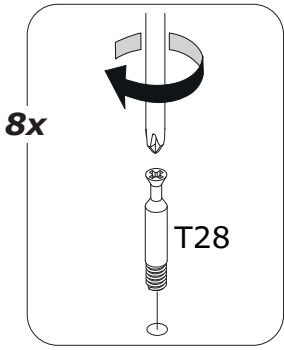
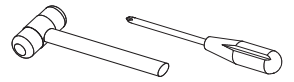


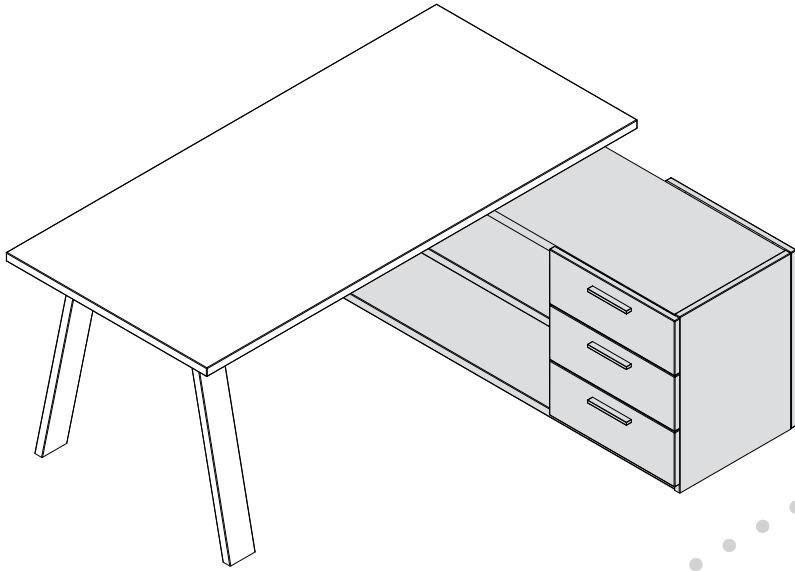
12



13

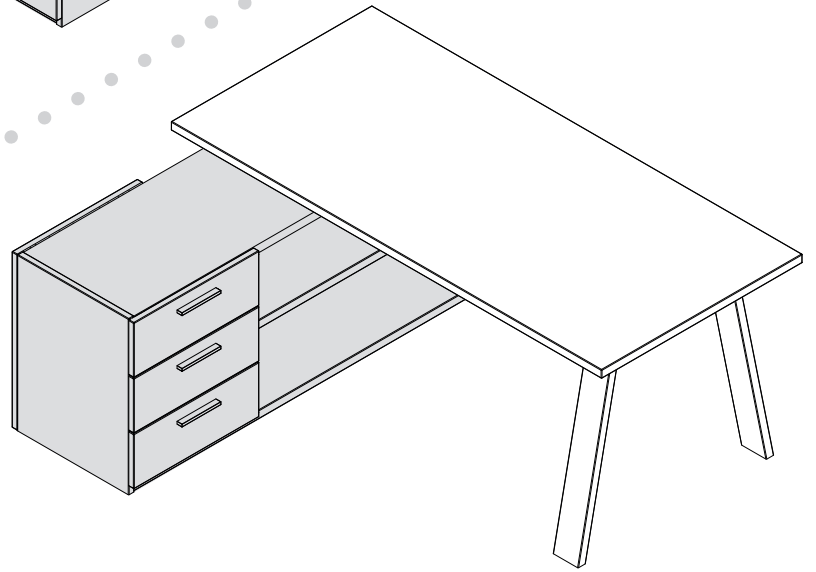






A

15 - 27

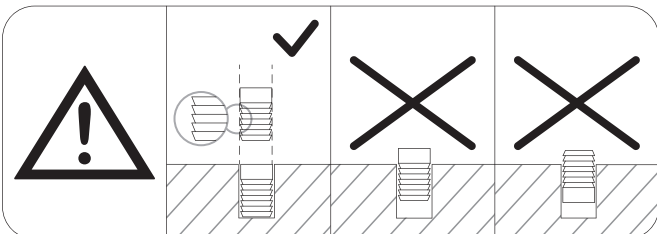
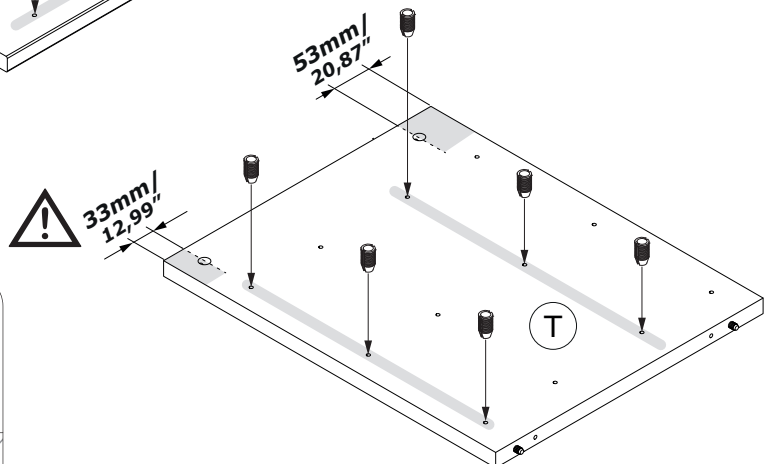
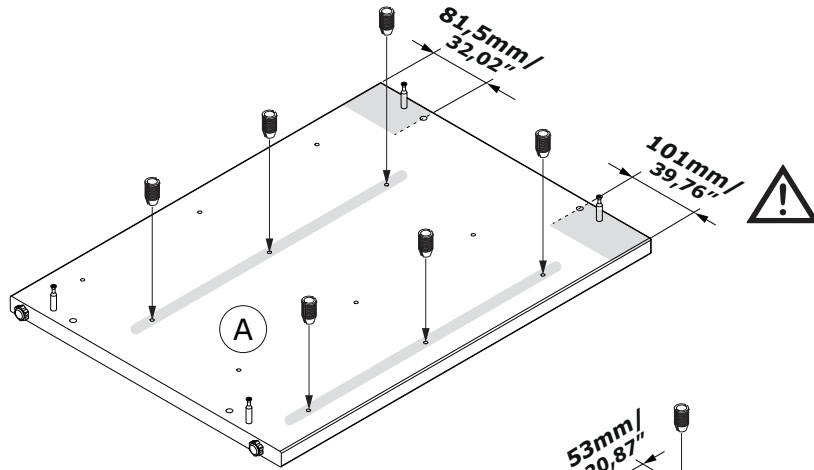
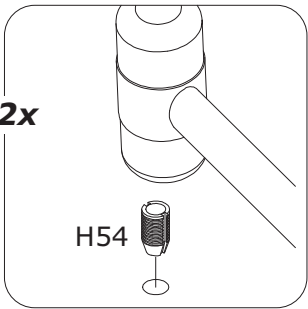
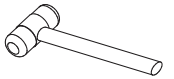


B

28 - 40

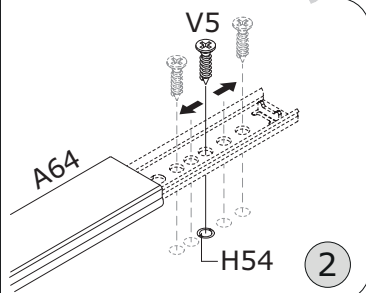
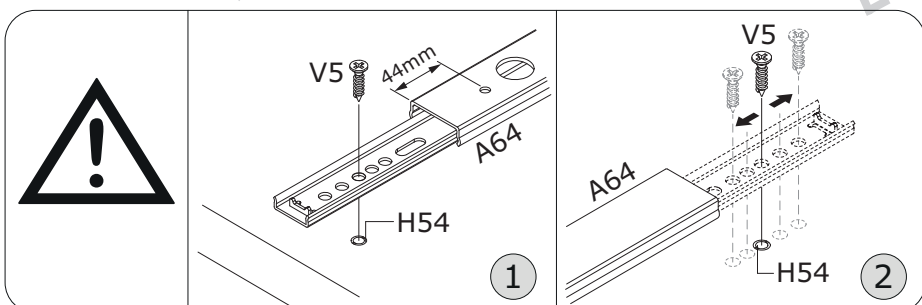
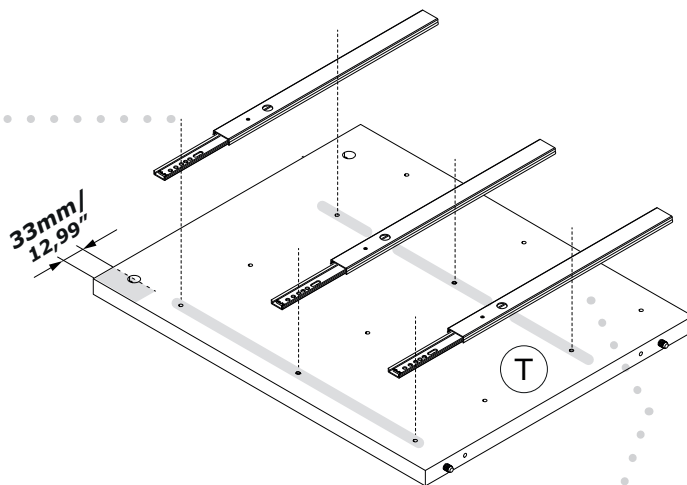
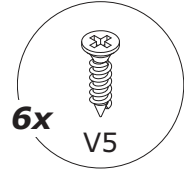
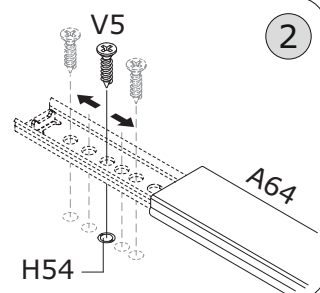
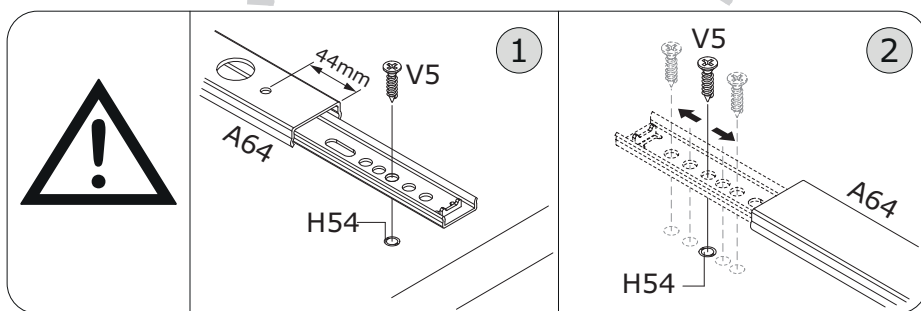
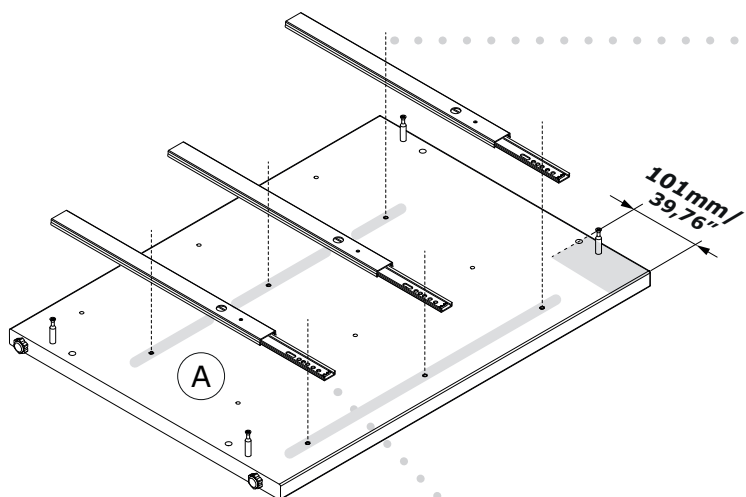
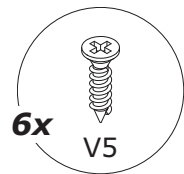
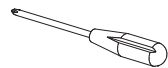
15

A



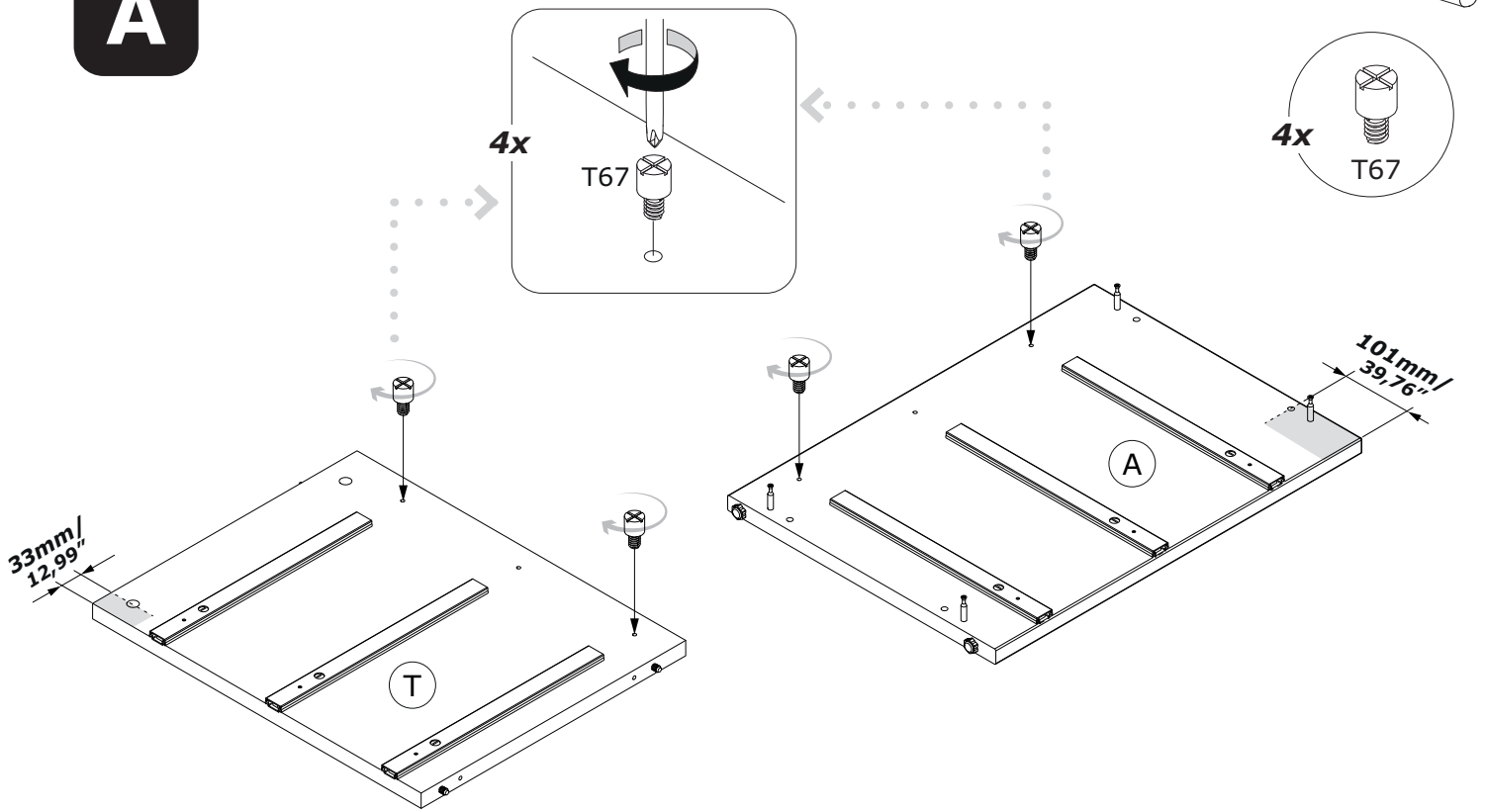
16

A

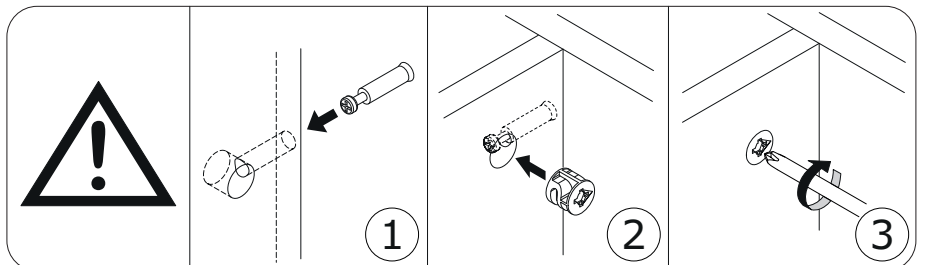
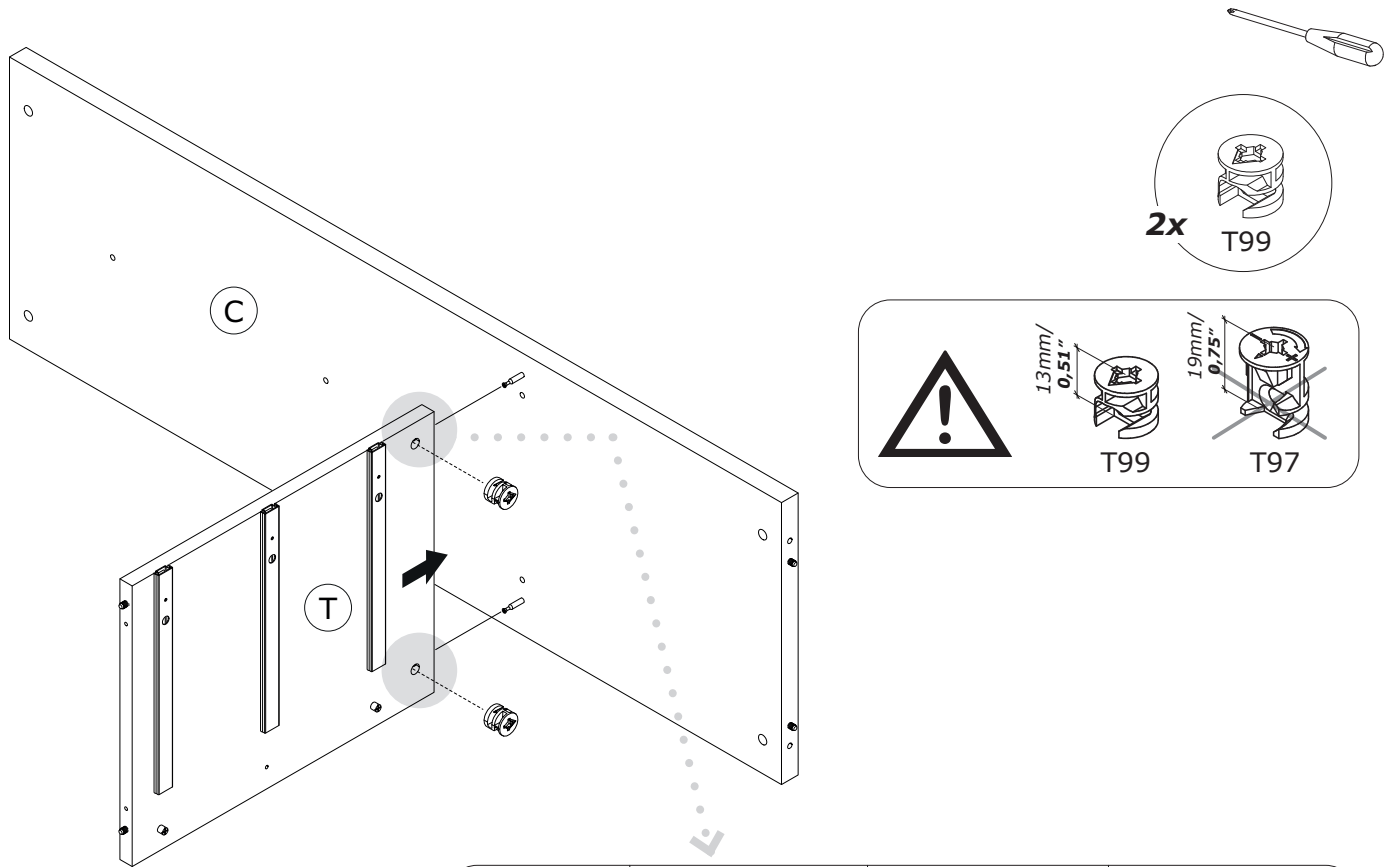


17

A

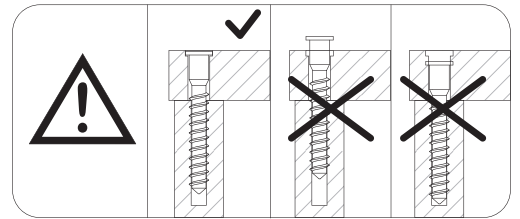
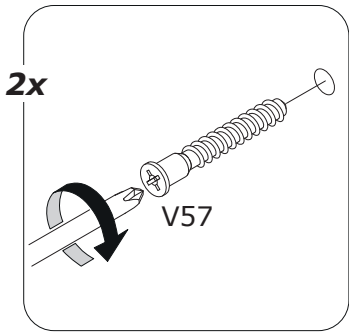
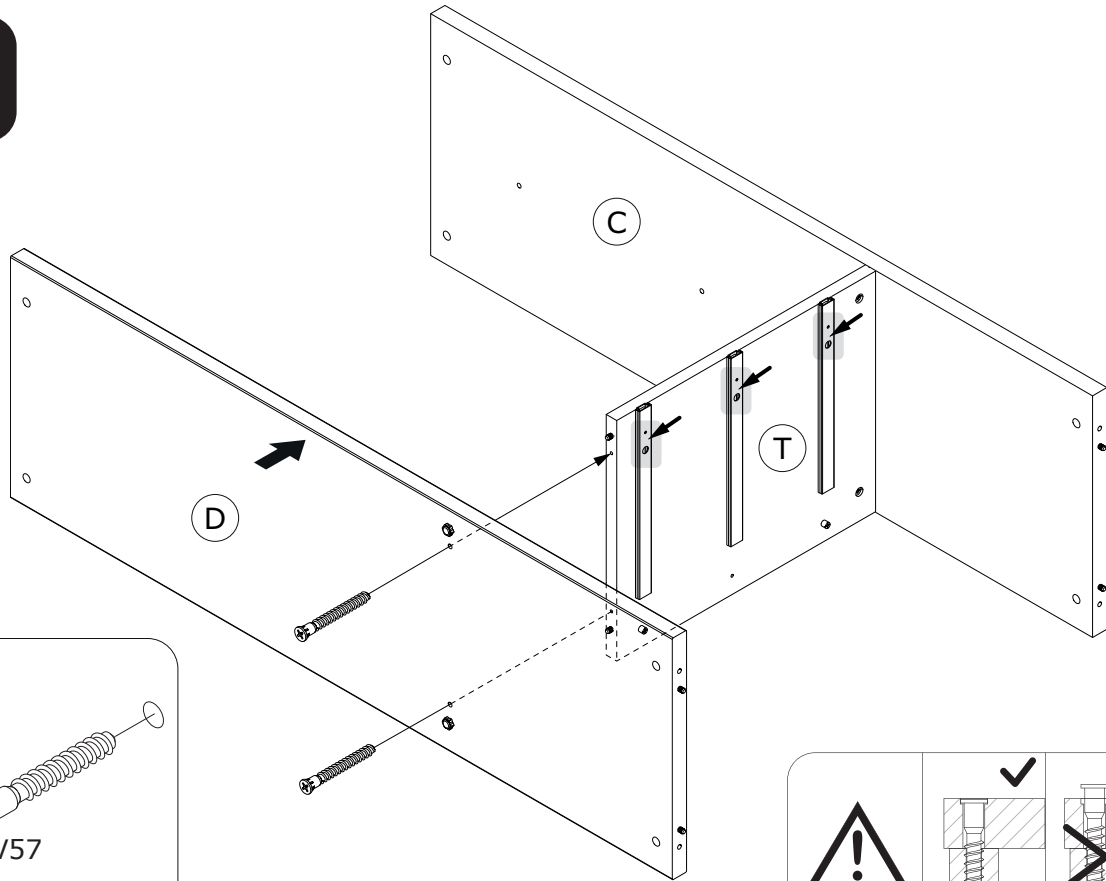


18

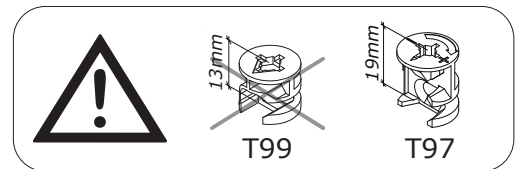
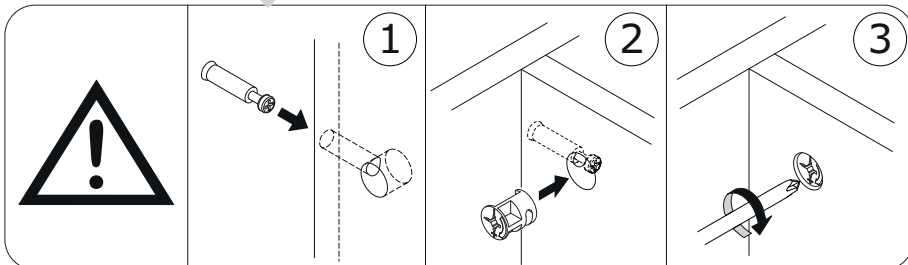
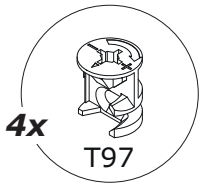
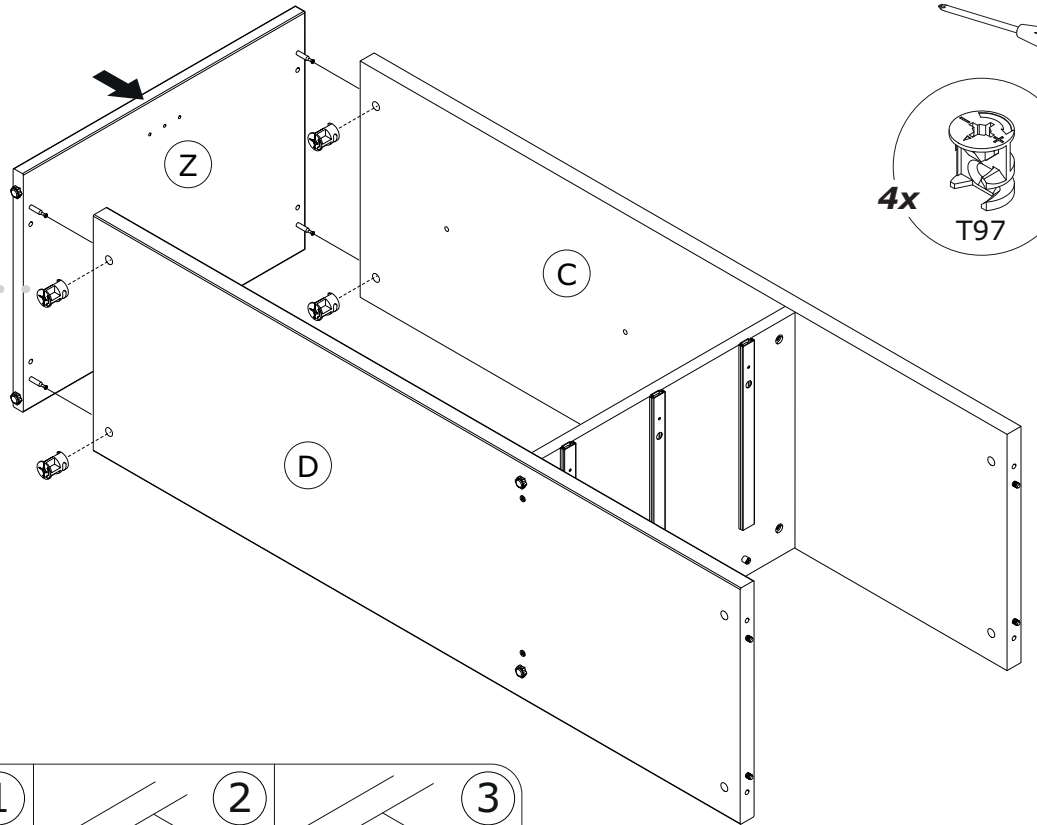


19

A

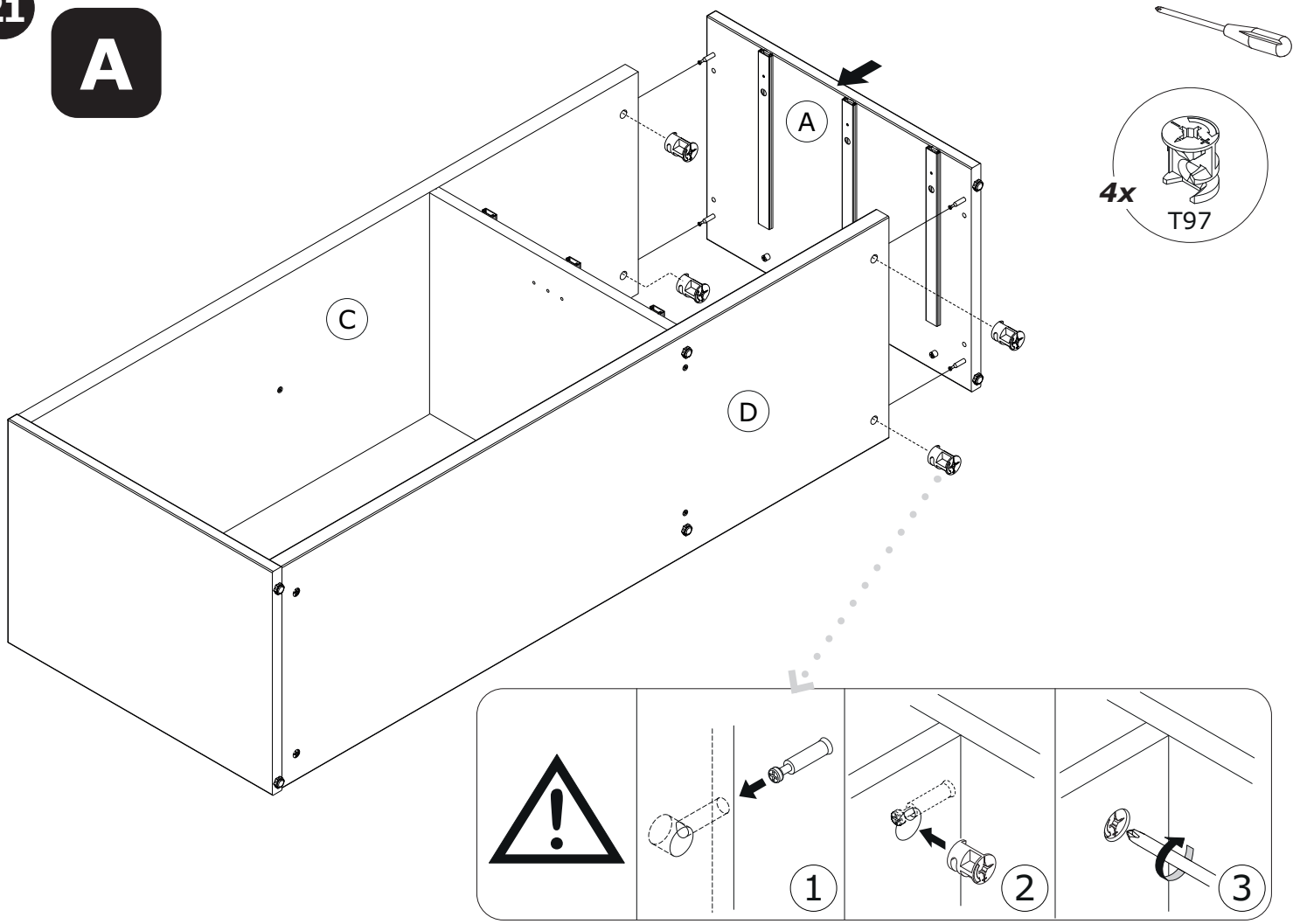


20

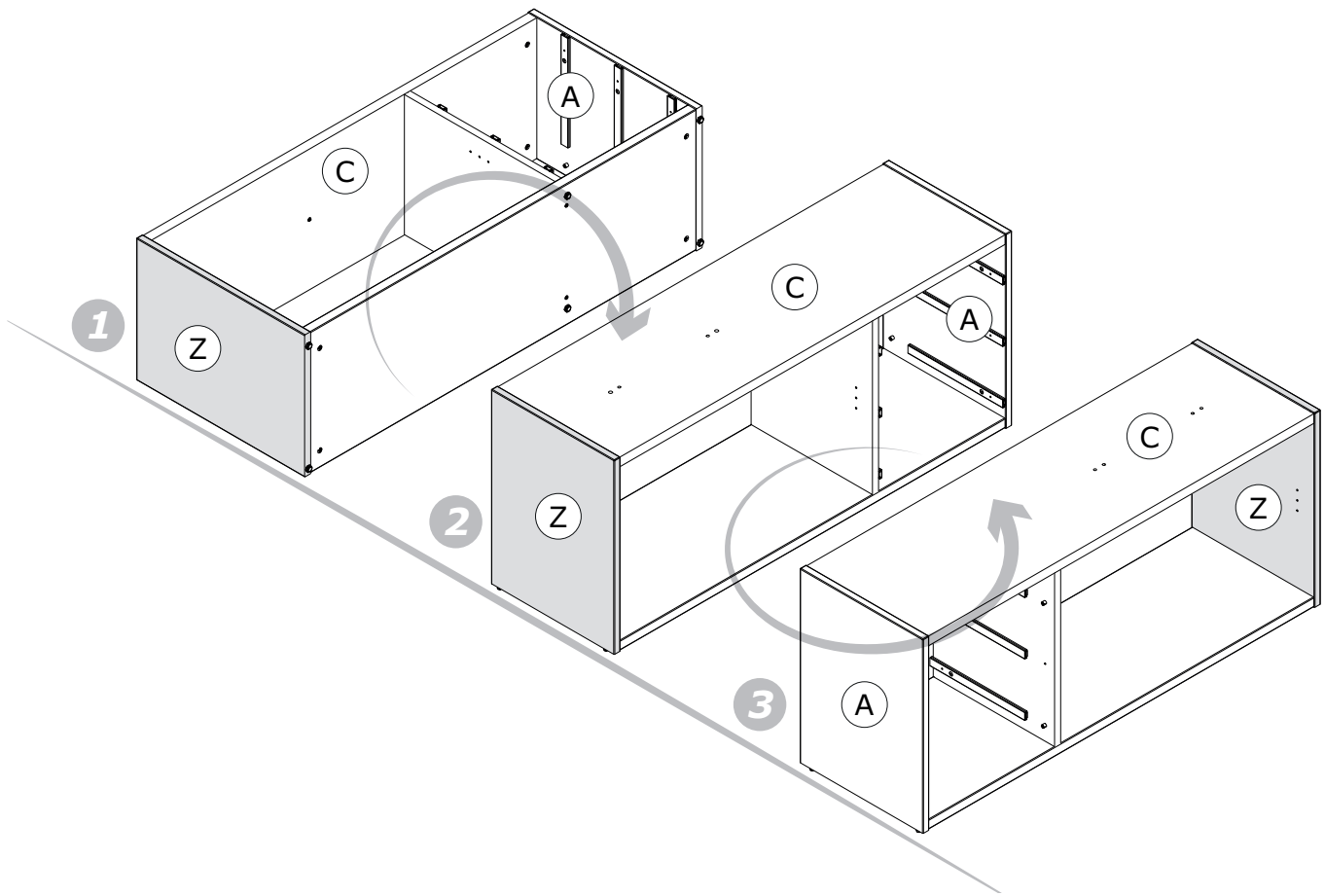


21

A

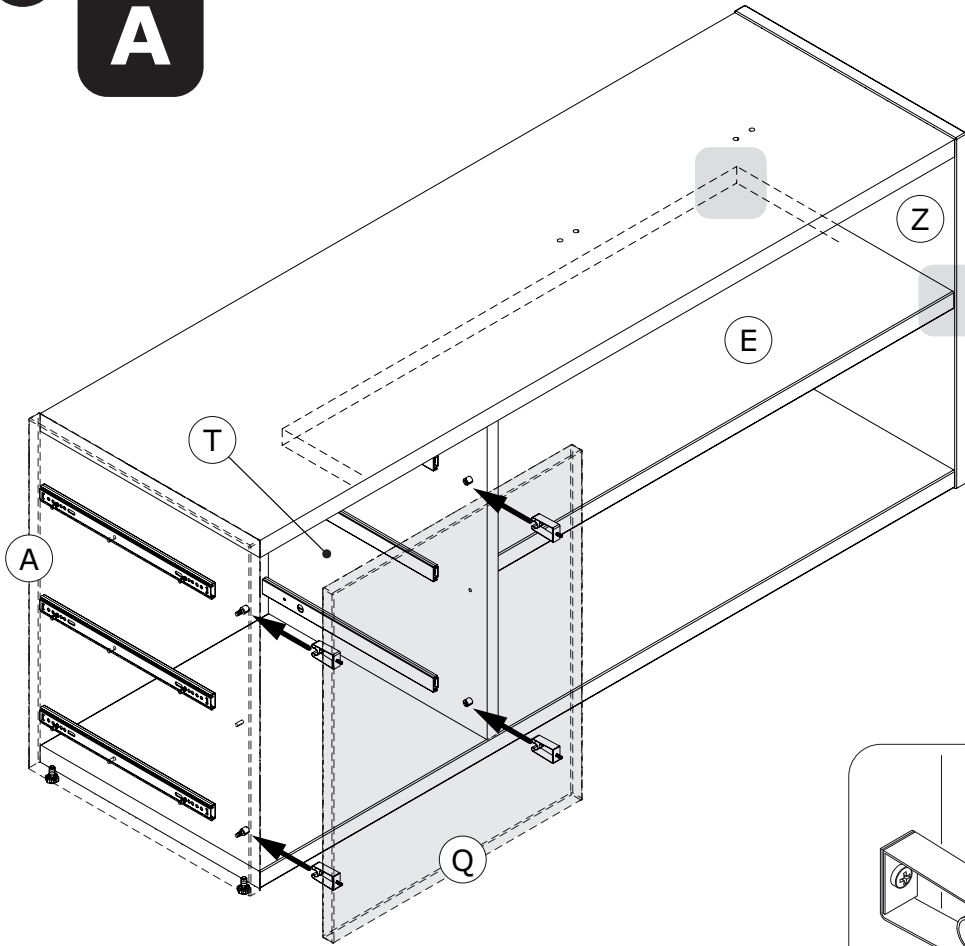
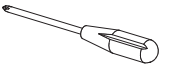


22

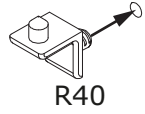


23

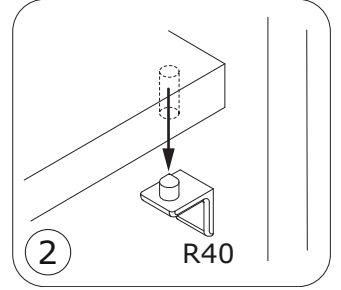
A



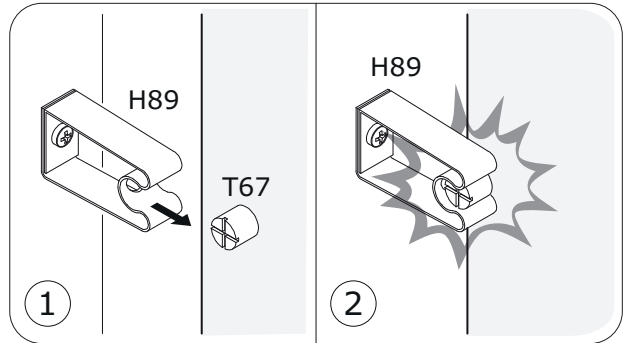
4x



1



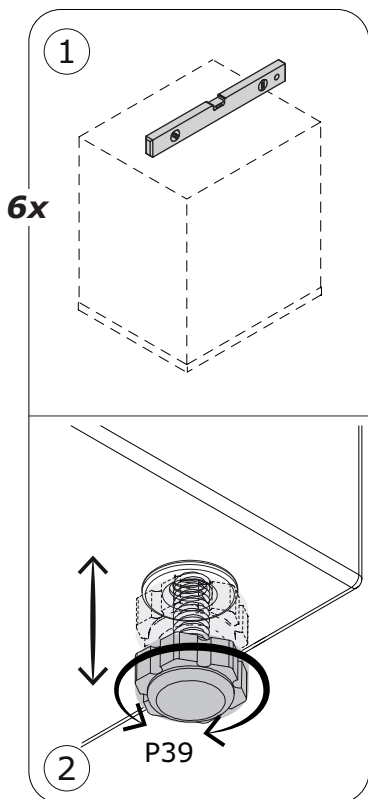
2



1

2

24

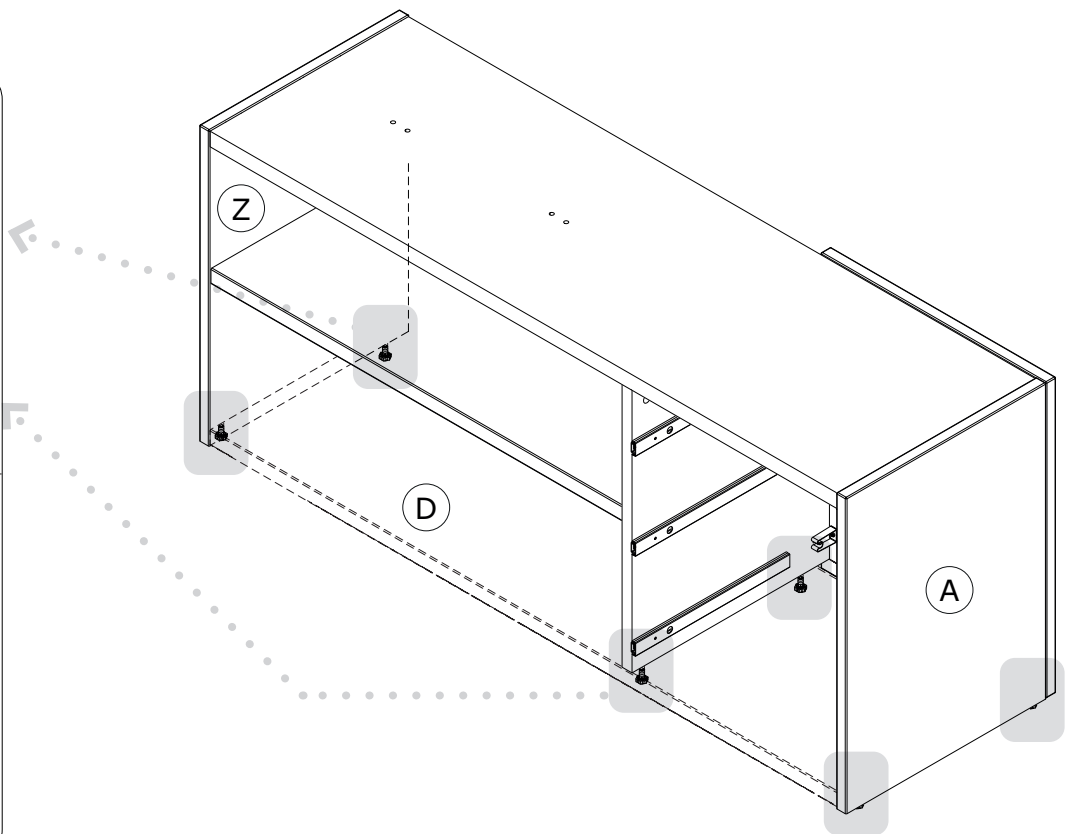


6x

1

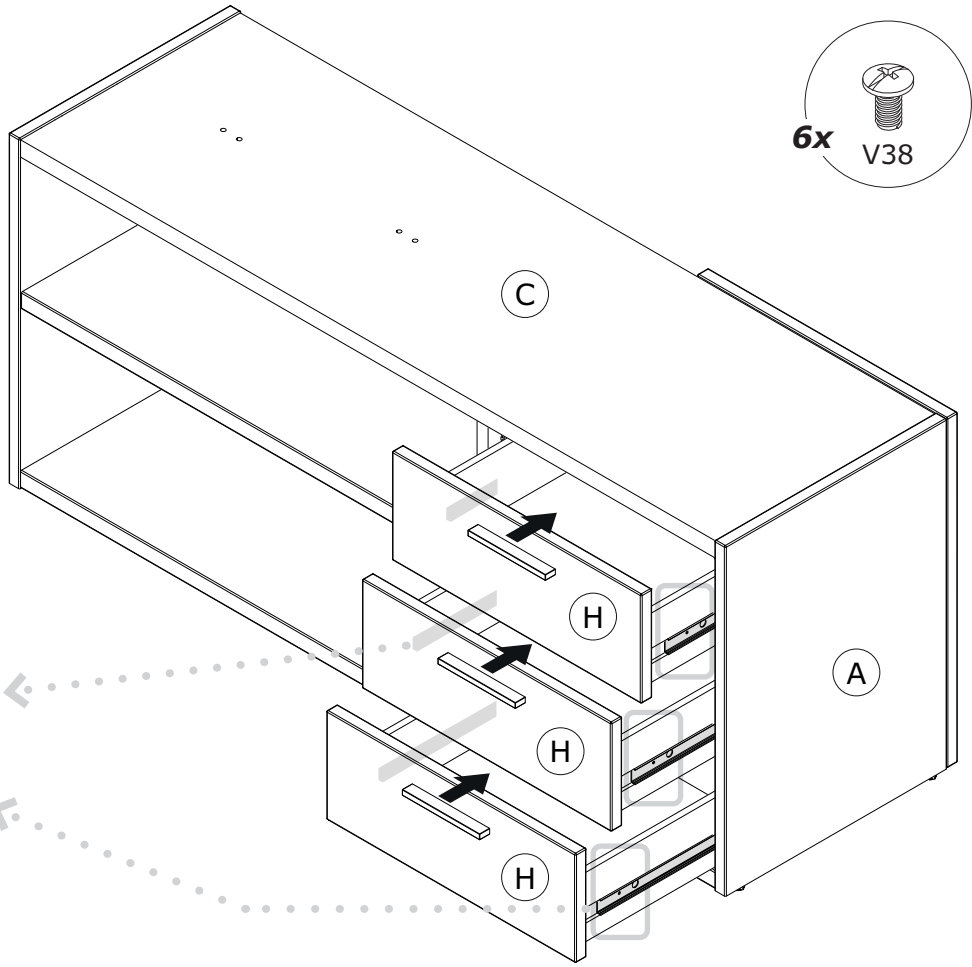
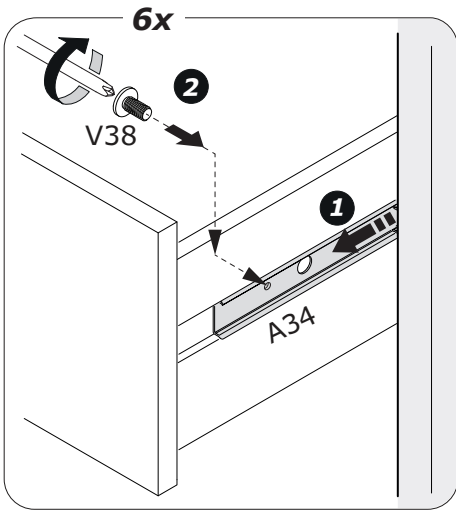
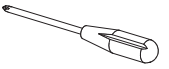
2

P39

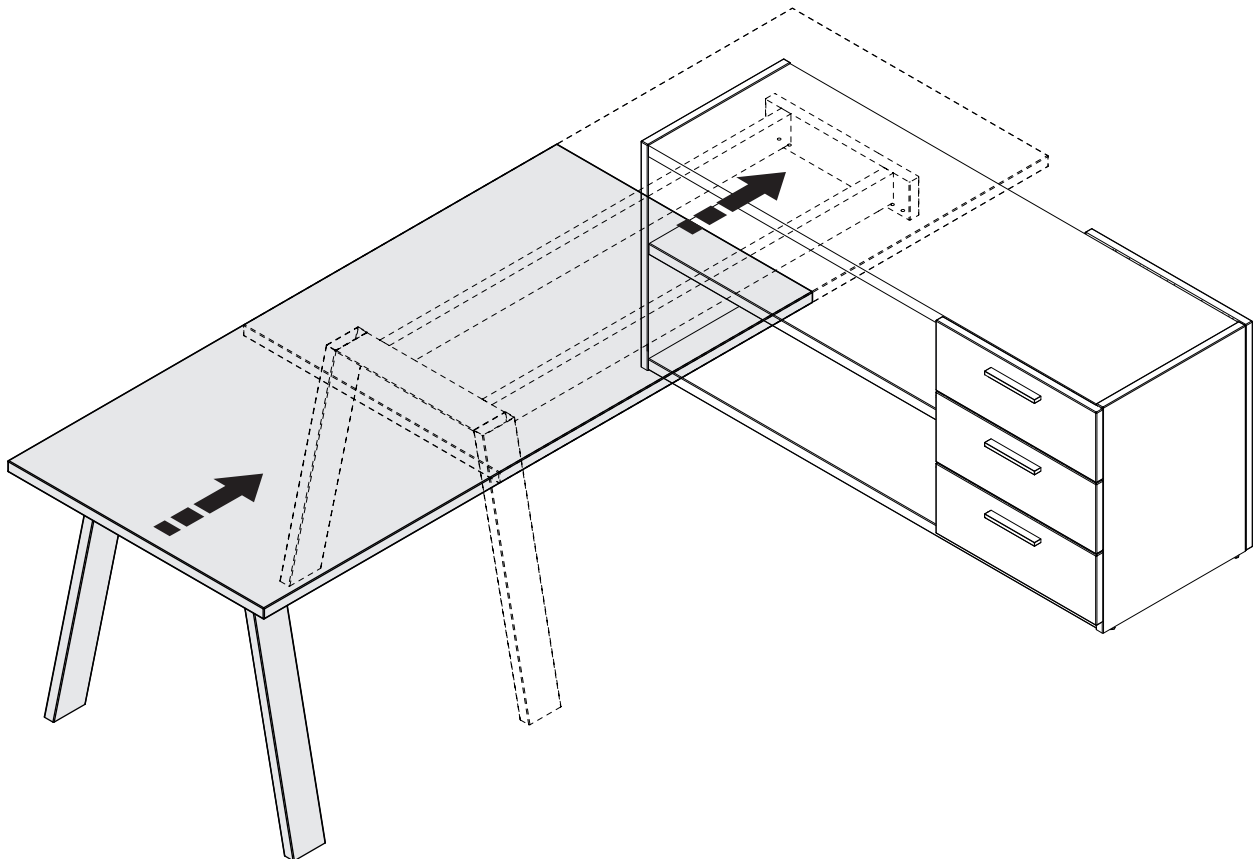


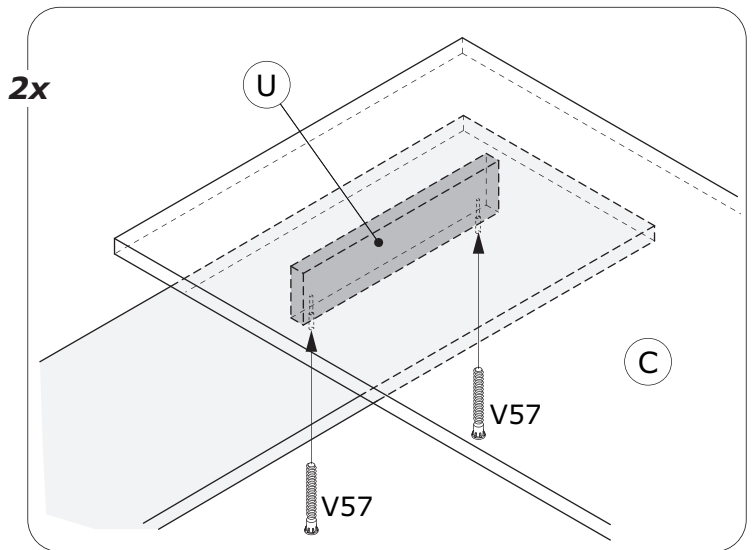
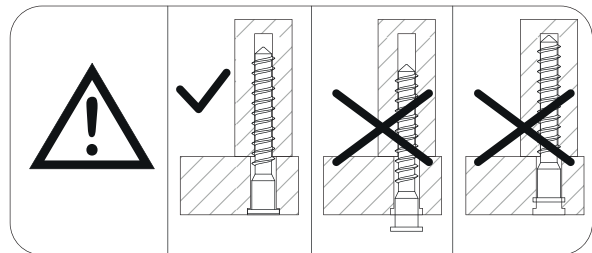
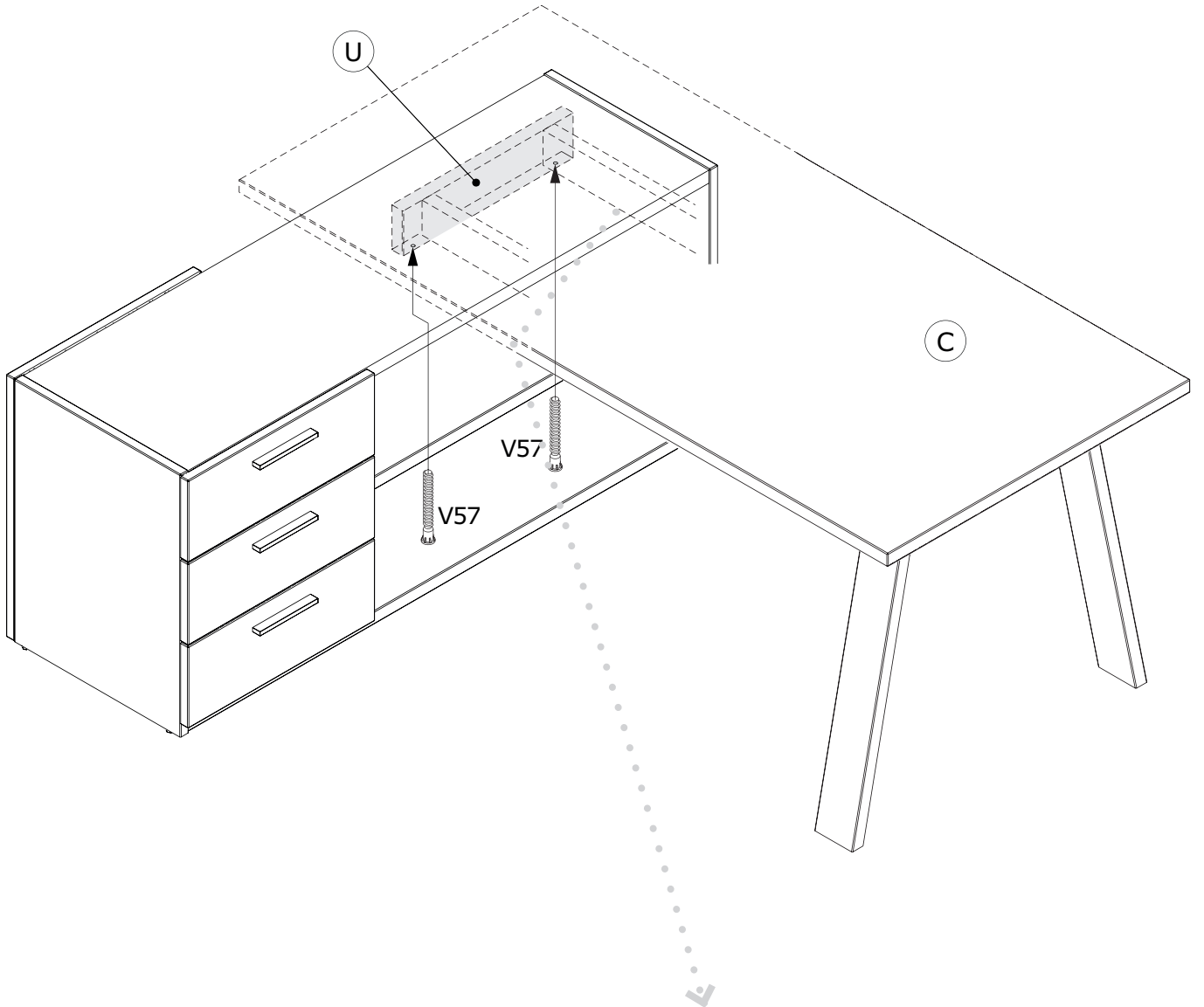
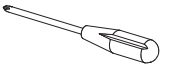
25

A

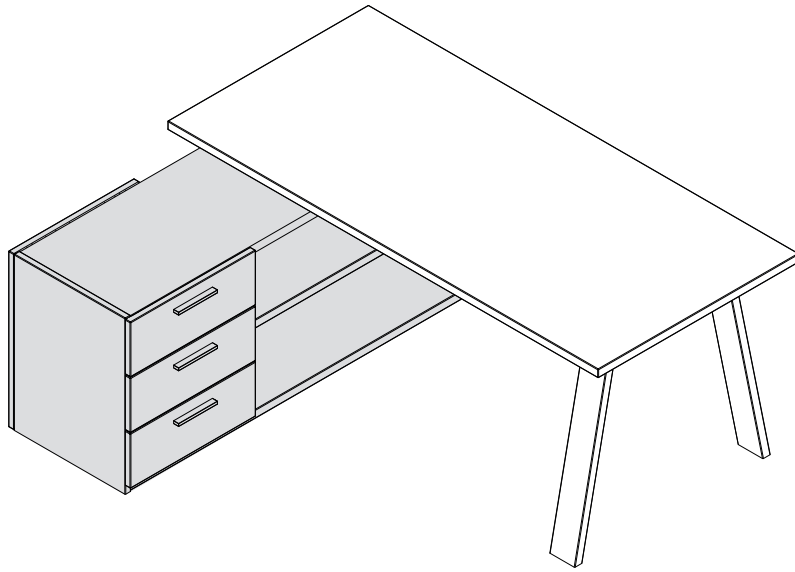


26



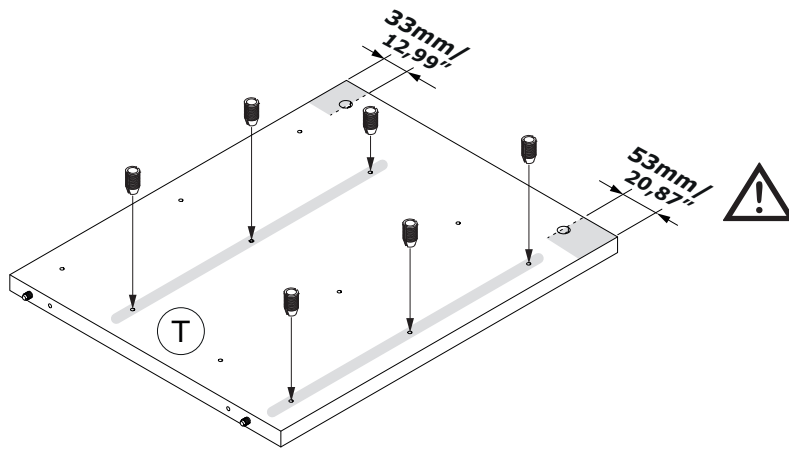
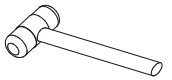


B

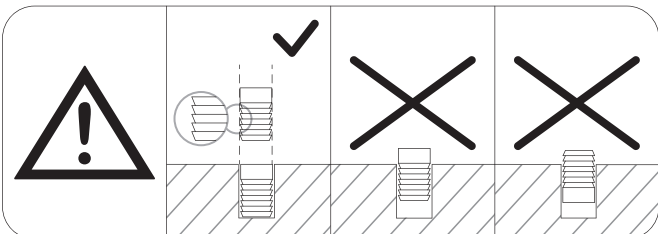
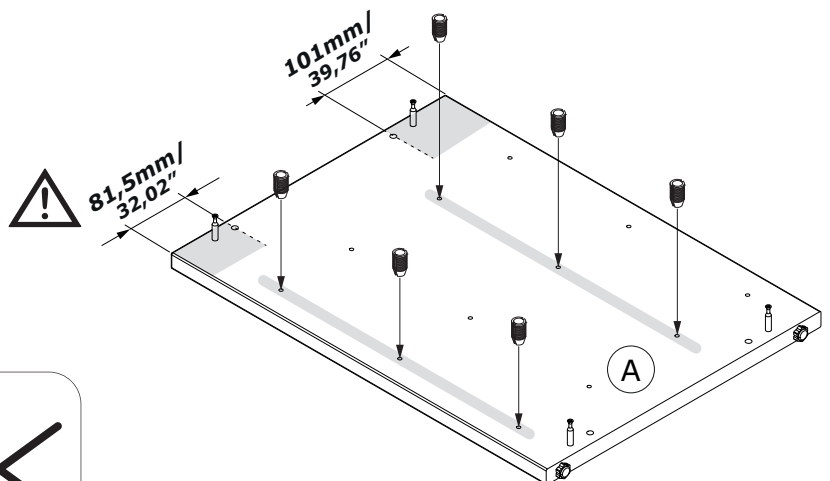
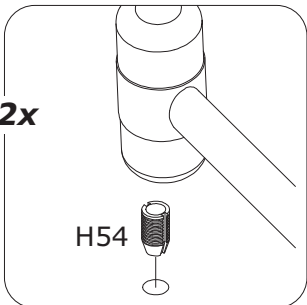


28

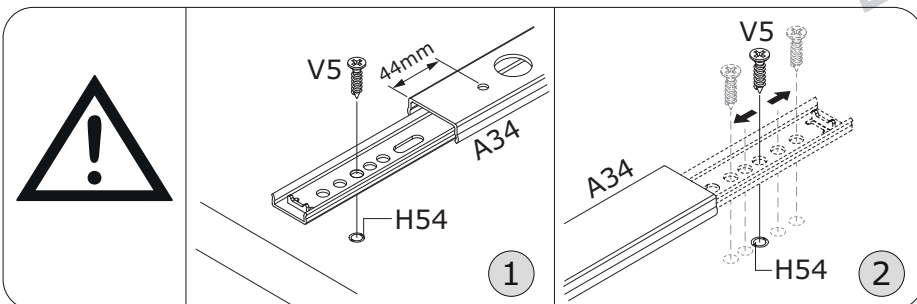
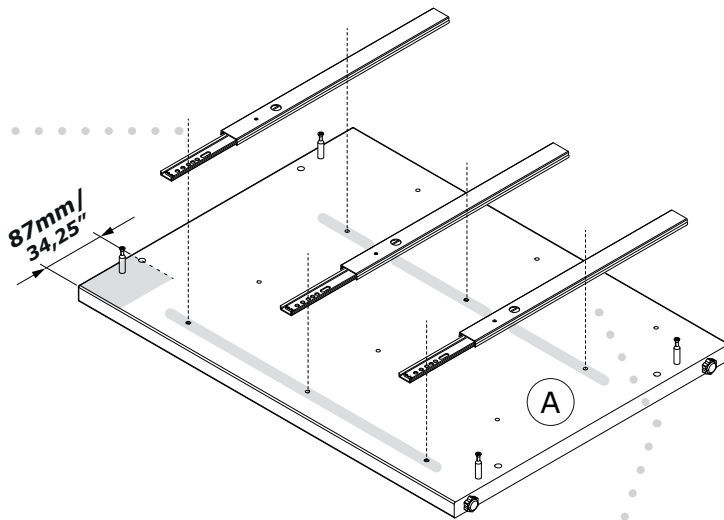
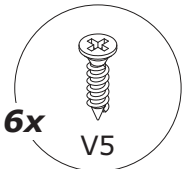
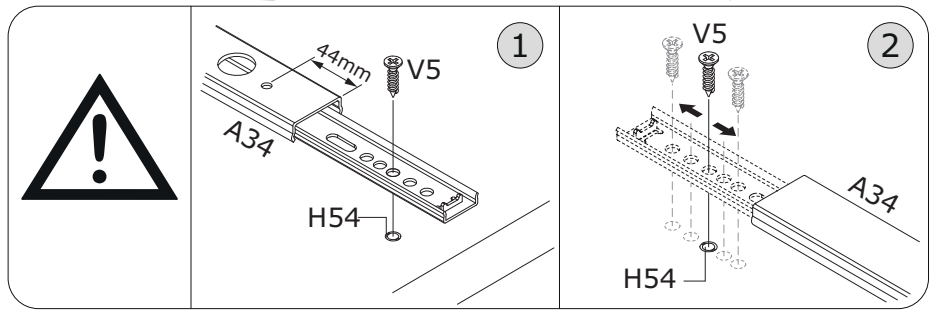
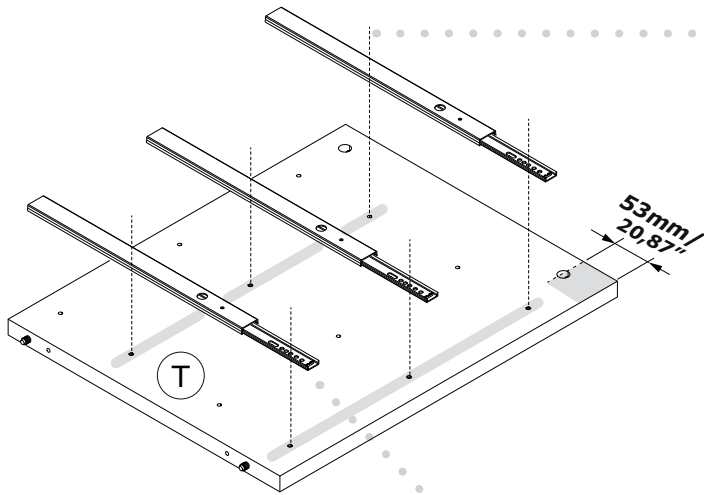
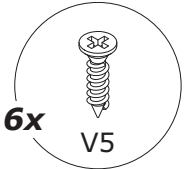
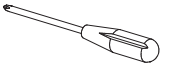
B



12x

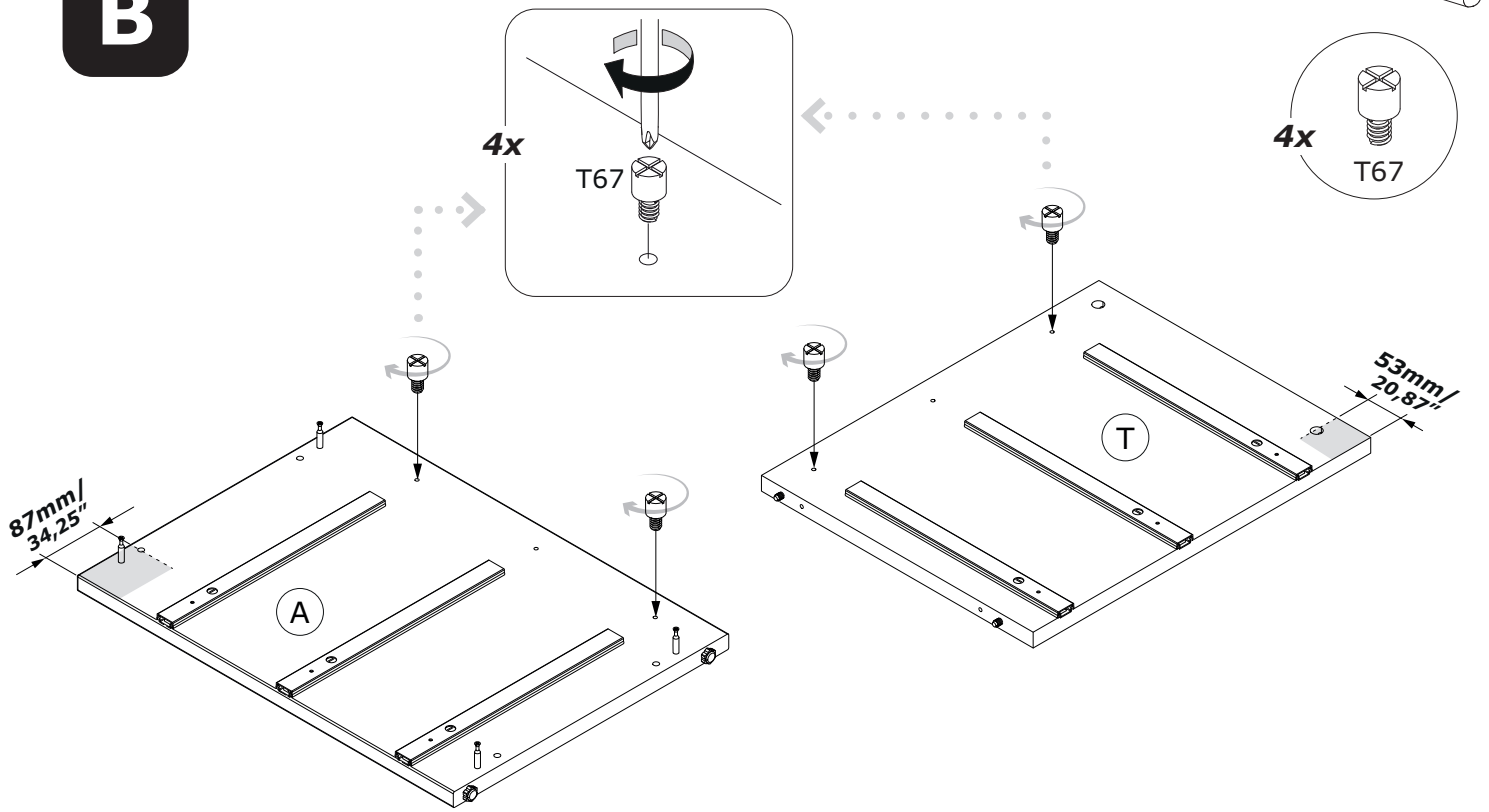


B

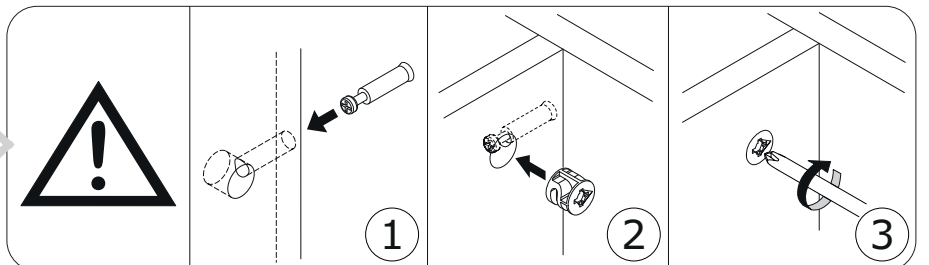
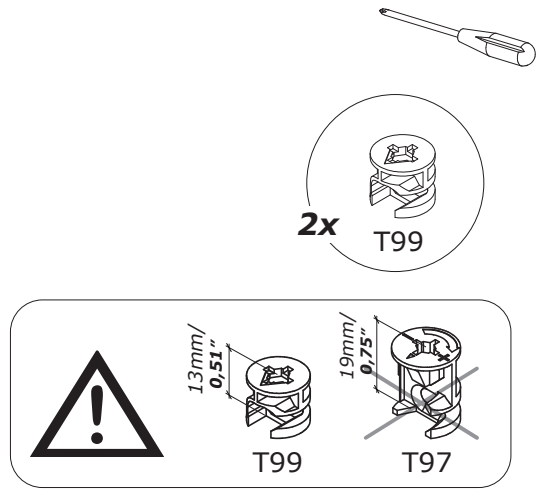
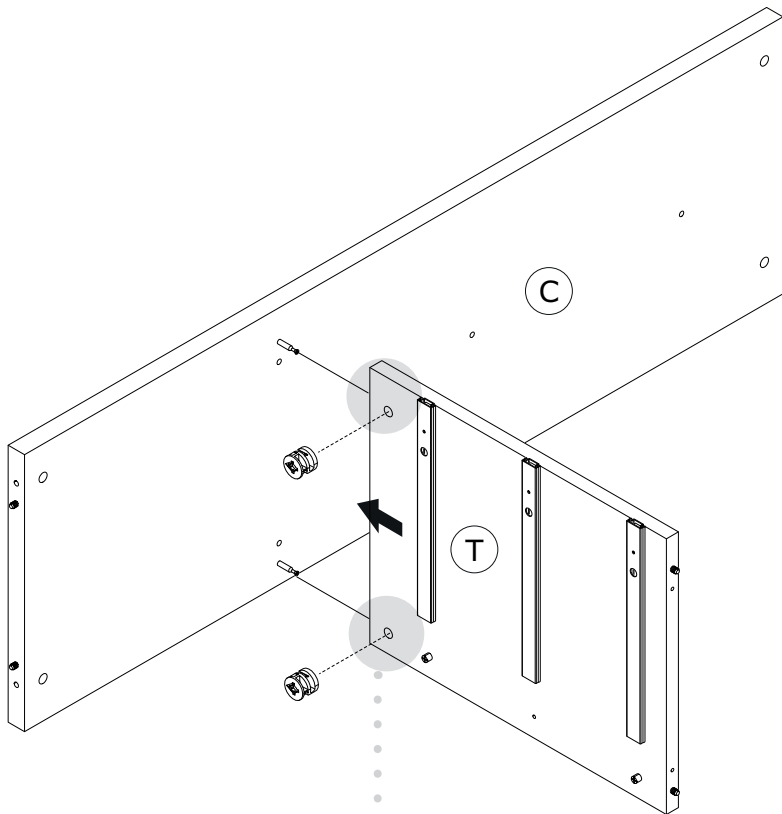


30

B

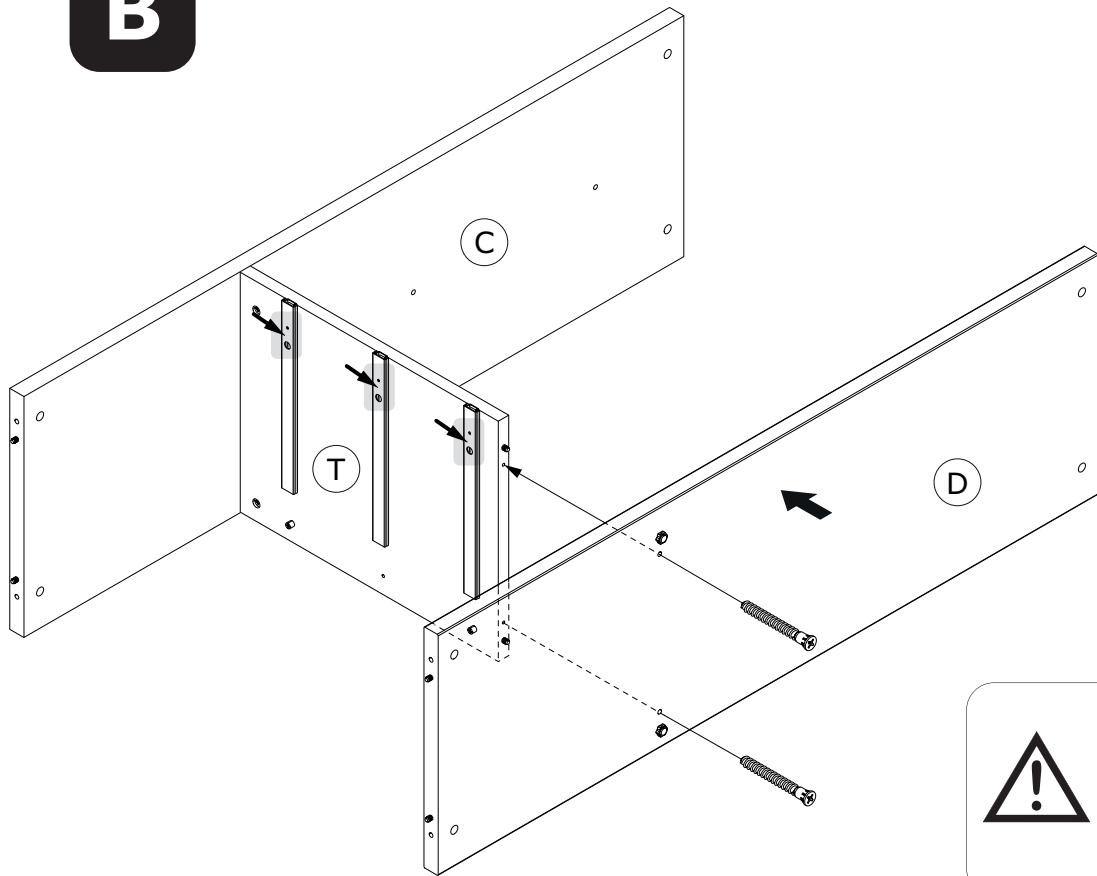


31

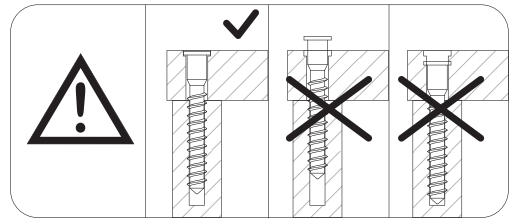
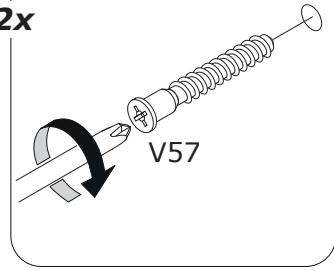


32

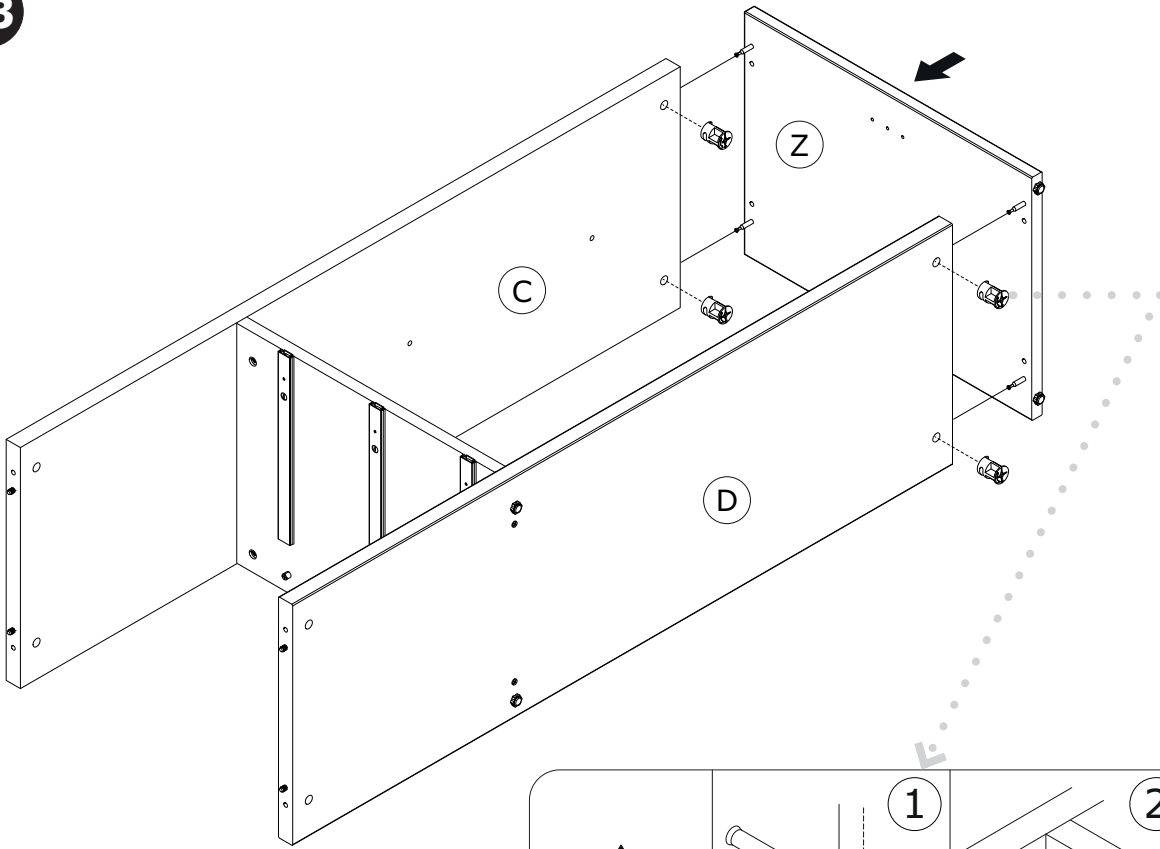
B



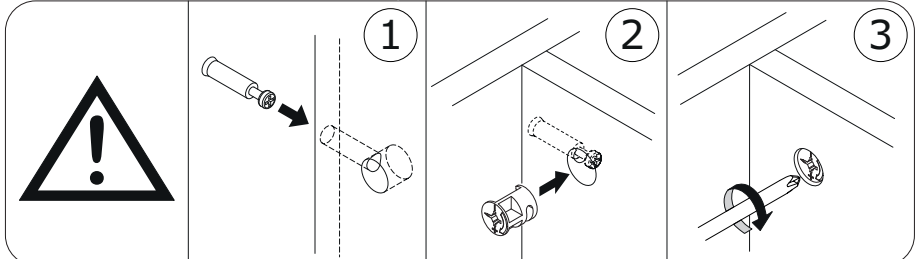
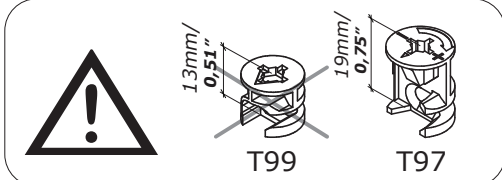
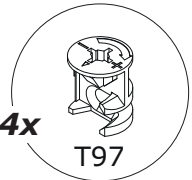
2x



33

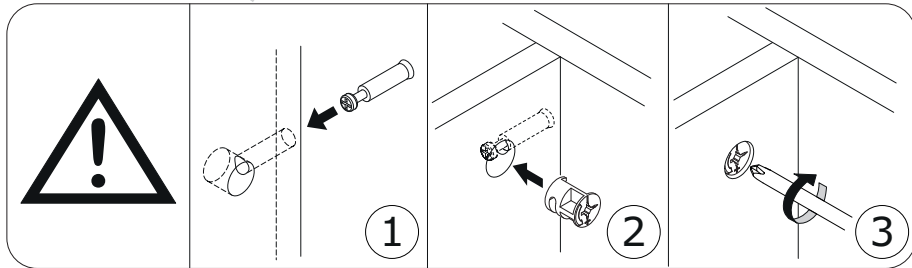
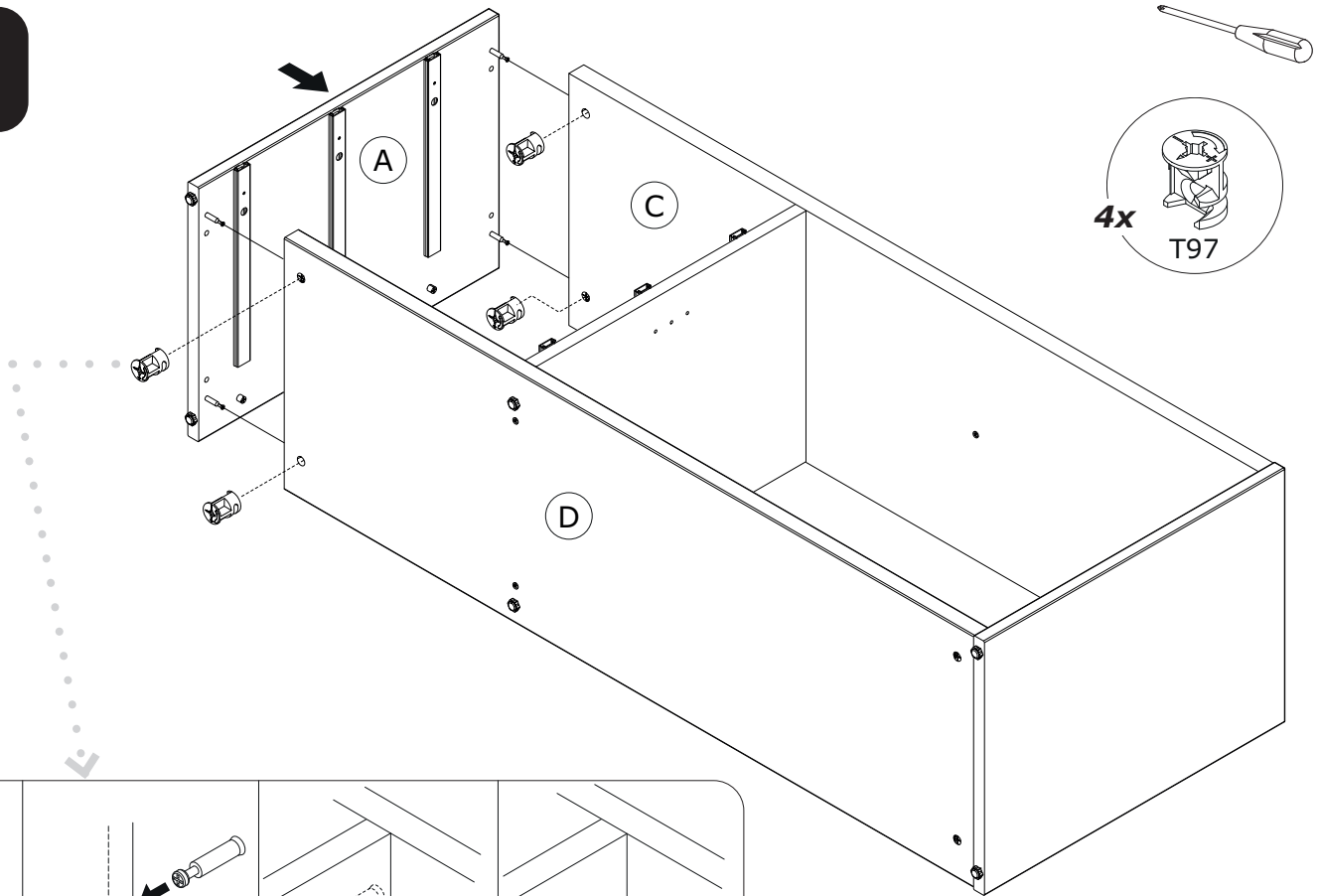


4x

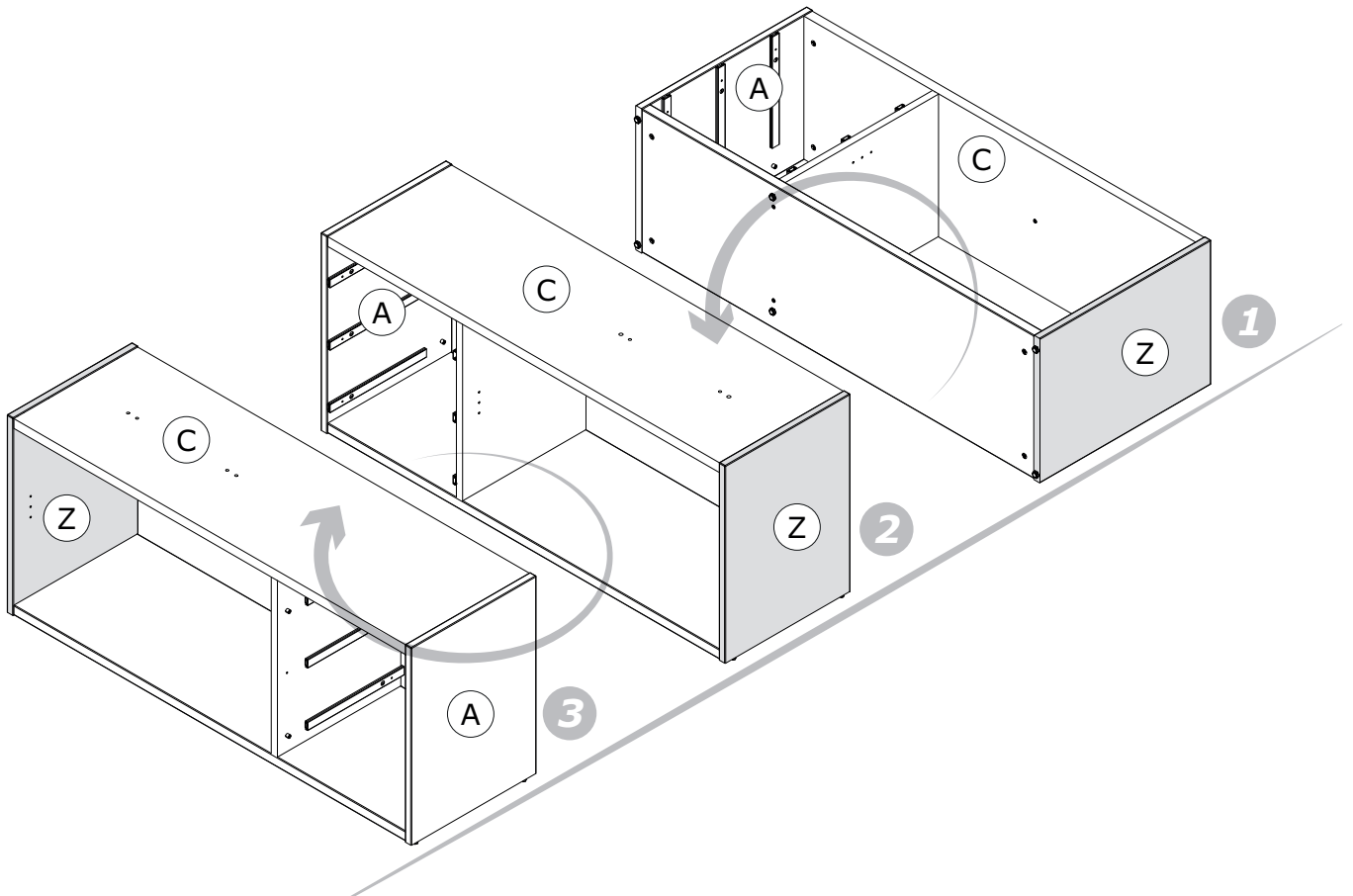


34

B

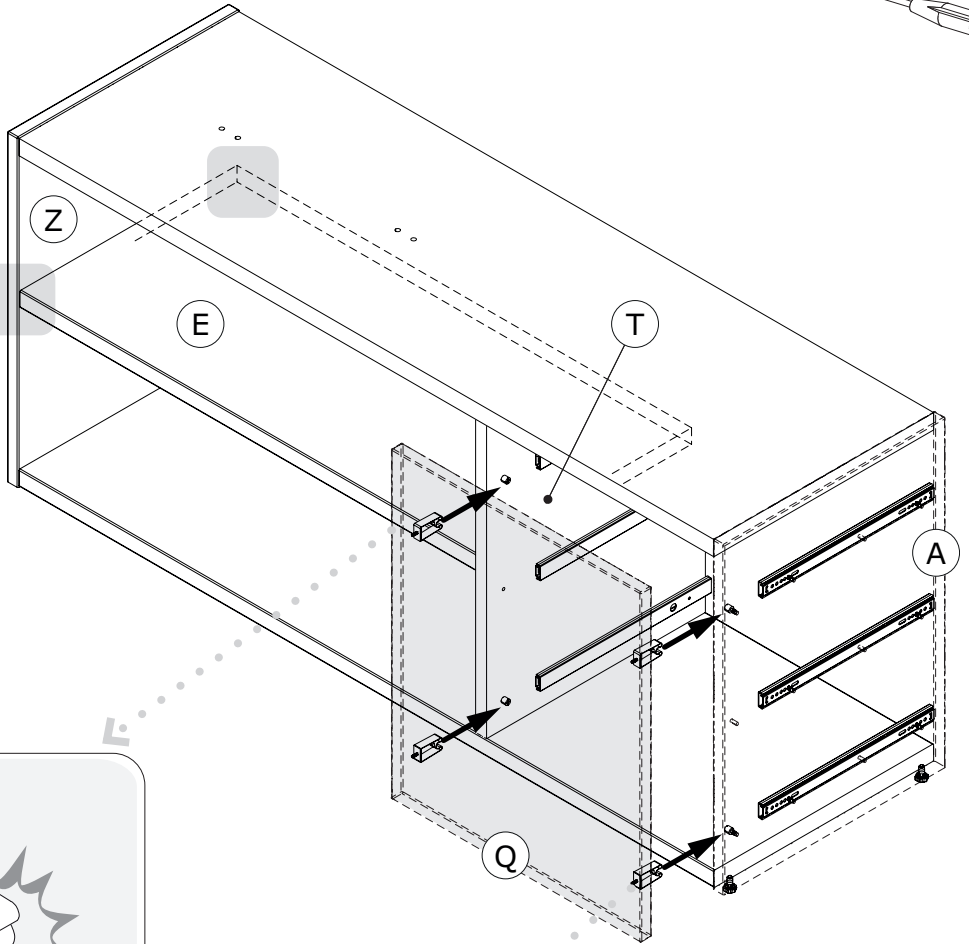
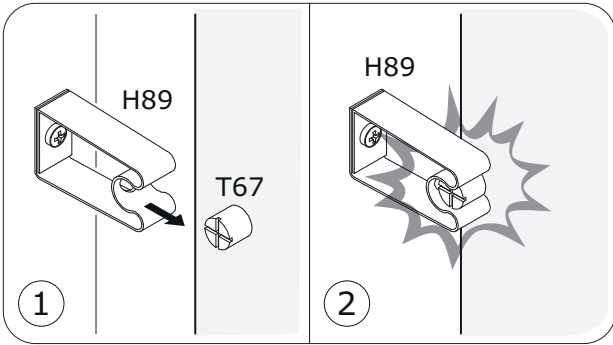
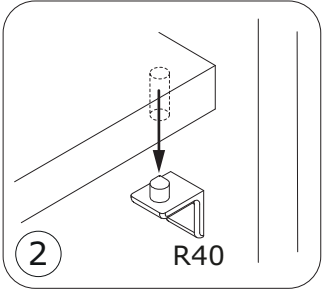
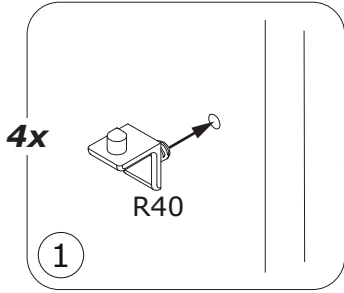
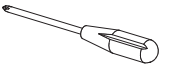


35

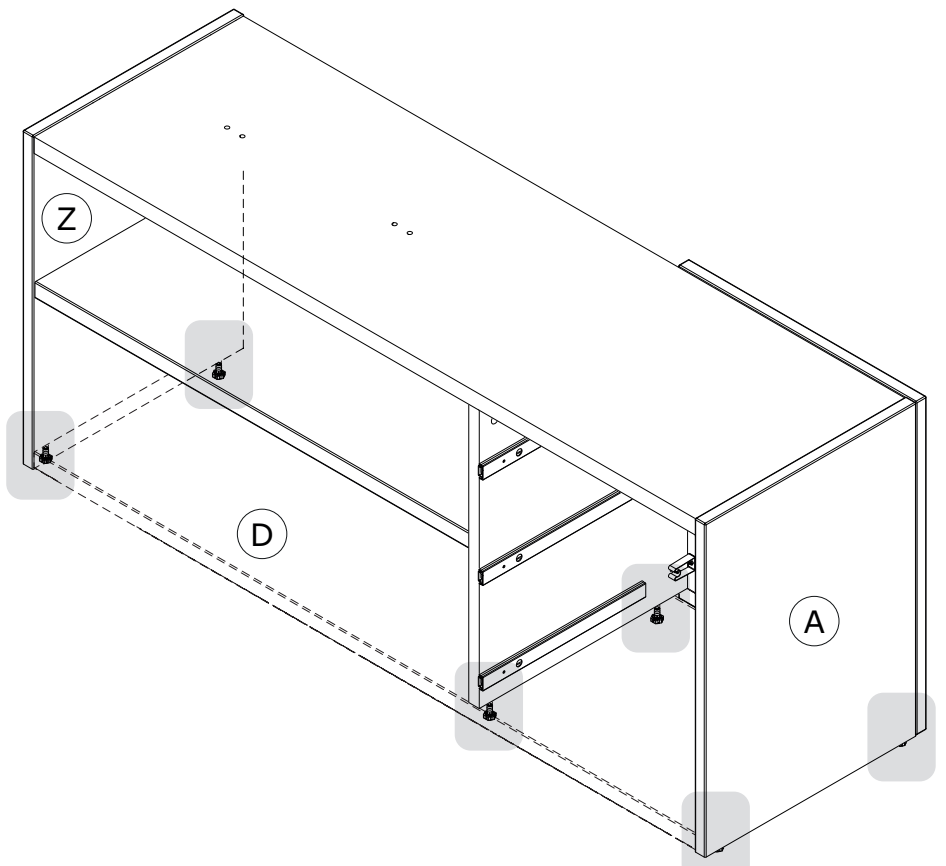
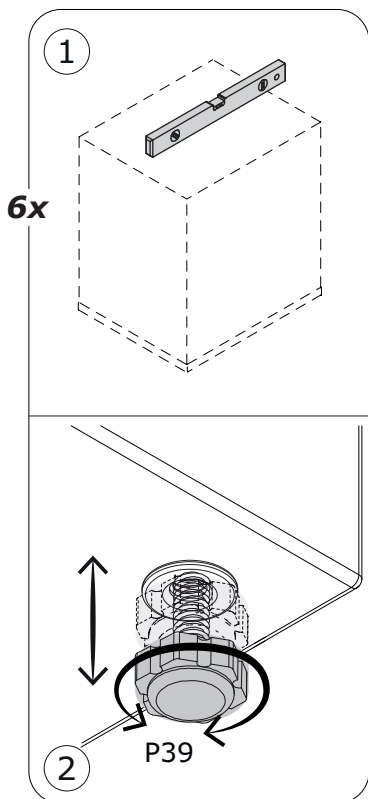


36

B

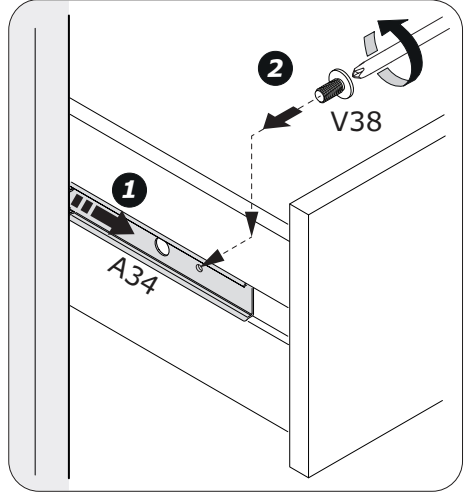
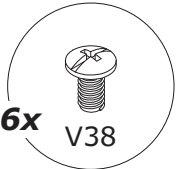
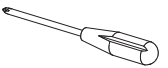
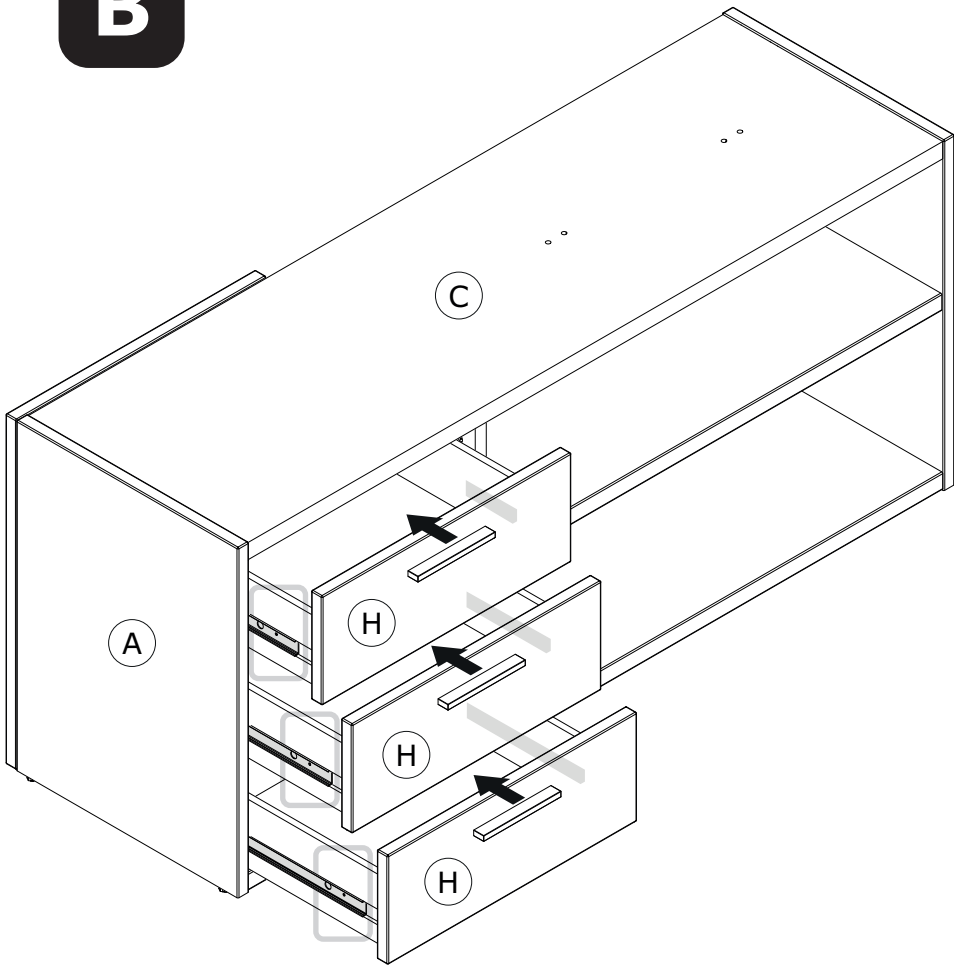


37



38

B



39

