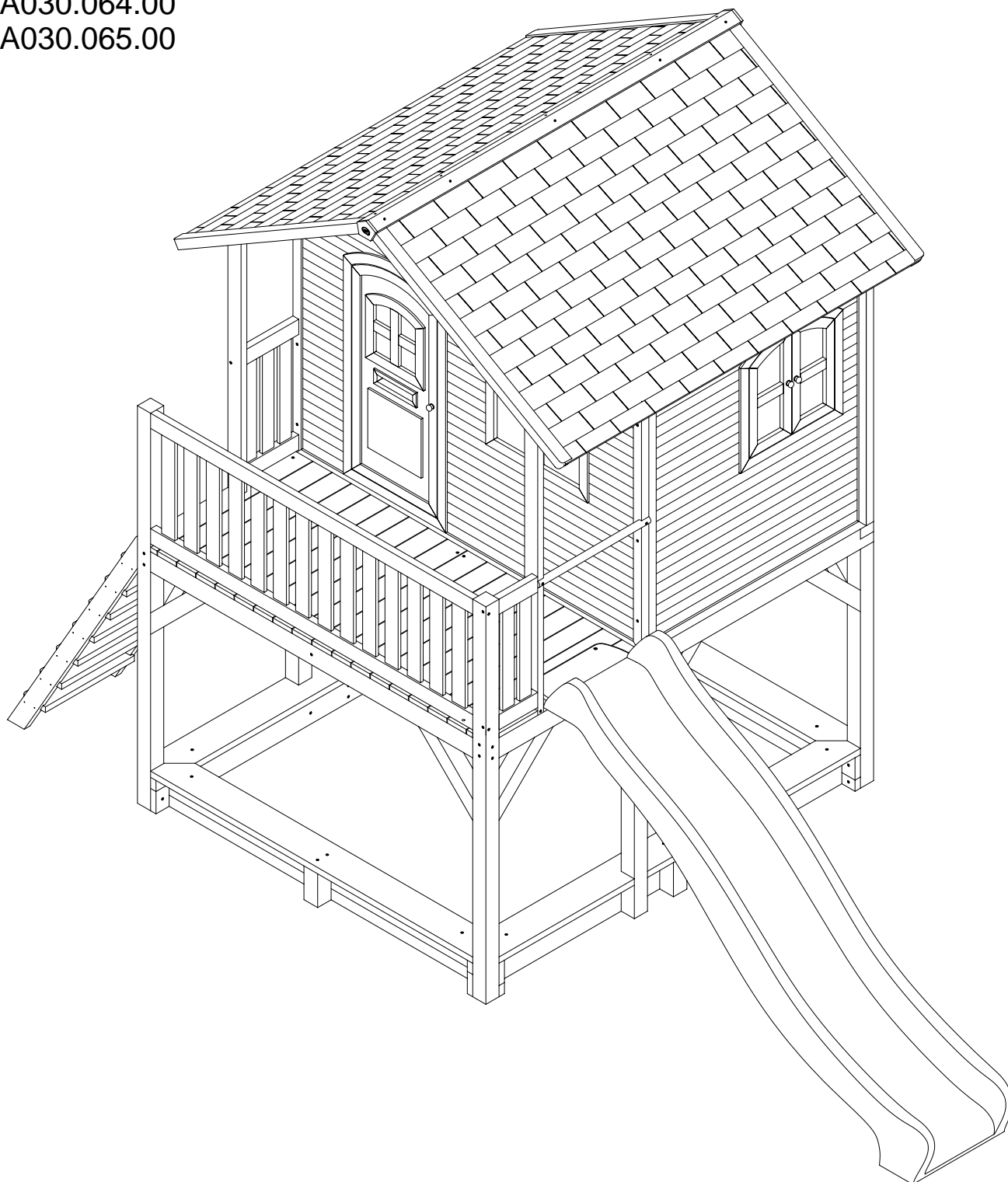


- A030.033.00
- A030.047.00
- A030.057.00
- A030.058.00
- A030.059.00
- A030.060.00
- A030.063.00
- A030.064.00
- A030.065.00





A030.063.00



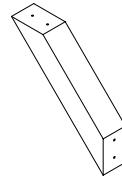
1



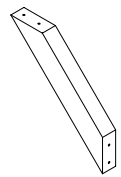
2



5

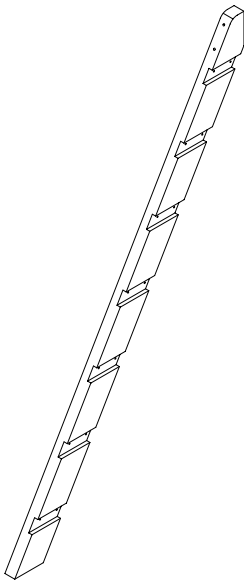


4x 11

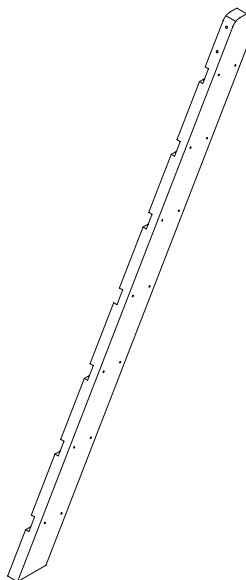


10x 12

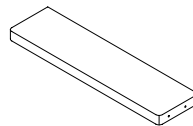
2x



36

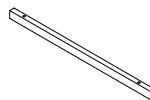


37



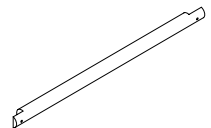
38

7x

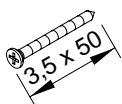


39

3x

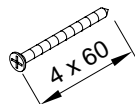


40



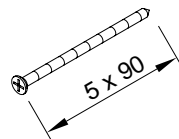
s1

34x



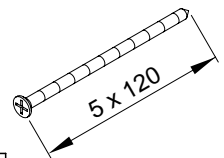
s2

52x



s5

24x

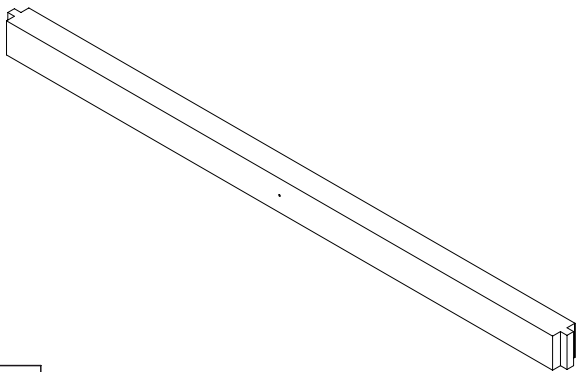


s7

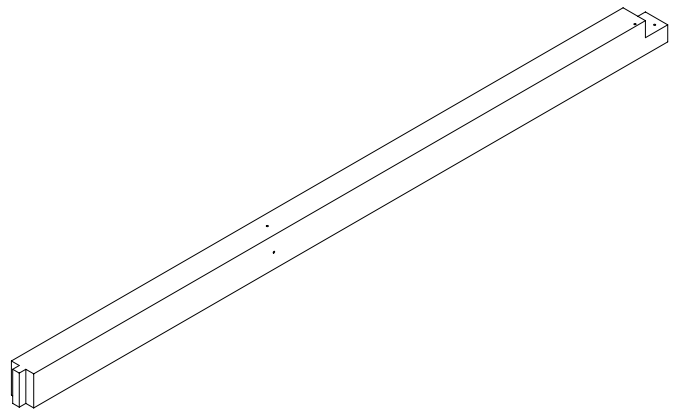
2x



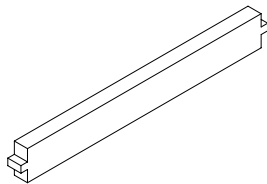
A030.064.00



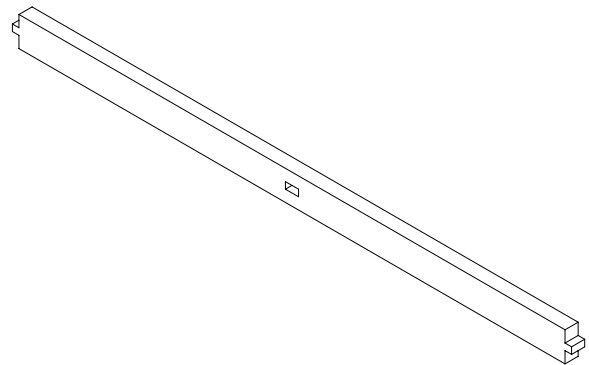
3



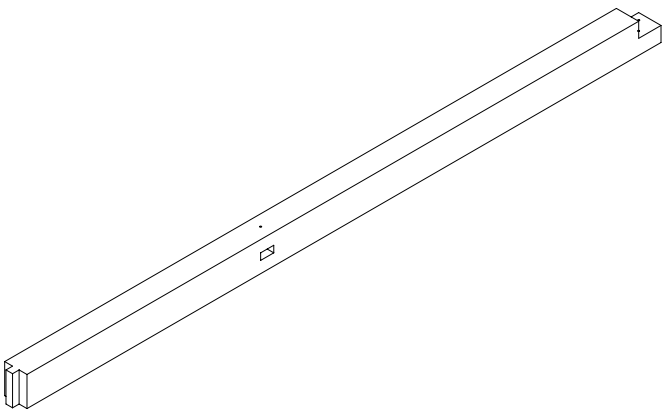
4



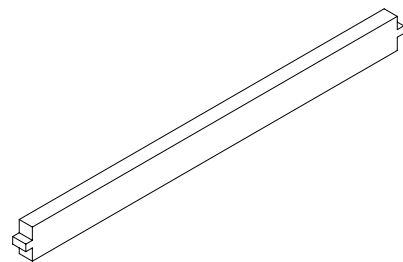
6



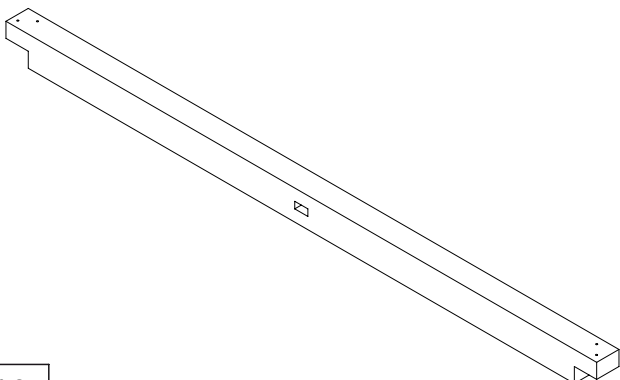
7



8



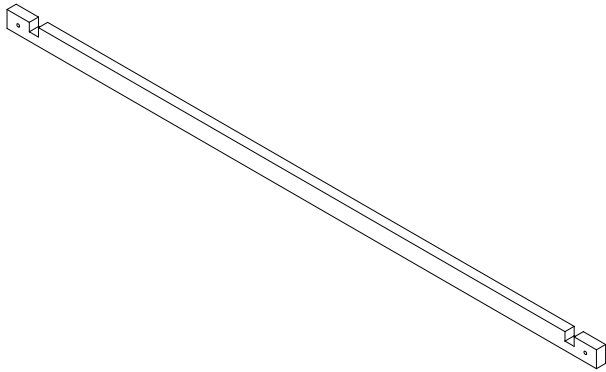
9



10

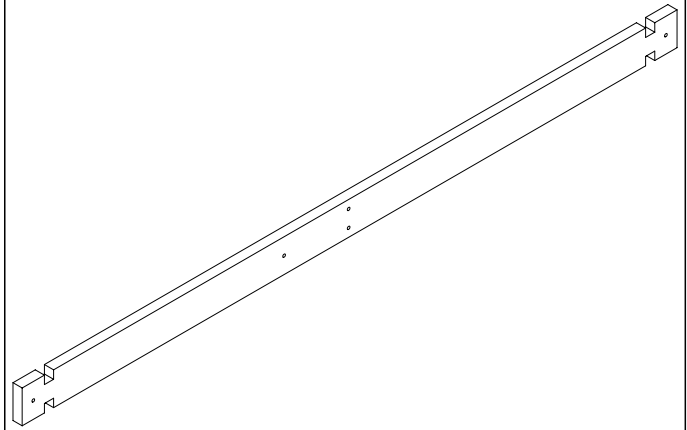


A030.065.00



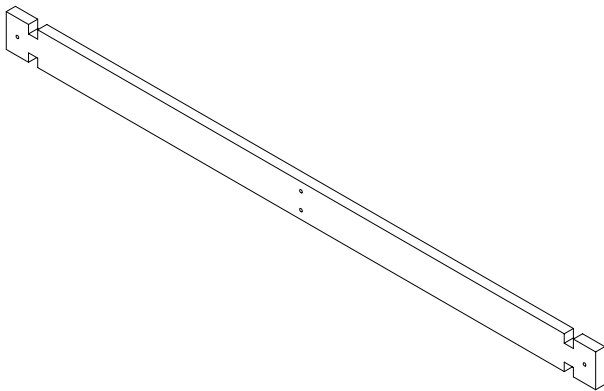
13

2x



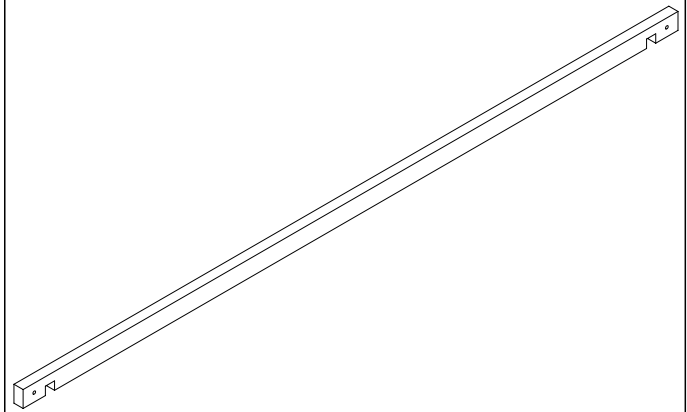
14

2x



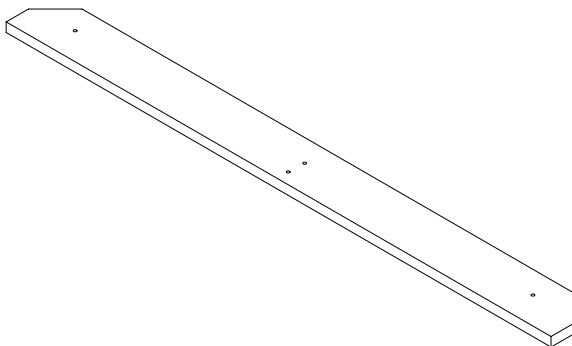
15

2x



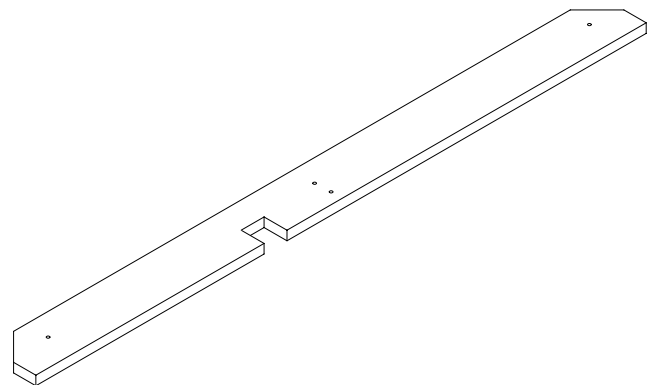
16

2x



18

2x



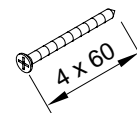
17

2x



19

4x

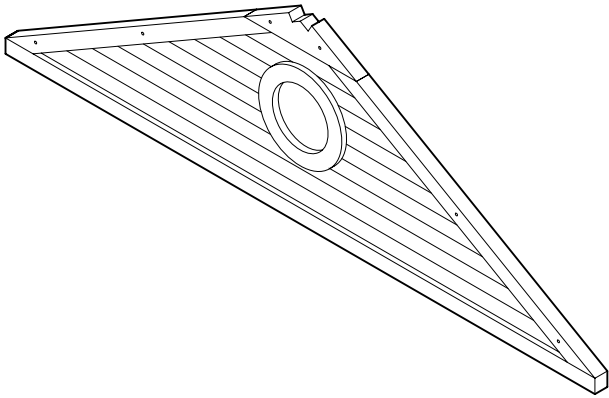


s2

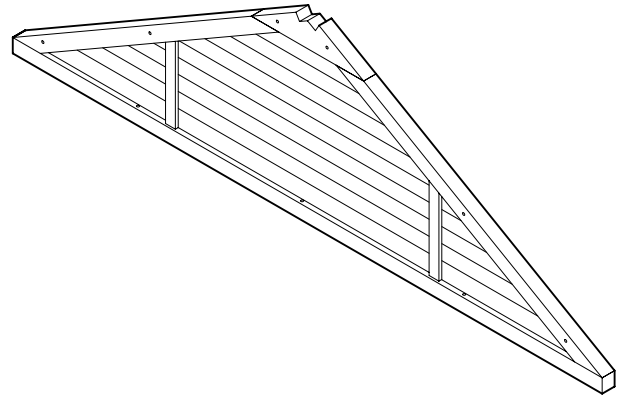
42x



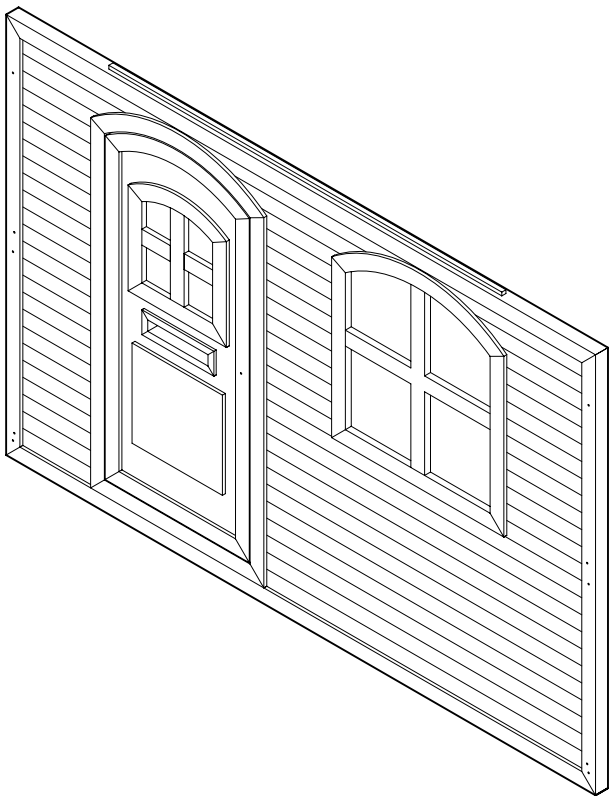
A030.057.00



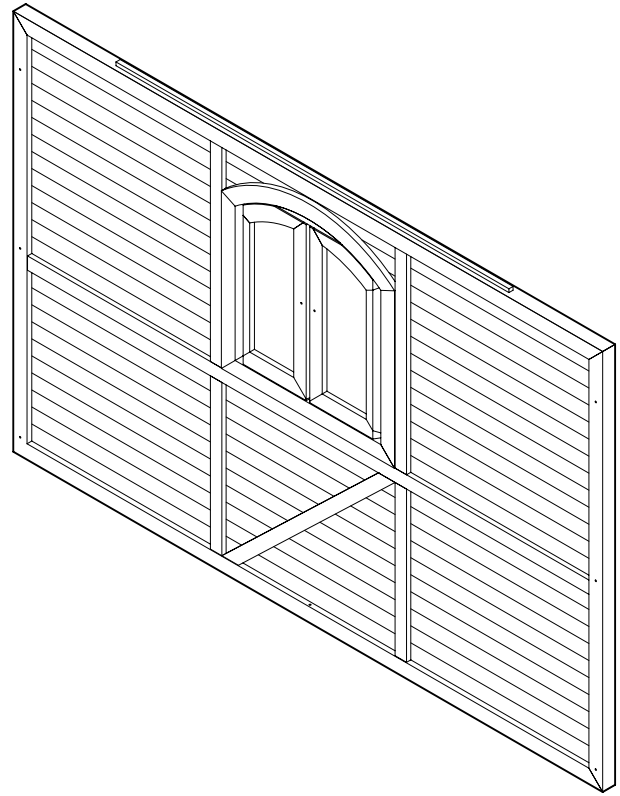
29



30



22



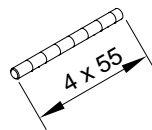
26



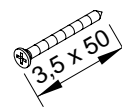
27

14x

t1

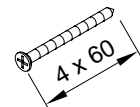


7x



s1

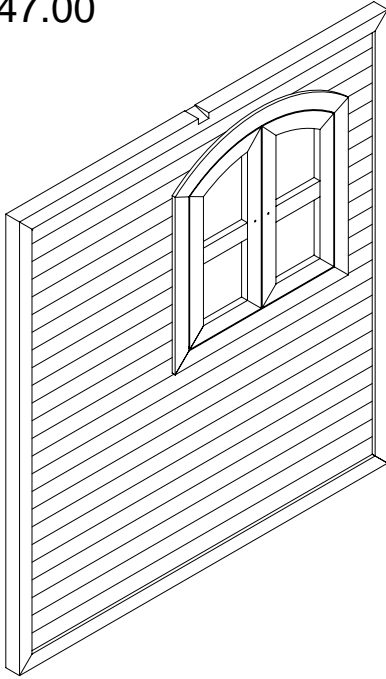
25x



s2

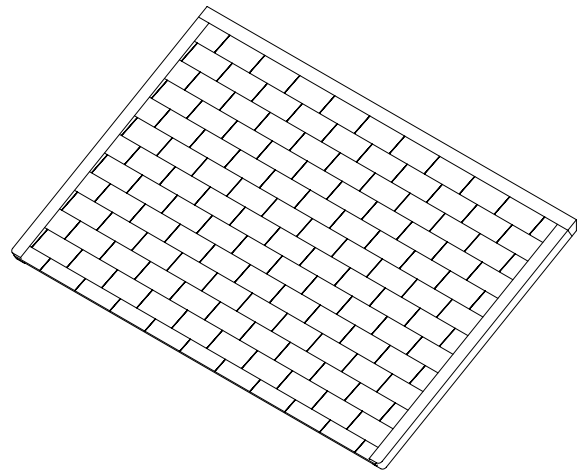
34x

A030.047.00



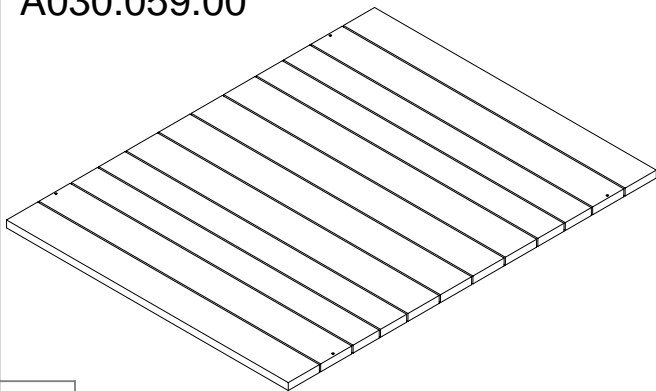
25

A030.058.00



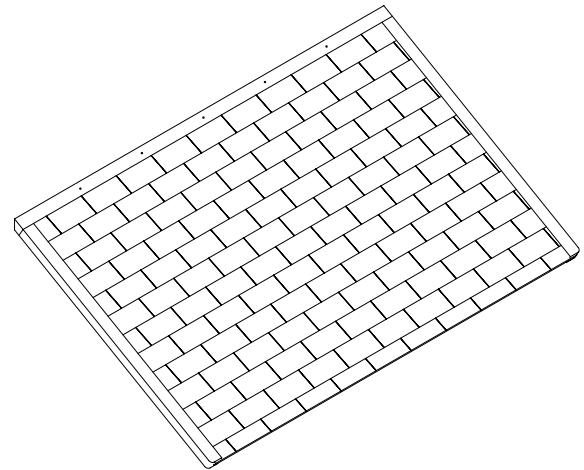
33

A030.059.00



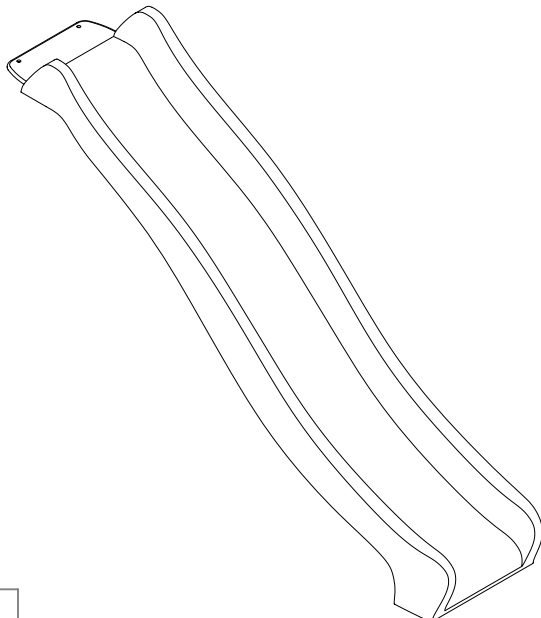
28

2x

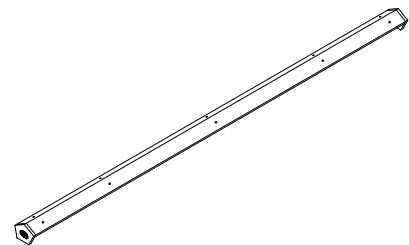


34

A030.033.00

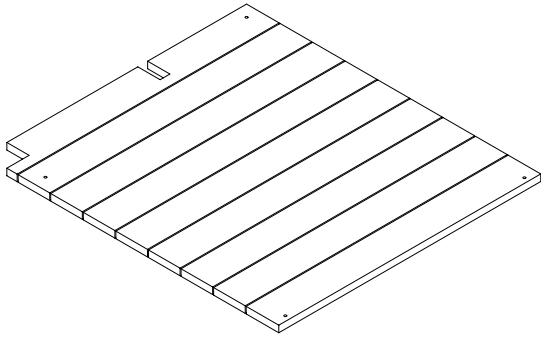


41

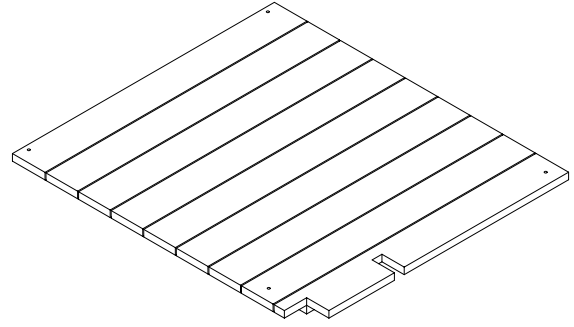


35

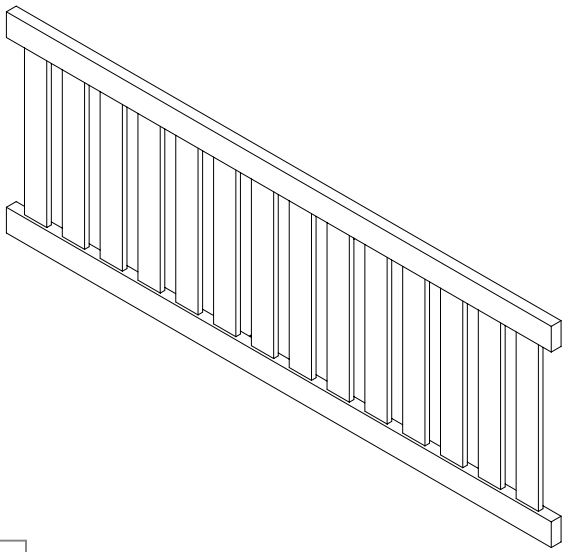
A030.060.00



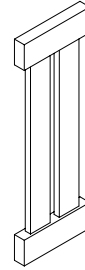
20



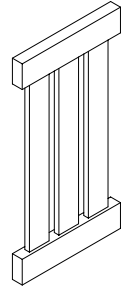
21



31



32

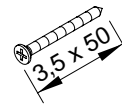


24



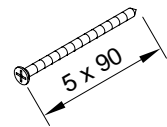
23

2x



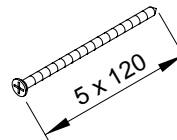
s1

8x



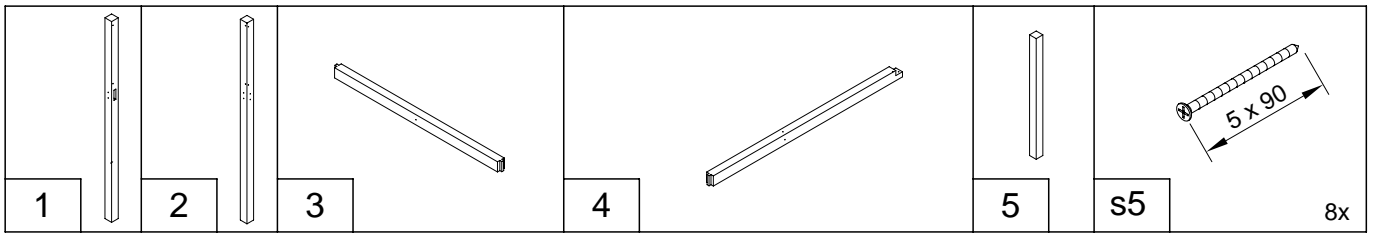
s5

6x

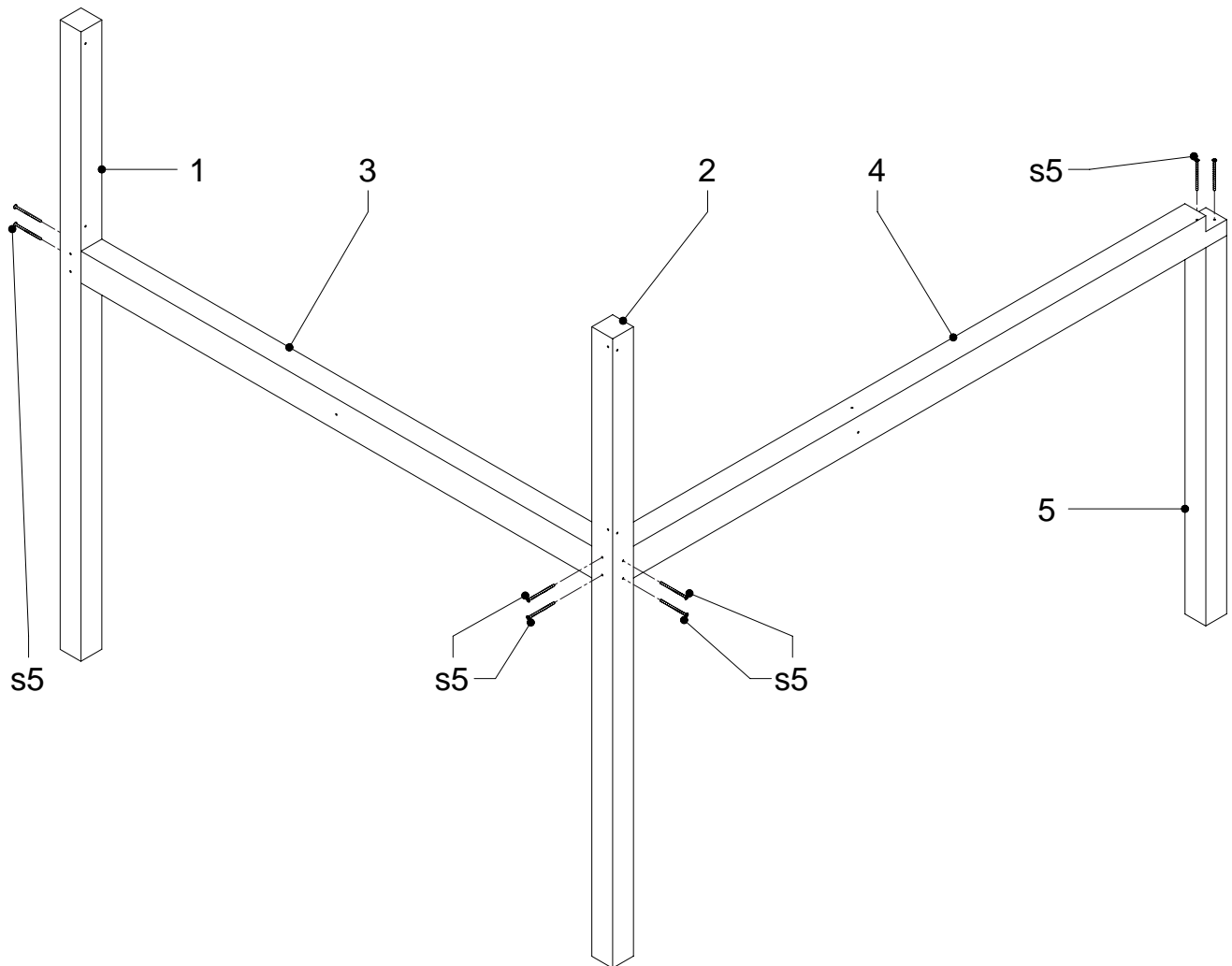


s7



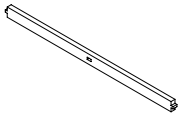
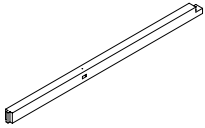
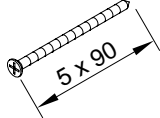
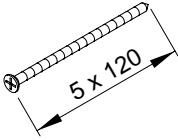
8x



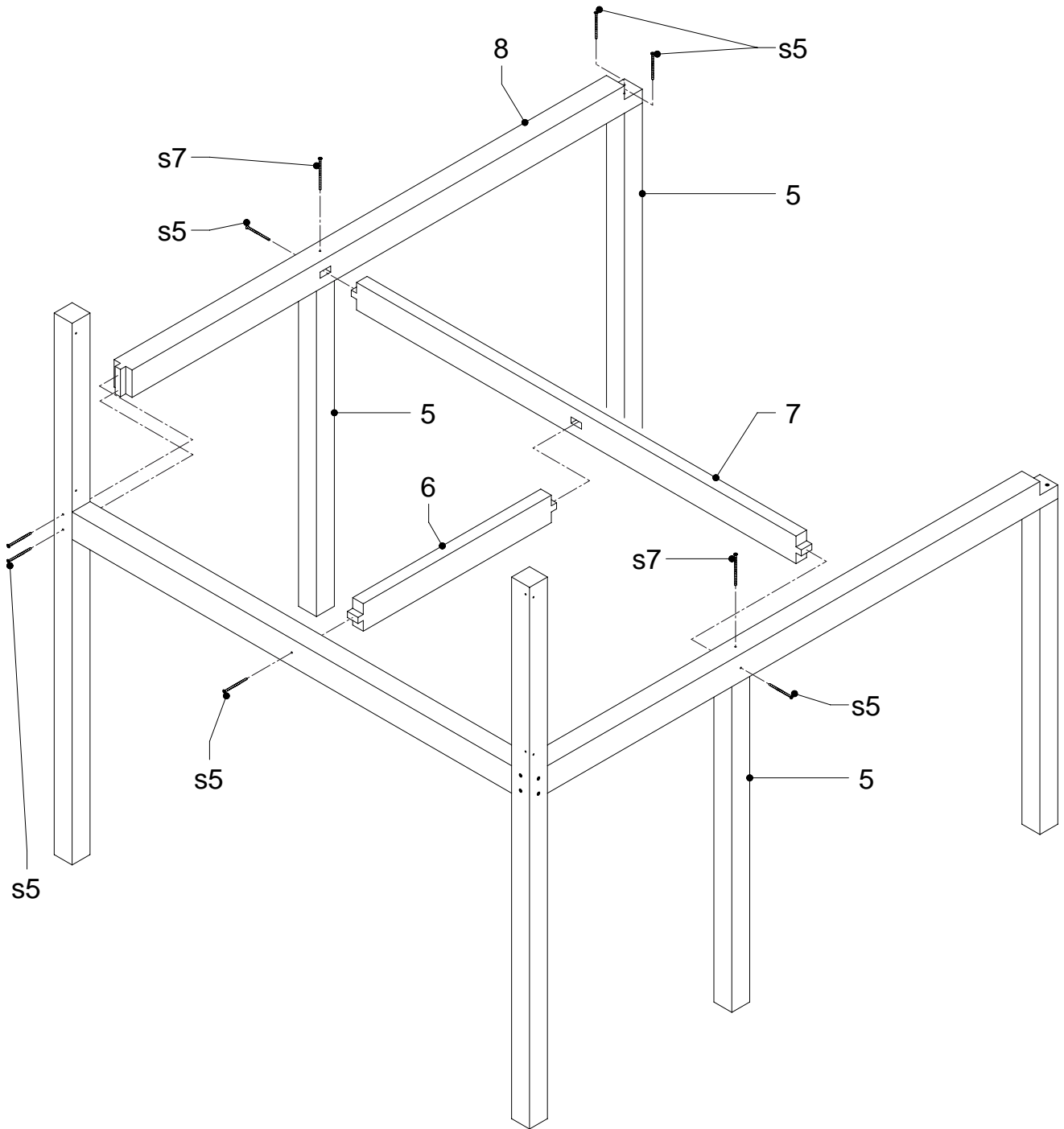
A030.063.00 + A030.064.00





								
5	3x	6	7	8	s5	7x	s7	2x

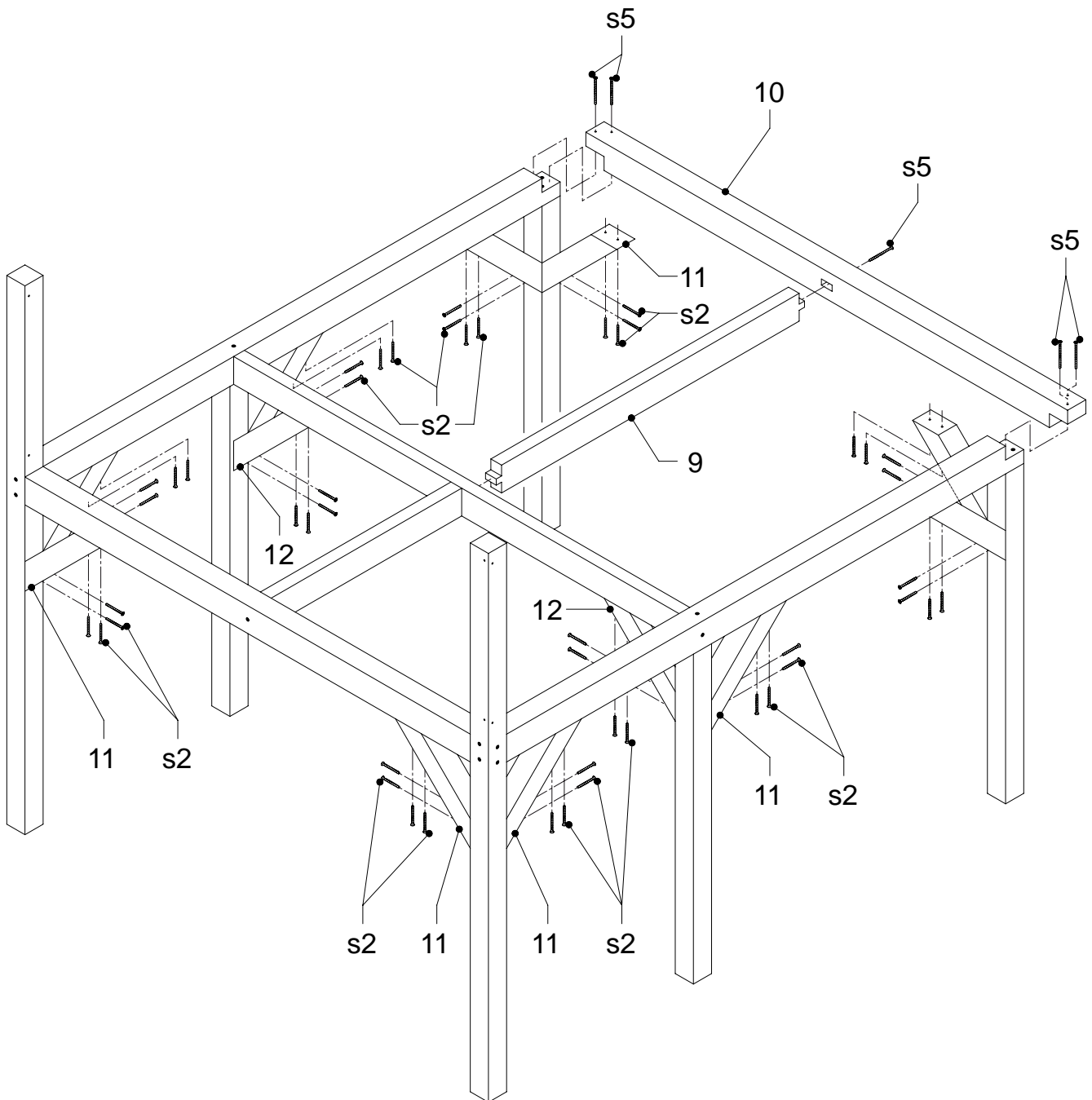
A030.063.00 + A030.064.00

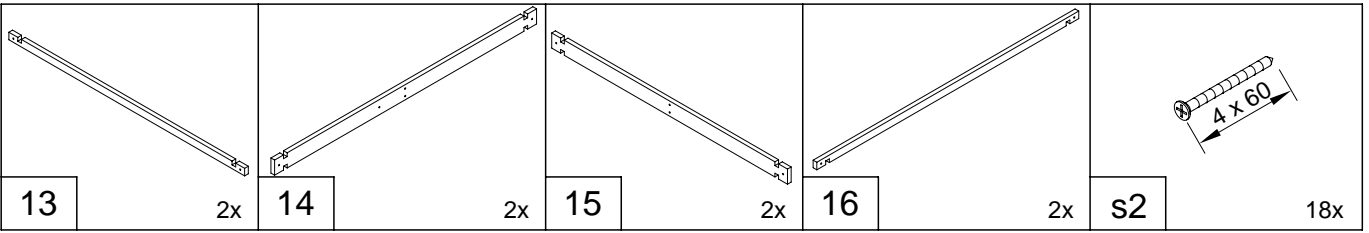




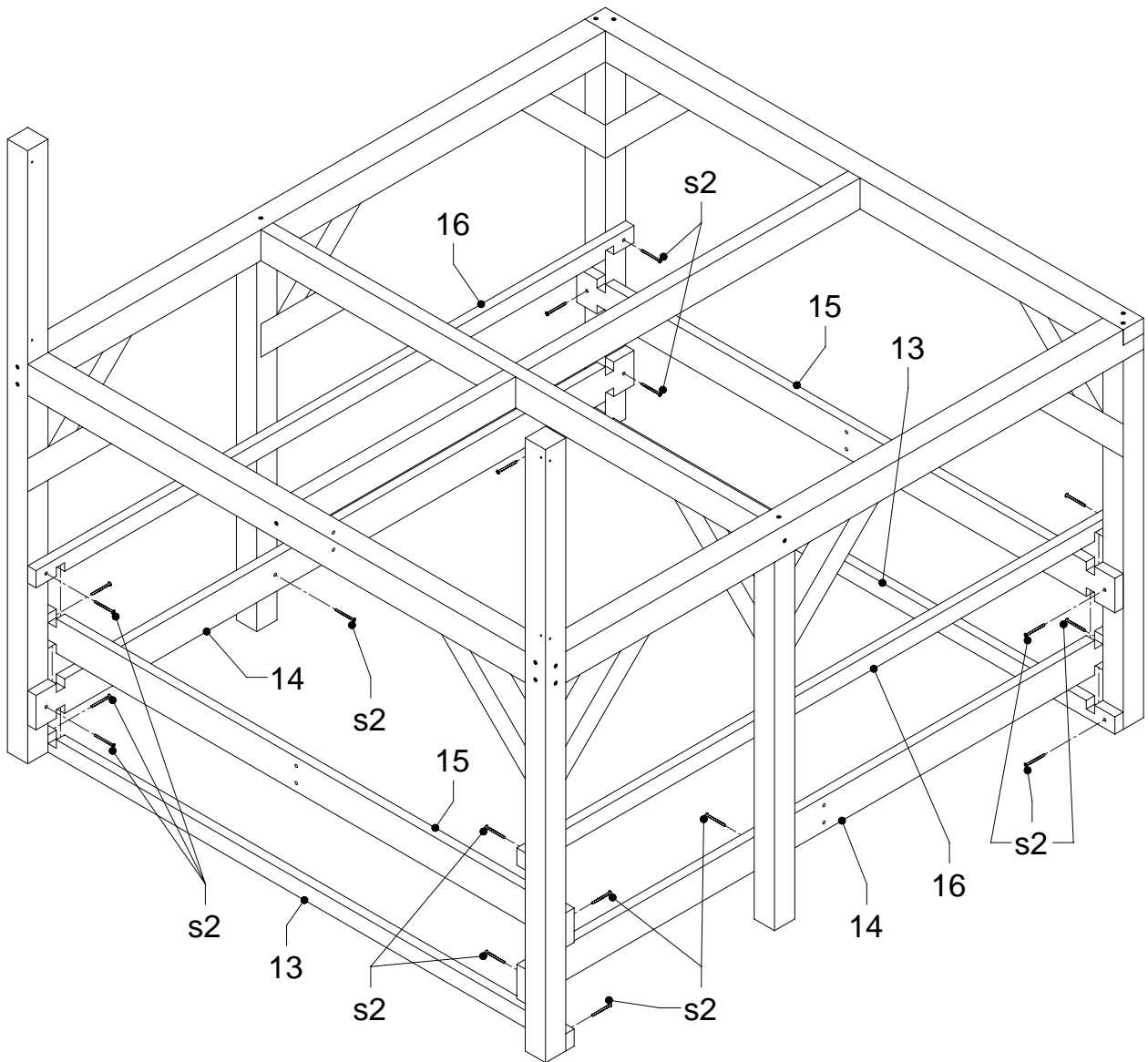
9	10	11 10x	12 2x	s2 48x	s5 5x

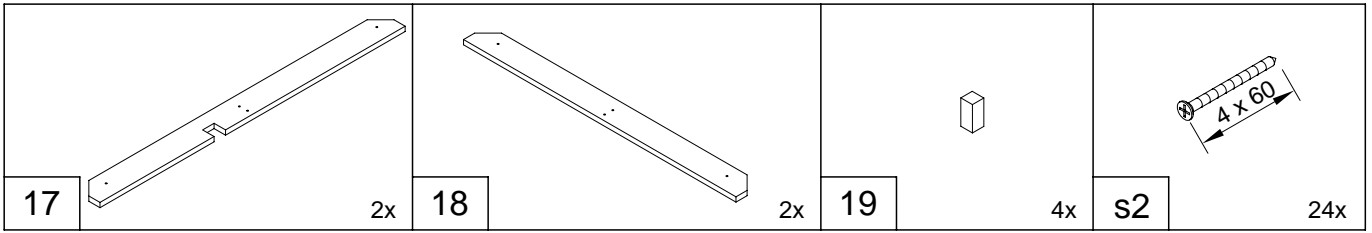
A030.063.00 + A030.064.00



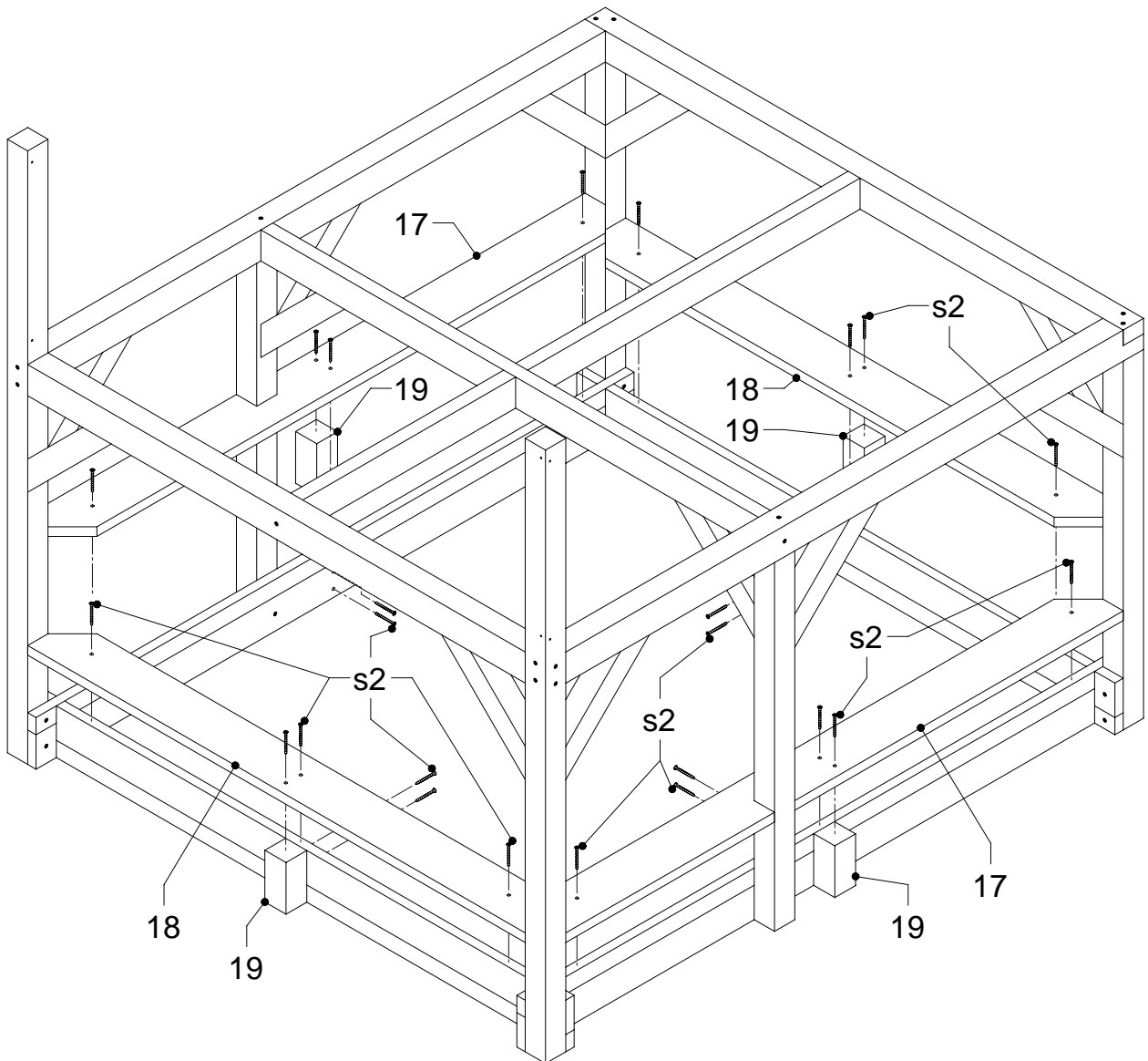


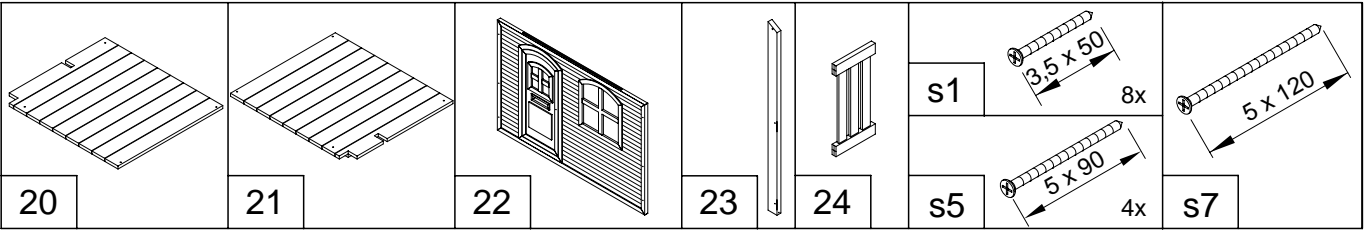
A030.065.00



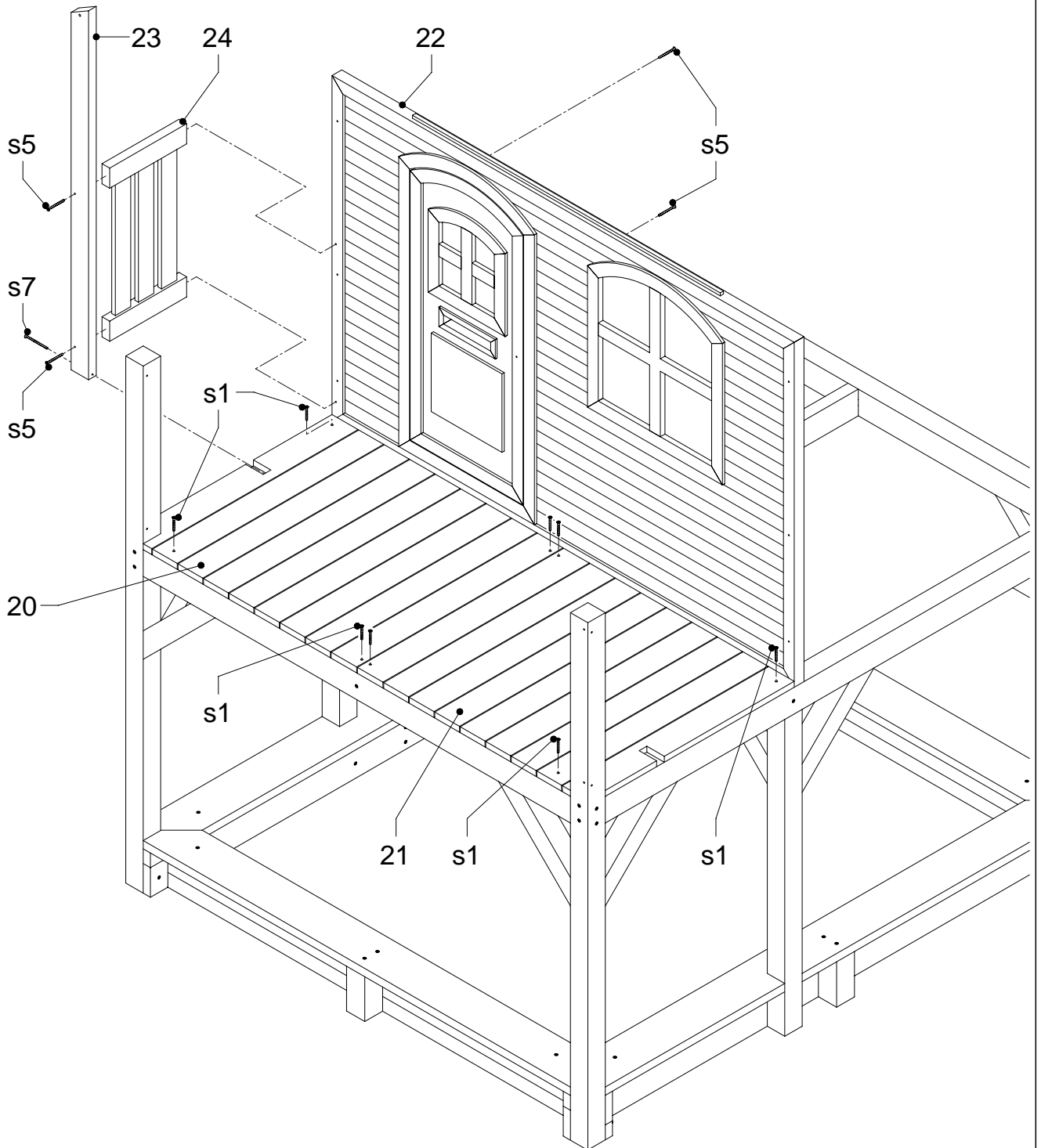


A030.065.00



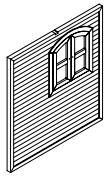


A030.057.00 + A030.060.00



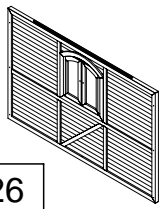


Marc



25

2x

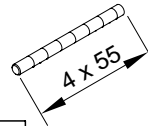


26



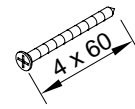
27

14x



t1

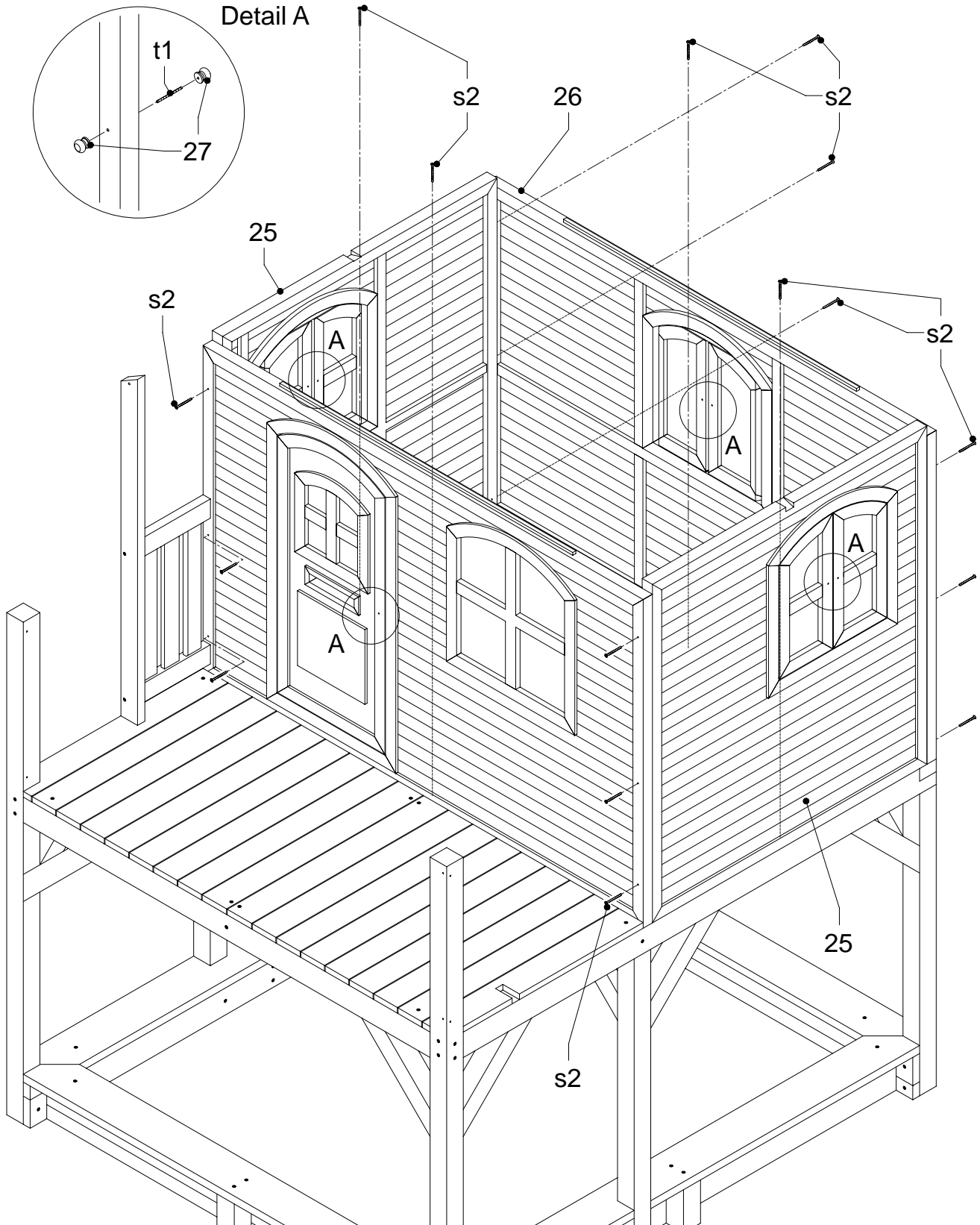
7x

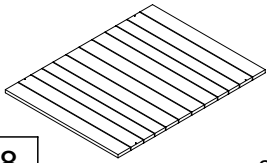


s2

16x

A030.047.00 + A030.057.00

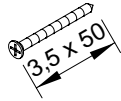




28

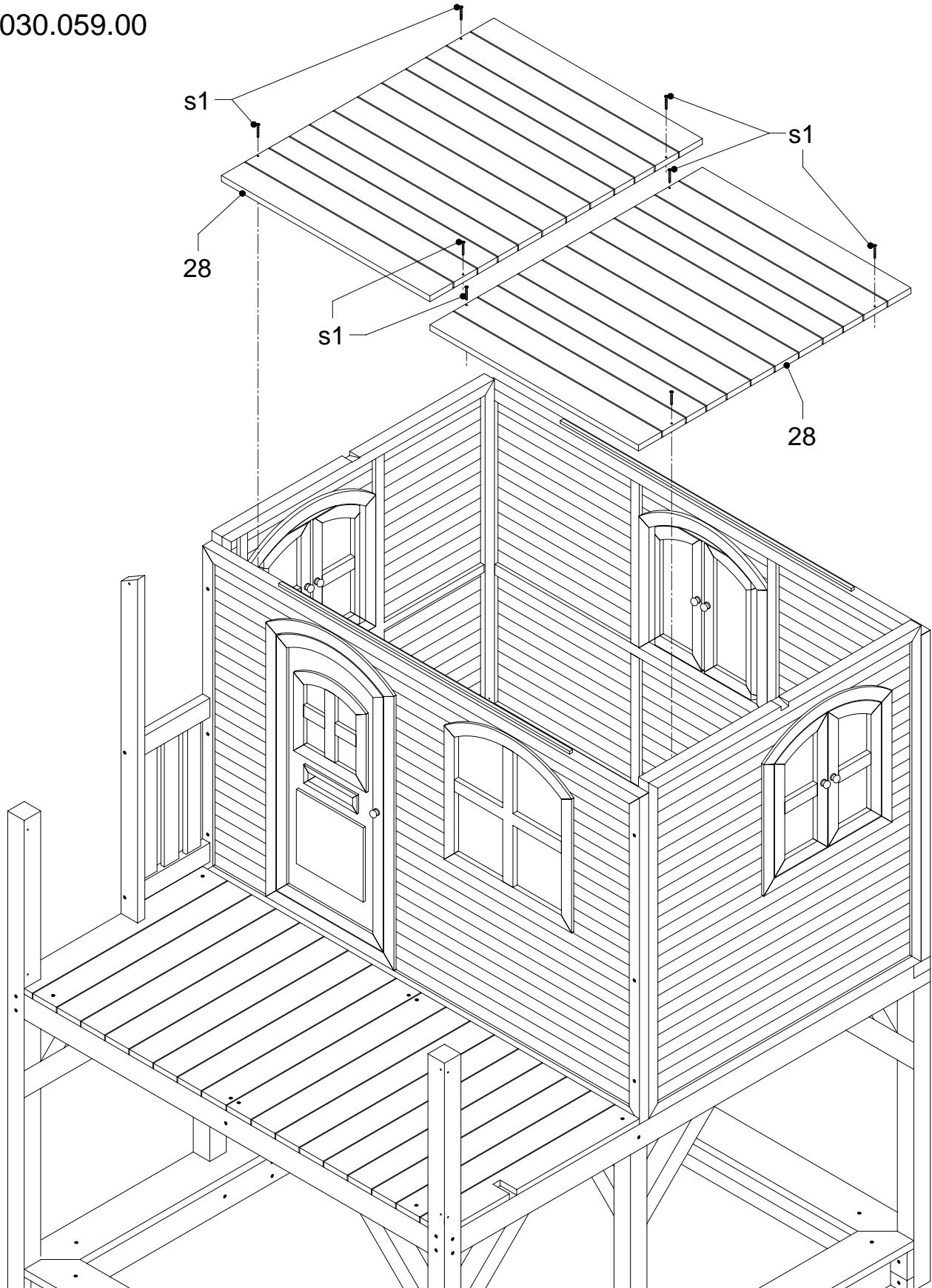
2x

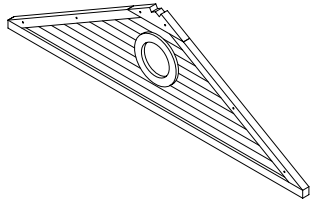
s1



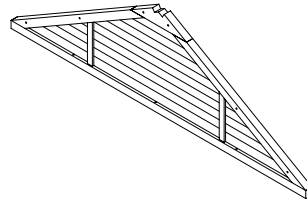
8x

A030.059.00

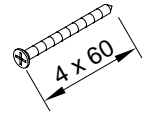




29



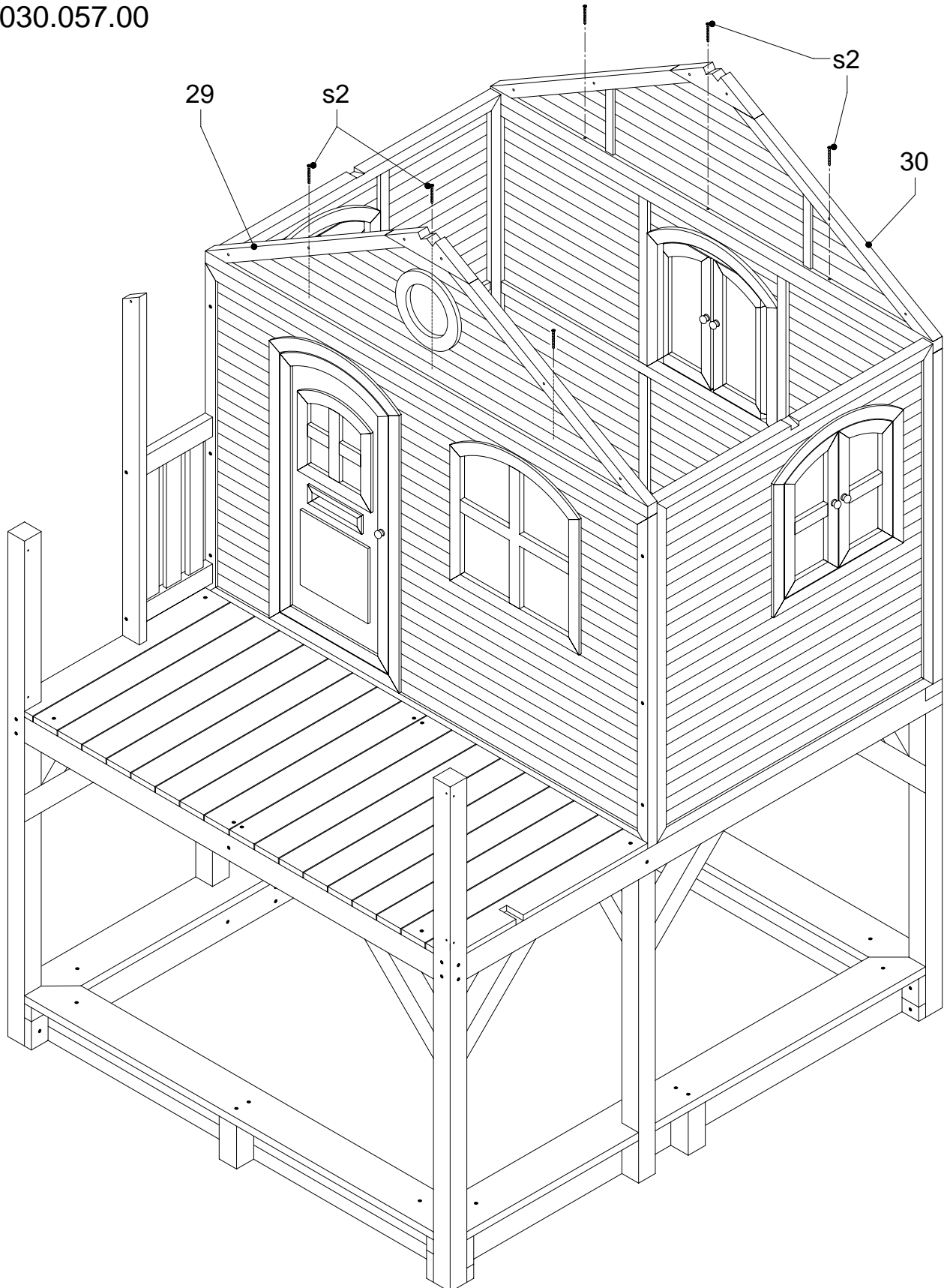
30



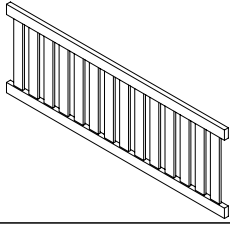
s2

6x

A030.057.00







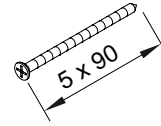
31



23

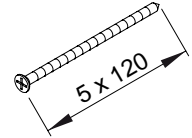


32



s5

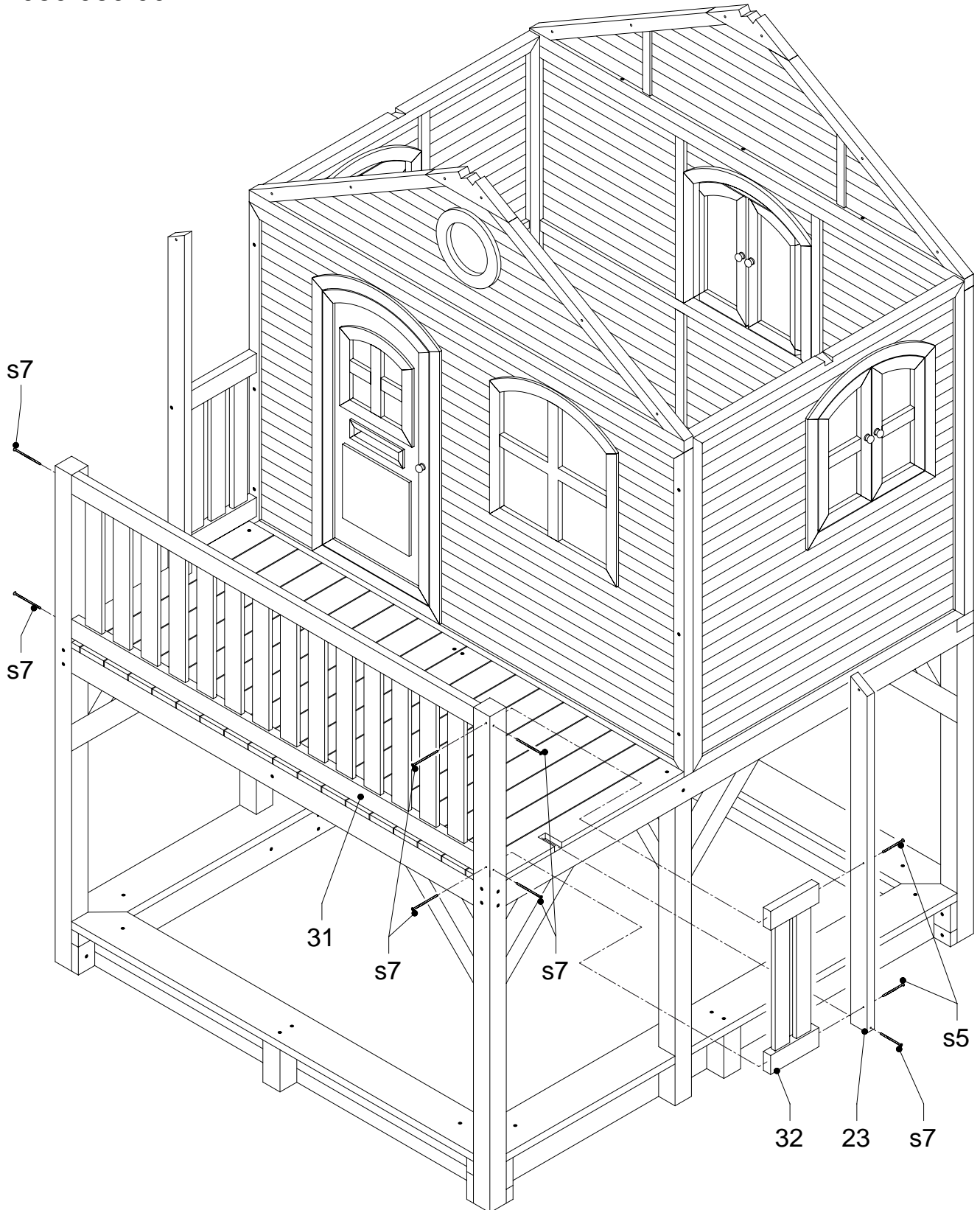
2x

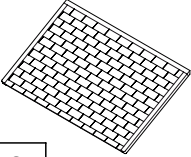
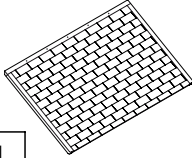

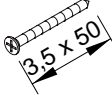
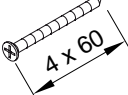


s7

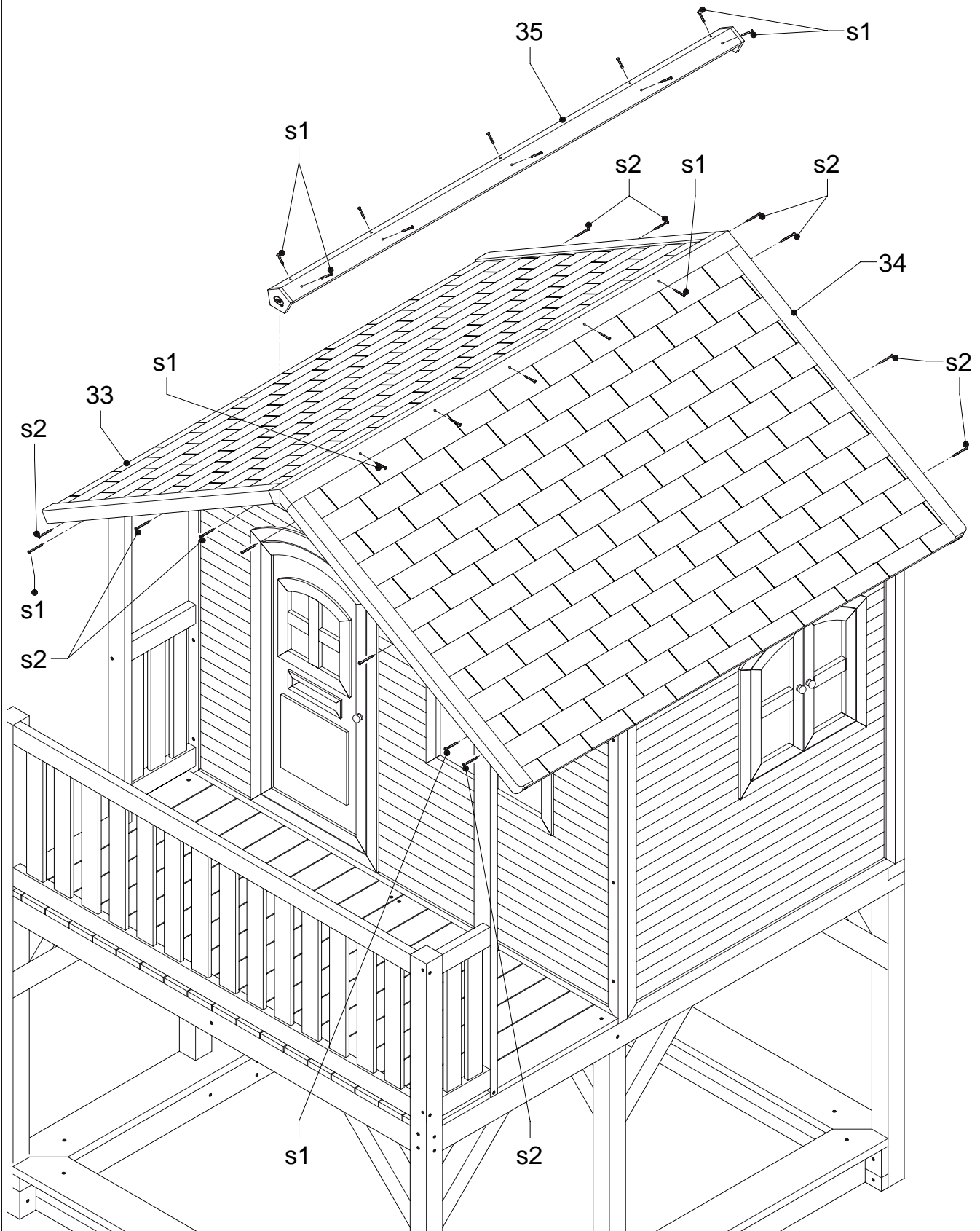
7x

A030.060.00



						
33	34	35	s1	17x	s2	12x

A030.058.00





36	37	38 7x	39 3x	40	41	s1 34x	s2 4x	s5 4x

A030.033.00 + A030.062.00

