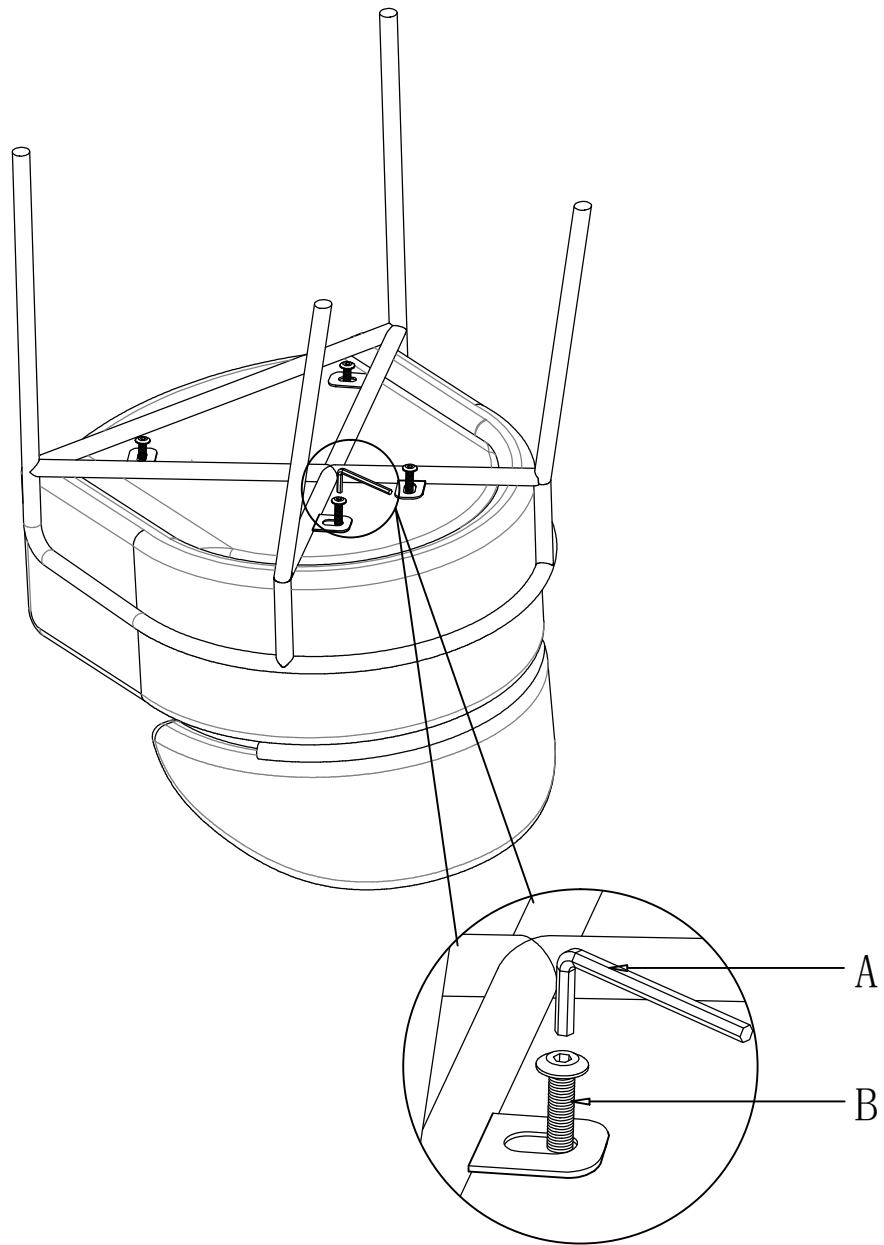
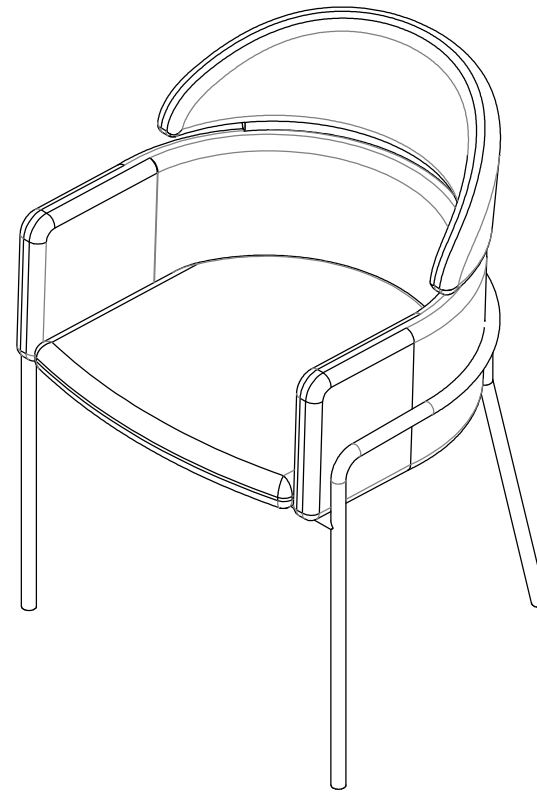




STEP: 1



FINISH



B2512A				
ITEM	DESCRIPTION	SKETCH	MEAS	QTY
A	allen key		4mm	1
B	allen screw		M6*20	4