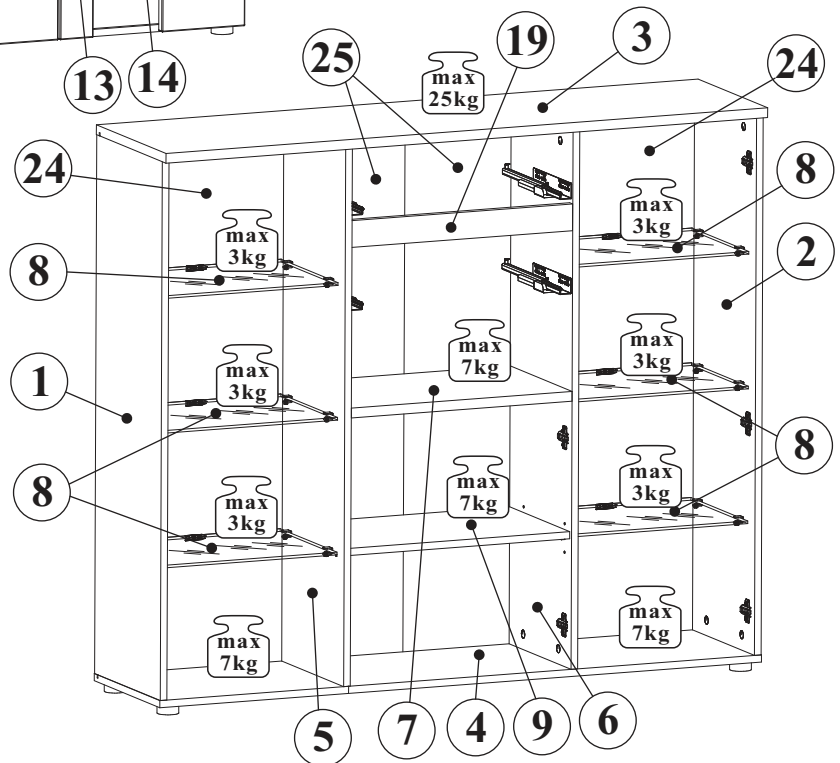
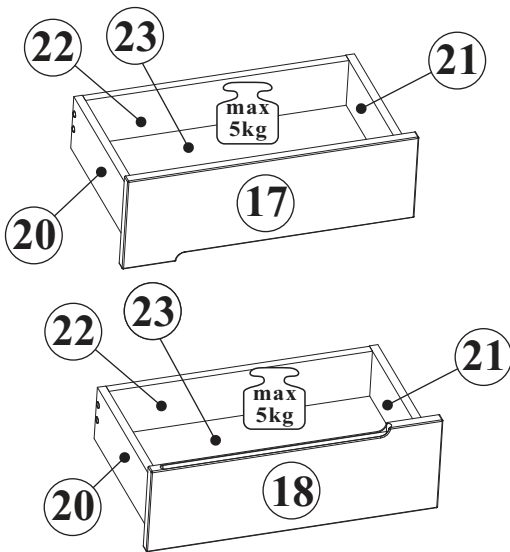
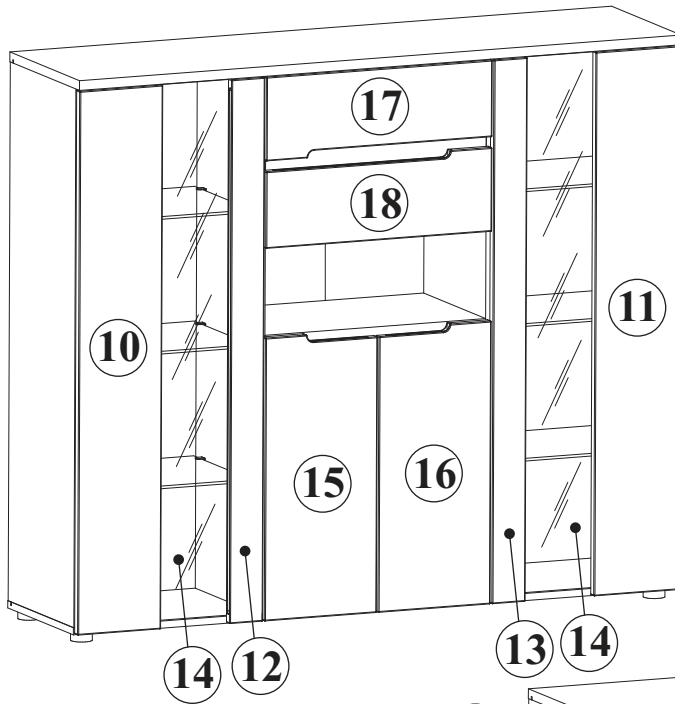
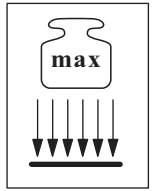
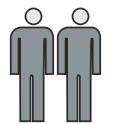


MEMPHIS 1KG6_21

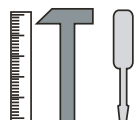


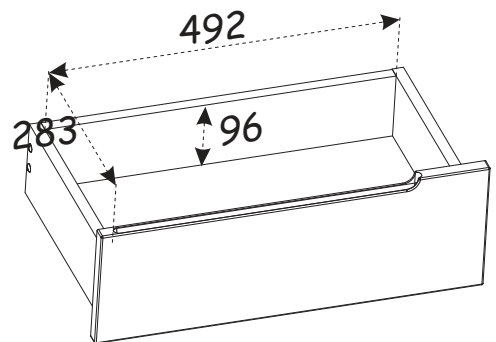
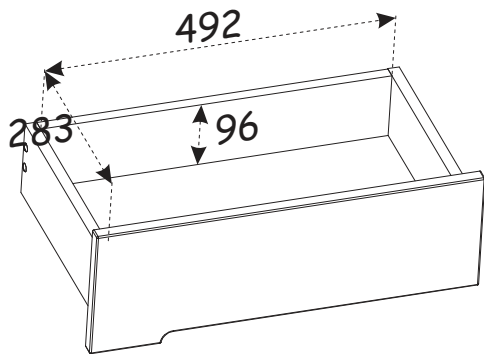
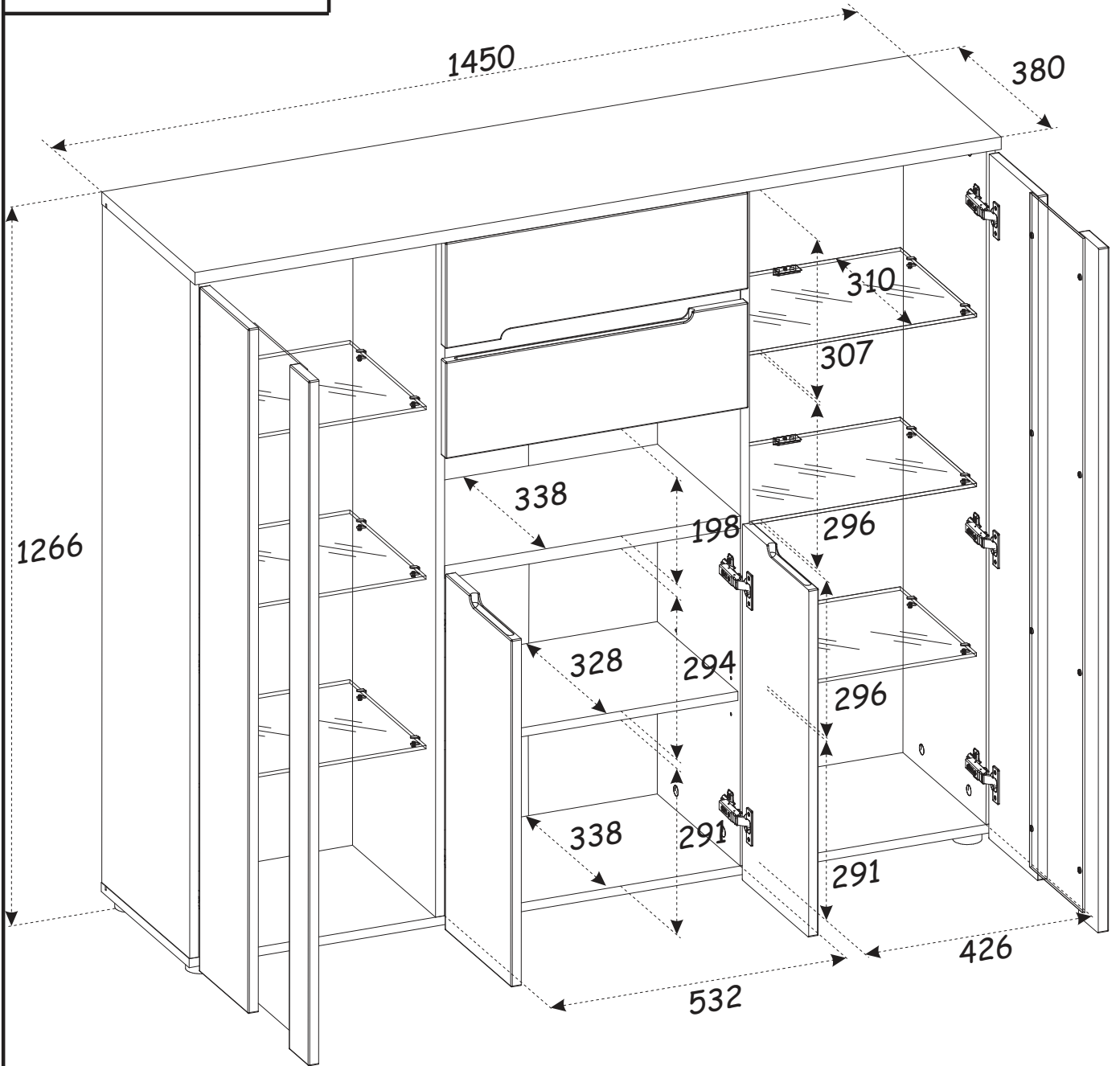
NO	Dim.[mm]			Col.-No	Qty
1	1208	358	16	3	1
2	1208	358	16	3	1
3	1450	380	22	2	1
4	1450	358	16	2	1
5	1208	338	16	3	1
6	1208	338	16	3	1
7	532	338	22	1	1
8	416	310	6	1	6
9	532	328	16	1	1
10	1219	200	18	2	1
11	1219	200	18	2	1
12	1219	80	18	2	1
13	1219	80	18	2	1
14	1201	216	4	3	2

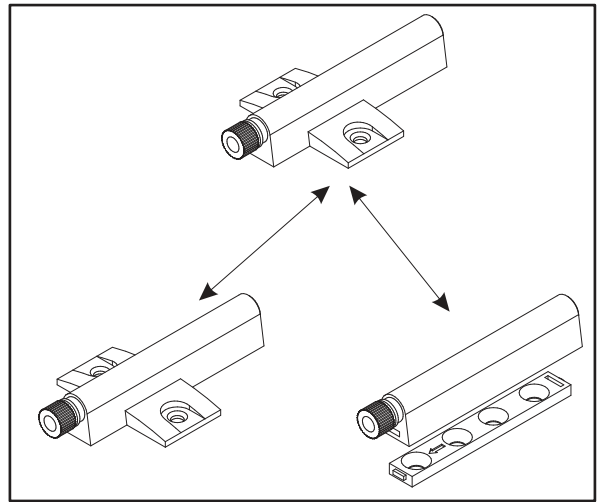
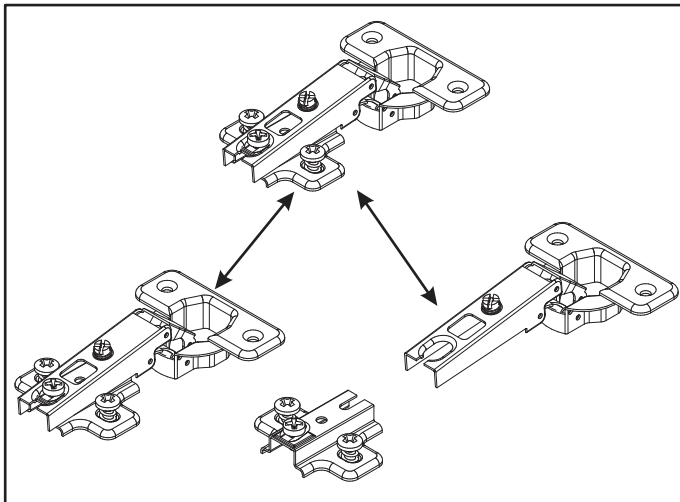
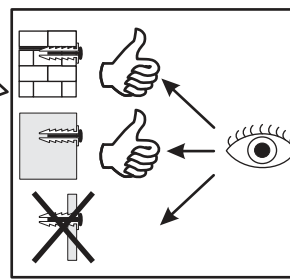
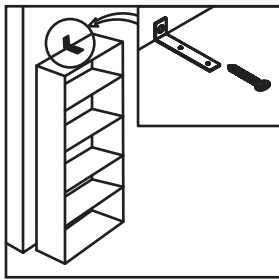
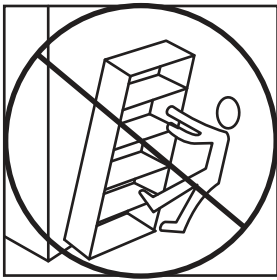
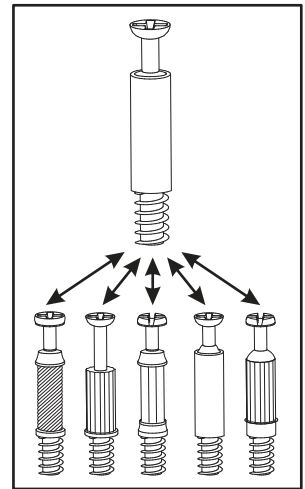
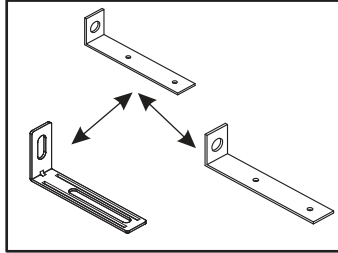
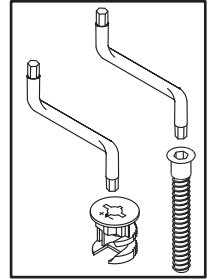
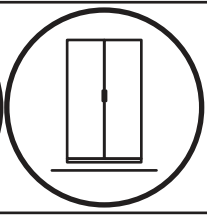
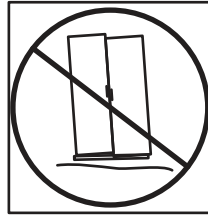
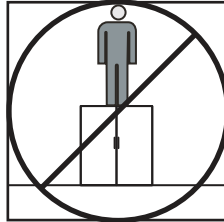
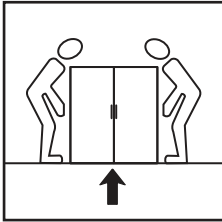
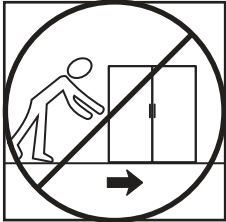
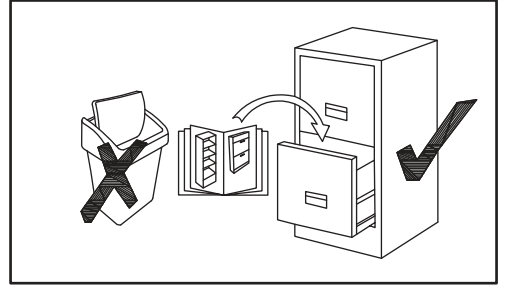
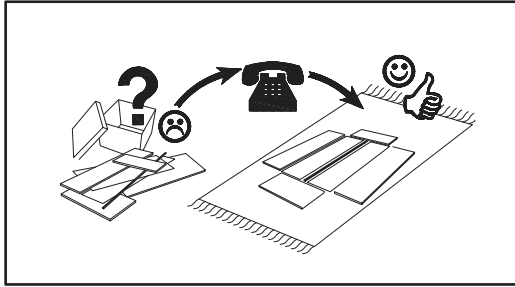
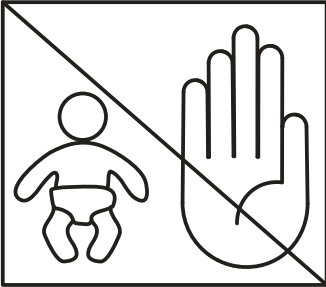
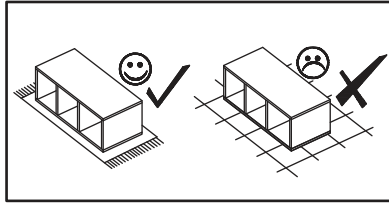
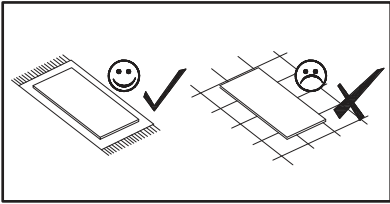
NO	Dim.[mm]			Col.-No	Qty
15	270	634	18	1	1
16	270	634	18	1	1
17	544	188	18	2	1
18	544	188	18	2	1
19	532	60	16	1	1
20	300	110	16	2	2
21	300	110	16	2	2
22	492	96	16	1	2
23	304	504	3	1	2
24	1220	439	3	3	2
25	1220	273	3	3	2



180 min

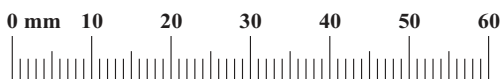
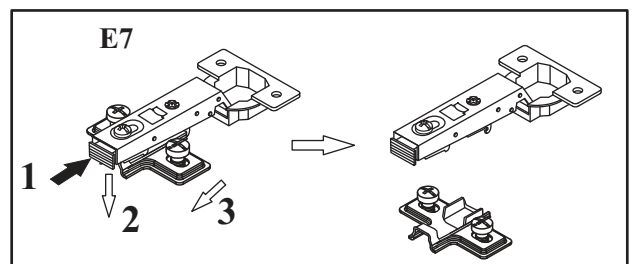
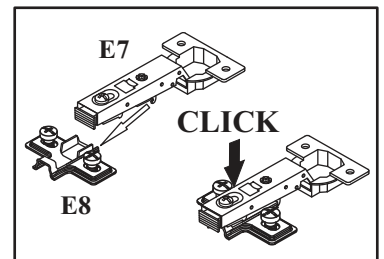
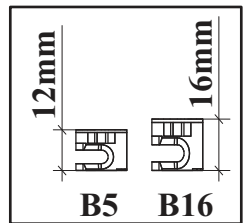







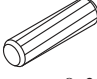
MEMPHIS 1KG6__21

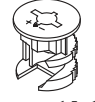
A1 x26 ø8x36	B4 x26	B5 x22 ø15x12	B16 x4 ø15x16	G5 x26	B11 x8 Ø7x50
G4 x8	E7 x6 Ø35 H=0	E8 x6 H=0	E9 x4 Ø35 H=8	E28 x4 H=2	G30 x24
G7 x4	QU x2 L-300	I18 x6 Ø48, h=20	P2 x16	S1 x24	G16 x12
OS5 x1 x6	D20 x8 ESØ6,3x9,5	D10 x30 USØ3,5x13	UP13 x40 UPØ3x16	L1 x1	KR1 x1
G2 x1					

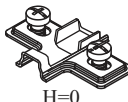


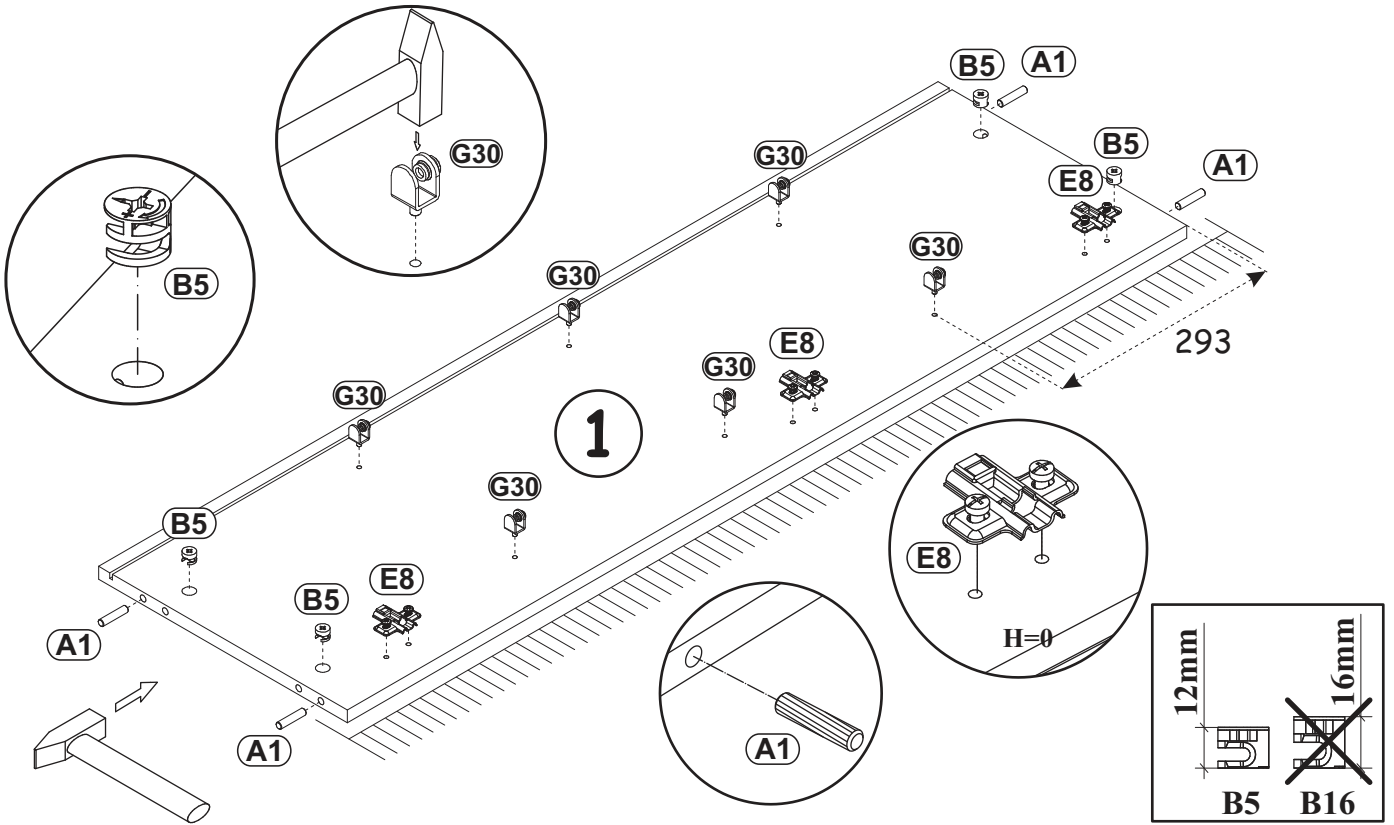
1

G30	
x6	


A1	
x4	ø8x36

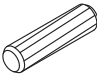
B5	
x4	ø15x12


E8	
x3	H=0




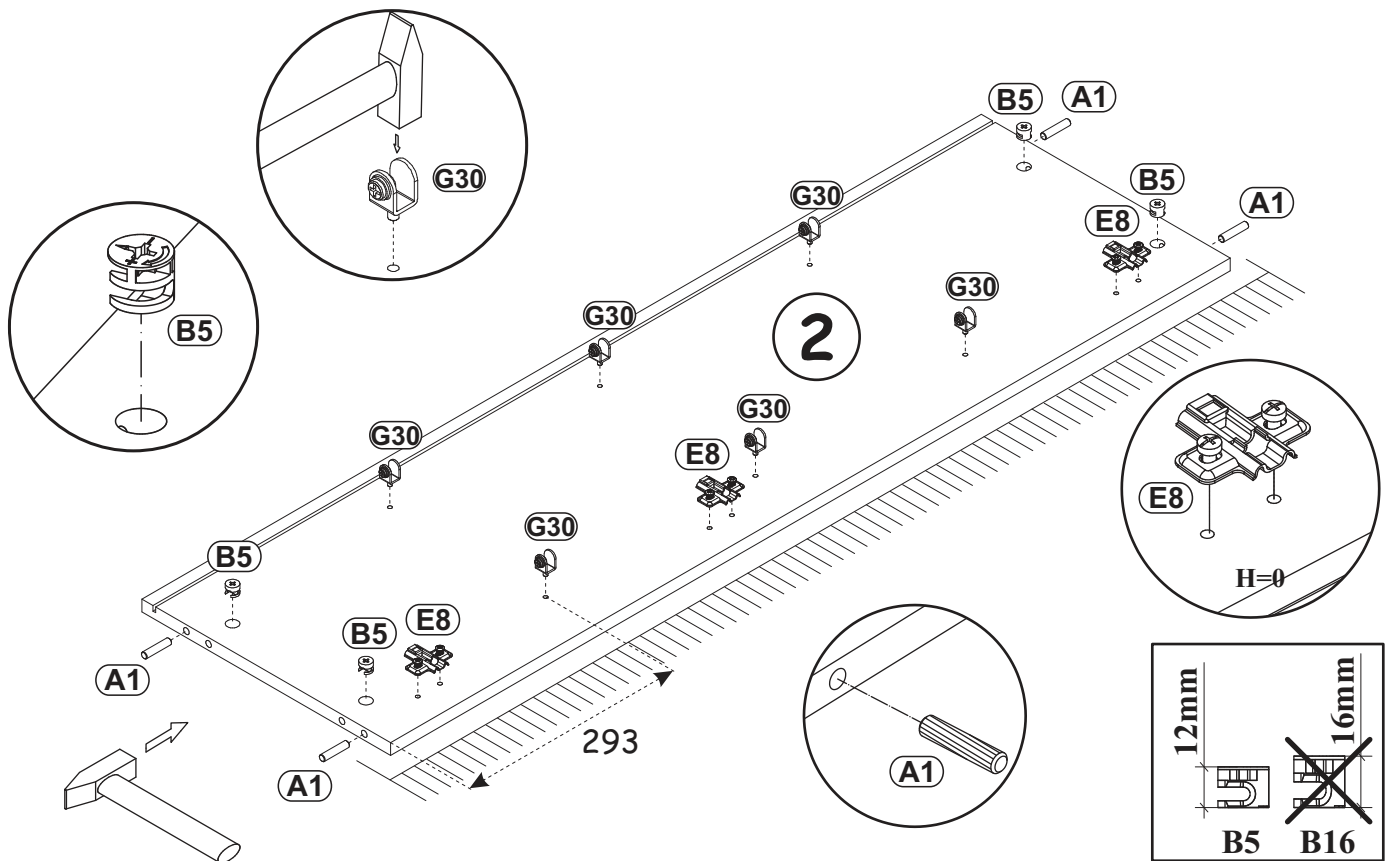
2

G30	
x6	

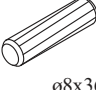
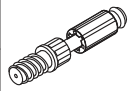
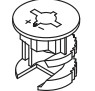

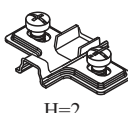

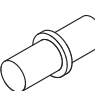
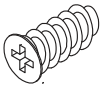

A1	
x4	ø8x36

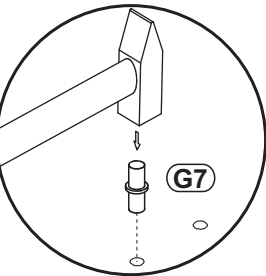
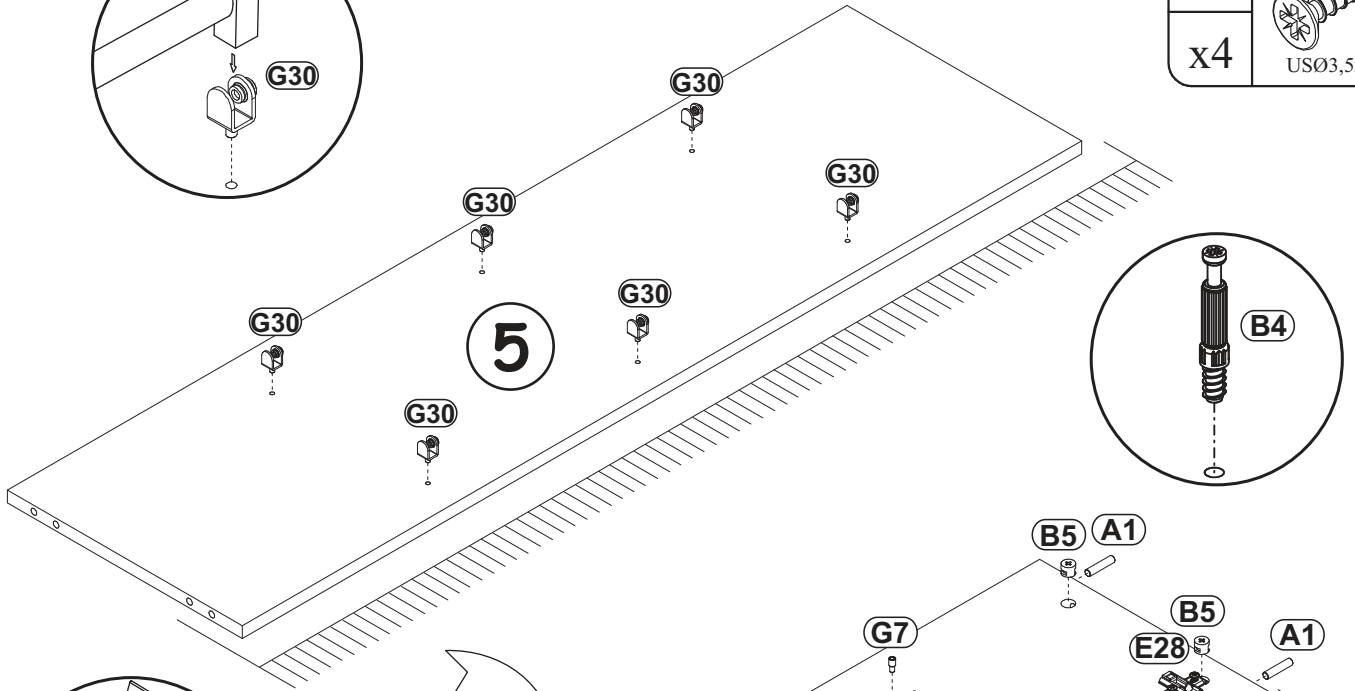
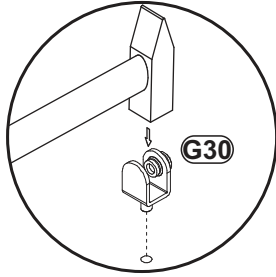
B5	
x4	ø15x12

E8	
x3	H=0

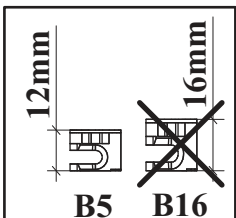
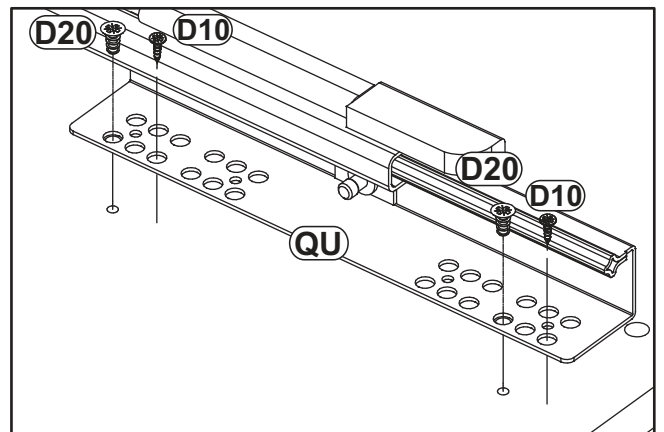
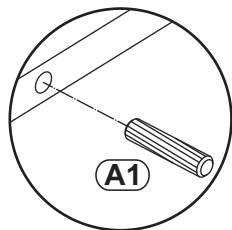
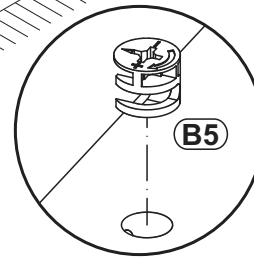
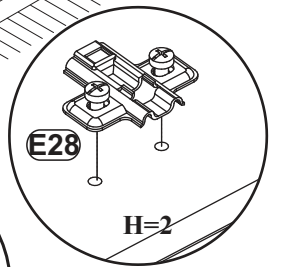
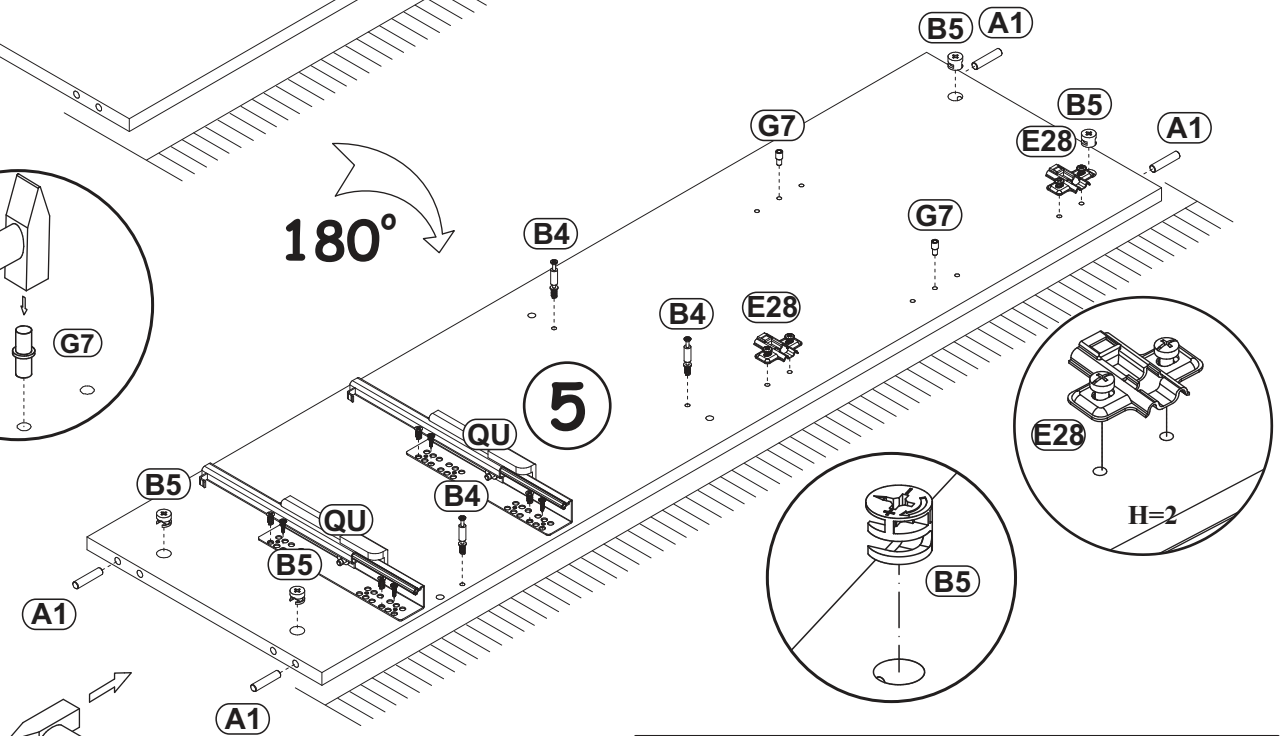


3

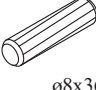
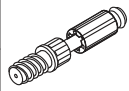
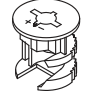

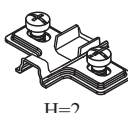

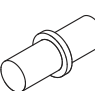


A1 x4		B4 x3		B5 x4		QU x2	
E28 x2		G30 x6		G7 x2		D20 x4	
						D10 x4	

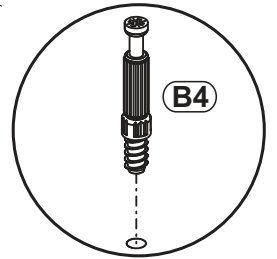
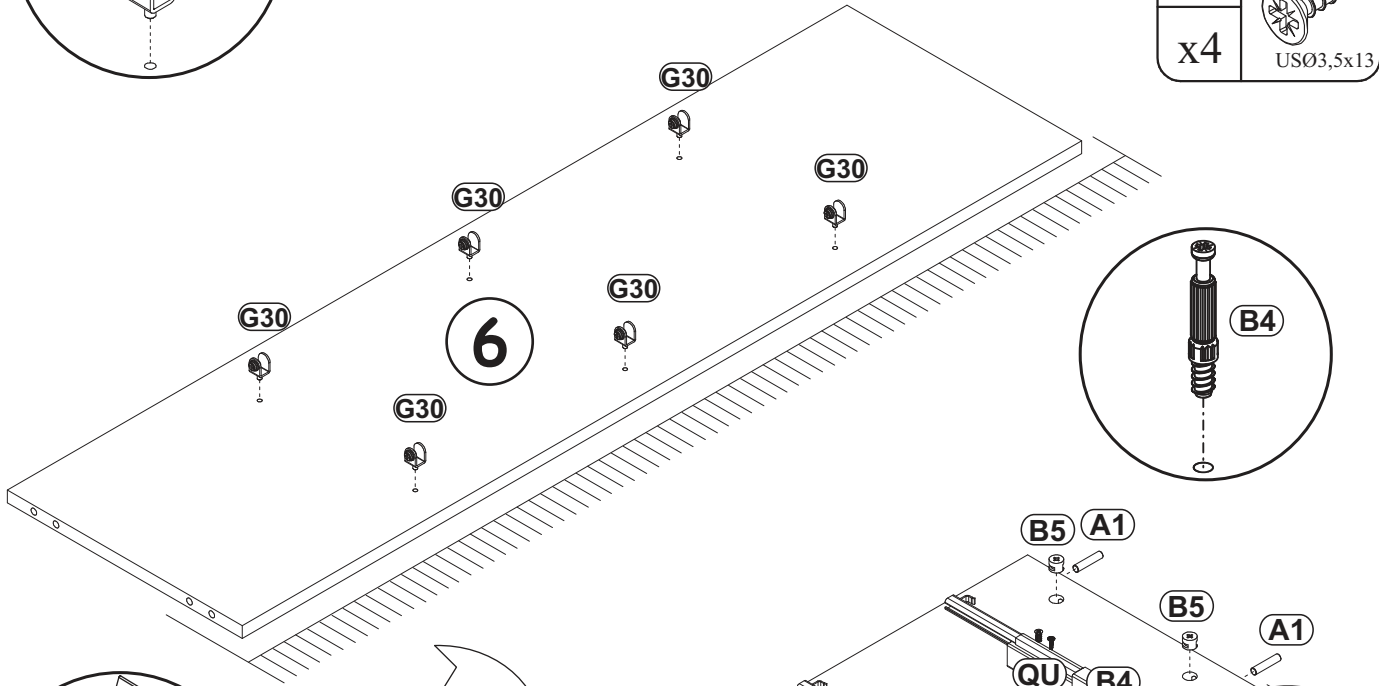
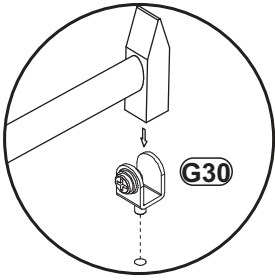


180°

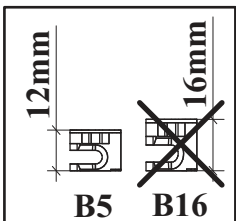
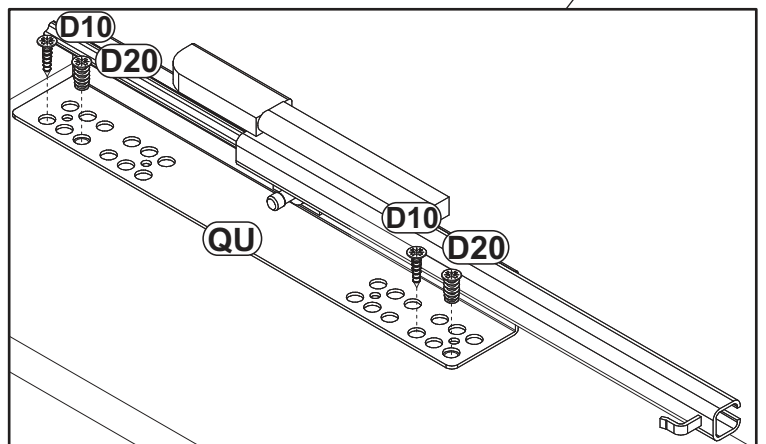
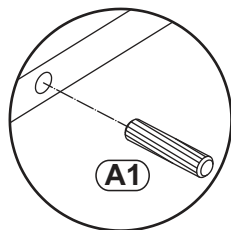
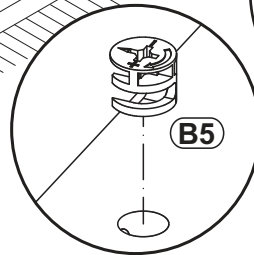
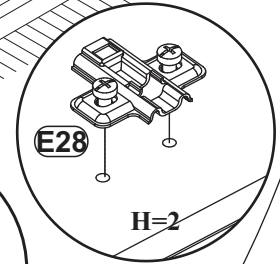
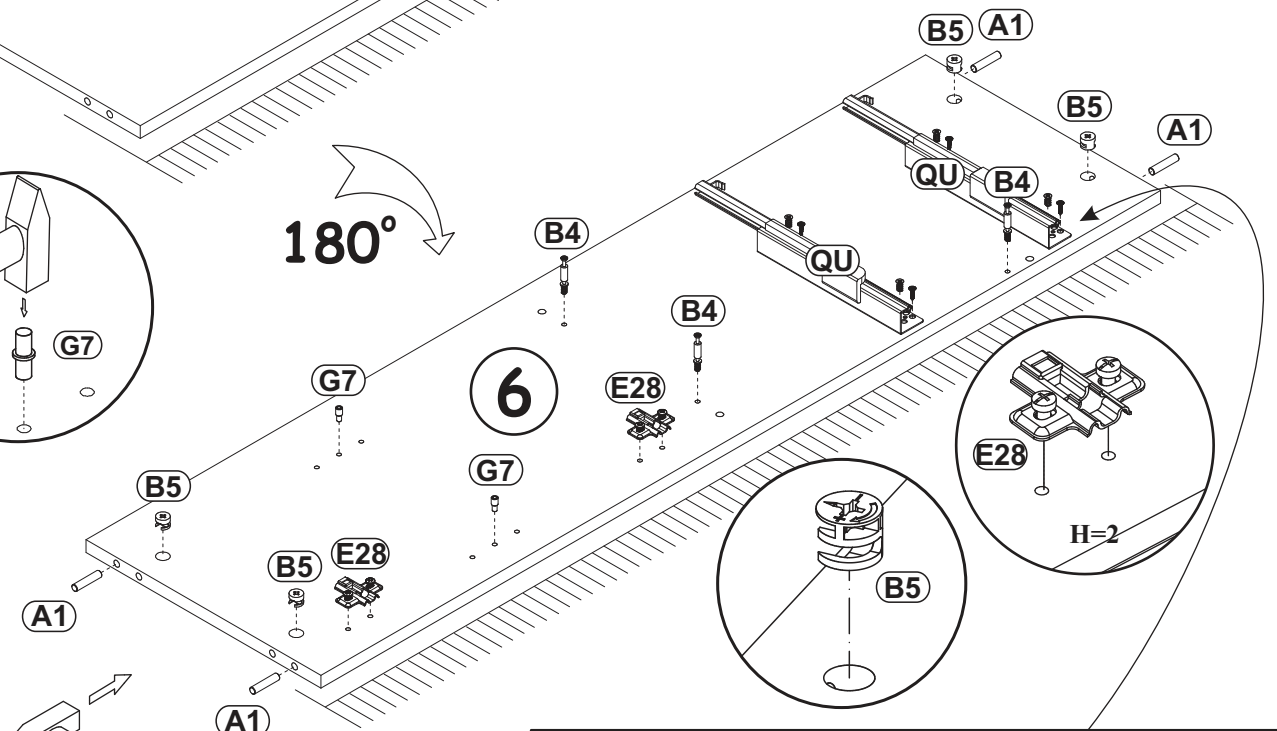
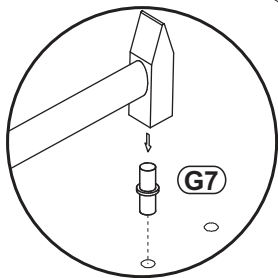


4

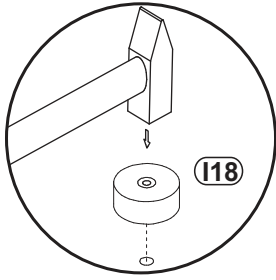
A1 x4		B4 x3		B5 x4		QU x2	
E28 x2		G30 x6		G7 x2		D20 x4	
						D10 x4	



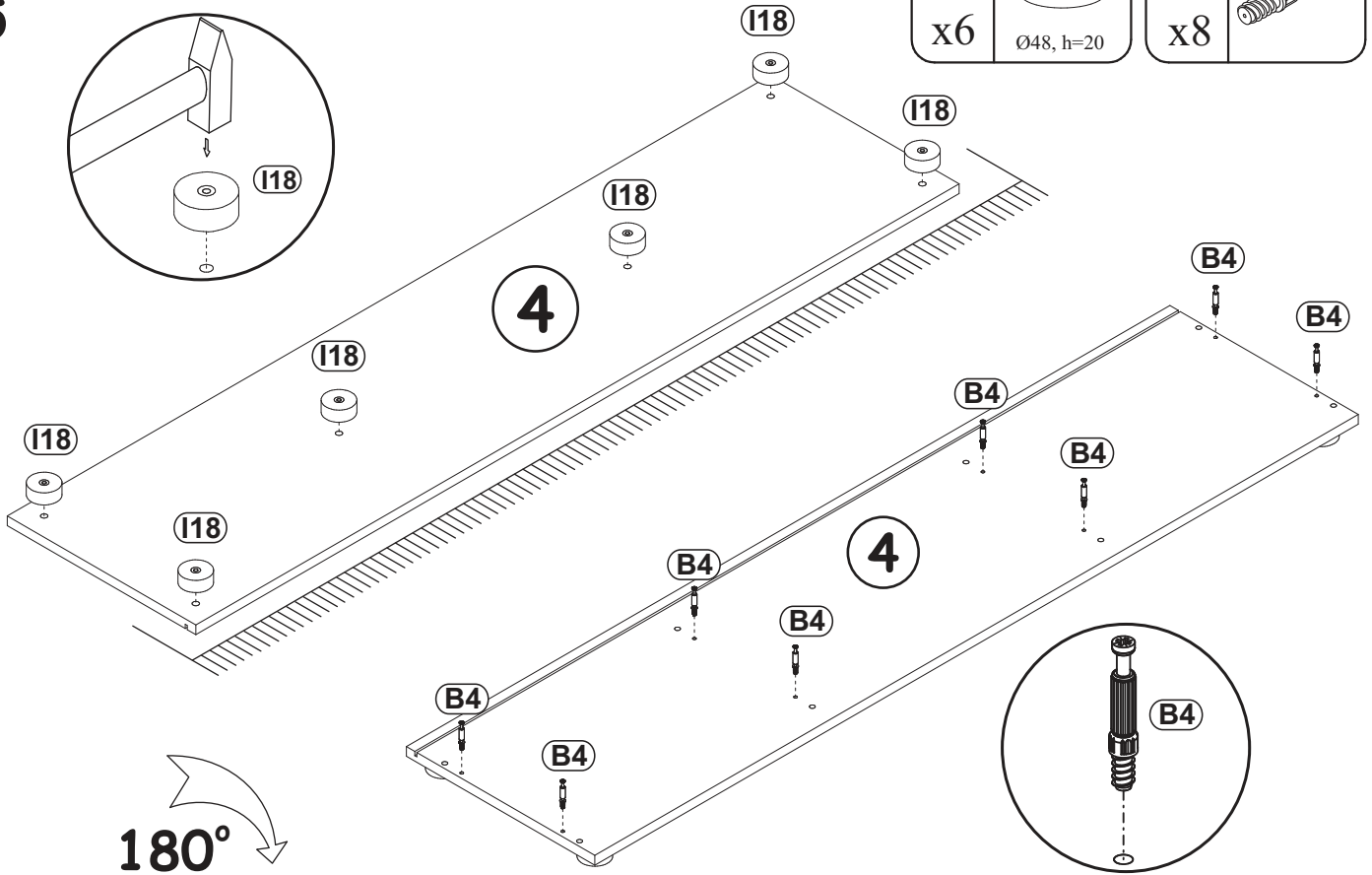
180°



5

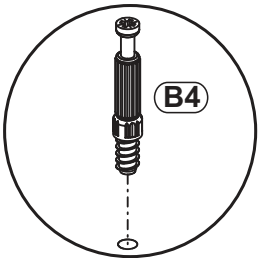


I18		B4	
x6	Ø48, h=20	x8	



180°

6

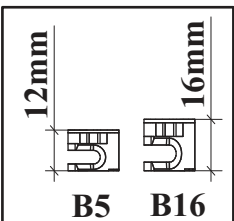
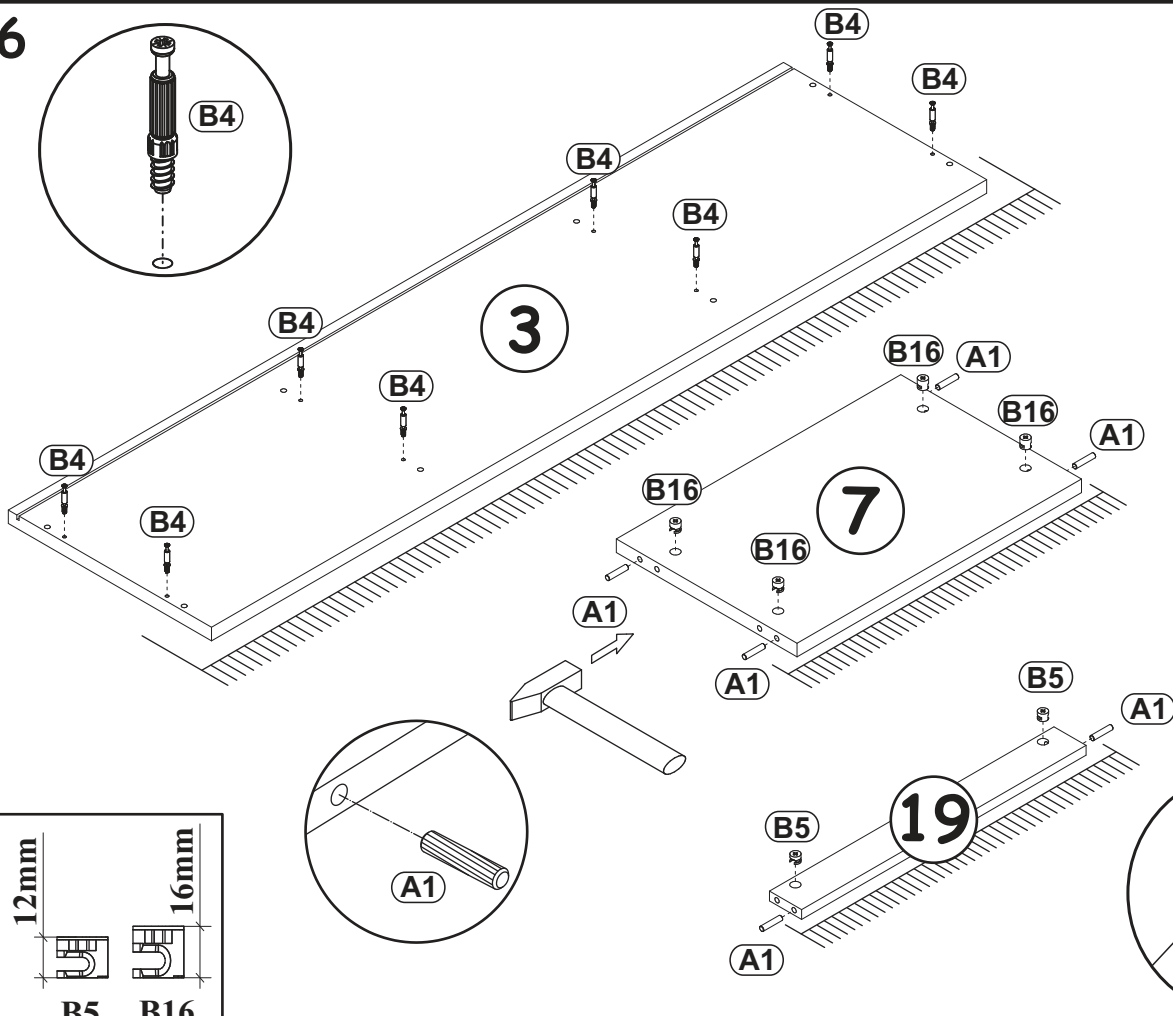



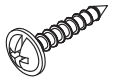
B4	
x8	

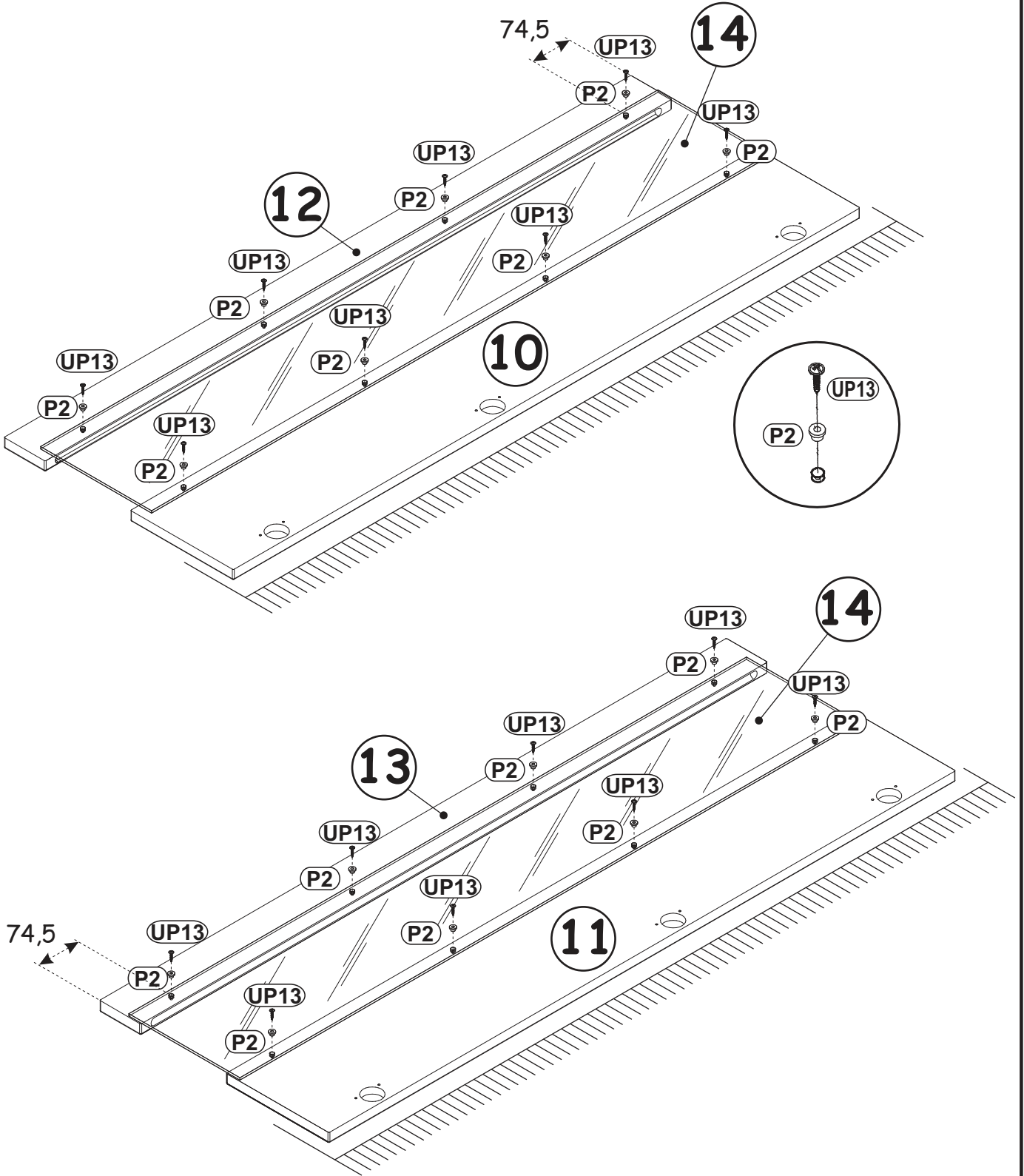
B5	
x2	Ø15x12

A1	
x6	Ø8x36

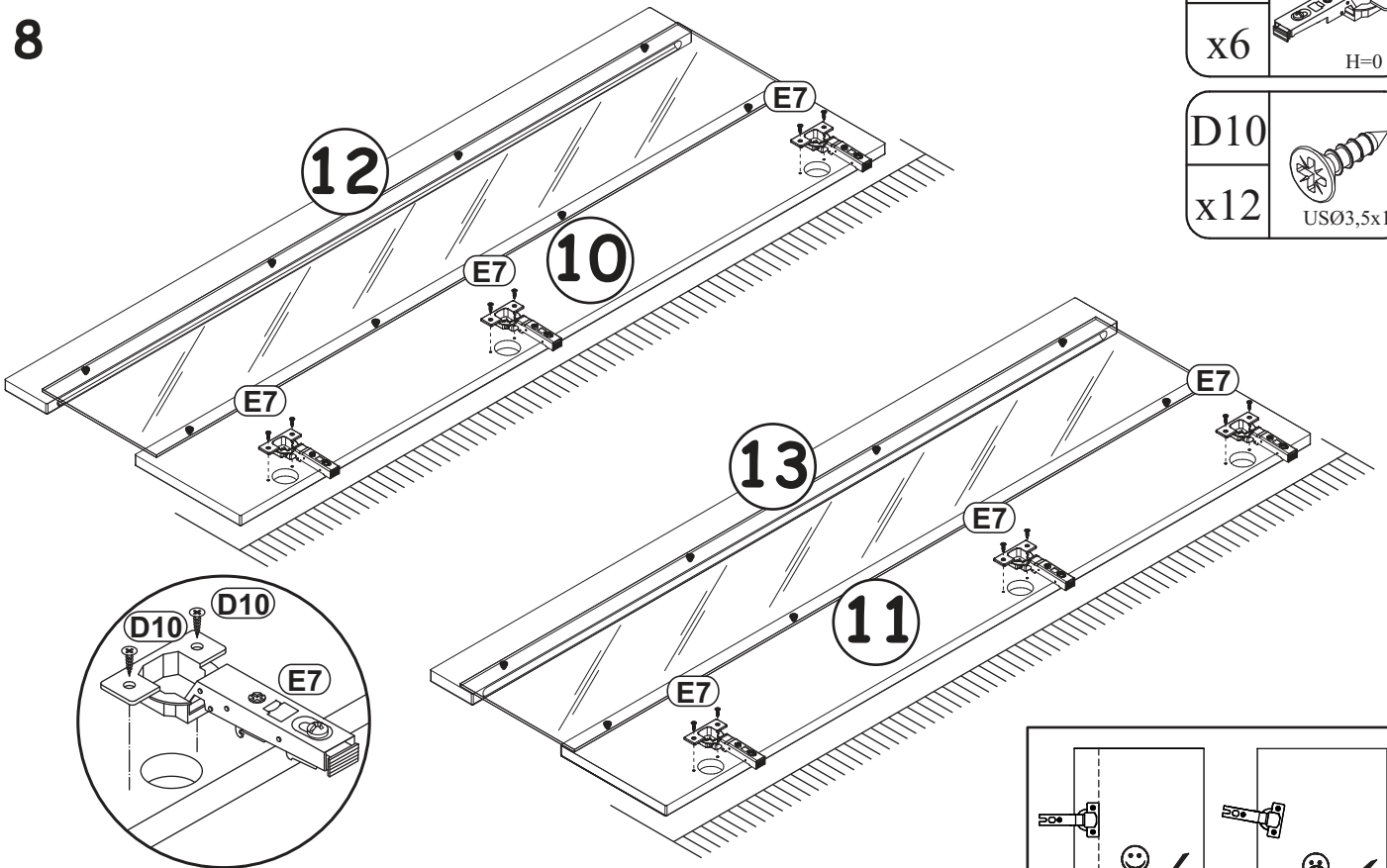
B16	
x4	Ø15x16



P2		UP13	
x16		x16	UPØ3x16



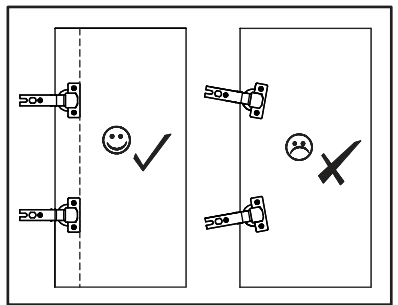
8



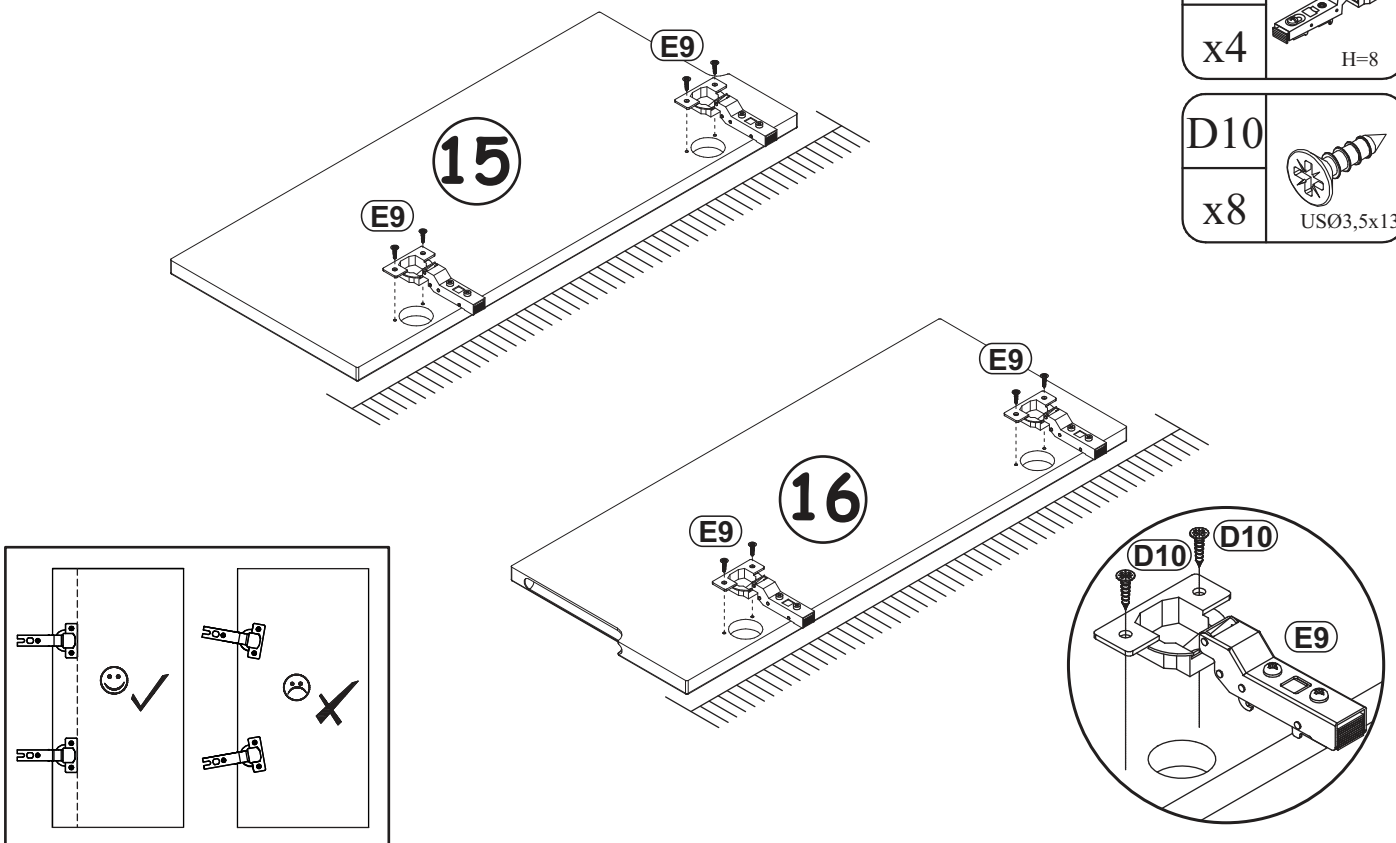
E7	Ø35
x6	H=0

D10	
x12	

USØ3,5x13



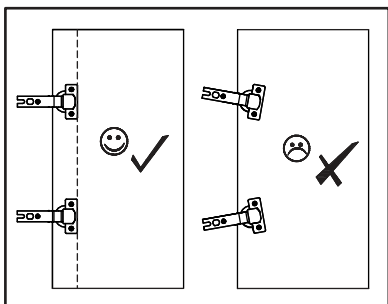
9



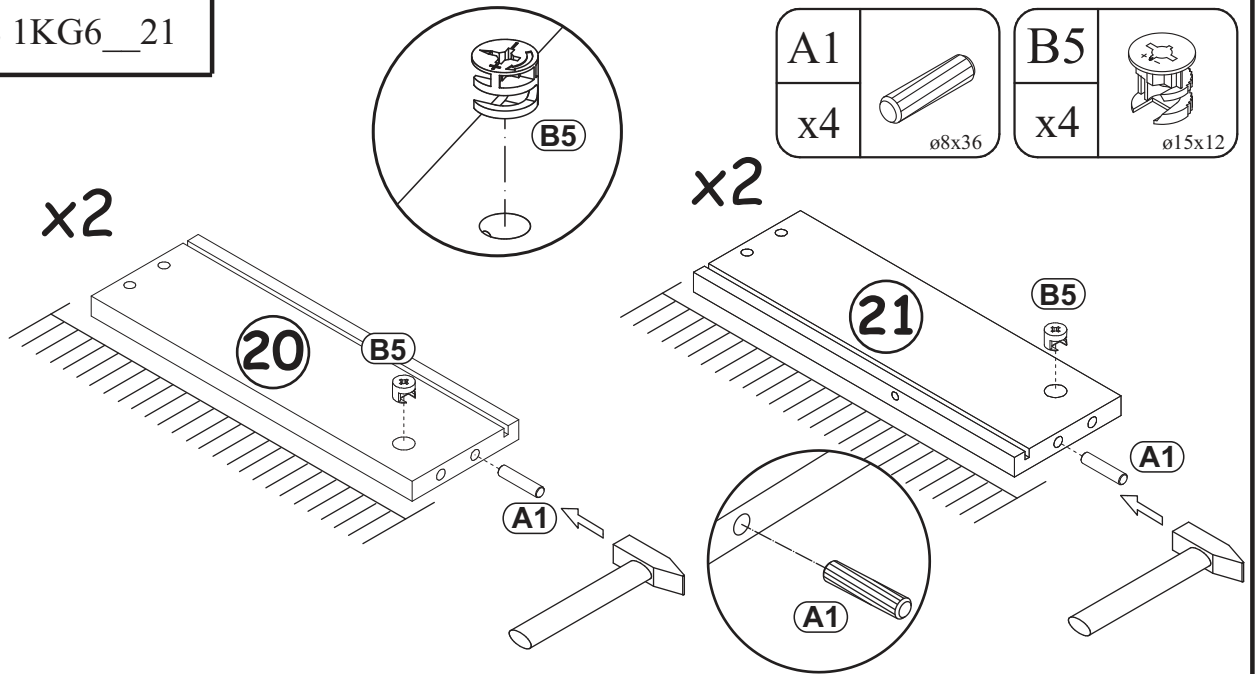
E9	Ø35
x4	H=8

D10	
x8	

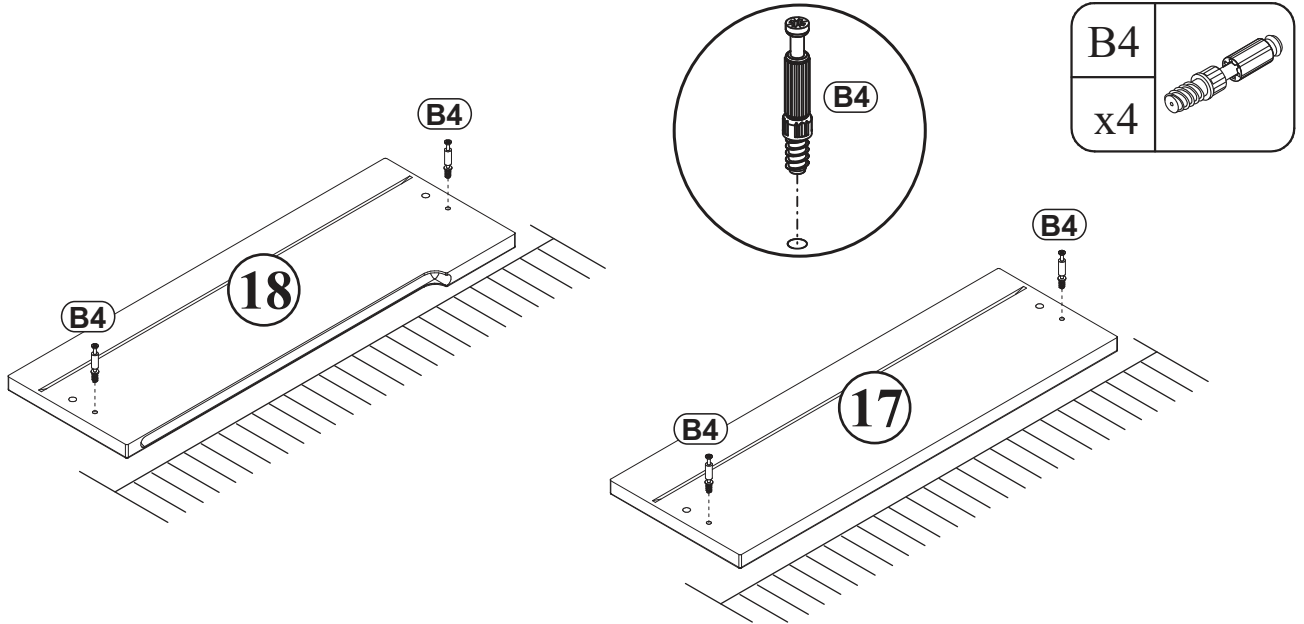
USØ3,5x13



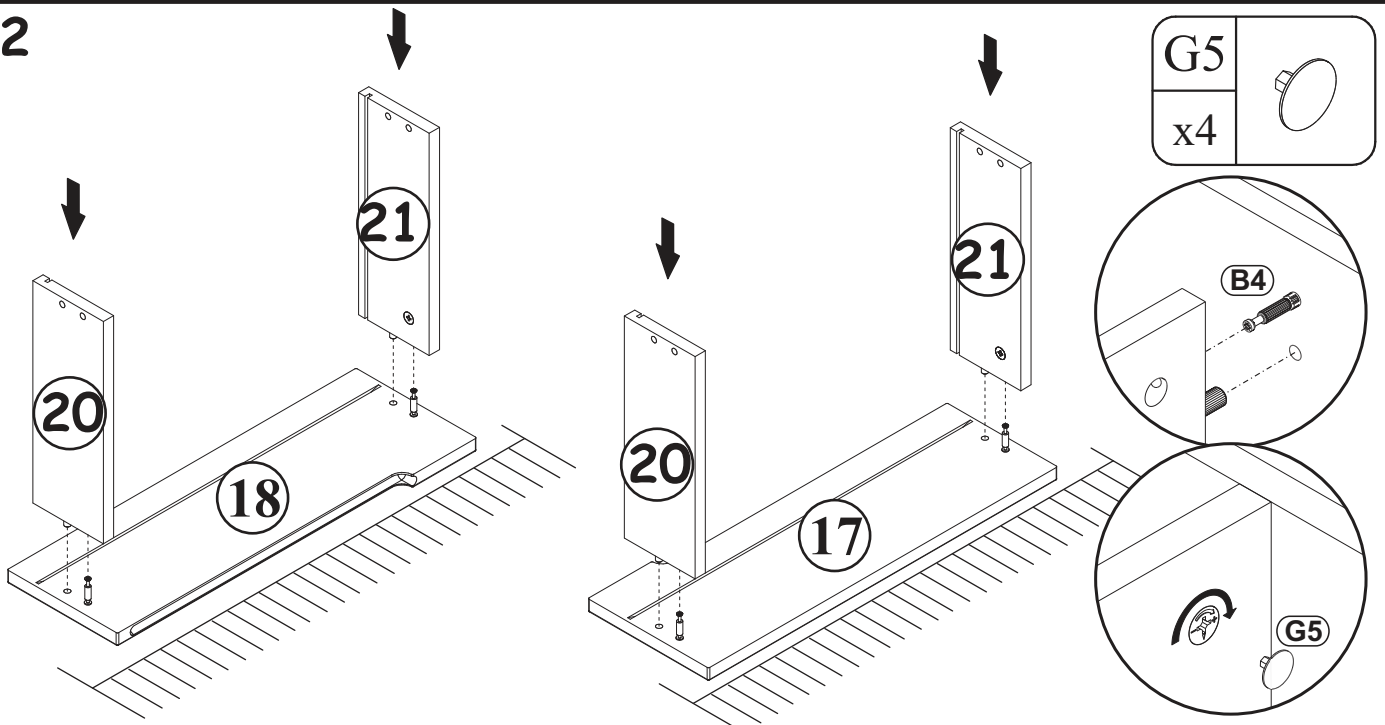
10



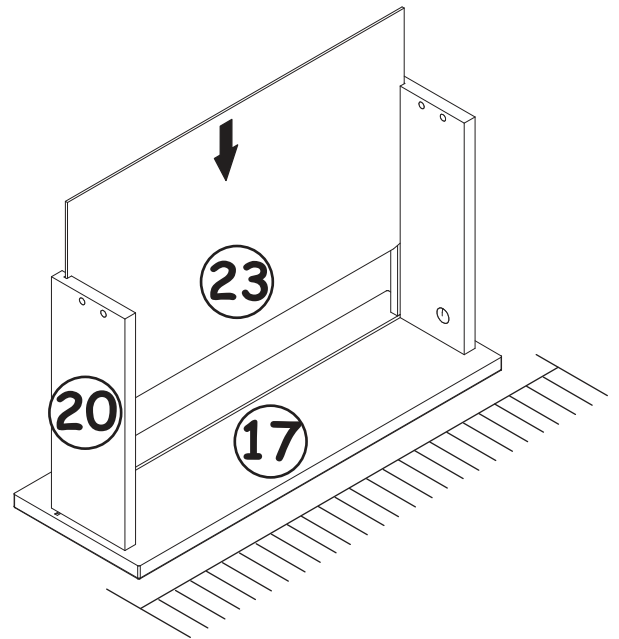
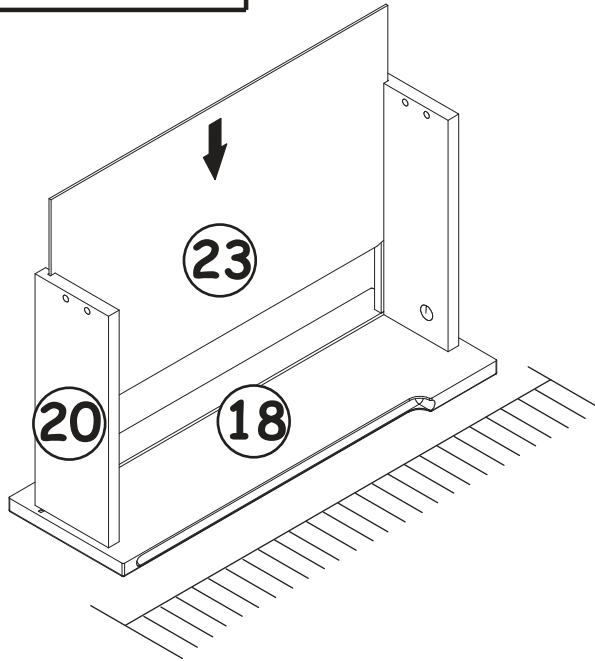
11



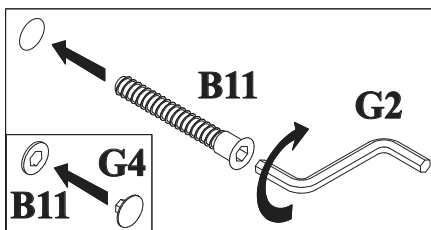
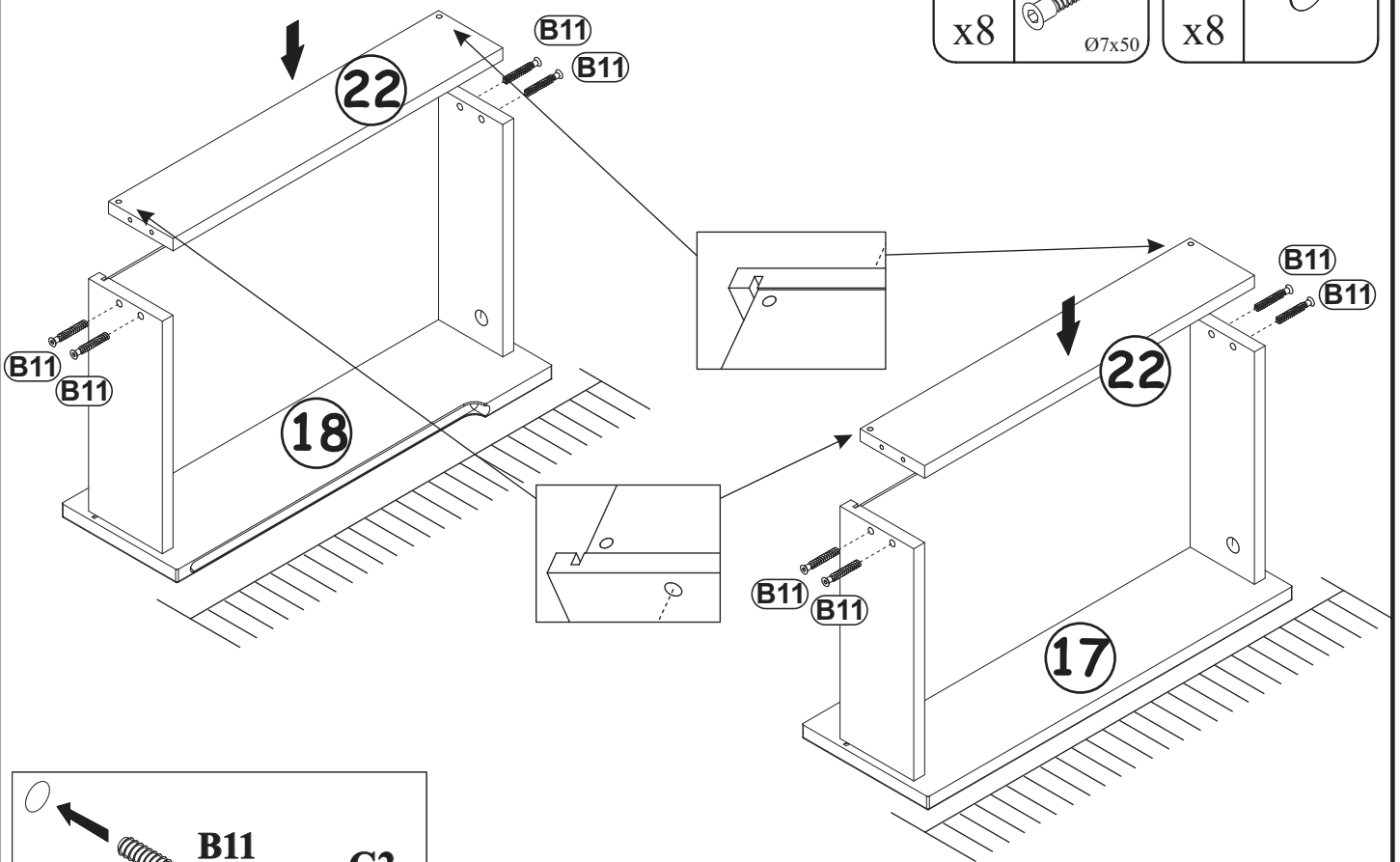
12

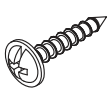
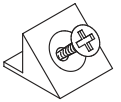


13

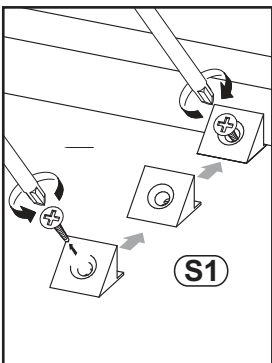
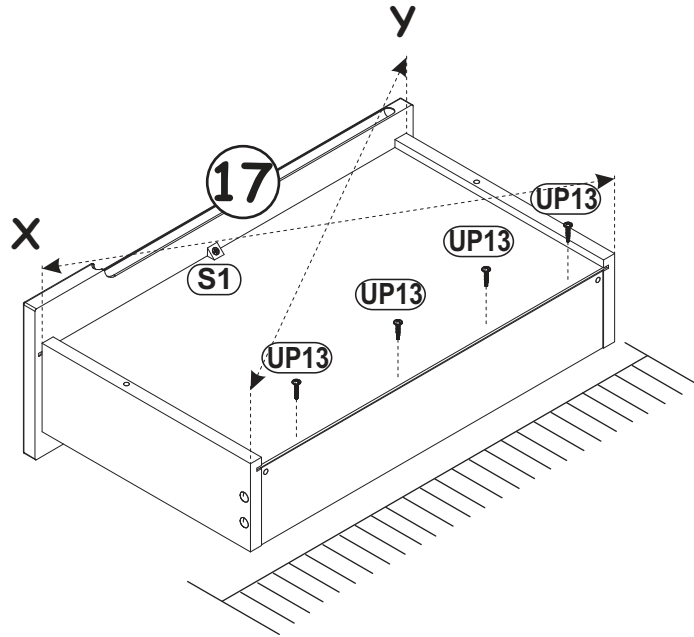
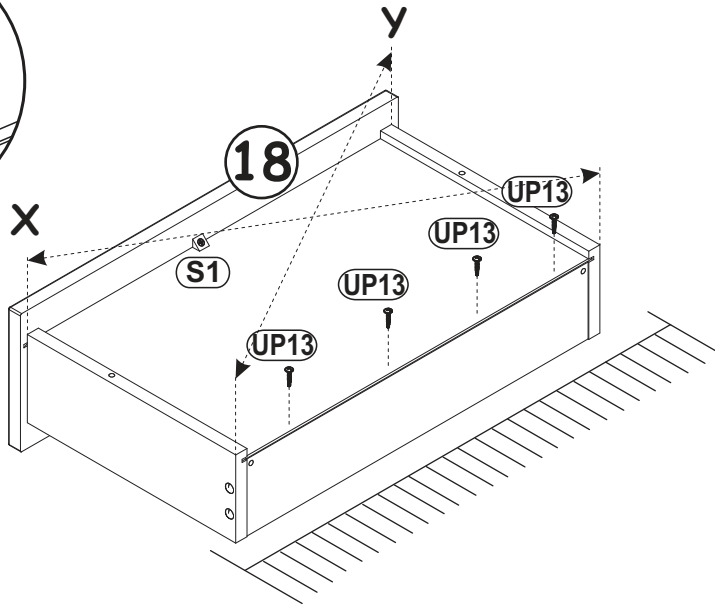
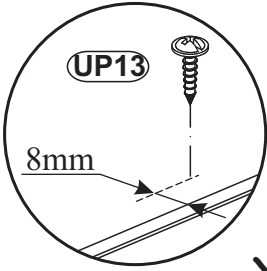
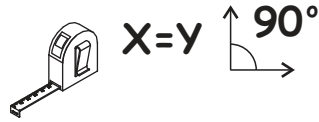



14



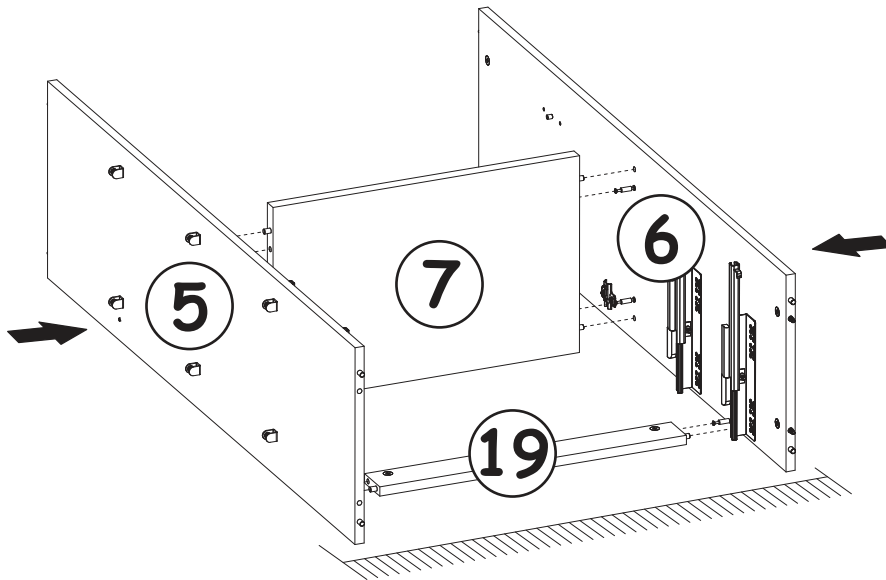
UP13		S1	
x8	UP03x16	x2	

15

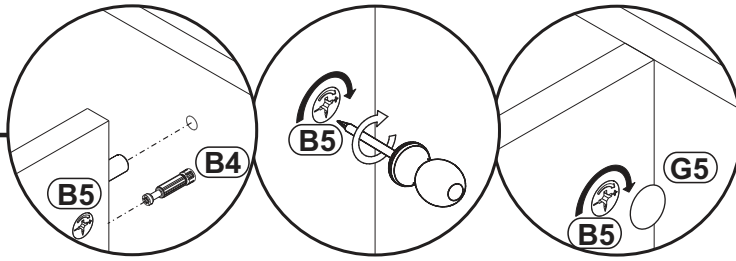



G5	
x6	

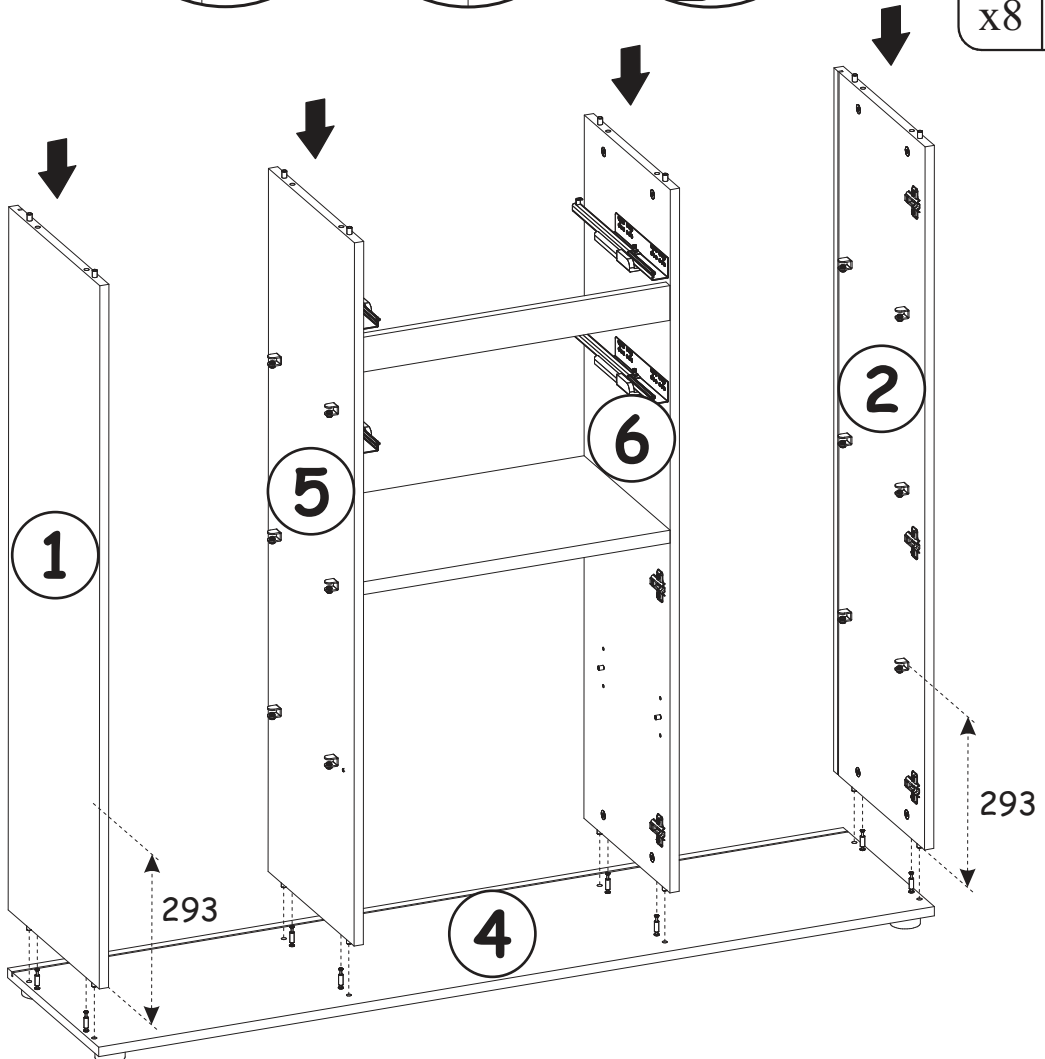
16



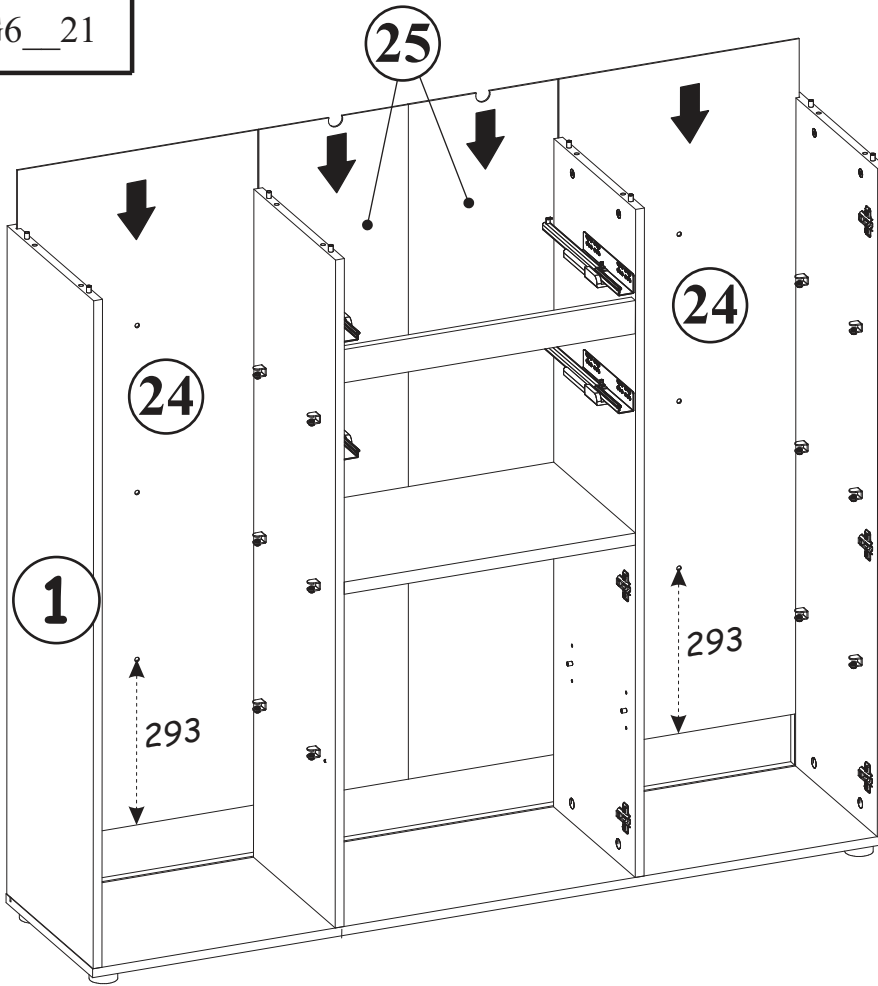
17



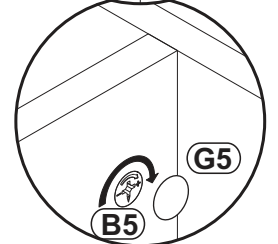
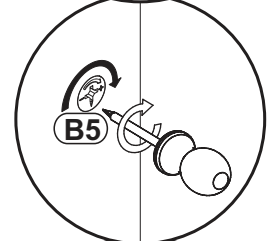
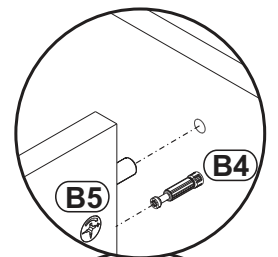
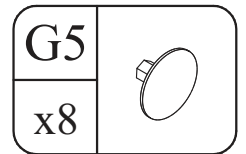
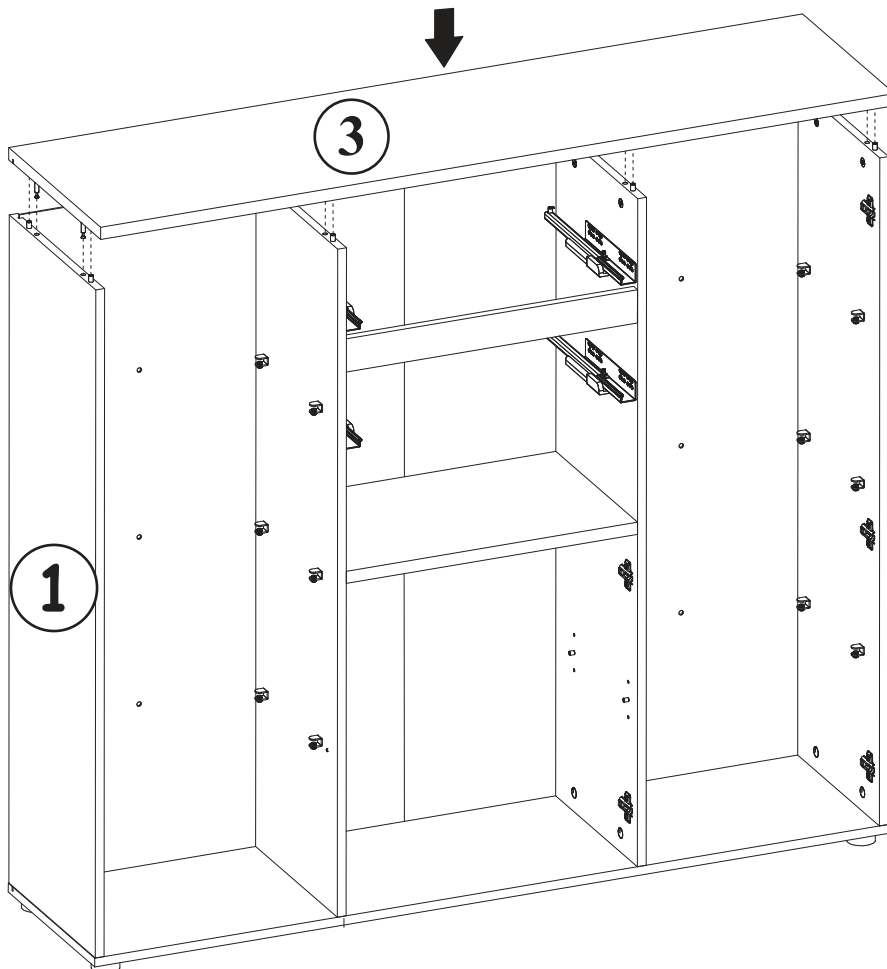
G5	
x8	




18

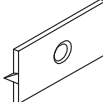


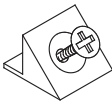
19

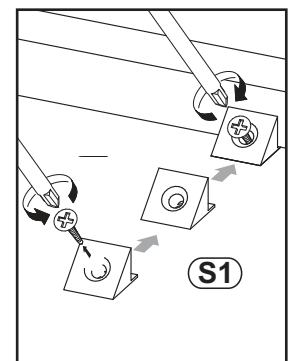
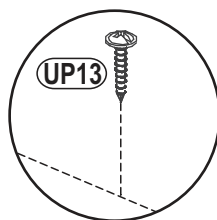
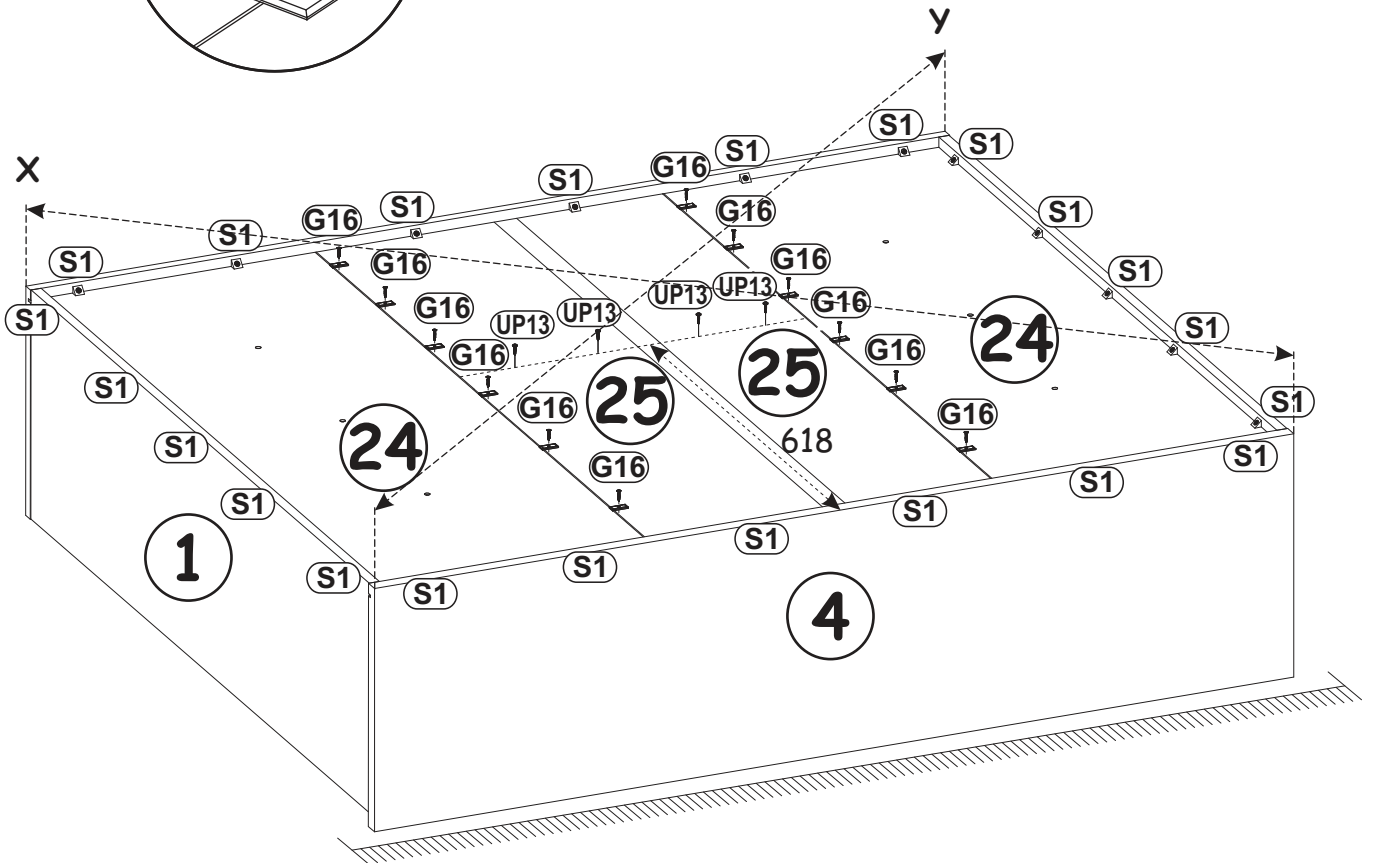
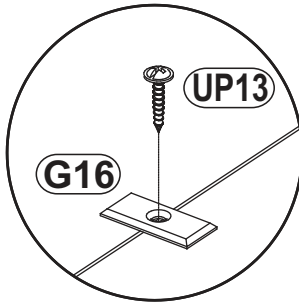
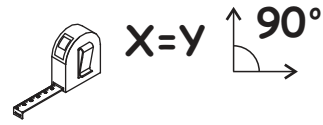


20

UP13	
x16	UPØ3x16

G16	
x12	

S1	
x22	

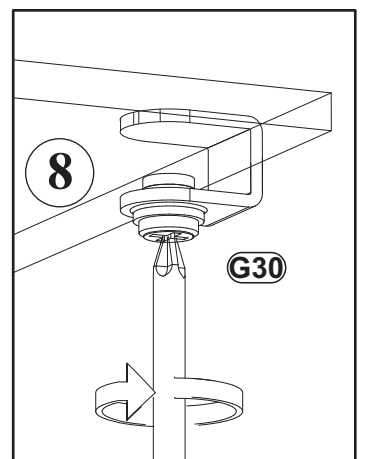
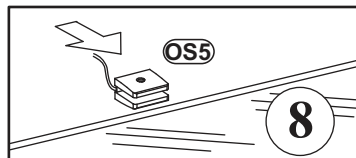
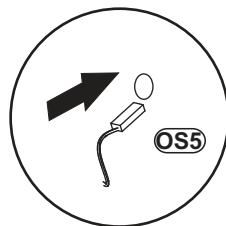
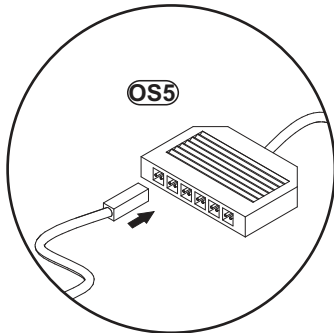
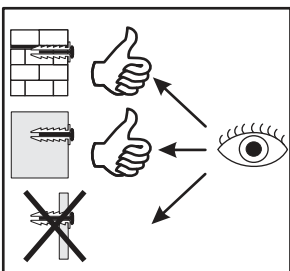
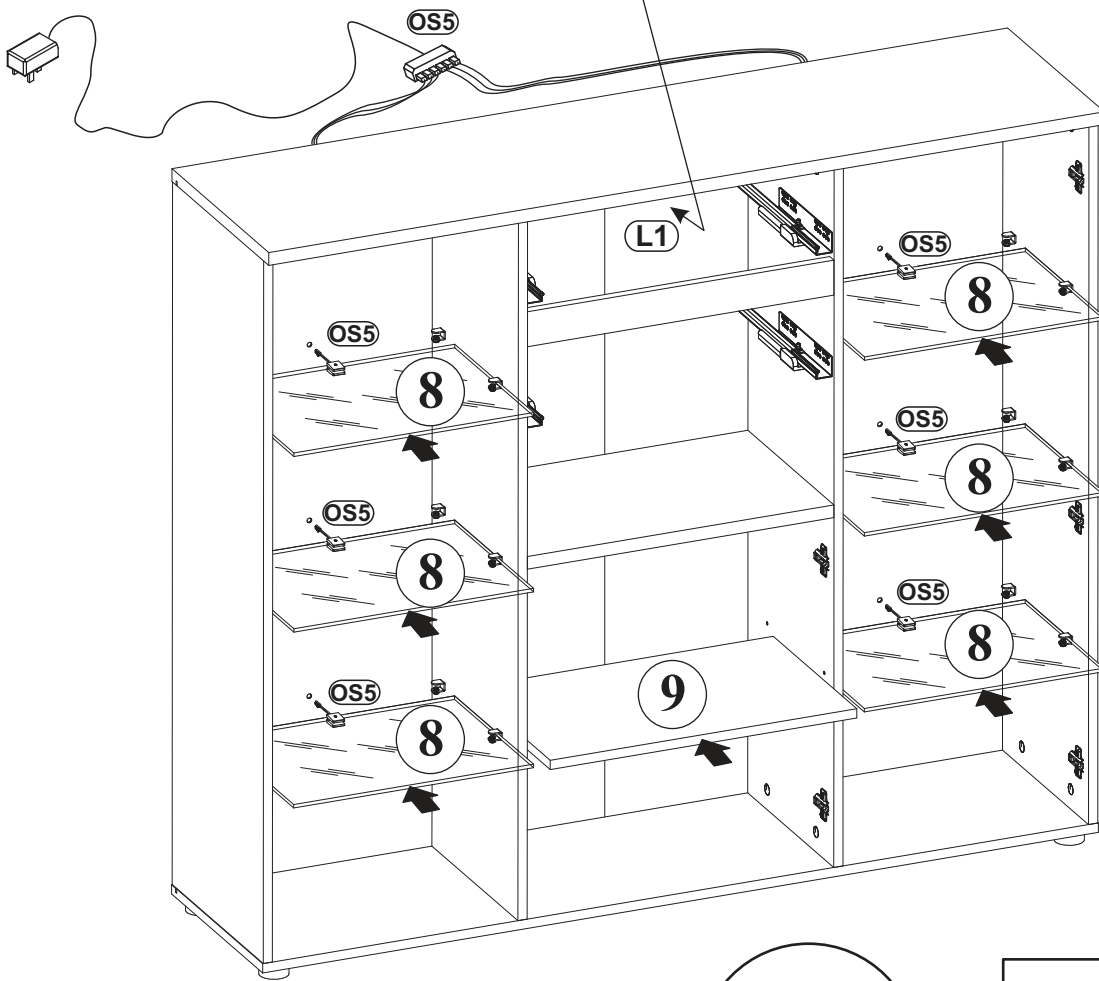
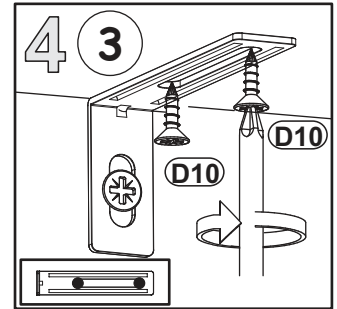
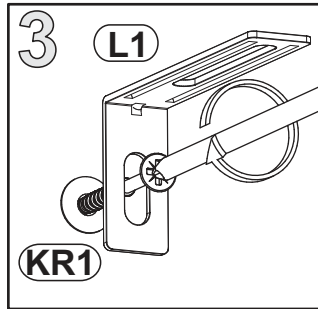
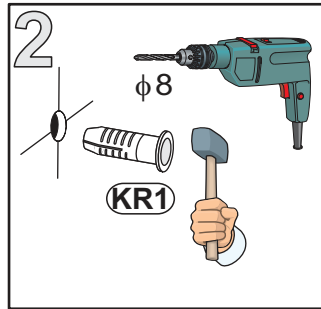
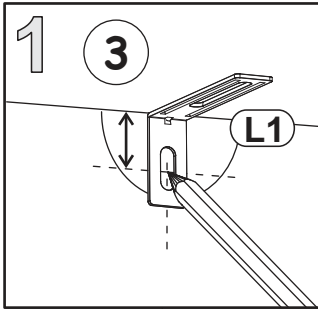


OS5	
x1	x6

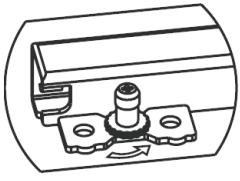
D10	
x2	USØ3,5x13

L1	
x1	

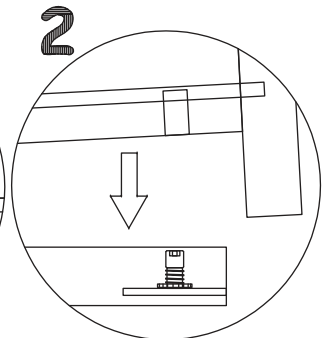
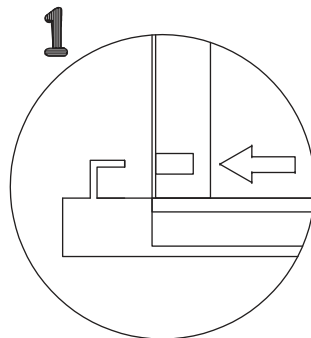
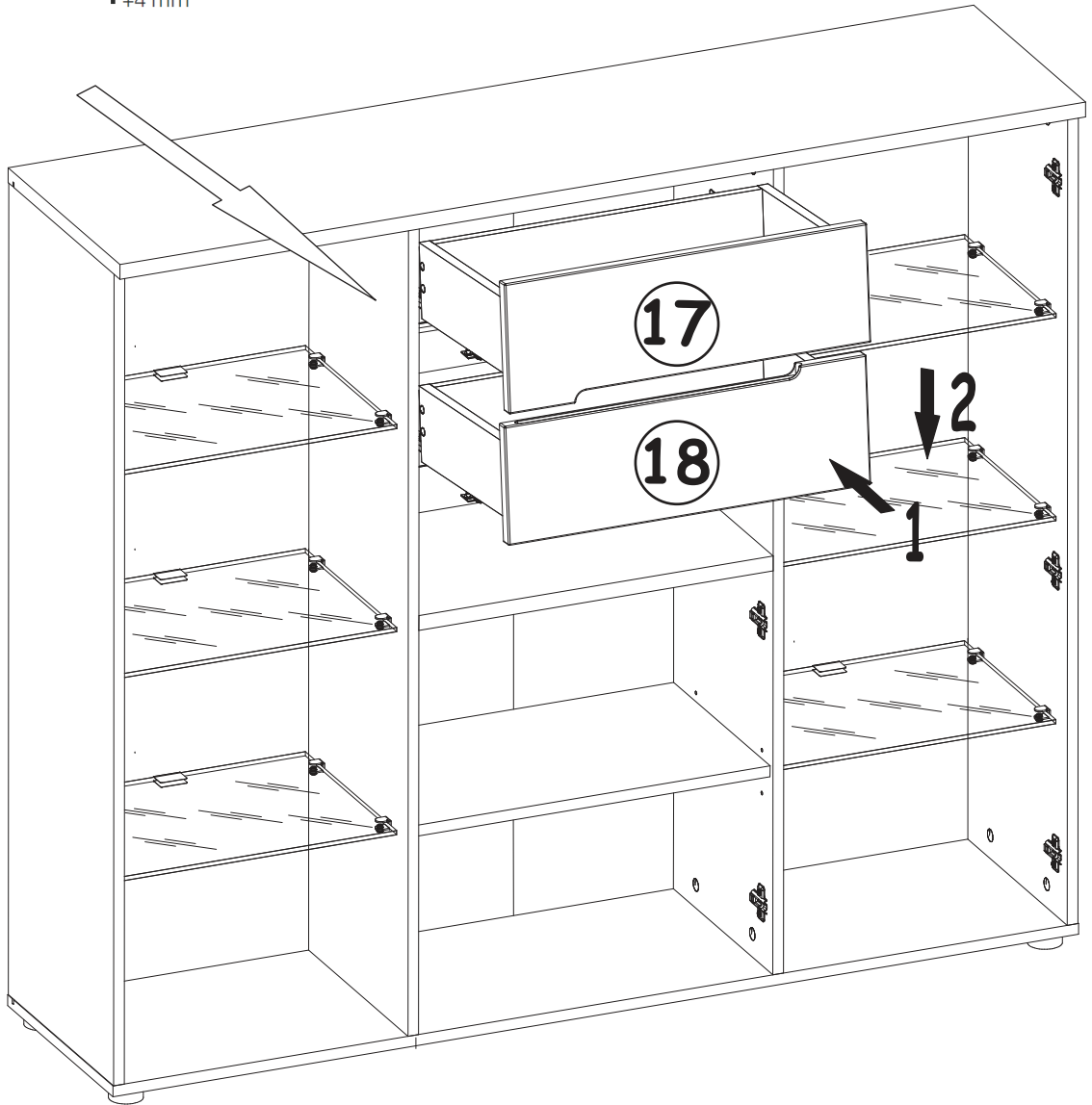
KR1	
x1	



22



↑ +4 mm



23

