

SAFADO / MARLEEN

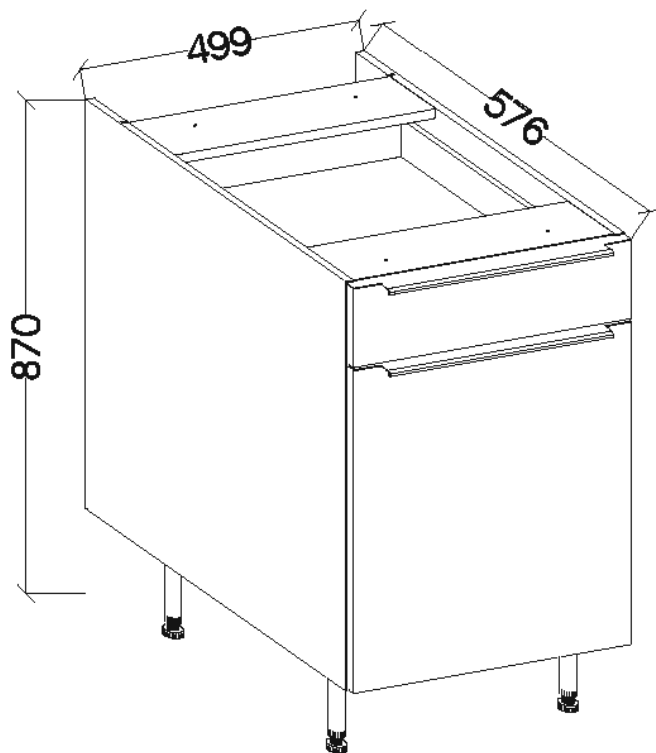
84-170-...






84-176-...

84-17A-...











respekta®

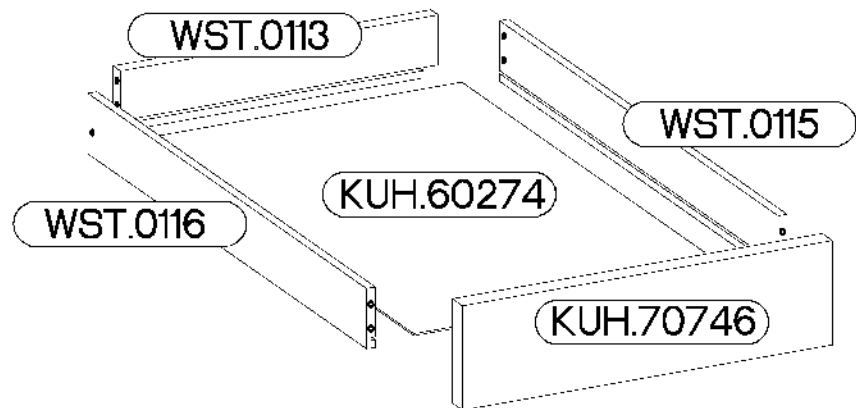
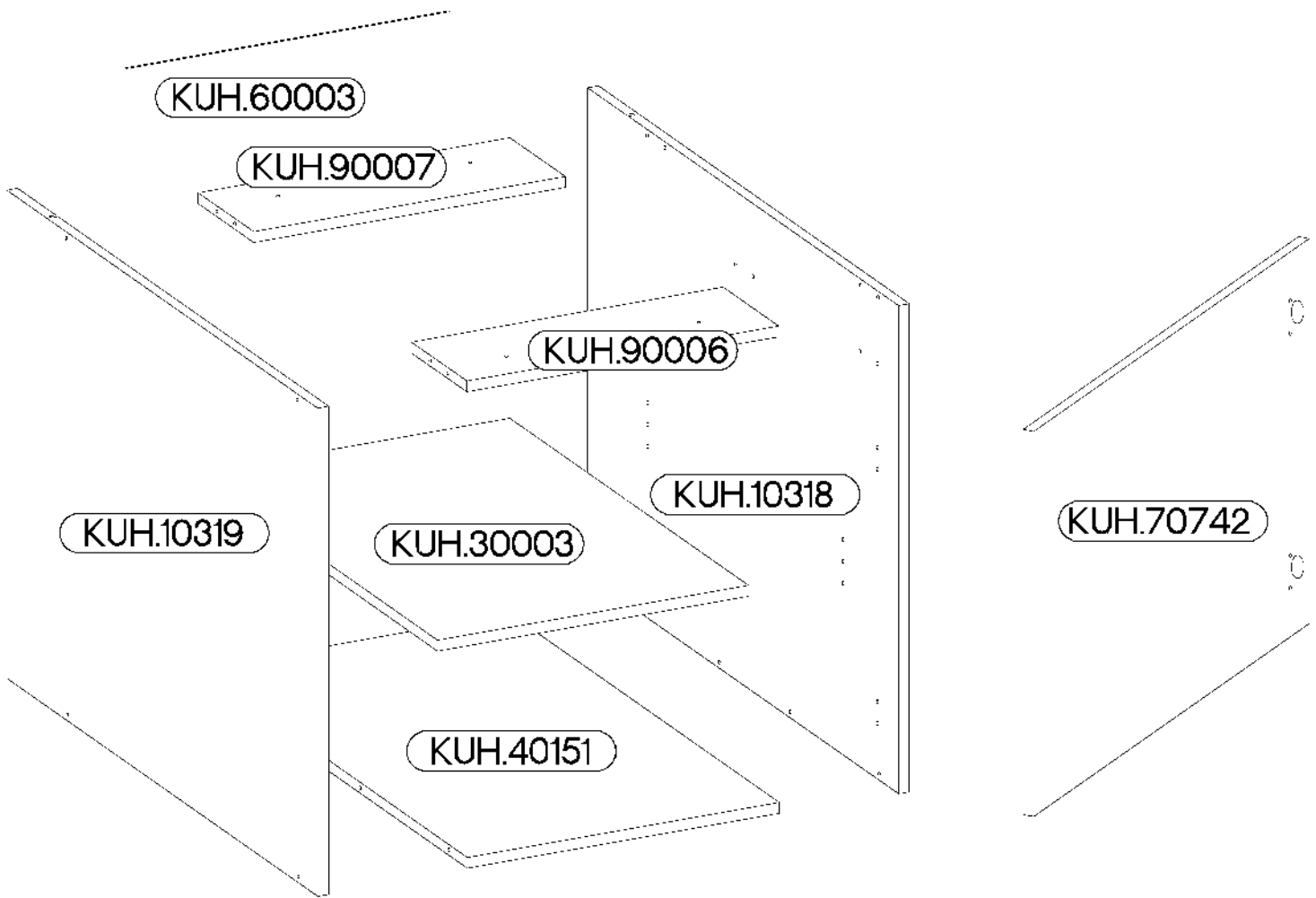


 A	 B	 B2	 C5	 D2
12	8	2	2	2

 E1	 F15	 F16	 HG L=450mm	 L11	 J3	 L
8	4	6	2	1	4	2

 M2	 O	 O1	 P5	 P7	 P11	 R3	 SL50
8	1	1	32	8-10	6	4	2

ISM-KUH-01600



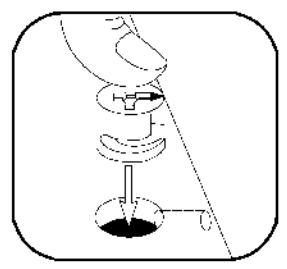
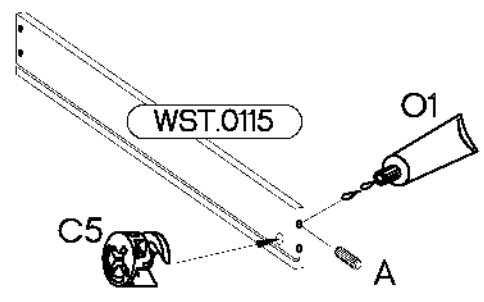
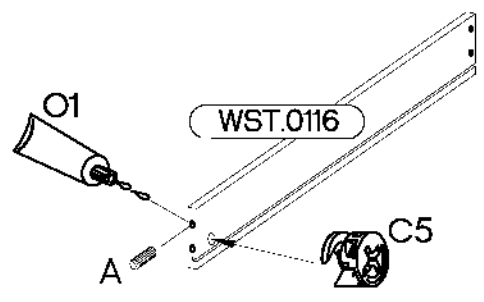
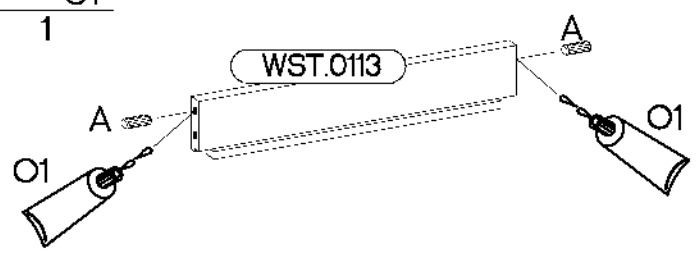
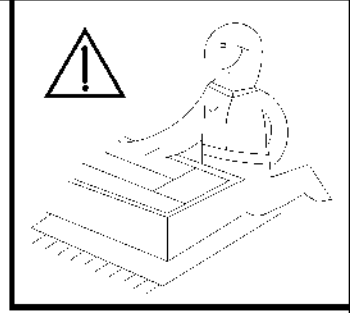
Colli	Spare Part	Dimension
Colli 1/6	KUH.10318	720x560x16
	KUH.10319	720x560x16
	KUH.30003	466x430x16
	KUH.40151	467x485x16
	KUH.60003	713x485x2,5
	KUH.60274	448x437x2,5
	KUH.70742	568x496x16
	KUH.70746	138x496x16
	KUH.90006	467x100x16
	KUH.90007	467x100x16
	WST.0113	427x80x12
	WST.0115	450x80x12
	WST.0116	450x80x12



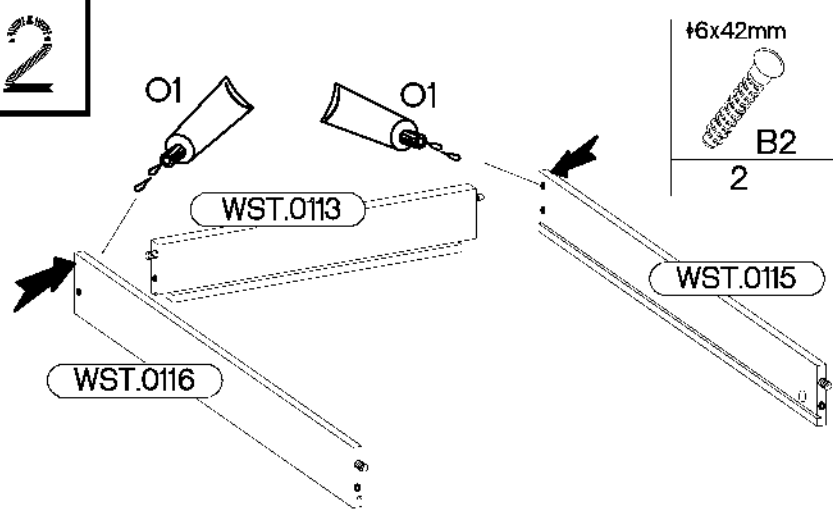
KUH.30003

KUH.40151

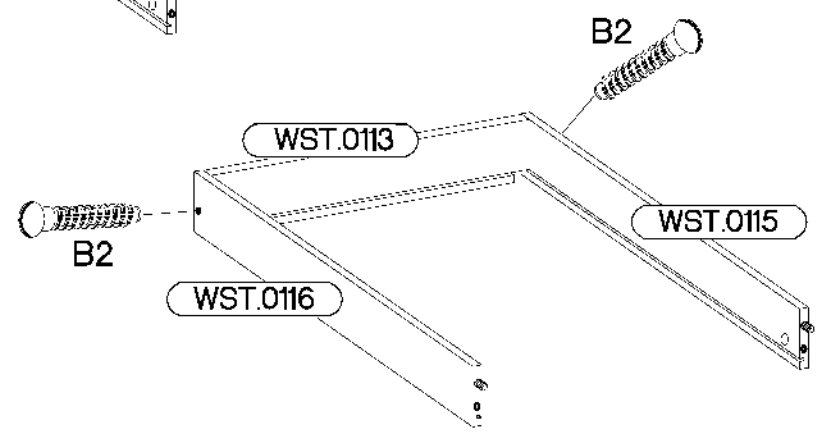
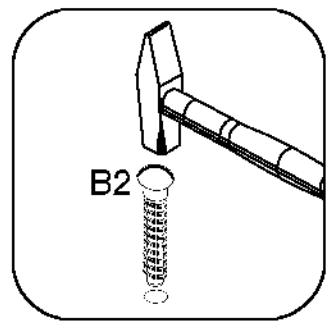
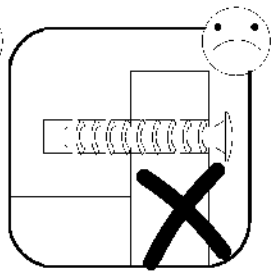
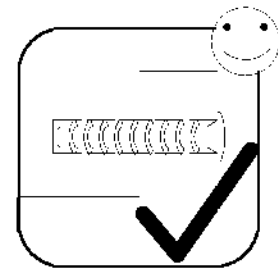
- #12/10mm C5 2
- #8x30mm A 4
- O1 1



2

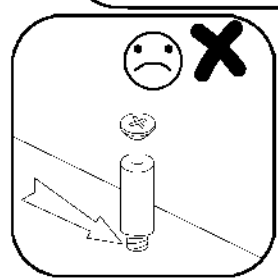
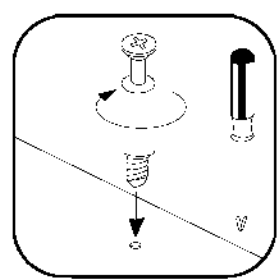
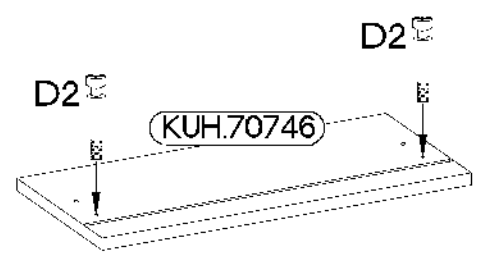


- #6x42mm B2 2
- O1 1

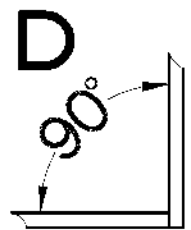
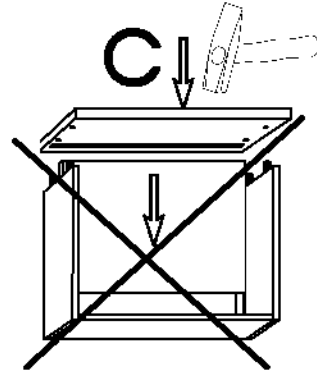
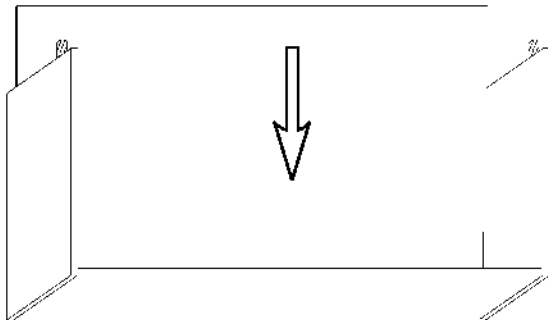
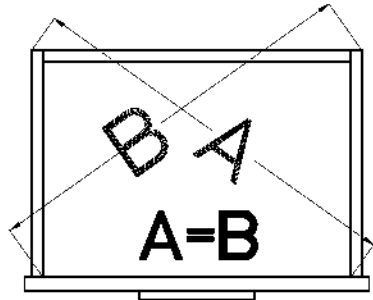
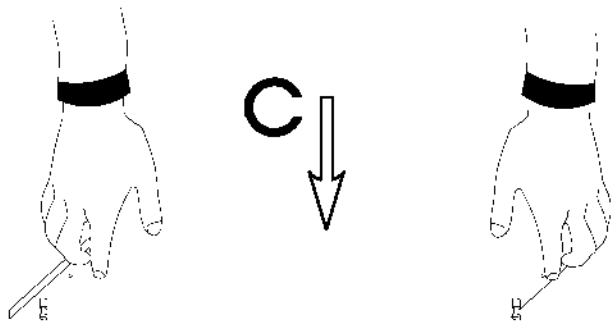
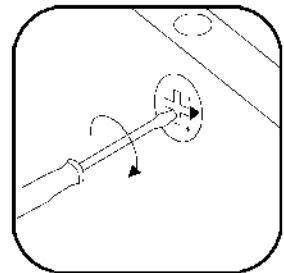
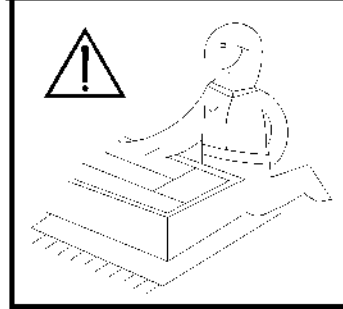
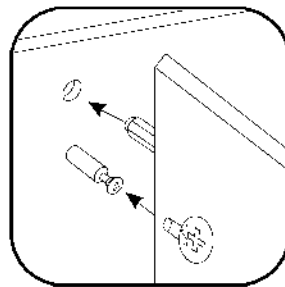
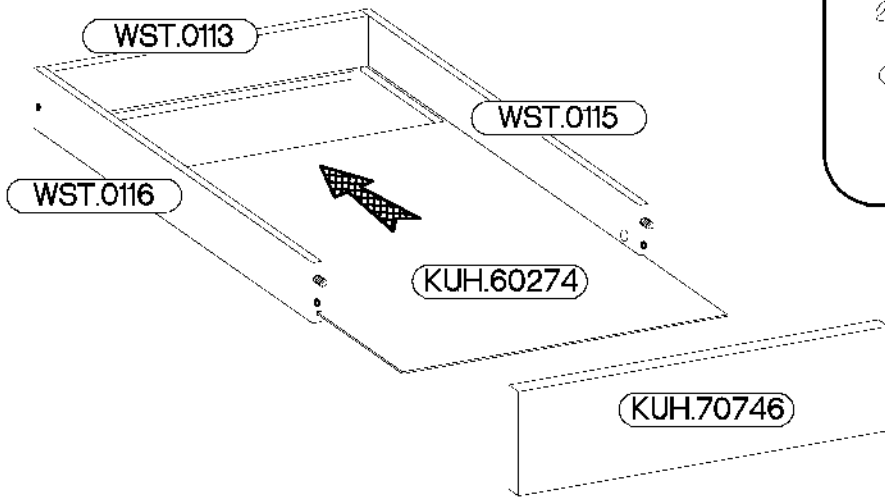


3

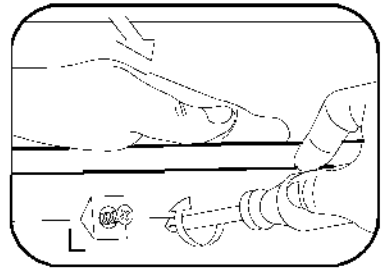
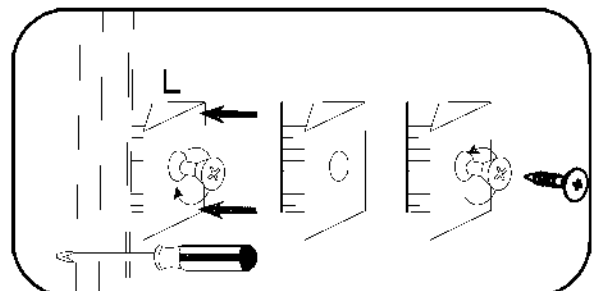
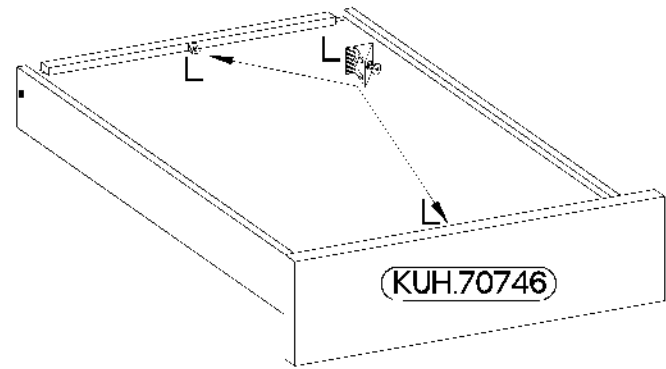
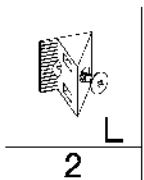
- L=20mm D2 2



4

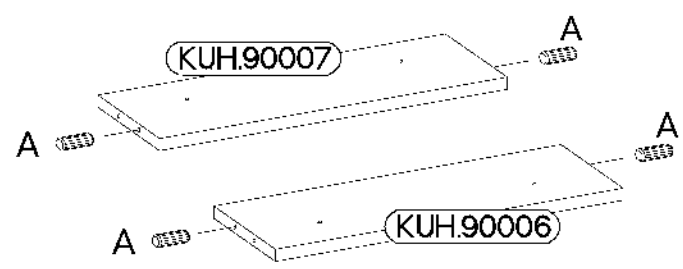
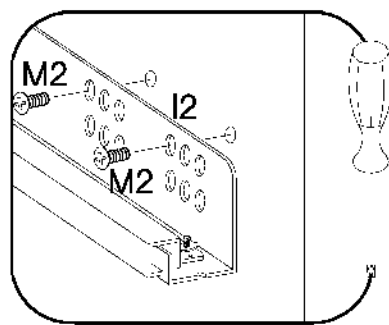
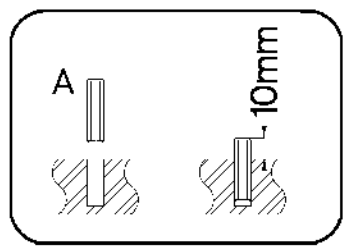
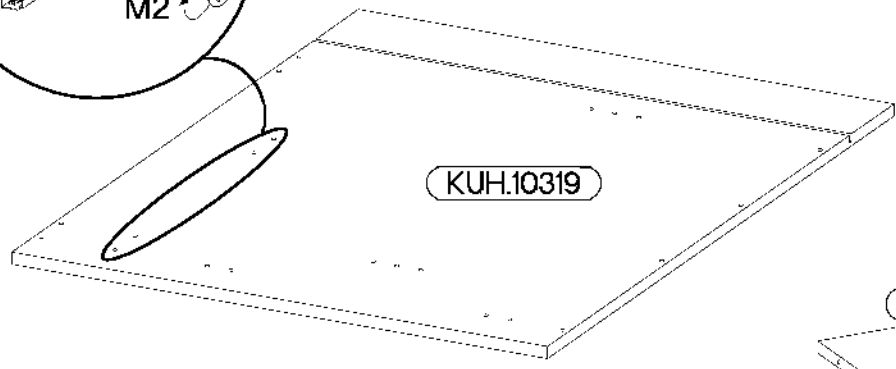
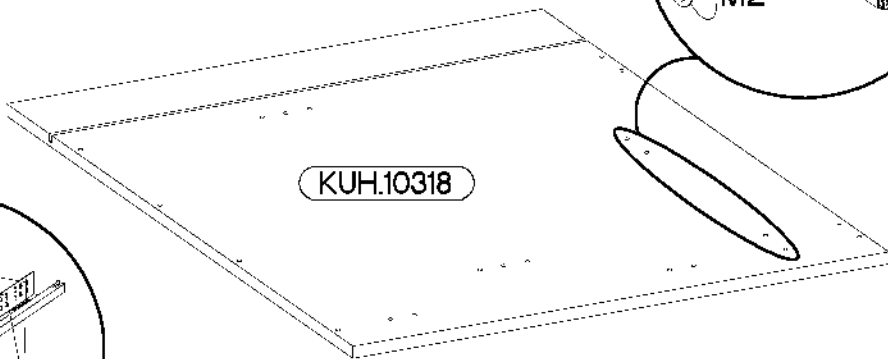
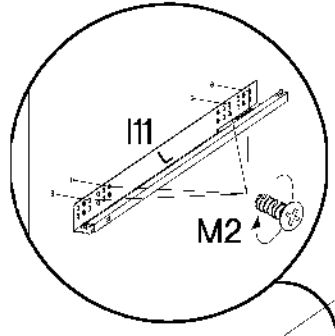
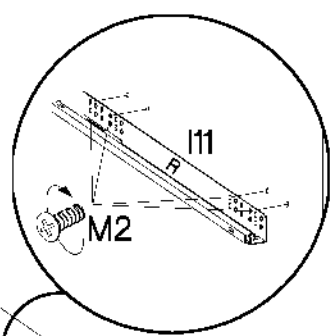
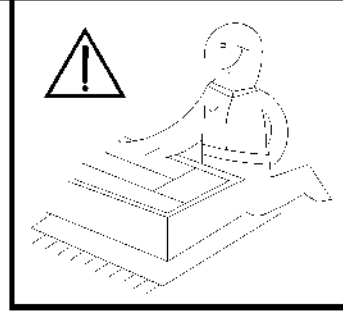


5



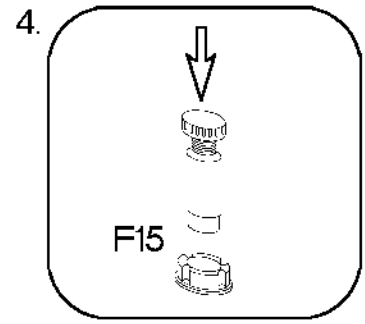
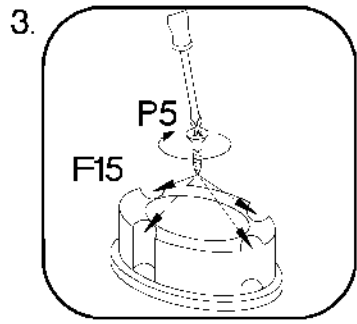
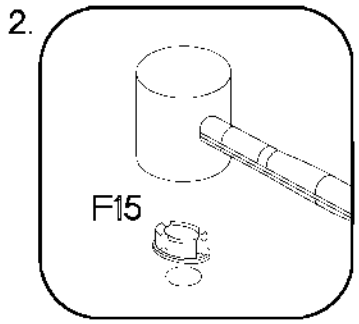
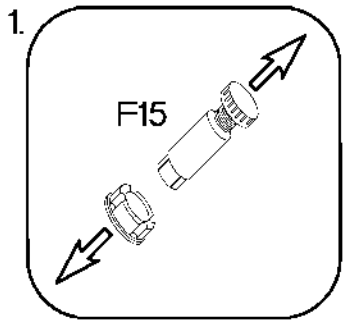
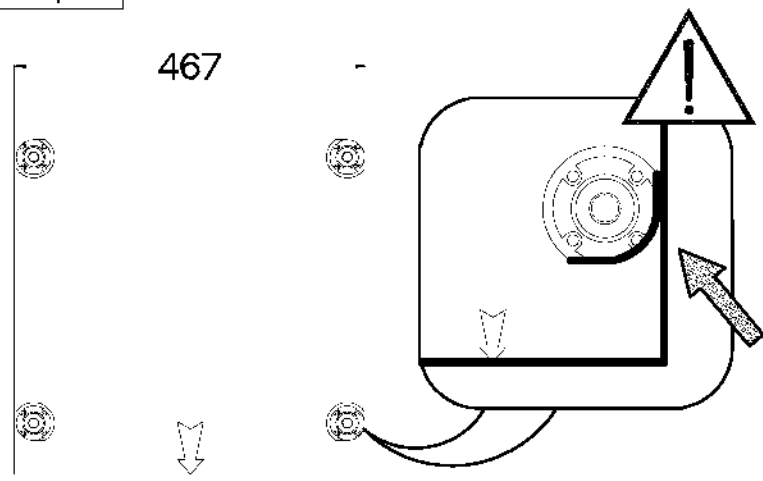
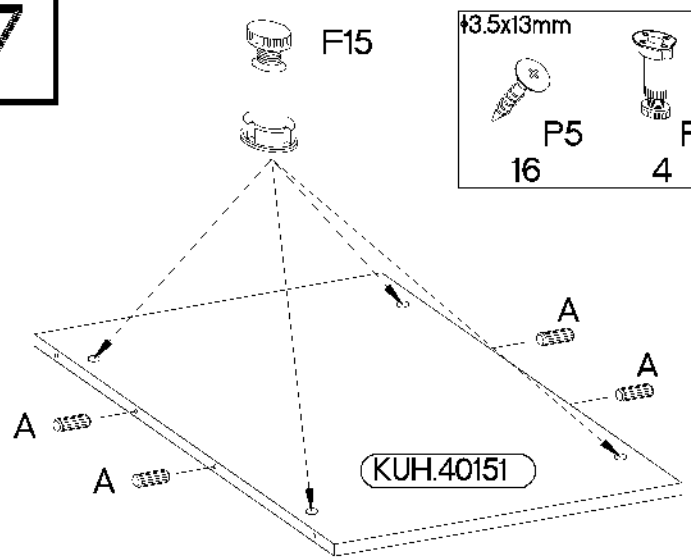
6

- 4 $\varnothing 8 \times 30 \text{mm}$
- 1 L=450mm I11
- 8 $\varnothing 6.3 \times 13 \text{mm}$ M2



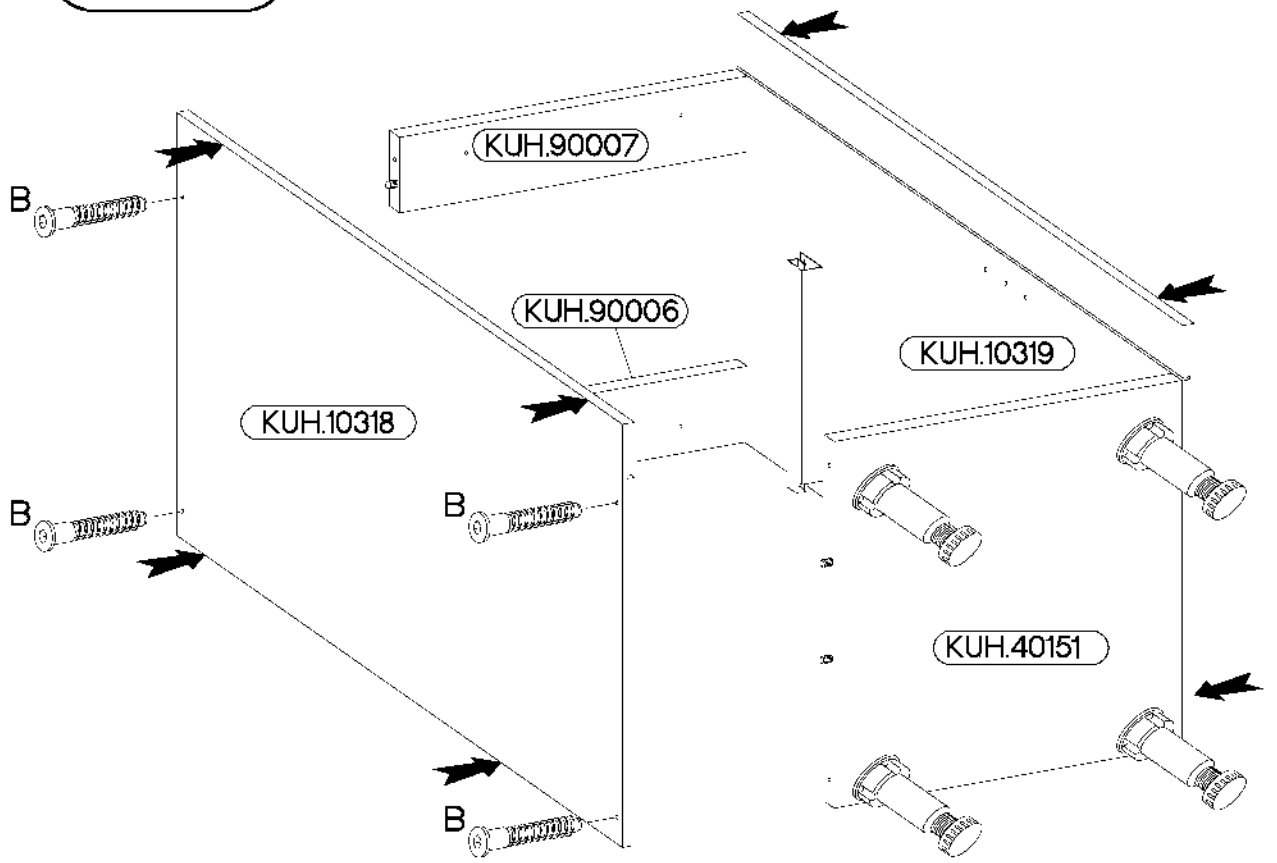
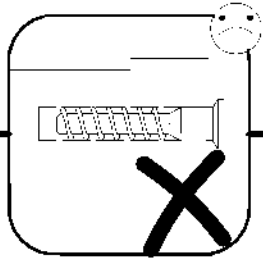
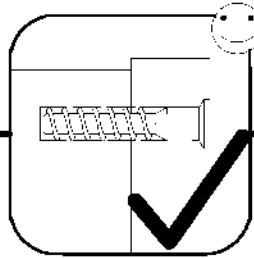
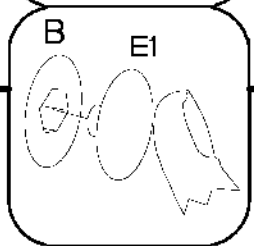
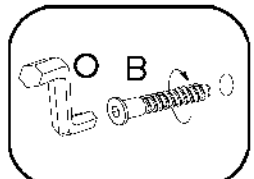
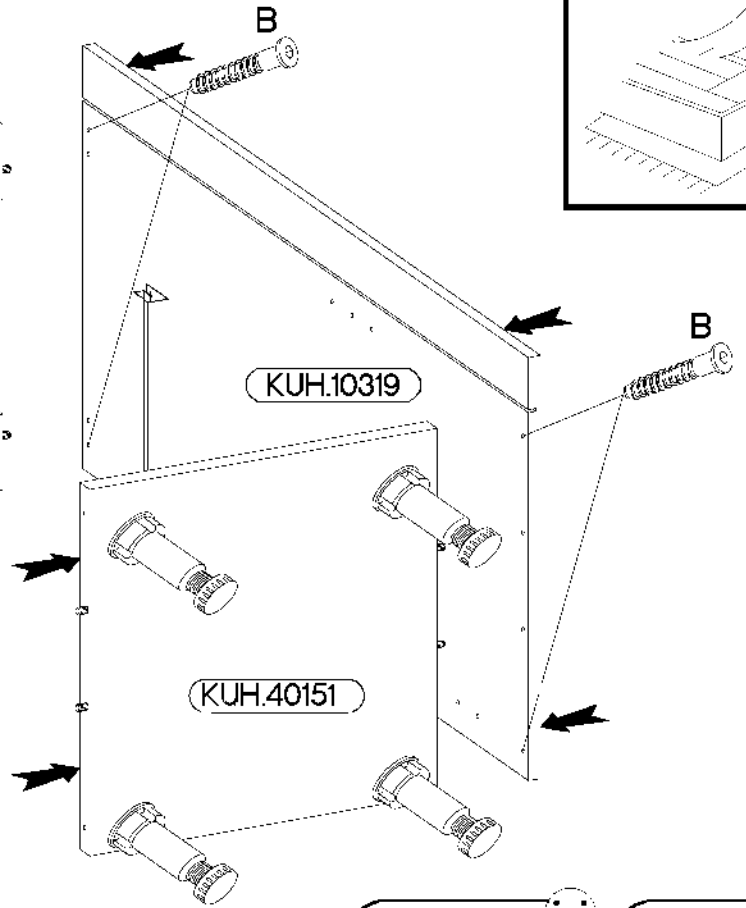
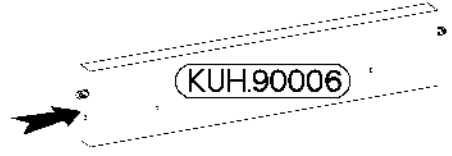
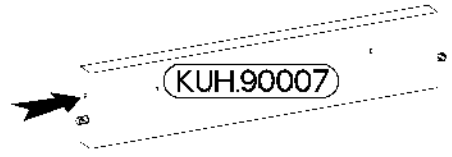
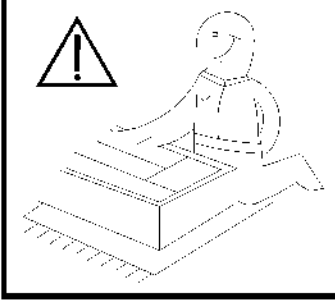
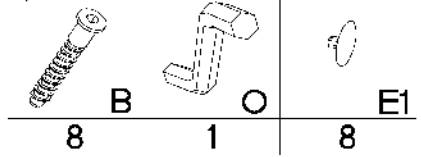
7

- 16 $\varnothing 3.5 \times 13 \text{mm}$ P5
- 4 F15
- 4 $\varnothing 8 \times 30 \text{mm}$ A





6,4 x 50mm

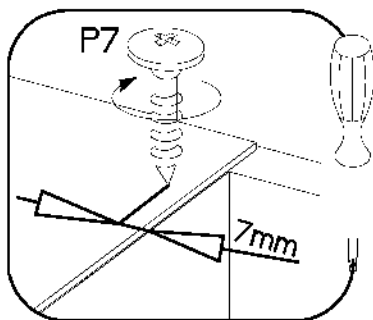
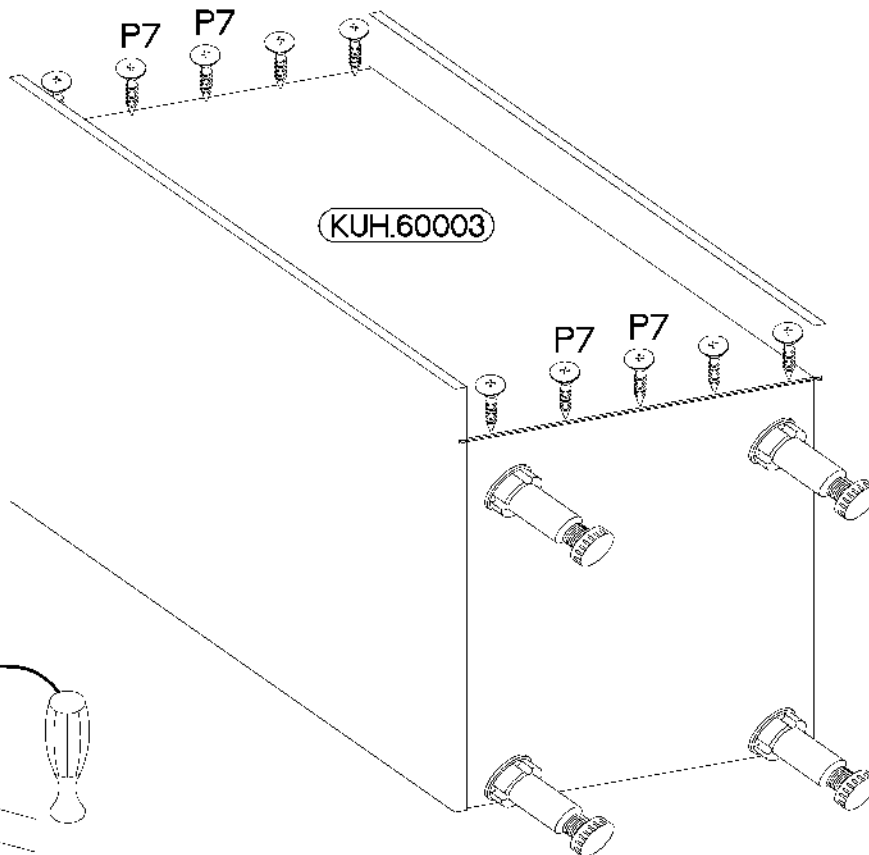
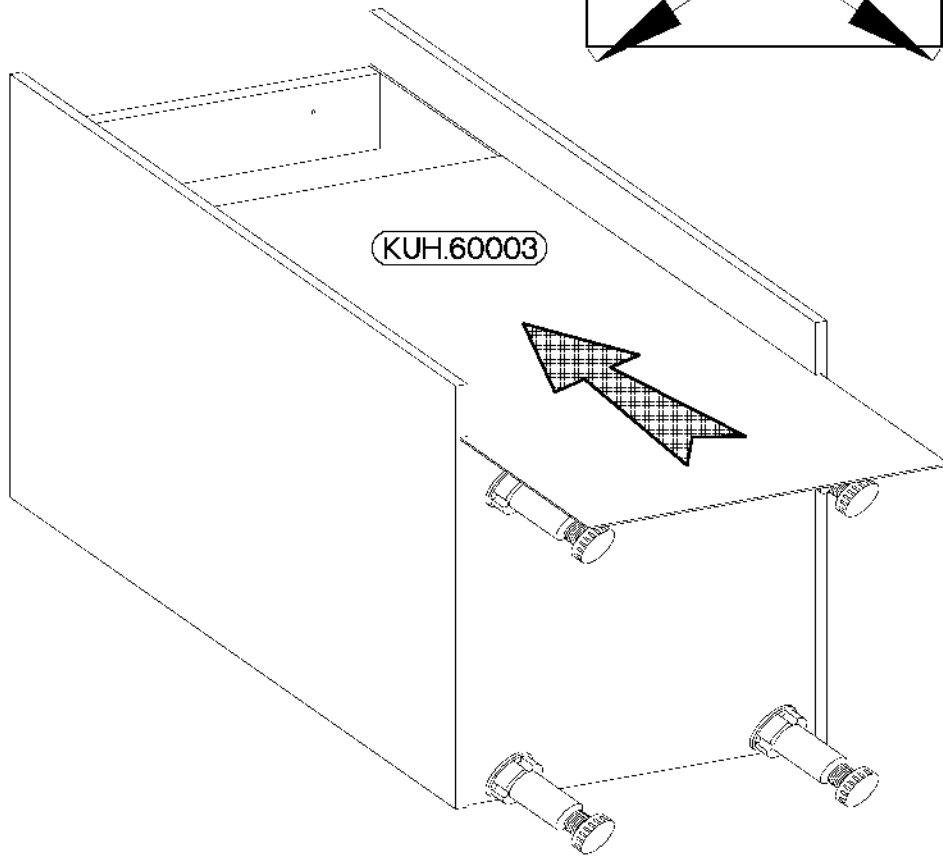
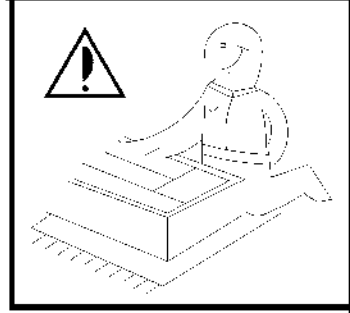
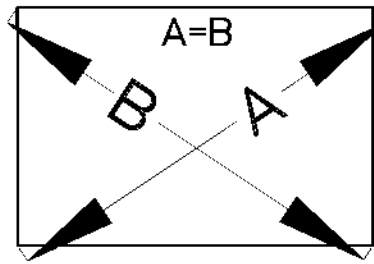


3.0x20mm



P7

8-10



1

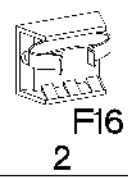
4.0x35mm 3.5x13mm



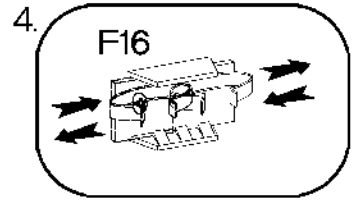
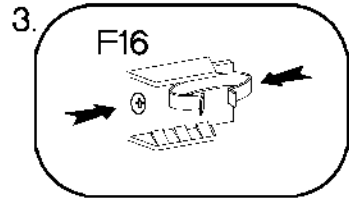
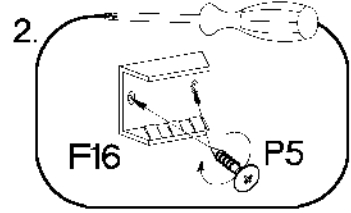
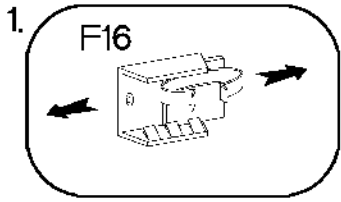
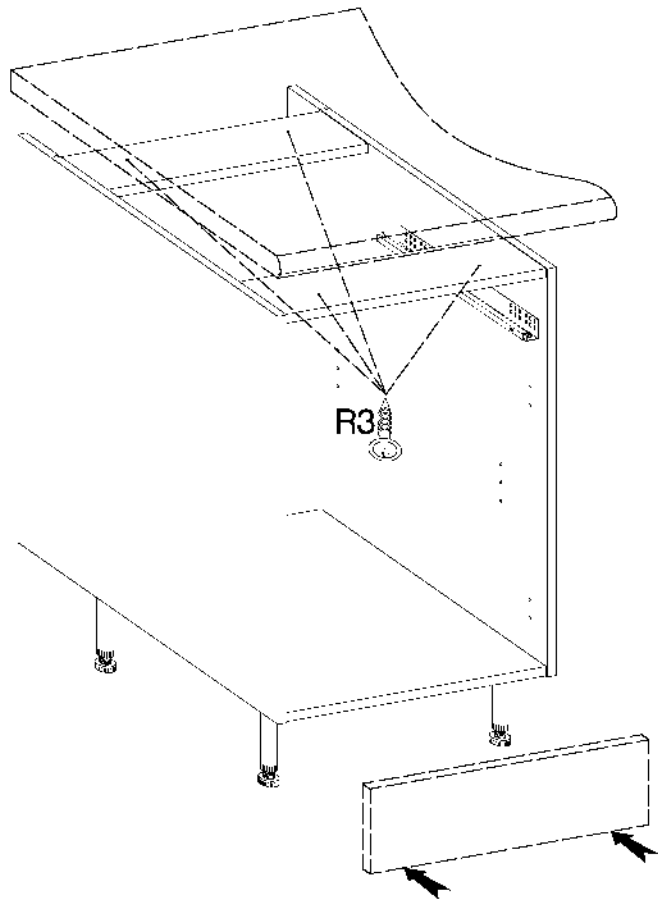
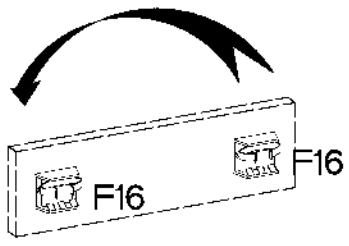
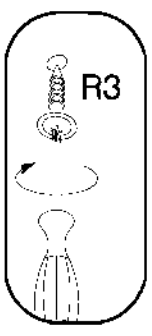
R3
4



P5
4



F16
2

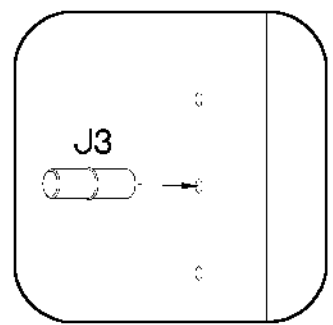
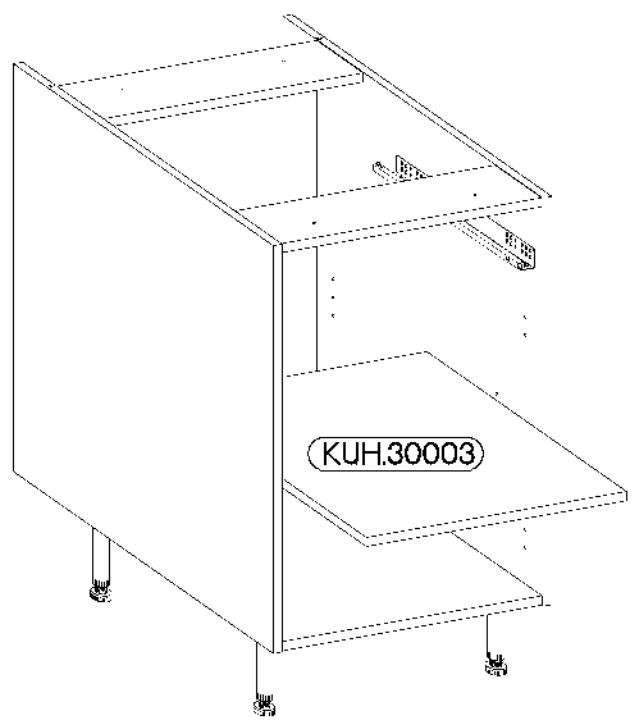


2

5/16mm

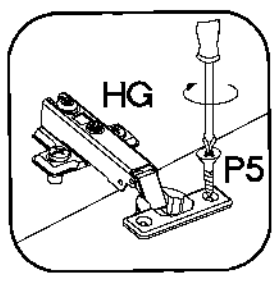
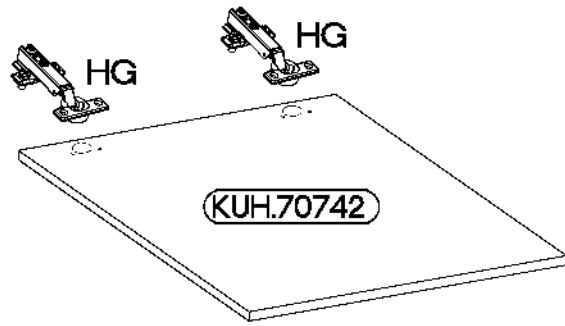


J3
4



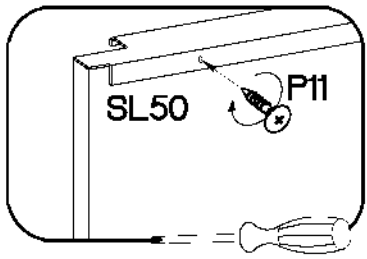
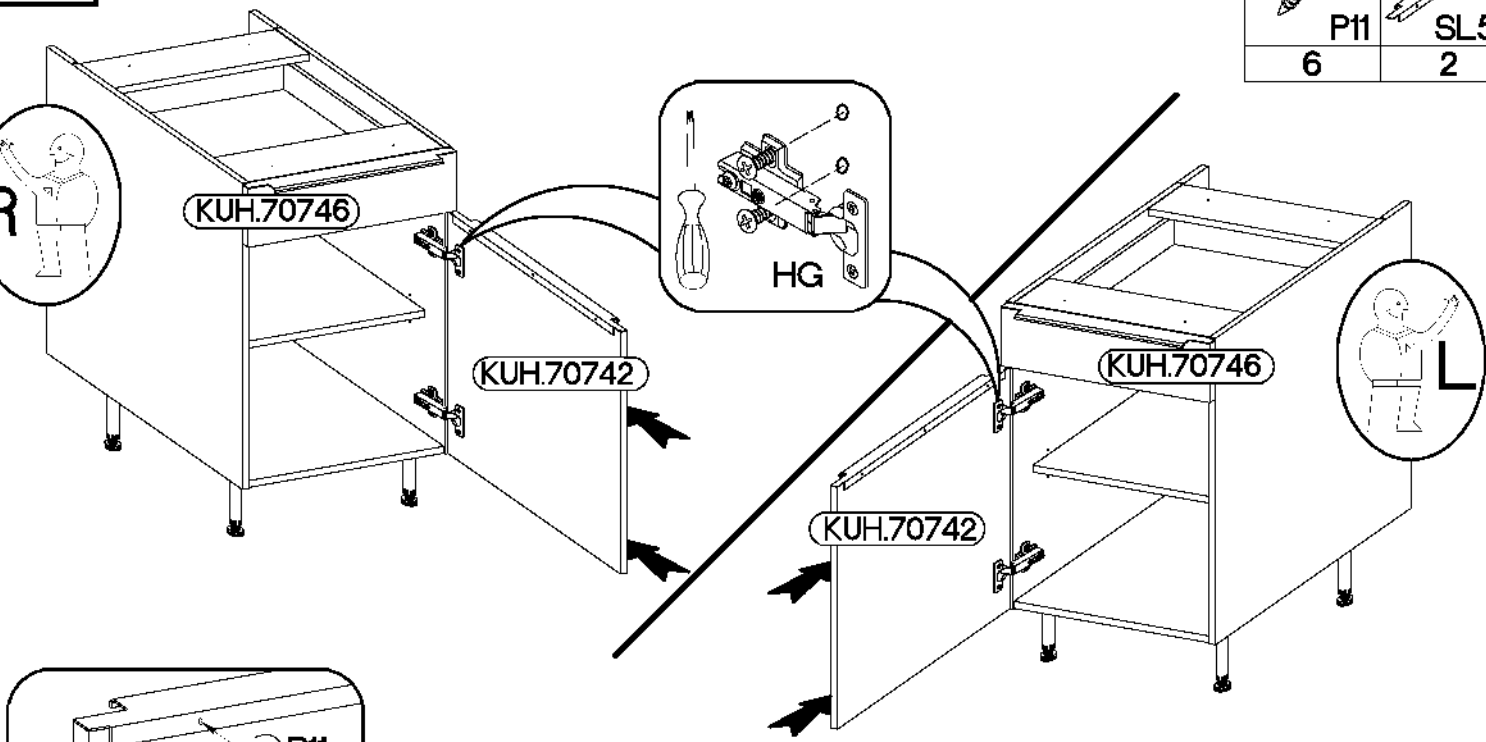
13

∅35/0mm HG 2	∅3.5x13mm P5 4
--------------------	----------------------

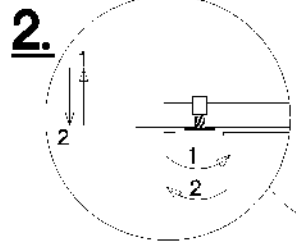
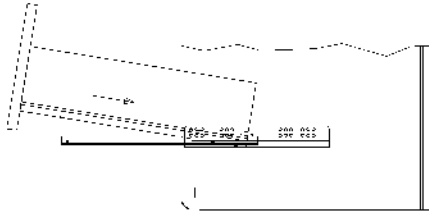


14

∅3.0x16mm P11 6	L=495mm SL50 2
-----------------------	----------------------



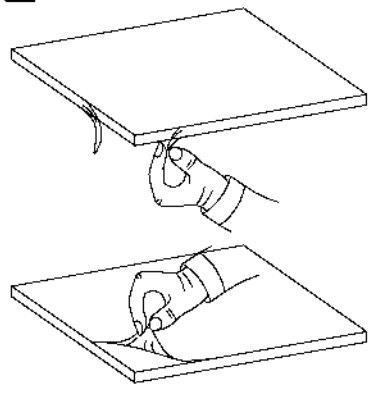
1.



2.

VARIANT HIGH GLOSS

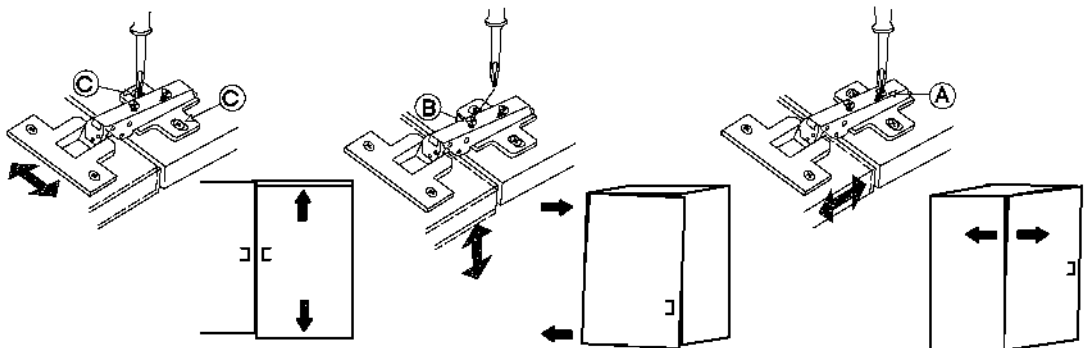
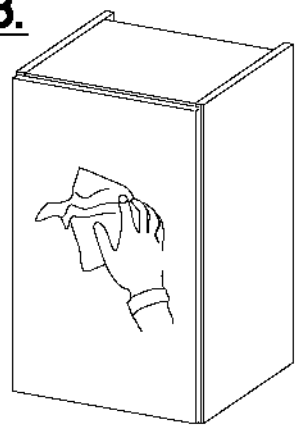
1.

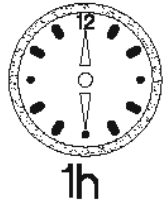
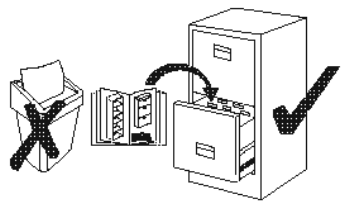
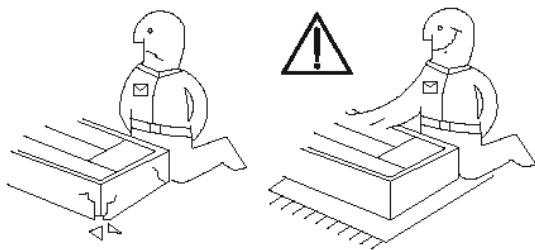
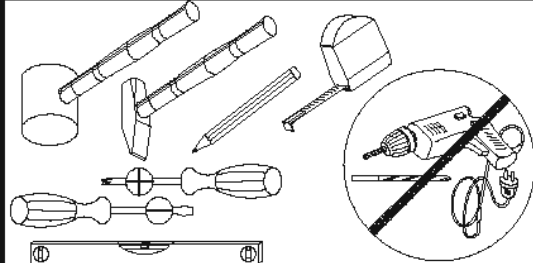
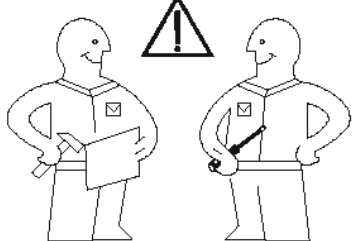


2.



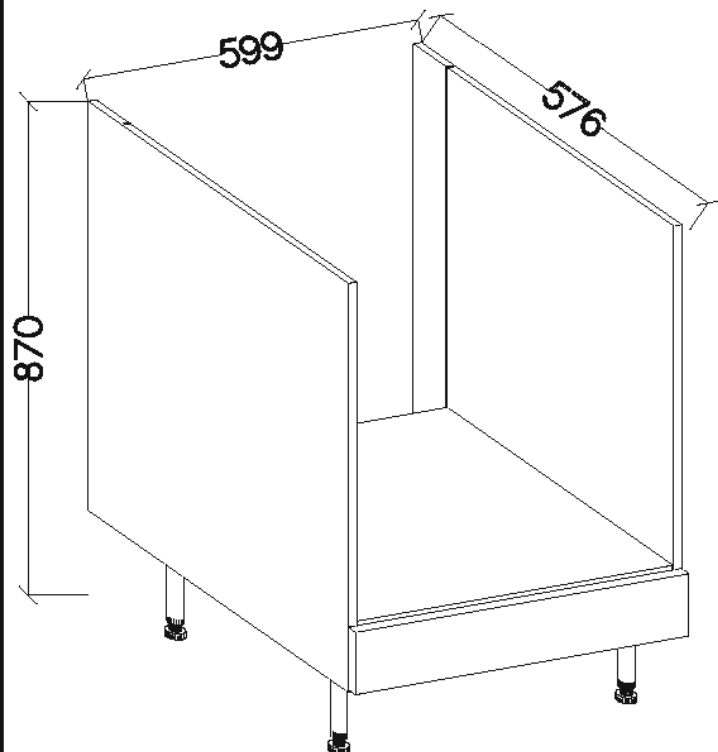
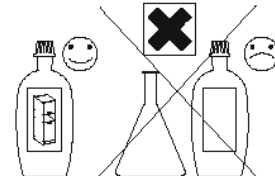
3.



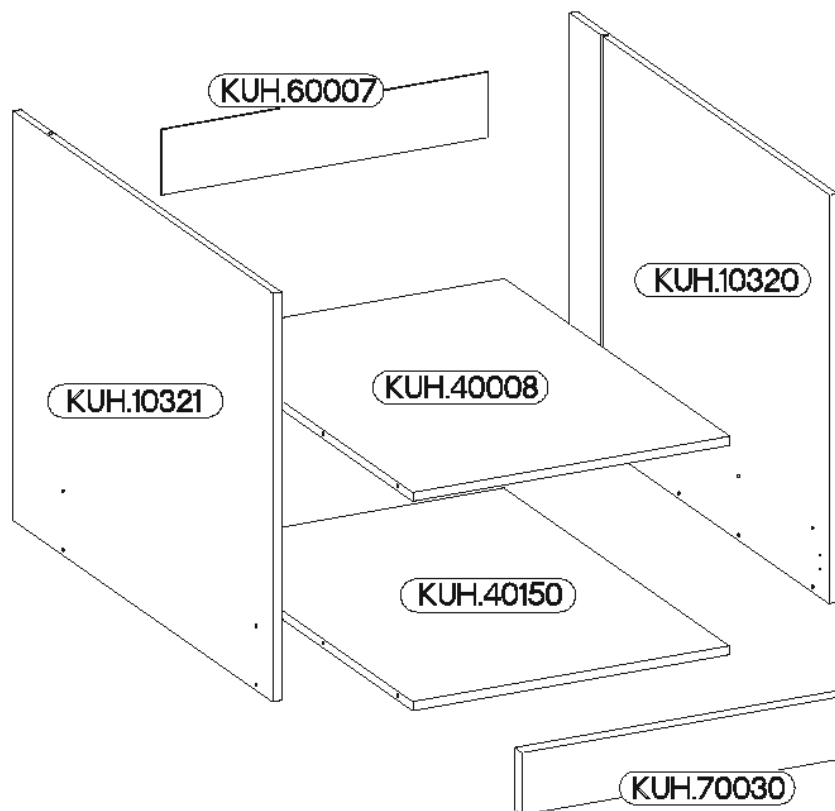


SAFADO / MARLEEN

84-170-...
84-17B-...



respekta®



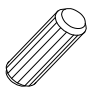
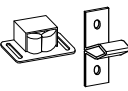

±8x30mm	6,4 x 50mm
A	B
8	8

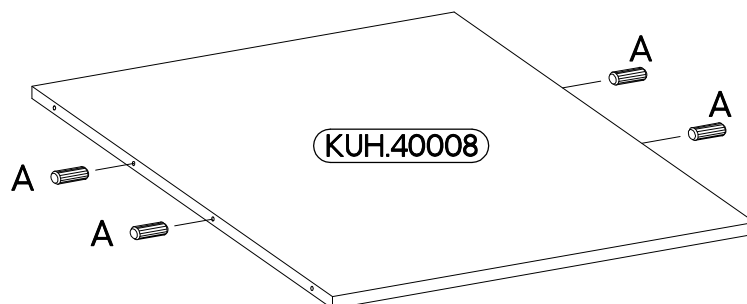
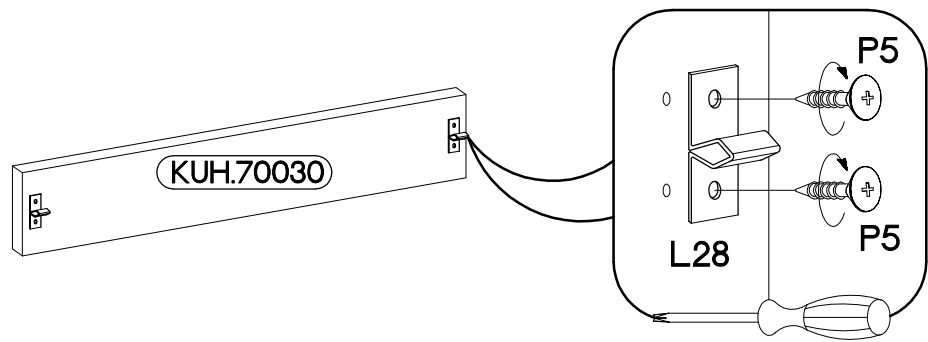
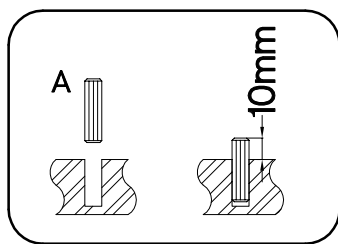
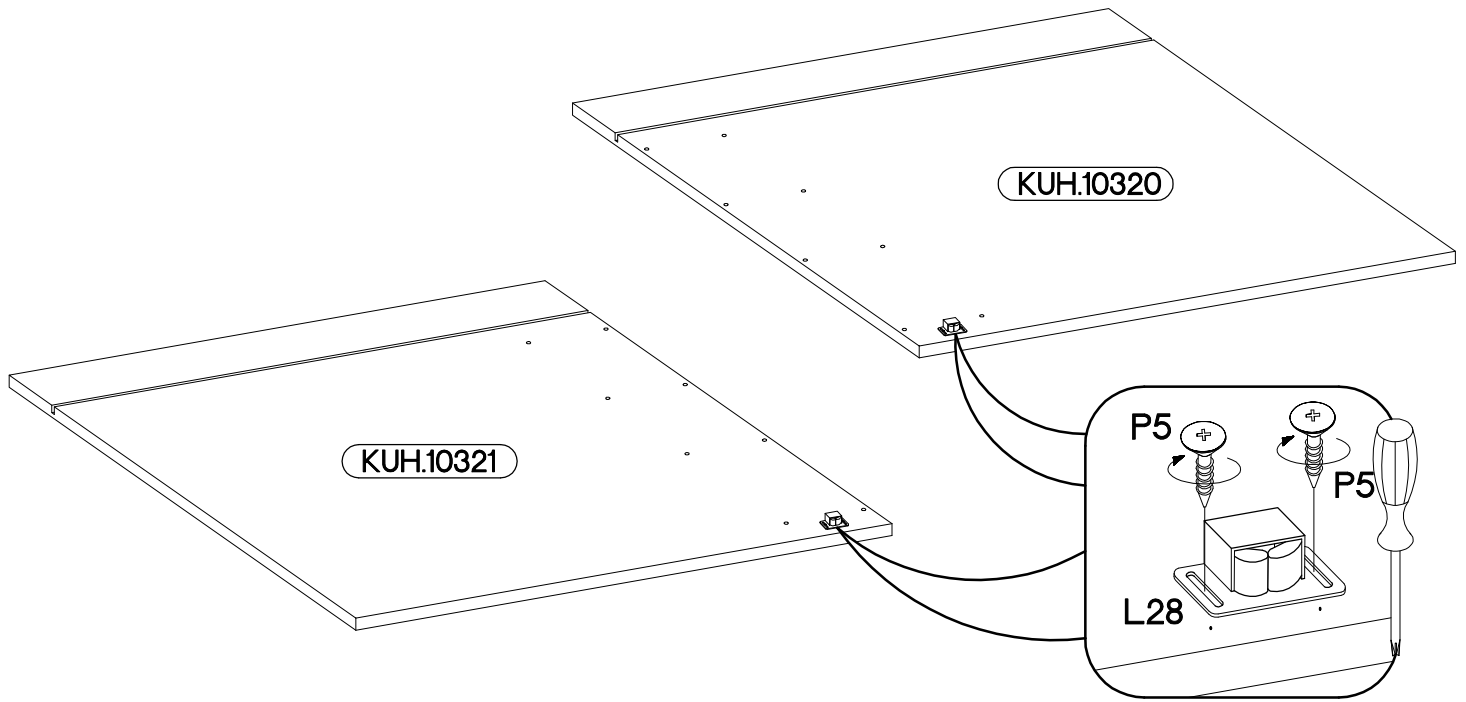
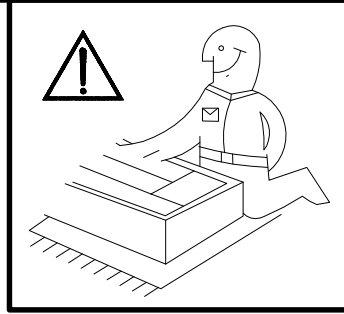
					±3.5x13mm	±3.0x20mm
E1	F15	F16	L28	O	P5	P7
8	4	2	2	1	28	8-10

Colli	Spare Part	Dimension
Colli 2/6	KUH.10320	720x560x16
	KUH.10321	720x560x16
	KUH.40008	567x485x16
	KUH.40150	567x485x16
	KUH.60007	585x115x2,5
	KUH.70030	596x110x16

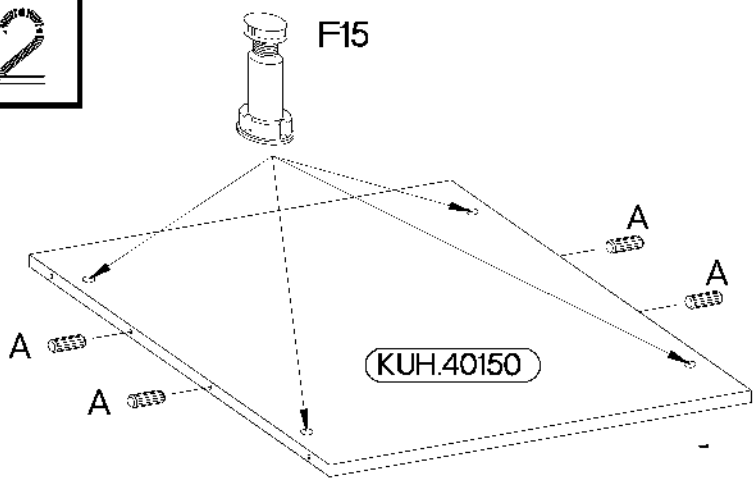
ISM-KUH-01601

1

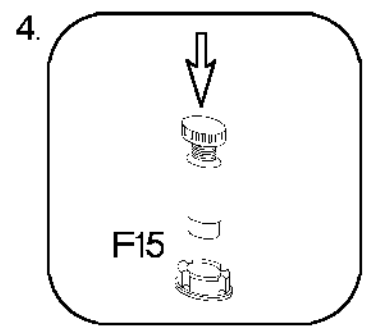
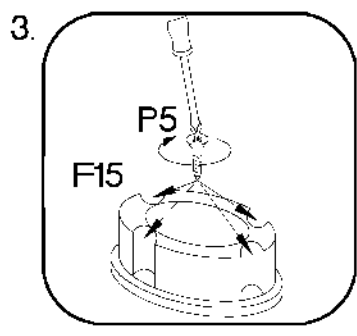
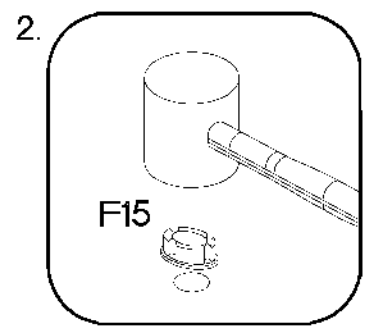
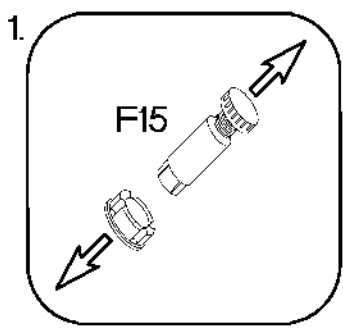
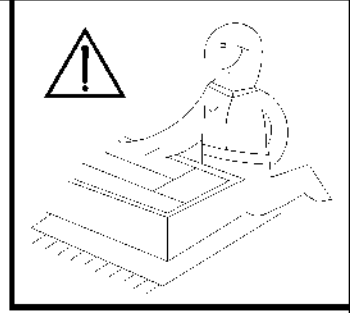
$\varnothing 8 \times 30 \text{mm}$  A	 L28	$\varnothing 3.5 \times 13 \text{mm}$  P5
4	2	8



2

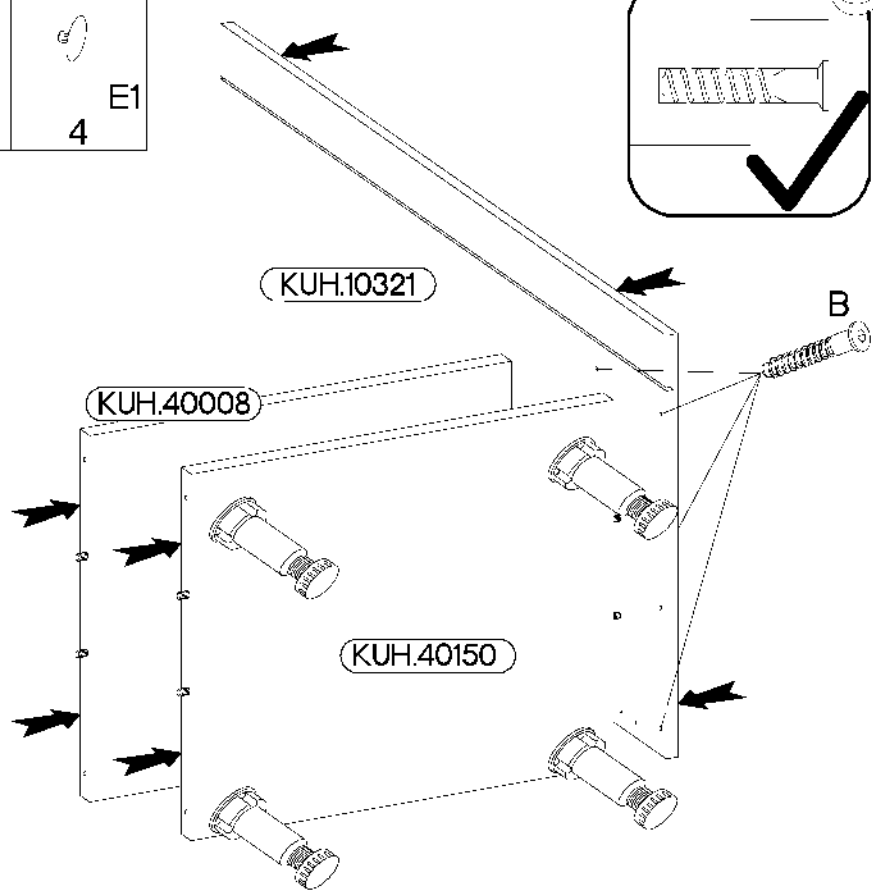
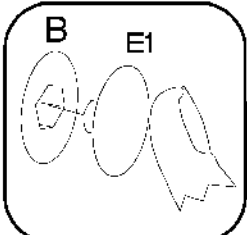
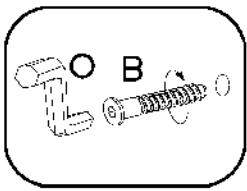
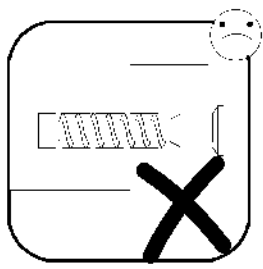
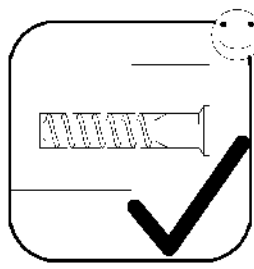


F15	P5	A
4	16	4



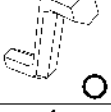
3

B	O	E1
4	1	4



4

6,4 x 50mm



B

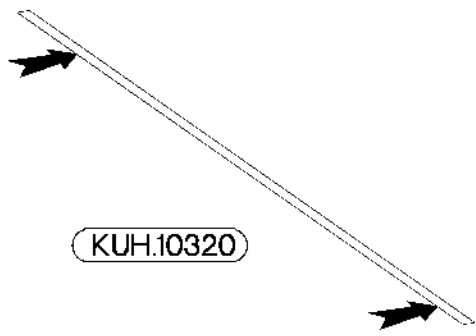
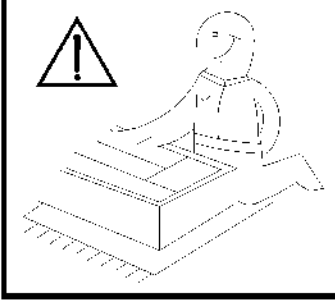
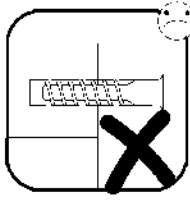
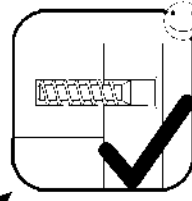
O

E1

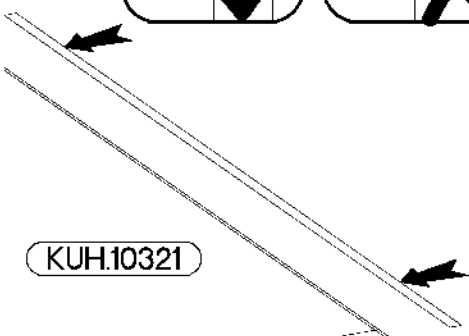
4

1

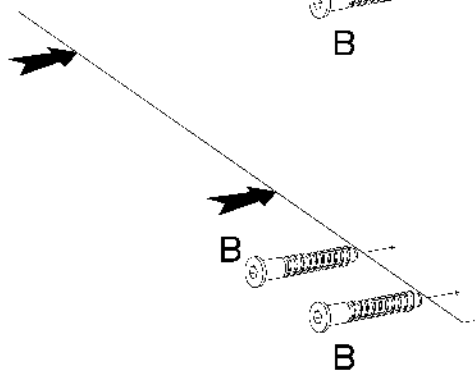
4



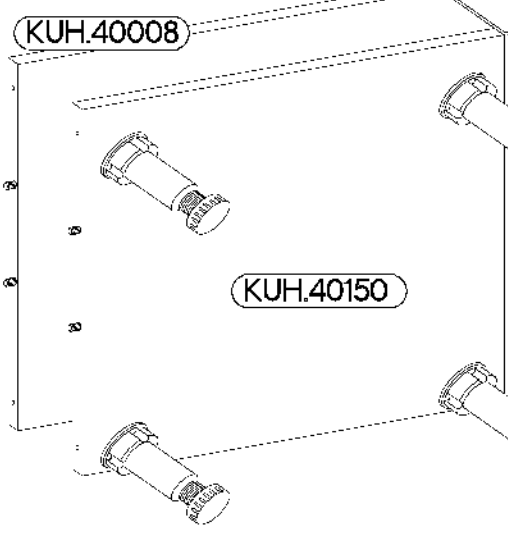
KUH.10320



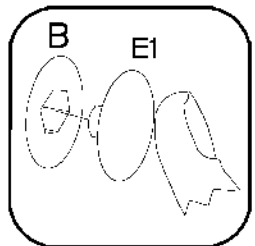
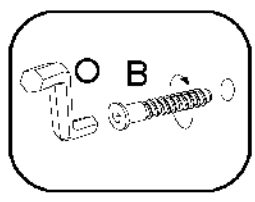
KUH.10321



KUH.40150



KUH.40008



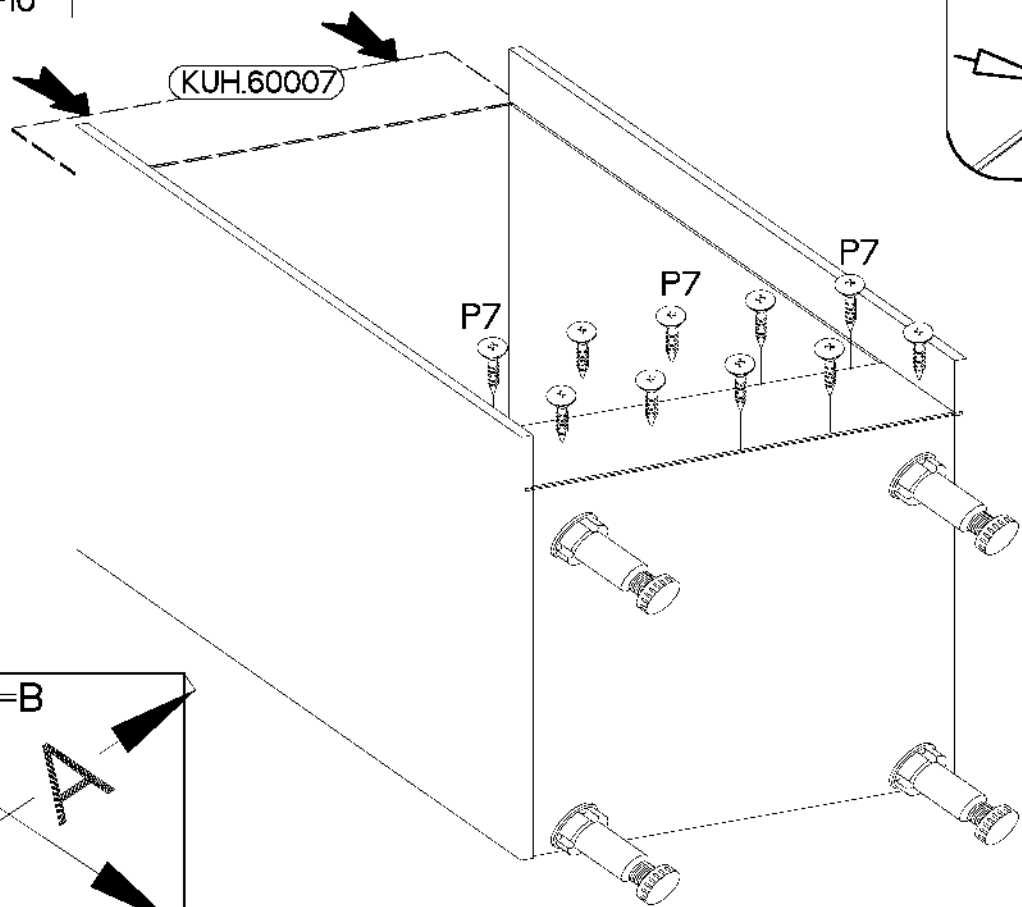
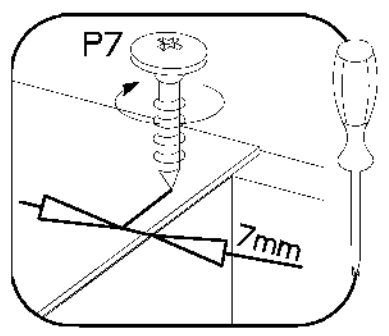
5

+3.0x20mm

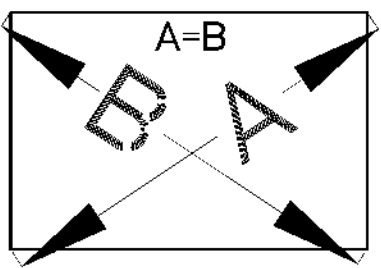


P7

8-10

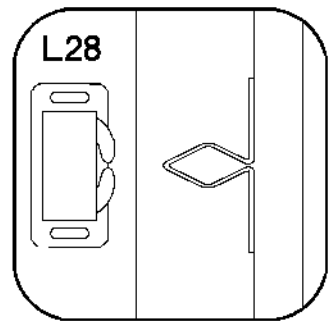
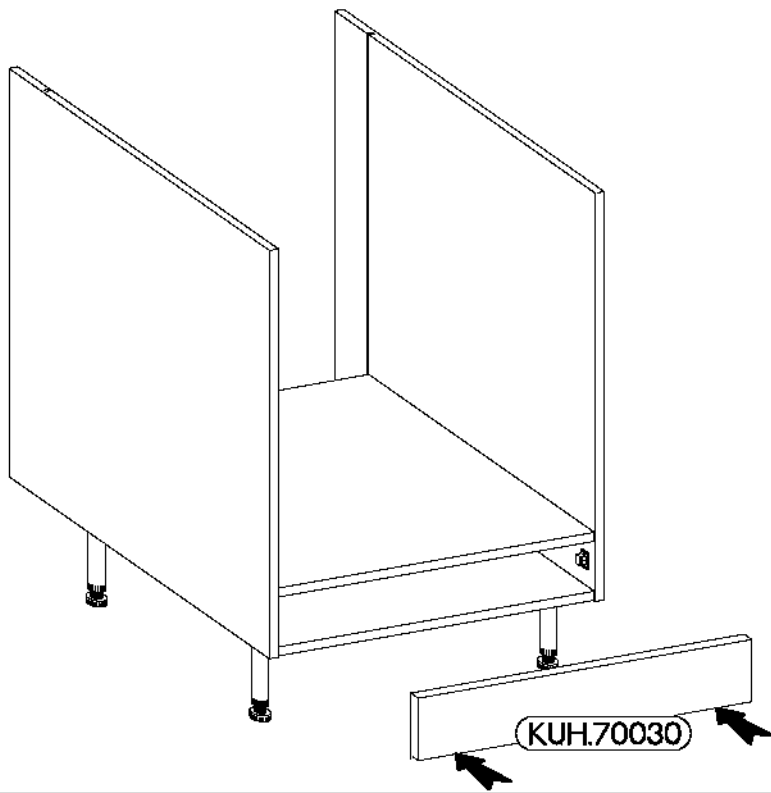


KUH.60007



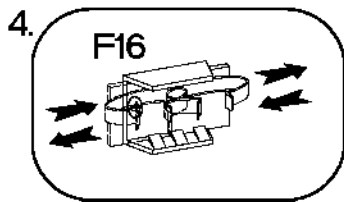
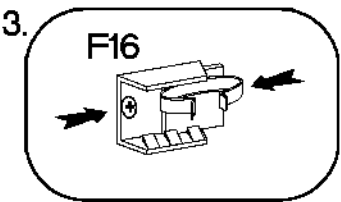
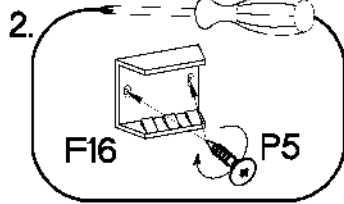
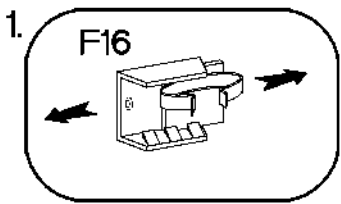
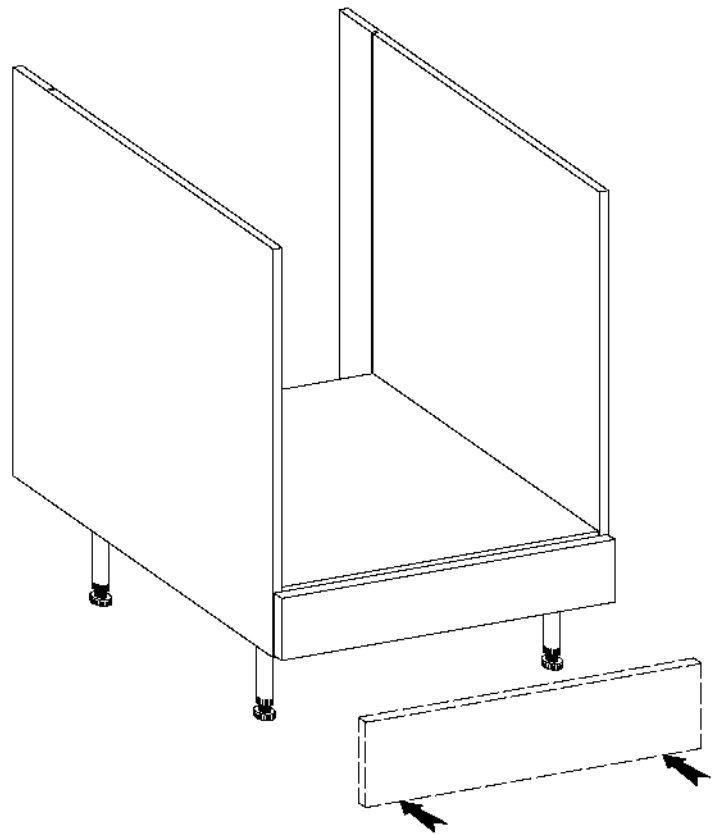
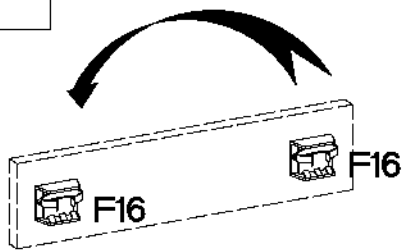
A=B

6

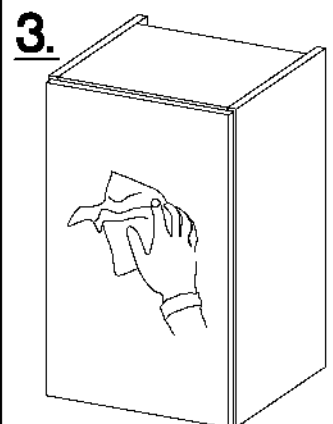
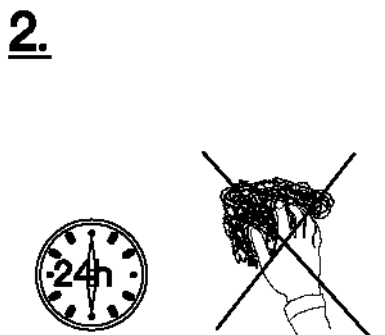
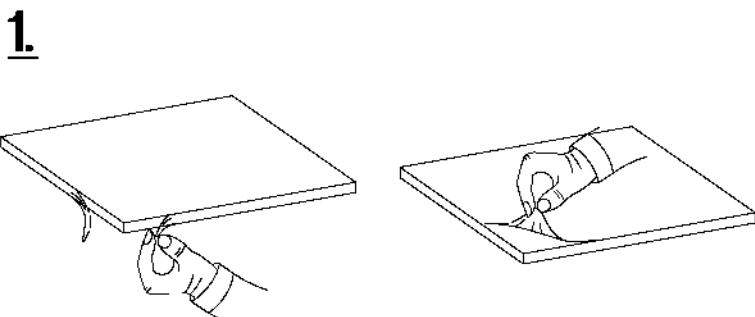


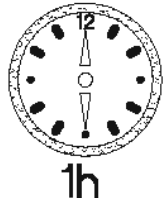
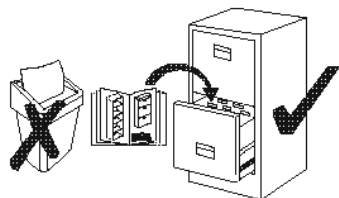
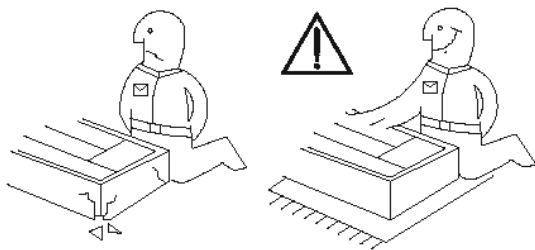
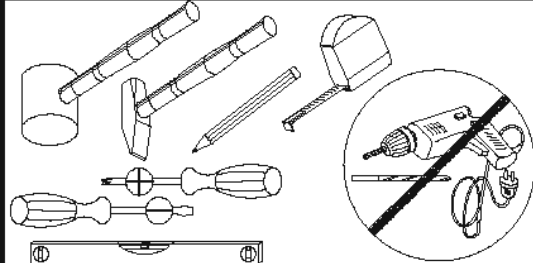
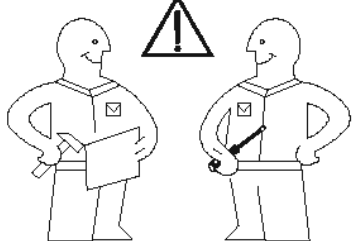
7

 P5 4	 F16 2
-------------	--------------



VARIANT HIGH GLOSS





SAFADO / MARLEEN

84-170-...

84-176-...

84-17C-...

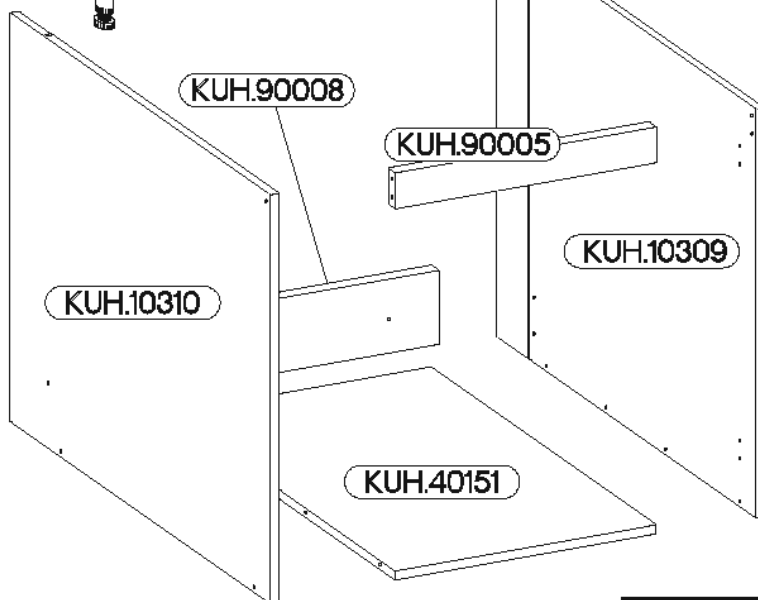
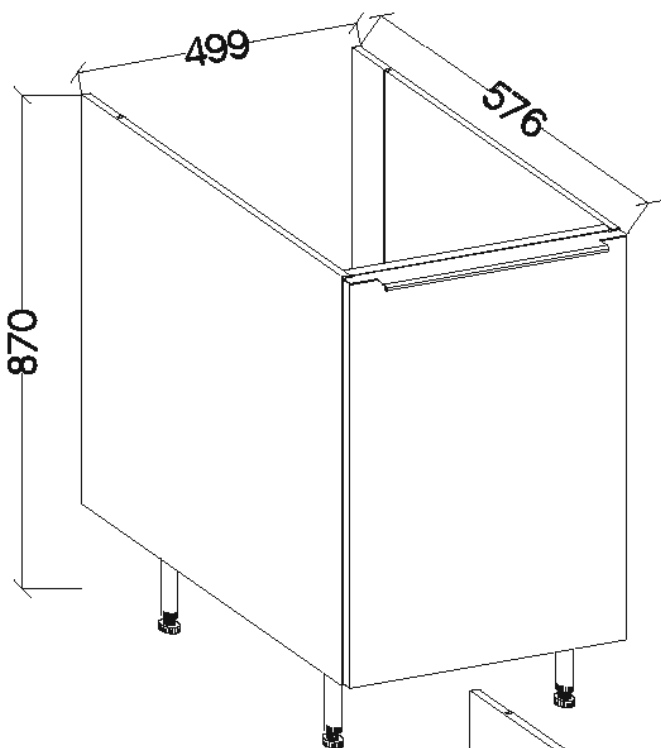
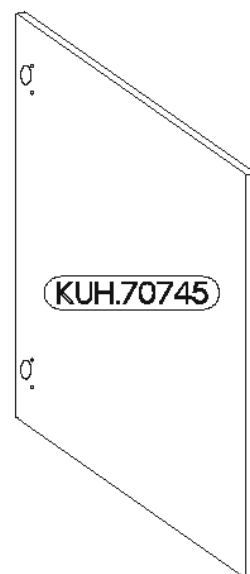


respekta®



KUH.40151

max.
10kg



±8x30mm A	6,4 x 50mm B	 E1	 L37	 L38
8	8	8	2	2
 F15	 F16	±35/0mm HG	 O	±3.5x13mm P5
4	2	2	1	32
				±3.0x16mm P11
				L=495mm SL50
				 T10
				2

Colli	Spare Part	Dimension
Colli 3/6	KUH.10309	720x560x16
	KUH.10310	720x560x16
	KUH.40151	467x485x16
	KUH.70745	711x496x16
	KUH.90005	467x63x16
	KUH.90008	467x130x16

ISM-KUH-01603

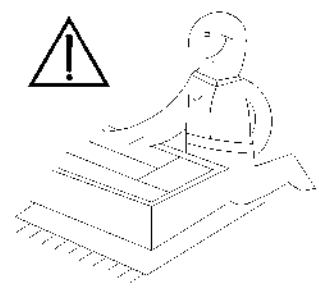
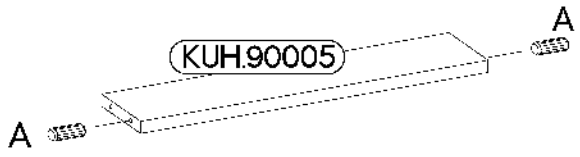
+8x30mm



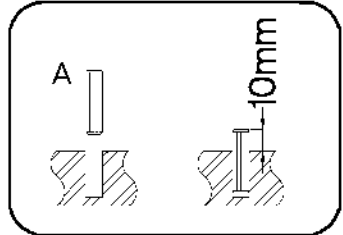
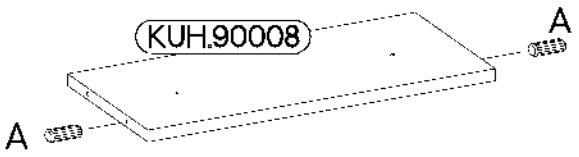
A

4

KUH.90005



KUH.90008



2

+8x30mm +3.5x13mm



4



P5

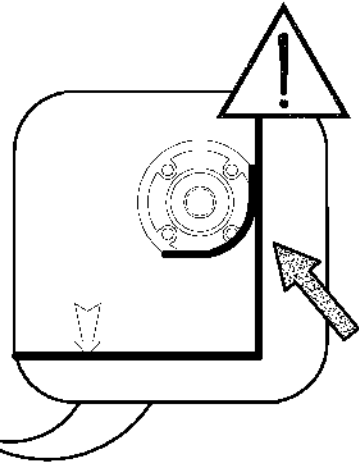
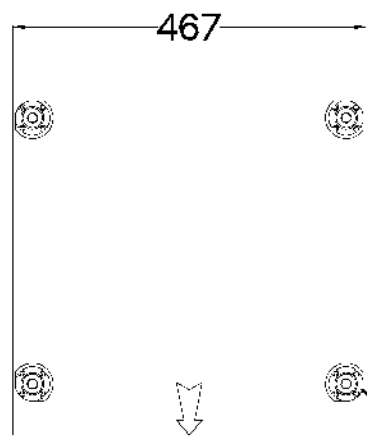
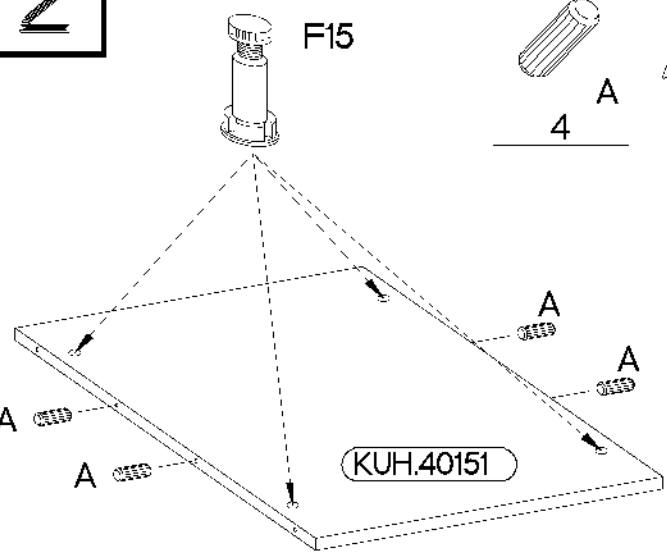
16



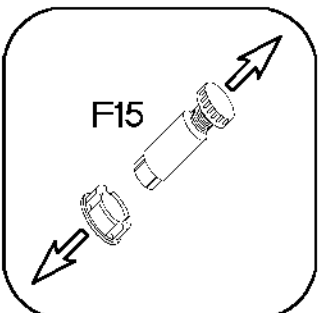
F15

4

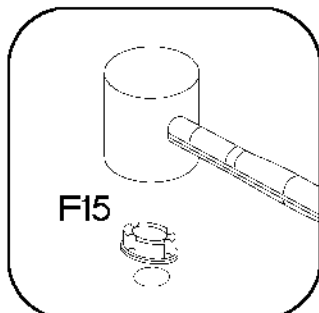
F15



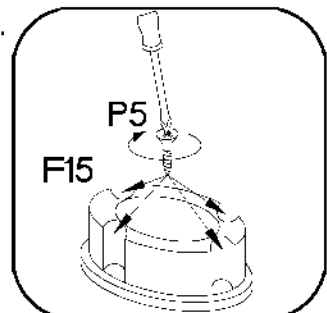
1.



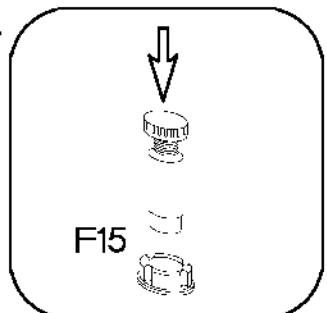
2.



3.



4.



3

+35/0mm +3.5x13mm



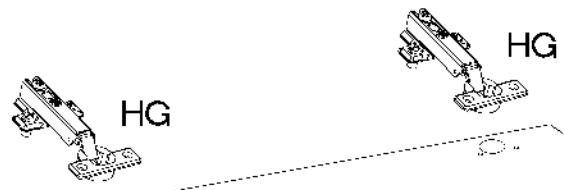
HG

2

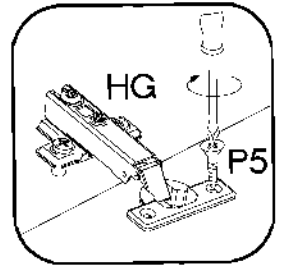


P5

4



KUH.70745



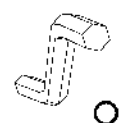
4

6,4 x 50mm



B

4



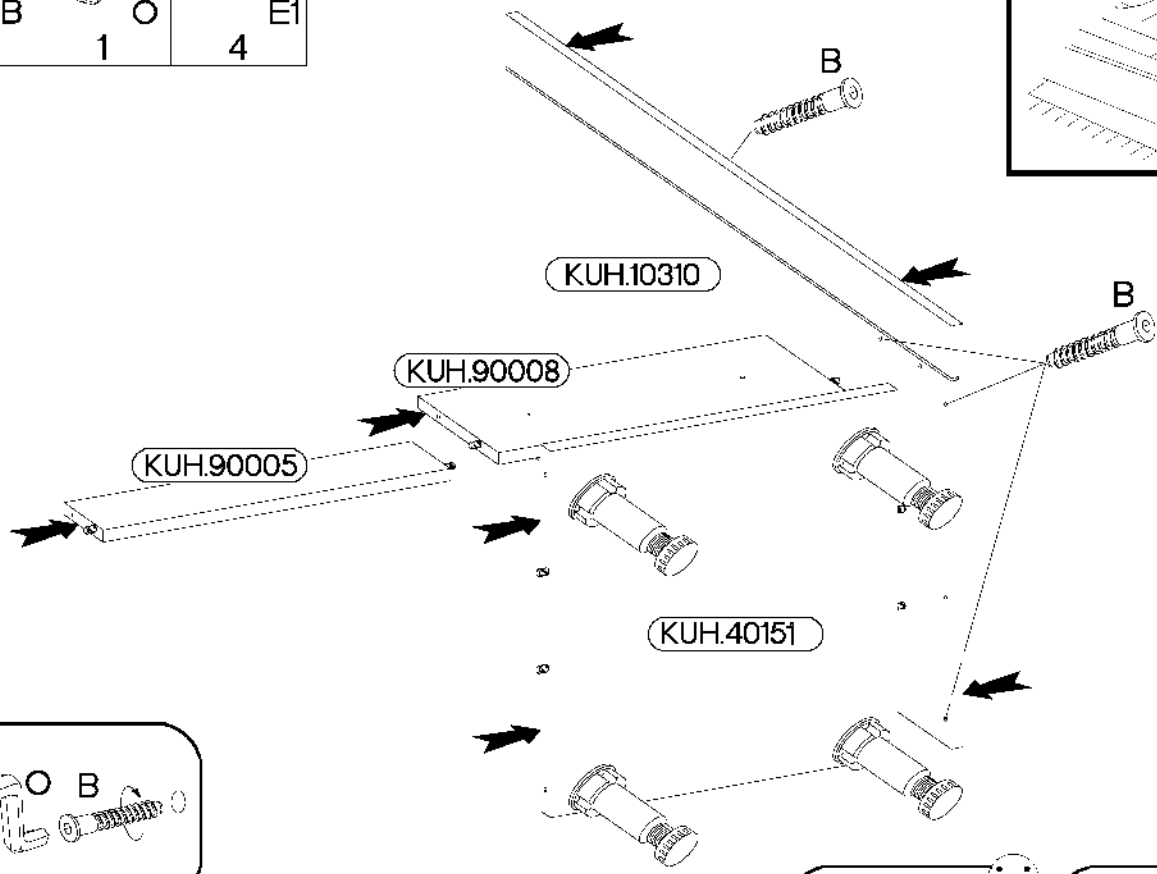
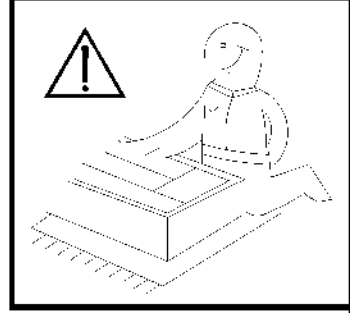
O

1

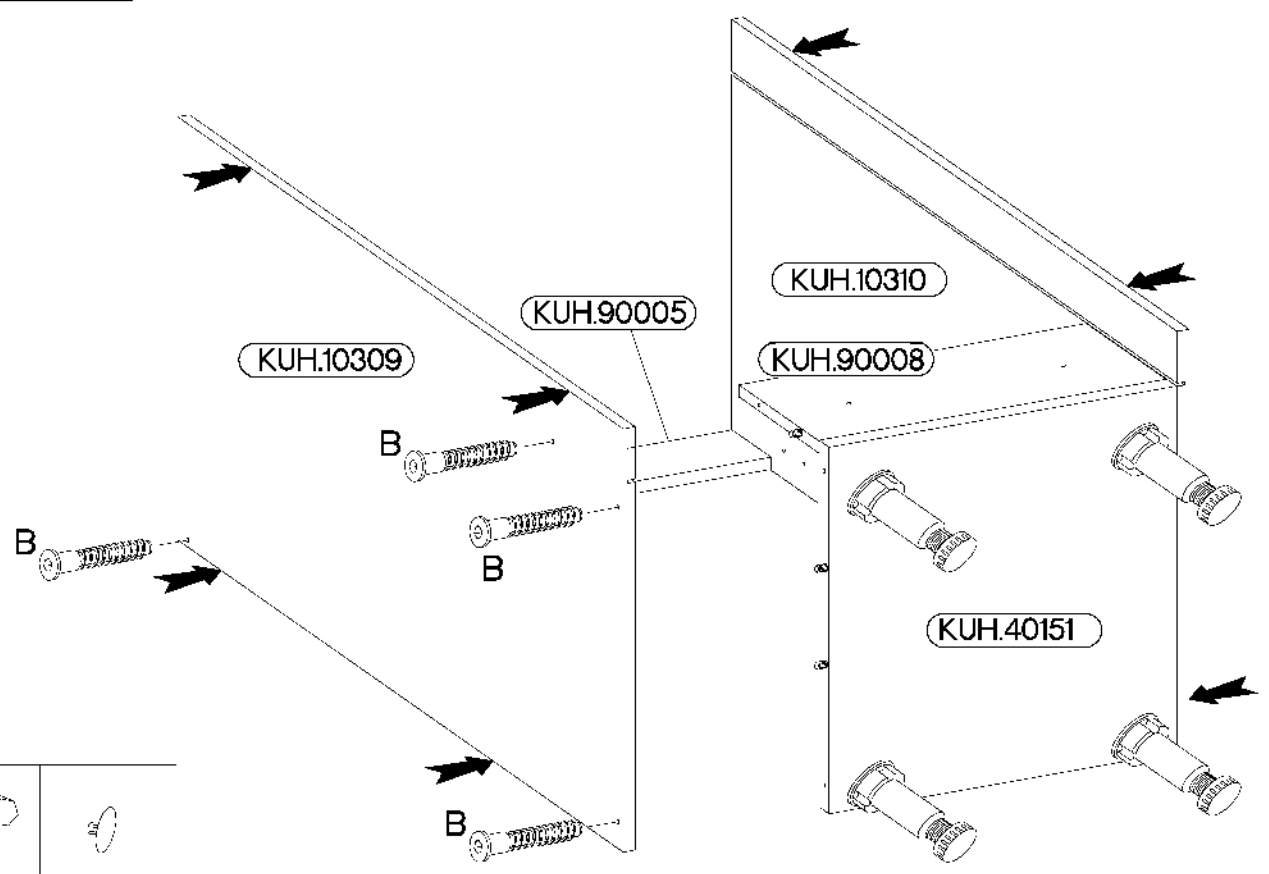
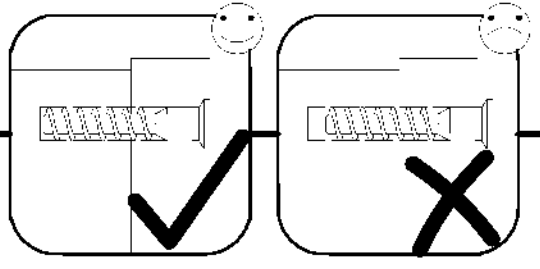
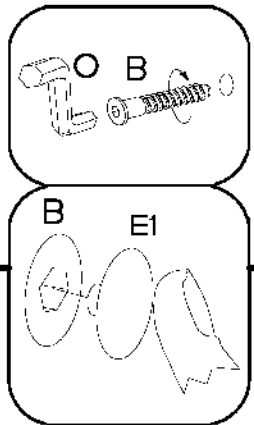


E1

4



5

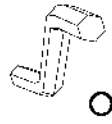


6,4 x 50mm



B

4



O

1



E1

4

6

+3.5x13mm



P5

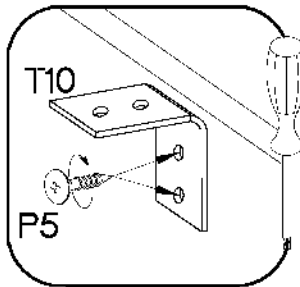
8



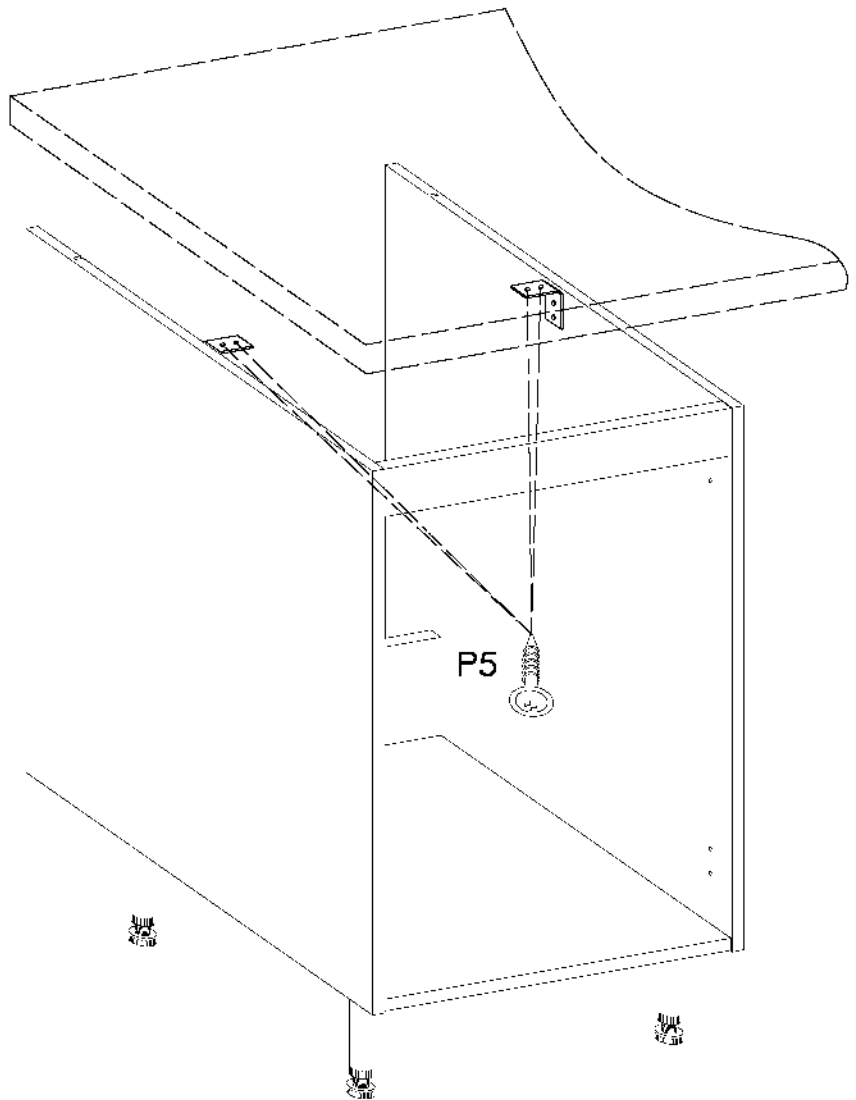
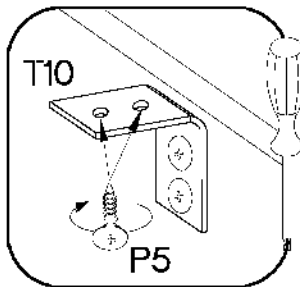
T10

2

1.



2.

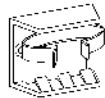
**7**

+3.5x13mm



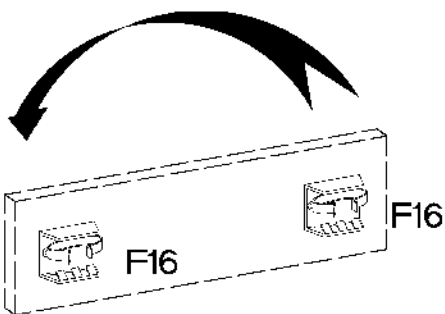
P5

4

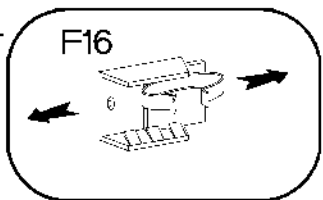


F16

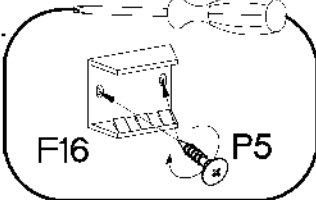
2



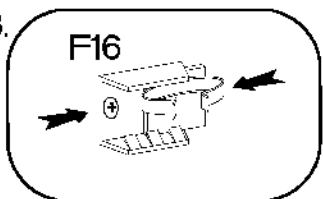
1.



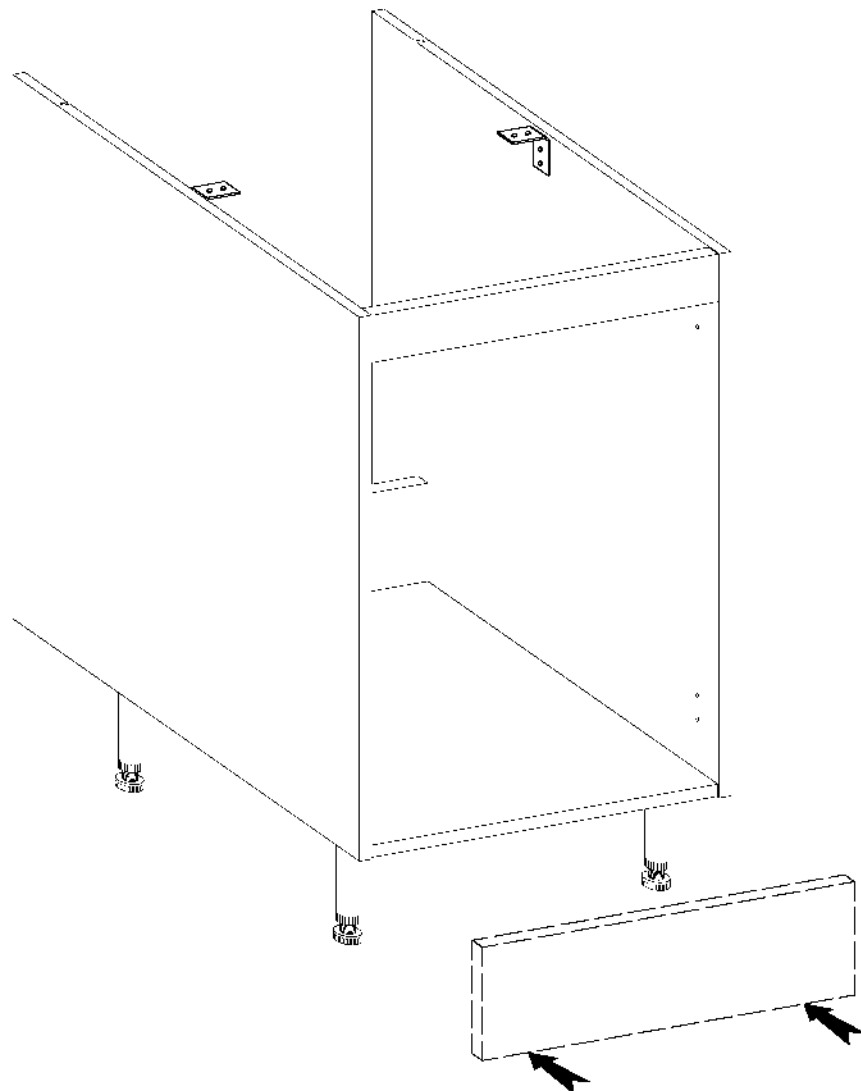
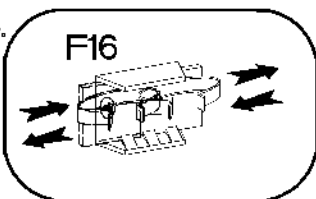
2.





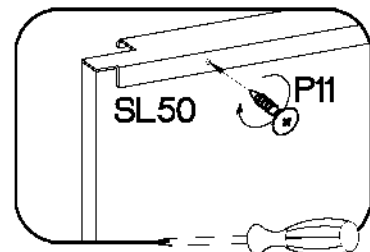
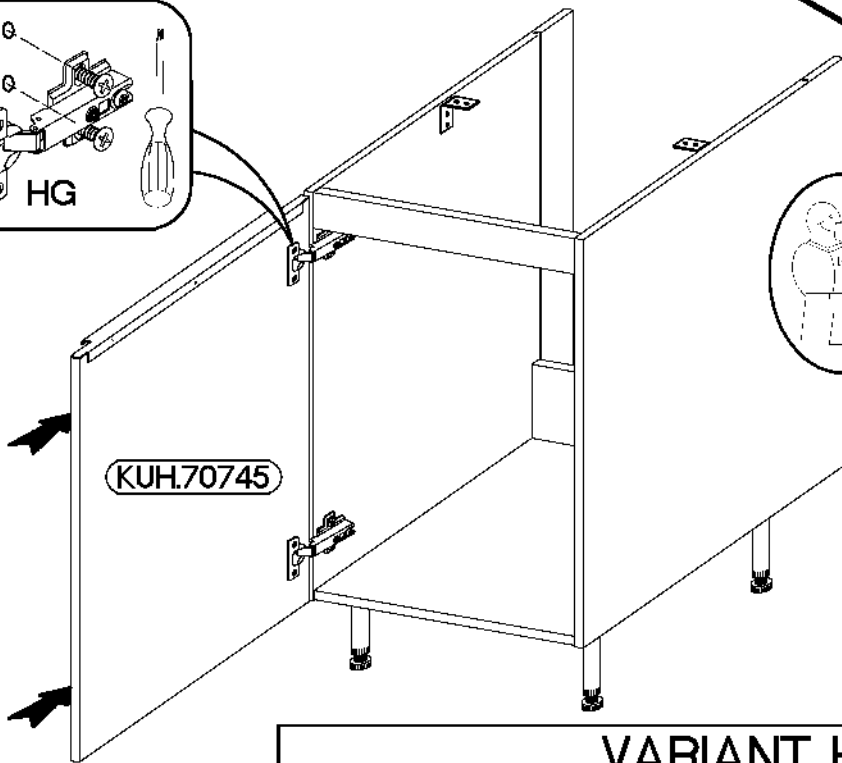
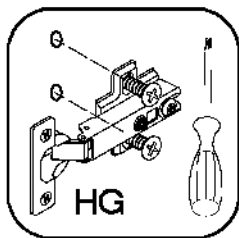
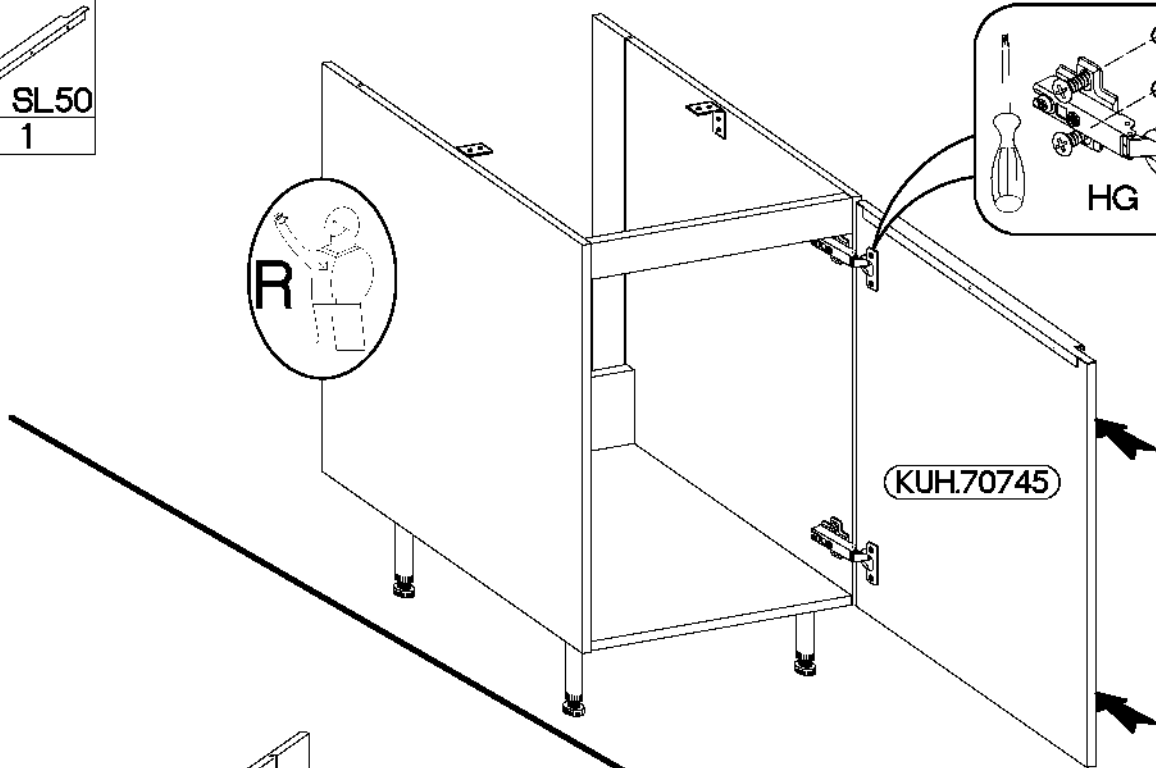
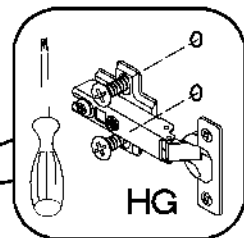
3.



4.

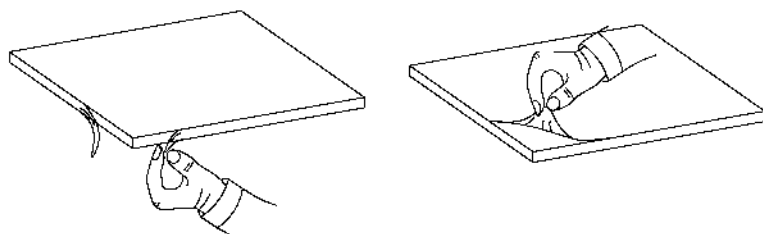


∅3.0x16mm	L=495mm
	
P11	SL50
3	1



VARIANT HIGH GLOSS

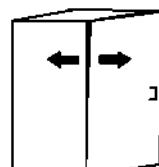
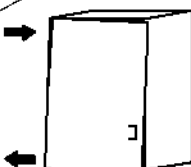
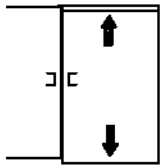
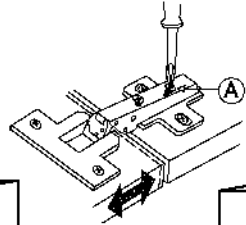
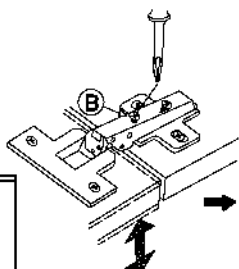
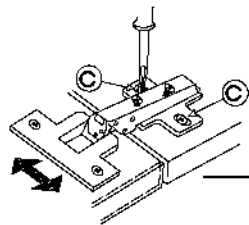
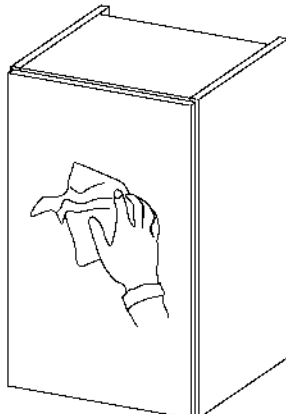
1.

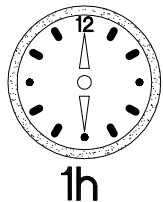
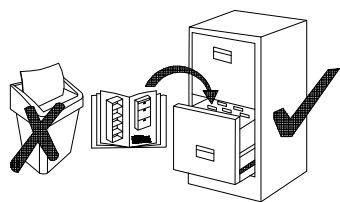
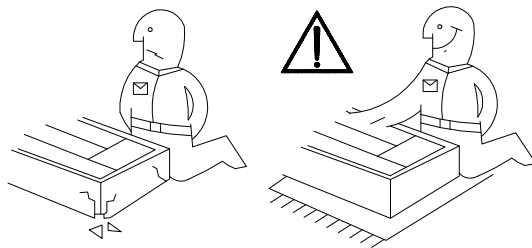
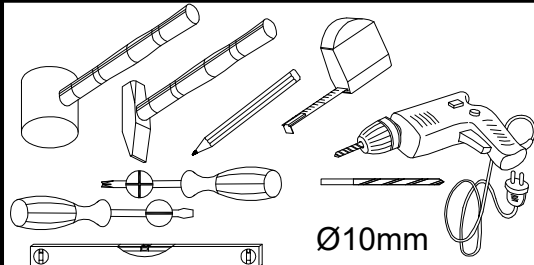
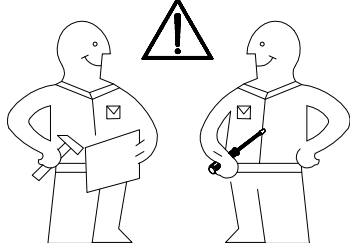


2.



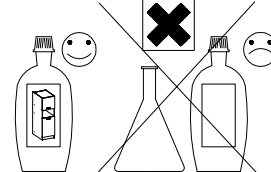
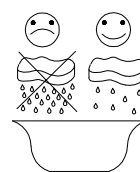
3.



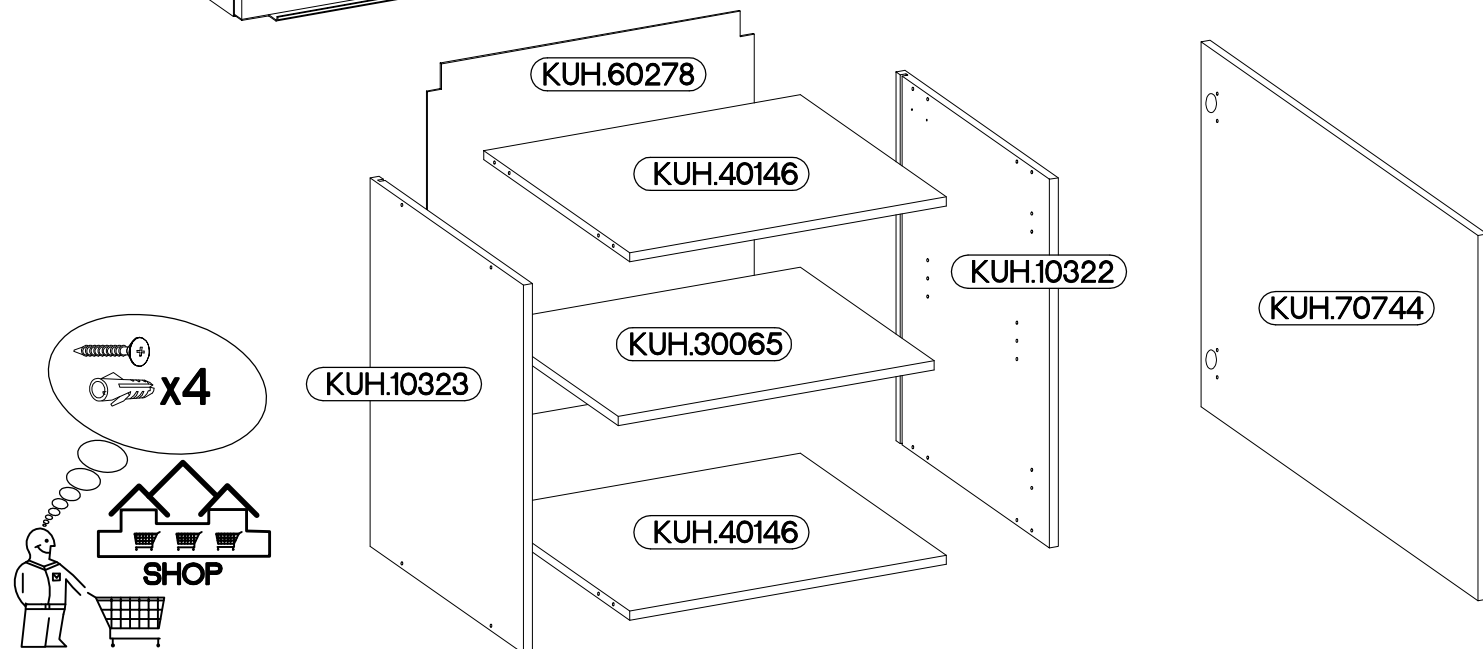
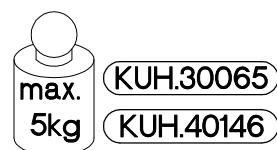
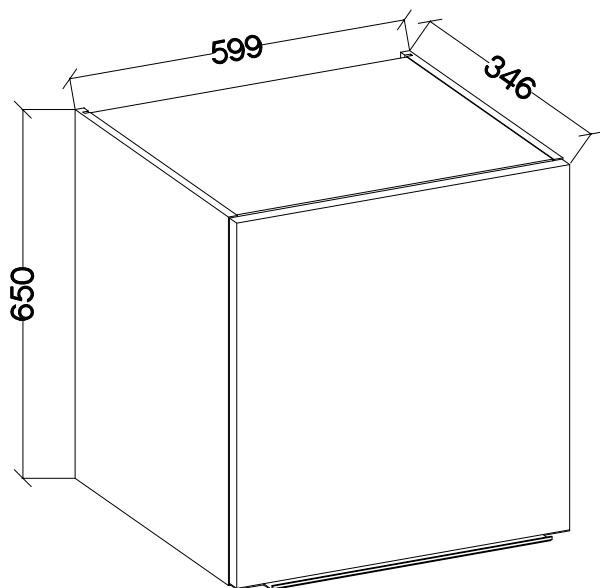


SAFADO / MARLEEN

84-170-...
84-176-...
84-17E-...



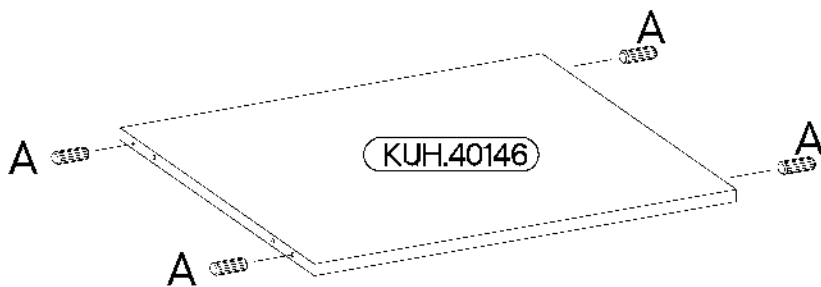
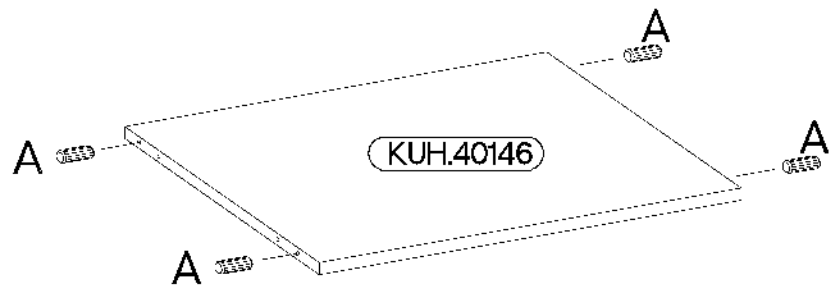
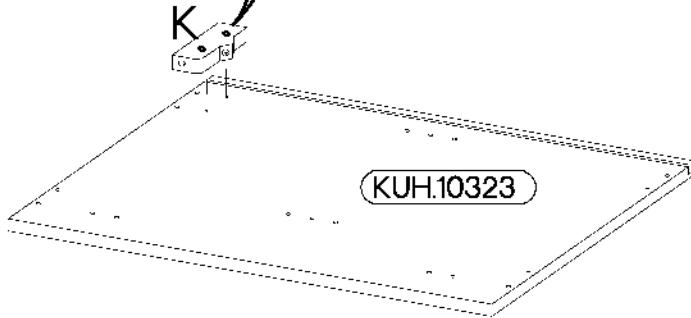
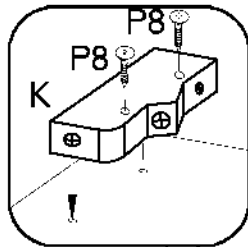
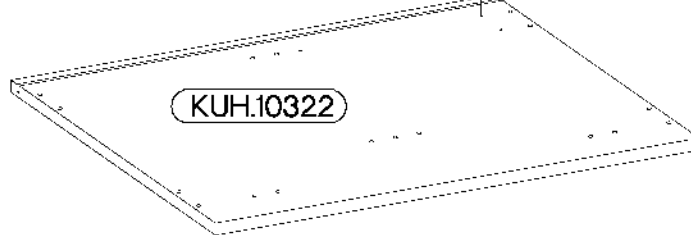
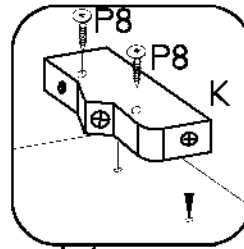
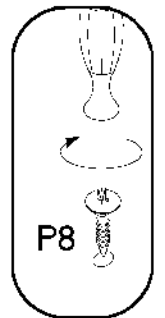
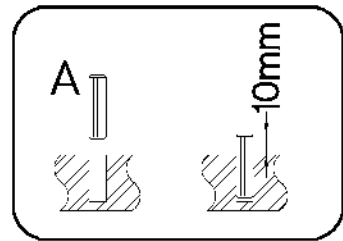
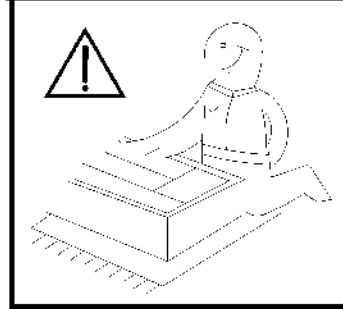
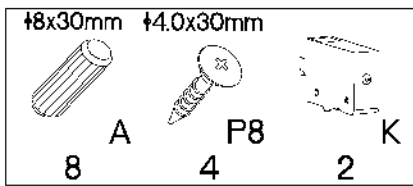
respekta®



 A 8	 B 8	 E1 8	 HG 2	 J3 4	 K 2	 K16 2
 O 1	 P5 4	 P7 10-15	 P8 4	 P11 4	 R 2	 SL60 1

Colli	Spare Part	Dimension
Colli 5/6	KUH.10322	650x330x16
	KUH.10323	650x330x16
	KUH.30065	566x288x16
	KUH.40146 x2	567x314x16
	KUH.60278	646x585x2,5
	KUH.70744	644x596x16

ISM-KUH-01604



2

6,4 x 50mm



4

B



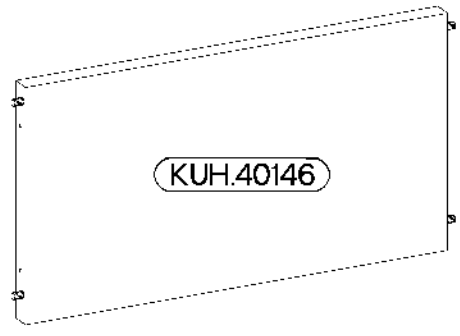
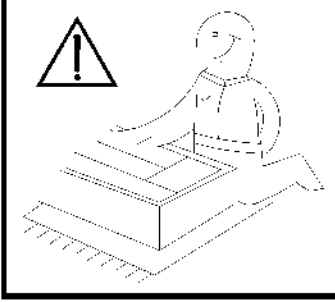
1

O

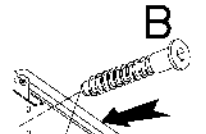


4

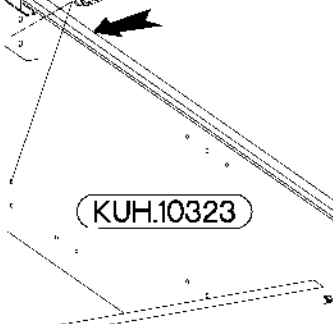
E1



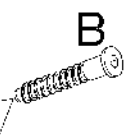
KUH.40146



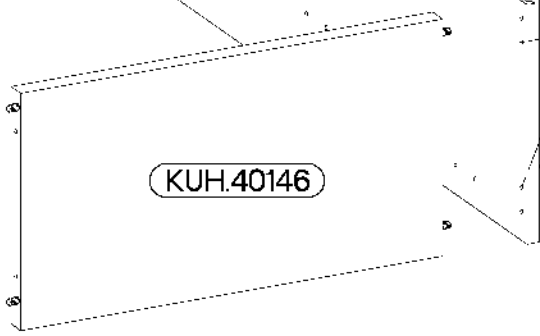
B



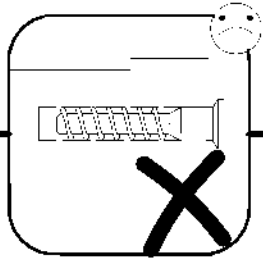
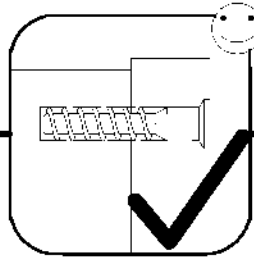
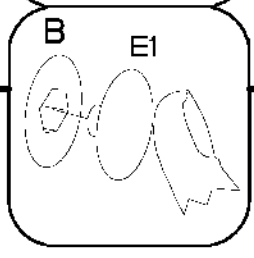
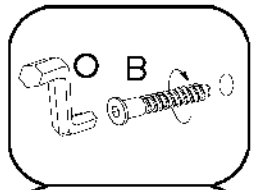
KUH.10323



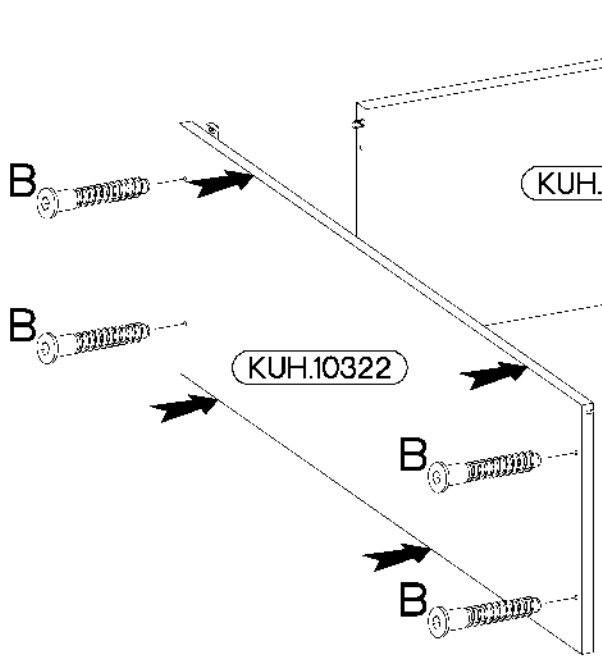
B



KUH.40146



3



KUH.40146

KUH.10322

KUH.10323

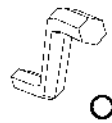
KUH.40146

6,4 x 50mm



4

B



1

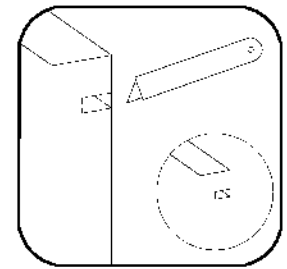
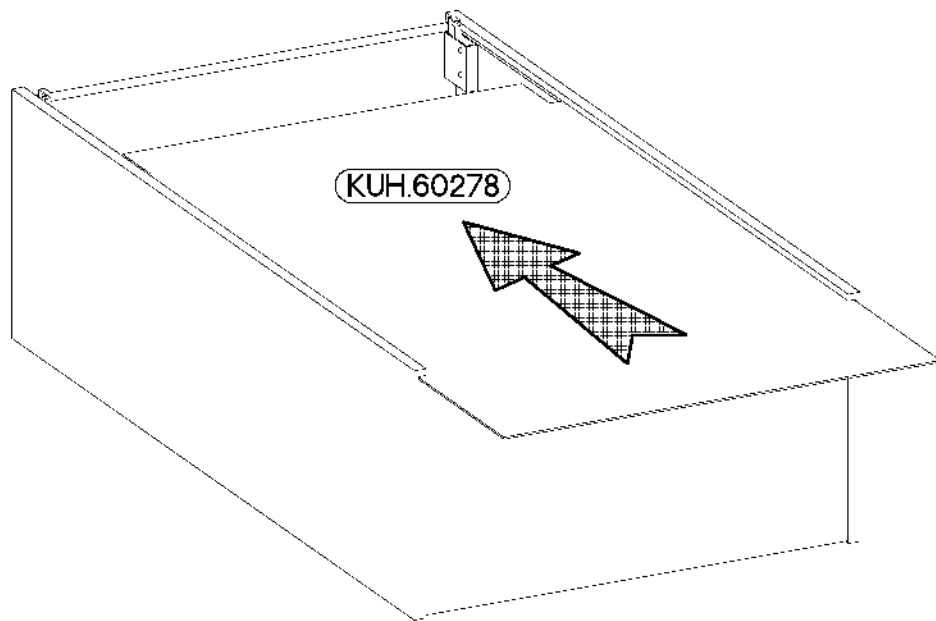
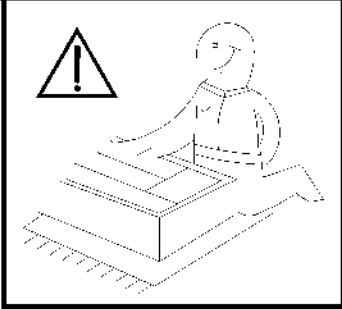
O



4

E1

4



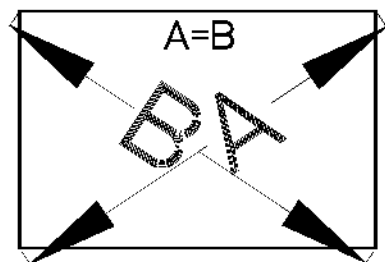
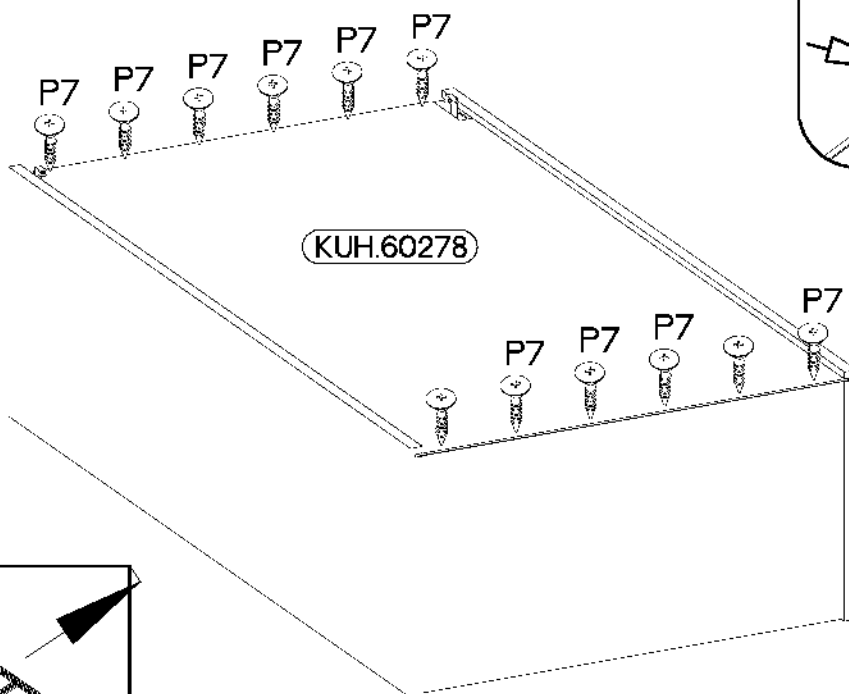
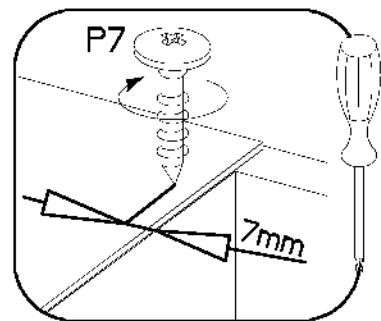
5

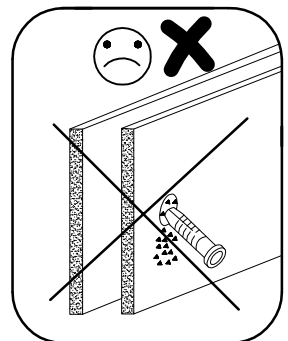
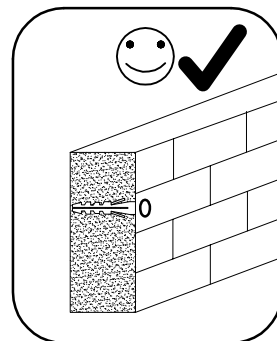
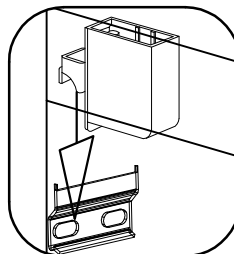
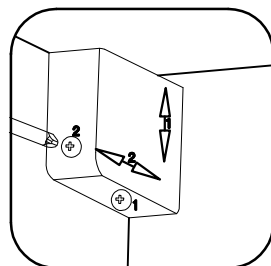
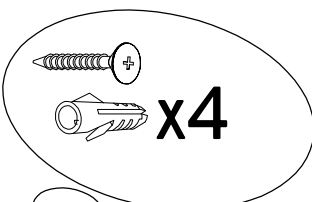
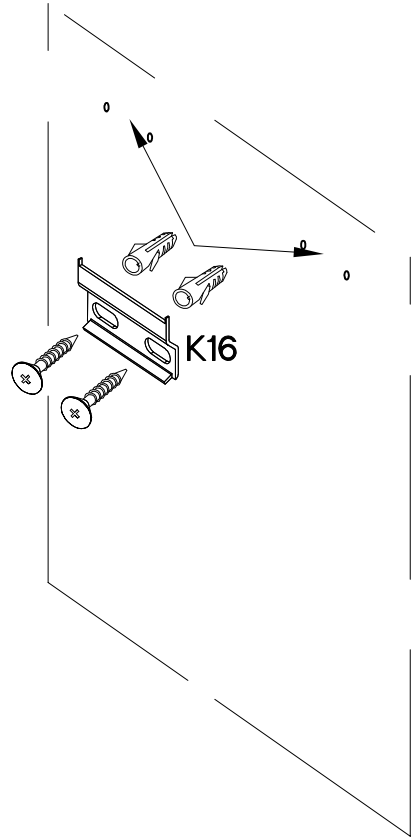
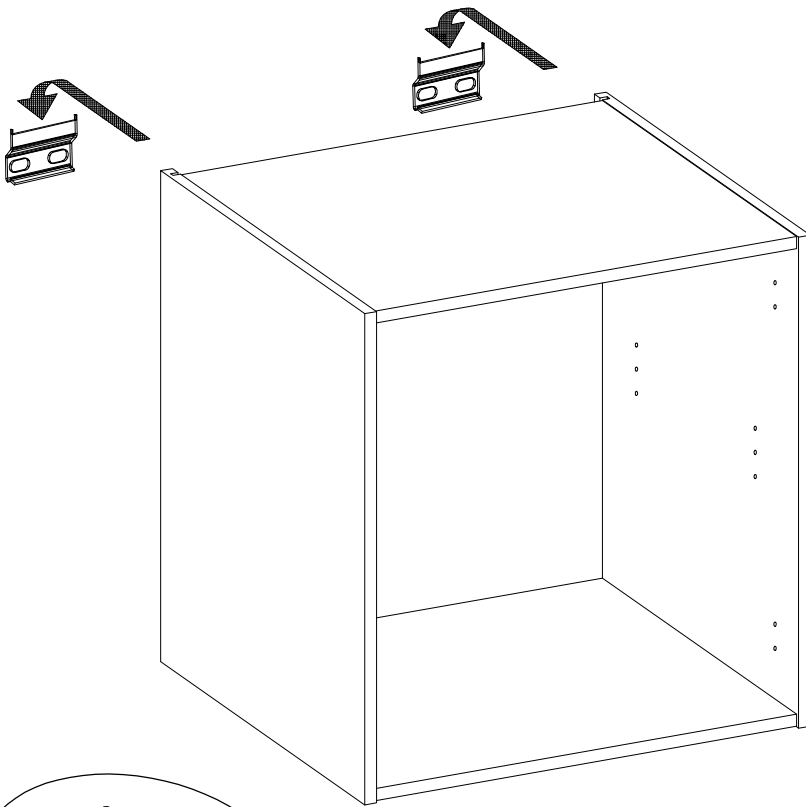
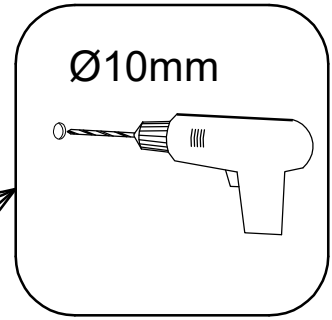
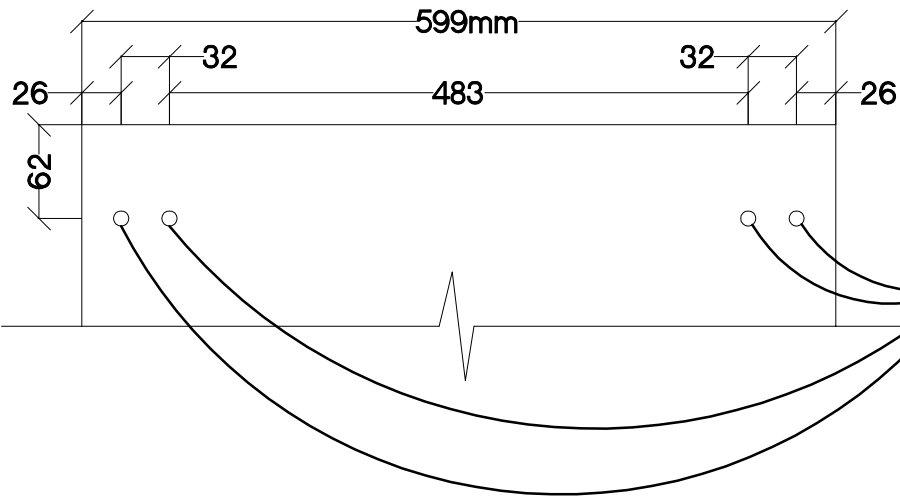
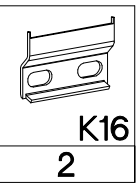
±3.0x20mm



P7

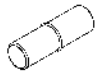
10-15





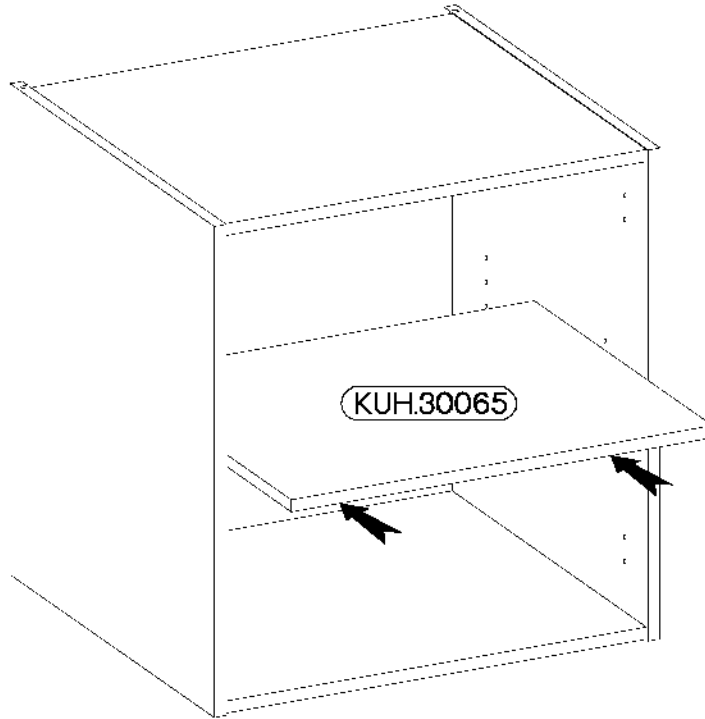
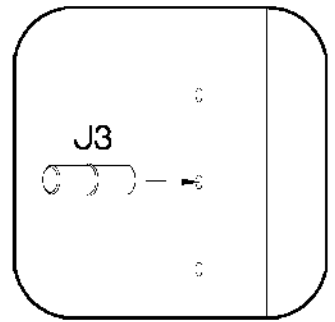


±5/16mm



J3

4



8

±35/0mm

±3.5x13mm



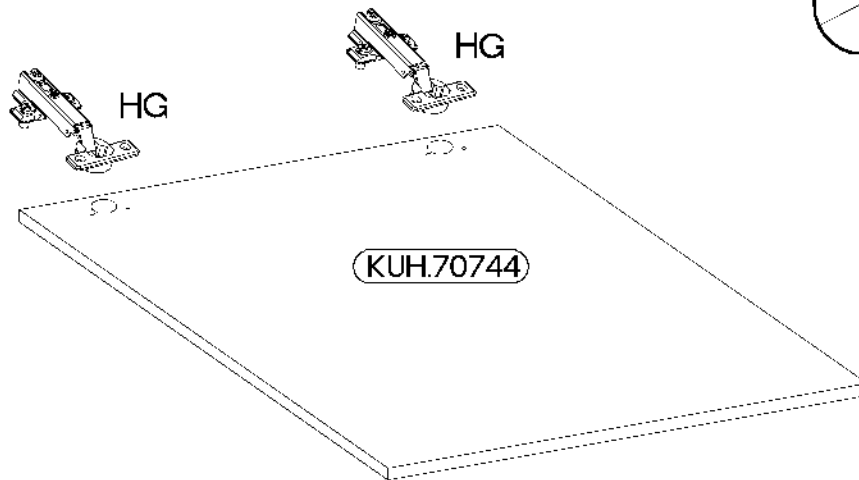
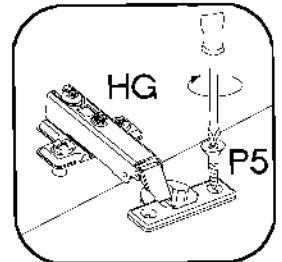
HG

2


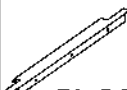


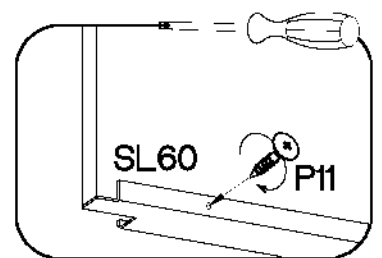
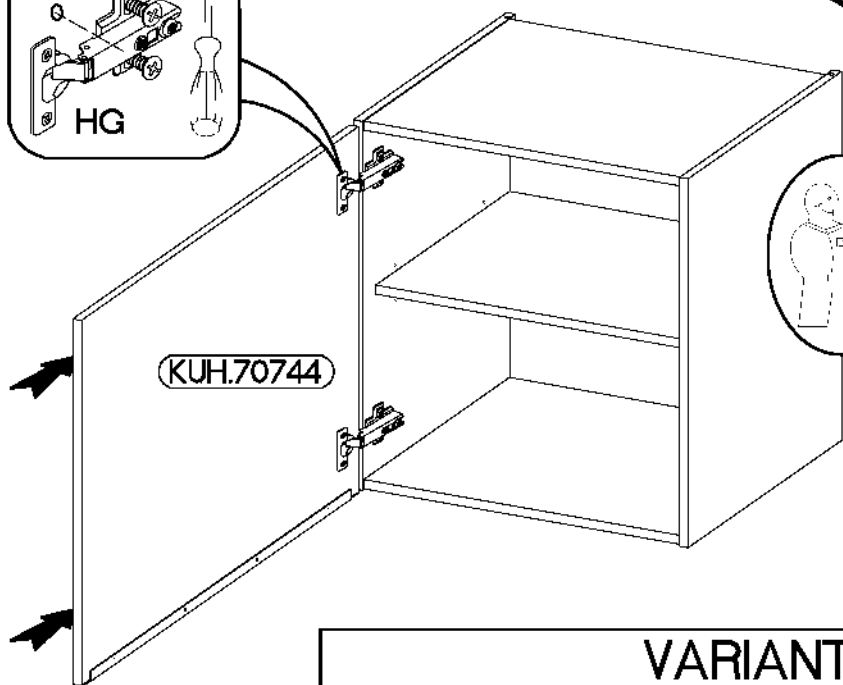
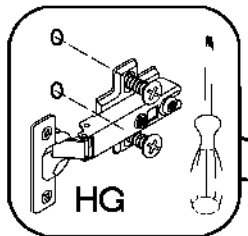
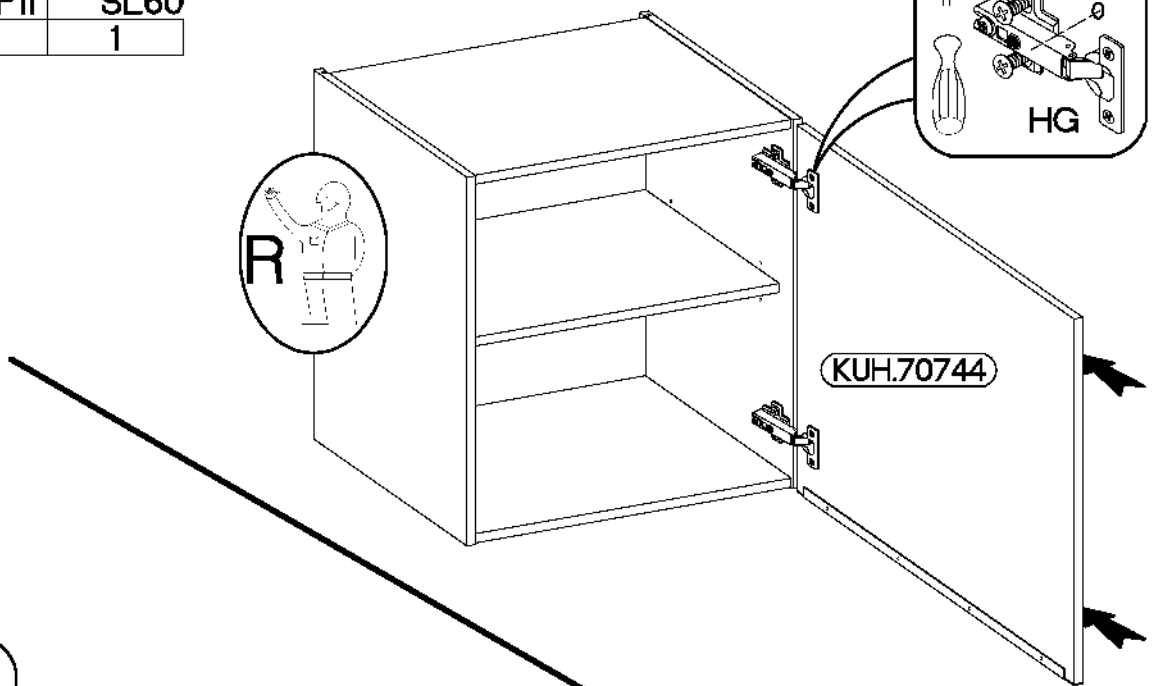
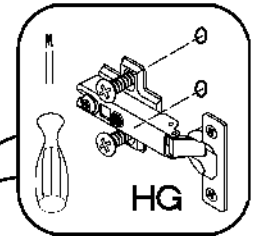
P5

4

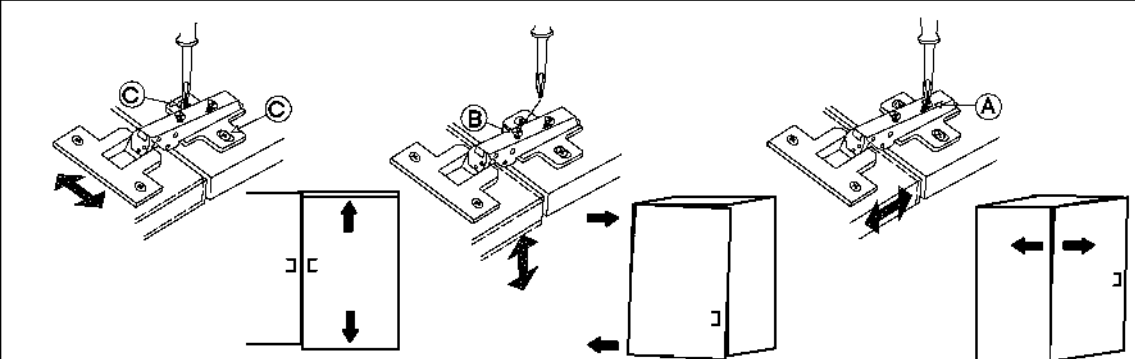
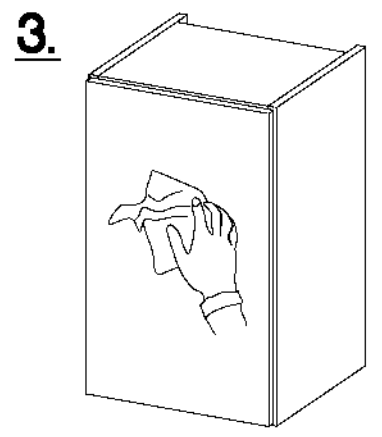
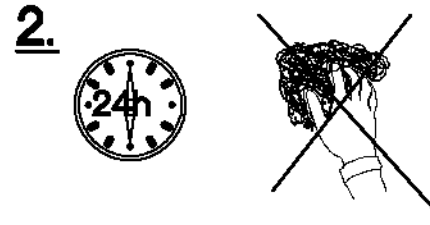
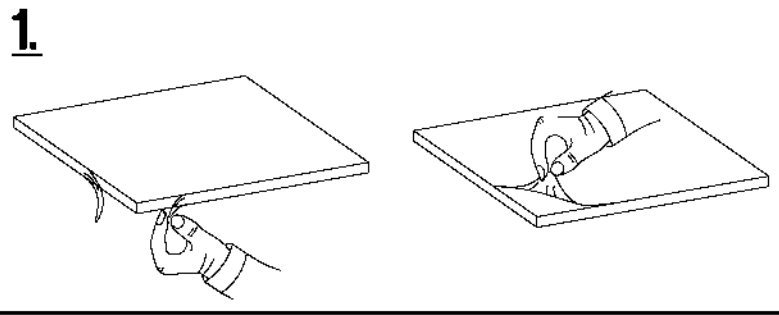


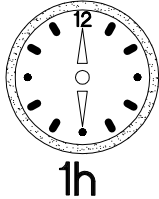
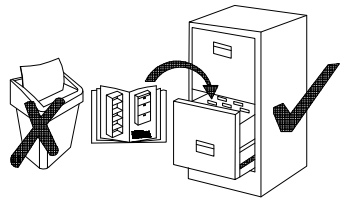
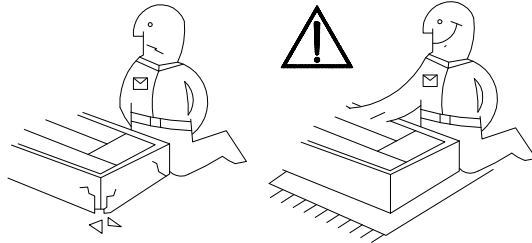
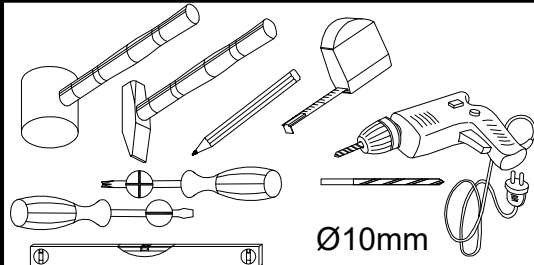
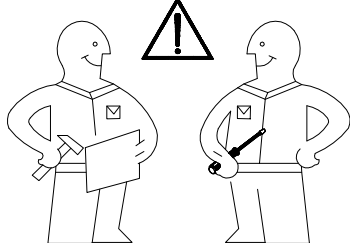
9

3.0x16mm	L=595mm
	
P11	SL60
4	1



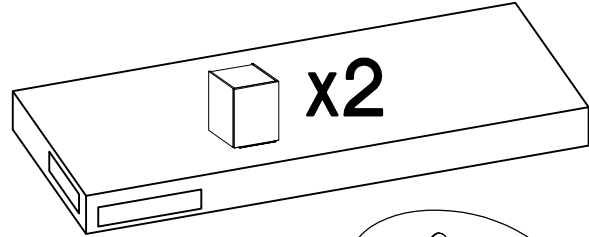
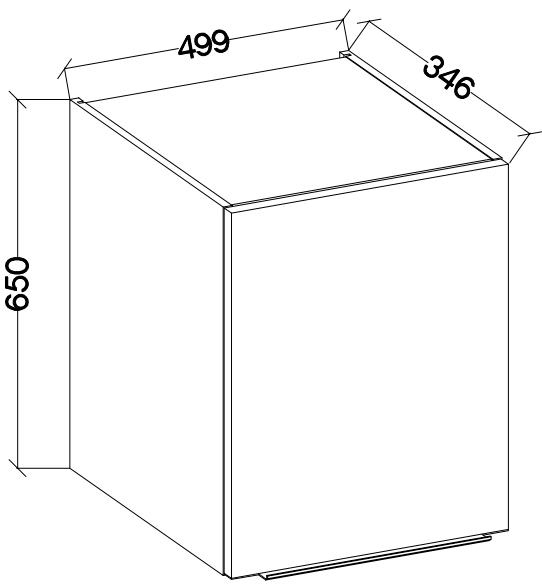
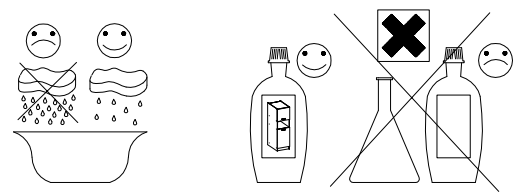
VARIANT HIGH GLOSS



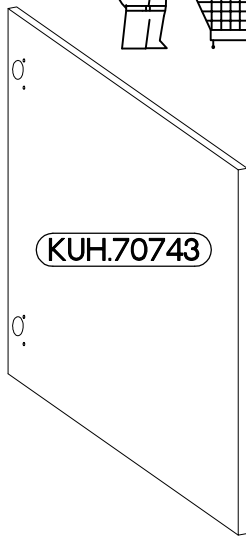
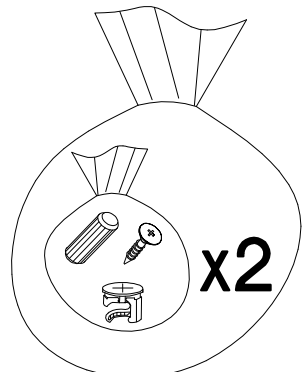
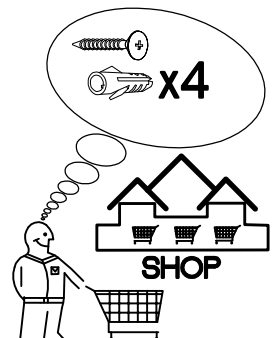
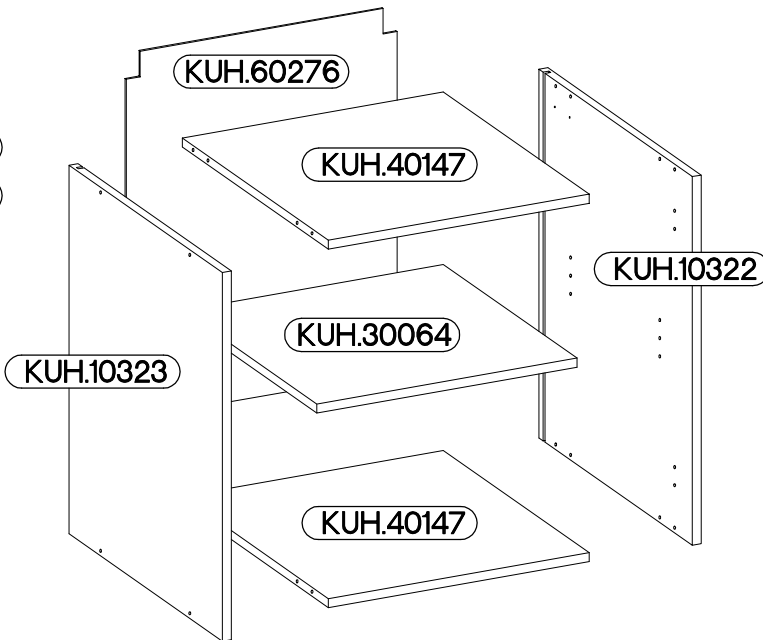


SAFADO / MARLEEN

84-170-...
84-176-...
84-17D-...



max. 5kg
KUH.30064
KUH.40147

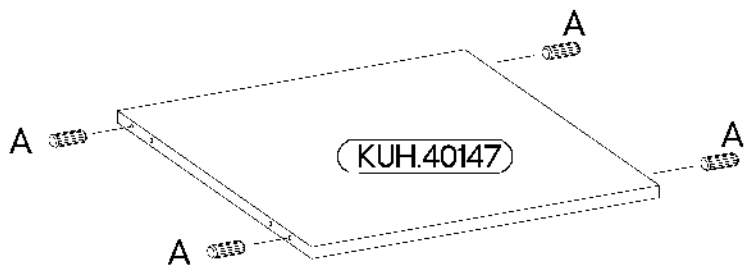
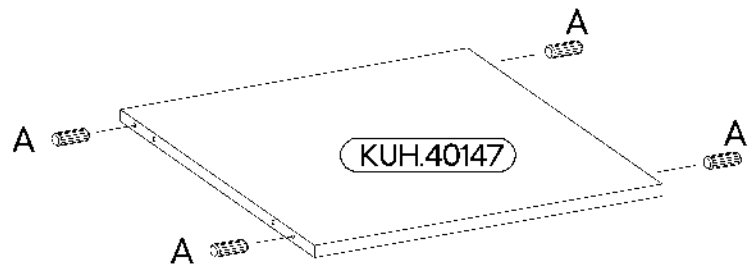
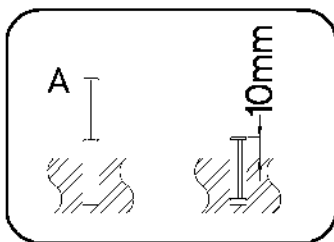
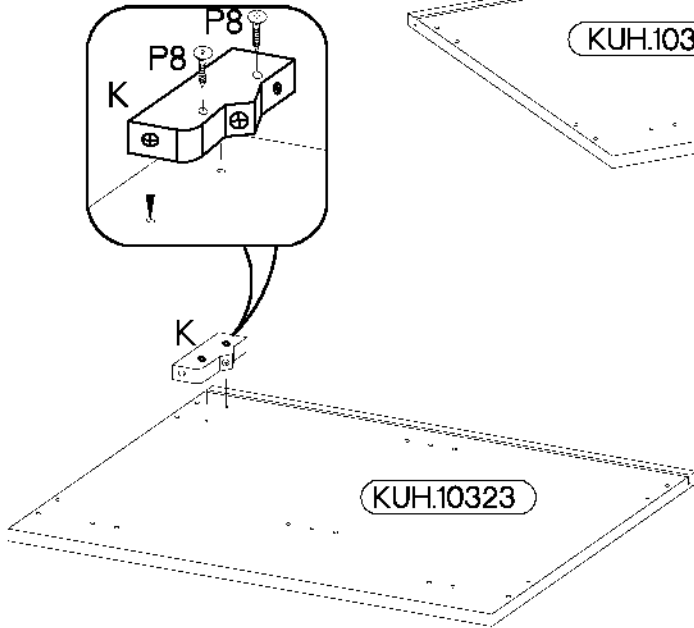
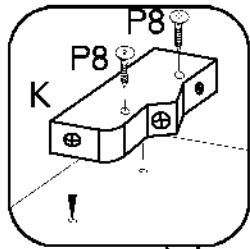
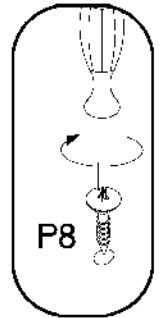
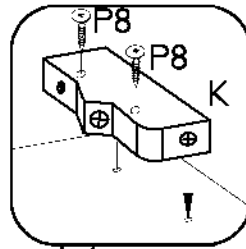
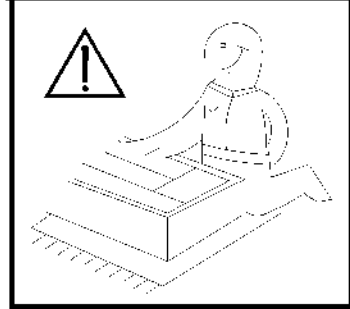
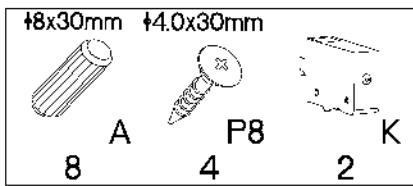


A	B	E1	HG	J3	K	
8	8	8	2	4	2	
K16	O	P5	P7	P8	P11	L=495mm
2	1	4	8-10	4	3	SL50
						1

Colli	Spare Part	Dimension
Colli 4/6	KUH.10322	650x330x16
	KUH.10323	650x330x16
	KUH.30064	466x288x16
	KUH.40147 x2	467x314x16
	KUH.60276	646x485x2,5
	KUH.70743	644x496x16

x2

ISM-KUH-01605



2

6,4 x 50mm



4

B



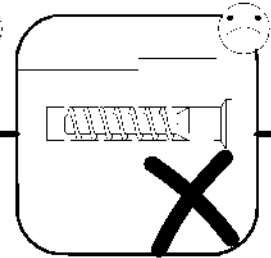
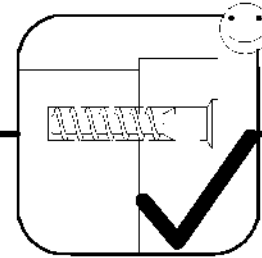
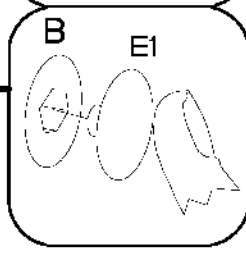
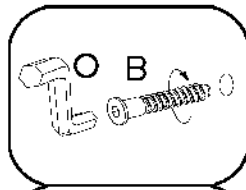
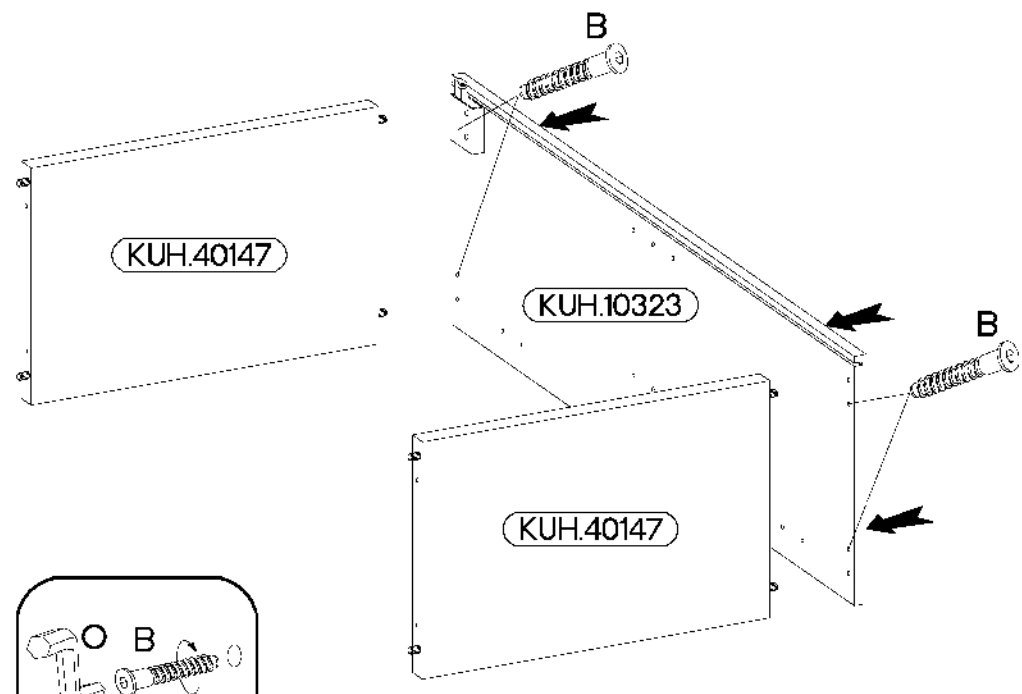
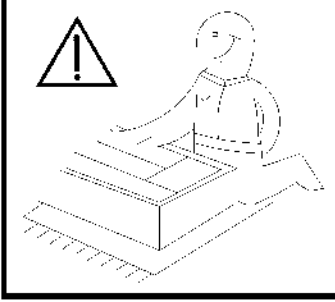
1

O

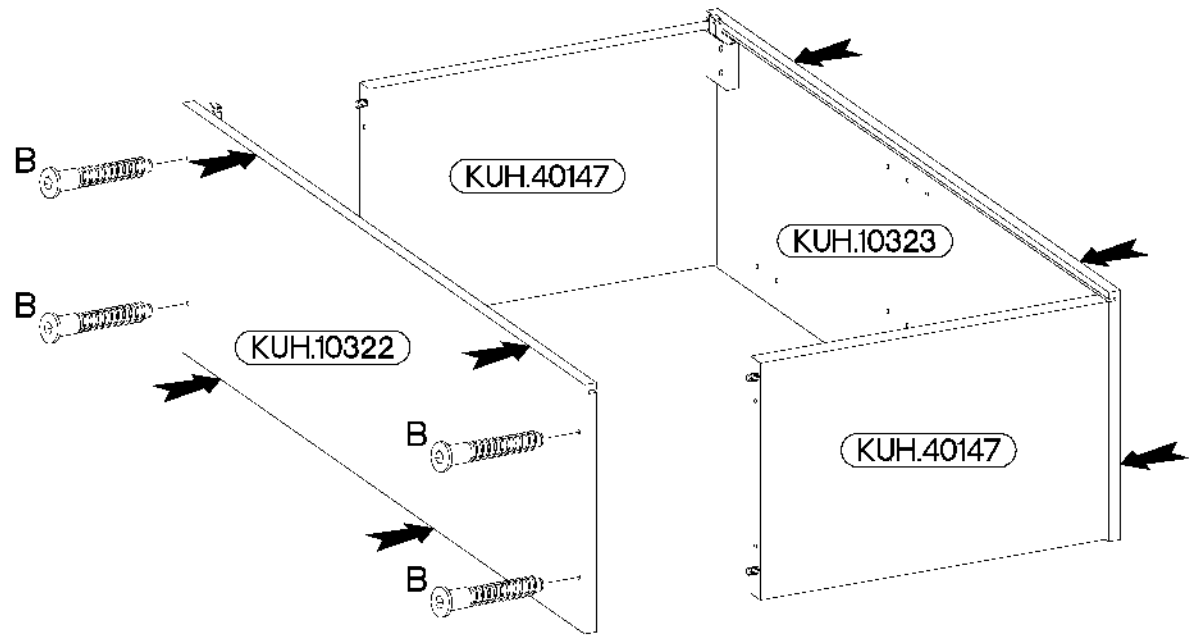


4

E1



3

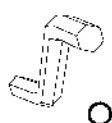


6,4 x 50mm



4

B



1

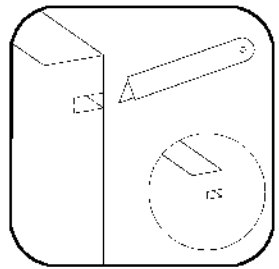
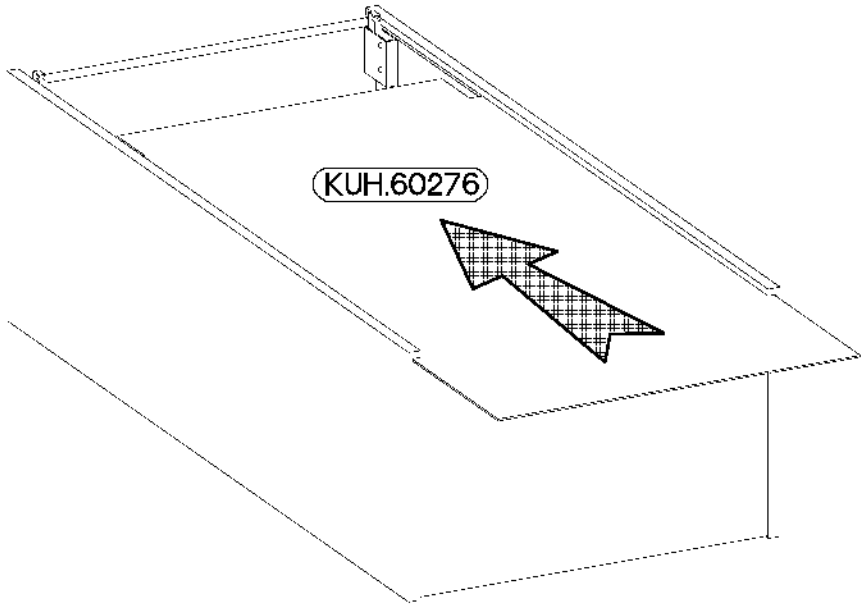
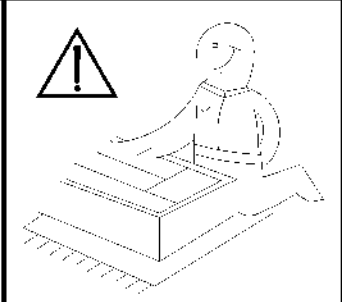
O



4

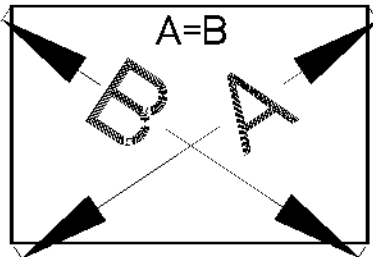
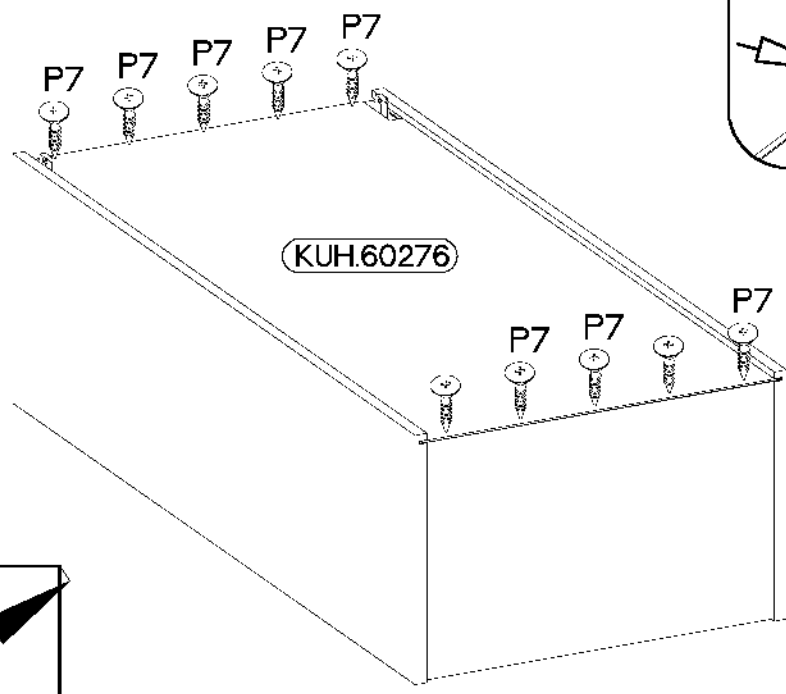
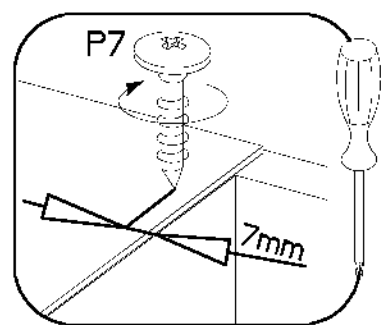
E1

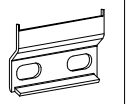
4



5

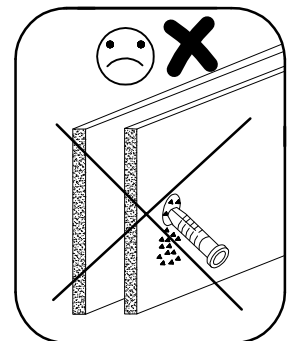
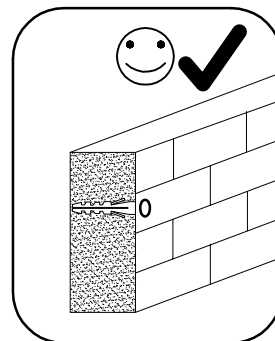
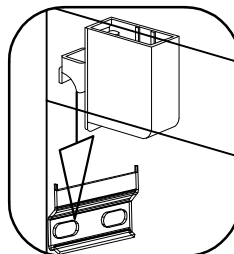
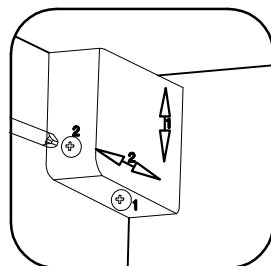
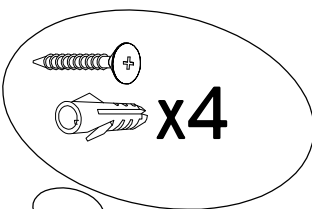
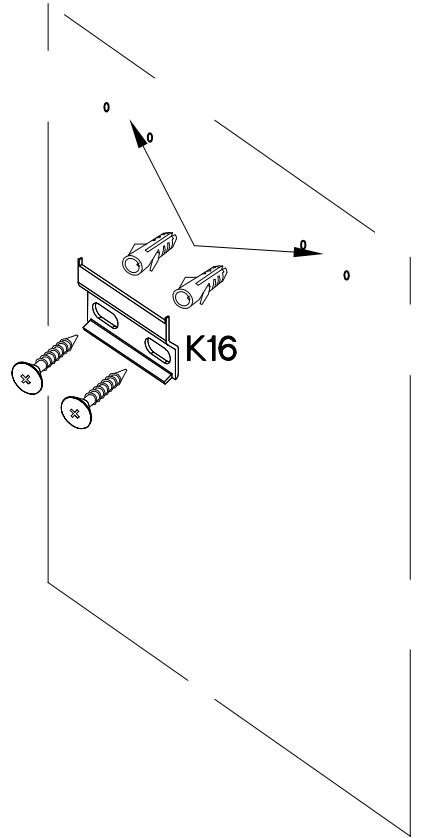
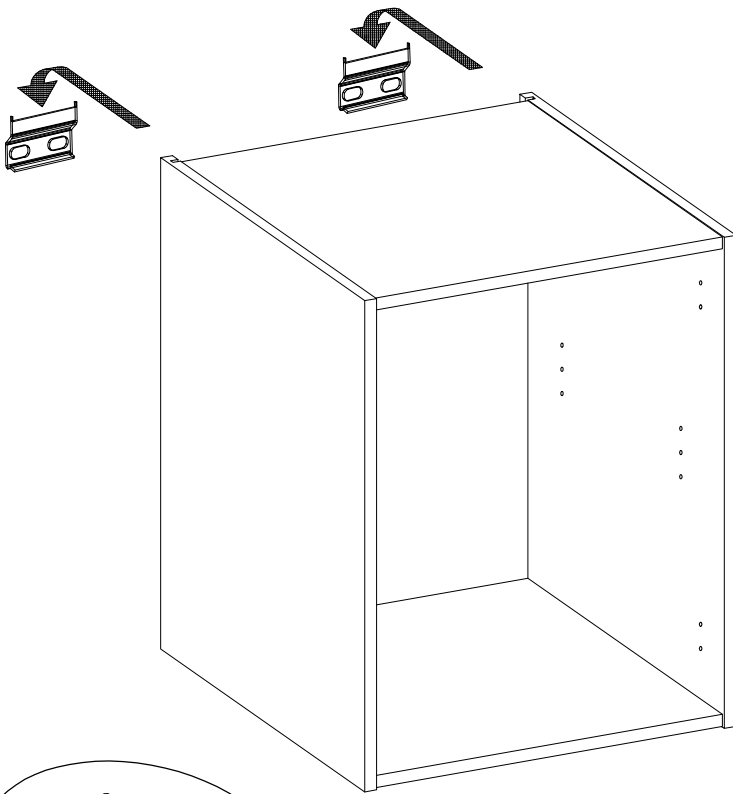
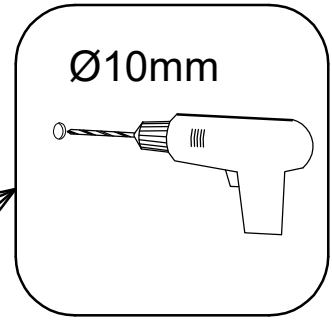
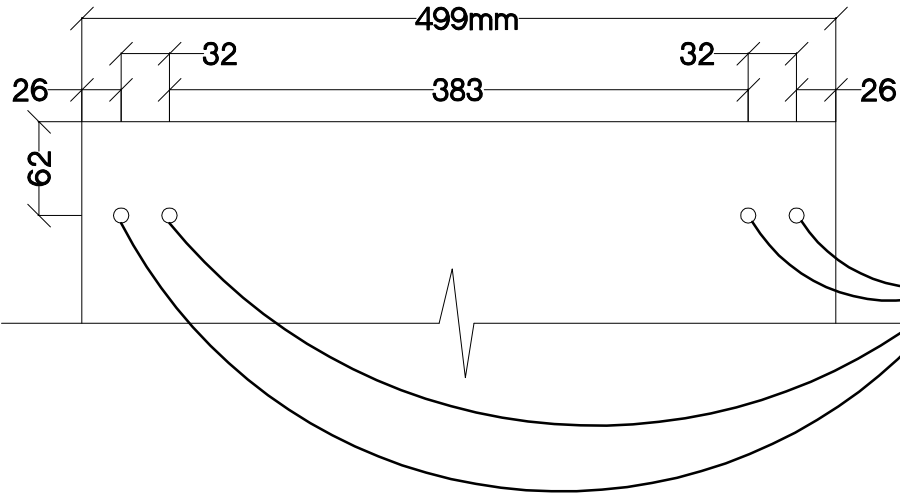
±3.0x20mm
P7
8-10





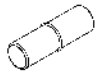
K16

2



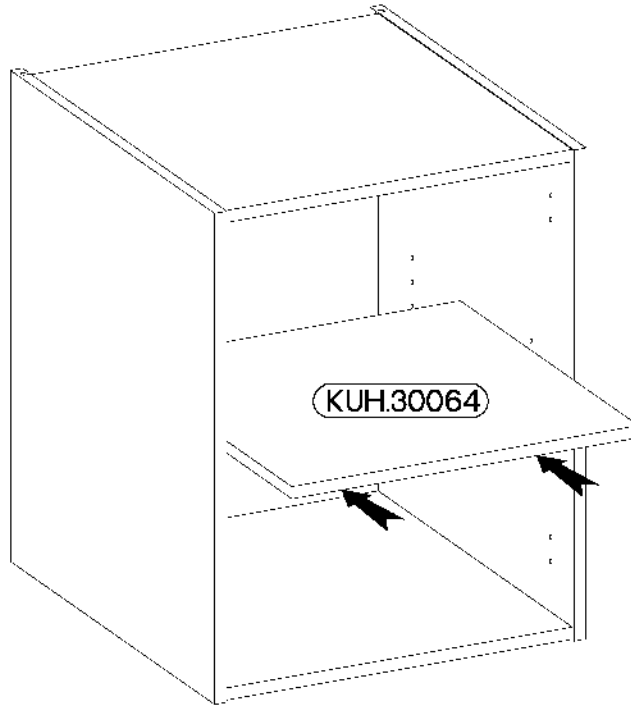
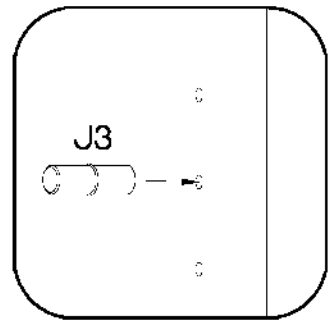


±5/16mm



J3

4



8

±35/0mm

±3.5x13mm



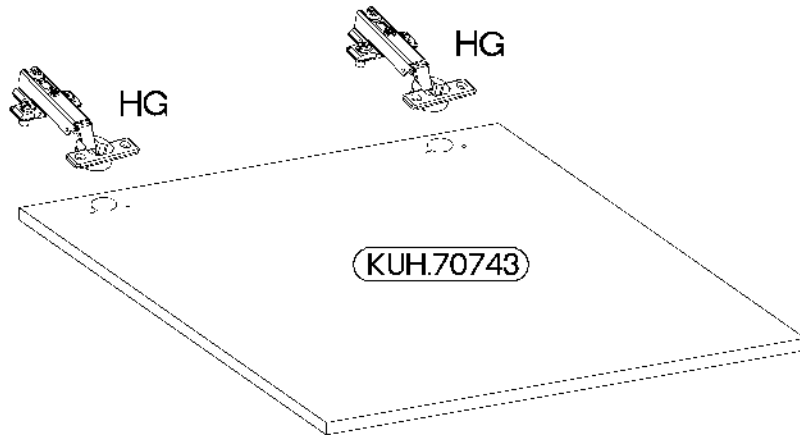
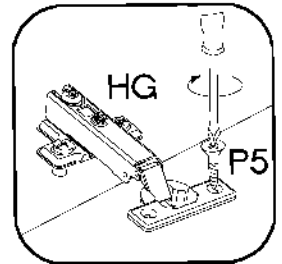
HG



2

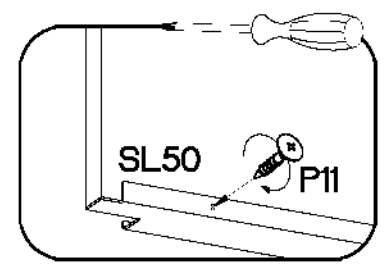
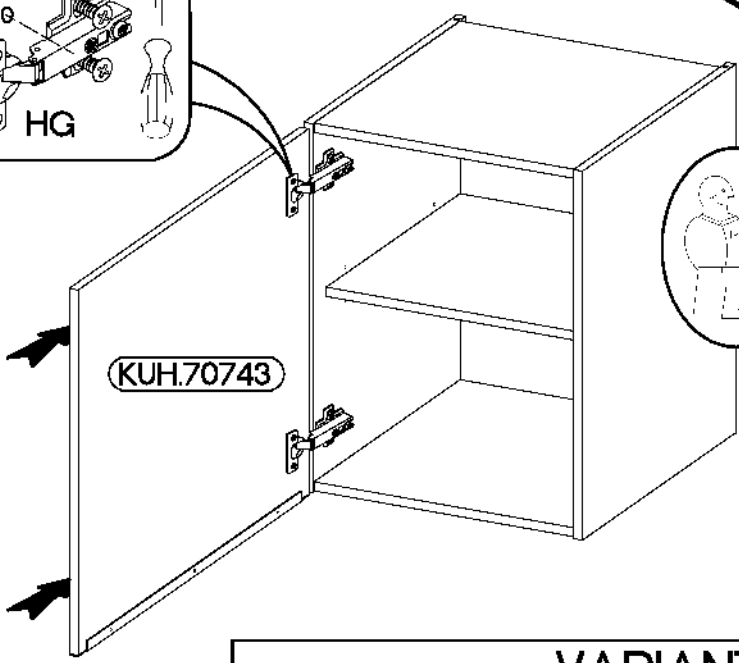
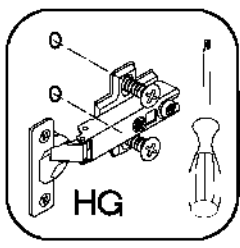
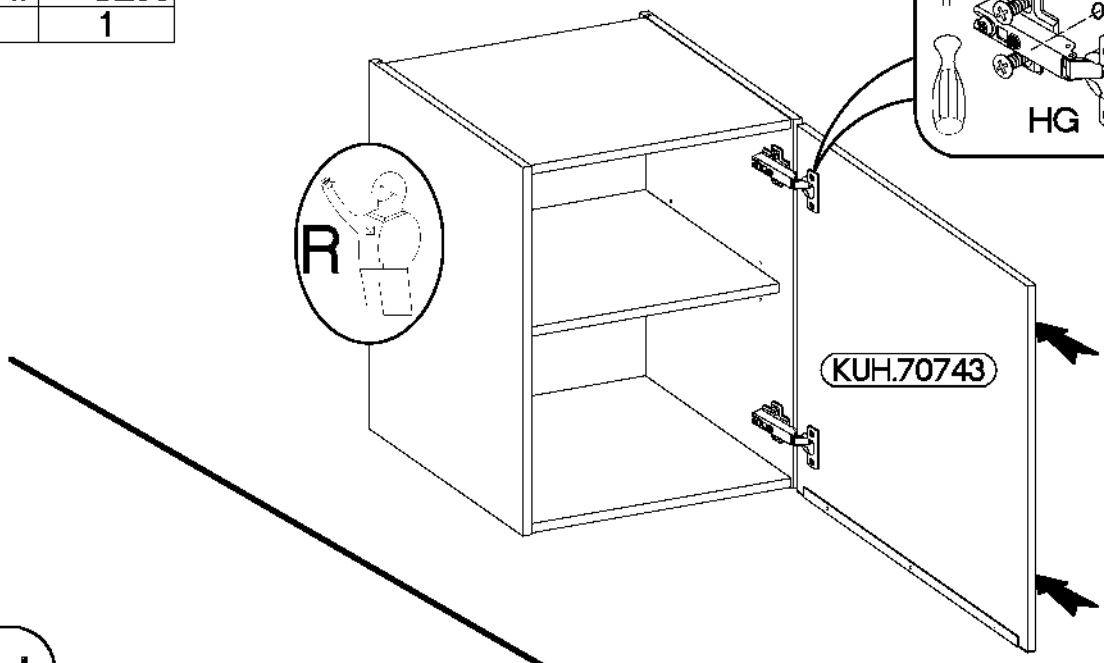
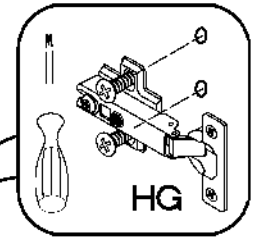
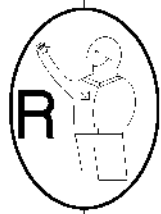


P5

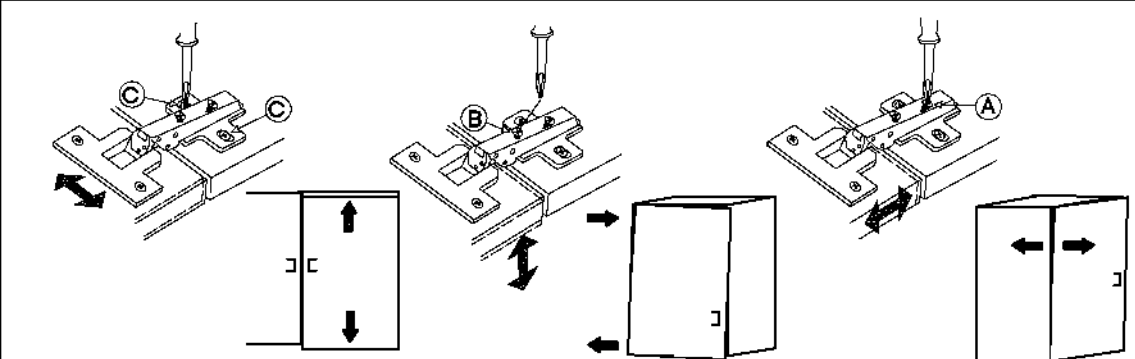
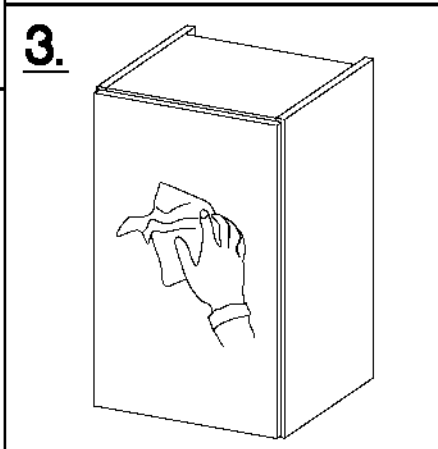
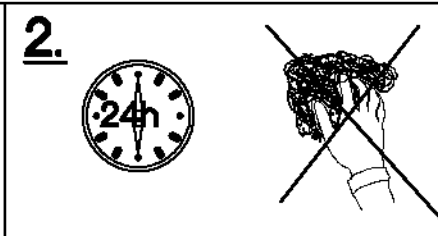
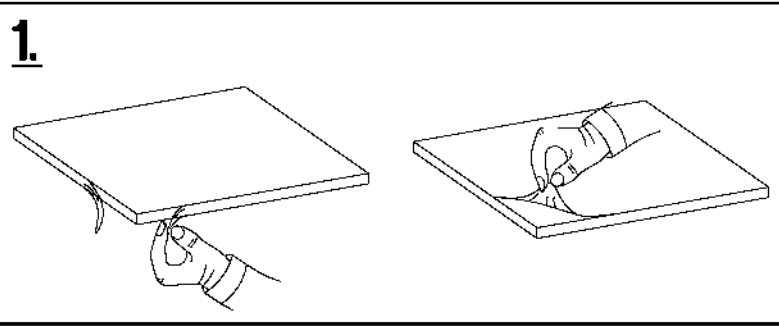
4

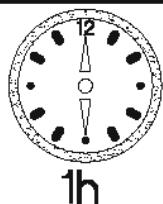
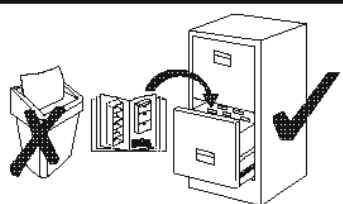
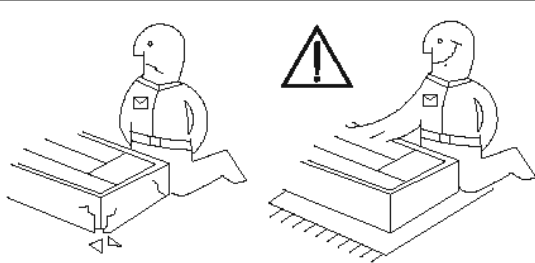
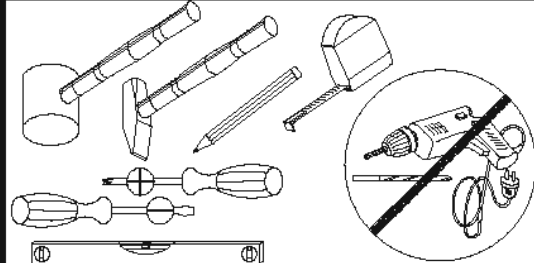
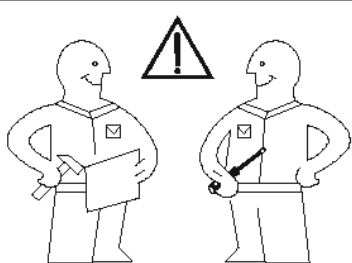


∅3.0x16mm	L=495mm
	
P11	SL50
3	1



VARIANT HIGH GLOSS





SAFADO / MARLEEN

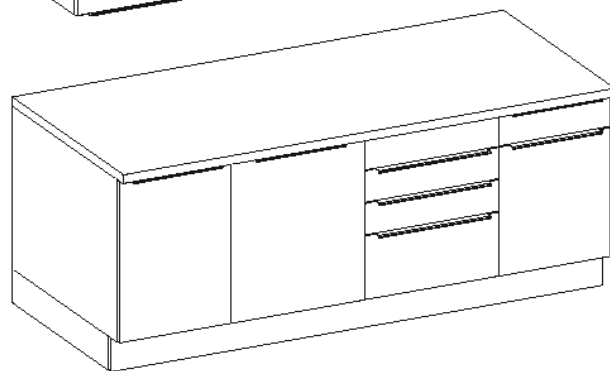
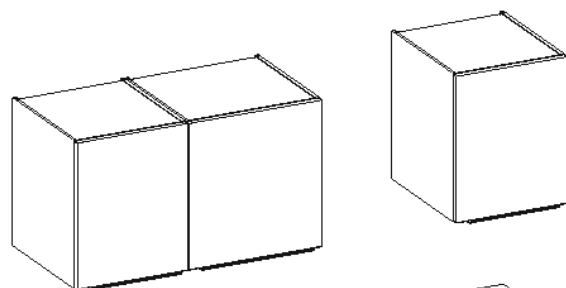
84-170-...

84-176-...

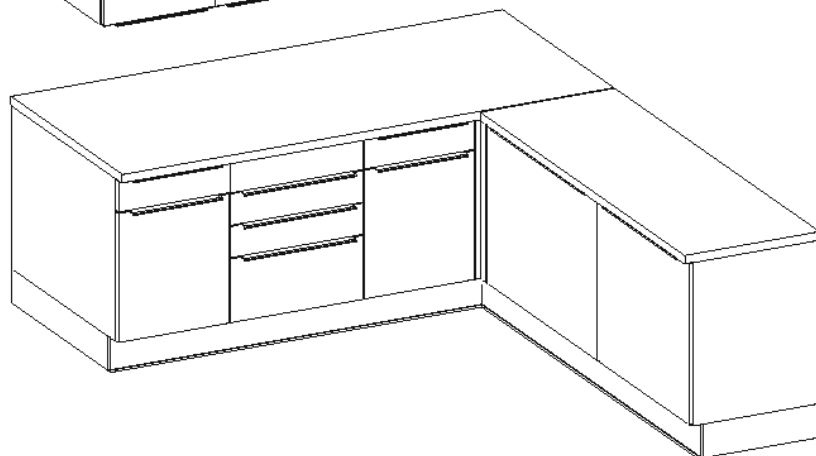
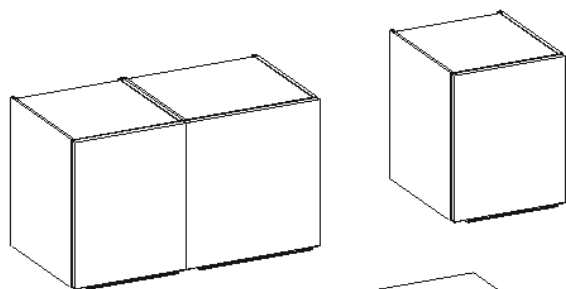
84-17F-...



RESPEKTA®



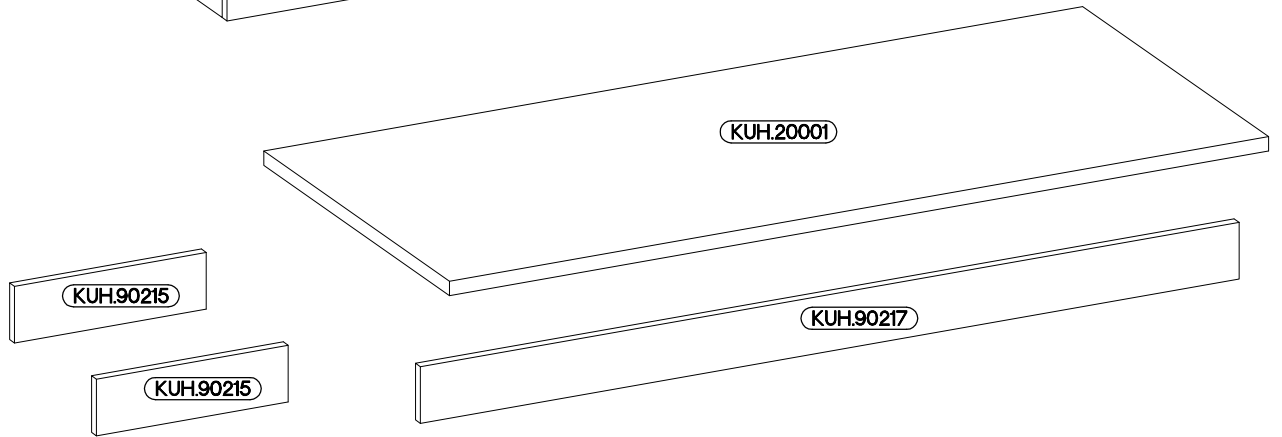
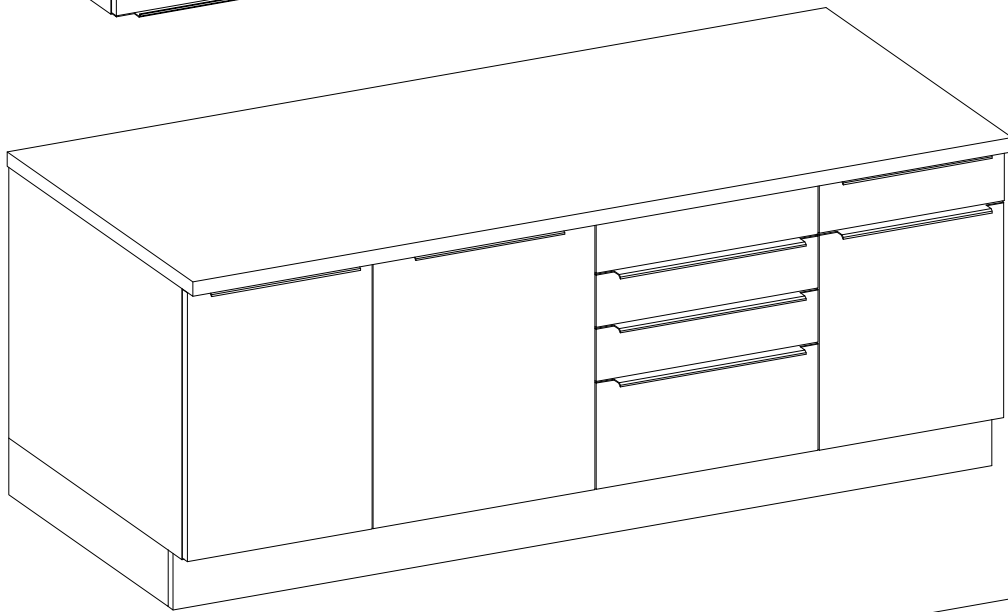
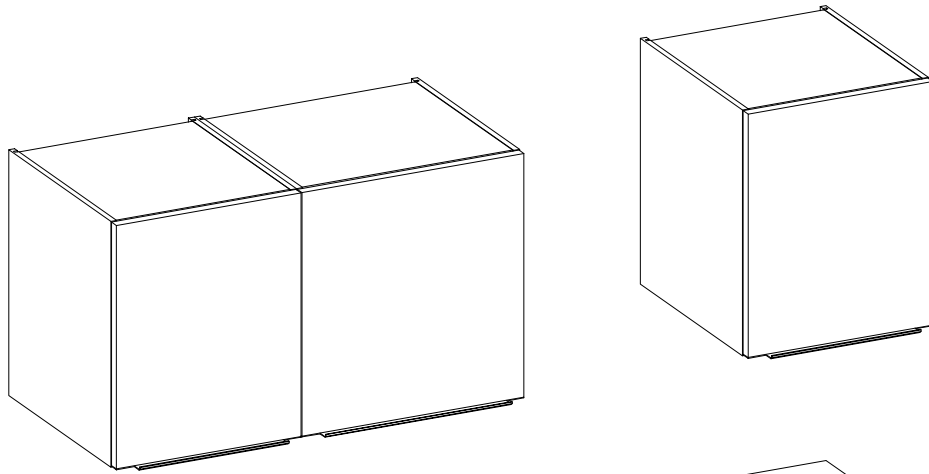
VARIANT 1



VARIANT 2

ISM-KUH-01597

VARIANT 1



Colli	Spare Part	Dimension
Colli 6/6	KUH.20001	2200x600x38
	KUH.90215 x2	515x150x16
	KUH.90217	2199x150x16

±3.5x13mm



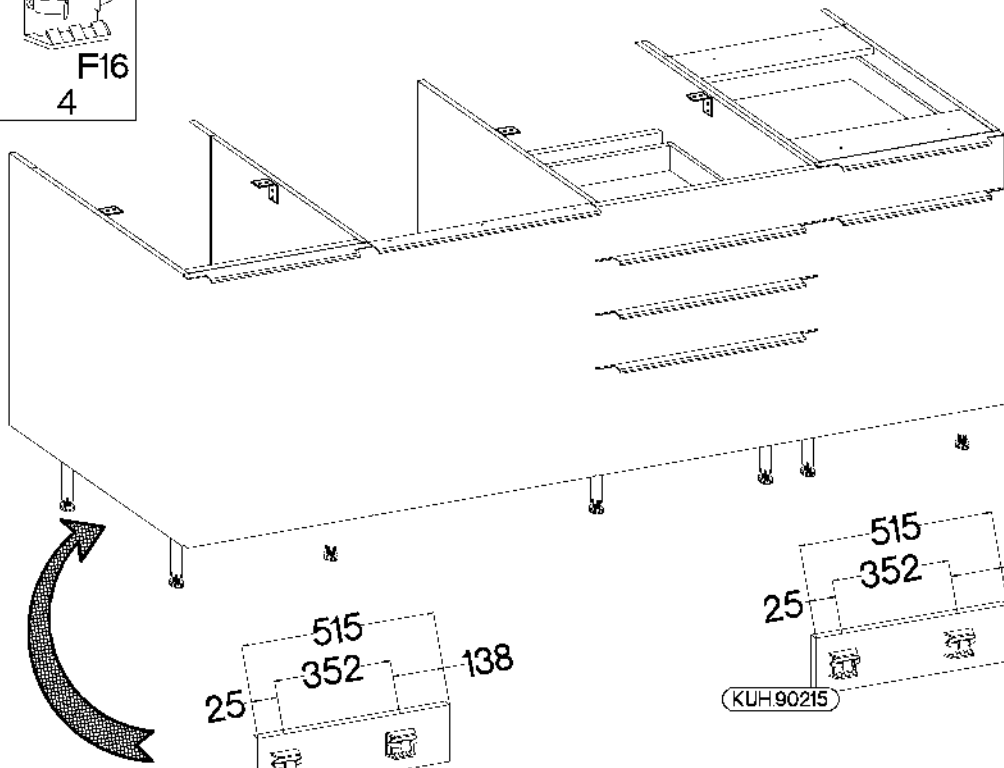
P5

8



F16

4



KUH.90215

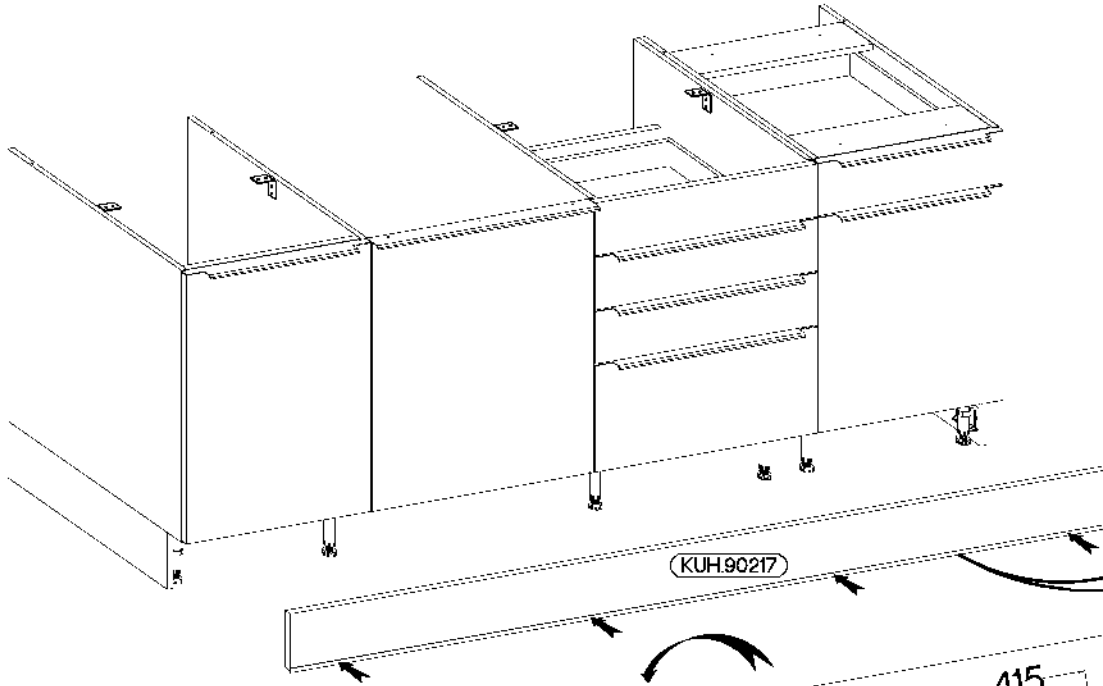
KUH.90215

515
352
138
25

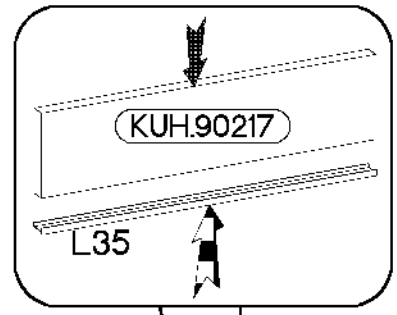
515
352
138
25

2

1. F16
2. F16 P5
3. F16
4. F16

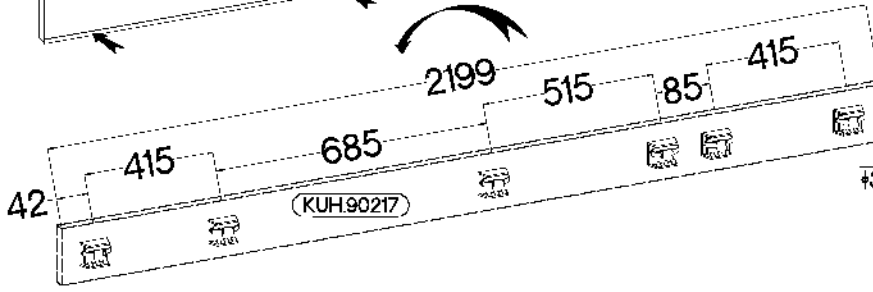


KUH.90217



KUH.90217

L35



KUH.90217

±3.5x13mm



P5

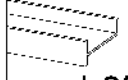
12



F16

6



L=2200mm

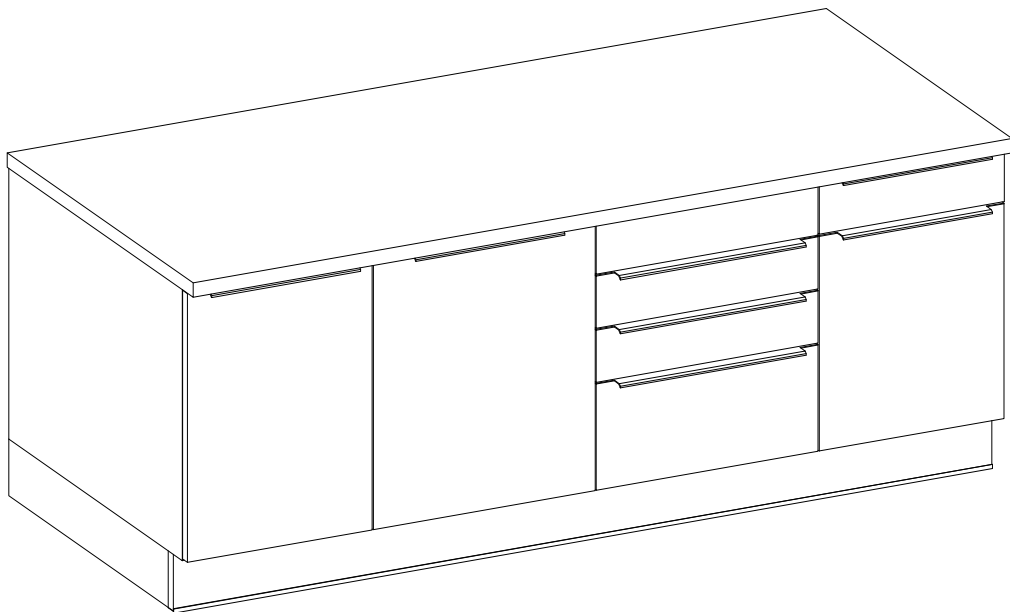
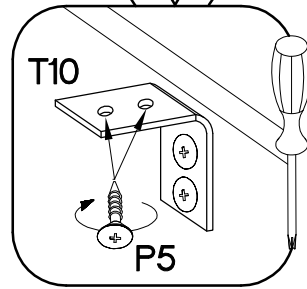
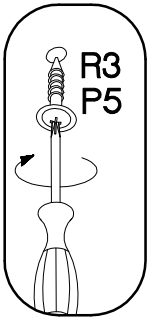
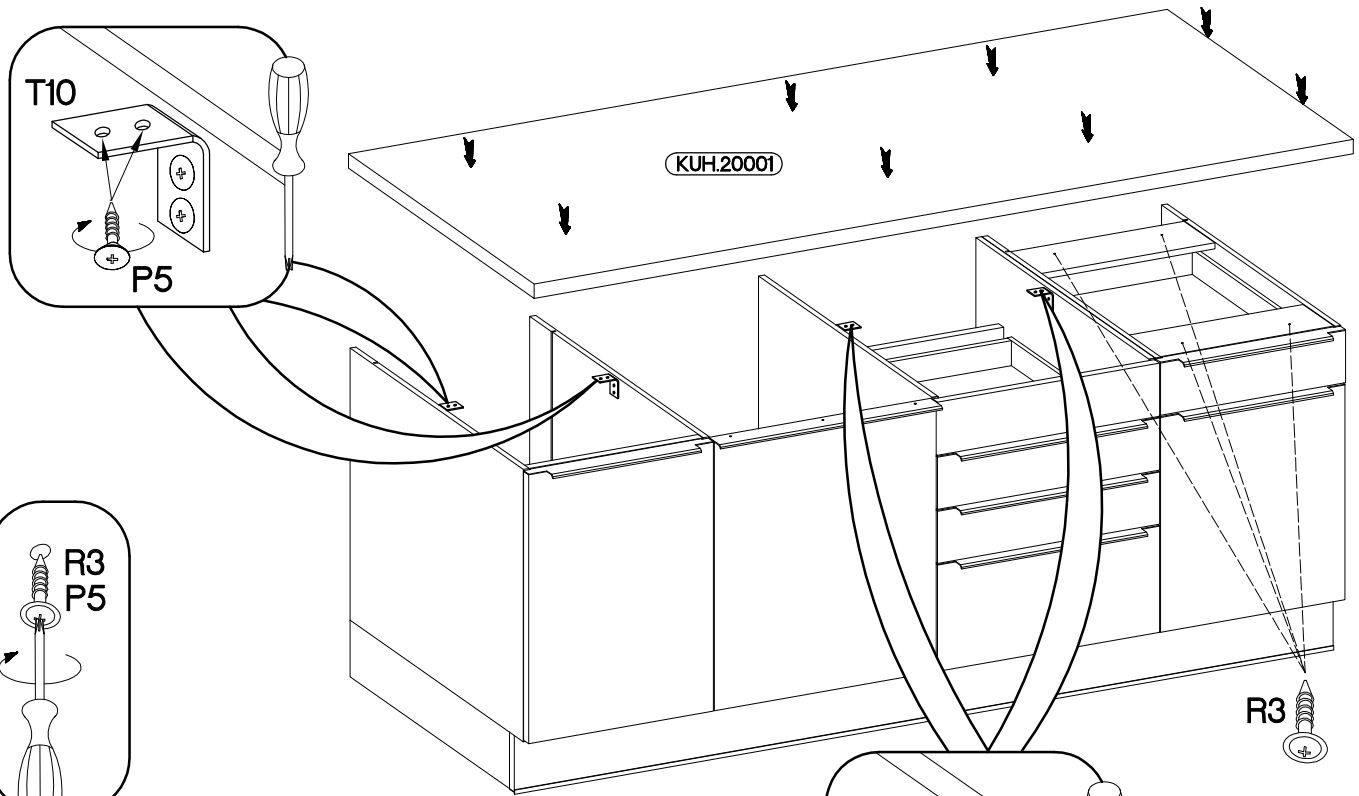



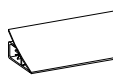
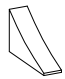
L35

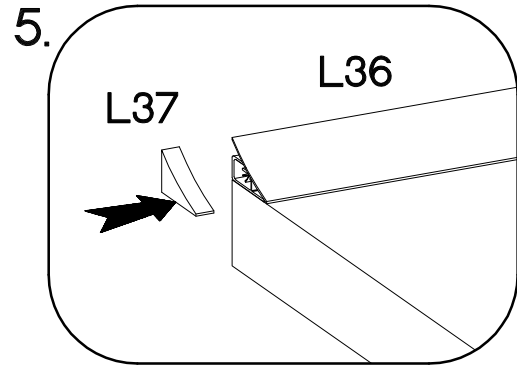
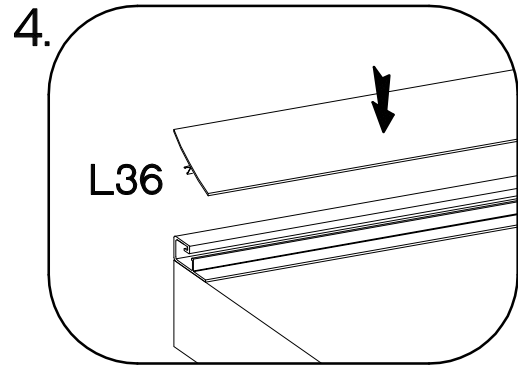
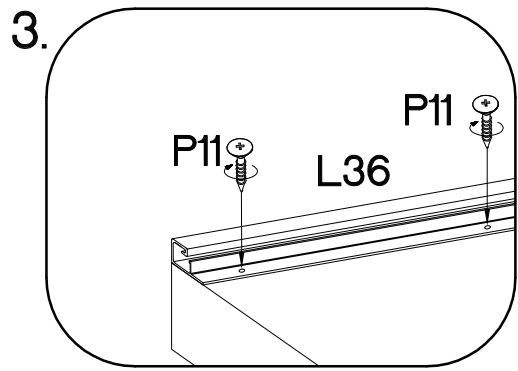
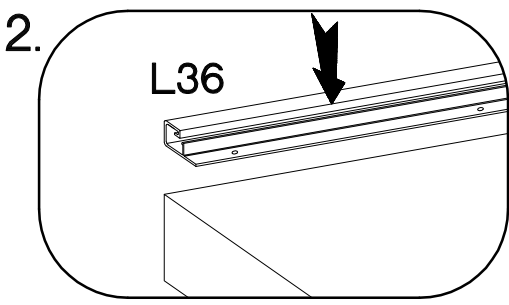
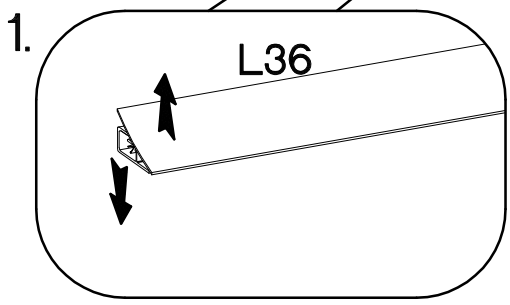
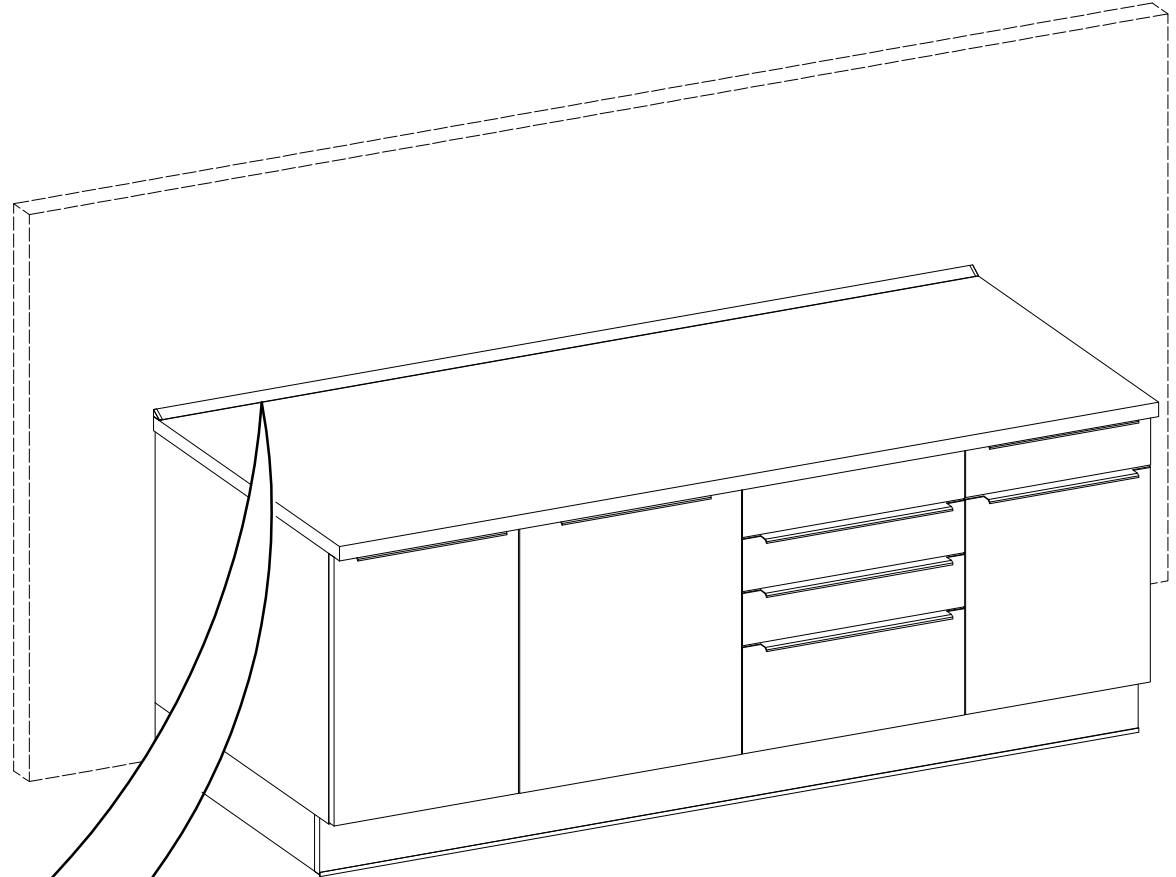
1

3

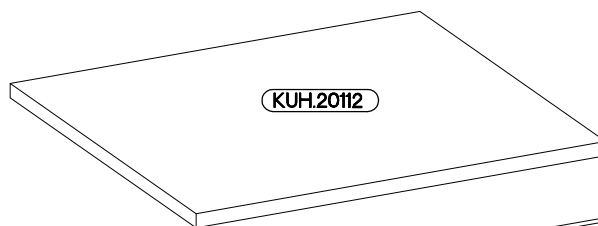
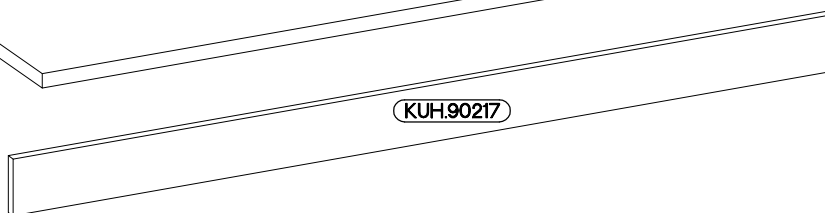
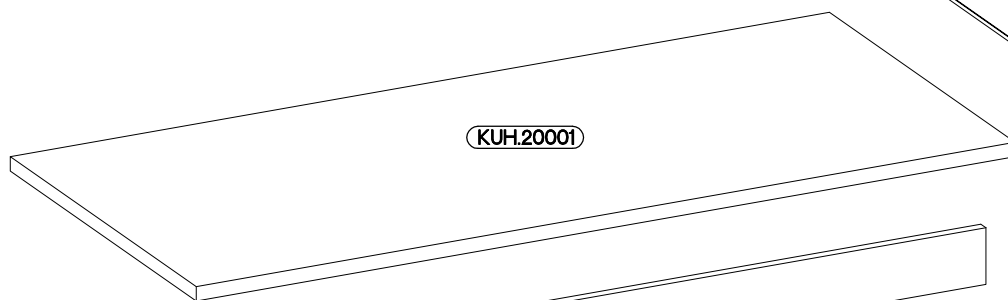
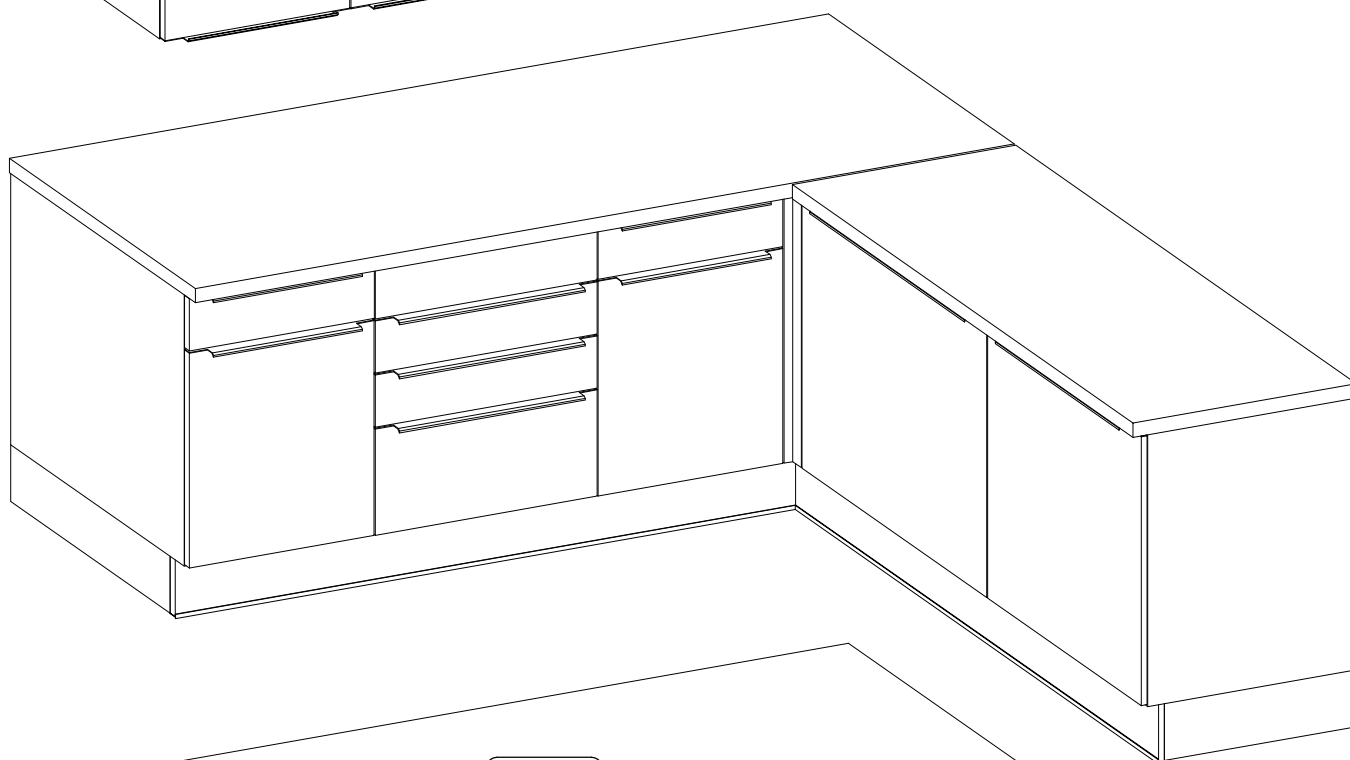
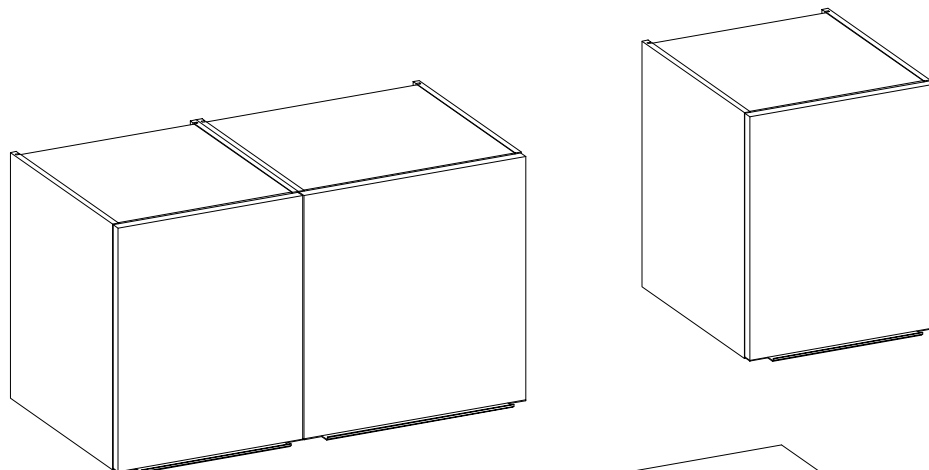
4.0x35mm	3.5x13mm
	
R3	P5
4	8



$\phi 3.0 \times 16 \text{mm}$  P11 8	L=2200mm  L36 1	 L37 2
--	--	--

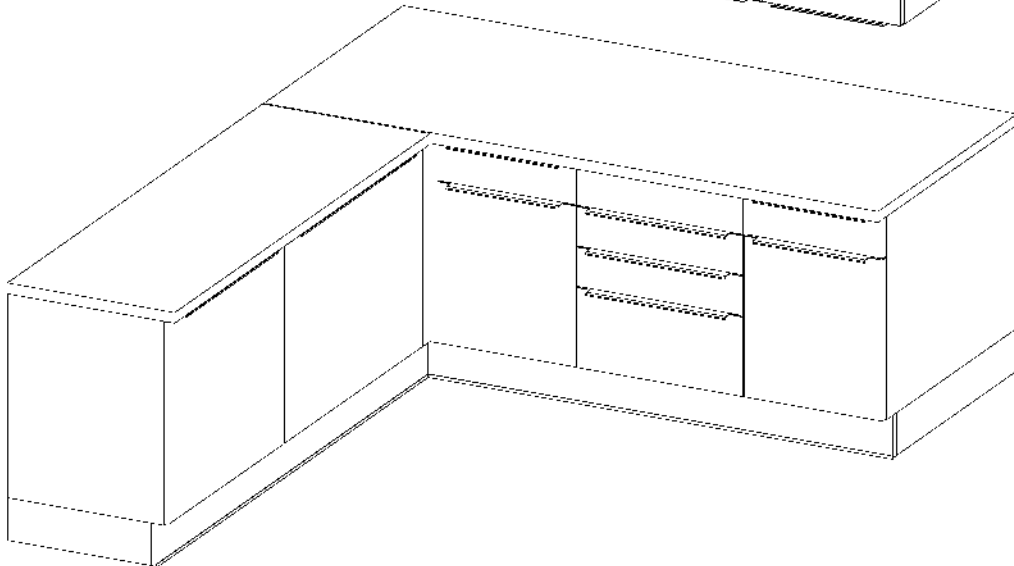
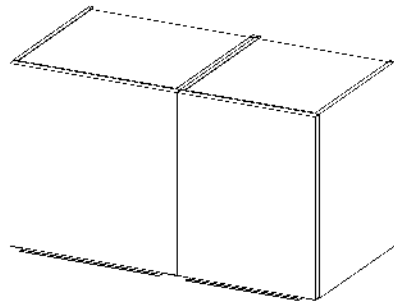
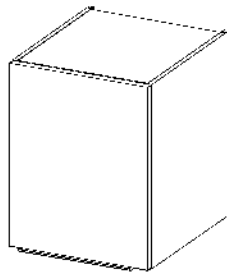
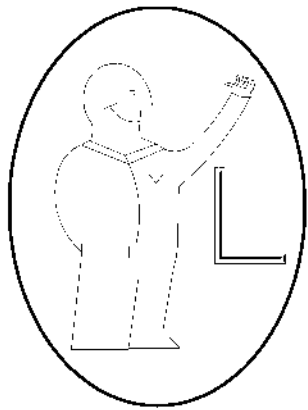
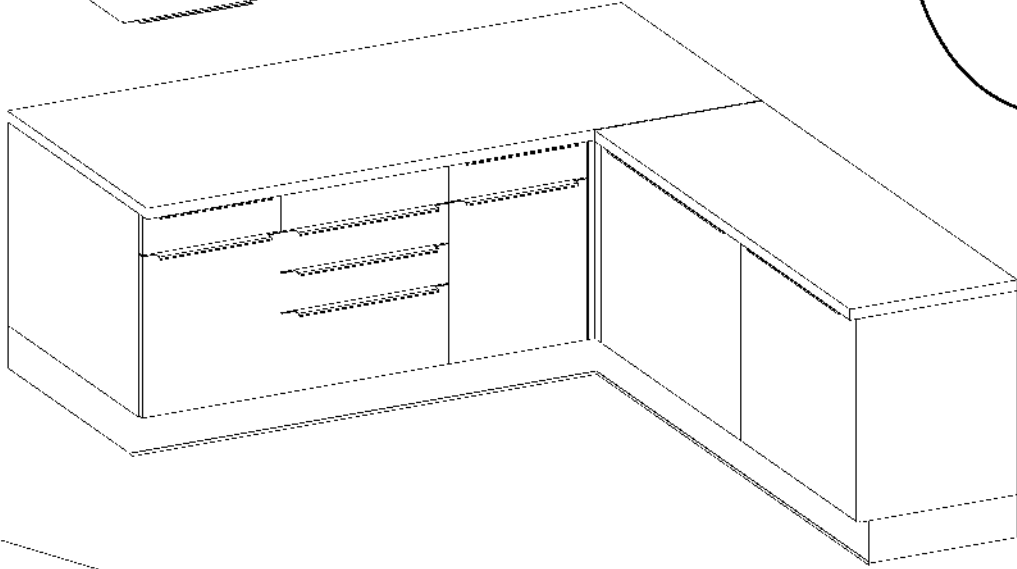
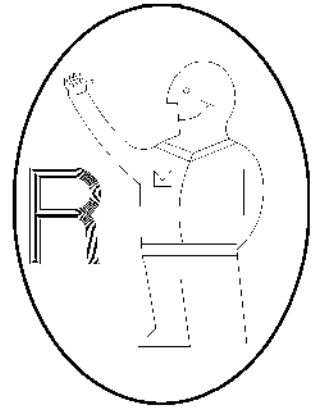
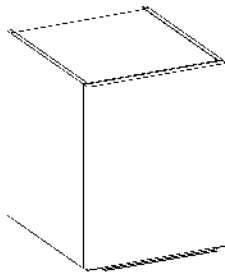
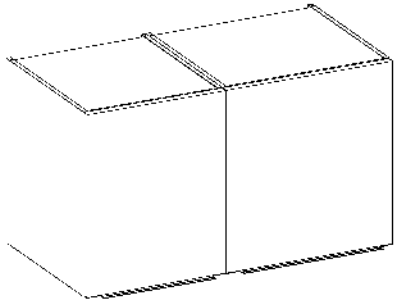


VARIANT 2



Colli	Spare Part	Dimension
Colli 2/2	KUH.20112	1100x600x38
	KUH.90258	1172x150x16

Colli	Spare Part	Dimension
Colli 6/6	KUH.20001	2200x600x38
	KUH.90215 x2	515x150x16
	KUH.90217	2199x150x16

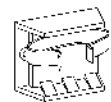


±3.5x13mm



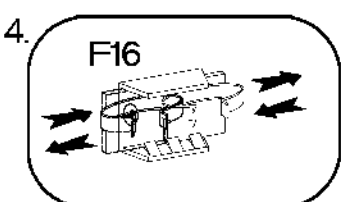
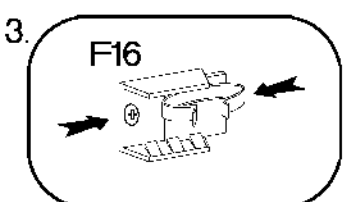
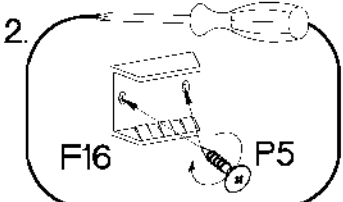
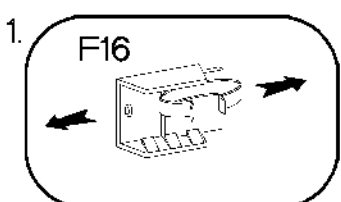
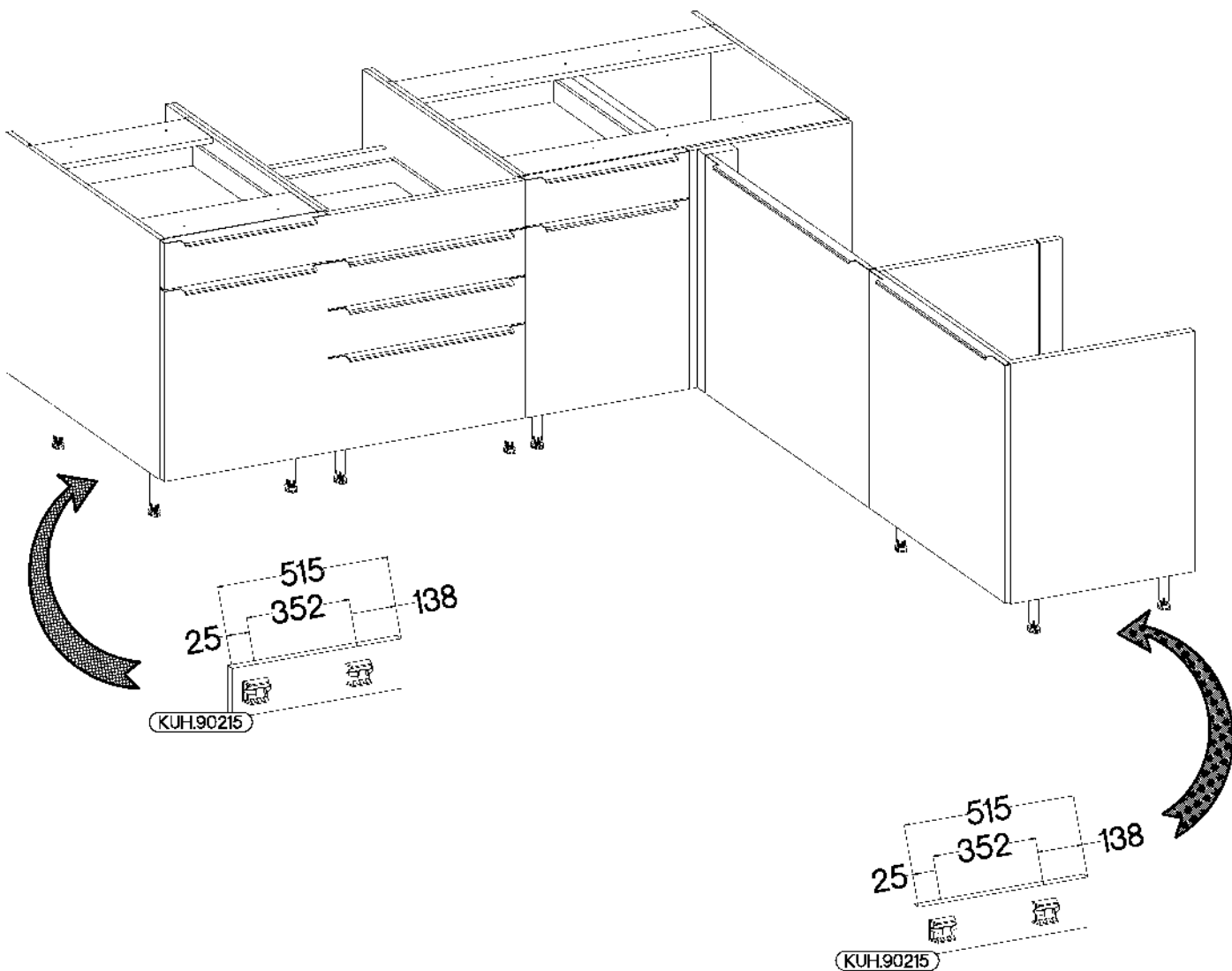
P5




8

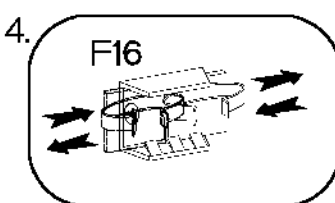
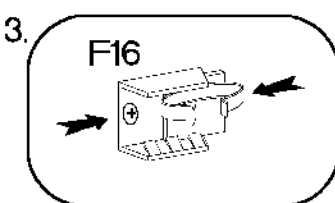
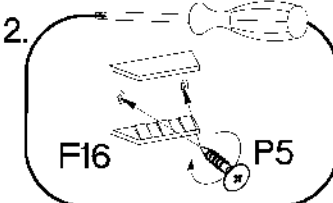
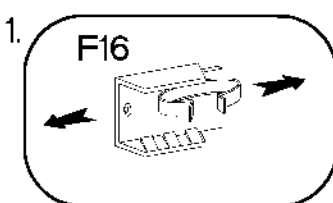
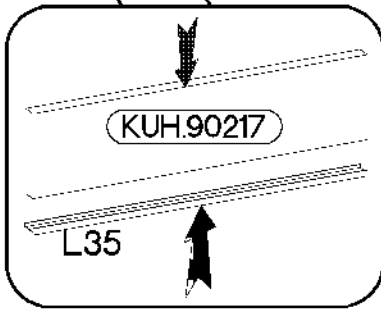
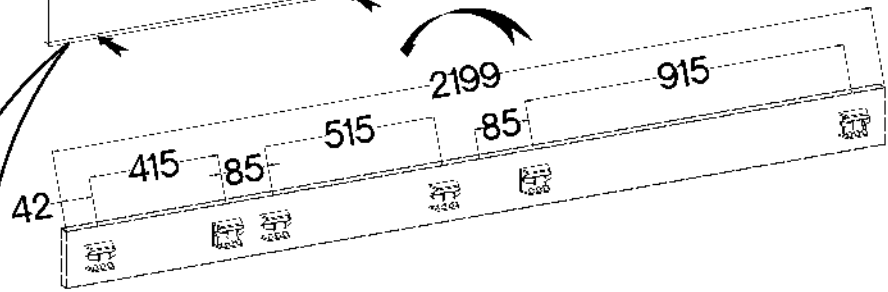
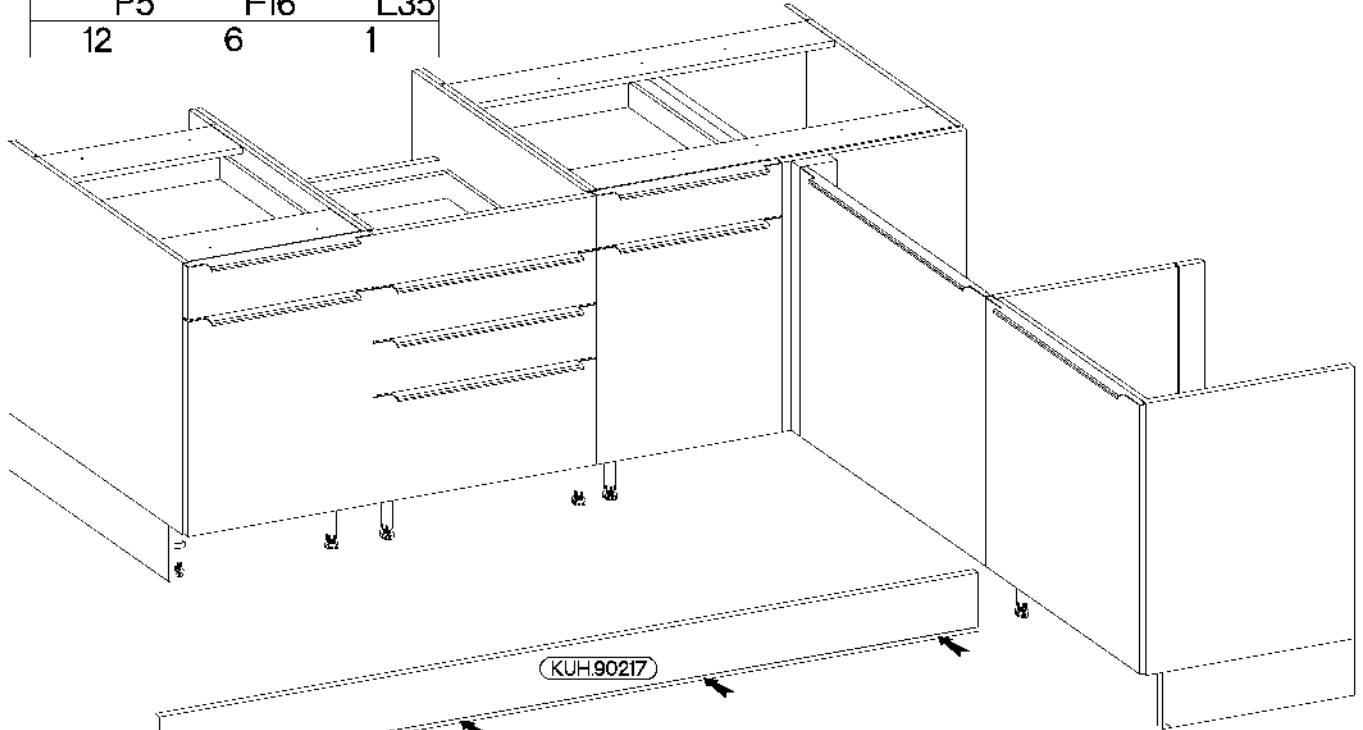


F16

4



+3.5x13mm		L=2200mm	
			
P5	F16	L35	
12	6	1	



7

3.5x13mm

L=1172mm



P5

4



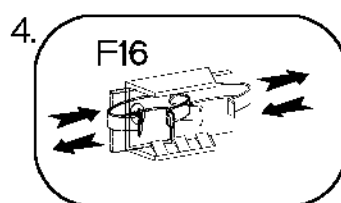
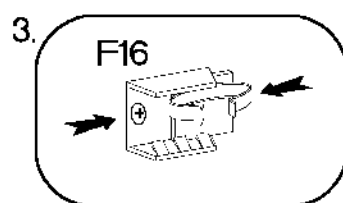
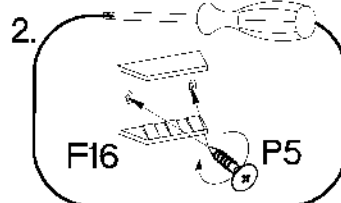
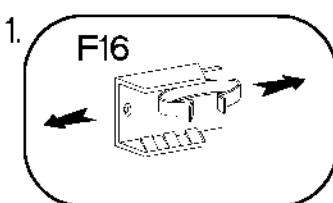
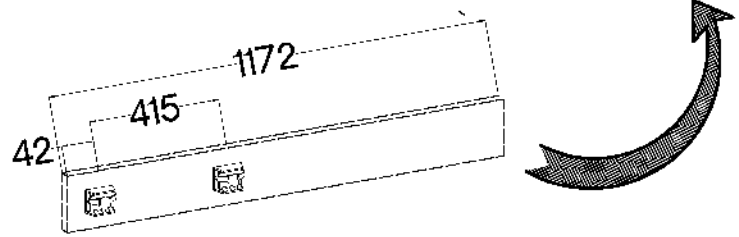
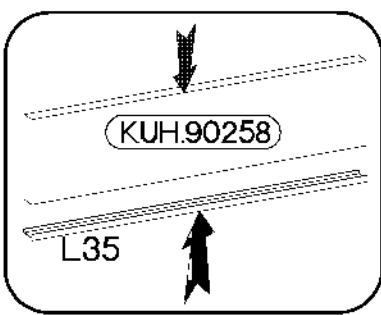
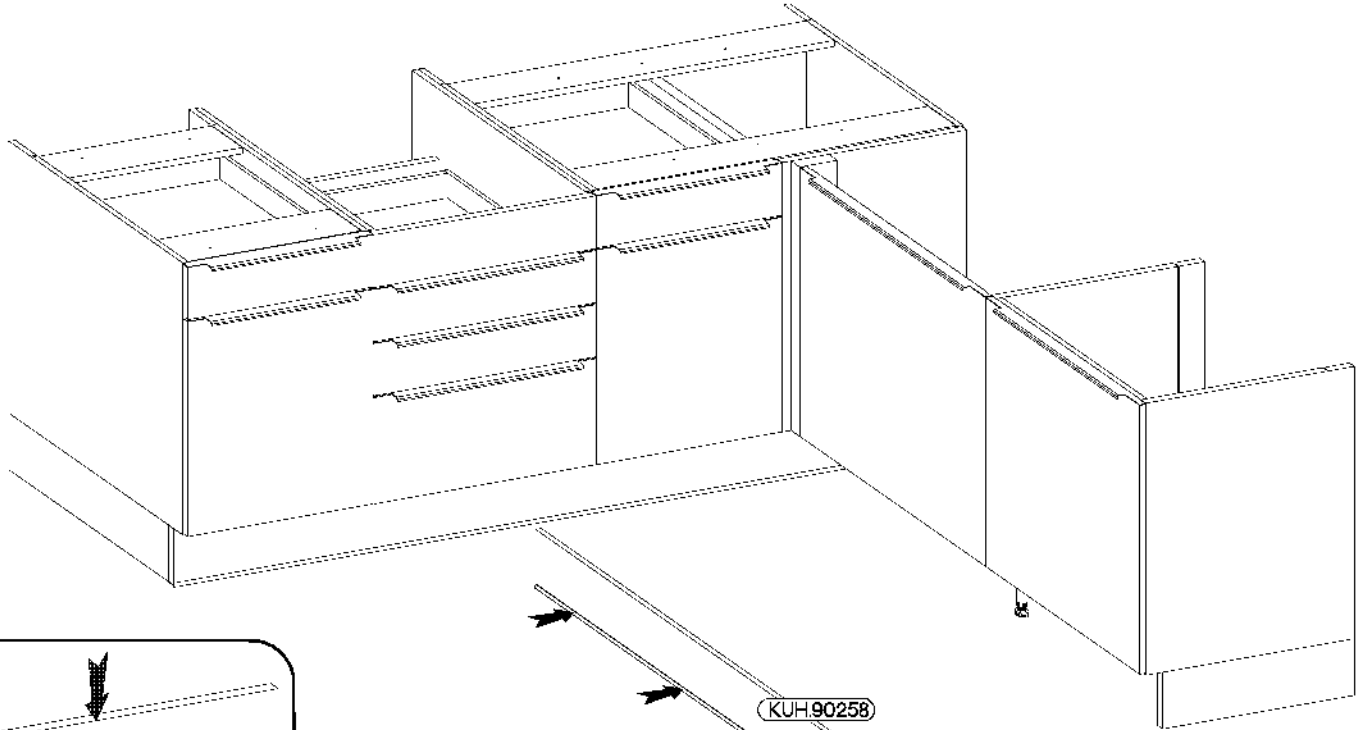
F16

2





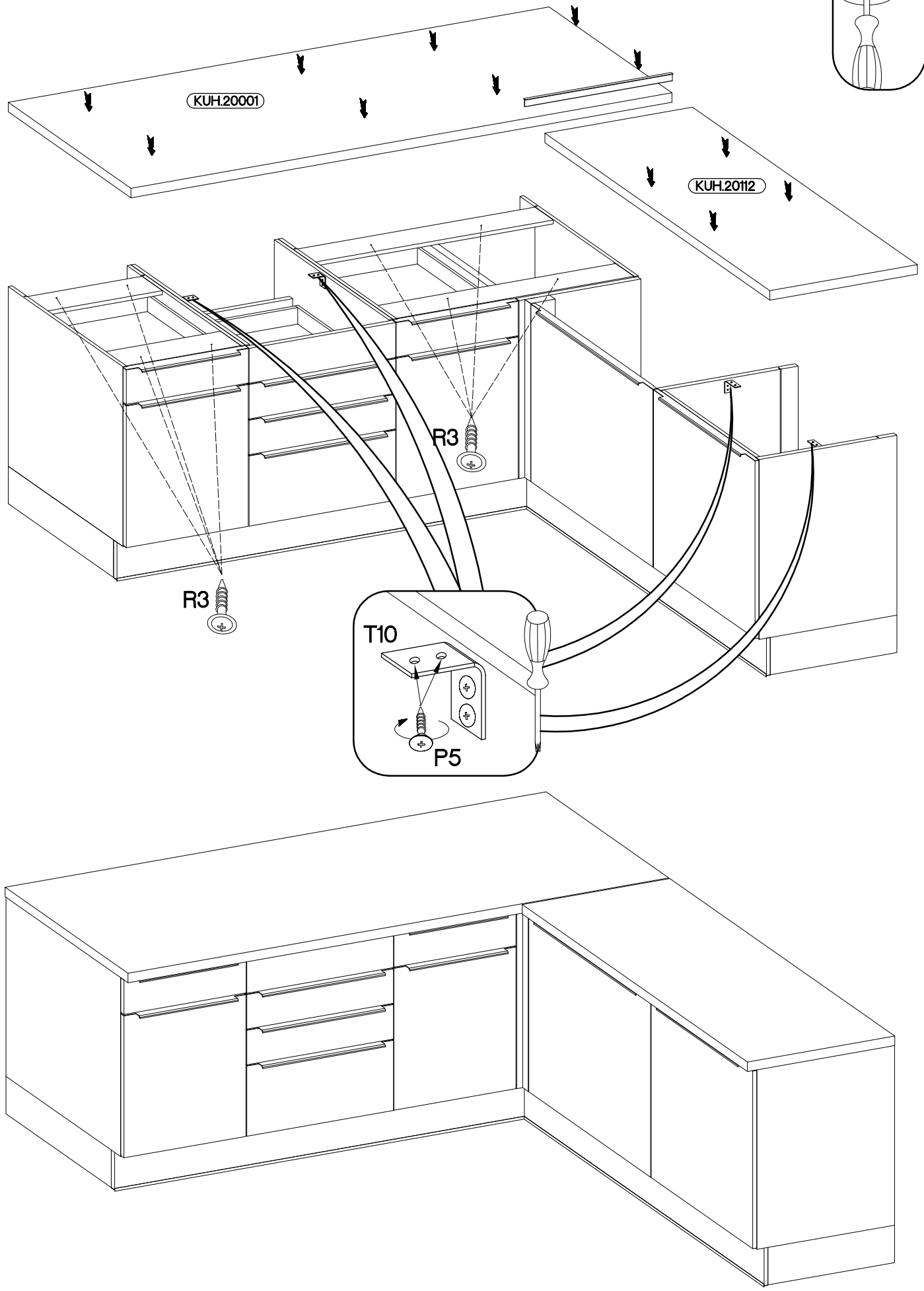
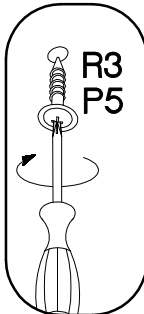
L35

1




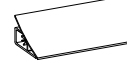

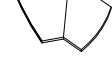
4.0x35mm 3.5x13mm

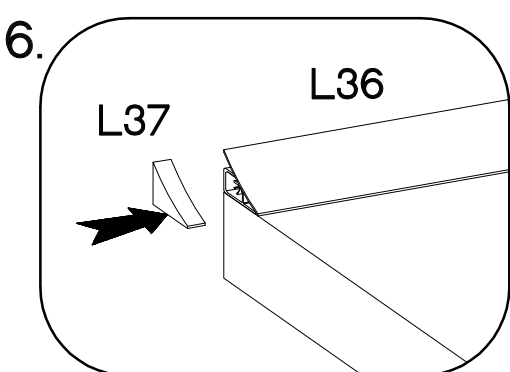
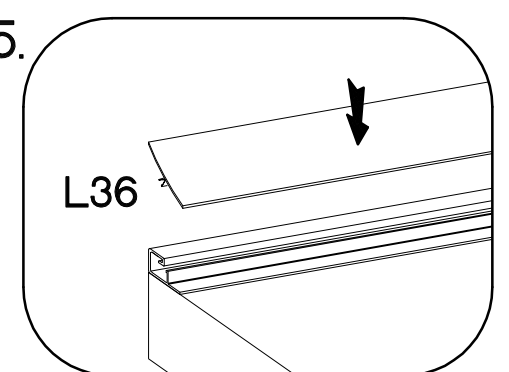
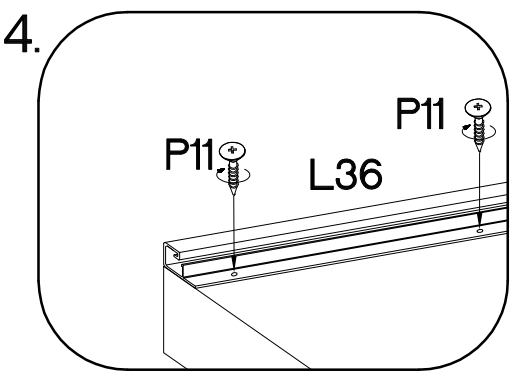
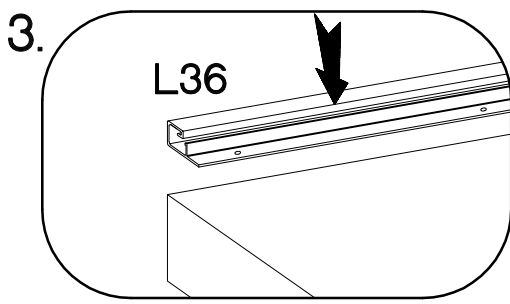
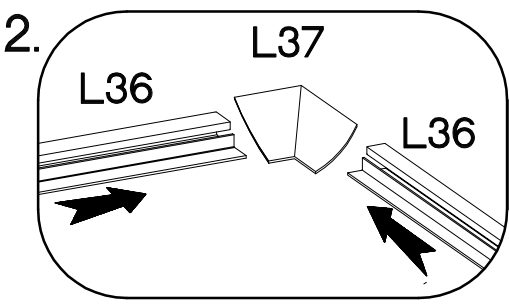
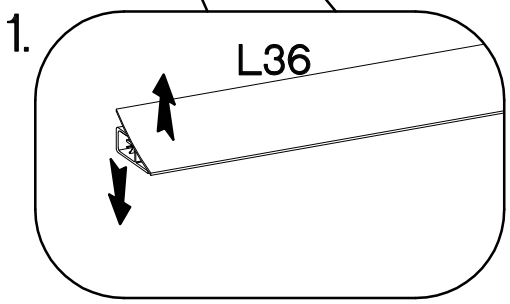
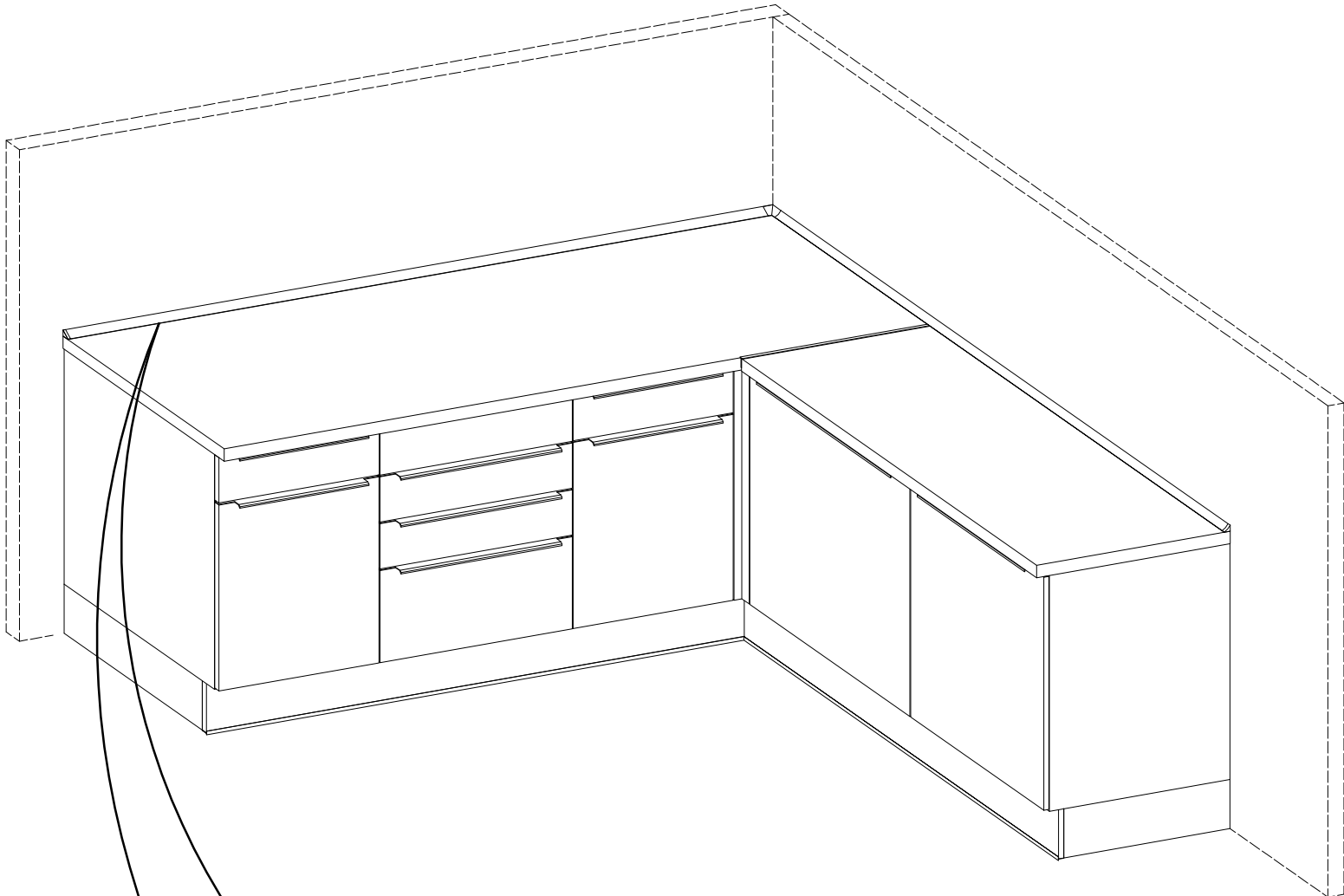
 R3 8	 P5 8
---	---



φ3.0x16mm

L=2200mm

			
P11	L36	L37	L38
14	2	2	1

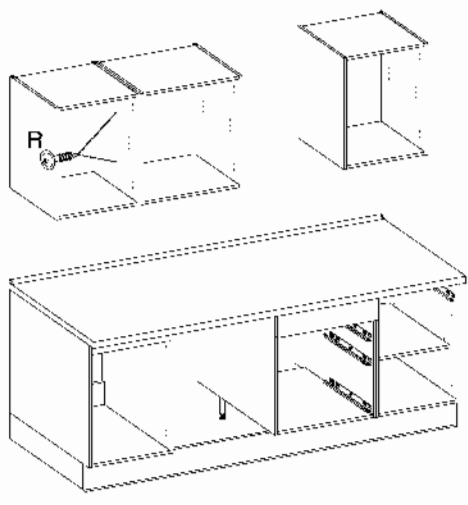


10

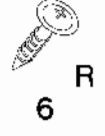
4.0x25mm



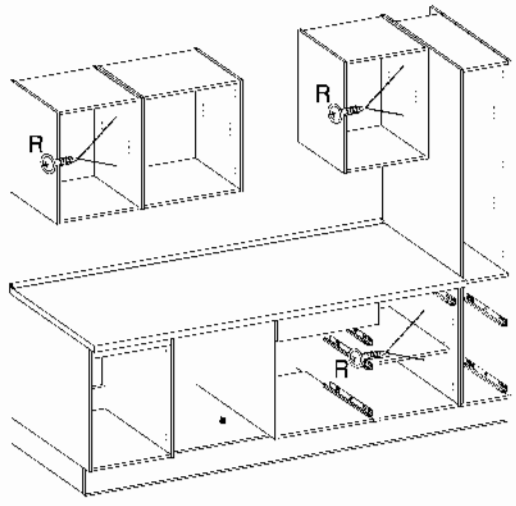
V 1



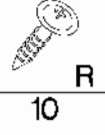
4.0x25mm



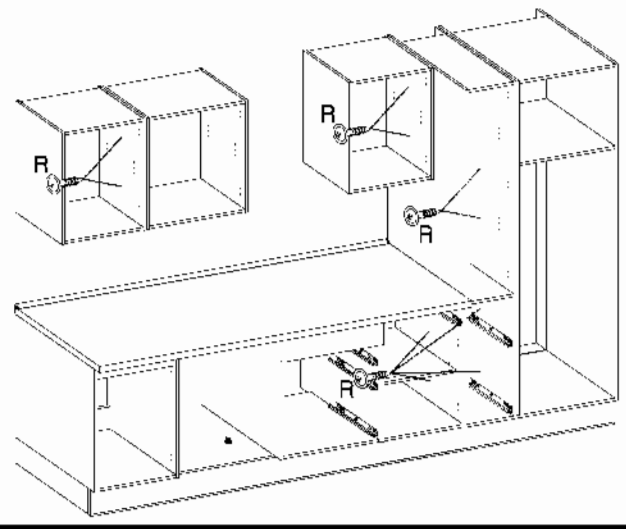
V 2



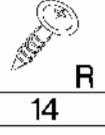
4.0x25mm



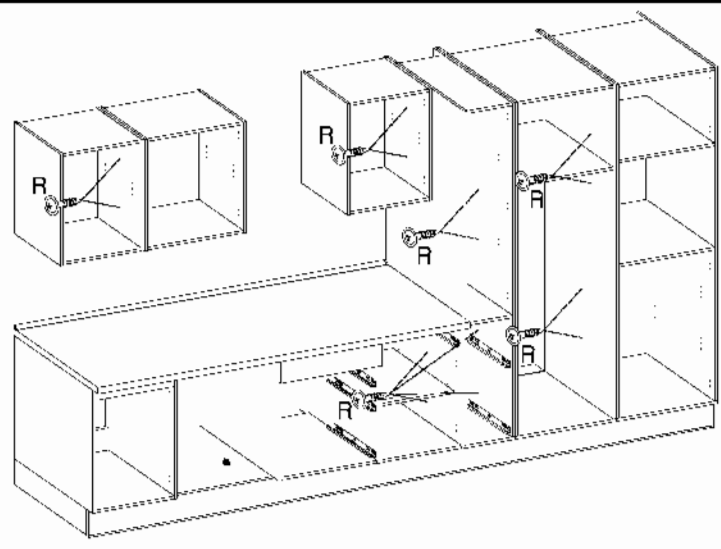
V 3

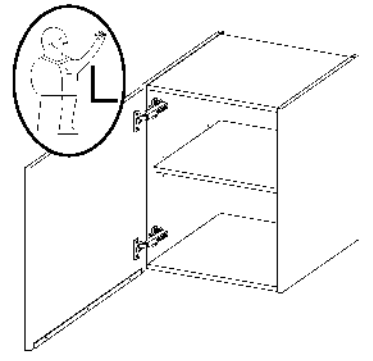
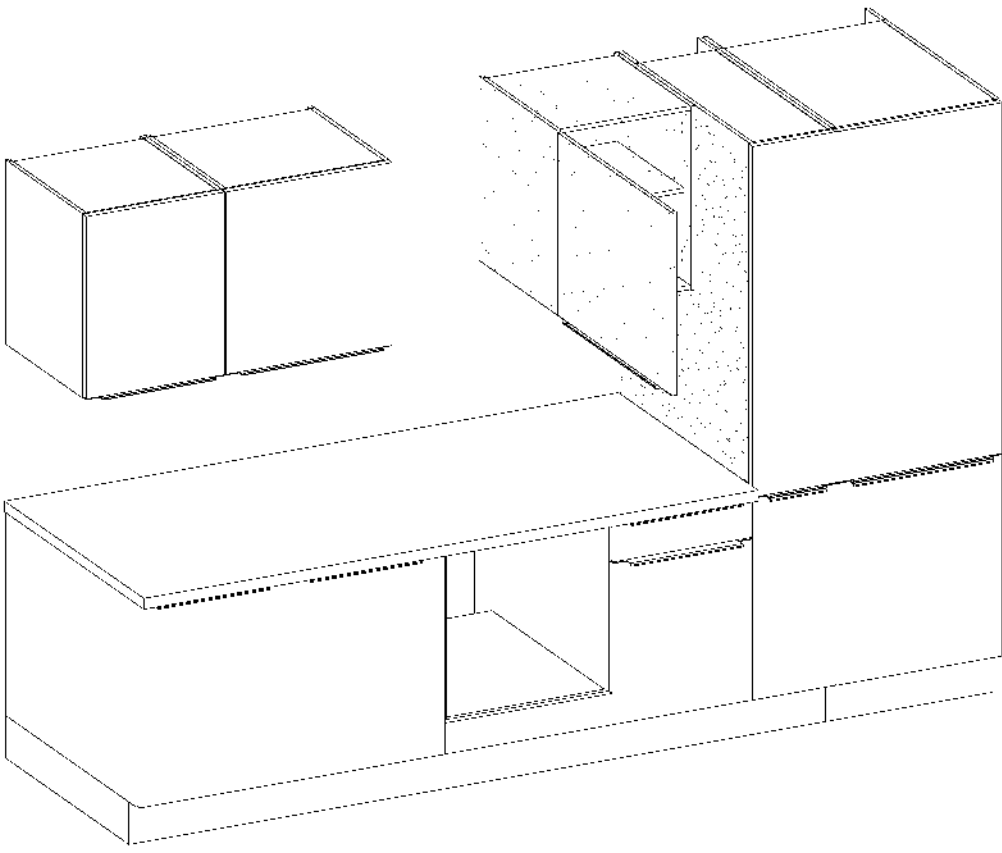
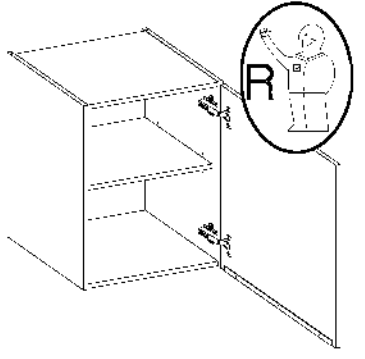
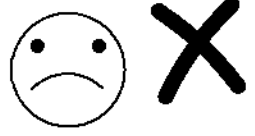
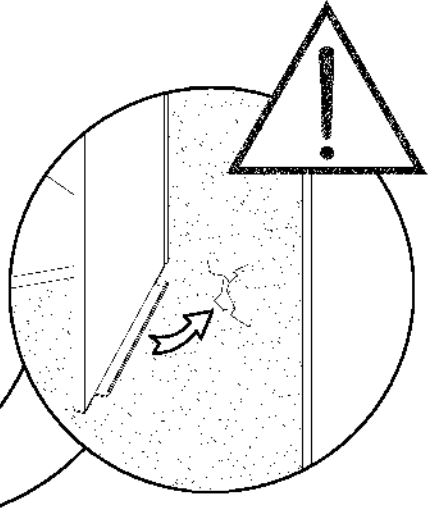
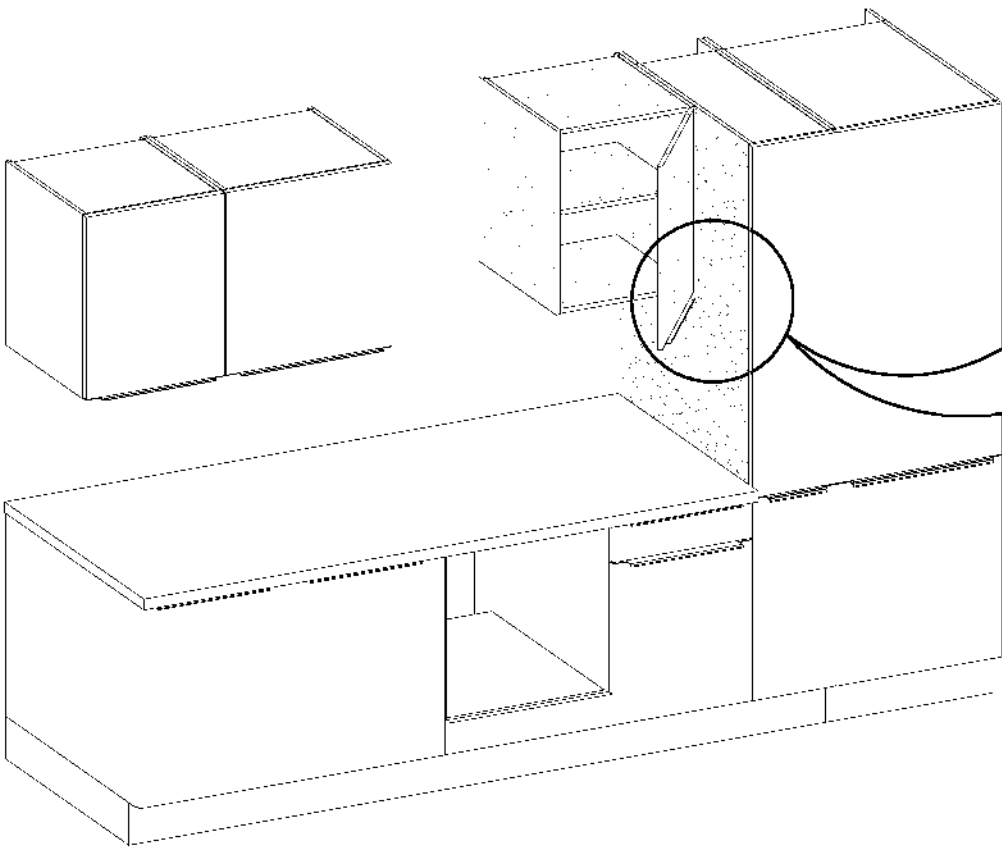


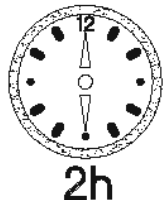
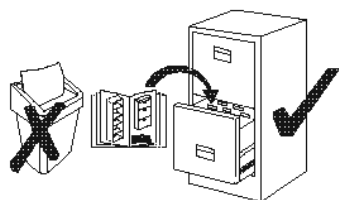
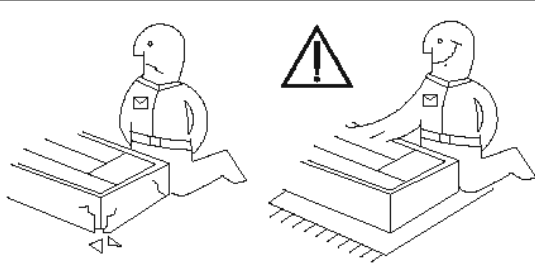
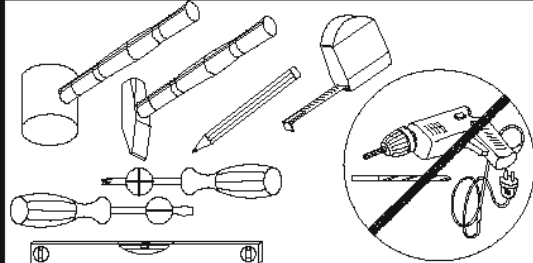
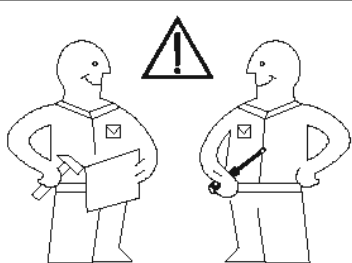
4.0x25mm



V 4





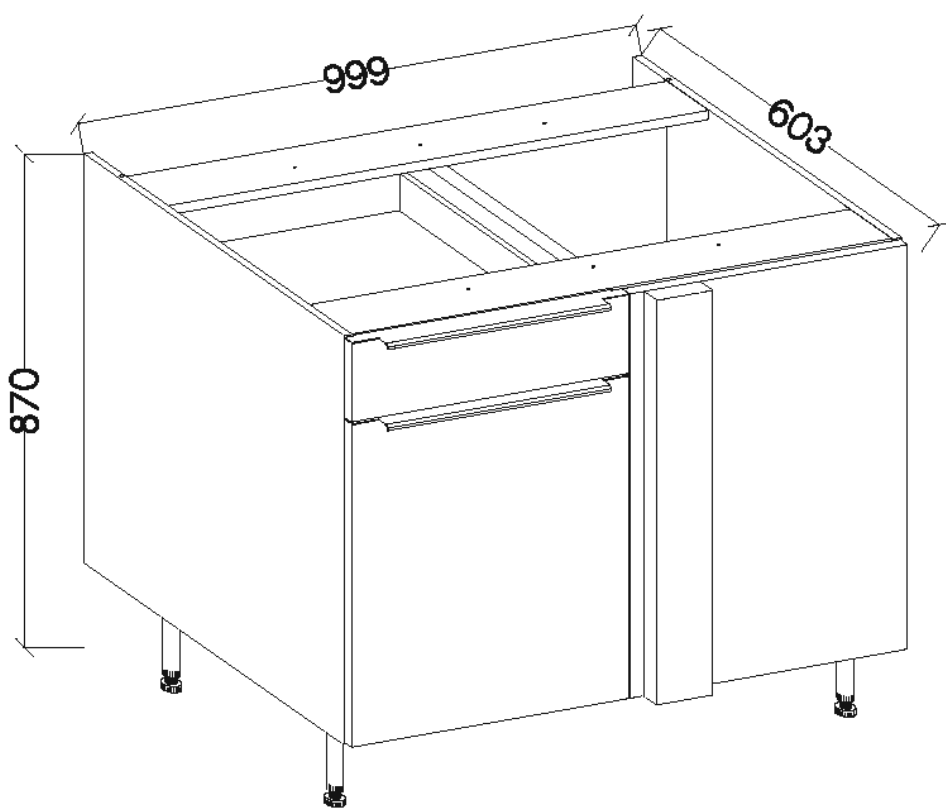


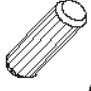


SAFADO / MARLEEN

73-156-...
73-15G-...
73-15H-...




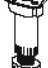








respekta®














±8x30mm  A	6,4 x 50mm  B	±6x42mm  B2
--	--	--

12 10 2

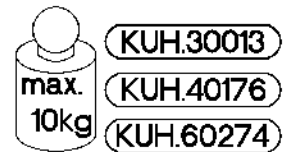
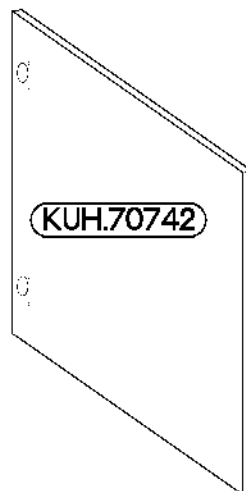
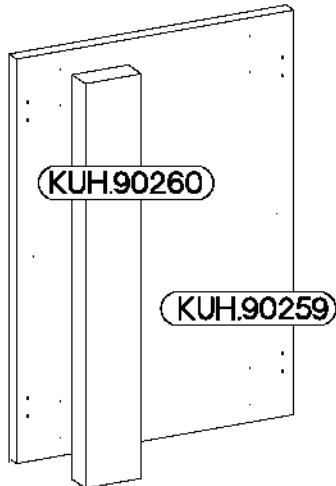
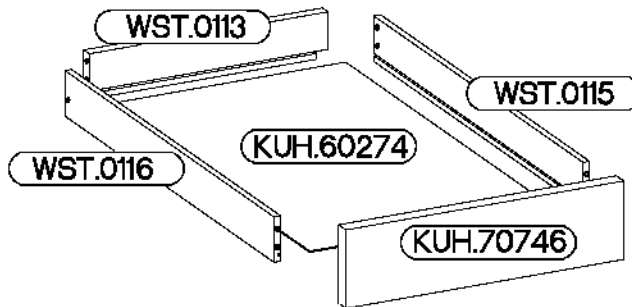
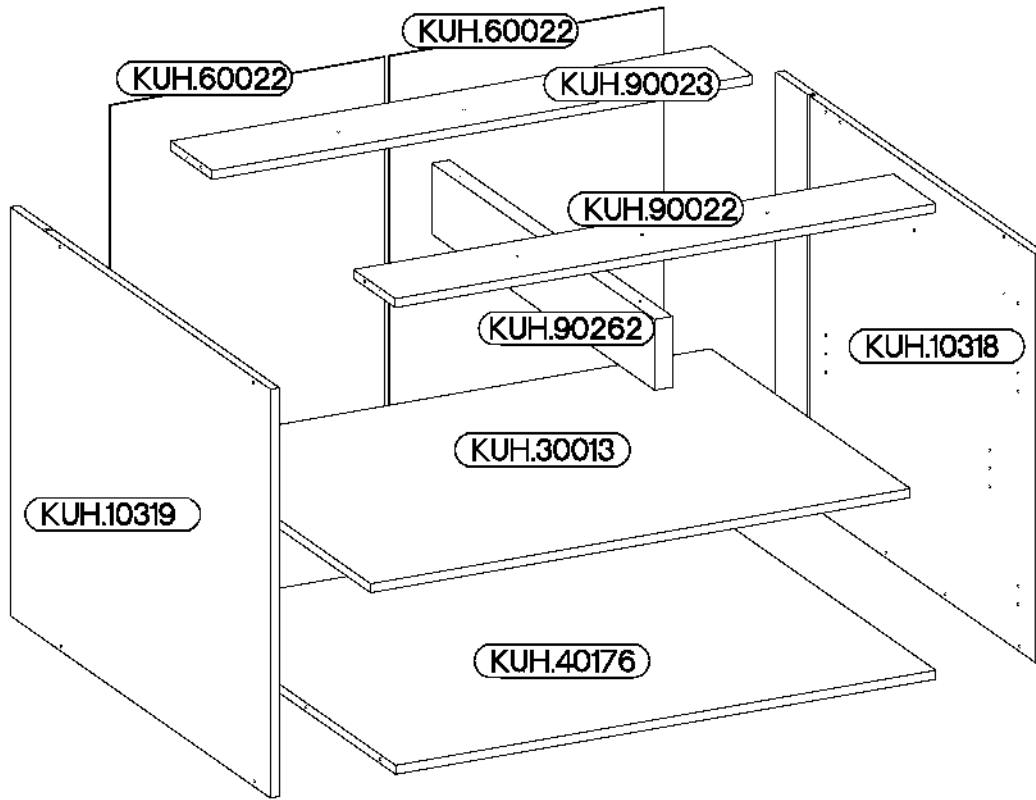
±12/10mm  C5	L=20mm  D2	 E1	 F15	 F16	±35/90°  HG6	L=450mm  I11	±5/16mm  J3	 L	L=680mm  L1
--	---	---	--	--	---	--	--	--	--

2 2 8 4 2 2 1 4 2 1

±6.3x13mm  M2	 O	 O1	±4.0x16mm  P1	±3.5x13mm  P5	±3.0x20mm  P7	±4.0x30mm  P8	±3.0x16mm  P11	±4.0x35mm  R3	L=495mm  SL50	 T3
---	--	---	--	--	--	--	---	--	--	---

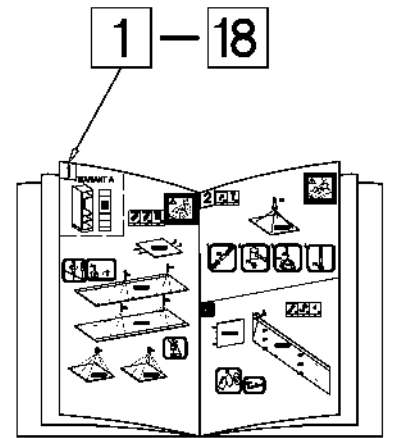
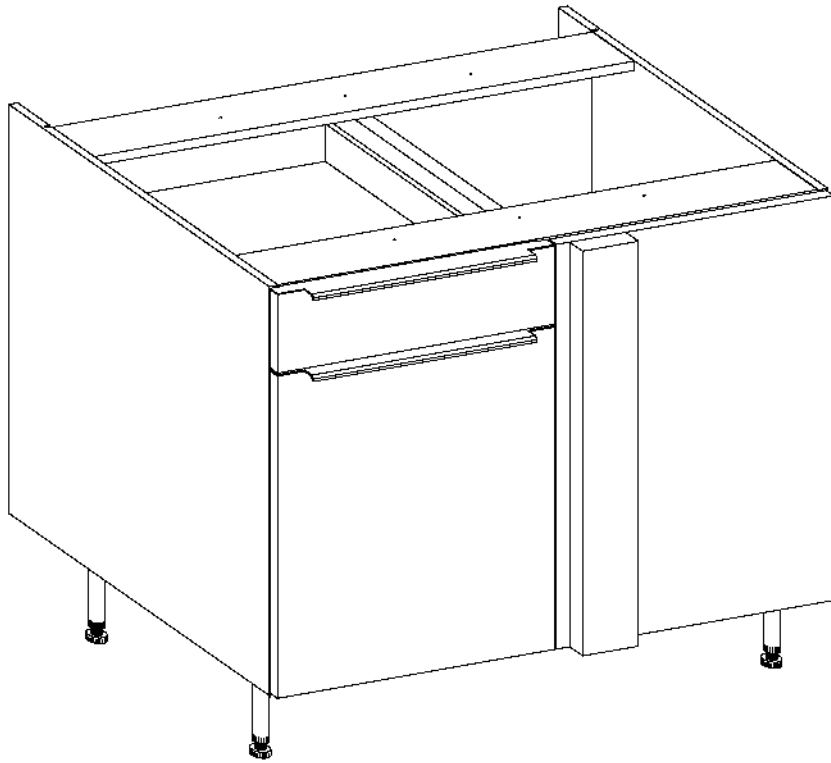
8 1 1 10 24 15-20 2 6 4 2 5

ISM-KUH-01596

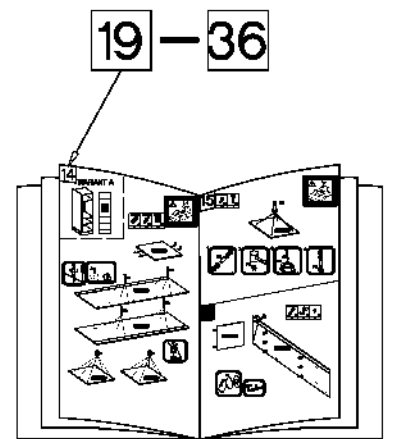
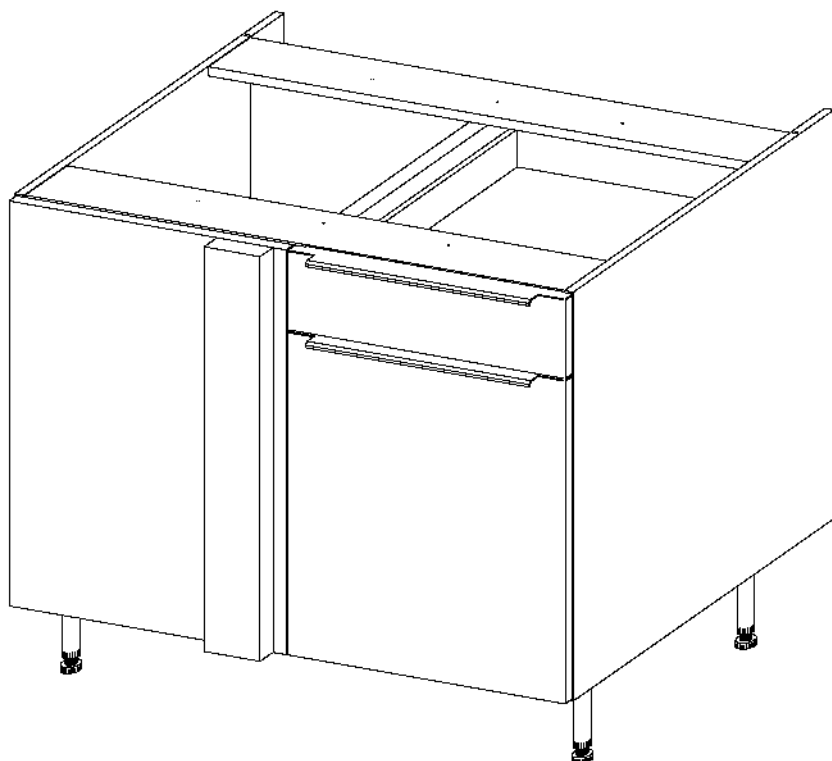


Colli	Spare Part	Dimension
Colli 1/2	KUH.10318	720x560x16
	KUH.10319	720x560x16
	KUH.30013	966x430x16
	KUH.40176	967x485x16
	KUH.60022 x2	713x491x2,5
	KUH.60274	448x437x2,5
	KUH.70742	568x496x16
	KUH.70746	138x496x16
	KUH.90259	713x496x16
	KUH.90260	713x100x28
	KUH.90262	480x125x32
	WST.0113	427x80x12
	WST.0115	450x80x12
WST.0116	450x80x12	
Colli 2/2	KUH.90022	967x90x16
	KUH.90023	967x90x16

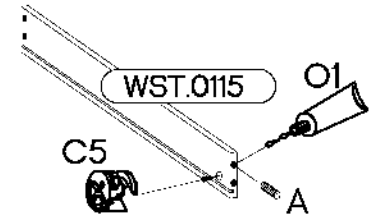
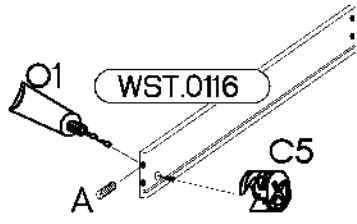
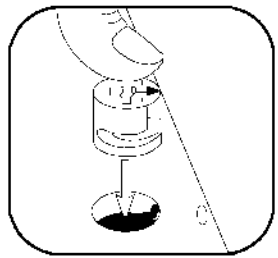
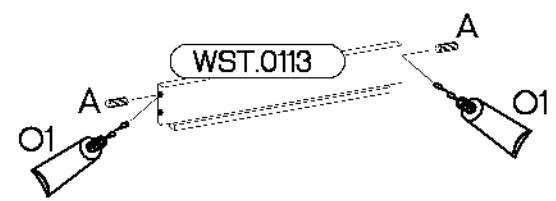
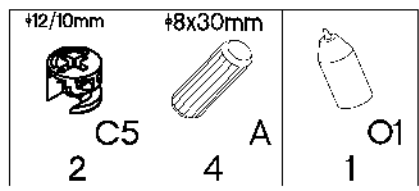
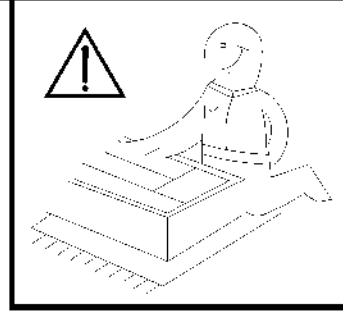
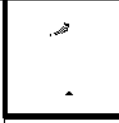
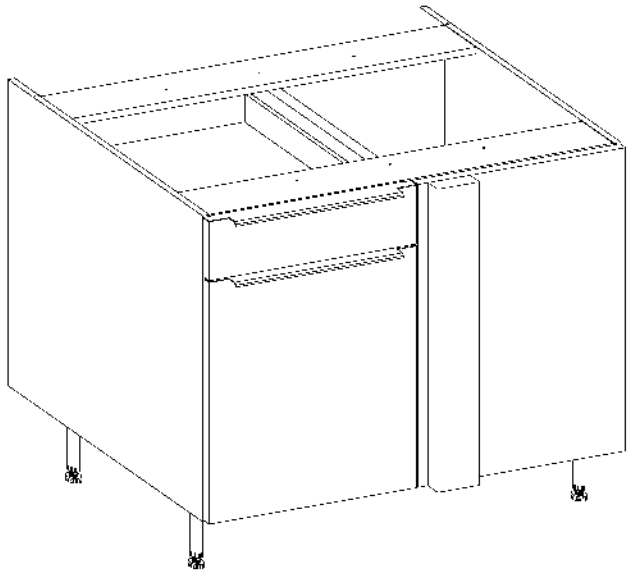
VARIANT L



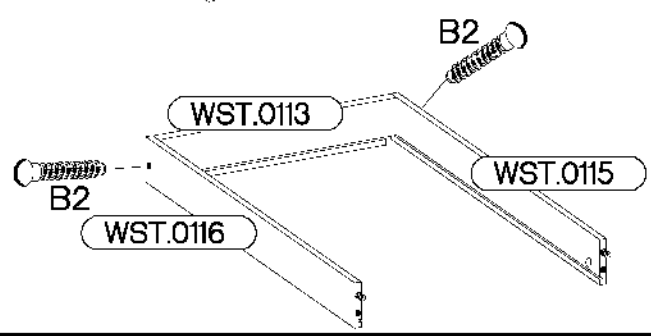
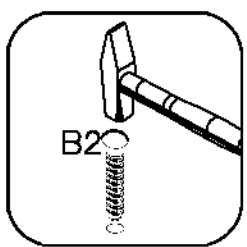
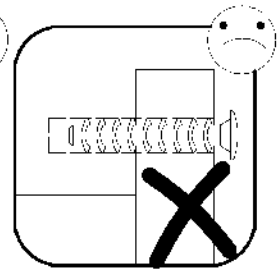
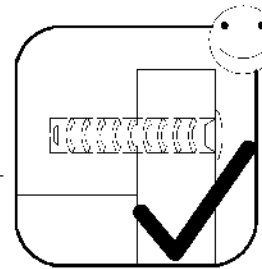
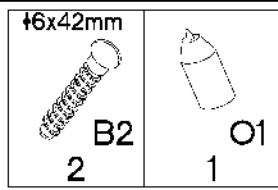
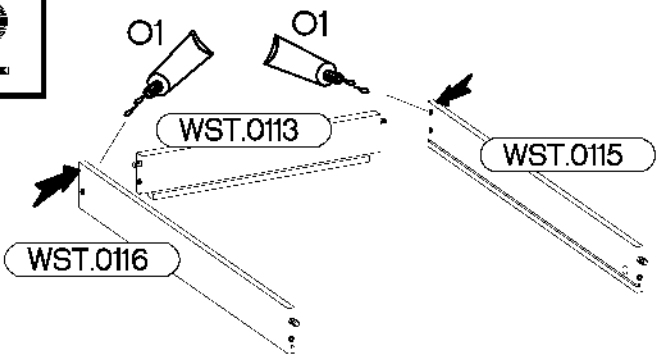
VARIANT R



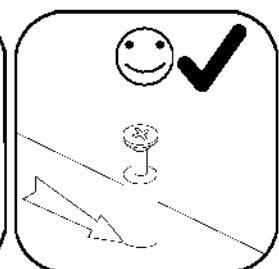
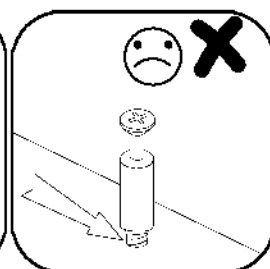
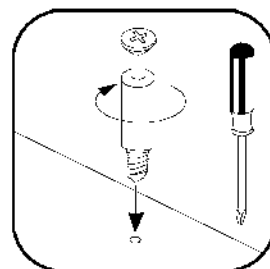
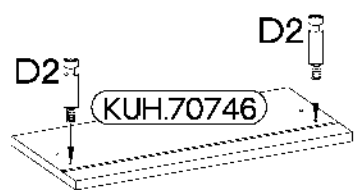
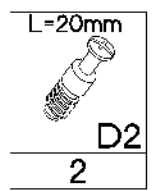
VARIANT L



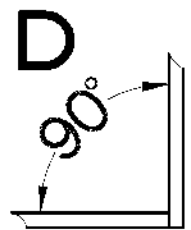
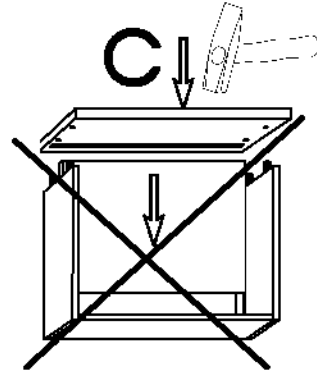
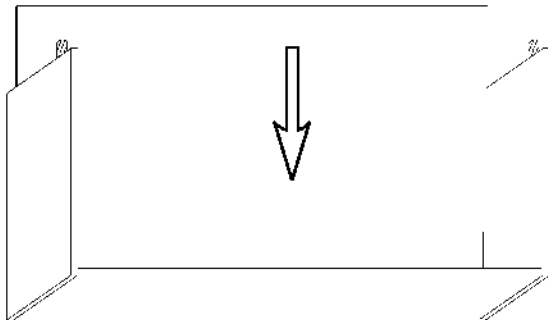
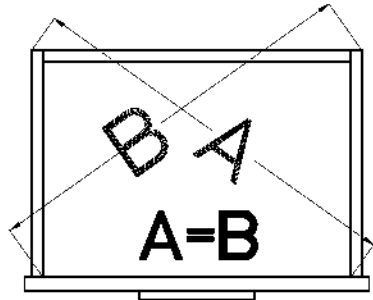
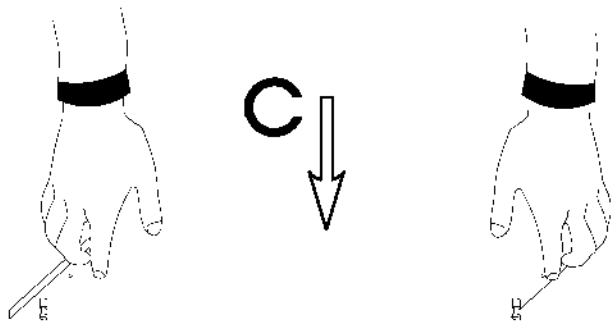
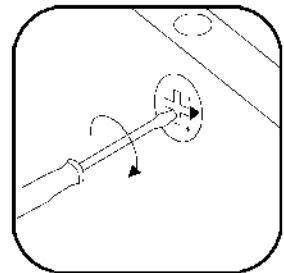
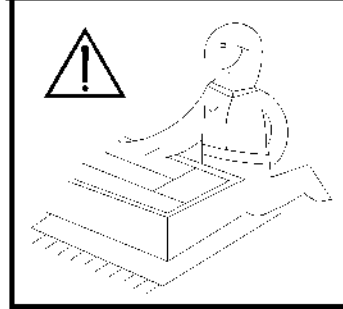
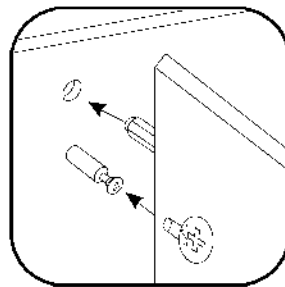
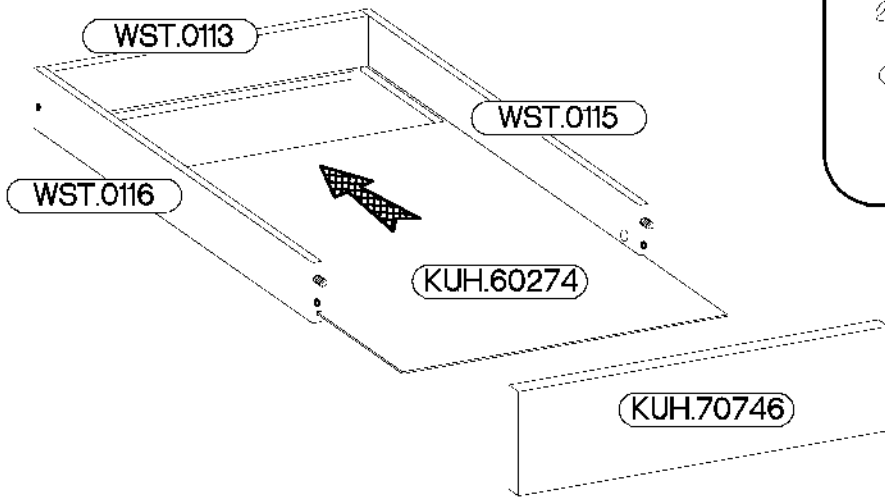
2



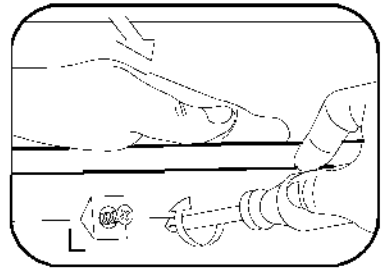
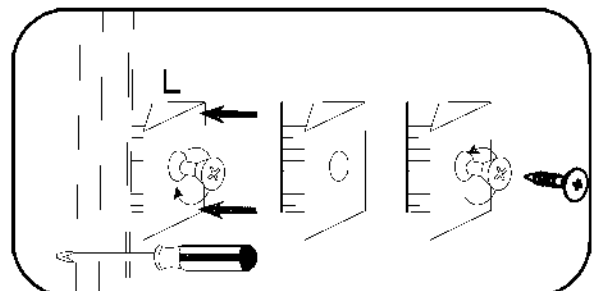
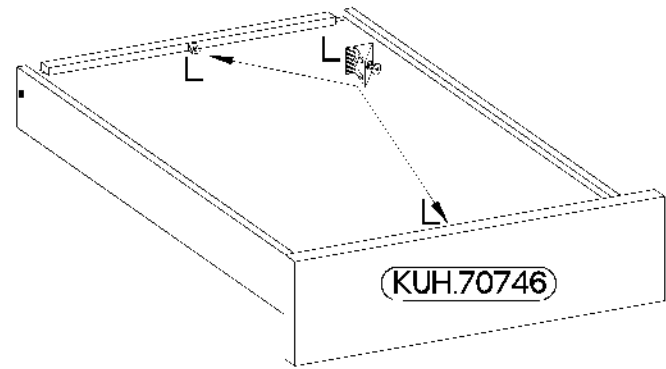
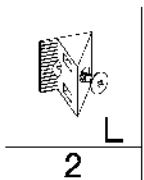
3



4



5



6

±8x30mm



4

L



A L=450mm

1

R

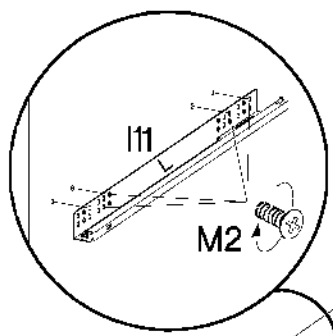
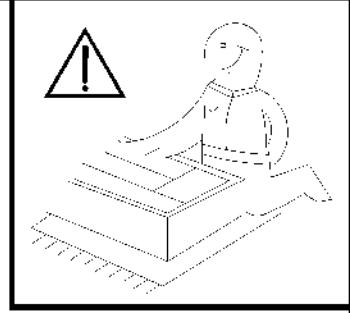
I11

±6.3x13mm



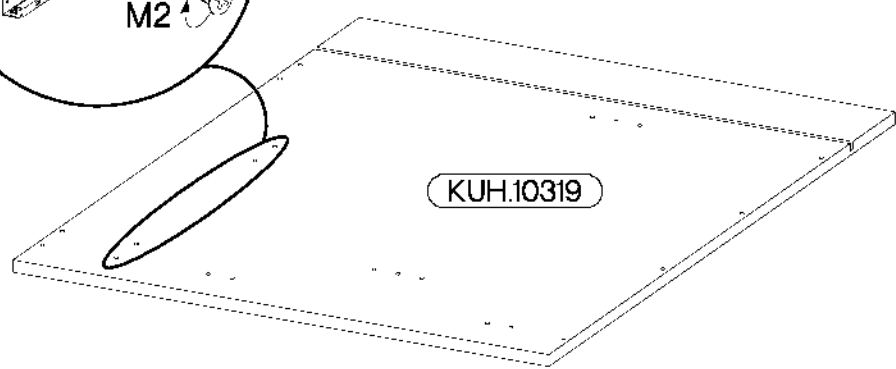
8

M2

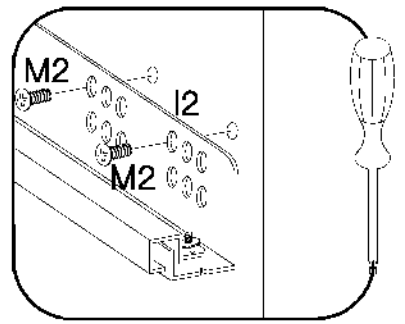


I11

M2



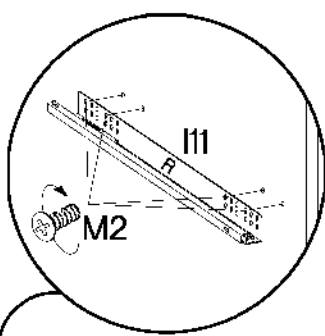
KUH.10319



M2

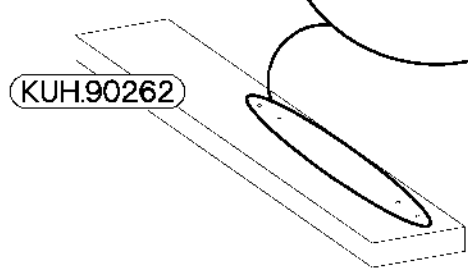
I2

M2

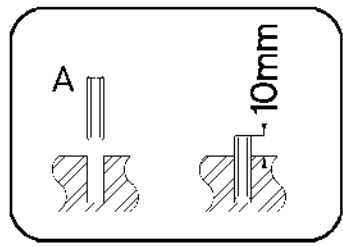


M2

I11

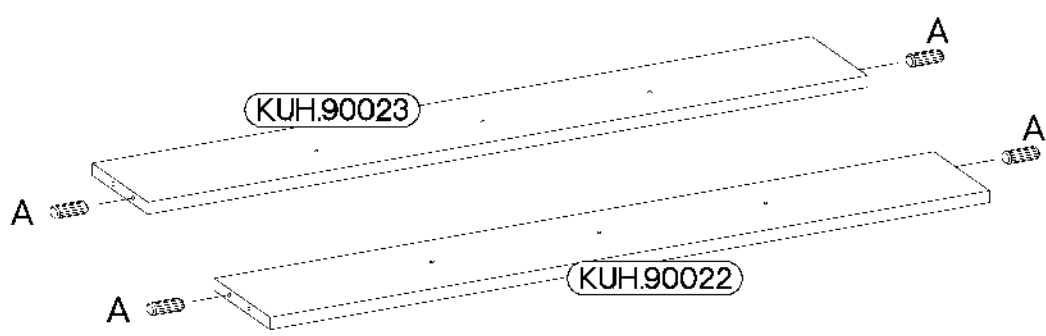


KUH.90262



A

L=10mm



KUH.90023

KUH.90022

A

A

A

A



φ3.5x13mm



P5

16



F15

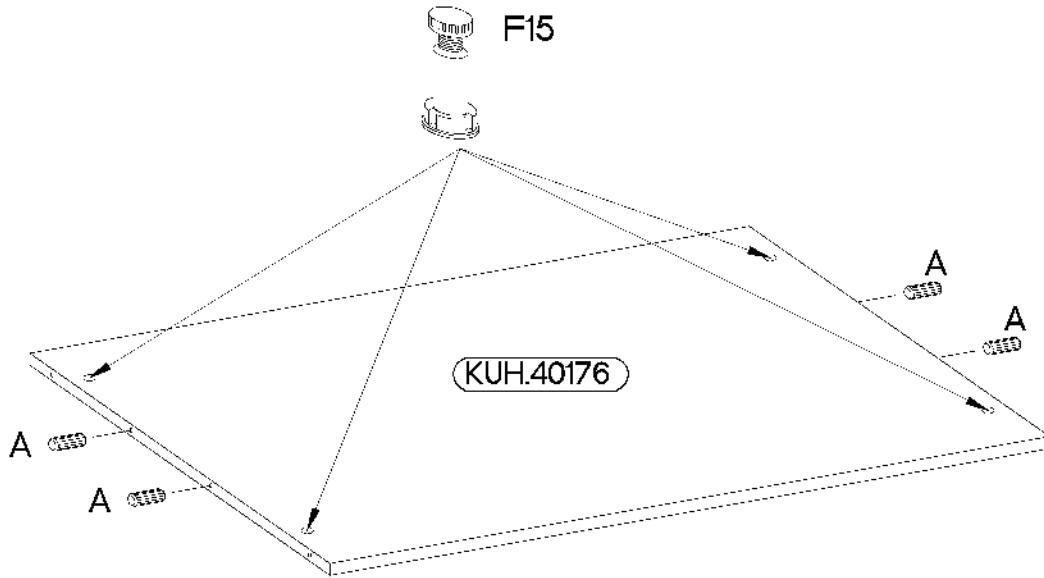
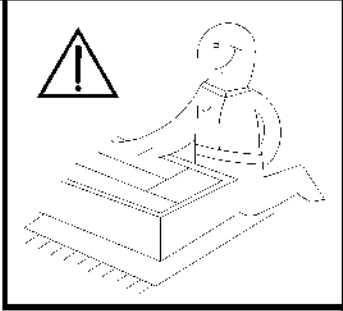
4

φ8x30mm

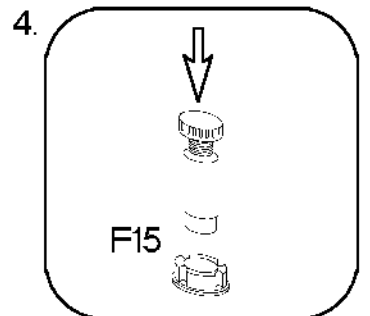
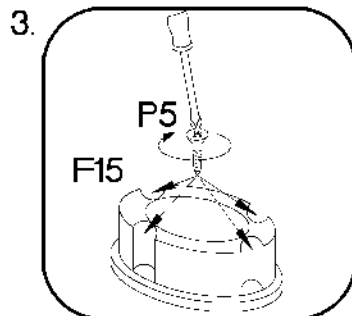
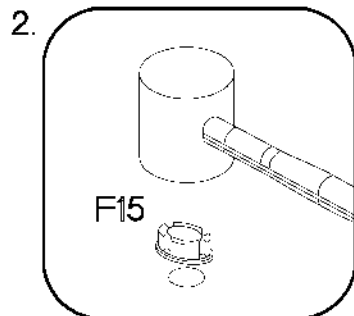
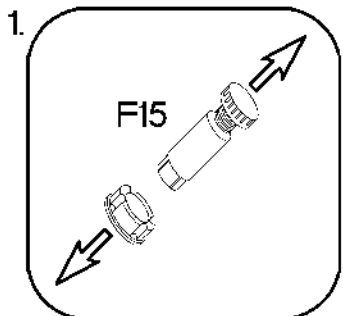
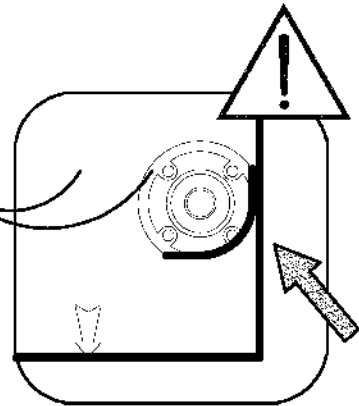


A

4



967





6,4 x 50mm



B

4



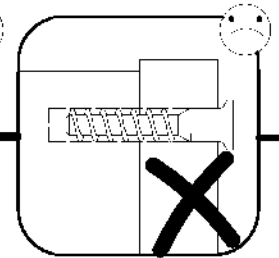
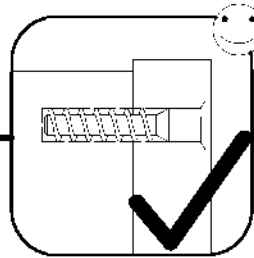
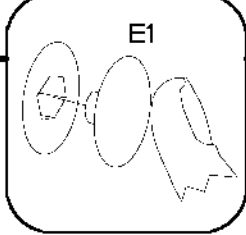
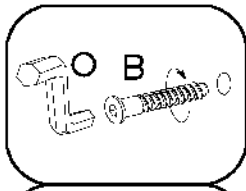
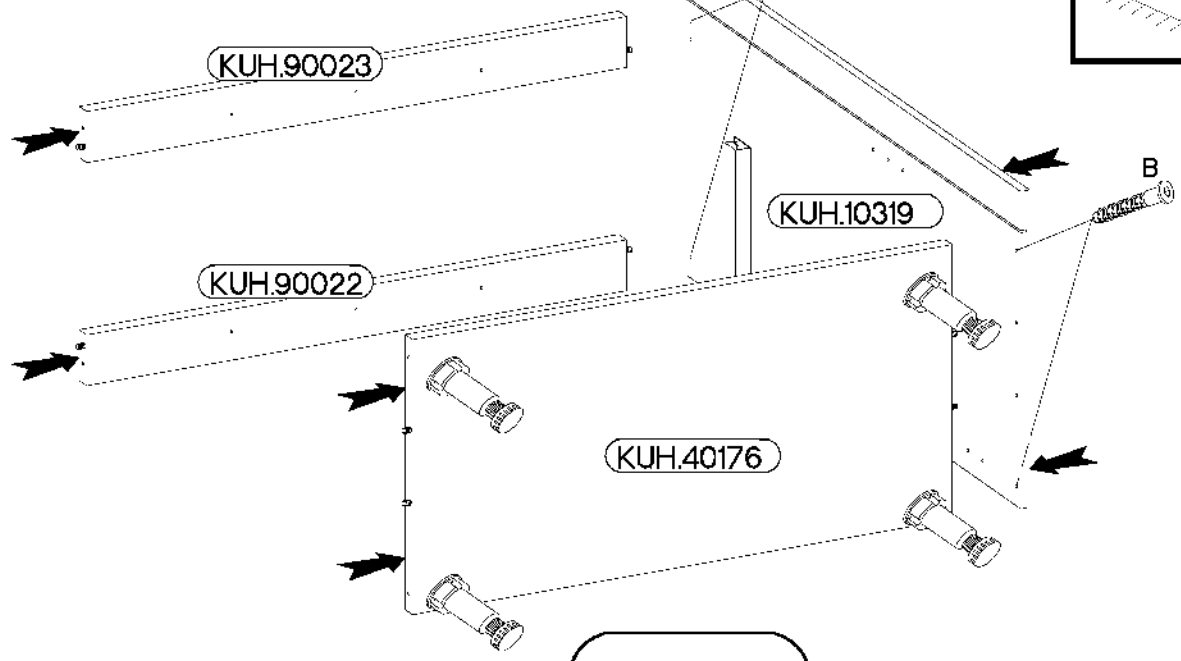
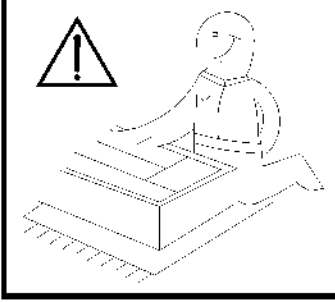
O

1



E1

4



6,4 x 50mm



B

4



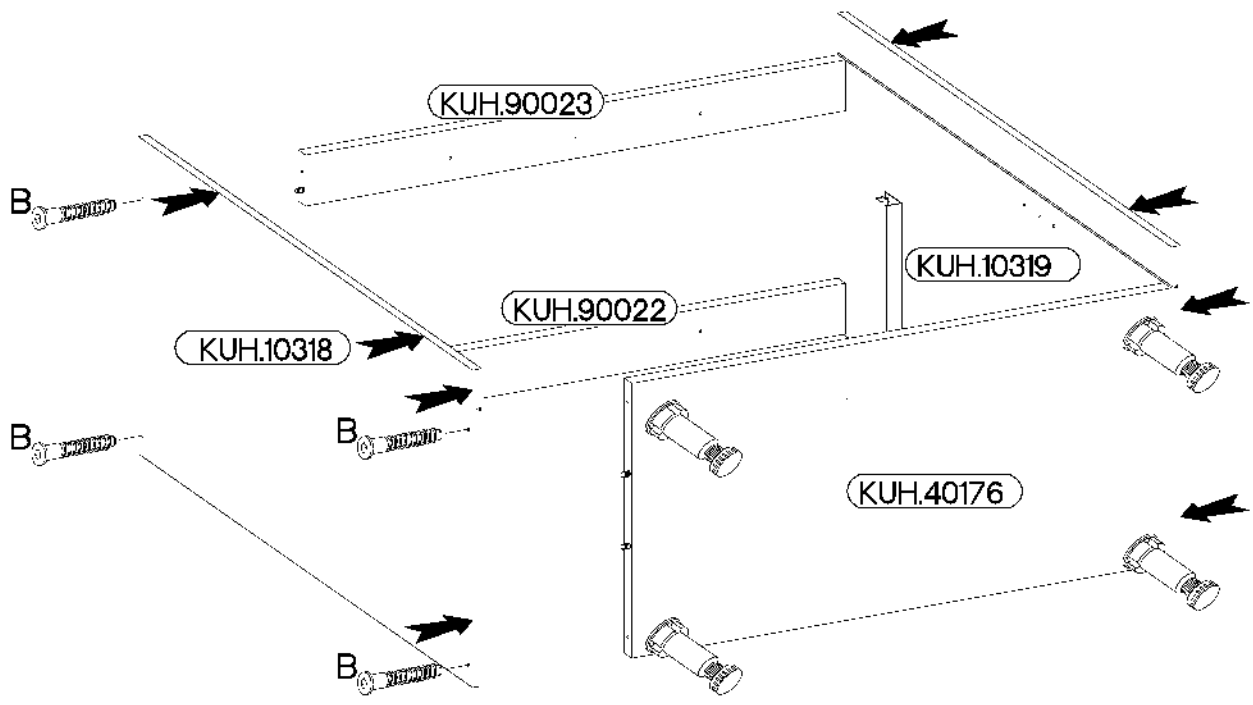
O

1



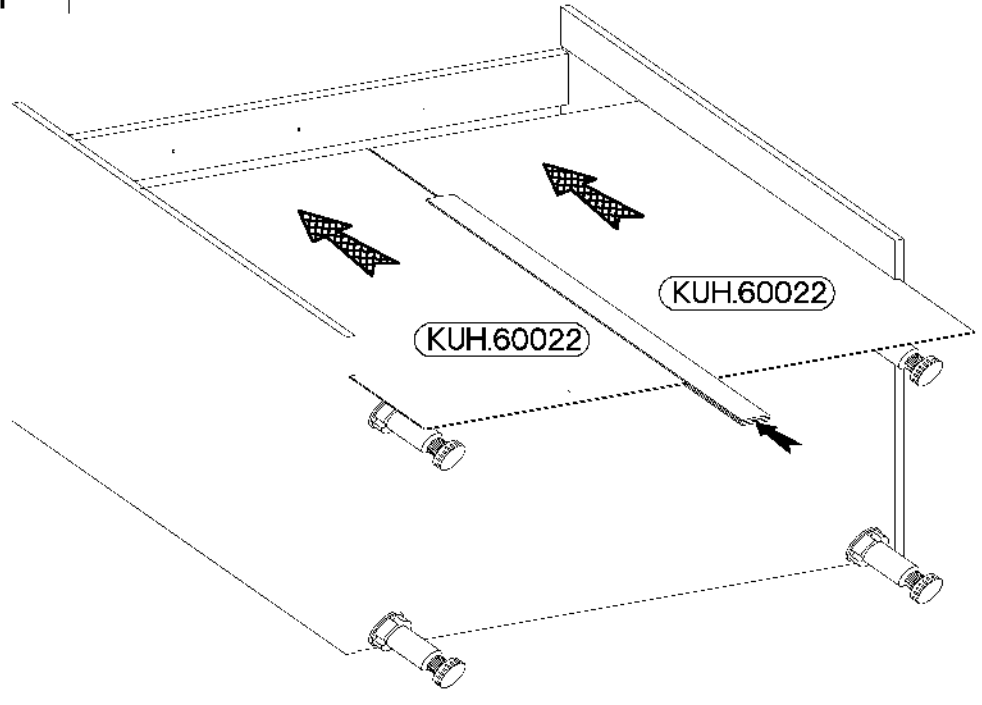
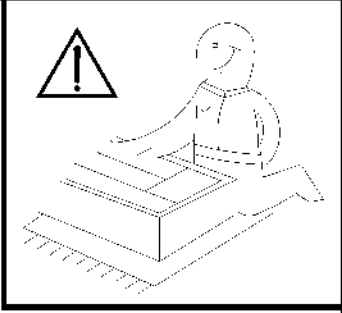
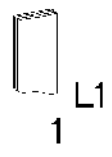
E1

4



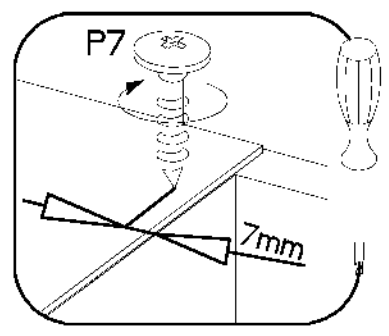
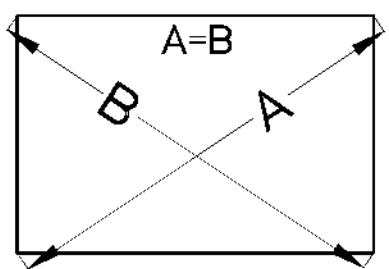
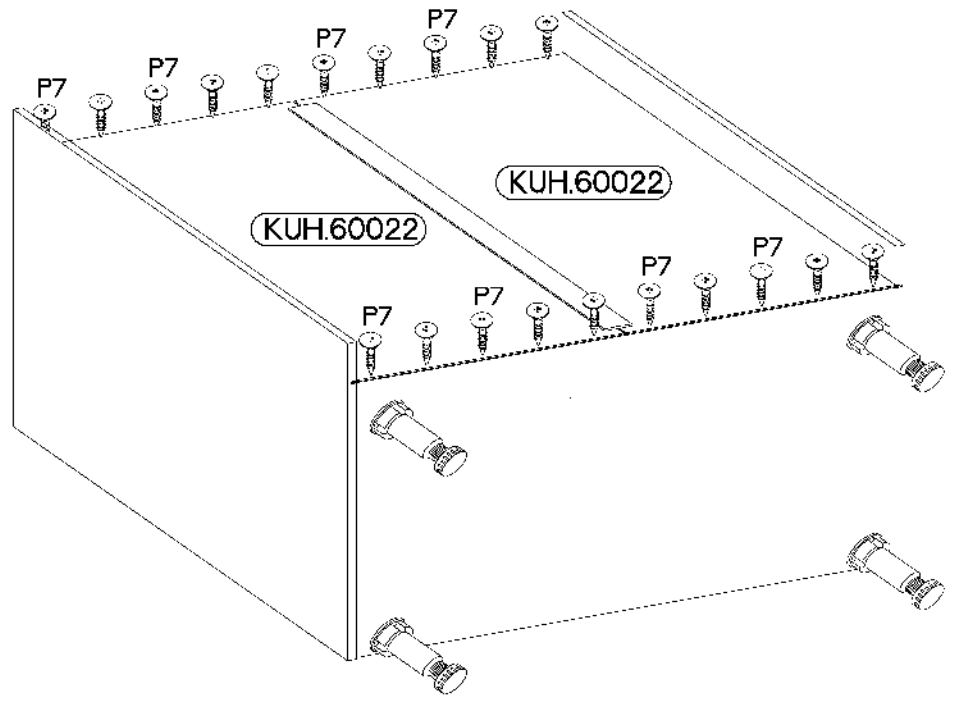
10

L=680mm

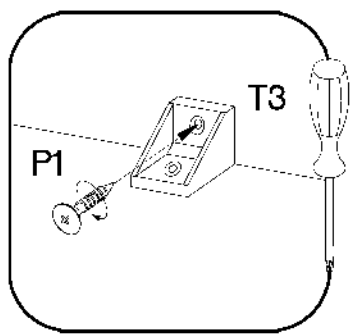
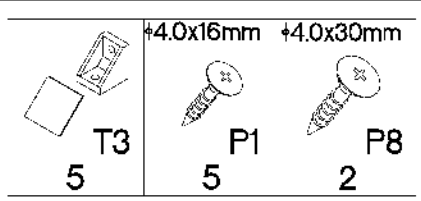


11

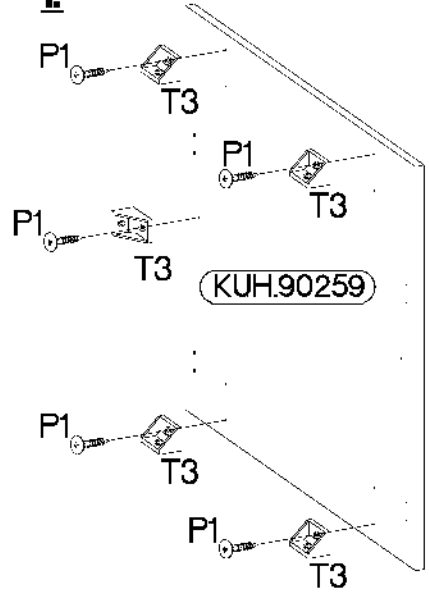
3.0x20mm



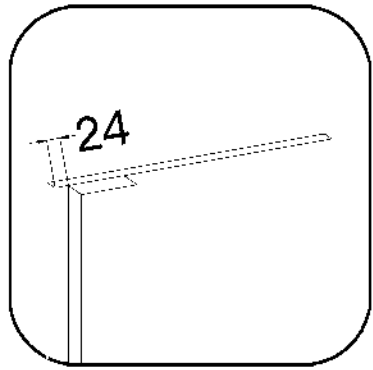
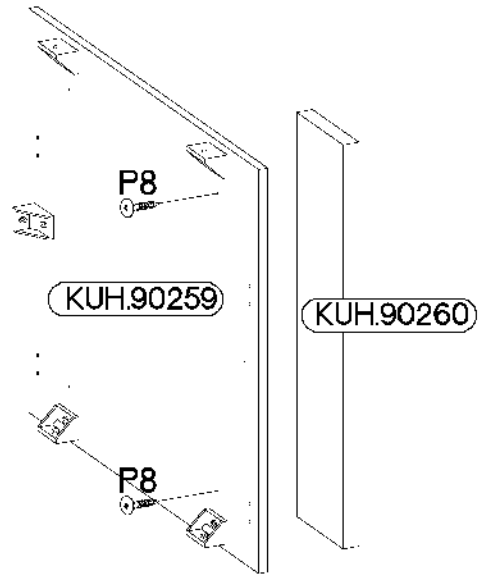
2



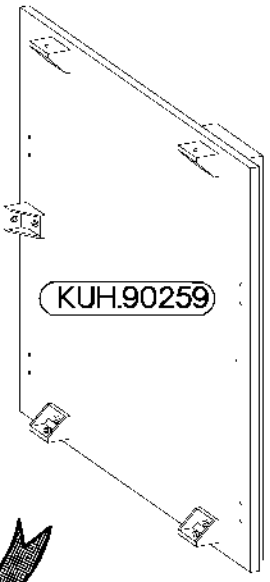
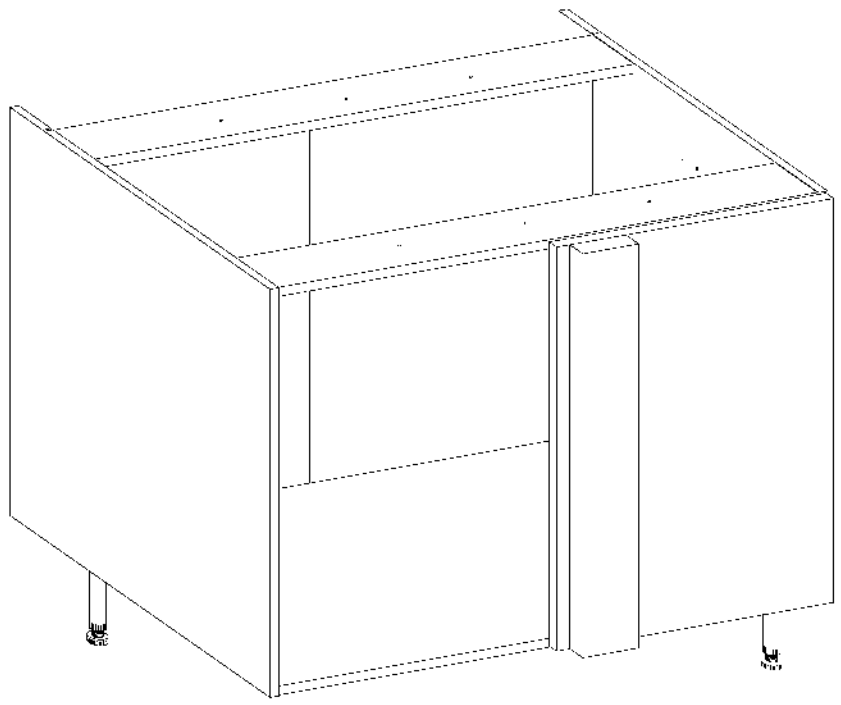
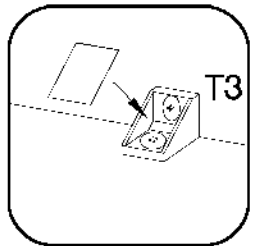
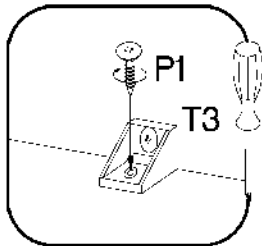
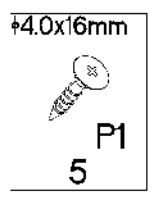
1



2



3



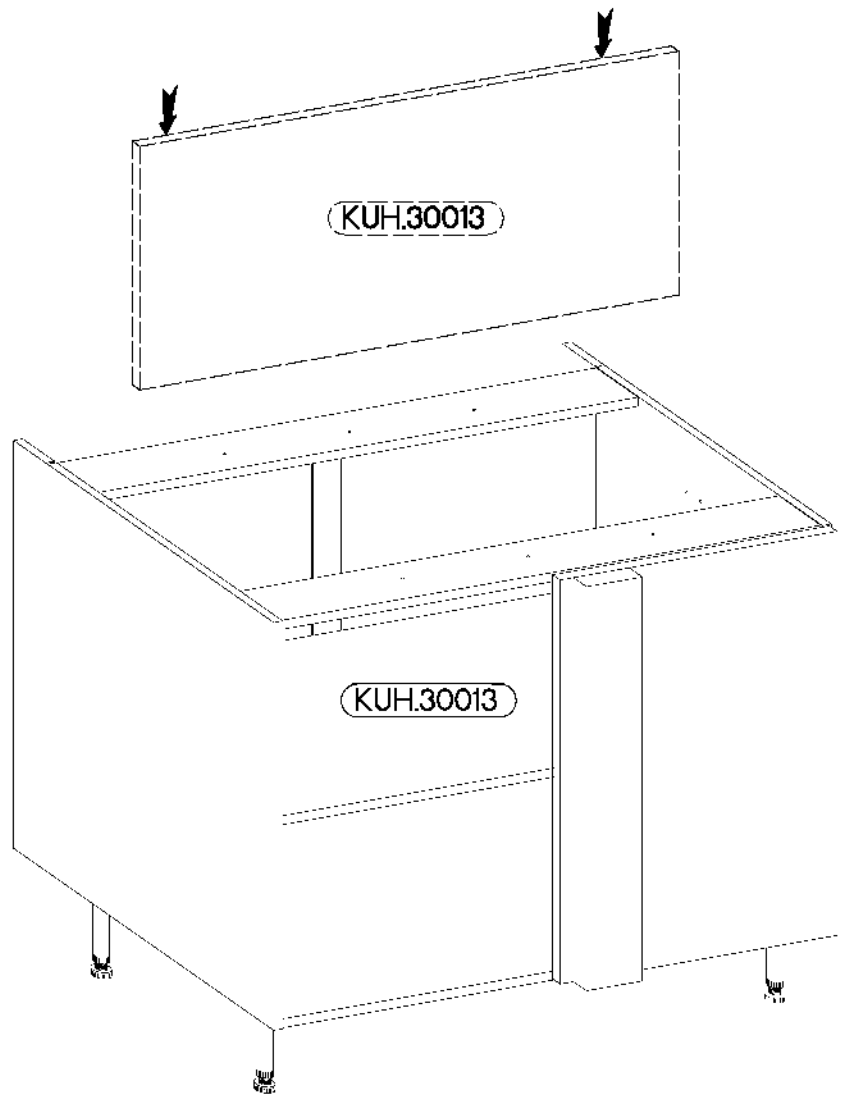
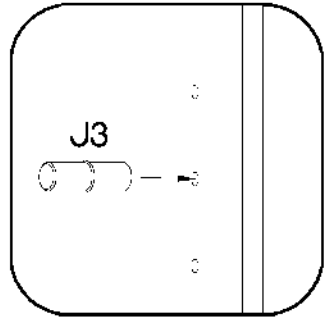
14

±5/16mm



J3

4



15

6,4 x 50mm



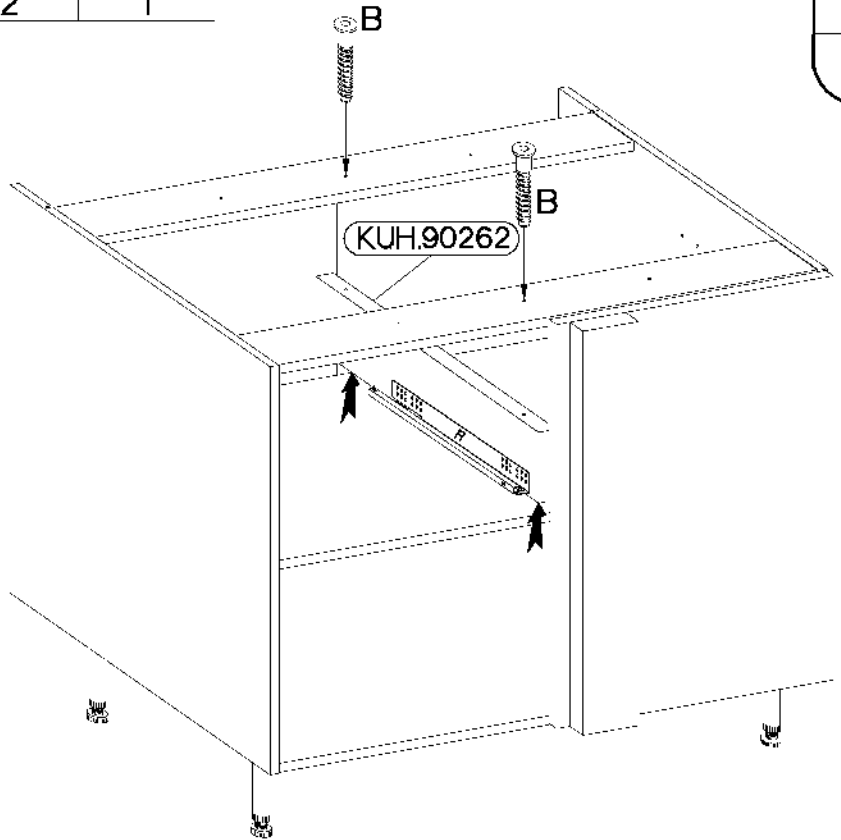
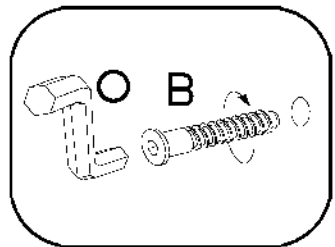
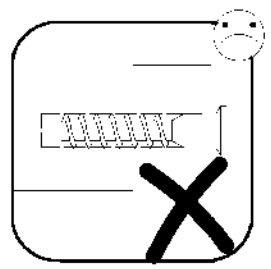
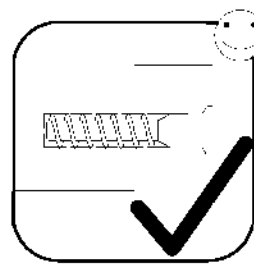
2

B



1

O



±4.0x35mm

±3.5x13mm



R3

4



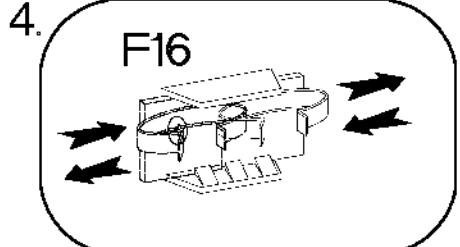
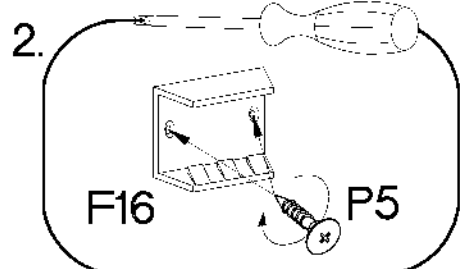
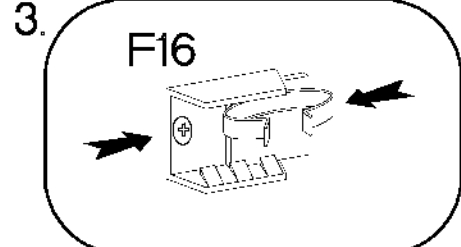
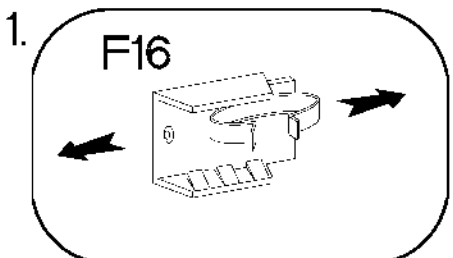
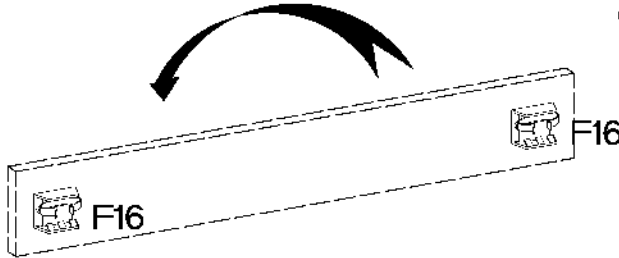
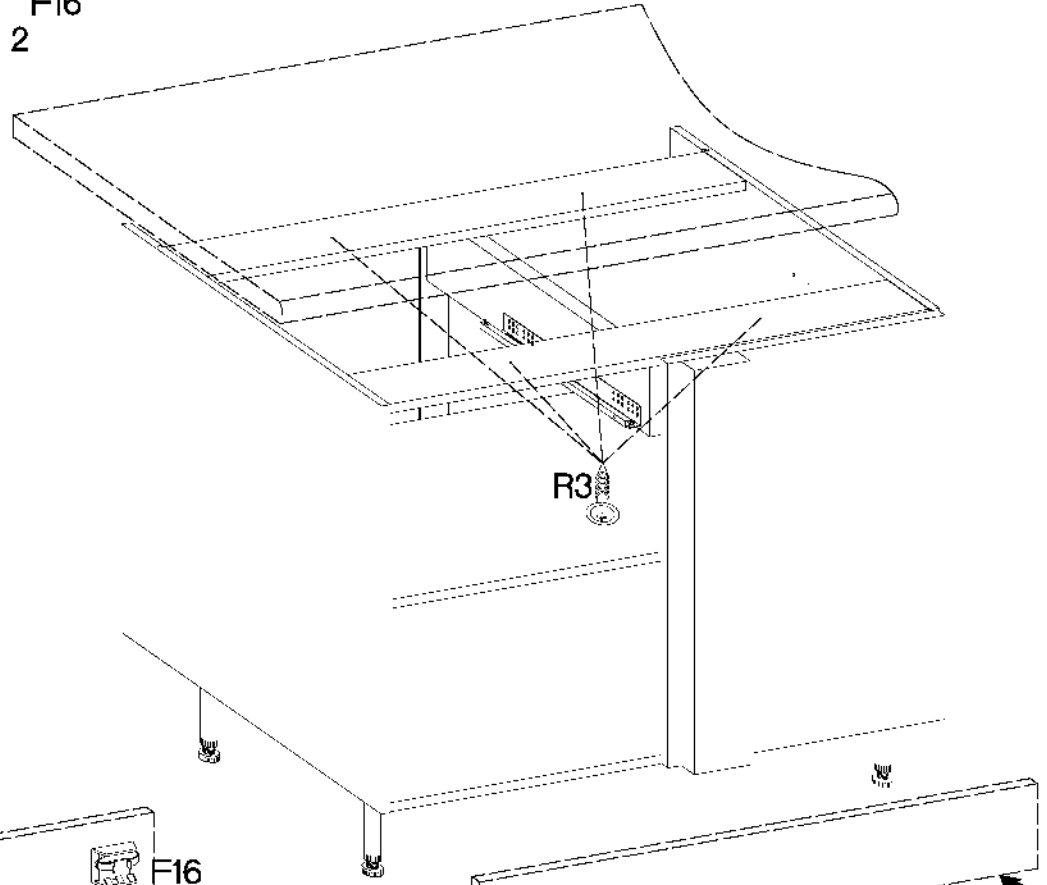
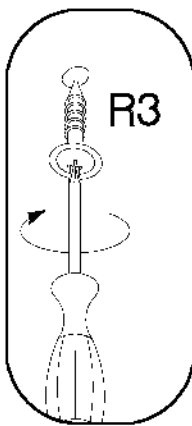
P5

4



F16

2



±35/90°

±3.5x13mm



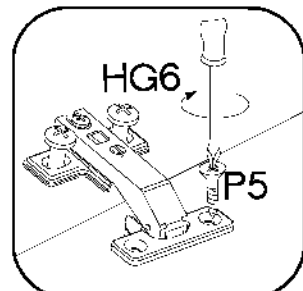
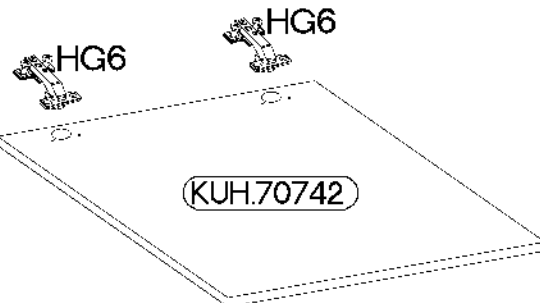
HG6



2

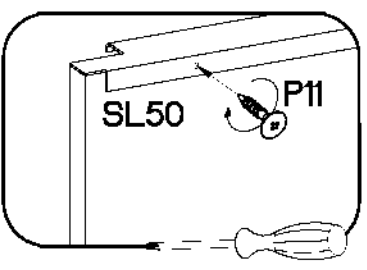
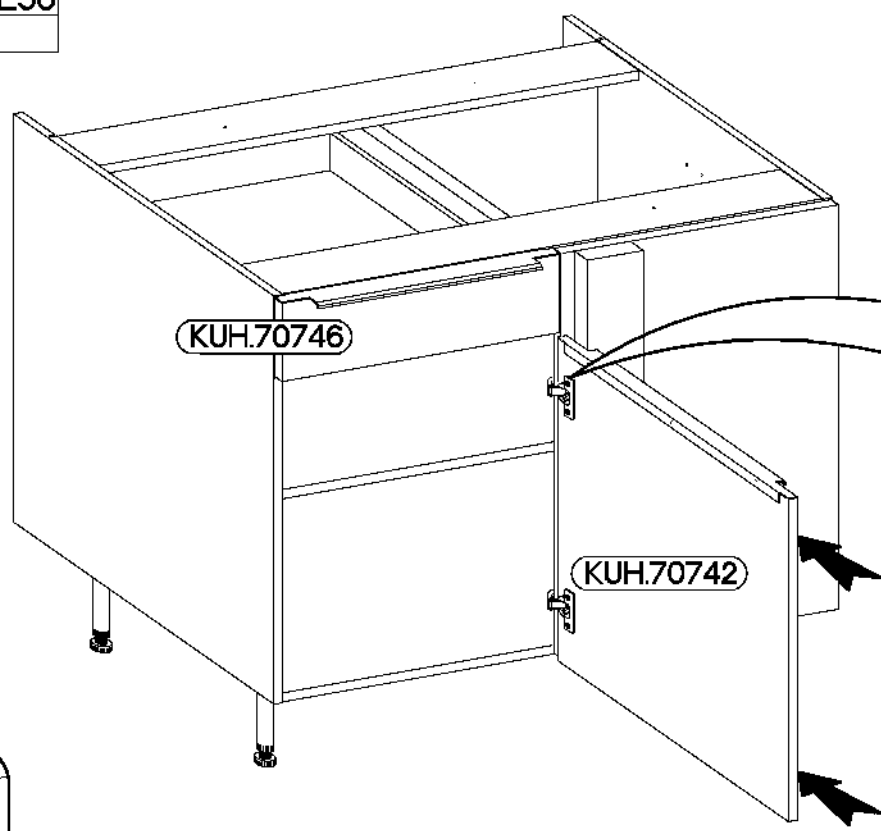


P5

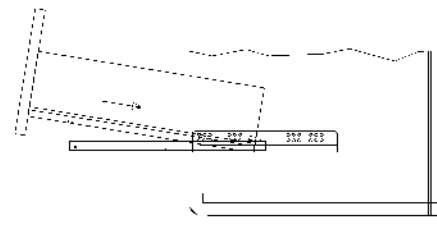
4



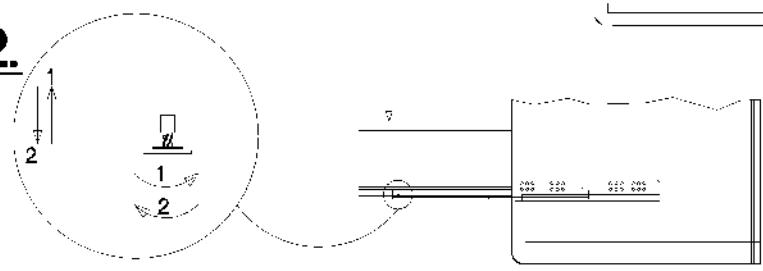
3.0x16mm	L=495mm
	
P11	SL50
6	2



1.

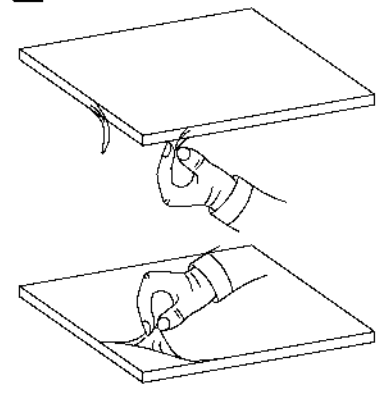


2.



VARIANT HIGH GLOSS

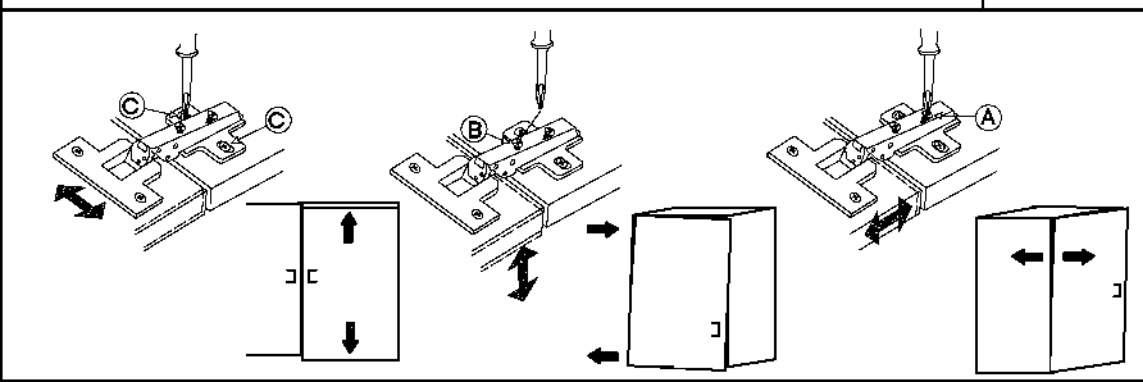
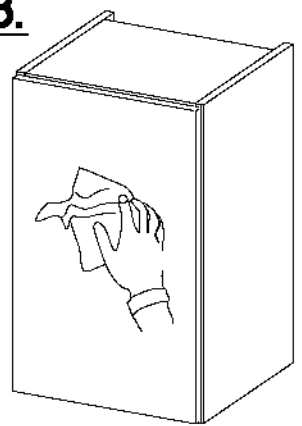
1.



2.

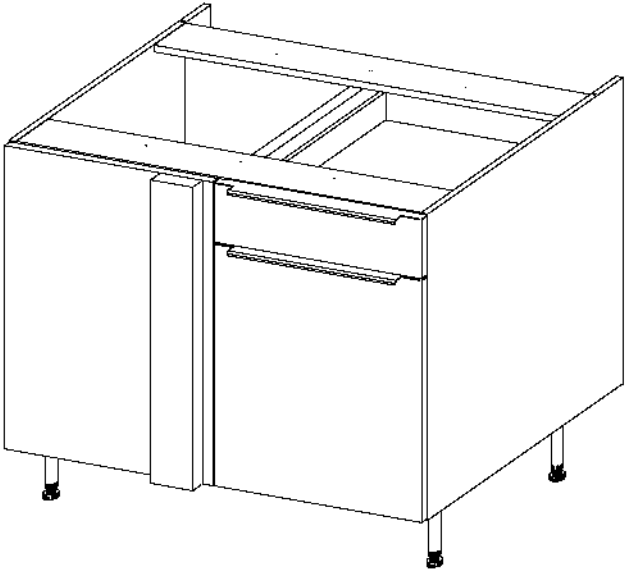
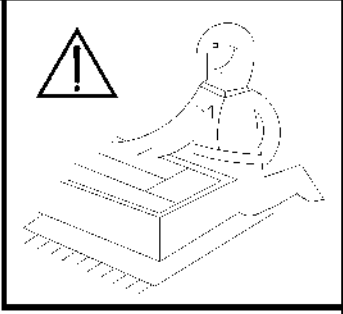


3.

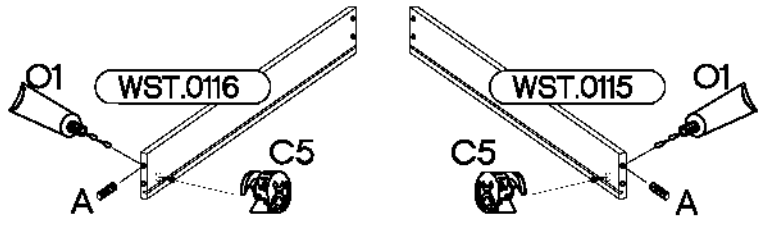
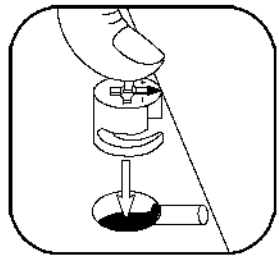
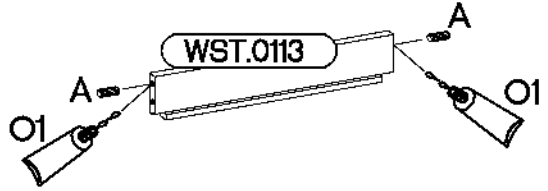


VARIANT R

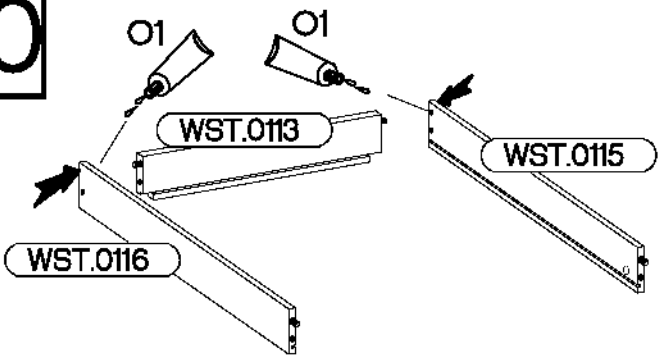
19



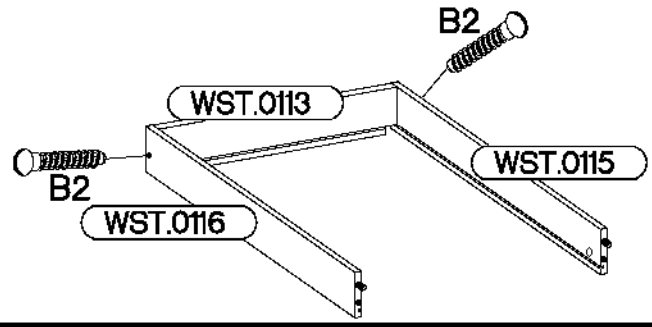
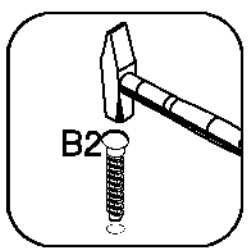
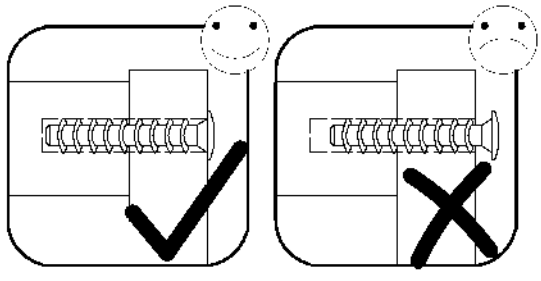
†12/10mm C5 2	†8x30mm A 4	 O1 1
--------------------------------	------------------------------	--------------------



20

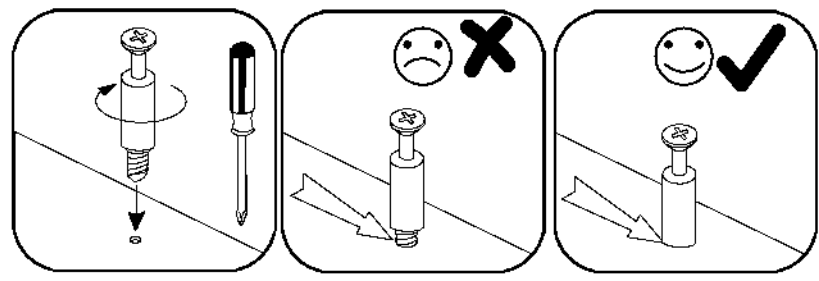
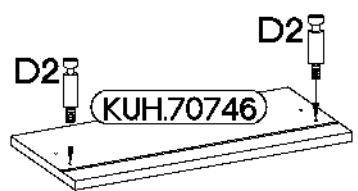


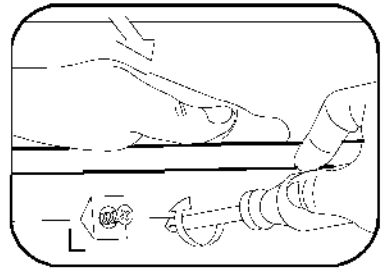
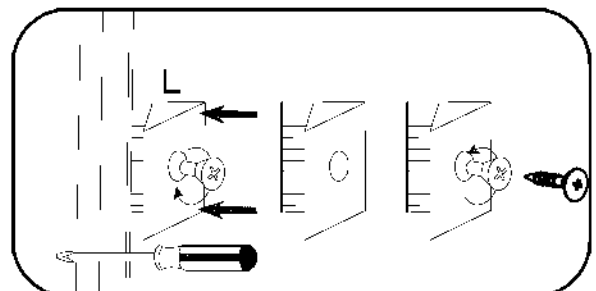
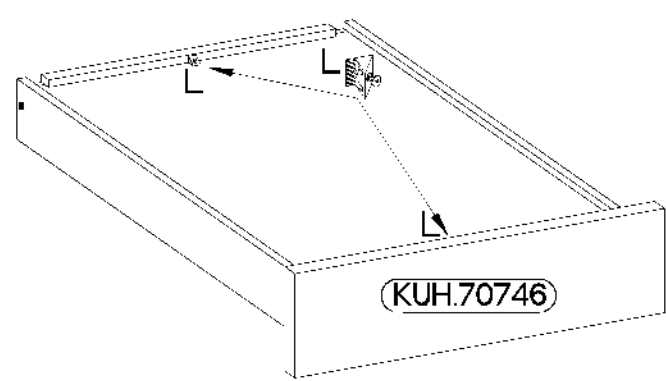
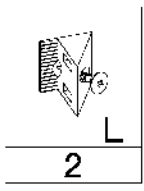
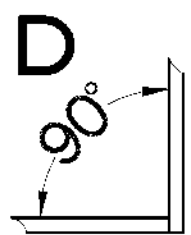
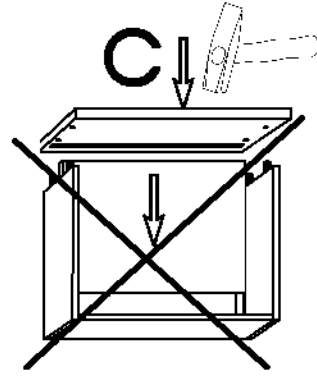
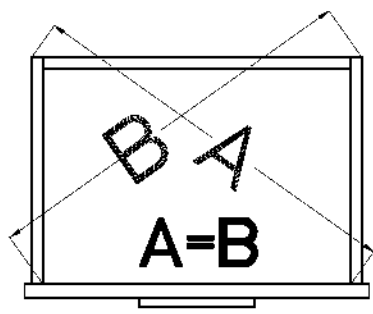
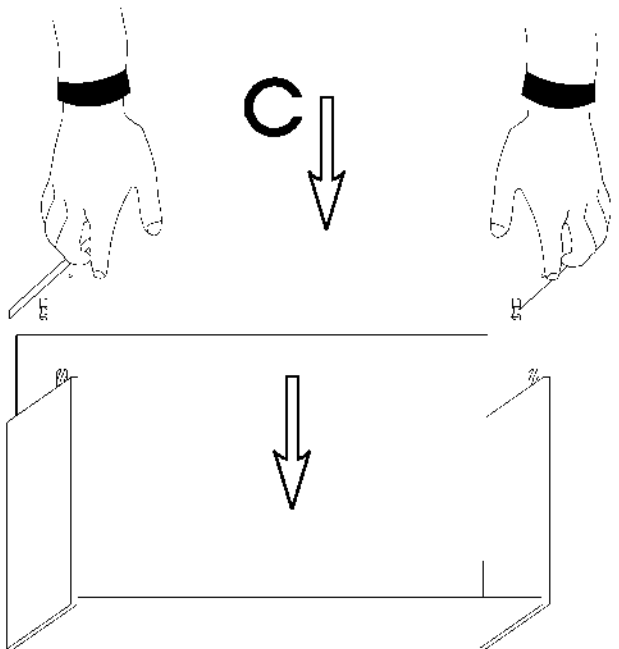
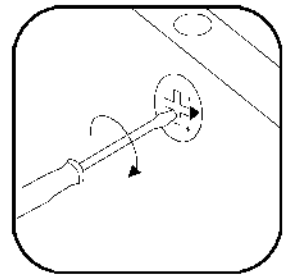
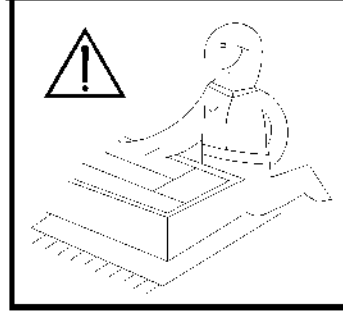
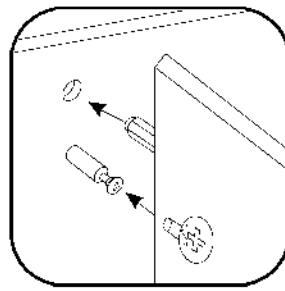
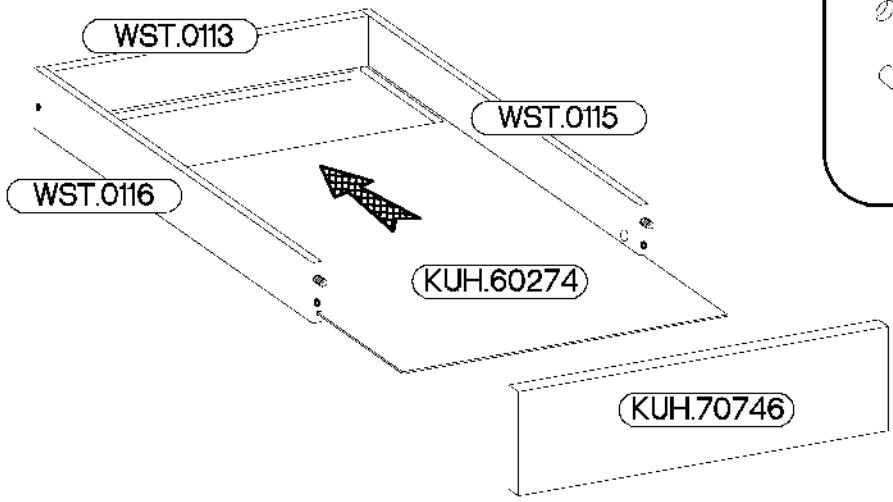
†6x42mm B2 2	 O1 1
-------------------------------	--------------------

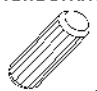



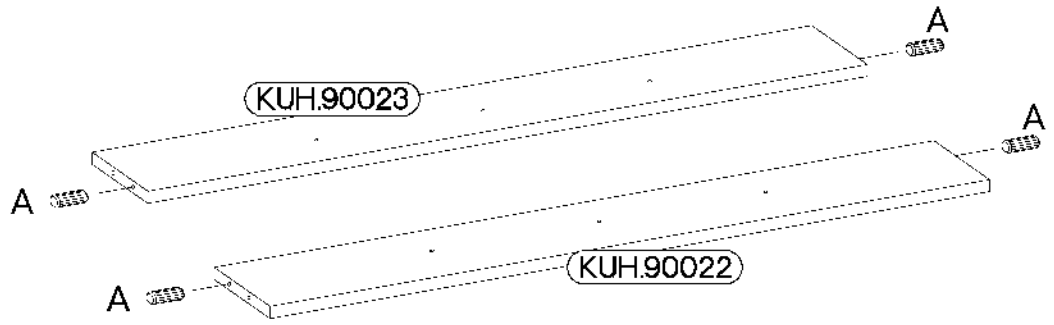
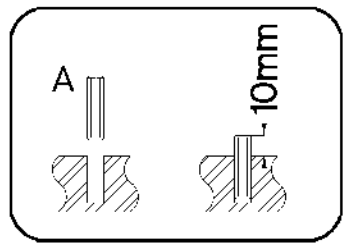
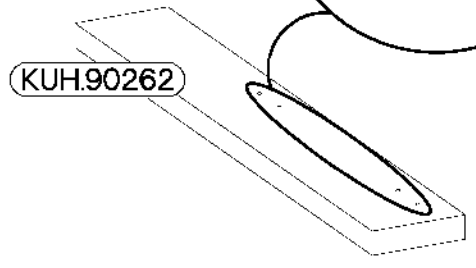
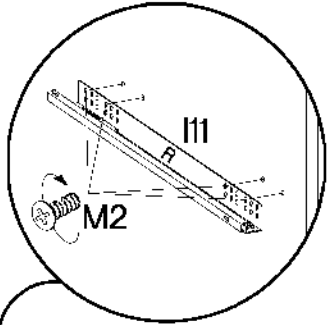
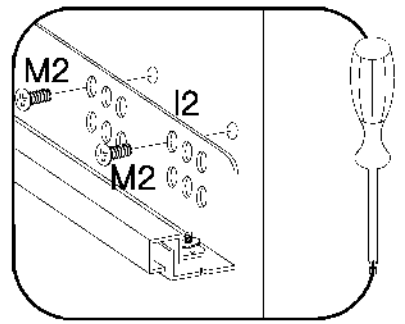
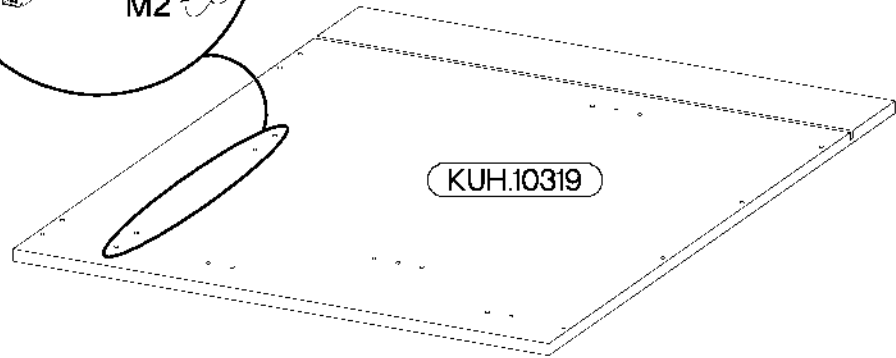
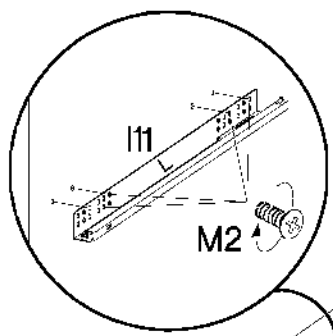
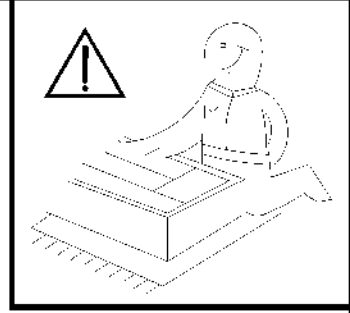
21

L=20mm D2 2





$\varnothing 8 \times 30 \text{mm}$	$\varnothing 6.3 \times 13 \text{mm}$
	
A	M2
L=450mm	
4	8



±3.5x13mm

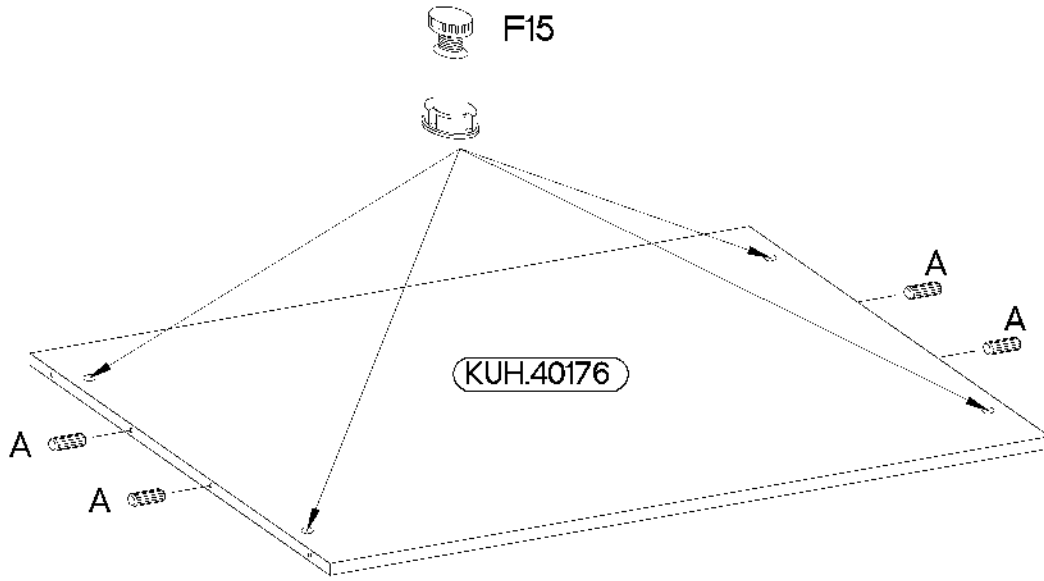
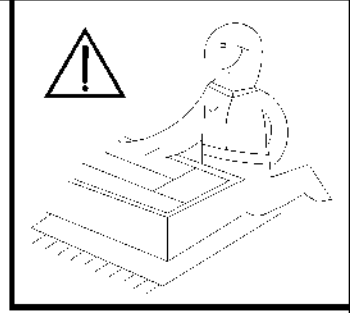


F15
4

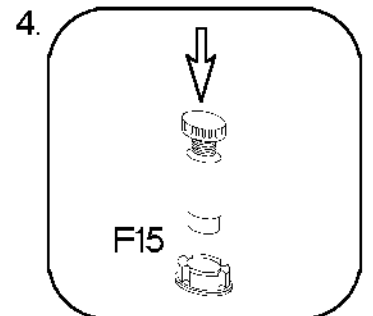
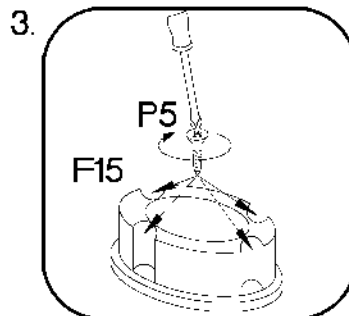
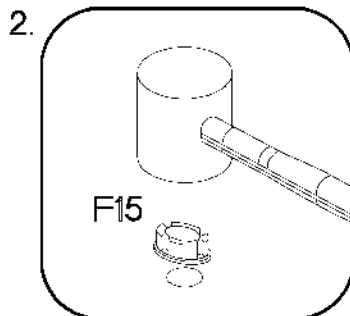
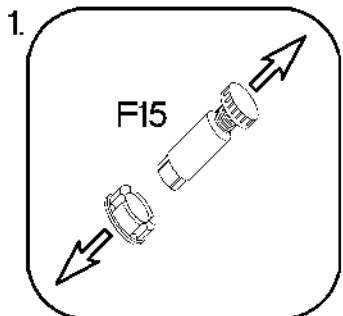
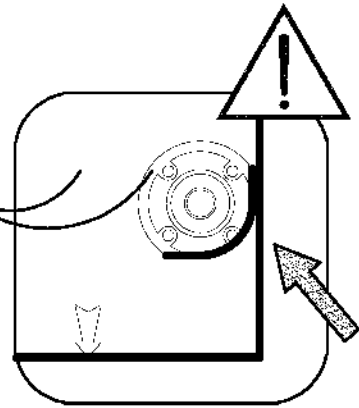
±8x30mm



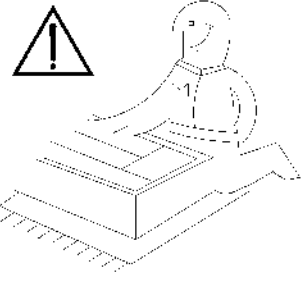
A
4


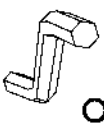



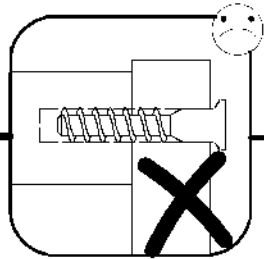
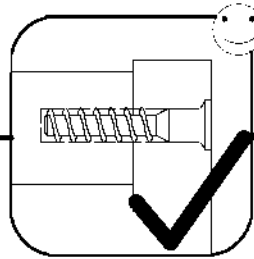
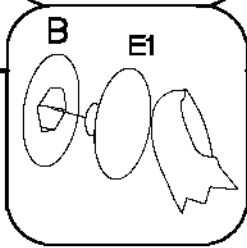
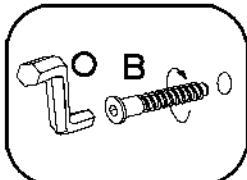
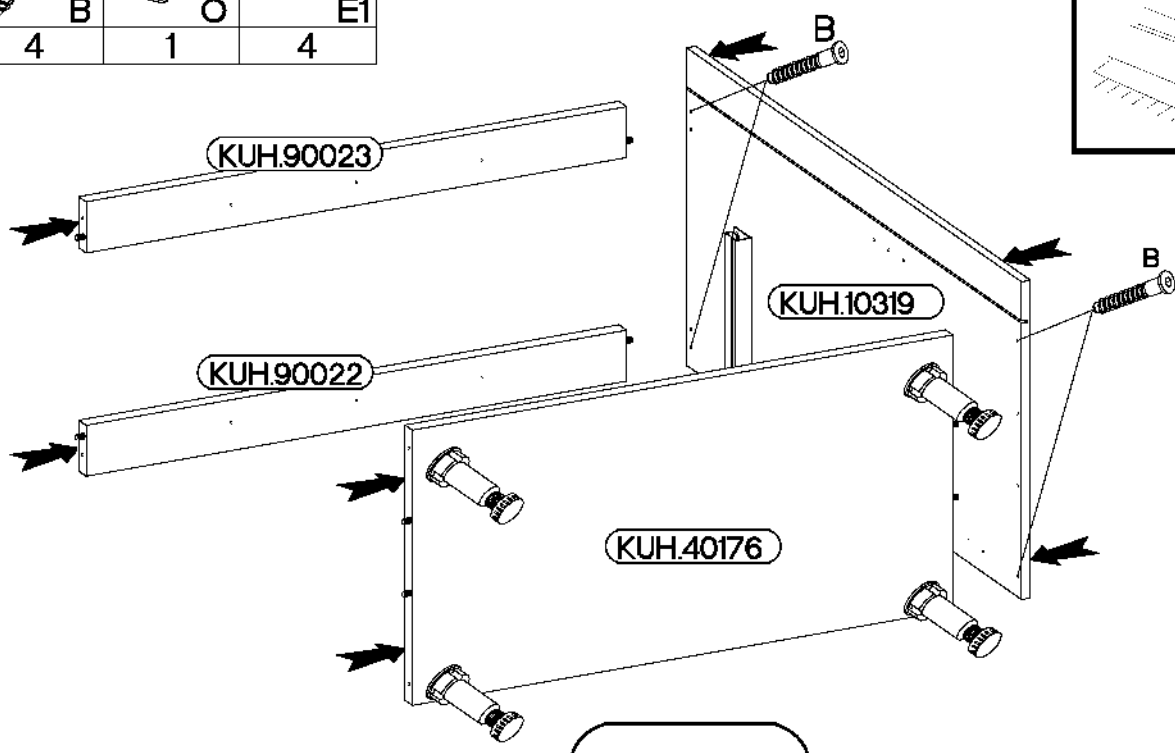
967




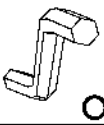

26

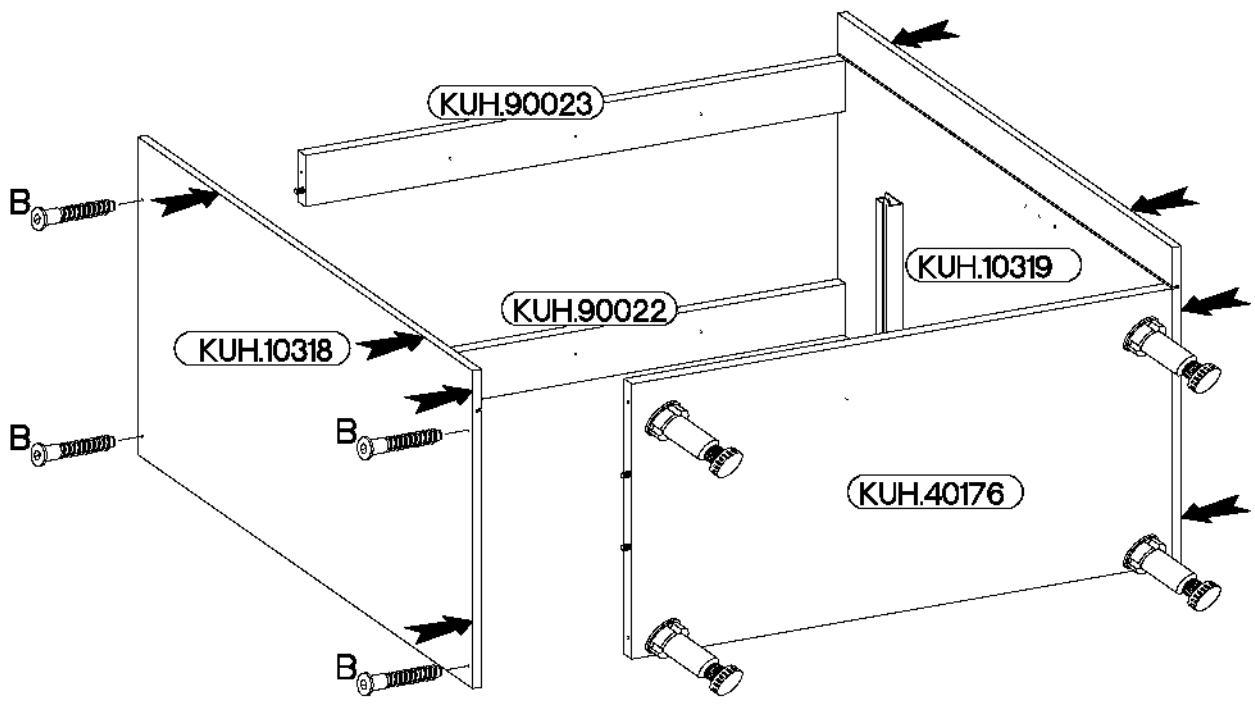


6,4 x 50mm		
		
B	O	E1
4	1	4



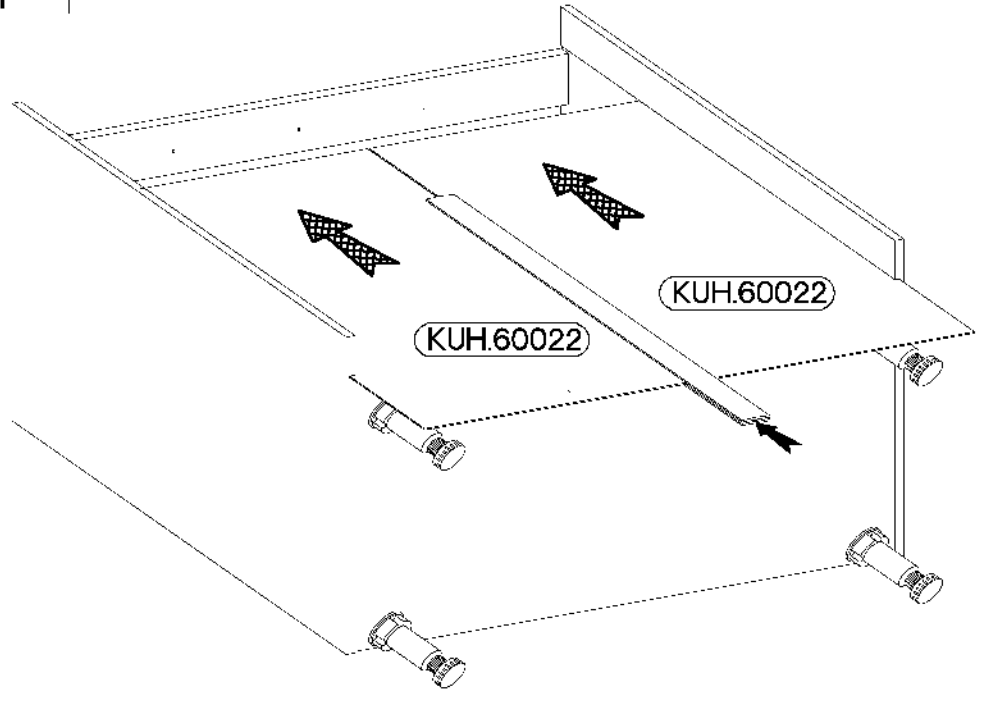
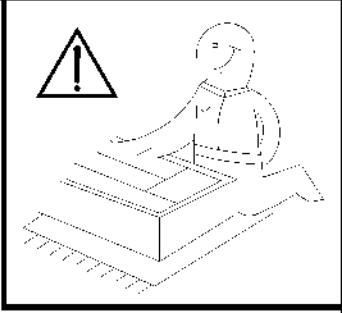
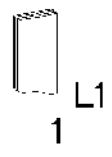
27

6,4 x 50mm		
		
B	O	E1
4	1	4



28

L=680mm



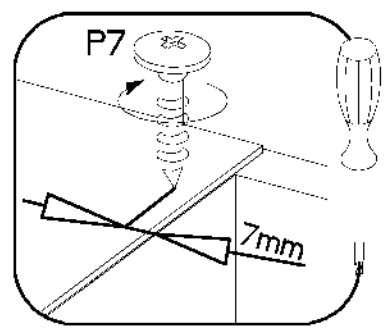
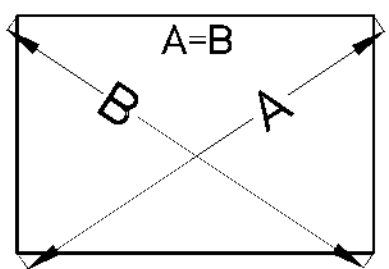
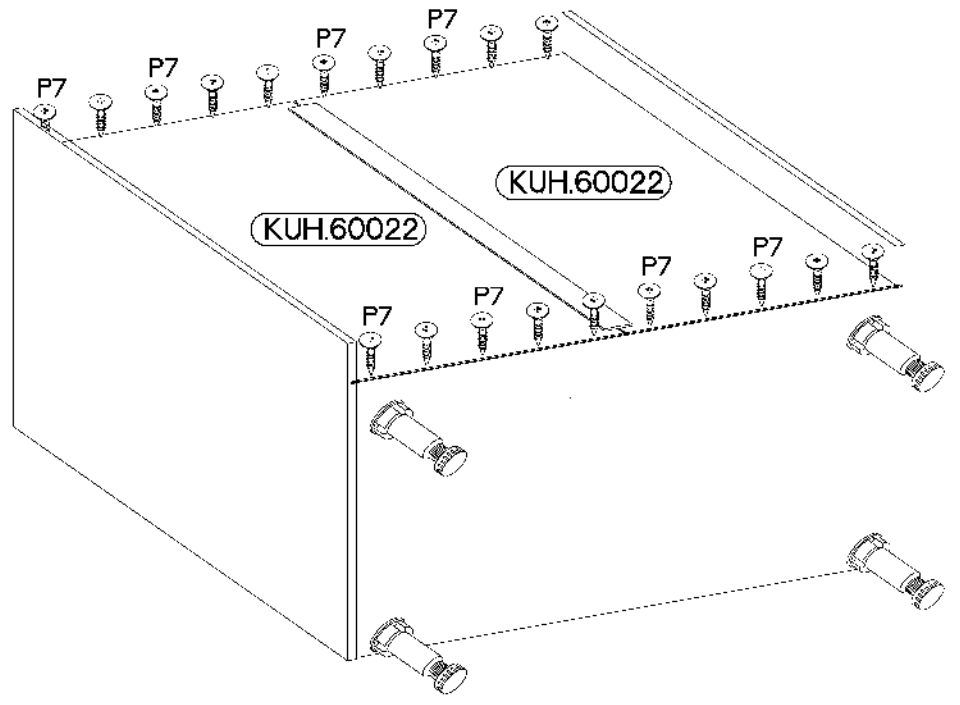
29


3.0x20mm

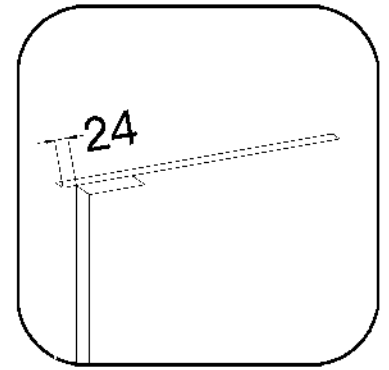
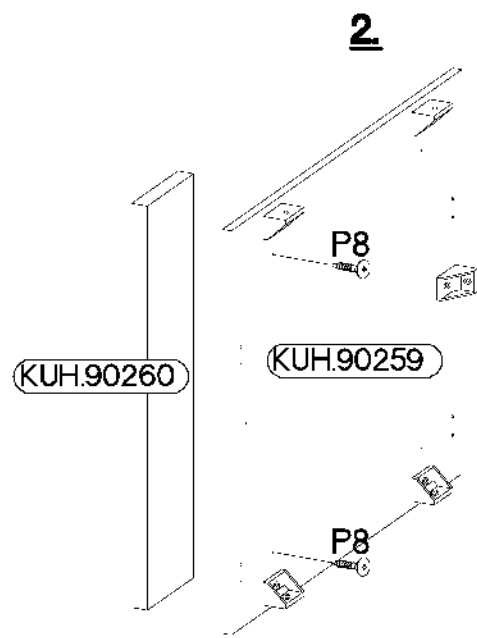
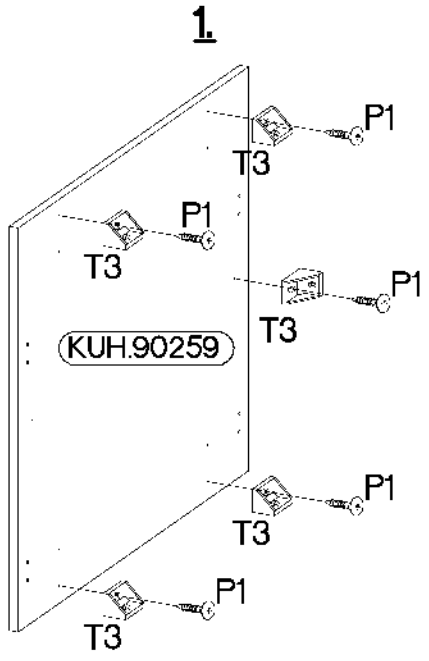
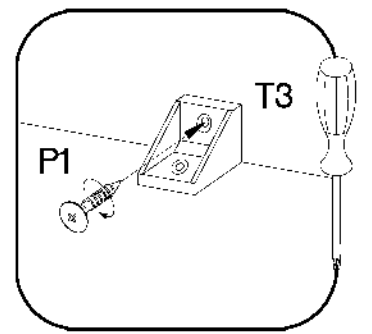



P7

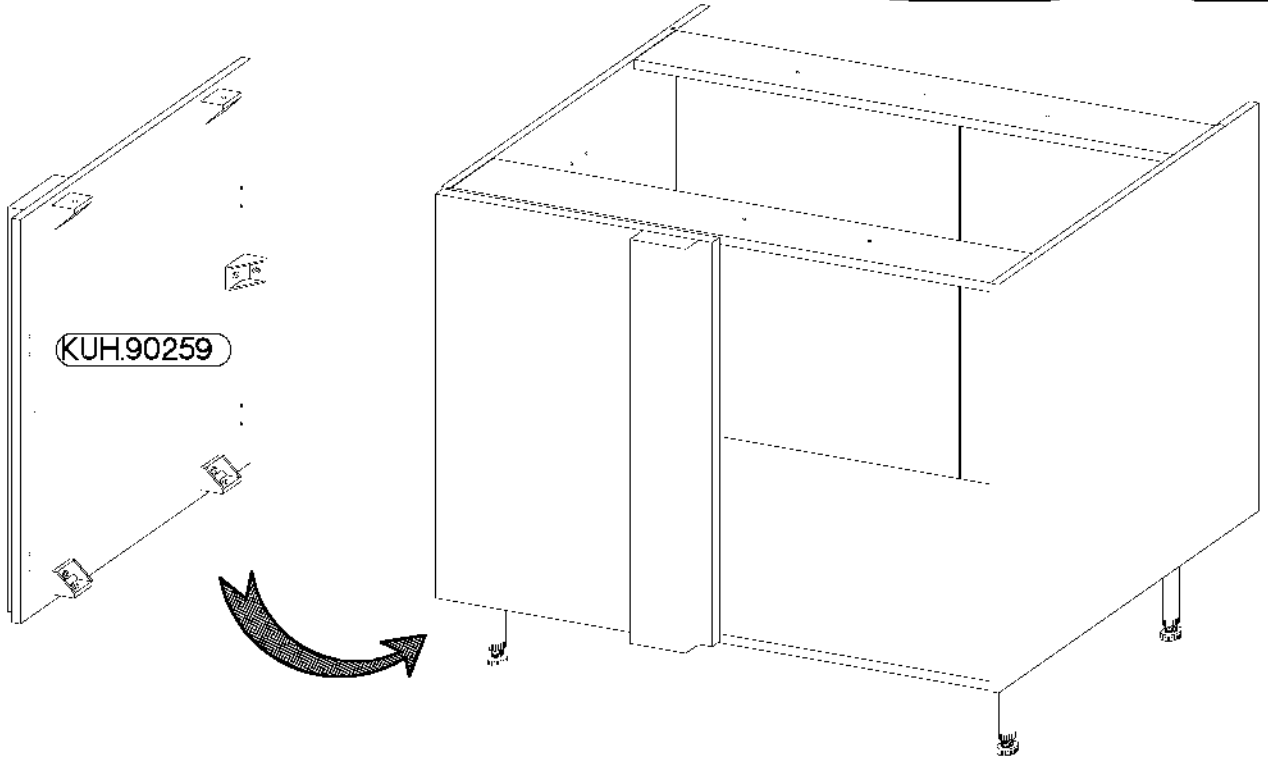
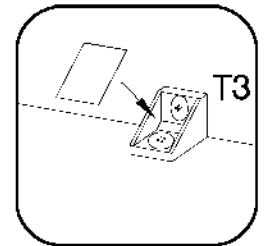
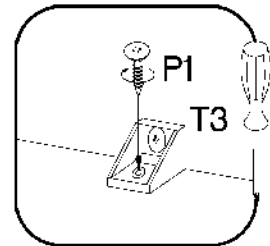
15-20



	$\pm 4.0 \times 16 \text{mm}$	$\pm 4.0 \times 30 \text{mm}$
T3	P1	P8
5	5	2



$\pm 4.0 \times 16 \text{mm}$

P1
5



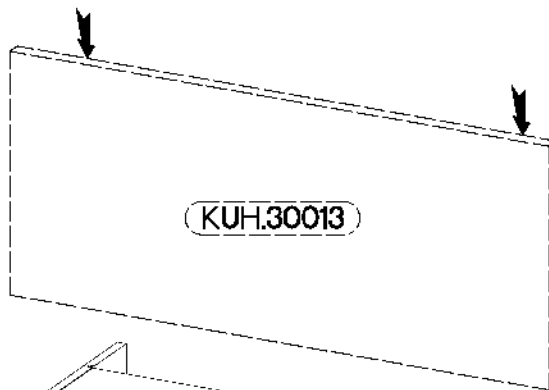
32

±5/16mm

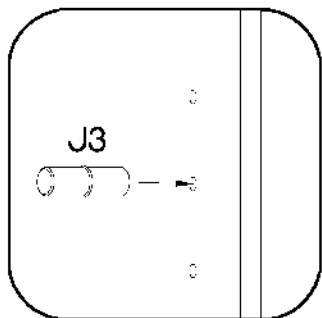


J3

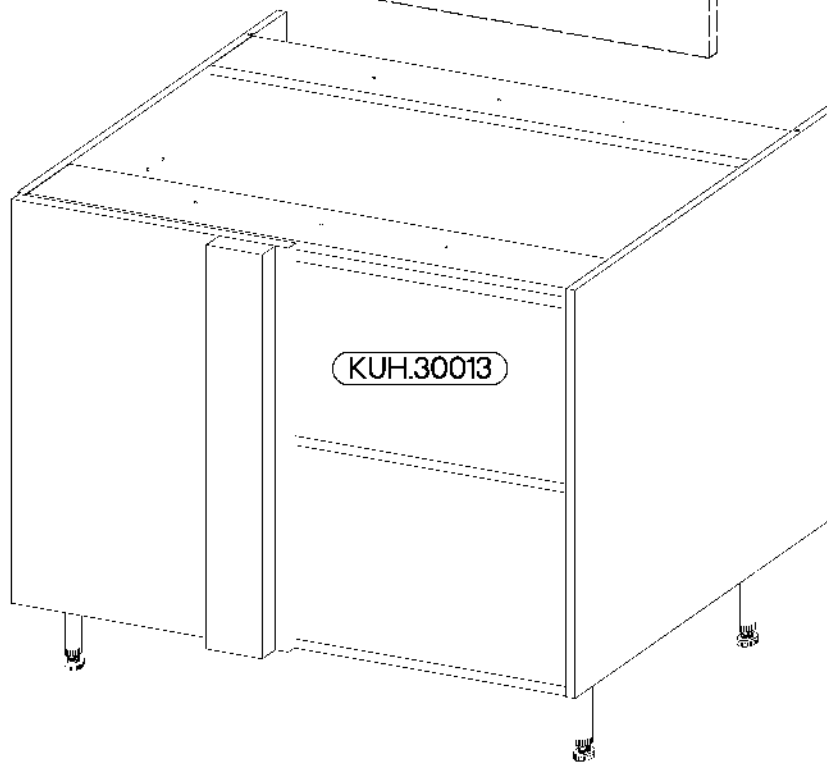
4



KUH.30013



J3



KUH.30013

33

6,4 x 50mm



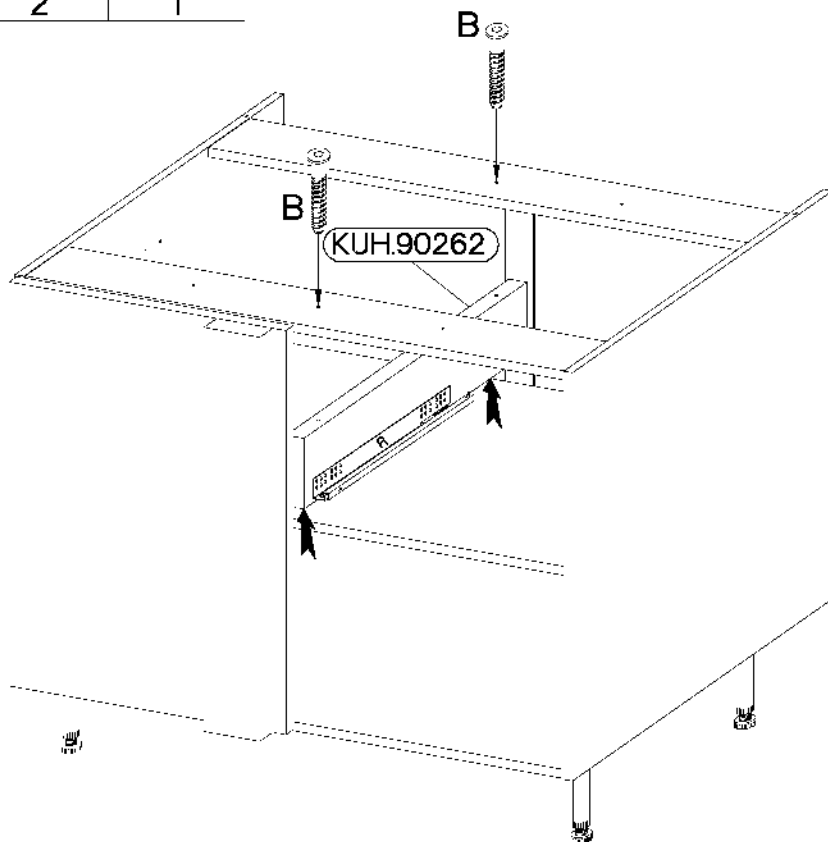
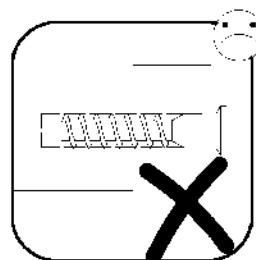
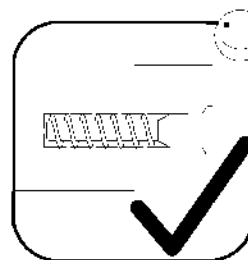
B

2

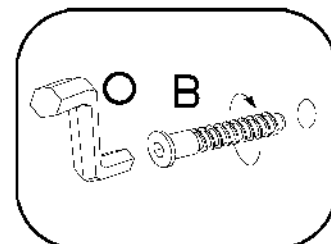


O

1



KUH.90262



O

B

34

4.0x35mm

3.5x13mm



R3

4



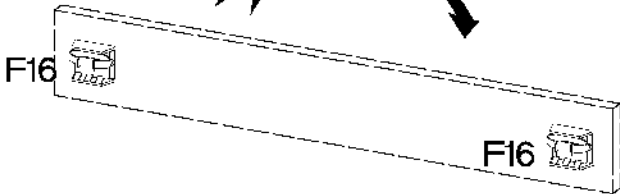
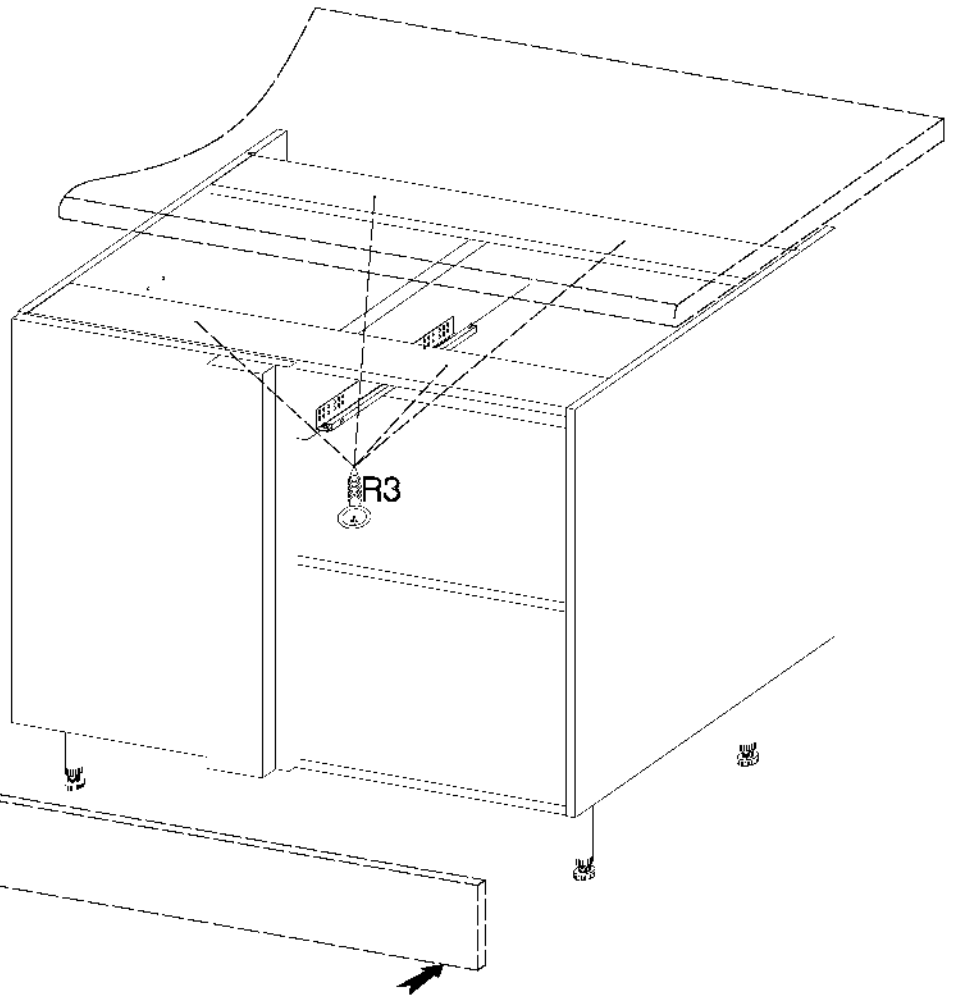
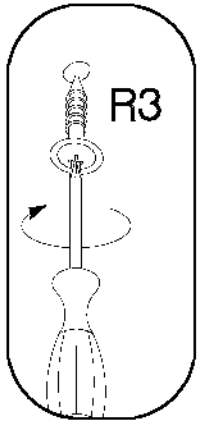
P5

4

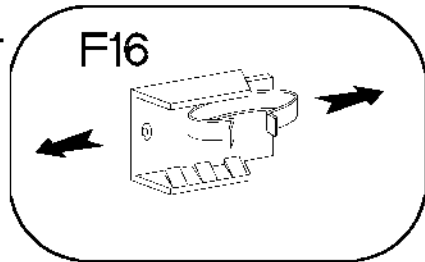


F16

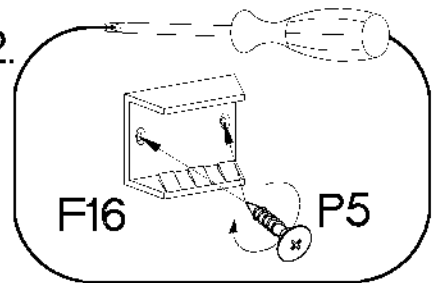
2



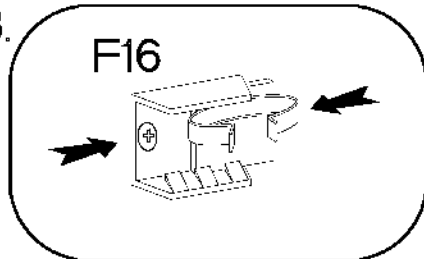
1.



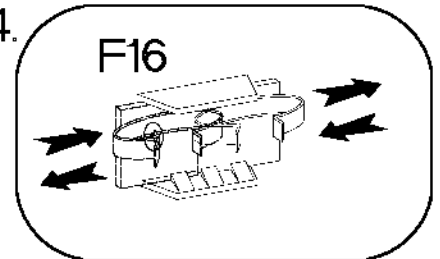
2.



3.



4.



35

35/90°

3.5x13mm



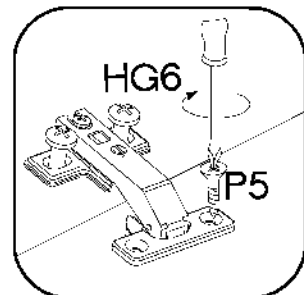
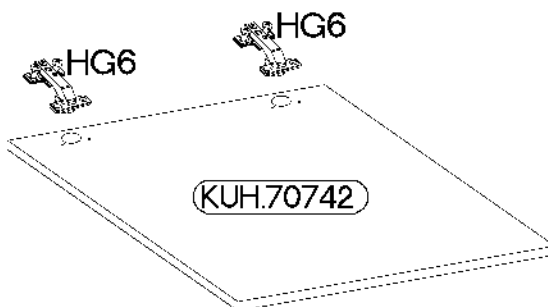
HG6



2

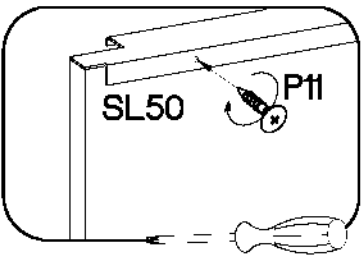
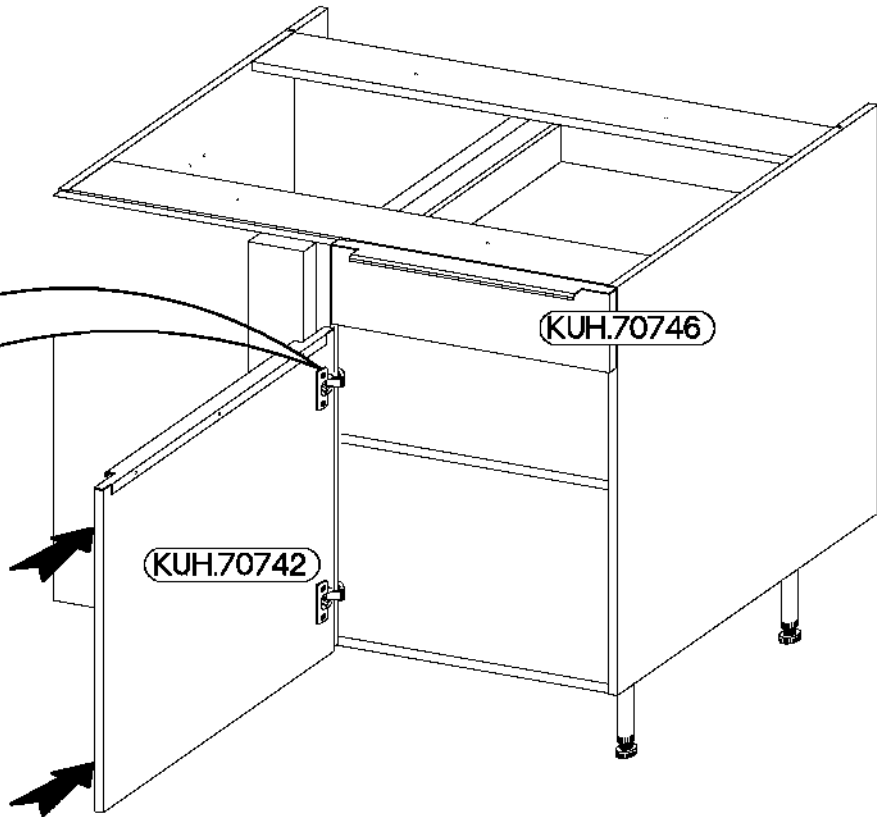
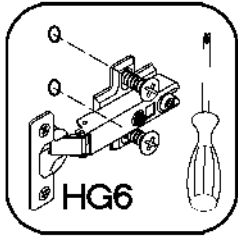


P5

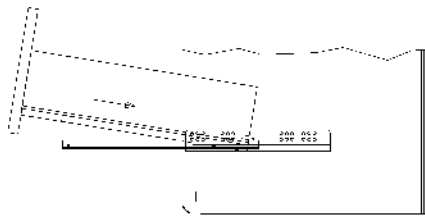
4



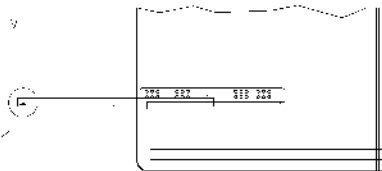
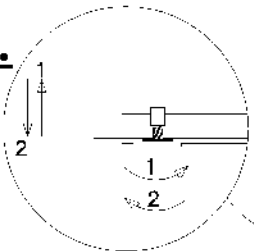
 P11 6	 SL50 2
--	---



1.

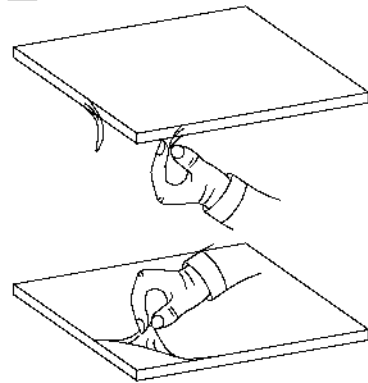


2.



VARIANT HIGH GLOSS

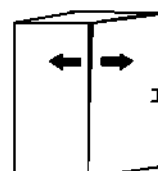
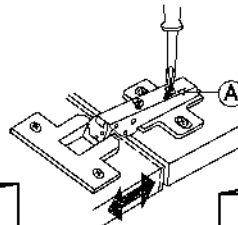
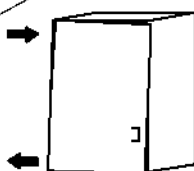
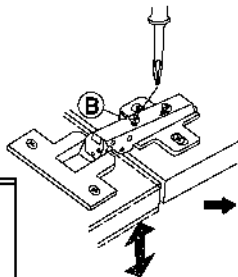
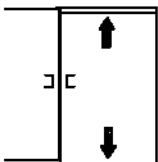
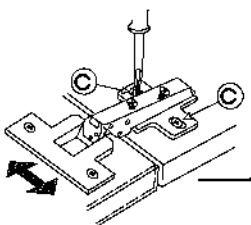
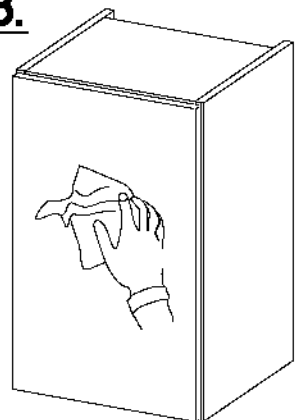
1.

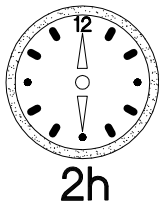
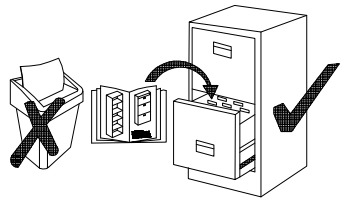
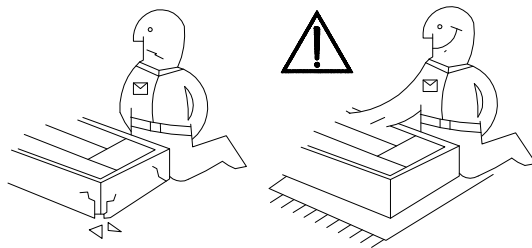
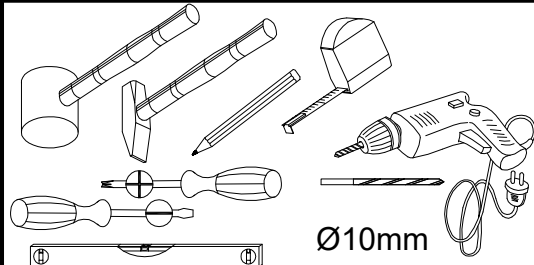
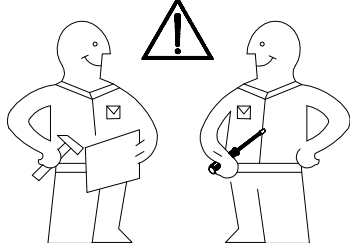


2.



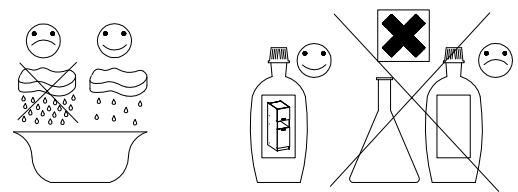
3.



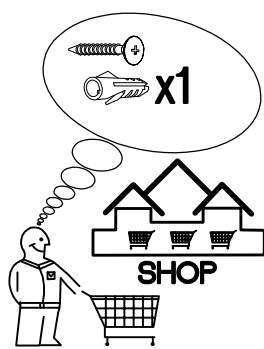
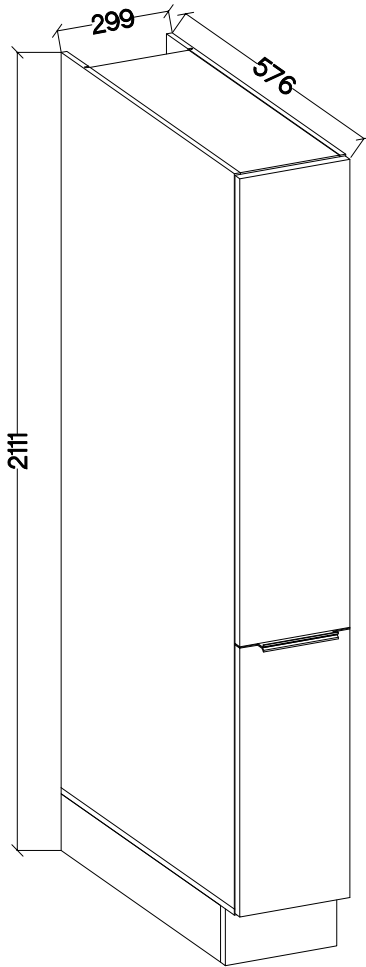


SAFADO / MARLEEN

73-152-...
73-15B-...
73-15A-...

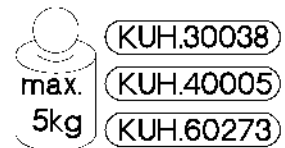
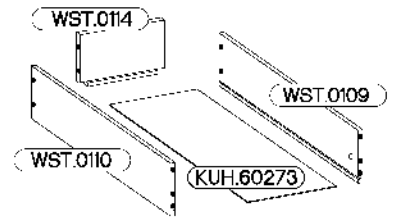
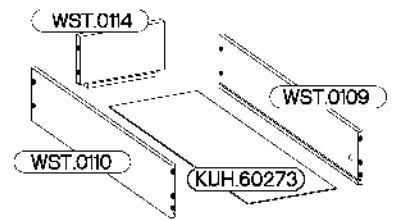
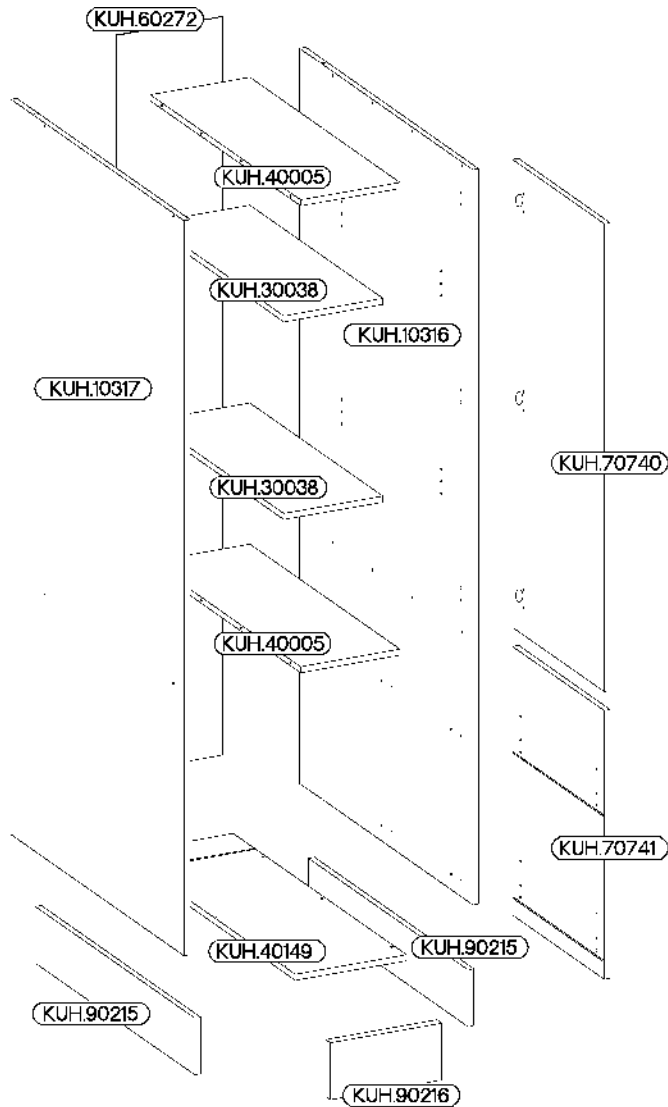


respekta®



 A 16	 B 14	 B2 8	 C5 4	 D2 4	 E1 14	 F15 4	 F16 6	 HG 3	 L=450mm L R 2	 J3 8
 L=20mm 4	 M2 16	 O 1	 P5 36	 P7 8-10	 P11 6	 R 4	 SL30 2			
 +8x30mm 16	 6,4 x 50mm 14	 +6x42mm 8	 +12/10mm 4	 L=20mm 4	 +6.3x13mm 16	 +3.5x13mm 36	 +3.0x20mm 8-10	 +3.0x16mm 6	 +4.0x25mm 4	 L=295mm 2

ISM-KUH-01606



Colli	Spare Part	Dimension
Colli 1/2	KUH.40005 x2	267x485x16
	KUH.40149	299x560x16
	KUH.70740	1238x296x16
	KUH.90215 x2	515x150x16
	KUH.90216	299x150x16
Colli 2/2	KUH.10316	1945x560x16
	KUH.10317	1945x560x16
	KUH.30038 x2	266x430x16
	KUH.60272	1953x285x2,5
	KUH.60273 x2	448x237x2,5
	KUH.70741	711x296x16
	WST.0109 x2	450x140x12
	WST.0110 x2	450x140x12
WST.0114 x2	227x140x12	

+8x30mm

L

+6.3x13mm

R



8

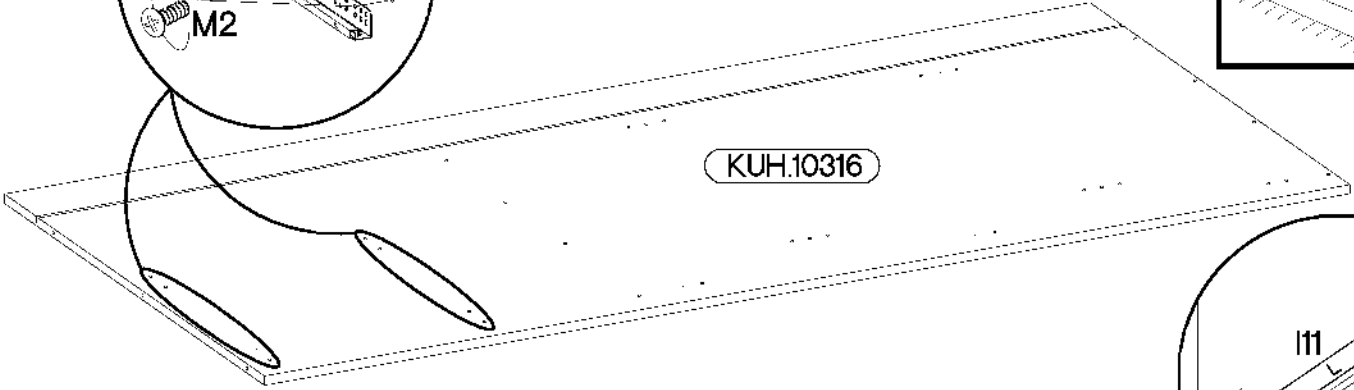
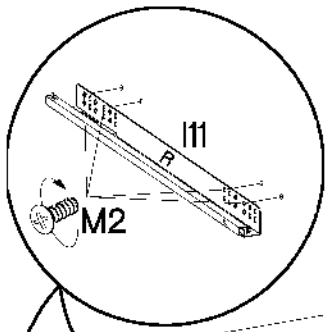
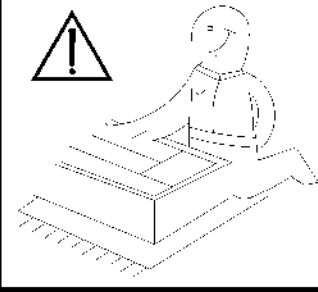
A L=450mm

2

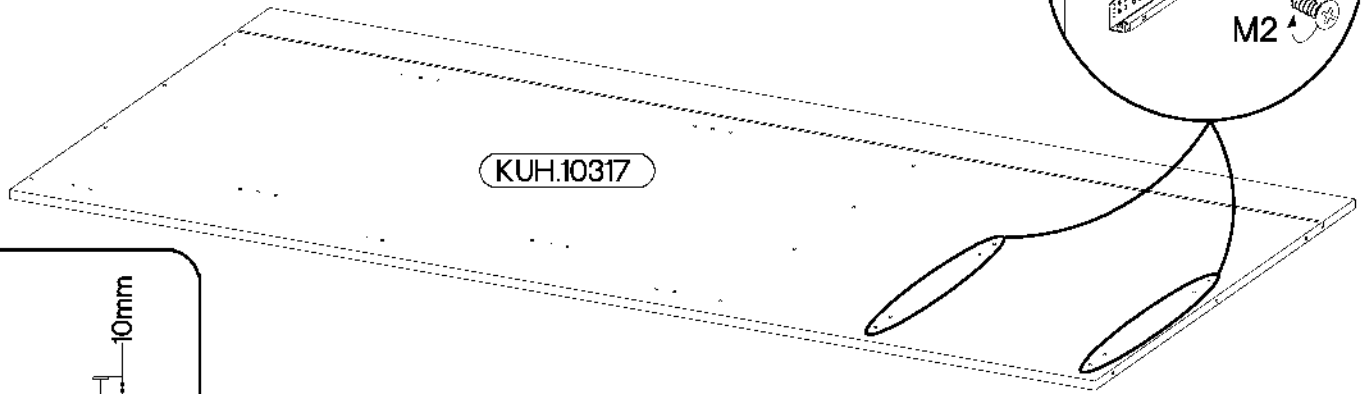
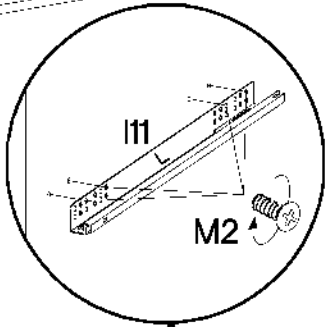
I11

M2

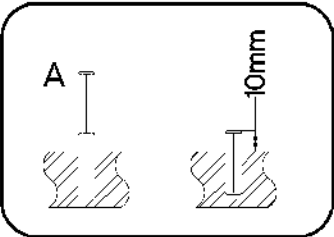
16



KUH.10316



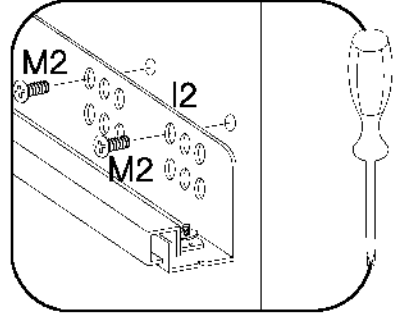
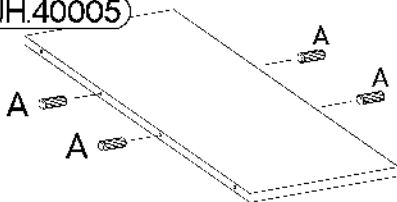
KUH.10317



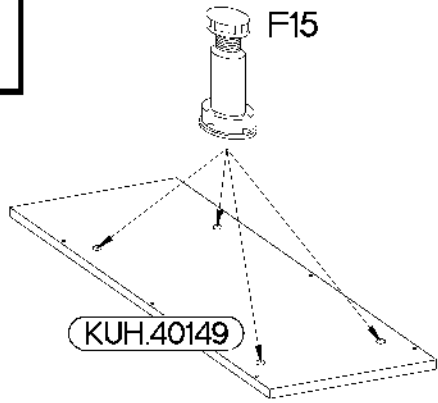
KUH.40005



KUH.40005



2



KUH.40149

+3.5x13mm

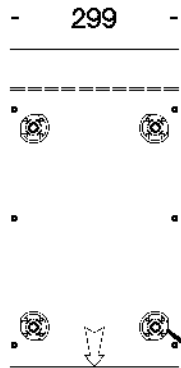


P5

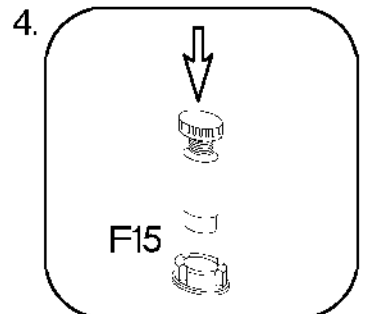
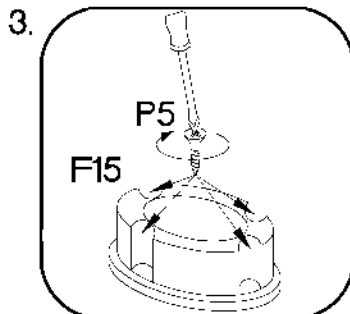
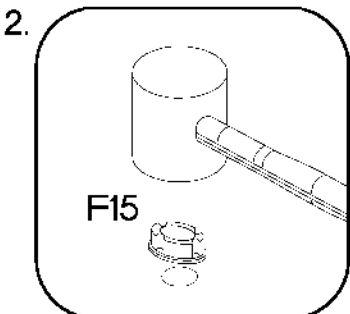
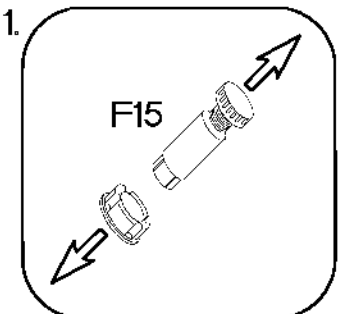
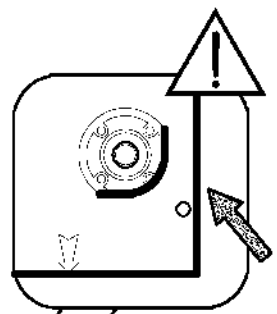
F15

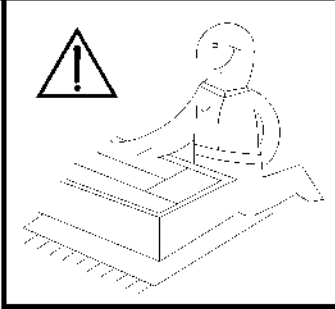
16

4



299





6,4 x 50mm



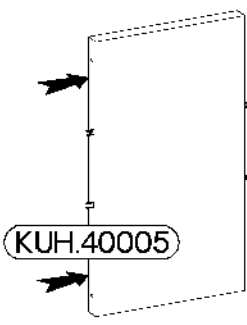
2 B



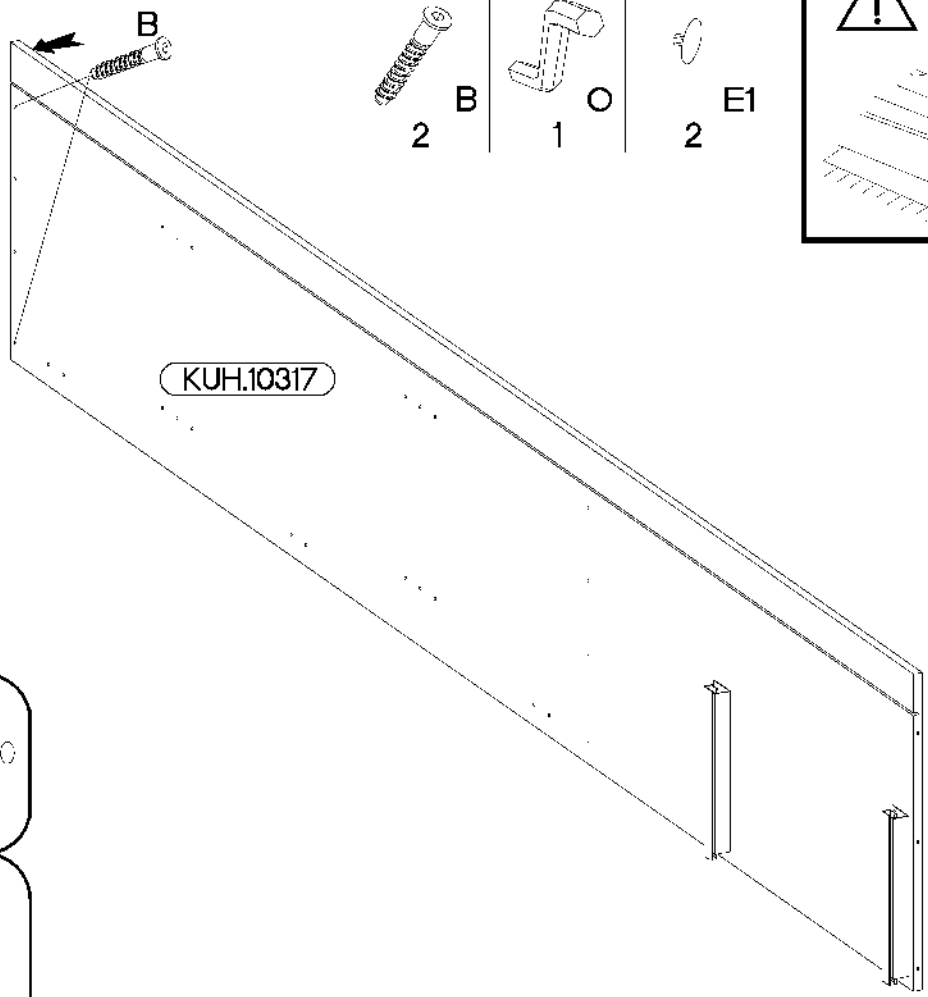
1 O



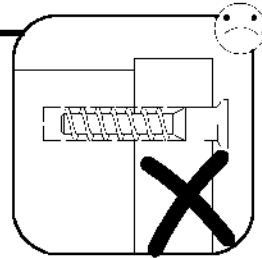
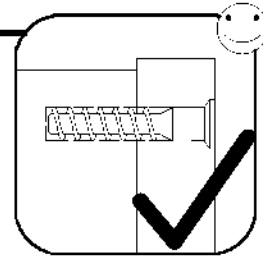
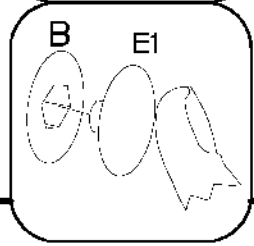
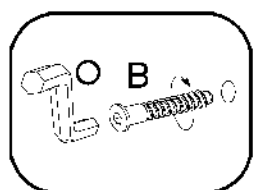
2 E1



KUH.40005



KUH.10317



KUH.40005

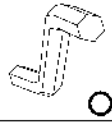
KUH.10317

KUH.40005

6,4 x 50mm



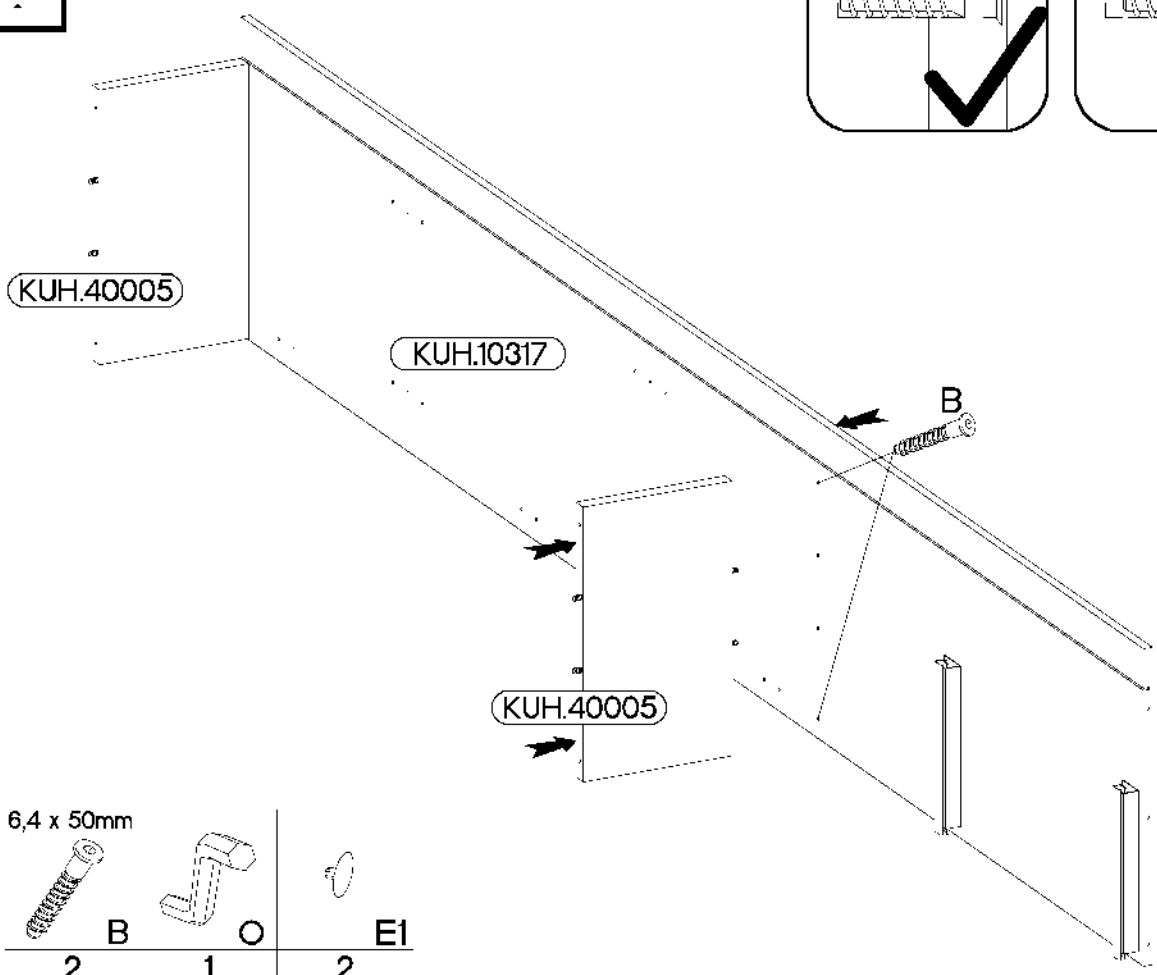
2 B



1 O

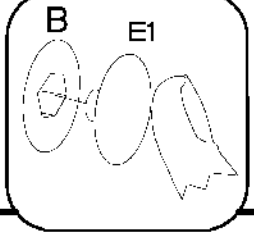
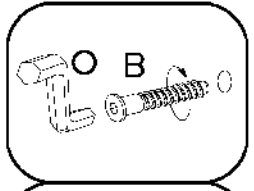
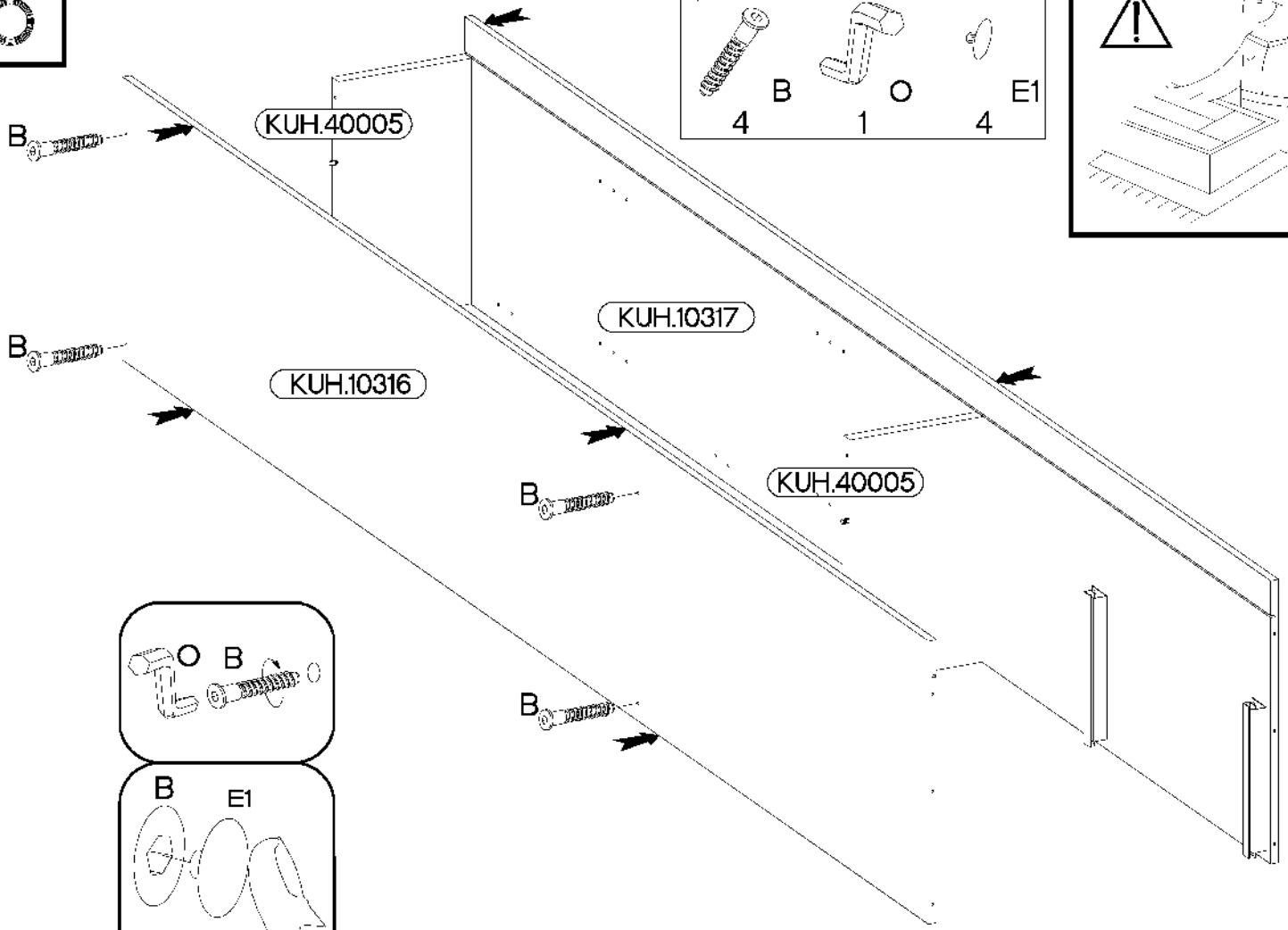
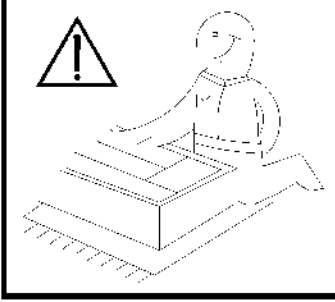
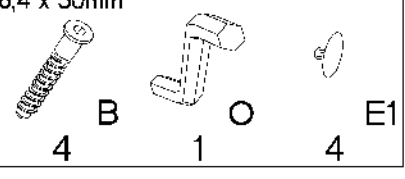


2 E1

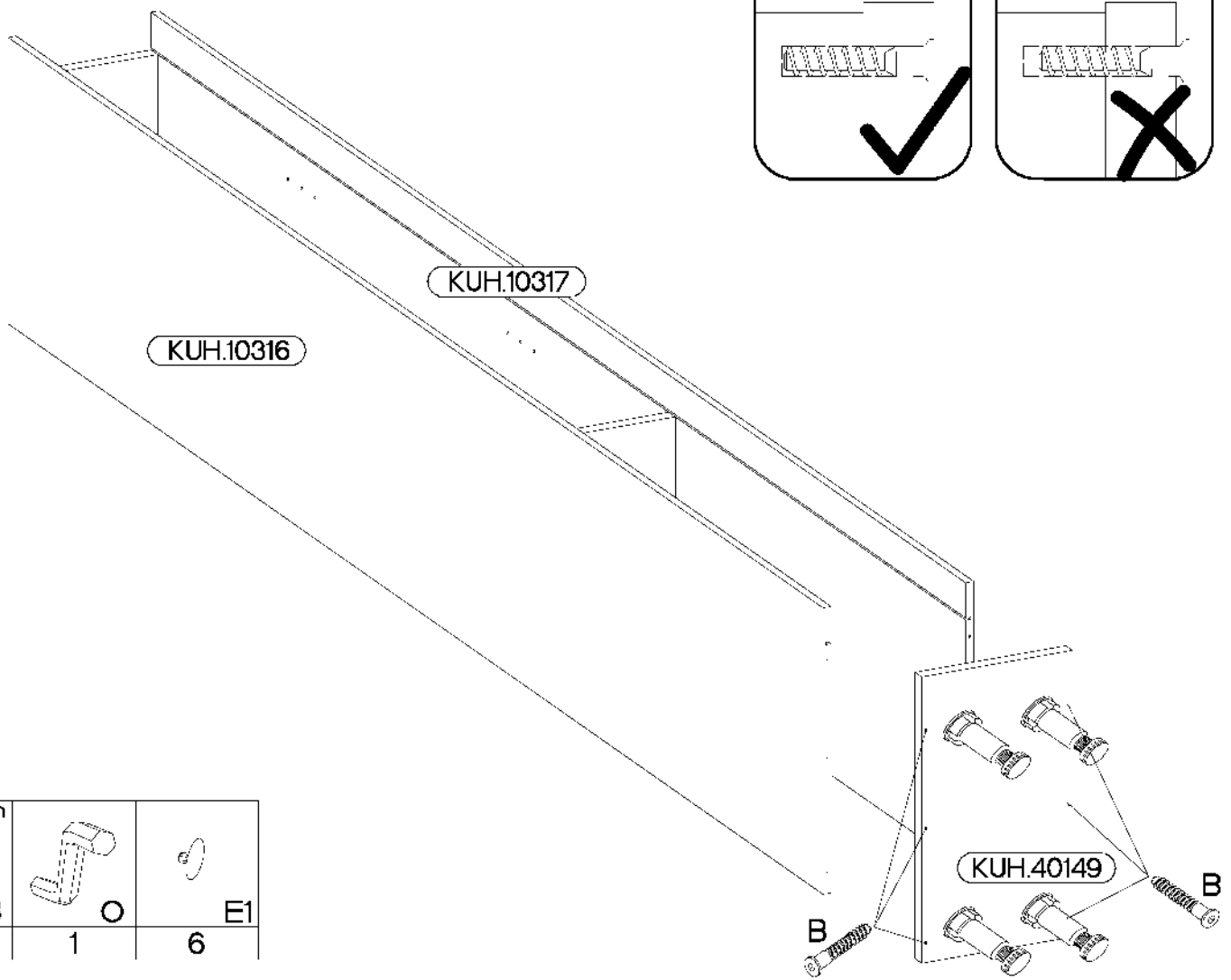
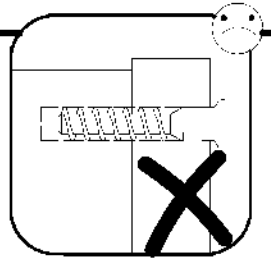
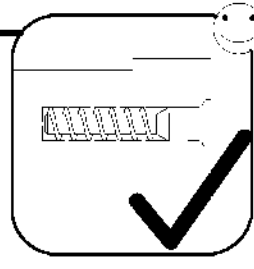


5

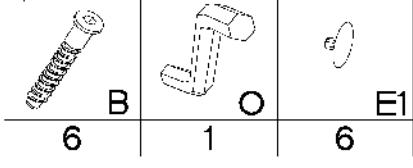
6,4 x 50mm



6



6,4 x 50mm



KUH.40149

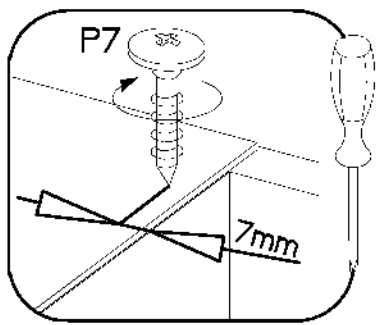
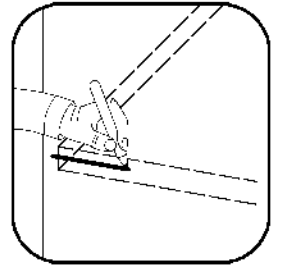
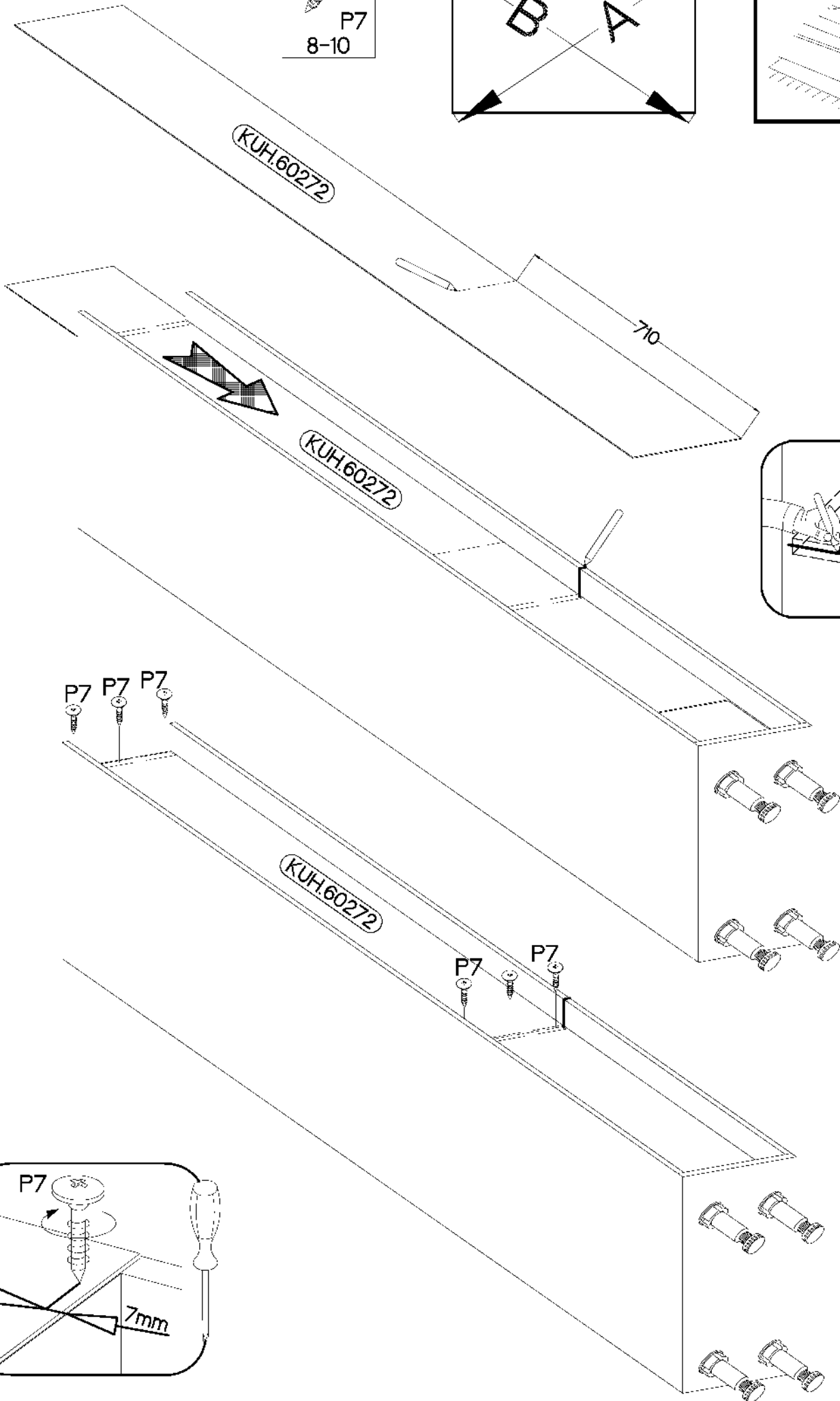
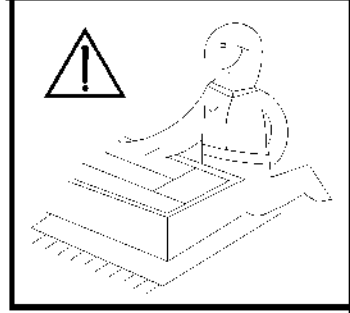
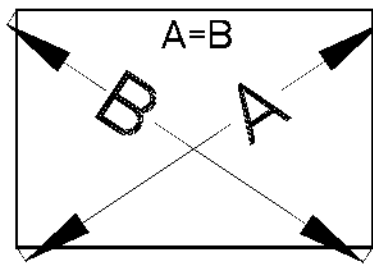


±3.0x20mm



P7

8-10



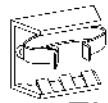


±3.5x13mm



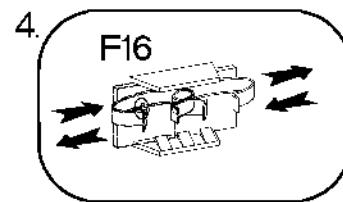
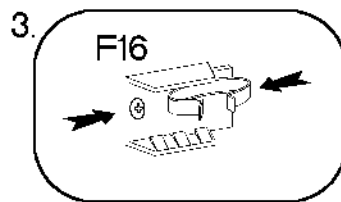
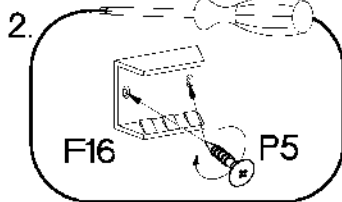
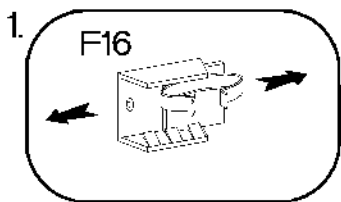
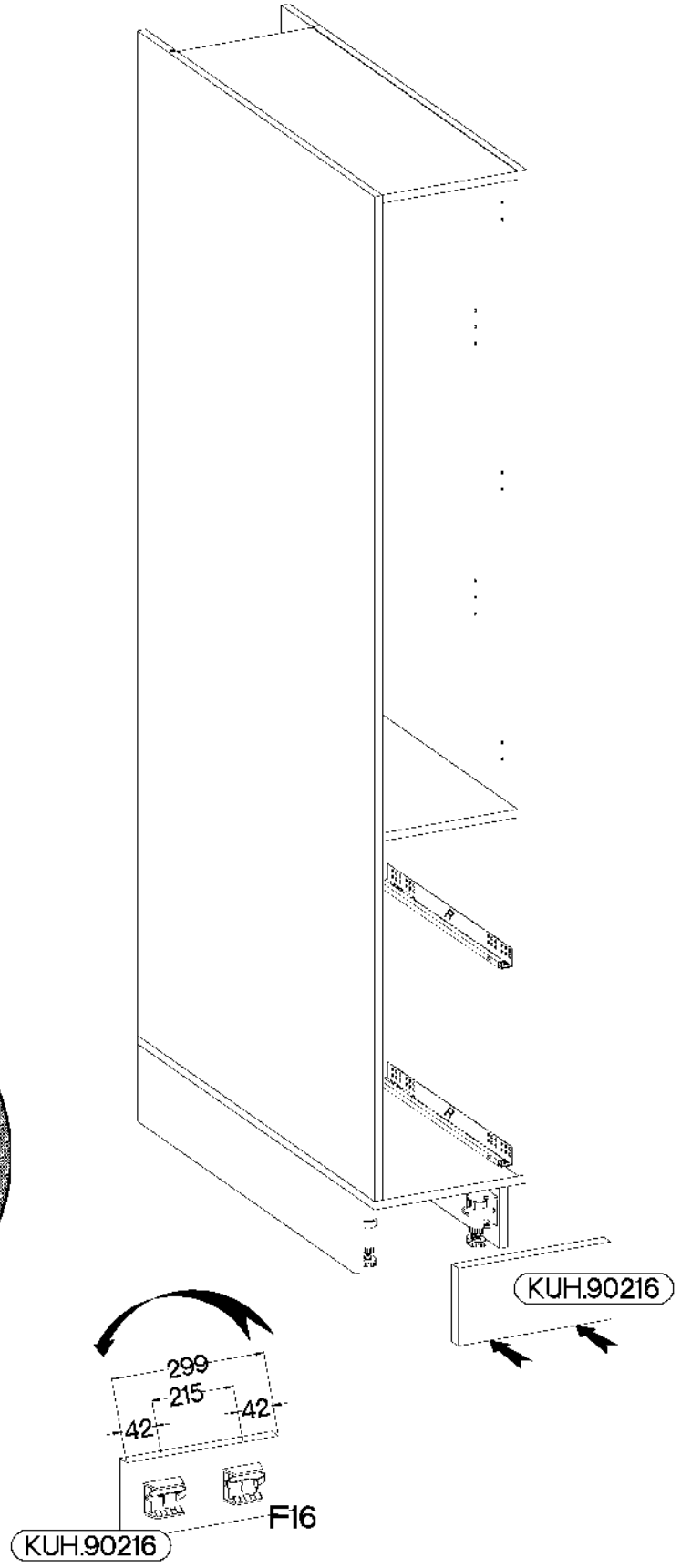
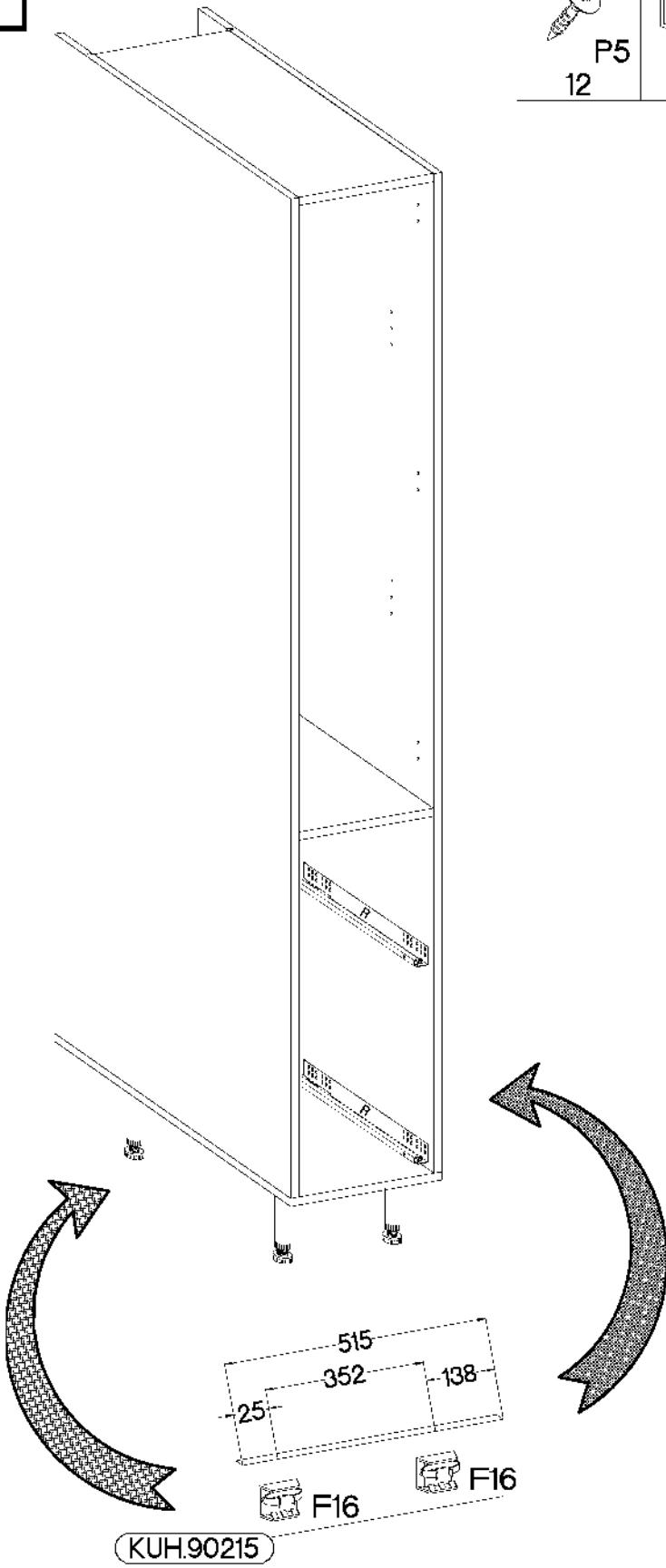
P5

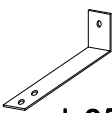

12



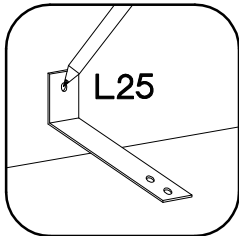
F16

6

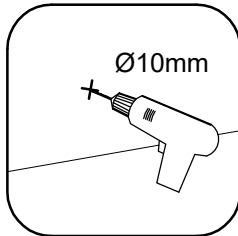


 L25 1	 #3.5x13mm P5 2
--	--

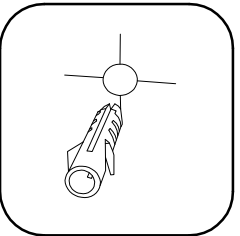
1.



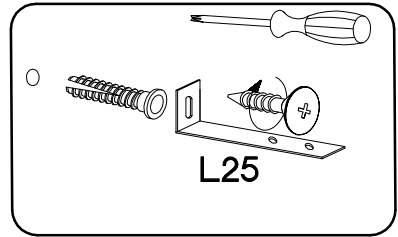
2.



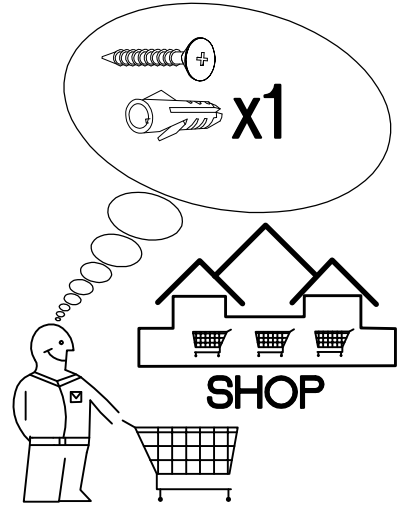
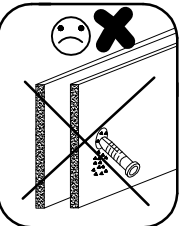
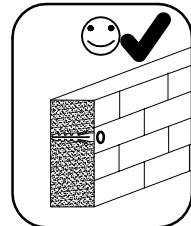
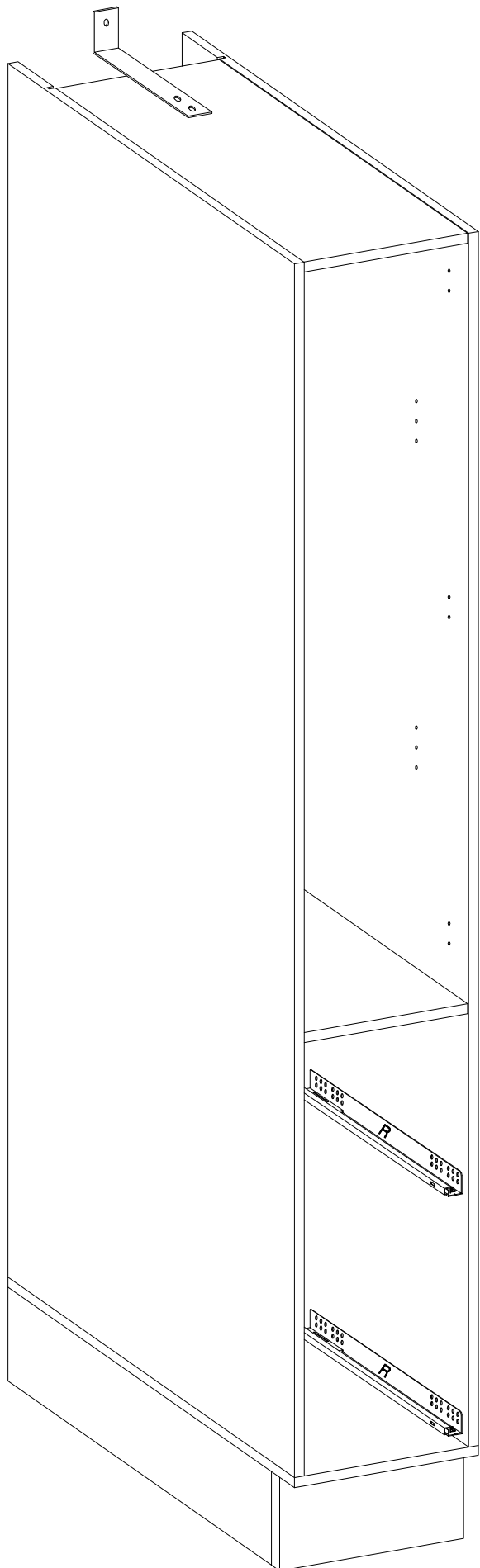
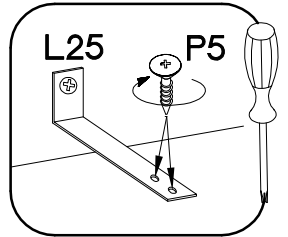
3.



4.



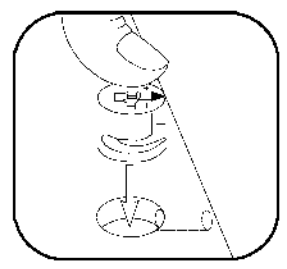
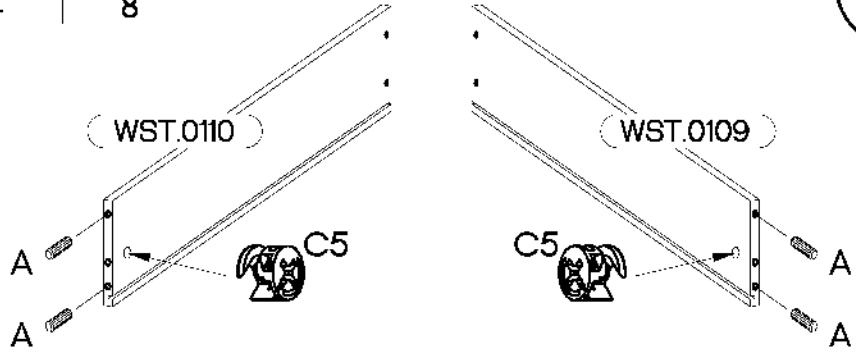
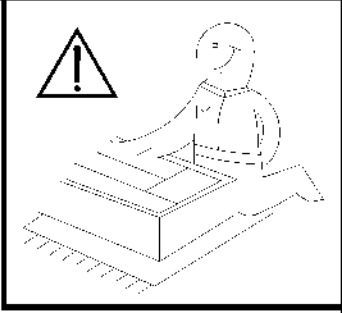
5.



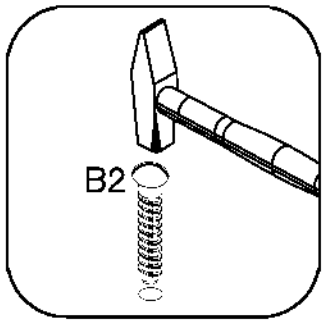
10

- #12/10mm C5 4
- #8x30mm A 8

x2

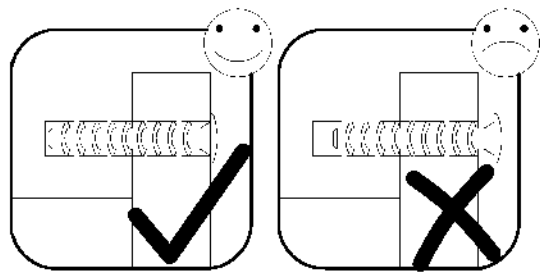
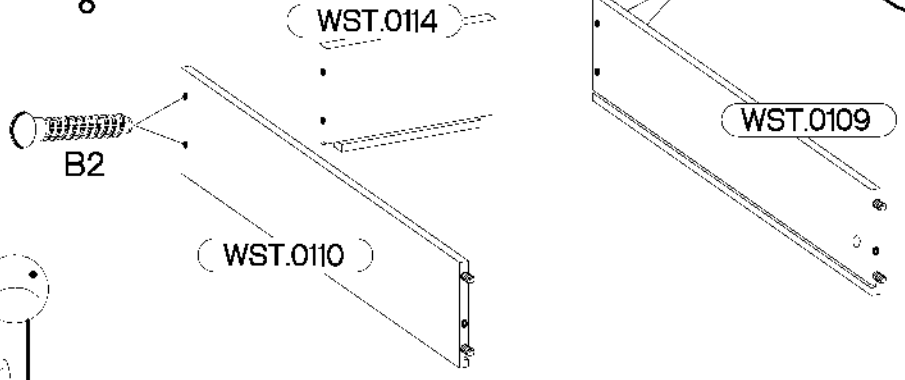


1



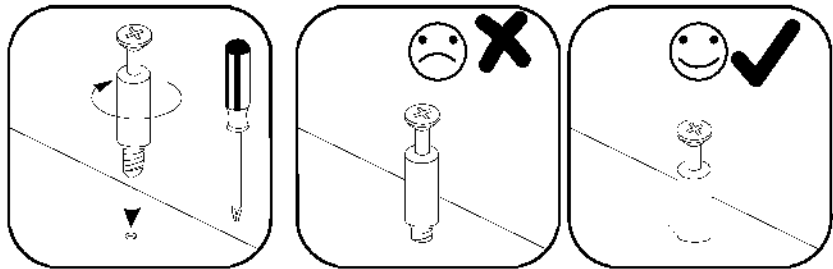
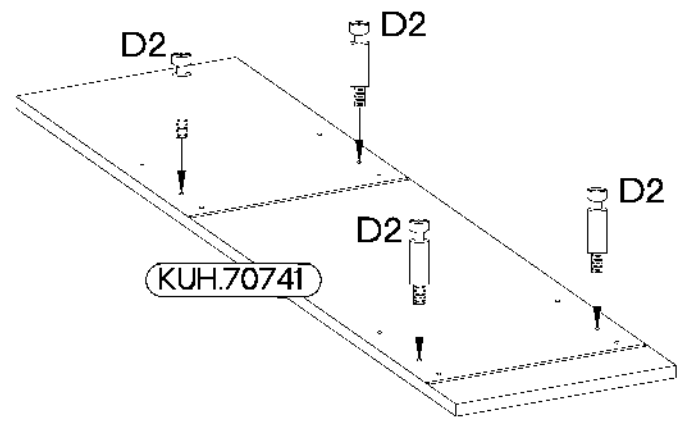
- #6x42mm B2 8

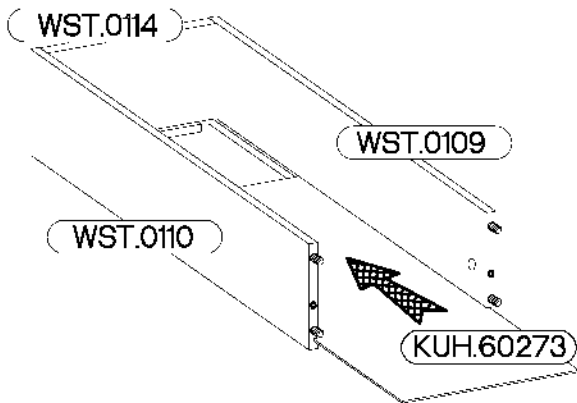
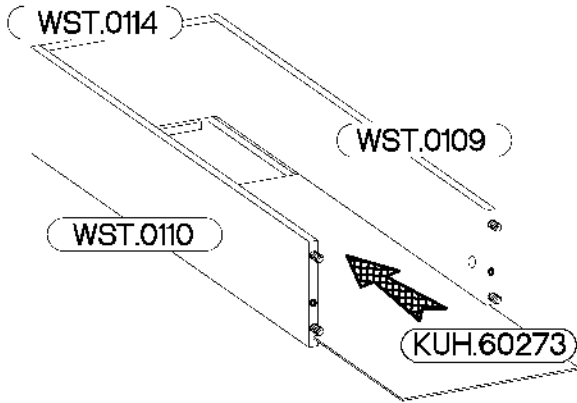
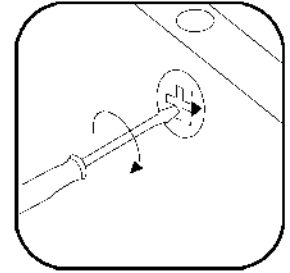
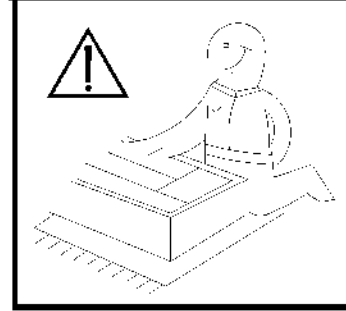
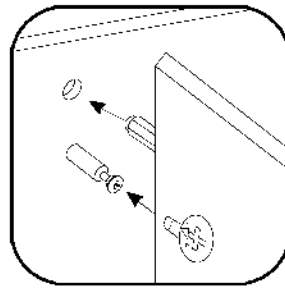
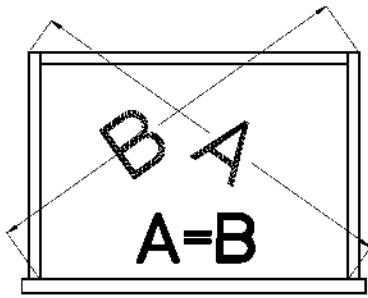
x2



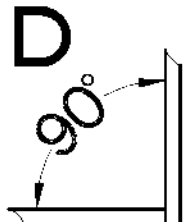
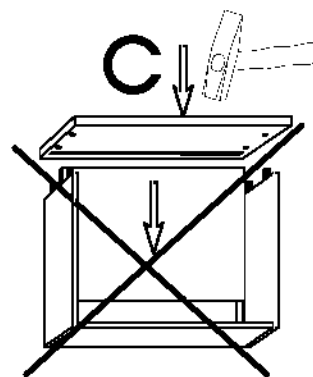
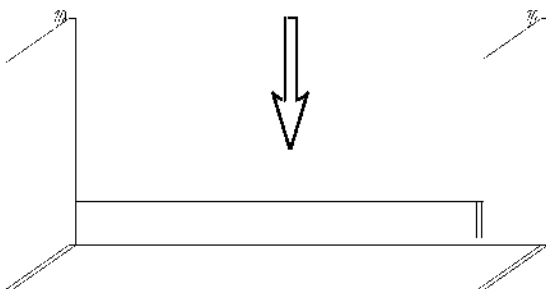
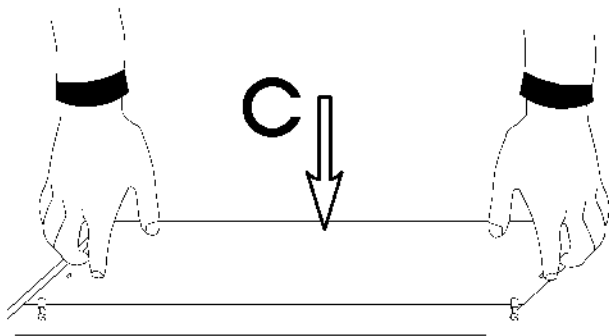
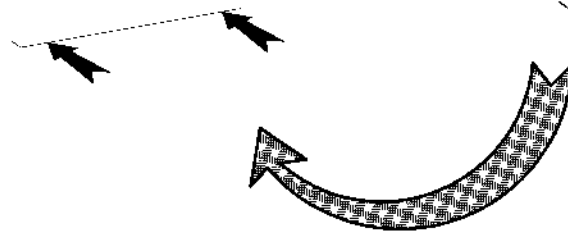
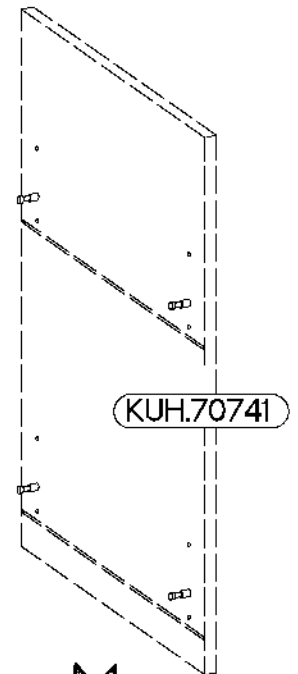
2

- L=20mm D2 4

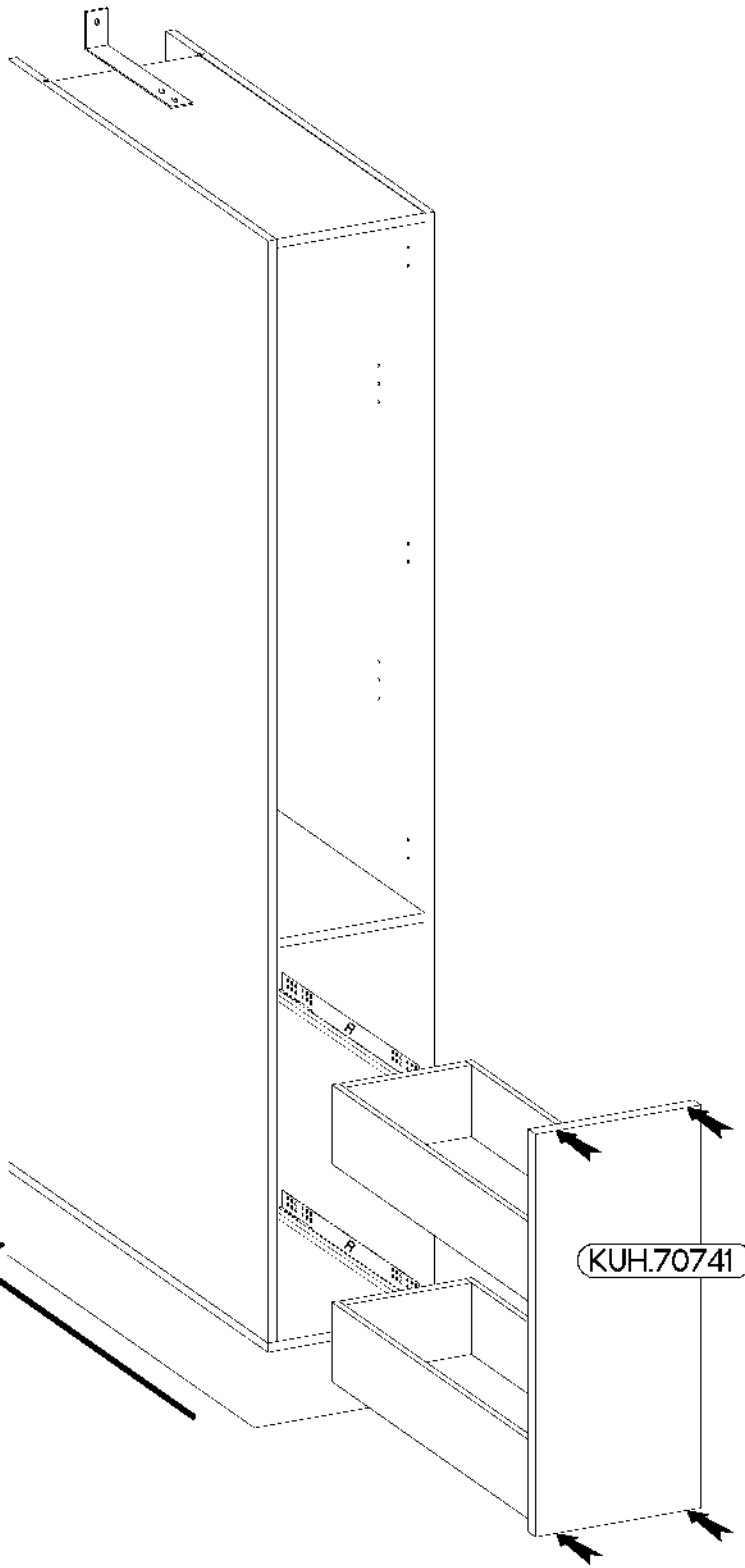




(KUH.70741)

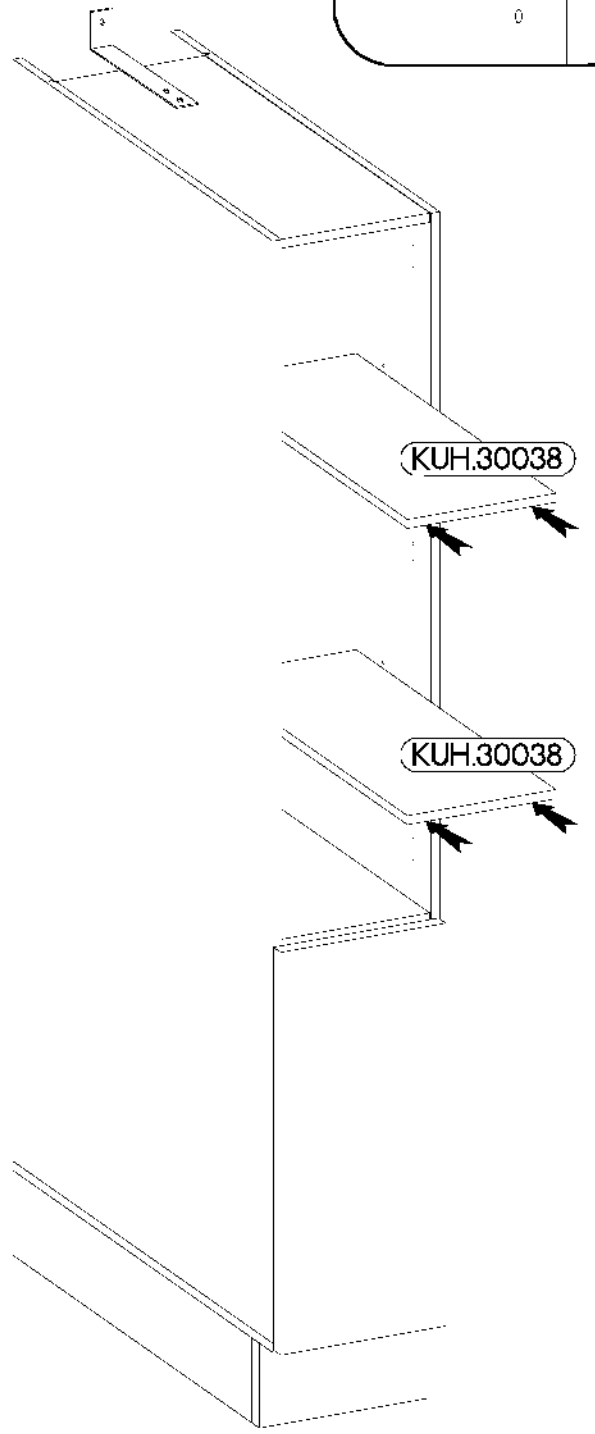
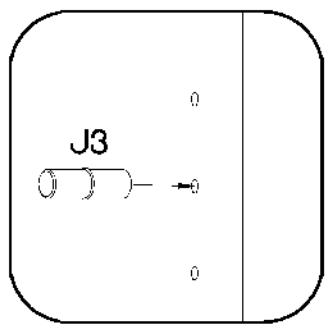


14

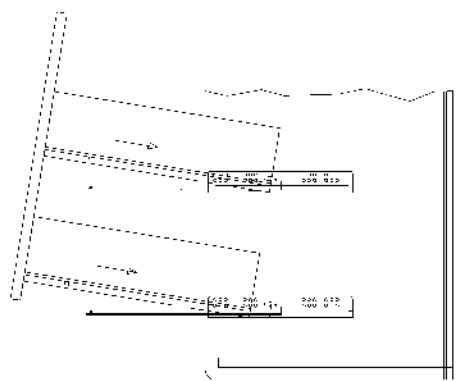


15

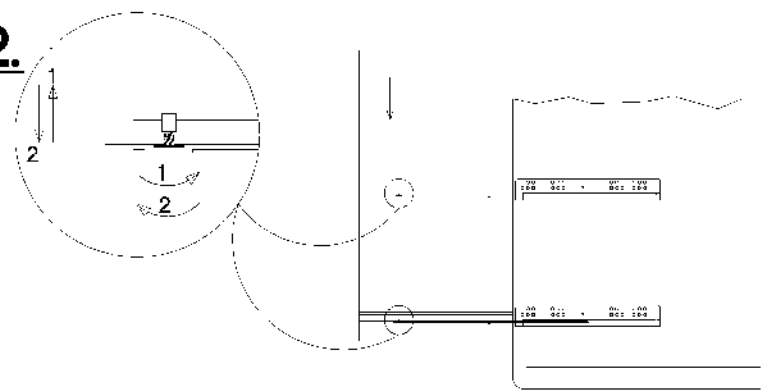
±5/16mm
 J3
 8





1.

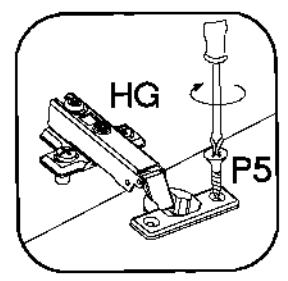
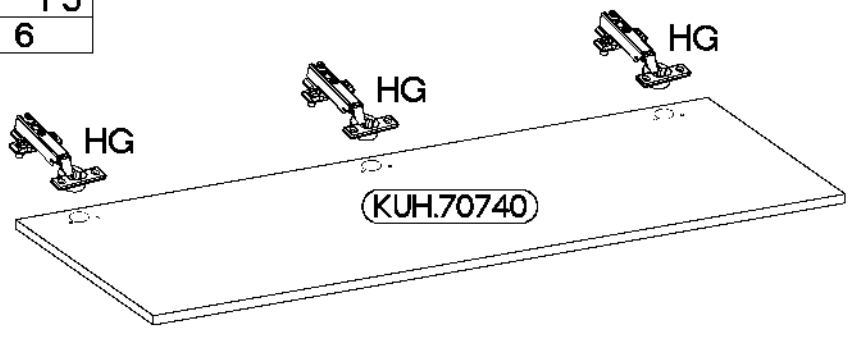


2.

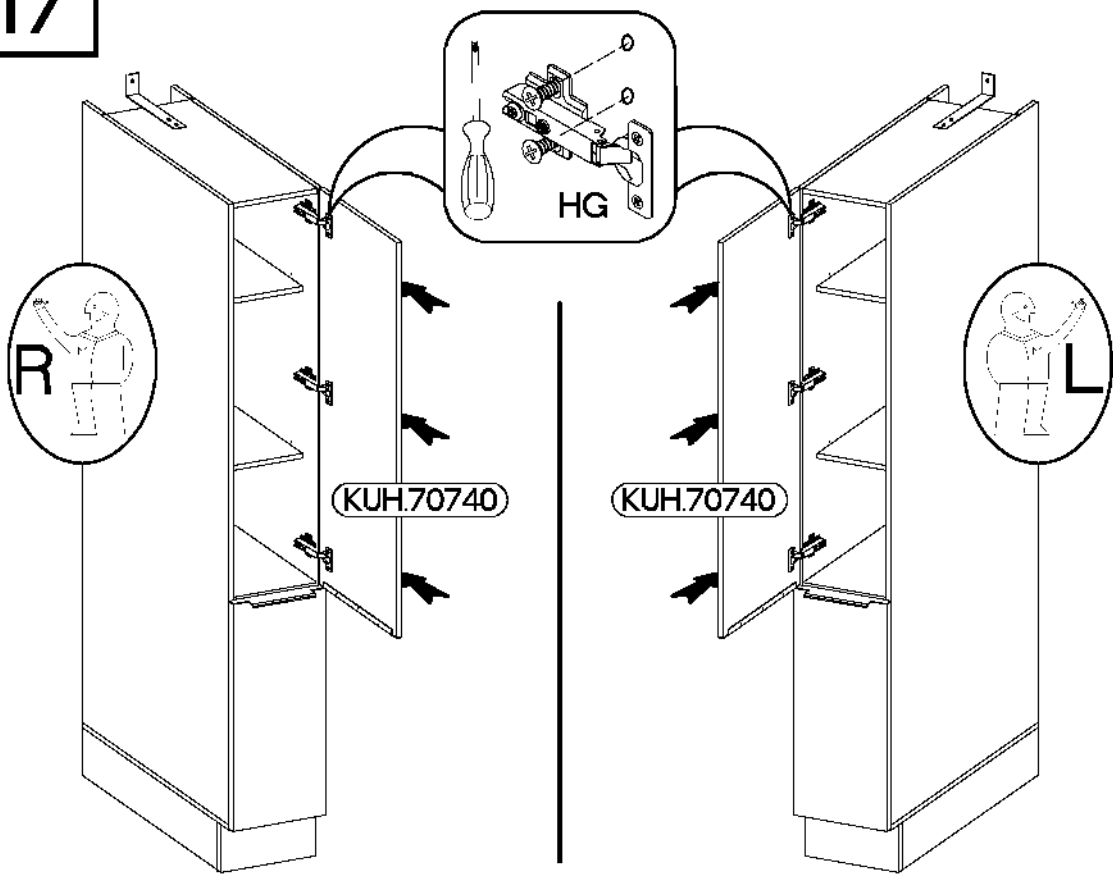




16

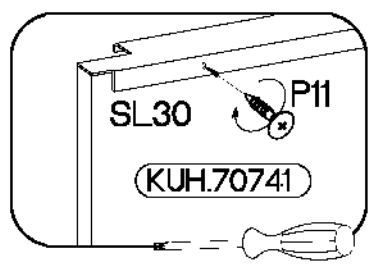
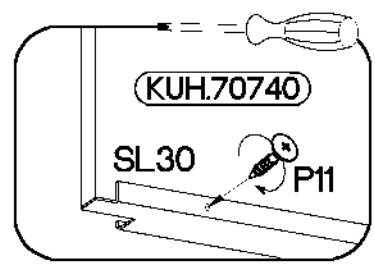
 HG 3	 P5 6
---	---



17



 P11 6	 SL30 2
---	--



VARIANT HIGH GLOSS

