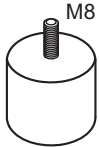


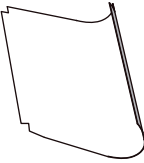


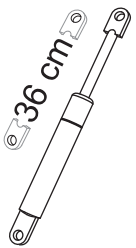


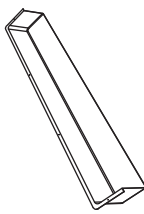

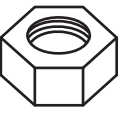
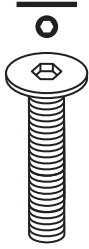


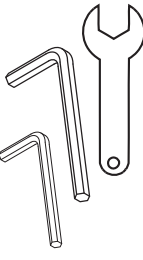
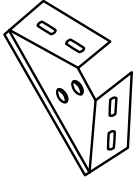
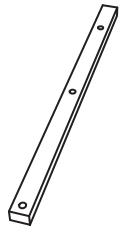
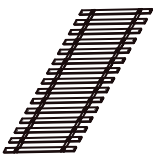



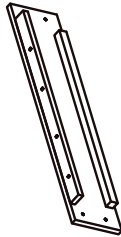









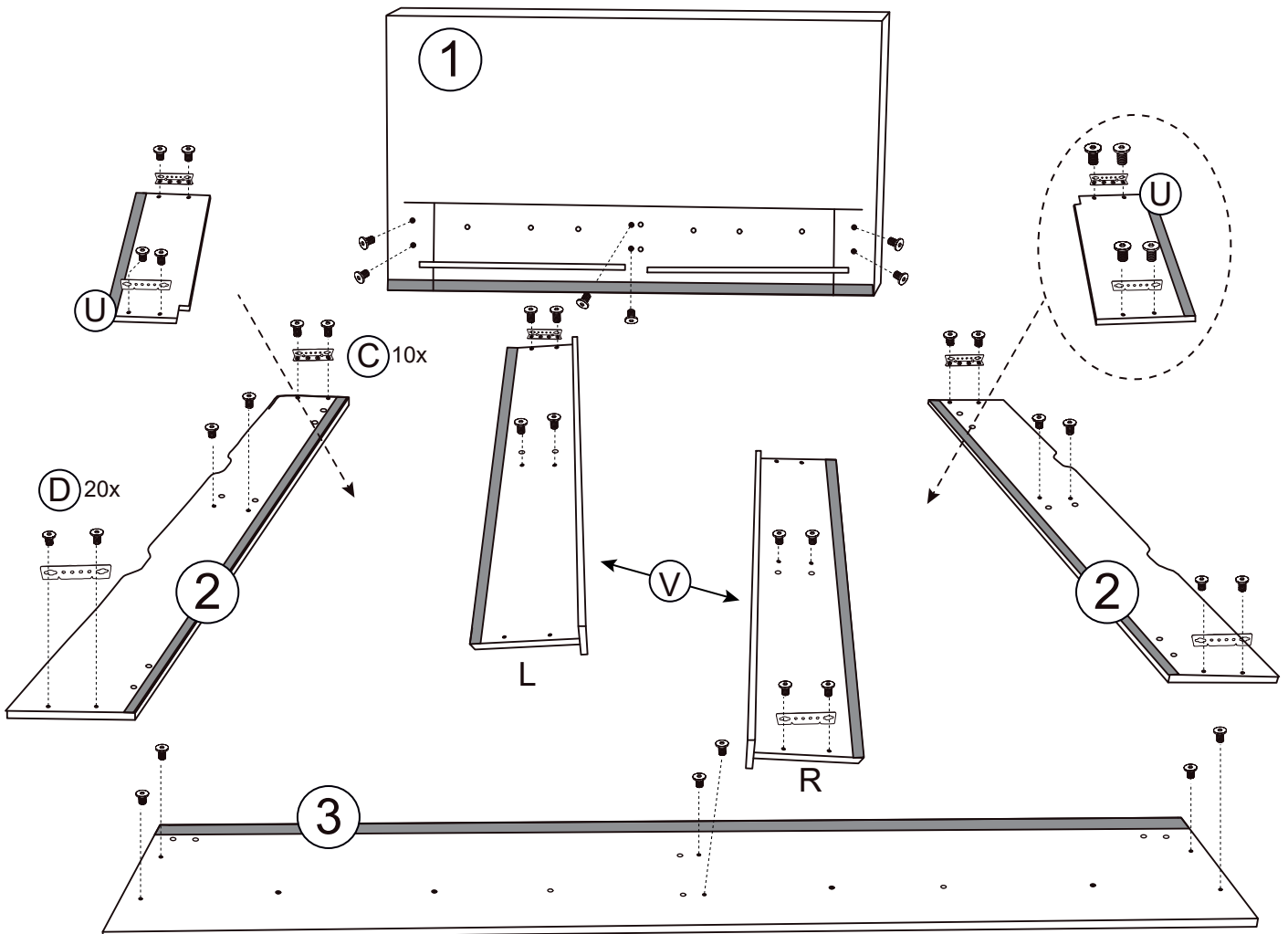
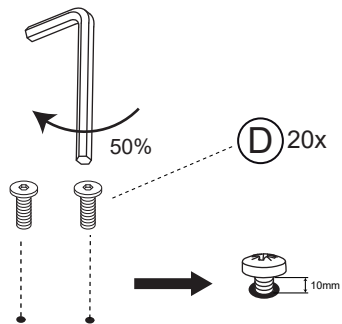
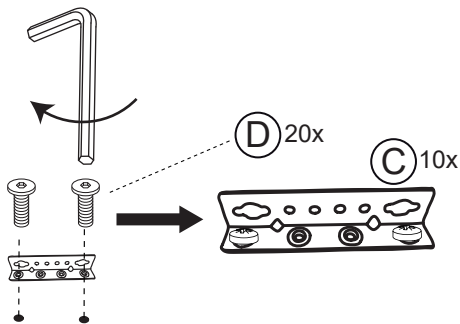
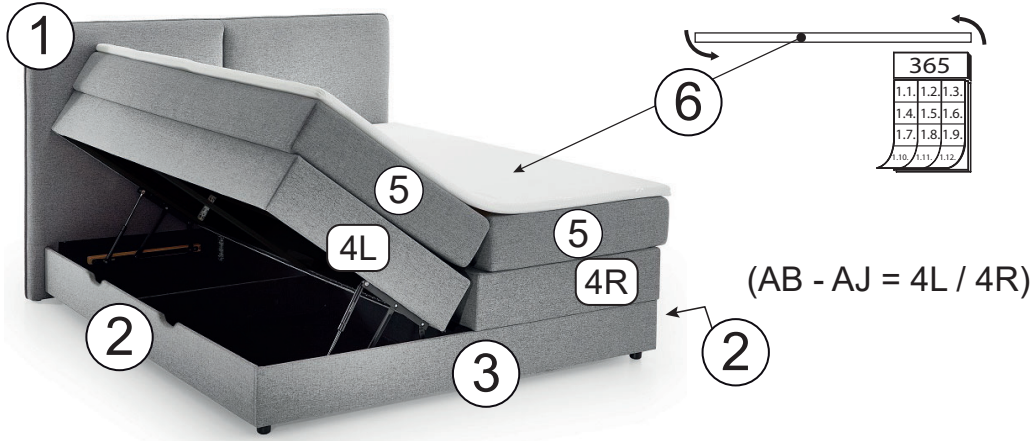
COLUMBIA by meise (KB-668)

Bettkasten / storage

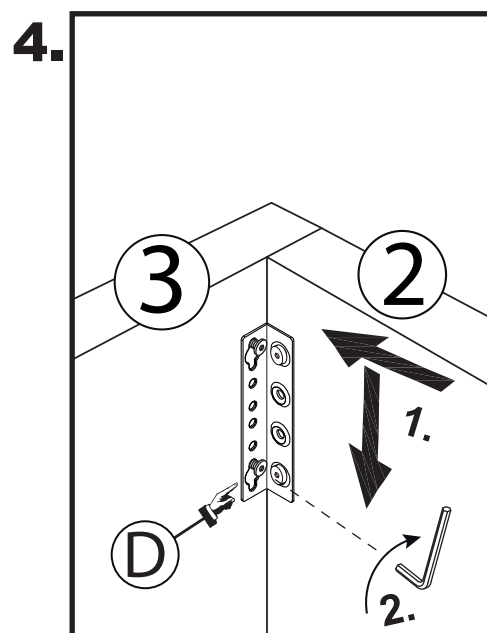
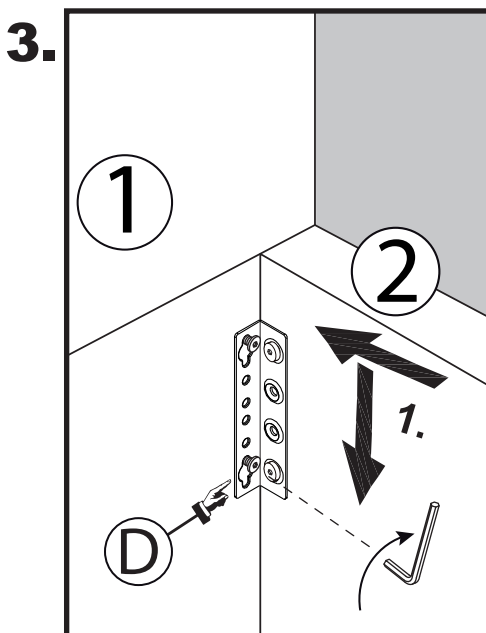
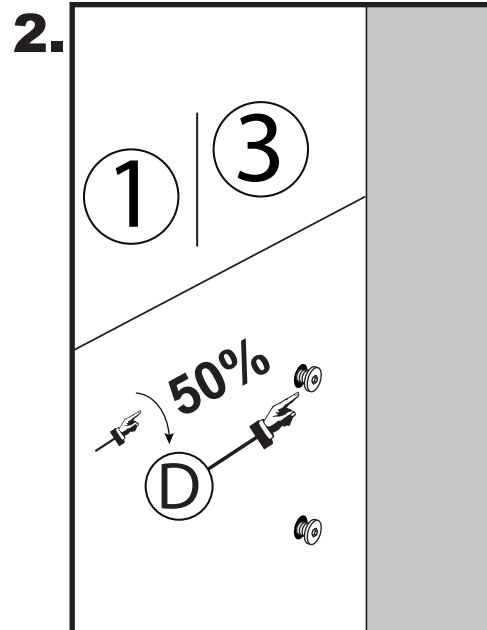
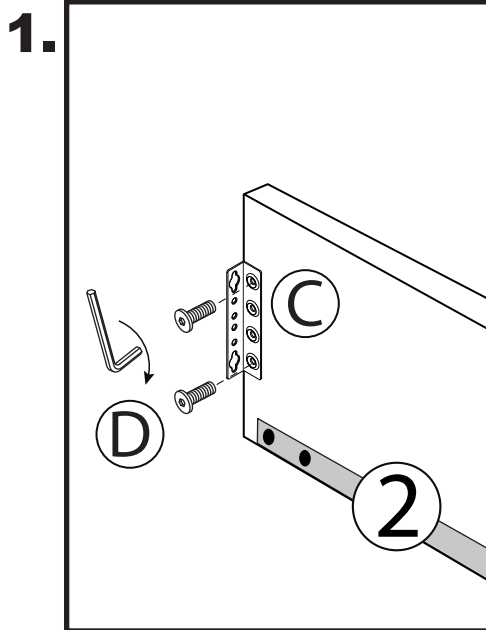
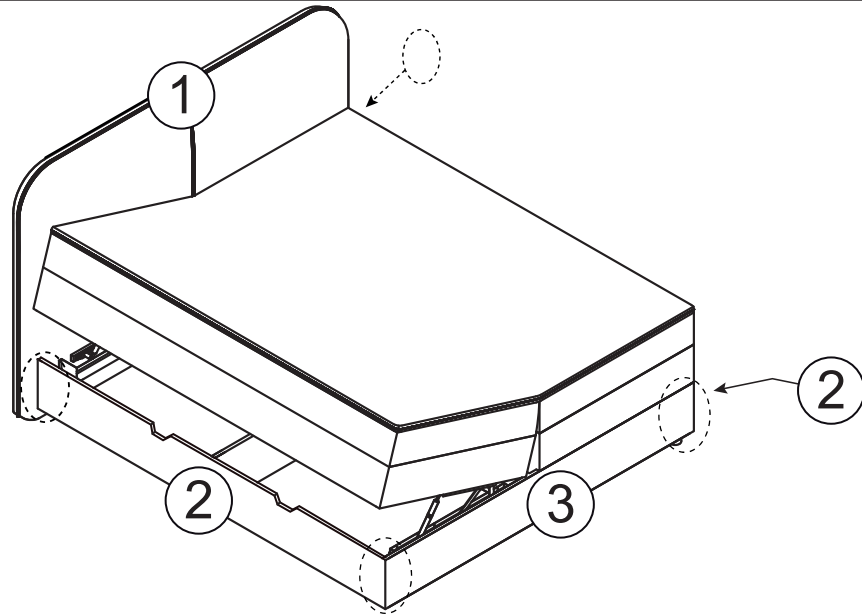
160 cm
180 cm

| A-12 | B-12 | C-12 | D-12 | E-12 | F-12 | G-12 | H-12 | I-12 |
|---|---|--|--|--|--|--|--|---|
| 2 | - | 18 | 72 | - | - | - | - | 4 |
|  H 50 | - |  |  M6*20 | - | - | - | - |  990*768 990*868 |
| J-12 | K-12 | L-12 | M-12 | N-12 | OL/OR-12 | P-12 | Q-12 | R-12 |
| - | 8 | 8 | 4 | - | 2 / 2 | 14 | 4 | 16 |
| - |  M8*50 |  M8 |  36 cm 350 N | - |  |  M8*20 |  730*95*60 |  4*15 |
| S-12 | T-12 | U-12 | V-12 | W-12 | X-12 | Y-12 | Z-12 | AA-12 |
| 10 | 6 | 2 | 1 | 1 / 1 / 1 | 2 | - | 2 | - |
|  M8 |  M8*60 |  776 / 876* 200 |  1990* 200*70 |  4 / 5 / 13 |  | - |  560*30*30 | - |
| AB-12 | AC-12 | AD-12 | AE-12 | AF-12 | AG-12 | AH-12 | AI-12 | AJ-12 |
| - | 2 | 2 | 68 | 2 | - | 4 | 4 | 4 |
| - |  760/860* 1965 |  865*60*30 |  4*25 |  | - |  795/895* 198 |  1965*198 |  M6*50 |
| | | | | | | | | |
|  |  |  60 min |  cm |  < 110 KG < 110 KG | | | | |

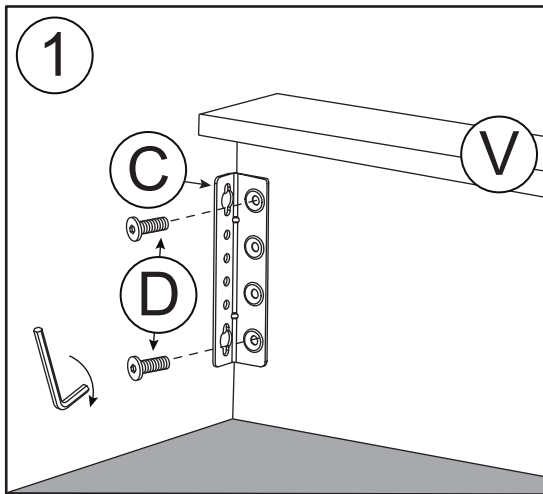
Info



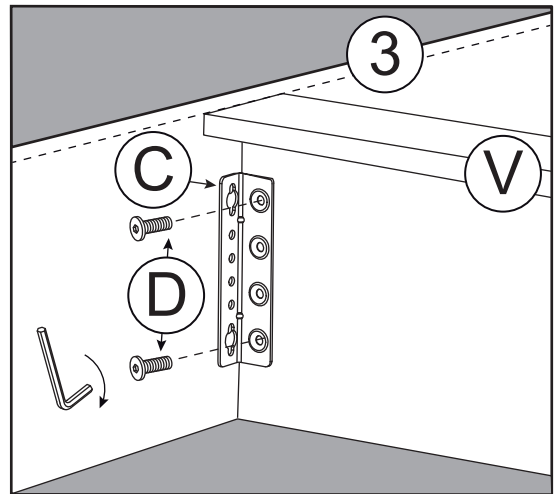
1



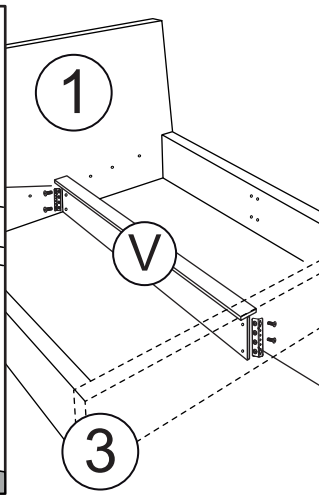
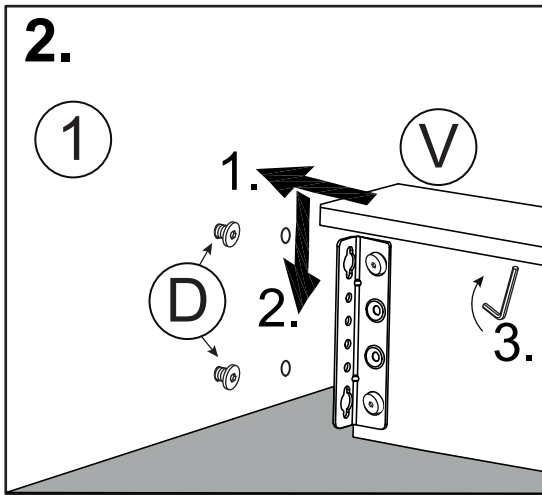
2



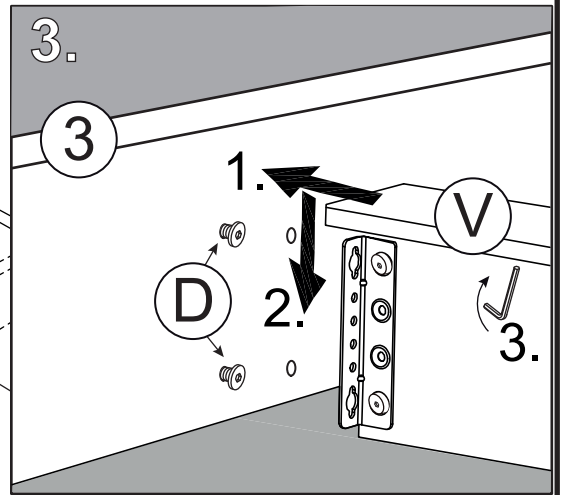
1.



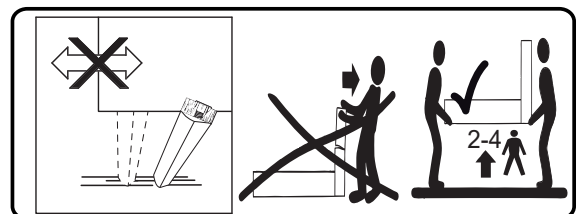
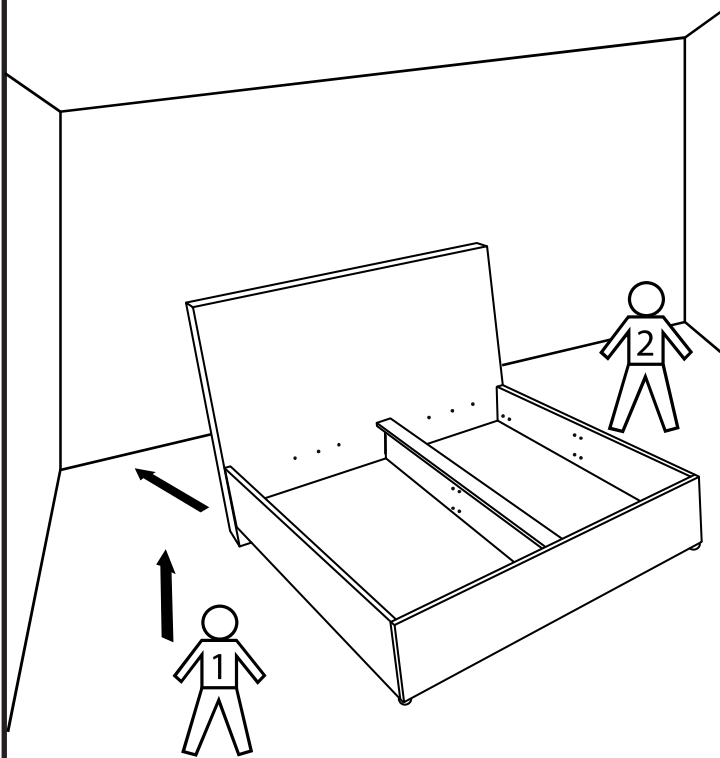
2.



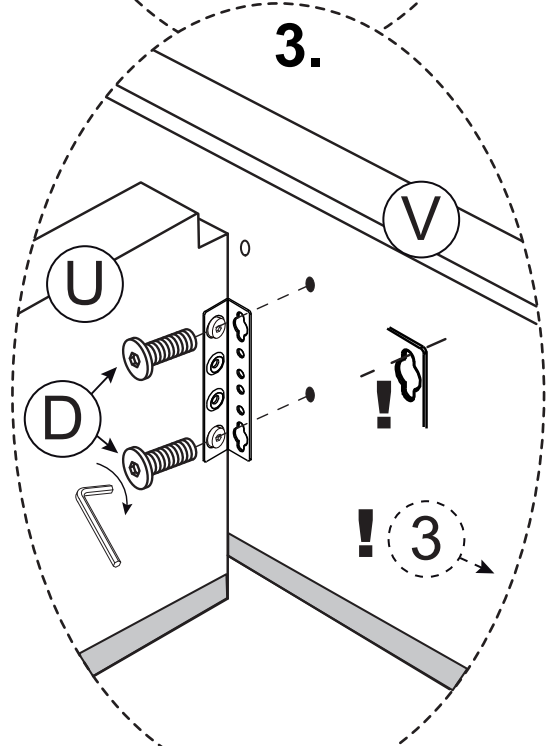
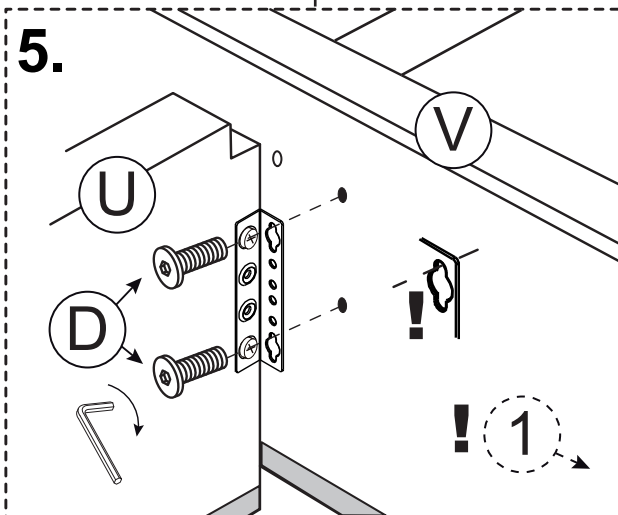
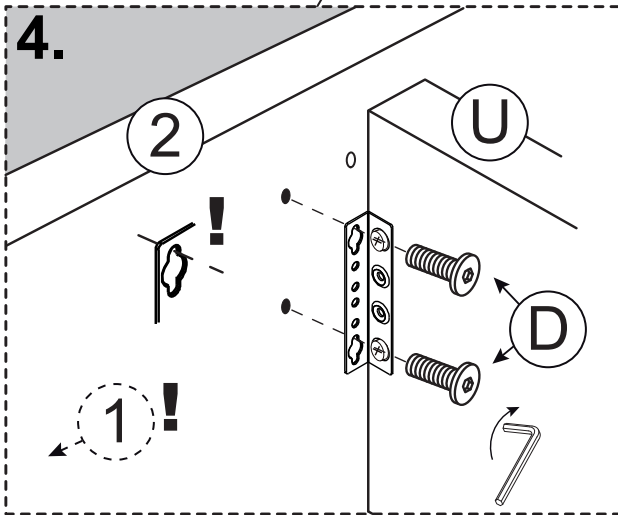
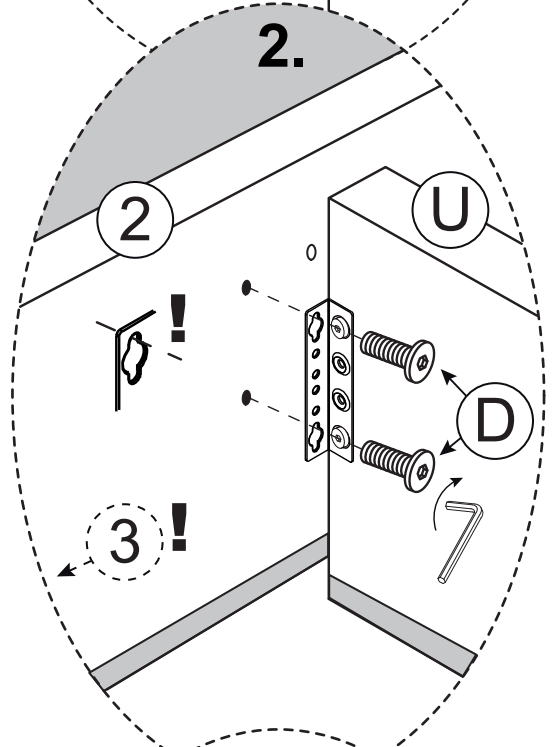
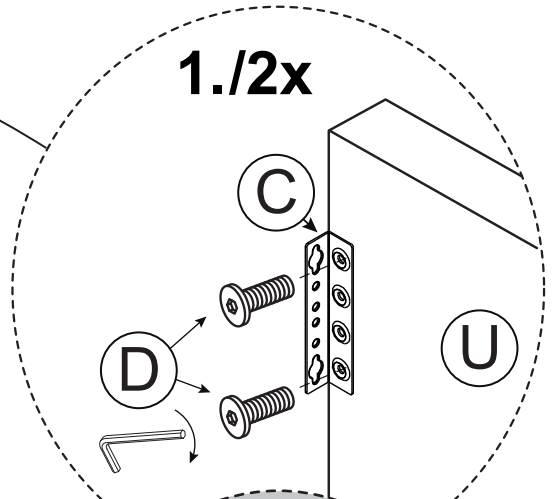
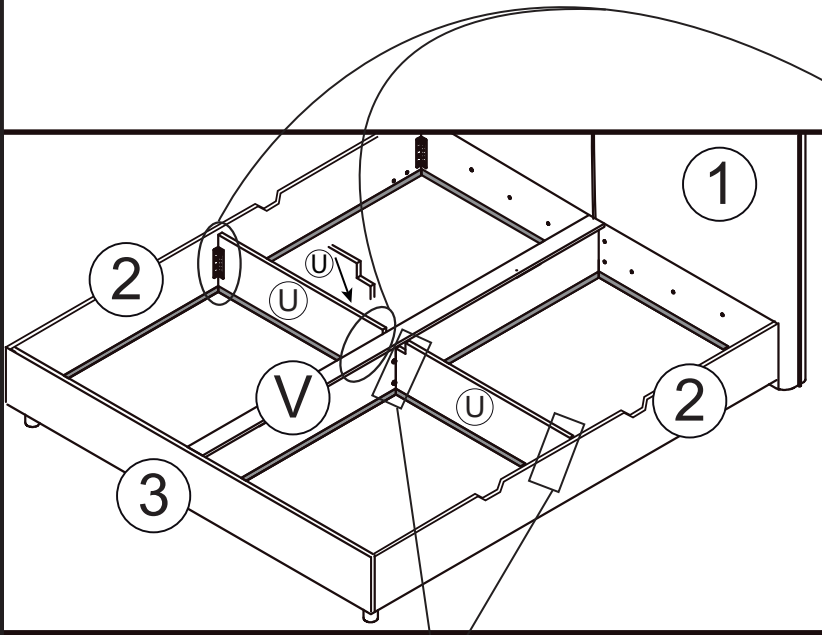
3.



3

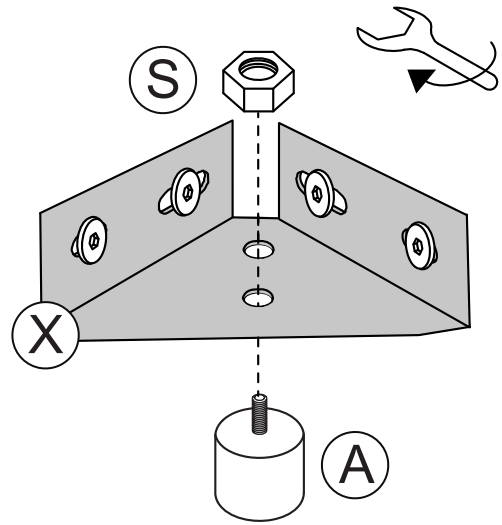
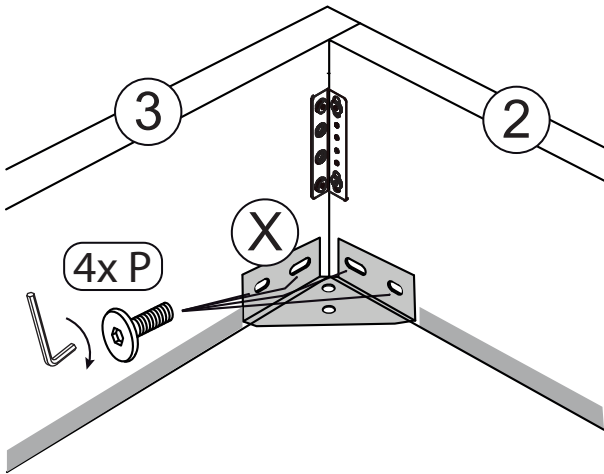


4

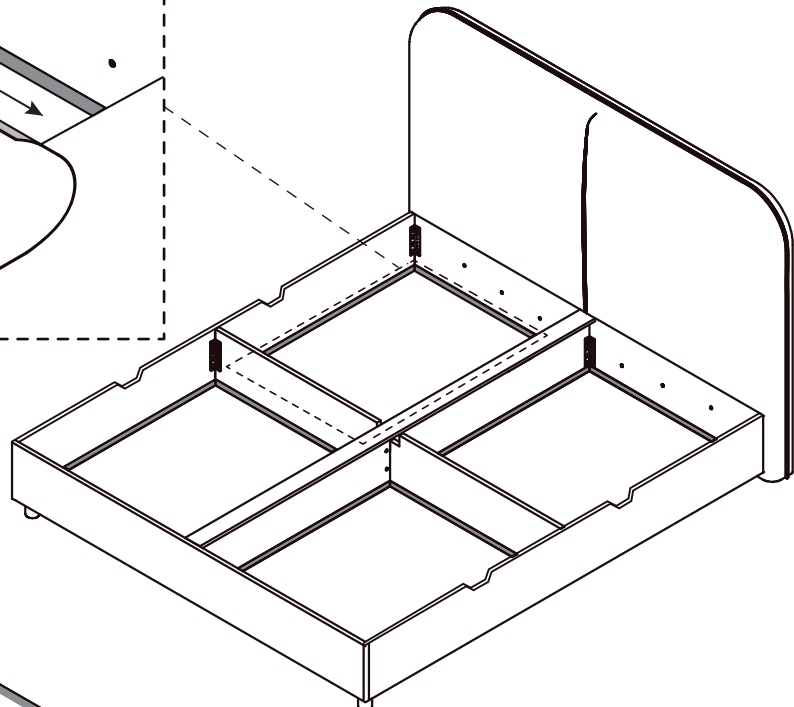
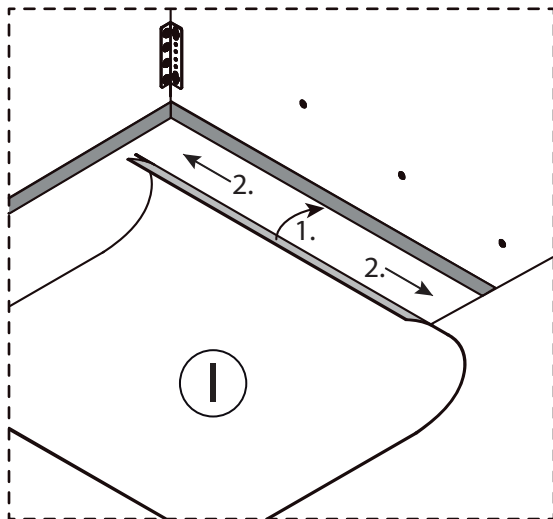


5

2x



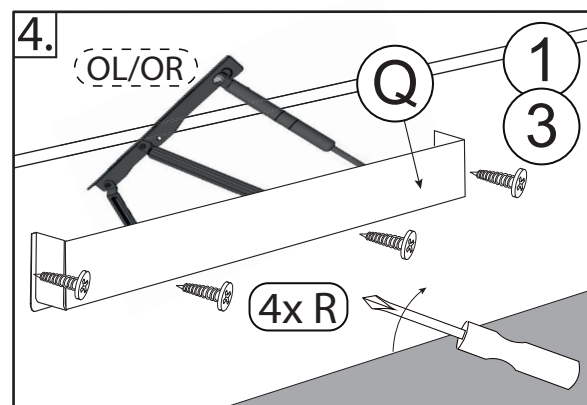
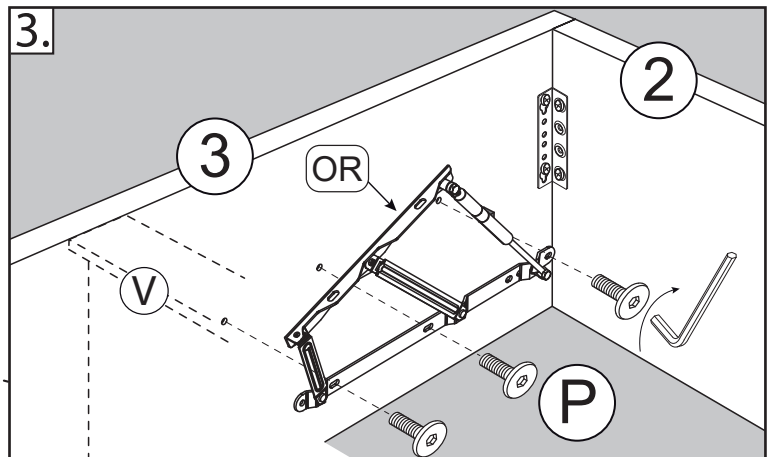
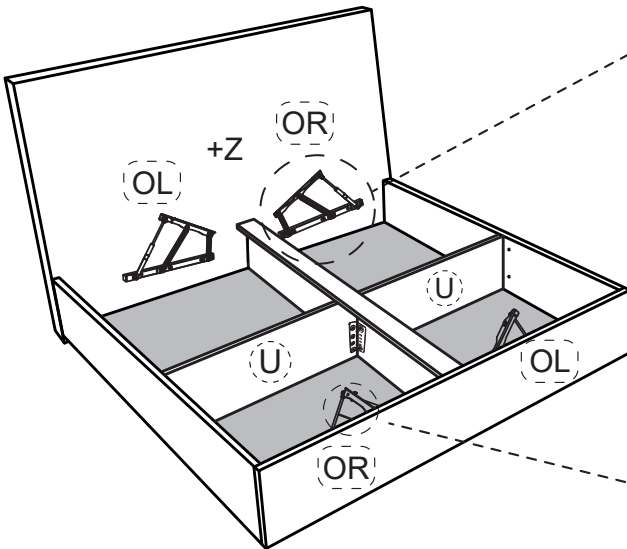
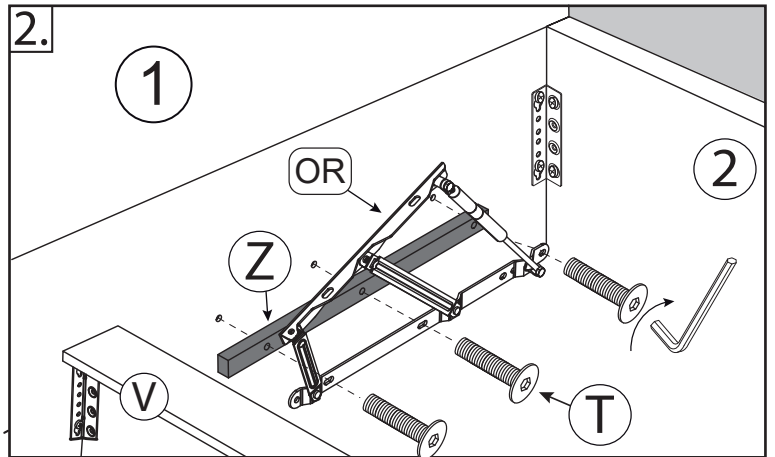
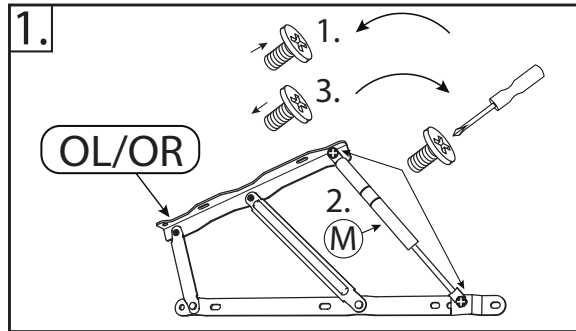
6



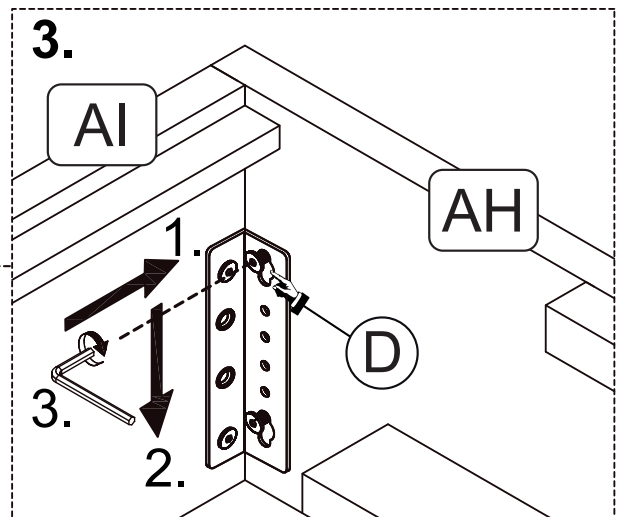
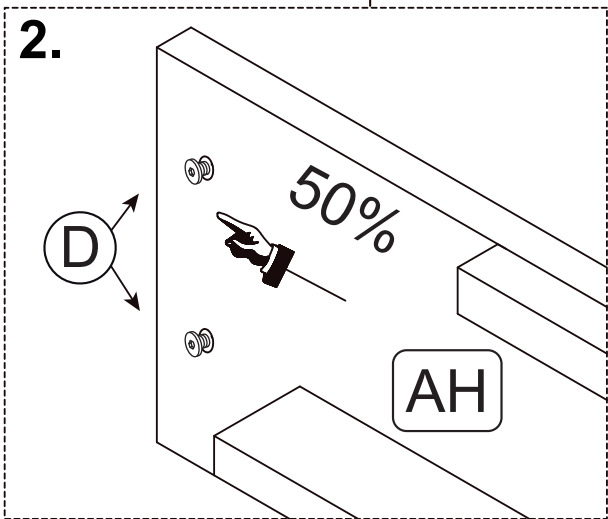
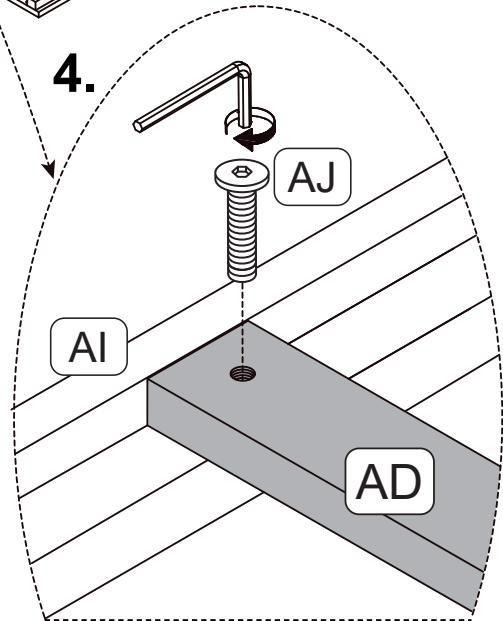
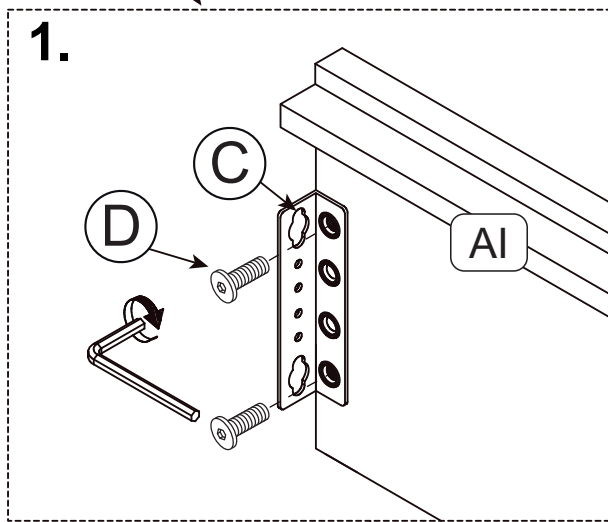
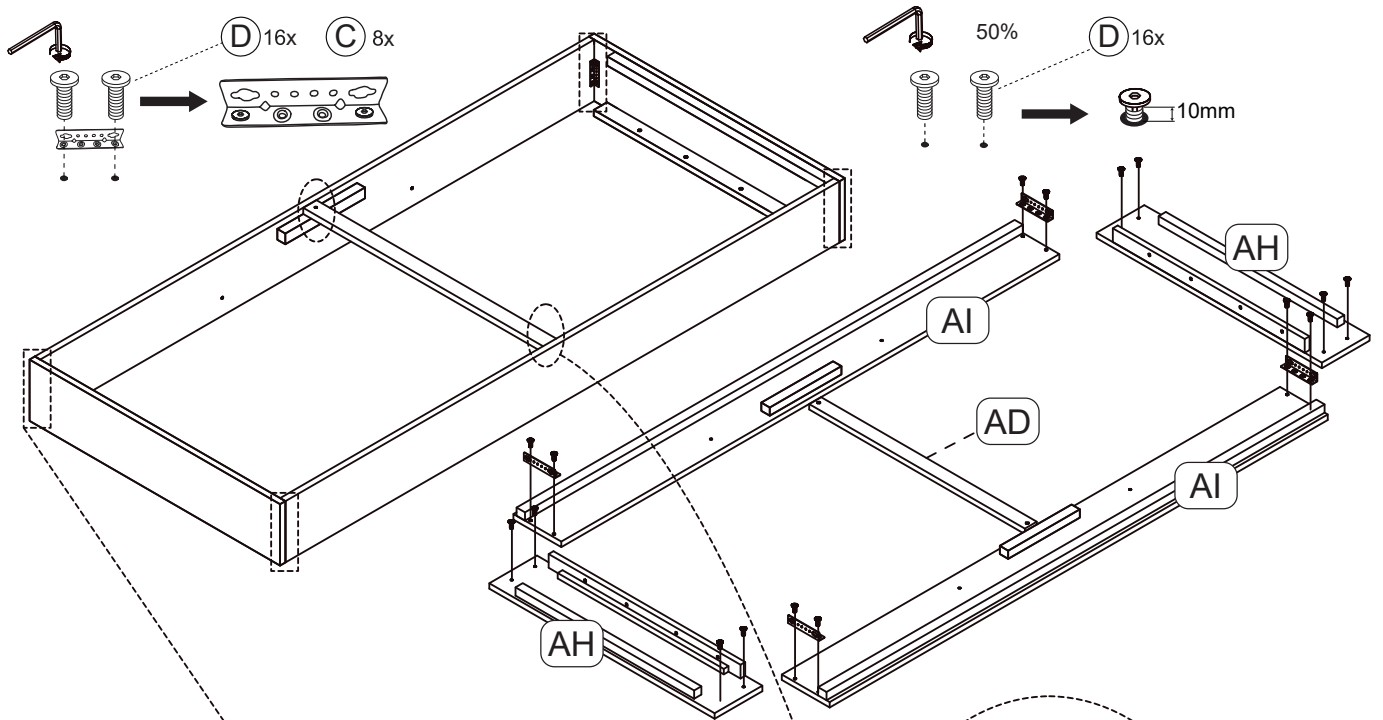
4x



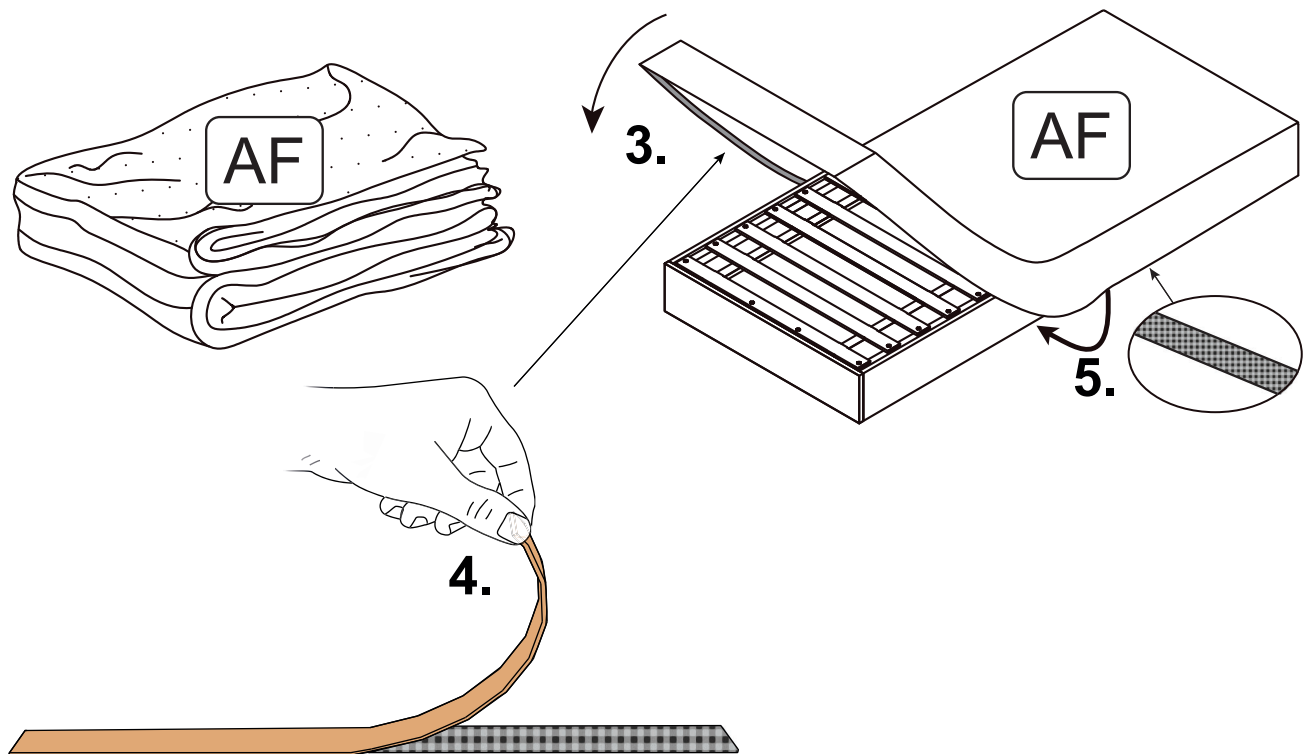
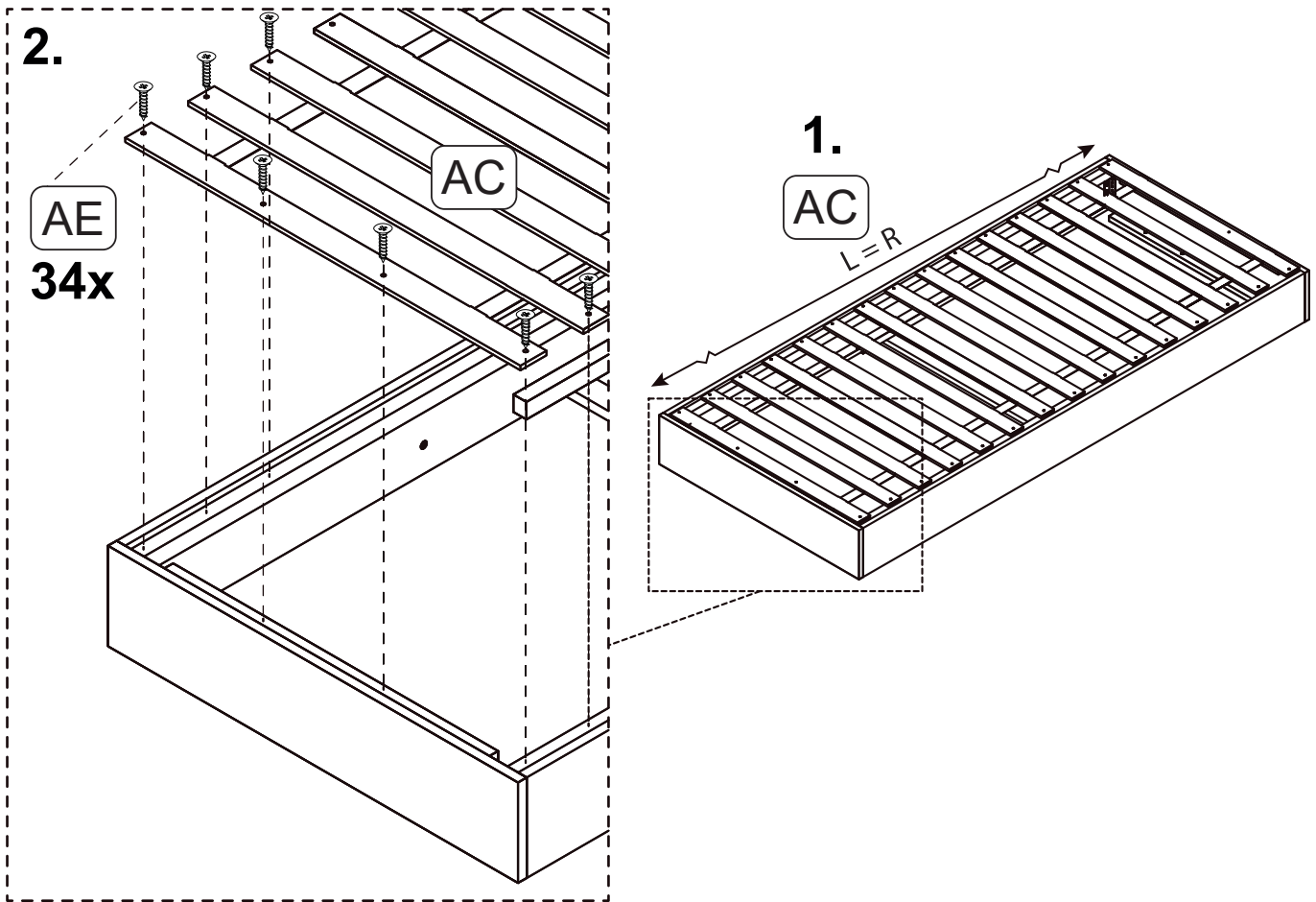
7



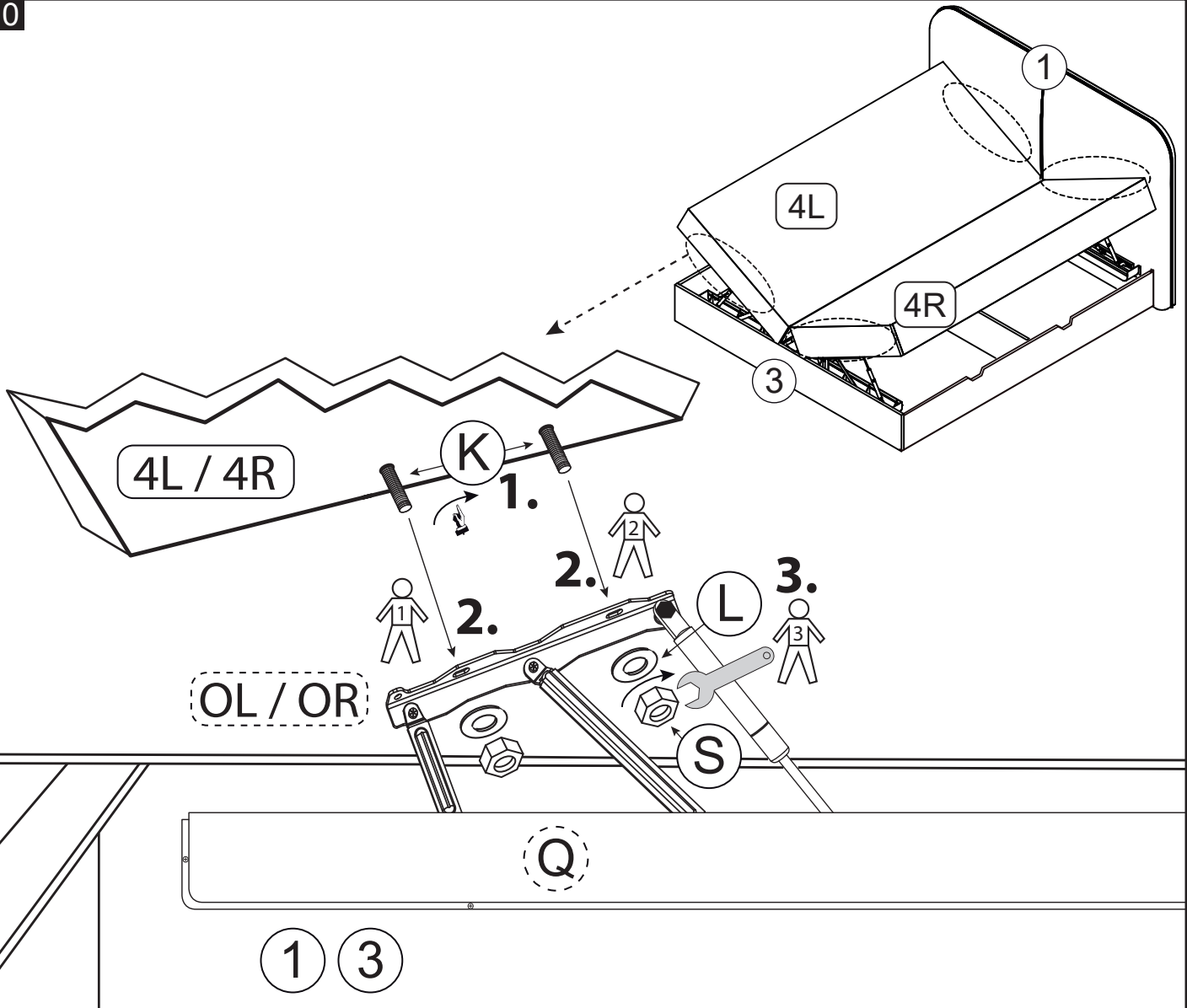
8



9



10



11

