

Smart Wire-Free Security Camera System

Tapo C420S1



2K
QHD

Tapo C420S2



works with alexa

Tapo C420S4

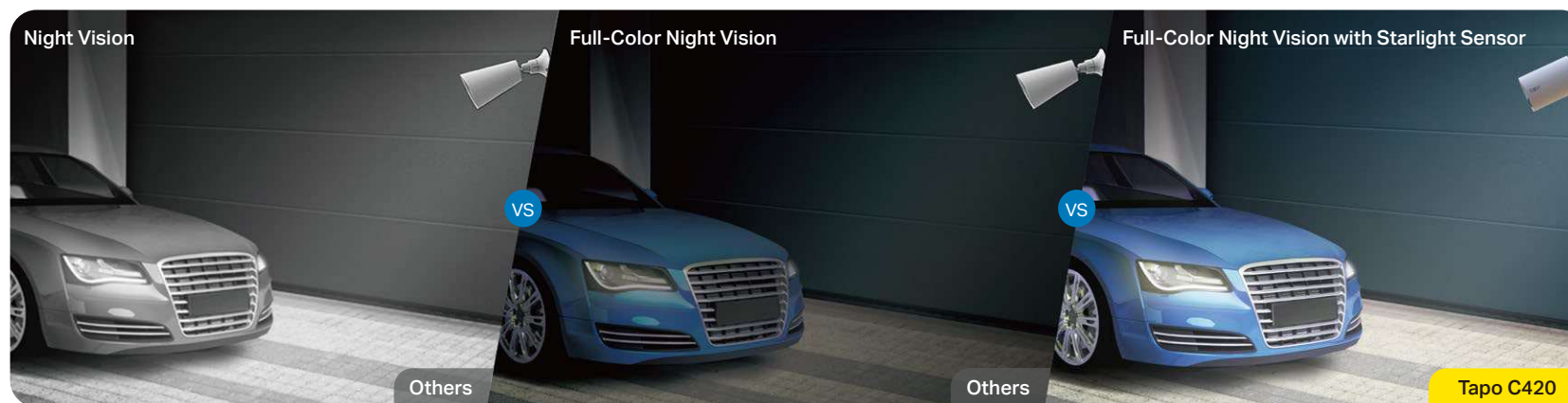


works with Google Home

// Highlight

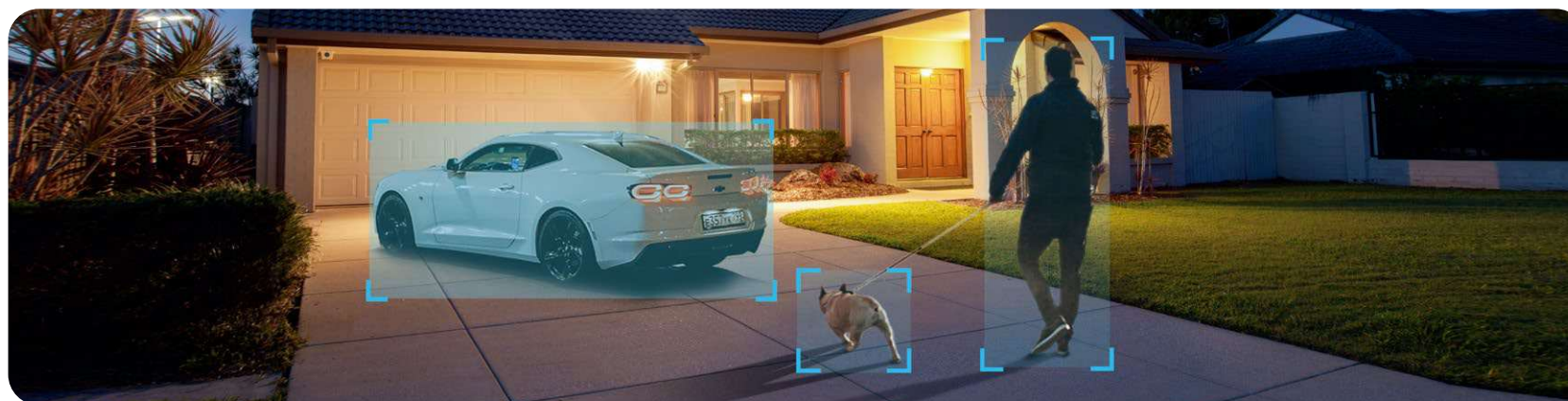
Enhanced Color Night Vision

Reveal high-fidelity details and color at night with the spotlights and starlight sensor.



Free Person/Pet/Vehicle Detection

Smart AI identifies people, pets, and vehicles, notifying users as needed.



// Features



2K QHD

Now with 1.7 times more pixels than 1080p, providing clearer videos and photos.



Color Night Vision

Reveal high-fidelity details and color at night with the starlight sensor.



180-Day Battery Life^Δ

The rechargeable and removable battery with a low-power protocol extends your usage.



Wire-Free Placement

No wires means you can place the cameras almost anywhere inside or outside – whatever works for you!



Sound and Light Alarm

Trigger sound and light as an alarm when motion is detected.



Two-Way Audio

Enables communication through a built-in microphone and speaker.



IP65 Weatherproof

Helps Tapo camera perform well even in harsh environments with rain and dust.

Note: The hub can be used indoor only.



Flexible Storage Choices

Save recorded videos on the hub-installed microSD card[†] (up to 512 GB) or by using Tapo Care^{**} cloud storage services.

// Specifications

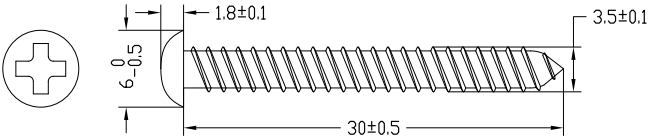
Camera	Image Sensor	1/3" Progressive Scan CMOS Starlight Sensor
	Lens	Focal Length: 3.2 mm Aperture: F1.6 Field of View: 113° (Diagonal), 97° (Horizontal), 54° (Vertical)
	Night Vision	850 nm IR LED (49 ft / 15 m) Color Night Vision
	Night Mode	IR Mode / Full-Color Mode / Smart Mode
	Day/Night Switch	IR-Cut Filter with Auto-Switching
	Lighting	2× Built-in Spotlights
	Interface & Button	1× SYNC/RESET Button
	Hub Compatibility	Compatible with H200 (Included)
Hub	Device Compatibility	Works with Tapo smart sensors, buttons, Sub-1G switches, cameras, and video doorbells. Supported Products: T100/T110/T300/T310/T315/S200B/S200D/S210/S220 C420/C400/D230... More coming soon: https://www.tp-link.com/tapo-h200/product-list/
	Connection Capacity	Up to 64 Sub-1G switches, sensors, or buttons + 4 cameras or video doorbells

Hub	Interface & Button	1× Ethernet Port 1× RESET Button 1× SYNC Button 1× microSD Card Slot (Up to 512 GB)
Video & Audio	Maximum Resolution	2K QHD 4MP (2560 × 1440 px)
	Frame Rate	15 fps/20 fps
	Digital Zoom	12×
	Video Compression	H.264
	Live View	Yes
	Image Enhancement	3D DNR WDR
	Audio Input & Output	Built-in Microphone and Speaker
	Audio Communication	Two-Way Audio with Noise Cancellation
Storage	Local Storage	microSD Card Slot on Hub (Up to 512 GB)
	Cloud Storage	Tapo Care Cloud Storage Services (Subscription required)

Detection & Notification	Sensor	Single Motion Sensor (FOV: 110° horizontal) Single Ambient Light Sensors
	Detection	Motion Detection Person Detection Pet Detection Vehicle Detection
	Activity Zones	Yes
	Output Notification	System Notification System Notification with Snapshot (Tapo Care Services) System Notification with Clips (Tapo Care Services)
Network	Network Connectivity	Connect via Wi-Fi or Ethernet
	Wireless Connectivity	IEEE 802.11b/g/n, 2.4 GHz Wi-Fi Sub-1G, 868MHz or 922MHz (Used for local connection between camera and hub)
	Transmission Rate	Camera: 11b: 11 Mbps 11g: 54 Mbps 11n: 72.2 Mbps Hub: 11b: 11 Mbps 11g: 54 Mbps 11n: 300 Mbps
	Protocol	TCP/IP, ICMP, DNS, HTTPS, TCP, UDP
	Max. Distance Between Hub and Camera/Doorbell	524.93 ft / 160 m *
Network	Ethernet Port	1× 10/100 Mbps RJ45 Port on Hub

*Actual distance will vary based on many factors, such as the thickness of the walls, obstructions within the house, and the location of the router.

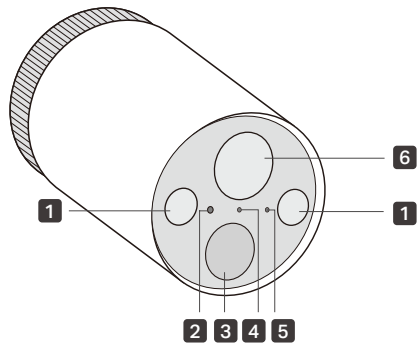
Security	Security	128-bit AES Encryption with SSL/TLS WPA/WPA2-PSK
Power	Power Source	Hub: 9V DC Power Adapter Camera: Removable Rechargeable Lithium-ion Battery Optional Solar Panel: Tapo A200 (Sold separately)
	Input Voltage	Camera Battery Pack Adapter Input: 100-240 V, 50/60 Hz Hub Adapter Input: 100-240 V, 50/60 Hz, 0.3 A
	Output Voltage	Camera Battery Pack Adapter Output: 5.0 V, 1.0 A Hub Adapter Output: 9.0 V, 0.85 A
	DC Power Connector Size	Hub Adapter: Inside Ø: 0.08 in. / 2.1 mm Outside Ø: 0.22 in. / 5.5 mm
	Power Cord Length	Hub Adapter Cord Length: 4.92 ft / 1.5 m USB Adapter Cable Length: 1.64 ft / 0.5 m
	Typical Power Consumption	Camera Typical Power Consumption: 0.928 W
	Maximum Power Consumption	Camera Max Power Consumption: 2.39 W
	General	Certifications
Smart Integration		Google Assistant, Amazon Alexa
Weather Resistance		IP65 (Camera)
System Requirements		Tapo App: iOS 11.0 or higher, Android 5.0 or higher
Mounting Options		Tabletop Ceiling-Mounted Wall-Mounted

General	Operating Temperature	Camera: -20°C ~ 45°C (-4 °F ~ 113 °F) Hub: 0°C ~ 40°C (32 °F ~ 104 °F)
	Storage Temperature	-20°C ~ 60°C (-4 °F ~ 140 °F)
	Operating Humidity	10%~90% RH, Non-condensing
	Storage Humidity	5%~90% RH, Non-condensing
	Charging Temperature	0°C ~ 55°C (32 °F ~ 131 °F)
	Screw Size	
	Dimensions	Camera Dimensions: 4.35 × 2.52 × 2.52 in (110.6 × 64.2 × 64.2 mm) Hub Dimensions: 2.8 × 2.8 × 1.2 in (71.45 × 71.45 × 31.25 mm)
	Weight	Camera Weight: 5.88 oz / 166.74 g Hub Weight: 2.54 oz / 71.9 g
	Package Contents	For Tapo C420S1: Tapo C420 Camera ×1 Tapo H200 Hub ×1 Tapo A100 Battery ×1 USB Adapter ×1 USB Adapter Cable ×1 Power Adapter ×1 Mounting Anchors ×3 Mounting Screws ×3 Mounting Template ×1 Camera Bracket ×1 RJ45 Ethernet Cable ×1 Quick Start Guide

General	Package Contents	<p>For Tapo C420S2:</p> <ul style="list-style-type: none"> Tapo C420 Cameras ×2 Tapo H200 Hub ×1 Tapo A100 Batteries ×2 USB Adapter ×1 USB Adapter Cable ×1 Power Adapter ×1 Mounting Anchors ×6 Mounting Screws ×6 Mounting Templates ×2 Camera Brackets ×2 RJ45 Ethernet Cable ×1 Quick Start Guide
		<p>For Tapo C420S4:</p> <ul style="list-style-type: none"> Tapo C420 Cameras ×4 Tapo H200 Hub ×1 Tapo A100 Batteries ×4 USB Adapter ×1 USB Adapter Cable ×1 Power Adapter ×1 Mounting Anchors ×12 Mounting Screws ×12 Mounting Templates ×4 Camera Brackets ×4 RJ45 Ethernet Cable ×1 Quick Start Guide

// Appearance

Front



1 Spotlights

2 Light Sensor

3 Motion Sensor

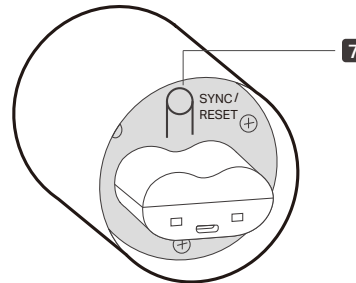
4 Status LED

Indicate the status of your camera.

5 Microphone

6 Lens

Back



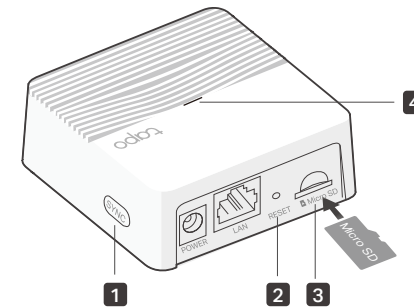
7 SYNC/RESET Button

While the camera is powered on:

Press for 1 second: Pair with the hub

Press and hold for about 5 seconds: Reset the camera

Hub Appearance



1 SYNC Button

Press to pair with the camera, or silence the hub when it rings.

2 RESET

Use a pin to press and hold for about 5 seconds until the hub LED quickly blinks red to reset the hub.

3 microSD Card Slot

Insert a microSD card to record camera videos locally.

Initialize the microSD card within the Tapo app first.

*microSD card not included.

4 Status LED

Indicate the status of your hub.

Notes: Connect up to 4 cameras to a hub.

Note: The hub can be used indoor only.

¹180-day battery life is based on TP-Link's laboratory testing with 10-20 triggered events per day. Actual battery life may vary based on device settings, use, and environmental factors.

²microSD card needs to be purchased separately.

^{**}Tapo Care needs to be subscribed separately.

Specifications are subject to change without notice. All brands and product names are trademarks or registered trademarks of their respective holders.

©2024 TP-Link