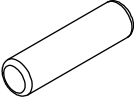


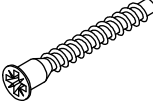
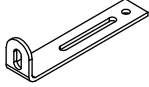

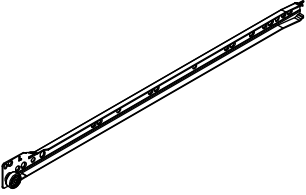
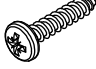
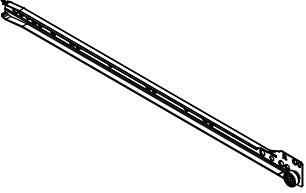
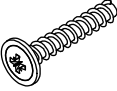
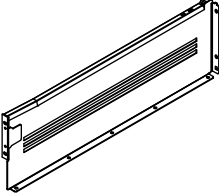

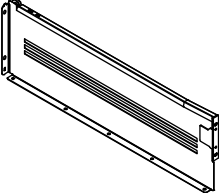

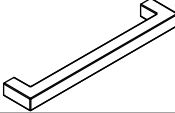
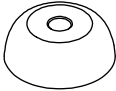
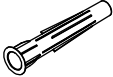
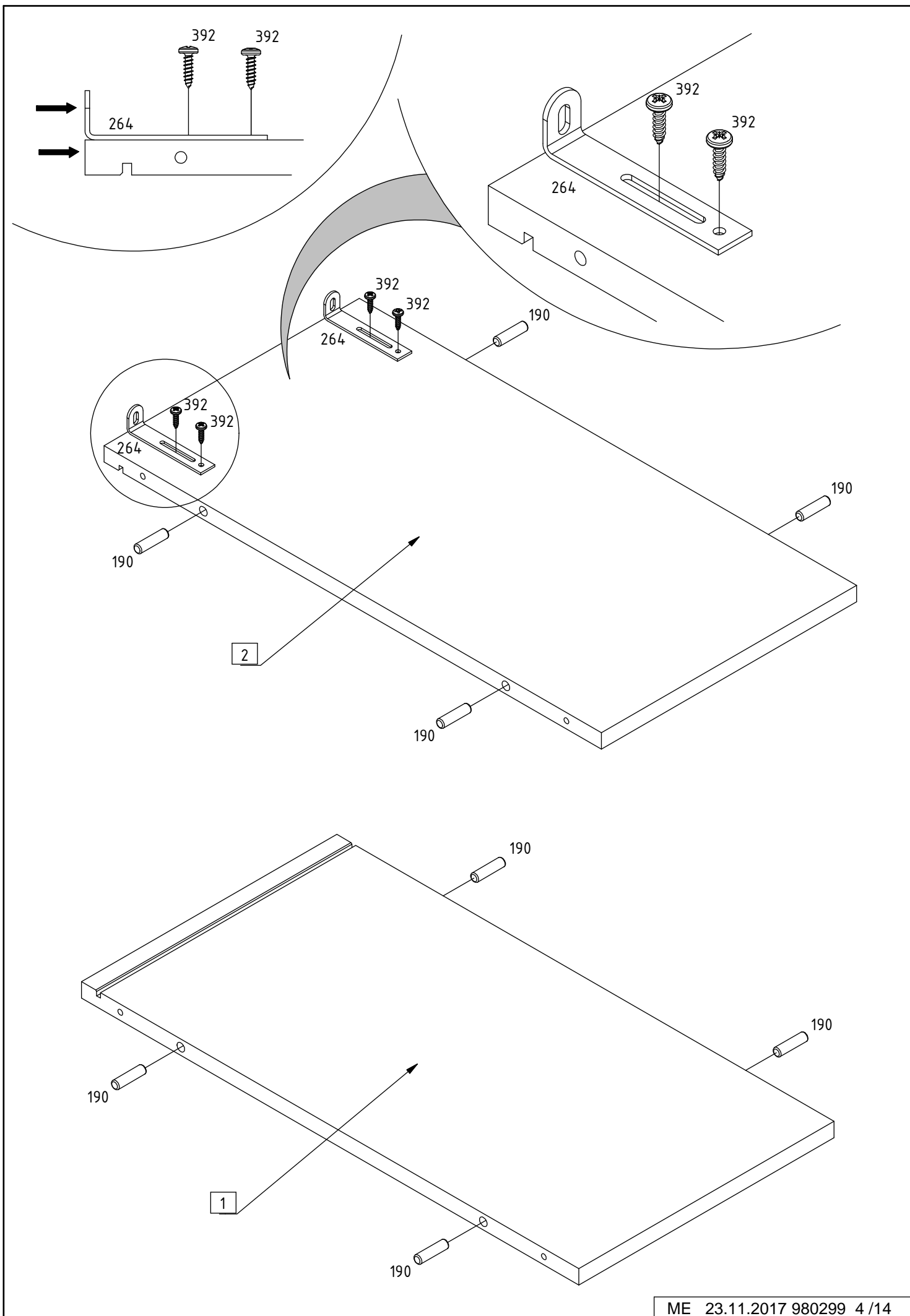
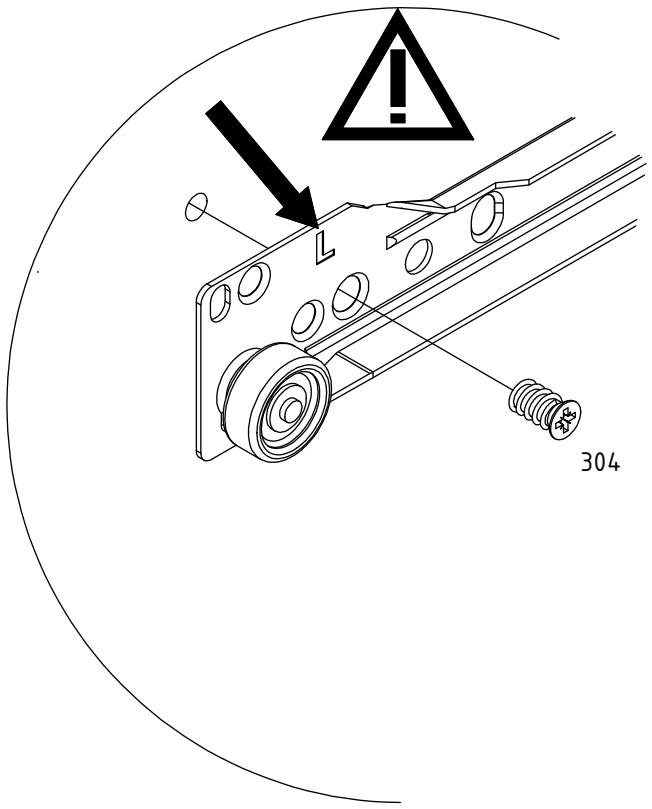
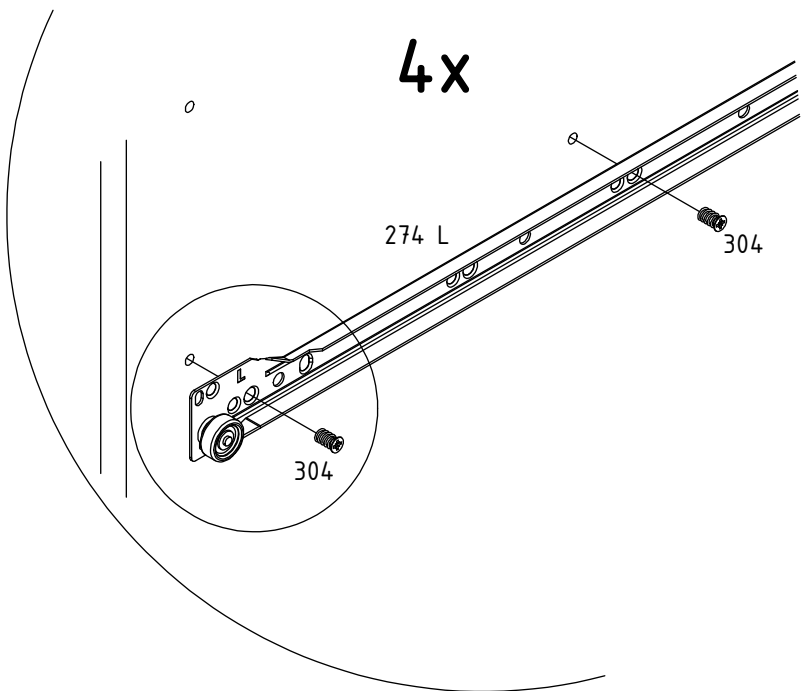
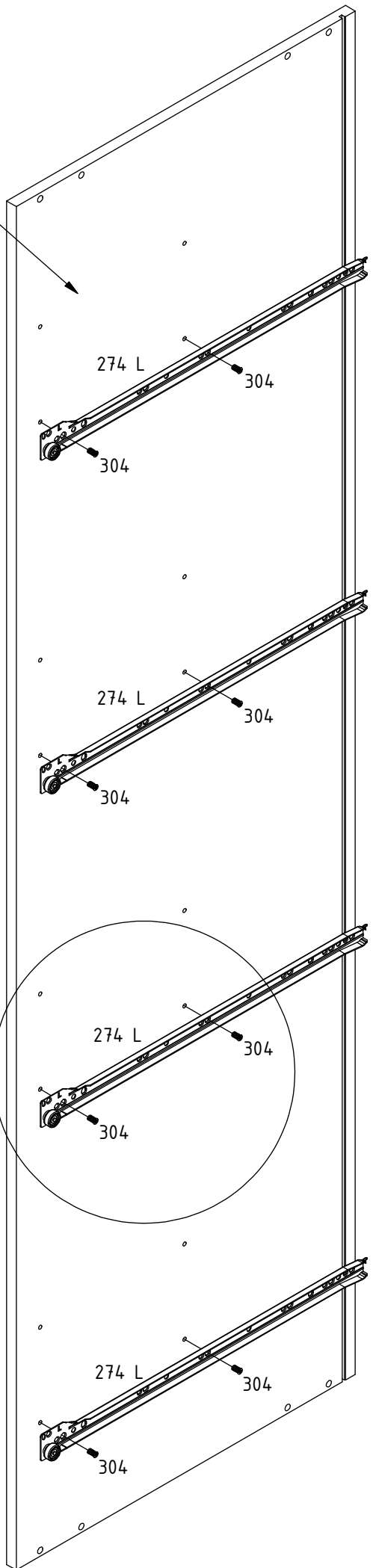


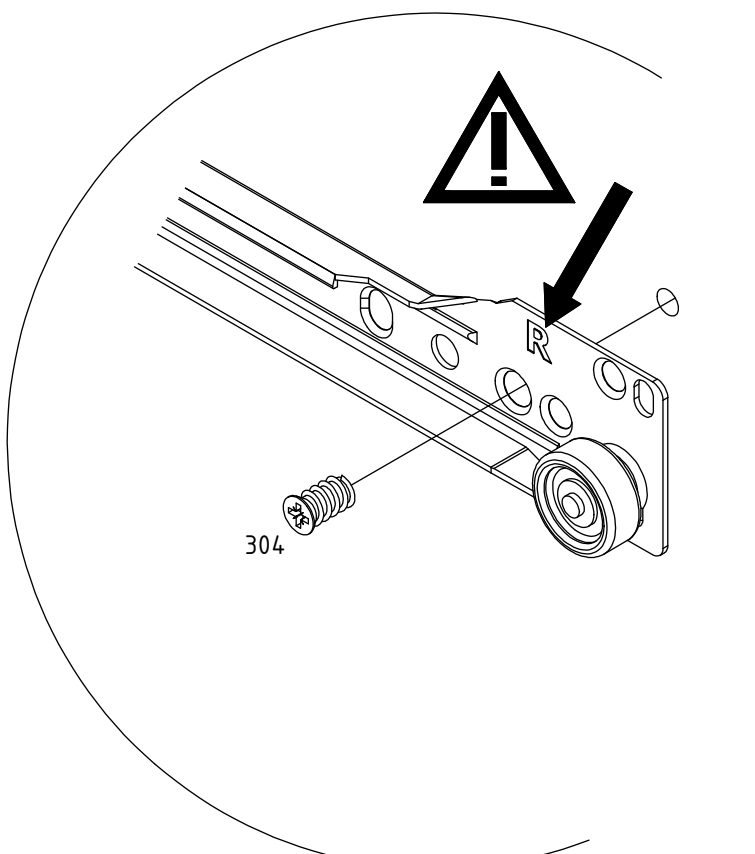
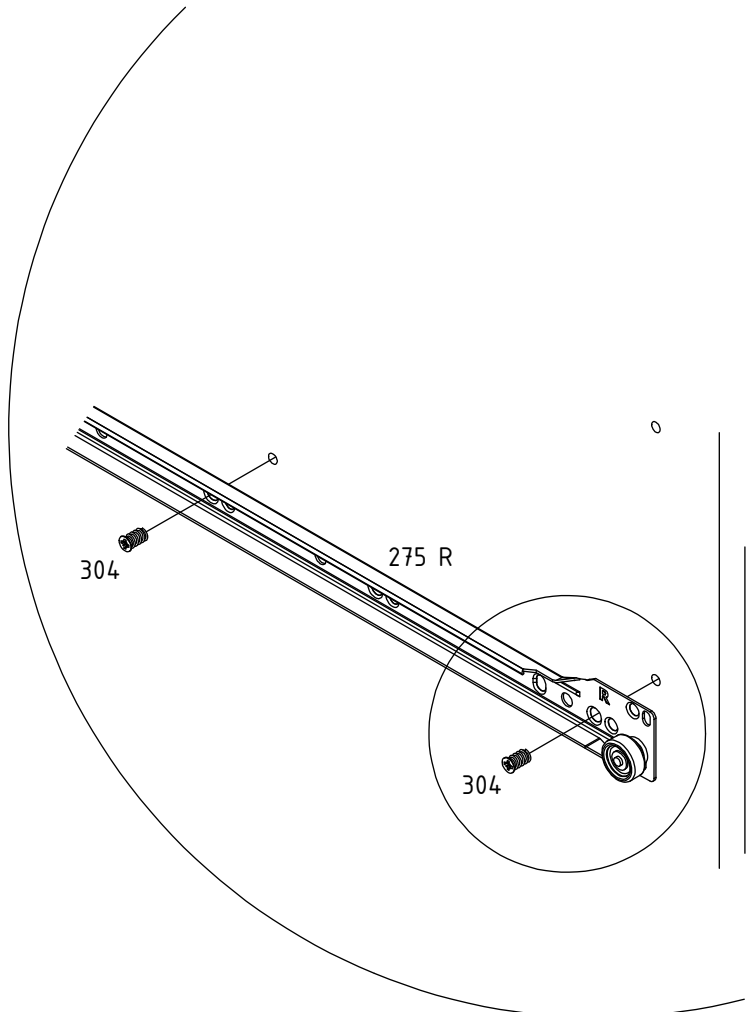
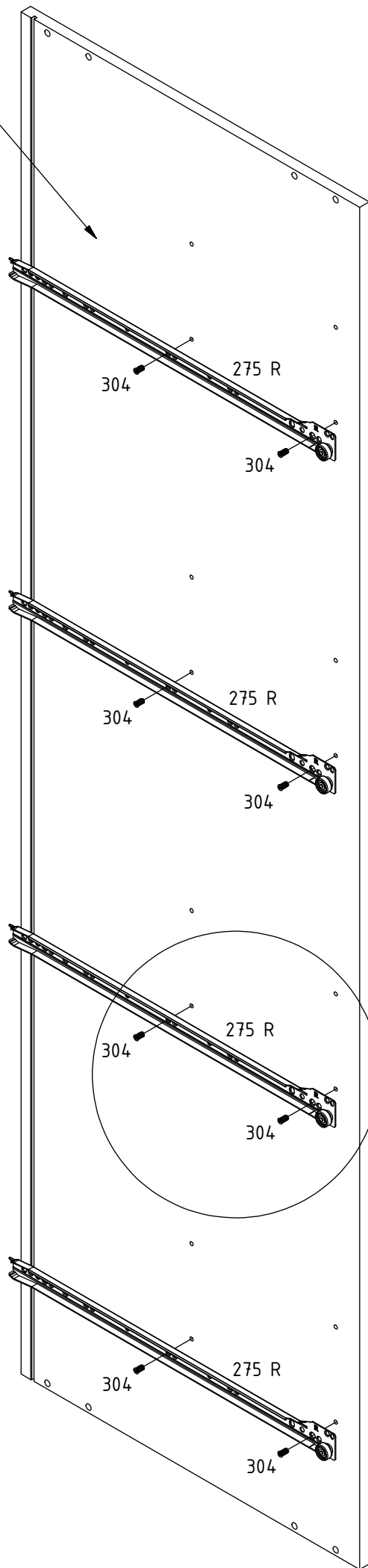
190	8	 $\varnothing 8 \times 30\text{mm}$	304	16	 6 x 10mm
220	8		320	8	 6 x 50mm
264	2		351	64	 3,5 x 15mm
274 L	4		372	4	 4 x 20mm
275 R	4		377	2	 4 x 25mm
276 L	4		391	2	 5 x 50mm
277 R	4		392	4	 4 x 15mm
			503	1	
			737	4	
			741	2	

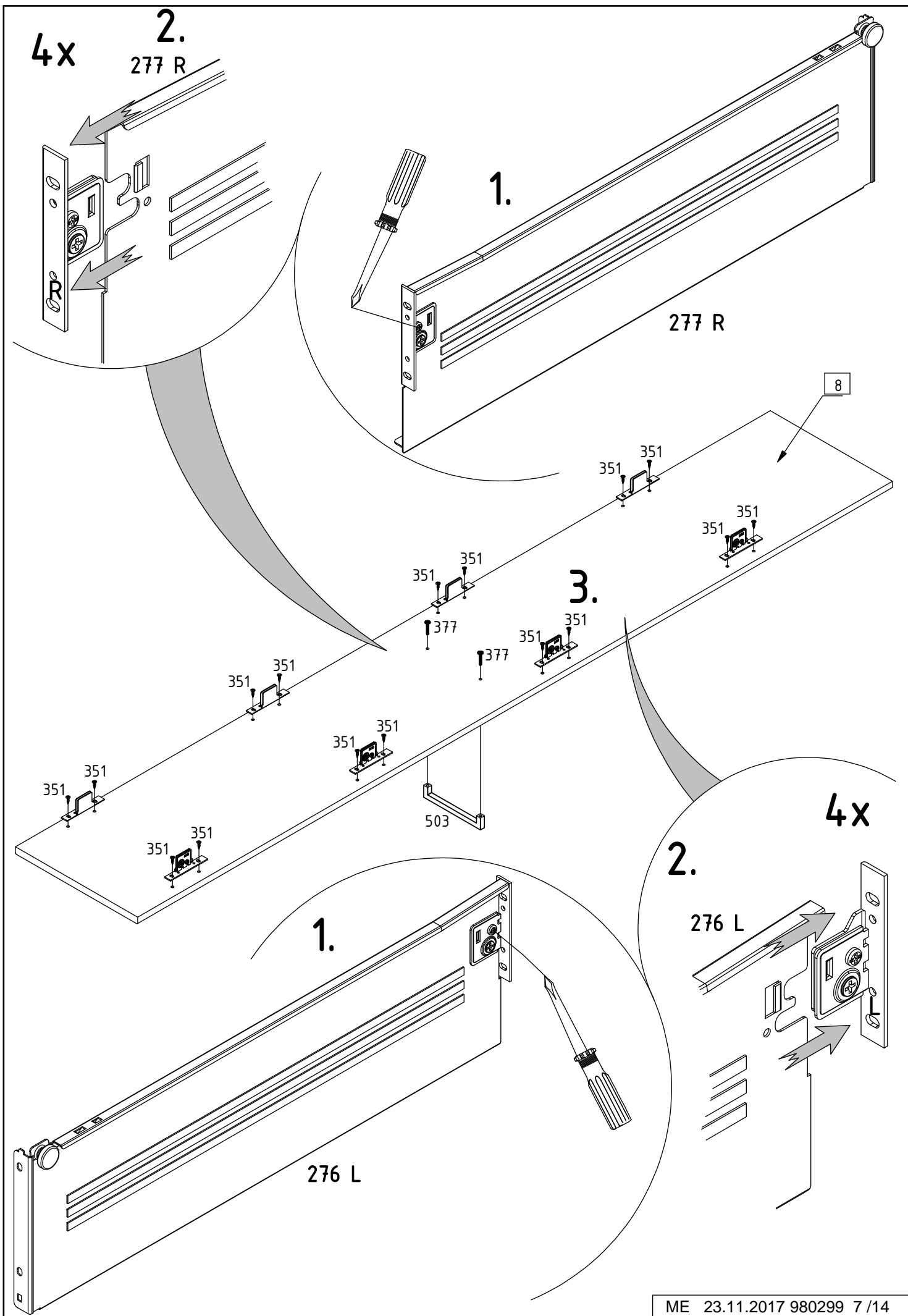


4



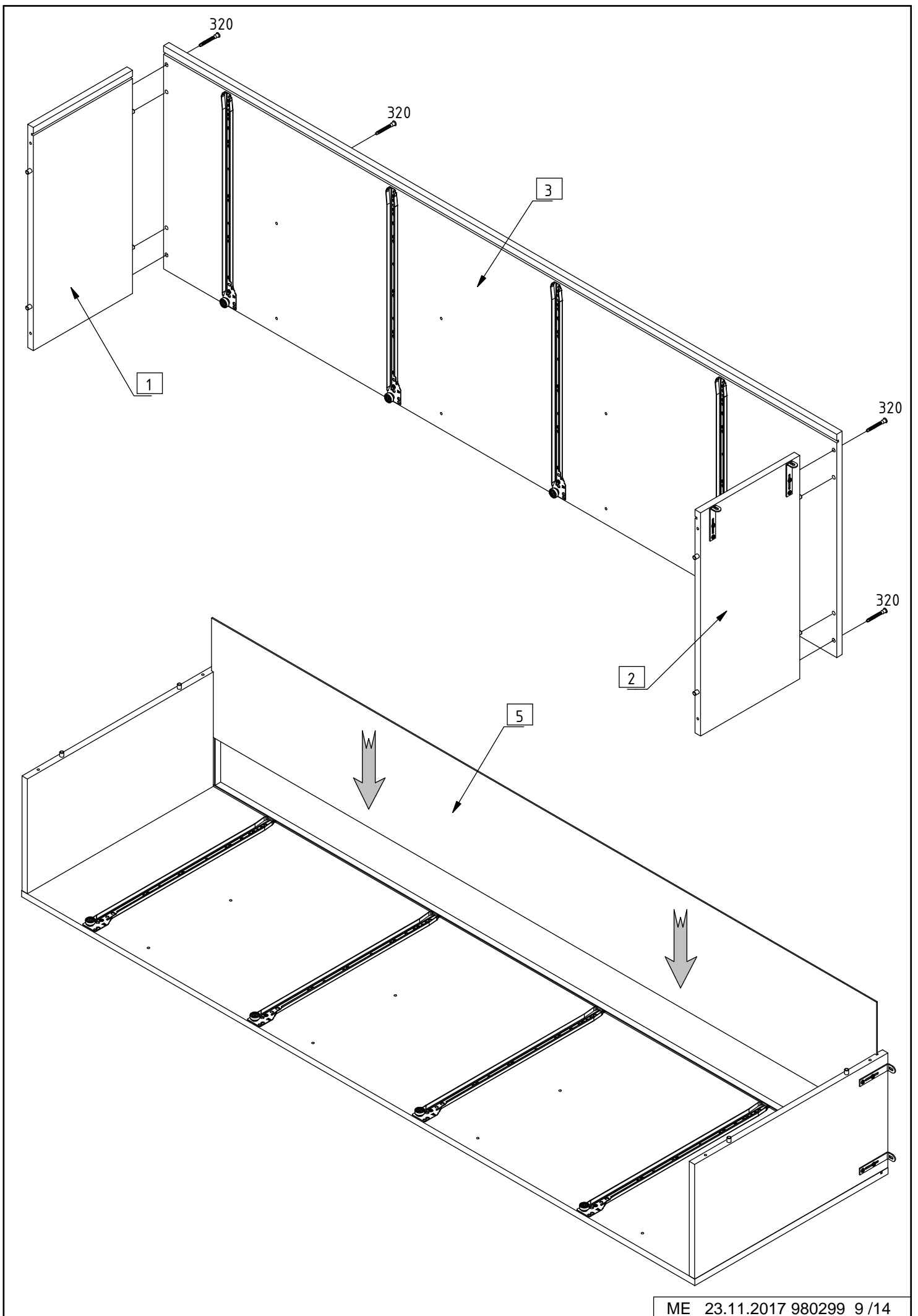
3

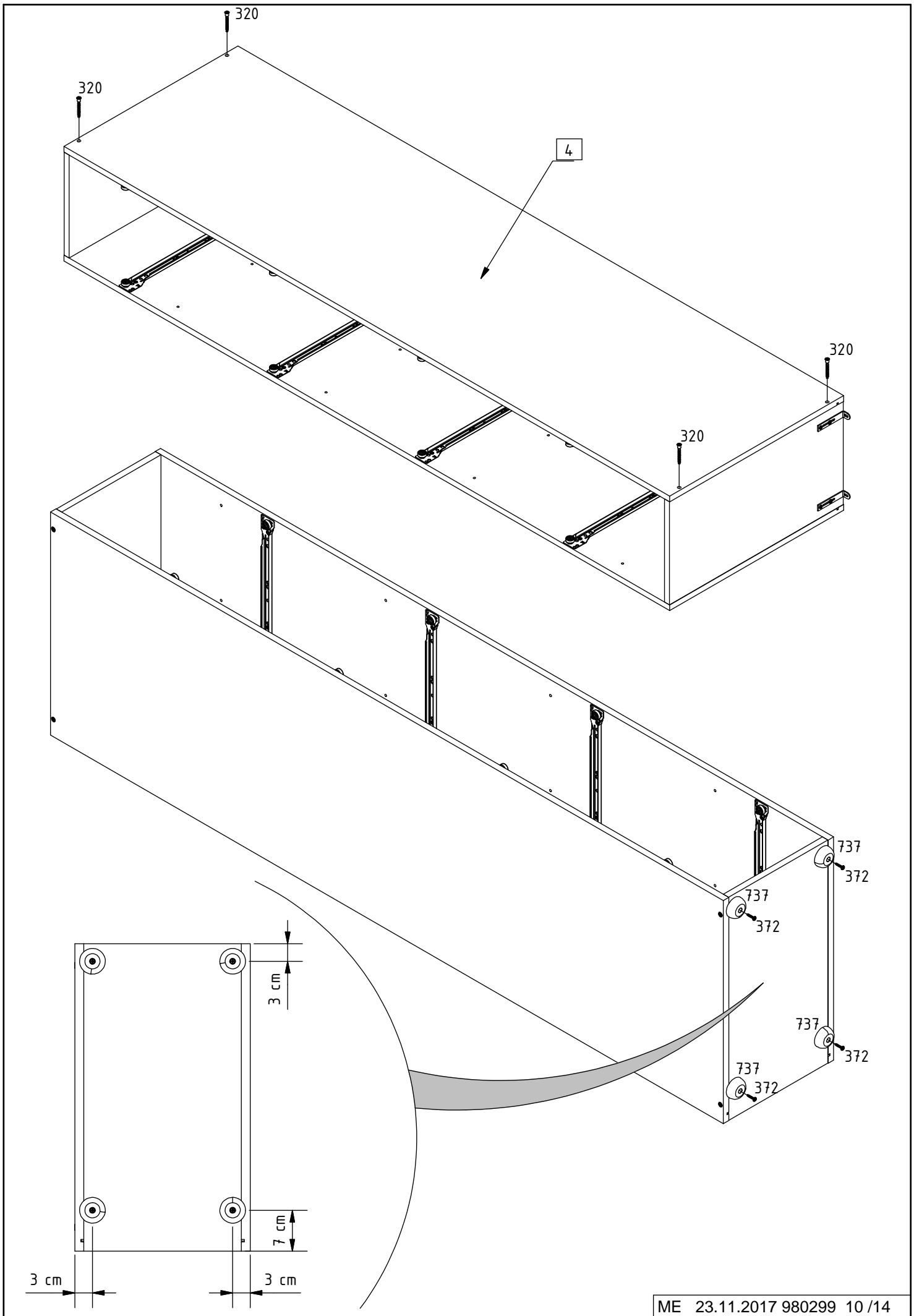


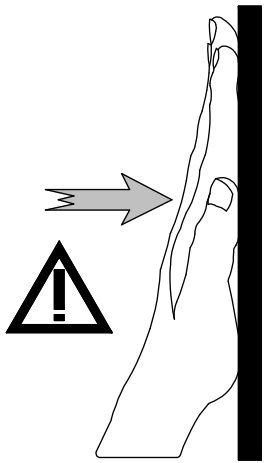




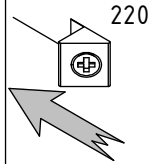




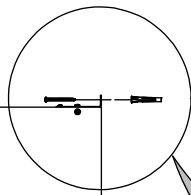
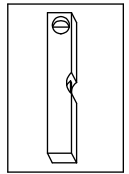
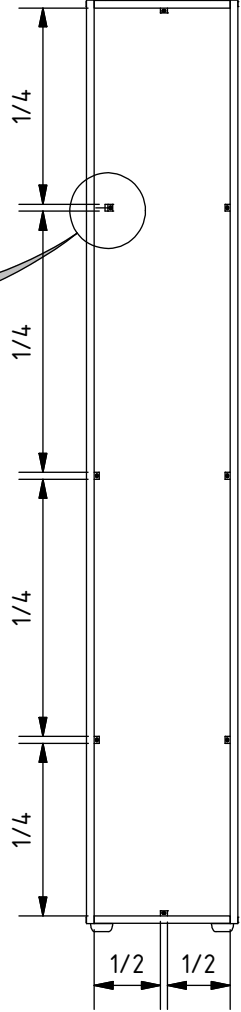
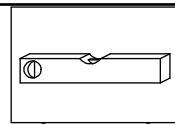




8x

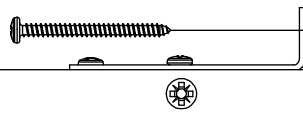


220

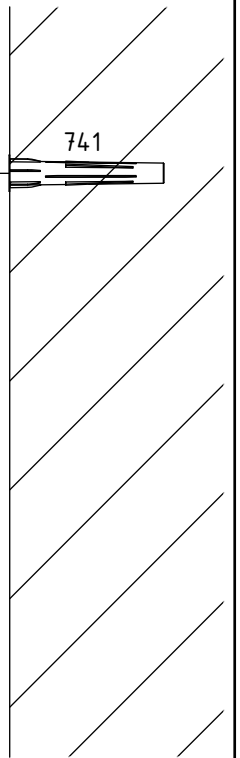


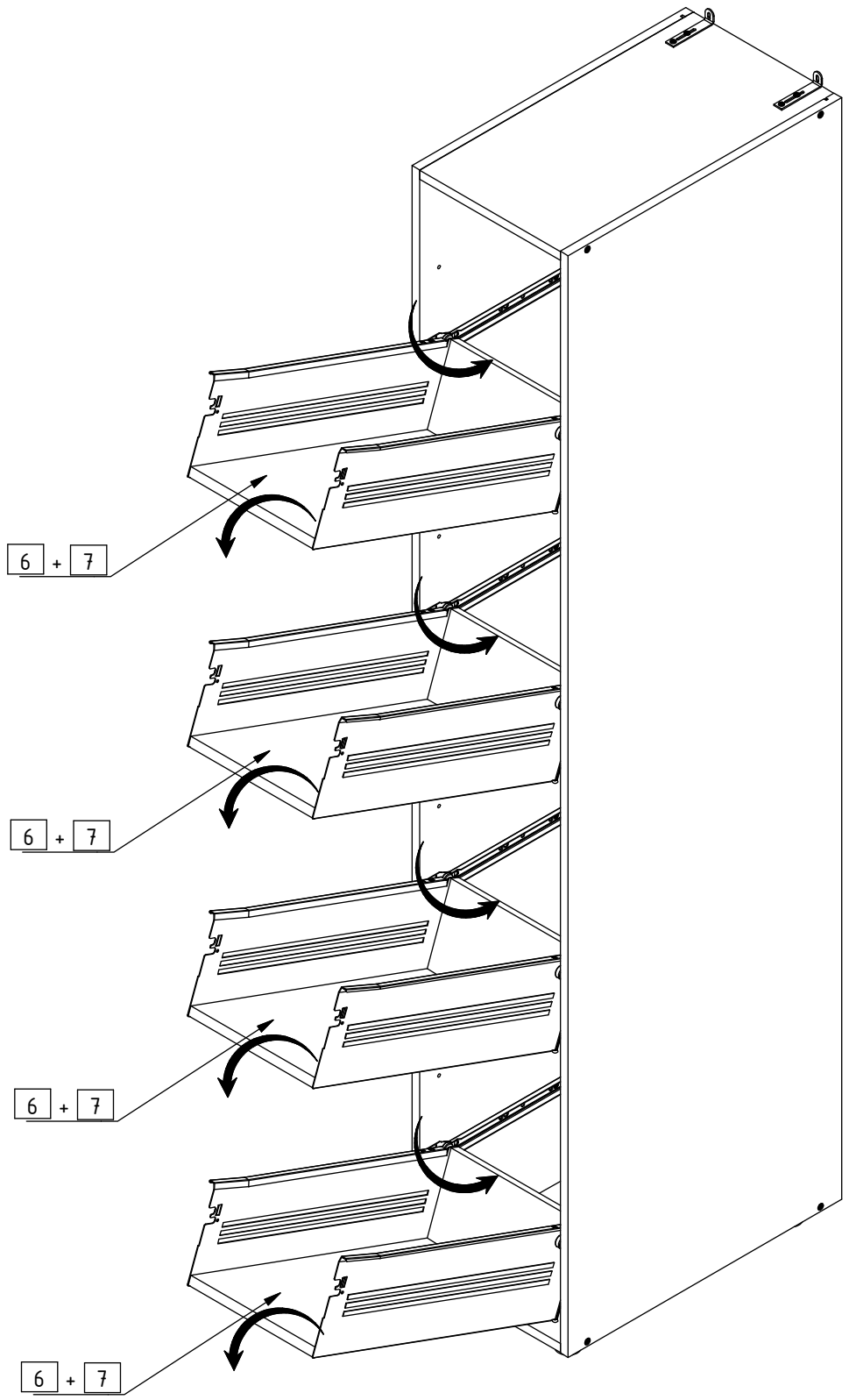
2x

391

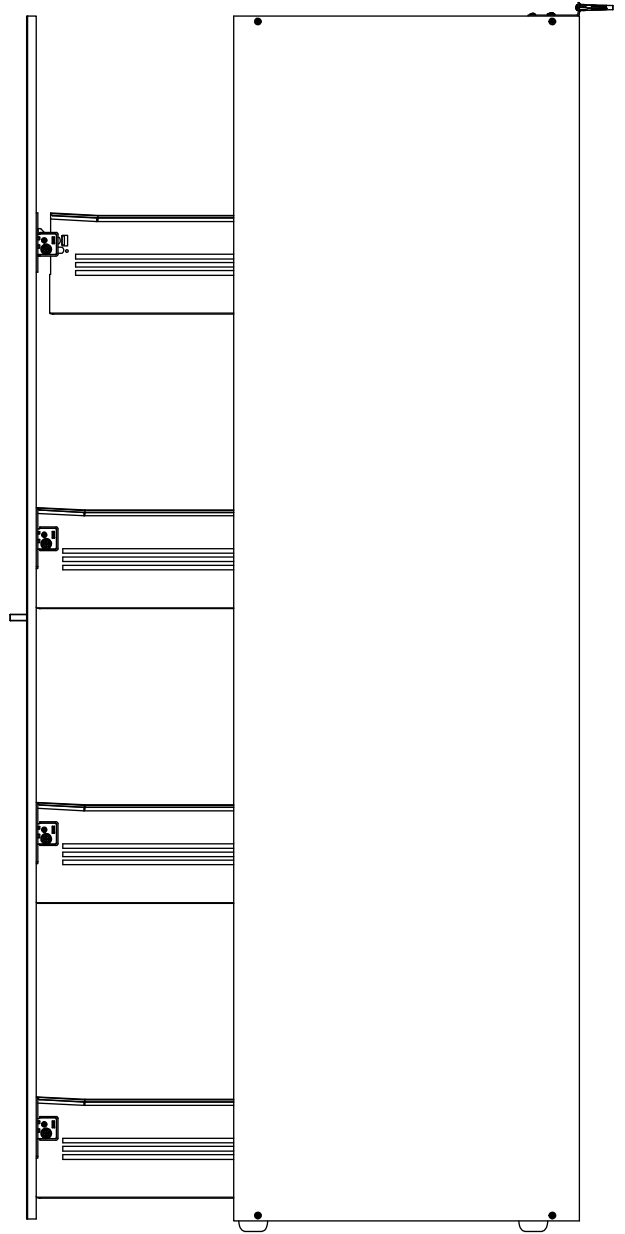
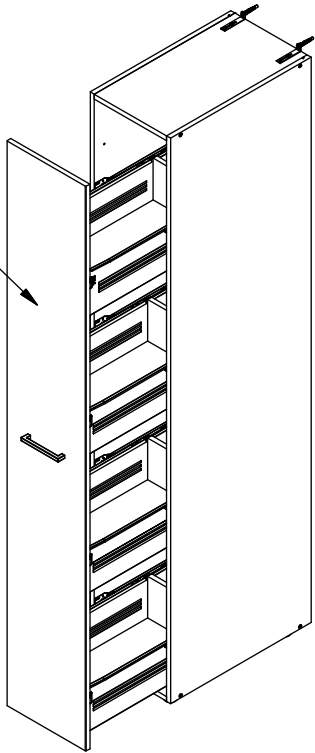


741

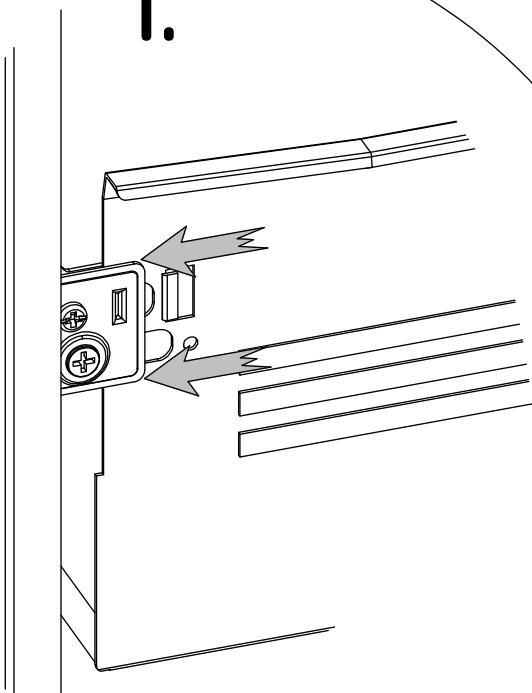




8



1.



2.

