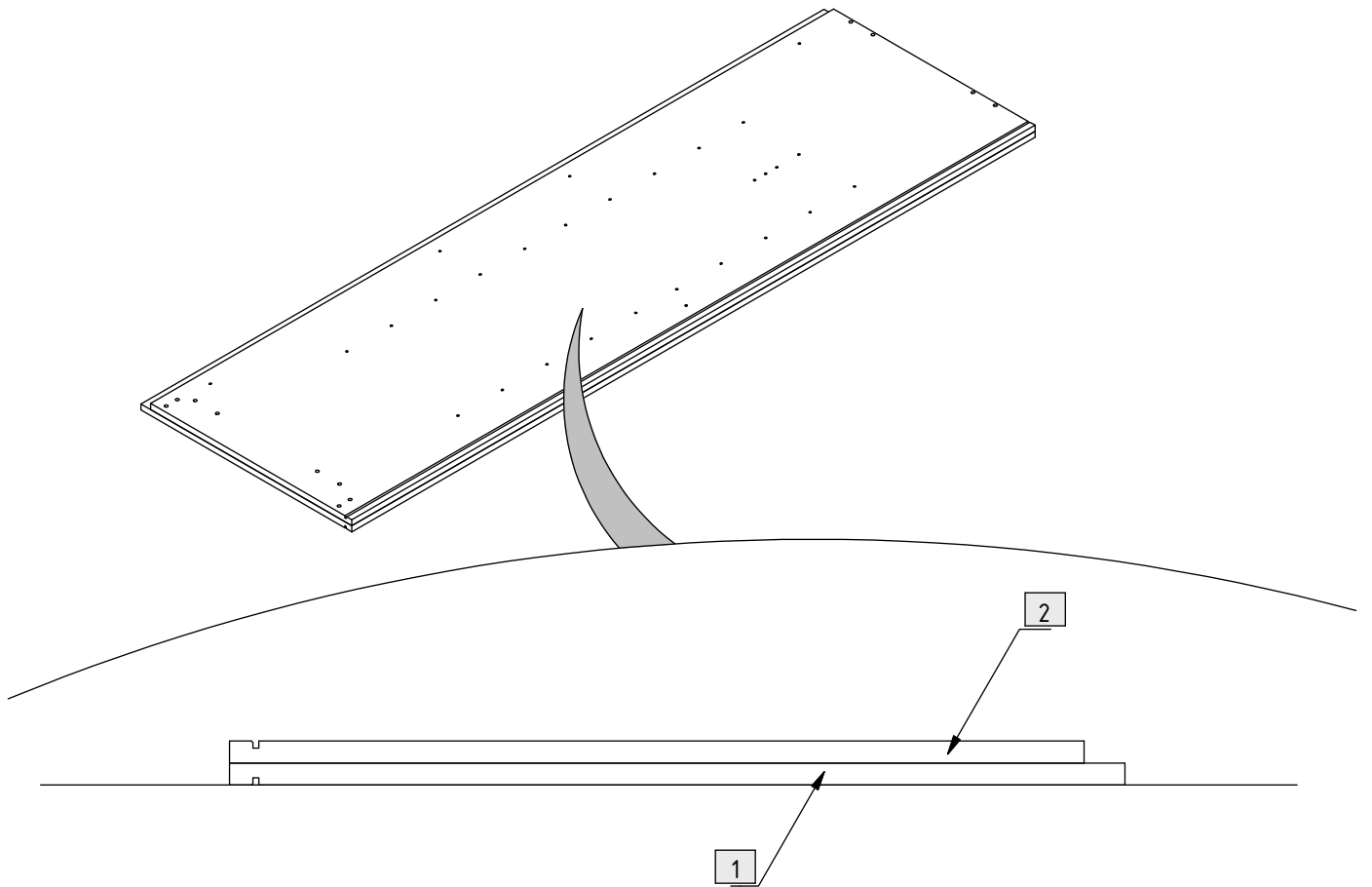
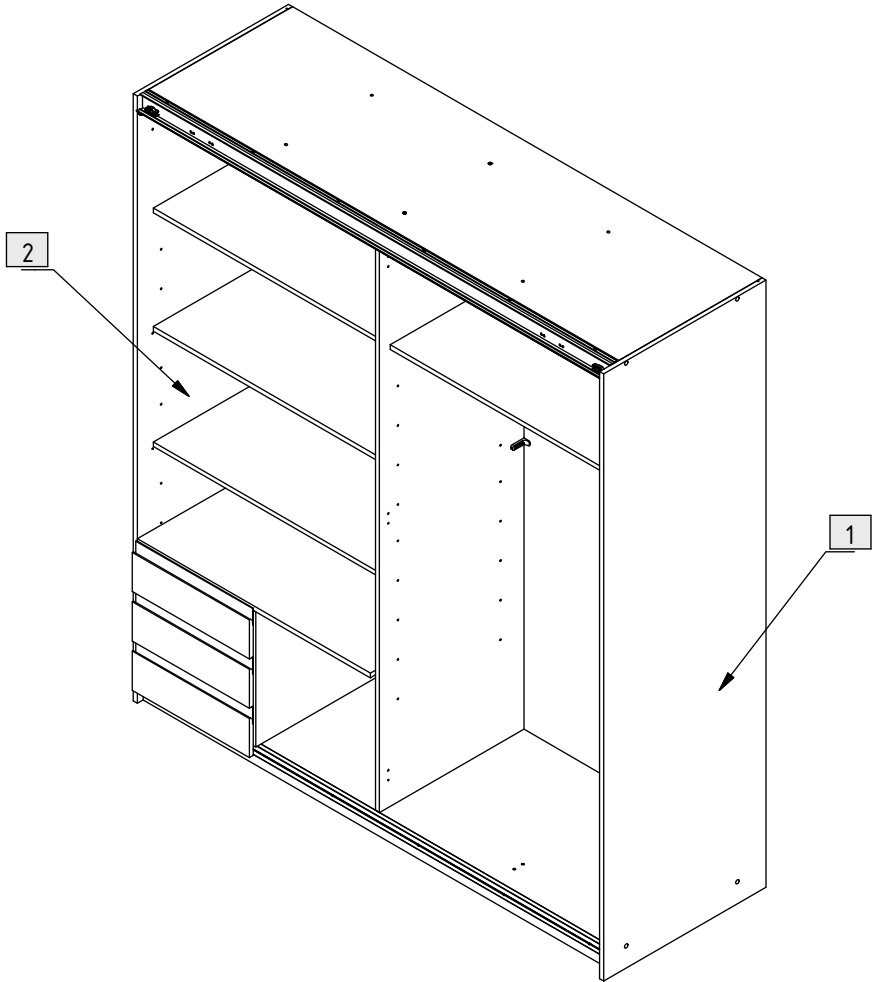


**21 + 22 + 23 + 24**

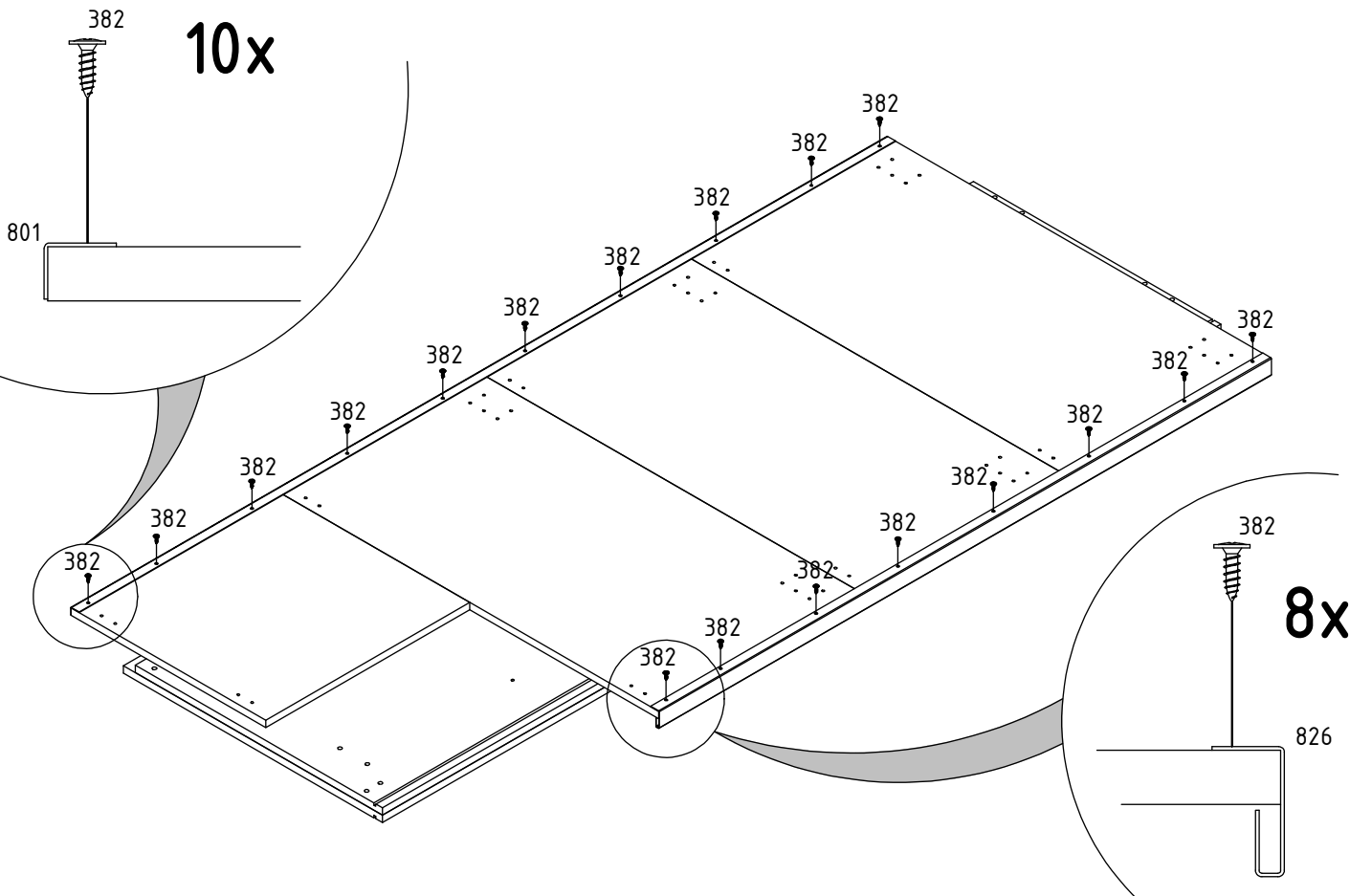
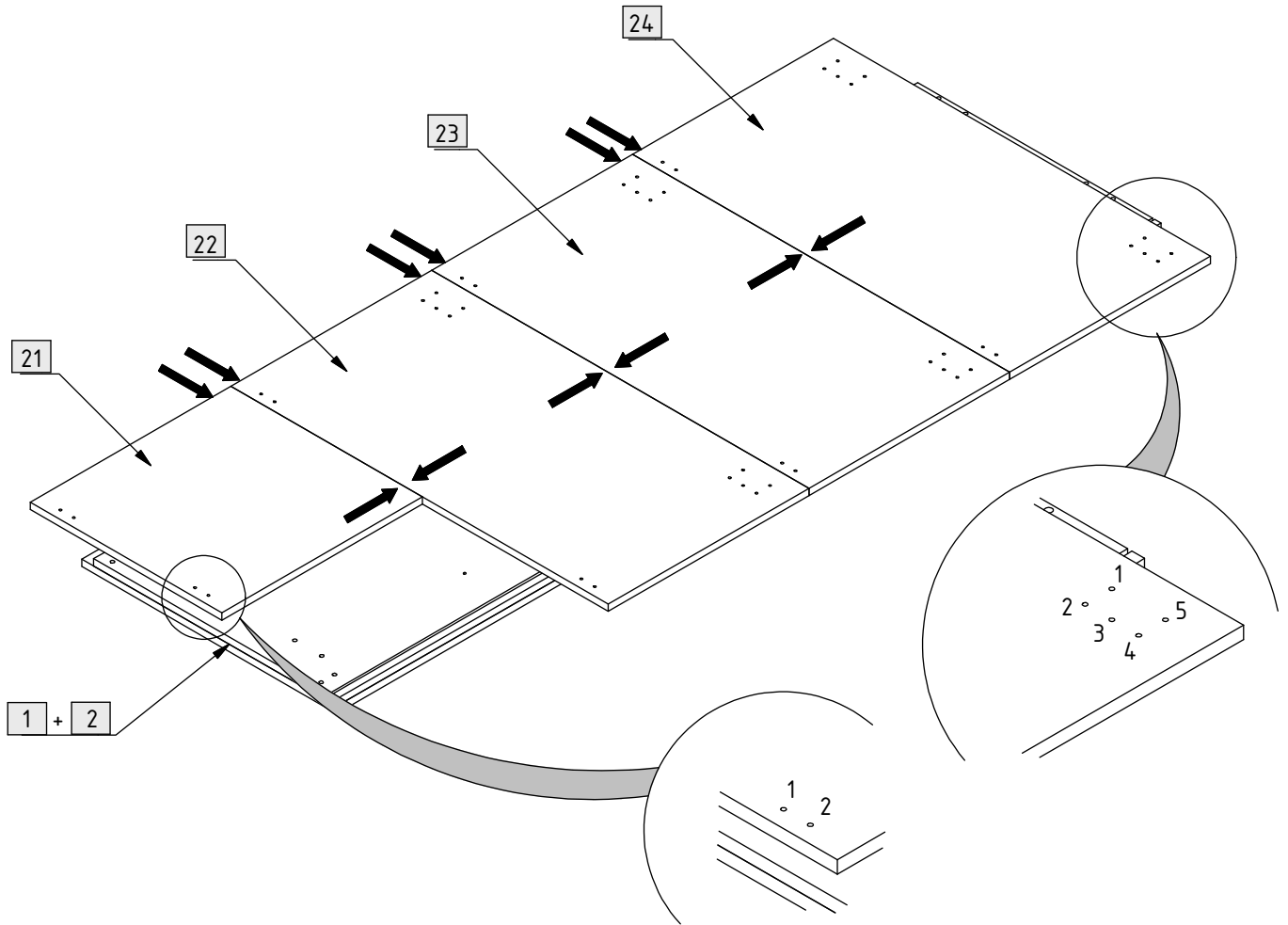
|     |    |  |               |
|-----|----|--|---------------|
| 230 | 4  |  |               |
| 306 | 10 |  | 6,3 x 10,0 mm |
| 380 | 16 |  | 3,5 x 15 mm   |
| 382 | 18 |  | 4 x 13 mm     |
| 801 | 1  |  | L = 1915 mm   |
| 804 | 2  |  |               |
| 805 | 1  |  |               |
| 806 | 1  |  |               |
| 807 | 1  |  |               |
| 826 | 1  |  | L = 1436 mm   |

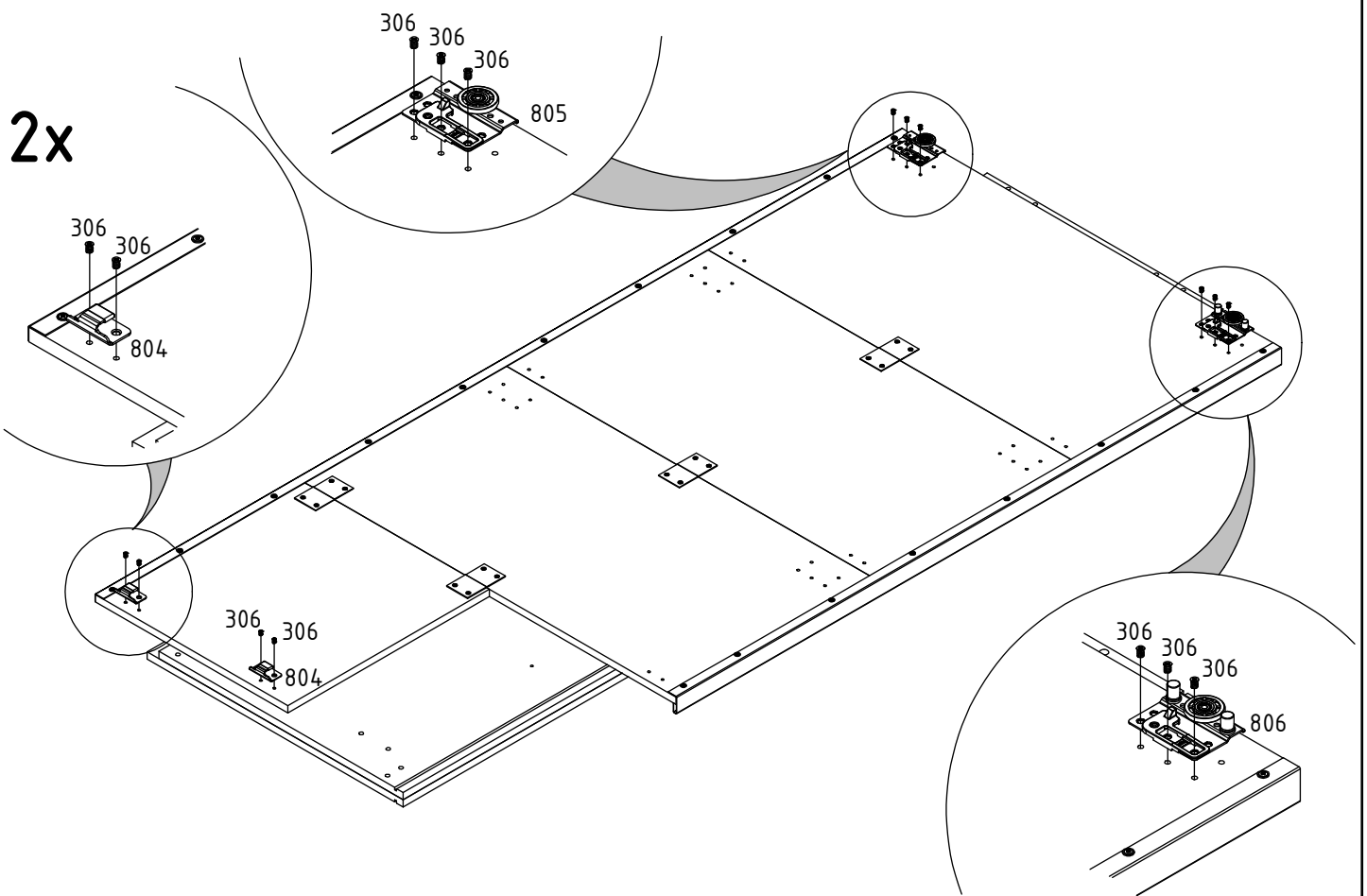
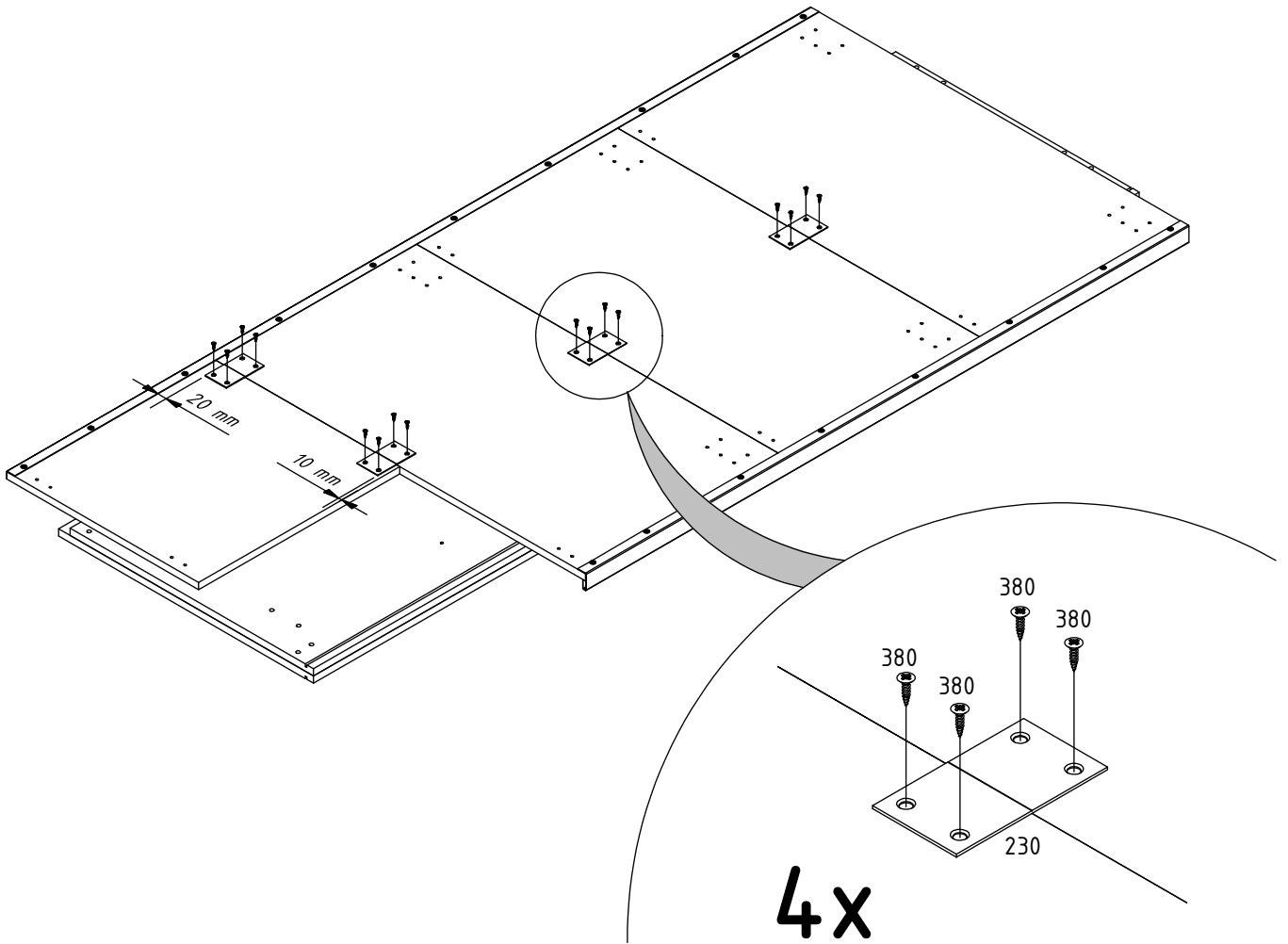
**31 + 32 + 33 + 34**

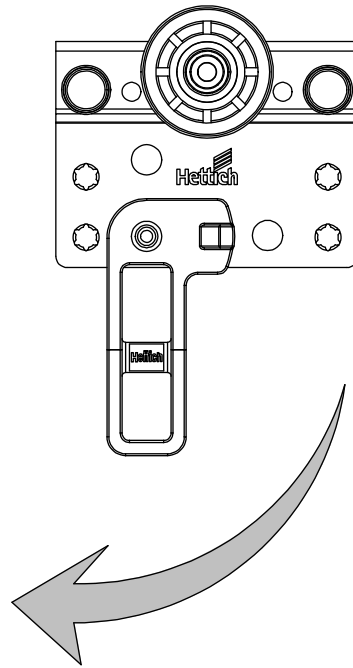
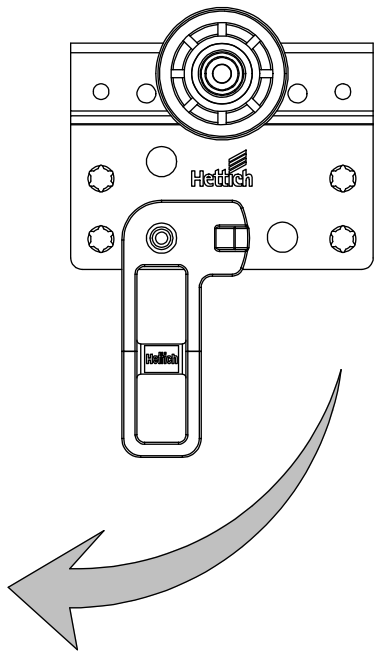
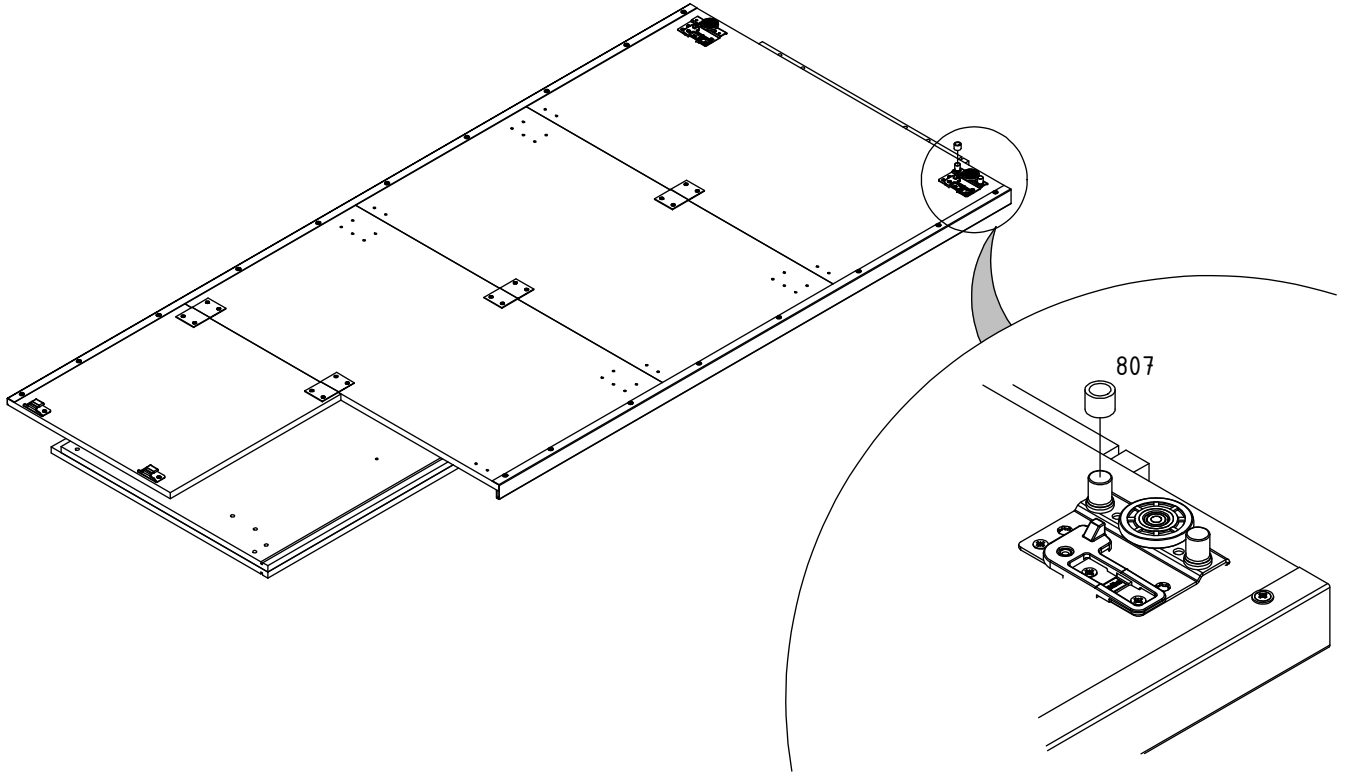
|     |    |  |             |
|-----|----|--|-------------|
| 230 | 3  |  |             |
| 306 | 14 |  | 6,3 x 10 mm |
| 380 | 12 |  | 3,5 x 15 mm |
| 382 | 20 |  | 4 x 13 mm   |
| 800 | 2  |  | L = 1915 mm |
| 802 | 2  |  |             |
| 803 | 2  |  |             |

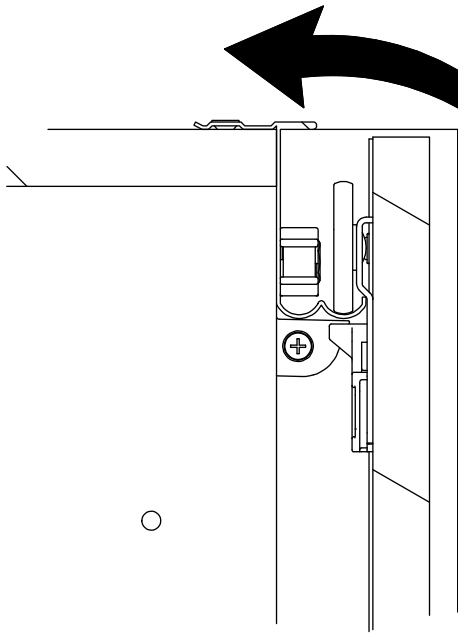
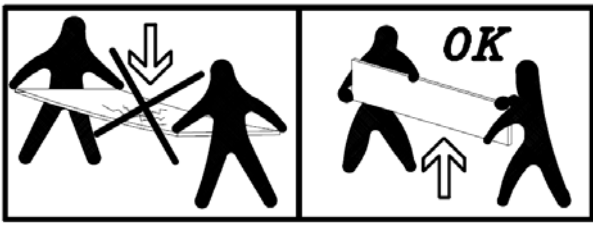


21 + 22 + 23 + 24

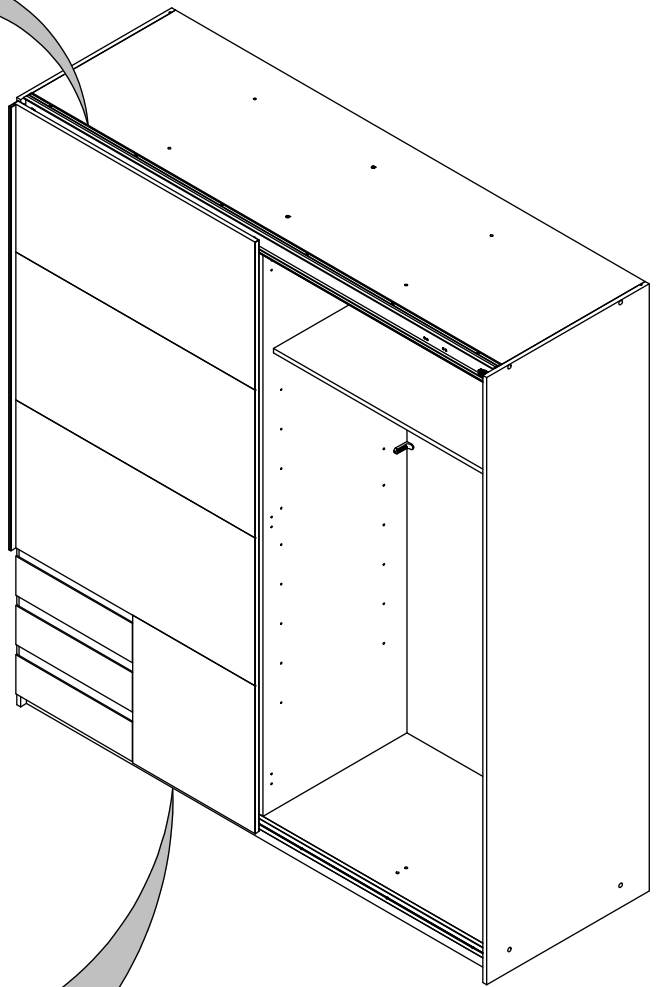




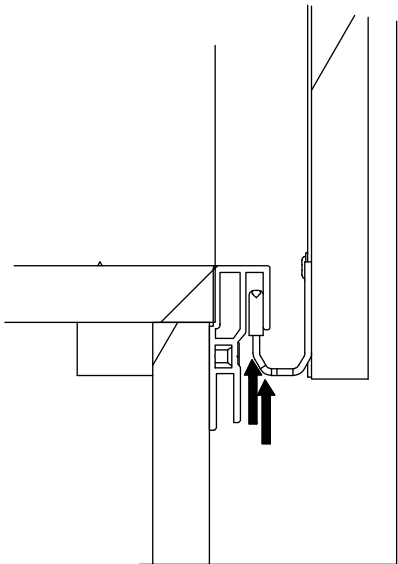




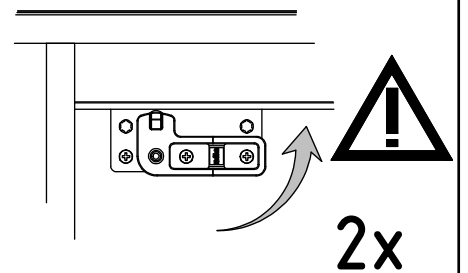
2.



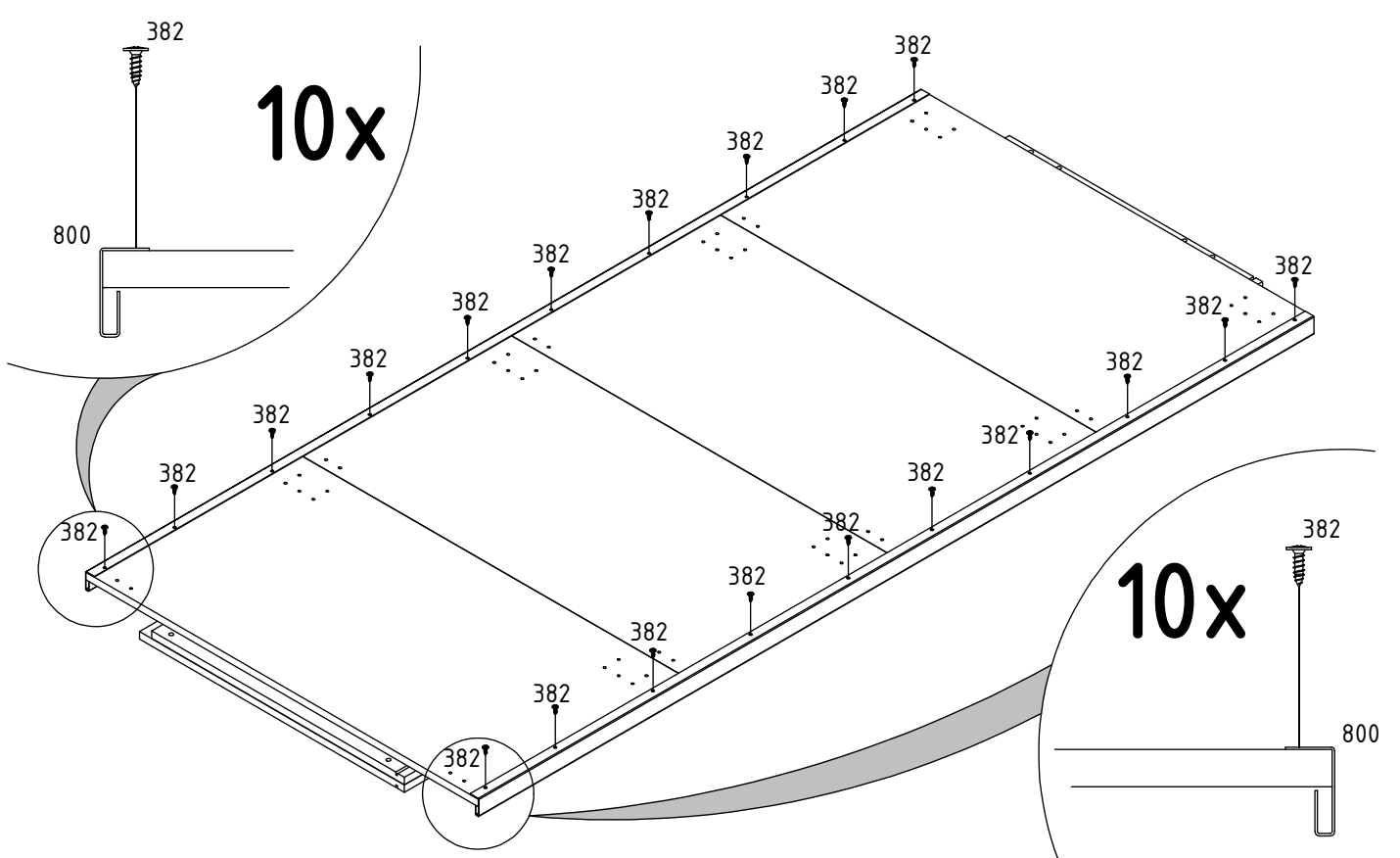
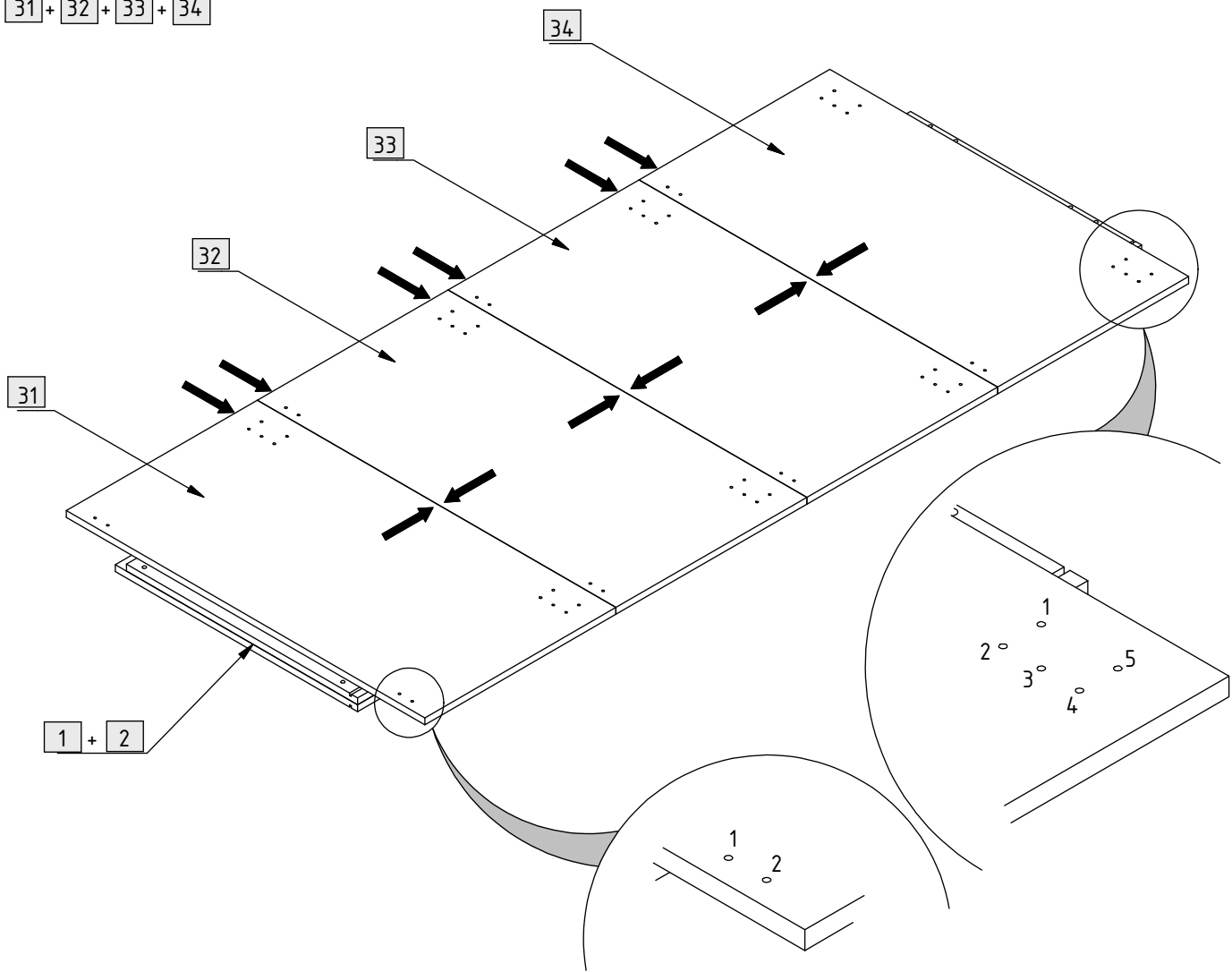
1.



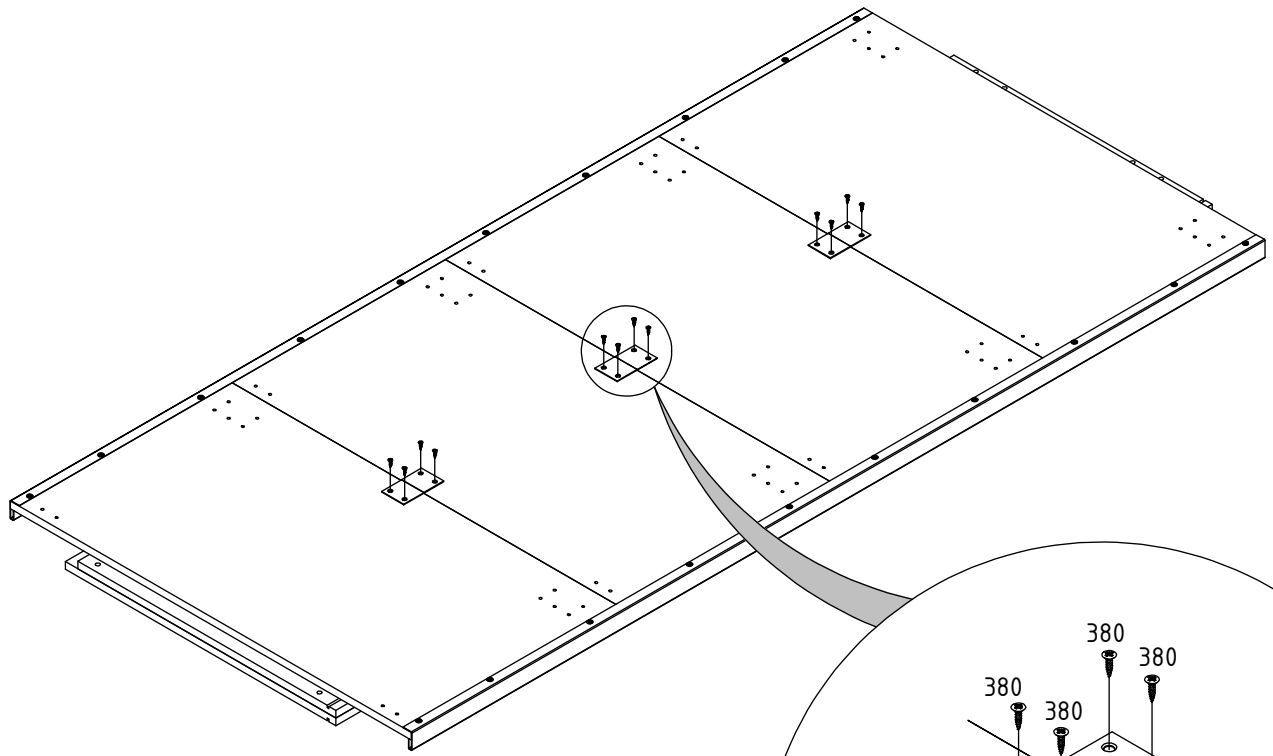
3.



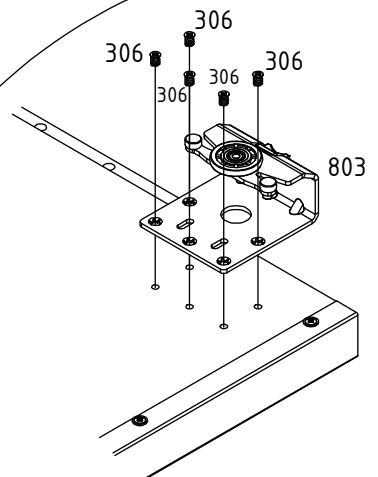
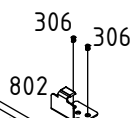
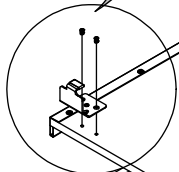
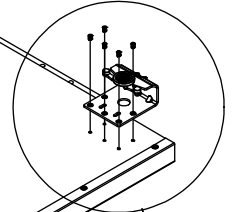
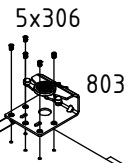
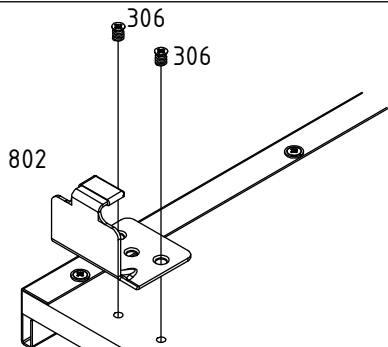
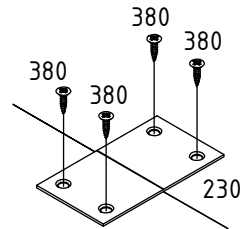
31 + 32 + 33 + 34

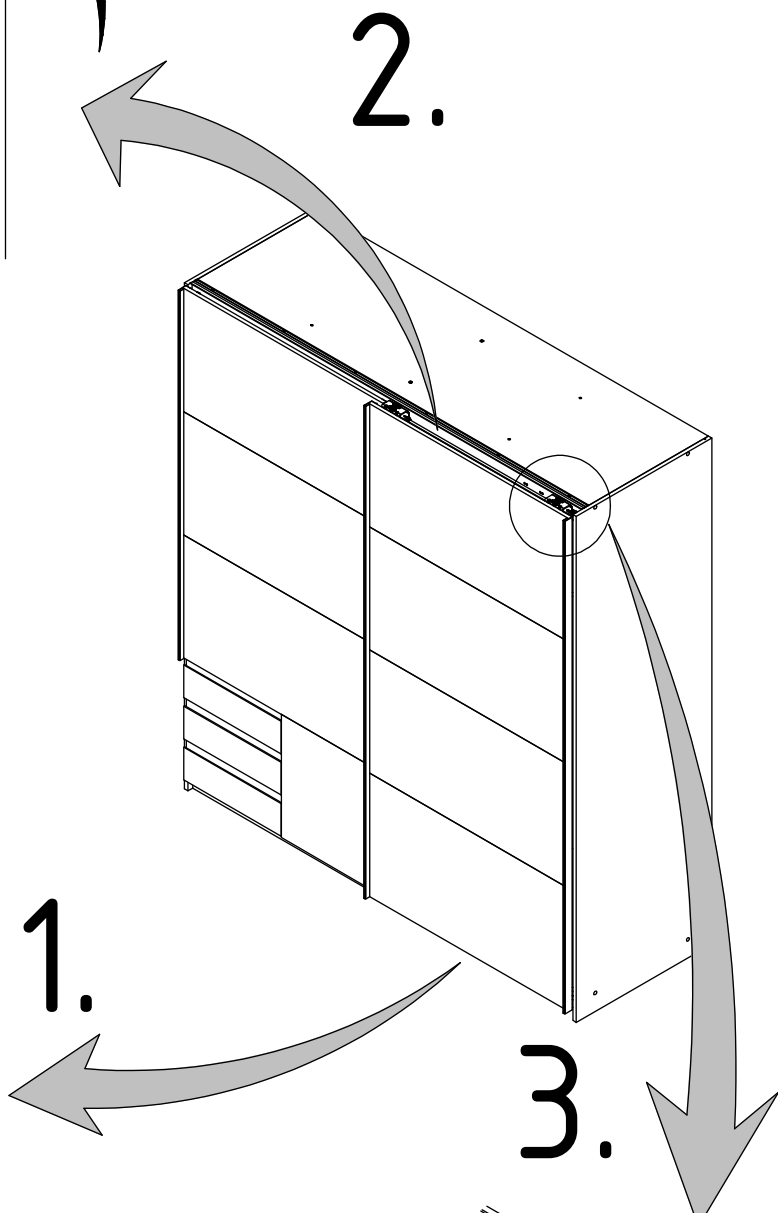
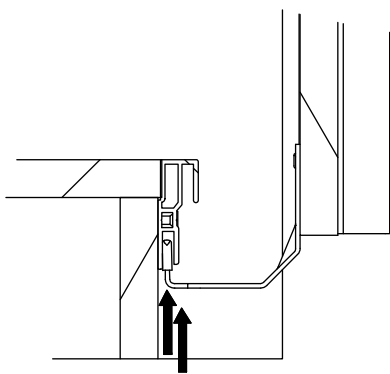
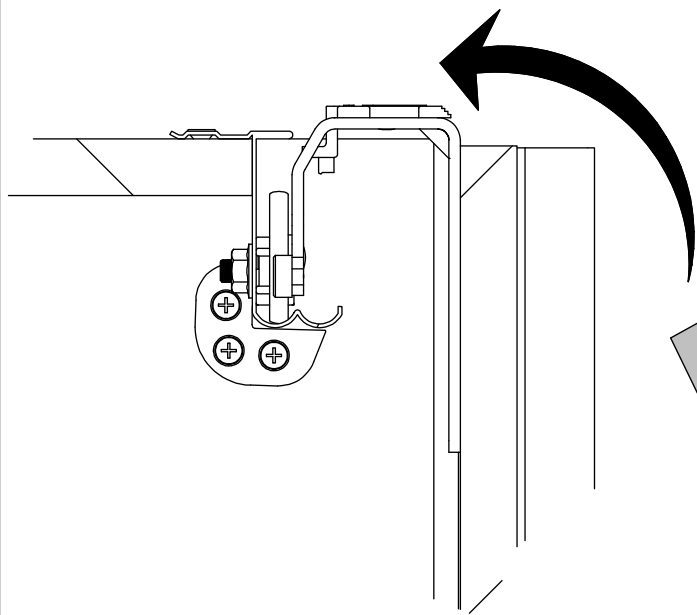
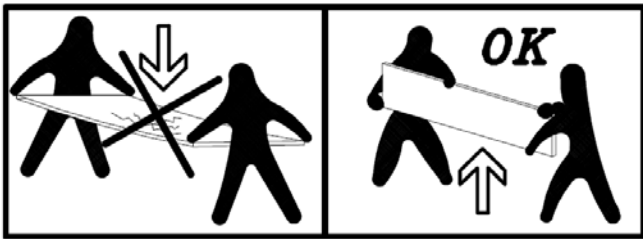




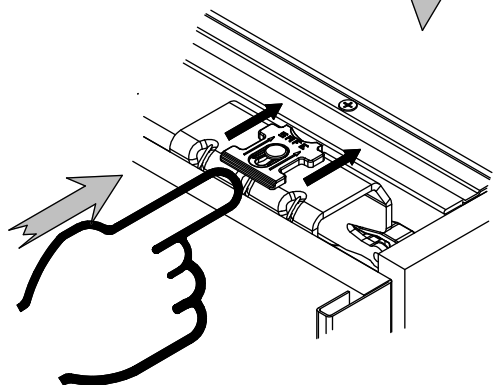


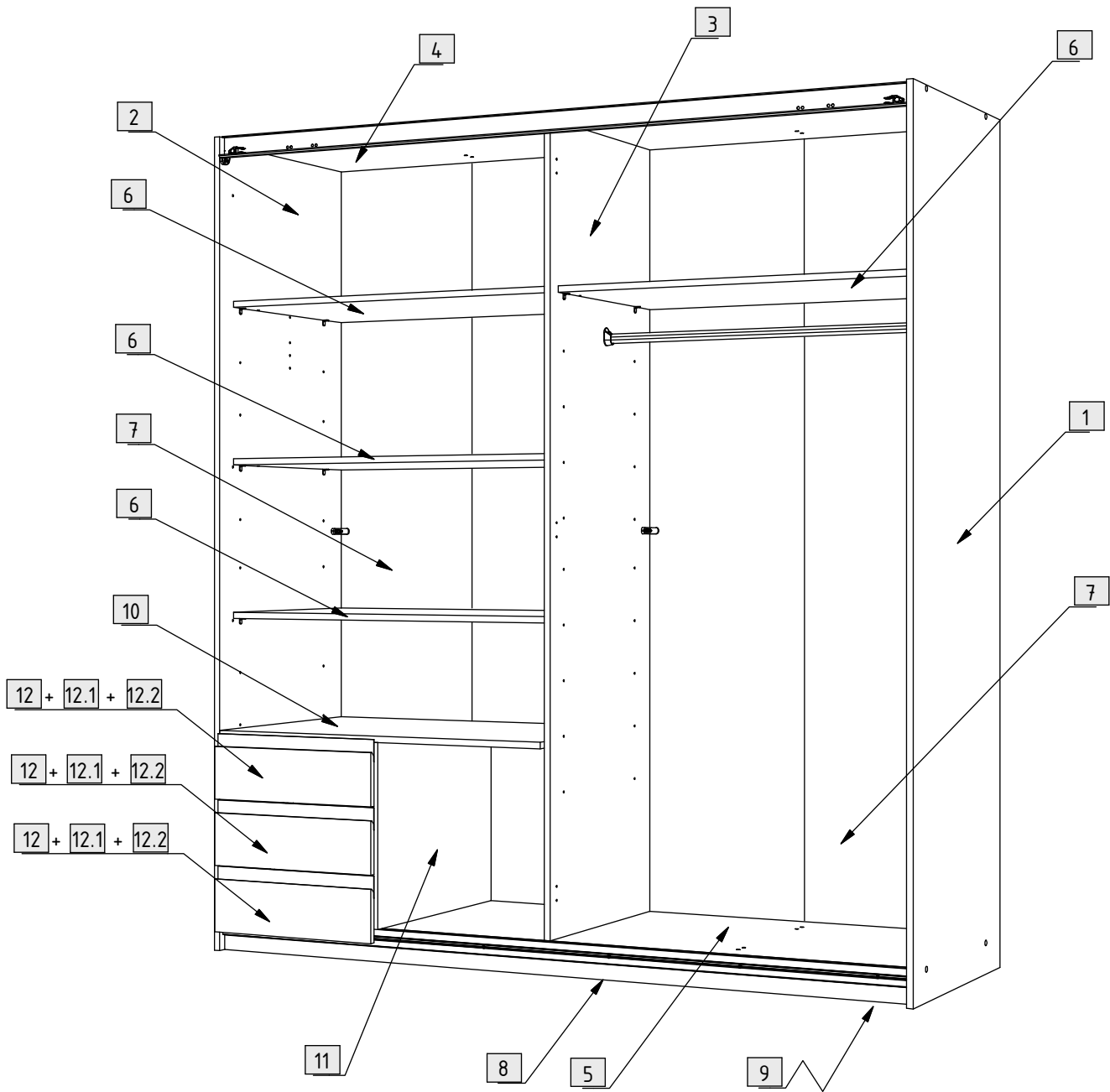
3x

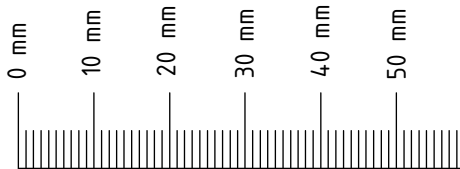
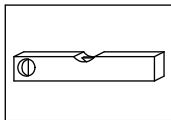
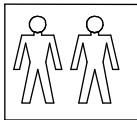




2x

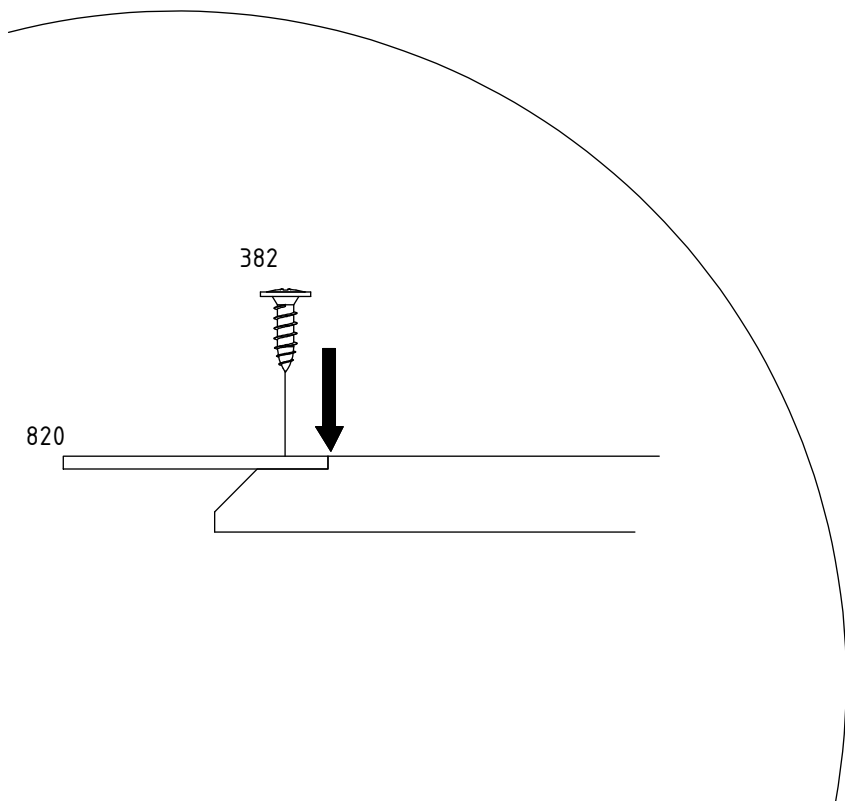
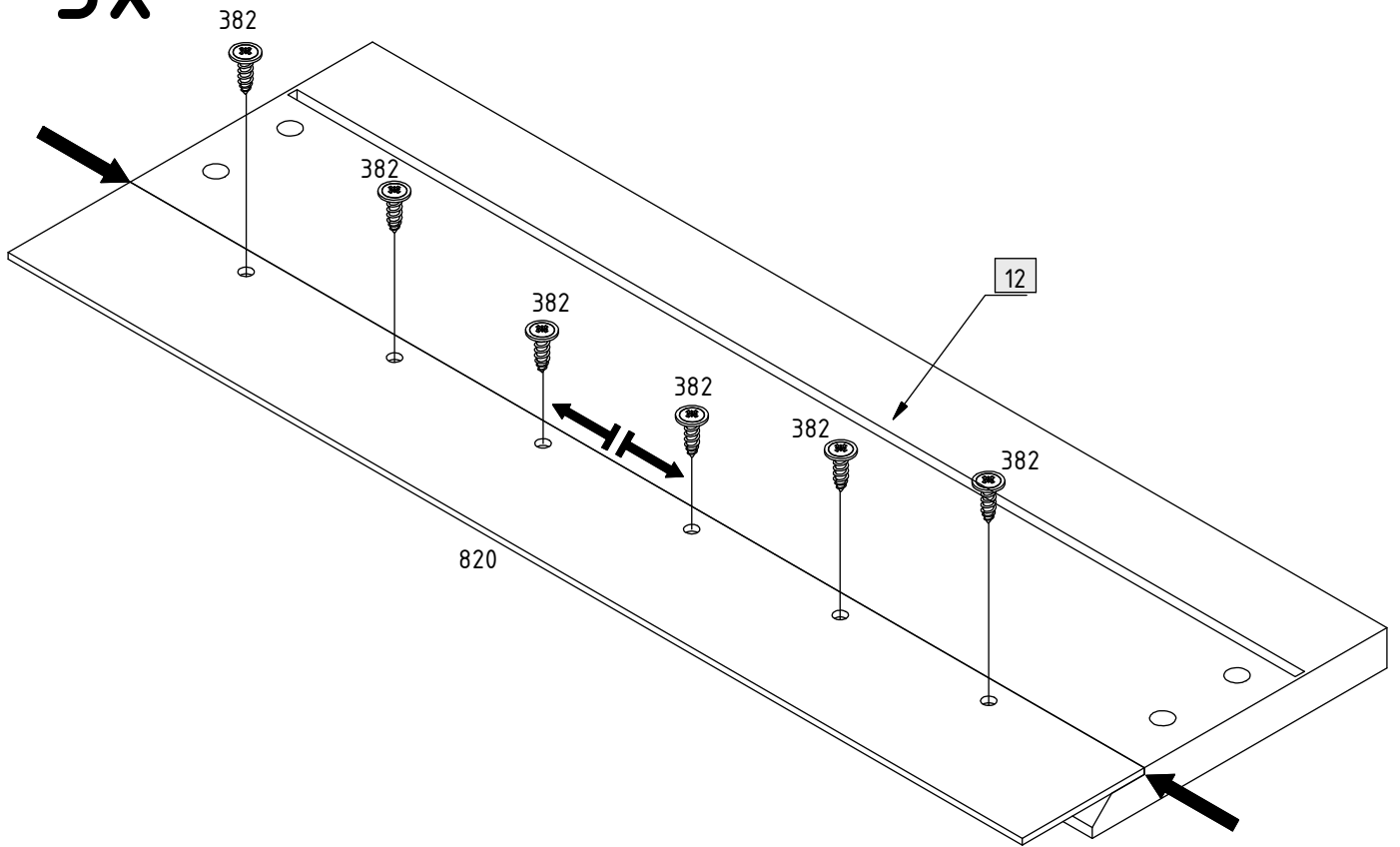




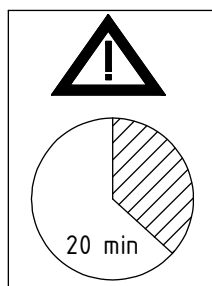
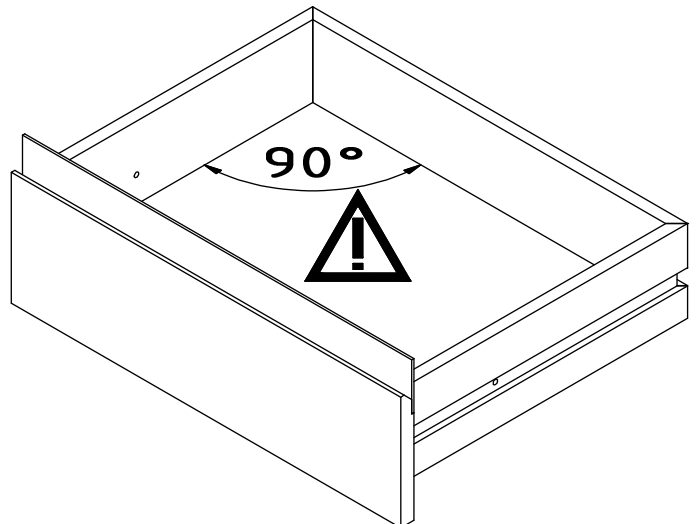
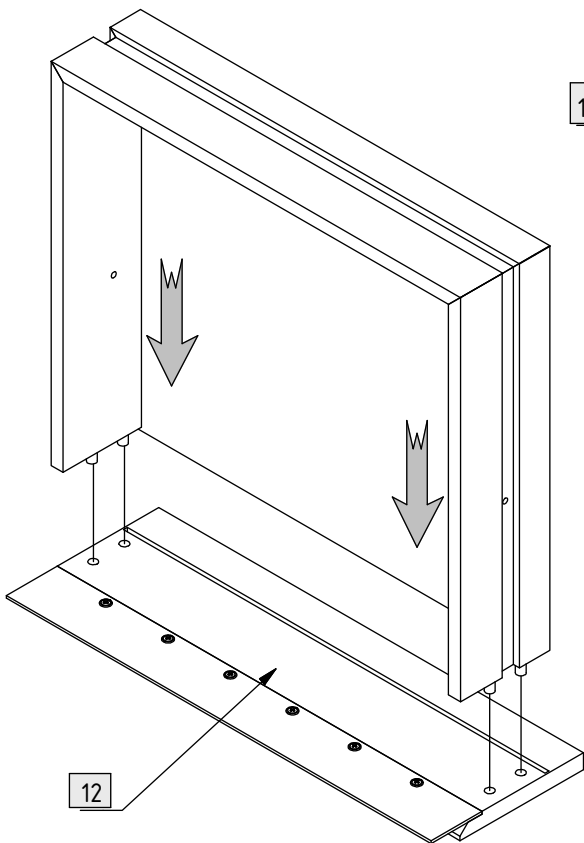
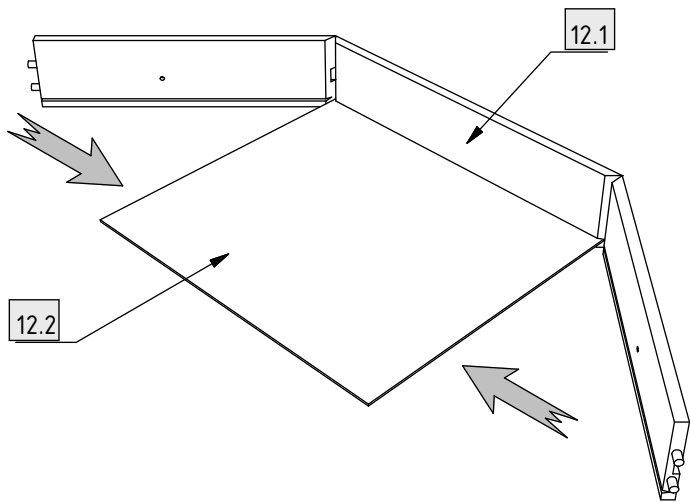
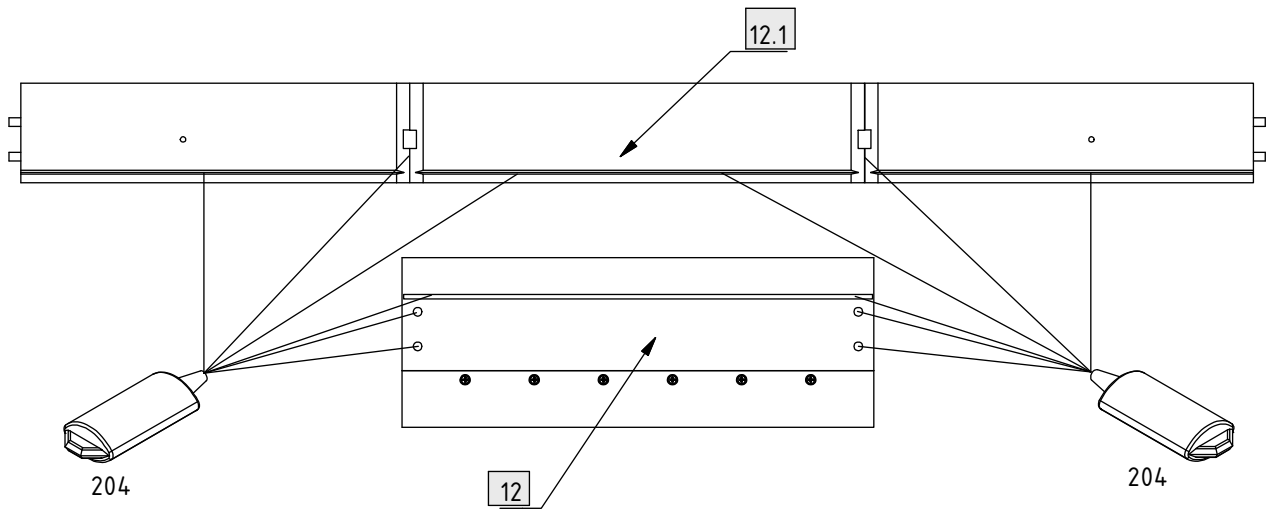


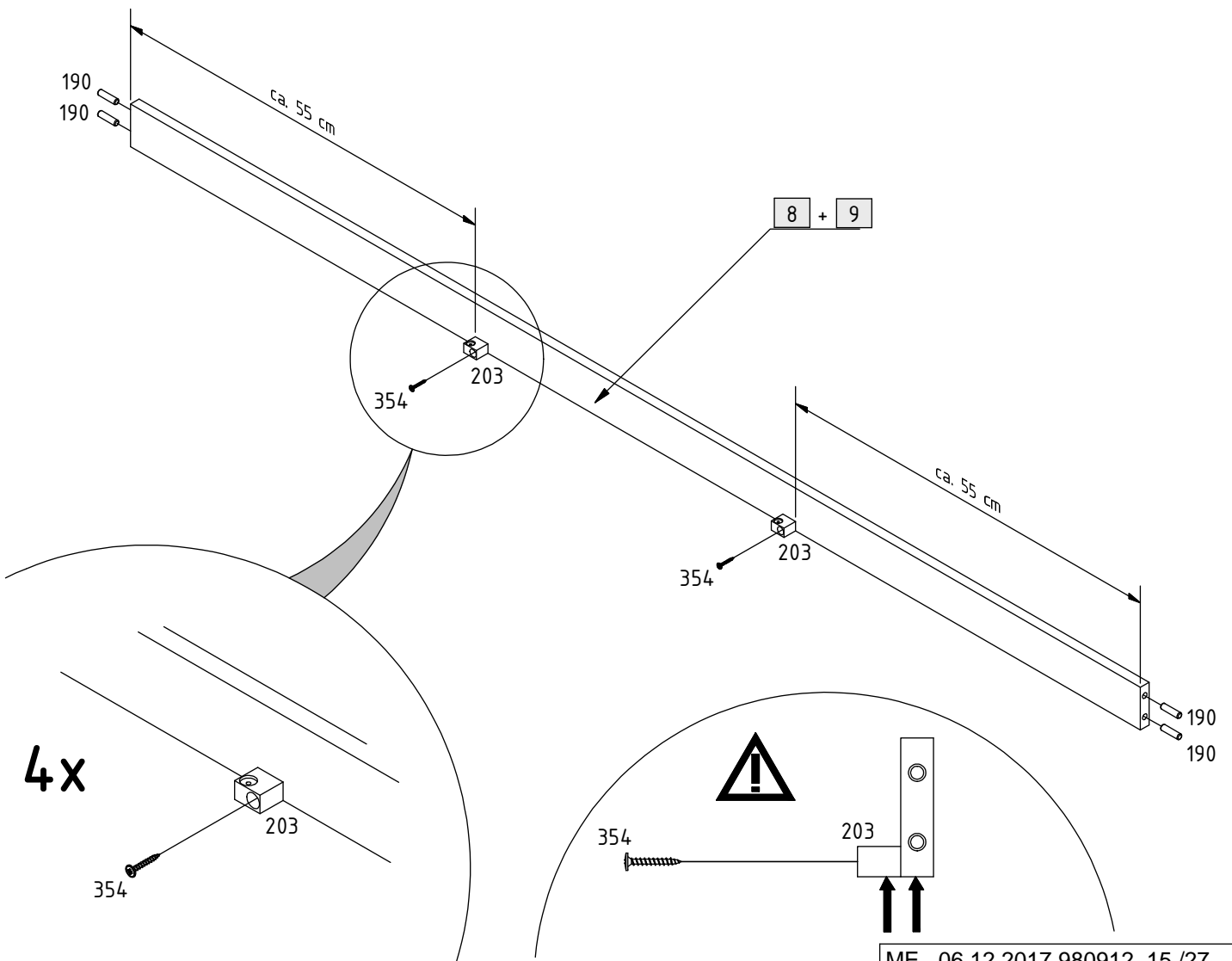
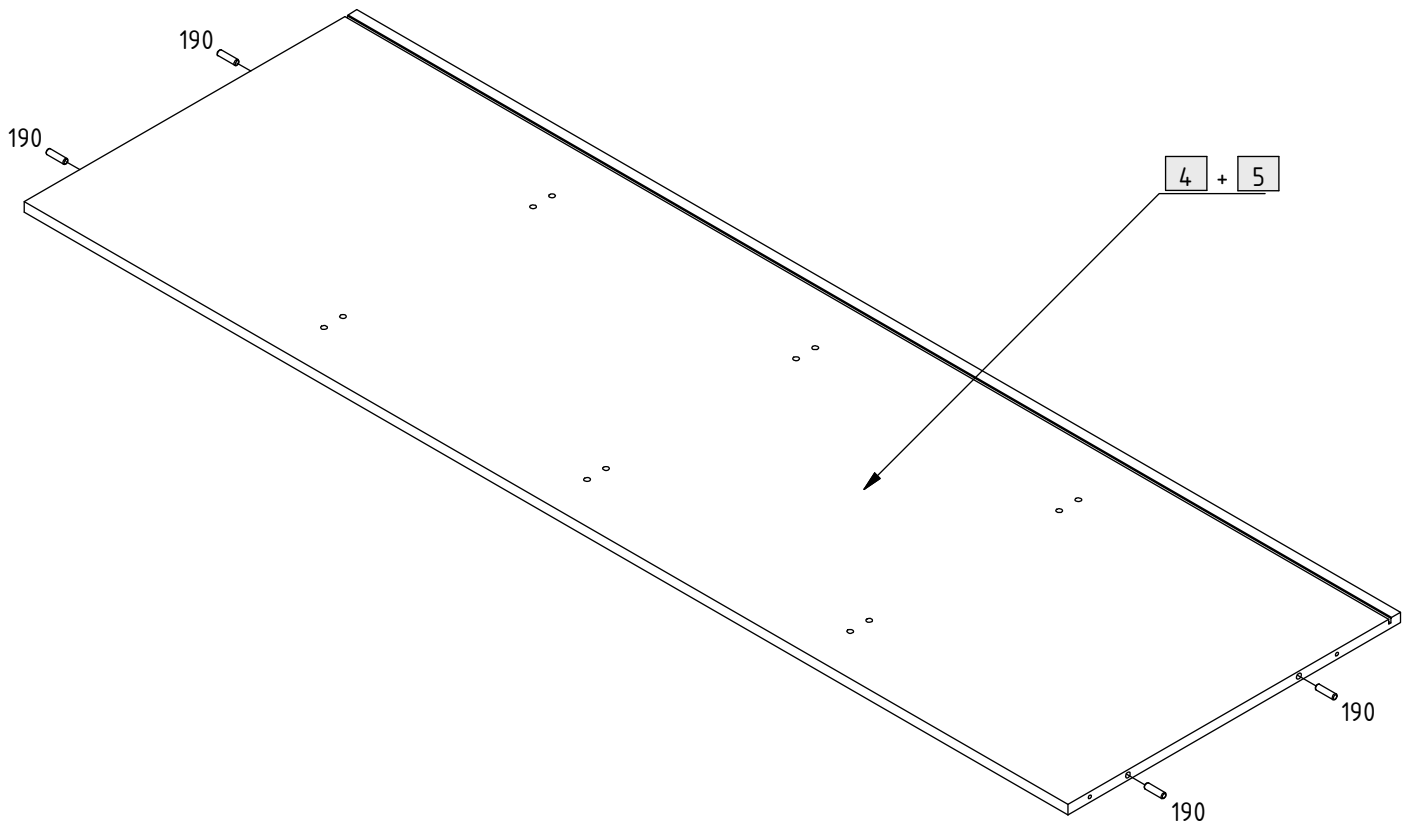
|     |    |                                      |     |    |             |
|-----|----|--------------------------------------|-----|----|-------------|
| 102 | 8  |                                      | 330 | 4  |             |
| 181 | 16 |                                      | 354 | 8  | 3,5 x 25 mm |
| 190 | 22 | $\varnothing 8 \times 30 \text{ mm}$ | 380 | 22 | 3,5 x 15 mm |
| 201 | 2  |                                      | 381 | 6  | 4 x 20 mm   |
| 203 | 4  |                                      | 382 | 18 | 4 x 13 mm   |
| 204 | 3  |                                      | 408 | 6  | M4 x 9 mm   |
| 215 | 6  |                                      | 746 | 1  |             |
| 220 | 8  |                                      | 792 | 1  | L = 1756 mm |
| 221 | 4  |                                      | 794 | 1  | L = 1756 mm |
| 240 | 4  |                                      | 795 | 2  |             |
| 245 | 2  |                                      | 796 | 2  |             |
| 303 | 4  | 6 x 10mm                             | 797 | 2  | M6 x 16 mm  |
| 305 | 12 | 6 x 9mm                              | 798 | 2  |             |
| 320 | 10 | 6 x 50 mm                            | 820 | 3  |             |

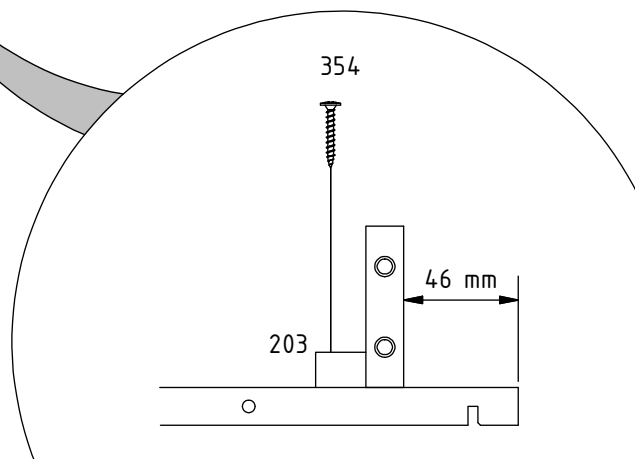
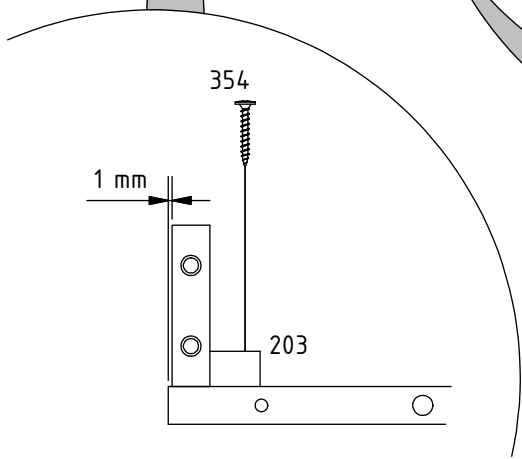
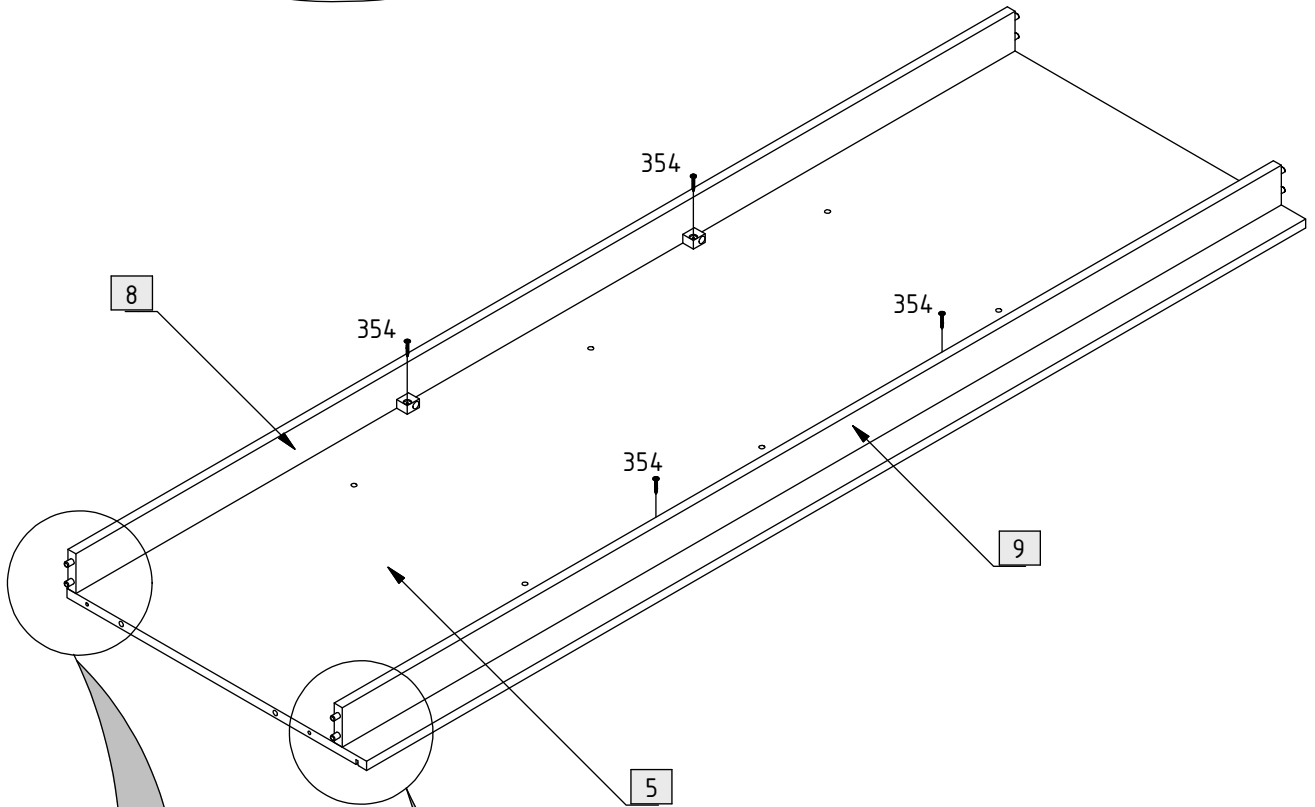
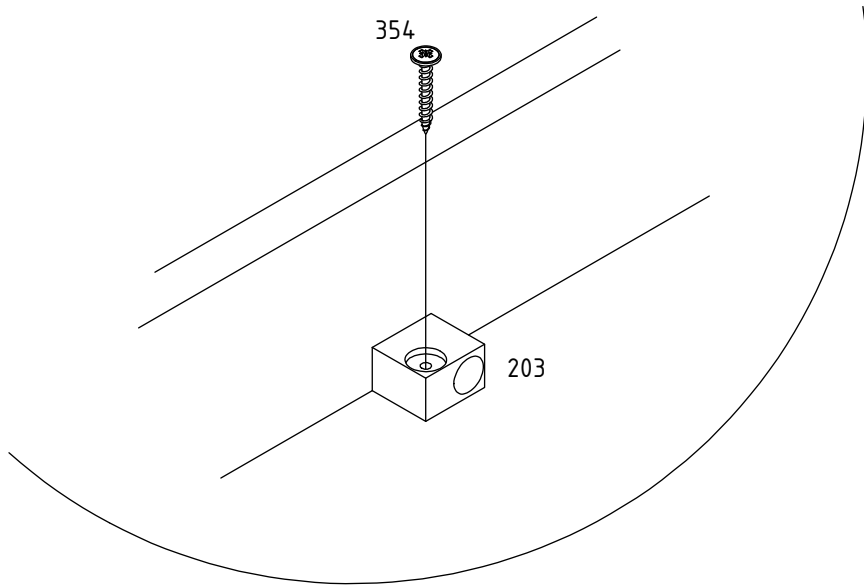
3x



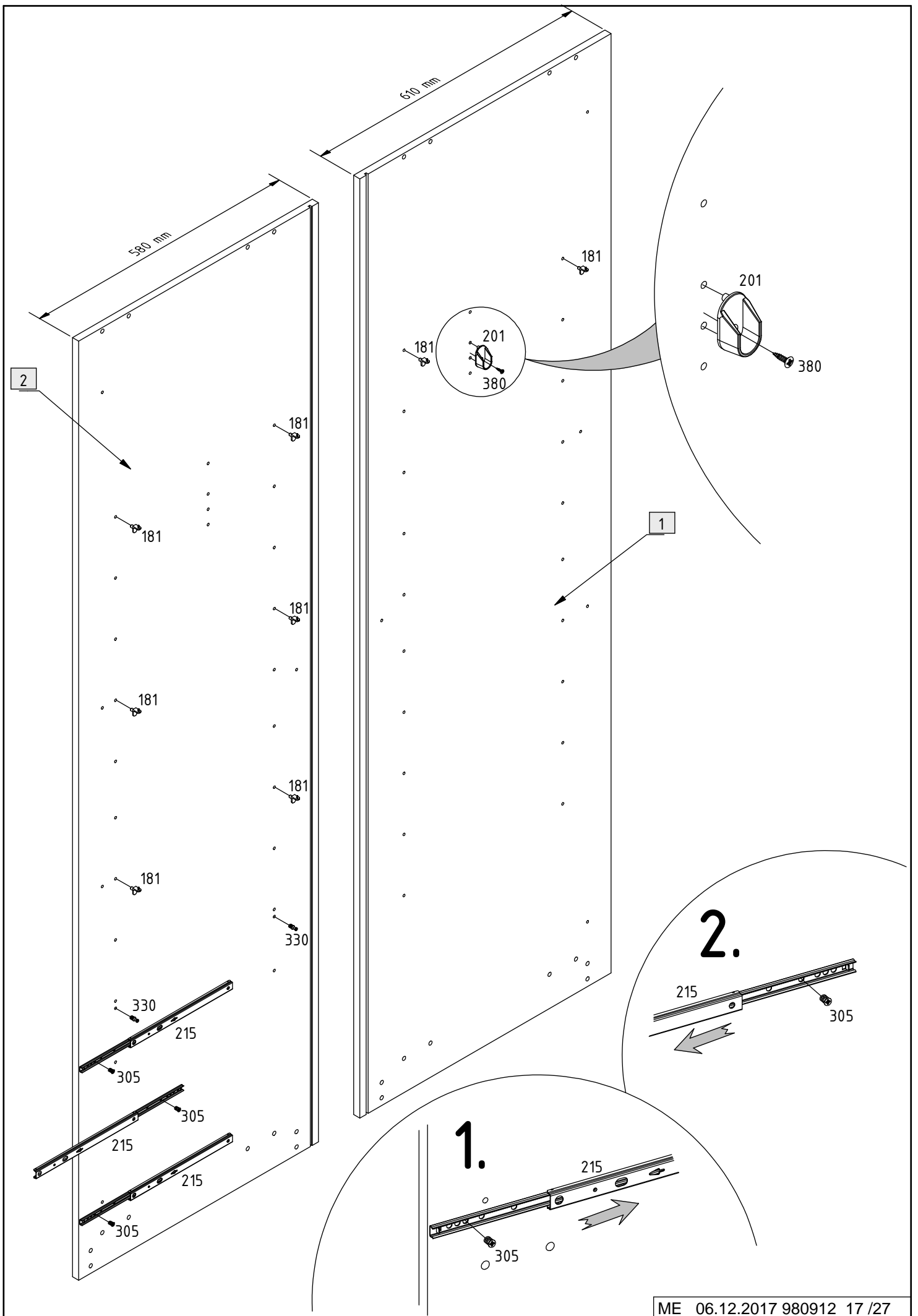
3x

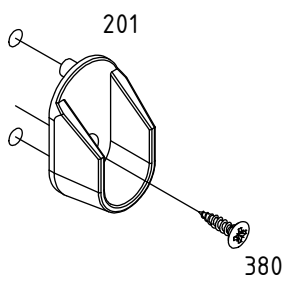
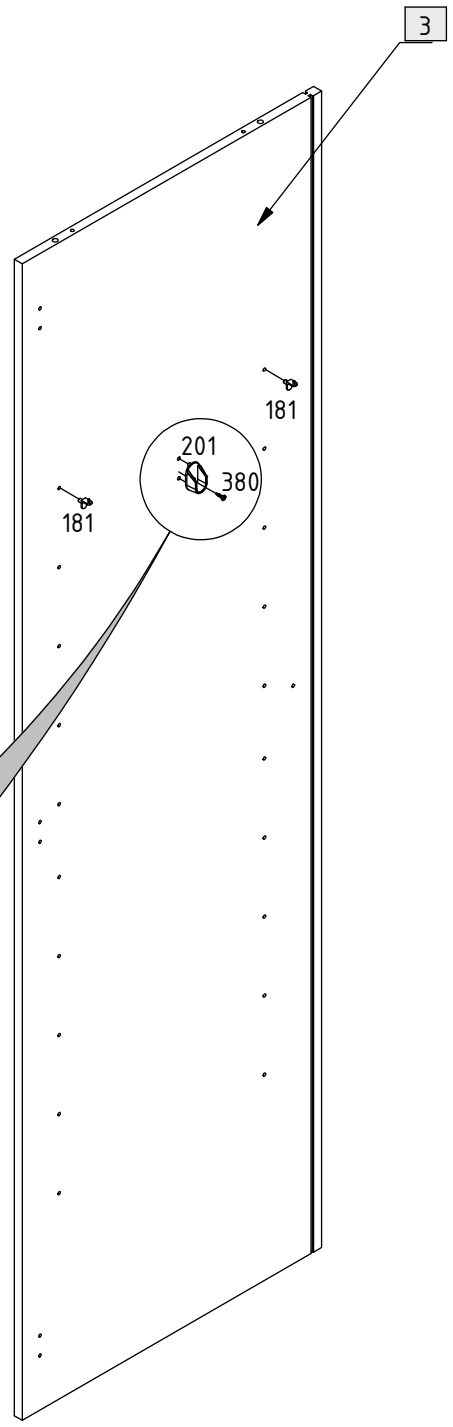
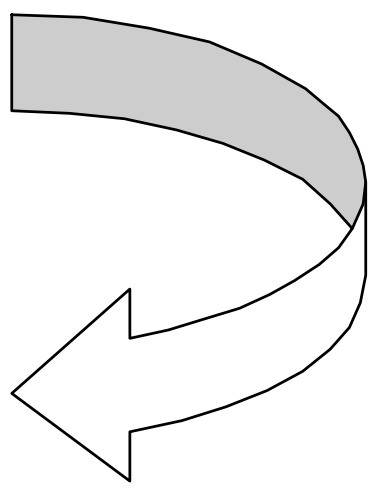
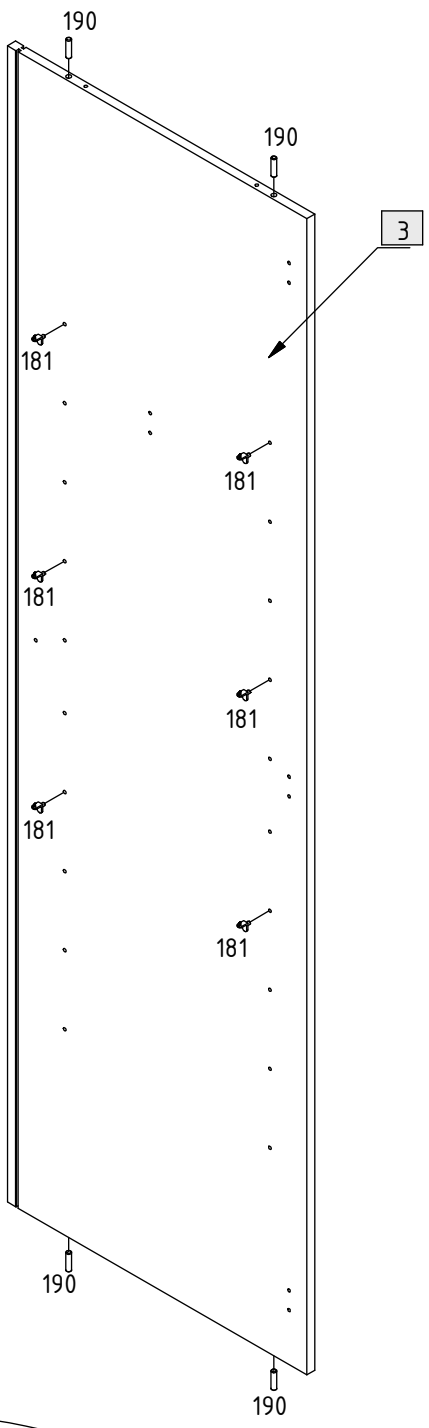


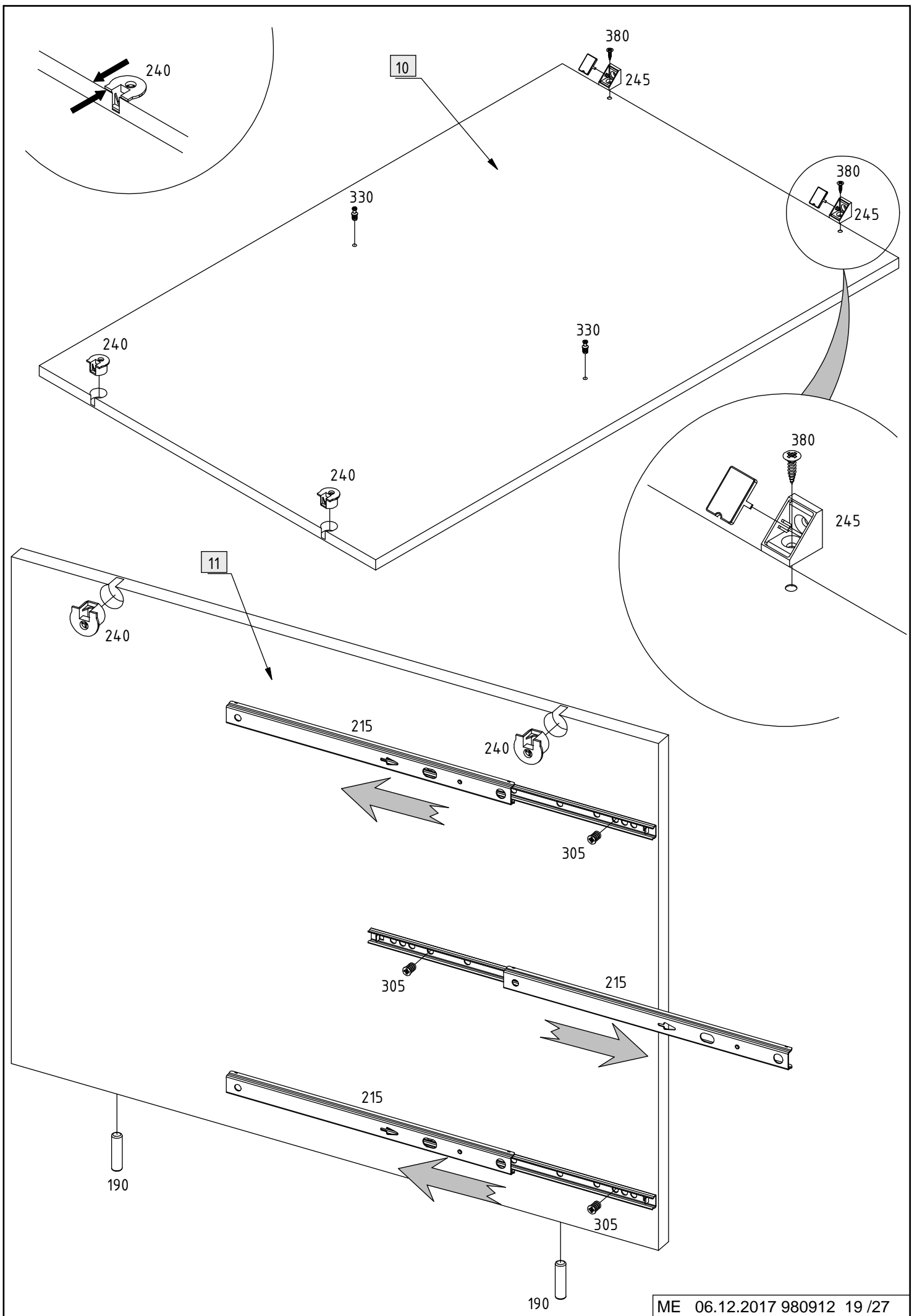


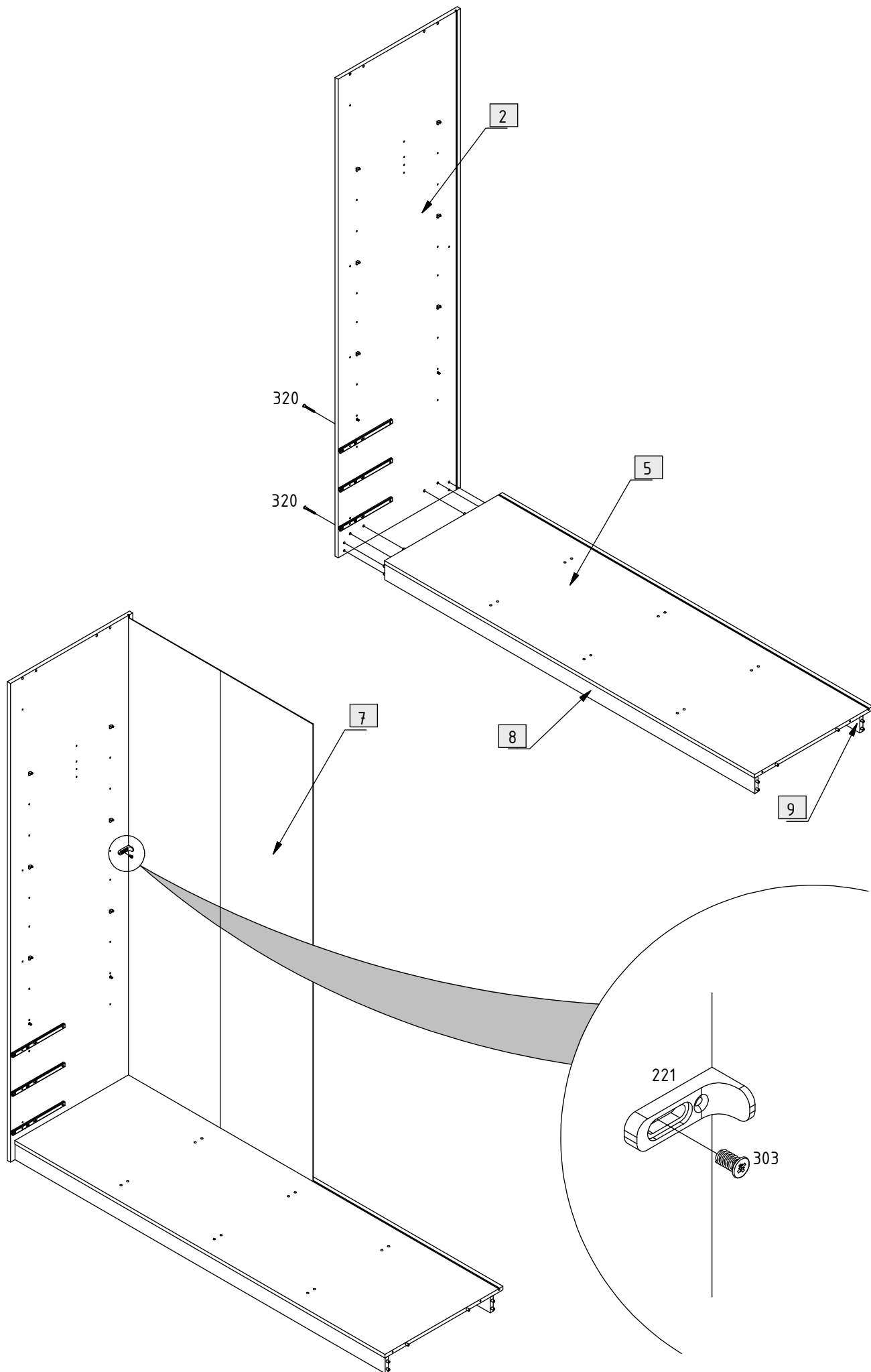


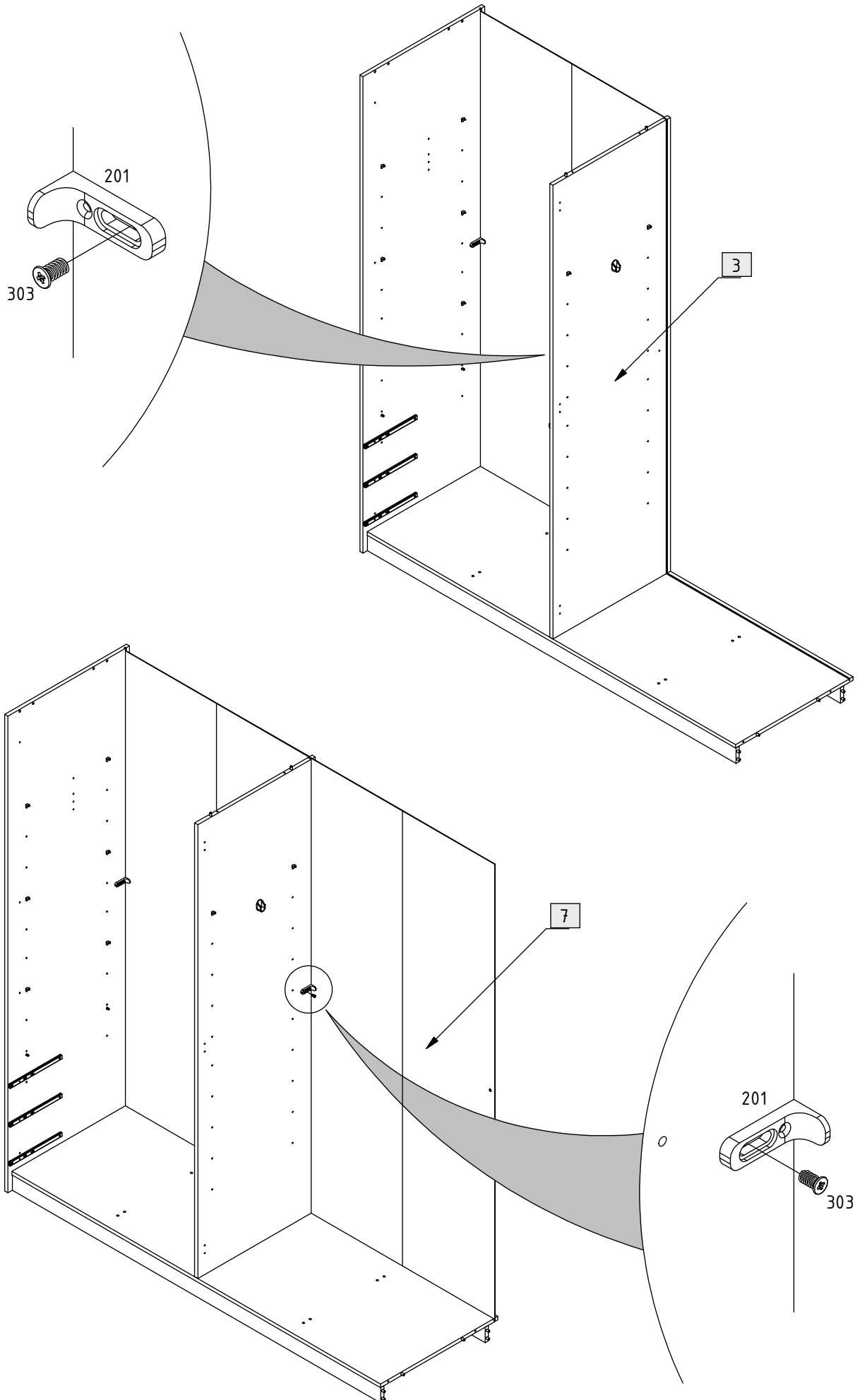


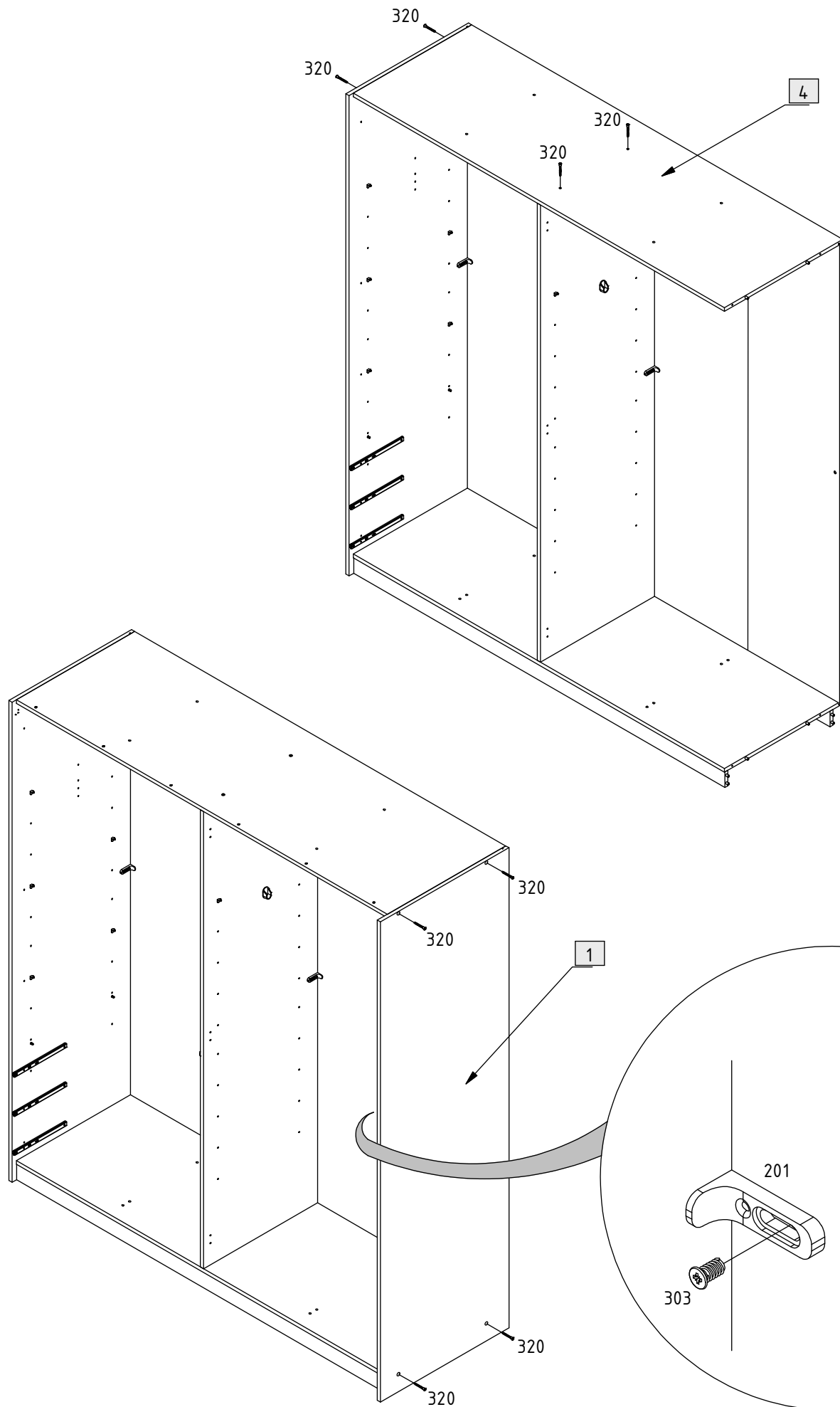


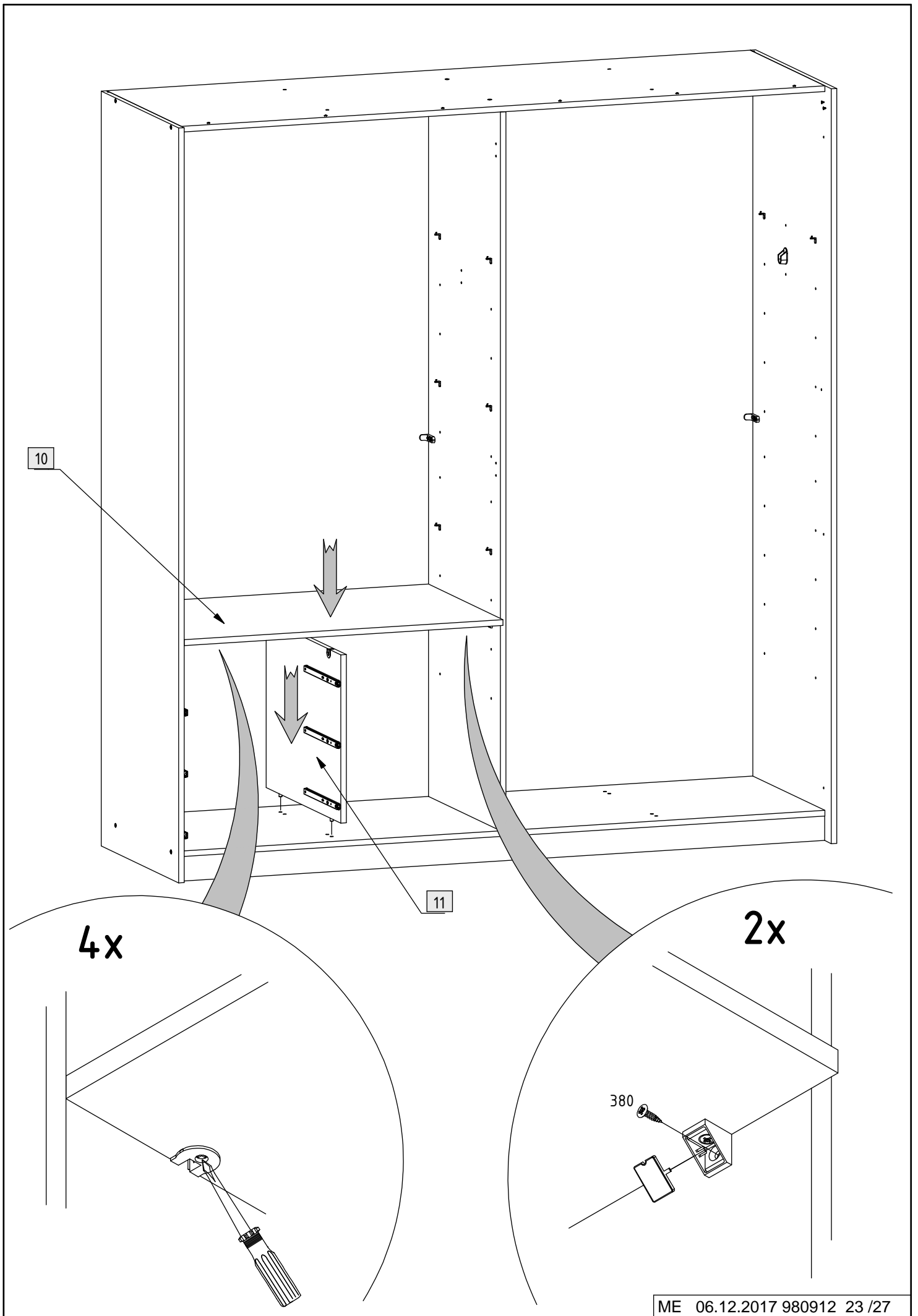


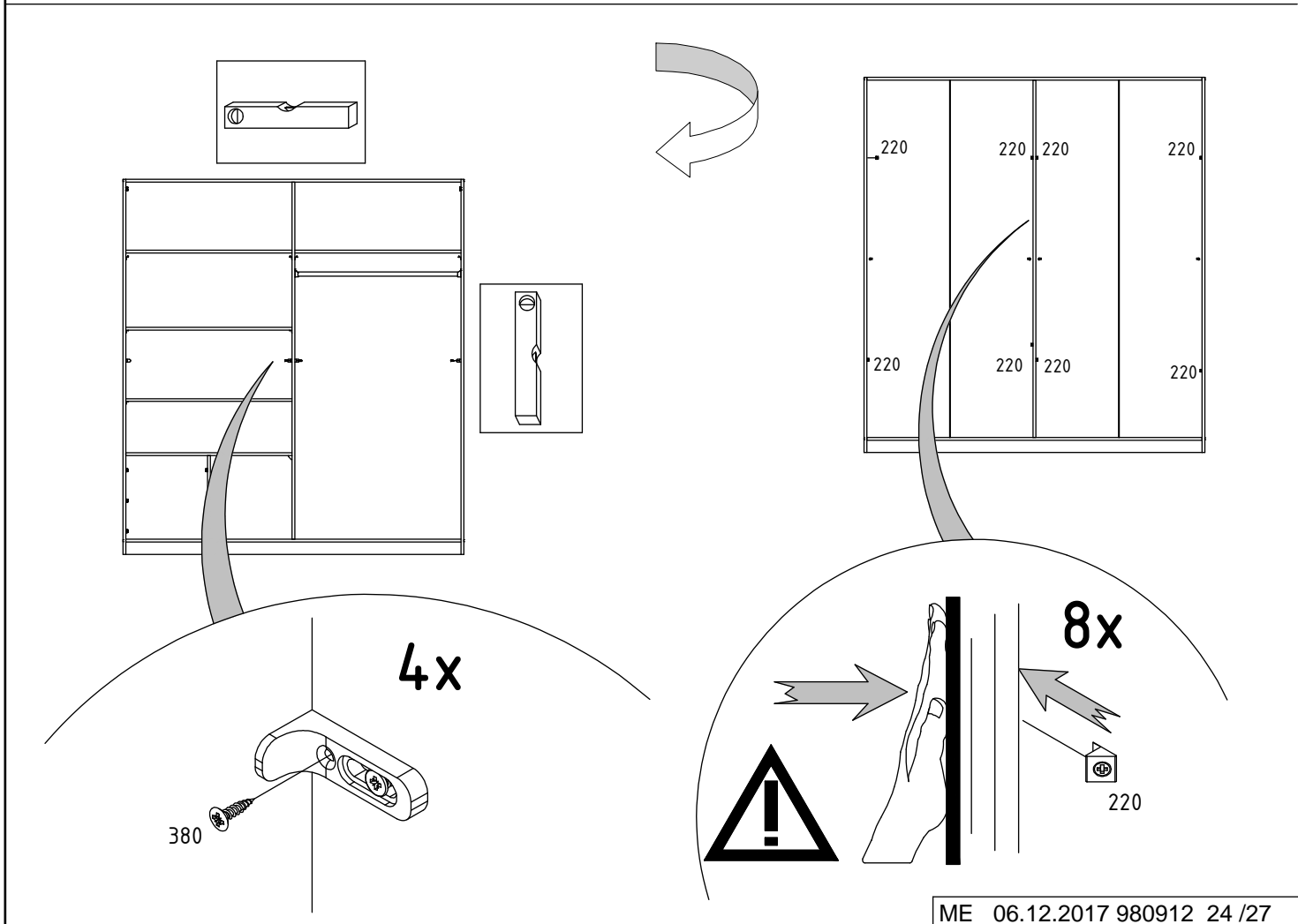
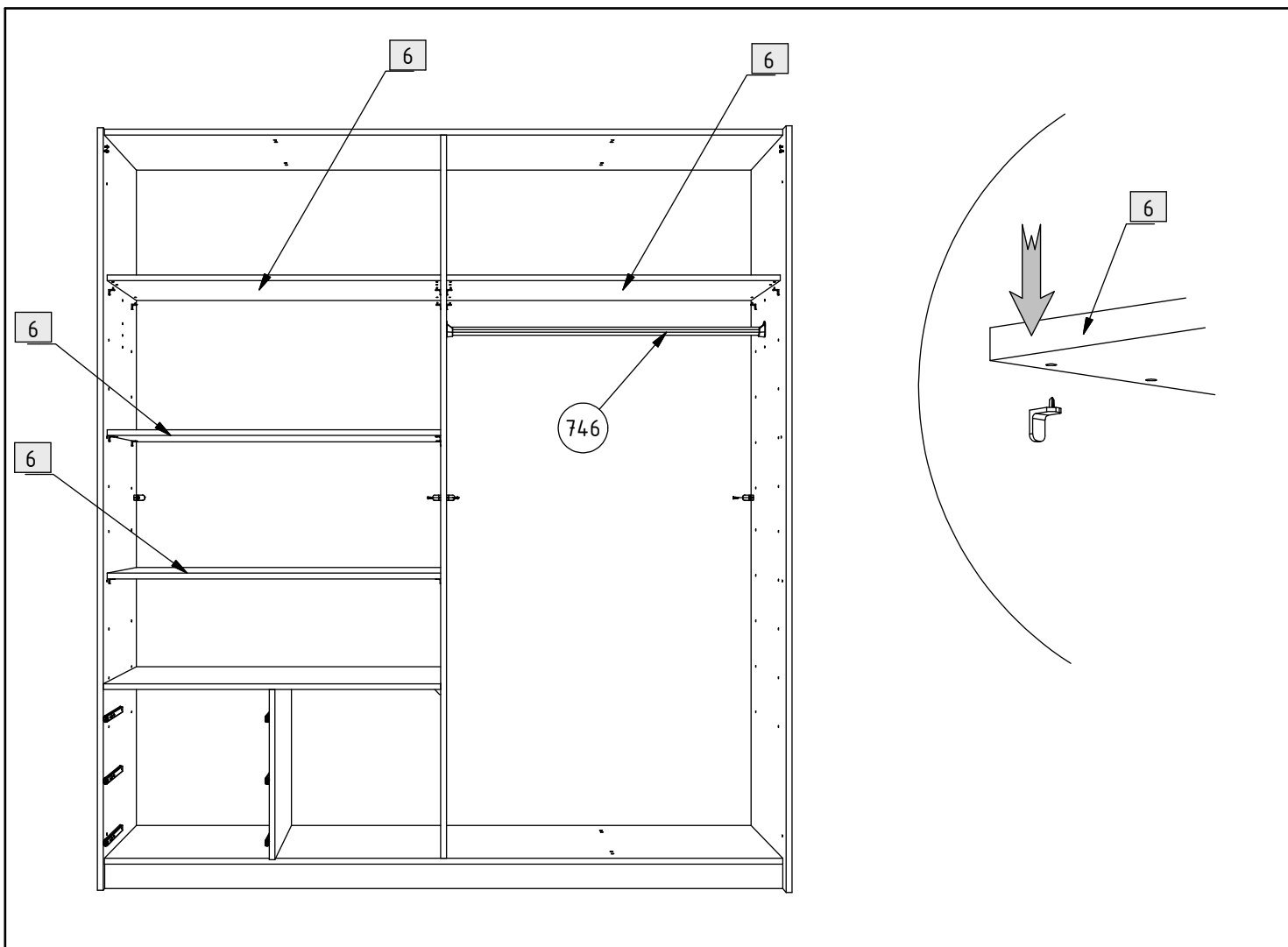














6x

380

794

794

380

380

380

380

380

380

381

381

381

792

381

381

381

5

792

381

6x

