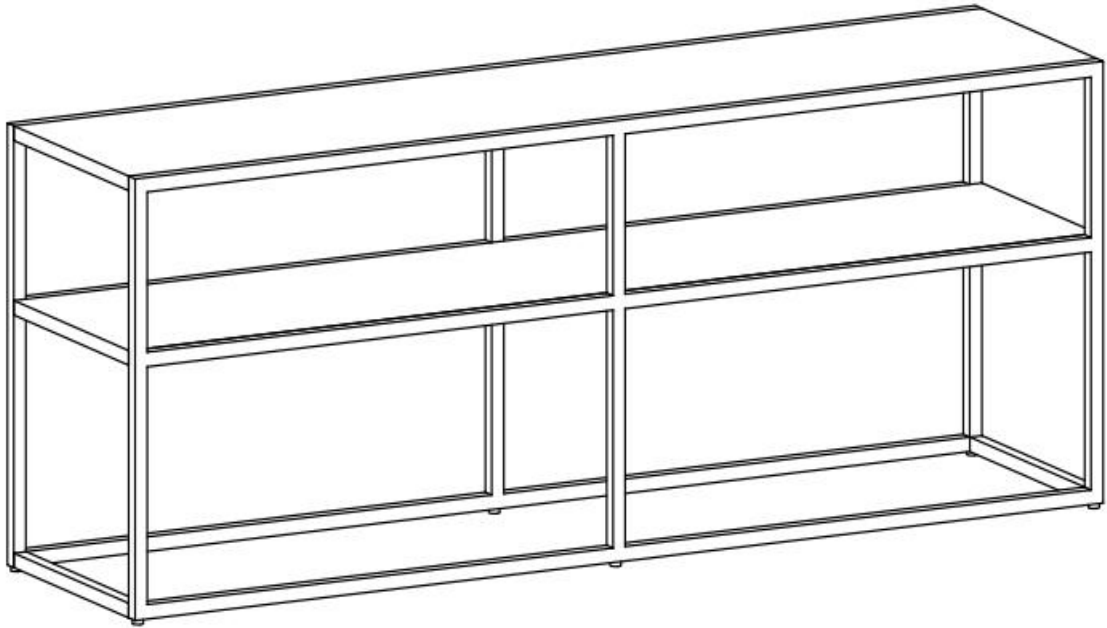
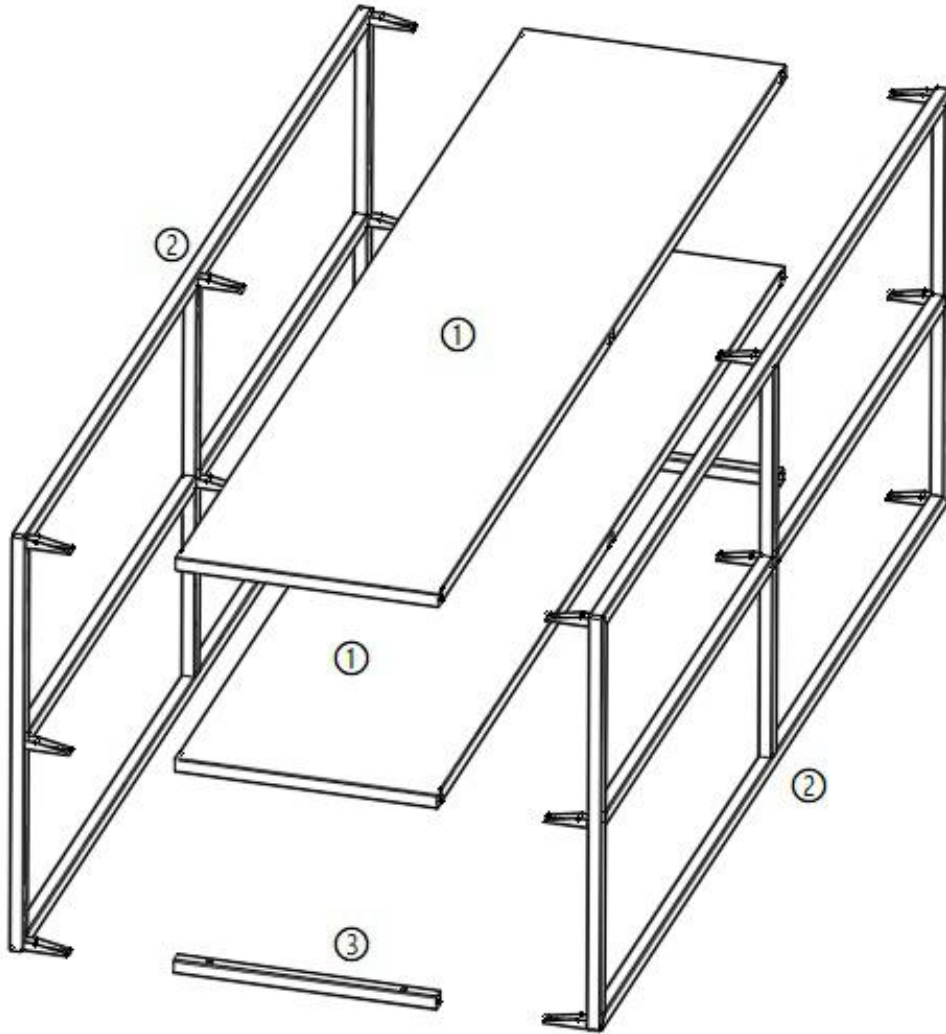


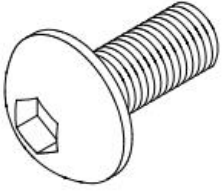
NEWTON- TV UNIT



			✓
①	2	1200x270x15	
②	2	1200x455x60	
③	2	269x15x15	



A x 12



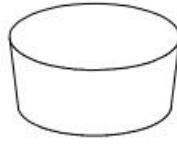
M6 × 12 mm

B x 1



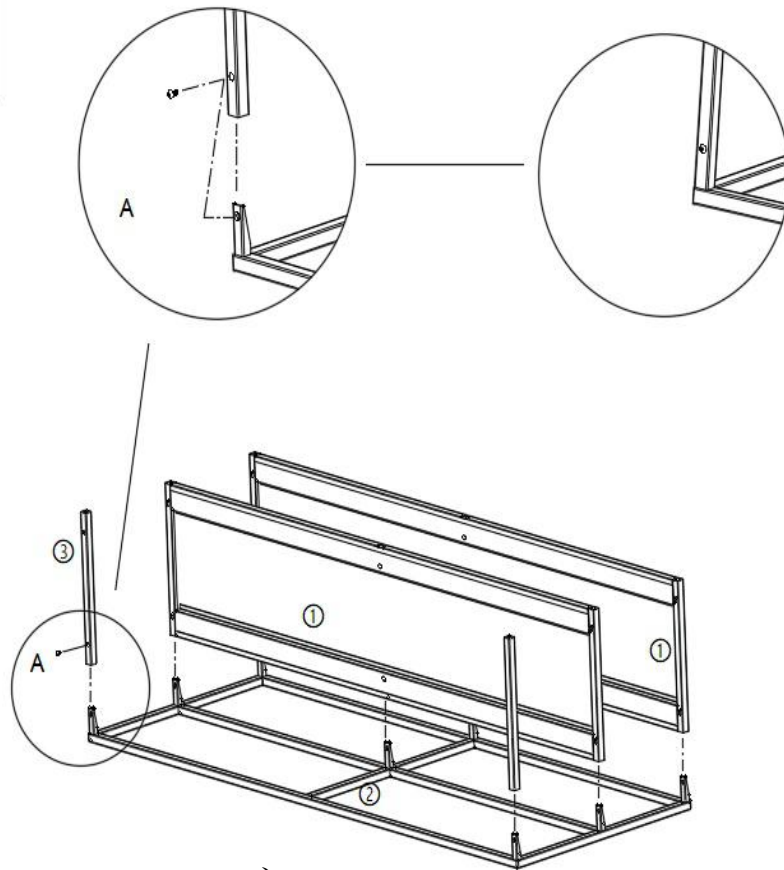
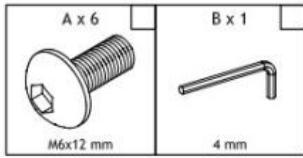
4mm

C x 6

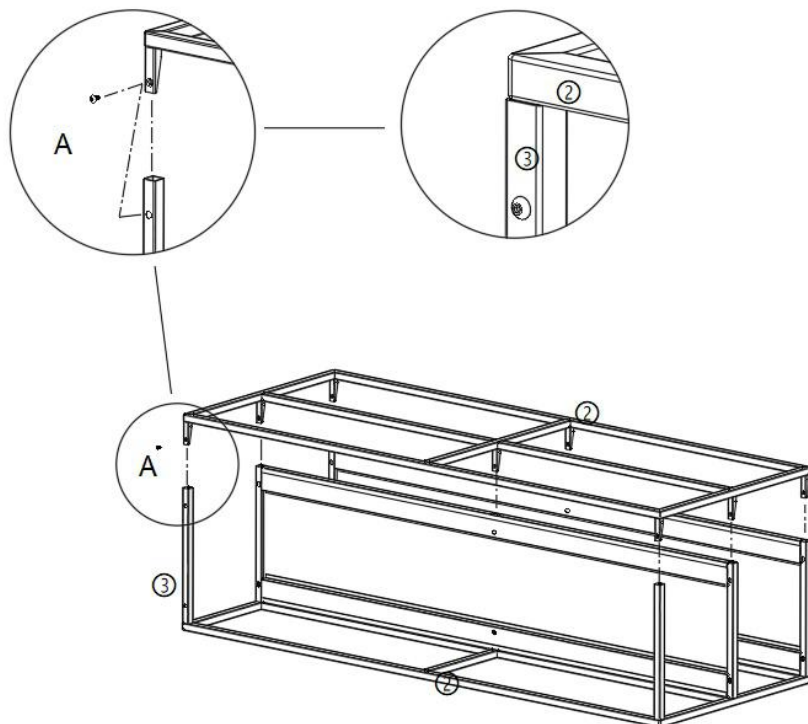
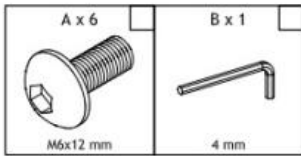


Φ 12×5mm

1



2



3

