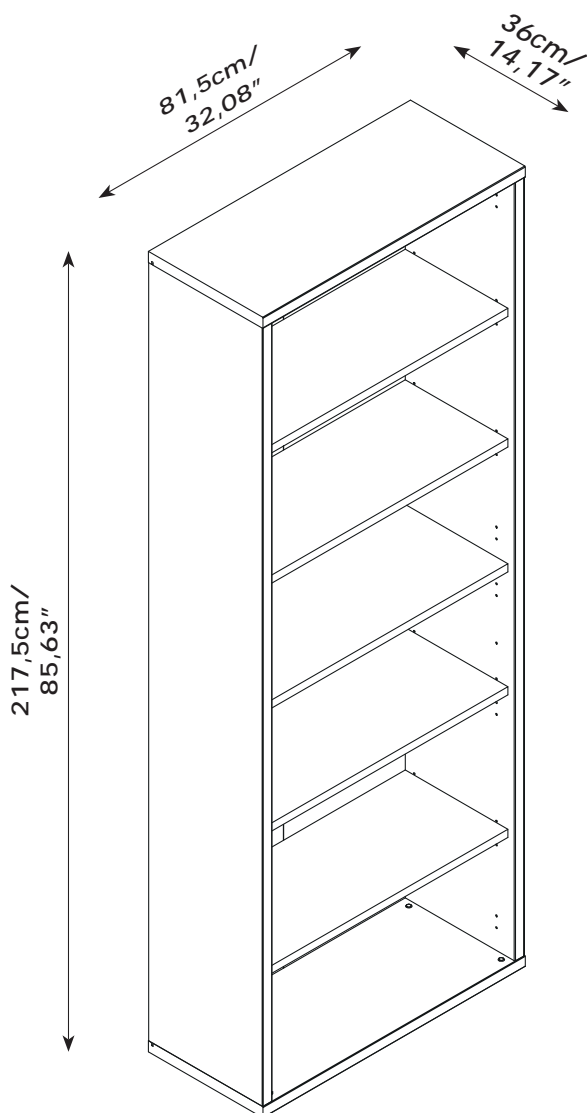
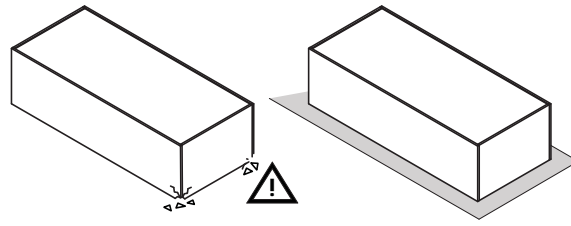
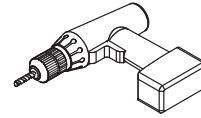
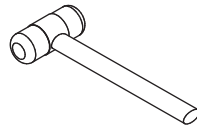
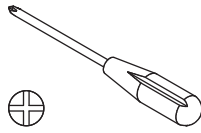
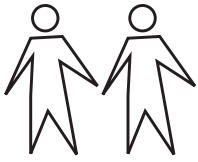


# LB4801B



QF5181



IT IS RECOMMENDED THAT THE ANTI-TIP KIT INCLUDED WITH THIS PRODUCT BE INSTALLED FOR ADDED SAFETY AND STABILITY.

IT IS ESSENTIAL TO USE WALL ANCHORS APPROPRIATE FOR YOUR WALL TYPE (I.E. PLASTER, DRYWALL, CONCRETE, ETC.), ALONG WITH APPROPRIATE SCREWS, FOR PROPER MOUNTING.

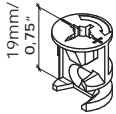
THE SCREWS INCLUDED IN THIS ANTI-TIP KIT MAY NOT BE SUITED FOR ALL WALL TYPES. MOUNTING TO WOOD STUDS IS RECOMMENDED.

CONSULT A QUALIFIED PROFESSIONAL OR YOUR LOCAL HARDWARE STORE FOR APPROPRIATE MOUNTING HARDWARE SUITED FOR YOUR SPECIFIC WALL MEDIUM.

**BU3401**



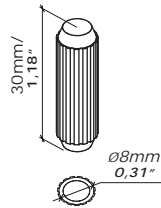
**T7**  
x4



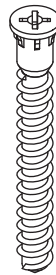
**T97**  
x4



**T28**  
x8



**H1**  
x12



**V57**  
x4



**H2**  
x20



**V5**  
x20



**V81**  
x2



**H129**  
x2



**R40**  
x16



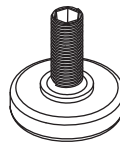
**G031**  
x22



**G120**  
x4



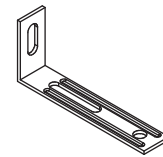
**G57**  
x4



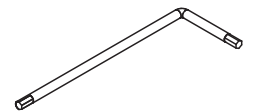
**P25**  
x4



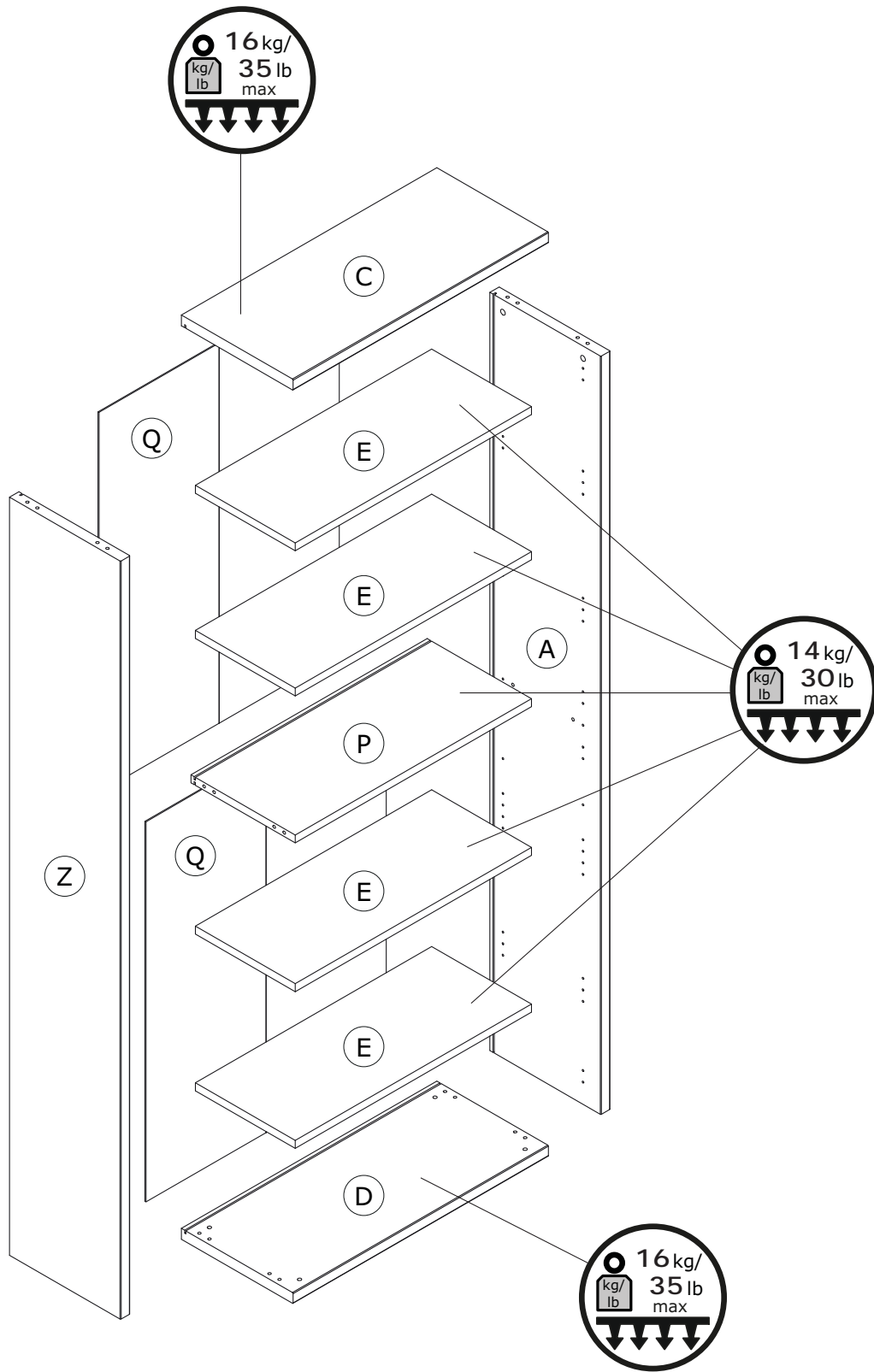
**H118**  
x4

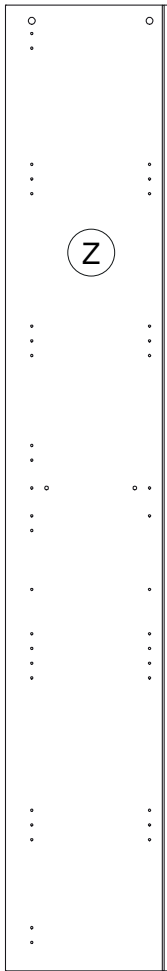


**H185**  
x1

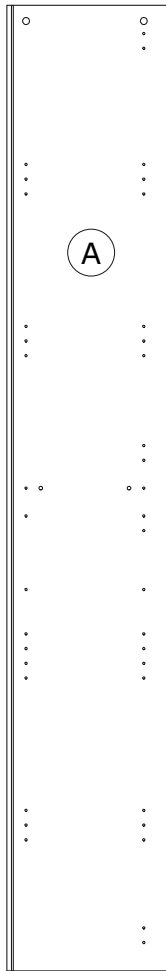


**H138**  
x1

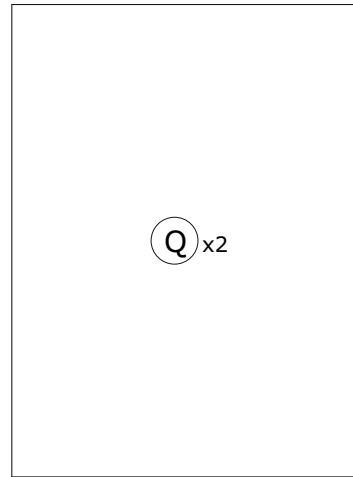




**FI8314**  
2100x355x30mm/  
**82,68" x 13,98" x 1,18"**

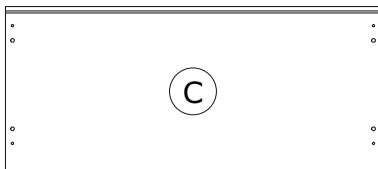


**FI8312**  
2100x355x30mm/  
**82,68" x 13,98" x 1,18"**

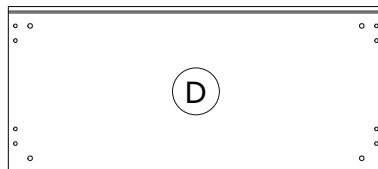


**SH3190**  
1053x768x2mm/  
**41,46" x 30,24" x 0,08"**

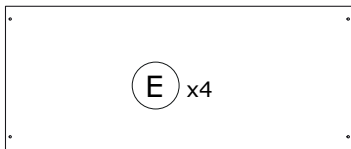
BOX 1/2



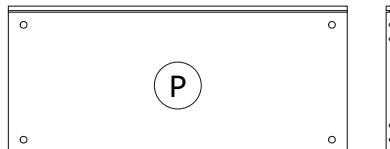
**CA3407**  
816x357x30mm/  
**32,01" x 14,06" x 1,18"**



**BA2095**  
816x357x30mm/  
**32,12" x 14,05" x 1,18"**



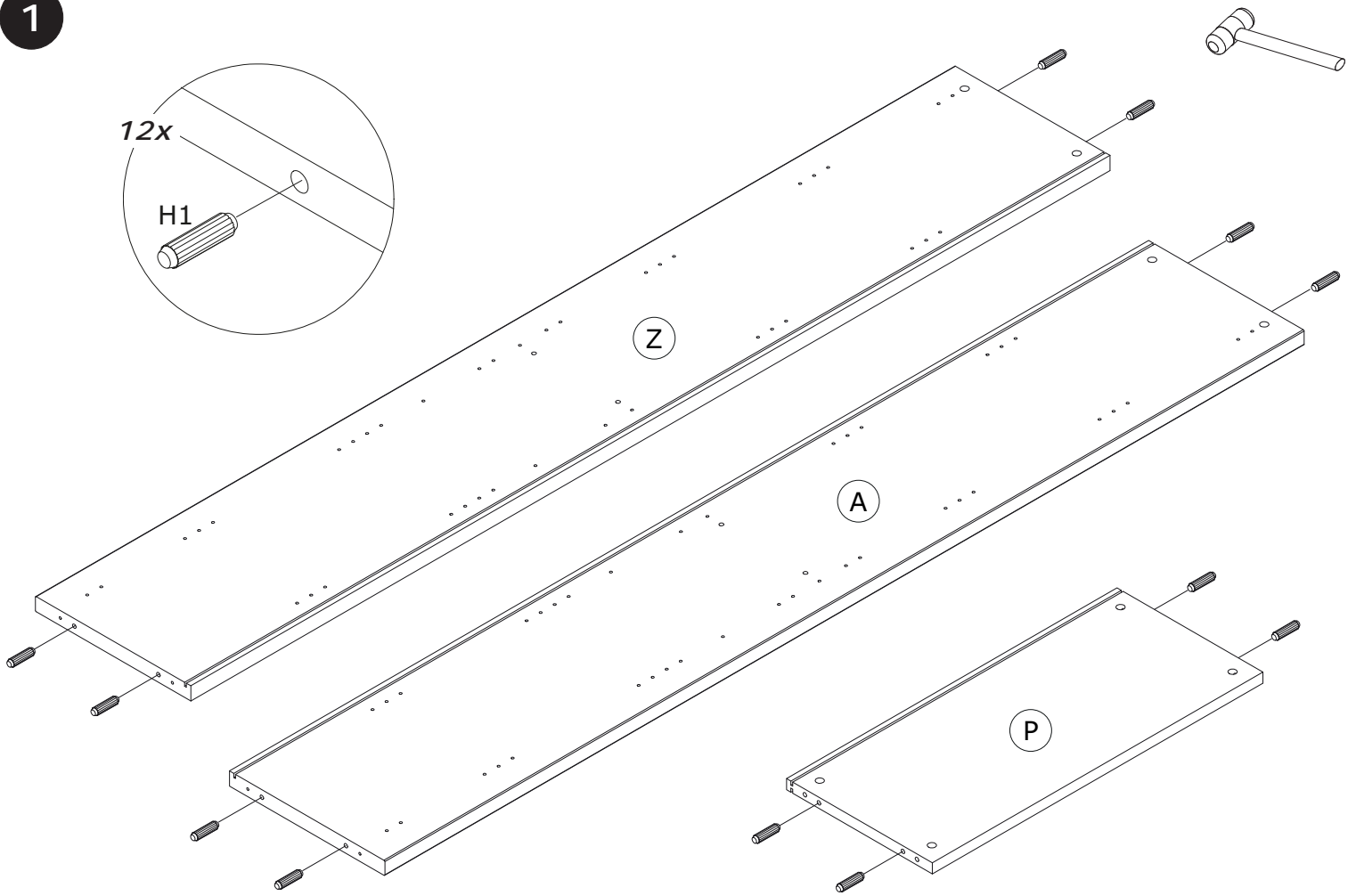
**PI6991**  
755x319x22mm/  
**29,72" x 12,56" x 0,87"**



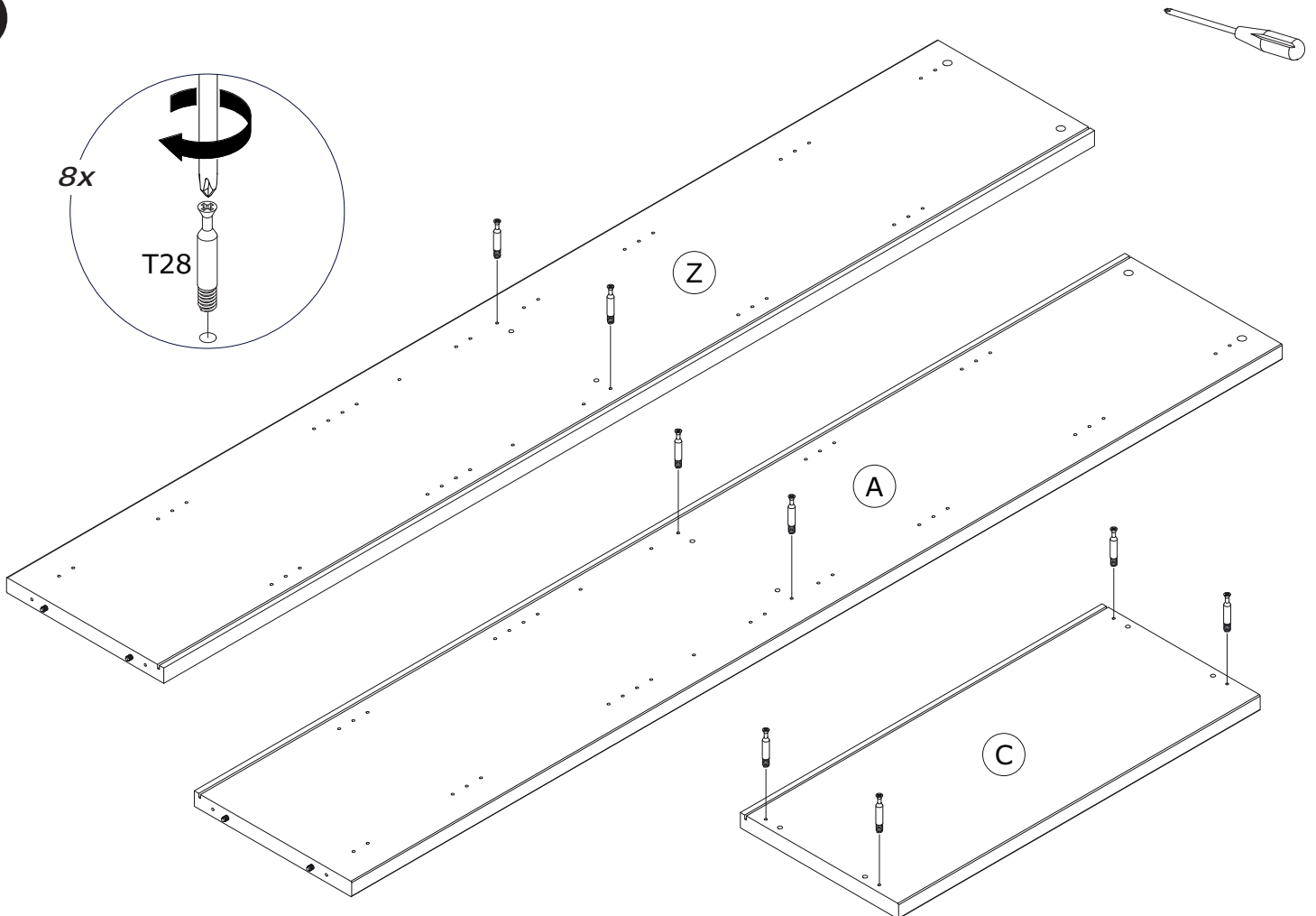
**PI6992**  
755x333x22mm/  
**29,72" x 13,11" x 0,87"**

BOX 2/2

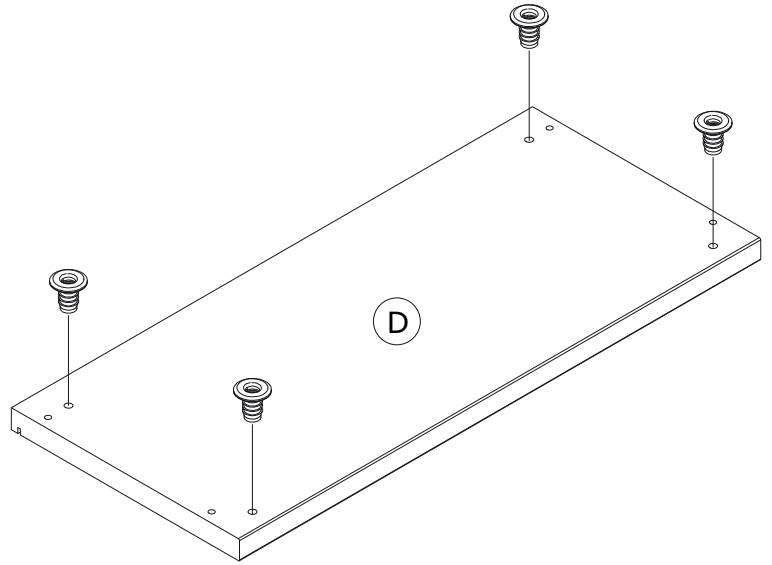
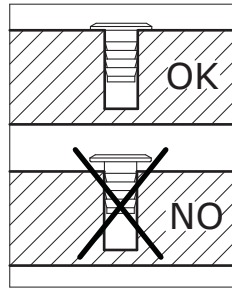
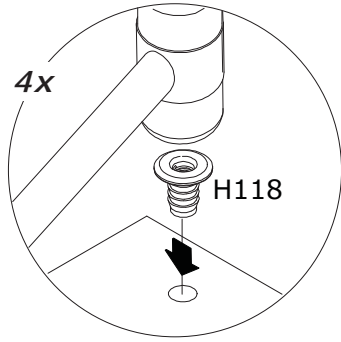
1



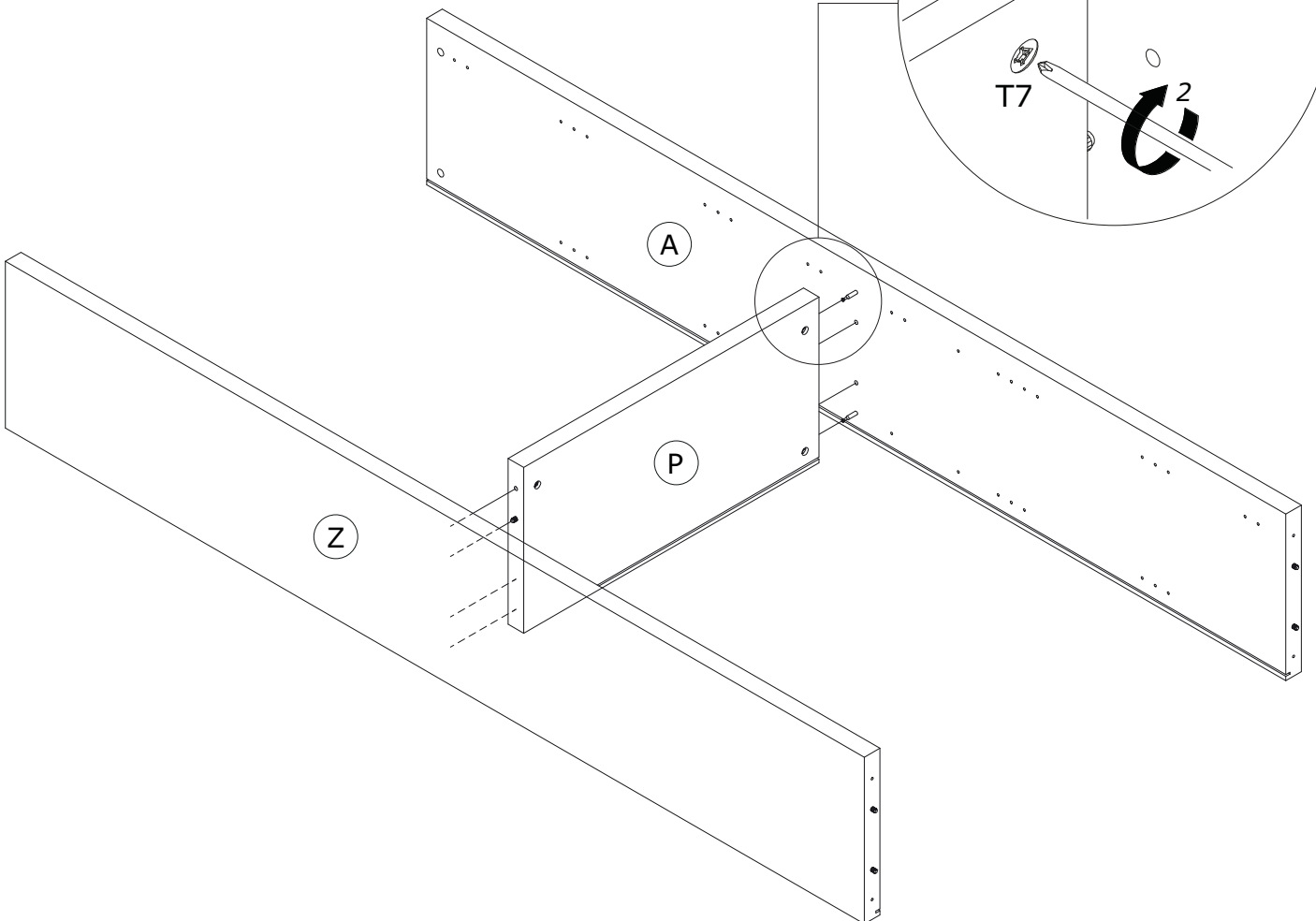
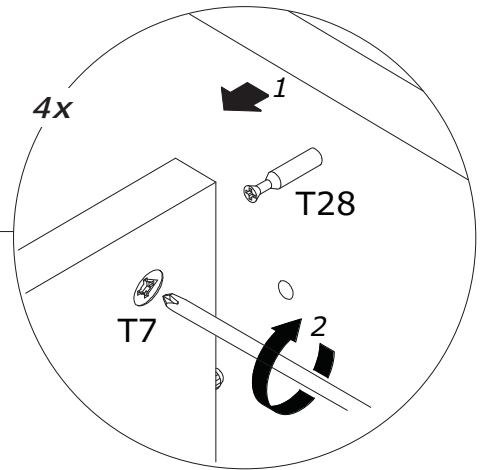
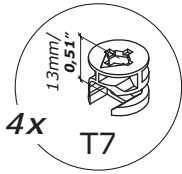
2



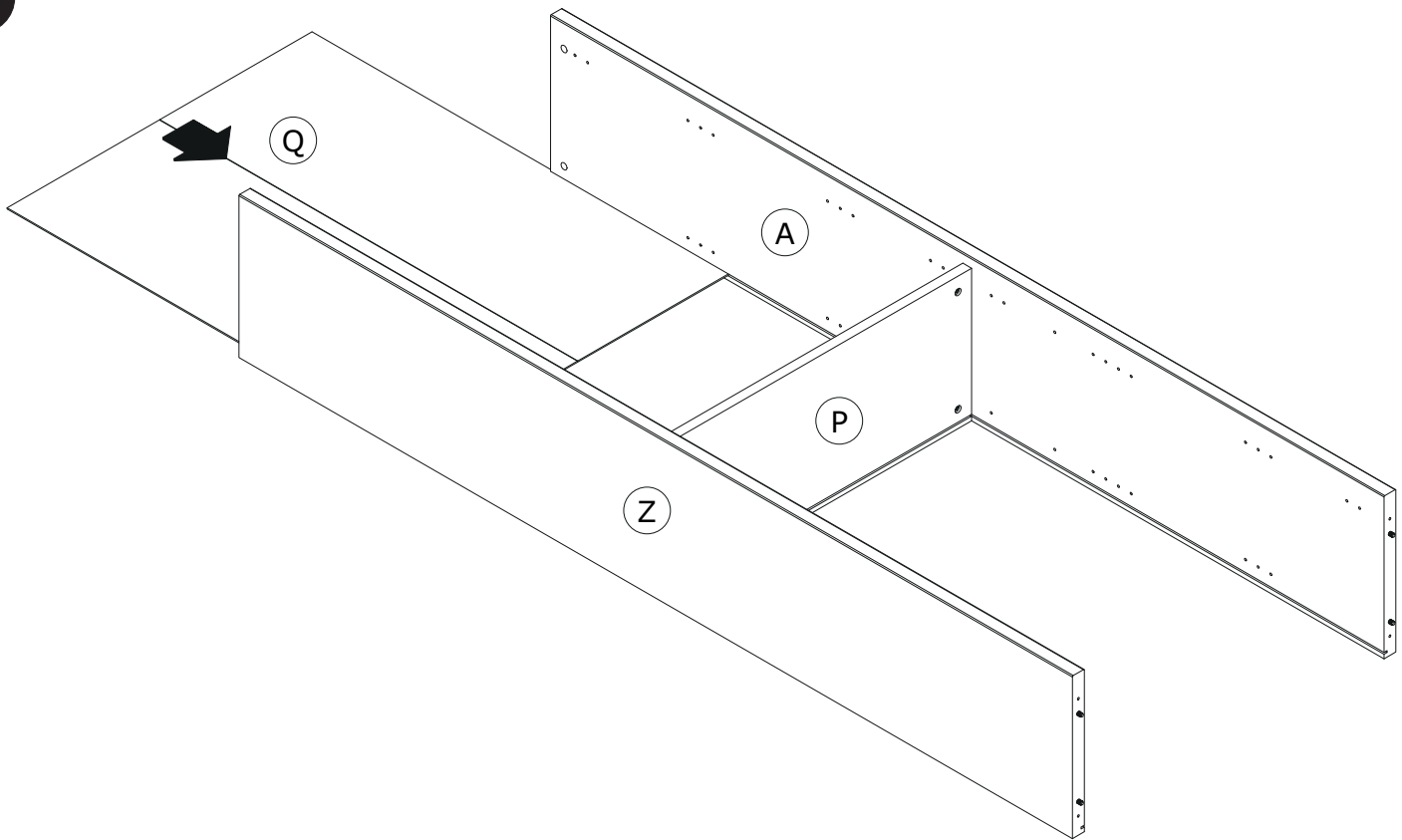
3



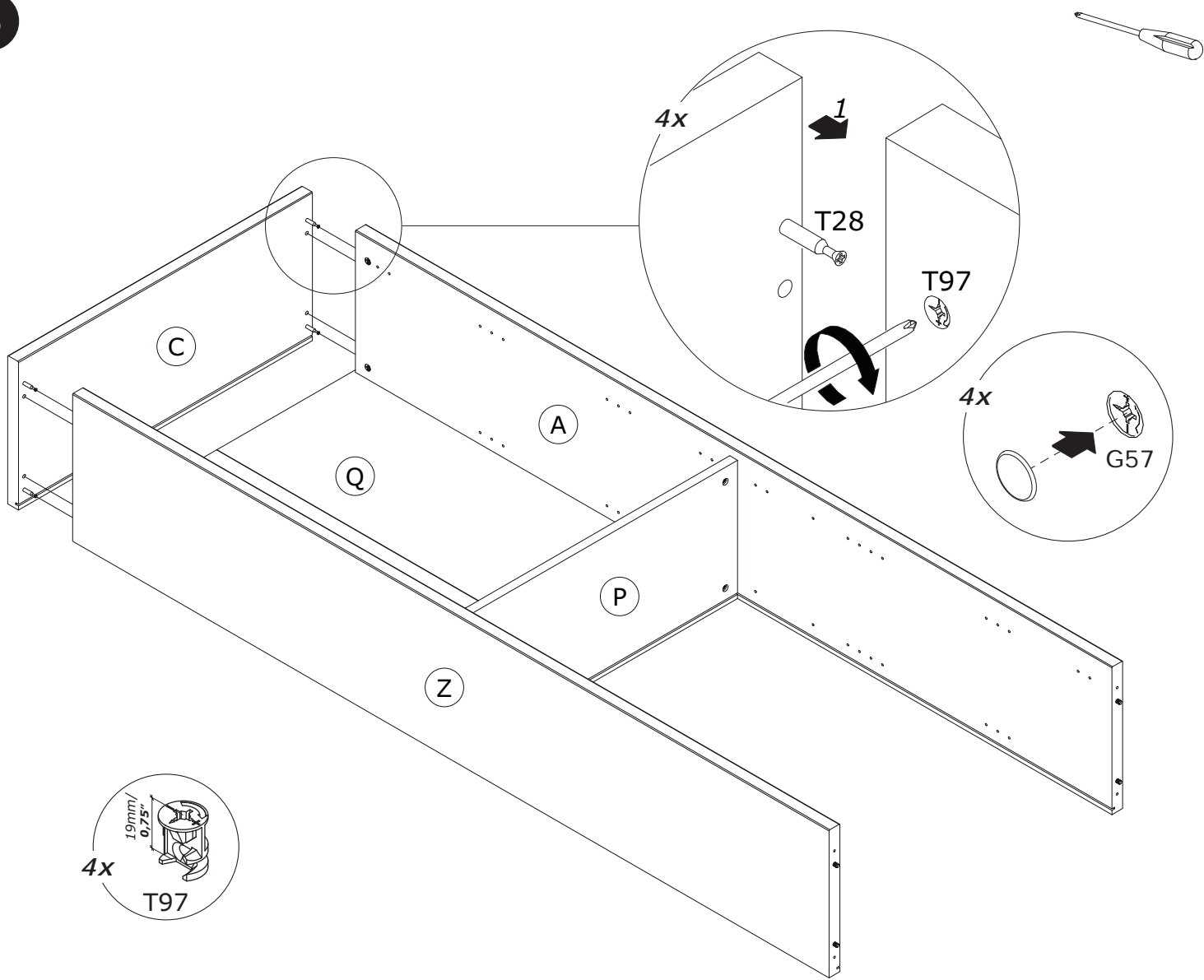
4



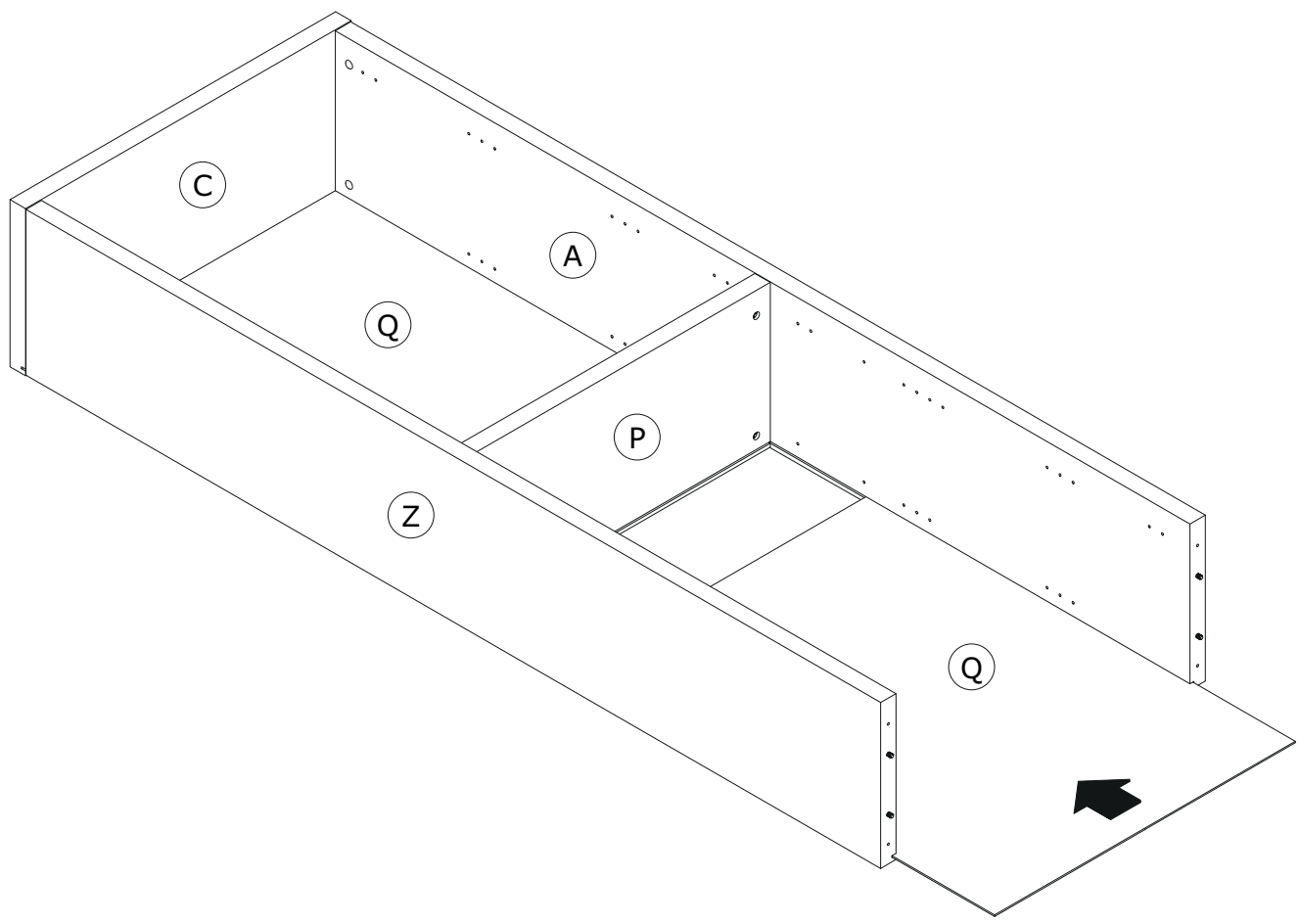
5



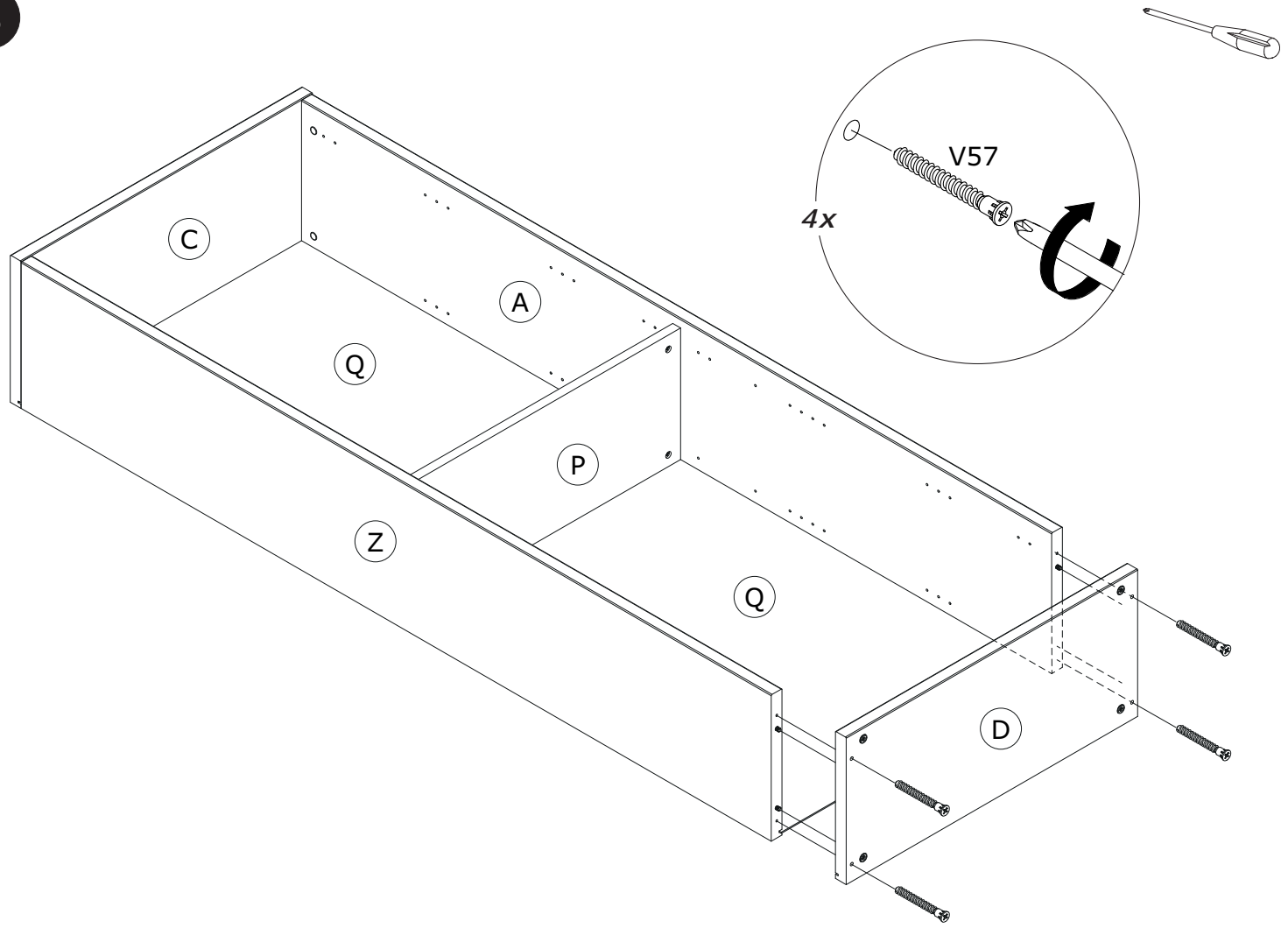
6



7

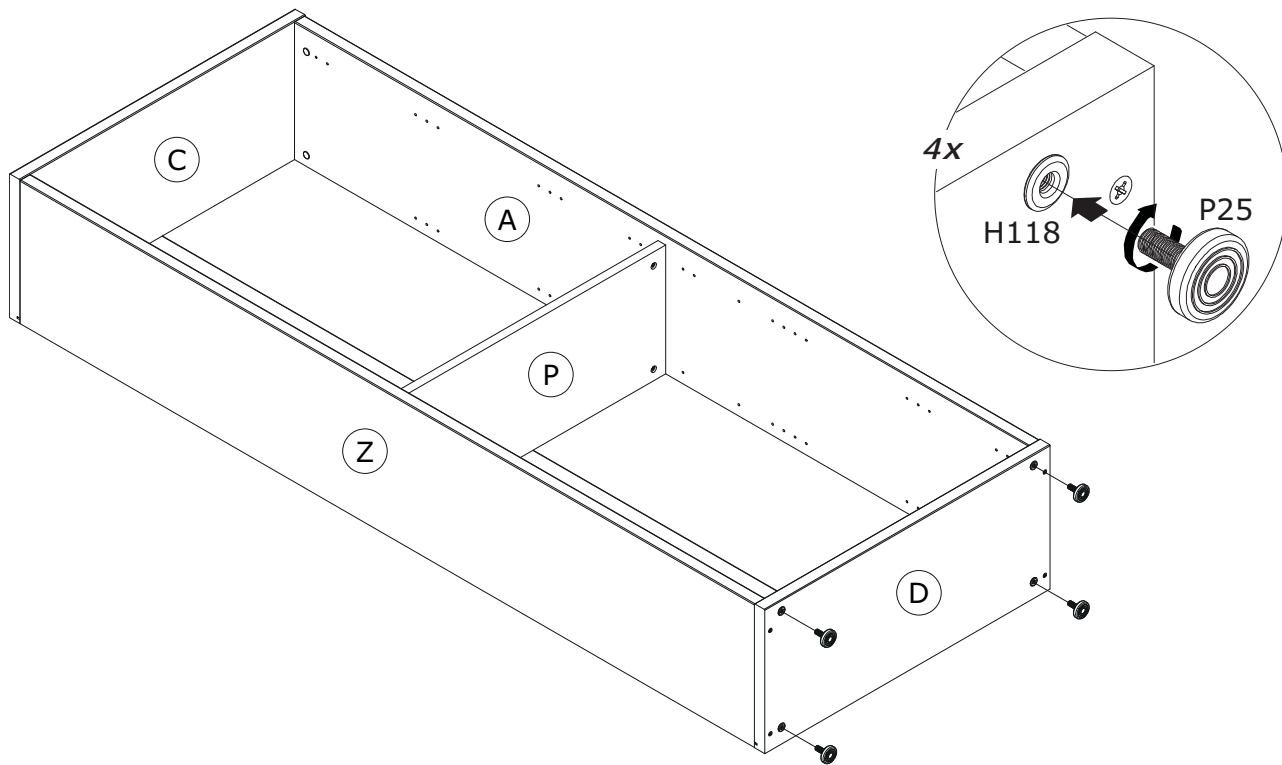


8

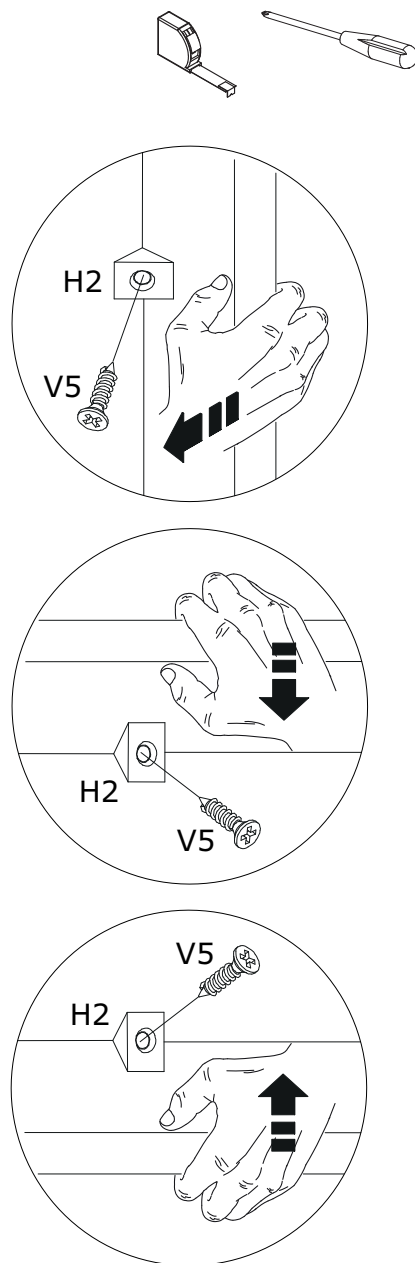
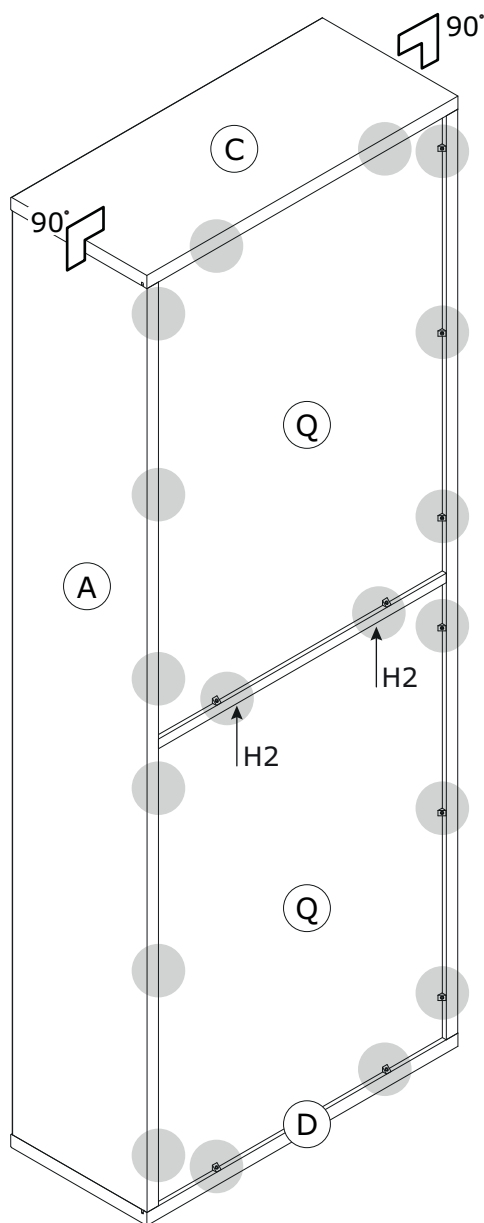
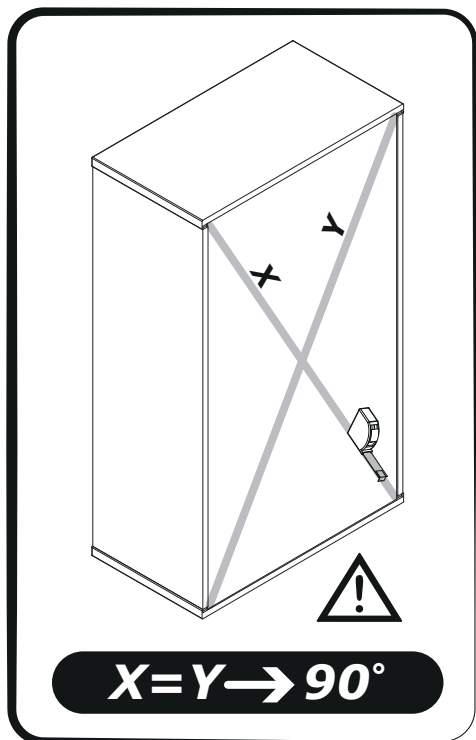


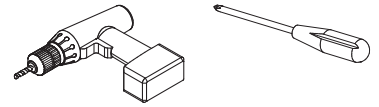


9



10



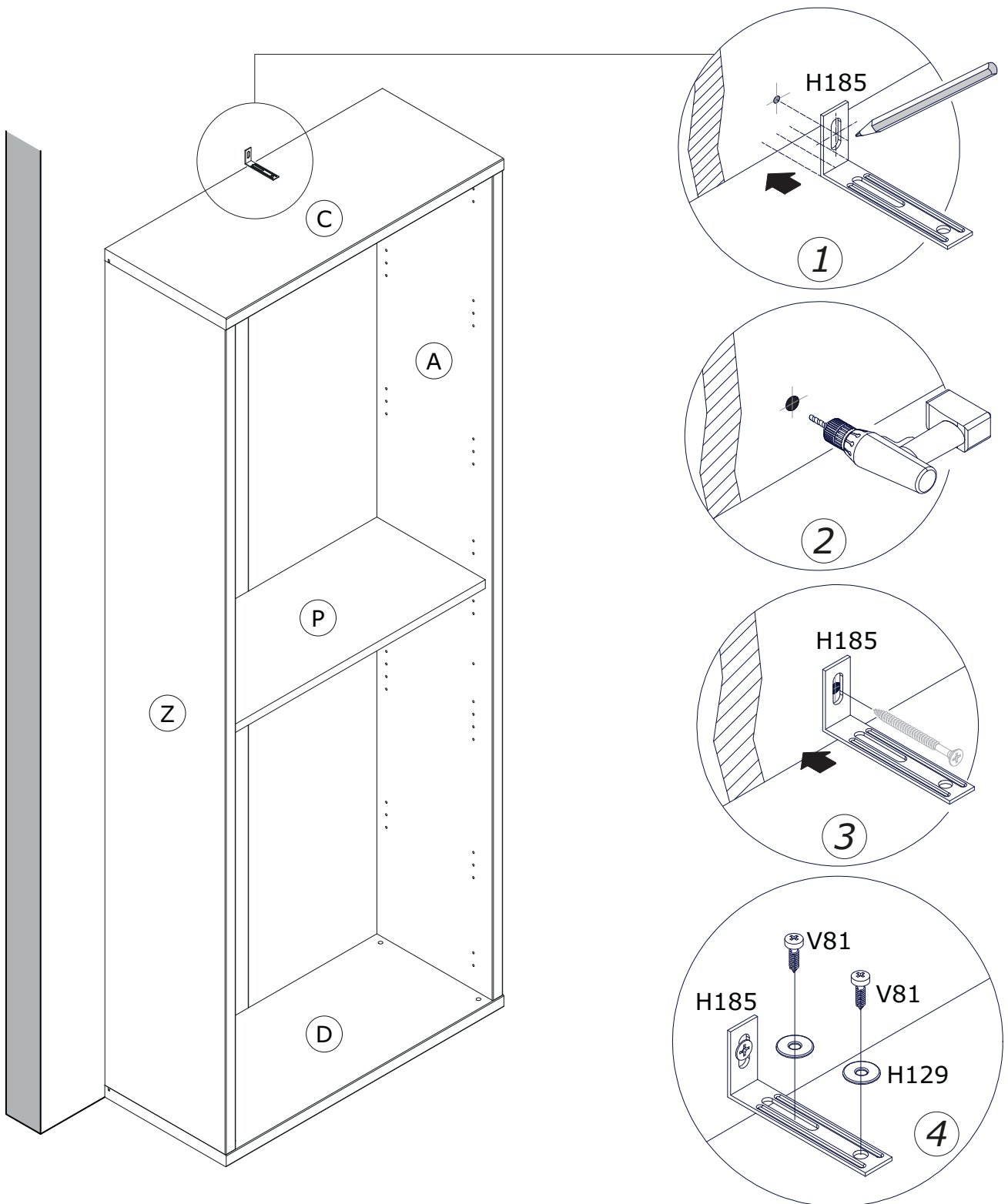


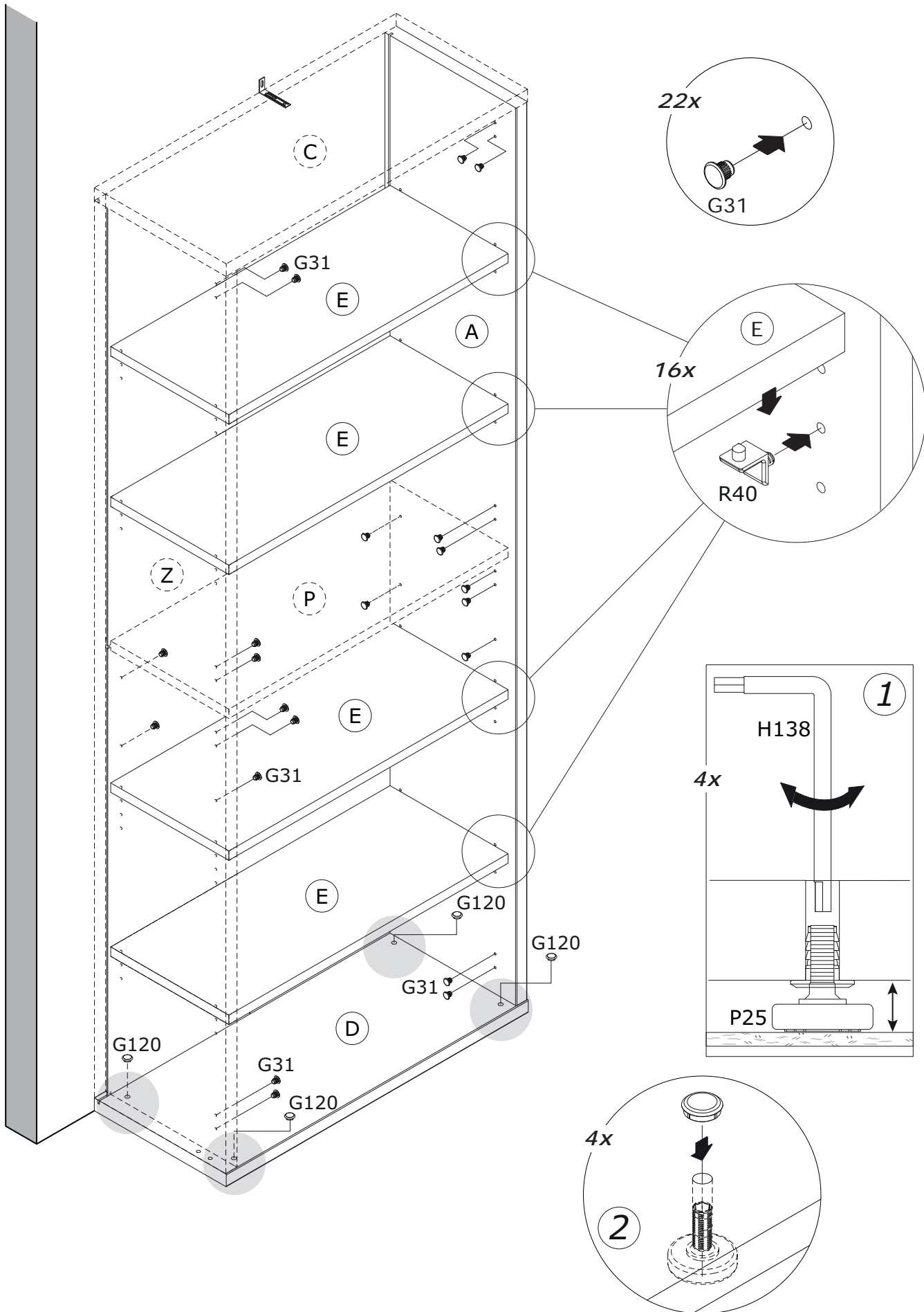
IT IS RECOMMENDED THAT THE ANTI-TIP KIT INCLUDED WITH THIS PRODUCT BE INSTALLED FOR ADDED SAFETY AND STABILITY.

IT IS ESSENTIAL TO USE WALL ANCHORS APPROPRIATE FOR YOUR WALL TYPE (I.E. PLASTER, DRYWALL, CONCRETE, ETC.), ALONG WITH APPROPRIATE SCREWS, FOR PROPER MOUNTING.

THE SCREWS INCLUDED IN THIS ANTI-TIP KIT MAY NOT BE SUITED FOR ALL WALL TYPES. MOUNTING TO WOOD STUDS IS RECOMMENDED.

CONSULT A QUALIFIED PROFESSIONAL OR YOUR LOCAL HARDWARE STORE FOR APPROPRIATE MOUNTING HARDWARE SUITED FOR YOUR SPECIFIC WALL MEDIUM.

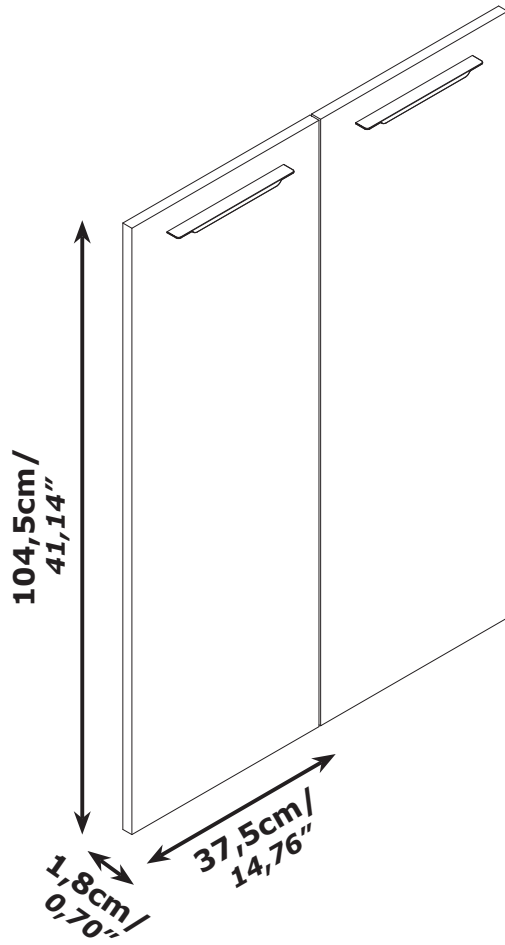




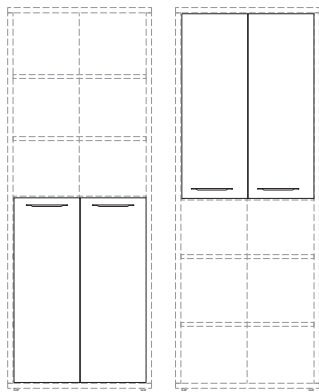
# AN4803B



MIX  
Wood | Supporting  
responsible forestry  
FSC® C011298



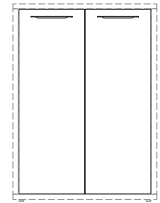
**A**



**B**



**C**



FR  
Pensez à  
donner ou recycler.



Association

ou



Magasin

ou



Déchèterie

<https://quefairedemesdechets.fr>

QF5198-1

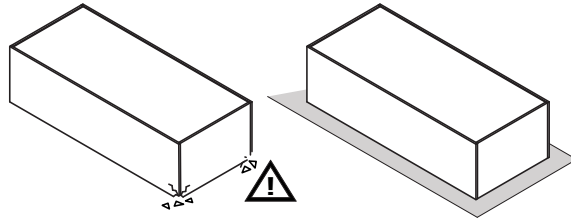
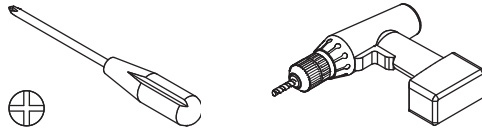
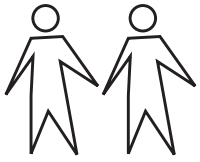


The Eco-Ethical Company

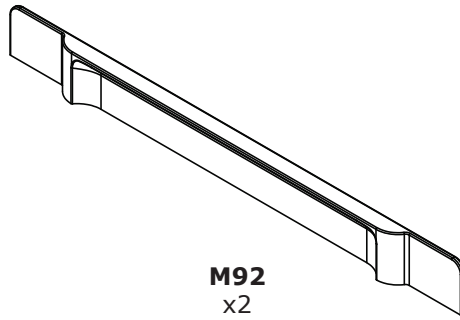


MADE IN ITALY

Produced by COMPOSAD srl, Via Lombardia 29, 46019 Viadana (MN) ITALY



**BU2941**



**M92**  
x2

**BU2927**



**H113**  
x4



**V137**  
x4

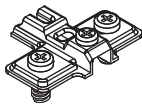


**G31**  
x4

**BU0319 x2**



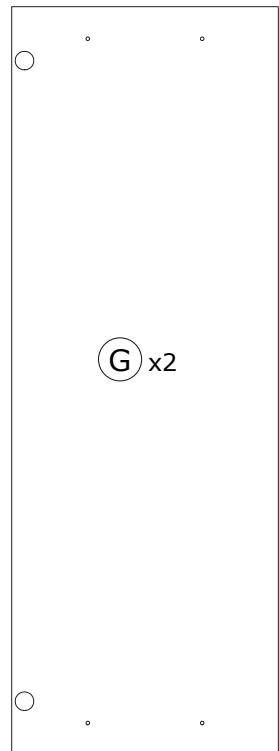
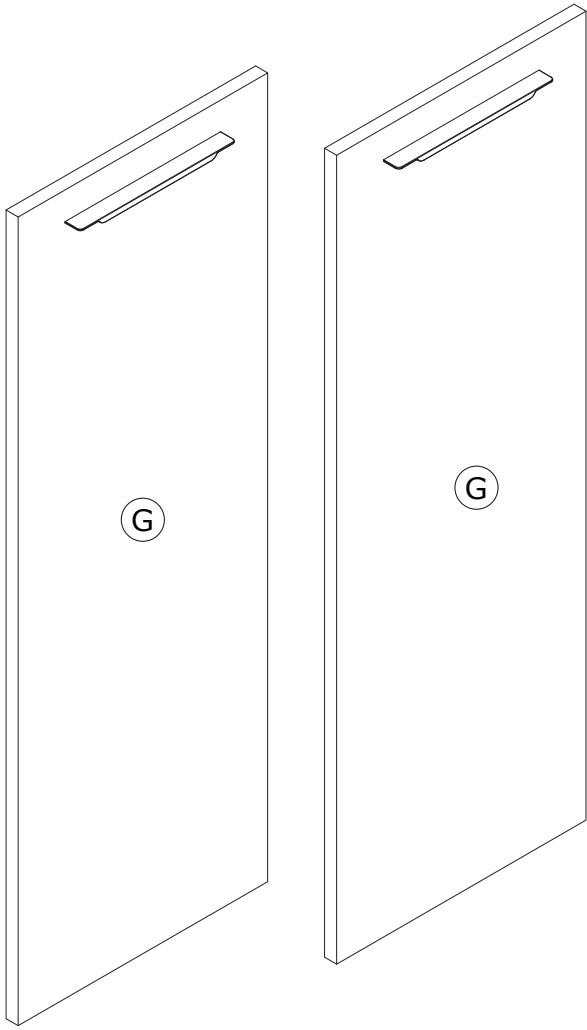
**C39**  
x2



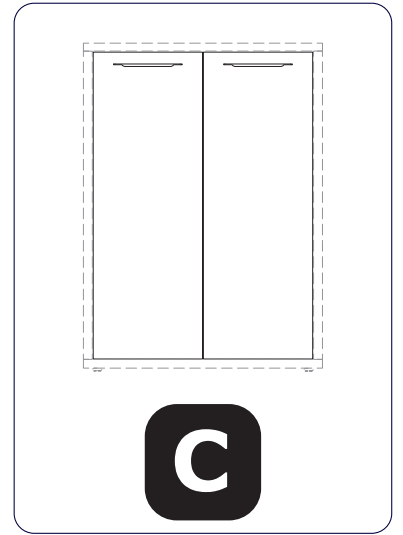
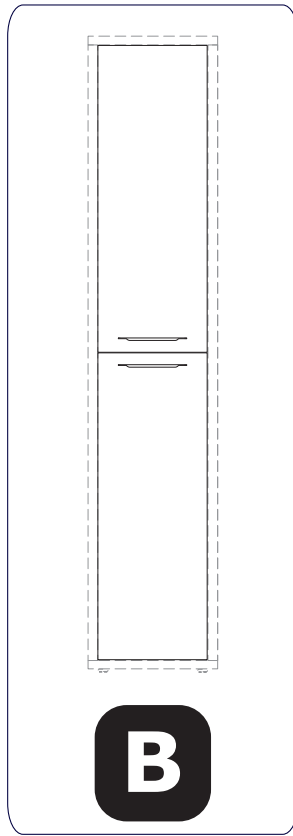
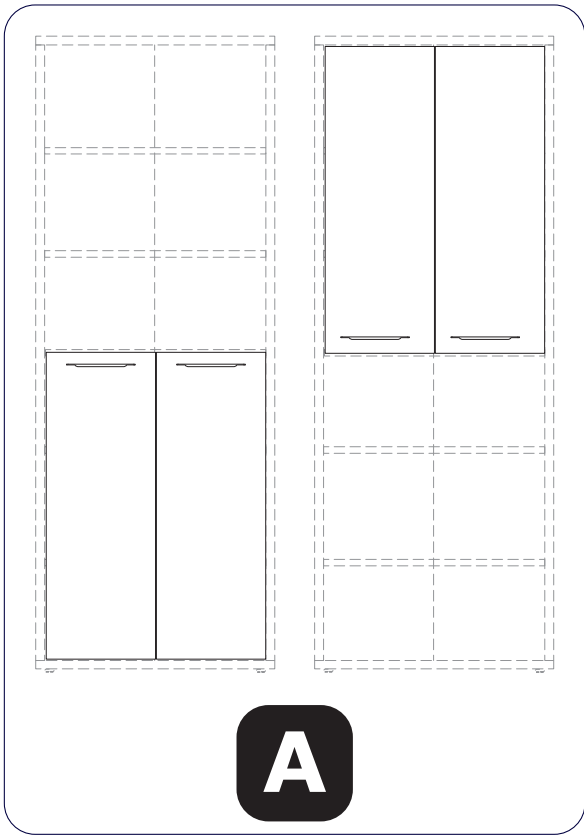
**B9**  
x2



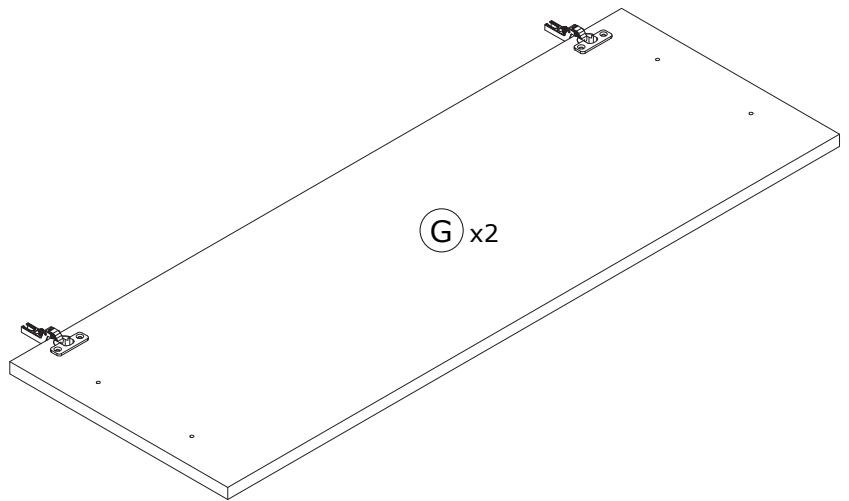
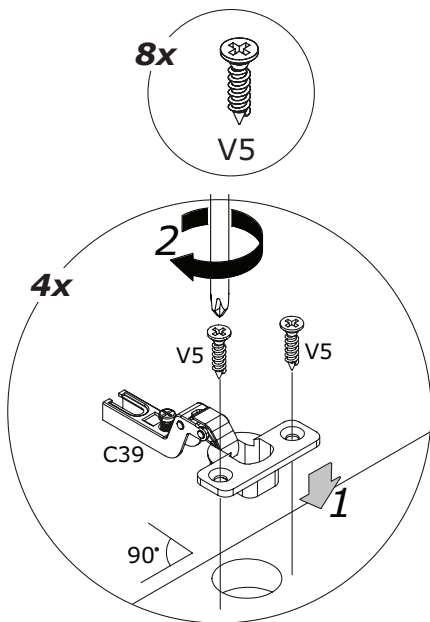
**V5**  
x4

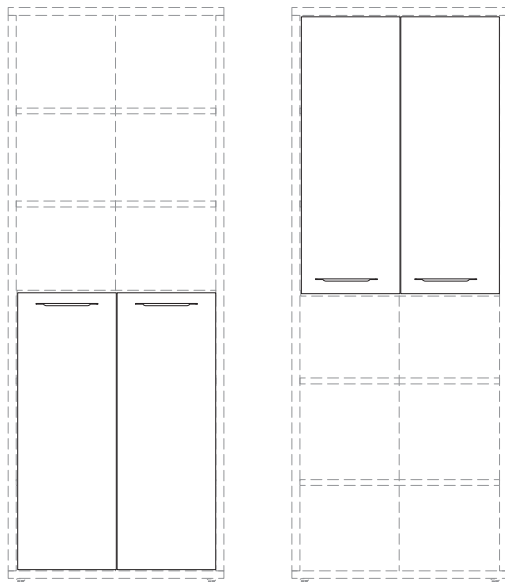


**AN2462**  
1047x373x18mm/  
41,22" x 1,68" x 0,71"



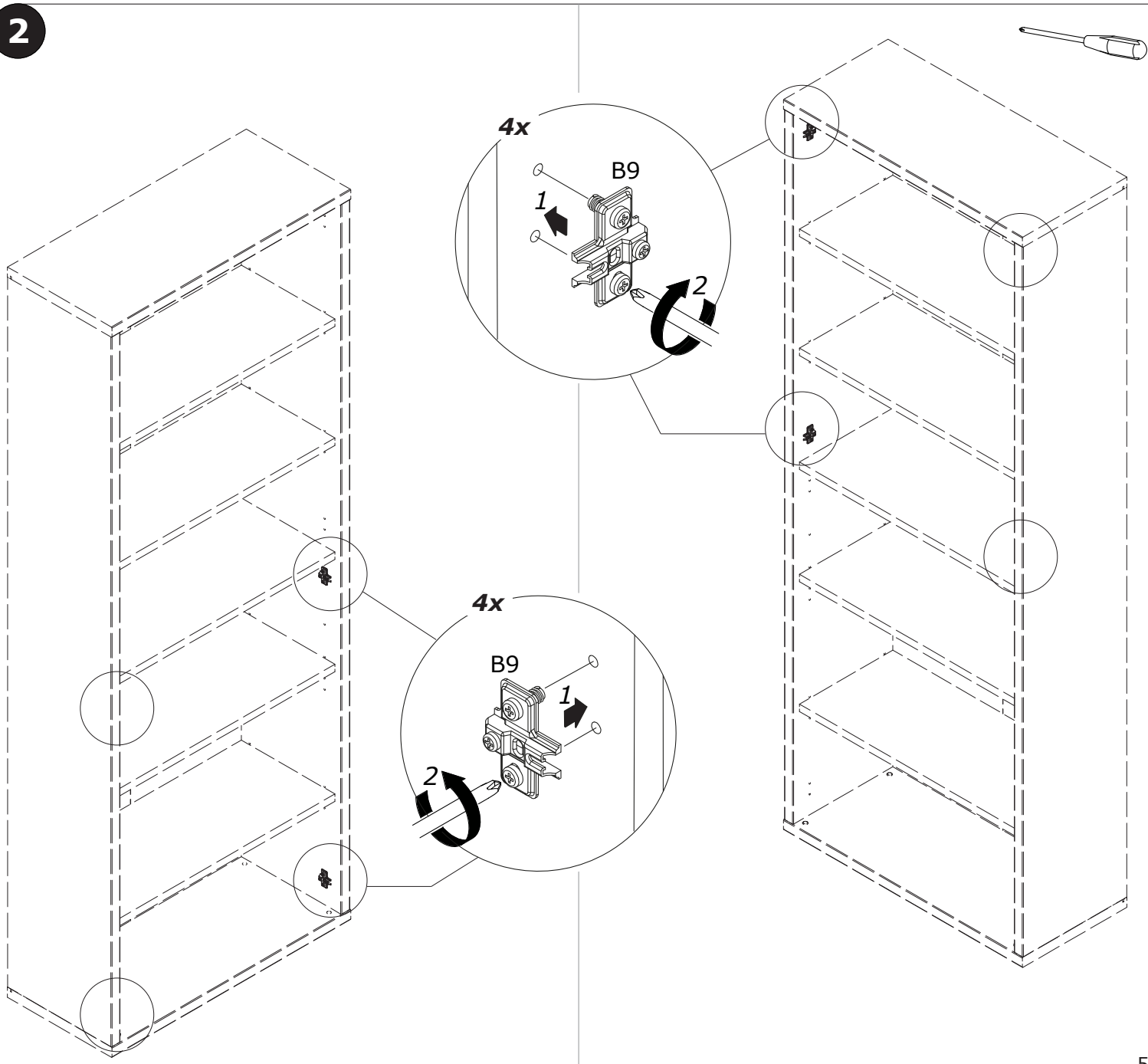
**1**





**A**

**2**

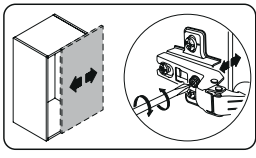
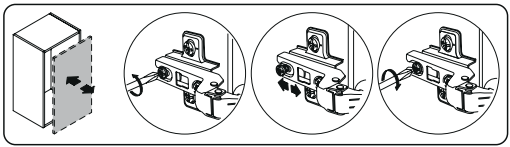
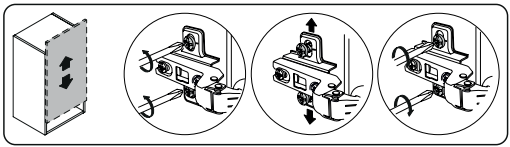
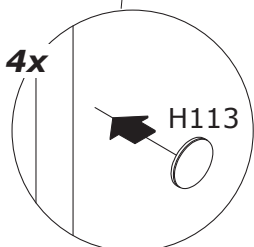
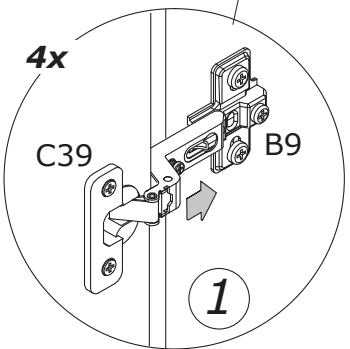
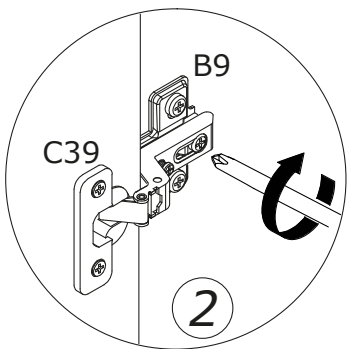
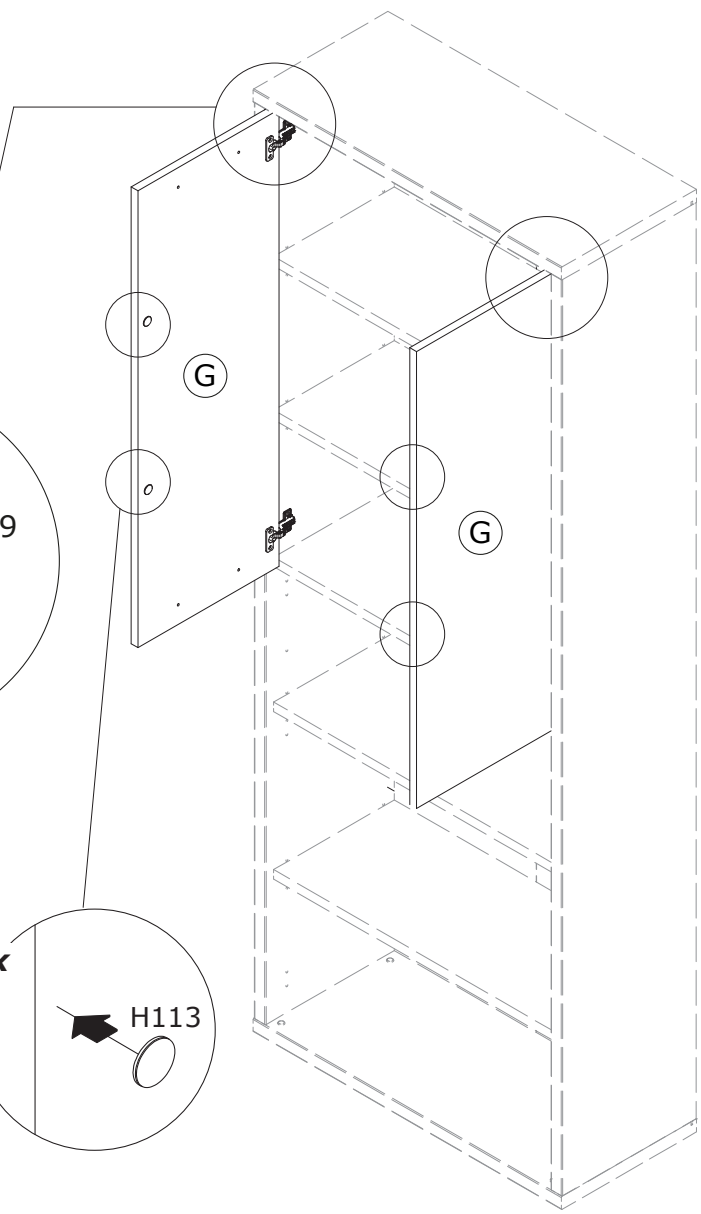
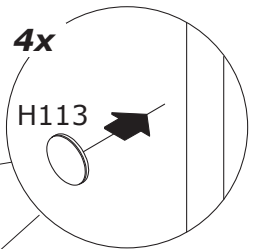
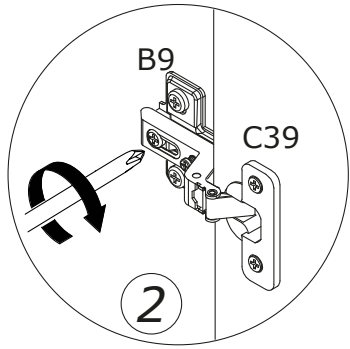
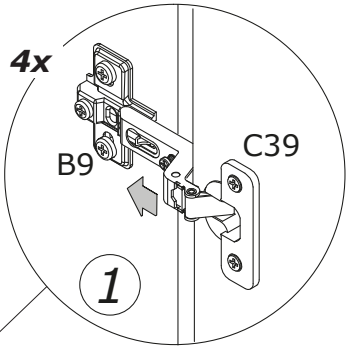
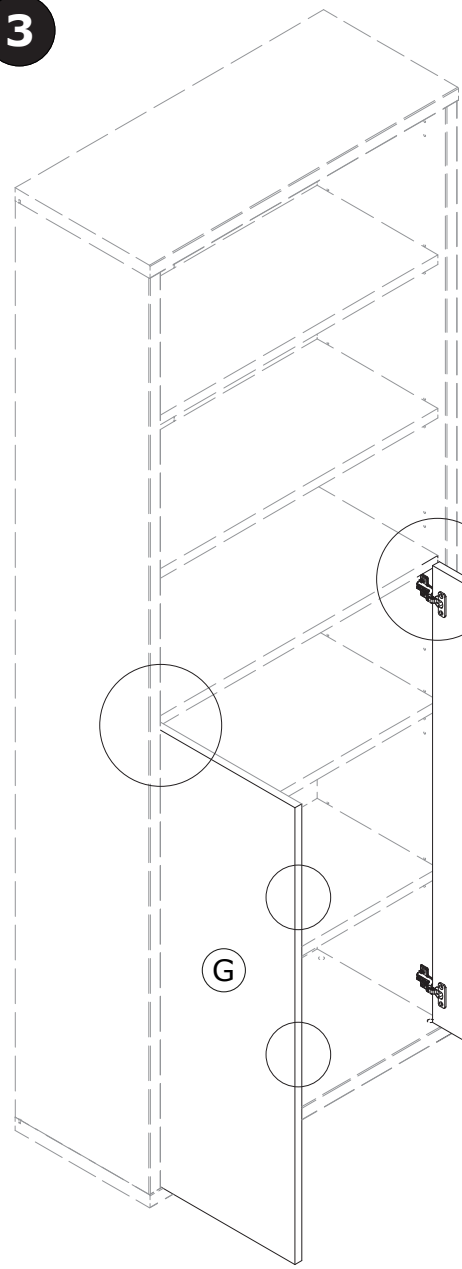




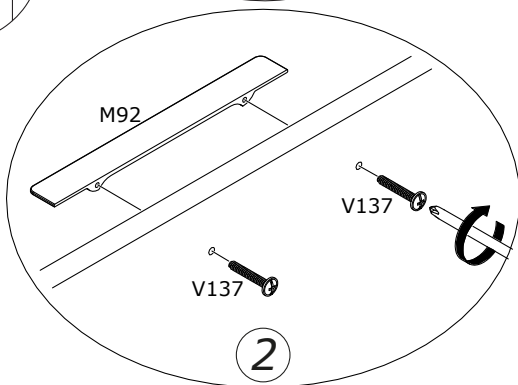
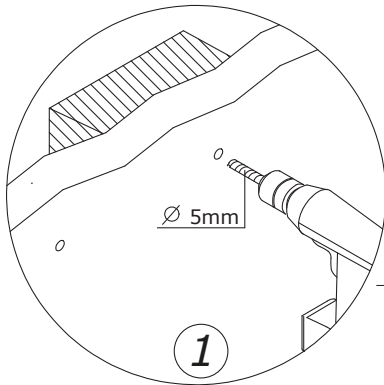
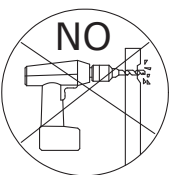
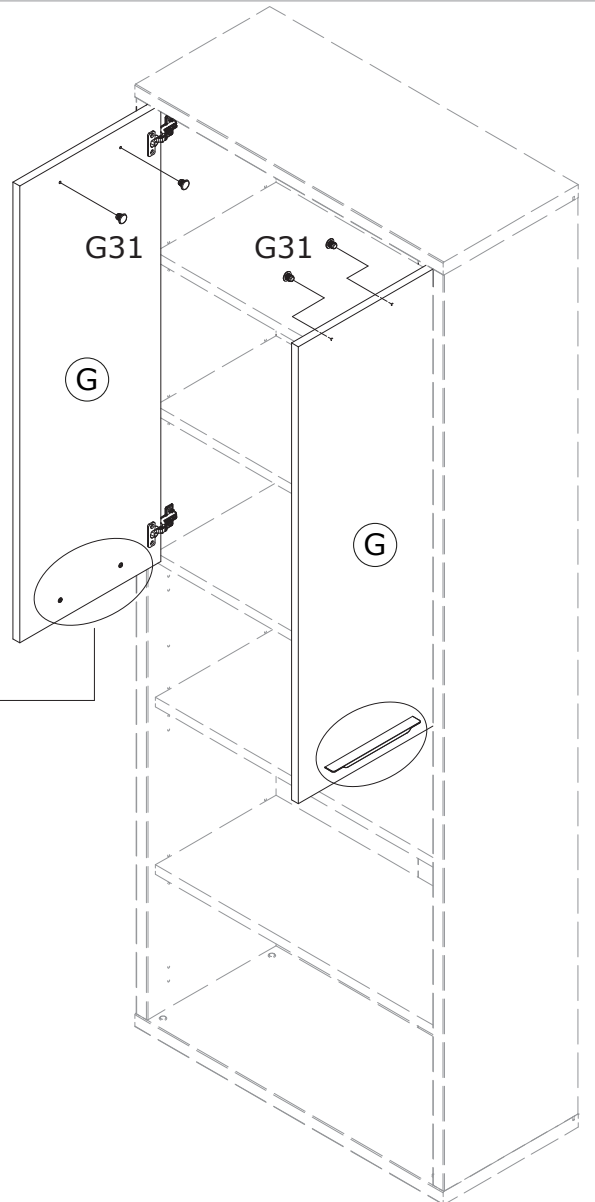
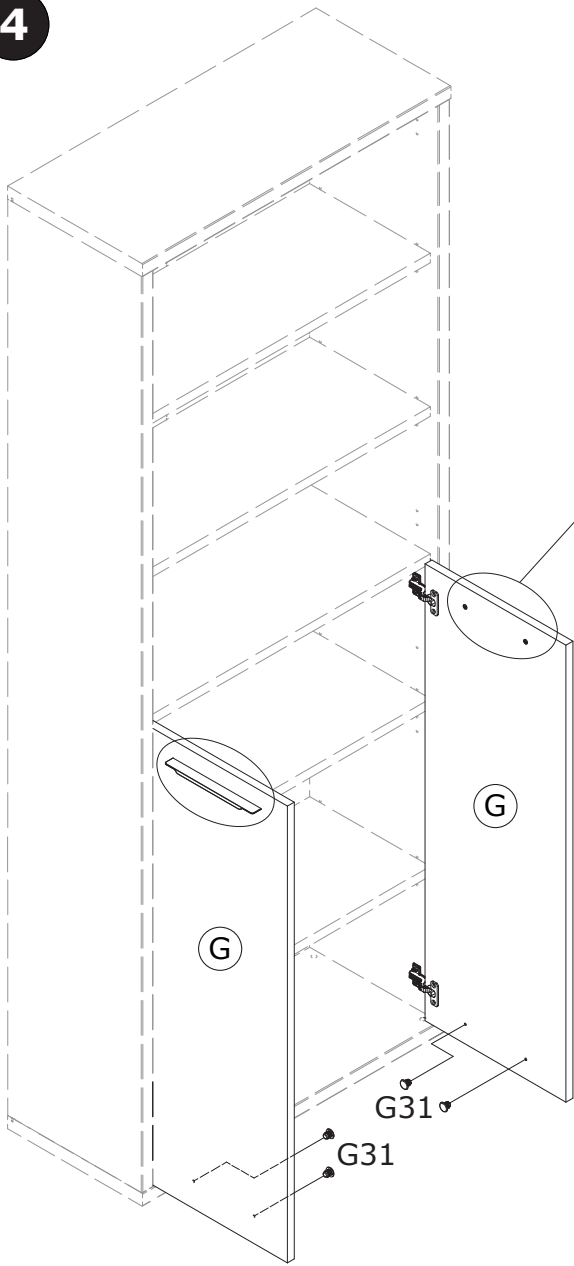
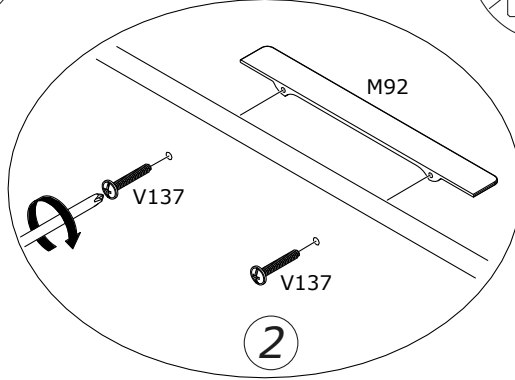
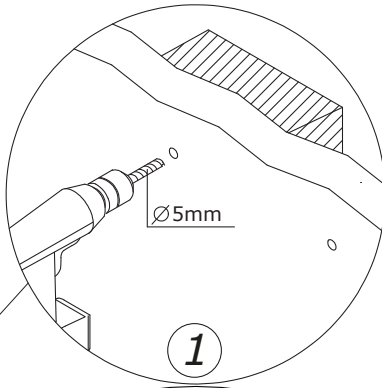
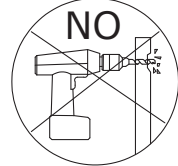
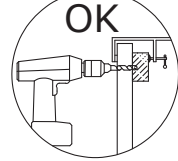
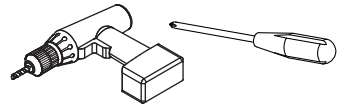
3

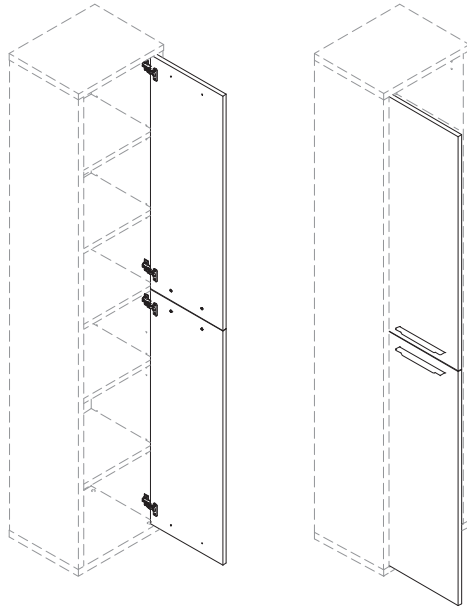


A



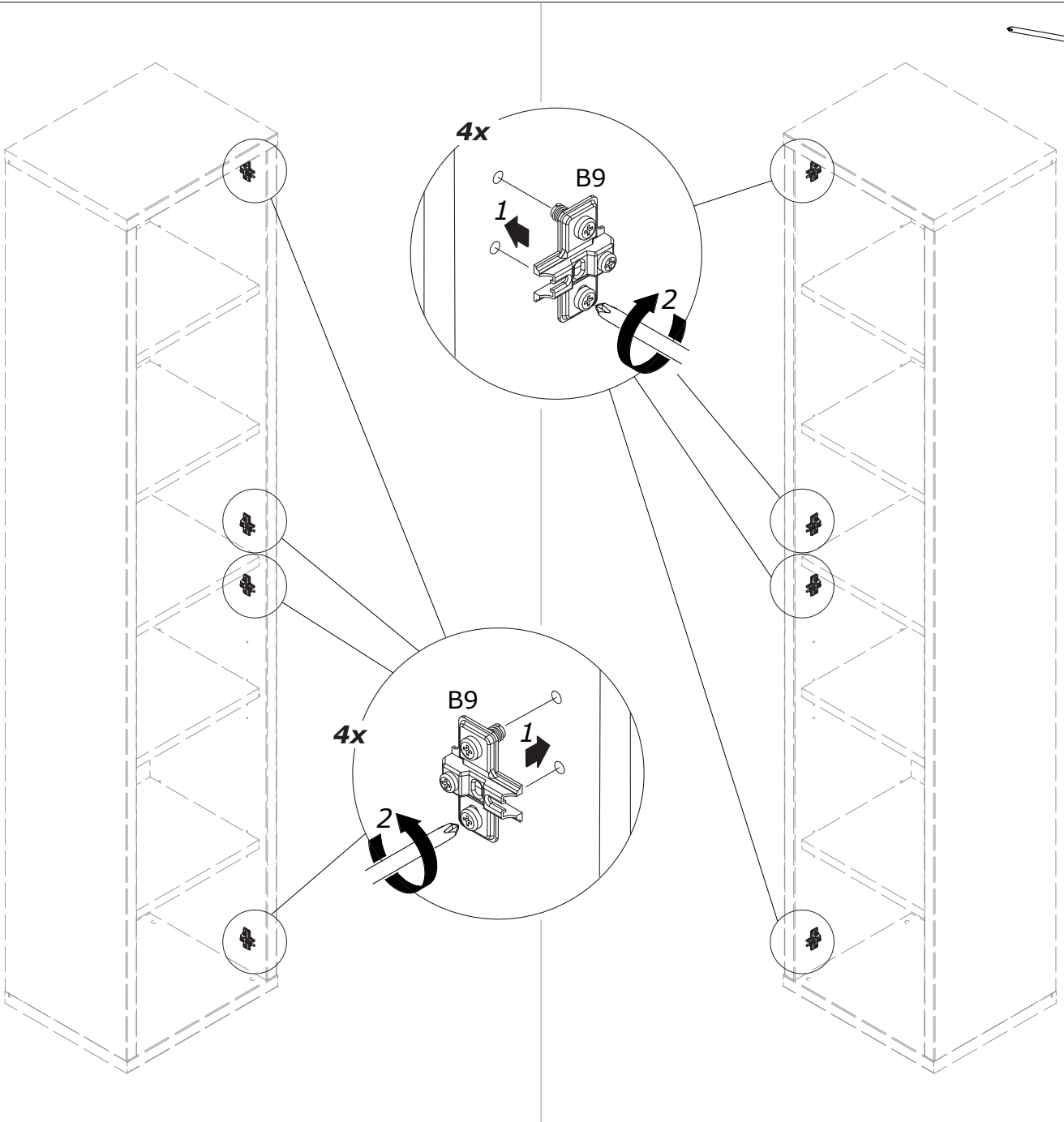
4





**B**

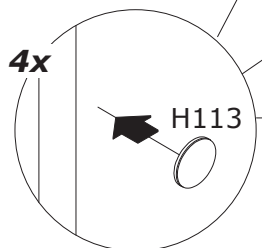
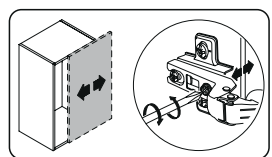
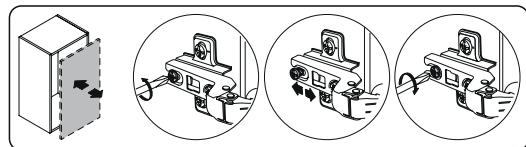
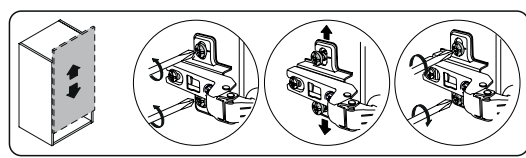
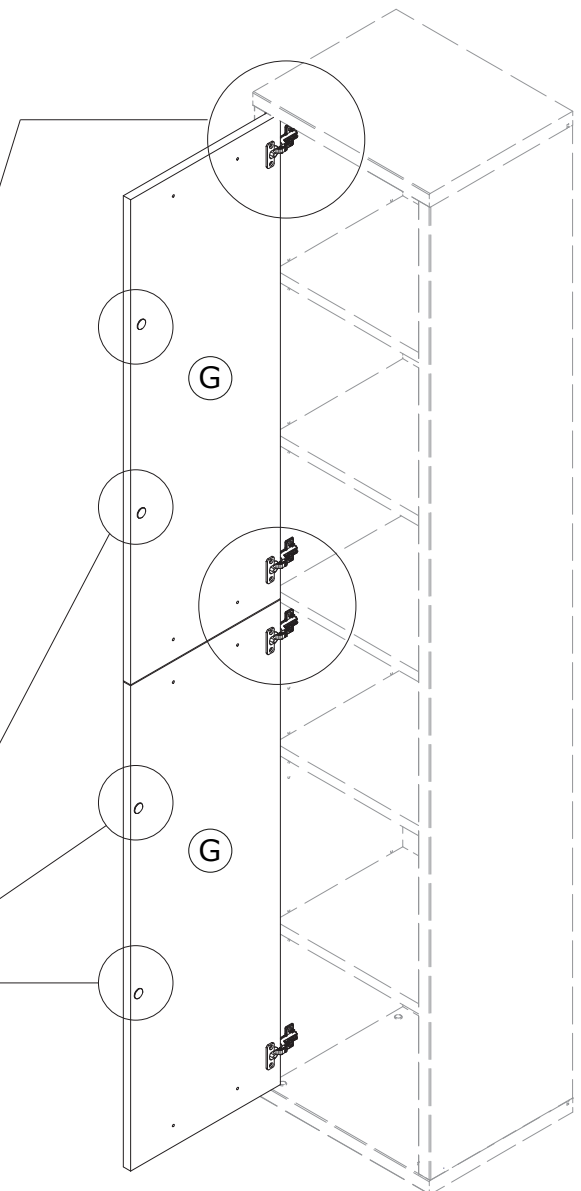
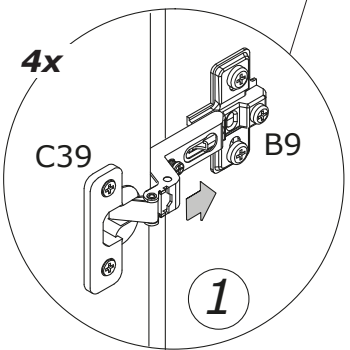
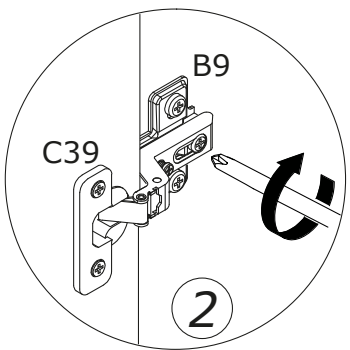
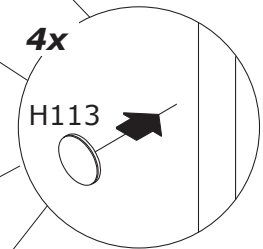
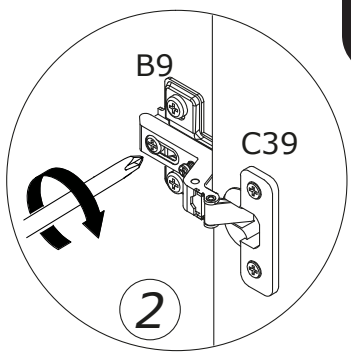
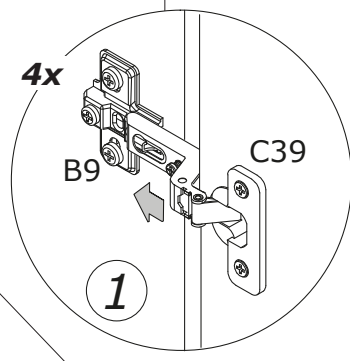
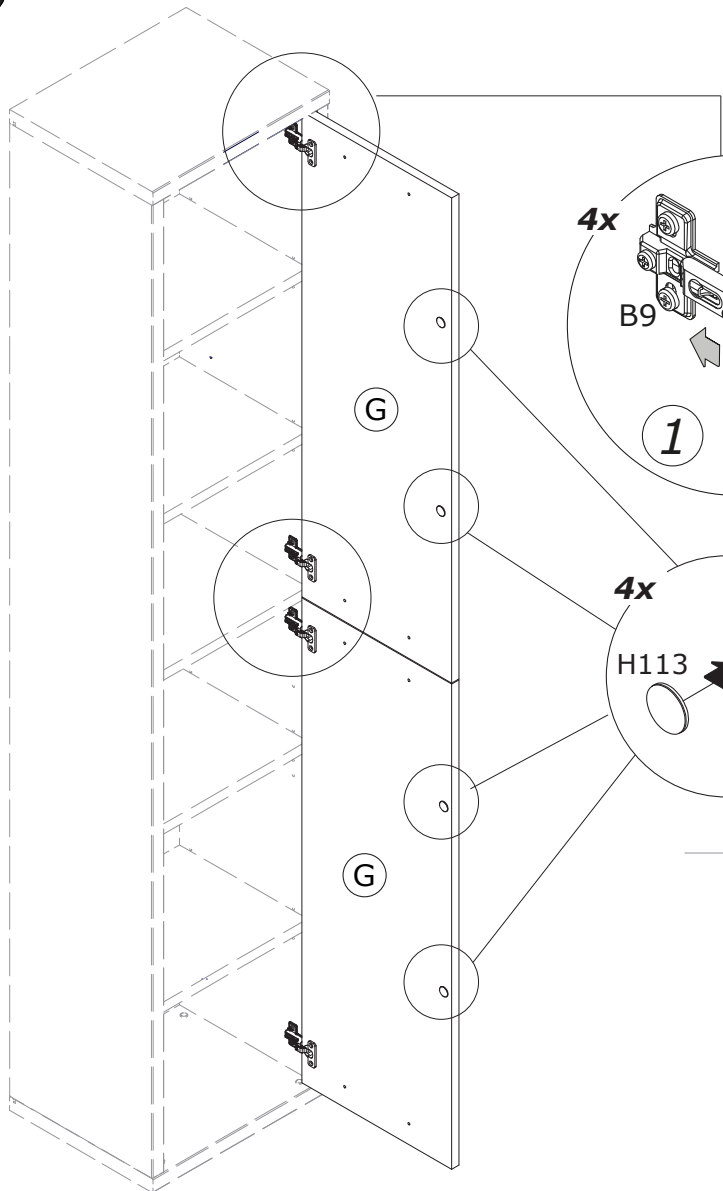
**2**



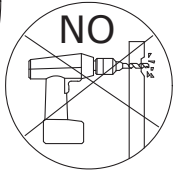
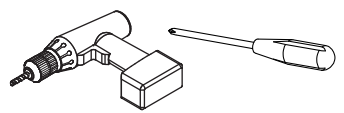
3



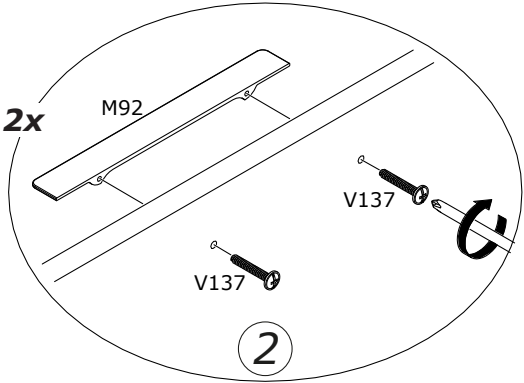
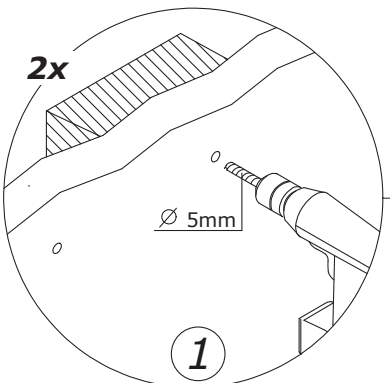
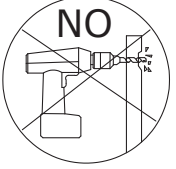
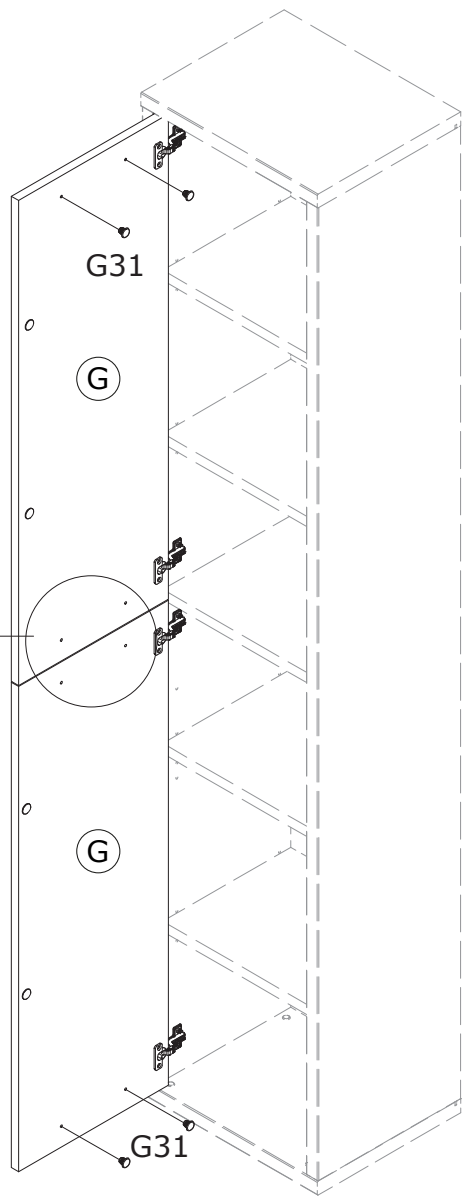
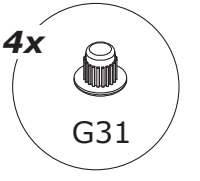
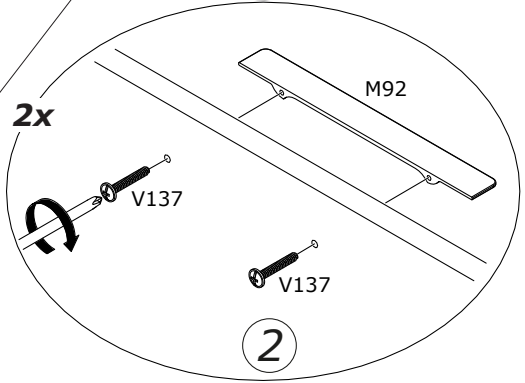
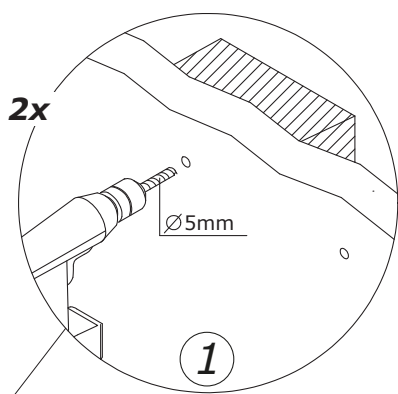
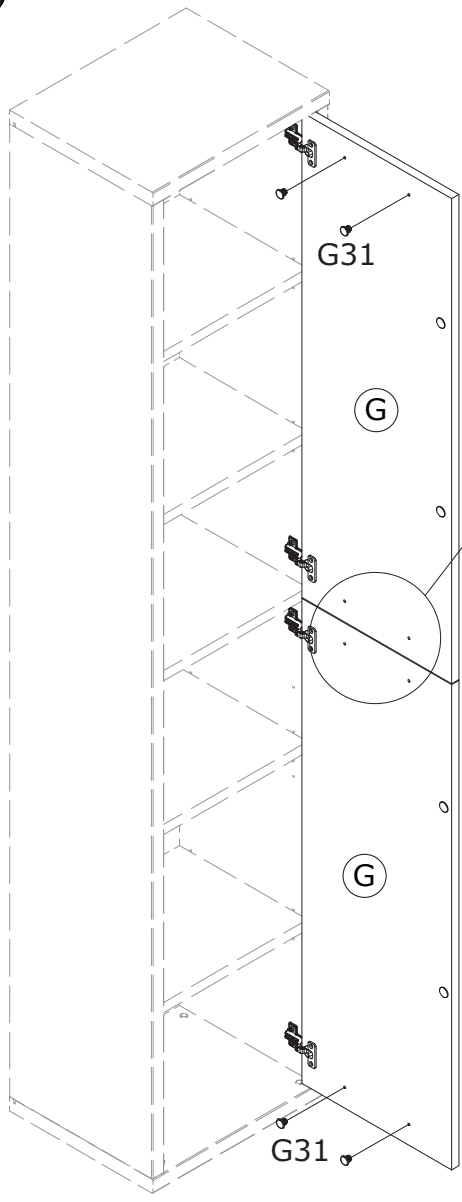
**B**

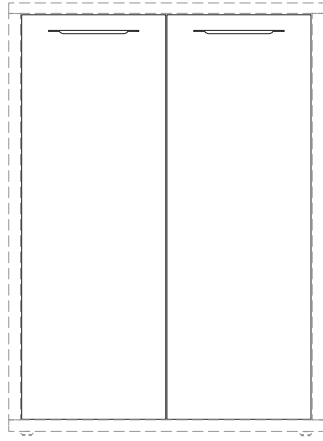


4



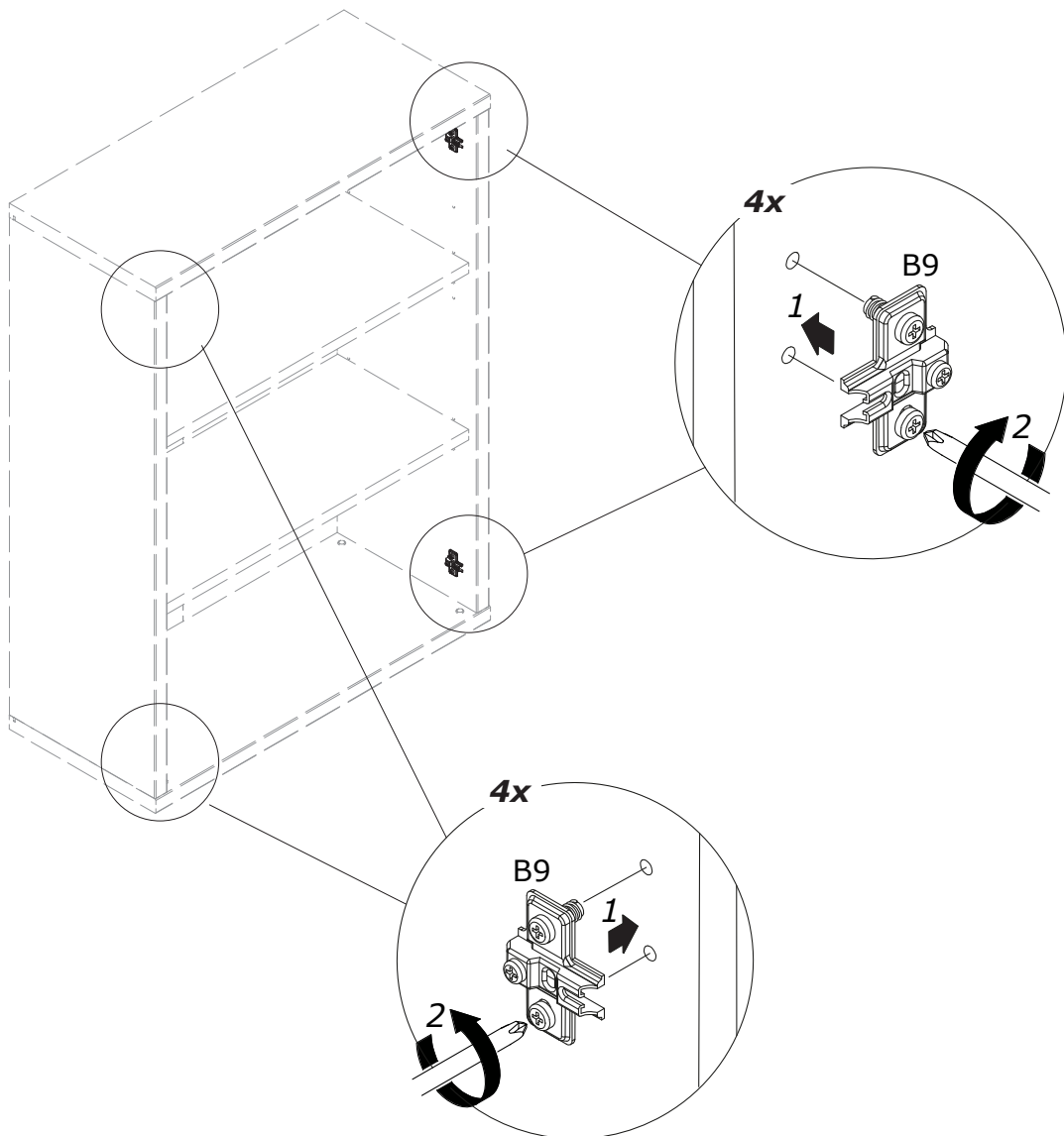
**B**





**C**

**2**



3

