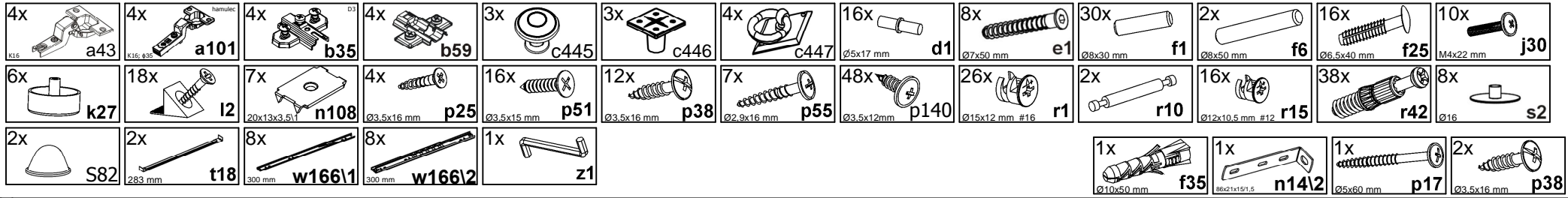
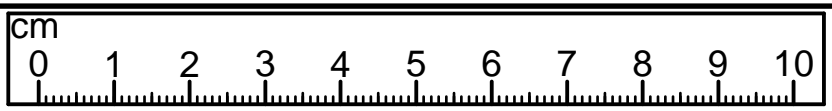
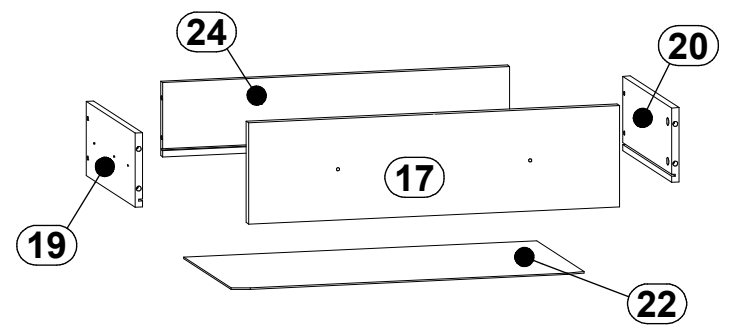
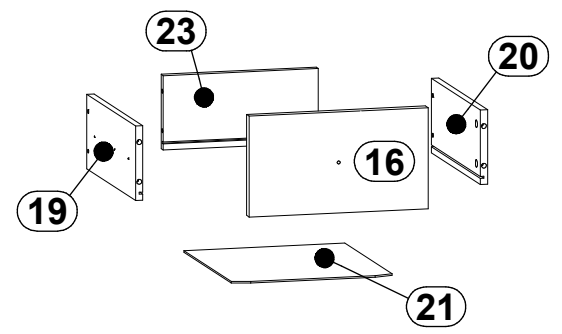
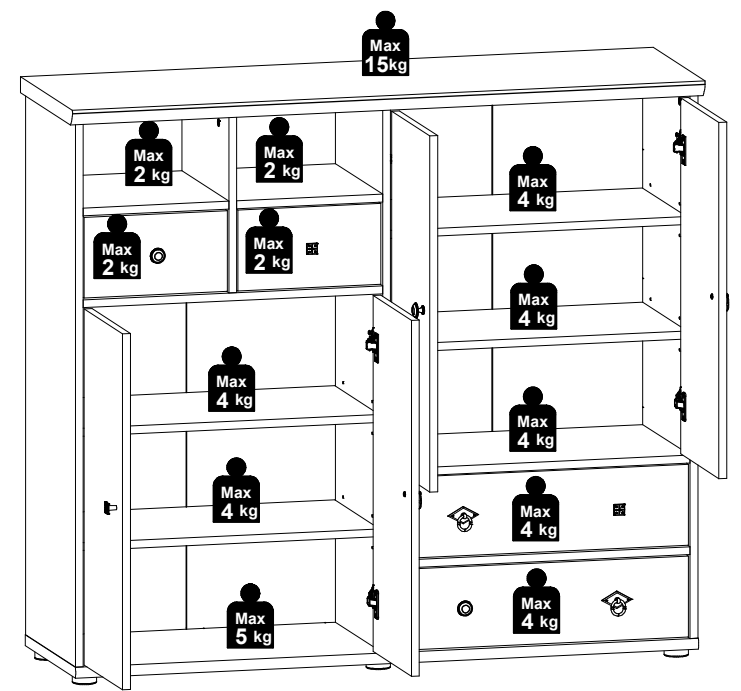
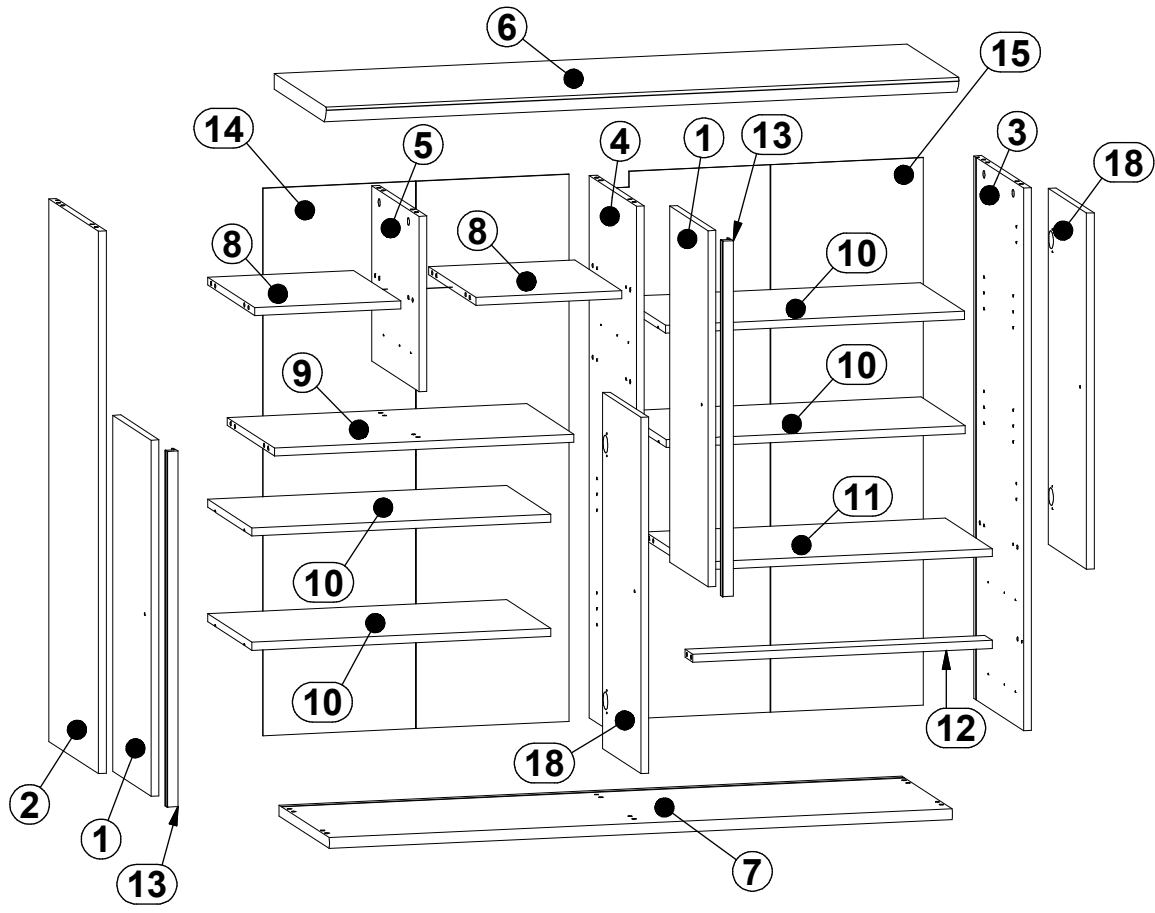
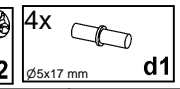
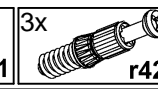
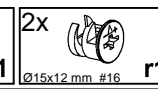
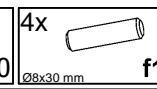
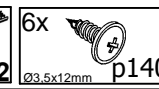
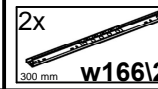
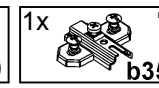
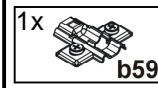
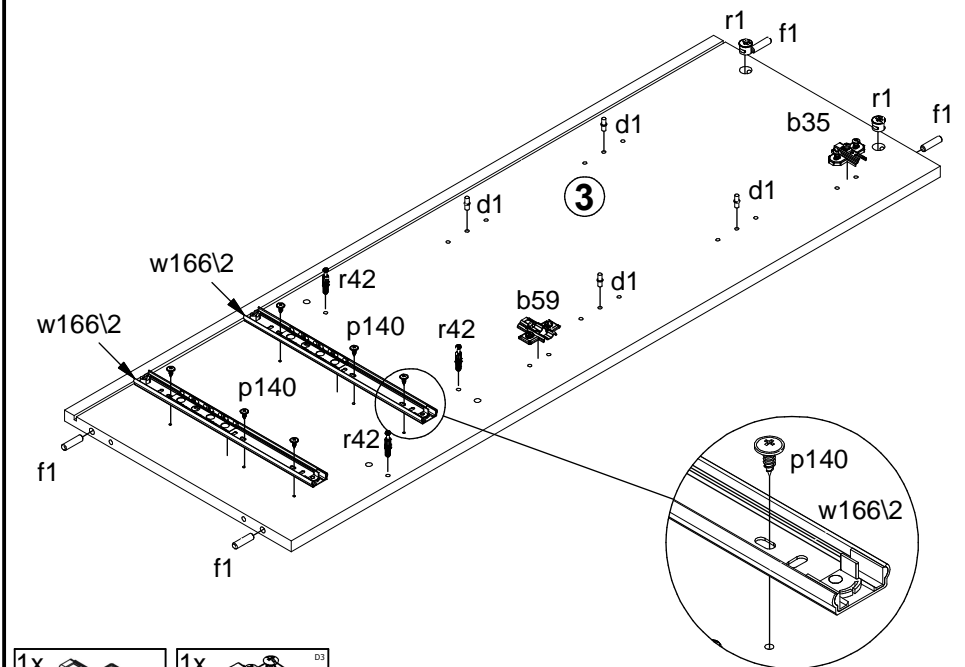
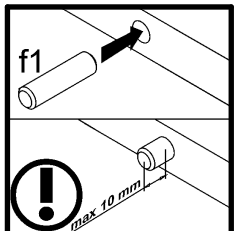
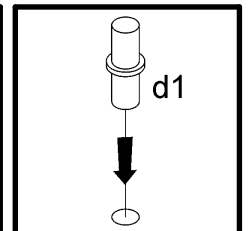
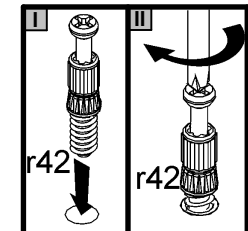
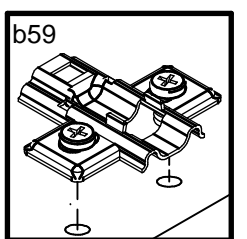
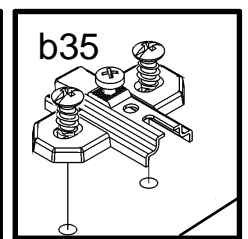
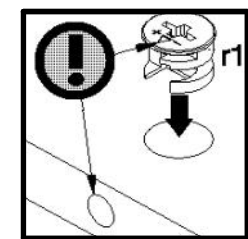
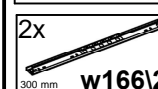
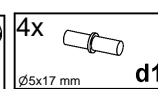
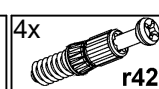
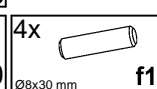
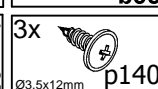
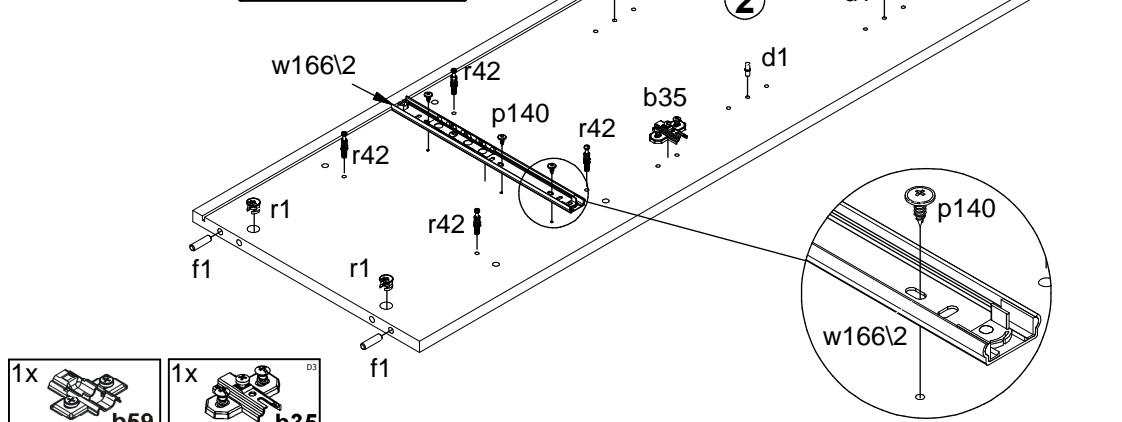
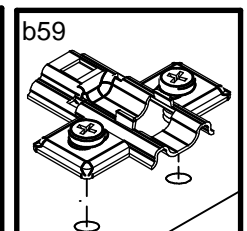
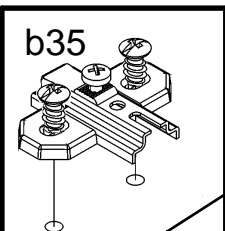
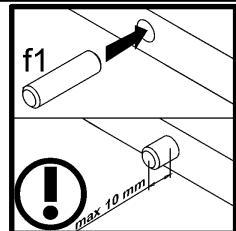
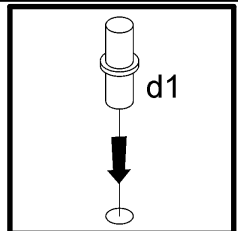
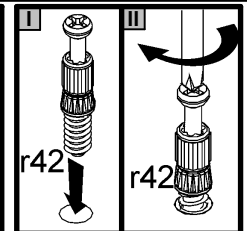
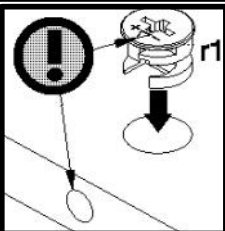
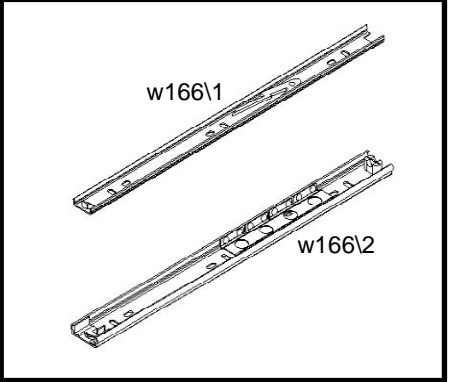
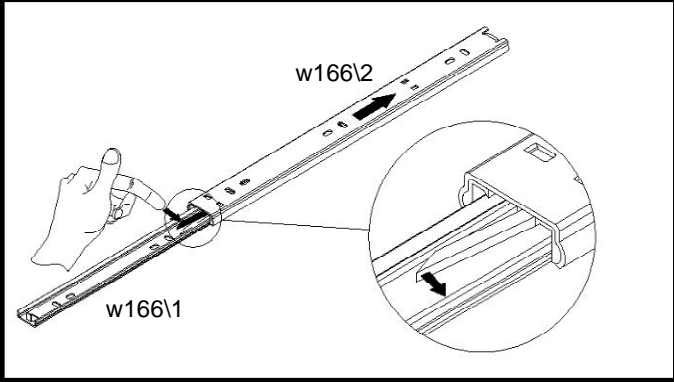


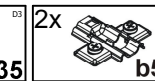
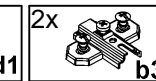
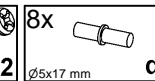
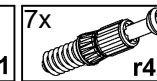
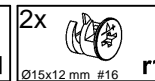
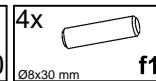
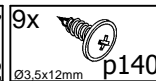
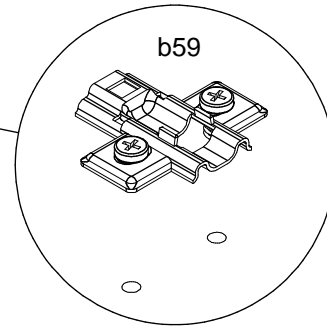
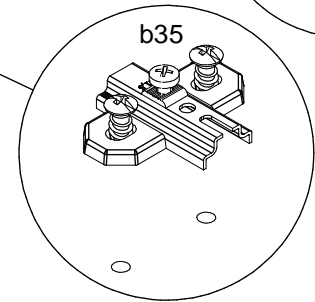
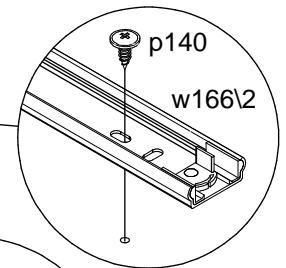
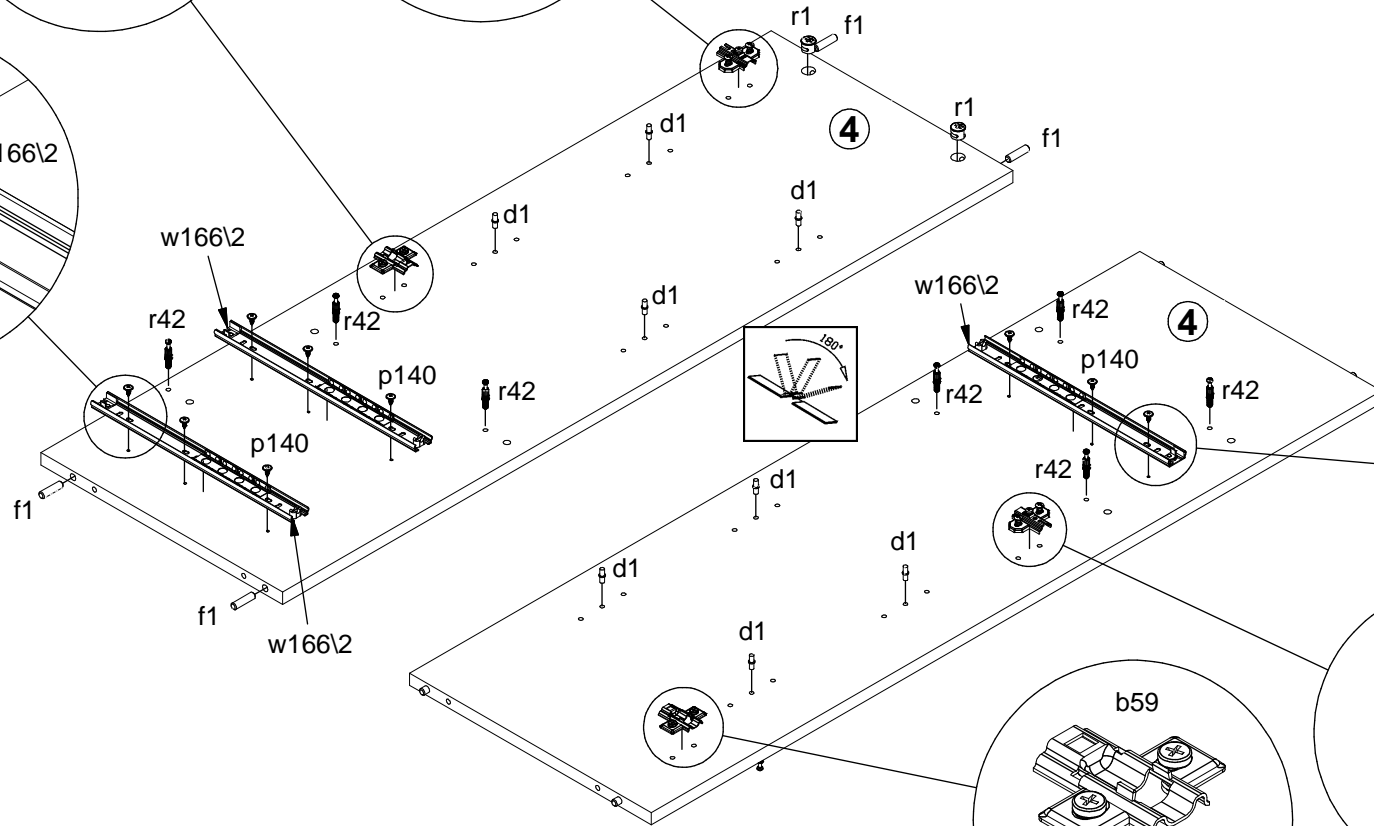
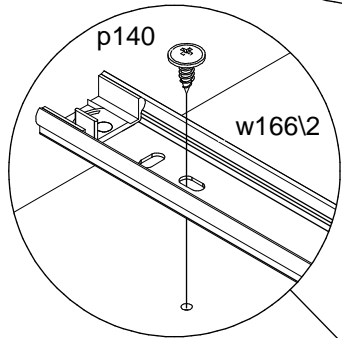
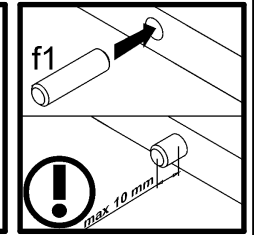
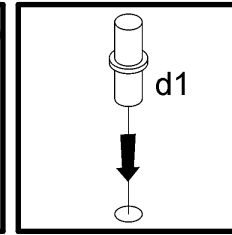
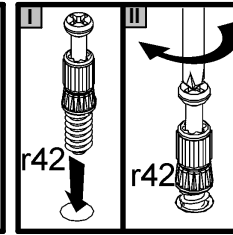
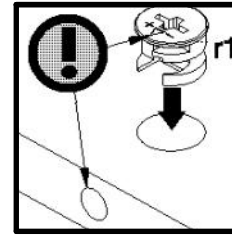
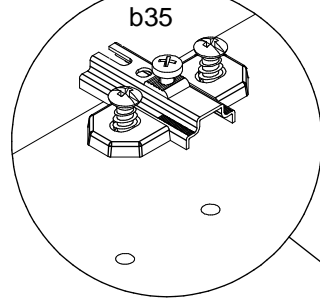
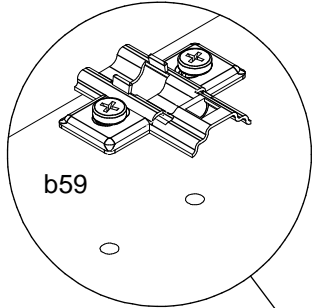
A	B	C (mm)		D
1	M196-0004	718	294	1/3
2	M196-1014	1094	382	2/3
3	M196-1015	1094	382	2/3
4	M196-1016	1094	362	2/3
5	M196-1017	354	362	3/3
6	M196-2009	1301	400	1/3
7	M196-2010	1281	387	3/3
8	M196-3005	300	362	3/3
9	M196-3010	616	362	3/3
10	M196-3011	615	340	3/3
11	M196-3012	616	362	3/3
12	M196-4001	616	60	3/3
13	M196-5510	717	33	3/3
14	M196-9302	1104	629	2/3
15	M196-9303	1104	629	2/3
16	S248-0009	163	294	2/3
17	S248-0012	163	610	2/3
18	S248-0014	718	294	1/3
19	WSK3-503	300	120	1/3
20	WSK3-504	300	120	1/3
21	WSP-9090	265	298	1/3
22	WSP-9091	581	298	1/3
23	WTR-5026	255	120	1/3
24	WTR-5027	571	120	1/3

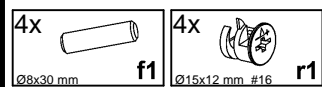
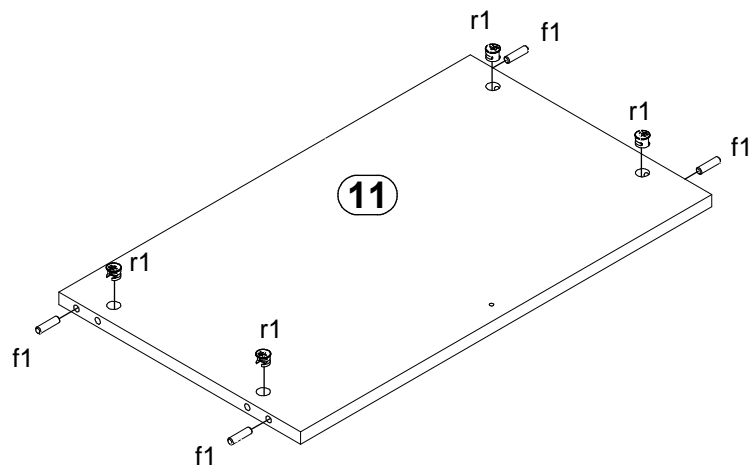
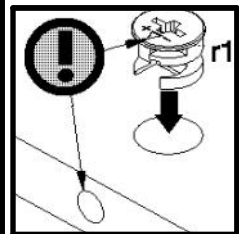
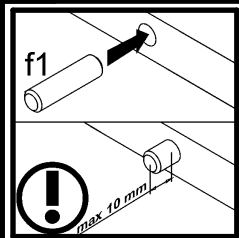




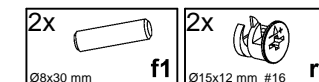
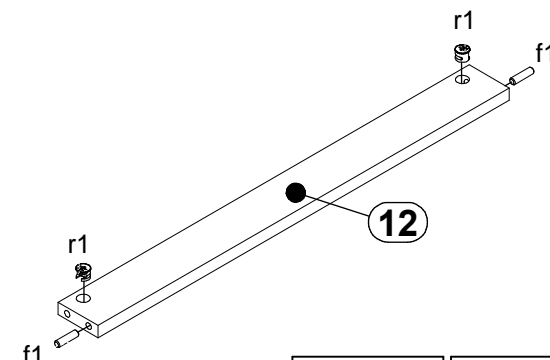
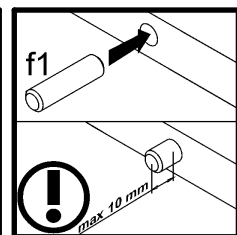
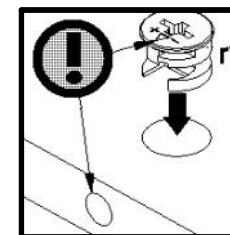
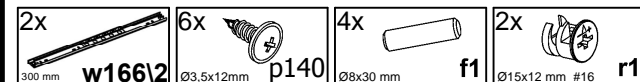
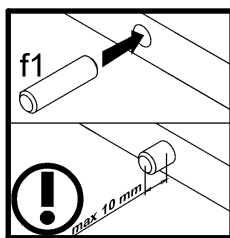
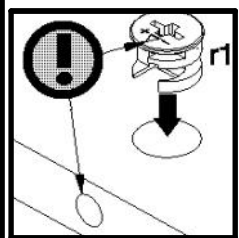
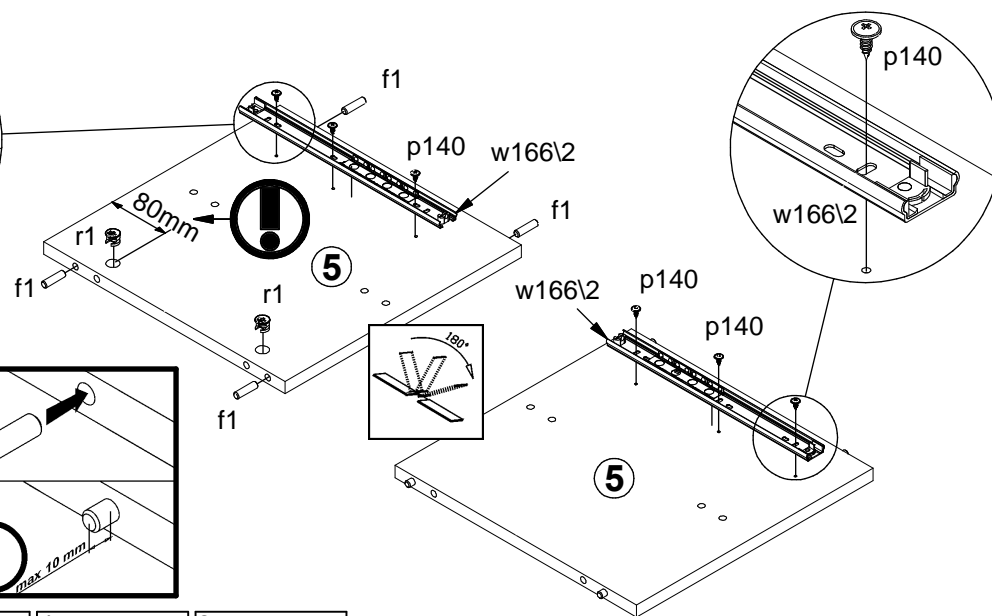
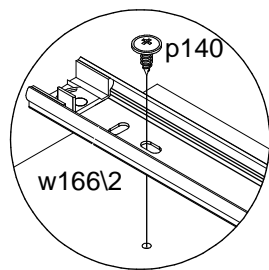
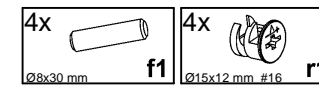
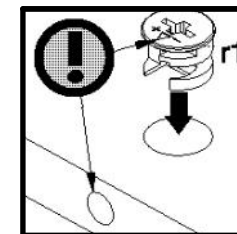
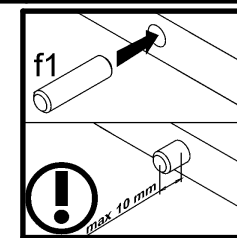
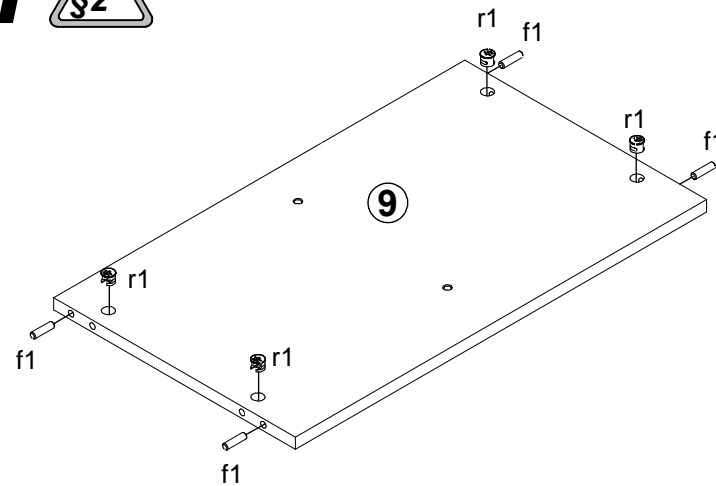


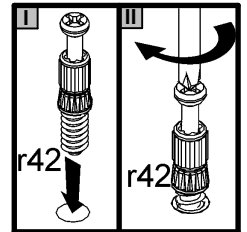
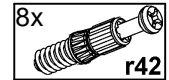
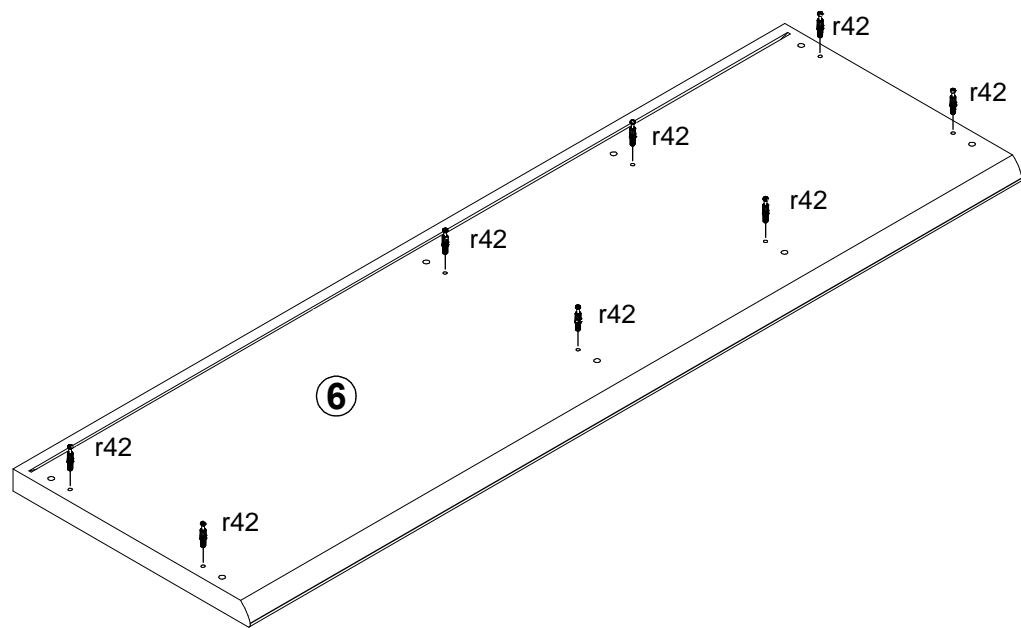
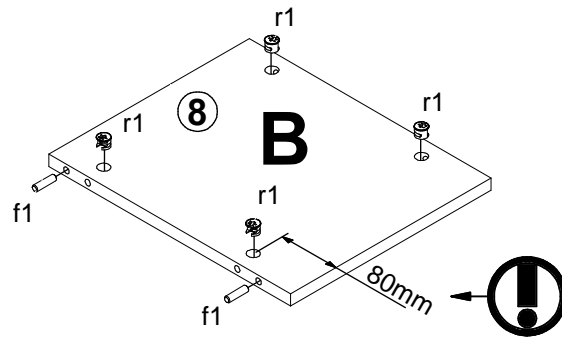
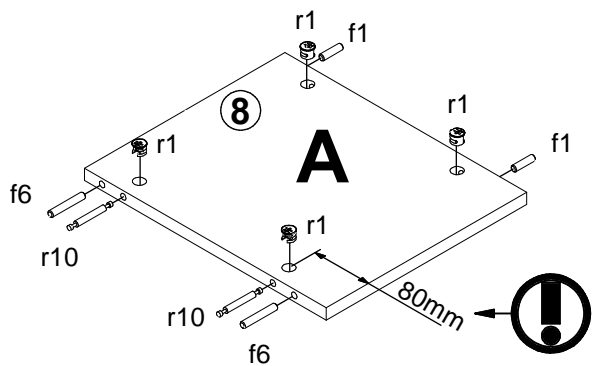
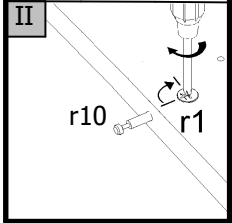
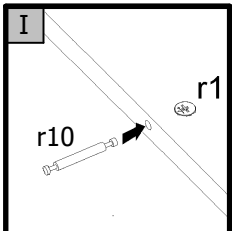
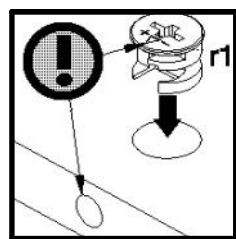
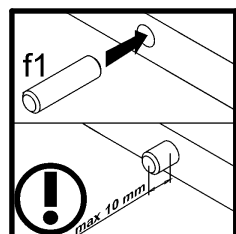
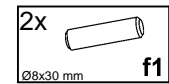
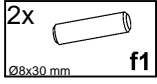
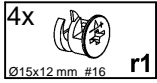
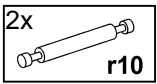
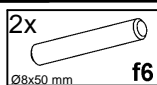
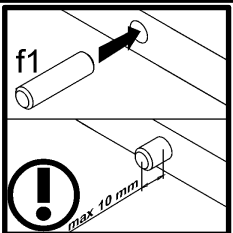
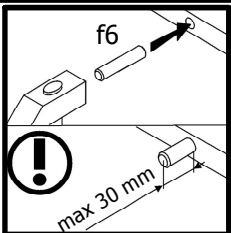
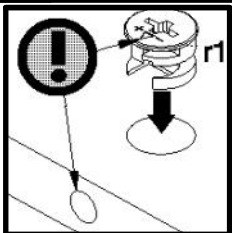
1 §2



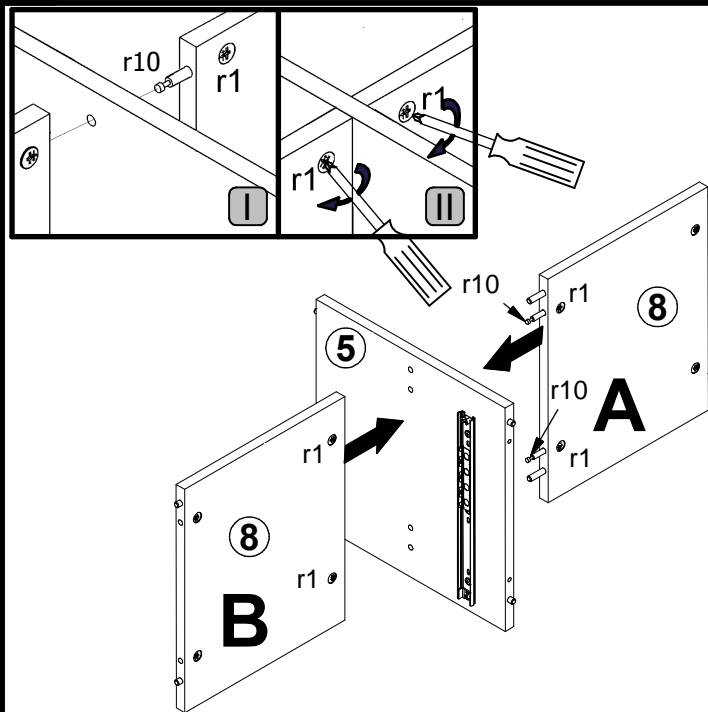


1

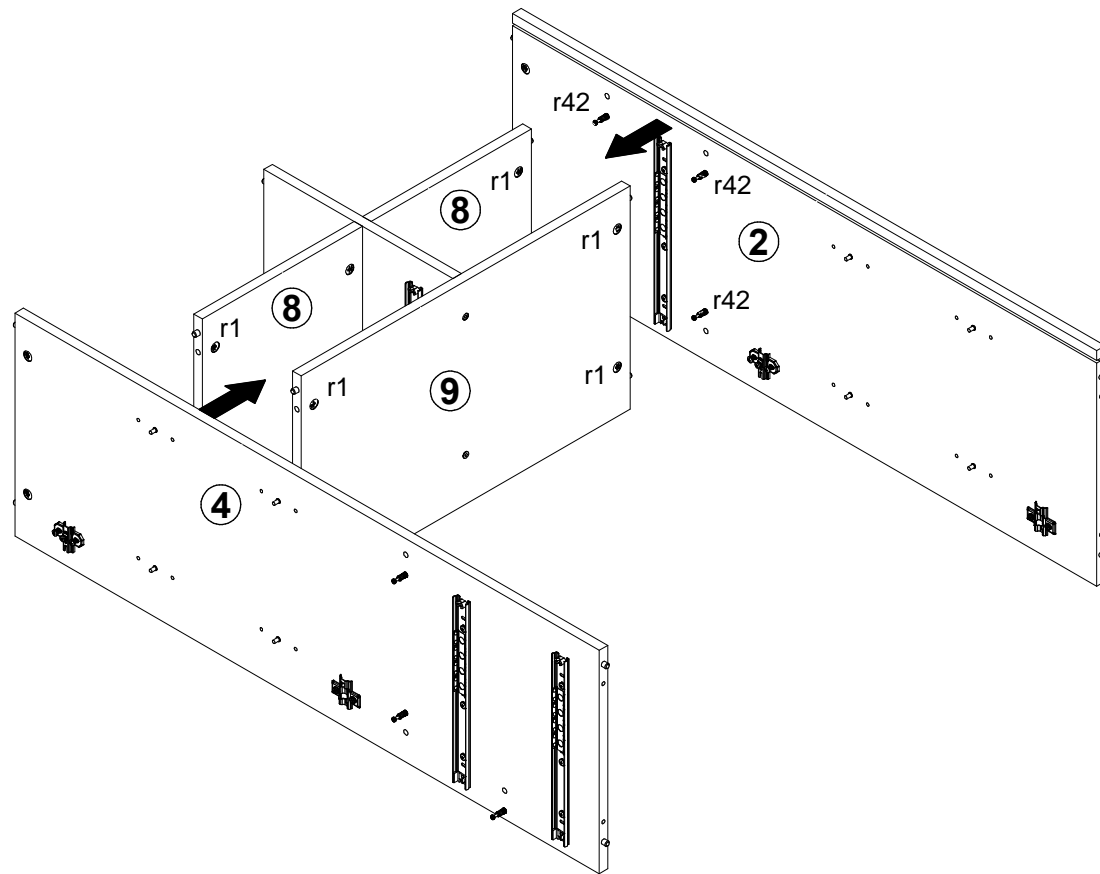




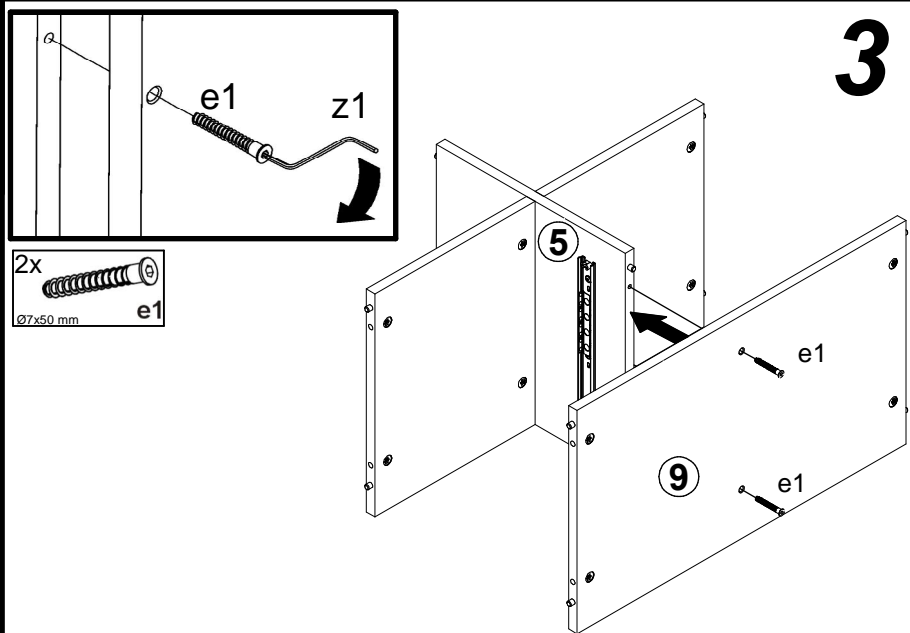
2 



4

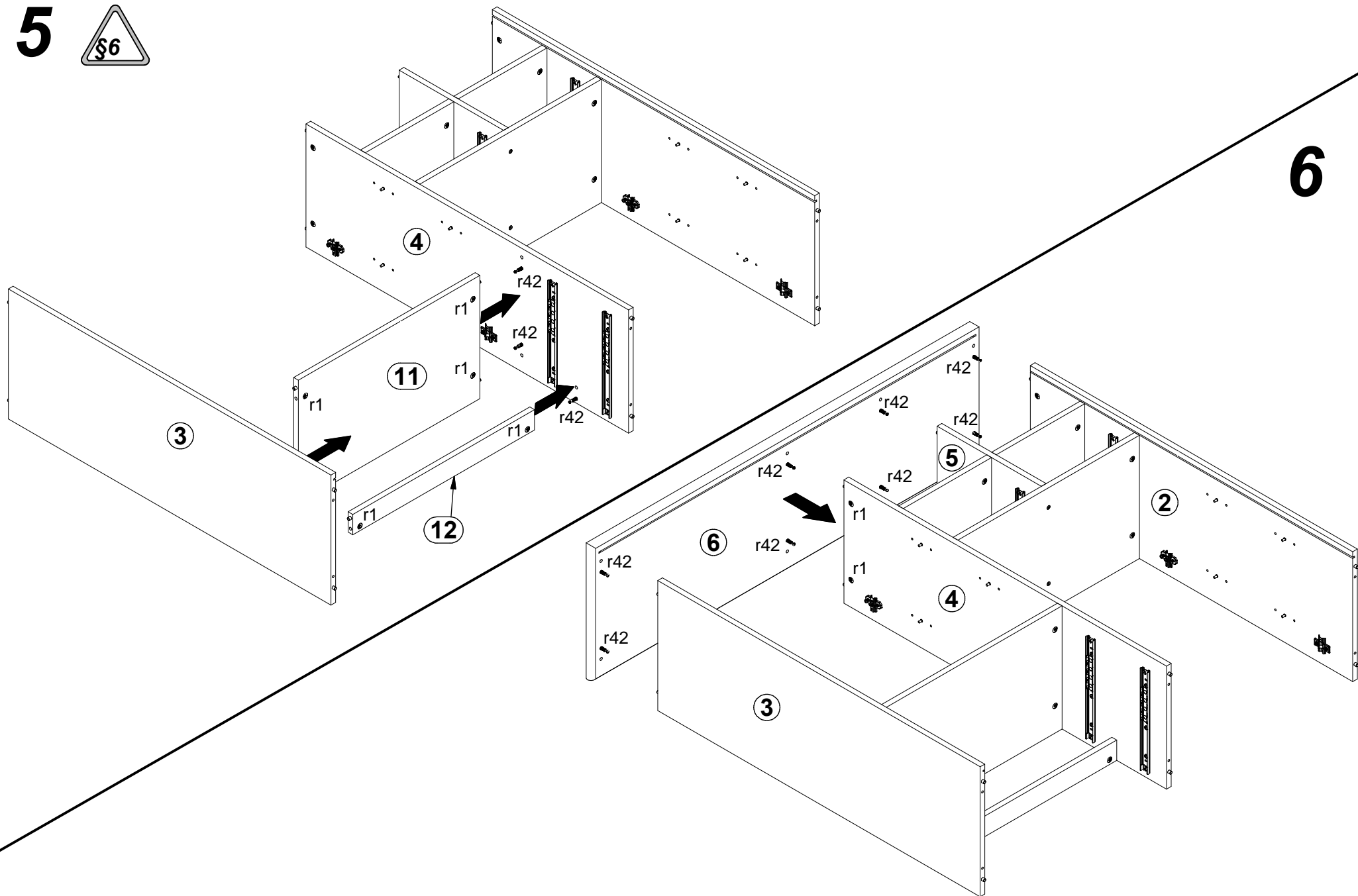


3



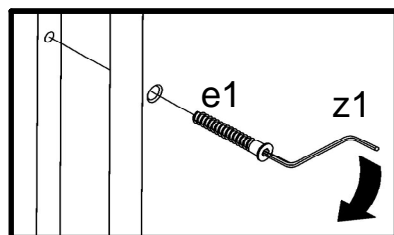
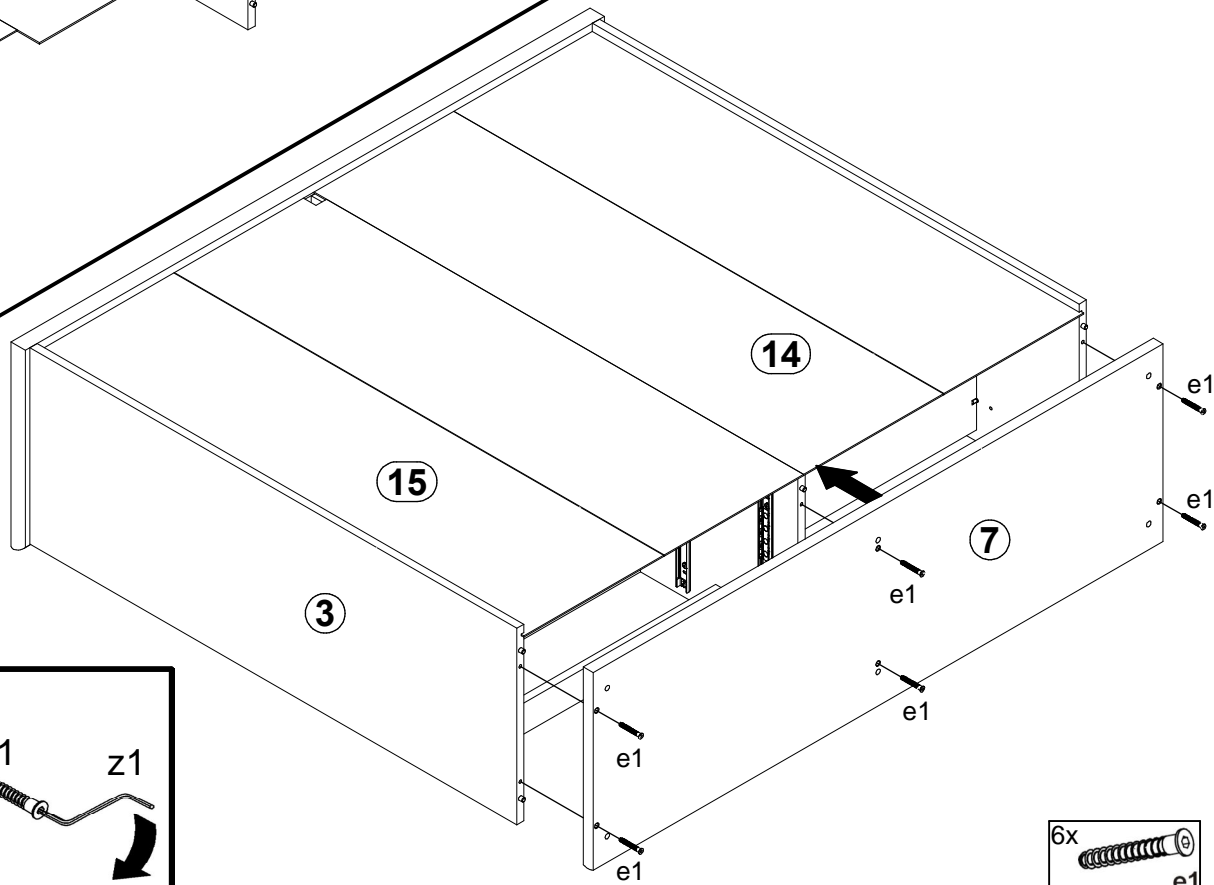
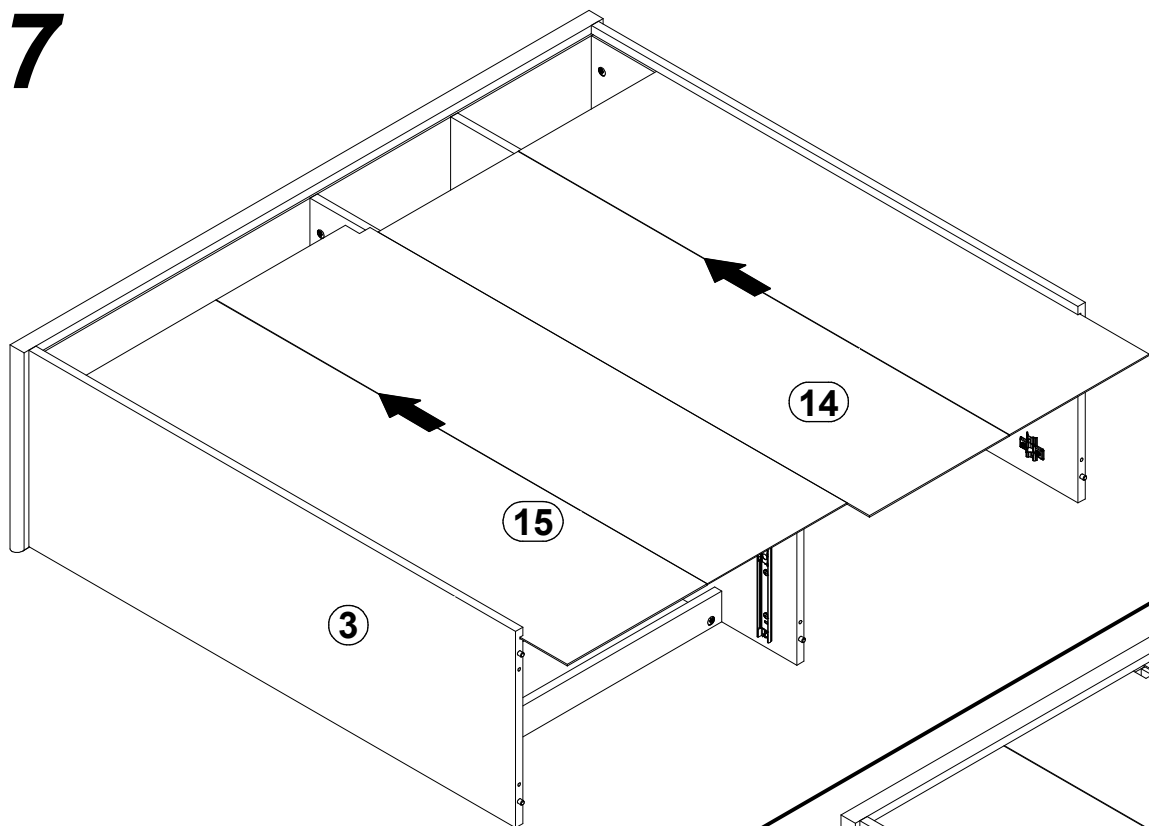


5



7

8

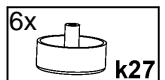
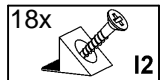
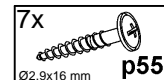
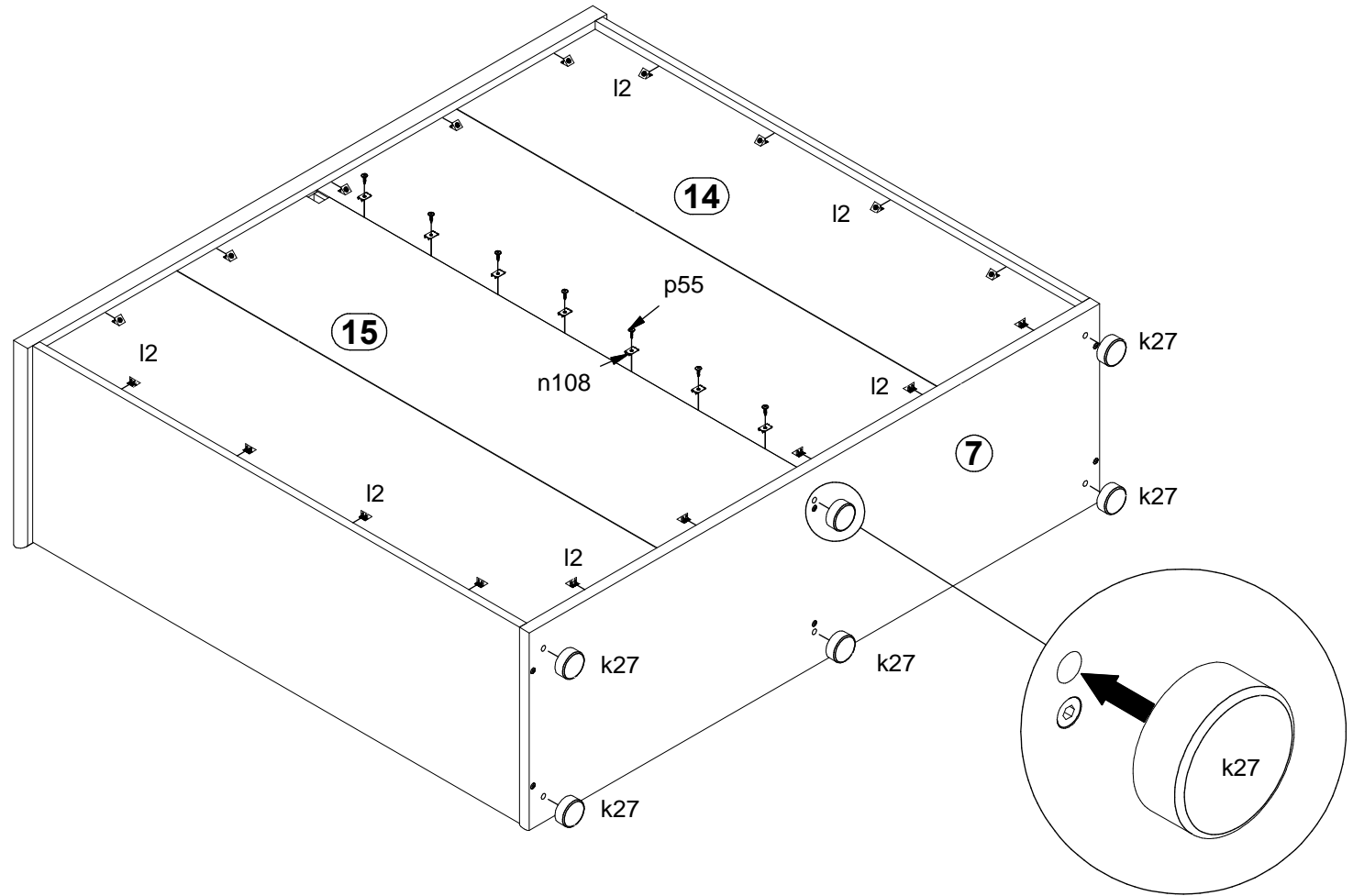
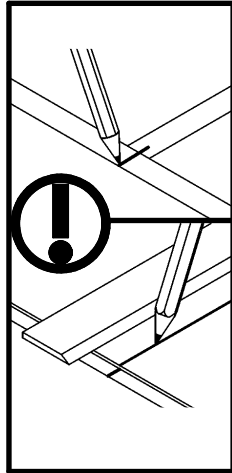
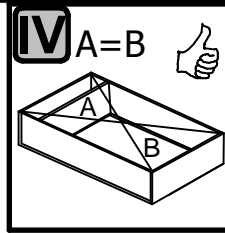
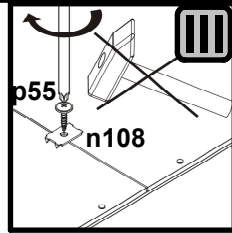
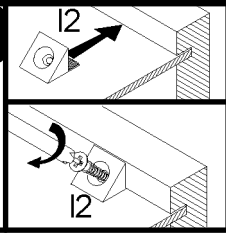
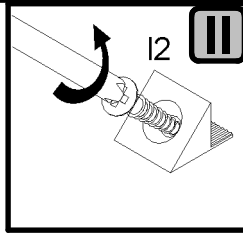
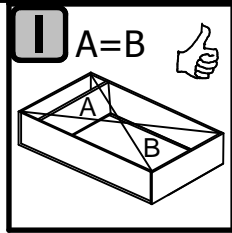


A

M196-KOM4D4S/12/13

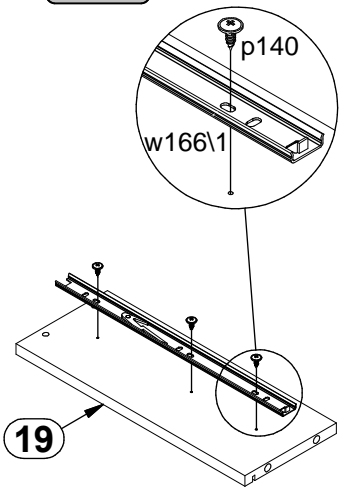
3064--12

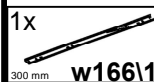

9



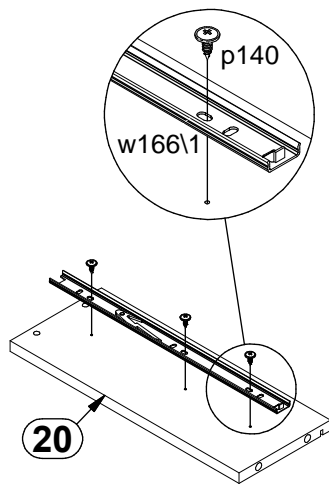
10 

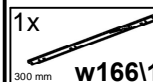

I



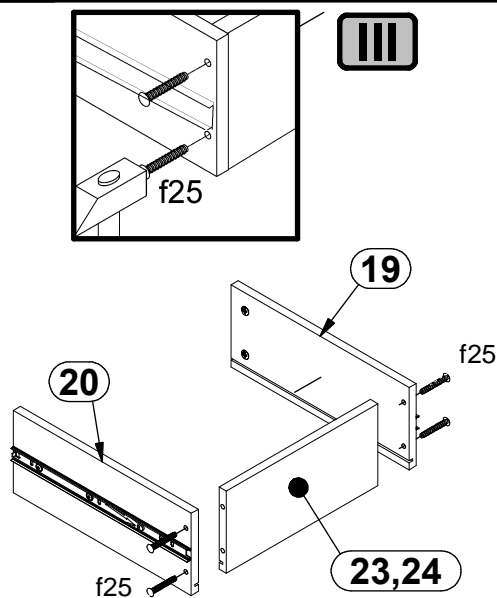
1x  300 mm w1661  
 3x  Ø3,5x12mm p140

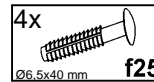
II



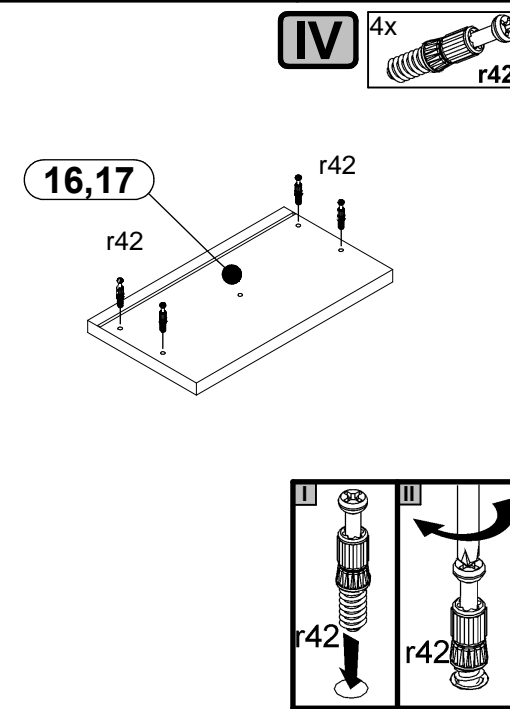
1x  300 mm w1661  
 3x  Ø3,5x12mm p140

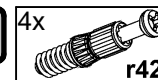
III

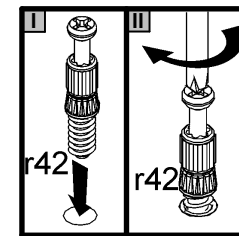


4x  Ø6,5x40 mm f25

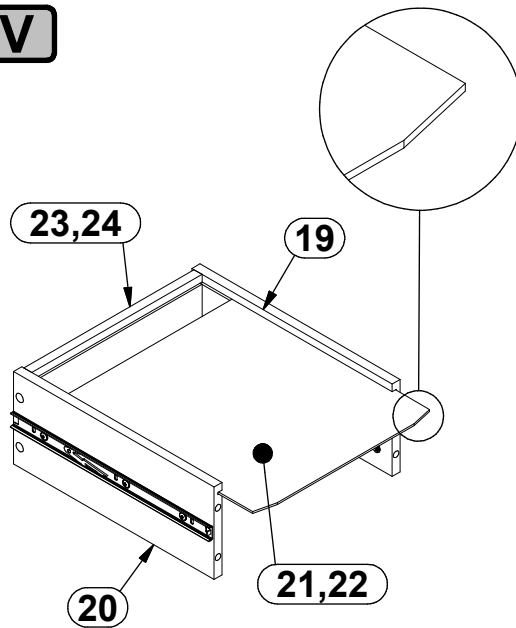
IV



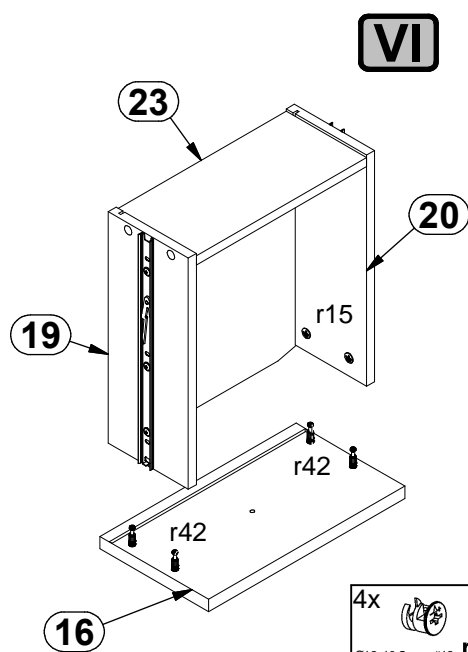
4x  r42



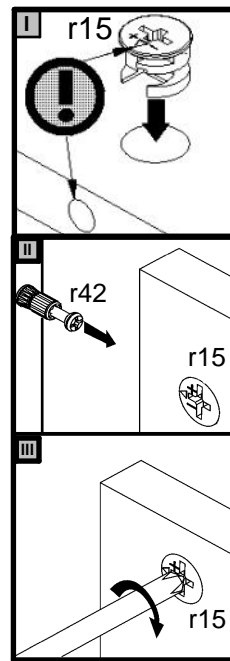
V



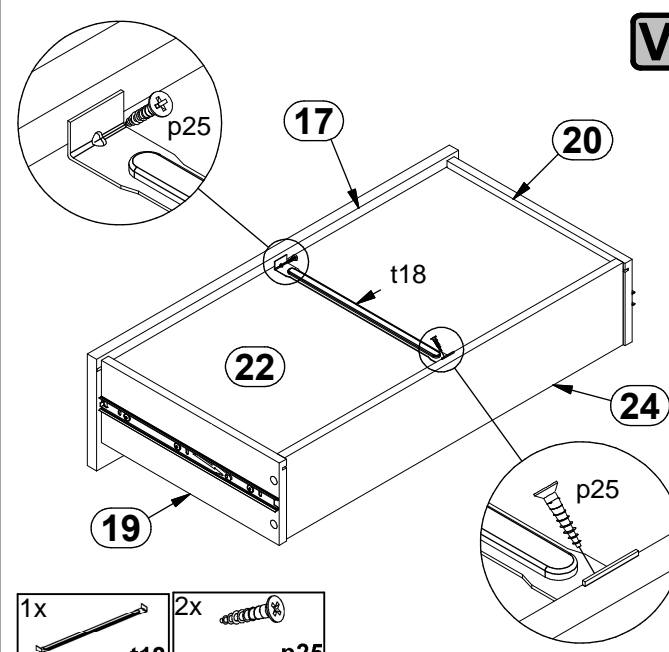
VI

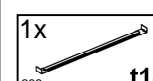
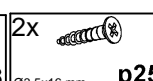


4x  Ø12x10,5 mm #12 r15



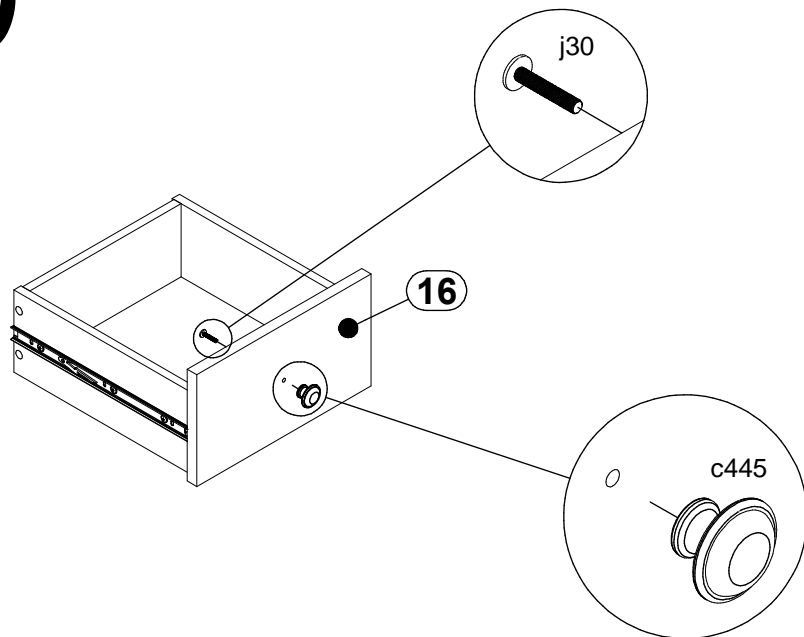
VII



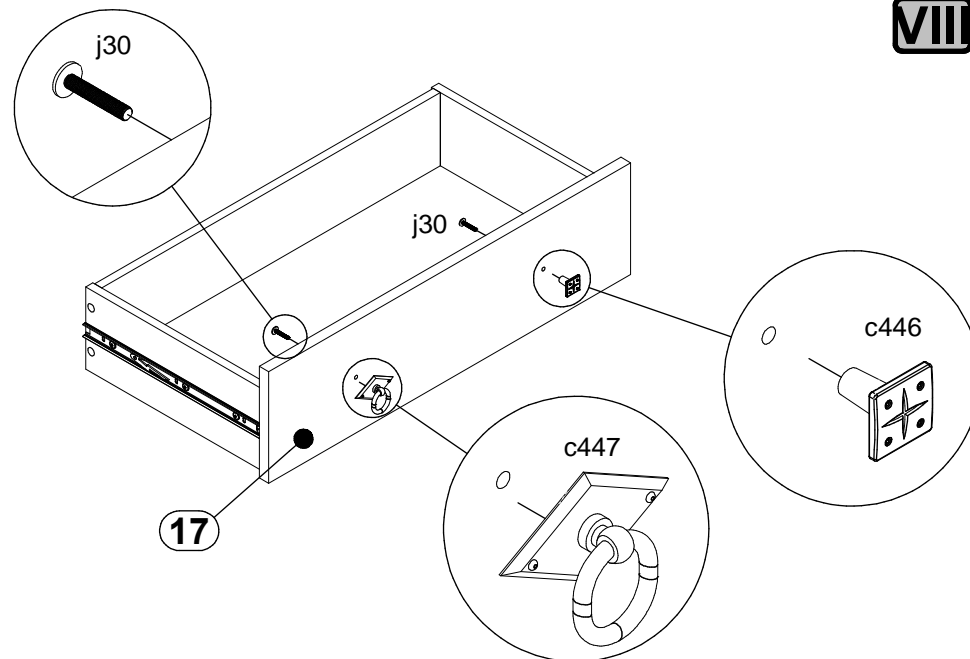
1x  283 mm t18  
 2x  Ø3,5x16 mm p25

10

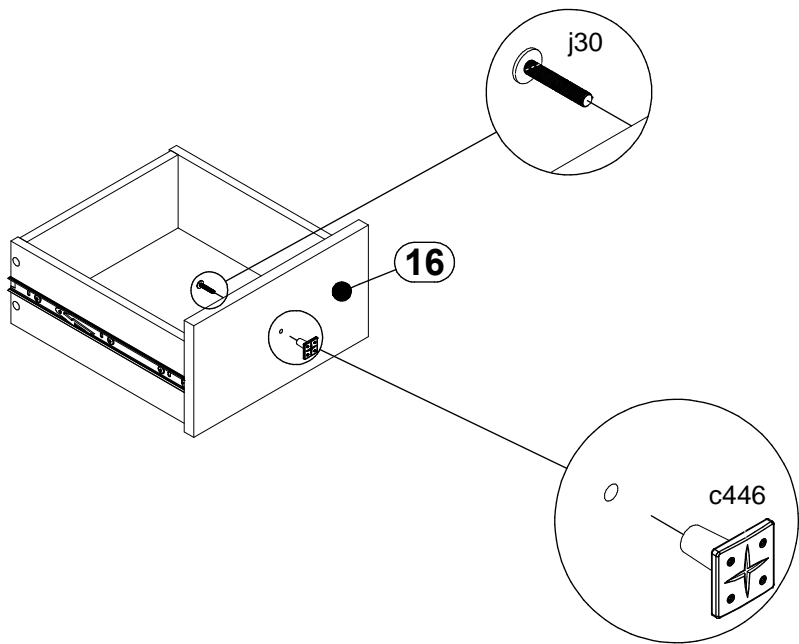
VII



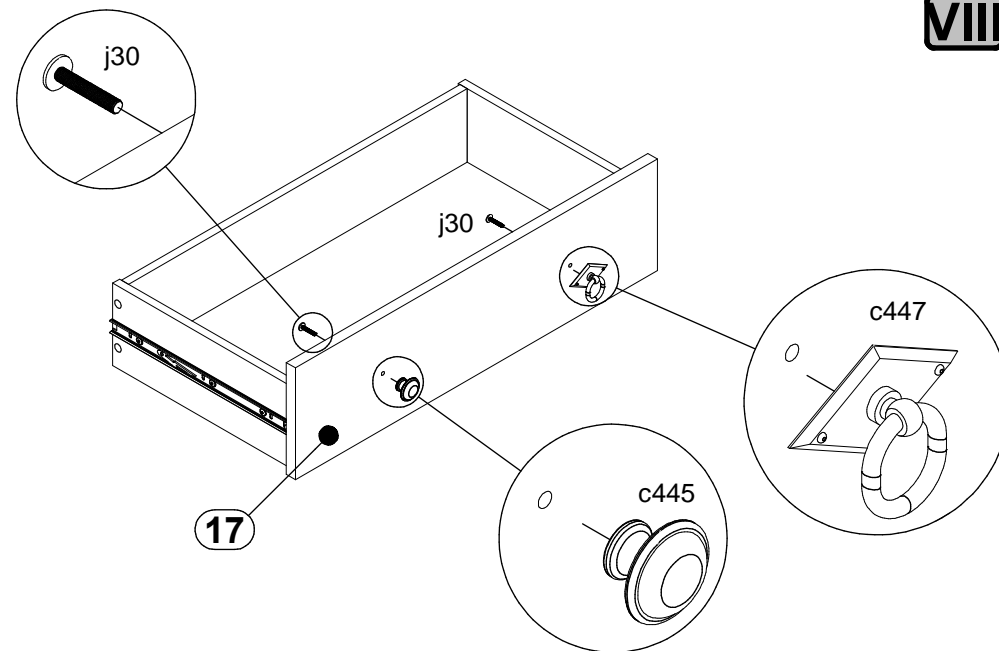
VII



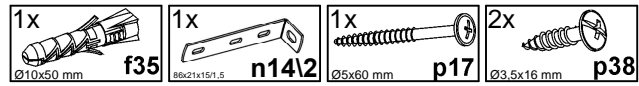
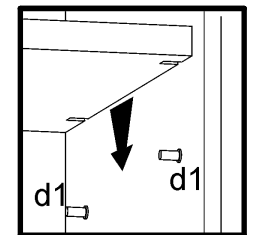
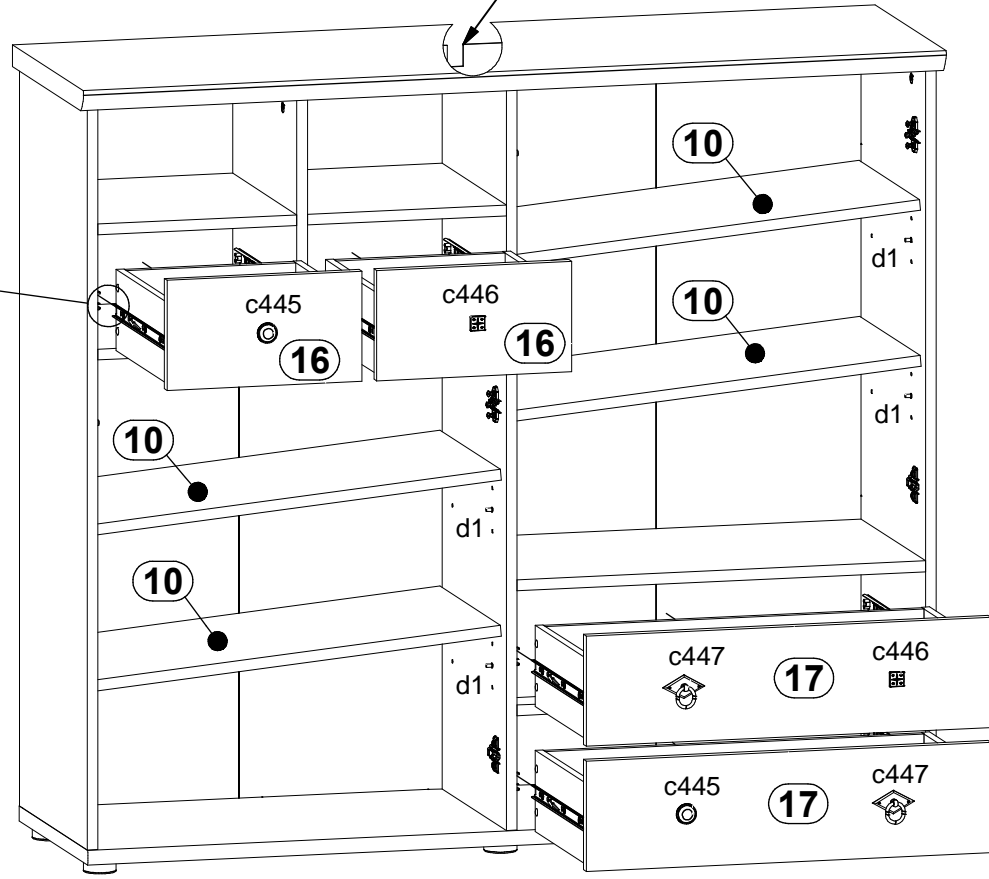
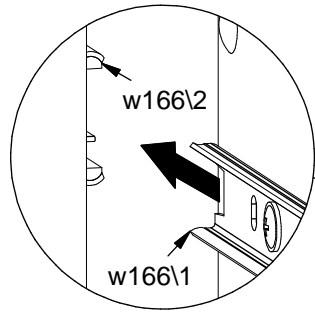
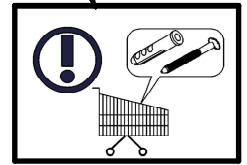
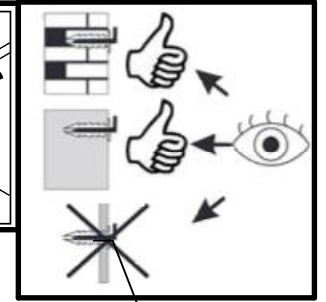
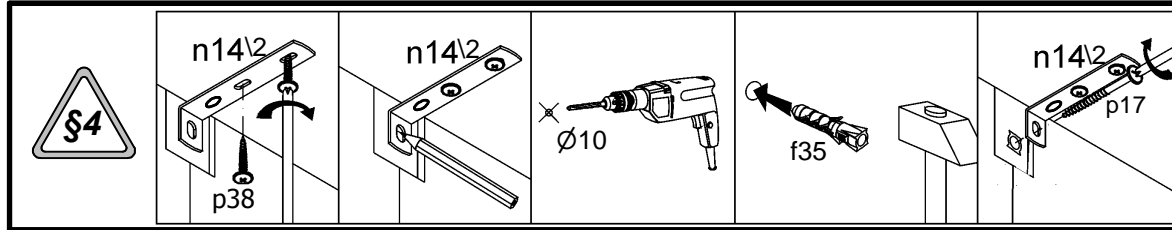
VII



VII

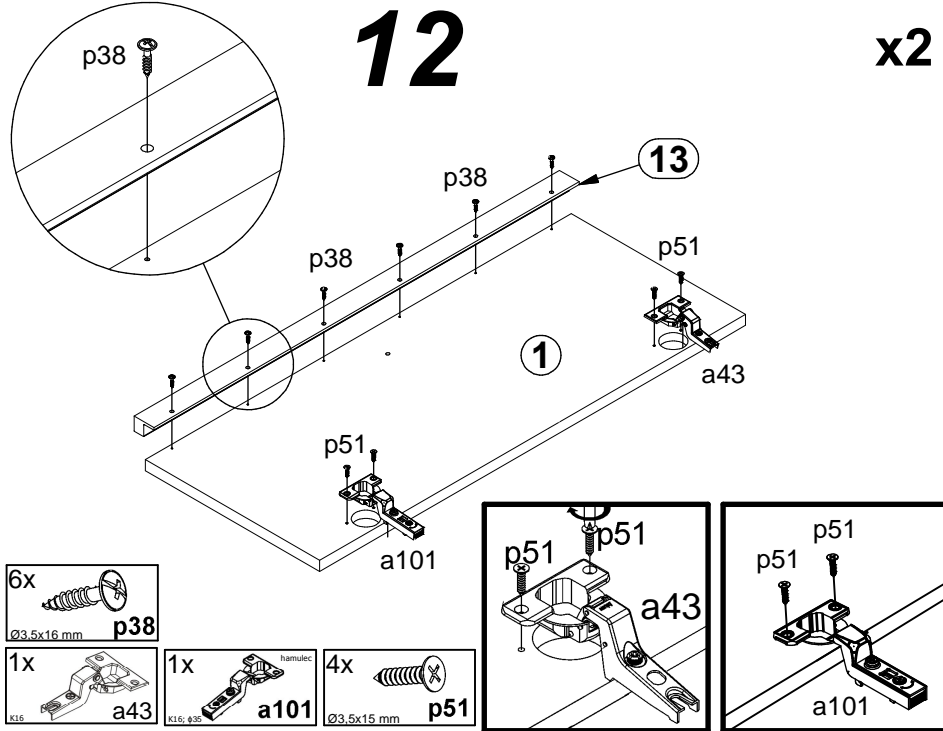


# 11

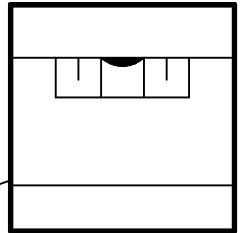
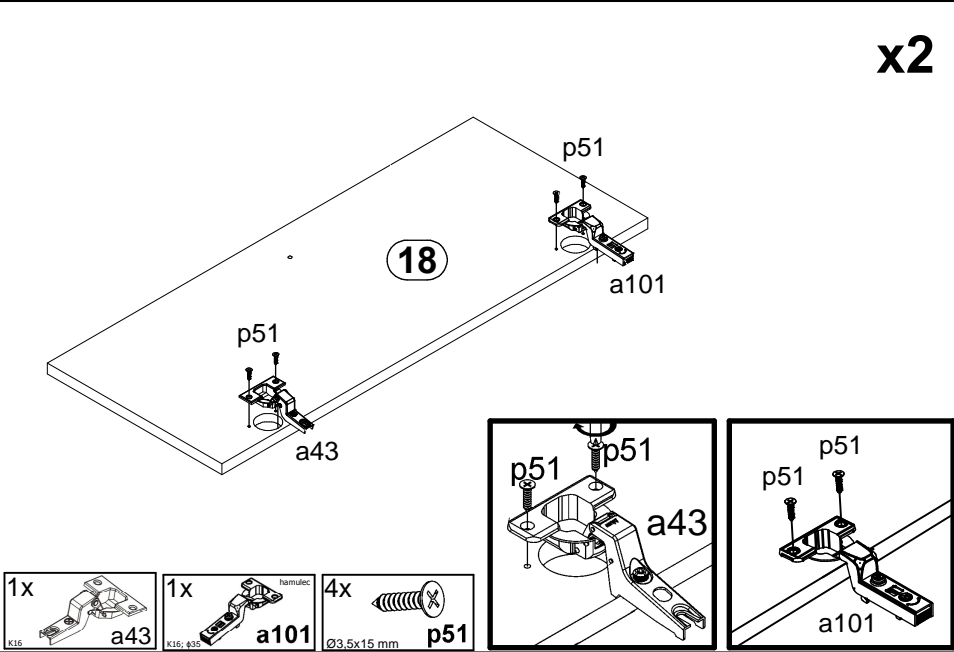


# 12

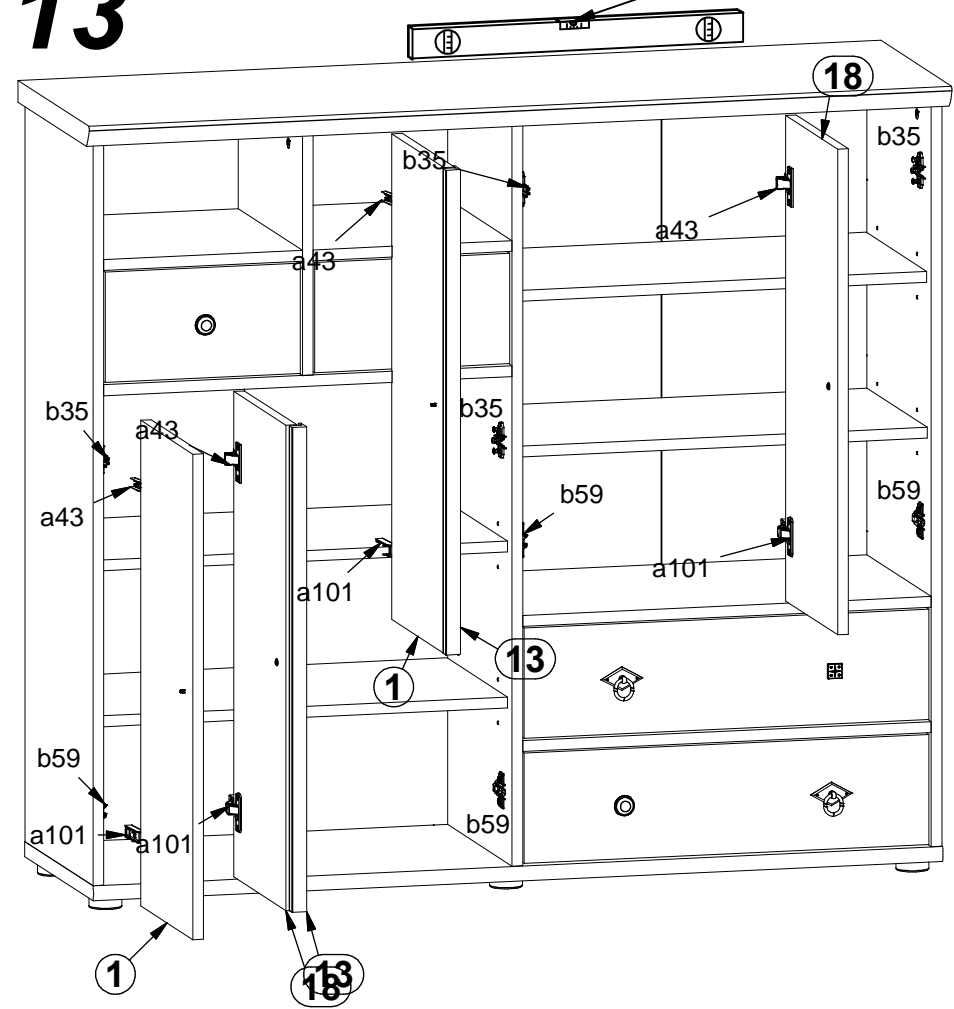
x2



x2



# 13



# 14

