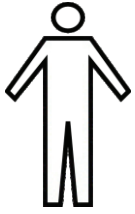
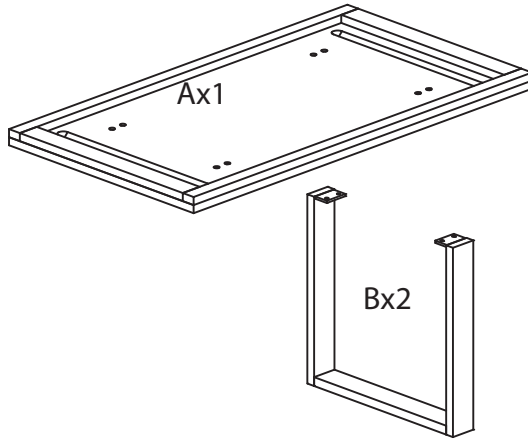
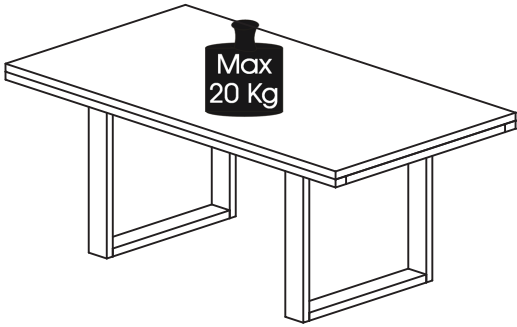
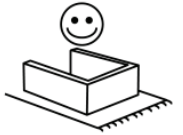





# GRANADA



20min



|                   |   |     |
|-------------------|---|-----|
| <b>C</b><br>M6x16 |  | 8 x |
| <b>D</b><br>M6    |  | 8 x |
| <b>E</b><br>SW5   |  | 1 x |

