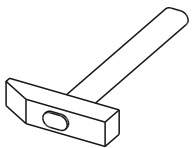
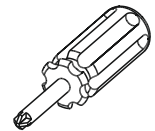
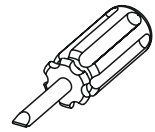
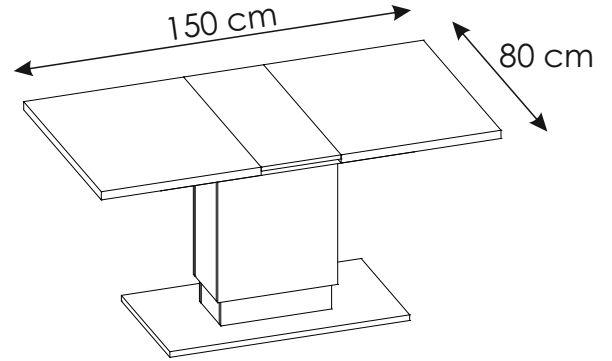
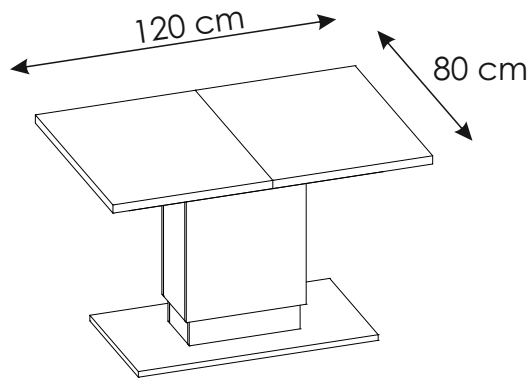
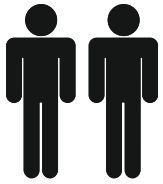
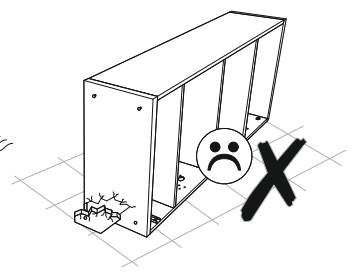
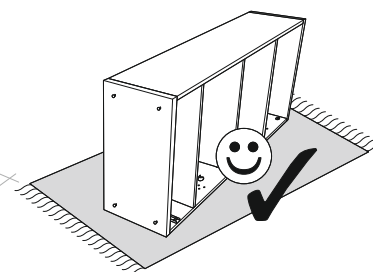
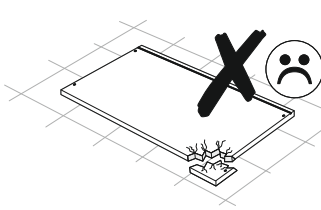
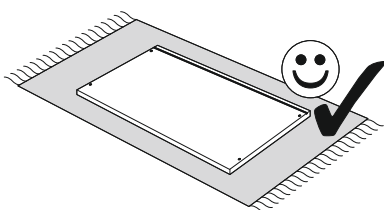
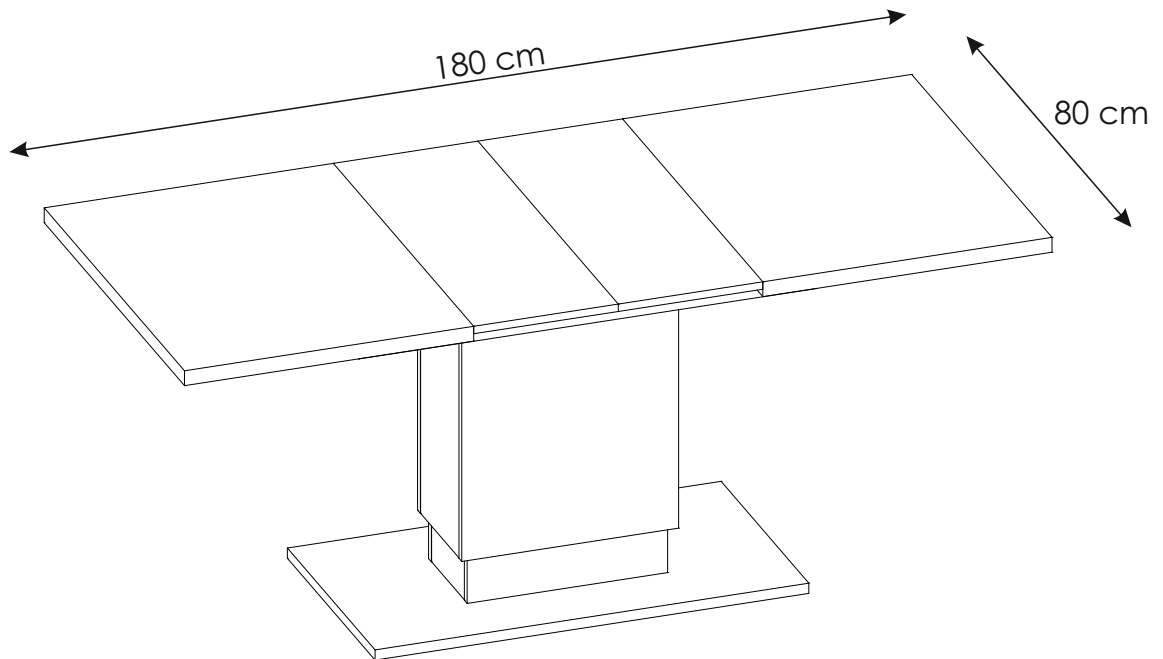


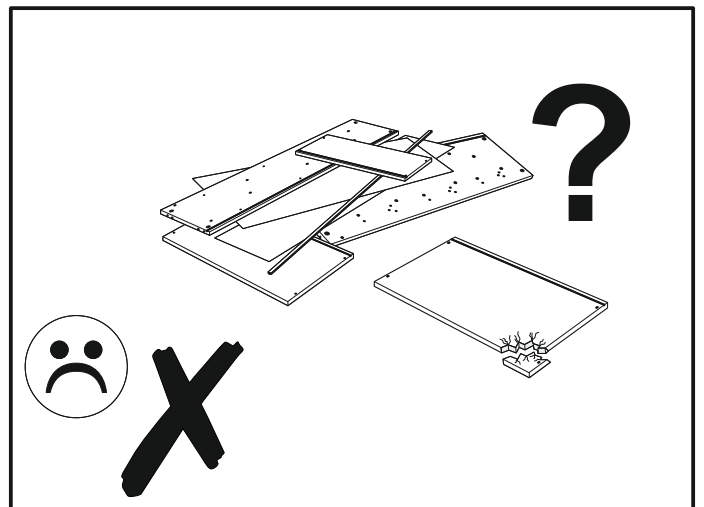
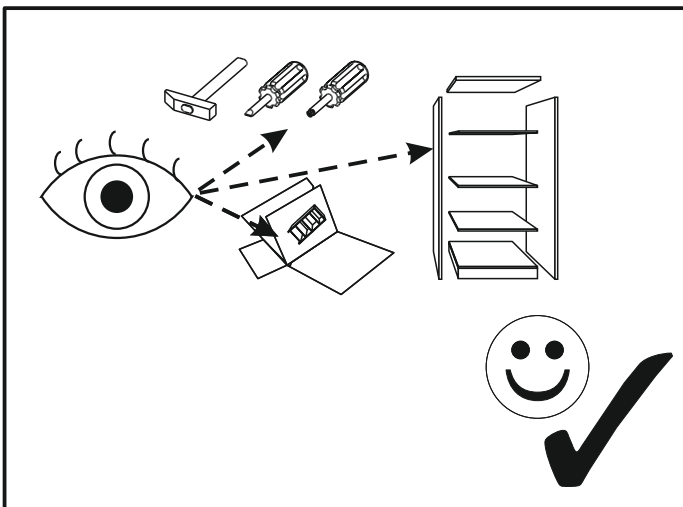
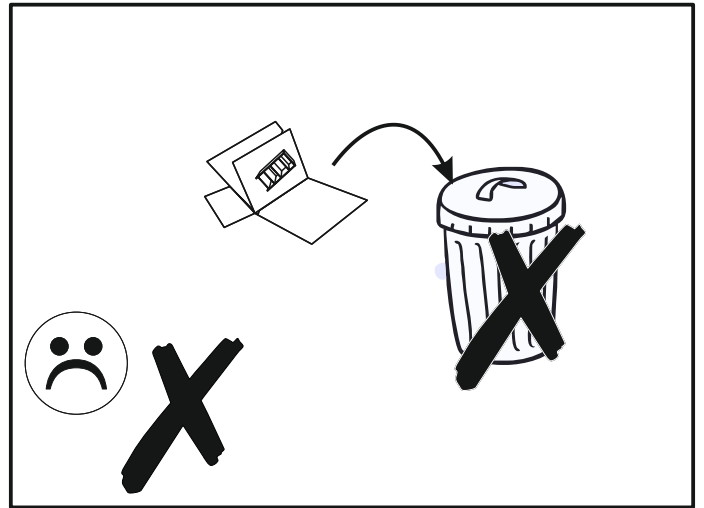
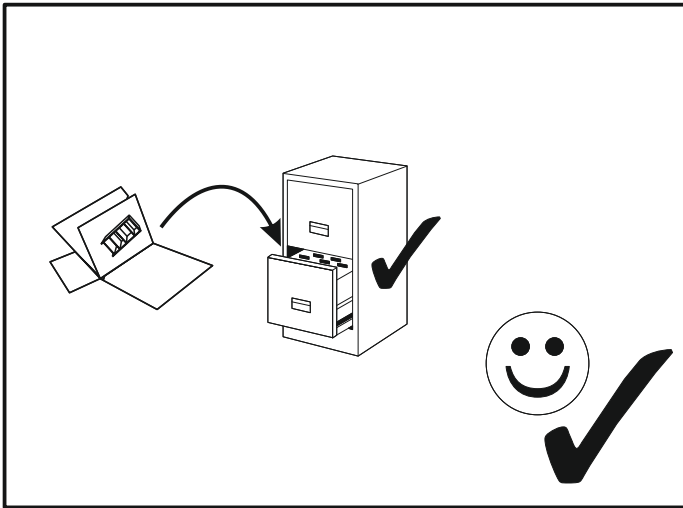
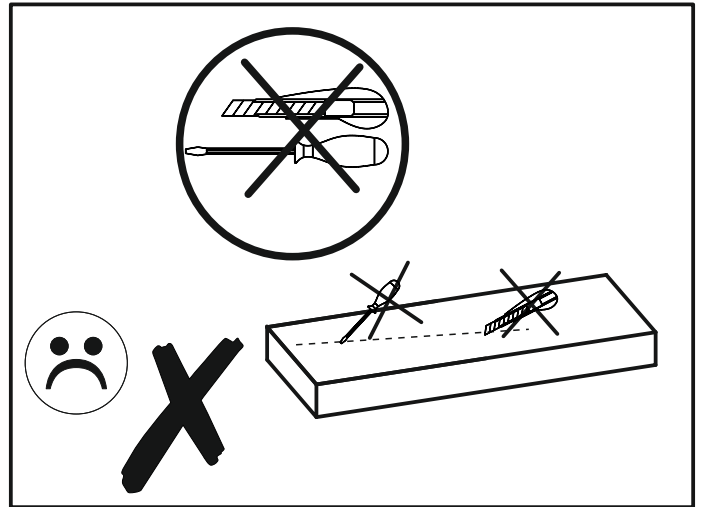
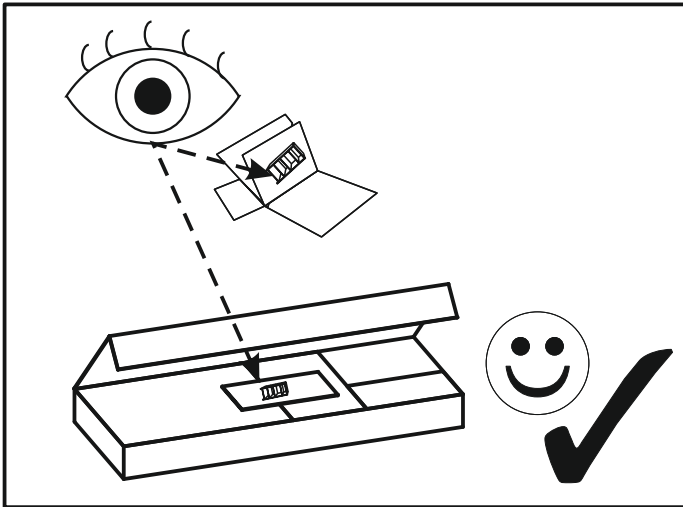
# LORENA

HELA Tische Möbel Vertriebs GmbH  
Scheidkamp 14  
D - 32584 Löhne

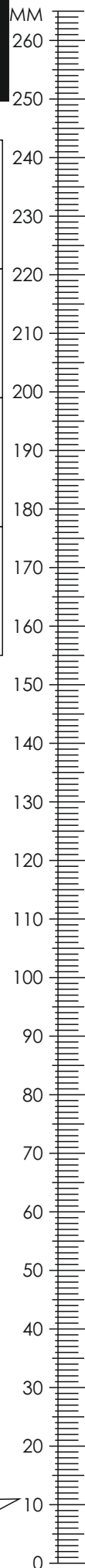


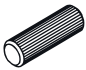


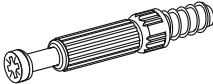
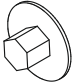
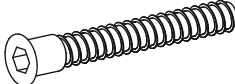



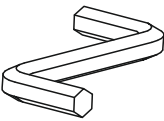

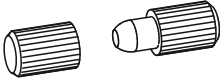
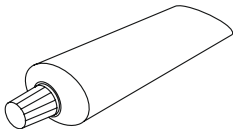
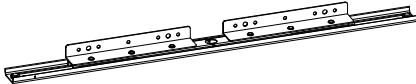
76,2 cm

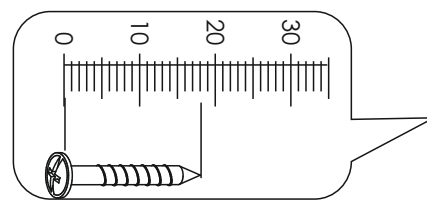




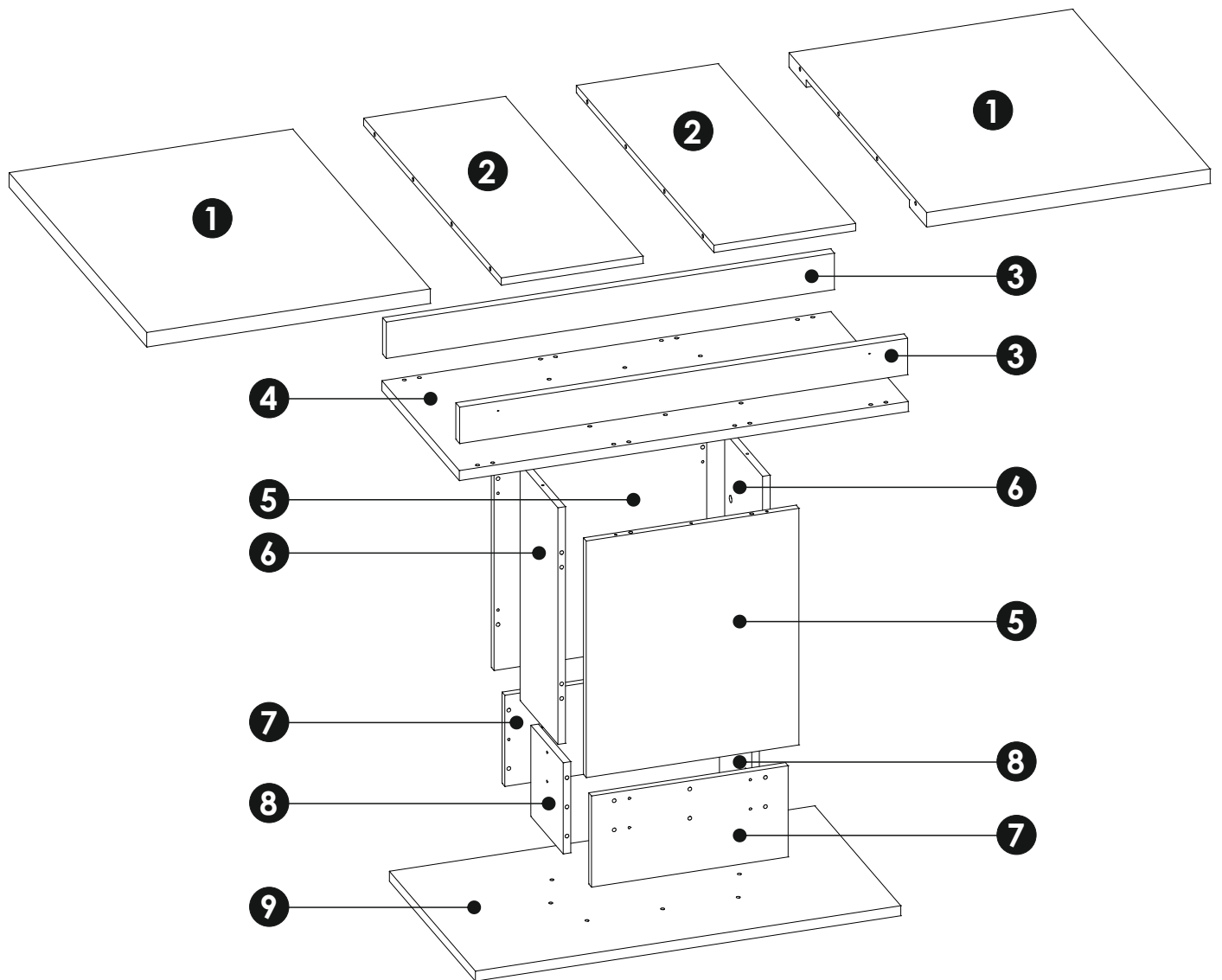
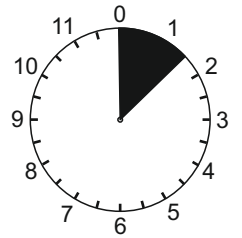
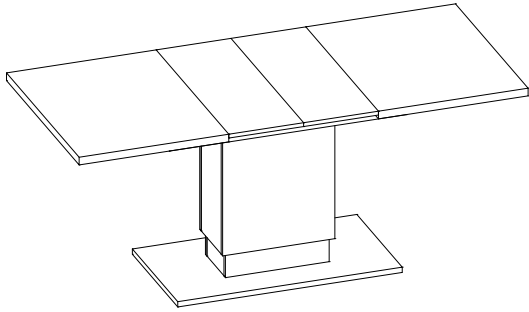
# LORENA



<b>A1</b> 8 x 35 mm x30 	<b>A5</b> 8 x 20 mm x12 	<b>E1</b> 15 x 12 mm x12 
<b>F1</b> 6 x 34 mm x12 	<b>G0</b> x16 	<b>G2</b> 7 x 60 mm x22 
<b>I2</b> 4 x 16 mm x20 	<b>I9</b> 4 x 20 mm x24 	<b>I11</b> 4 x 27 mm x12 
<b>M</b> x1 	<b>O2A</b> ø20 x18 	<b>R8</b> x12 
<b>S</b> x1 	<b>T11</b> x2 	

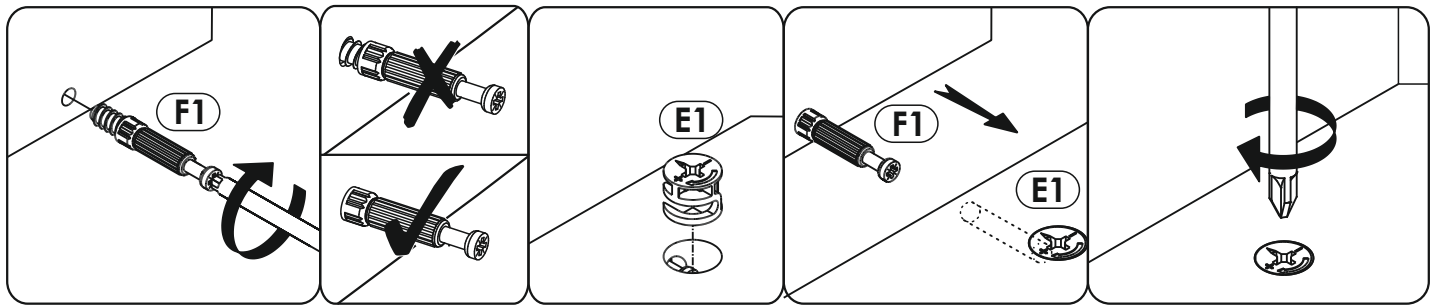


# LORENA

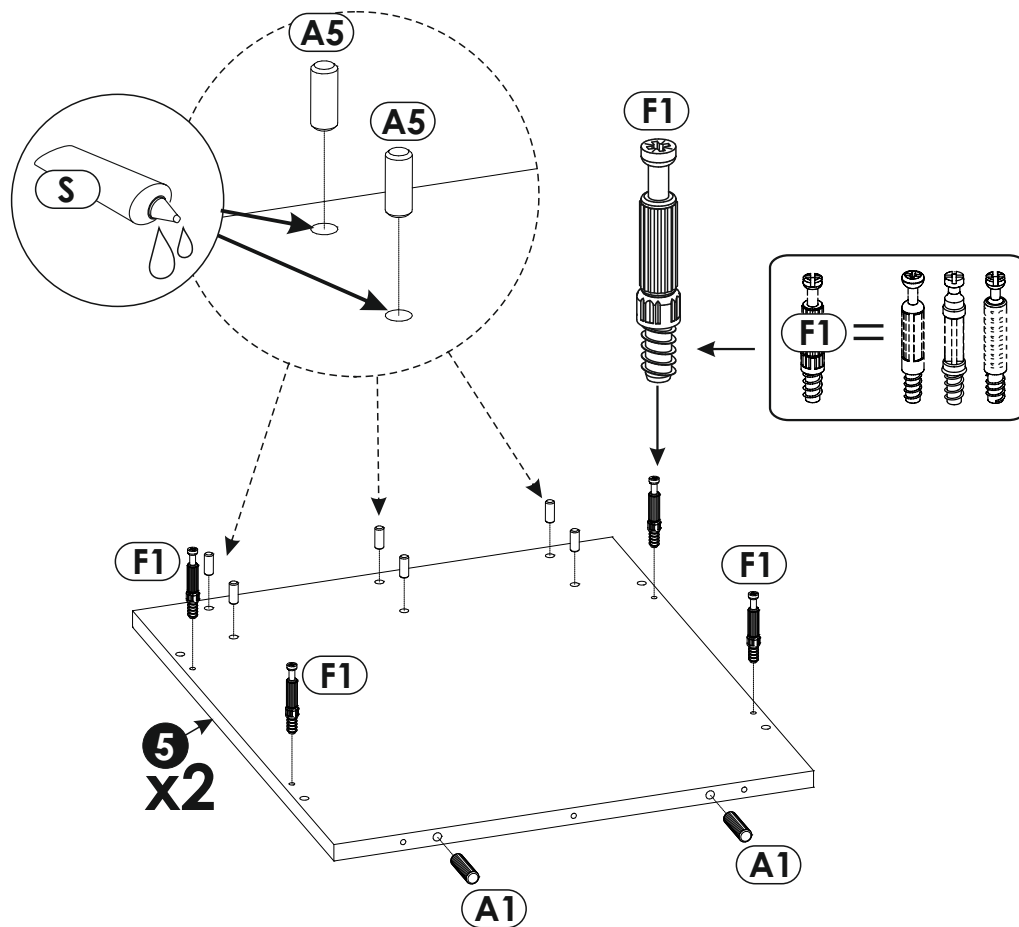


<b>1</b>	600	800	32	x2	2/2
<b>2</b>	300	800	16	x2	2/2
<b>3</b>	948	80	22	x2	1/2
<b>4</b>	950	450	22	x1	1/2

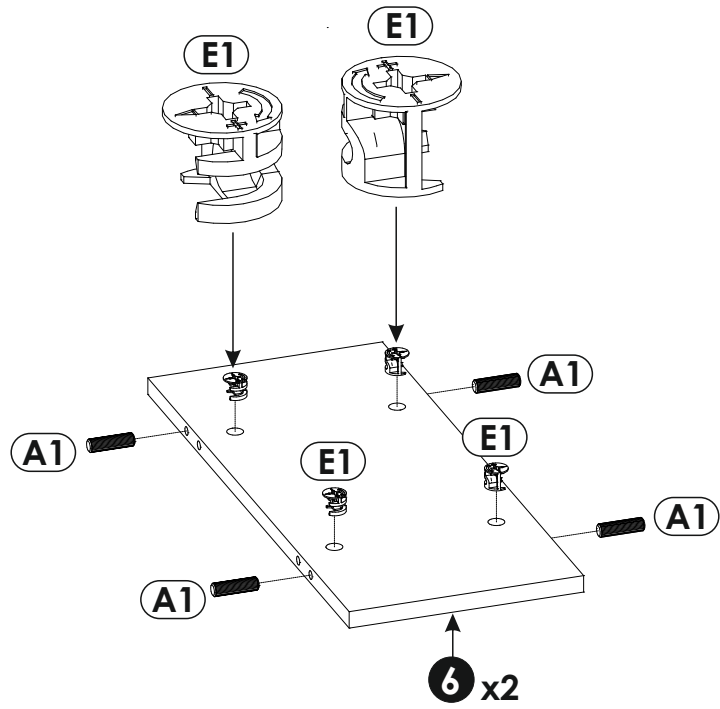
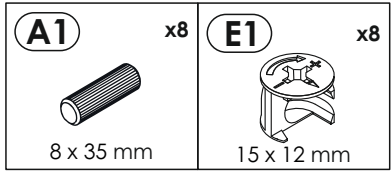
<b>5</b>	519	450	16	x2	2/2
<b>6</b>	519	220	16	x2	1/2
<b>7</b>	416	200	16	x2	1/2
<b>8</b>	200	188	16	x2	1/2
<b>9</b>	900	500	22	x1	1/2



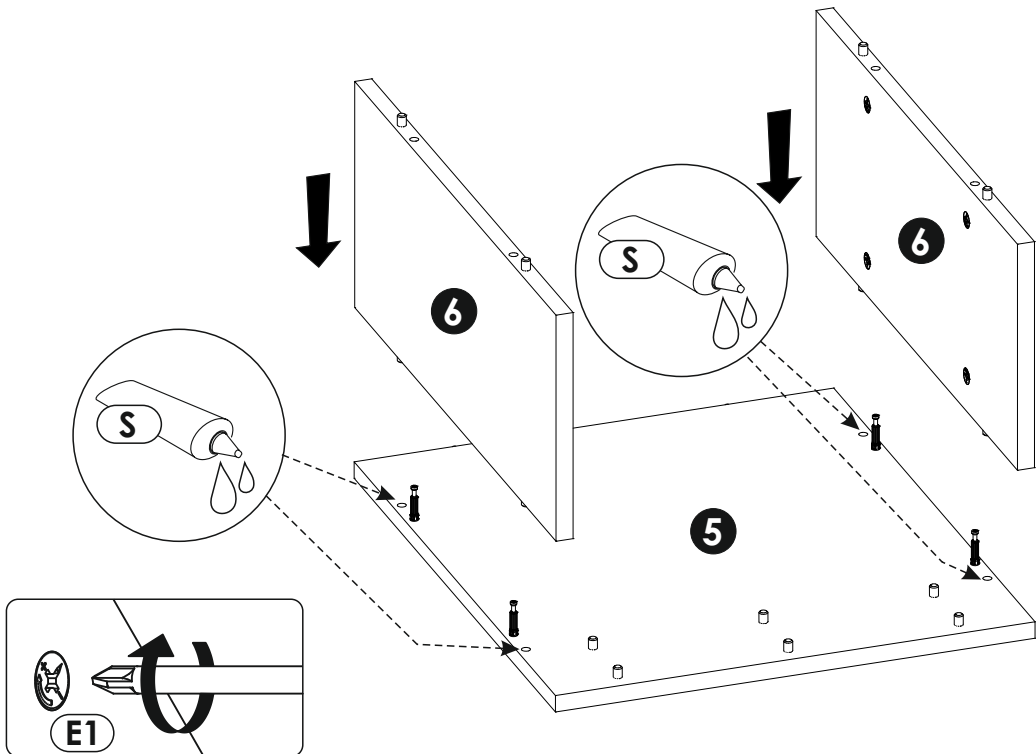
<b>A1</b>	x4	<b>A5</b>	x12	<b>F1</b>	x8	<b>S</b>	x1
8 x 35 mm		8 x 20 mm		6 x 34 mm			



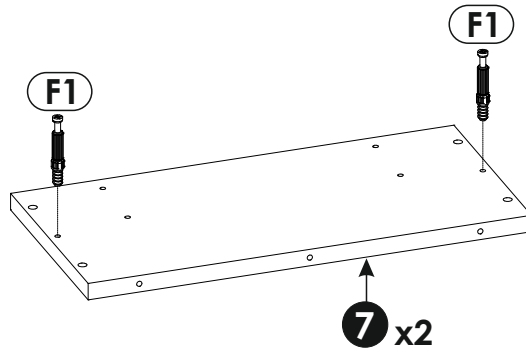
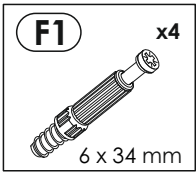
2 ▶



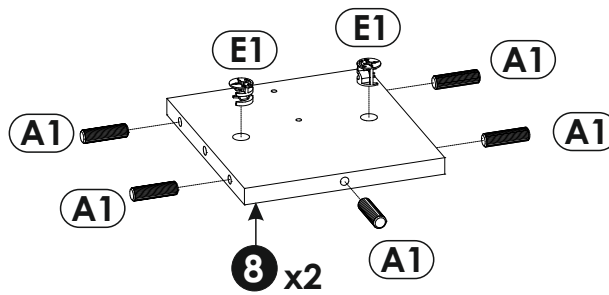
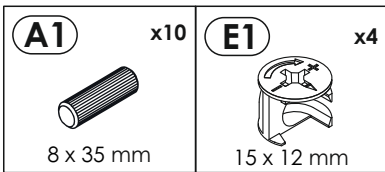
3 ▶



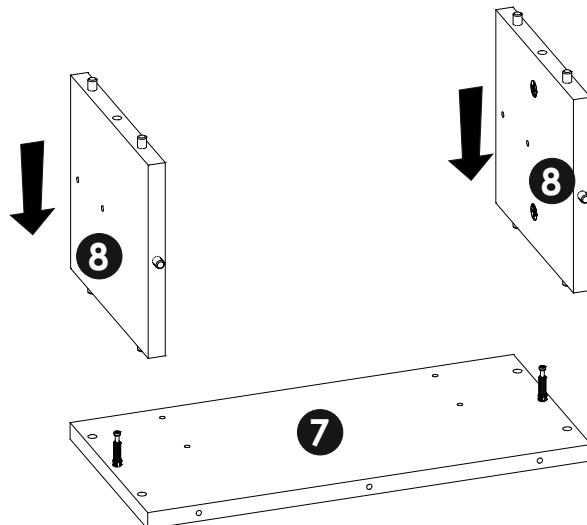
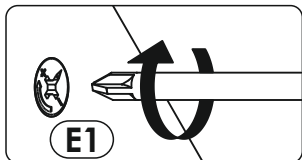
4 ▶



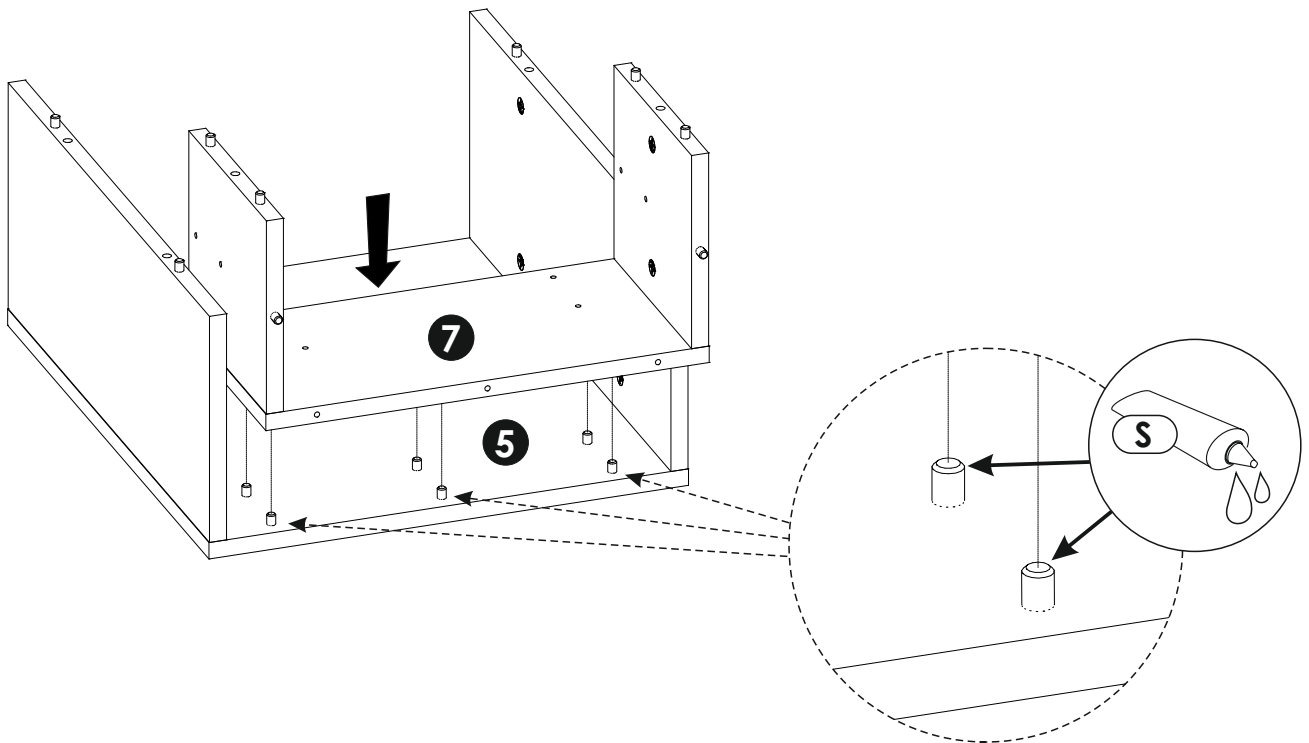
5 ▶



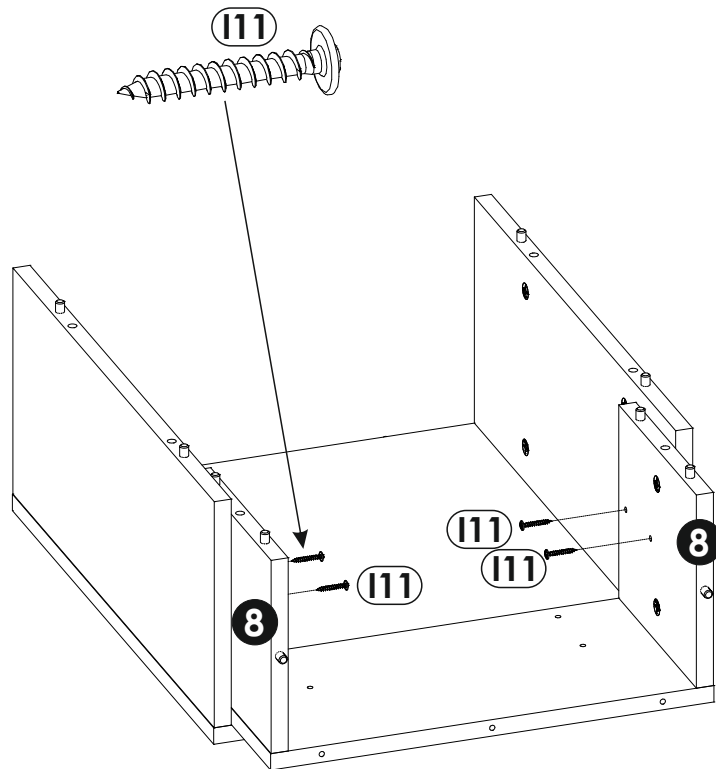
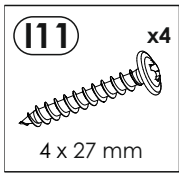
6 ▶



7 ▶

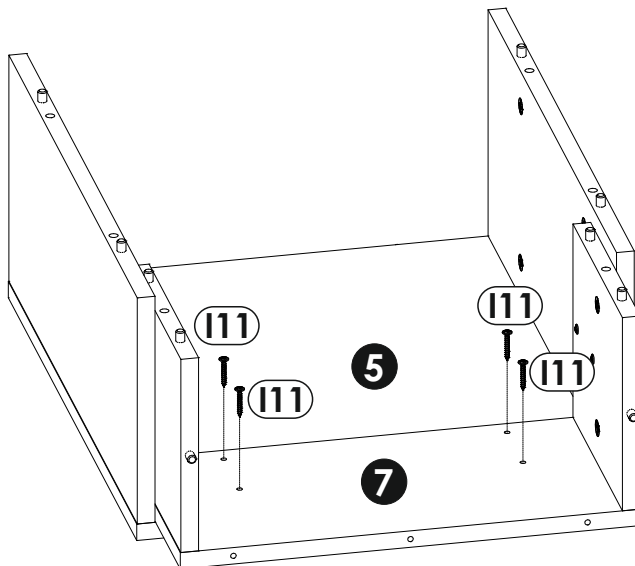
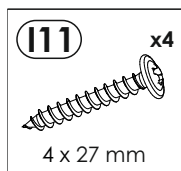


8 ▶

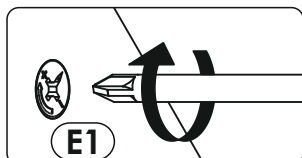
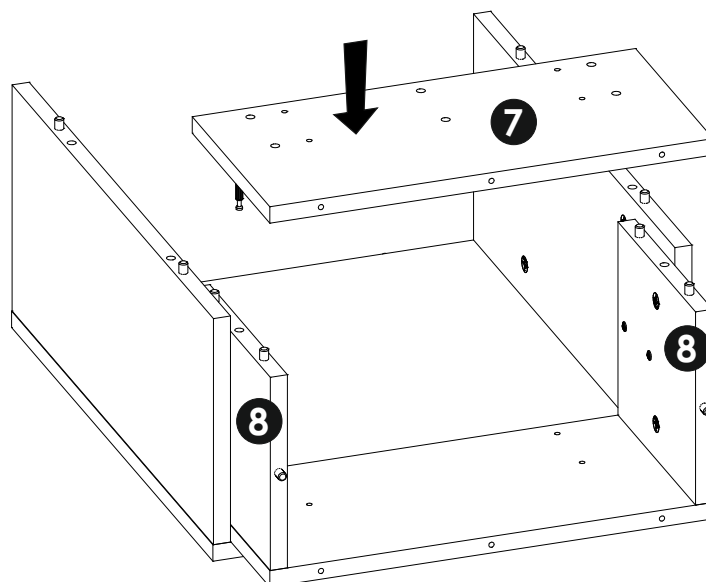




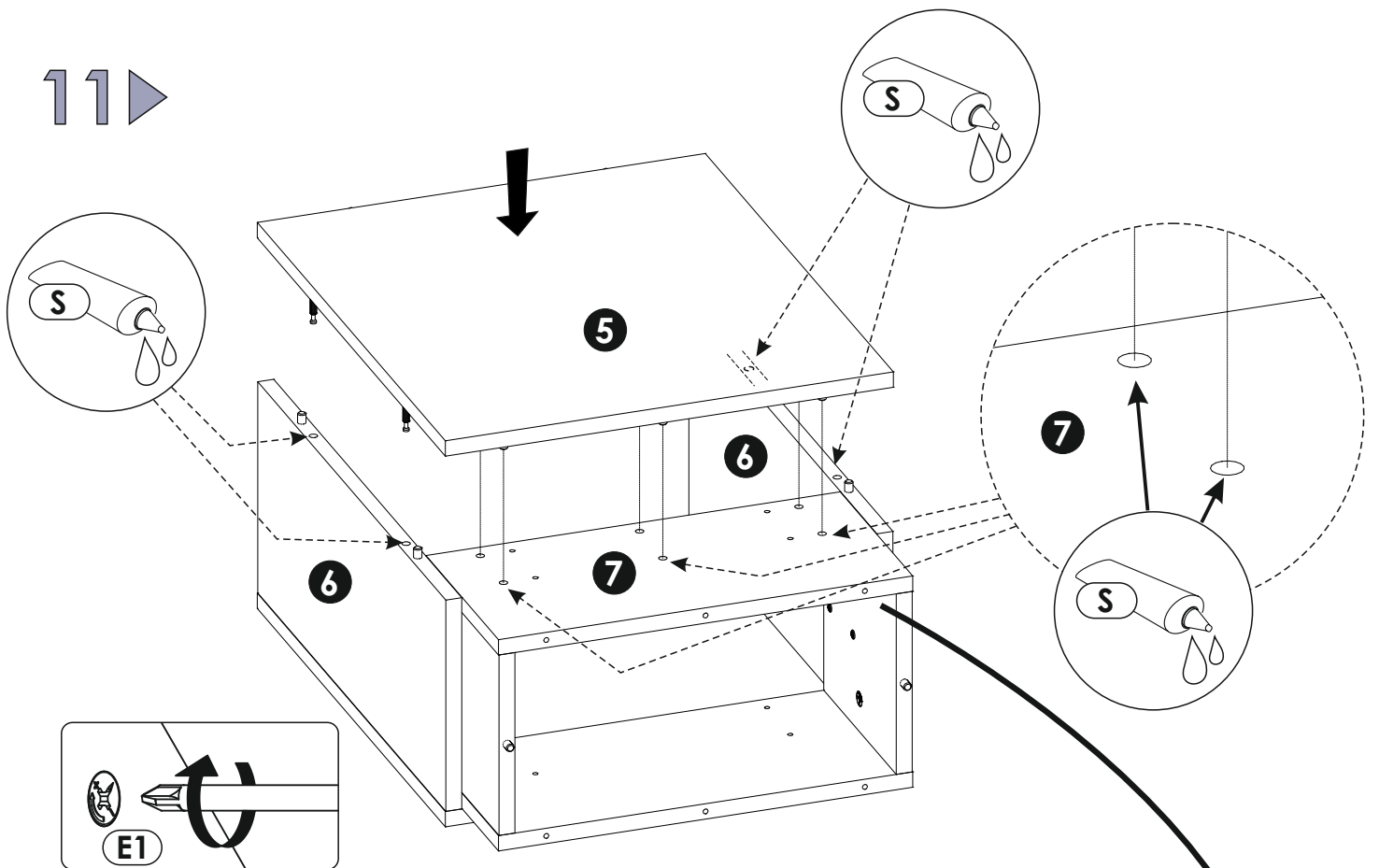
9 ▶



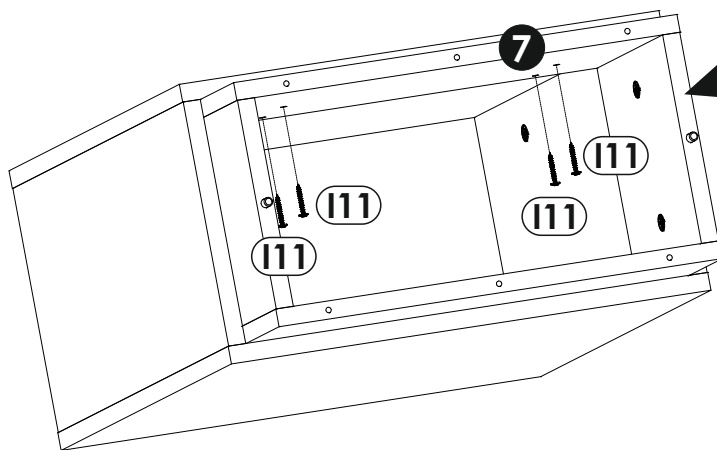
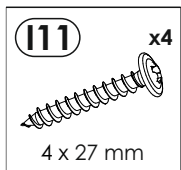
10 ▶



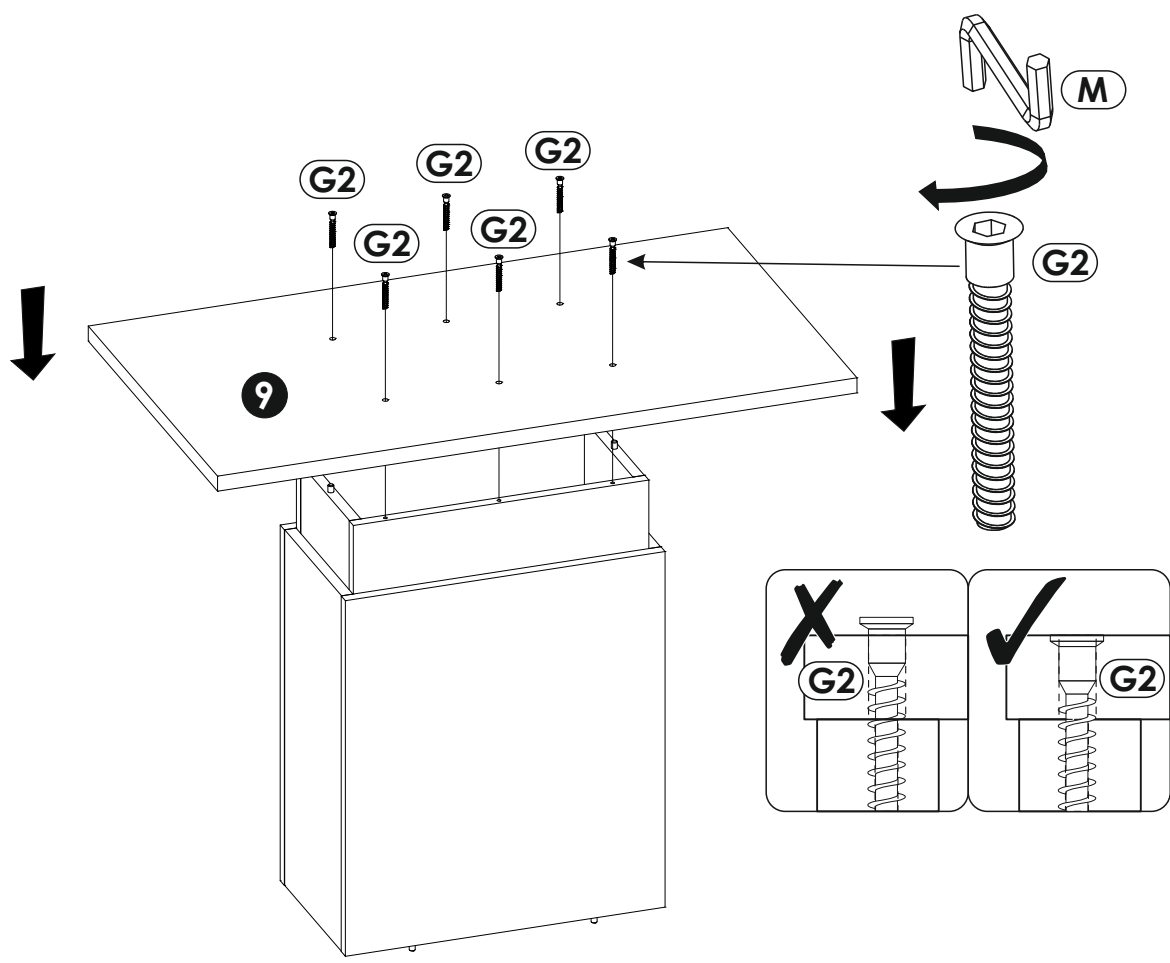
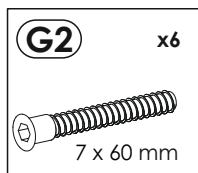
11 ▶



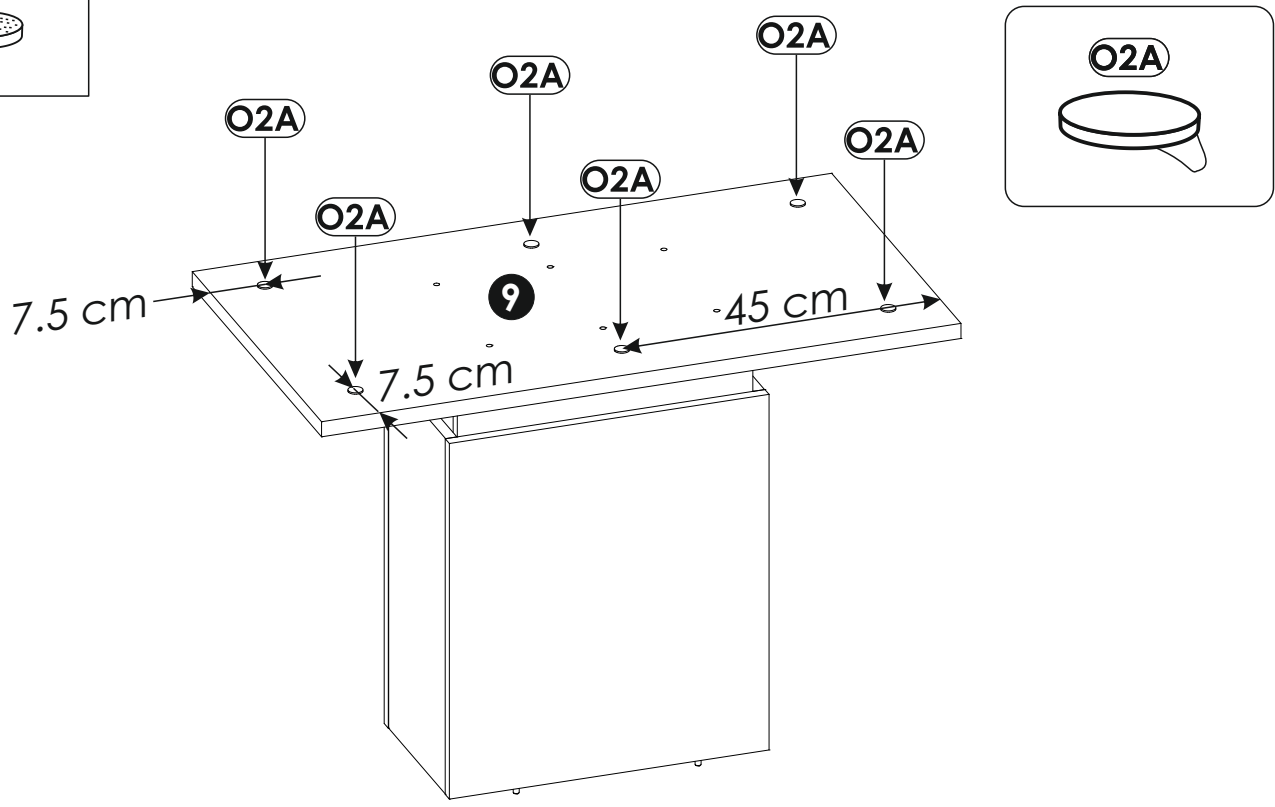
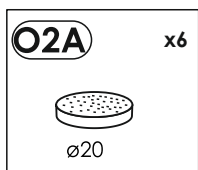
12 ▶

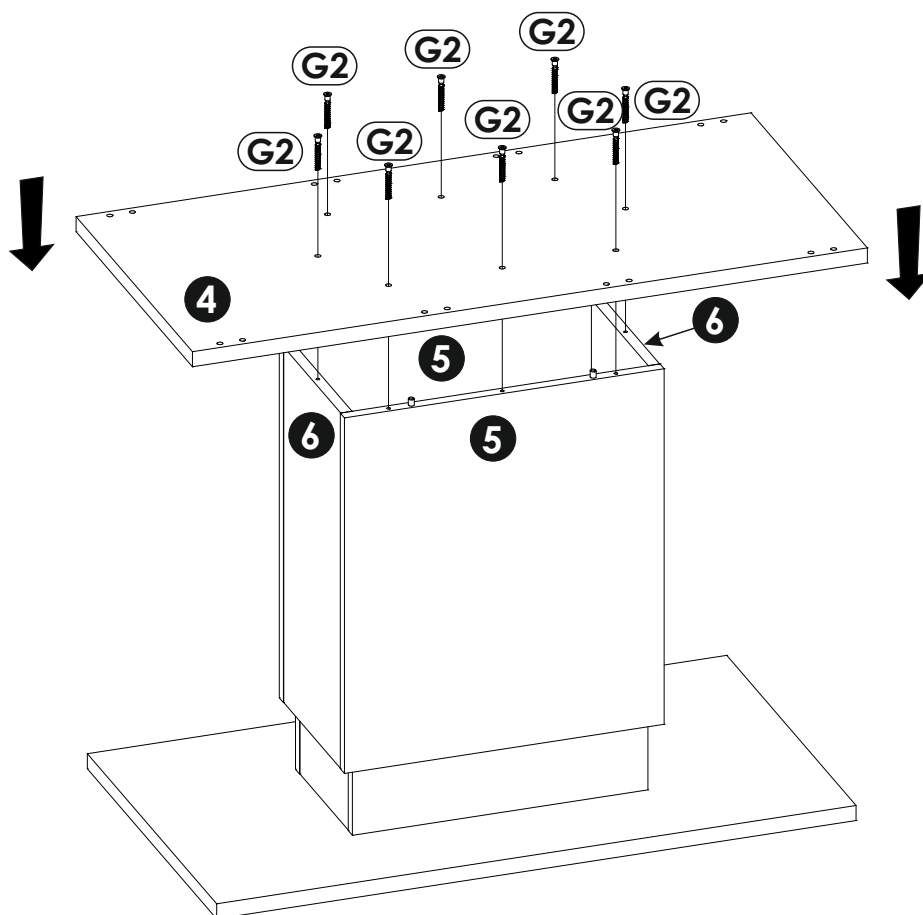
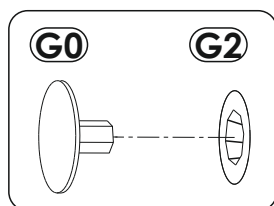
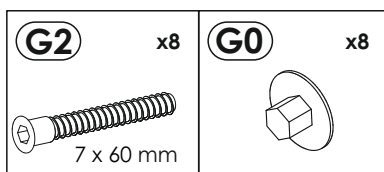


# 13▶


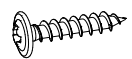
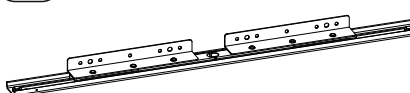



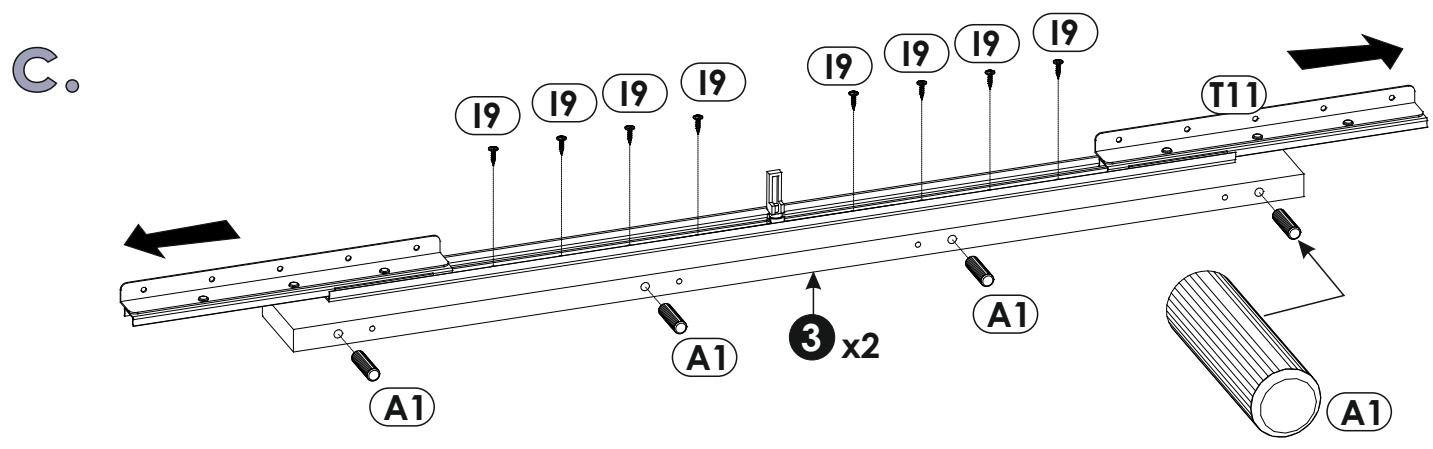
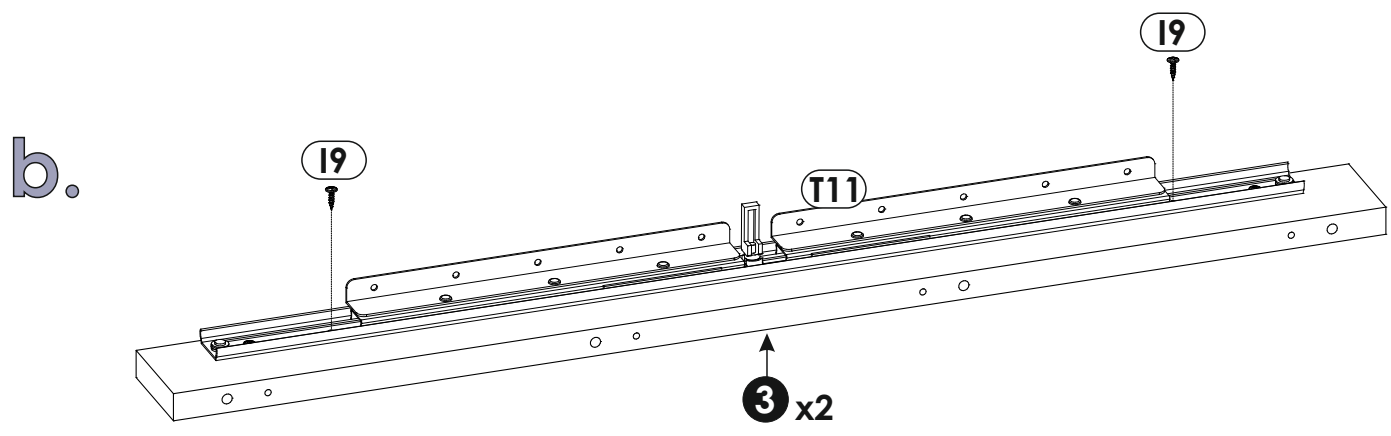
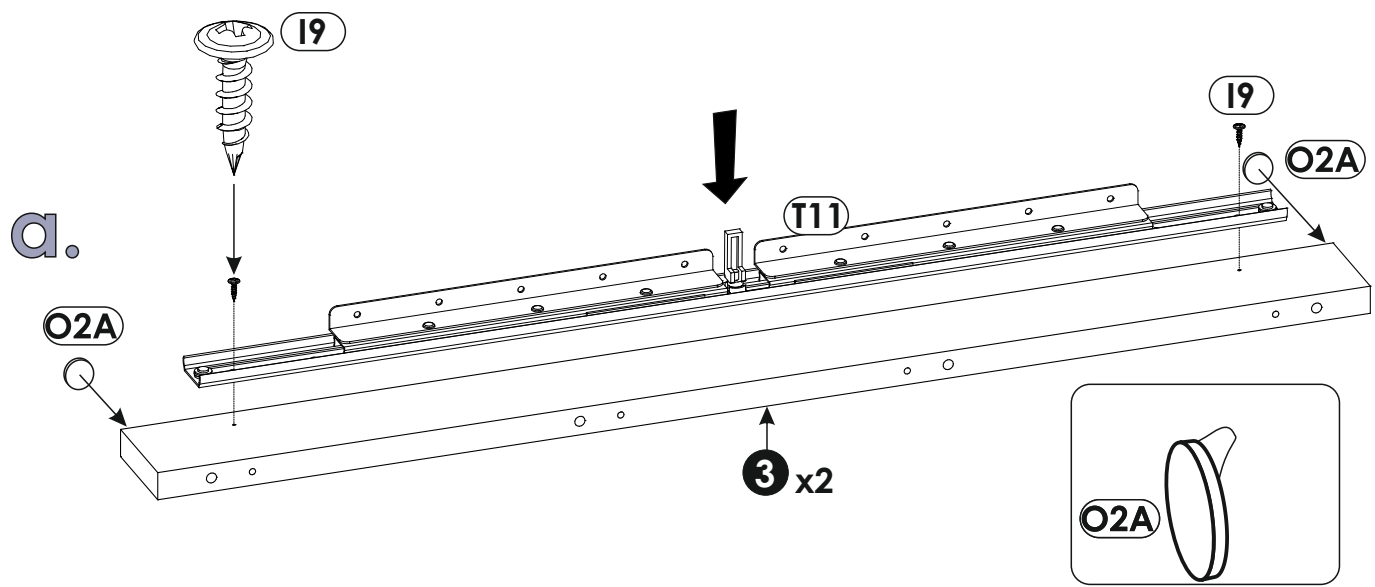
# 14▶



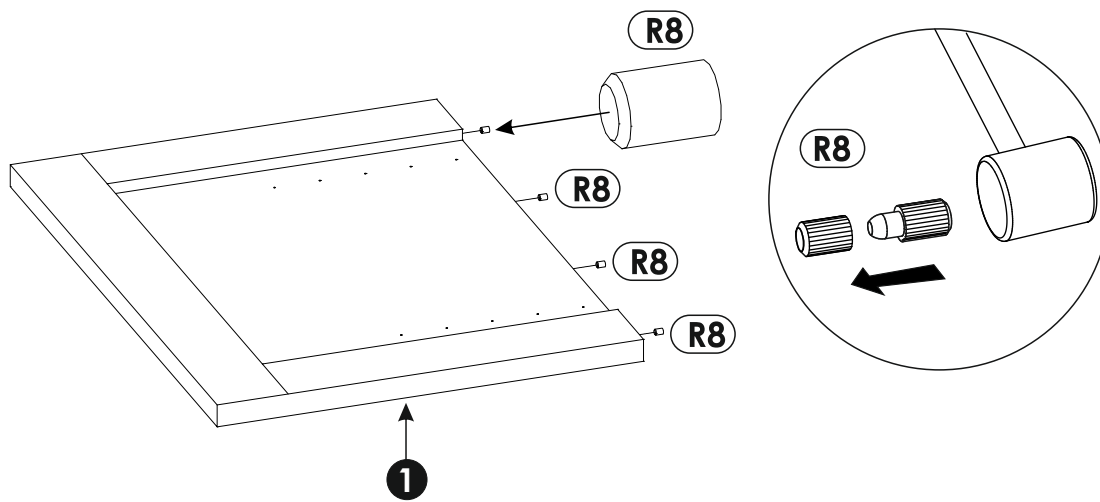
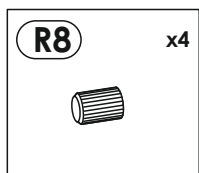


16 ▶

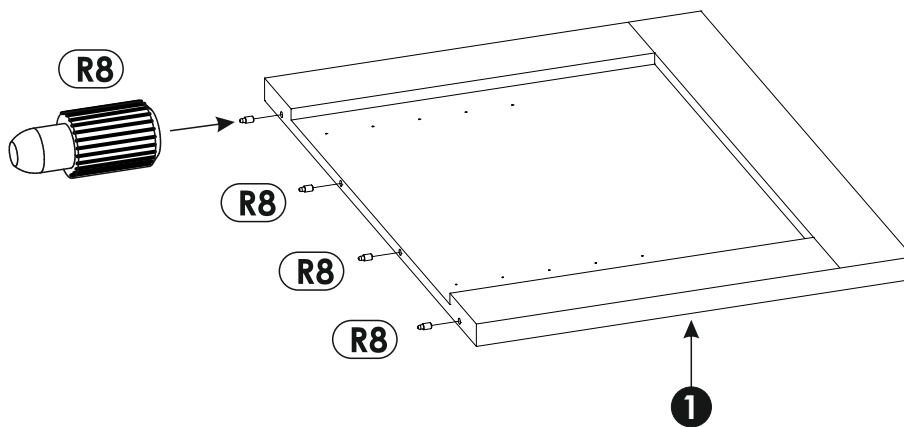
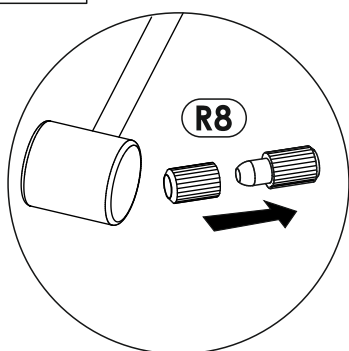
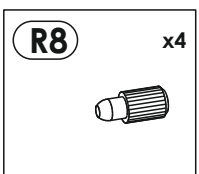
<p><b>A1</b> x8</p>  <p>8 x 35 mm</p>	<p><b>I9</b> x24</p>  <p>4 x 20 mm</p>	<p><b>T11</b> x2</p> 	<p><b>O2A</b> x4</p>  <p>ø20</p>
--	---	---	---



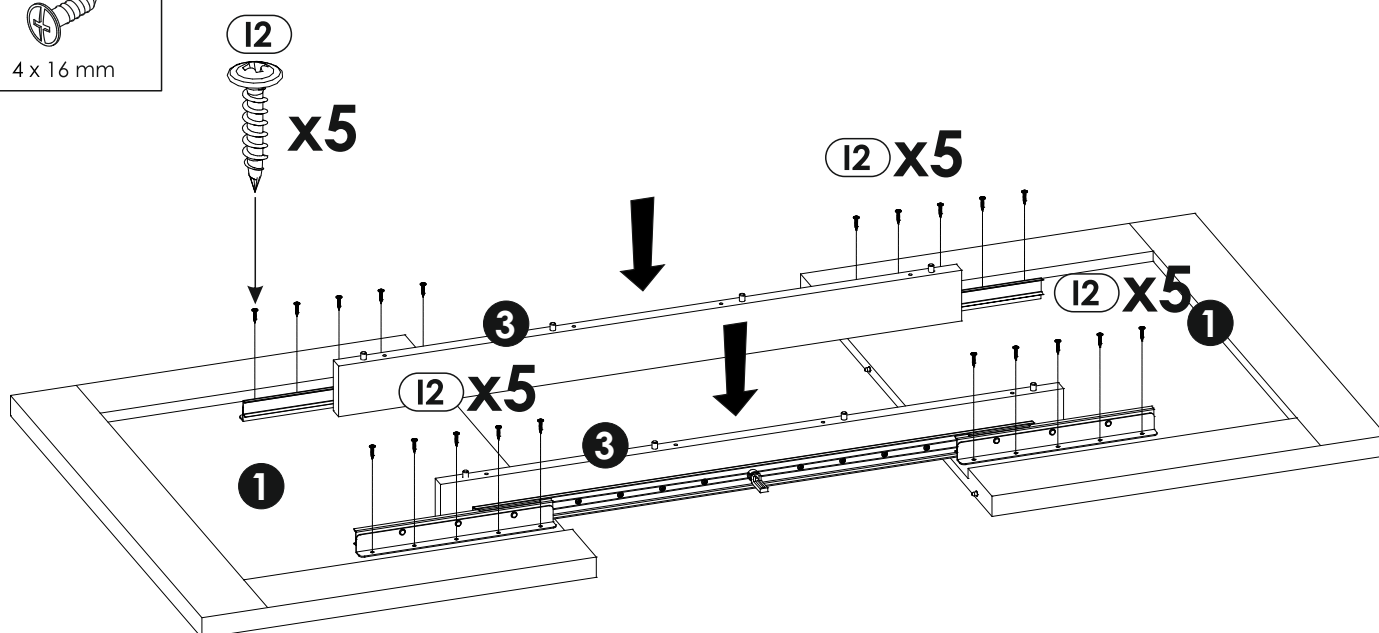
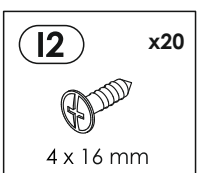
17▶



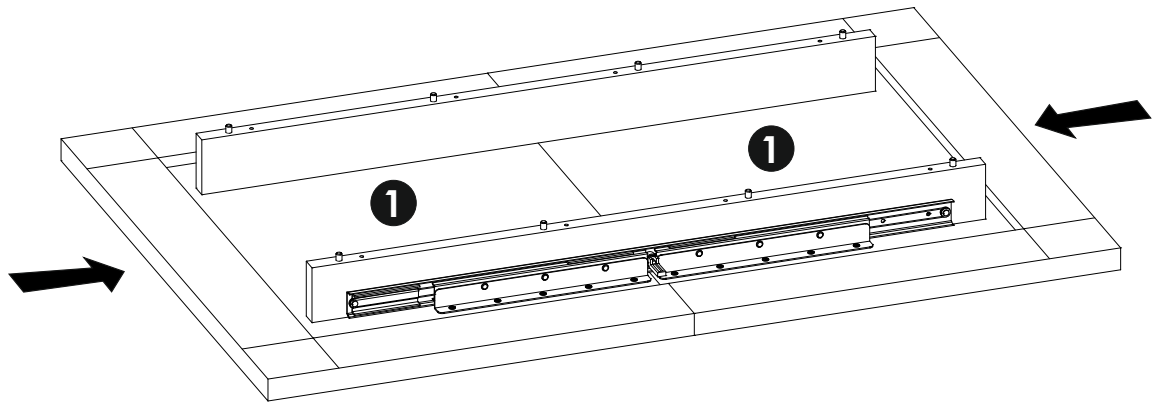
18▶



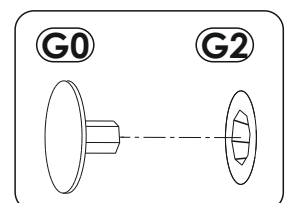
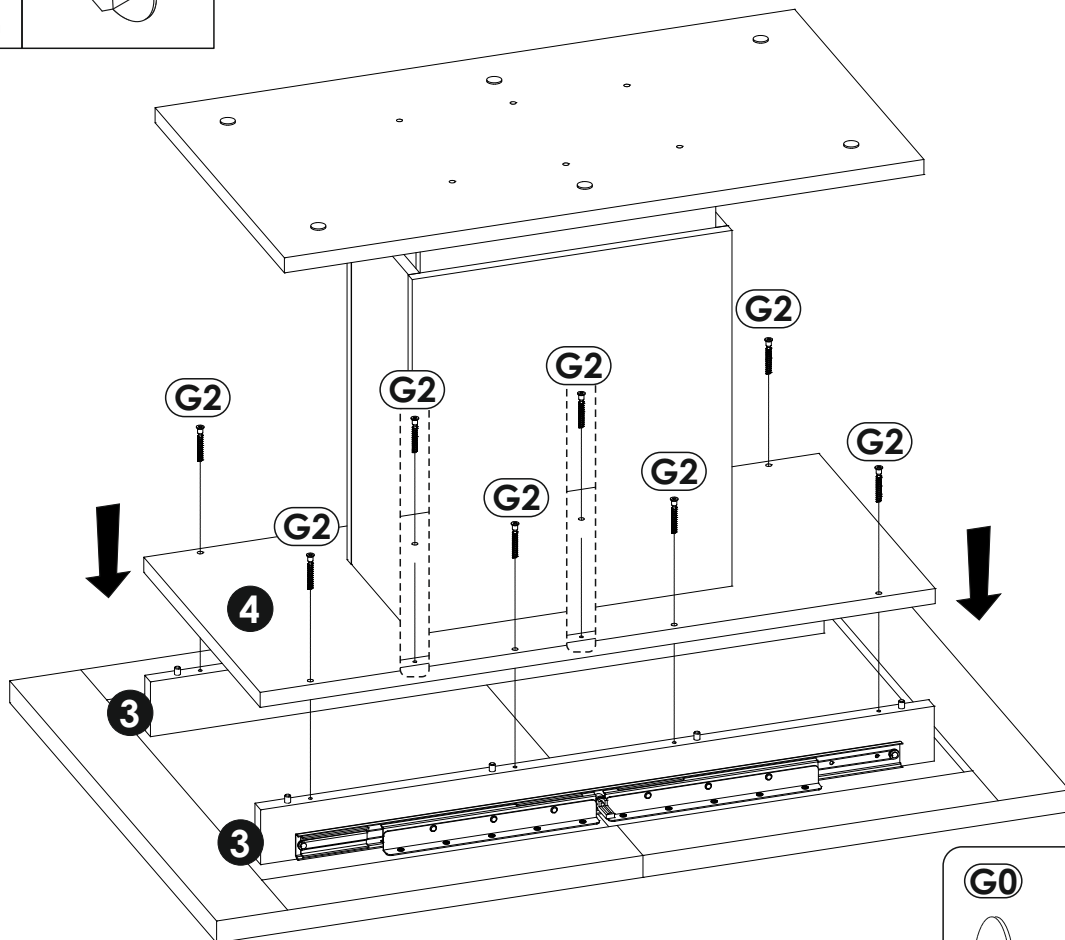
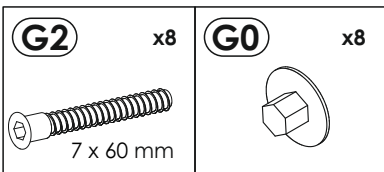
19▶



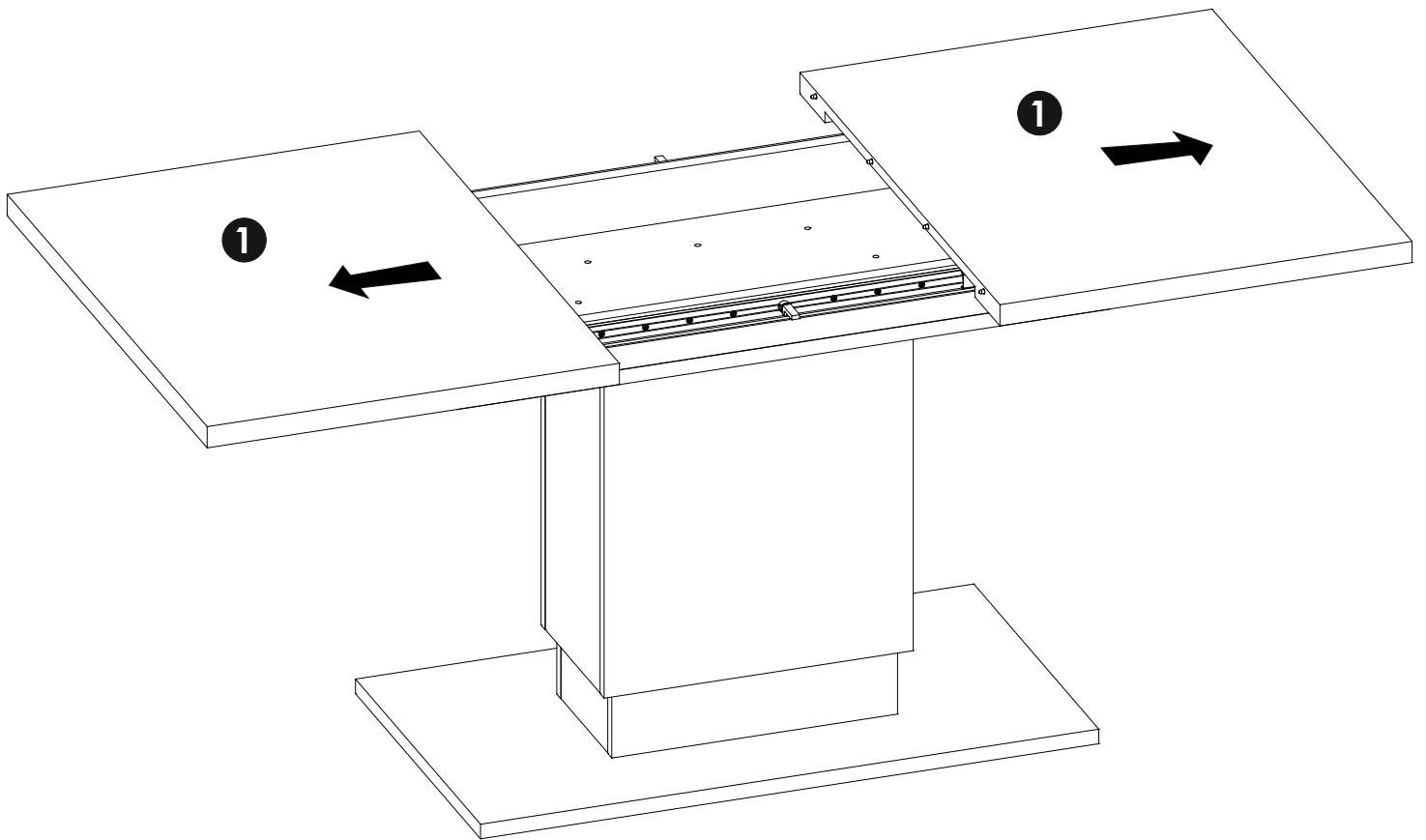
20 ▶



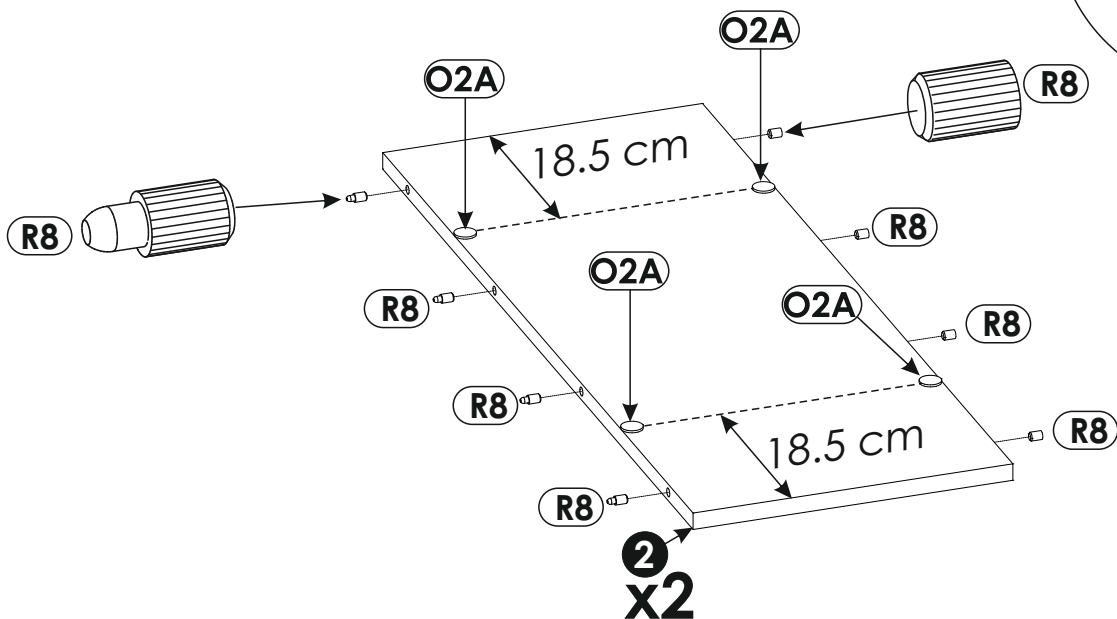
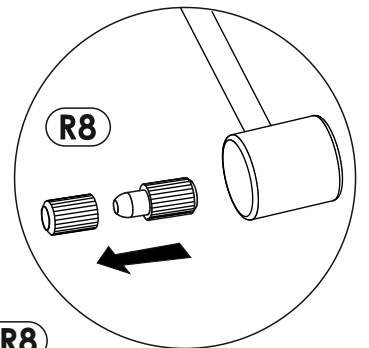
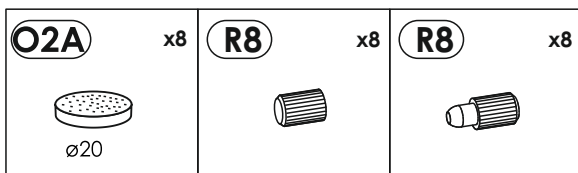
21 ▶



# 22 ▶

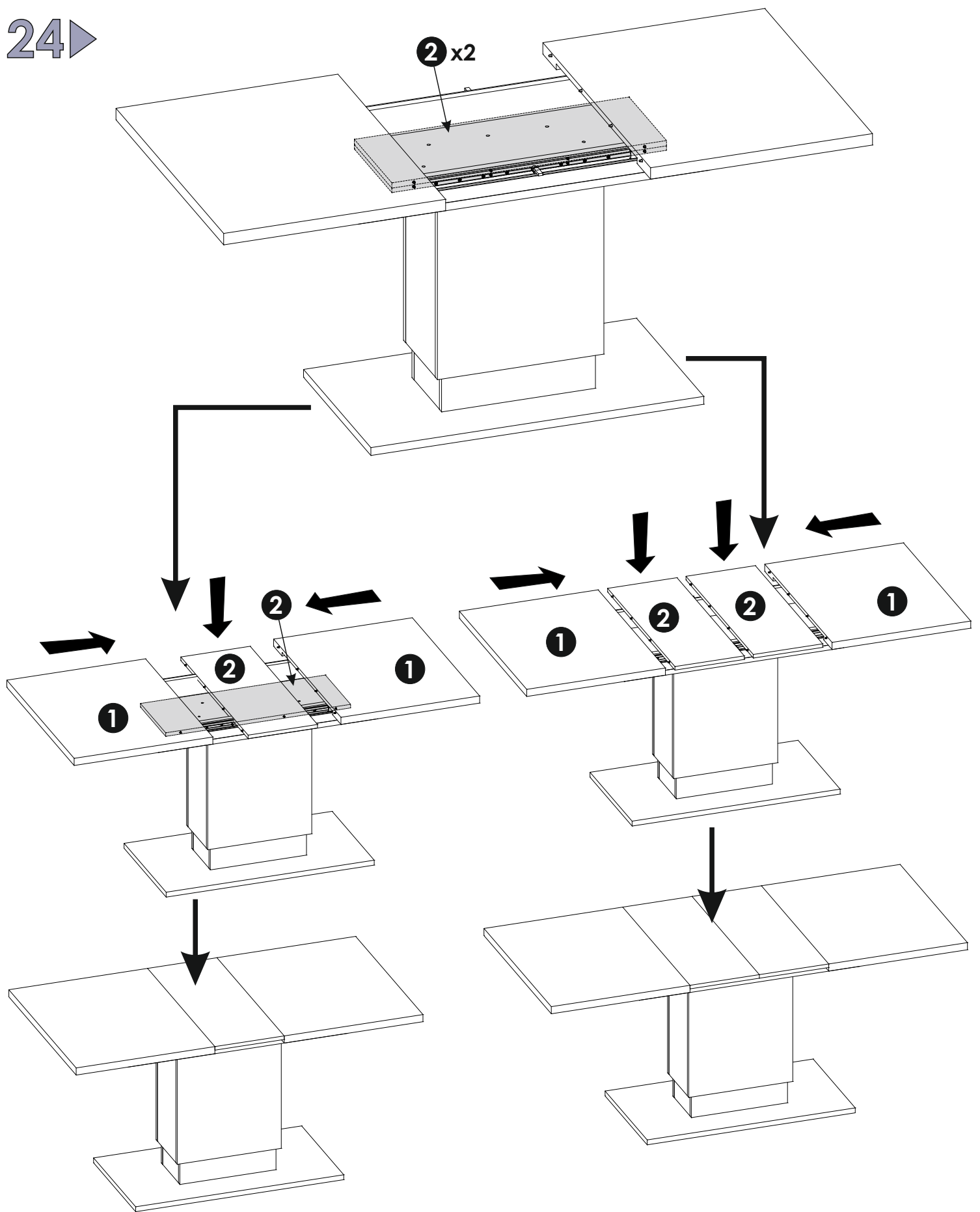


# 23 ▶





24 ▶



25▶

