



- (D) AUFBAUANLEITUNG
- (NL) HANDLEIDING VOOR DE MONTAGE
- (TR) MONTAJ TALIMATI
- (RO) INSTRUCIUNI DE ASAMBLARE
- (F) INSTRUCTION D'ASSEMBLAGE
- (CZ) POKYNY K MONTÁŽI

- (GB) ASSEMBLY INSTRUCTIONS
- (PL) INSTRUKCJA MONTAŻU
- (RU) Инструкция по монтажу
- (I) PROCEDURA DI ASSEMBLAGGIO
- (SK) POKYNY K MONTÁŽIAGE
- (HU) KÖZGYŰLÉS UTASÍTÁSOK

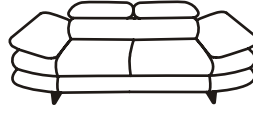
“SOLUTION” 2F-OTM



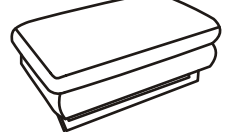
“SOLUTION” 2-REC



“SOLUTION” 3-er, 2-er

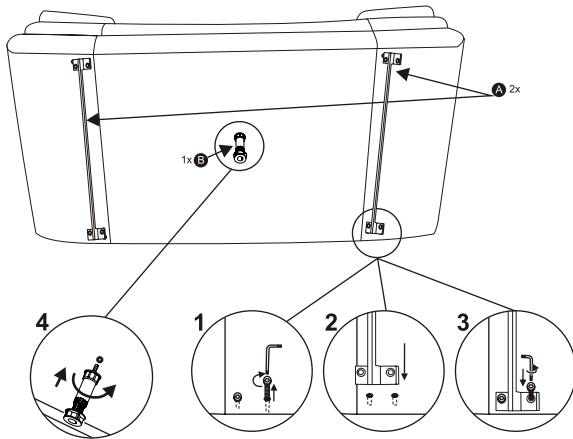


“SOLUTION” Hocker

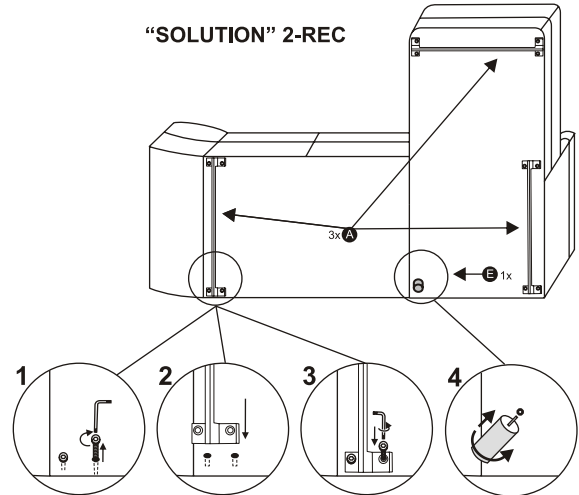


- |         |         |          |         |         |          |         |         |         |         |         |         |         |         |         |
|---------|---------|----------|---------|---------|----------|---------|---------|---------|---------|---------|---------|---------|---------|---------|
| A<br>3x | B<br>1x | C<br>12x | D<br>1x | A<br>3x | C<br>12x | D<br>1x | E<br>1x | A<br>2x | B<br>1x | C<br>8x | D<br>1x | A<br>2x | C<br>8x | D<br>1x |
|---------|---------|----------|---------|---------|----------|---------|---------|---------|---------|---------|---------|---------|---------|---------|

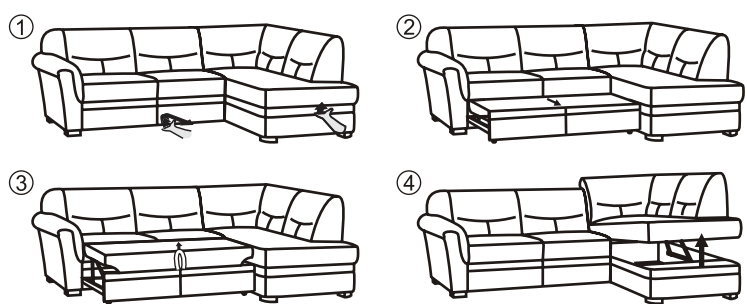
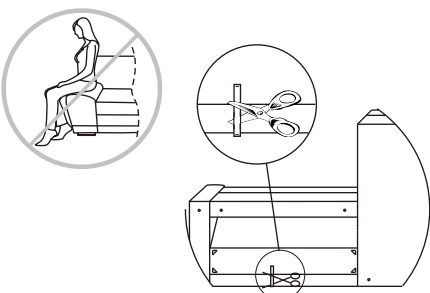
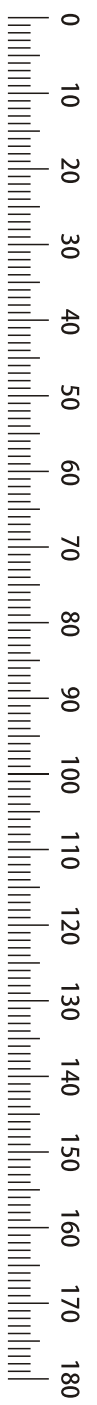
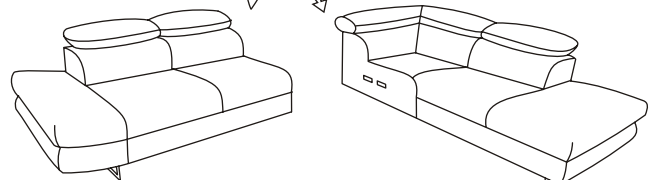
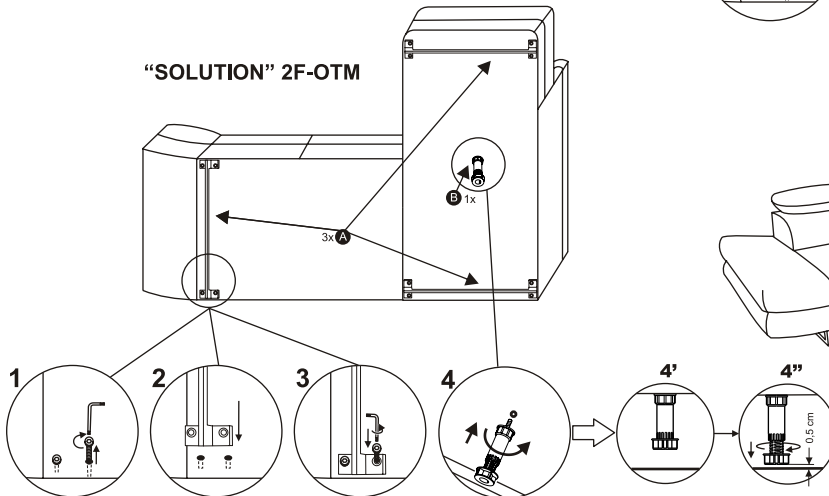
“SOLUTION” 3-er, 2-er



“SOLUTION” 2-REC



“SOLUTION” 2F-OTM



<p>Solution</p>	
<p>A</p>	<p>B</p>
<p>C</p>	<p>D</p>
<p>E</p>	<p>D</p>