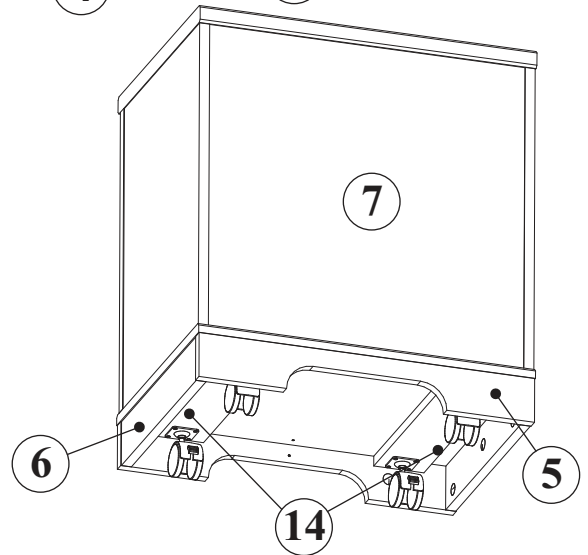
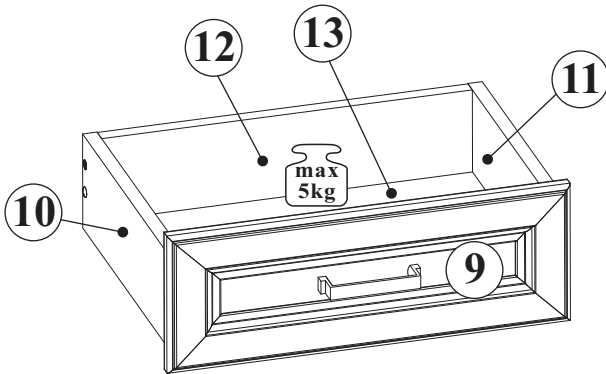
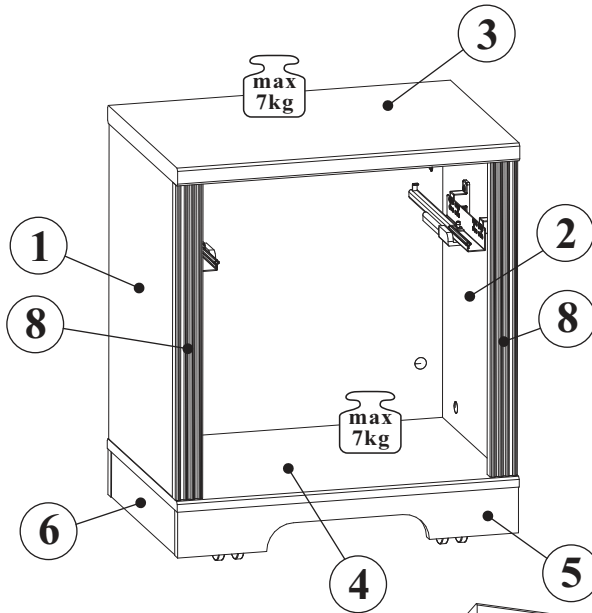
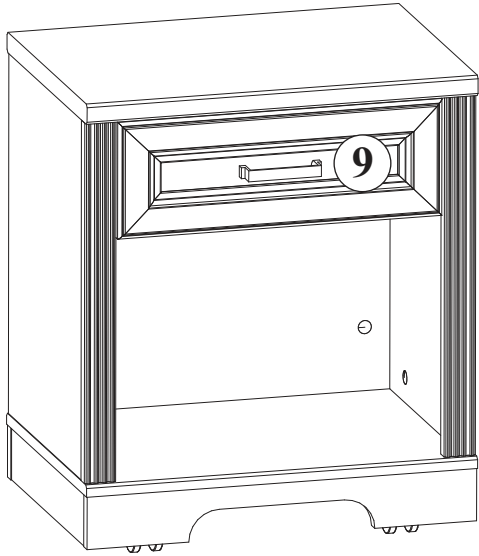
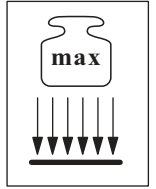
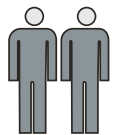


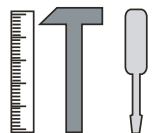
JASMIN 5K 21--17

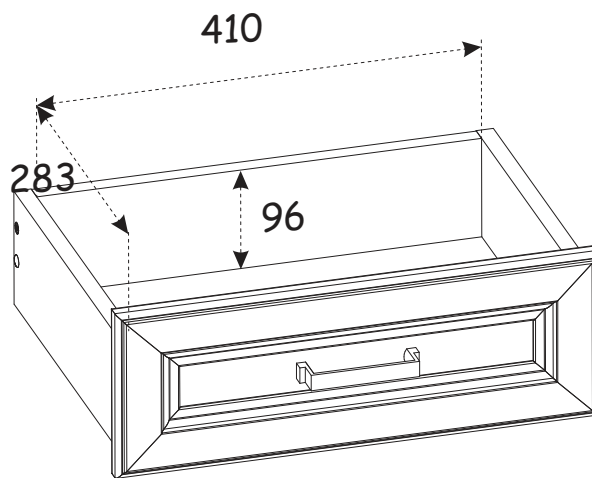
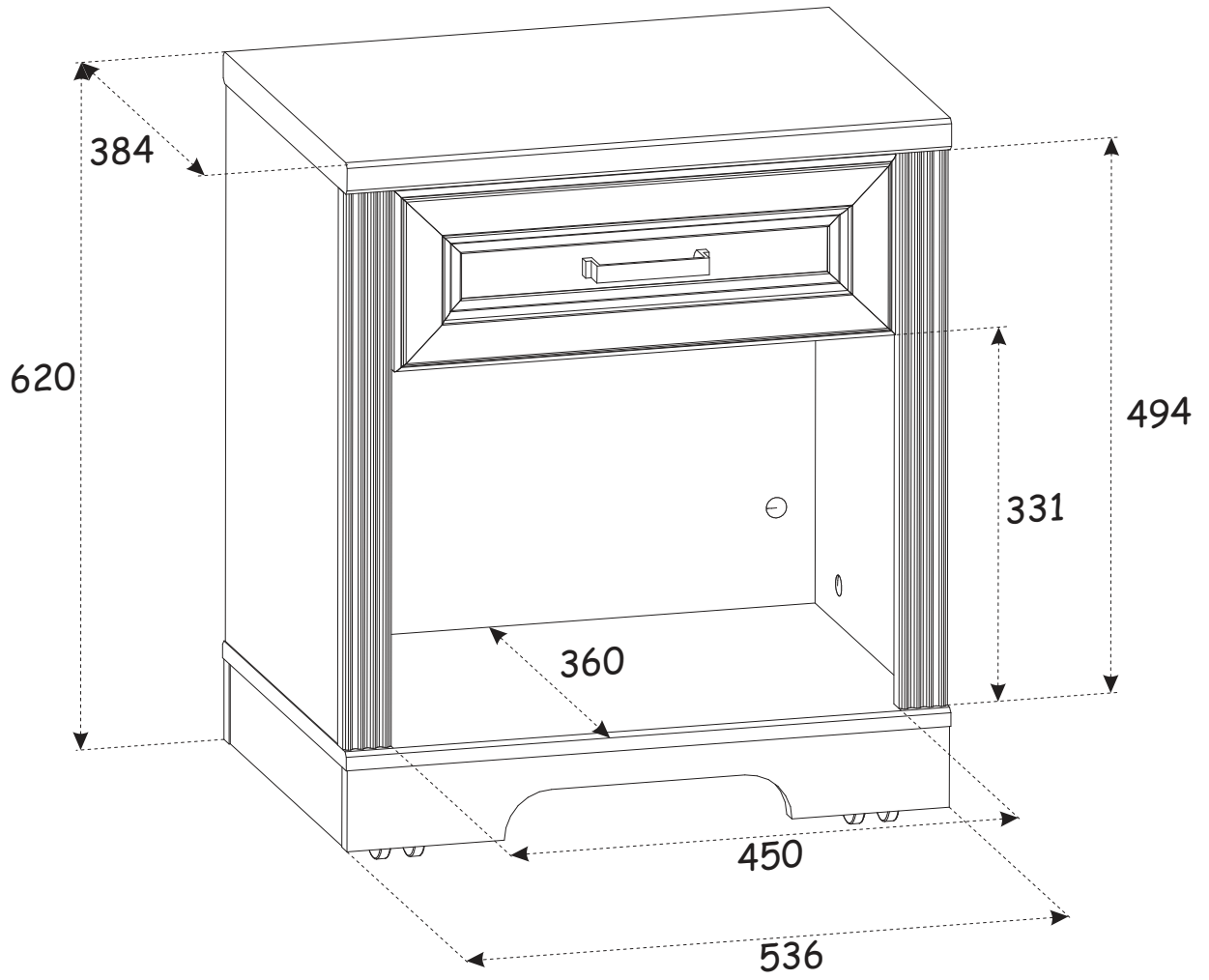


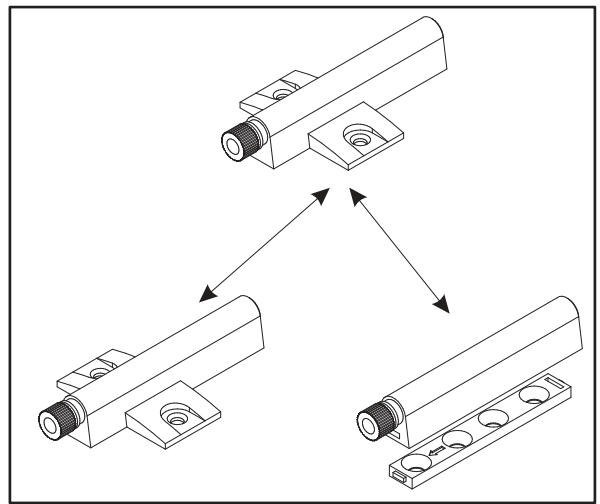
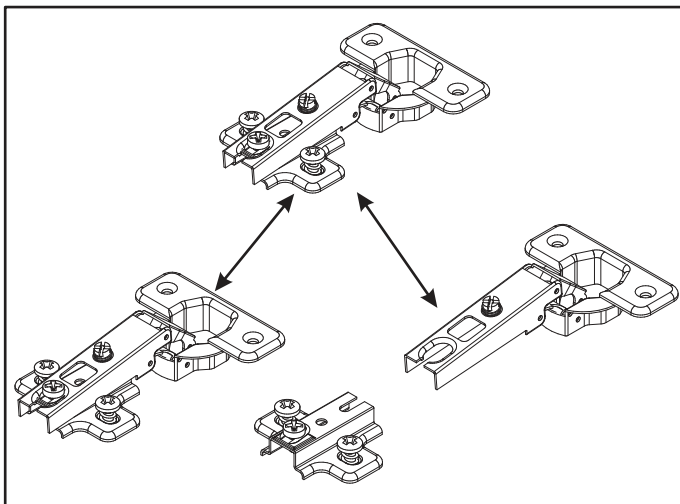
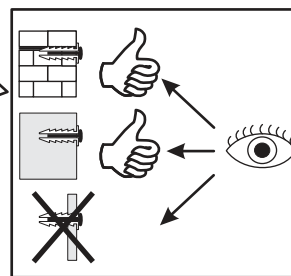
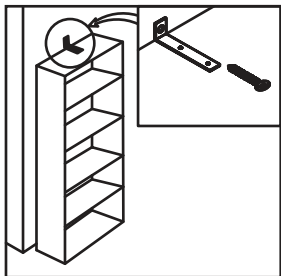
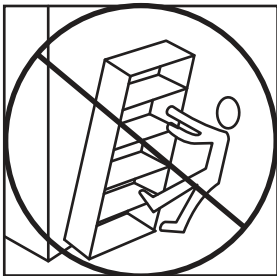
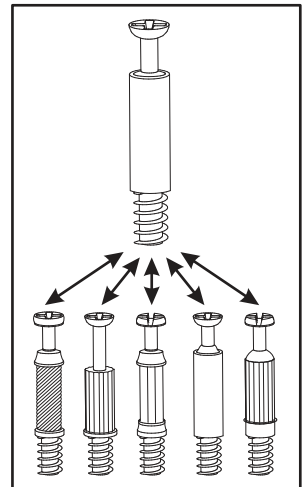
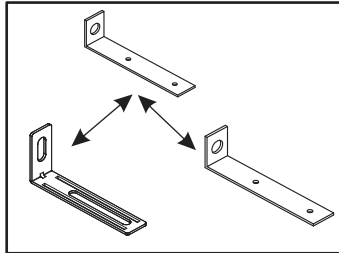
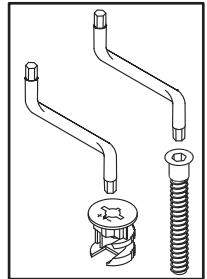
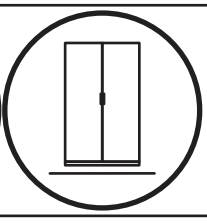
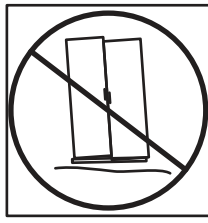
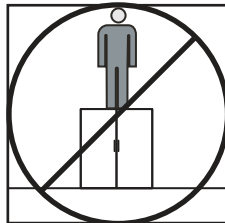
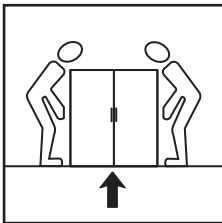
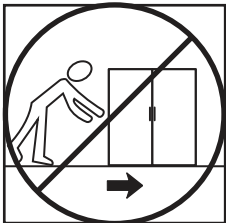
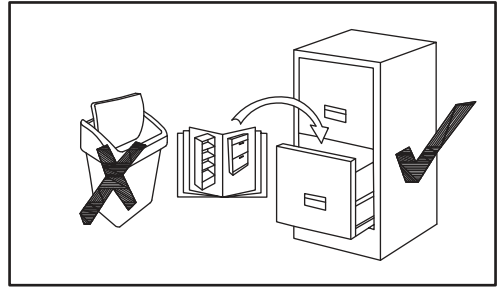
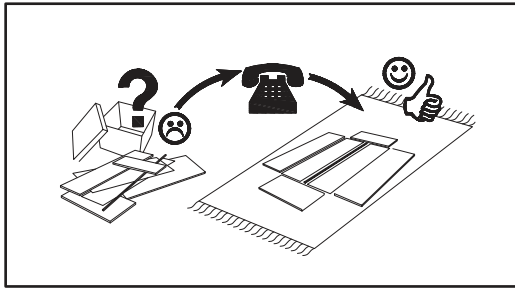
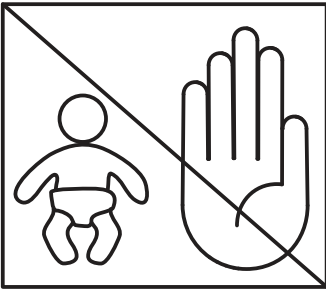
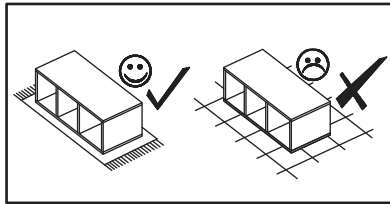
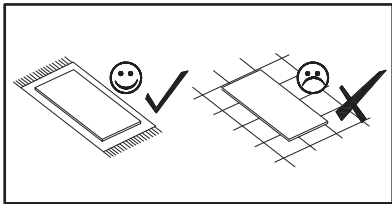
NO	Dim.			Col.-No	Qty
1	494	352	16	1	1
2	494	352	16	1	1
4	538	384	16	1	1
3	538	384	28	1	1
7	494	504	16	1	1
8	494	43	19	1	2
5	536	72	16	1	2
6	350	72	16	1	2
9	446	160	22	1	1
10	300	110	16	1	1
11	300	110	16	1	1
12	410	96	16	1	1
13	304	422	3	1	1
14	348	80	16	1	2



180 min

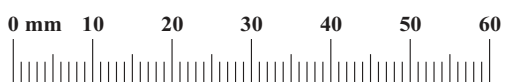




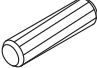



JASMIN 5K 21 -- 17

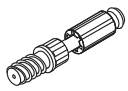
A1 x28 ø8x36	B4 x30	B5 x30 ø15x12	G5 x30	B11 x4 ø7x50	G4 x4
H1 x4	S1 x1	K16 x4 Ø50 H-65	QU x1 L-300	C19 x1	D34 x2 M4x16
D20 x4 ESØ6x9,5	EK6 x8 EKØ6,3x13	UP13 x3 UPØ3x16	UP6 x16 UPØ4x30	G2 x1	

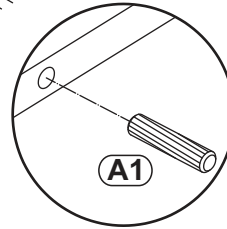
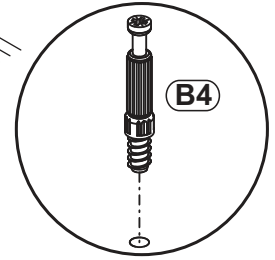
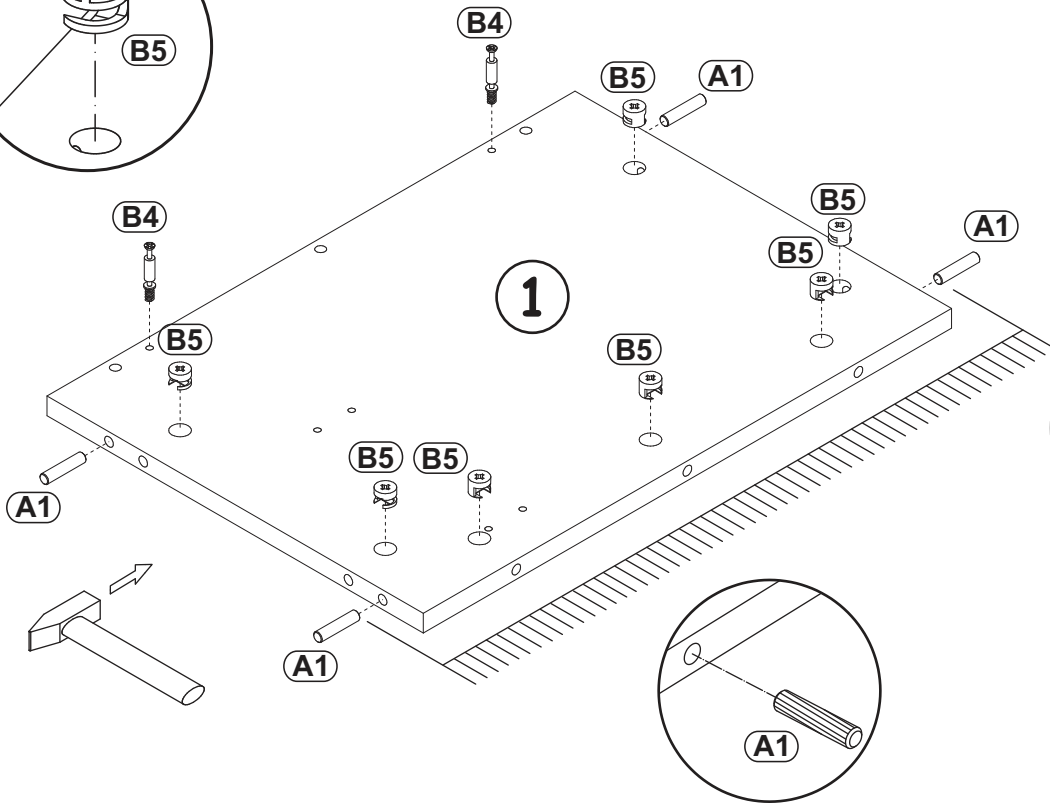
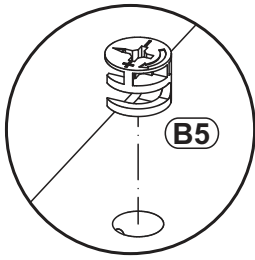


1

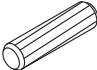
A1	
x4	ø8x36


B5	
x7	ø15x12

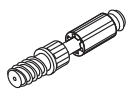
B4	
x2	

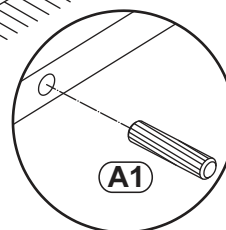
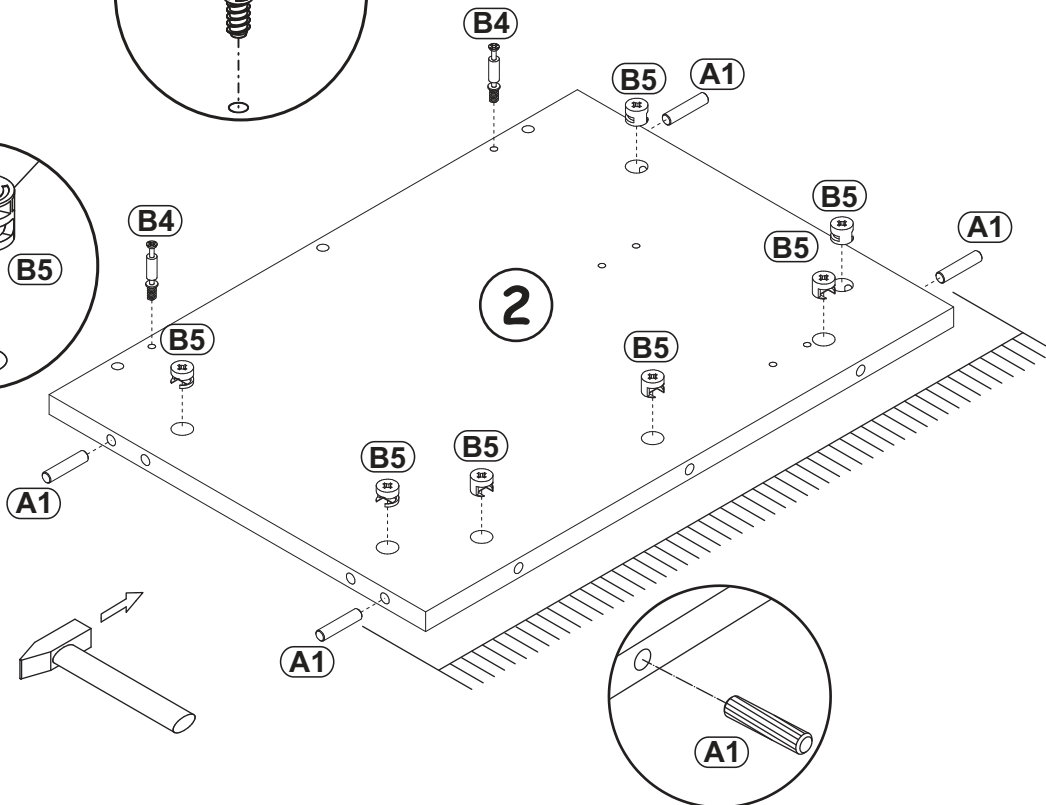
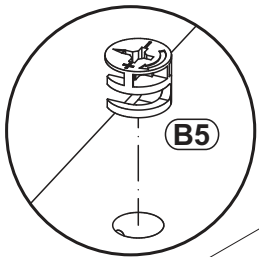
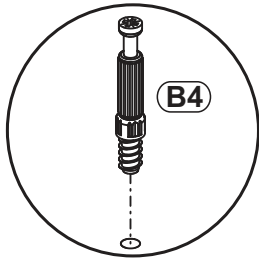


2

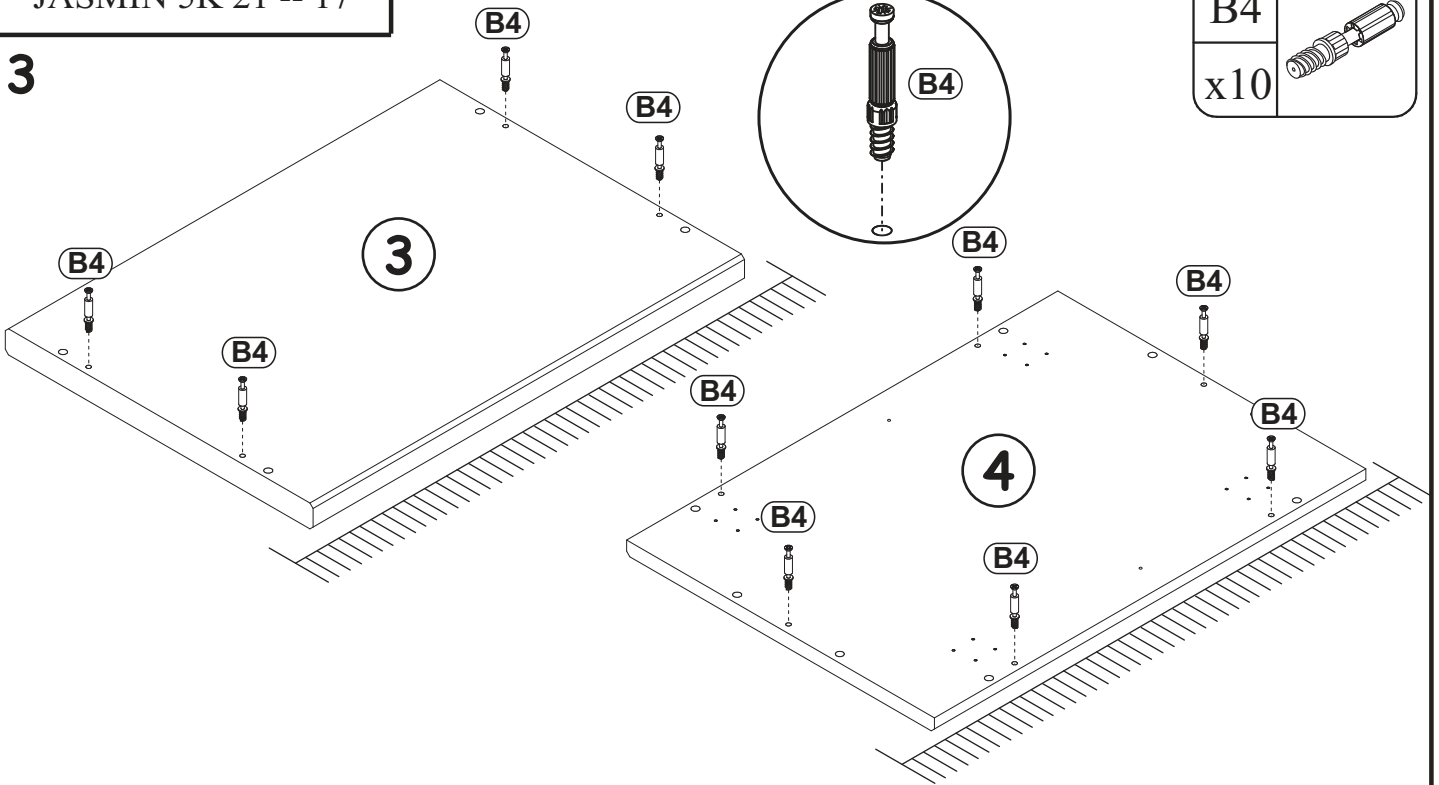
A1	
x4	ø8x36

B5	
x7	ø15x12

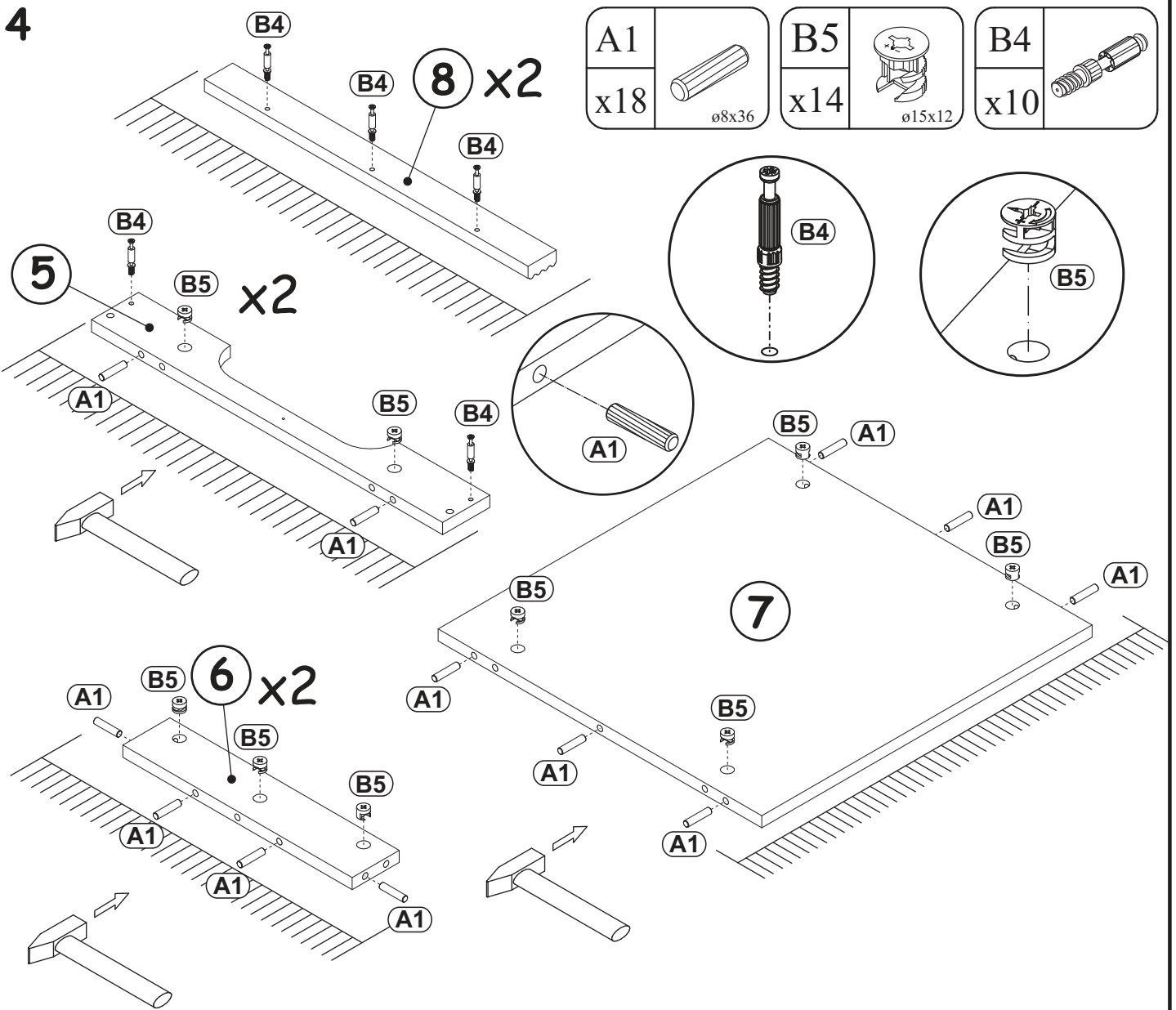
B4	
x2	



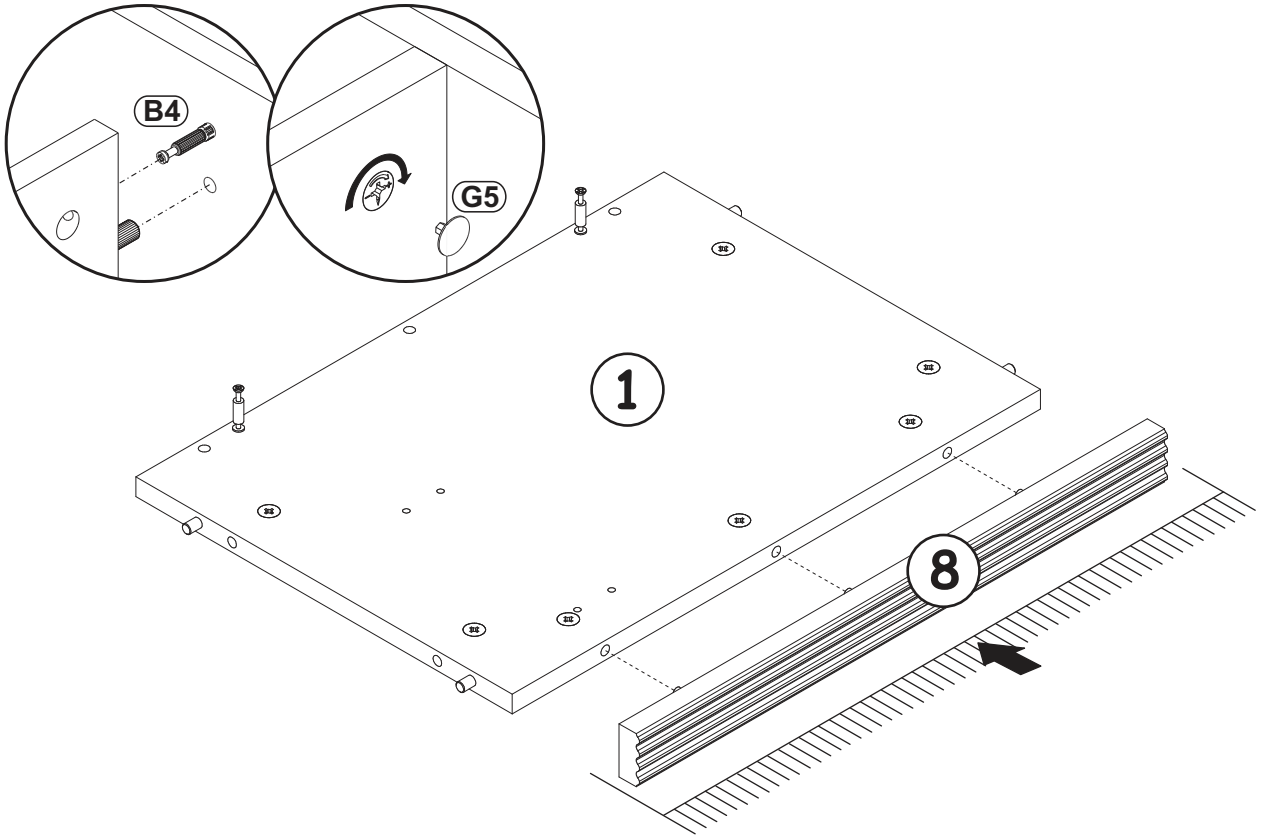
3



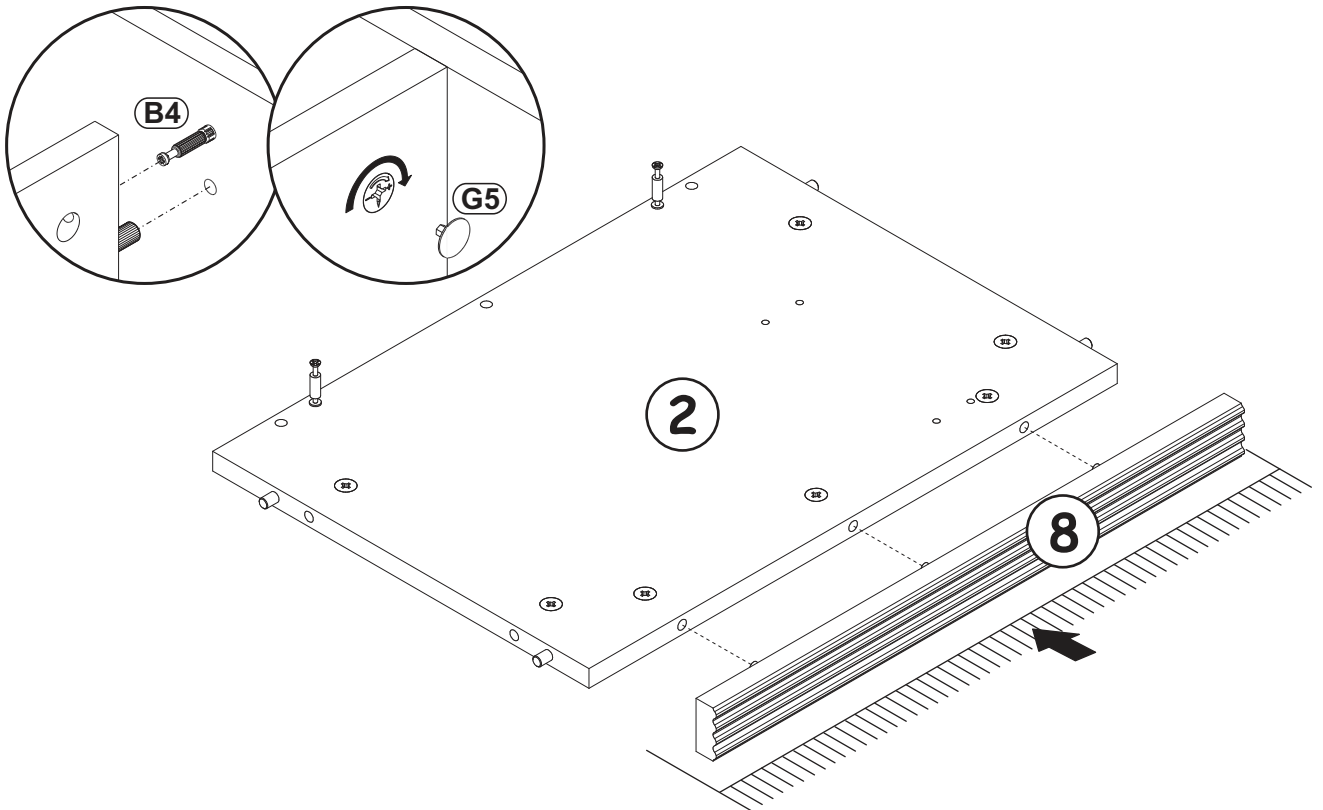
4

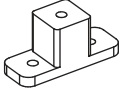



5

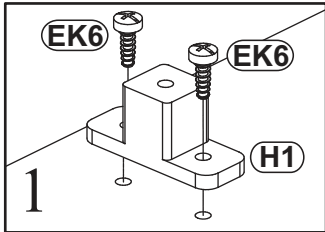
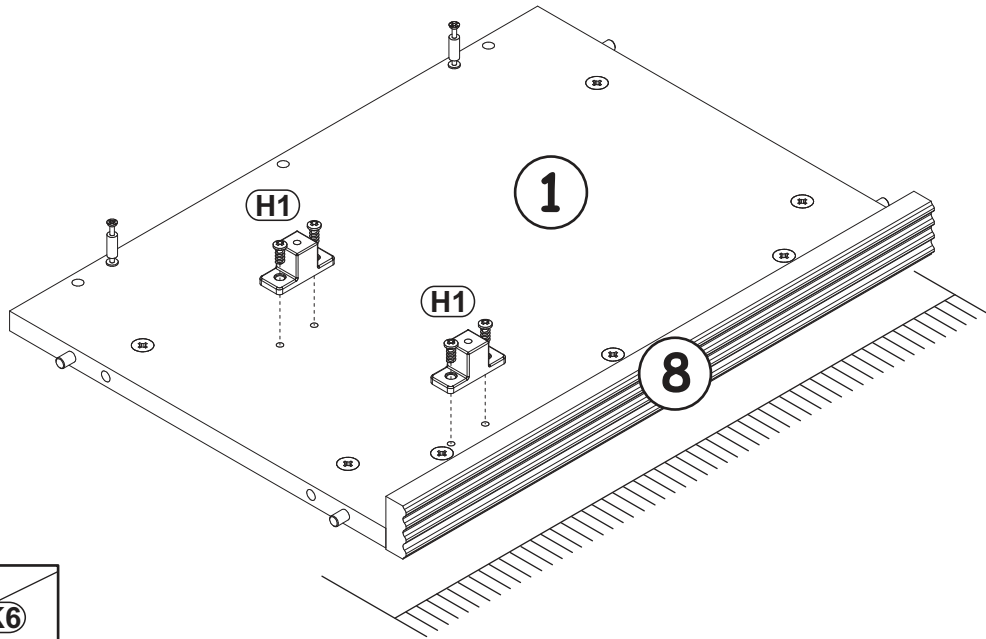


6

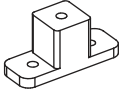



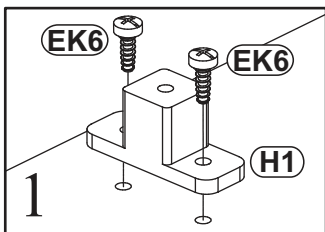
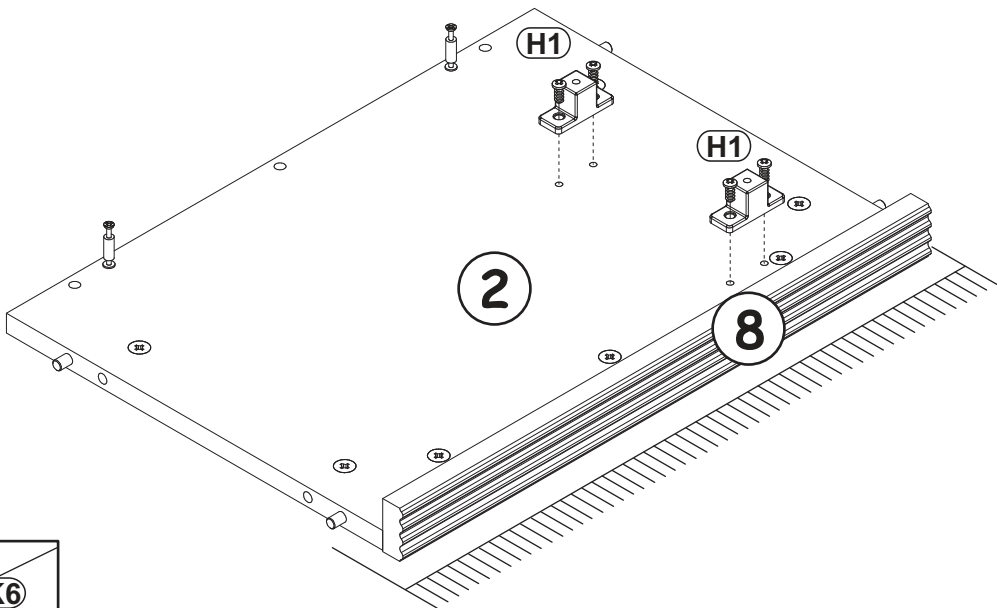
H1		EK6	
x2		x4	

7

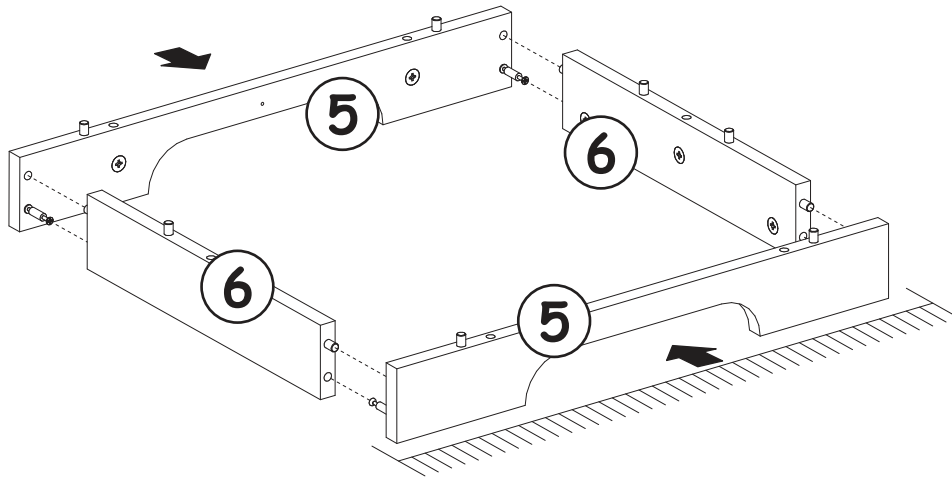



8

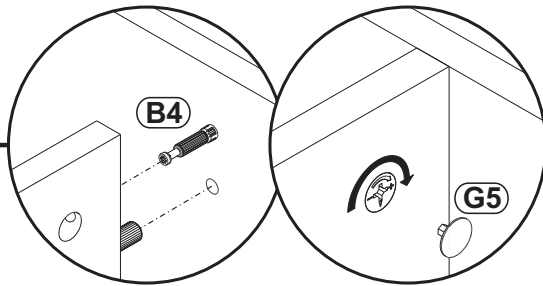
H1		EK6	
x2		x4	



9

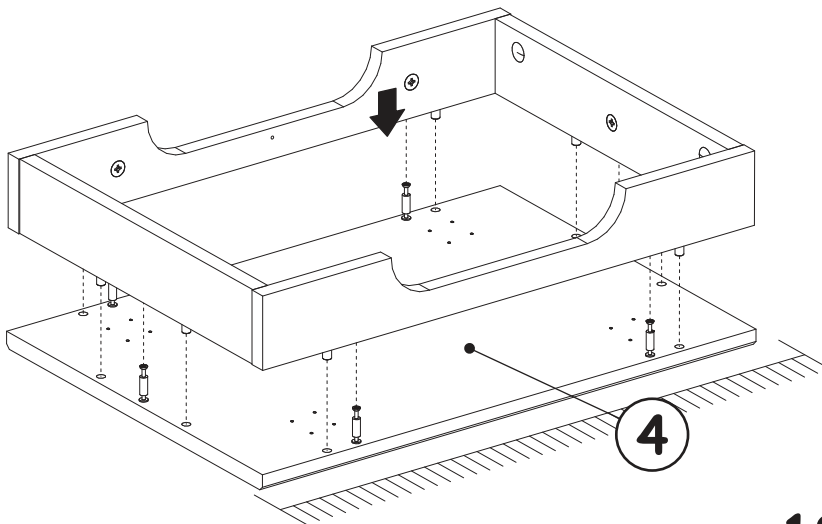



G5	
x4	



180°

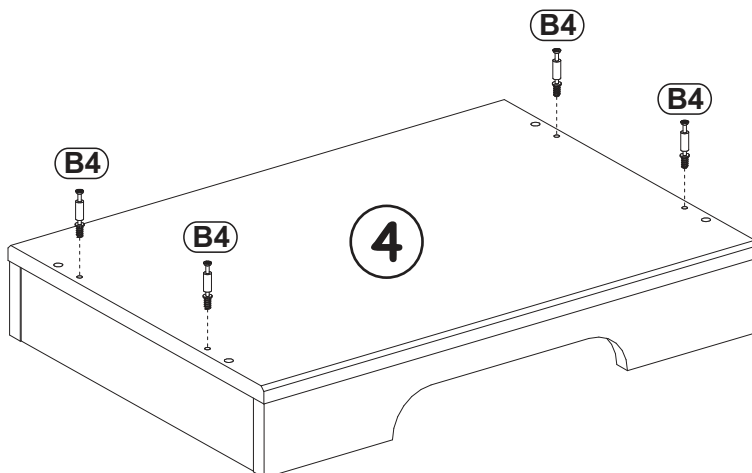
10

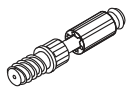


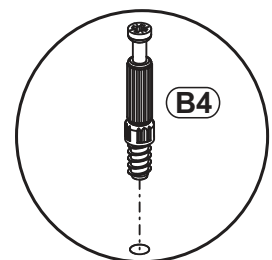
G5	
x6	

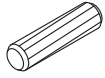
180°

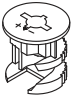
11



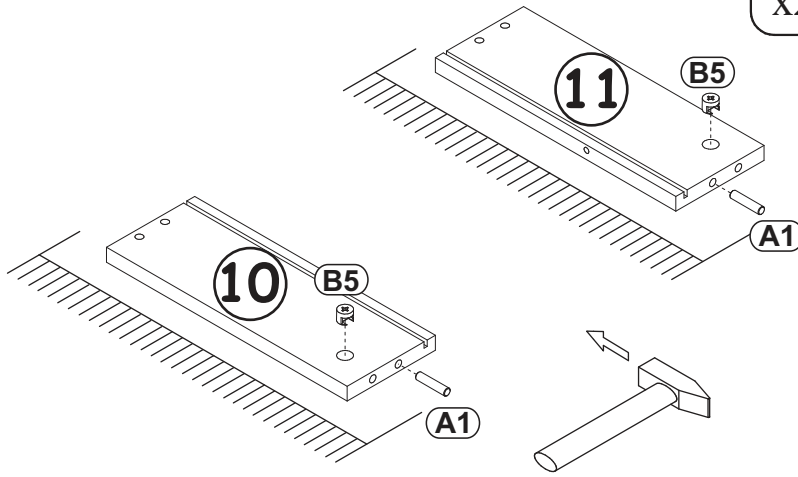
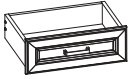
B4	
x4	



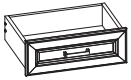
A1	
x2	ø8x36

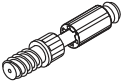
B5	
x2	ø15x12

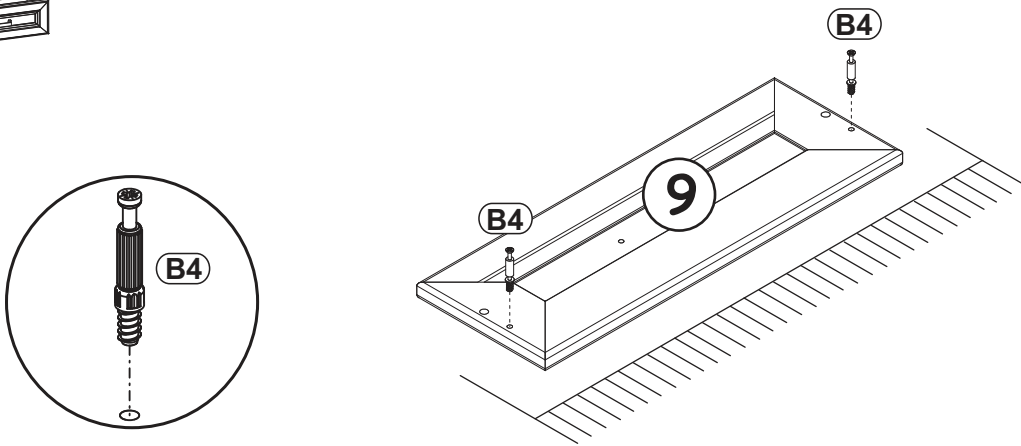
12



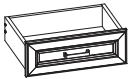
13




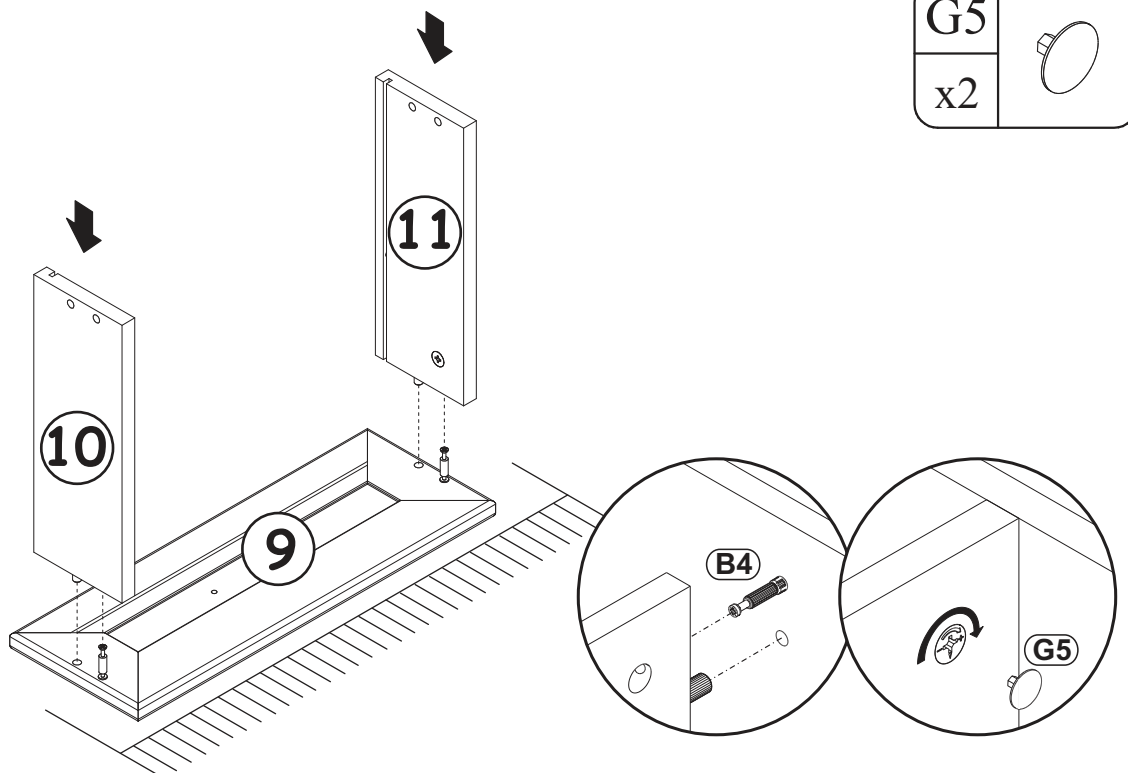
B4	
x2	



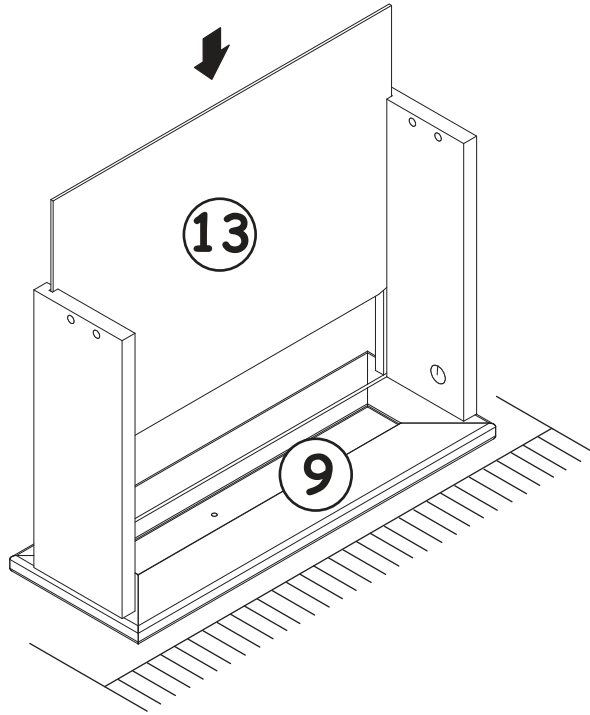
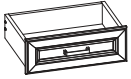
14



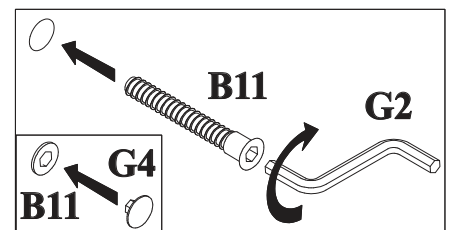
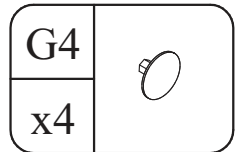
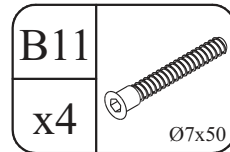
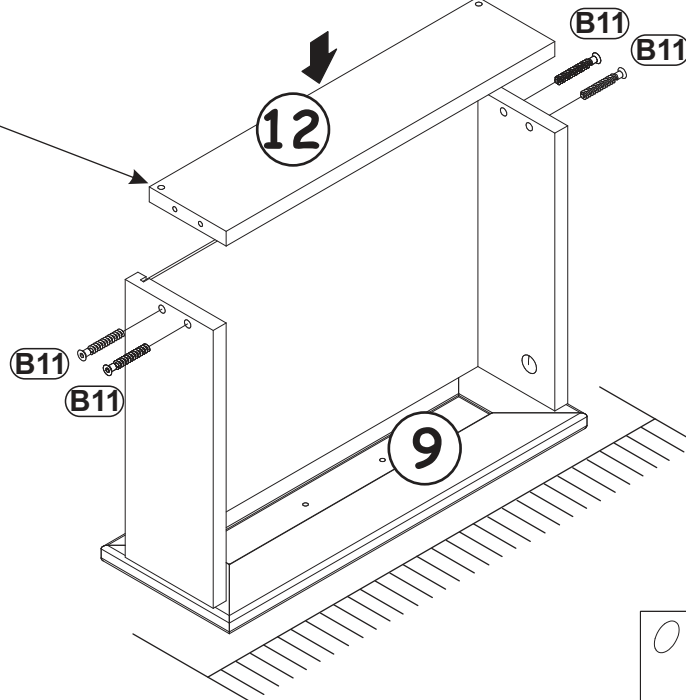
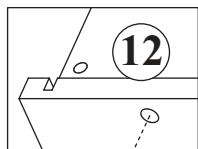
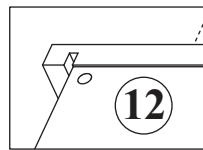
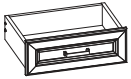
G5	
x2	



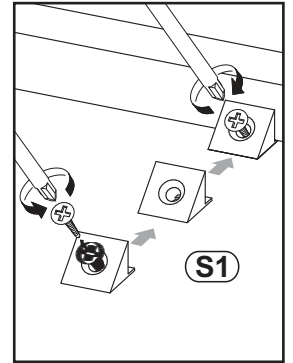
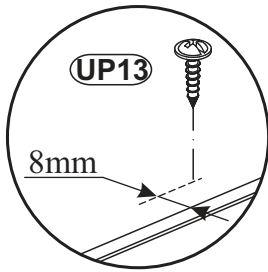
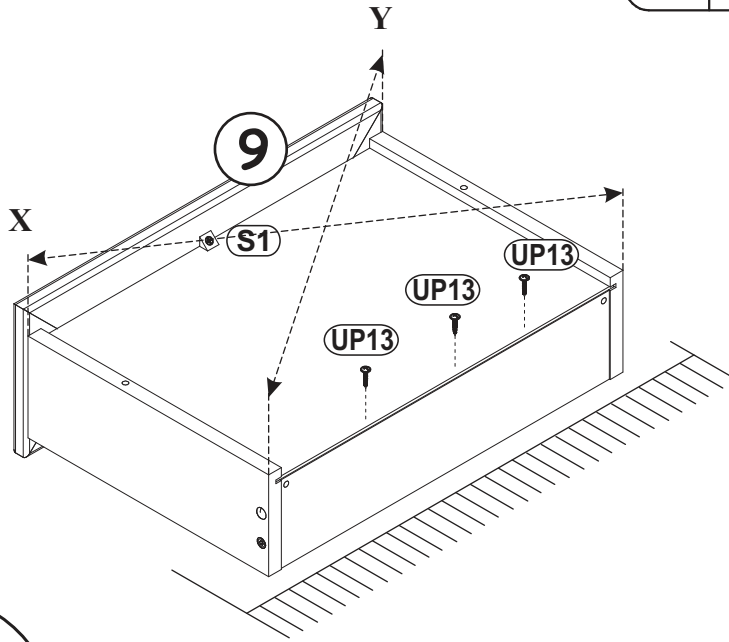
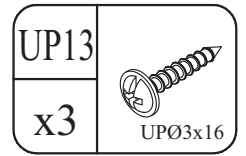
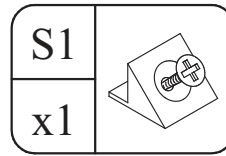
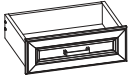
15



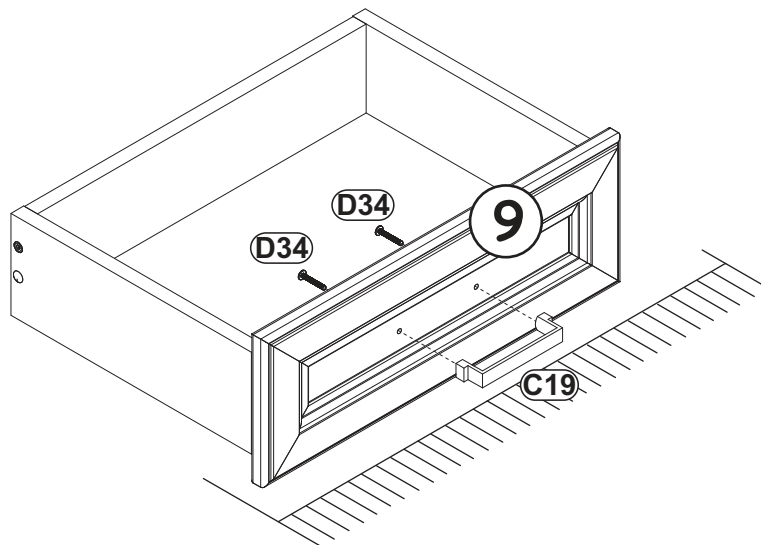
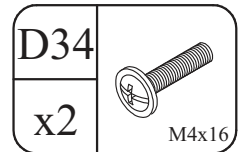
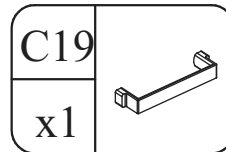
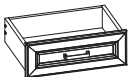
16




17

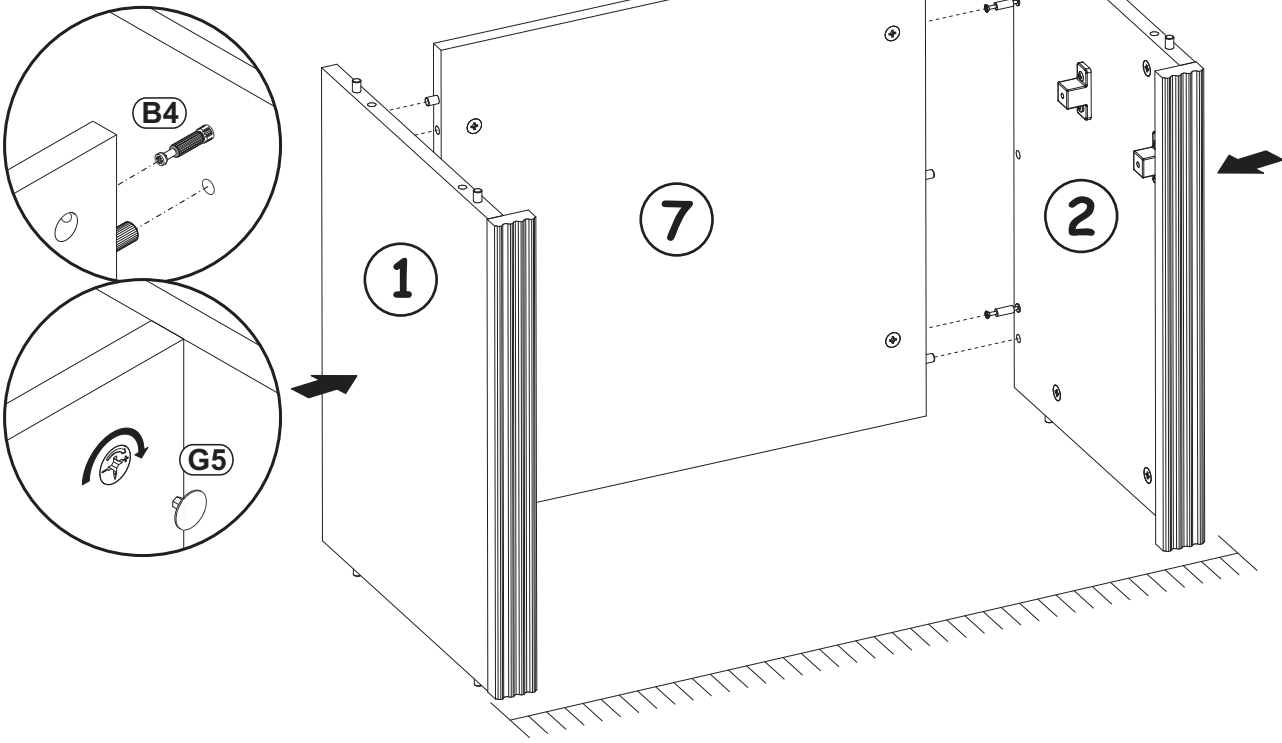


18




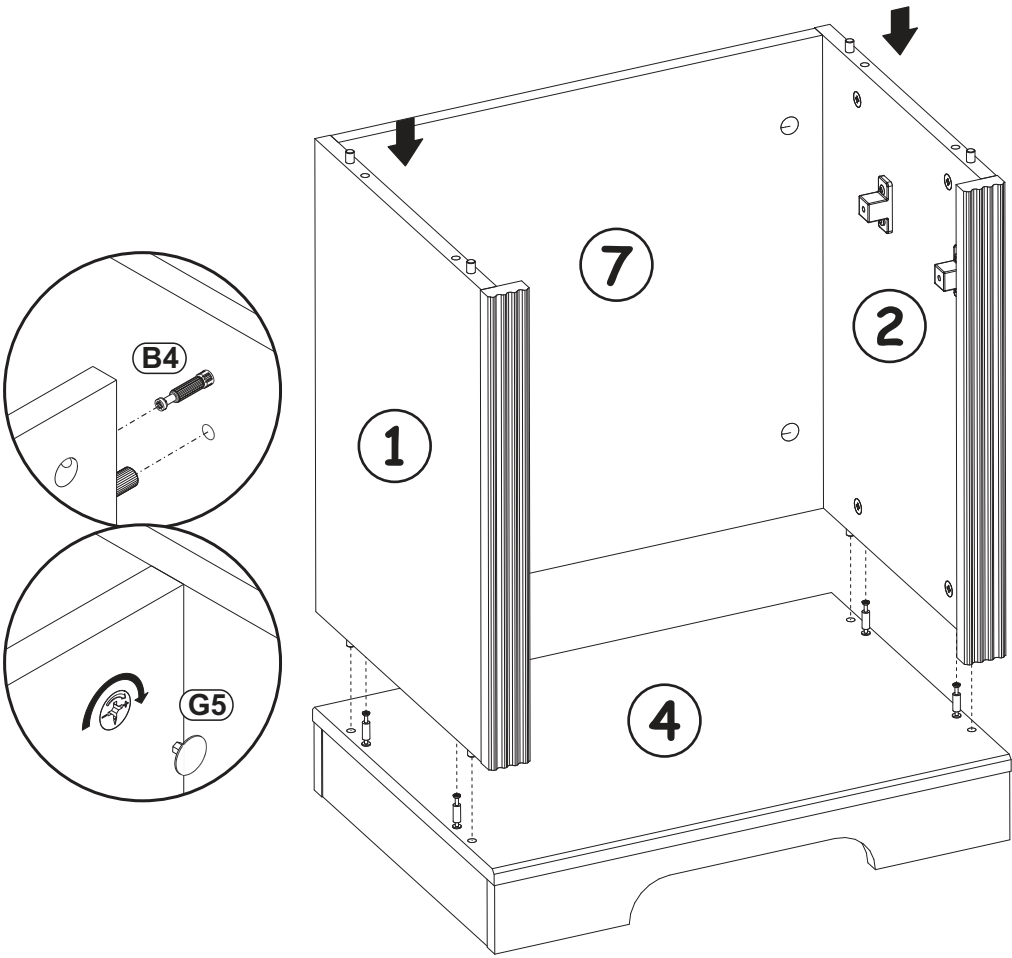
19

G5	
x4	

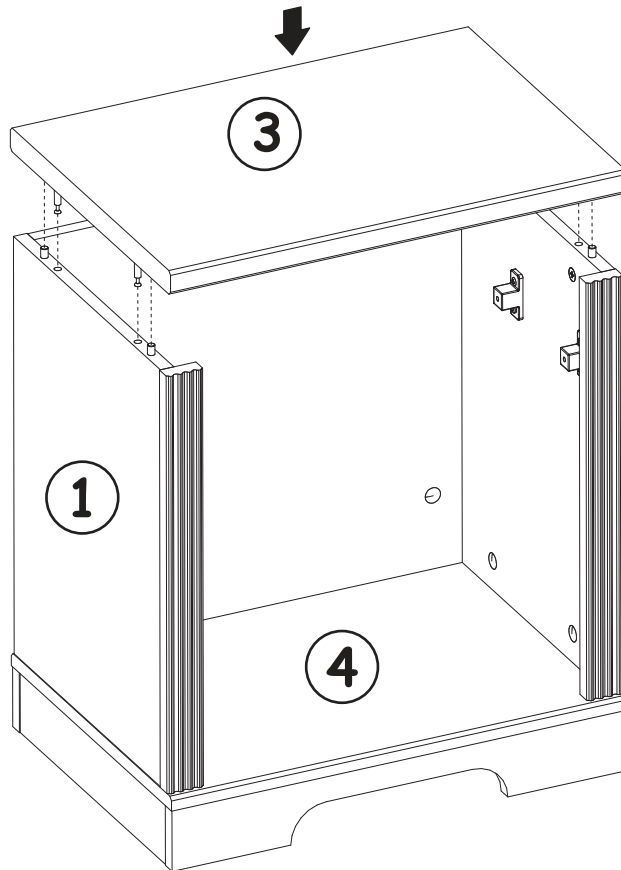
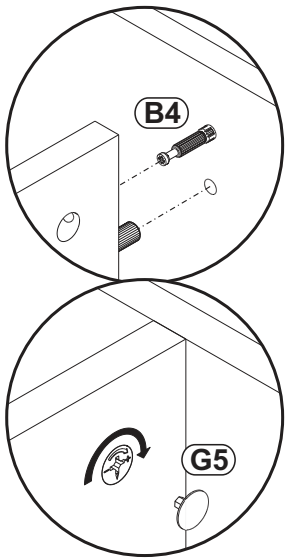


20

G5	
x4	



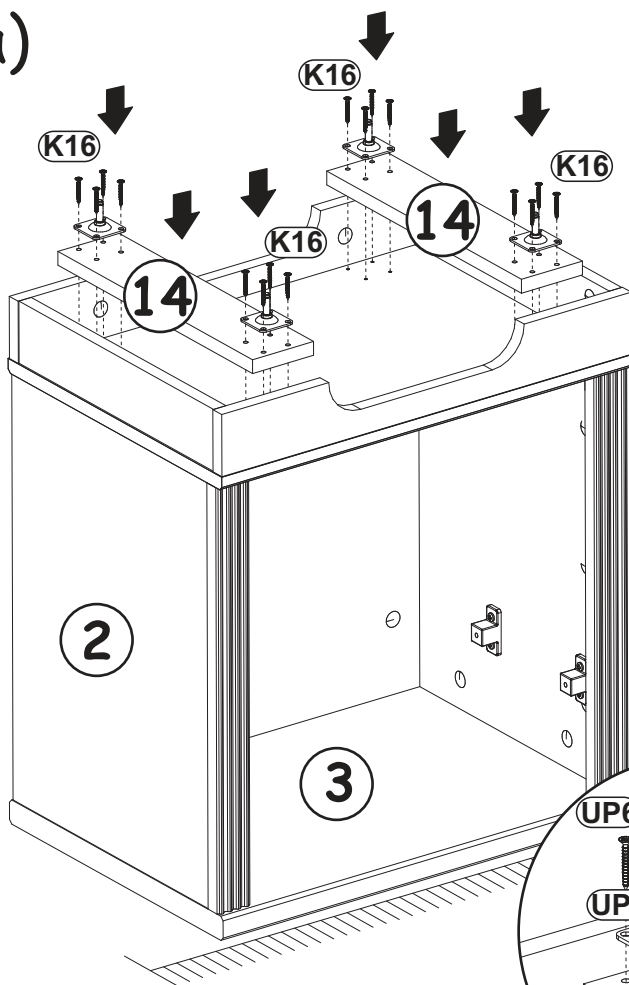
21



G5	
x4	

180°

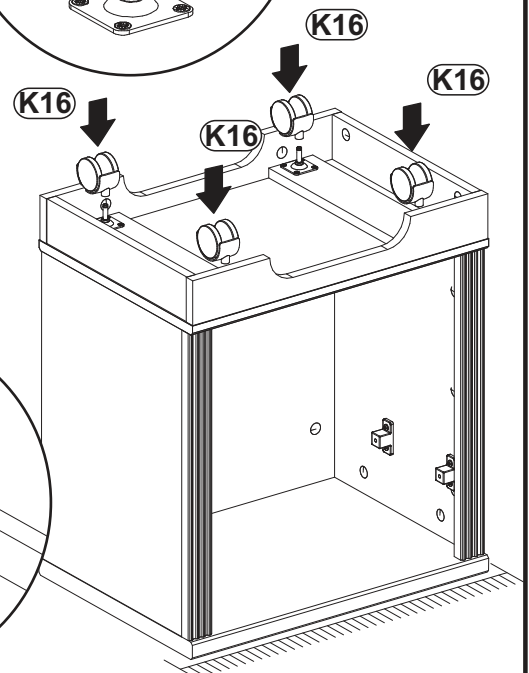
22 a)




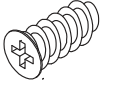
UP6	
x16	UPØ4x30

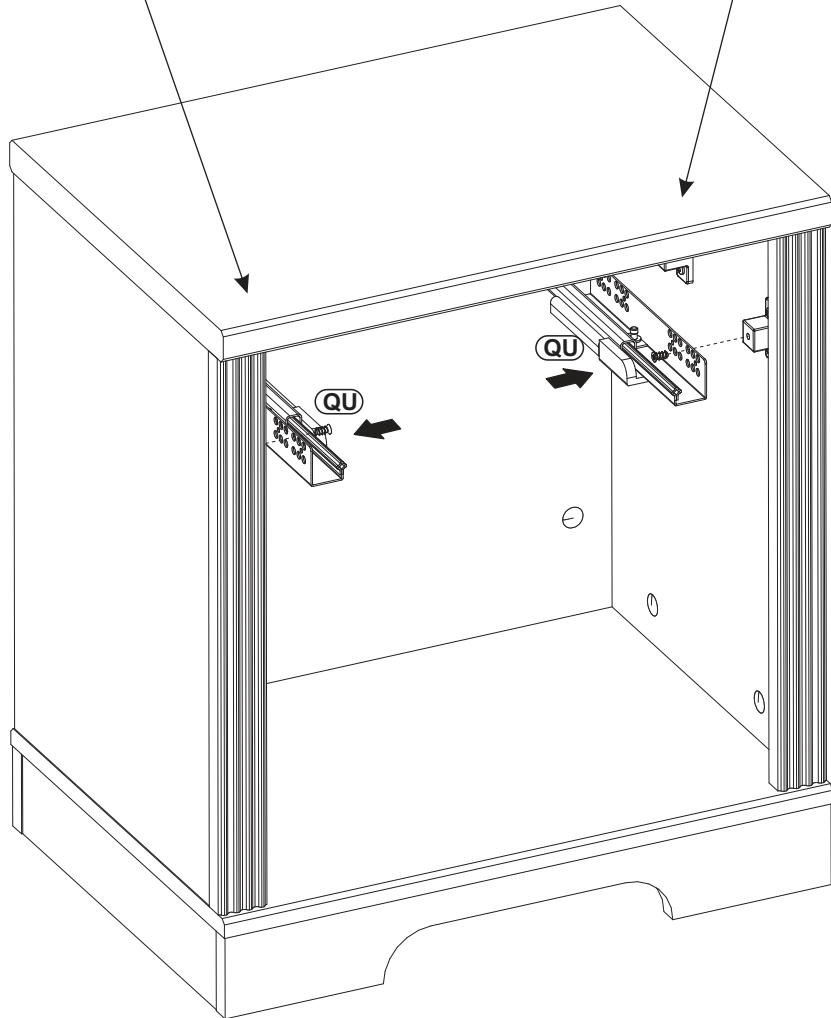
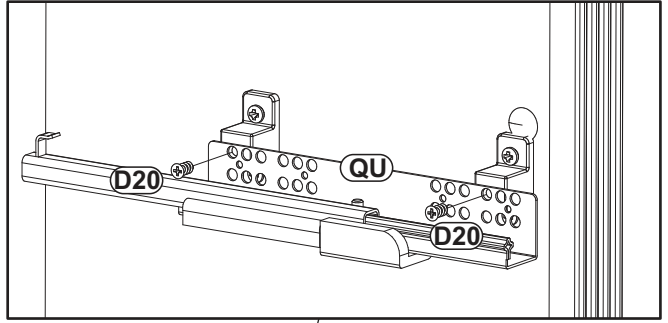
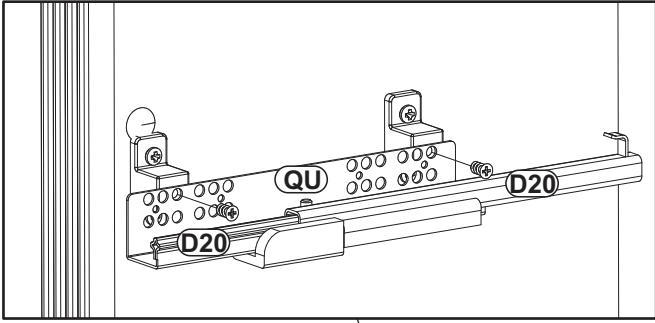
K16	
x4	Ø50 H-65

b)

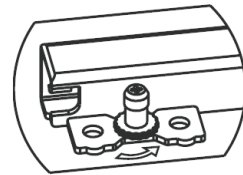
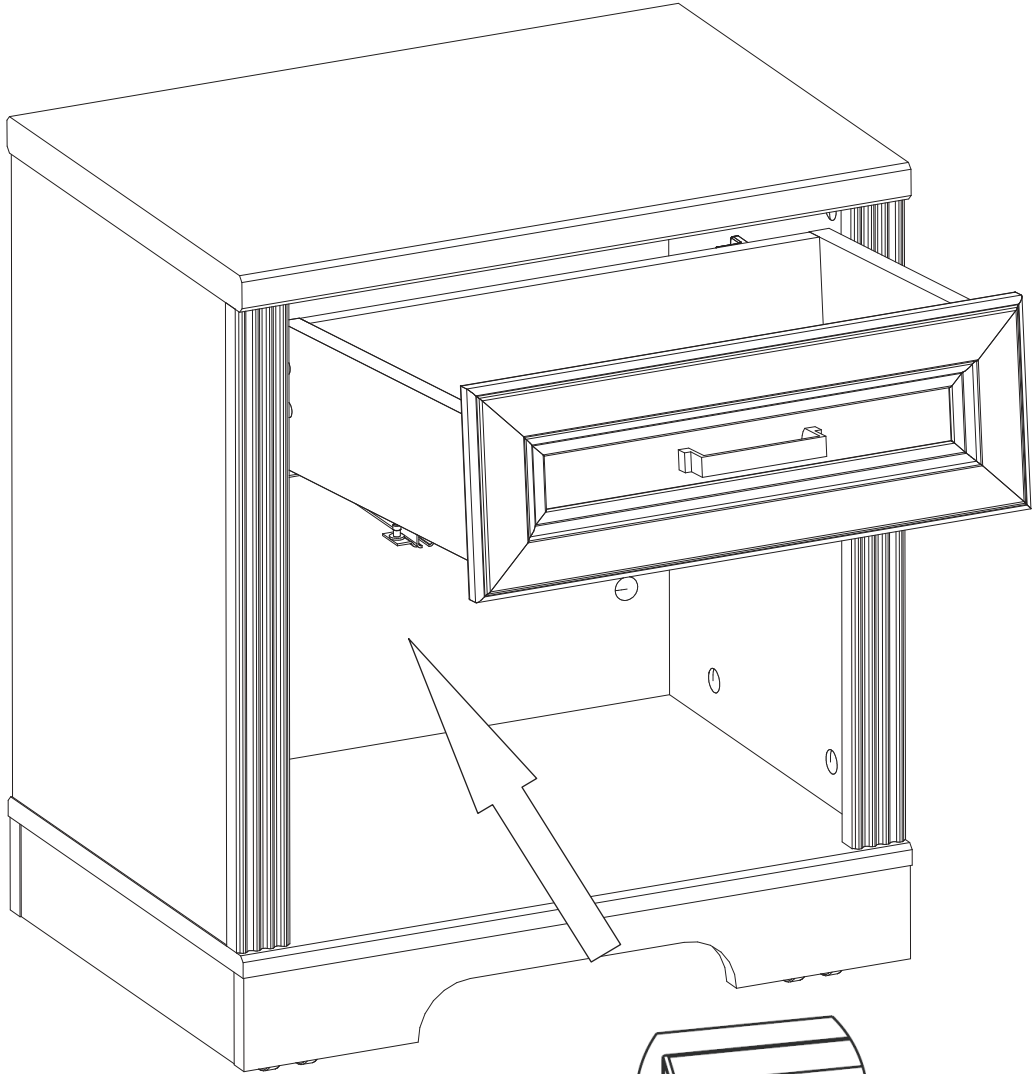
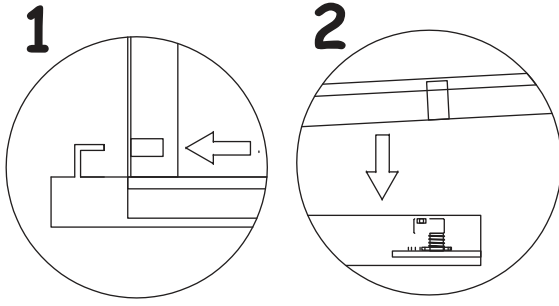


23

QU		D20	
x1	L-300	x4	ESØ6x9,5



24



↑ +4 mm